



US00RE45395E

(19) **United States**
(12) **Reissued Patent**
Fulkerson et al.

(10) **Patent Number:** **US RE45,395 E**
(45) **Date of Reissued Patent:** **Mar. 3, 2015**

(54) **NOZZLE**

(56) **References Cited**

(71) Applicants: **Terrence M. Fulkerson**, Brunswick Hills, OH (US); **Michael R. Sanner**, Amherst, OH (US); **Brian D. Mather**, North Olmsted, OH (US); **Joseph G. Shroeder**, North Royalton, OH (US); **Robert Foster, Jr.**, Twinsburg, OH (US)

U.S. PATENT DOCUMENTS

5,368,237	A	*	11/1994	Fulkerson	239/706
6,098,896	A	*	8/2000	Haruch	239/8
D462,268	S	*	9/2002	Schroeder et al.	D9/435
D469,847	S	*	2/2003	Schroeder et al.	D23/213
D499,463	S	*	12/2004	Mather	D23/213
D532,863	S	*	11/2006	Mather et al.	D23/213
D532,864	S	*	11/2006	Mather et al.	D23/213
2005/0126476	A1		6/2005	Shutic et al.		

(72) Inventors: **Terrence M. Fulkerson**, Brunswick Hills, OH (US); **Michael R. Sanner**, Amherst, OH (US); **Brian D. Mather**, North Olmsted, OH (US); **Joseph G. Shroeder**, North Royalton, OH (US); **Robert Foster, Jr.**, Twinsburg, OH (US)

* cited by examiner

Primary Examiner — Phillip S Hyder

(74) *Attorney, Agent, or Firm* — Calfee, Halter, Griswold LLP

(73) Assignee: **Nordson Corporation**, Westlake, OH (US)

(57) **CLAIM**

The ornamental design for a nozzle, as shown and described.

(21) Appl. No.: **29/479,592**

DESCRIPTION

(22) Filed: **Jan. 17, 2014**

Related U.S. Patent Documents

Reissue of:

(64) Patent No.: **Des. 568,439**
Issued: **May 6, 2008**
Appl. No.: **29/286,518**
Filed: **May 9, 2007**

FIG. 1 is a perspective view of a nozzle of the new design; FIG. 2 is a front elevational view of the nozzle of FIG. 1; FIG. 3 is a left side elevational view of the nozzle of FIG. 1; FIG. 4 is a right side elevational view of the nozzle of FIG. 1; FIG. 5 is a top plan view of the nozzle of FIG. 1; and, FIG. 6 is a bottom plan view of the nozzle of FIG. 1. The portions of the Figures shown in broken lines are not part of the claimed design and are for illustration only.

(51) **LOC (10) Cl.** **23-01**

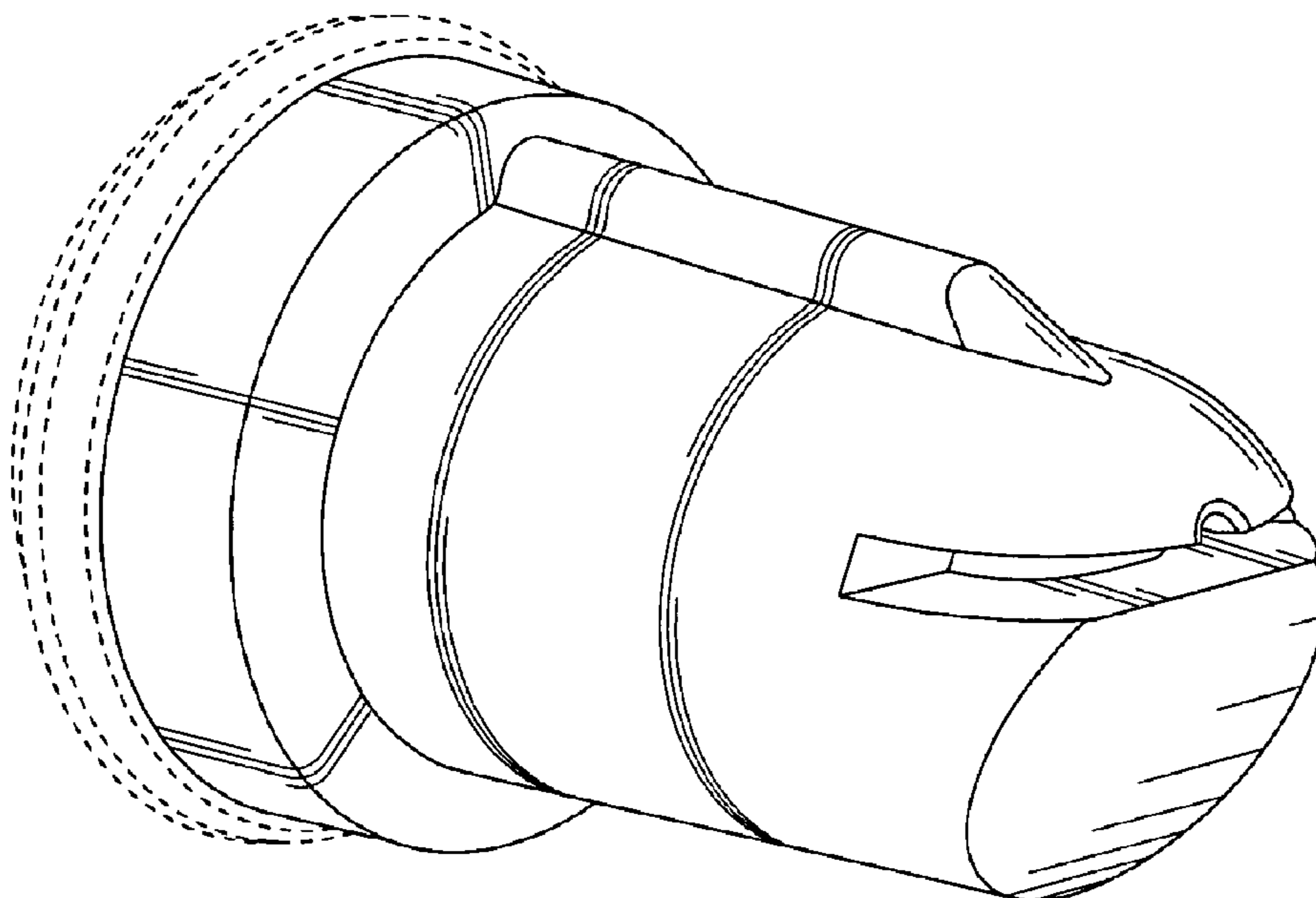
(52) **U.S. Cl.**
USPC **D23/213**

1 Claim, 3 Drawing Sheets

(58) **Field of Classification Search**
USPC D23/213; D8/14.1; D24/112; 118/308;
239/390, 599, 601

See application file for complete search history.

Matter enclosed in heavy brackets [] appears in the original patent but forms no part of this reissue; matter printed in italics indicates the additions made by reissue.



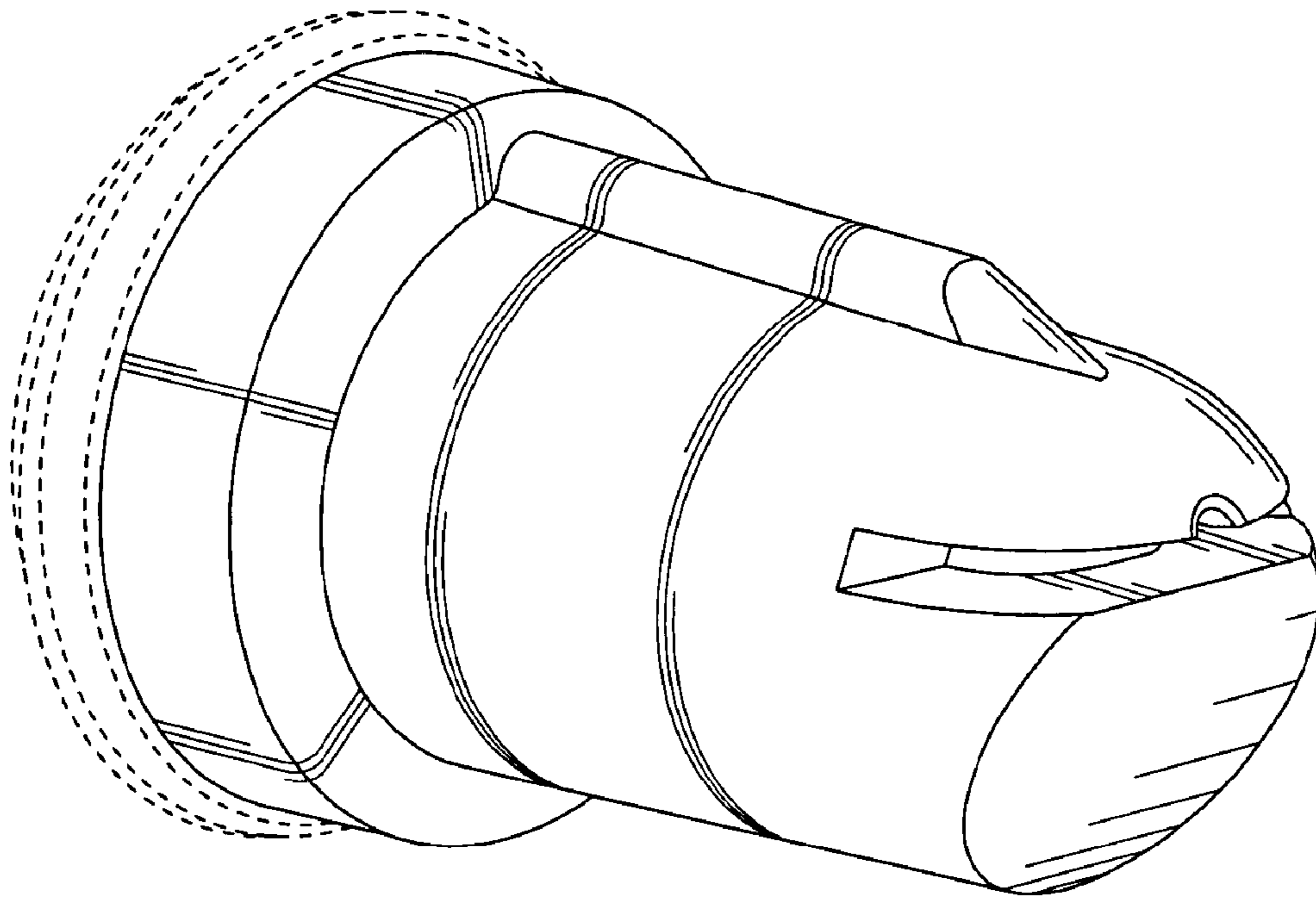


FIG. 1

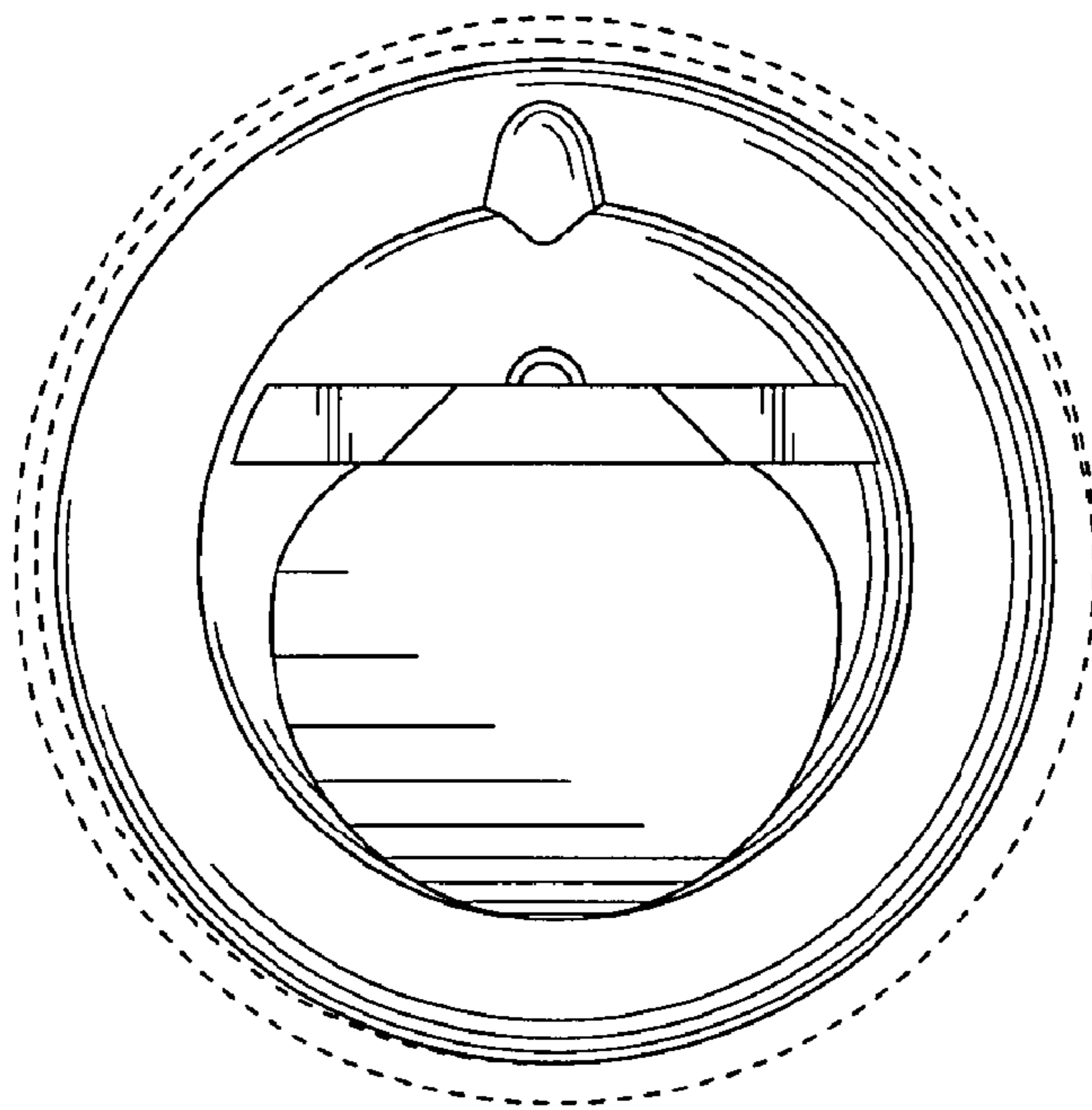


FIG. 2

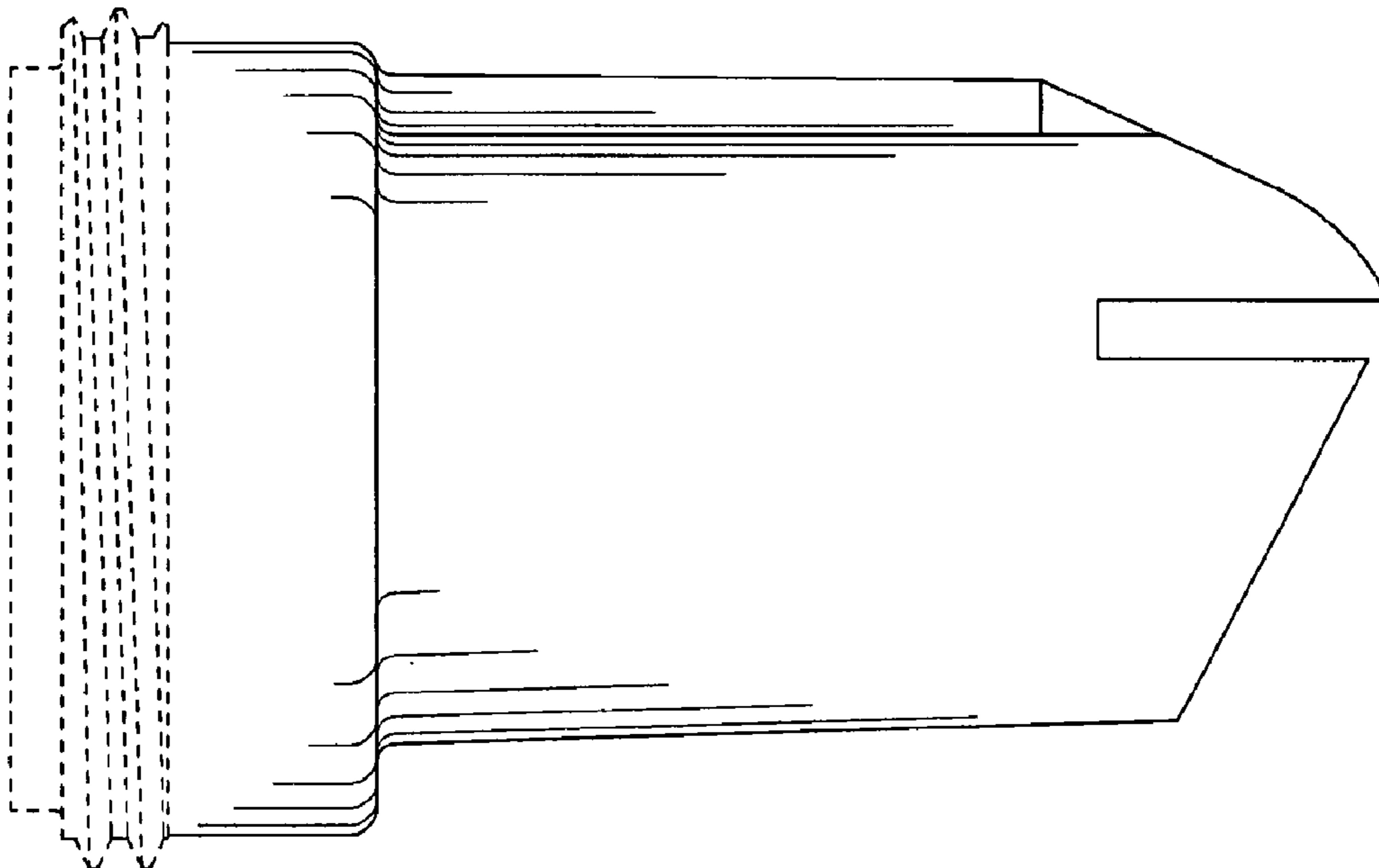


FIG. 3

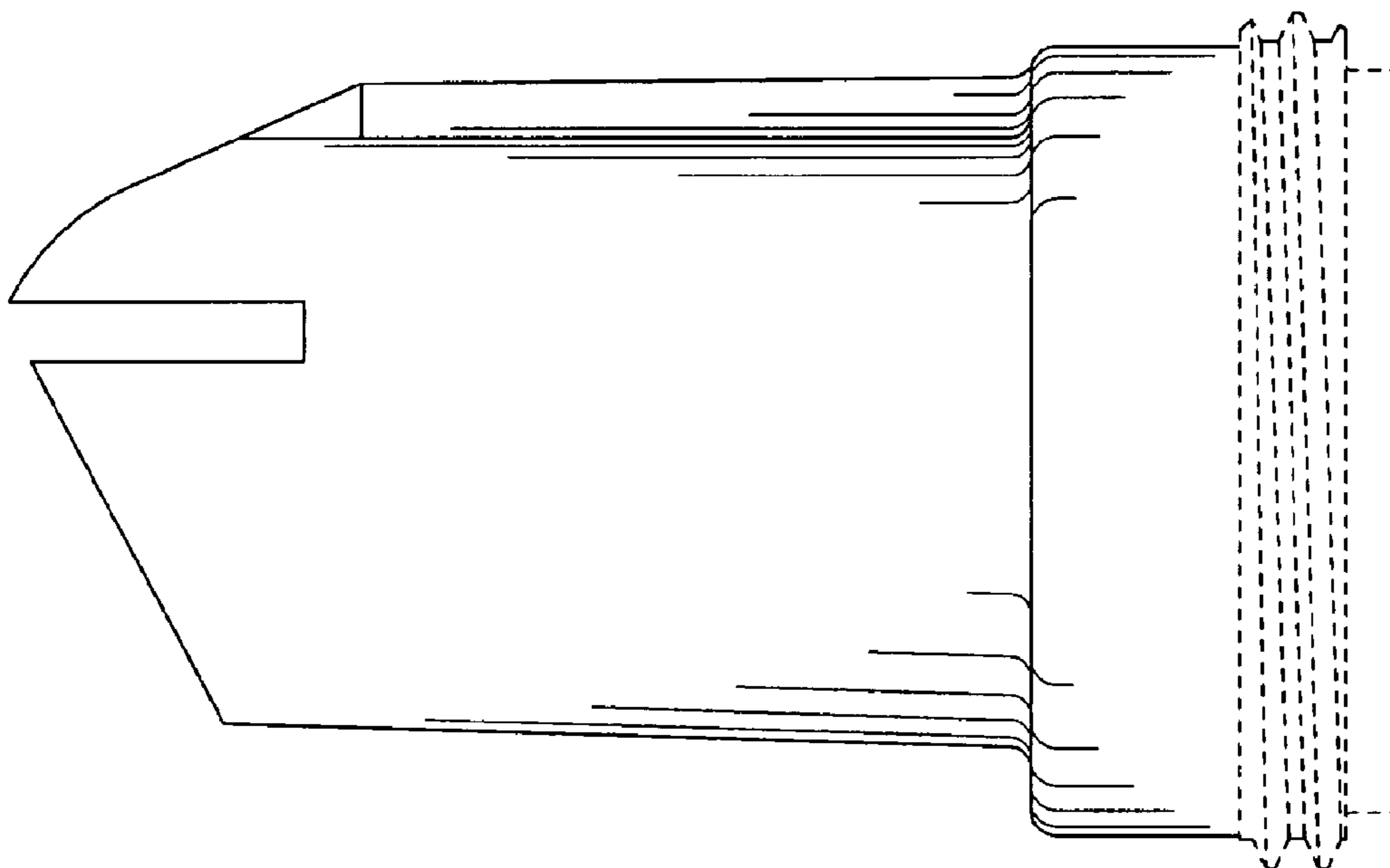


FIG. 4

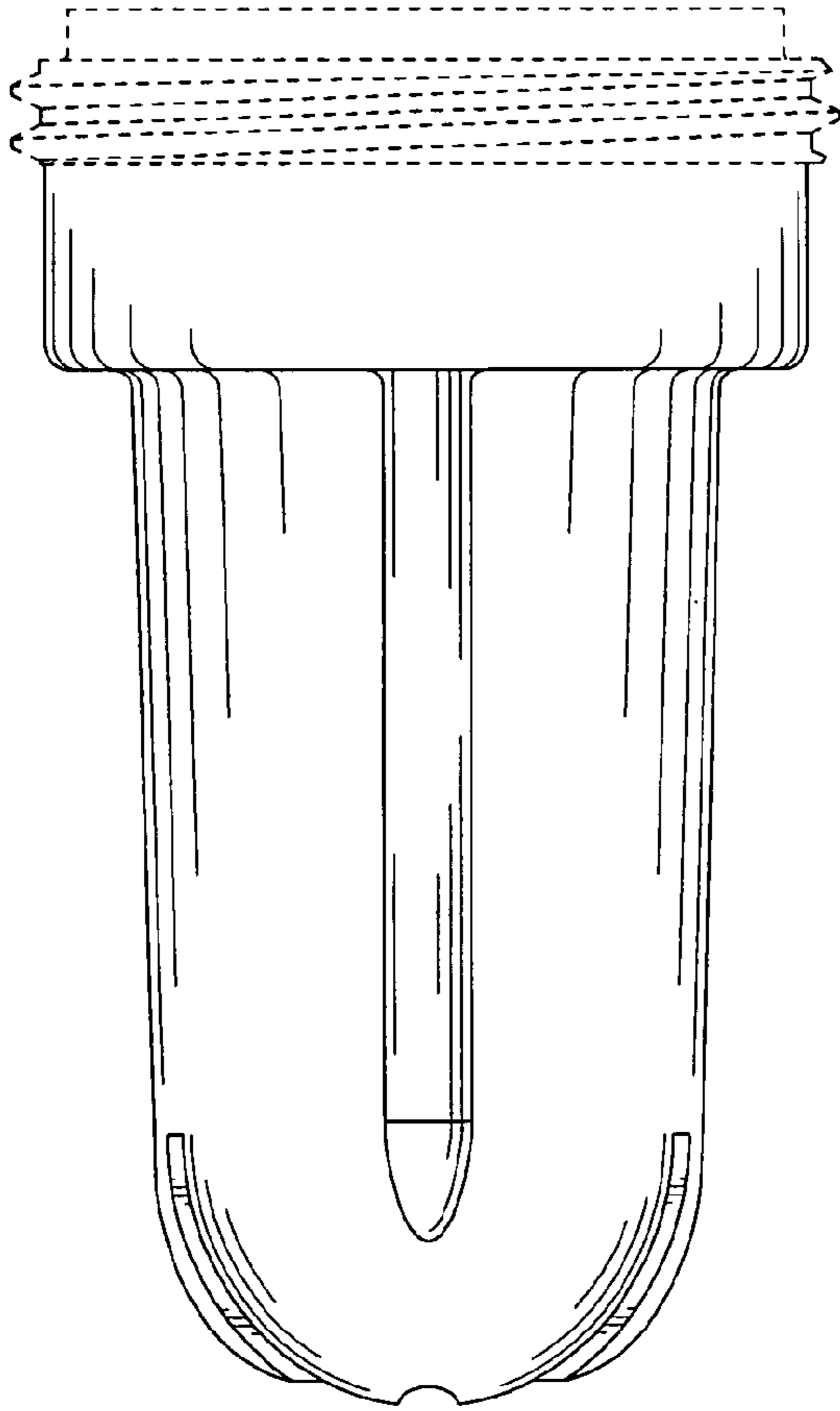


FIG. 5

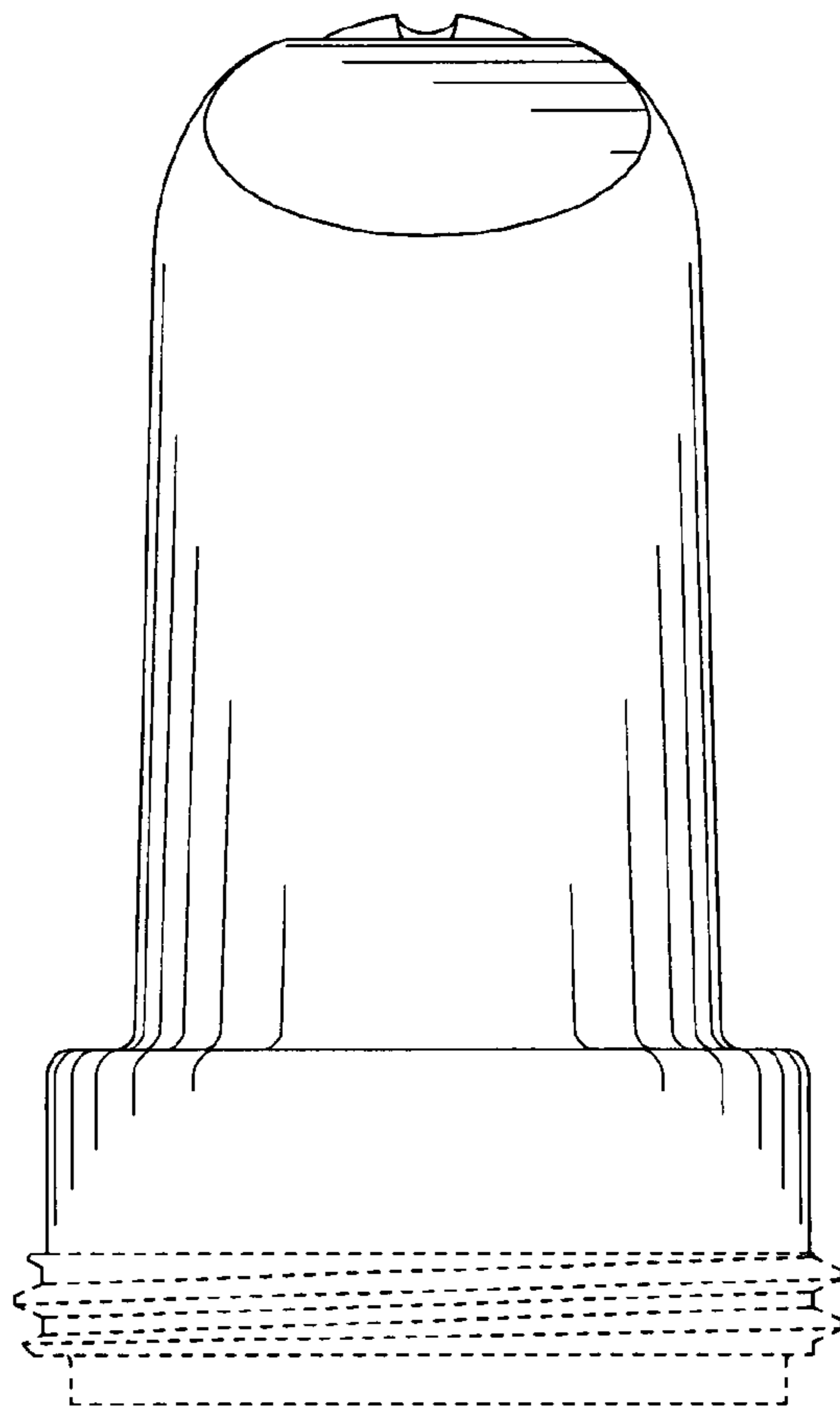


FIG. 6