



US00RE45305E

(19) **United States**
(12) **Reissued Patent**
Tsai

(10) **Patent Number:** **US RE45,305 E**
(45) **Date of Reissued Patent:** ***Dec. 30, 2014**

(54) **DEVICE FOR REPROGRAMMING THE FUNCTION OF A DISPLAY SYSTEM**

(71) Applicant: **Novatek Microelectronics Corp.**,
Hsinchu (TW)

(72) Inventor: **Te-Hsiu Tsai**, Taipei (TW)

(73) Assignee: **Novatek Microelectronics Corp.**,
Hsinchu (TW)

(*) Notice: This patent is subject to a terminal disclaimer.

(21) Appl. No.: **13/904,463**

(22) Filed: **May 29, 2013**

Related U.S. Patent Documents

Reissue of:

(64) Patent No.: **6,697,058**
Issued: **Feb. 24, 2004**
Appl. No.: **10/418,435**
Filed: **Apr. 17, 2003**

U.S. Applications:

(63) Continuation of application No. 12/906,031, filed on Oct. 15, 2010, now Pat. No. Re. 44,388, which is a continuation of application No. 12/243,919, filed on Oct. 1, 2008, now Pat. No. Re. 41,966, which is a continuation of application No. 11/361,038, filed on Feb. 22, 2006, now Pat. No. Re. 40,574, which is an application for the reissue of Pat. No. 6,697,058, which is a continuation-in-part of application No. 09/543,008, filed on Apr. 4, 2000, now Pat. No. 6,577,301, and a continuation-in-part of application No. 09/575,890, filed on May 22, 2000, now Pat. No. 6,661,411, which is a continuation of application No. 09/414,251, filed on Oct. 7, 1999, now Pat. No. 6,295,053.

(30) **Foreign Application Priority Data**

Jul. 19, 1999 (TW) 88112204 A
Dec. 16, 1999 (TW) 88122129 A

(51) **Int. Cl.**
G09G 5/00 (2006.01)

(52) **U.S. Cl.**
USPC **345/204**; 345/10; 345/27; 345/213;
345/214; 348/575

(58) **Field of Classification Search**
USPC 345/204, 10, 27, 213, 214; 348/91, 92,
348/178, 184, 192, 575; 725/132, 140
See application file for complete search history.

(56) **References Cited**

U.S. PATENT DOCUMENTS

6,011,546 A * 1/2000 Bertram 345/700
6,268,845 B1 * 7/2001 Pariza et al. 345/581
6,295,053 B1 * 9/2001 Tsai et al. 345/204
6,302,795 B1 * 10/2001 Ito 463/29
6,525,667 B1 * 2/2003 Fujita et al. 340/815.4
6,567,845 B1 * 5/2003 Chatani 709/208

* cited by examiner

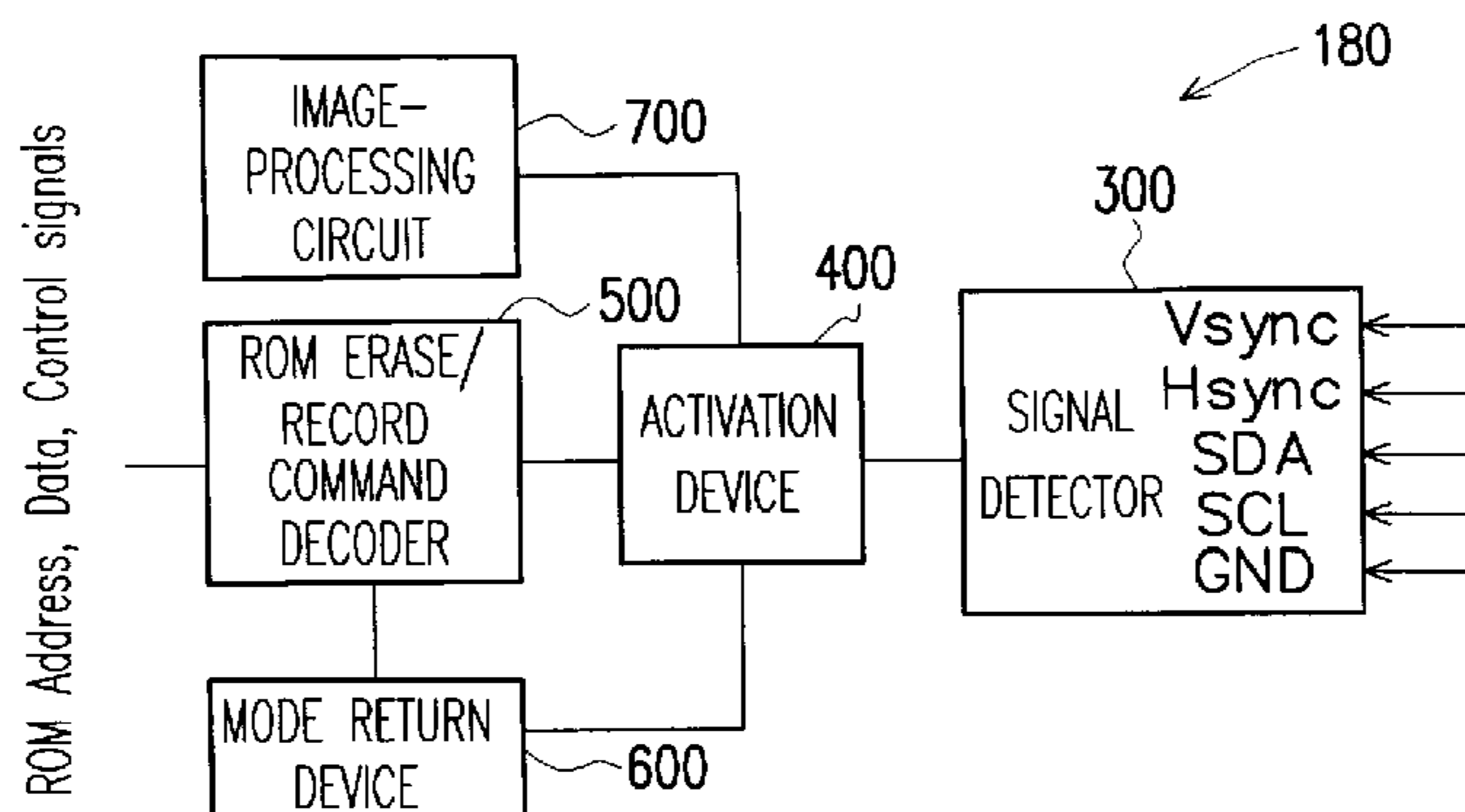
Primary Examiner — Abbas Abdulsalam

(74) *Attorney, Agent, or Firm* — J.C. Patents

(57) **ABSTRACT**

A monitor control system capable of reprogramming the function of a LCD monitor. The monitor control system utilizes VGA signal lines for video signal transmission during normal mode of operation and the same VGA signal lines for transmitting erase/record commands and data when the erasable programmable ROM inside the monitor demands reprogramming. Using an isolator circuit in the monitor control system for isolating an erase/record pathway of an erasable programmable ROM from a normal video pathway, data within the erasable programmable ROM can be modified without opening up the monitor casing. Hence, the modification of monitor function is much more convenient.

18 Claims, 5 Drawing Sheets



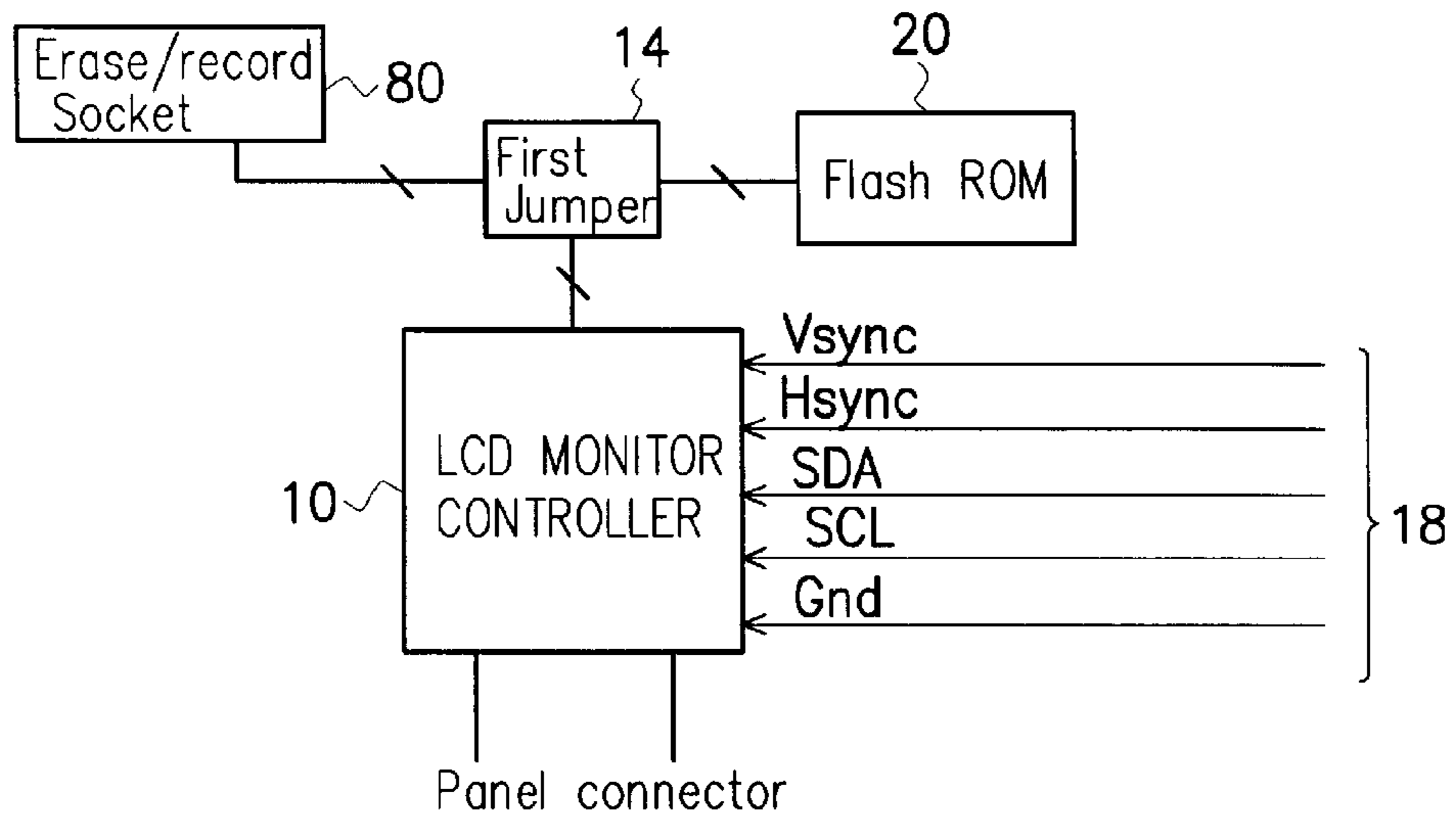


FIG. 1 (PRIOR ART)

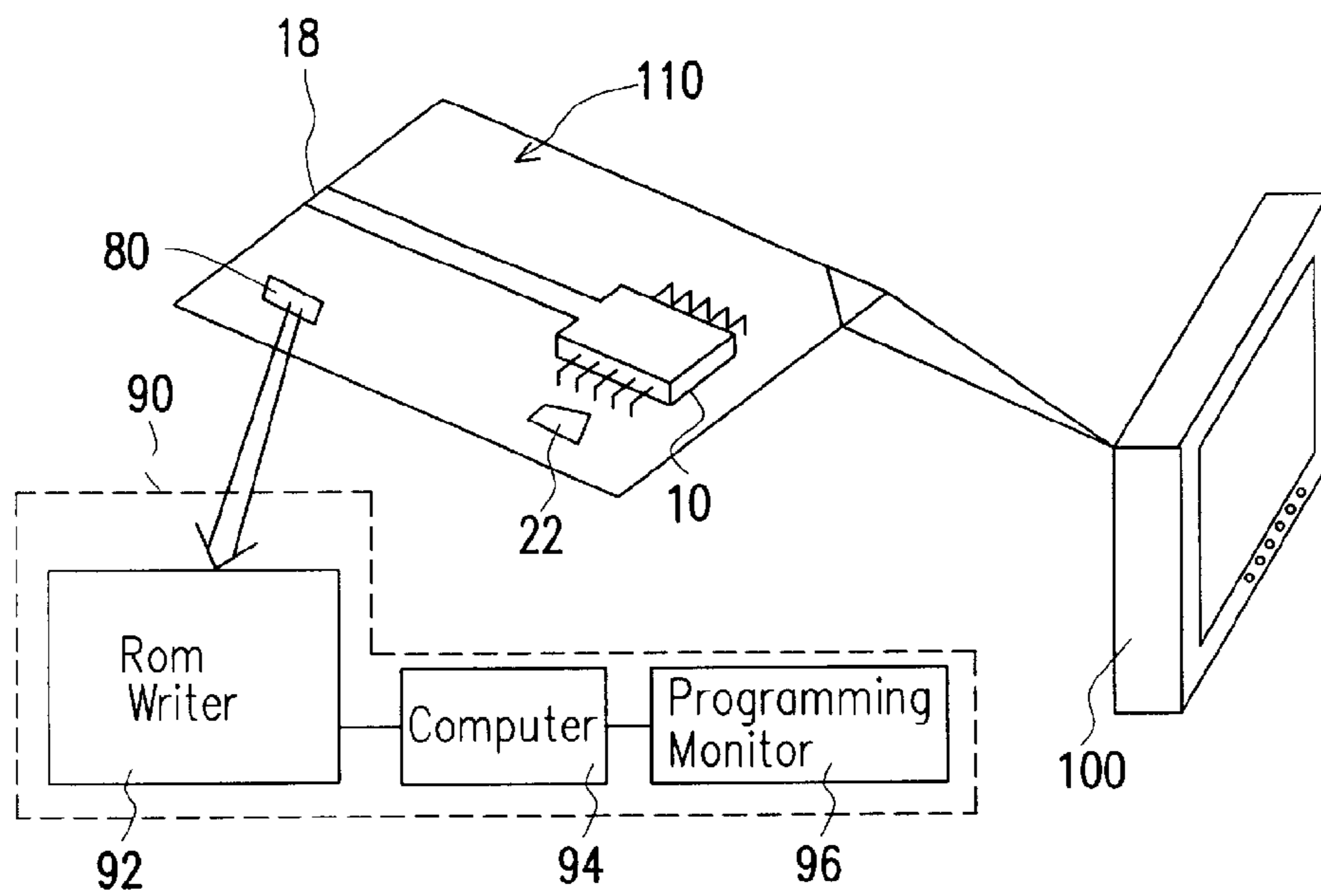


FIG. 2 (PRIOR ART)

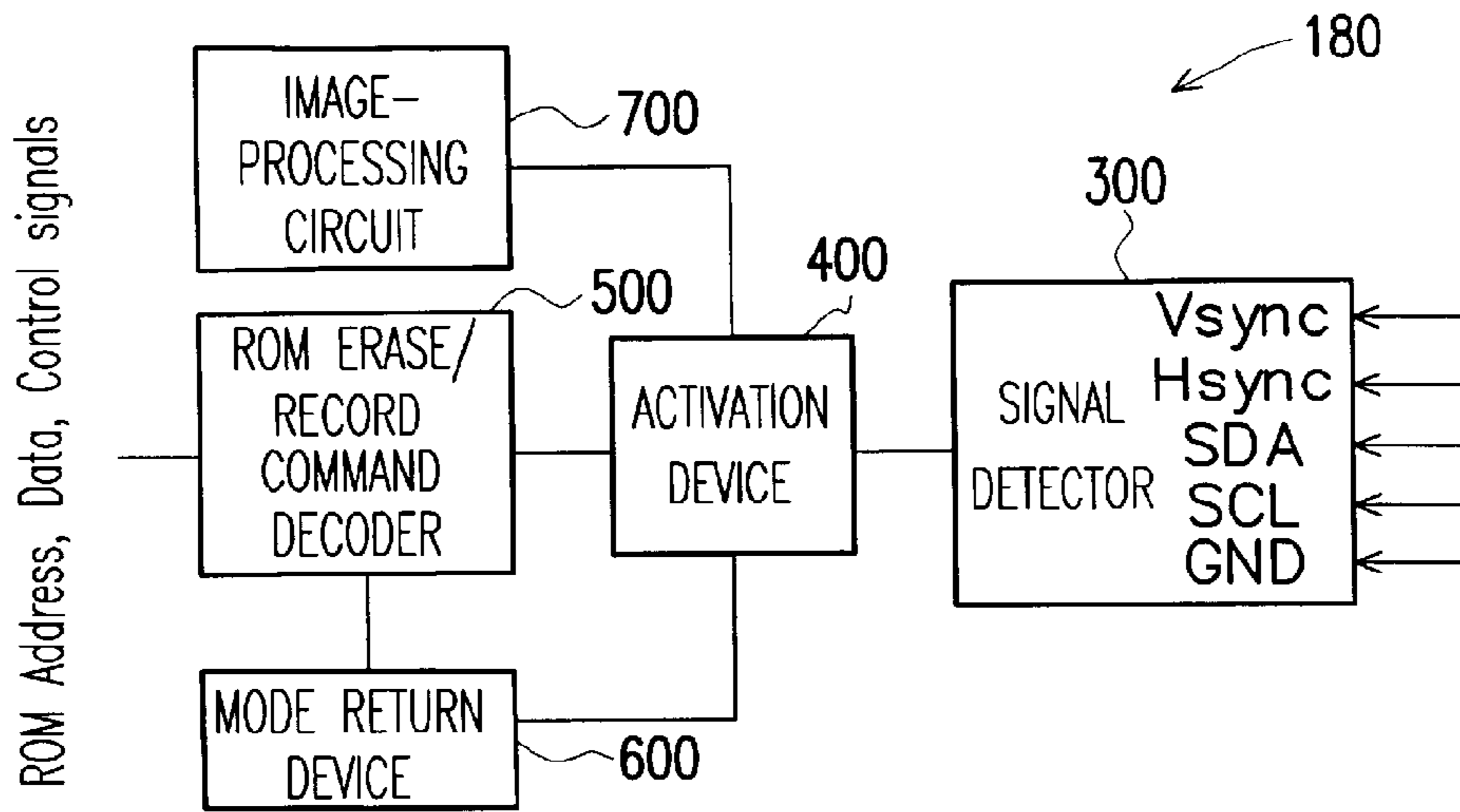


FIG. 5

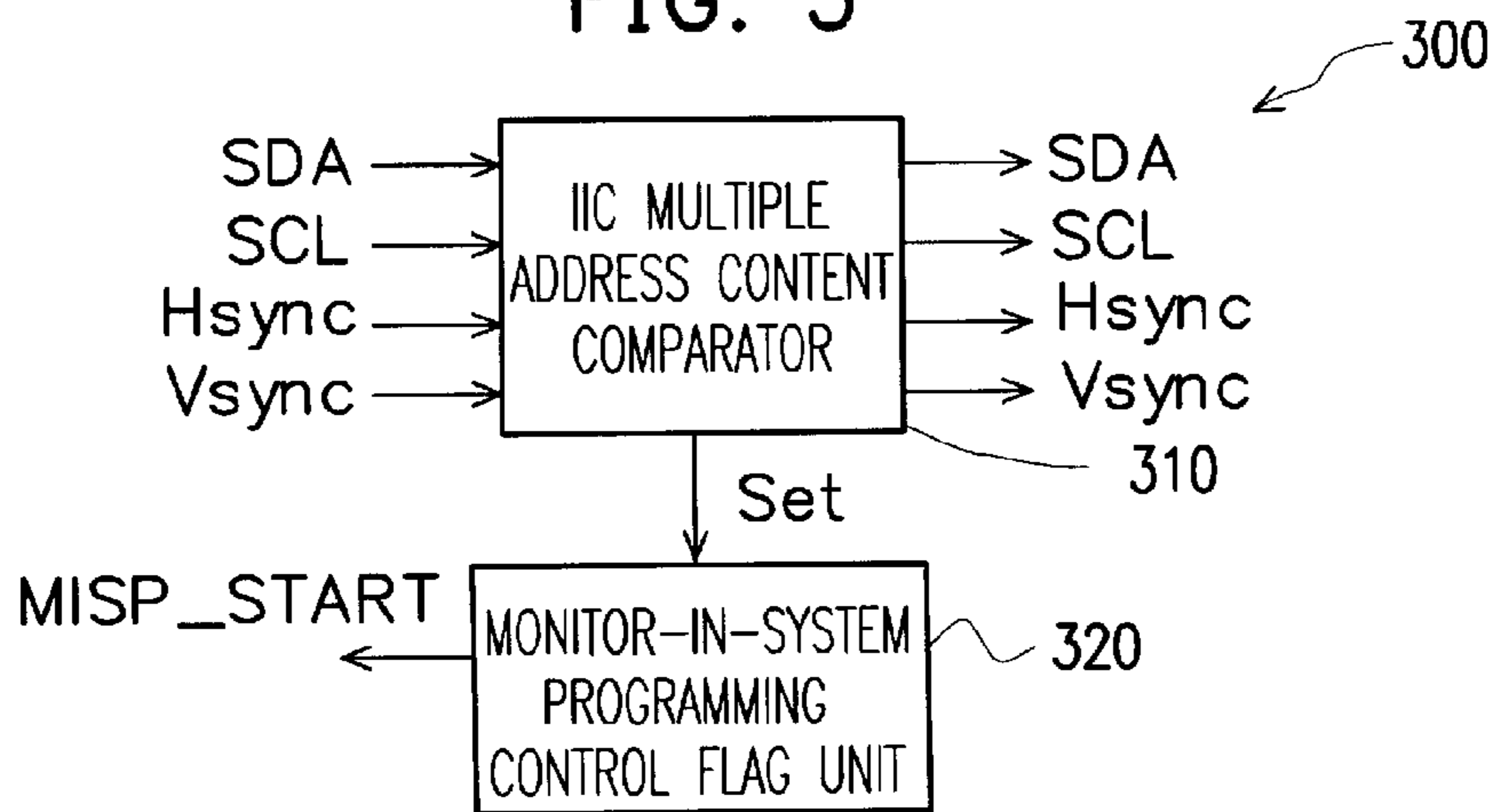


FIG. 6

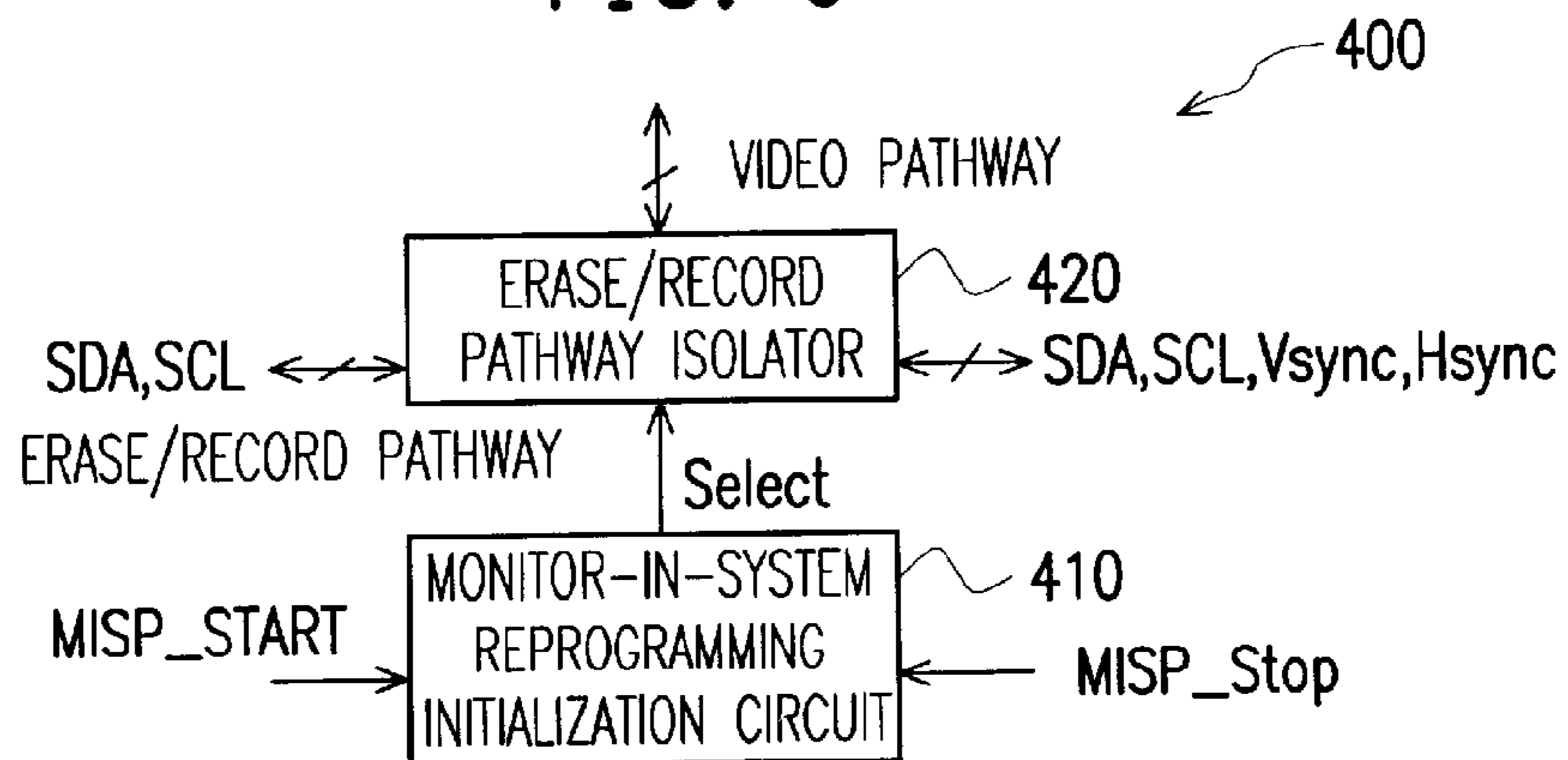


FIG. 7

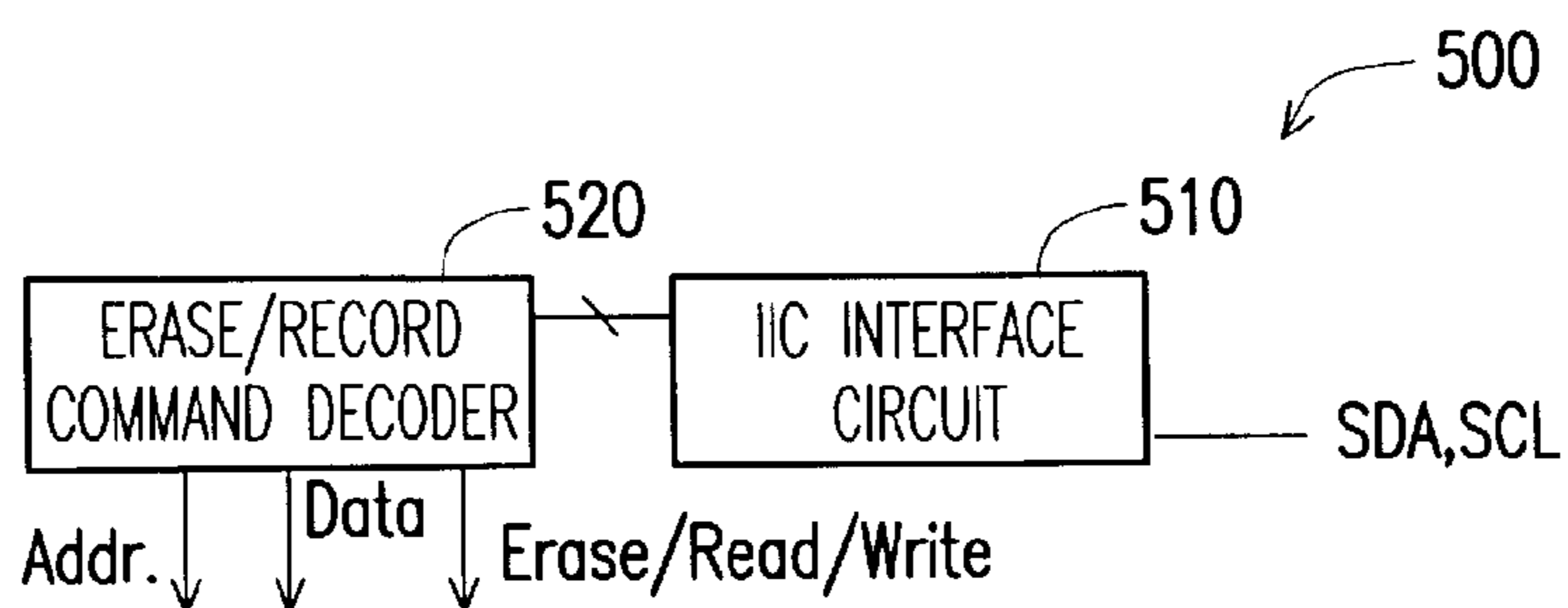


FIG. 8

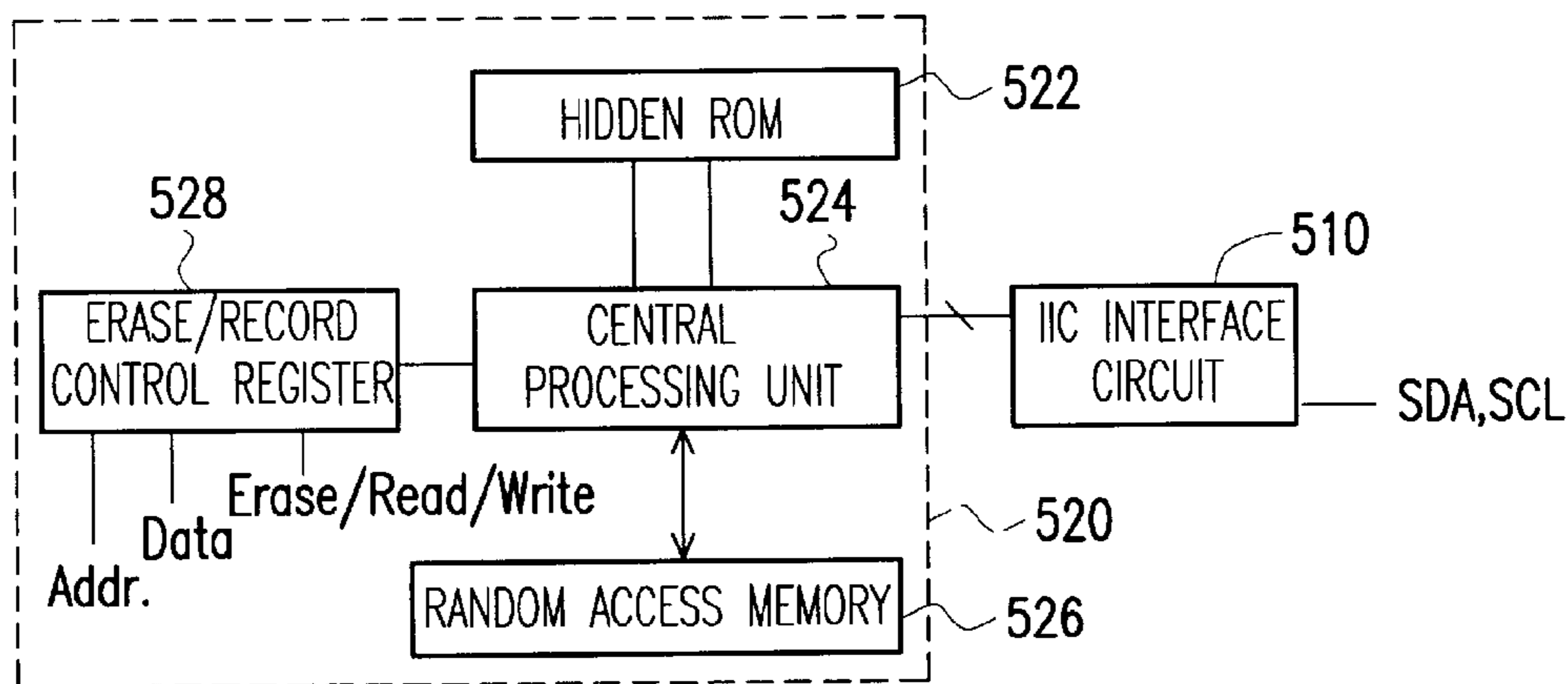


FIG. 9

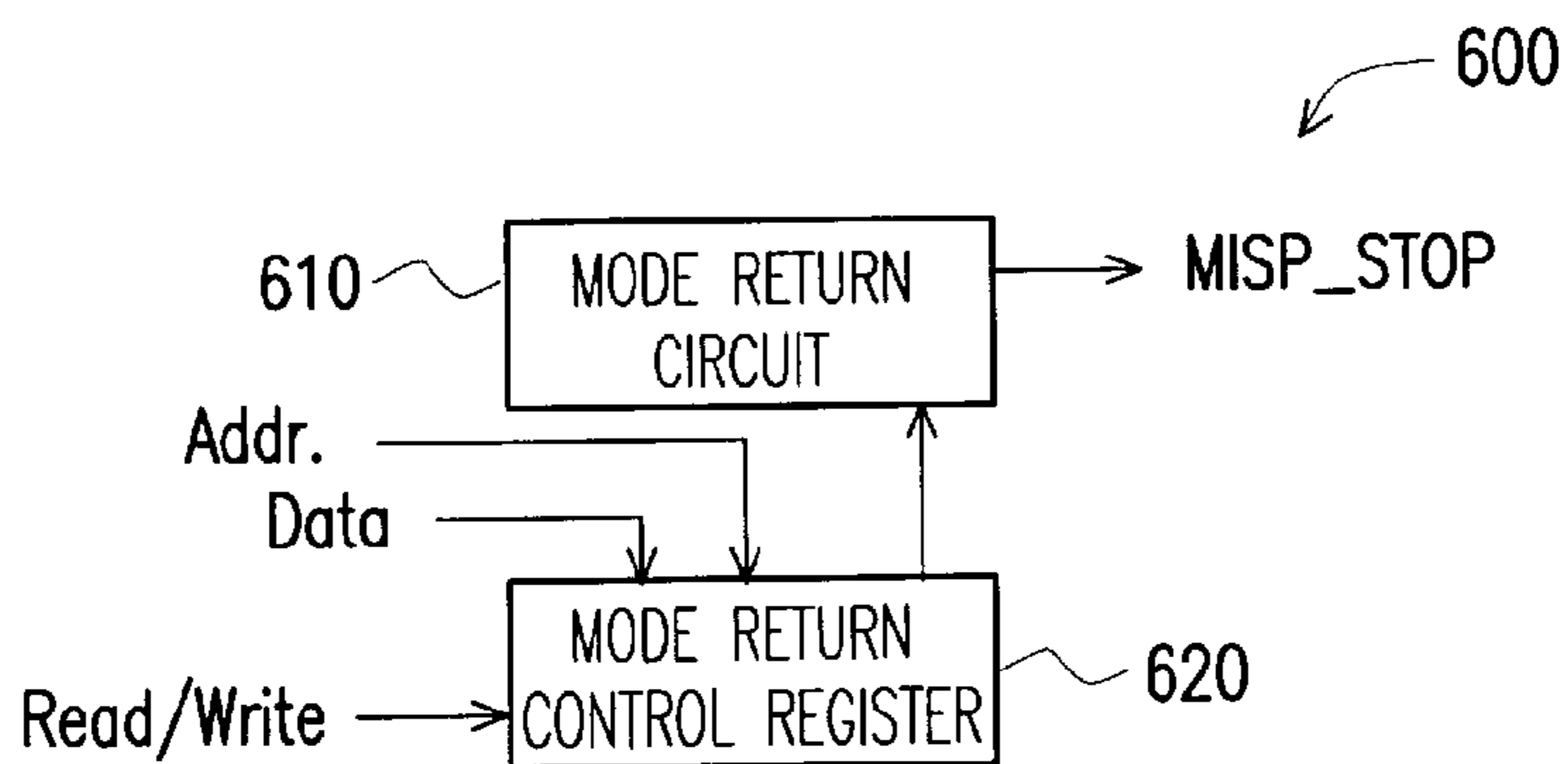


FIG. 10

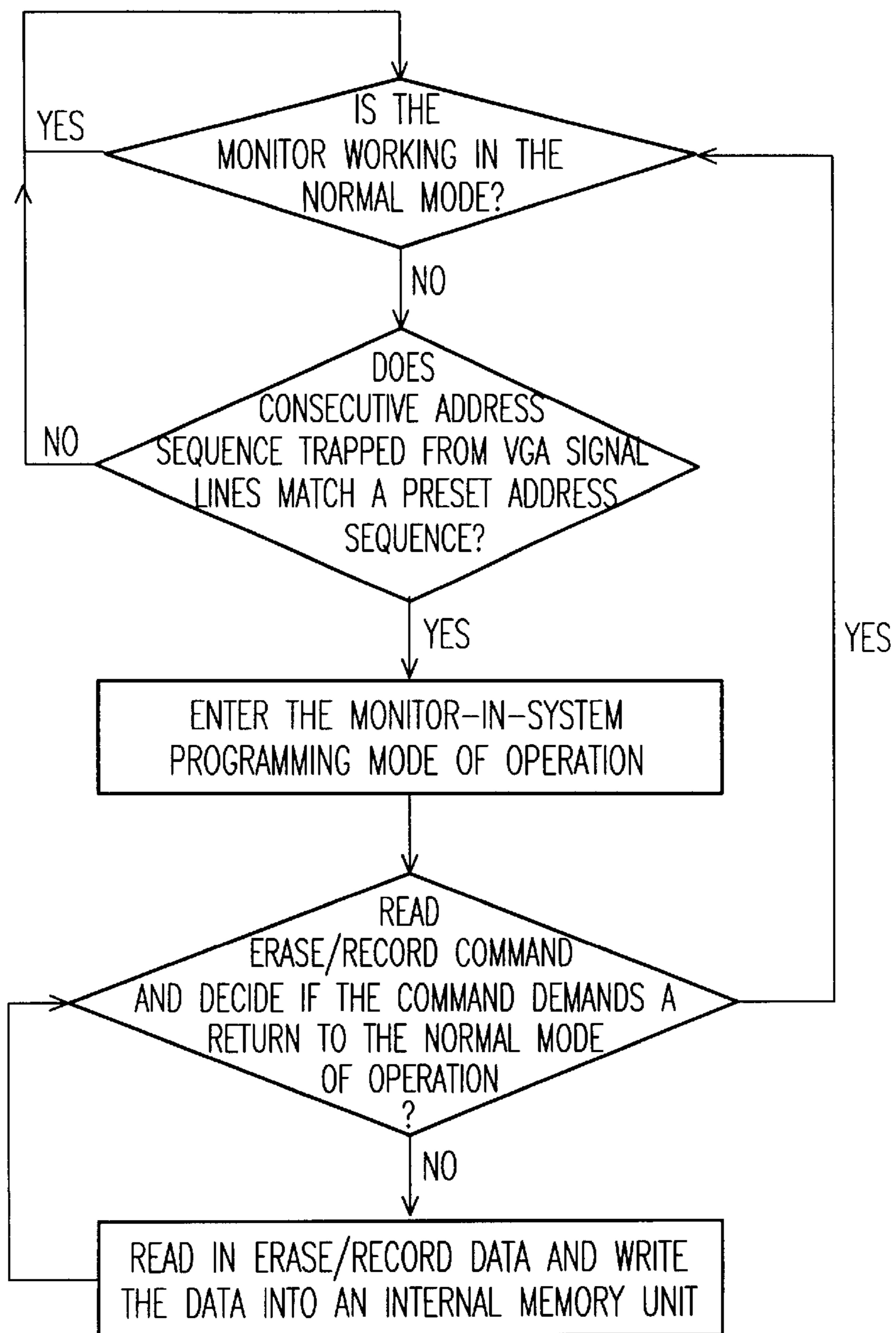


FIG. 11

DEVICE FOR REPROGRAMMING THE FUNCTION OF A DISPLAY SYSTEM

Matter enclosed in heavy brackets [] appears in the original patent but forms no part of this reissue specification; matter printed in italics indicates the additions made by reissue.

CROSS-REFERENCE TO RELATED APPLICATION

[This application is a continuation-in-part of application Ser. No. 09/575,890, filed on May 22, 2000, now pending, which is a continuation-in-part of application Ser. No. 09/414,251, filed on Oct. 7, 1999, now U.S. Pat. No. 6,295,053. This application is also a continuation-in-part of application Ser. No. 09/543,008, filed on Apr. 4, 2000 now U.S. Pat. No. 6,577,301, now allowed.]

More than one reissue application has been filed for the reissue of U.S. Pat. No. 6,697,058. The reissue applications are Reissue application Ser. No. 12/906,031, filed on Oct. 15, 2010, now U.S. Pat. No. Re. 44,388, Reissue application Ser. No. 12/243,919, filed on Oct. 01, 2008, now U.S. Pat. No. Re. 41,966, Reissue application Ser. No. 11/361,037, filed on Feb. 22, 2006, now U.S. Pat. No. Re. 40,422, and Reissue application Ser. No. 11/361,038, filed on Feb. 22, 2006, now U.S. Pat. No. Re. 40,574, which are based on U.S. application Ser. No. 10/418,435, filed on Apr. 17, 2003, now U.S. Pat. No. 6,697,058, which is a continuation-in-part of U.S. application Ser. No. 09/575,890, filed on May 22, 2000, now U.S. Pat. No. 6,661,411, which is a continuation of application Ser. No. 09/414,251, filed on Oct. 7, 1999, now U.S. Pat. No. 6,295,053, which claims the priority of Taiwan Application No. 88112204, filed on Jul. 19, 1999. The U.S. Pat. No. 6,697,058 is also a continuation-in-part of application Ser. No. 09/543,008, filed on Apr. 4, 2000, now U.S. Pat. No. 6,577,301, which claims the priority of Taiwan Application No. 88122129, filed on Dec. 16, 1999.

U.S. application Ser. No. 11/299,238, filed on Dec. 9, 2005, now U.S. Pat. No. Re. 40,325 is a reissue application of the U.S. application Ser. No. 09/575,890, filed on May 22, 2000, now U.S. Pat. No. 6,661,411.

This application is a continuation reissue application of reissue application Ser. No. 12/906,031, filed on Oct. 15, 2010, now U.S. Pat. No. Re. 44,388, which is a continuation reissue application of reissue application Ser. No. 12/243,919, filed on Oct. 01, 2008, now U.S. Pat. No. Re. 41,966, which is a continuation reissue application of Reissue application Ser. No. 11/361,038, filed on Feb. 22, 2006, now U.S. Pat. No. Re. 40,574. The prior reissue application Ser. No. 11/361,038 is based on U.S. application Ser. No. 10/418,435, filed on Apr. 17, 2003, now U.S. Pat. No. 6,697,058. U.S. Pat. No. 6,697,058 is a continuation-in-part of application Ser. No. 09/575,890, filed on May 22, 2000, now U.S. Pat. No. 6,661,411, which is a continuation-in-part of application Ser. No. 09/414,251, filed on Oct. 7, 1999, now U.S. Pat. No. 6,295,053. The U.S. Pat. No. 6,697,058 is also a continuation-in-part of application Ser. No. 09/543,008, filed on Apr. 4, 2000, now U.S. Pat. No. 6,577,301. The entirety of each of the above-mentioned patents is hereby incorporated by reference herein and made a part of this specification.

BACKGROUND OF THE INVENTION

1. Field of the Invention

The invention relates to a device and a method for repeatedly updating the function of a liquid quid crystal (LCD) monitor, and more particularly to a device and a method for

repeatedly updating the function of a LCD monitor by using Display Data Channel (DDC) signal lines for signal transmission.

2. Description of the Related Art

In a current monitor system, particularly to a LCD monitor, a monitor controller must be exchanged when function modifying or debugging, resulting in high cost consumed. As to a further advanced monitor system, a corresponding monitor controller has a build-in read only memory (ROM) which is an erasable programmable read only memory. By updating data stored in the erasable programmable read only memory, function modification and debugging can be achieved.

Referring to FIG. 1, a conventional programmable LCD monitor with the circuit block diagram is shown. The conventional LCD monitor has a total of 18 VGA signal lines electrically coupled to a VGA card, which includes a vertical synchronous signal (Vsync) line, a horizontal synchronous signal (Hsync) line, a serial data (SDA) line, a serial clock (SCL) line, a ground (Gnd) line, a red (R) line, a green (G) line and a blue (B) line. During a normal operation, the LCD monitor controller 10 receives the VGA signals. The LCD monitor also coupled to a jumper 14 for connection to the flash ROM 20 or the erase/record socket 80. The flash ROM 20 stores the data used to control the displaying function. In addition, the LCD monitor 10 also has a panel connector to connect to the LCD displaying panel (not shown). Usually, the monitor controller 10 controls the display panel (not shown) based on the VGA signals. The Hsync, Vsync, SDA, SCL and R.G.B signal lines are electrically coupled to the monitor controller 10 for driving the scan and data signals to the LCD displaying panel.

When it is necessary to modify the function of the monitor system, data stored in the flash ROM 20 needs to be updated. First, the case of the monitor must be opened. Then, the first jumper 14 is used to separate the original circuit and the rewriting pathway to the flash ROM. And then, a cable connected to the socket 80 to transmit the updated data.

FIG. 2 is a schematic view showing the connection of a conventional LCD monitor system with a memory erase/record system. After the external casing of the monitor 100 is open, a main circuit board 110 is revealed. An erase/record socket 80 and a set of VGA signal lines 18 are laid on the circuit board 110. The first jumper 14 is found within a jumper area 22. The memory erase/record system 90 includes a ROM writer 92, a computer system 94 and a programming monitor 96. The computer system 94 controls all the operations of the ROM writer 92. Programming status of the operation can be observed through the programming monitor 96. When the ROM writer is plugged into the erase/record socket 80 of the main circuit board 110, memory inside the monitor can be reprogrammed by the computer 94 so that a different monitor function can be used.

Obviously, it is really inconvenient to update the monitor system because the case of the conventional monitor must be first opened, and then the jumper has to be switched for recording the erasable programmable read only memory of the monitor controller 10.

As a result, it is rather inconvenience when the monitor system, such as LCD monitor, is updated because it is necessary to open the case of the monitor and to switch jumpers for recording the erasable programmable read only memory of the monitor controller 10.

SUMMARY OF THE INVENTION

The invention is to provides a device for reprogramming function of a LCD monitor, which needs not to open the case

3

and needs no the conventional jumper. Also and, it is not necessary to include a connector with pre-designed layout for isolating the previously original circuit and the rewriting pathway to the flash memory. The displaying function of the LCD monitor can be repeatedly updated and the information about on-screen display.

The present invention provides a LCD monitor control system capable of reprogramming monitor function. The monitor control system utilizes the VGA signal lines for transmitting signals during normal operation. The same VGA signal lines are also used for transmitting erase/record commands to the monitor system and to erase/record data into an external erasable programmable ROM.

The invention provides a device for reprogramming function of a LCD monitor, which includes a set of video graphic adapter (VGA) signal lines for transmitting a plurality of erase/record commands and a plurality of erase/record data. A signal detector is coupled to the VGA signal lines for detecting and re-transmitting the erase/record commands and data. An activation device is coupled to the signal detector, wherein the activation device is normally connected to a video pathway, but as soon as erase/record commands are detected, the activation device is switched to an erase/record pathway so that erase/record commands and data can be re-directed. A read-only-memory (ROM) erase/record command decoder is coupled to the activation device via the erase/record pathway, wherein the decoder translates the erase/record commands into a plurality of erase/read/write signals and translates the erase/record data into a plurality of address signals and a plurality of data signals. A plurality of address signals, a plurality of data signals and a plurality of control signals are coupled to the ROM erase/record command decoder. Consequently, data stored in the external ROM unit can be modified, according to the address, data and erase/read/write signals coming from the command decoder. A mode return device is coupled to the ROM erase/record command decoder and the activation device. Wherein, the reprogramming status of the ROM unit can be determined from the address, data and read/write signals so that the activation device can be triggered to switch over connection from the erase/record pathway to the video pathway as soon as reprogramming is finished.

In the foregoing device, the signal detector further includes an inter-integrated circuit multiple address content comparator circuit, which is coupled to the VGA signal lines for comparing with a plurality of consecutive address sequences in the erase/record data such that a set signal is transmitted when there is a match with a pre-set address sequence. A monitor-in-system programming control flag unit is coupled to the inter-integrated circuit multiple address content comparator circuit for transmitting a start signal after receiving the set signal.

In the foregoing device, the activation device further includes a monitor-in-system reprogramming initialization circuit for producing a select signal after receiving the start signal, as well as an erase/record pathway isolator for switching over connection from the video pathway to the erase/record pathway after receiving the select signal and transmitting the erase/record commands and data via the erase/record pathway.

In the foregoing device, the ROM erase/record command decoder further includes an inter-integrated interface circuit for receiving and translating the erase/record commands and data, as well as an erase/record command decoder for receiving translated erase/record commands and data and outputting address, data and erase/read/write signals.

4

In the foregoing device, the erase/record command decoder further includes a hidden ROM for holding a program code for erase/record commands; a random access memory (RAM) unit for holding erase/record data; a central processing unit coupled to the hidden ROM, the RAM unit and the inter-integrated interface circuit. Wherein the central processing unit receives the erase/record commands and data passing through the inter-integrated circuit interface circuit and then stores the erase/record data in the RAM unit, while the erase/record commands are decoded by referring to the program code in the hidden ROM and then the decoded commands are re-transmitted. An erase/record control register coupled to the central processing unit for receiving the decoded erase/record commands and converting the erase/record commands into the interface control signals or erase/read/write signals, and converting the erase/record data stored in the RAM unit into address and data signals.

The invention further provides a system for reprogramming the function of a liquid crystal display (LCD) monitor, which comprises an erase/record device for holding and transmitting a plurality of erase/record commands and a plurality of erase/record data. A set of video graphic adapter (VGA) signal lines coupled to the erase/record device for transmitting the erase/record commands and data. And, a LCD monitor controller with a monitor-in-system programming function, wherein the LCD monitor controller is coupled to the VGA signal lines so that the erase/record commands of the erase/record device and data are received from the erase/record device via the VGA signal lines, and then a plurality of address signals, a plurality of data signals, and a plurality of control signals are exported for reprogramming a ROM unit, wherein the ROM unit coupled to the LCD monitor controller via signal lines for transferring the address signals, the data signals and the control signals, so that data stored in the ROM unit can be modified according to the address signals and the control signals, and the data signals coming from the LCD monitor controller.

In the foregoing invention, the LCD monitor controller with monitor-in-system programming function includes a signal detector coupled to the VGA signal lines for detecting and transmitting the erase/record commands and data. An activation device is coupled to the signal detector. Wherein the activation device is normally connected to a video pathway, but as soon as erase/record commands is detected, the activation device is switched to an erase/record pathway so that erase/record commands and data can be re-directed. A ROM erase/record command decoder is coupled to the activation device via the erase/record pathway, wherein the decoder translates the erase/record commands into a plurality of erase/read/write signals and translates the erase/record data into a plurality of address signals and a plurality of data. A mode return device is coupled to the ROM erase/record command decoder and the activation device. Wherein, the reprogramming status of the ROM unit can be determined from the address, data and erase/read/write signals so that the activation device can be triggered to switch over connection from the erase/record pathway to the video pathway as soon as reprogramming is finished.

The invention also provides a method for reprogramming the function of a LCD monitor system. The method includes tapping a plurality of signals from a set of video graphic adapter (VGA) signal lines to perform a plurality of consecutive address sequence comparisons with a pre-set address sequence. A programming mode inside the LCD monitor system is triggered when one of the tapped consecutive address sequences matches that of the pre-set address sequence. An erase/record command is read and it is decided

what actions to take as soon as the programming mode is activated. The erase/record data is read and the erase/record data is written into a memory unit when the erase/record command is for a write operation, and then returning to the previous step. When the erase/record command demands a return to a non-programming mode, the process returns back to the very first step.

BRIEF DESCRIPTION OF THE DRAWINGS

The invention will become more fully understood from the detailed description given hereinafter and the accompanying drawings which are given by way of illustration only, and thus do not limit the present invention, and wherein:

FIG. 1 is a block diagram showing the circuit connections of various elements of a conventional programmable LCD monitor system;

FIG. 2 is a schematic view showing the connection of a conventional LCD monitor system with a memory erase/record system;

FIG. 3 is a block diagram showing the circuit connections of various elements of a programmable monitor system according to this invention;

FIG. 4 is a schematic view showing the connection of a LCD monitor system according to this invention with an erase/record device;

FIG. 5 is a block diagram showing the circuit connections of various internal elements of the LCD monitor controller according to this invention;

FIG. 6 is a block diagram showing the circuit connections of various internal elements of the signal detector according to this invention;

FIG. 7 is a block diagram showing the circuit connections of various internal elements of the activation device according to this invention;

FIG. 8 is a block diagram showing the circuit connections of various internal elements of the ROM erase/record command decoder according to this invention;

FIG. 9 is a block diagram showing the circuit connections of various internal elements of the erase/record command decoder;

FIG. 10 is a block diagram showing the circuit connections of various internal elements of the mode return device; and

FIG. 11 is a flow chart showing the steps for reprogramming the memory inside a LCD monitor system of this invention.

DETAILED DESCRIPTION OF THE PREFERRED EMBODIMENTS

Referring to FIG. 3, a block diagram schematically shows the circuit connections of various elements of a programmable monitor system according to this invention. The invention uses a monitor controller **180** with monitor-in-system programming function to receive the VGA signals **18**, including Vsync, Hsync, SDA, SCL, and R.G.B. signals. The monitor controller **180** is also coupled to a LCD displaying panel (not shown) through a panel connector and a flash ROM **120**. The VGA signals **18** are input to the monitor controller **180**, then the monitor controller **180** also refers to the program stored in the flash ROM **120** to drive the LCD displaying panel.

When the function of driving program in the flash ROM **120** is desired to be updated, the updated program and data can be written to the flash ROM **120** without the need of opening the case of the monitor and the jumper for switching. For example, the updated information can be input through

the SDA and SCL signal lines. Compared to the prior art, it is unnecessary to open the case of the monitor. In other words, the function update of the monitor can be achieved by just using the original signal lines **18**.

FIG. 4 is a schematic view showing the connection of a LCD monitor system according to this invention with an erase/record device. The main circuit board **210** inside a monitor **200**, such as a LCD monitor, is connected to an erase/record device **190** via the set of VGA signal lines **18**. To reprogram the function of the monitor, erase/record commands and erase/record data are first programmed into a computer system **194**. The erase/record commands and data are translated into an inter-integrated circuit (IIC) interface format. The translated erase/record commands and data are output from a parallel port VGA adapter via the set of VGA signal lines into the ROM unit inside the monitor controller **180**.

Alternatively, the erase/record device can utilize an inter-integrated circuit (IIC) interface circuit platform. To reprogram the function of the monitor, erase/record commands and data are first written into the memory area of the IIC interface circuit platform. The erase/record commands and data are sent in the IIC interface format to the ROM inside the monitor controller **180** directly via the VGA signal lines.

In this embodiment of the invention, the serial data line SDA and the serial clock line SCL of the VGA signal lines are used to transmit erase/record commands and data in the IIC interface format. In practice, any two of the signal lines including SDA, SCL, Hsync and Vsync can be used for transmitting erase/record commands and data in the IIC interface format.

FIG. 5 is a block diagram showing the circuit connections of various internal elements of the monitor controller according to this invention. The monitor controller **180**, which carries a ROM with a built-in control program, includes a signal detector **300**, an activation device **400**, a ROM erase/record command decoder **500**, a mode return device **600**, image-processing circuits **700**, which is the circuits other than the circuits belonging to the monitor controller **180**, and a ROM unit **800**.

VGA signal lines are connected to the signal detector **300**. The signal detector **300** is a device for detecting any erase/record commands and data on the VGA signal lines. Signals are next delivered to the activation device **400**.

The activation device **400** has a video pathway and an erase/record pathway. When erase/record commands are detected by the signal detector **300**, the erase/record commands and data are re-directed to the ROM erase/record command decoder **500** via the erase/record pathway by the activation device **400**. In the normal mode of operation, video signals are re-directed to the image-processing circuits **700** via the video pathway by the activation device **400**.

The ROM erase/record command decoder **500** translates the erase/record commands into erase/read/write signals to be used by the ROM unit **120** and the erase/record data are also translated into addresses and data signals. The translated signals are sent to the ROM unit **120** so that monitor function can be modified.

The ROM erase/record command decoder **500** produces the address signals, the data signals, and the control signals and then exports the signals to an external ROM unit (not shown), which stores a program code and data used for performing displaying function. The external ROM can, for example, be the flash memory or erasable programmable ROM. However, if an updated program is desired, the pro-

gram code can be erased and reprogrammed according to the address signals, data signals and erase/read/write signals picked up by the ROM unit.

The mode return device **600** is coupled to the ROM erase/record command decoder **500** and the activation device **400**. According to address, data and read/write signals feedback from the decoder **500**, progress in the reprogramming of ROM **120** can be determined. When the reprogramming is finished, the mode return device **600** signals to the activation device **400** so that connection to the video pathway is re-established.

In the following, elements and operation of each device are described in detail.

FIG. **6** is a block diagram showing the circuit connections of various internal elements of the signal detector according to this invention. The inter-integrated circuit multiple address content comparator **310** of the signal detector **300** taps the signals on the signal line SDA continuously, trying to match a pre-set address sequence. When the tapped consecutive address sequence matches that of the pre-set address sequence, a Set signal is sent to a monitor-in-system programming control flag unit **320**. The transmission of a Set signal to the flag unit **320** indicates that reprogramming of the monitor system is desired. Consequently, a monitor-in-system programming start MISP_START signal is transmitted to the activation device **400**.

FIG. **7** is a block diagram showing the circuit connections of various internal elements of the activation device according to this invention. As soon as the monitor-in-system reprogramming initialization circuit **410** of the activation device **400** picks up the MISP_START signal from the control flag unit **320**, a Select signal is transmitted to an erase/record pathway isolator **420**. On receiving the Select signal, the isolator **420** switches over the connection from the video pathway to the erase/record pathway so that erase/record commands and data signals is able to pass on. FIG. **8** is a block diagram showing the circuit connections of various internal elements of the ROM erase/record command decoder according to this invention. The IIC interface circuit **510** of the ROM erase/record command decoder **500** picks up the erase/record commands and data from the activation device **400**. The erase/record commands and data are translated into an erase/record commands and data format compatible to the erase/record command decoder **520**. The erase/record command decoder **520** converts the translated erase/record commands and data into address, data and erase/read/write signals. These address, data and erase/read/write signals are transmitted to the ROM **120** for reprogramming.

FIG. **9** is a block diagram showing the circuit connections of various internal elements of the erase/record command decoder. The erase/record command decoder **520** includes a hidden ROM **522**, a RAM unit **526**, a central processing unit (CPU) **524** and an erase/record control register **528**.

The hidden ROM **522** is a device for storing the program code of erase/record commands, and the RAM unit **526** is a device for storing erase/record data. The central processing unit **524** picks up the translated erase/record commands and data from the IIC interface circuit. The erase/record data is stored in the RAM unit **526**. The erase/record commands are decoded using the decoding program inside the hidden ROM **522**. The decoded erase/record commands are transmitted to an erase/record control register **528** where the commands are converted into ROM interface control signals or erase/read/write signals. The erase/record data stored in the RAM unit **526** is converted into address and data signals by the central processing unit **524**.

The erase/record command decoder **520** can also be implemented using a hardware circuit. The erase/record commands picked up from the IIC circuit are divided into different states so that the commands can easily be converted into erase/read/write, address and data signals.

FIG. **10** is a block diagram showing the circuit connections of various internal elements of the mode return device. The mode return register **620** of the mode return device **600** picks up feedback address, data and read/write signals from the erase/record control register **528**. When the erase/record procedure is complete, a mode return signal is sent to the mode return circuit **610**. As soon as the mode return circuit **610** picks up the mode return signal, a monitor-in-system programming MISP_STOP signal is issued to the activation device **400**. The activation device **400** immediately switches over the connection from the erase/record pathway to the video pathway.

FIG. **11** is a flow chart showing the steps for reprogramming the ROM inside a monitor system of this invention. First, the monitor system monitors incoming signals repeatedly to check for anything abnormal. Nothing happens in the normal or the video transmission mode. When something abnormal is sensed by the monitor system, signals on the VGA signal lines are tapped and a consecutive address sequence is compared with a pre-set address sequence. If the tapped address does not match the pre-set address, the monitor system returns to a normal mode. However, if there is a match between the tapped address sequence and the pre-set address sequence, the monitor system enters a reprogramming mode. The incoming erase/record commands are checked by the monitor system. If the erase/record command demands that the system perform a memory write operation, erase/record data are written into the ROM unit inside the monitor controller. Thereafter, the next erase/record command is read. On the other hand, if the erase/record command demands a return to the normal mode of operation, the monitor system returns to the normal mode and mode checking is again carried out.

In summary, the invention provides a monitor control system capable of reprogramming the function of a LCD monitor. The monitor control system utilizes the VGA signal lines for signal transmission in normal operation and the same VGA signal lines in the modification of data inside the erasable programmable ROM of a monitor controller in the reprogramming mode. The original cable used by the VGA card can be used to rewrite a program used by the LCD monitor controller without opening the case and no need of the jumper. Also and, the related on-screen display information can also be updated.

It will be apparent to those skilled in the art that various modifications and variations can be made to the structure of the present invention without departing from the scope or spirit of the invention. In view of the foregoing, it is intended that the present invention cover modifications and variations of this invention provided they fall within the scope of the following claims and their equivalents.

What is claimed is:

[1. A device for reprogramming the function of a liquid crystal display (LCD) monitor, comprising:

- a set of video graphic adapter (VGA) signal lines for transmitting a plurality of erase/record commands and a plurality of erase/record data;
- a signal detector coupled to the VGA signal lines for detecting and re-transmitting the erase/record commands and data;
- an activation device coupled to the signal detector, wherein the activation device is normally connected to a video

9

pathway, but as soon as erase/record commands are detected, the activation device is switched to an erase/record pathway so that erase/record commands and data can be re-directed;

- a read-only-memory (ROM) erase/record command decoder connected to the activation device via the erase/record pathway, wherein the decoder translates the erase/record commands into a plurality of control signals and translates the erase/record data into a plurality of address signals and a plurality of data signals;
- a plurality of signal lines for transferring the control signals, the address signals, and the data signals to an external ROM unit, wherein a content of the ROM unit can be modified according to the control signals, the address signals, and the data signals; and
- a mode return device coupled to the ROM erase/record command decoder and the activation device, wherein the reprogramming status of the ROM unit can be determined from the address, data and read/write signals so that the activation device can be triggered to switch over connection from the erase/record pathway to the video pathway as soon as reprogramming is finished.]

[2. The device of claim 1, wherein the erase/record commands and data come from an erase/record device that couples to the VGA signal lines.]

[3. The device of claim 2, wherein the erase/record device is a computer platform that sends the erase/record commands and data in an inter-integrated circuit interface format via a parallel port VGA adapter.]

[4. The device of claim 2, wherein the erase/record device is an inter-integrated circuit interface circuit platform for transmitting erase/record commands and data in an inter-integrated circuit interface format.]

[5. The device of claim 1, wherein the signal detector further includes:

- an inter-integrated circuit multiple address content comparator circuit coupled to the VGA signal lines for comparing with a plurality of consecutive address sequences in the erase/record data such that a set signal is transmitted when there is a match with a pre-set address sequence; and
- a monitor-in-system programming control flag unit coupled to the inter-integrated circuit multiple address content comparator circuit for transmitting a start signal after receiving the set signal.]

[6. The device of claim 1, wherein the activation device further includes:

- a monitor-in-system reprogramming initialization circuit for producing a select signal after receiving the start signal; and
- an erase/record pathway isolator for switching over connection from the video pathway to the erase/record pathway after receiving the select signal and transmitting the erase/record commands and data via the erase/record pathway.]

[7. The device of claim 1, wherein the ROM erase/record command decoder further includes:

- an inter-integrated interface circuit for receiving and translating the erase/record commands and data; and
- an erase/record command decoder for receiving translated erase/record commands and data and outputting address, data and erase/read/write signals.]

[8. The device of claim 7, wherein the erase/record command decoder further includes:

- a hidden ROM for holding a program code for erase/record commands;

10

a random access memory (RAM) unit for holding erase/record data;

a central processing unit coupled to the hidden ROM, the RAM unit and the inter-integrated interface circuit, wherein the central processing unit receives the erase/record commands and data passing through the inter-integrated circuit interface circuit and then stores the erase/record data in the RAM unit, while the erase/record commands are decoded by referring to the program code in the hidden ROM and then the decoded commands are re-transmitted; and

an erase/record control register coupled to the central processing unit for receiving the decoded erase/record commands and converting the erase/record commands into the interface control signals or erase/read/write signals, and converting the erase/record data stored in the RAM unit into address and data signals.]

[9. The device of claim 7, wherein the erase/record command decoder is a hardware circuit that separates each erase/record command picked up by the inter-integrated circuit into a plurality of states for ease of decoding and converts the erase/record commands and data into erase/read/write, address and data signals.]

[10. The device of claim 1, wherein the mode return device further includes:

- a mode return control register for receiving the address, data and erase/read/write signals and producing a mode return signal as soon as a reprogramming operation is finished; and
- a mode return circuit coupled to the mode return control register and the activation device for sending a stop signal to the activation device after receiving the mode return signal so that the activation device switches over connection from the erase/record pathway back to the video pathway.]

[11. The device of claim 1, wherein the external ROM unit comprises a flash ROM unit.]

[12. The device of claim 1, wherein the external ROM unit comprises an erasable programmable ROM unit.]

[13. A system for reprogramming the function of a liquid crystal display (LCD) monitor, comprising:

- an erase/record device for holding and transmitting a plurality of erase/record commands and a plurality of erase/record data;
- a set of video graphic adapter (VGA) signal lines coupled to the erase/record device for transmitting the erase/record commands and data; and
- a LCD monitor controller with a monitor-in-system programming function, wherein the LCD monitor controller is coupled to the VGA signal lines so that the erase/record commands of the erase/record device and data are received from the erase/record device via the VGA signal lines, and then a plurality of address signals, a plurality of data signals, and a plurality of control signals are exported for reprogramming a ROM unit, wherein the ROM unit coupled to the LCD monitor controller via signal lines for transferring the address signals, the data signals and the control signals, so that data stored in the ROM unit can be modified according to the address signals and the control signals, and the data signals coming from the LCD monitor controller.]

[14. The system of claim 13, wherein the erase/record device is a computer platform that sends the erase/record commands and data in an inter-integrated circuit interface format via a parallel port VGA adapter.]

[15. The system of claim 13, wherein the erase/record device is an inter-integrated circuit interface circuit platform

11

for transmitting erase/record commands and data in an inter-integrated circuit interface format.]

[16. The system of claim 13, wherein the LCD monitor controller with monitor-in-system programming function includes:

a signal detector coupled to the VGA signal lines for detecting and transmitting the erase/record commands and data;

an activation device coupled to the signal detector, wherein the activation device is normally connected to a video pathway, but as soon as erase/record commands is detected, the activation device is switched to an erase/record pathway so that erase/record commands and data can be re-directed;

a ROM erase/record command decoder connected to the activation device via the erase/record pathway, wherein the decoder translates the erase/record commands into a plurality of erase/read/write signals and translates the erase/record data into a plurality of address signals and a plurality of data signals; and

a mode return device coupled to the ROM record command decoder and the activation device, wherein the reprogramming status of a ROM unit can be determined from the address, data and erase/read/write signals so that the activation device can be triggered to switch over connection from the erase/record pathway to the video pathway as soon as reprogramming is finished.]

[17. The system of claim 16, wherein the signal detector further includes:

an inter-integrated circuit multiple address content comparator circuit coupled to the VGA signal lines for comparing with a plurality of consecutive address sequences in the erase/record data such that a set signal is transmitted when there is a match with a pre-set address sequence; and

a monitor-in-system programming control flag unit coupled to the inter-integrated circuit multiple address content comparator circuit for transmitting a start signal after receiving the set signal.]

[18. The system of claim 16, wherein the activation device further includes:

a monitor-in-system reprogramming initialization circuit for producing a select signal after receiving the start signal; and

an erase/record pathway isolator for switching over connection from the video pathway to the erase/record pathway after receiving the select signal and transmitting the erase/record commands and data via the erase/record pathway.]

[19. The system of claim 16, wherein the ROM erase/record command decoder further includes:

an inter-integrated interface circuit for receiving and translating the erase/record commands and data; and

an erase/record command decoder for receiving translated erase/record commands and data and outputting address, data and erase/read/write signals.]

[20. The system of claim 19, wherein the erase/record command decoder further includes:

a hidden ROM for holding a program code for erase/record commands;

a random access memory (RAM) unit for holding erase/record data;

a central processing unit coupled to the hidden ROM, the RAM unit and the inter-integrated interface circuit, wherein the central processing unit receives the erase/record commands and data passing through the inter-integrated circuit interface circuit and then stores the

12

erase/record data in the RAM unit, while the erase/record commands are decoded by referring to the program code in the hidden ROM after which the decoded commands are re-transmitted; and

an erase/record control register coupled to the central processing unit for receiving the decoded erase/record commands and converting the erase/record commands into the interface control signals or erase/read/write signals, and converting the erase/record data stored in the RAM unit into address and data signals.]

[21. The system of claim 19, wherein the erase/record command decoder is a hardware circuit that separates each erase/record command picked up by the inter-integrated circuit into a plurality of states for ease of decoding and converts the erase/record commands and data into erase/read/write, address and data signals.]

[22. The system of claim 16, wherein the mode return device further includes:

a mode return control register for receiving the address, data and read/write signals and producing a mode return signal as soon as a reprogramming operation is finished; and

a mode return circuit coupled to the mode return control register and the activation device for sending a stop signal to the activation device after receiving the mode return signal so that the activation device switches connection from the erase/record pathway back to the video pathway.]

[23. The system of claim 13, wherein the ROM unit inside the monitor controller is a flash ROM unit.]

[24. The system of claim 13, wherein the ROM unit comprises an erasable programmable ROM unit.]

[25. A method for reprogramming the function of a liquid crystal display (LCD) monitor system, comprising the steps of:

tapping a plurality of signals from a set of video graphic adapter (VGA) signal lines to perform a plurality of consecutive address sequence comparisons with a pre-set address sequence;

triggering a programming mode inside the LCD monitor system when one of the tapped consecutive address sequences matches that of the pre-set address sequence; reading an erase/record command and deciding what actions to take as soon as the programming mode is activated;

reading in erase/record data and writing the erase/record data into a memory unit when the erase/record command is for a write operation, and then returning to the previous step; and

returning to the very first step when the erase/record command demands a return to a non-programming mode.]

[26. The method of claim 25, wherein reprogramming starts only when the LCD monitor system is not operating in a normal mode.]

[27. The method of claim 25, wherein the LCD monitor system continues to operate in a normal video transmission mode when the tapped consecutive address sequence does not match any pre-set address sequence.]

28. A display device for reprogramming the function of a display system, comprising:

first means for detecting one or more first signals transmitted through a video signal interface and determining whether to generate one or more second signals indicative of a switching from a normal mode to a reprogramming mode according to the one or more first signals;

13

second means, coupled to the first means, the second means for switching from the normal mode to the reprogramming mode in response to the one or more second signals, wherein

in the normal mode, the second means transmits one or more third signals transmitted through the video signal interface to one or more imaging-processing circuits for receiving image processing, and

in the reprogramming mode, the second means converts one or more fourth signals into one or more fifth signals for modifying a content of a memory within the display system so as to reprogram the function of the display system.

29. *The display device of claim 28, wherein in the reprogramming mode, the one or more fourth signals comprise recording commands and recording data, and the one or more fifth signals comprises erase/read/write signals and addresses and data signals such that the content of the memory is modified according to the erase/read/write signals and the addresses and data signals.*

30. *The display device of claim 28, wherein in the reprogramming mode, the one or more second signals comprise video signals such that the image processing is performed on the video signals.*

31. *The display device of claim 28, wherein the first means determines whether a consecutive address sequence represented by the one or more first signals matches that of a pre-set address sequence and generates the one or more second signals indicative of a switching from the normal mode to the reprogramming mode if it determines that the consecutive address sequence matches that of the pre-set address sequence.*

32. *The display device of claim 28, wherein the video signal interface are one or more VGA signal lines.*

33. *The display device of claim 28, wherein the memory is a non-volatile memory.*

34. *The display device of claim 28, wherein the second means switches from the normal mode to the reprogramming mode by switching from a video path to a recording path.*

35. *A display system, comprising:*

first means for transmitting one or more video signals;
second means for storing data related to the function of the display system;

third means, coupled to the first means and the second means, for receiving one or more first signals transmitted through the first means and determining whether to switch from a normal mode to a reprogramming mode according to the one or more first signals, wherein

in the normal mode, the third means receives one or more second signals transmitted through the first means and controls the one or more second signals to receive image processing, and

in the reprogramming mode, the third means receives one or more third signals and modifies a content of the second means so as to reprogram the function of the display system according to the one or more third signals.

36. *The display system of claim 35, wherein the one or more second signals comprise video signals such that the image processing is performed on the video signals and wherein the one or more third signals comprise recording commands and recording data such that the content of the second means is modified according to the recording commands and the recording data.*

37. *The display system of claim 35, wherein the third means further determines whether to return to the normal mode from the reprogramming mode according to the recording commands.*

14

38. *The display system of claim 35, wherein the third means converts the recording commands into erase/read/write signals and converting the recording data into addresses and data signals so as to modify the content of the second means according to the erase/read/write signals and the addresses and data signals.*

39. *The display system of claim 35, wherein the third means determines whether a consecutive address sequence represented by the one or more first signals matches that of a pre-set address sequence and determines to switch to the reprogramming mode if it determines that the consecutive address sequence matches that of the pre-set address sequence.*

40. *The display system of claim 35, wherein the first means are the video signal interface.*

41. *The display system of claim 35, wherein the second means is a non-volatile memory.*

42. *The display system of claim 35, wherein the third means switches from the normal mode to the reprogramming mode by switching from a video path arranged for transmitting the one or more second signals to one or more imaging-processing circuits, to a recording path arranged for transmitting the one or more second signals to a decoder coupled to the second means.*

43. *The display system of claim 35, wherein the third means switches from the normal mode to the reprogramming mode by switching from a video path coupled to one or more imaging-processing circuits for performing the image processing, to a recording path coupled to the second means.*

44. *A display device for reprogramming the function of a display system, comprising:*

a signal detector for detecting signals transmitted through a video signal interface;

an activation and command decoder device, coupled to the signal detector to determine whether to switch from a normal mode to a reprogramming mode in response to the detection performed by the signal detector, wherein

in the normal mode, the activation and command decoder device controls signals transmitted through the video signal interface to receive image processing, and

in the reprogramming mode, the activation and command decoder device generates data for modifying a content of a memory within the display system according to data received through the video signal interface so as to reprogram the function of the display system according to the generated data.

45. *A display system, comprising:*

a video signal interface;

a memory for storing data related to at least one function of the display system;

a display device, coupled to the video signal interface and the memory, for determining whether to switch from a normal mode to a reprogramming mode according to one or more signals received from the video signal interface, wherein

in the normal mode, the display device controls signals received through the video signal interface to receive image processing, and

in the reprogramming mode, the display device generates data for modifying a content of the memory according to data received through the video signal interface so as to reprogram the function of the display system according to the generated data.

UNITED STATES PATENT AND TRADEMARK OFFICE
CERTIFICATE OF CORRECTION

PATENT NO. : RE45,305 E
APPLICATION NO. : 13/904463
DATED : December 30, 2014
INVENTOR(S) : Tsai

Page 1 of 1

It is certified that error appears in the above-identified patent and that said Letters Patent is hereby corrected as shown below:

In the Specification

Column 1, line 9, above the heading, "CROSS-REFERENCE TO RELATED APPLICATION" insert: -- Notice: More than one reissue application has been filed for the reissue of patent 6,697,058. The reissue applications are 11/361,037 (now RE40,422 E), 11/361,038 (now RE40,574 E), 12/243,919 (now RE41,966 E), 12/906,031 (now RE44,388 E), 13/904,463 (the present application; now RE45,305 E) and 14/470,681. --.

Signed and Sealed this
Twenty-ninth Day of September, 2015



Michelle K. Lee
Director of the United States Patent and Trademark Office