

US00RE45291E

(19) **United States**  
(12) **Reissued Patent**  
Nathan et al.

(10) **Patent Number:** **US RE45,291 E**  
(45) **Date of Reissued Patent:** **Dec. 16, 2014**

(54) **VOLTAGE-PROGRAMMING SCHEME FOR CURRENT-DRIVEN AMOLED DISPLAYS**

(71) Applicant: **Ignis Innovation Inc.**, Waterloo (CA)  
(72) Inventors: **Arokia Nathan**, Cambridge (GB);  
**Richard I-Heng Huang**, Waterloo (CA);  
**Stefan Alexander**, Elmira (CA)  
(73) Assignee: **Ignis Innovation Inc.**, Waterloo (CA)

(21) Appl. No.: **14/090,320**

(22) Filed: **Nov. 26, 2013**

**Related U.S. Patent Documents**

Reissue of:

(64) Patent No.: **8,232,939**  
Issued: **Jul. 31, 2012**  
Appl. No.: **13/396,375**  
Filed: **Feb. 14, 2012**

U.S. Applications:

(63) Continuation of application No. 11/571,480, filed as application No. PCT/CA2005/001007 on Jun. 28, 2005, now Pat. No. 8,115,707.

(30) **Foreign Application Priority Data**

Jun. 29, 2004 (CA) ..... 2472671

(51) **Int. Cl.**  
**G09G 3/30** (2006.01)

(52) **U.S. Cl.**  
USPC ..... **345/78**; 345/76; 345/214; 345/600;  
315/169.3

(58) **Field of Classification Search**  
USPC ..... 345/76-83, 204-214, 600-605,  
345/690-699, 169.3

See application file for complete search history.

(56) **References Cited**

U.S. PATENT DOCUMENTS

3,506,851 A 4/1970 Polkinghorn et al.  
3,774,055 A 11/1973 Bapat et al.  
4,090,096 A 5/1978 Nagami  
4,160,934 A 7/1979 Kirsch  
4,354,162 A 10/1982 Wright  
4,758,831 A 7/1988 Kasahara et al.  
4,943,956 A 7/1990 Noro

(Continued)

FOREIGN PATENT DOCUMENTS

CA 1 294 034 1/1992  
CA 2 109 951 11/1992

(Continued)

OTHER PUBLICATIONS

Ahnood et al.: "Effect of threshold voltage instability on field effect mobility in thin film transistors deduced from constant current measurements"; dated Aug. 2009 (3 pages).

(Continued)

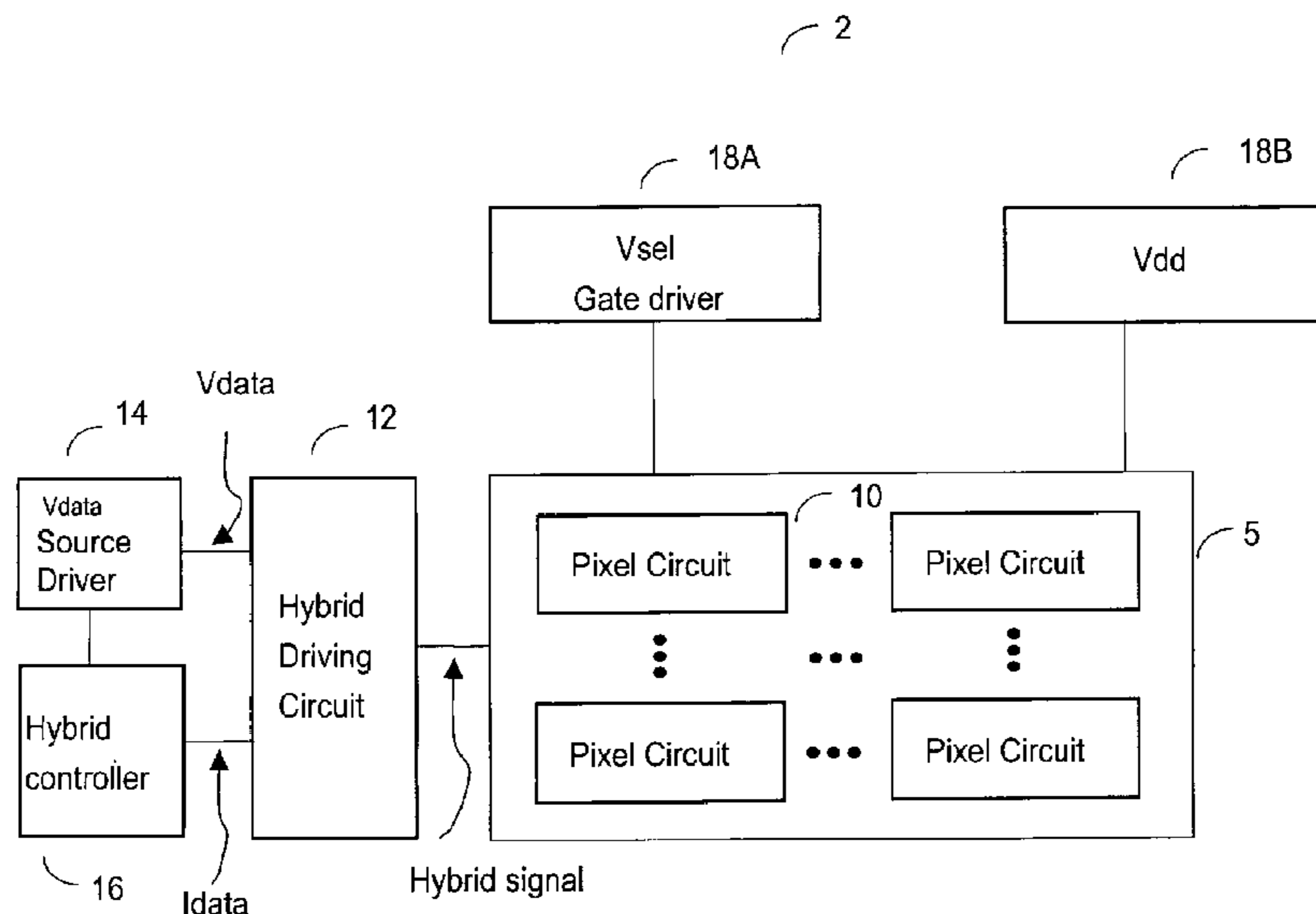
*Primary Examiner* — Dmitriy Bolotin

(74) *Attorney, Agent, or Firm* — Nixon Peabody LLP

(57) **ABSTRACT**

A system and method for driving an AMOLED display is provided. The AMOLED display includes a plurality of pixel circuits. A voltage-programming scheme, a current-programming scheme or a combination thereof is applied to drive the display. Threshold shift information, and/or voltage necessary to obtain hybrid driving circuit may be acquired. A data sampling may be implemented to acquire a current/voltage relationship. A feedback operation may be implemented to correct the brightness of the pixel.

**70 Claims, 23 Drawing Sheets**



(56)

## References Cited

## U.S. PATENT DOCUMENTS

4,963,860	A	10/1990	Stewart	6,373,454	B1	4/2002	Knapp et al.
4,975,691	A	12/1990	Lee	6,384,427	B1	5/2002	Yamazaki et al.
4,996,523	A	2/1991	Bell et al.	6,392,617	B1 *	5/2002	Gleason ..... 345/82
5,051,739	A	9/1991	Hayashida et al.	6,399,988	B1	6/2002	Yamazaki
5,153,420	A	10/1992	Hack et al.	6,414,661	B1	7/2002	Shen et al.
5,198,803	A	3/1993	Shie et al.	6,417,825	B1	7/2002	Stewart et al.
5,204,661	A	4/1993	Hack et al.	6,420,758	B1	7/2002	Nakajima
5,222,082	A	6/1993	Plus	6,420,834	B2	7/2002	Yamazaki et al.
5,266,515	A	11/1993	Robb et al.	6,420,988	B1	7/2002	Azami et al.
5,489,918	A	2/1996	Mosier	6,433,488	B1	8/2002	Bu
5,498,880	A	3/1996	Lee et al.	6,437,106	B1	8/2002	Stoner et al.
5,572,444	A	11/1996	Lentz et al.	6,445,369	B1	9/2002	Yang et al.
5,589,847	A	12/1996	Lewis	6,445,376	B2	9/2002	Parrish
5,619,033	A	4/1997	Weisfield	6,468,638	B2	10/2002	Jacobsen et al.
5,648,276	A	7/1997	Hara et al.	6,475,845	B2	11/2002	Kimura
5,670,973	A	9/1997	Bassetti et al.	6,489,952	B1	12/2002	Tanaka et al.
5,686,935	A	11/1997	Weisbrod	6,501,098	B2	12/2002	Yamazaki
5,691,783	A	11/1997	Numao et al.	6,501,466	B1	12/2002	Yamagishi et al.
5,712,653	A	1/1998	Katoh et al.	6,512,271	B1	1/2003	Yamazaki et al.
5,714,968	A	2/1998	Ikeda	6,518,594	B1	2/2003	Nakajima et al.
5,723,950	A	3/1998	Wei et al.	6,522,315	B2	2/2003	Ozawa et al.
5,744,824	A	4/1998	Kousai et al.	6,524,895	B2	2/2003	Yamazaki et al.
5,745,660	A	4/1998	Kolpatzik et al.	6,525,683	B1	2/2003	Gu
5,747,928	A	5/1998	Shanks et al.	6,531,713	B1	3/2003	Yamazaki
5,748,160	A	5/1998	Shieh et al.	6,531,827	B2	3/2003	Kawashima
5,784,042	A	7/1998	Ono et al.	6,542,138	B1	4/2003	Shannon et al.
5,790,234	A	8/1998	Matsuyama	6,559,594	B2	5/2003	Fukunaga et al.
5,815,303	A	9/1998	Berlin	6,573,195	B1	6/2003	Yamazaki et al.
5,870,071	A	2/1999	Kawahata	6,573,584	B1	6/2003	Nagakari et al.
5,874,803	A	2/1999	Garbuzov et al.	6,576,926	B1	6/2003	Yamazaki et al.
5,880,582	A	3/1999	Sawada	6,580,408	B1	6/2003	Bae et al.
5,903,248	A	5/1999	Irwin	6,580,657	B2	6/2003	Sanford et al.
5,917,280	A	6/1999	Burrows et al.	6,583,398	B2	6/2003	Harkin
5,923,794	A	7/1999	McGrath et al.	6,583,775	B1	6/2003	Sekiya et al.
5,945,972	A	8/1999	Okumura et al.	6,583,776	B2	6/2003	Yamazaki et al.
5,949,398	A	9/1999	Kim	6,587,086	B1	7/2003	Koyama
5,952,789	A	9/1999	Stewart et al.	6,593,691	B2	7/2003	Nishi et al.
5,952,991	A	9/1999	Akiyama et al.	6,594,606	B2	7/2003	Everitt
5,982,104	A	11/1999	Sasaki et al.	6,597,203	B2	7/2003	Forbes
5,990,629	A	11/1999	Yamada et al.	6,611,108	B2	8/2003	Kimura
6,023,259	A	2/2000	Howard et al.	6,617,644	B1	9/2003	Yamazaki et al.
6,069,365	A	5/2000	Chow et al.	6,618,030	B2	9/2003	Kane et al.
6,081,131	A	6/2000	Ishii	6,639,244	B1	10/2003	Yamazaki et al.
6,091,203	A	7/2000	Kawashima et al.	6,641,933	B1	11/2003	Yamazaki et al.
6,097,360	A	8/2000	Holloman	6,661,180	B2	12/2003	Koyama
6,144,222	A	11/2000	Ho	6,661,397	B2	12/2003	Mikami et al.
6,157,583	A	12/2000	Starnes et al.	6,668,645	B1	12/2003	Gilmour et al.
6,166,489	A	12/2000	Thompson et al.	6,670,637	B2	12/2003	Yamazaki et al.
6,177,915	B1	1/2001	Beeteson et al.	6,677,713	B1	1/2004	Sung
6,225,846	B1	5/2001	Wada et al.	6,680,577	B1	1/2004	Inukai et al.
6,229,506	B1	5/2001	Dawson et al.	6,680,580	B1	1/2004	Sung
6,229,508	B1	5/2001	Kane	6,687,266	B1	2/2004	Ma et al.
6,232,939	B1	5/2001	Saito et al.	6,690,000	B1	2/2004	Muramatsu et al.
6,246,180	B1	6/2001	Nishigaki	6,690,344	B1	2/2004	Takeuchi et al.
6,252,248	B1	6/2001	Sano et al.	6,693,388	B2	2/2004	Oomura
6,259,424	B1	7/2001	Kurogane	6,693,610	B2	2/2004	Shannon et al.
6,262,589	B1	7/2001	Tamukai	6,697,057	B2	2/2004	Koyama et al.
6,271,825	B1	8/2001	Greene et al.	6,720,942	B2	4/2004	Lee et al.
6,274,887	B1	8/2001	Yamazaki et al.	6,724,151	B2	4/2004	Yoo
6,288,696	B1	9/2001	Holloman	6,734,636	B2	5/2004	Sanford et al.
6,300,928	B1	10/2001	Kim	6,738,034	B2	5/2004	Kaneko et al.
6,303,963	B1	10/2001	Ohtani et al.	6,738,035	B1	5/2004	Fan
6,304,039	B1	10/2001	Appelberg et al.	6,753,655	B2	6/2004	Shih et al.
6,306,694	B1	10/2001	Yamazaki et al.	6,753,834	B2	6/2004	Mikami et al.
6,307,322	B1	10/2001	Dawson et al.	6,756,741	B2	6/2004	Li
6,310,962	B1	10/2001	Chung et al.	6,756,952	B1	6/2004	Decaux et al.
6,316,786	B1	11/2001	Mueller et al.	6,756,985	B1	6/2004	Hirotsune et al.
6,320,325	B1	11/2001	Cok et al.	6,771,028	B1	8/2004	Winters
6,323,631	B1	11/2001	Juang	6,777,712	B2	8/2004	Sanford et al.
6,323,832	B1	11/2001	Nishizawa et al.	6,777,888	B2	8/2004	Kondo
6,345,085	B1	2/2002	Yeo et al.	6,780,687	B2	8/2004	Nakajima et al.
6,348,835	B1	2/2002	Sato et al.	6,781,567	B2	8/2004	Kimura
6,356,029	B1	3/2002	Hunter	6,806,497	B2	10/2004	Jo
6,365,917	B1	4/2002	Yamazaki	6,806,638	B2	10/2004	Lih et al.
6,373,453	B1	4/2002	Yudasaka	6,806,857	B2	10/2004	Sempel et al.
				6,809,706	B2	10/2004	Shimoda
				6,815,975	B2	11/2004	Nara et al.
				6,828,950	B2	12/2004	Koyama
				6,853,371	B2	2/2005	Miyajima et al.

(56)

## References Cited

## U.S. PATENT DOCUMENTS

6,859,193 B1	2/2005	Yumoto	7,402,467 B1	7/2008	Kadono et al.
6,861,670 B1	3/2005	Ohtani et al.	7,411,571 B2	8/2008	Huh
6,873,117 B2	3/2005	Ishizuka	7,414,600 B2	8/2008	Nathan et al.
6,873,320 B2	3/2005	Nakamura	7,423,617 B2	9/2008	Giraldo et al.
6,876,346 B2	4/2005	Anzai et al.	7,432,885 B2	10/2008	Asano et al.
6,878,968 B1	4/2005	Ohnuma	7,474,285 B2	1/2009	Kimura
6,885,356 B2	4/2005	Hashimoto	7,485,478 B2	2/2009	Yamagata et al.
6,900,485 B2	5/2005	Lee	7,502,000 B2	3/2009	Yuki et al.
6,903,734 B2	6/2005	Eu	7,528,812 B2	5/2009	Tsuge et al.
6,909,114 B1	6/2005	Yamazaki	7,535,449 B2	5/2009	Miyazawa
6,909,243 B2	6/2005	Inukai	7,554,512 B2	6/2009	Steer
6,909,419 B2	6/2005	Zavracky et al.	7,569,849 B2	8/2009	Nathan et al.
6,911,960 B1	6/2005	Yokoyama	7,576,718 B2	8/2009	Miyazawa
6,911,964 B2	6/2005	Lee et al.	7,580,012 B2	8/2009	Kim et al.
6,914,448 B2	7/2005	Jinno	7,589,707 B2	9/2009	Chou
6,919,871 B2	7/2005	Kwon	7,609,239 B2	10/2009	Chang
6,924,602 B2	8/2005	Komiya	7,619,594 B2	11/2009	Hu
6,937,215 B2	8/2005	Lo	7,619,597 B2	11/2009	Nathan et al.
6,937,220 B2	8/2005	Kitaura et al.	7,633,470 B2	12/2009	Kane
6,940,214 B1	9/2005	Komiya et al.	7,656,370 B2	2/2010	Schneider et al.
6,943,500 B2	9/2005	LeChevalier	7,697,052 B1	4/2010	Yamazaki et al.
6,947,022 B2	9/2005	McCartney	7,800,558 B2	9/2010	Routley et al.
6,954,194 B2	10/2005	Matsumoto et al.	7,825,419 B2	11/2010	Yamagata et al.
6,956,547 B2 *	10/2005	Bae et al. .... 345/77	7,847,764 B2	12/2010	Cok et al.
6,975,142 B2	12/2005	Azami et al.	7,859,492 B2	12/2010	Kohno
6,975,332 B2	12/2005	Arnold et al.	7,868,859 B2	1/2011	Tomida et al.
6,995,510 B2	2/2006	Murakami et al.	7,876,294 B2	1/2011	Sasaki et al.
6,995,519 B2	2/2006	Arnold et al.	7,924,249 B2	4/2011	Nathan et al.
7,022,556 B1	4/2006	Adachi	7,932,883 B2	4/2011	Klompenhouwer et al.
7,023,408 B2	4/2006	Chen et al.	7,948,170 B2	5/2011	Striakhilev et al.
7,027,015 B2	4/2006	Booth, Jr. et al.	7,969,390 B2	6/2011	Yoshida
7,027,078 B2	4/2006	Reihl	7,978,187 B2	7/2011	Nathan et al.
7,034,793 B2	4/2006	Sekiya et al.	7,994,712 B2	8/2011	Sung et al.
7,038,392 B2	5/2006	Libsch et al.	7,995,010 B2	8/2011	Yamazaki et al.
7,057,359 B2	6/2006	Hung et al.	8,026,876 B2	9/2011	Nathan et al.
7,061,451 B2	6/2006	Kimura	8,044,893 B2	10/2011	Nathan et al.
7,064,733 B2	6/2006	Cok et al.	8,049,420 B2	11/2011	Tamura et al.
7,071,932 B2	7/2006	Libsch et al.	8,077,123 B2	12/2011	Naugler, Jr.
7,088,051 B1 *	8/2006	Cok ..... 315/169.1	8,115,707 B2	2/2012	Nathan et al.
7,088,052 B2	8/2006	Kimura	8,223,177 B2	7/2012	Nathan et al.
7,102,378 B2	9/2006	Kuo et al.	8,232,939 B2	7/2012	Nathan et al.
7,106,285 B2	9/2006	Naugler	8,259,044 B2	9/2012	Nathan et al.
7,112,820 B2	9/2006	Chang et al.	8,264,431 B2	9/2012	Bulovic et al.
7,116,058 B2	10/2006	Lo et al.	8,279,143 B2	10/2012	Nathan et al.
7,119,493 B2	10/2006	Fryer et al.	8,339,386 B2	12/2012	Leon et al.
7,122,835 B1	10/2006	Ikeda et al.	8,378,362 B2	2/2013	Heo et al.
7,127,380 B1	10/2006	Iverson et al.	8,493,295 B2	7/2013	Yamazaki et al.
7,129,914 B2	10/2006	Knapp et al.	8,497,525 B2	7/2013	Yamagata et al.
7,129,917 B2	10/2006	Yamazaki et al.	2001/0002703 A1	6/2001	Koyama
7,141,821 B1	11/2006	Yamazaki et al.	2001/0004190 A1	6/2001	Nishi et al.
7,164,417 B2	1/2007	Cok	2001/0009283 A1	7/2001	Arao et al.
7,193,589 B2	3/2007	Yoshida et al.	2001/0013806 A1	8/2001	Notani
7,199,516 B2	4/2007	Seo et al.	2001/0015653 A1	8/2001	De Jong et al.
7,220,997 B2	5/2007	Nakata	2001/0020926 A1	9/2001	Kuijk
7,224,332 B2	5/2007	Cok	2001/0024181 A1	9/2001	Kubota
7,227,519 B1	6/2007	Kawase et al.	2001/0024186 A1	9/2001	Kane et al.
7,235,810 B1	6/2007	Yamazaki et al.	2001/0026127 A1	10/2001	Yoneda et al.
7,245,277 B2 *	7/2007	Ishizuka ..... 345/78	2001/0026179 A1	10/2001	Saeki
7,248,236 B2	7/2007	Nathan et al.	2001/0026257 A1	10/2001	Kimura
7,262,753 B2	8/2007	Tanghe et al.	2001/0030323 A1	10/2001	Ikeda
7,264,979 B2	9/2007	Yamagata et al.	2001/0033199 A1	10/2001	Aoki
7,274,345 B2 *	9/2007	Imamura et al. .... 345/76	2001/0038098 A1	11/2001	Yamazaki et al.
7,274,363 B2	9/2007	Ishizuka et al.	2001/0040541 A1	11/2001	Yoneda et al.
7,279,711 B1	10/2007	Yamazaki et al.	2001/0043173 A1	11/2001	Troutman
7,304,621 B2	12/2007	Oomori et al.	2001/0045929 A1	11/2001	Prache et al.
7,310,092 B2	12/2007	Imamura	2001/0052606 A1	12/2001	Sempel et al.
7,315,295 B2	1/2008	Kimura	2001/0052898 A1	12/2001	Osame et al.
7,317,429 B2	1/2008	Shirasaki et al.	2001/0052940 A1	12/2001	Hagihara et al.
7,319,465 B2	1/2008	Mikami et al.	2002/0000576 A1	1/2002	Inukai
7,321,348 B2	1/2008	Cok et al.	2002/0011796 A1	1/2002	Koyama
7,339,560 B2	3/2008	Sun	2002/0011799 A1	1/2002	Kimura
7,339,636 B2	3/2008	Voloschenko et al.	2002/0011981 A1	1/2002	Kuijk
7,355,574 B1	4/2008	Leon et al.	2002/0012057 A1	1/2002	Kimura
7,358,941 B2	4/2008	Ono et al.	2002/0014851 A1	2/2002	Tai et al.
7,368,868 B2	5/2008	Sakamoto	2002/0015031 A1	2/2002	Fujita et al.
			2002/0015032 A1	2/2002	Koyama et al.
			2002/0018034 A1	2/2002	Ohki et al.
			2002/0030190 A1	3/2002	Ohtani et al.
			2002/0030528 A1	3/2002	Matsumoto et al.

(56)

## References Cited

## U.S. PATENT DOCUMENTS

2002/0030647	A1	3/2002	Hack et al.	2004/0100427	A1	5/2004	Miyazawa
2002/0036463	A1	3/2002	Yoneda et al.	2004/0108518	A1	6/2004	Jo
2002/0047565	A1	4/2002	Nara et al.	2004/0113903	A1	6/2004	Mikami et al.
2002/0047852	A1	4/2002	Inukai et al.	2004/0129933	A1	7/2004	Nathan et al.
2002/0048829	A1	4/2002	Yamazaki et al.	2004/0130516	A1	7/2004	Nathan et al.
2002/0050795	A1	5/2002	Imura	2004/0135749	A1	7/2004	Kondakov et al.
2002/0052086	A1	5/2002	Maeda	2004/0145547	A1	7/2004	Oh
2002/0053401	A1	5/2002	Ishikawa et al.	2004/0150592	A1*	8/2004	Mizukoshi et al. .... 345/76
2002/0067134	A1	6/2002	Kawashima	2004/0150594	A1	8/2004	Koyama et al.
2002/0070909	A1	6/2002	Asano et al.	2004/0150595	A1	8/2004	Kasai
2002/0080108	A1	6/2002	Wang	2004/0155841	A1	8/2004	Kasai
2002/0084463	A1	7/2002	Sanford et al.	2004/0174347	A1*	9/2004	Sun et al. .... 345/204
2002/0101172	A1	8/2002	Bu	2004/0174349	A1	9/2004	Libsch
2002/0101433	A1	8/2002	McKnight	2004/0174354	A1	9/2004	Ono et al.
2002/0105279	A1	8/2002	Kimura	2004/0178743	A1	9/2004	Miller et al.
2002/0113248	A1	8/2002	Yamagata et al.	2004/0183759	A1	9/2004	Stevenson et al.
2002/0117722	A1	8/2002	Osada et al.	2004/0189627	A1	9/2004	Shirasaki et al.
2002/0122308	A1*	9/2002	Ikeda ..... 362/259	2004/0196275	A1	10/2004	Hattori
2002/0130686	A1	9/2002	Forbes	2004/0201554	A1	10/2004	Satoh
2002/0154084	A1	10/2002	Tanaka et al.	2004/0207615	A1	10/2004	Yumoto
2002/0158587	A1	10/2002	Komiya	2004/0239596	A1*	12/2004	Ono et al. .... 345/76
2002/0158666	A1	10/2002	Azami et al.	2004/0252089	A1	12/2004	Ono et al.
2002/0158823	A1	10/2002	Zavracky et al.	2004/0257313	A1	12/2004	Kawashima et al.
2002/0163314	A1	11/2002	Yamazaki et al.	2004/0257353	A1	12/2004	Imamura et al.
2002/0167471	A1*	11/2002	Everitt ..... 345/76	2004/0257355	A1	12/2004	Naugler
2002/0167474	A1	11/2002	Everitt	2004/0263437	A1	12/2004	Hattori
2002/0180369	A1	12/2002	Koyama	2004/0263444	A1	12/2004	Kimura
2002/0180721	A1	12/2002	Kimura et al.	2004/0263445	A1	12/2004	Inukai et al.
2002/0186214	A1	12/2002	Siwinski	2004/0263541	A1	12/2004	Takeuchi et al.
2002/0190332	A1	12/2002	Lee et al.	2005/0007355	A1	1/2005	Miura
2002/0190924	A1	12/2002	Asano et al.	2005/0007357	A1	1/2005	Yamashita et al.
2002/0190971	A1	12/2002	Nakamura et al.	2005/0014891	A1	1/2005	Quinn
2002/0195967	A1	12/2002	Kim et al.	2005/0017650	A1	1/2005	Fryer et al.
2002/0195968	A1	12/2002	Sanford et al.	2005/0024081	A1	2/2005	Kuo et al.
2003/0020413	A1	1/2003	Oomura	2005/0024393	A1	2/2005	Kondo et al.
2003/0030603	A1	2/2003	Shimoda	2005/0030267	A1	2/2005	Tanghe et al.
2003/0043088	A1	3/2003	Booth et al.	2005/0035709	A1	2/2005	Furuie et al.
2003/0057895	A1	3/2003	Kimura	2005/0057484	A1	3/2005	Diefenbaugh et al.
2003/0058226	A1	3/2003	Bertram et al.	2005/0057580	A1	3/2005	Yamano et al.
2003/0062524	A1	4/2003	Kimura	2005/0067970	A1	3/2005	Libsch et al.
2003/0063081	A1*	4/2003	Kimura et al. .... 345/211	2005/0067971	A1	3/2005	Kane
2003/0071821	A1	4/2003	Sundahl et al.	2005/0068270	A1*	3/2005	Awakura et al. .... 345/76
2003/0076048	A1	4/2003	Rutherford	2005/0068275	A1	3/2005	Kane
2003/0090445	A1	5/2003	Chen et al.	2005/0073264	A1	4/2005	Matsumoto
2003/0090447	A1	5/2003	Kimura	2005/0083323	A1	4/2005	Suzuki et al.
2003/0090481	A1	5/2003	Kimura	2005/0088103	A1*	4/2005	Kageyama et al. .... 315/169.3
2003/0095087	A1	5/2003	Libsch	2005/0110420	A1	5/2005	Arnold et al.
2003/0107560	A1	6/2003	Yumoto et al.	2005/0110807	A1	5/2005	Chang
2003/0111966	A1	6/2003	Mikami et al.	2005/0117096	A1	6/2005	Voloschenko et al.
2003/0122745	A1	7/2003	Miyazawa	2005/0140598	A1*	6/2005	Kim et al. .... 345/76
2003/0122813	A1	7/2003	Ishizuki et al.	2005/0140610	A1	6/2005	Smith et al.
2003/0140958	A1	7/2003	Yang et al.	2005/0145891	A1	7/2005	Abe
2003/0142088	A1	7/2003	LeChevalier	2005/0156831	A1	7/2005	Yamazaki et al.
2003/0151569	A1	8/2003	Lee et al.	2005/0168416	A1*	8/2005	Hashimoto et al. .... 345/76
2003/0156101	A1	8/2003	LeChevalier	2005/0179626	A1	8/2005	Yuki et al.
2003/0169219	A1	9/2003	LeChevalier	2005/0179628	A1	8/2005	Kimura
2003/0174152	A1	9/2003	Noguchi	2005/0185200	A1	8/2005	Tobol
2003/0179626	A1	9/2003	Sanford et al.	2005/0200575	A1	9/2005	Kim et al.
2003/0197663	A1	10/2003	Lee et al.	2005/0206590	A1	9/2005	Sasaki et al.
2003/0206060	A1	11/2003	Suzuki	2005/0219184	A1	10/2005	Zehner et al.
2003/0210256	A1	11/2003	Mori et al.	2005/0225686	A1	10/2005	Brummack et al.
2003/0230141	A1	12/2003	Gilmour et al.	2005/0248515	A1	11/2005	Naugler et al.
2003/0230980	A1	12/2003	Forrest et al.	2005/0260777	A1	11/2005	Brabec et al.
2003/0231148	A1	12/2003	Lin et al.	2005/0269959	A1	12/2005	Uchino et al.
2004/0027063	A1	2/2004	Nishikawa	2005/0269960	A1*	12/2005	Ono et al. .... 315/169.3
2004/0032382	A1	2/2004	Cok et al.	2005/0280615	A1	12/2005	Cok et al.
2004/0056604	A1	3/2004	Shih et al.	2005/0280766	A1	12/2005	Johnson et al.
2004/0066357	A1	4/2004	Kawasaki	2005/0285822	A1	12/2005	Reddy et al.
2004/0070557	A1	4/2004	Asano et al.	2005/0285825	A1	12/2005	Eom et al.
2004/0070565	A1	4/2004	Nayar et al.	2006/0001613	A1	1/2006	Routley et al.
2004/0080262	A1	4/2004	Park et al.	2006/0007072	A1	1/2006	Choi et al.
2004/0080470	A1	4/2004	Yamazaki et al.	2006/0012310	A1	1/2006	Chen et al.
2004/0090186	A1	5/2004	Kanauchi et al.	2006/0012311	A1	1/2006	Ogawa
2004/0090400	A1*	5/2004	Yoo ..... 345/76	2006/0027807	A1	2/2006	Nathan et al.
2004/0095297	A1	5/2004	Libsch et al.	2006/0030084	A1*	2/2006	Young ..... 438/149
				2006/0038758	A1	2/2006	Routley et al.
				2006/0038762	A1	2/2006	Chou
				2006/0050032	A1*	3/2006	Gunner et al. .... 345/82
				2006/0066527	A1	3/2006	Chou

(56)

References Cited

U.S. PATENT DOCUMENTS

2006/0066533 A1 3/2006 Sato et al.  
 2006/0077135 A1 4/2006 Cok et al.  
 2006/0082523 A1 4/2006 Guo et al.  
 2006/0092185 A1 5/2006 Jo et al.  
 2006/0097628 A1 5/2006 Suh et al.  
 2006/0097631 A1 5/2006 Lee  
 2006/0103611 A1 5/2006 Choi  
 2006/0149493 A1 7/2006 Sambandan et al.  
 2006/0158402 A1\* 7/2006 Nathan et al. .... 345/82  
 2006/0170623 A1 8/2006 Naugler, Jr. et al.  
 2006/0176250 A1 8/2006 Nathan et al.  
 2006/0208961 A1 9/2006 Nathan et al.  
 2006/0208971 A1\* 9/2006 Deane ..... 345/76  
 2006/0232522 A1 10/2006 Roy et al.  
 2006/0244697 A1 11/2006 Lee et al.  
 2006/0261841 A1 11/2006 Fish  
 2006/0264143 A1 11/2006 Lee et al.  
 2006/0273997 A1 12/2006 Nathan et al.  
 2006/0284801 A1 12/2006 Yoon et al.  
 2006/0284895 A1 12/2006 Marcu et al.  
 2006/0290618 A1 12/2006 Goto  
 2007/0001937 A1 1/2007 Park et al.  
 2007/0001939 A1\* 1/2007 Hashimoto et al. .... 345/76  
 2007/0008268 A1 1/2007 Park et al.  
 2007/0008297 A1 1/2007 Bassetti  
 2007/0057873 A1 3/2007 Uchino et al.  
 2007/0069998 A1 3/2007 Naugler et al.  
 2007/0075727 A1 4/2007 Nakano et al.  
 2007/0076226 A1 4/2007 Klompenhouwer et al.  
 2007/0080905 A1\* 4/2007 Takahara ..... 345/76  
 2007/0080906 A1 4/2007 Tanabe  
 2007/0080908 A1 4/2007 Nathan et al.  
 2007/0080918 A1 4/2007 Kawachi et al.  
 2007/0097038 A1 5/2007 Yamazaki et al.  
 2007/0097041 A1 5/2007 Park et al.  
 2007/0103419 A1 5/2007 Uchino et al.  
 2007/0115221 A1 5/2007 Buchhauser et al.  
 2007/0182671 A1 8/2007 Nathan et al.  
 2007/0236517 A1 10/2007 Kimpe  
 2007/0241999 A1 10/2007 Lin  
 2007/0273294 A1 11/2007 Nagayama  
 2007/0285359 A1 12/2007 Ono  
 2007/0290958 A1 12/2007 Cok  
 2007/0296672 A1 12/2007 Kim et al.  
 2008/0001525 A1 1/2008 Chao et al.  
 2008/0001544 A1 1/2008 Murakami et al.  
 2008/0036708 A1\* 2/2008 Shirasaki et al. .... 345/76  
 2008/0042942 A1\* 2/2008 Takahashi ..... 345/77  
 2008/0042948 A1 2/2008 Yamashita et al.  
 2008/0048951 A1 2/2008 Naugler, Jr. et al.  
 2008/0055209 A1 3/2008 Cok  
 2008/0074413 A1 3/2008 Ogura  
 2008/0088549 A1 4/2008 Nathan et al.  
 2008/0088648 A1 4/2008 Nathan et al.  
 2008/0117144 A1 5/2008 Nakano et al.  
 2008/0150847 A1 6/2008 Kim et al.  
 2008/0158115 A1 7/2008 Cordes et al.  
 2008/0231558 A1 9/2008 Naugler  
 2008/0231562 A1 9/2008 Kwon  
 2008/0252571 A1 10/2008 Hente et al.  
 2008/0290805 A1 11/2008 Yamada et al.  
 2008/0297055 A1 12/2008 Miyake et al.  
 2009/0032807 A1 2/2009 Shinohara et al.  
 2009/0058772 A1 3/2009 Lee  
 2009/0160743 A1 6/2009 Tomida et al.  
 2009/0174628 A1 7/2009 Wang et al.  
 2009/0184901 A1 7/2009 Kwon  
 2009/0195483 A1 8/2009 Naugler, Jr. et al.  
 2009/0201281 A1 8/2009 Routley et al.  
 2009/0213046 A1\* 8/2009 Nam ..... 345/76  
 2010/0004891 A1 1/2010 Ahlers et al.  
 2010/0026725 A1 2/2010 Smith  
 2010/0039422 A1 2/2010 Seto  
 2010/0060911 A1 3/2010 Marcu et al.  
 2010/0079711 A1 4/2010 Tanaka

2010/0165002 A1 7/2010 Ahn  
 2010/0194670 A1 8/2010 Cok  
 2010/0207960 A1 8/2010 Kimpe et al.  
 2010/0277400 A1 11/2010 Jeong  
 2010/0315319 A1 12/2010 Cok et al.  
 2010/0328294 A1 12/2010 Sasaki et al.  
 2011/0069051 A1 3/2011 Nakamura et al.  
 2011/0069089 A1 3/2011 Kopf et al.  
 2011/0074750 A1 3/2011 Leon et al.  
 2011/0090210 A1 4/2011 Sasaki et al.  
 2011/0149166 A1 6/2011 Botzas et al.  
 2011/0227964 A1 9/2011 Chaji et al.  
 2011/0273399 A1 11/2011 Lee  
 2011/0293480 A1 12/2011 Mueller  
 2012/0056558 A1 3/2012 Toshiya et al.  
 2012/0062565 A1 3/2012 Fuchs et al.  
 2012/0299978 A1 11/2012 Chaji  
 2013/0027381 A1 1/2013 Nathan et al.  
 2013/0032831 A1 2/2013 Chaji et al.  
 2013/0057595 A1 3/2013 Nathan et al.

FOREIGN PATENT DOCUMENTS

CA 2 249 592 7/1998  
 CA 2 368 386 9/1999  
 CA 2 242 720 1/2000  
 CA 2 354 018 6/2000  
 CA 2 432 530 7/2002  
 CA 2 436 451 8/2002  
 CA 2 438 577 8/2002  
 CA 2 483 645 12/2003  
 CA 2 463 653 1/2004  
 CA 2 498 136 3/2004  
 CA 2 522 396 11/2004  
 CA 2 443 206 3/2005  
 CA 2 472 671 12/2005  
 CA 2 567 076 1/2006  
 CA 2 526 782 4/2006  
 CA 2 550 102 4/2008  
 CN 1 381 032 11/2002  
 CN 1 448 908 10/2003  
 CN 1 760 945 4/2006  
 DE 20 2006 005427 6/2006  
 EP 0 158 366 10/1985  
 EP 0 940 796 9/1999  
 EP 1 028 471 8/2000  
 EP 1 103 947 5/2001  
 EP 1 111 577 6/2001  
 EP 1 130 565 A1 9/2001  
 EP 1 184 833 3/2002  
 EP 1 194 013 3/2002  
 EP 1 194 013 4/2002  
 EP 1 310 939 5/2003  
 EP 1 335 430 A1 8/2003  
 EP 1 372 136 12/2003  
 EP 1 381 019 1/2004  
 EP 1 418 566 5/2004  
 EP 1 429 312 A 6/2004  
 EP 1 439 520 7/2004  
 EP 1 465 143 A 10/2004  
 EP 1 467 408 10/2004  
 EP 1 469 448 A 10/2004  
 EP 1 517 290 3/2005  
 EP 1 521 203 A2 4/2005  
 EP 1 594 347 11/2005  
 EP 1 784 055 A2 5/2007  
 EP 1 854 338 A1 11/2007  
 EP 1 879 169 A1 1/2008  
 EP 1 879 172 1/2008  
 GB 2 205 431 12/1988  
 GB 2 389 951 12/2003  
 JP 12-72298 10/1989  
 JP 4-042619 2/1992  
 JP 6-314977 11/1994  
 JP 8-340243 12/1996  
 JP 9 090405 4/1997  
 JP 10-153759 6/1998  
 JP 10-254410 9/1998  
 JP 11-202295 7/1999

(56)

## References Cited

FOREIGN PATENT DOCUMENTS		
JP	11-219146	8/1999
JP	11 231805	8/1999
JP	11-282419	10/1999
JP	2000-056847	2/2000
JP	2000-077192	3/2000
JP	2000-81607	3/2000
JP	2000-089198	3/2000
JP	2000-352941	12/2000
JP	2001-134217	5/2001
JP	2001-195014	7/2001
JP	2002-055654	2/2002
JP	2002-91376	3/2002
JP	2002-514320	5/2002
JP	2002-268576	9/2002
JP	2002-278513	9/2002
JP	2002-333862	11/2002
JP	2003-022035	1/2003
JP	2003-076331	3/2003
JP	2003-124519	4/2003
JP	2003-150082	5/2003
JP	2003-177709	6/2003
JP	2003-271095	9/2003
JP	2003-308046	10/2003
JP	2003-317944	11/2003
JP	2004-145197	5/2004
JP	2004-287345	10/2004
JP	2005-157217	6/2005
JP	4-158570	10/2008
KR	2004-0100887	12/2004
TW	342486	10/1998
TW	473622	1/2002
TW	485337	5/2002
TW	502233	9/2002
TW	538650	6/2003
TW	569173	1/2004
TW	1221268	9/2004
TW	1223092	11/2004
TW	2007-27247	7/2007
WO	WO 94/25954	11/1994
WO	WO 98/48403	10/1998
WO	WO 99/48079	9/1999
WO	WO 01/06484	1/2001
WO	WO 01/27910 A1	4/2001
WO	WO 01/63587 A2	8/2001
WO	03/063124	3/2002
WO	WO 02/067327 A	8/2002
WO	WO 03/001496 A1	1/2003
WO	03/034389	4/2003
WO	WO 03/034389 A	4/2003
WO	WO 03/058594 A1	7/2003
WO	WO 03/063124	7/2003
WO	WO 03/077231	9/2003
WO	WO 03/105117	12/2003
WO	WO 2004/003877	1/2004
WO	WO 2004/025615 A	3/2004
WO	WO 2004/034364	4/2004
WO	WO 2004/047058	6/2004
WO	WO 2004/104975 A1	12/2004
WO	WO 2005/022498	3/2005
WO	WO 2005/022500 A	3/2005
WO	WO 2005/029455	3/2005
WO	WO 2005/029456	3/2005
WO	WO 2005/055185	6/2005
WO	WO 2006/000101 A1	1/2006
WO	WO 2006/053424	5/2006
WO	2006/063448	6/2006
WO	WO 2006/063448 A	6/2006
WO	WO 2006/084360	8/2006
WO	WO 2006/137337	12/2006
WO	WO 2007/003877 A	1/2007
WO	WO 2007/079572	7/2007
WO	WO 2007/120849 A2	10/2007
WO	WO 2009/055920	5/2009
WO	WO 2010/023270	3/2010
WO	WO 2011/041224 A1	4/2011

## OTHER PUBLICATIONS

Alexander et al.: "Unique Electrical Measurement Technology for Compensation, Inspection, and Process Diagnostics of AMOLED HDTV"; dated May 2010 (4 pages).

Chaji et al.: "A Current-Mode Comparator for Digital Calibration of Amorphous Silicon AMOLED Displays"; dated Jul. 2008 (5 pages).

Chaji et al.: "A fast settling current driver based on the CCII for AMOLED displays"; dated Dec. 2009 (6 pages).

Chaji et al.: "A Low-Cost Stable Amorphous Silicon AMOLED Display with Full V~T- and V~O~L~E~D Shift Compensation"; dated May 2007 (4 pages).

Chaji et al.: "A novel a-Si:H AMOLED pixel circuit based on short-term stress stability of a-Si:H TFTs"; dated Oct. 2005 (3 pages).

Chaji et al.: "A Sub- $\mu$ A fast-settling current-programmed pixel circuit for AMOLED displays"; dated Sep. 2007.

Chaji et al.: "An Enhanced and Simplified Optical Feedback Pixel Circuit for AMOLED Displays"; dated Oct. 2006.

Chaji et al.: "Compensation technique for DC and transient instability of thin film transistor circuits for large-area devices"; dated Aug. 2008.

Chaji et al.: "Fast and Offset-Leakage Insensitive Current-Mode Line Driver for Active Matrix Displays and Sensors"; dated Feb. 2009 (8 pages).

Chaji et al.: "Low-Cost AMOLED Television with IGNIS Compensating Technology"; dated May 2008 (4 pages).

Chaji et al.: "Low-Power Low-Cost Voltage-Programmed a-Si:H AMOLED Display"; dated Jun. 2008 (5 pages).

Chaji et al.: "Merged phototransistor pixel with enhanced near infrared response and flicker noise reduction for biomolecular imaging"; dated Nov. 2008 (3 pages).

Chaji et al.: "Stable Pixel Circuit for Small-Area High-Resolution a-Si:H AMOLED Displays"; dated Oct. 2008 (6 pages).

Chaji et al.: "Stable RGBW AMOLED display with OLED degradation compensation using electrical feedback"; dated Feb. 2010 (2 pages).

European Search Report and Written Opinion for Application No. 08865338 mailed Nov. 2, 2011 (7 pages).

European Search Report for European Application No. 10000421.7 mailed Mar. 26, 2012 in corresponding (6 pages).

European Search Report for European Application No. 10834294.0-1903, dated Apr. 8, 2013, (9 pages).

European Search Report for European Application No. EP 011122313 dated Sep. 14, 2005 (4 pages).

European Search Report for European Application No. EP 04786661 dated Mar. 9, 2009.

European Search Report for European Application No. EP 05759141 dated Oct. 30, 2009.

European Search Report for European Application No. EP 05819617 dated Jan. 30, 2009.

European Search Report for European Application No. EP 05821114 dated Mar. 27, 2009 (2 pages).

European Search Report for European Application No. EP 06705133 dated Jul. 18, 2008.

European Search Report for European Application No. EP 06721798 dated Nov. 12, 2009 (2 pages).

European Search Report for European Application No. EP 07710608.6 dated Mar. 19, 2010 (7 pages).

European Search Report for European Application No. EP 07719579 dated May 20, 2009.

European Search Report for European Application No. EP 07815784 dated Jul. 20, 2010 (2 pages).

European Search Report for European Application No. EP 10166143, dated Sep. 3, 2010 (2 pages).

European Search Report for European Application No. EP 11739485.8-1904 dated Aug. 6, 2013, (14 pages).

European Search Report for European Application No. PCT/CA2006/000177 dated Jun. 2, 2006.

European Supplementary Search Report for European Application No. 04786662 dated Jan. 19, 2007 (2 pages).

(56)

**References Cited**

## OTHER PUBLICATIONS

Extended European Search Report for European Application No. .09733076.5 mailed Apr. 27, 2011 issued during prosecution (13 pages).

Extended European Search Report for European Application No. 11168677.0 mailed Nov. 29, 2012, (13 page).

Extended European Search Report for European Application No. 11191641.7 mailed Jul. 11, 2012 (14 pages).

Fossum, Eric R.. "Active Pixel Sensors: Are CCD's Dinosaurs?" SPIE: Symposium on Electronic Imaging. Feb. 1, 1993 (13 pages).

Goh et al., "A New a-Si:H Thin-Film Transistor Pixel Circuit for Active-Matrix Organic Light-Emitting Diodes", IEEE Electron Device Letters, vol. 24, No. 9, Sep. 2003, pp. 583-585.

International Preliminary Report on Patentability, PCT/CA2005/001007 dated Oct. 16, 2006, 4 pages.

International Search Report, PCT/CA02/00180 dated Jul. 31, 2002 (3 pages).

International Search Report, PCT/CA2004/001741 dated Feb. 21, 2005.

International Search Report, PCT/CA2004/001742, Canadian Patent Office, dated Feb. 21, 2005 (2 pages).

International Search Report, PCT/CA2005/001007 dated Oct. 18, 2005.

International Search Report, PCT/CA2005/001844 dated Mar. 28, 2006 (2 pages).

International Search Report, PCT/CA2005/001897 mailed Mar. 21, 2006 (2 pages).

International Search Report, PCT/CA2007/000652 dated Jul. 25, 2007.

International Search Report, PCT/CA2008/002307, mailed Apr. 28, 2009 (3 pages).

International Search Report, PCT/CA2009/000501 mailed Jul. 30, 2009 (4 pages).

International Search Report, PCT/CA2009/001769, dated Apr. 8, 2010 (3 pages).

International Search Report, PCT/IB2010/055481, dated Apr. 7, 2011, 3 pages.

International Search Report, PCT/IB2010/055486, Dated Apr. 19, 2011, 5 pages.

International Search Report, PCT/IB2010/055541 filed Dec. 1, 2010, dated May 26, 2011; 5 pages.

International Search Report, PCT/IB2011/050502, dated Jun. 27, 2011 (6 pages).

International Search Report, PCT/IB2011/051103, dated Jul. 8, 2011, 3 pages.

International Search Report, PCT/IB2011/055135, Canadian Patent Office, dated Apr. 16, 2012 (5 pages).

International Search Report, PCT/IB2012/052372, mailed Sep. 12, 2012 (3 pages).

International Search Report, PCT/IB2013/054251, Canadian Patent Office, dated Sep. 11, 2013; (4 pages).

International Search Report, PCT/JP02/09668 mailed Dec. 3, 2002, (4 pages).

International Written Opinion, PCT/CA2004/001742, Canadian Patent Office, dated Feb. 21, 2005 (5 pages).

International Written Opinion, PCT/CA2005/001897 mailed Mar. 21, 2006 (4 pages).

International Written Opinion, PCT/CA2009/000501 Application No. PCT/CA2009/000501 mailed Jul. 30, 2009 (6 pages).

International Written Opinion, PCT/CA2009/000501 mailed Jul. 30, 2009 for International Application No. PCT/CA2009/000501 (6 pages).

International Written Opinion, PCTAB2010/055486, Dated Apr. 19, 2011, 8 pages.

International Written Opinion, PCTAB2010/055541, dated May 26, 2011; 6 pages.

International Written Opinion, PCT/IB2011/050502 dated Jun. 27, 2011 (7 pages).

International Written Opinion, PCT/IB2011/051103, dated Jul. 8, 2011, 6 pages.

International Written Opinion, PCT/IB2011/055135, Canadian Patent Office, dated Apr. 16, 2012 (5 pages).

International Written Opinion, PCT/IB2012/052372, mailed Sep. 12, 2012 (6 pages).

International Written Opinion, PCT/IB2013/054251, Canadian Intellectual Property Office, dated Sep. 11, 2013; (5 pages).

Jafarabadiashtiani et al.: "A New Driving Method for a-Si AMOLED Displays Based on Voltage Feedback"; dated 2005 (4 pages).

Kanicki, J., et al. "Amorphous Silicon Thin-Film Transistors Based Active-Matrix Organic Light-Emitting Displays." Asia Display: International Display Workshops, Sep. 2001 (pp. 315-318).

Karim, K. S., et al. "Amorphous Silicon Active Pixel Sensor Readout Circuit for Digital Imaging." IEEE: Transactions on Electron Devices. vol. 50, No. 1, Jan. 2003 (pp. 200-208).

Ma e y et al: "Organic Light-Emitting Diode/Thin Film Transistor Integration for foldable Displays" Conference record of the 1997 International display research conference and international workshops on LCD technology and emissive technology. Toronto, Sep. 15-19, 1997 (6 pages).

Machine English translation of JP 2002-333862, 49 pages.

Matsueda y et al.: "35.1: 2.5-in. AMOLED with Integrated 6-bit Gamma Compensated Digital Data Driver"; dated May 2004.

Mendes E., et al. "A High Resolution Switch-Current Memory Base Cell." IEEE: Circuits and Systems. vol. 2, Aug. 1999 (pp. 718-721).

Nathan A. et al., "Thin Film imaging technology on glass and plastic" ICM 2000, proceedings of the 12 international conference on microelectronics, dated Oct. 31, 2001 (4 pages).

Nathan et al., "Amorphous Silicon Thin Film Transistor Circuit Integration for Organic LED Displays on Glass and Plastic", IEEE Journal of Solid-State Circuits, vol. 39, No. 9, Sep. 2004, pp. 1477-1486.

Nathan et al.: "Backplane Requirements for active Matrix Organic Light Emitting Diode Displays,"; dated 2006 (16 pages).

Nathan et al.: "Call for papers second international workshop on compact thin-film transistor (TFT) modeling for circuit simulation"; dated Sep. 2009 (1 page).

Nathan et al.: "Invited Paper: a -Si for AMOLED—Meeting the Performance and Cost Demands of Display Applications (Cell Phone to HDTV)", dated 2006 (4 pages).

Office Action in Japanese patent application No. JP2006-527247 dated Mar. 15, 2010. (8 pages).

Office Action in Japanese patent application No. JP2007-545796 dated Sep. 5, 2011. (8 pages).

Office Action issued in Chinese Patent Application 200910246264.4 Dated Jul. 5, 2013; 8 pages.

Partial European Search Report mailed Mar. 20, 2012 which issued in corresponding European Patent Application No. EP 11191641.7 (8 pages).

Partial European Search Report mailed Sep. 22, 2011 corresponding to European Patent Application No. EP 11168677.0 (5 pages).

Patent Abstracts of Japan, vol. 1997, No. 08, Aug. 29, 1997, & JP 09 090405 A, Apr. 4, 1997 Abstract.

Patent Abstracts of Japan, vol. 1999, No. 13, Nov. 30, 1999, & JP 11 231805 A, Aug. 27, 1999 Abstract.

Patent Abstracts of Japan, vol. 2000, No. 09, Oct. 13, 2000—JP 2000 172199 A, Jun. 3, 2000, abstract.

Patent Abstracts of Japan, vol. 2002, No. 03, Apr. 3, 2002 (Apr. 4, 2004 & JP 2001 318627 A (Semiconductor EnergyLab DO Ltd), Nov. 16, 2001, abstract, paragraphs '01331-01801, paragraph '01691, paragraph '01701, paragraph '01721 and figure 10.

Safavian et al.: "A novel hybrid active-passive pixel with correlated double sampling CMOS readout circuit for medical x-ray imaging"; dated May 2008 (4 pages).

Safavian et al.: "Self-compensated a-Si:H detector with current-mode readout circuit for digital X-ray fluoroscopy"; dated Aug. 2005 (4 pages).

Safavian et al.: "Three-TFT image sensor for real-time digital X-ray imaging"; dated Feb. 2, 2006 (2 pages).

Sanford, James L., et al., "4.2 TFT AMOLED Pixel Circuits and Driving Methods", SID 03 Digest, ISSN/0003, 2003, pp. 10-13.

Search Report for Taiwan Invention Patent Application No. 093128894 dated May 1, 2012. (1 page).

Search Report for Taiwan Invention Patent Application No. 94144535 dated Nov. 1, 2012. (1 page).

(56)

**References Cited**

## OTHER PUBLICATIONS

Singh, et al., "Current Conveyor: Novel Universal Active Block", Samriddhi, S-JPSET vol. I, Issue 1, 2010, pp. 41-48.

Spindler et al., System Considerations for RGBW OLED Displays, Journal of the SID 14/1, 2006, pp. 37-48.

Stewart M. et al., "polysilicon TFT technology for active matrix oled displays" IEEE transactions on electron devices, vol. 48, No. 5, dated May 2001 (7 pages).

Tatsuya Sasaoka et al., 24.4L; Late-News Paper: a 13.0-inch AM-Oled Display with Top Emitting Structure and Adaptive Current Mode Programmed Pixel Circuit (TAC), SID 01 Digest, (2001), pp. 384-387.

Vygranenko et al.: "Stability of indium-oxide thin-film transistors by reactive ion beam assisted deposition"; dated 2009.

Wang et al.: "Indium oxides by reactive ion beam assisted evaporation: From material study to device application"; dated Mar. 2009 (6 pages).

Yi He et al., "Current-Source a-Si:H Thin Film Transistor Circuit for Active-Matrix Organic Light-Emitting Displays", IEEE Electron Device Letters, vol. 21, No. 12, Dec. 2000, pp. 590-592.

Yu, Jennifer: "Improve OLED Technology for Display", Ph.D. Dissertation, Massachusetts Institute of Technology, Sep. 2008 (151 pages).

Zhiguo Meng et al; "24.3: Active-Matrix Organic Light-Emitting Diode Display implemented Using Metal-Induced Unilaterally Crystallized Polycrystalline Silicon Thin-Film Transistors", SID 01 Digest, (2001), pp. 380-383.

Alexander et al.: "Pixel circuits and drive schemes for glass and elastic AMOLED displays"; dated Jul. 2005 (9 pages).

Ashtiani et al.: "AMOLED Pixel Circuit With Electronic Compensation of Luminance Degradation"; dated Mar. 2007 (4 pages).

Chahi et al.: "An Enhanced and Simplified Optical Feedback Pixel Circuit for AMOLED Displays"; dated Oct. 2006.

Chaji et al.: "A low-power driving scheme for a-Si:H active-matrix organic light-emitting diode displays"; dated Jun. 2005 (4 pages).

Chaji et al.: "A low-power high-performance digital circuit for deep submicron technologies"; dated Jun. 2005 (4 pages).

Chaji et al.: "A Novel Driving Scheme and Pixel Circuit for AMOLED Displays"; dated Jun. 2006 (4 pages).

Chaji et al.: "A novel driving scheme for high-resolution large-area a-Si:H AMOLED displays"; dated Aug. 2005 (4 pages).

Chaji et al.: "A Stable Voltage-Programmed Pixel Circuit for a-Si:H AMOLED Displays"; dated Dec. 2006 (12 pages).

Chaji et al.: "Driving scheme for stable operation of 2-TFT a-Si AMOLED pixel"; dated Apr. 2005 (2 pages).

Chaji et al.: "Dynamic-effect compensating technique for stable a-Si:H AMOLED displays"; dated Aug. 2005 (4 pages).

Chaji et al.: "Electrical Compensation of OLED Luminance Degradation"; dated Dec. 2007 (3 pages).

Chaji et al.: "eUTDSP: a design study of a new VLIW-based DSP architecture"; dated May 2003 (4 pages).

Chaji et al.: "High Speed Low Power Adder Design With A New Logic Style: Pseudo Dynamic Logic (SDL)"; dated Oct. 2001 (4 pages).

Chaji et al.: "High-precision, fast current source for large-area current-programmed a-Si flat panels"; dated Sep. 2006 (4 pages).

Chaji et al.: "Low-Cost Stable a-Si:H AMOLED Display for Portable Applications"; dated Jun. 2006 (4 pages).

Chaji et al.: "Parallel Addressing Scheme for Voltage-Programmed Active-Matrix OLED Displays"; dated May 2007 (6 pages).

Chaji et al.: "Pseudo dynamic logic (SDL): a high-speed and low-power dynamic logic family"; dated 2002 (4 pages).

Chaji et al.: "Stable a-Si:H circuits based on short-term stress stability of amorphous silicon thin film transistors"; dated May 2006 (4 pages).

Chaji et al.: "Stable Pixel Circuit for Small-Area High-Resolution a-Si:H AMOLED Displays"; dated 2008 (7 pages).

Chaji et al.: "Thin-Film Transistor Integration for Biomedical Imaging and AMOLED Displays"; dated 2008 (177 pages).

He et al., "Current-Source a-Si:H Thin Film Transistor Circuit for Active-Matrix Organic Light-Emitting Displays", IEEE Electron Device Letters, vol. 21, No. 12, Dec. 2000, pp. 590-592.

Goh et al., "A New a-Si:H Thin Film Transistor Pixel Circuit for Active-Matrix Organic Light-Emitting Diodes", IEEE Electron Device Letters, vol. 24, No. 9, Sep. 2003, 4 pages.

Jafarabadiashtiani et al.: "A New Driving Method for a-Si AMOLED Displays Based on Voltage Feedback"; May 27, 2005 (4 pages).

Lee et al.: "Ambipolar Thin-Film Transistors Fabricated by PECVD Nanocrystalline Silicon"; dated 2006 (6 pages).

Matsueda y et al.: "35.1: 2.5-in. AMOLED with Integrated 6-bit Gamma Compensated Digital Data Driver"; dated May 2004 (4 pages).

Nathan et al., "Amorphous Silicon Thin Film Transistor Circuit Integration Organic LED Displays on Glass and Plastic", IEEE Journal of Solid-State Circuits, vol. 39, No. 9, Sep. 2004, 12 pages.

Nathan et al.: "Driving schemes for a-Si and LTPS AMOLED displays"; dated Dec. 2005 (11 pages).

Philipp: "Charge transfer sensing" Sensor Review, vol. 19, No. 2, Dec. 31, 1999, 10 pages.

Rafati et al.: "Comparison of a 17 b multiplier in Dual-rail domino and in Dual-rail D L (D L) logic styles"; dated 2002 (4 pages).

Safavian et al.: "3-TFT active pixel sensor with correlated double sampling readout circuit for real-time medical x-ray imaging"; dated Jun. 2006 (4 pages).

Safavian et al.: "A novel current scaling active pixel sensor with correlated double sampling readout circuit for real time medical x-ray imaging"; dated May 2007 (7 pages).

Safavian et al.: "Self-compensated a-Si-H detector with current-mode readout circuit for digital X-ray fluoroscopy"; dated Aug. 2005 (4 pages).

Safavian et al.: "TFT active image sensor with current-mode readout circuit for digital x-ray fluoroscopy [5969D-82]"; dated Sep. 2005 (9 pages).

International Preliminary Report on Patentability for International Application No. PCT/CA2005/001007 dated Oct. 16, 2006, 4 pages.

\* cited by examiner



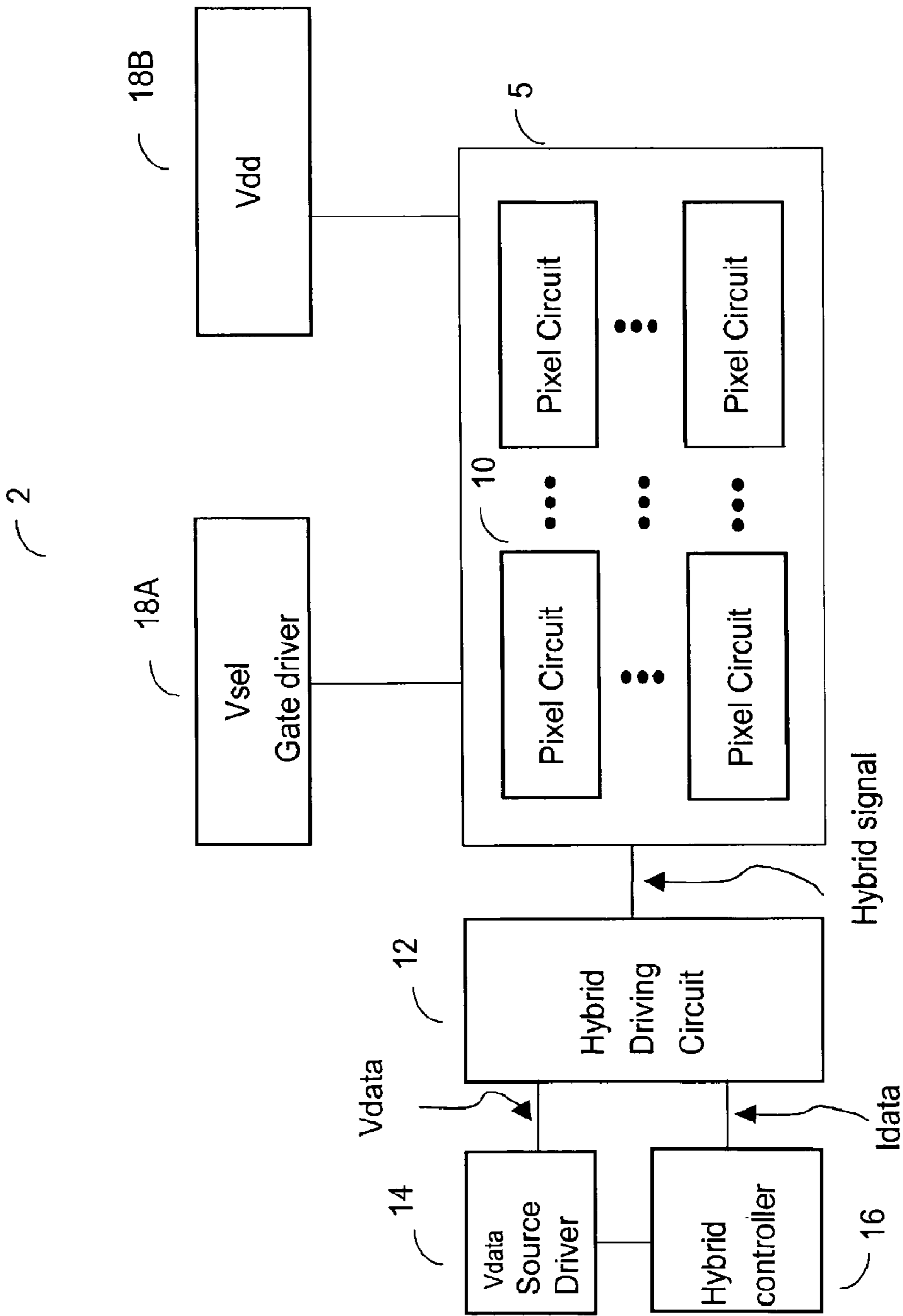


FIG.1

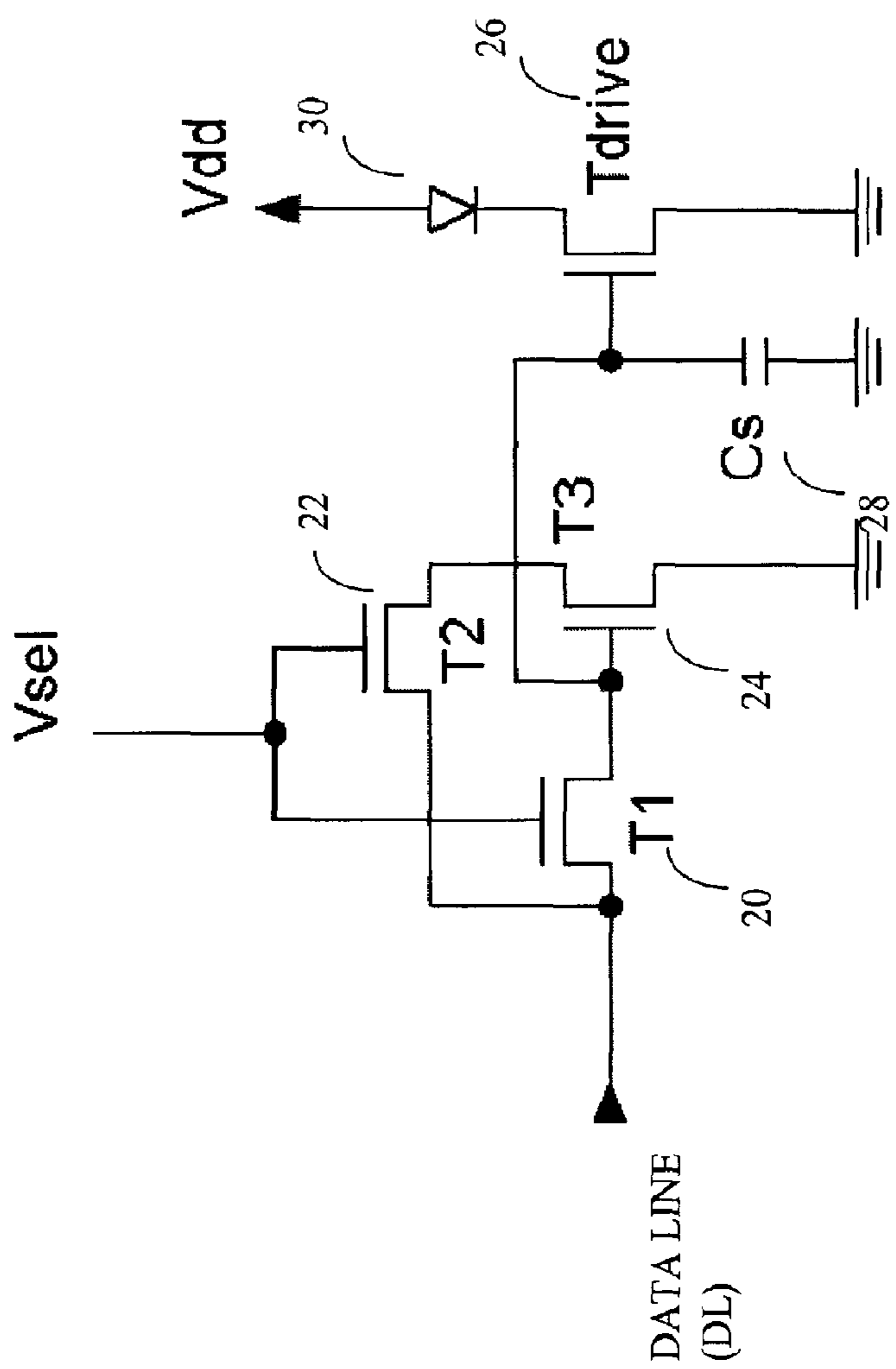


FIG.2

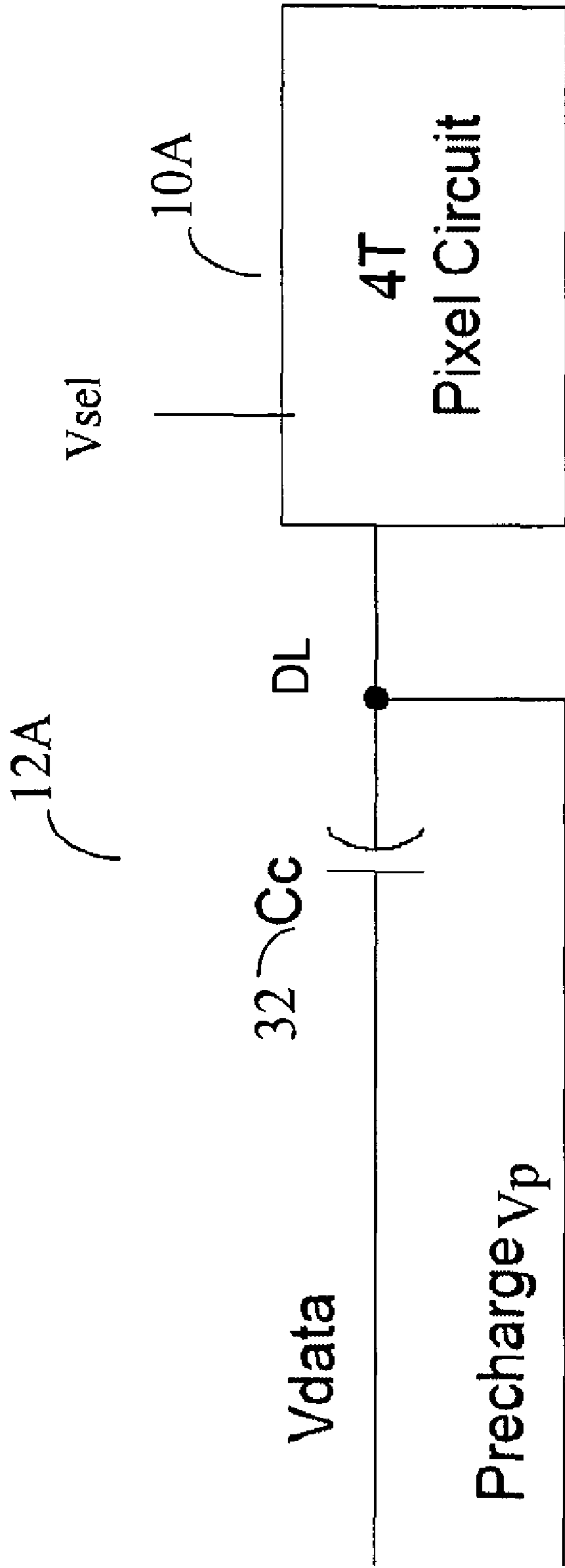


FIG.3

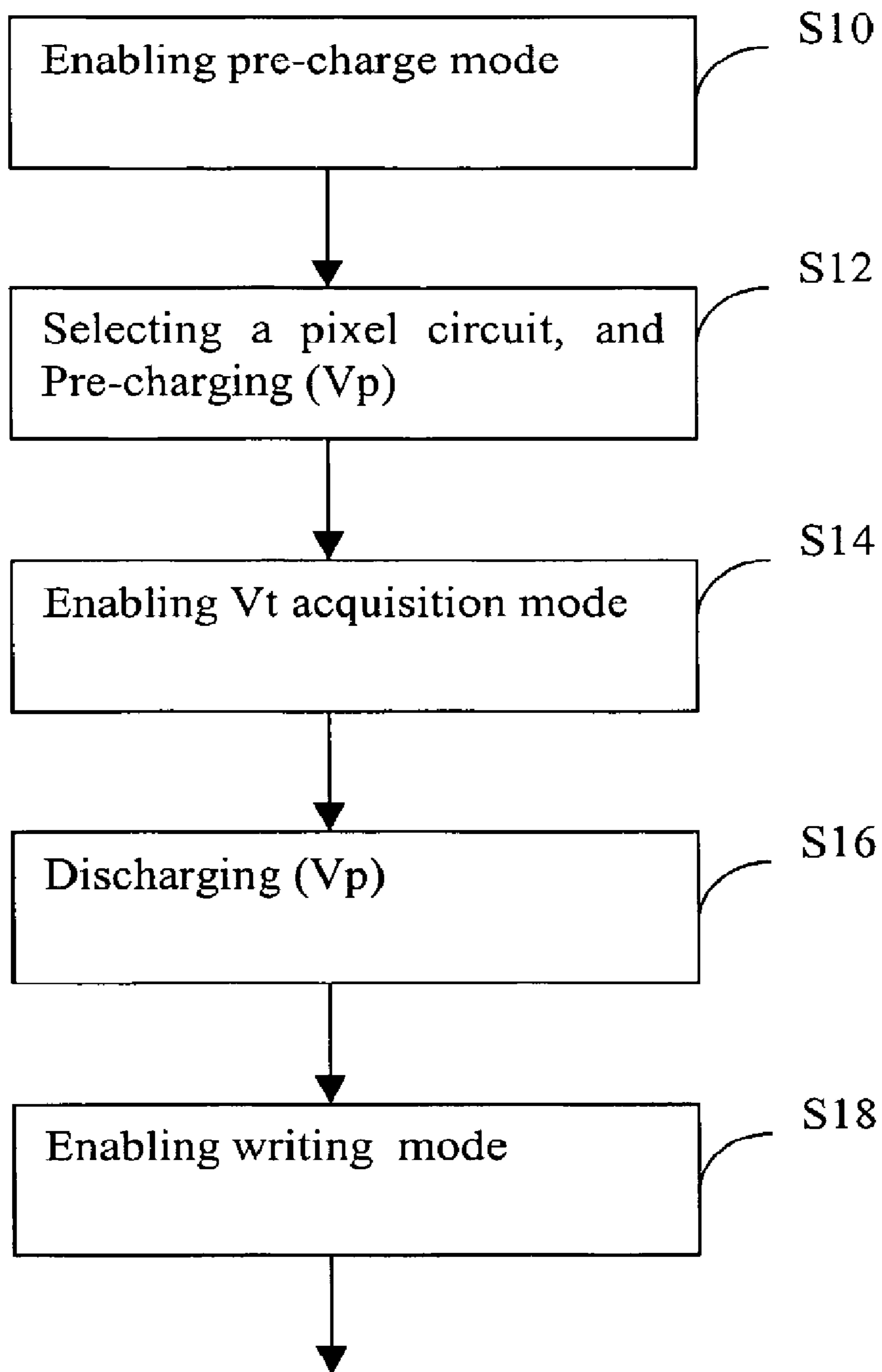


FIG. 4

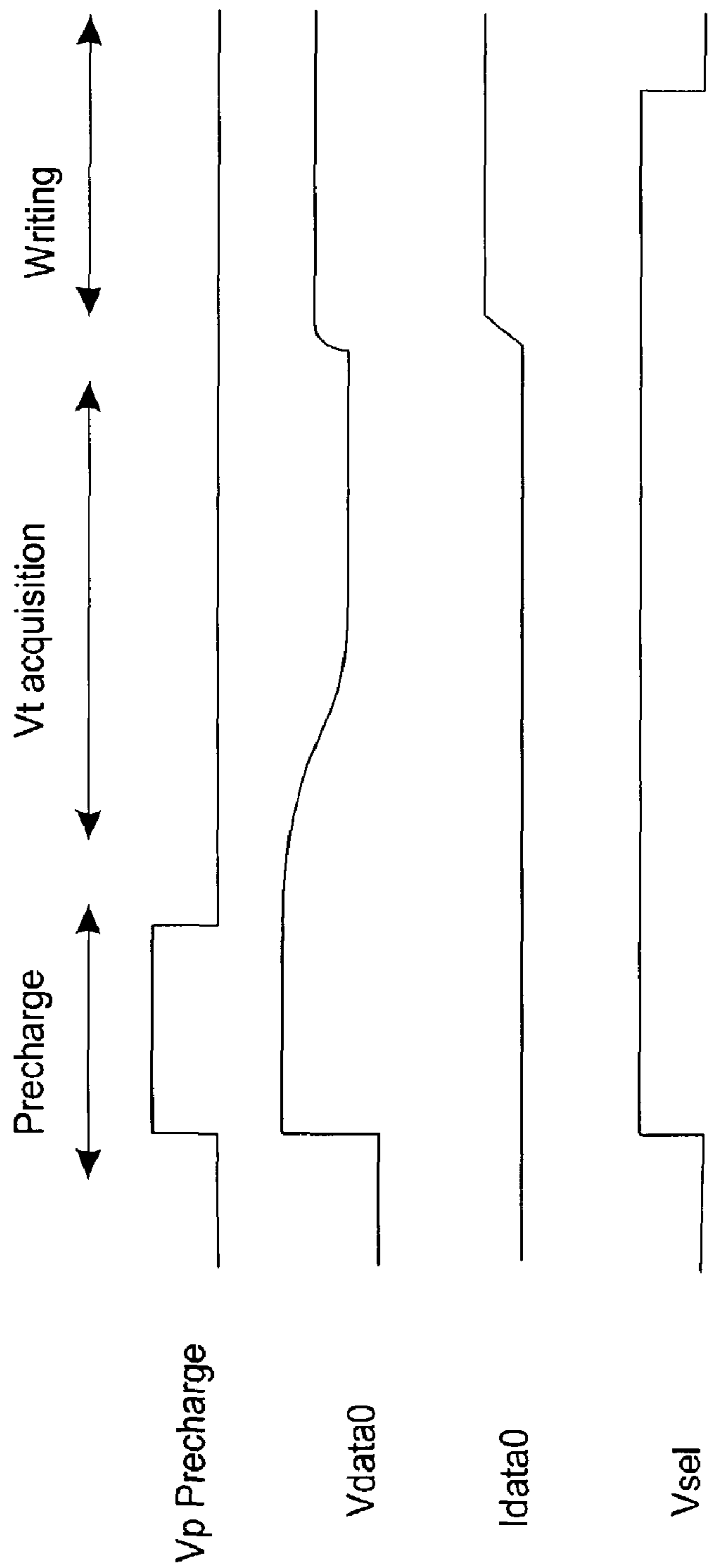


FIG.5

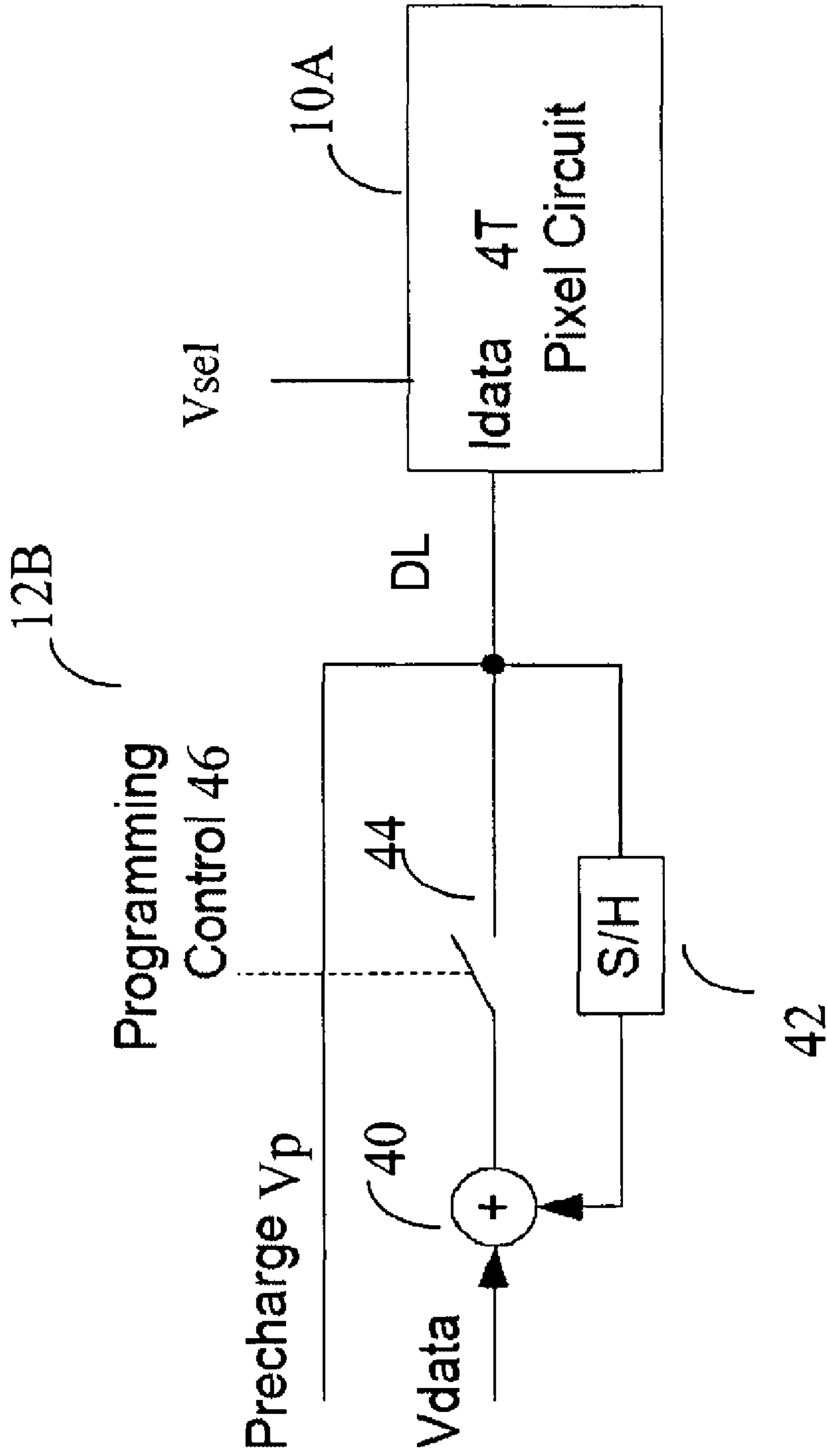


FIG.6

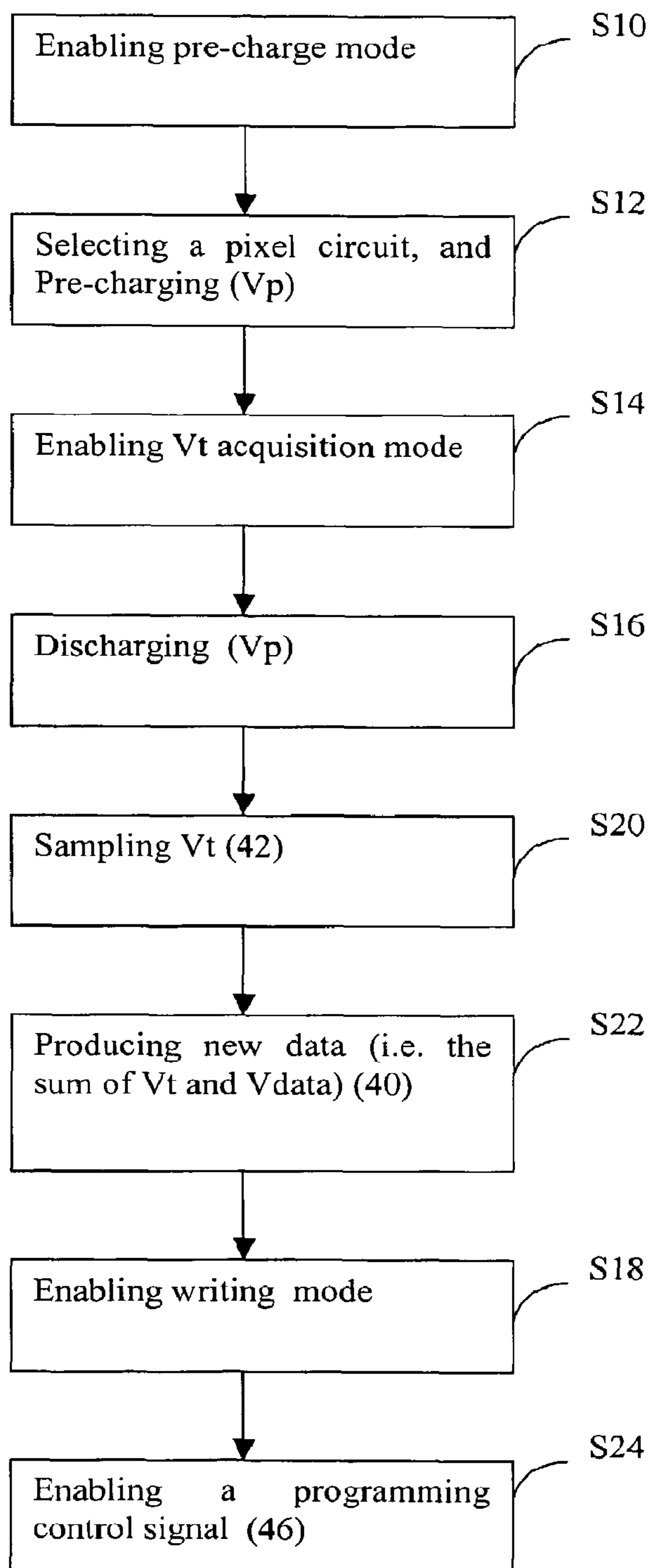


FIG. 7

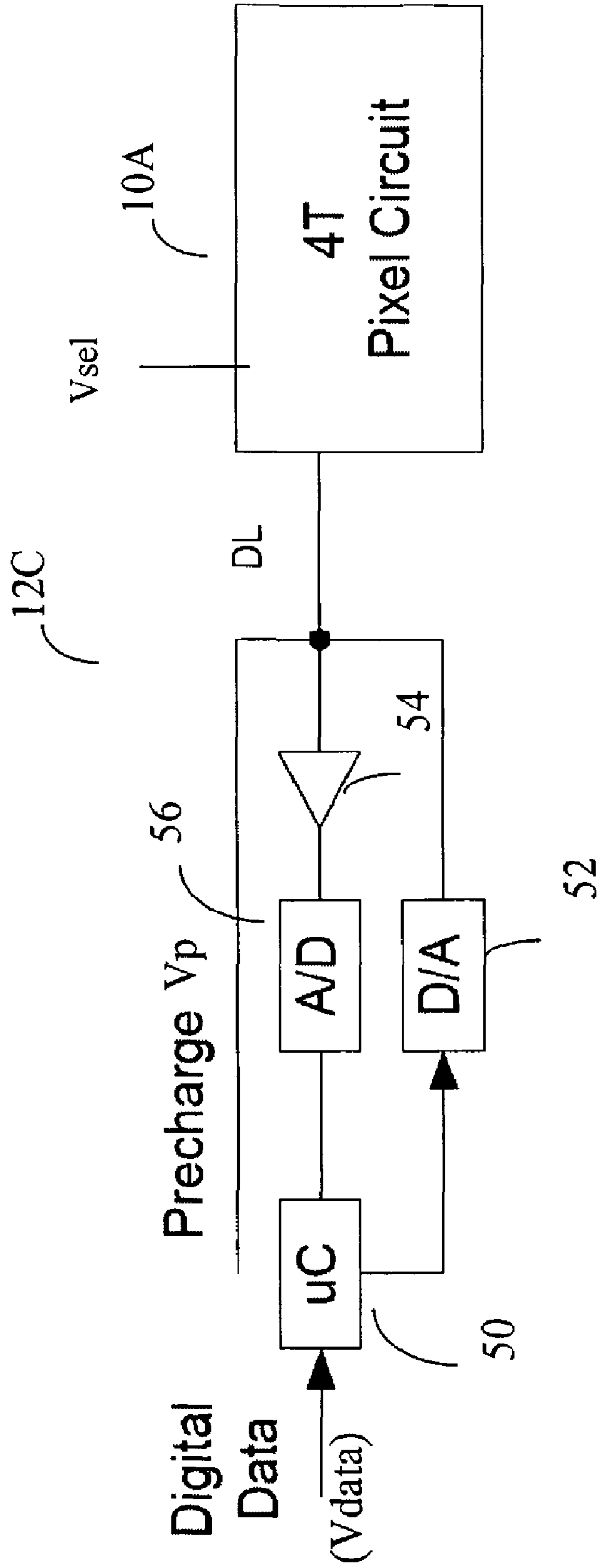


FIG.8



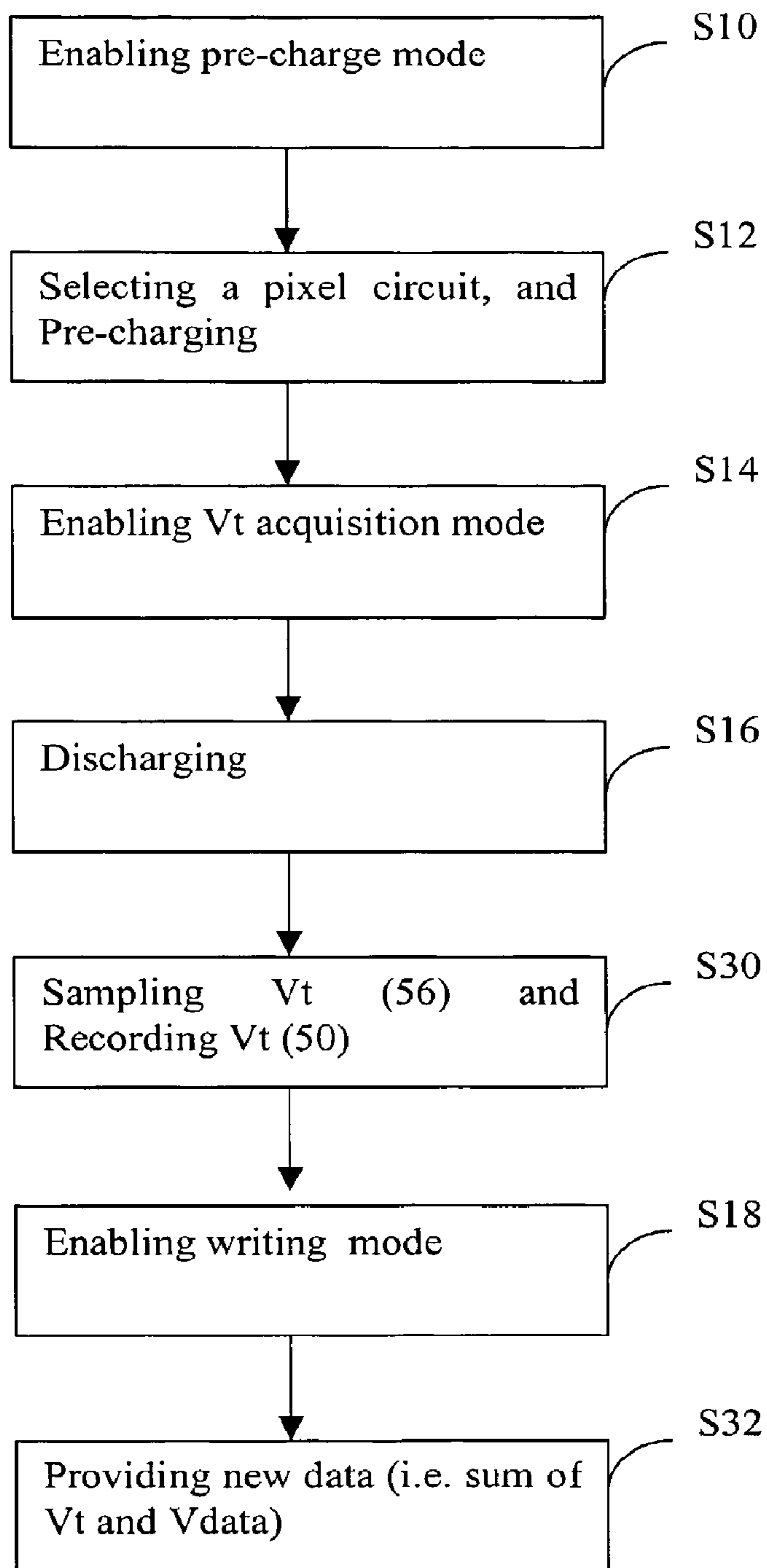


FIG. 9

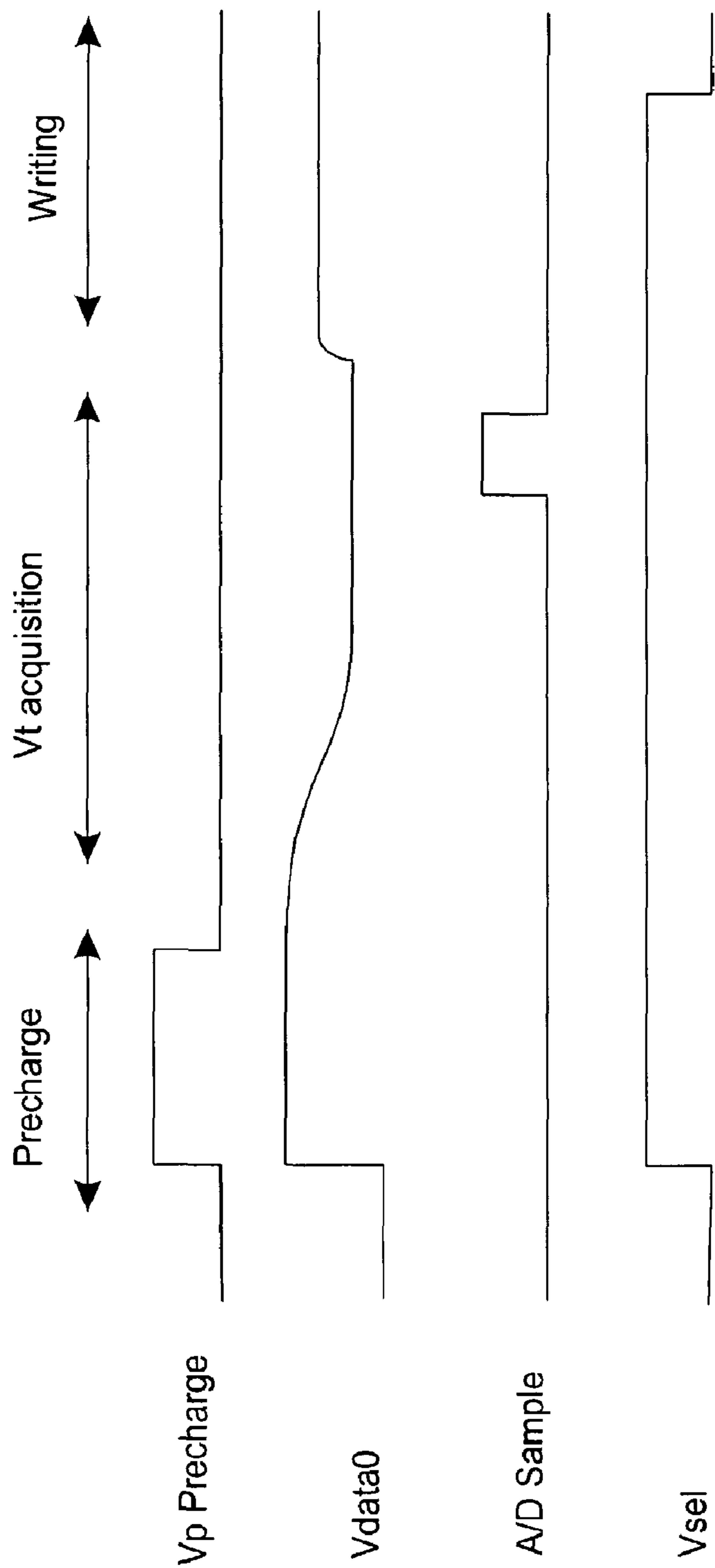


FIG.10

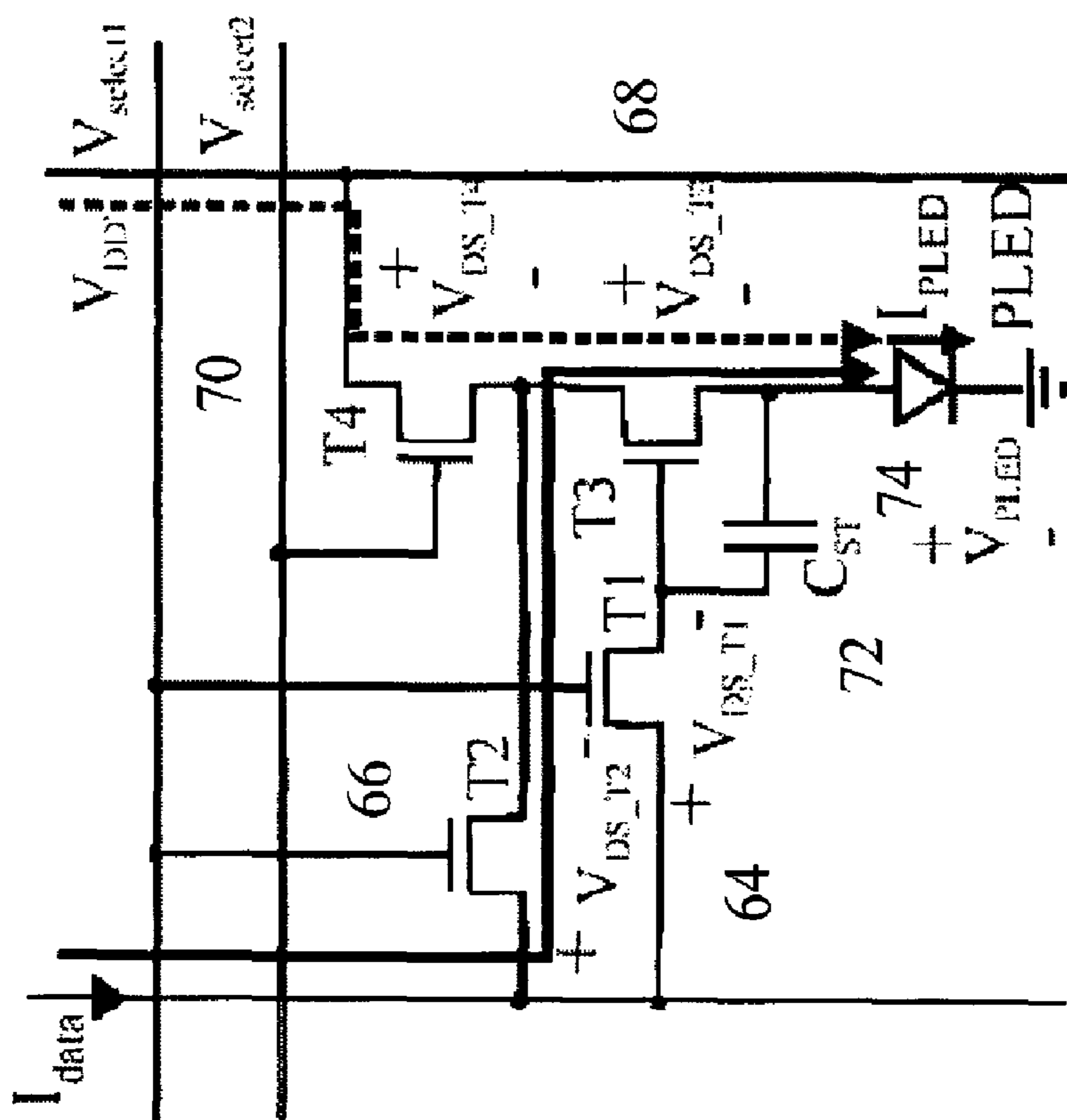


FIG.11

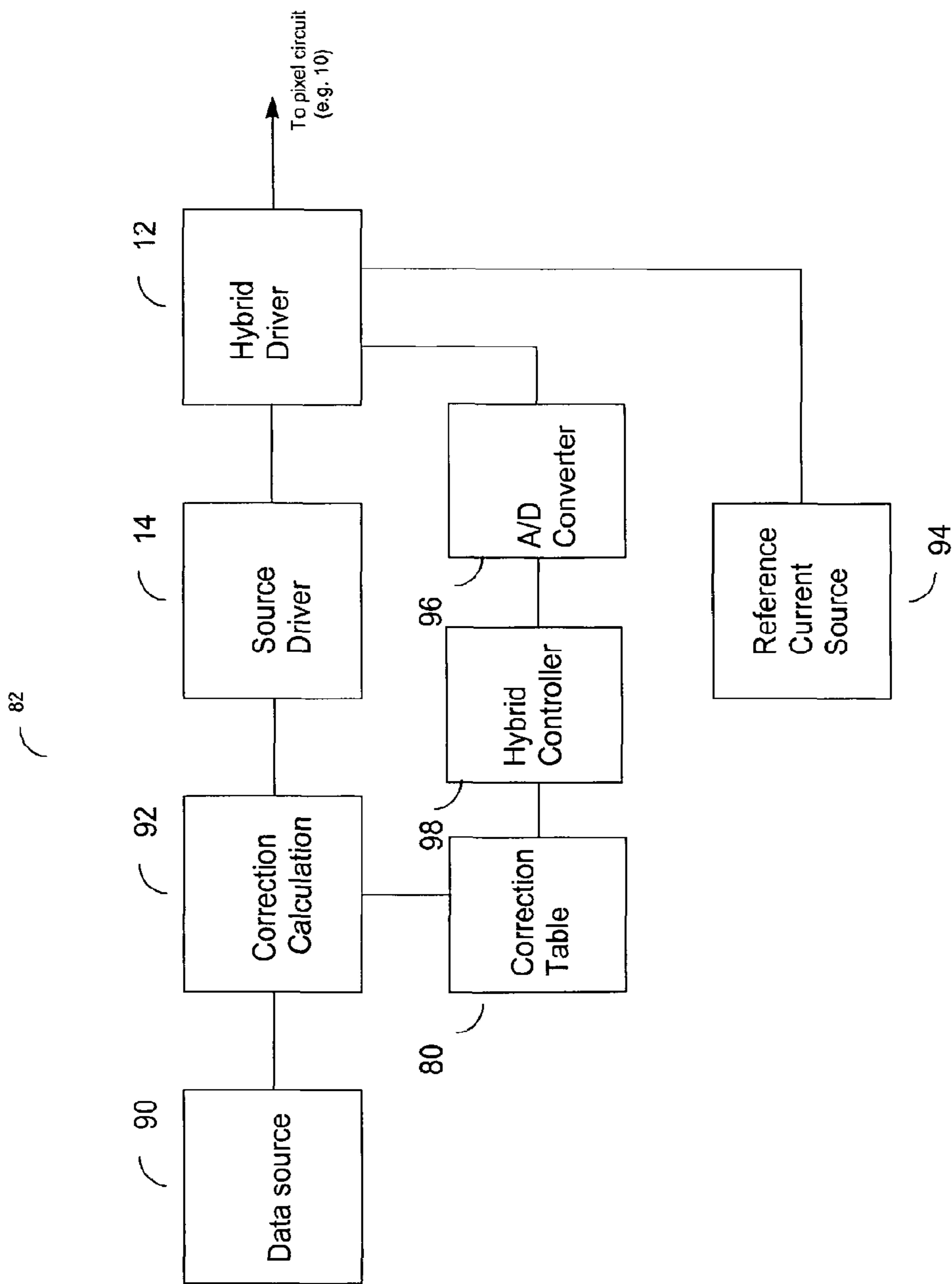


FIG. 12

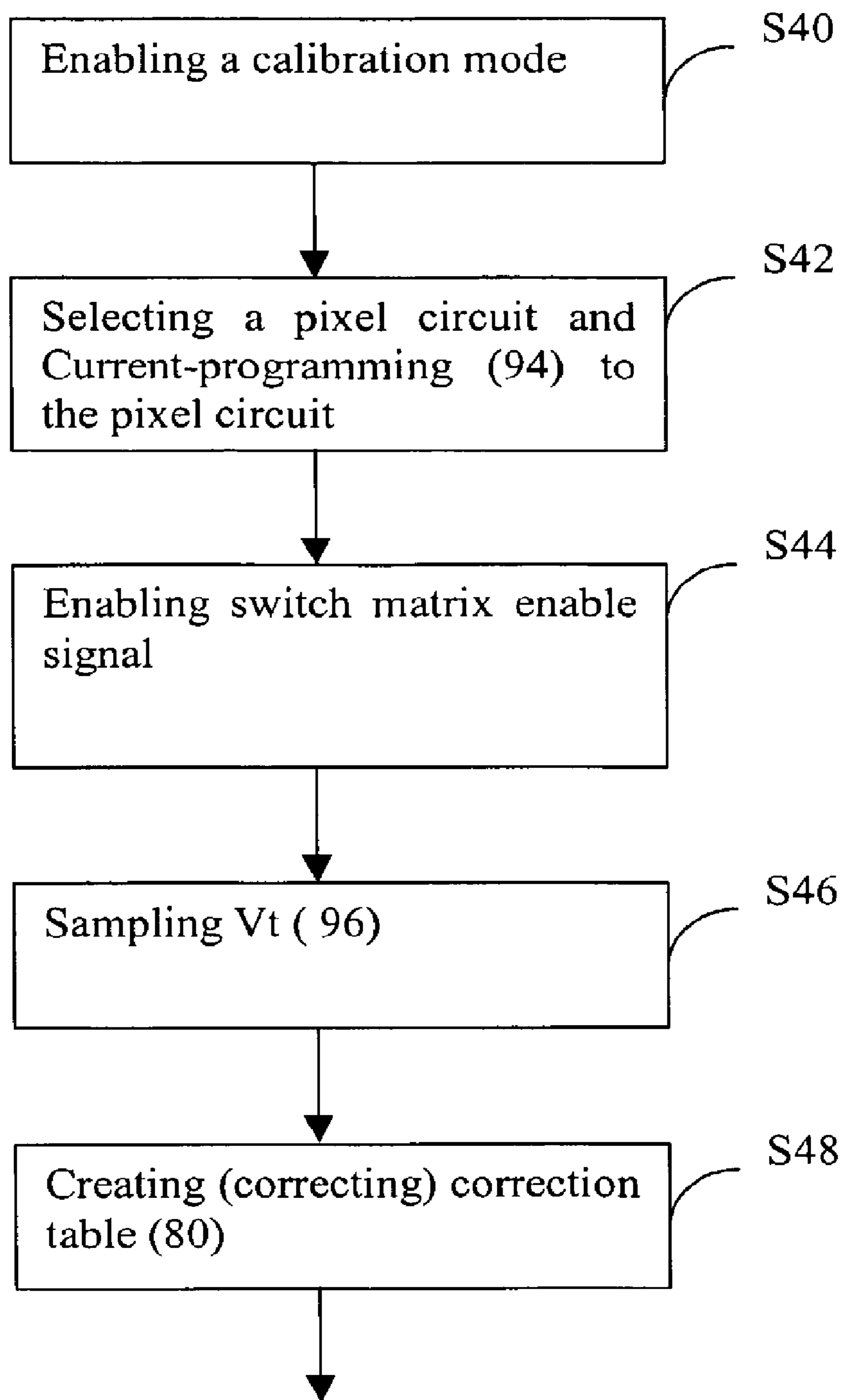


FIG. 13

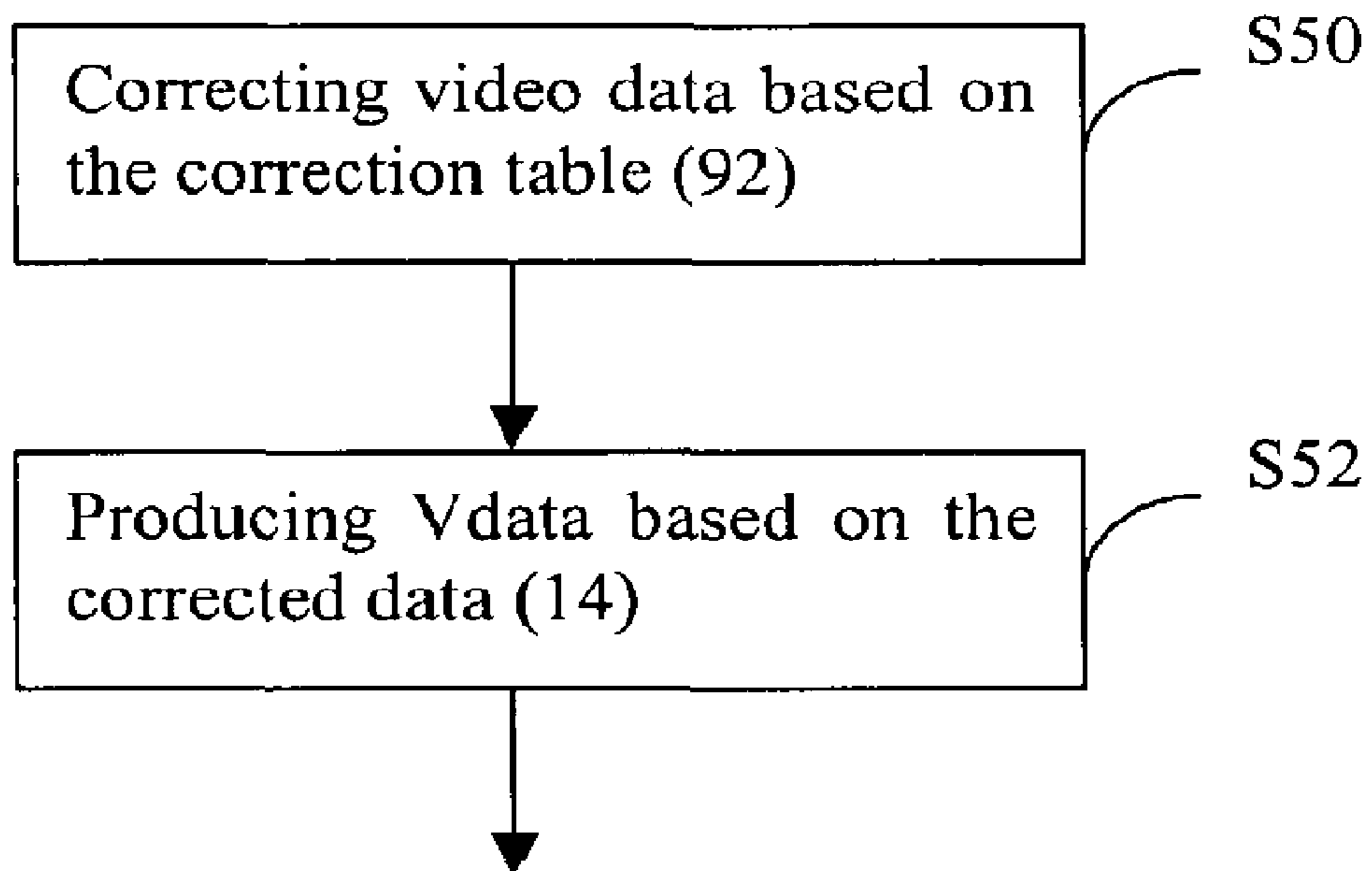


FIG. 14

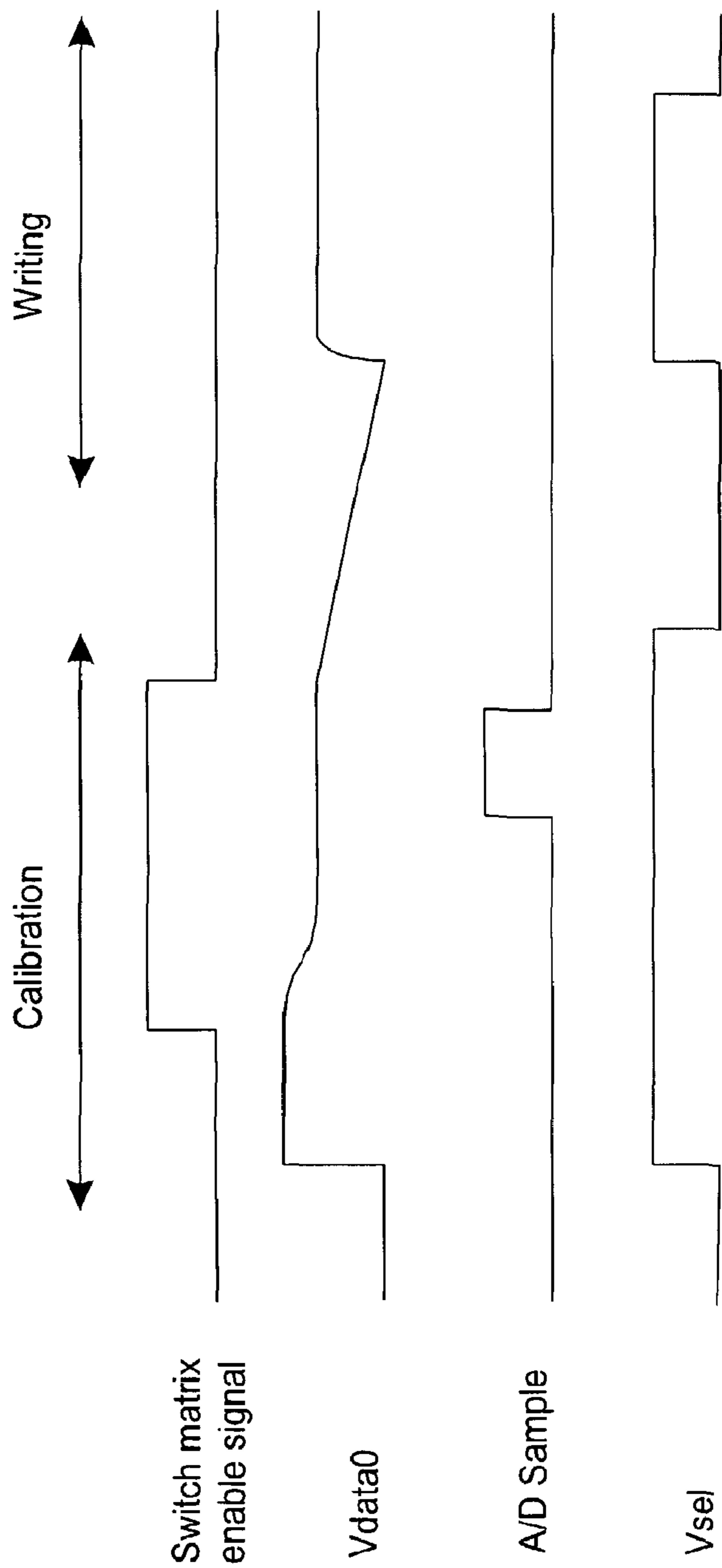


FIG. 15

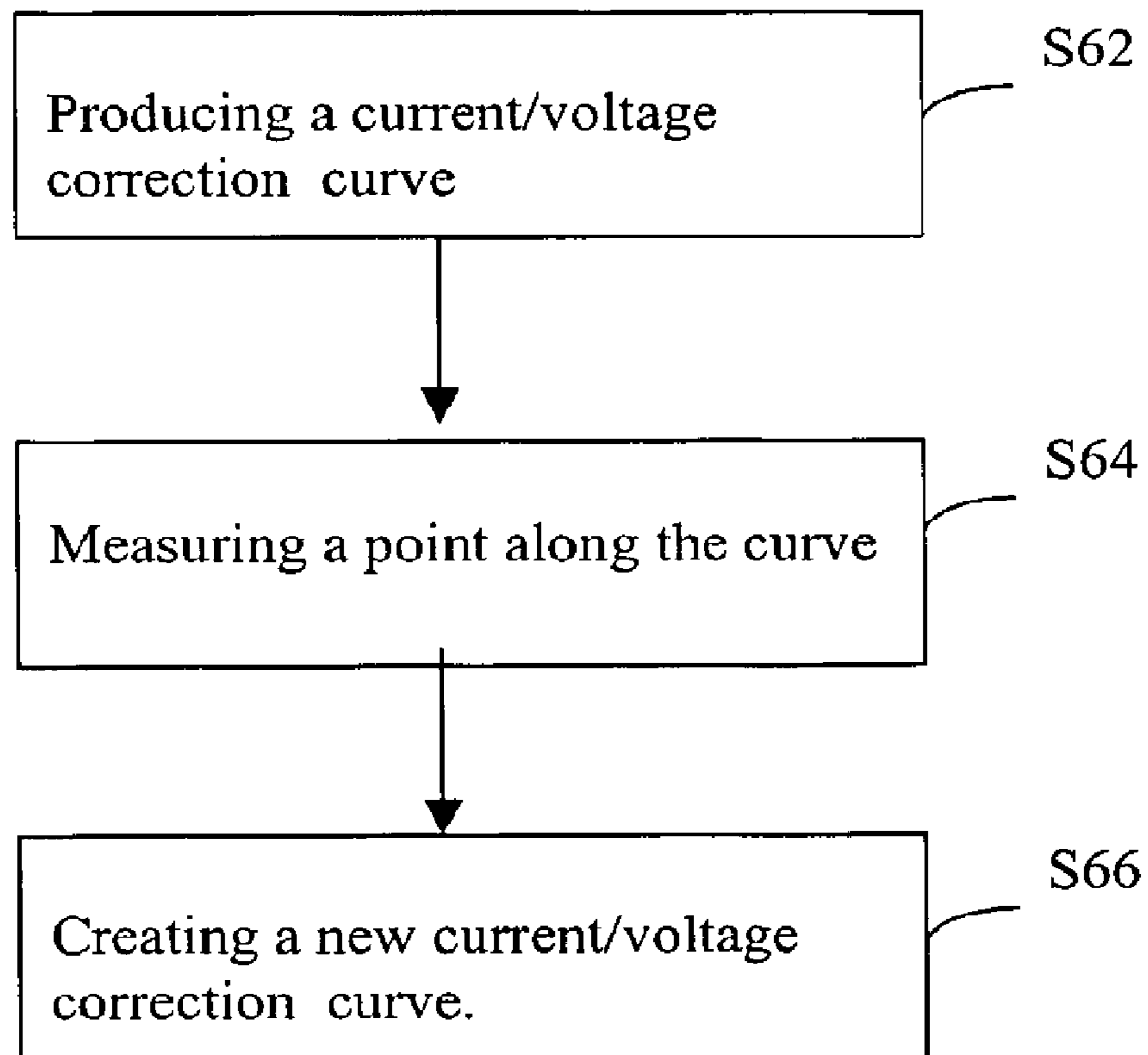


FIG.16



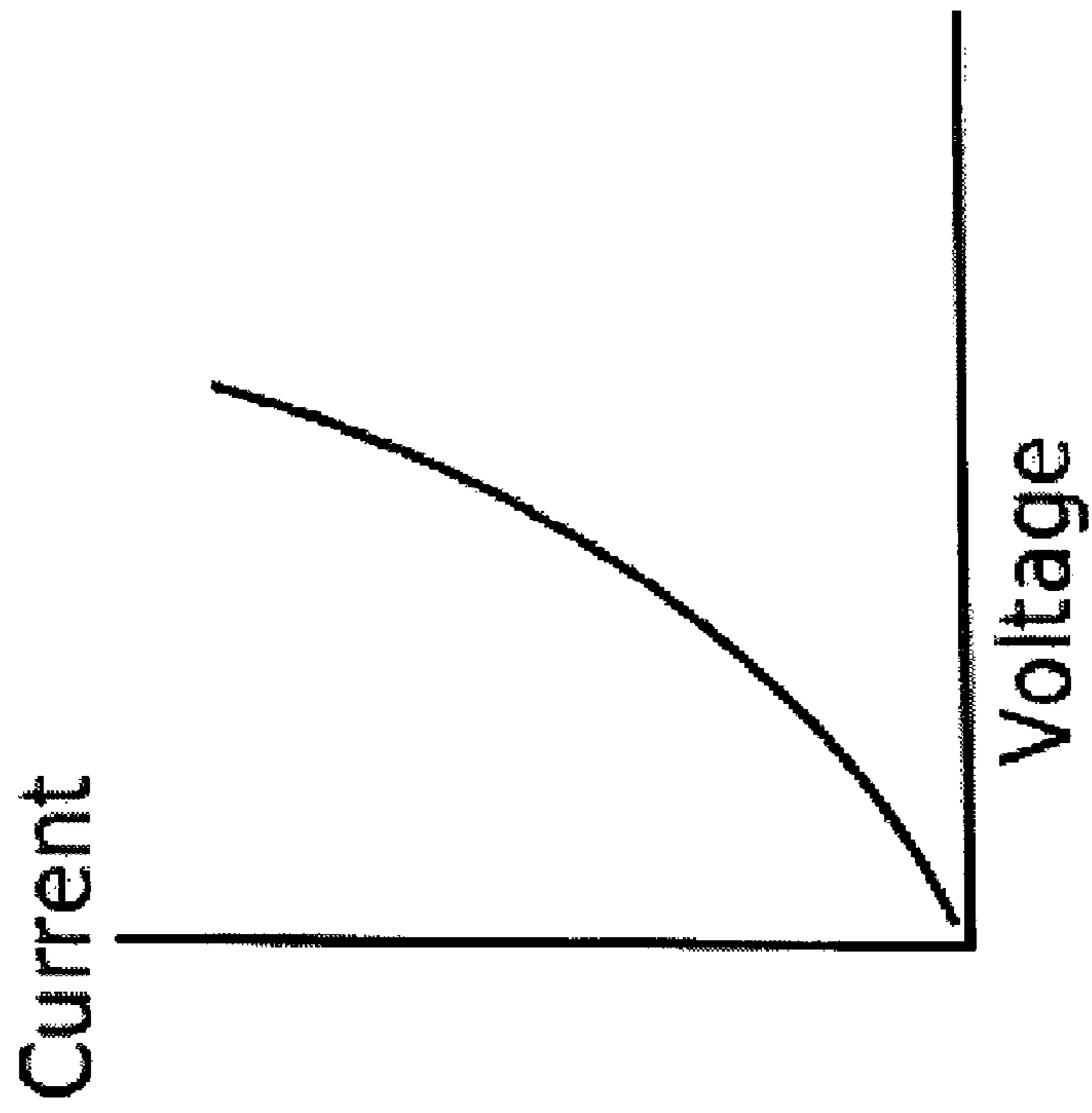


FIG. 17

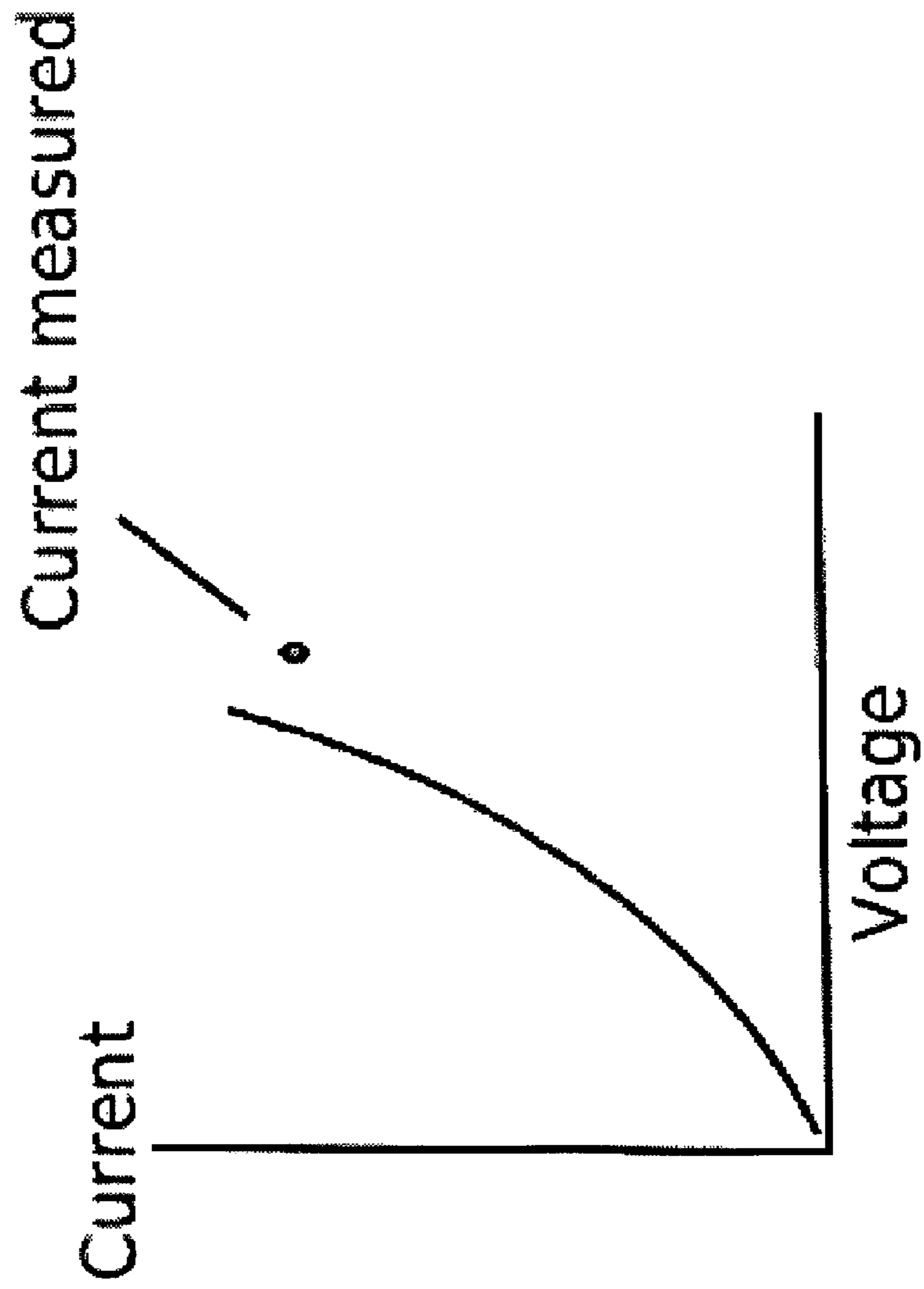


FIG. 18

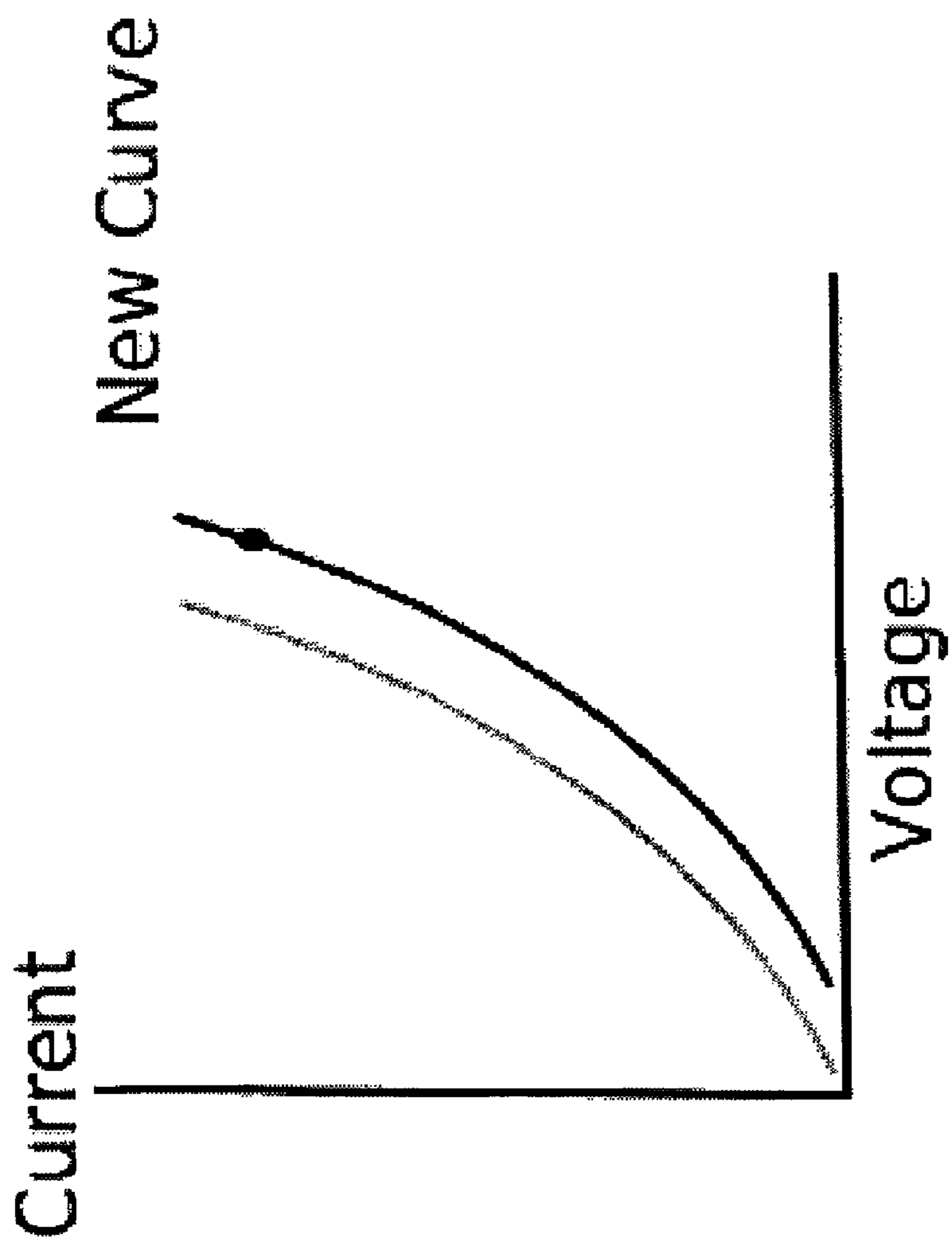


FIG. 19

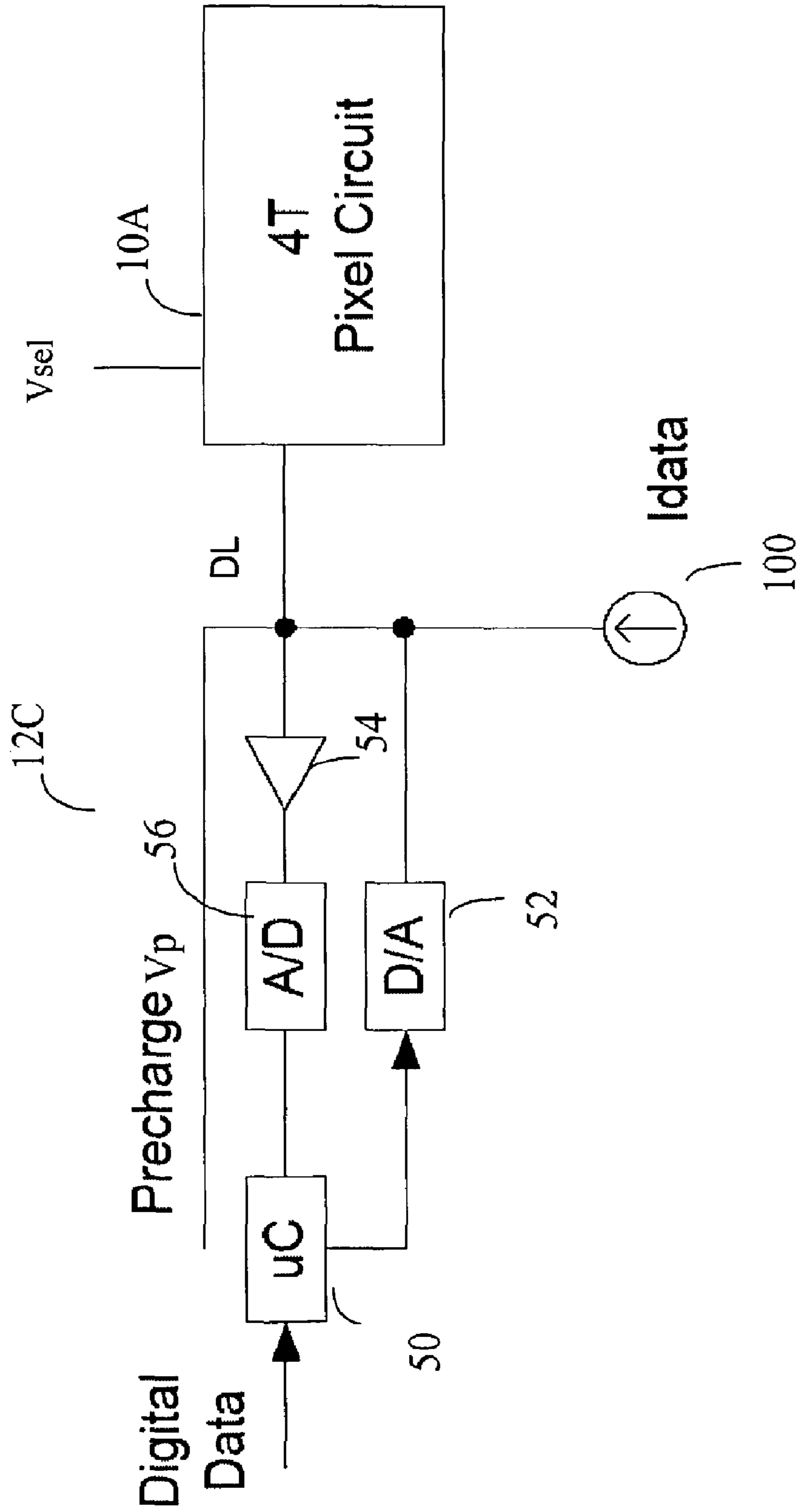


FIG. 20

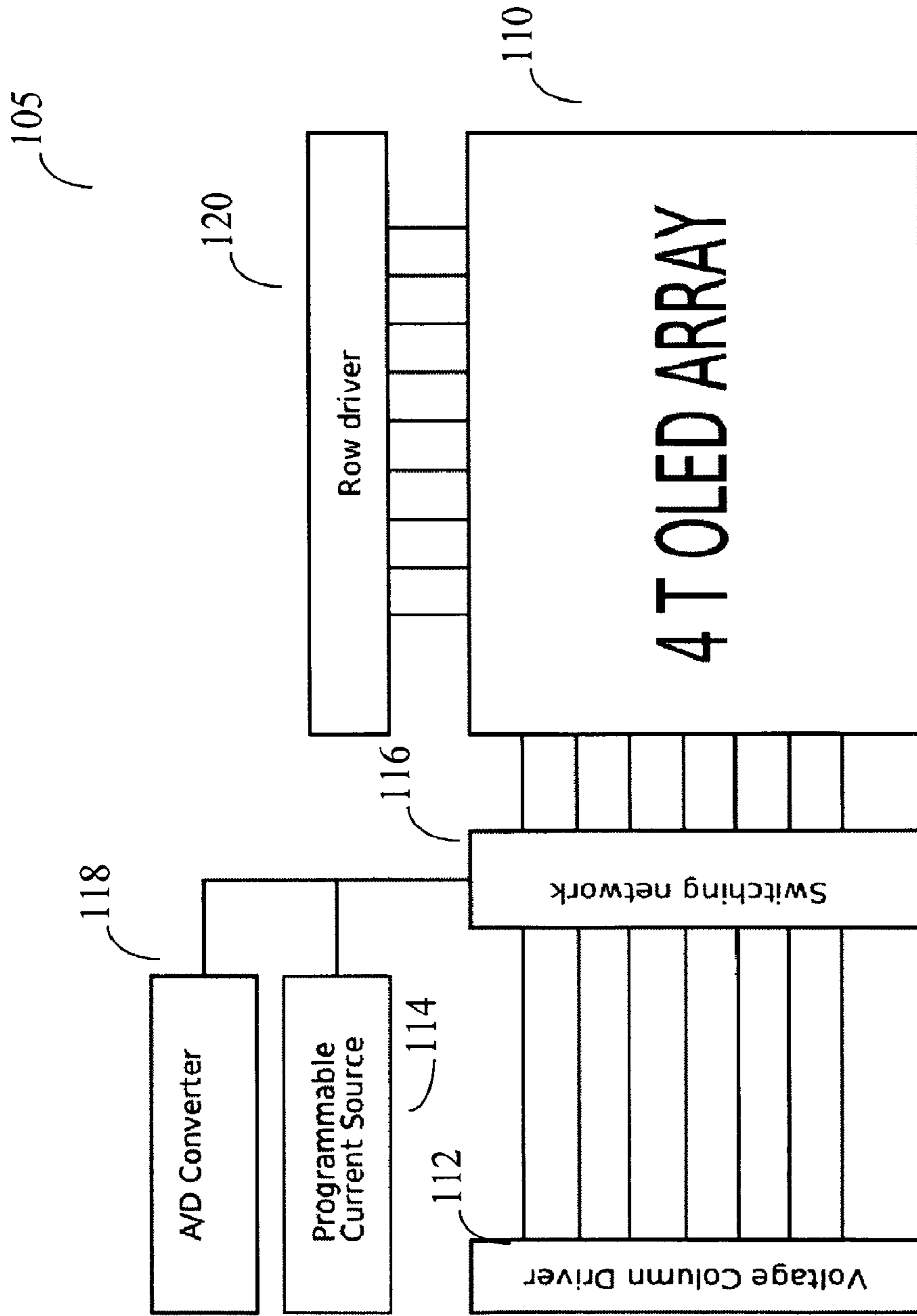


FIG. 21

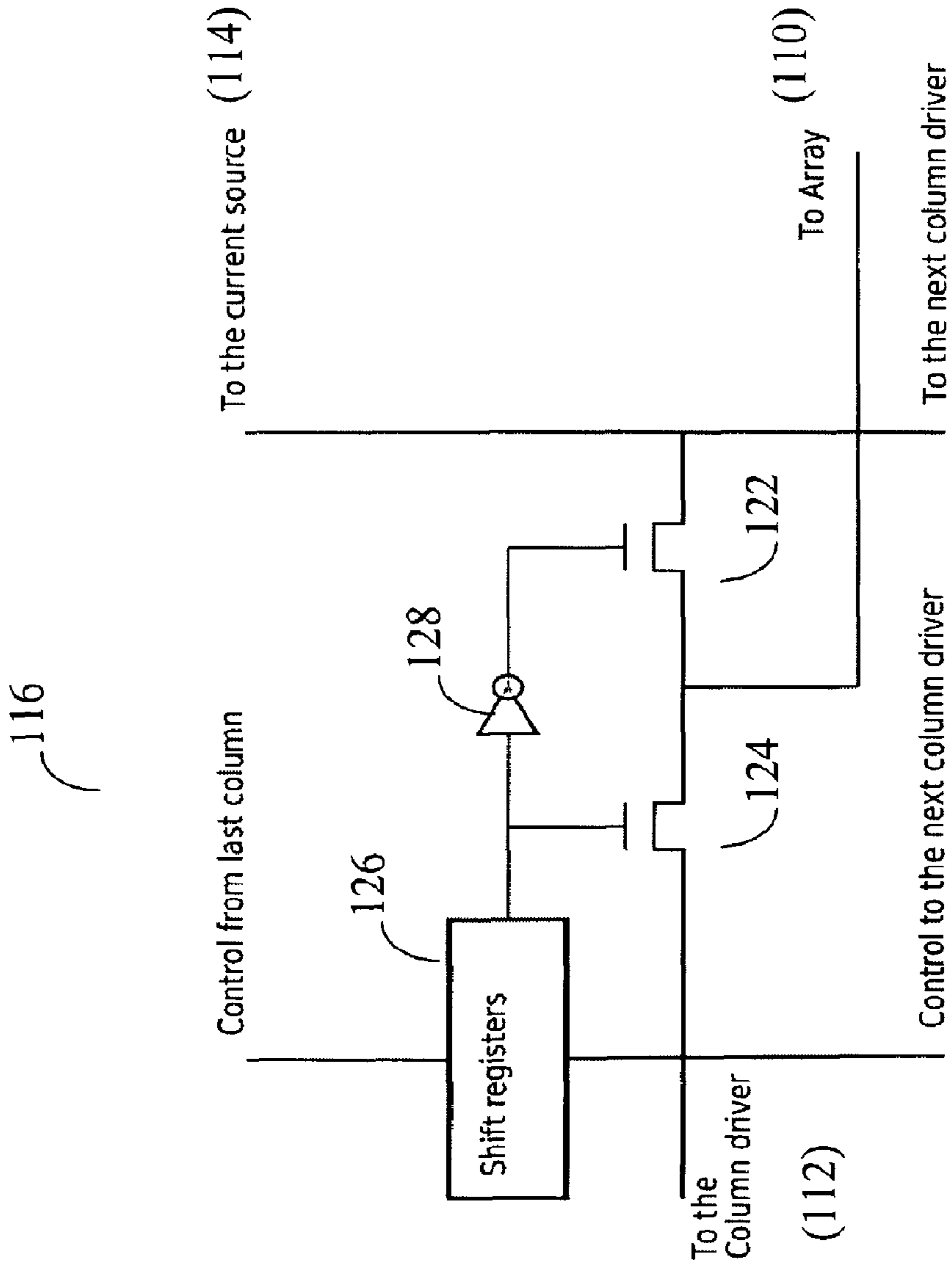


FIG. 22

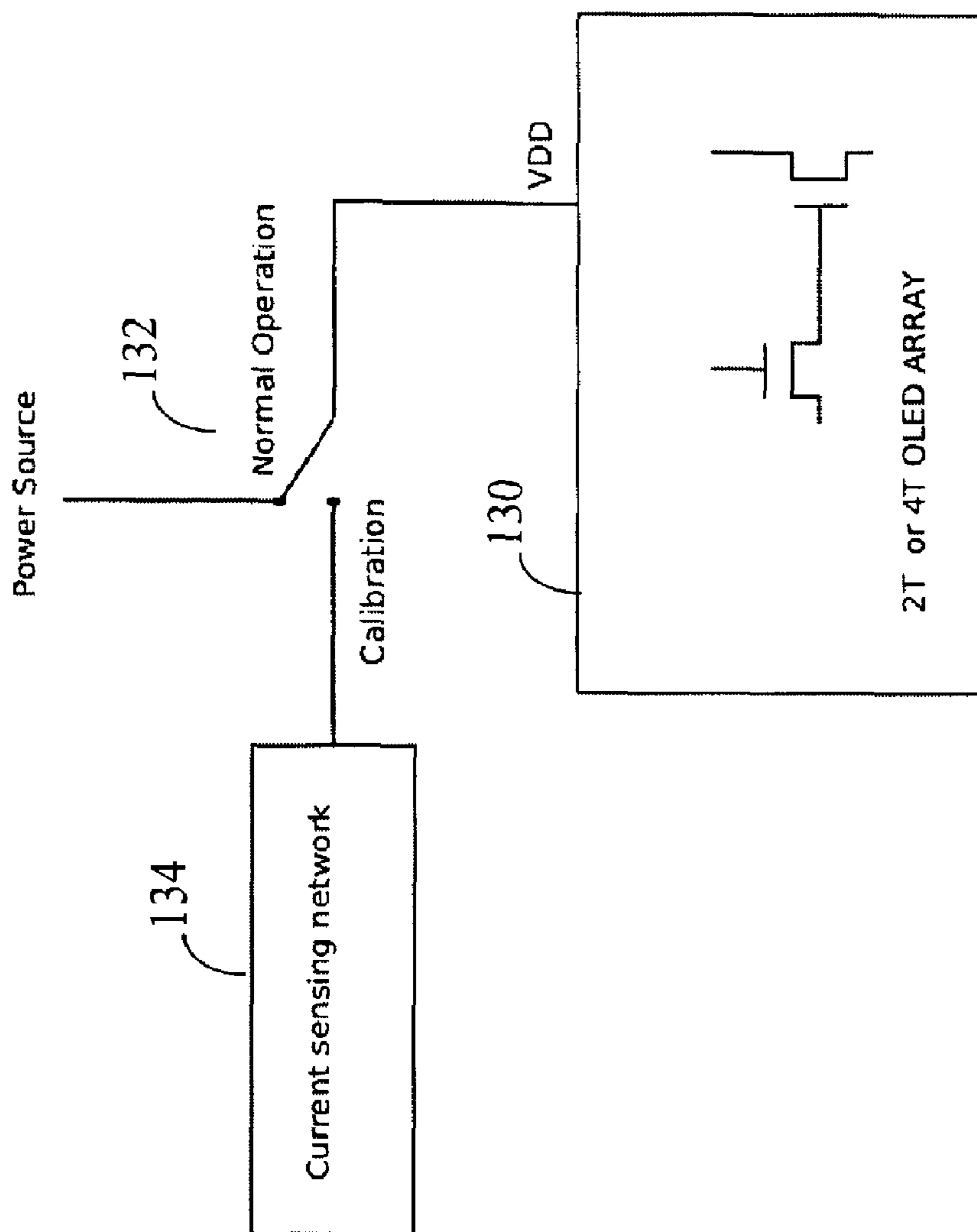


FIG. 23

## VOLTAGE-PROGRAMMING SCHEME FOR CURRENT-DRIVEN AMOLED DISPLAYS

**Matter enclosed in heavy brackets [ ] appears in the original patent but forms no part of this reissue specification; matter printed in italics indicates the additions made by reissue.**

### CROSS REFERENCE TO RELATED APPLICATIONS

This is a continuation of U.S. patent application Ser. No. 11/571,480, which is a national stage application of international application no. PCT/CA2005/001007, filed Jun. 28, 2005, which claims the benefit of and priority to Canadian Patent Application No. 2,472,671, filed on Jun. 29, 2004, each of these applications being incorporated herein by reference in its entirety.

### FIELD OF INVENTION

The present invention relates to a display technique, and more specifically to technology for driving pixel circuits.

### BACKGROUND OF THE INVENTION

Active matrix organic light emitting diode (AMOLED) displays are well known in the art. The AMOLED displays have been increasingly used as a flat panel in a wide variety of tools.

The AMOLED displays are classified as either a voltage-programmed display or a current-programmed display. The voltage-programmed display is driven by a voltage-programmed scheme where data is applied to the display as a voltage. The current-programmed display is driven by a current-programmed scheme where data is applied to the display as a current.

The advantage of the current-programming scheme is that it can facilitate pixel designs where the brightness of the pixel remains more constant over time than with voltage programming. However, the current-programming requires longer time of charging capacitors associated with the column.

Therefore, there is a need to provide a new scheme for driving a current-driven AMOLED display, which ensures high speed and high quality.

### SUMMARY OF THE INVENTION

The present invention relates to a system and method of driving a pixel circuit in an AMOLED display.

The system and method of the present invention uses Voltage-Programming Scheme For Current-Driven AMOLED Displays.

In accordance with an aspect of the present invention there is provided a system for driving a display which includes a plurality of pixel circuits, each having a plurality of thin film transistors (TFTs) and an organic light emitting diode (OLED), which includes: a voltage driver for generating a voltage to program the pixel circuit; a programmable current source for generating a current to program the pixel circuit; and a switching network for selectively connecting the data driver or the current source to one or more pixel circuits.

In accordance with a further aspect of the present invention there is provided a system for driving a pixel circuit having a plurality of thin film transistors (TFTs) and an organic light emitting diode (OLED), which includes: a pre-charge con-

troller for pre-charging and discharging a data node of the pixel circuit to acquire threshold voltage information of the TFT from the data node; and a hybrid driving circuit for programming the pixel circuit based on the acquired threshold voltage information and video data information displayed on the pixel circuit.

In accordance with a further aspect of the present invention there is provided a system for driving a pixel circuit having a plurality of thin film transistors (TFTs) and an organic light emitting diode (OLED), which includes: a sampler for sampling, from a data node of the pixel circuit, a voltage required to program the pixel circuit; and a programming circuit for programming the pixel circuit based on the sampled voltage and video data information displayed on the pixel circuit.

In accordance with a further aspect of the present invention there is provided a method of driving a pixel circuit having a plurality of thin film transistors (TFTs) and an organic light emitting diode (OLED), which includes the steps of: selecting a pixel circuit and pre-charging a data node of the pixel circuit; allowing the pre-charged data node to be discharged; extracting a threshold voltage of the TFT through the discharging step; and programming the pixel circuit, including compensating a programming data based on the extracted threshold voltage.

This summary of the invention does not necessarily describe all features of the invention.

### BRIEF DESCRIPTION OF THE DRAWINGS

These and other features of the invention will become more apparent from the following description in which reference is made to the appended drawings wherein:

FIG. 1 is a block diagram showing a system for driving an AMOLED display in accordance with an embodiment of the present invention;

FIG. 2 is a schematic diagram showing one example of a pixel circuit of FIG. 1;

FIG. 3 is a schematic diagram showing an example of a hybrid driving circuit, which is applicable to FIG. 1;

FIG. 4 is an exemplary flow chart for showing the operation of the hybrid driving circuit of FIG. 3;

FIG. 5 is an exemplary timing chart for showing the operation of the hybrid driving circuit of FIG. 3;

FIG. 6 is a schematic diagram showing a further example of a hybrid driving circuit, which is applicable to FIG. 1;

FIG. 7 is an exemplary flow chart for showing the operation of the hybrid driving circuit of FIG. 6;

FIG. 8 is a schematic diagram showing a further example of a hybrid driving circuit, which is applicable to FIG. 1;

FIG. 9 is an exemplary flow chart for showing the operation of the hybrid driving circuit of FIG. 8;

FIG. 10 is an exemplary timing chart for showing the operation of the hybrid driving circuit of FIG. 8;

FIG. 11 is a schematic diagram showing a further example of the pixel circuit of FIG. 1;

FIG. 12 is a block diagram showing a system for driving an AMOLED display in accordance with a further embodiment of the present invention;

FIG. 13 is an exemplary flow chart for showing the operation of the system of FIG. 12;

FIG. 14 is an exemplary flow chart for showing the operation of the system of FIG. 12;

FIG. 15 is an exemplary timing chart for showing the operation of the system of FIG. 12;

FIG. 16 is an exemplary flow chart for a hidden refresh operation of the system of FIG. 12;



FIG. 17 is a diagram showing an example of a sample of the current/voltage correction curve;

FIG. 18 is a diagram showing the current/voltage correction curve of FIG. 17 and an example of a newly measured data point:

FIG. 19 is a diagram showing an example of a new current/voltage correction curve based on the measured point of FIG. 18;

FIG. 20 is a block diagram showing a further example of a programming circuit for implementing a combined current and voltage-programming technique;

FIG. 21 is a block diagram showing a system for driving an AMOLED display in accordance with a further embodiment of the invention;

FIG. 22 is a schematic diagram showing an example of a switch network of FIG. 21; and

FIG. 23 is a schematic diagram showing a system for correcting the current/voltage information of the pixel circuit.

#### DETAILED DESCRIPTION

Embodiments of the present invention are described using an AMOLED display. Drive scheme described below is applicable to a current programmed (driven) pixel circuit and a voltage programmed (driven) pixel circuit.

In addition, hybrid technique described below can be applied to any existing driving scheme, including a) any drive schemes that use sophisticated timing of the data, select, or power inputs to the pixels to achieve increased brightness uniformity, b) any drive schemes that use current or voltage feedback, c) any drive schemes that use optical feedback.

The light emitting material of the pixel circuit can be any technology, specifically organic light emitting diode (OLED) technology, and in particular, but not limited to, fluorescent, phosphorescent, polymer, and dendrimer materials.

Referring to FIG. 1, there is illustrated a system 2 for driving an AMOLED display 5 in accordance with an embodiment of the present invention. The AMOLED display 5 includes a plurality of pixel circuits. In FIG. 1, four pixel circuits 10 are shown as an example.

The system 2 includes a hybrid driving circuit 12, a voltage source driver 14, a hybrid programming controller 16, a gate driver 18A and a power-supply 18B. The pixel circuit 10 is selected by the gate driver 18A (Vsel), and is programmed by either voltage mode using a node Vdata or current mode using a node Idata. The hybrid driving circuit 12 selects the mode of programming, and connects it to the pixel circuit 10 through a hybrid signal. A pre-charge signal (Vp) is applied to the pixel circuit 10 to acquire threshold Vt information (or Vt shift information) from the pixel circuit 10. The hybrid driving circuit 12 controls the pre-charging, if pre-charging technique is used. The pre-charge signal (Vp) may be generated within the hybrid driving circuit 12, which depends on the operation condition. The power-supply 18B (Vdd) supplies the current required to energize the display 5 and to monitor the power consumption of the display 5.

The hybrid controller 16 controls the individual components that make up the entire hybrid programming circuit. The hybrid controller 16 handles timing and controls the order in which the required functions occur. The hybrid controller 16 may generate data Idata and supplied to the hybrid driving circuit 12. The system 2 may have a reference current source, and the Idata may be supplied under the control of the hybrid controller 16.

The hybrid driver 12 may be implemented either as a switching matrix, or as the hybrid driving circuit(s) of FIG. 3, 6, 8 or 20 or combination thereof.

In the description, Vdata refers to data, a data signal, a data line or a node for supplying the data or data signal Vdata, or a voltage on the data line or the node. Similarly, Idata refers to data, a data signal, a data line or a node for supplying the data or data signal Idata, or a current on the data line or the node. Vp refers to a pre-charge signal, a pre-charge pulse, a pre-charge voltage for pre-charging/discharging, a line or a node for supplying the pre-charge signal, pre-charge pulse or pre-charge voltage Vp. Vsel refers to a pulse or a signal for selecting a pixel circuit or a line or a node for supplying the pulse or signal Vs. The terms "hybrid signal", "hybrid signal node", and "hybrid signal line" may be used interchangeably.

The pixel circuit 10 includes a plurality of TFTs, and an organic light emitting diode (OLED). The TFT may be an n-type TFT or a p-type TFT. The TFT is, for example, but not limited to, an amorphous silicon (a-Si:H) based TFT, a polycrystalline silicon based TFT, a crystalline silicon based TFT, or an organic semiconductor based TFT. The OLED may be regular (P-I-N) stack or inverted (N-I-P) stack. The OLED can be located in the source or the drain of one or more driving TFTs.

FIG. 2 illustrates an example of the pixel circuit 10 of FIG. 1. The pixel circuit of FIG. 2 includes four thin film transistors (TFTs) 20-26, a capacitor Cs 28 and an organic light emitter diode (OLED) 30. The TFT (Tdrive) 26 is a drive TFT that is connected to the OLED 30 and the capacitor Cs 28. The pixel circuit of FIG. 2 is selected by the select line Vsel, and is programmed by a data line DL. The data line DL is controlled by the hybrid signal output from the hybrid driving circuit 12 of FIG. 1.

In FIG. 2, four TFTs are illustrated. However, the pixel circuit 10 of FIG. 1 may include less than four TFTs or more than four TFTs.

In the description, the terms "data line DL" and "data node DL" may be used interchangeably.

Referring to FIGS. 1-2, the data node DL is pre-charged and discharged to acquire the threshold Vt of a drive TFT (e.g., Tdrive 26 of FIG. 2) or the threshold Vt shift. In the description, Vt shift, Vt shift information, Vt, and Vt information may be used interchangeably. The pixel circuit 10 is then consecutively programmed by the source driver 14 using voltage-programming. The acquired Vt shift information is utilized to compensate for degradation of the pixel circuit 10, thus maintaining uniform brightness of the display 5.

The process of acquiring Vt starts by applying Vsel to T1 20 and T2 22 to the pixel circuit illustrated in FIG. 2. Such action causes the drain and gate of T3 24 to be at the same voltage. This allows the Vt of T3 24 to be extracted by first applying the pre-charge voltage Vp to the data line DL, which is then allowed to be discharged. The rate of discharge is a function of Vt. Thus, by measure of the rate of discharge, Vt can be obtained.

FIG. 3 illustrates an example of a hybrid driving circuit, which is applicable to the hybrid driving circuit 12 of FIG. 1. The hybrid driving circuit 12A of FIG. 3 implements voltage programming technique.

The hybrid driving circuit 12A of FIG. 3 includes a charge programming capacitor Cc 32. The charge programming capacitor Cc 32 is provided between the data line Vdata and the data node DL. The pre-charge line Vp is also connected to the data node DL.

The hybrid driving circuit 12A is provided to a pixel circuit 10A having four TFTs (such as the pixel circuit of FIG. 2). However, the pixel circuit 10A may include more than four TFTs or less than four TFTs.

The charge programming capacitor Cc 32 is provided to program the pixel circuit 10A with a voltage that is equal to

## 5

the sum of threshold  $V_t$  of the TFT and  $V_{data}$ , scaled by a constant  $K$ . The constant is determined by the voltage division network formed by the charge storage capacitor (e.g.  $C_s$  28 of FIG. 2) and the charge programming capacitor  $C_c$  32.

FIG. 4 illustrates an exemplary flow chart for showing the operation of the hybrid driving circuit 12A of FIG. 3. At step S10, pre-charge mode is enabled. At step S12, a pixel circuit is selected and pre-charging ( $V_p$ ) is started. At step S14,  $V_t$  acquisition mode is enabled, and at step S16, discharging ( $V_p$ ) starts. The  $V_t$  information is acquired through  $C_c$  32. Then at step S18, writing mode is enabled.

FIG. 5 illustrates an exemplary timing chart for showing the operation of the hybrid driving circuit 12A of FIG. 3. In the drawings,  $V_{data0}$  represents voltage at the data node (e.g. DL of FIG. 2) of the pixel circuit;  $I_{data0}$  represents current at the data node (e.g. DL of FIG. 2) of the pixel circuit.

The programming procedure starts by selecting the pixel to be programmed with the pulse  $V_{sel}$ . At the same time, the pre-charge pulse  $V_p$  is applied to the pixel circuit's data input (e.g. DL of FIG. 2).

During the  $V_t$  acquisition phase, voltage on the data line (DL) is allowed to be discharged through the pixel circuit, which is in a current mirror connection with the  $V_{sel}$  line held high. The data line (DL) is discharged to a certain voltage, and the  $V_t$  of a drive TFT is extracted from that voltage. The voltage at  $V_{data}$  is at ground.

During the programming (writing) phase, the calculated compensated voltage is applied to the data input line (DL) of the pixel circuit. The programming routine finishes with the lowering of the  $V_{sel}$  signal.

The calculated compensated voltage is obtained through analog means of a charge programming capacitor  $C_c$  32. However, any other analog means for obtaining compensated voltage may be used. Further, any (external) digital circuit (e.g. 50 of FIG. 7) may be used to obtain the calculated compensated voltage.

The source driver (14 of FIG. 1) supplies  $V_{data}$  to the capacitor  $C_c$  32. When  $V_{data}$  is increased from ground to the desired voltage level, the voltage at  $I_{data}$  is equal to  $(V_t + V_{data}) * K$ .

The structure of FIG. 3 is simple, and is easily implemented.

FIG. 6 illustrates a further example of a hybrid driving circuit, which is applicable to the hybrid driving circuit 12 of FIG. 1. The hybrid driving circuit 12B of FIG. 6 implements voltage programming technique.

The hybrid driving circuit 12B includes a summer 40, a sample and hold (S/H) circuit 42 and a switching element 44. The S/H circuit 42 samples  $I_{data}$  and holds it for a certain period. The summer 40 receives  $V_{data}$  and the output of the S/H circuit 42. The switching element 44 connects the output of the summer 40 to the data node DL in response to a programming control signal 46.

The hybrid driving circuit 12B utilizes the summer 40, instead of the charge coupling capacitor  $C_c$  32, to produce programming voltage that is equal to the sum of  $V_t$  and  $V_{data}$ . As the hybrid driving circuit 12B does not utilize a capacity, programming voltage is not affected by the parasitic capacitance, and it has less charge feed-through effect. As the hybrid driving circuit 12B does not utilize a charge storage capacitor, programming voltage is not affected by the charge storage capacitance. As the hybrid driving circuit 12B does not utilize a charge programming capacitor, it achieves faster  $V_t$  acquisition time. Removal of the charge programming capacitor eliminates the charge dependency of the programming scheme. Thus the programming voltage is not affected by the charge being shared between the charge storage capacitor and

## 6

the parasitic capacitance of the system. This results in a higher effective programming voltage.

FIG. 7 illustrates an exemplary flow chart for showing the operation of the hybrid driving circuit 12B of FIG. 6. During the  $V_t$  acquisition mode, the  $V_t$  is sampled at step S20, and new data is produced at step S22. When writing mode is enabled, the new data is supplied to the pixel circuit in response to the programming control signal (46) at S24. It is noted that the operation of the system having the hybrid driving circuit 12B is not limited to FIG. 7. The new data may be produced after step S18. The control signal 46 may be enabled before step S18.

During the  $V_t$  acquisition cycle,  $V_{data}$  is at ground, and the voltage at the data node DL is equal to  $V_t$  of the TFT by the pre-charging/discharging operation ( $V_p$ ). The voltage on the data node DL is sampled and held by the S/H circuit 42. The  $V_t$  is provided to the summer 40 through the S/H circuit 42. When  $V_{data}$  is increased from ground to the desired voltage level, the summer 40 outputs the sum of  $V_t$  and  $V_{data}$ . The switch 44 turns on in response to the programming control signal 46. The voltage at the data node DL goes to  $(V_t + V_{data})$ . Timing chart for showing the operation of the system 2 having the hybrid driving circuit 12B is similar to that of FIG. 5.

FIG. 8 illustrates a further example of a hybrid driving circuit, which is applicable to the hybrid driving circuit 12 of FIG. 1. The hybrid driving circuit 12C of FIG. 8 implements voltage programming technique.

The hybrid driving circuit 13C is a direct digital hybrid driving circuit. The direct digital programming circuit 13C includes a microComputer uC 50 which receives digital data ( $V_{dada}$ ), a digital to analog (D/A) converter 52, a voltage follower 54 for increasing current without affecting voltage, and an analog to digital (A/D) converter 56.

The threshold  $V_t$  of the drive TFT may increase slowly. Thus, it may not be necessary to acquire the threshold  $V_t$  of the drive TFT every programming cycle. This effectively hides the  $V_t$  acquisition for the majority of the programming cycle. In the direct digital hybrid driving circuit 13C, the threshold  $V_t$  acquired from the pixel circuit 10A is digitalized at the A/D converter 56, and is stored in memory contained in the uC 50. The digital data that defines the brightness of the pixel is added to the  $V_t$  in the uC 50. The resulting voltage is then converted back to an analog value at the D/A 52, which is programmed into the pixel circuit 10A. This programming method is designed to compensate for the slow process of the  $V_t$  acquisition.

FIG. 9 illustrates an exemplary flow chart for showing the operation of the hybrid driving circuit 12C of FIG. 8. At the  $V_t$  acquisition mode, the  $V_t$  is sampled and recorded at step S30. When writing mode is enabled, new data is provided based on the recorded data. It is noted that the operation of the system having the hybrid driving circuit 12C of FIG. 8 is not limited to FIG. 9. At the writing mode, the data which have been recorded may be used without implementing the  $V_t$  acquisition.

FIG. 10 illustrates an exemplary timing chart for showing the operation of the hybrid driving circuit 12C of FIG. 8. During the  $V_t$  acquisition, sampling by the A/D converter 56 is implemented. In a next cycle, the hybrid driving circuit 13C may use the  $V_t$  that has been previously acquired and has been recorded in the uC 50.

The conversion of the output on the data node DL by A/D can remove the requirements of having to acquire the  $V_t$  every programming cycle. The  $V_t$  of the pixel circuit 10A may be acquired once every second or less. Thus, it may acquire  $V_t$  for only one row of the display per frame cycle. This effec-

tively increases the amount of time for the pixel programming cycle. Less frequent need of  $V_t$  acquisition ensures faster programming time.

In the above description, FIG. 2 is used to describe the pixel circuit 10 of FIG. 1. However, the pixel circuit 10 is not limited to that of FIG. 2. The pixel circuit 10 may be a pixel circuit illustrated in FIG. 11 (J. Kanichi, J.-H. Kim, J. Y. Nahm, Y. He and R. Hattori "Amorphous Silicon Thin-Film Transistor Based Active-Matrix Organic Light Emitting Display" Asia Display IDW 2001 pp. 315). The pixel circuit of FIG. 11 includes four TFTs 64-70, a capacitor  $C_{ST}$  72 and an OLED 74. The TFT 78 is a drive TFT that is connected to the OLED 74 and the capacitor  $C_{ST}$  72. The pixel circuit of FIG. 11 is selected by Vselect1 and Vselect2, and is programmed by Idata. The voltage acquired is a combination of the voltage across the OLED 74 and T3 68. The technique compensates the voltage change of both the  $V_t$  and the OLED 74. Idata of FIG. 11 corresponds to the data node DL of FIG. 2.

FIG. 12 illustrates a system for driving an AMOLED display in accordance with a further embodiment of the invention. The system 82 of FIG. 12 includes a hybrid programming circuit having a correction table 80, a source driver 14 for implementing a voltage-programming scheme and a reference current source 94 for implementing a current-programming scheme. The system 82 drives a display having a plurality of pixel circuits using the voltage-programming scheme and the current-programming scheme.

A hybrid controller 98 is provided to control each component. In FIG. 12, the hybrid controller 98 is placed between the A/D converter 96 and the correction table 80, as an example. The hybrid controller 98 is similar to the hybrid controller 16 of FIG. 1.

The pixel circuit driven by the system 82 may be the pixel circuit 10 of FIG. 1, and may be a current programmed pixel circuit or a voltage programmed pixel circuit. The pixel circuit driven by the system 82 may be implemented by FIG. 2 or FIG. 11, however, is not limited to those of FIGS. 2 and 11.

The hybrid programming circuit includes a correction calculation module 92 for correcting data from the data source 90 based on the correction table 80 and an A/D converter 96. The data corrected by the correction calculation module 92 is applied to the source driver 14. The source driver 14 generates Vdata based on the corrected data output from the correction calculation module 92. Vdata from the source driver 14 and Idata from the reference current source 94 are supplied to the hybrid driver 12.

The data source 90 is, for example, but not limited to, a DVD. The hybrid driver 12 may be implemented either as a switching matrix, or as the digital programming circuit(s) of FIG. 8, 20 or combination thereof. The A/D converter 96 may be the A/D converter 56 of FIG. 8. The system 82 may implement the  $V_t$  acquisition technique described above using the A/D converter 96 (56).

The correction table 80 is a lookup table. The correction table 80 records the relationship between current required to program the pixel circuit and voltage necessary to obtain that current. The correction table 80 is built for every pixel in the entire display.

In the description, the relationship between the current required to program the pixel circuit and the voltage necessary to obtain that programming current, is referred to as "current/voltage correction information", "current/voltage correction curve", or "current/voltage information", or "current voltage curve".

In FIG. 12, the correction table 80 is illustrated separately from the correction calculation module 92. However, the correction table 80 may be included in the correction calculation module 92.

The operation of the system of FIG. 12 has two modes, namely display mode and calibration mode. In the display mode, the data from the data source 90 is corrected using the data in the correction table 80, and is applied to the source driver 14. The hybrid driver 12 is not involved in the display mode. In the calibration mode, the current from the reference current source 94 is applied to the pixel circuit, and the voltage associated with the current is read from the pixel circuit. The voltage is converted to a digital data by the A/D converter 96. The correction table 80 is updated with the correct value based on the digital data.

During the display mode, a voltage-programming scheme is implemented. The voltage on the data line (e.g. DL of FIG. 2) of the pixel circuit determines the brightness of the pixels. The voltage required to program the pixel circuit is calculated from the pixel brightness to be displayed (from the incoming video information) combined with the current/voltage correction information stored in the correction table 80. The information on the correction table 80 is combined with incoming video information to ensure that each pixel will maintain a constant brightness over long-term use.

After the display has been used for a fixed period of time, the display enters the calibration mode. The current source 94 is connected to the data input node (DL) of the pixel circuit via the hybrid driver 12. Each pixel is programmed through a current-programming scheme (where the level of current on the data line determines the brightness of the pixel), and the voltage required to achieve that current is read by the A/D converter 96.

The voltage required to program the pixel current is sampled at multiple current points by the A/D converter 96. The multiple points may be a subset of the possible current levels (e.g. 256 possible levels for 8-bit, or 64 levels for 6-bit). This subset of voltage measurements is used to construct the correction table 80 that is interpolated from the measurement points.

The calibration mode may be entered either through user's command or may be combined with the normal display mode so that the calibration takes place during the display refresh period.

In one example, the entire display may be calibrated at once. The display may stop showing incoming video information for a short period of time while each pixel was programmed with a current and the voltage recorded.

In a further example, a subset of the pixels may be calibrated, such as one pixel every fixed number of frames. This is virtually transparent to the user, and the correction information may still be acquired for each pixel.

When a conventional voltage-programming scheme is utilized, a pixel circuit is programmed in an open loop configuration, where there is no feedback from the pixel circuit regarding the threshold voltage shift of the TFTs. When a conventional current-programming scheme is utilized, the brightness of the pixel may remain constant over time. However, the current programming scheme is slow. Thus, the table lookup technique combines the technique of the current-programming scheme with the technique of the voltage-programming scheme. The pixel circuit is programmed with a current through a current-programming scheme. A voltage to maintain that current is read and is stored at a lookup table. The next time that particular level of current is applied to the pixel circuit, instead of programming with a current, the pixel circuit is programmed based on information on the lookup

table. Accordingly, it attains the compensation inherent in the current programming scheme while attaining the fast programming time that is only possible with voltage-programming scheme.

In the above description, the correction table (lookup table) **80** is used to correct the current/voltage correction information. However, the system **82** of FIG. **12** may use the lookup table to correct the  $V_t$  shift and the current/voltage correction information at the same time in combination with the hybrid driving circuit of FIG. **3**, **6**, **8** or **20**.

For example, several voltage measurements are captured at many different current points by the A/D converter **96** (**56**). The hybrid controller **98** extracts the  $V_t$  shift information by extending the voltage versus current curve to zero current point. The  $V_t$  shift information is stored in an array of tables (correction table **80**) which is applied to incoming display data.

The uC **50** of FIG. **8** or **20** may utilize the lookup table to generate appropriate voltage and program the pixel circuit.

The hybrid circuits **12A** of FIGS. **3** and **12B** of FIG. **6** may be integrated into the system of FIG. **12**.

FIGS. **13-14** illustrate exemplary flow charts for showing the operation of the system of FIG. **12**. Referring to FIG. **13**, at step **S40**, calibration mode is enabled. At step **S42**, a pixel circuit is selected and current programming is implemented to the selected pixel circuit. At step **S44**, a switch matrix enable signal is enabled. Then the connection to the pixel circuit is changed. The  $V_t$  is sampled at step **S46**, and then the correction table is created/corrected at step **S48**. Referring to FIG. **14**, at step **S50**, video data are corrected based on the correction table. Then at step **S52**, new  $V$  data is produced based on the corrected data.

It is noted that the writing mode may be implemented based on the previously created correction table without implementing the calibration mode. It is noted that the operation of the system of FIG. **12** is not limited to FIGS. **13-14**.

FIG. **15** illustrates an exemplary timing chart for showing a combination of the  $V_t$  shift acquisition and the current/voltage correction. A switch matrix enable signal in FIG. **15** represents a control signal for the hybrid driver **12** of FIG. **12**.

Referring to FIGS. **12** and **15**, the calibration mode (i.e. the current-programming scheme) is enabled when the switch matrix enable signal is high. The programming mode (i.e. the voltage-programming scheme) is enabled when the switch matrix enable signal is low. However, the calibration mode may be enabled when the switch matrix enable signal is low. The programming mode may be enabled when the switch matrix enable signal is high.

A/D sampling is implemented during the calibration mode. During the calibration mode, the current from the reference current source **94** is applied to the pixel circuit. The voltage on the data input node is converted to a digital voltage by the A/D converter **56**. Based on the digital voltage and current associated with the digital voltage, current/voltage correction information is recorded at the lookup table. The  $V_t$  shift information is generated based on the data in the correction table **80** or the output from the A/D converter **96**.

The system **82** of FIG. **12** may implement hidden refresh technique for refreshing current/voltage correction information in addition to the table lookup technique described above.

Under the hidden refresh operation, new current/voltage correction information is constructed while completely hidden from user's perception. This technique utilizes the information that is currently displayed on the screen (i.e. the incoming video data). By obtaining the pixel characteristics from the full calibration routine that has been performed

during the manufacturing process of the display, the current/voltage correction information for each pixel in the display is known. During the display's usage, the current/voltage correction curve may shift due to the change in  $V_t$ . By measuring a single point along the current/voltage correction curve (which is the data currently displayed, that is part of the video image), a new current/voltage correction curve is extrapolated from the point so that it is fitted to the measured point. Based on the new current/voltage correction curve, the  $V_t$  shift information is extracted which is used to compensate for the shift in  $V_t$ .

FIG. **16** illustrates an exemplary flow chart for the hidden refresh operation of the system of FIG. **12**. First, a current/voltage correction curve is produced during the calibration process that is implemented during the manufacturing of the display (step **S62**). FIG. **17** illustrates an example of a sample of the current voltage correction curve.

Referring to FIG. **16**, the next step is to measure a point along the curve during the usage of the display. This point can be any point along the curve, so any data that the user currently has on the display can be used for calibration (step **S64**). FIG. **18** illustrates the current voltage correction of FIG. **17** and an example of a newly measured data point.

Referring to FIG. **16**, the last step is to shift the current/voltage correction curve to fit the point of voltage versus current relationship that is measured (step **S66**). FIG. **19** illustrates an example of a new current voltage correction curve based on the measured point of FIG. **18**.

The process associated with FIGS. **17-19** is implemented in the hybrid controller **98** of FIG. **12**.

The system **82** of FIG. **12** may implement a combined current and voltage-programming technique. FIG. **20** illustrates one example of a hybrid driving circuit for implementing the combined current and voltage-programming technique. The hybrid driving circuit of FIG. **20** may be included in the hybrid driver **12** of FIG. **12**.

In the hybrid driving circuit of FIG. **20**, the digital hybrid driving circuit **12C** and a current source **100** are provided to the data line DL of the pixel circuit.

To enhance the circuit's ability to compensate for a change in the current/voltage correction curve due to temperature, threshold voltage shift, or other factors, the pixel circuit programming is divided into two phases.

During the writing mode, the pixel circuit **10A** is voltage-programmed first to set the gate voltage of the driving TFT to an approximate value, then followed by a current programming phase. The current programming phase can then fine-tune the output current. The system of FIG. **20** is faster than current programming and has the compensation capabilities of the current programming scheme.

In FIG. **20**, the digital hybrid driving circuit **12C** is provided. However, the combined current and voltage-programming technique may be implemented by combining the hybrid driving circuit **12A** of FIG. **3** or **12B** of FIG. **6** with the current source **100**. The current source **100** may be the reference current source **94** of FIG. **12**.

The system **2** of FIG. **1** may implement the hidden refresh technique described above. The system **2** of FIG. **1** may implement the combined current and voltage-programming technique. The system **2** of FIG. **1** may include the hybrid driving circuit of FIG. **20** to implement the combined current and voltage-programming technique.

Extension of the direct digital programming scheme is now described in detail. The direct digital programming scheme (FIGS. **6**, **8** and **20**) can be extended to drive an OLED array (e.g. a 4T OLED array) using voltage programmed column drivers, such as those used for driving Active Matrix Liquid

## 11

Crystal Display (AMLCD), or voltage-programmed Active-Matrix Organic Light Emitting Diode (AMOLED) displays, or any other voltage-output display driver.

FIG. 21 illustrates a system for driving an AMOLED array having a plurality of pixel circuits in accordance with a further embodiment of the invention. The system 105 of FIG. 21 includes a voltage column driver 112, a programmable current source 114, a switching network 116, an A/D converter 118 and a row driver 120.

The voltage column driver 112 is a voltage programmed column driver. Each of the voltage column driver 112 and the row driver 120 may be any driver that has a voltage output, such as those designed for the AMLCD. The voltage column driver 112 and the programmable current source 114 are connected to an OLED array 110 through the switching network 116. The OLED array 110 forms an AMOLED display, and contains a plurality of pixel circuits (such as 10 of FIG. 1). The pixel circuit may be a current programmed pixel circuit or a voltage programmed pixel circuit.

The A/D converter 118 is an interface that allows an analog signal (i.e. current driving the display 110) to be read back as a digital signal. The digital signal associated with the current can then be processed and/or stored. The A/D converter 118 may be the A/D converter 56 of FIGS. 8 and 20. The column driver 112 may be the source driver 14 of FIGS. 1 and 12.

The system 105 of FIG. 21 implements the calibration mode and the display mode as described above.

FIG. 22 illustrates an example of the switch network 116 of FIG. 21. The switching network 116 of FIG. 22 includes two MOSFET switches 122 and 124 that can switch the column of the display (110) from connecting to the column driver (112) to the combination of the current source (114) and the A/D converter (118), and vice versa. A shift register 126 is a source of the digital control signal that controls the operation of the MOS switches 122 and 124. An inverter 128 inverts an output from the shift register 126. Thus, when the switch 122 is on (off), the switch 124 is off (on).

The switching network 116 may be located either off the glass in the column driver (112) or directly on the glass using TFT switches.

Referring to FIGS. 21-22, the system 105 uses only one current source 114. The voltage-programming drivers (such as, AMLCD drivers, or any other voltage-output drivers) drive the rest of the display 110. The switching matrix (switching network 116) allows different pixels within the array of pixels to be connected to a single current source (114) through a time division method. This allows a single current source to be applied to the entire display. This lowers the cost of the driver circuit and speeds up the programming time for the pixel circuit.

The system 105 uses the A/D converter 118 to convert an analog output of the data node (e.g. DL of FIG. 2) of the pixel circuit to digital data. The conversion by the A/D converter 118 removes the requirements of having to acquire the  $V_t$  every programming cycle. The  $V_t$  of the pixel circuit may be acquired once every few minutes. Thus it may acquire one column of the panel every refresh cycle.

Only one A/D 118 may be implemented for all the columns. The circuit acquires only one pixel per frame refresh. For example, for a 320 by 240 panel, the number of pixels is 76,800. For a frame rate of 30 Hz, the time required to acquire  $V_t$  from all pixels for the entire frame is 43 minutes. This may be acceptable for some applications, providing that  $V_t$  does not shift substantially in an hour.

The parasitics only affect the amount of time to discharge the capacitor to acquire  $V_t$ . Since the circuit is voltage-programmed, it is not affected by the parasitics. Since  $V_t$  is only

## 12

acquired one column per frame time, it can be long. For example, for a display with 320 columns that has a frame rate of 30 Hz, each frame time is 33 mS. For voltage programming, it is possible to program a pixel in 70  $\mu$ S. For 320 columns, the time to update the display is 22 mS, which still leave 11 mS to complete a charge/discharge cycle.

The system 105 may implement the lookup table technique to compensate for  $V_t$  shift and/or to correct the current/voltage information as described above

The system 105 may implement the hidden refresh technique to acquire the  $V_t$  shift information and current/voltage correction information of each pixel circuit (10) in the display 110. This current/voltage correction information is used to populate a lookup table (e.g. a correction table 80 of FIG. 12) that will then be used to compensate for the degradation in the pixel circuit, which is caused by aging. To reduce cost, the number of current-programmed circuits has been reduced so there is only one per display instead of one per column driver.

The system 105 may implement the combined current and voltage-programming technique as described above.

The current/voltage information of the pixel circuit can be further corrected by implementing a system illustrated in FIG. 23. FIG. 23 illustrates a system for correcting the current/voltage information of the pixel circuit. In FIG. 23, a display 130 is depicted as a 2T or 4T OLED array. However, the display 130 may include a plurality of pixel circuits, each having three or more than four transistors. The display 130 may include voltage-driven pixel circuits or current-driven pixel circuits. The system of FIG. 23 is applicable to the systems 2, 82 and 105 of FIGS. 1, 12 and 22.

As illustrated in FIG. 23, a switch 132 is provided to disconnect the common electrode of the OLED. It is well known that two electrodes are provided for the OLED. One is connected to the pixel circuit, and the other is a common electrode connected to all OLEDs. It is noted that the common electrode may be  $V_{dd}$  or GND depending on the type of OLED. The switch 132 connects the common electrode of the OLED into a current sensing network 134 utilizing a high side common mode sensor (such as, INA168 by TI). The current sensing network 134 measures the current through the common electrode.

During the calibration phase, each pixel is lit individually and the current consumed is acquired by the sensing network 134. The acquired current is used to correct the lookup table (e.g. the correction table 80 of FIG. 12) populated by the direct digital hybrid driving circuit of FIG. 8 or 20.

A dark display current may be acquired to include the effect of dead pixel and leakage current of the array. During this procedure, all pixels are turned off, and the current (i.e. dark display current) is measured.

According to the embodiments of the present invention, the major issue with current-programmed pixel circuits, which is the slow programming time, is solved. The concept of using feedback to compensate the pixel circuit enhances the uniformity and stability of the display while retaining the fast programming capability of the voltage programmed drive scheme.

The present invention has been described with regard to one or more embodiments. However, it will be apparent to persons skilled in the art that a number of variations and modifications can be made without departing from the scope of the invention as defined in the claims.

What is claimed is:

1. A system for programming at least one pixel circuit in a display, the system comprising:
  - a [voltage] driver for generating a *current or a voltage* to apply to a data node of the at least one pixel circuit to

## 13

thereby program the at least one pixel circuit according to the generated *current or voltage*;

a programmable current source for providing a first current and a second current to apply to the data node of the at least one pixel circuit;

a sampler for reading a first voltage on the data node while the first current is maintained through the at least one pixel circuit via the programmable current source and for reading a second voltage on the data node while the second current is maintained through the at least one pixel circuit via the programmable current source; and

a controller configured to:

generate a voltage versus current relationship for the at least one pixel circuit based on the first current and the second current and based on the sampled first and second voltages,

extract, based on the voltage versus current relationship for the at least one pixel circuit, a voltage corresponding to a zero current level, and

program the at least one pixel circuit via the data node with a programming *current or voltage* generated by the [voltage] driver that is set according to display data and according to the extracted voltage corresponding to the zero current level.

2. The system according to claim 1, wherein the at least one pixel circuit is configured to be alternately programmed by a programming current applied to the data node or by a programming voltage applied to the data node.

3. The system according to claim 2, wherein the at least one pixel circuit includes a mirror transistor having a gate coupled to a gate terminal of [the] a driving transistor, the at least one pixel circuit configured such that the data node is coupled to a gate terminal of the mirror transistor via one or more switch transistors, the applied current being conveyed via the one or more switch transistors through the mirror transistor while the gate terminal of the mirror transistor adjusts to a voltage for maintaining the applied current through the mirror transistor.

4. The system according to claim 3, wherein the one or more switch transistors include a first switch transistor and a second *switch* transistor,

the first switch transistor operated according to a select signal and configured to couple the data node to the gate terminal of the mirror transistor while the first switch transistor is switched on,

the second switch transistor operated according to the select signal and configured to couple the data node to a drain or a source terminal of the mirror transistor while the second switch transistor is switched on.

5. The system according to claim 2, wherein the at least one pixel circuit includes one or more switch transistors configured to couple the data node to a drain or a source terminal of [the] a driving transistor while the programming current is applied to the at least one pixel circuit via the data node,

the one or more switch transistors further configured to couple the data node to a gate terminal of the driving transistor while the programming current is applied, such that the gate terminal of the driving transistor adjusts to a voltage for maintaining the applied current through the driving transistor,

the one or more switch transistors further configured to couple the data node to [a] the gate terminal of the driving transistor while the programming voltage is applied to the at least one pixel circuit via the data node.

## 14

6. The system according to claim 1, wherein the sampler includes an analog to digital converter configured to capture digital information indicative of the first and second voltages on the data node.

7. The system according to claim 6, further comprising a memory for storing the digital information indicative of the first and second voltages, the digital information being stored in a lookup table that associates the first and second voltages with the first and second currents to thereby characterize the voltage versus current relationship of the at least one pixel circuit.

8. The system according to claim 1, wherein the controller is further configured to instruct the voltage driver to set the programming voltage for the at least one pixel circuit by adding the voltage corresponding to the zero current level to a voltage indicated by the display data.

9. The system according to claim 1, wherein the at least one pixel circuit is a plurality of pixel circuits arranged in an array of rows and columns, each of the plurality of pixel circuits having a data node coupled to a data line, and wherein the programmable current source is configured to generate a plurality of currents to apply to each of the plurality of pixel circuits and the sampler is configured to read a corresponding plurality of voltages for each of the plurality of pixel circuits while each of the plurality of currents is maintained through respective ones of the plurality of pixel circuits.

10. The system according to claim 1, wherein the controller is configured to extract the threshold voltage of the driving transistor of the at least one pixel circuit by extending the voltage versus current relationship for the at least one pixel circuit to the zero current level and determining the voltage corresponding to the zero current level, the voltage corresponding to the zero current level providing an estimate of the threshold voltage of the driving transistor of the at least one pixel circuit.

11. The system according to claim 1, further comprising a memory communicatively coupled to the controller for digitally storing digital information indicative of the first and second voltages.

12. The system according to claim 1, wherein the at least one pixel circuit includes an organic light emitting diode for emitting light according to the display data and one or more thin film transistors for conveying a current through the organic light emitting diode according to the display data.

13. A method of operating a display having at least one pixel circuit, the at least one pixel circuit having a light emitting device coupled in series with a driving transistor configured to convey a driving current through the light emitting device according to display information, the at least one pixel circuit configured to be alternately programmed according to the display information by a programming current applied to a data node of the at least one pixel circuit or by a programming voltage applied to the data node, the method comprising:

applying a first current to the data node of the at least one pixel circuit;

reading a first voltage on the data node while the first current is maintained through the at least one pixel circuit;

applying a second current to the data node of the at least one pixel circuit;

reading a second voltage on the data node while the second current is maintained through the at least one pixel circuit;

storing digital information indicative of the first and second voltages such that the first and second voltages are associated with the first and second currents;

## 15

generating a voltage versus current relationship for the at least one pixel circuit based on the first and second voltages and the first and second currents;

extracting, based on the generated voltage versus current relationship for the at least one pixel circuit, a voltage corresponding to a zero current level; and

programming the at least one pixel circuit by applying, to the data node of the at least one pixel circuit, a programming voltage that is based on the display data and the voltage corresponding to the zero current level.

14. The method according to claim 13, wherein the at least one pixel circuit is at least one of a plurality of pixel circuits arranged in an array of rows and columns in the display, and wherein the applying the first and second current, the reading the first and second voltages, the storing, the generating, and the extracting are applied to each of the plurality of pixel circuits such that voltages corresponding to the zero current level are extracted for each of the plurality of pixel circuits.

15. The method according to claim 14, wherein the voltage corresponding to the zero current level is an estimate of a threshold voltage of the driving transistor in the at least one pixel circuit, and wherein the programming is applied to each of the plurality of pixel circuits based on the display data for each of the plurality of pixel circuits and based on the estimate of the threshold voltage of the driving transistor for each of the plurality of pixel circuits such that the display is operated to compensate for the threshold voltages of the driving transistors in each of the plurality of pixel circuits.

16. The method according to claim 13, wherein the storing is carried out by digitally storing the digital information indicative of the first and second voltages in a lookup table associated with the at least one pixel circuit.

17. The method according to claim 13, wherein the applying the first current and the applying the second current are performed during a calibration mode of the display that is distinct from a normal display mode, the calibration mode being a period during which images are not shown on the display.

18. The method according to claim 13, wherein at least one of the first current or the second current is a programming current applied to the at least one pixel circuit during a programming operation of a normal display mode to program the at least one pixel circuit to emit light according to the display information.

19. The method according to claim 13, wherein the at least one pixel circuit is at least one of a plurality of pixel circuits arranged in an array of rows and columns in the display, and wherein at least one of the first current or the second current is a programming current applied to the at least one pixel circuit during a programming operation of a normal display mode while others of the plurality of pixel circuits are voltage programmed with programming voltages, thereby hiding the applying the at least one of the first current or the second current to the at least one pixel circuit.

20. The method according to claim 13, further comprising: responsive to the extracting, applying a third current to the data node of the at least one pixel circuit;

reading a third voltage on the data node while the third current is maintained through the at least one pixel circuit;

storing digital information indicative of the third voltage such that the third voltage is associated with the third current;

updating the voltage versus current relationship for the at least one pixel circuit based on at least the third voltage and the third current;

## 16

extracting, based on the updated voltage versus current relationship for the at least one pixel circuit, a voltage corresponding to a zero current level, the voltage corresponding to the zero current level being an updated estimate of a threshold voltage of the driving transistor in the at least one pixel circuit; and

programming the at least one pixel circuit to compensate for the threshold voltage of the driving transistor by applying, to the data node of the at least one pixel circuit, a programming voltage that is based on the display data and the updated estimated threshold voltage.

21. A system for programming at least one pixel circuit in a display, the system comprising:

a voltage driver for generating a voltage to apply to a data node of the at least one pixel circuit to thereby program the at least one pixel circuit according to the generated voltage;

a programmable current source for providing a first current to apply to the data node of the at least one pixel circuit; a sampler for reading a first voltage on the data node while the first current is maintained through the at least one pixel circuit via the programmable current source; and a controller configured to:

receive calibration data indicative of a voltage versus current relationship for the at least one pixel circuit;

generate an updated voltage versus current relationship for the at least one pixel circuit based on the first current and the first voltage and based on the received calibration data,

extract, based on the updated voltage versus current relationship for the at least one pixel circuit, a voltage corresponding to a zero current level, and program the at least one pixel circuit via the data node with a programming voltage generated by the voltage driver that is set according to display data and according to the extracted voltage corresponding to the zero current level.

22. The system according to claim 21, wherein the first current is a programming current applied to the at least one pixel circuit during a programming operation of a normal display mode to program the at least one pixel circuit to emit light according to the display information.

23. The system according to claim 21, wherein the at least one pixel circuit is configured to be alternately programmed by a programming current applied to the data node or by a programming voltage applied to the data node.

24. The system according to claim 21, wherein the at least one pixel circuit is a plurality of pixel circuits arranged in an array of rows and columns, each of the plurality of pixel circuits having a data node coupled to a data line, and wherein the programmable current source is configured to generate a plurality of currents to apply to each of the plurality of pixel circuits and the sampler is configured to read a corresponding plurality of voltages for each of the plurality of pixel circuits while each of the plurality of currents is maintained through respective ones of the plurality of pixel circuits.

25. The system according to claim 21, wherein the sampler includes an analog to digital converter configured to capture digital information indicative of the first and second voltages on the data node.

26. The system according to claim 25, further comprising a memory for storing the digital information indicative of the first voltage, the digital information being stored in a lookup table that associates the first voltage with the first current to thereby characterize the voltage versus current relationship of the at least one pixel circuit.

27. The system according to claim 21, wherein the at least one pixel circuit includes an organic light emitting diode for emitting light according to the display data and one or more thin film transistors for conveying a current through the organic light emitting diode according to the display data.

28. A method of operating a display having at least one pixel circuit, the at least one pixel circuit having a light emitting device coupled in series with a driving transistor configured to convey a driving current through the light emitting device according to display information, the at least one pixel circuit configured to be alternately programmed according to the display information by a programming current applied to a data node of the at least one pixel circuit or by a programming voltage applied to the data node, the method comprising:

applying a first current to the data node of the at least one pixel circuit;

reading a first voltage on the data node while the first current is maintained through the at least one pixel circuit;

storing digital information indicative of the first voltage such that the first voltage is associated with the first current;

receiving calibration data indicative of a voltage versus current relationship for the at least one pixel circuit;

generating an updated voltage versus current relationship for the at least one pixel circuit based on the first voltage, the first current, and the received calibration data;

extracting, based on the updated voltage versus current relationship for the at least one pixel circuit, a voltage corresponding to a zero current level; and

programming the at least one pixel circuit by applying, to the data node of the at least one pixel circuit, a programming voltage that is based on the display data and the voltage corresponding to the zero current level.

29. The method according to claim 28, wherein the at least one pixel circuit is at least one of a plurality of pixel circuits arranged in an array of rows and columns in the display, and wherein the applying the first current, the reading the first voltage, the storing, the receiving, the generating, and the extracting are applied to each of the plurality of pixel circuits such that voltages corresponding to the zero current level are extracted for each of the plurality of pixel circuits.

30. The method according to claim 29, wherein the voltage corresponding to the zero current level is an estimate of a threshold voltage of the driving transistor in the at least one pixel circuit, and wherein the programming is applied to each of the plurality of pixel circuits based on the display data for each of the plurality of pixel circuits and based on the estimate of the threshold voltage of the driving transistor for each of the plurality of pixel circuits such that the display is operated to compensate for the threshold voltages of the driving transistors in each of the plurality of pixel circuits.

31. A method of adjusting a programming value for a pixel circuit in an OLED display to compensate for degradation of the display or for non-uniformity and degradation of the display, the method comprising:

applying a charge to the pixel circuit to acquire threshold voltage information or a shift in threshold voltage information from the pixel circuit;

responsive to applying the charge, measuring a voltage of the pixel circuit;

extracting from the measured voltage a degradation of the pixel circuit, the degradation adversely affecting a programmed brightness of an OLED in the pixel circuit;

digitizing the extracted degradation of the pixel circuit to a digital compensation value representing the degradation of the pixel circuit; and

adjusting a video input signal to the pixel circuit based on the digital compensation value to compensate for the degradation of the pixel circuit, wherein the extracting the degradation includes extracting a threshold voltage or a shift in the threshold voltage of a drive transistor in the pixel circuit.

32. The method of claim 31, wherein the extracting the degradation includes measuring a rate of discharge of a voltage on the data node of the pixel circuit.

33. The method of claim 31, wherein the digitizing the extracted degradation includes:

storing digital data corresponding to the digitized extracted degradation in a memory;

adding the digital data to the programming value to produce a resulting voltage; and

converting the resulting voltage to a corresponding analog value to be applied as the video input signal during a programming phase.

34. The method of claim 31, wherein the adjusted video signal input is applied to the pixel circuit during the programming phase as a current or a voltage.

35. The method of claim 31, further comprising:

generating a voltage versus current relationship for the pixel circuit based on current values applied to a data node of the pixel circuit and based on voltages sampled at the data node; and

extracting, based on the generated voltage versus current relationship, a voltage corresponding to a zero current level,

wherein the digital compensation value is further adjusted based on the extracted voltage.

36. A method of adjusting a programming value for a pixel circuit in an OLED display to compensate for degradation or non-uniformity of the display or for non-uniformity and degradation of the display, the method comprising:

applying a current to a node of a pixel circuit; responsive to the applying, acquiring a voltage from the node;

creating, from the acquired voltage, a compensation value; storing the compensation value in a memory device; and

correcting a video input signal applied to the pixel circuit based on the stored compensation value, wherein the compensation value is indicative of a threshold voltage or a shift in the threshold voltage of a drive transistor in the pixel circuit.

37. The method of claim 36, wherein the node is a data node.

38. The method of claim 36, wherein the voltage acquired from the data node corresponds to the threshold voltage or the shift in the threshold voltage of a drive transistor in the pixel circuit.

39. The method of claim 36, wherein the creating the compensation value includes:

storing digital data corresponding to the compensation value in a memory;

adding the digital data to the programming value to produce a resulting voltage; and

converting the resulting voltage to a corresponding analog value to be applied as the video input signal during a programming phase.

40. The method of claim 36, wherein the corrected video signal input is applied to the pixel circuit during the programming phase as a current or a voltage.



41. A system for driving a display panel including a pixel circuit having a plurality of transistors and an organic light emitting device, the system comprising:

a driver for generating a programming voltage or current to program the pixel circuit through a data line coupled to the pixel circuit;

a switching network connected to the display panel;

a measurement unit connected to the switching network and shared among multiple columns of the display panel, the measurement unit converting an analog measurement from a data node of corresponding pixel circuits in the multiple columns to a digitalized value; and a memory device configured to store the digital values converted by the measurement unit.

42. The method of claim 41, wherein the measurement unit includes an analog-to-digital converter.

43. A method of extracting different parameters from a pixel circuit in a display panel, comprising:

extracting, using a first measurement implementation, from the pixel circuit a first parameter indicative of a degradation or non-uniformity of the pixel circuit;

extracting, using a second measurement implementation different from the first measurement implementation, from the pixel circuit a second parameter indicative of the same or a different degradation or non-uniformity of the pixel circuit as the first extracted parameter; and

driving the pixel circuit with programming information that is adjusted based on the extracted first parameter or the extracted second parameter or both, wherein the first parameter is related to a threshold voltage of a drive transistor in the pixel circuit.

44. The method of claim 43, wherein the second parameter is a current through a common electrode of an organic light emitting device in the pixel circuit, wherein the common electrode is connected to all of the organic light emitting devices in the display panel.

45. A method of adjusting a programming value for a pixel circuit in an OLED display to compensate for degradation of the display or for non-uniformity and degradation of the display, the method comprising:

applying a charge to the pixel circuit to acquire threshold voltage information or a shift in threshold voltage information from the pixel circuit;

responsive to applying the charge, measuring a voltage of the pixel circuit;

extracting from the measured voltage a degradation of the pixel circuit, the degradation adversely affecting a programmed brightness of an OLED in the pixel circuit;

digitizing the extracted degradation of the pixel circuit to a digital compensation value representing the degradation of the pixel circuit; and

adjusting a video input signal to the pixel circuit based on the digital compensation value to compensate for the degradation of the pixel circuit, wherein the extracting the degradation includes measuring a voltage remaining on a data node of the pixel circuit during a threshold voltage acquisition.

46. The method of claim 45, wherein the voltage remaining on the data node corresponds to a threshold voltage or a shift in the threshold voltage of a drive transistor in the pixel circuit.

47. The method of claim 45, wherein the digitizing the extracted degradation includes:

storing digital data corresponding to the digitized extracted degradation in a memory;

adding the digital data to the programming value to produce a resulting voltage; and

converting the resulting voltage to a corresponding analog value to be applied as the video input signal during a programming phase.

48. The method of claim 45, wherein the adjusted video signal input is applied to the pixel circuit during the programming phase as a current or a voltage.

49. A method of adjusting a programming value for a pixel circuit in an OLED display to compensate for degradation of the display or for non-uniformity and degradation of the display, the method comprising:

applying a charge to the pixel circuit to acquire threshold voltage information or a shift in threshold voltage information from the pixel circuit;

responsive to applying the charge, measuring a voltage of the pixel circuit;

extracting from the measured voltage a degradation of the pixel circuit, the degradation adversely affecting a programmed brightness of an OLED in the pixel circuit;

digitizing the extracted degradation of the pixel circuit to a digital compensation value representing the degradation of the pixel circuit; and

adjusting a video input signal to the pixel circuit based on the digital compensation value to compensate for the degradation of the pixel circuit, wherein the extracting the degradation includes measuring a rate of discharge of a voltage on the data node of the pixel circuit.

50. The method of claim 49, wherein the digitizing the extracted degradation includes:

storing digital data corresponding to the digitized extracted degradation in a memory;

adding the digital data to the programming value to produce a resulting voltage; and

converting the resulting voltage to a corresponding analog value to be applied as the video input signal during a programming phase.

51. The method of claim 49, wherein the adjusted video signal input is applied to the pixel circuit during the programming phase as a current or a voltage.

52. A method of adjusting a programming value for a pixel circuit in an OLED display to compensate for degradation of the display or for non-uniformity and degradation of the display, the method comprising:

applying a charge to the pixel circuit to acquire threshold voltage information or a shift in threshold voltage information from the pixel circuit;

responsive to applying the charge, measuring a voltage of the pixel circuit;

extracting from the measured voltage a degradation of the pixel circuit, the degradation adversely affecting a programmed brightness of an OLED in the pixel circuit;

digitizing the extracted degradation of the pixel circuit to a digital compensation value representing the degradation of the pixel circuit; and

adjusting a video input signal to the pixel circuit based on the digital compensation value to compensate for the degradation of the pixel circuit,

wherein the digitizing the extracted degradation includes: storing digital data corresponding to the digitized extracted degradation in a memory;

adding the digital data to the programming value to produce a resulting voltage; and

converting the resulting voltage to a corresponding analog value to be applied as the video input signal during a programming phase.

## 21

53. The method of claim 52, wherein the extracting the degradation includes extracting a threshold voltage or a shift in the threshold voltage of a drive transistor in the pixel circuit.

54. The method of claim 52, wherein the extracting the degradation includes measuring a voltage remaining on a data node of the pixel circuit during a threshold voltage acquisition.

55. The method of claim 54, wherein the voltage remaining on the data node corresponds to a threshold voltage or a shift in the threshold voltage of a drive transistor in the pixel circuit.

56. The method of claim 52, wherein the extracting the degradation includes measuring a rate of discharge of a voltage on the data node of the pixel circuit.

57. A method of adjusting a programming value for a pixel circuit in an OLED display to compensate for degradation of the display or for non-uniformity and degradation of the display, the method comprising:

applying a charge to the pixel circuit to acquire threshold voltage information or a shift in threshold voltage information from the pixel circuit; responsive to applying the charge, measuring a voltage of the pixel circuit;

extracting from the measured voltage a degradation of the pixel circuit, the degradation adversely affecting a programmed brightness of an OLED in the pixel circuit; digitizing the extracted degradation of the pixel circuit to a digital compensation value representing the degradation of the pixel circuit; and

adjusting a video input signal to the pixel circuit based on the digital compensation value to compensate for the degradation of the pixel circuit, wherein the adjusted video signal input is applied to the pixel circuit during a programming phase as a current or a voltage.

58. The method of claim 57, wherein the extracting the degradation includes extracting a threshold voltage or a shift in the threshold voltage of a drive transistor in the pixel circuit.

59. The method of claim 57, wherein the extracting the degradation includes measuring a voltage remaining on a data node of the pixel circuit during a threshold voltage acquisition.

60. The method of claim 59, wherein the voltage remaining on the data node corresponds to a threshold voltage or a shift in the threshold voltage of a drive transistor in the pixel circuit.

61. The method of claim 57, wherein the extracting the degradation includes measuring a rate of discharge of a voltage on the data node of the pixel circuit.

62. The method of claim 57, wherein the digitizing the extracted degradation includes:

storing digital data corresponding to the digitized extracted degradation in a memory;

adding the digital data to the programming value to produce a resulting voltage; and

converting the resulting voltage to a corresponding analog value to be applied as the video input signal during a programming phase.

63. The method of claim 57, further comprising: generating a voltage versus current relationship for the pixel circuit based on current values applied to a data node of the pixel circuit and based on voltages sampled at the data node; and

extracting, based on the generated voltage versus current relationship, a voltage corresponding to a zero current level,

## 22

wherein the digital compensation value is further adjusted based on the extracted voltage.

64. A method of adjusting a programming value for a pixel circuit in an OLED display to compensate for degradation or non-uniformity of the display or for non-uniformity and degradation of the display, the method comprising:

applying a current to a node of a pixel circuit; responsive to the applying, acquiring a voltage from the node;

creating, from the acquired voltage, a compensation value; storing the compensation value in a memory device; and correcting a video input signal applied to the pixel circuit based on the stored compensation value, wherein the voltage acquired from the data node corresponds to a threshold voltage or a shift in the threshold voltage of a drive transistor in the pixel circuit.

65. The method of claim 64, wherein the node is a data node.

66. The method of claim 64, wherein the creating the compensation value includes:

storing digital data corresponding to the compensation value in a memory;

adding the digital data to the programming value to produce a resulting voltage; and

converting the resulting voltage to a corresponding analog value to be applied as the video input signal during a programming phase.

67. The method of claim 64, wherein the corrected video signal input is applied to the pixel circuit during a programming phase as a current or a voltage.

68. A method of extracting different parameters from a pixel circuit in a display panel, comprising:

extracting, using a first measurement implementation, from the pixel circuit a first parameter indicative of a degradation or non-uniformity of the pixel circuit;

extracting, using a second measurement implementation different from the first measurement implementation, from the pixel circuit a second parameter indicative of the same or a different degradation or non-uniformity of the pixel circuit as the first extracted parameter; and

driving the pixel circuit with programming information that is adjusted based on the extracted first parameter or the extracted second parameter or both, wherein the second parameter is a current through a common electrode of an organic light emitting device in the pixel circuit, wherein the common electrode is connected to all of the organic light emitting devices in the display panel.

69. The method of claim 84, wherein the first parameter is related to a threshold voltage of a drive transistor in the pixel circuit.

70. A method of adjusting a programming value for a pixel circuit in an OLED display to compensate for degradation of the display or for non-uniformity and degradation of the display, the method comprising:

applying a charge to the pixel circuit to acquire threshold voltage information or a shift in threshold voltage information from the pixel circuit;

responsive to applying the charge, measuring a voltage of the pixel circuit;

extracting from the measured voltage a degradation of the pixel circuit, the degradation adversely affecting a programmed brightness of an OLED in the pixel circuit;

digitizing the extracted degradation of the pixel circuit to a digital compensation value representing the degradation of the pixel circuit;

*adjusting a video input signal to the pixel circuit based on  
the digital compensation value to compensate for the  
degradation of the pixel circuit;*  
*generating a voltage versus current relationship for the  
pixel circuit based on current values applied to a data 5  
node of the pixel circuit and based on voltages sampled  
at the data node; and*  
*extracting, based on the generated voltage versus current  
relationship, a voltage corresponding to a zero current  
level, 10*  
*wherein the digital compensation value is further adjusted  
based on the extracted voltage.*

\* \* \* \* \*