



US00RE45256E

(19) **United States**
(12) **Reissued Patent**
Vogt et al.

(10) **Patent Number:** **US RE45,256 E**
(45) **Date of Reissued Patent:** **Nov. 25, 2014**

(54) **GARMENT SIDE PANEL CONVEYOR SYSTEM AND METHOD**

(75) Inventors: **Brian Robert Vogt**, Oshkosh, WI (US); **Jack Lee Couillard**, Menasha, WI (US); **Jason Gene Csida**, Reno, TX (US); **Patricia Katherine Eng**, Appleton, WI (US); **Richard Mark Konetzke**, Menasha, WI (US); **Michael Lee Lohoff**, Oshkosh, WI (US); **Charles Robert Tomsovic**, Omro, WI (US)

(73) Assignee: **Kimberly-Clark Worldwide, Inc.**, Neenah, WI (US)

(21) Appl. No.: **13/540,802**

(22) Filed: **Jul. 3, 2012**

Related U.S. Patent Documents

Reissue of:

(64) Patent No.: **7,387,148**
Issued: **Jun. 17, 2008**
Appl. No.: **10/302,452**
Filed: **Nov. 22, 2002**

U.S. Applications:

(62) Division of application No. 09/858,071, filed on May 15, 2001, now Pat. No. 6,513,221.

(60) Provisional application No. 60/204,486, filed on May 16, 2000.

(51) **Int. Cl.**
B32B 3/04 (2006.01)
B31B 1/26 (2006.01)

(52) **U.S. Cl.**
USPC **156/480**; 156/479; 156/478; 156/477.1; 156/476; 156/475; 493/358; 493/382; 493/405; 493/417

(58) **Field of Classification Search**
USPC 156/433, 479, 478, 476, 475, 480, 156/477.1; 493/356-360, 379-382, 405, 493/416, 417
See application file for complete search history.

(56) **References Cited**

U.S. PATENT DOCUMENTS

1,912,466 A 6/1933 Remington
1,912,724 A 6/1933 Remington
2,037,561 A 4/1936 Blosser et al.

(Continued)

FOREIGN PATENT DOCUMENTS

EP 0 217 032 A2 4/1987
EP 0217032 * 4/1987

(Continued)

OTHER PUBLICATIONS

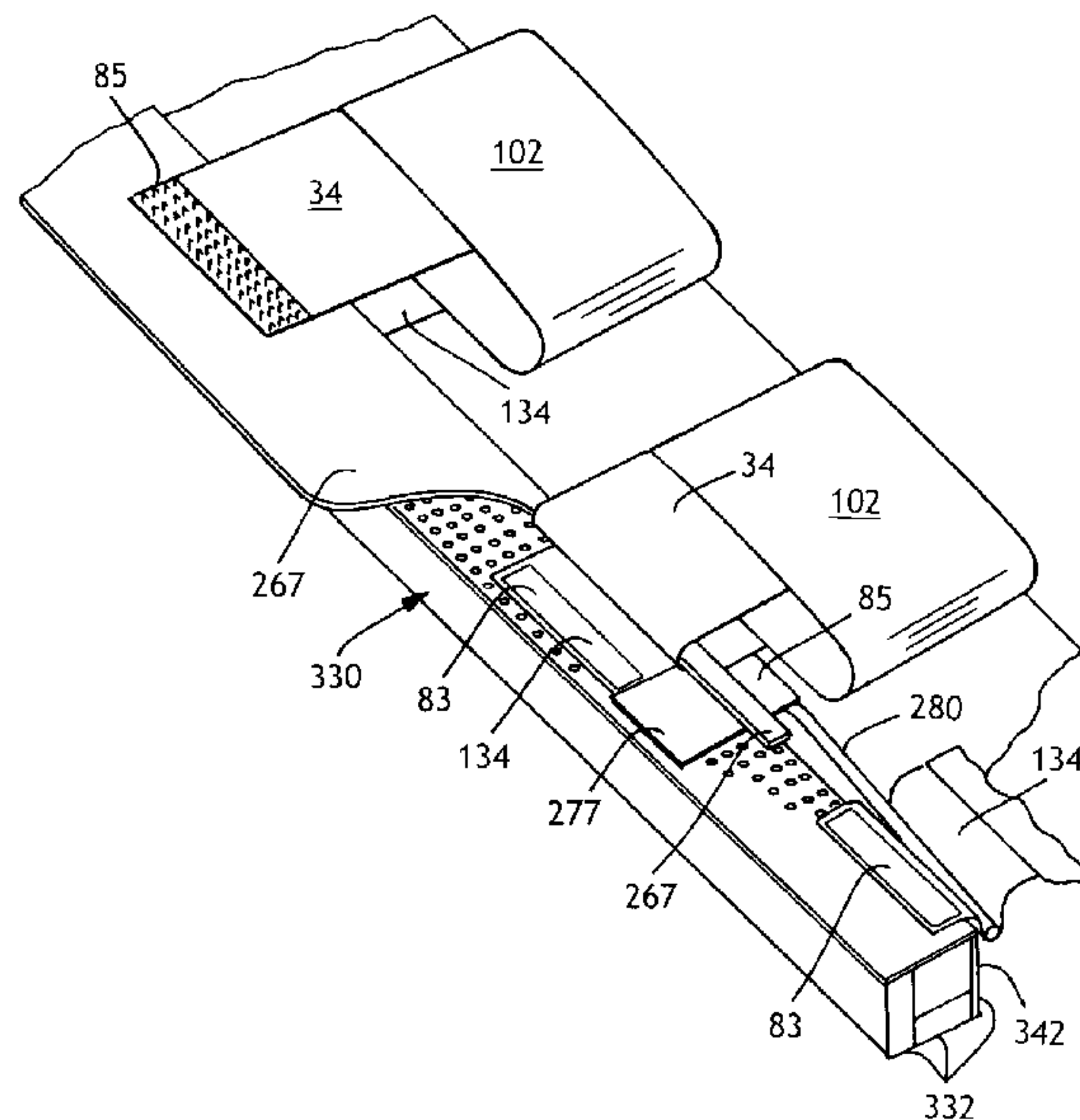
Italian Application No. PE92A000001, Filed Jan. 16, 1992; Entitled: Method and Machine for Longitudinal Folding of Products with Parts that Protrude from the Main Body; 27 pages.

Primary Examiner — George Koch
(74) *Attorney, Agent, or Firm* — Armstrong Teasdale LLP.

(57) **ABSTRACT**

A method for positioning side panels during manufacture of a pant includes positioning the side panels on side panel transfer devices. The side panels move perpendicular to a pant transport plane as the pant is transported in the machine direction and the side panels reside on the side panel transfer devices. The side panels can include refastenable fastening components. The method and apparatus can move the fastening components closer together in the cross-machine direction or maintain the fastening components at a constant cross-machine position while the side panels reside on the side panel transfer devices.

25 Claims, 24 Drawing Sheets



(56)

References Cited

U.S. PATENT DOCUMENTS

2,714,230 A 8/1955 Young
 3,116,920 A 1/1964 Geer et al.
 3,502,322 A 3/1970 Cran
 3,632,030 A 1/1972 Cohn et al.
 3,669,800 A 6/1972 Gore
 3,808,767 A 5/1974 Reid
 3,870,292 A 3/1975 Bradley
 3,874,043 A 4/1975 Holm
 3,918,706 A 11/1975 Craft
 3,994,486 A 11/1976 Nystrand
 4,018,432 A 4/1977 Frick
 4,022,456 A * 5/1977 Hooper et al. 493/357
 4,025,373 A 5/1977 Hirsch et al.
 4,053,967 A 10/1977 Mair
 4,145,763 A 3/1979 Abrams et al.
 4,170,347 A 10/1979 Lewis
 4,186,860 A 2/1980 Reba
 4,197,621 A 4/1980 Mair
 4,205,679 A 6/1980 Repke et al.
 4,279,610 A 7/1981 Reba
 4,323,534 A 4/1982 DesMarais
 4,342,413 A 8/1982 Reba
 4,402,690 A 9/1983 Redfern
 4,418,513 A 12/1983 Plahm
 4,453,709 A 6/1984 Reba
 4,479,640 A 10/1984 Smith
 4,516,760 A 5/1985 Stumpf
 4,543,154 A 9/1985 Reiter
 4,597,573 A 7/1986 Reba et al.
 4,610,680 A 9/1986 LaFleur
 4,615,695 A 10/1986 Cooper
 4,640,726 A 2/1987 Sallee et al.
 4,663,106 A 5/1987 Pomplun et al.
 4,663,220 A 5/1987 Wisneski et al.
 4,665,306 A 5/1987 Roland et al.
 4,680,450 A 7/1987 Thorson et al.
 4,699,622 A 10/1987 Toussant et al.
 4,702,468 A 10/1987 Pollich
 4,704,116 A 11/1987 Enloe
 4,710,189 A 12/1987 Lash
 4,717,375 A 1/1988 Lundmark
 4,750,442 A 6/1988 Keeton
 4,808,252 A 2/1989 Lash
 4,834,738 A 5/1989 Kielpikowski et al.
 4,865,579 A 9/1989 Kirby et al.
 4,875,668 A 10/1989 Spyra
 4,883,549 A 11/1989 Frost et al.
 4,885,853 A 12/1989 McCabe
 4,908,247 A 3/1990 Baird et al.
 4,936,840 A 6/1990 Proxmire
 4,940,464 A 7/1990 Van Gompel et al.
 5,046,272 A 9/1991 Vogt et al.
 5,087,253 A 2/1992 Cooper
 5,092,862 A 3/1992 Muckenfuhs et al.
 5,092,863 A 3/1992 Schanzlin
 5,093,422 A 3/1992 Himes
 5,104,116 A 4/1992 Pohjola
 5,110,403 A 5/1992 Ehlert
 5,140,757 A 8/1992 Terada
 5,176,615 A 1/1993 Munsch
 5,184,555 A 2/1993 Quadracci et al.
 5,197,722 A 3/1993 Adamski, Jr. et al.
 5,199,623 A 4/1993 Rajala et al.
 5,224,405 A 7/1993 Pohjola
 5,226,992 A 7/1993 Morman
 5,300,007 A 4/1994 Kober
 5,304,599 A 4/1994 Himes
 5,330,598 A 7/1994 Erdman et al.
 5,344,691 A 9/1994 Hanschen et al.
 5,353,979 A 10/1994 Gartmann
 5,363,784 A 11/1994 Adamski, Jr. et al.
 5,370,634 A 12/1994 Ando et al.
 5,399,219 A 3/1995 Roessler et al.
 5,435,802 A 7/1995 Kober
 5,556,360 A 9/1996 Kober et al.

5,607,416 A 3/1997 Yamamoto et al.
 5,626,711 A 5/1997 Herrmann
 5,660,666 A 8/1997 Dilnik et al.
 5,669,996 A 9/1997 Jessup
 5,705,013 A 1/1998 Nease et al.
 5,765,495 A 6/1998 Adamski, Jr.
 5,766,389 A 6/1998 Brandon et al.
 5,772,825 A 6/1998 Schmitz
 5,779,831 A 7/1998 Schmitz
 5,785,699 A 7/1998 Schmitz
 5,788,805 A 8/1998 Herrmann
 5,795,350 A 8/1998 Schmitz
 5,795,433 A 8/1998 Niedermeyer
 5,803,448 A 9/1998 Stiel et al.
 5,807,368 A 9/1998 Helmer
 5,830,206 A 11/1998 Larsson
 5,855,574 A 1/1999 Kling et al.
 5,858,515 A 1/1999 Stokes et al.
 5,865,135 A 2/1999 Price et al.
 5,897,545 A 4/1999 Kline et al.
 5,904,802 A 5/1999 Niedermeyer
 5,915,319 A 6/1999 Price et al.
 5,916,203 A 6/1999 Brandon et al.
 5,919,334 A 7/1999 Niedermeyer
 5,997,981 A 12/1999 McCormack et al.
 6,022,431 A 2/2000 Blenke et al.
 6,022,432 A 2/2000 Elsberg et al.
 6,027,440 A 2/2000 Roth
 6,036,805 A 3/2000 McNichols
 6,113,717 A 9/2000 Vogt et al.
 6,240,569 B1 6/2001 Van Gompel et al.
 6,287,287 B1 9/2001 Elsberg
 6,328,725 B2 12/2001 Fernfors
 6,395,115 B1 5/2002 Popp et al.
 6,409,858 B1 6/2002 Popp et al.
 6,432,243 B1 8/2002 Popp et al.
 6,432,248 B1 8/2002 Popp et al.
 6,447,628 B1 9/2002 Couillard et al.
 6,461,344 B1 10/2002 Widlund et al.
 6,481,362 B2 11/2002 Hietpas et al.
 6,497,032 B2 12/2002 Maxton et al.
 6,513,221 B2 2/2003 Vogt et al.
 6,514,187 B2 2/2003 Coenen et al.
 2002/0000291 A1 1/2002 Coenen et al.
 2002/0002358 A1 1/2002 Durrance et al.
 2002/0003021 A1 1/2002 Maxton et al.
 2002/0003022 A1 1/2002 Csida et al.
 2002/0005257 A1 1/2002 Tomsovic et al.
 2002/0173767 A1 11/2002 Popp et al.
 2003/0066592 A1 4/2003 Maxton et al.

FOREIGN PATENT DOCUMENTS

EP 0 320 989 A2 6/1989
 EP 0320989 * 6/1989
 EP 0 532 486 A1 3/1993
 EP 0532486 * 3/1993
 EP 0 631 766 A1 1/1995
 EP 0631766 * 1/1995
 EP 0 689 816 A2 1/1996
 EP 0689816 * 1/1996
 EP 0 753 292 A2 1/1997
 EP 0753292 * 1/1997
 EP 0 761 193 A2 3/1997
 EP 0761193 * 3/1997
 EP 0 800 808 A1 10/1997
 EP 0 803 602 A1 10/1997
 EP 0800808 * 10/1997
 EP 0803602 * 10/1997
 EP 0 820 747 A1 1/1998
 EP 0820747 * 1/1998
 EP 0 757 550 B1 12/1998
 EP 0757550 * 12/1998
 EP 0 934 739 A2 8/1999
 EP 0934739 * 8/1999
 FR 2299254 * 8/1976
 GB 1384622 * 2/1975
 GB 1520740 * 8/1978
 GB 1593600 * 7/1981

(56)

References Cited

FOREIGN PATENT DOCUMENTS

GB 2 160 817 A 1/1986
 GB 2160817 * 1/1986
 GB 2 288 314 A 10/1995
 GB 2288314 * 10/1995
 WO WO 91/19613 * 12/1991
 WO WO 91/19613 A1 12/1991
 WO WO 95/18589 * 7/1995
 WO WO 95/18589 A1 7/1995
 WO WO 95/18591 * 7/1995
 WO WO 95/18591 A2 7/1995
 WO WO 95/27462 * 10/1995
 WO WO 95/27462 A1 10/1995
 WO WO 95/32639 * 12/1995
 WO WO 95/32639 A1 12/1995
 WO WO 95/33618 * 12/1995

WO WO 95/33618 A1 12/1995
 WO WO 97/23180 * 7/1997
 WO WO 97/23180 A1 7/1997
 WO WO 97/24098 7/1997
 WO WO 98/15248 * 4/1998
 WO WO 98/15248 A1 4/1998
 WO WO 99/65441 * 12/1999
 WO WO 99/65441 A1 12/1999
 WO WO 00/23025 * 4/2000
 WO WO 00/23025 A1 4/2000
 WO WO 00/35395 * 6/2000
 WO WO 00/35395 A2 6/2000
 WO WO 00/35398 * 6/2000
 WO WO 00/35398 A1 6/2000
 WO WO 00/37009 * 6/2000
 WO WO 00/37009 A2 6/2000
 WO WO 01/87206 * 11/2001
 WO WO 01/87206 A1 11/2001

* cited by examiner

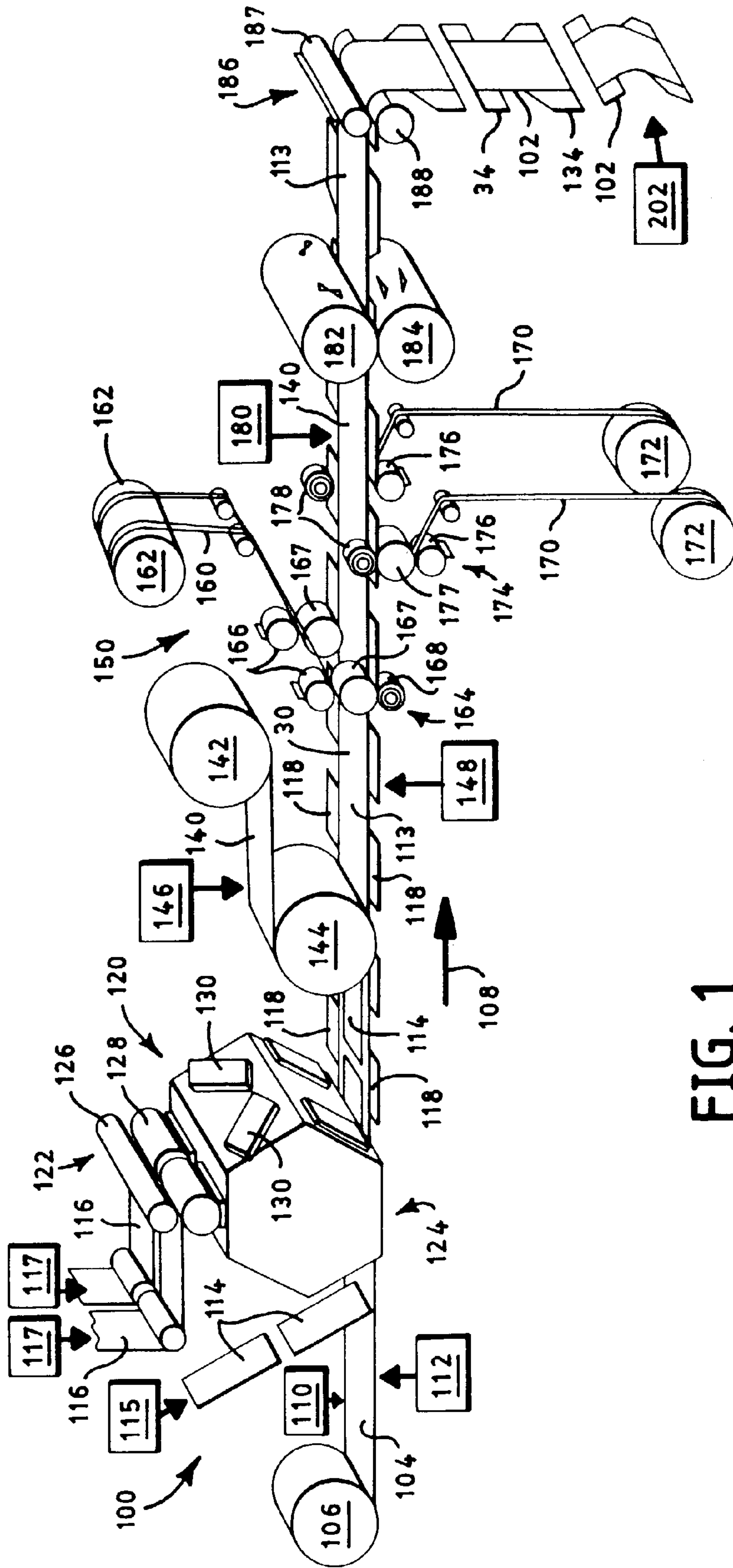


FIG. 1

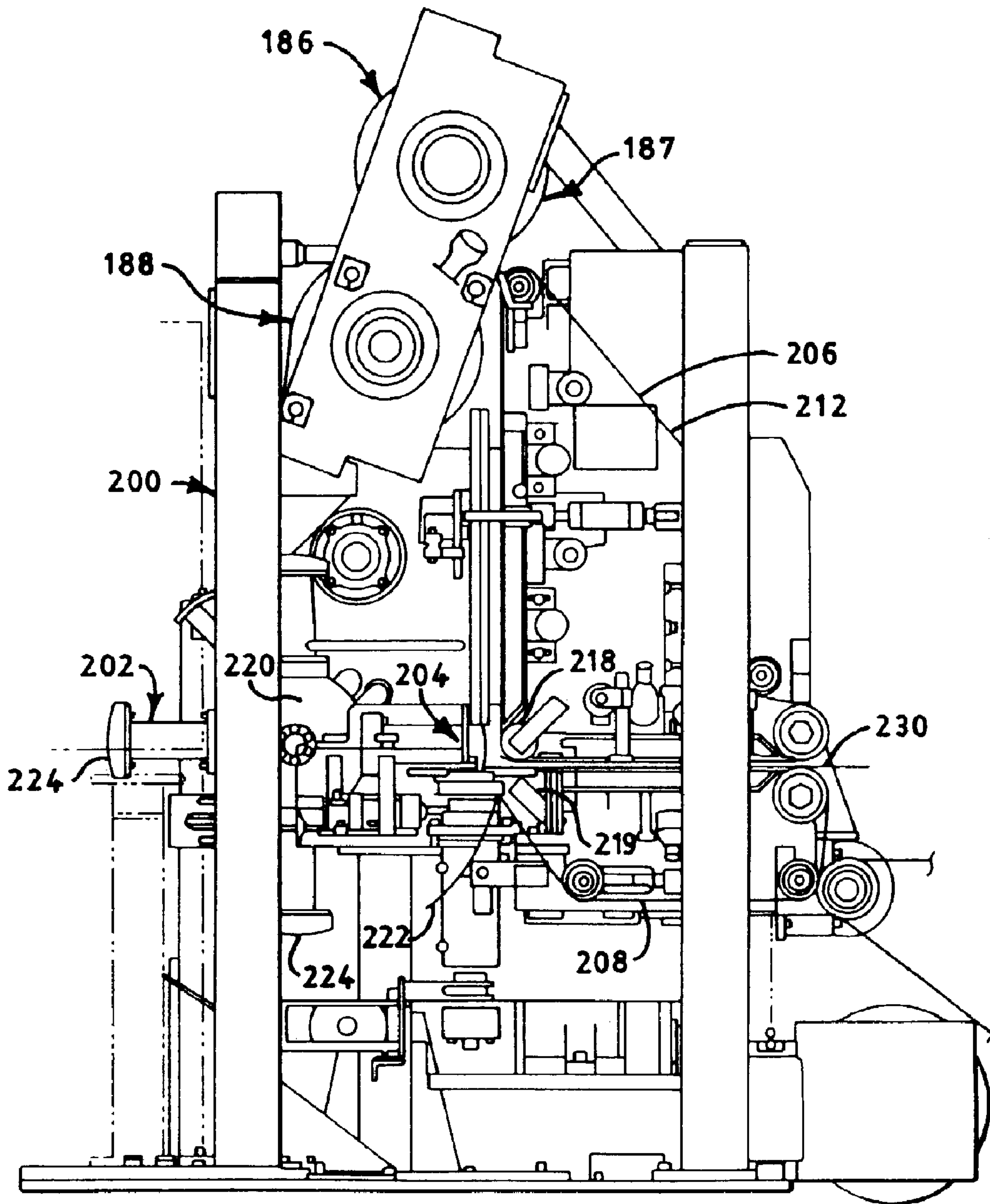


FIG. 2

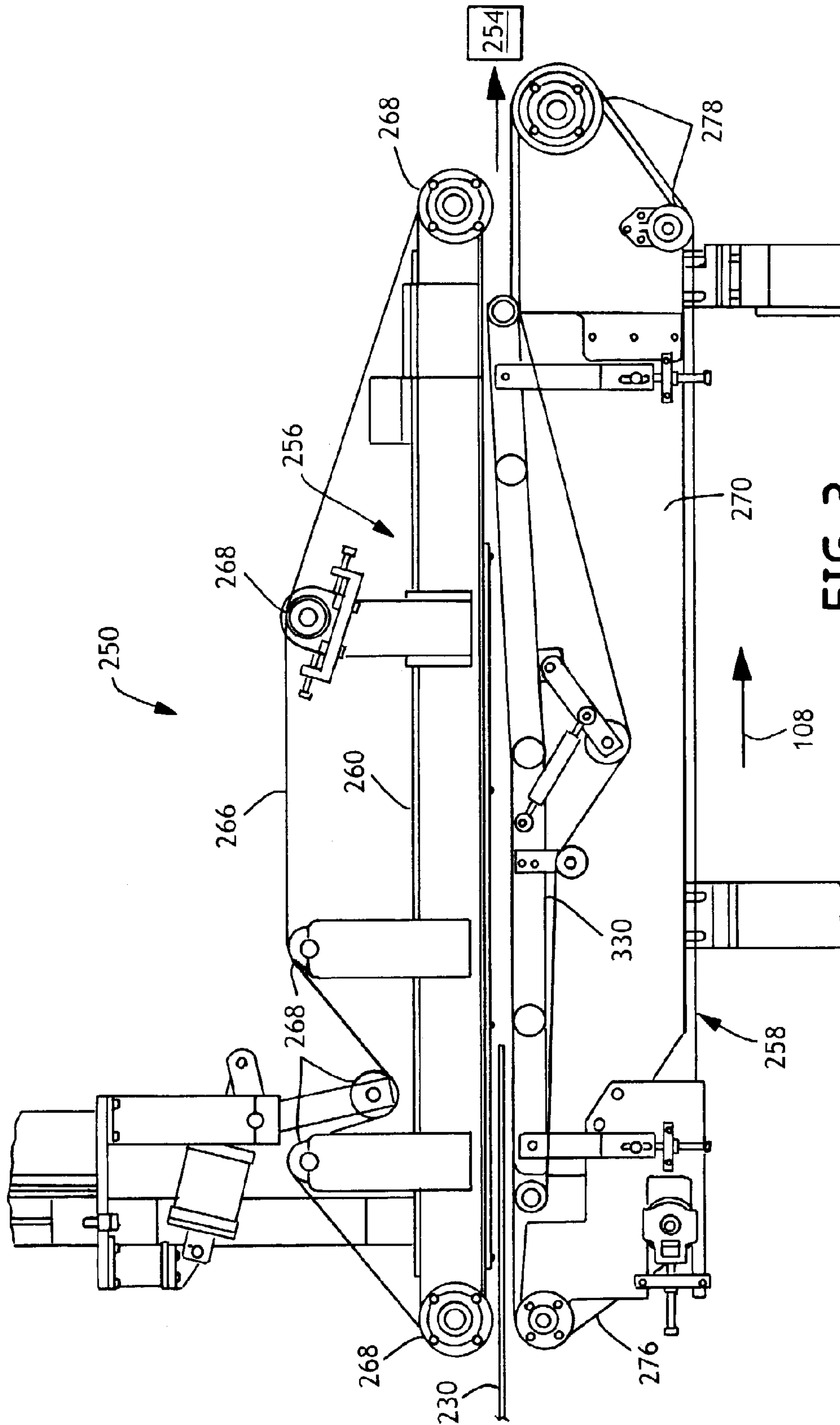


FIG. 3

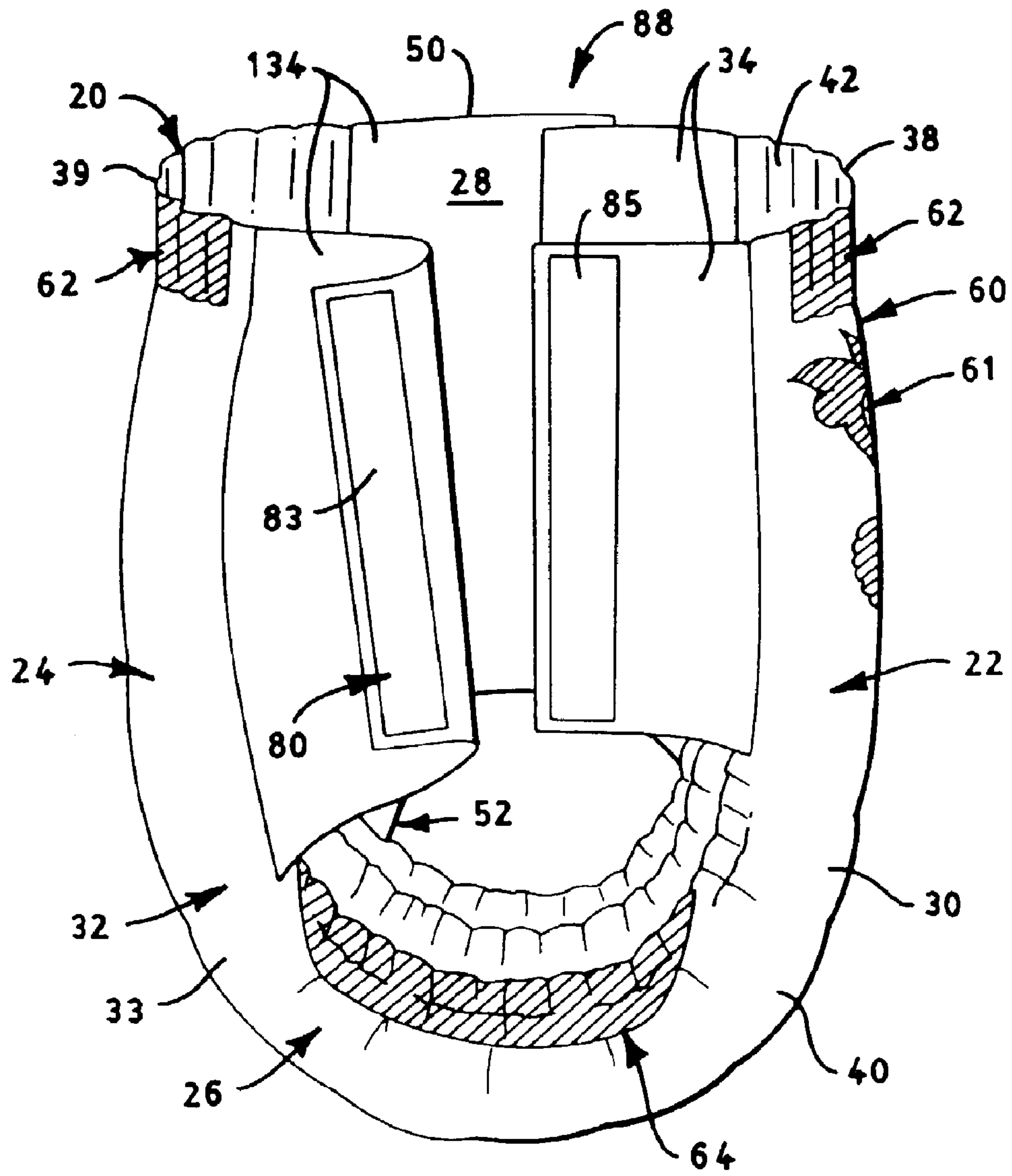


FIG. 4

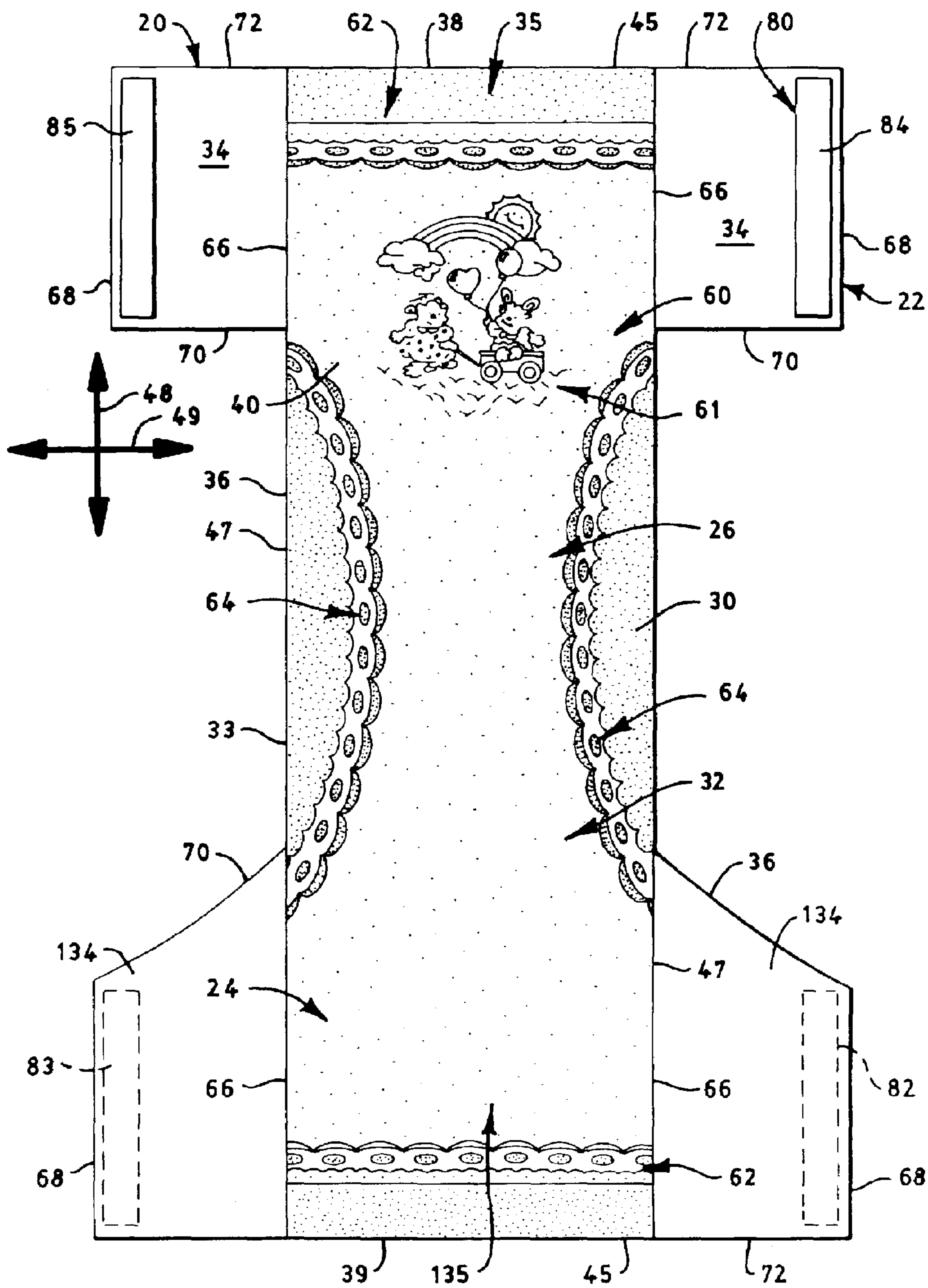


FIG. 5

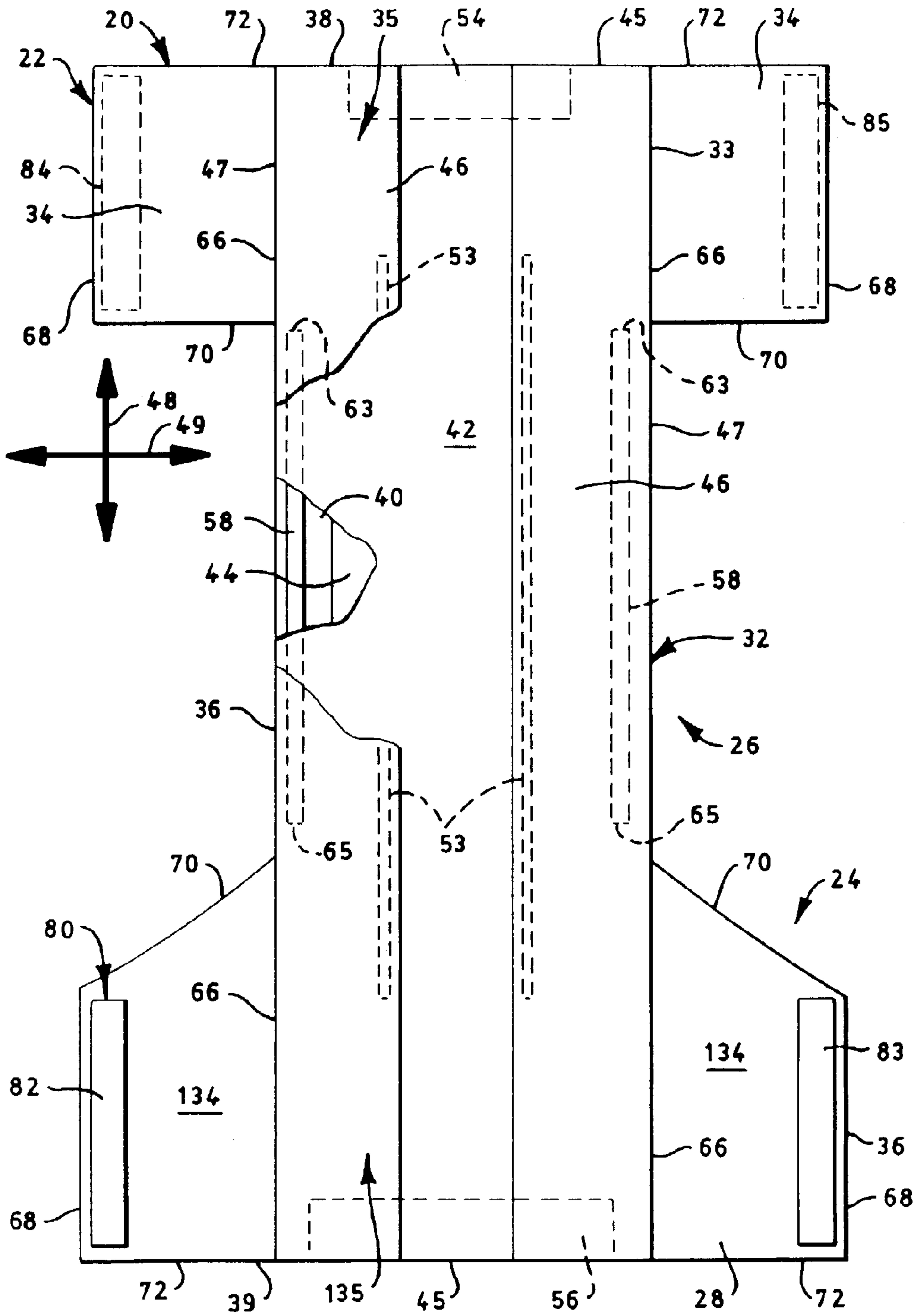


FIG. 6

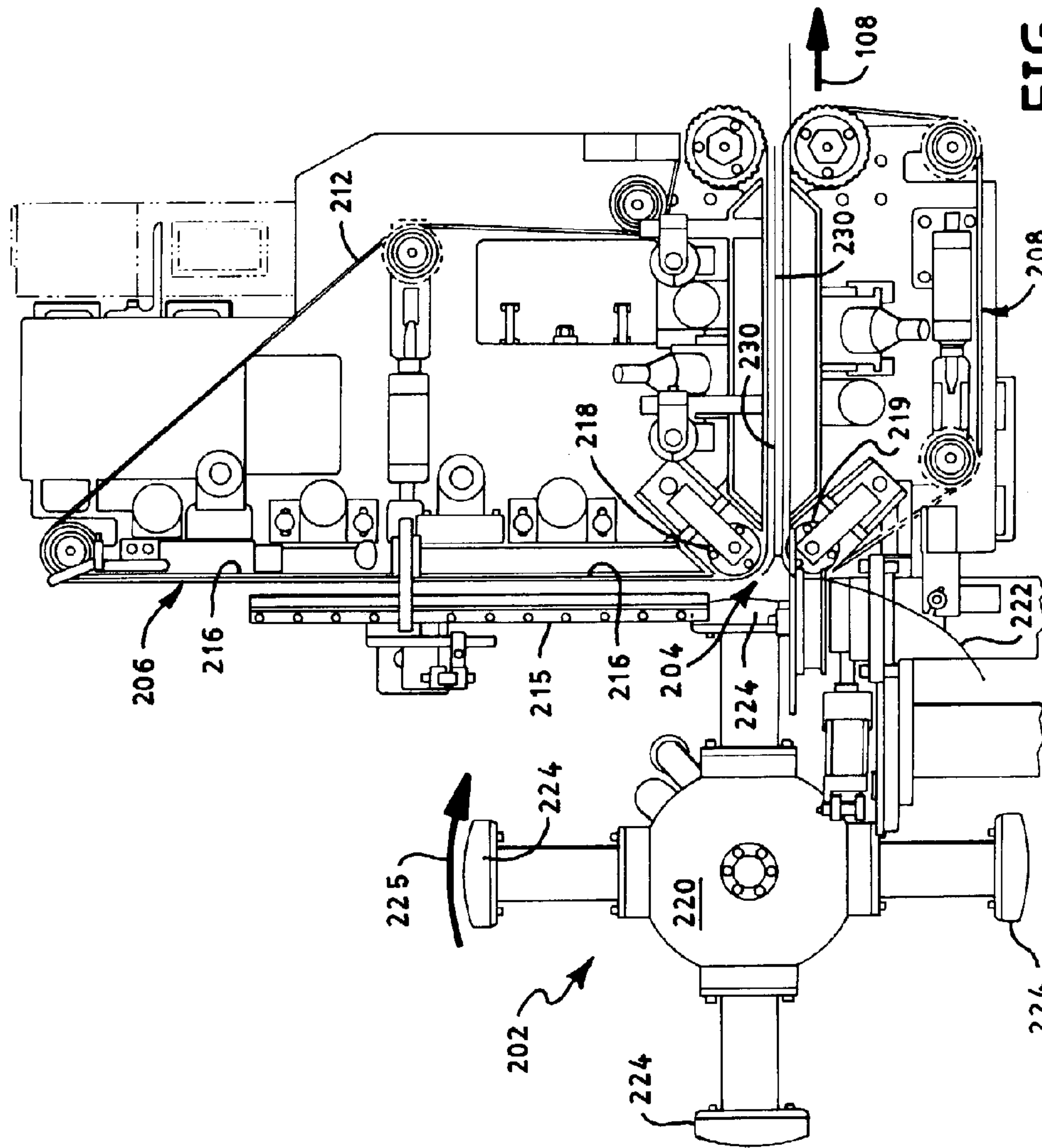


FIG. 8

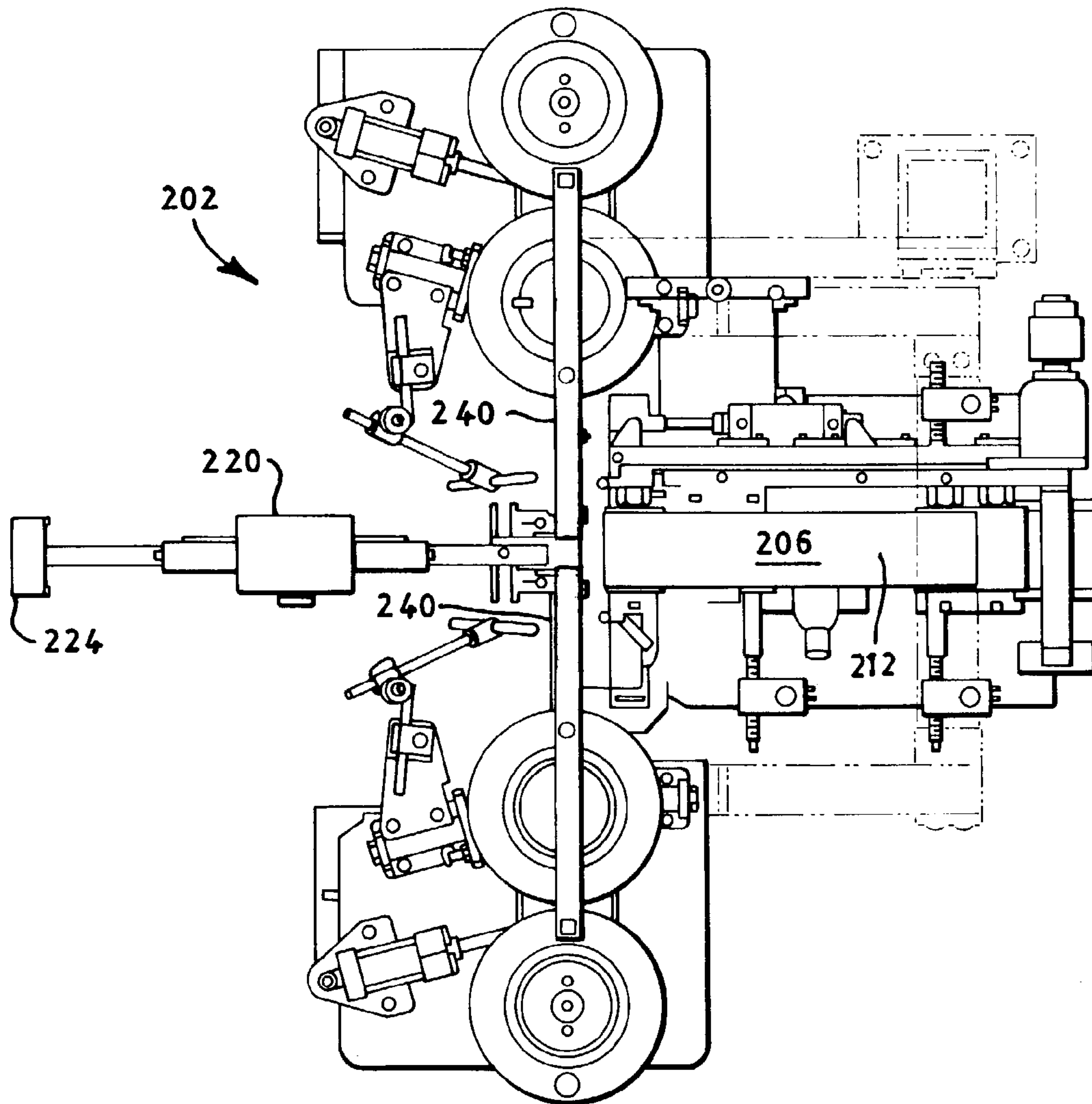


FIG. 9

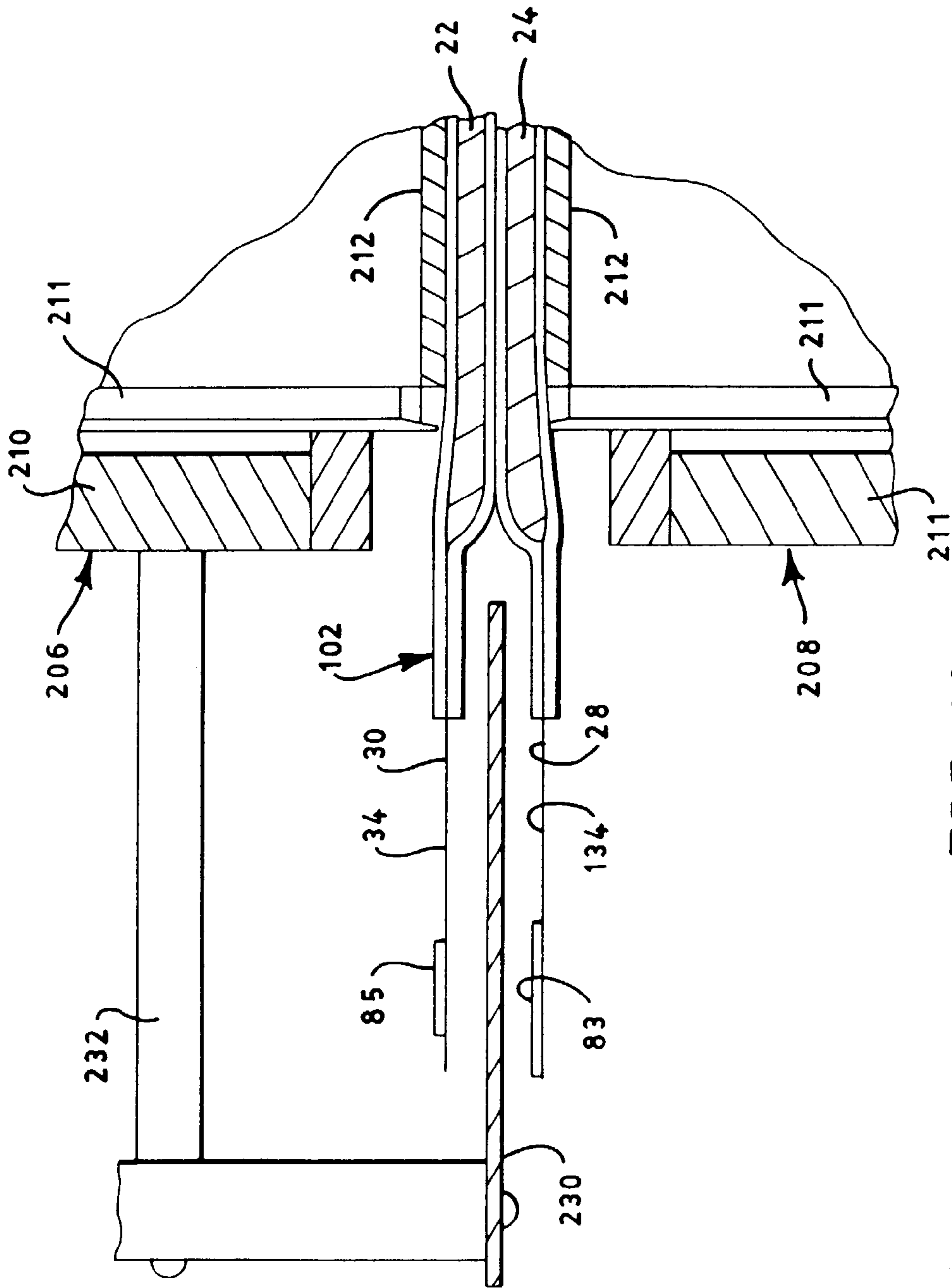


FIG. 10

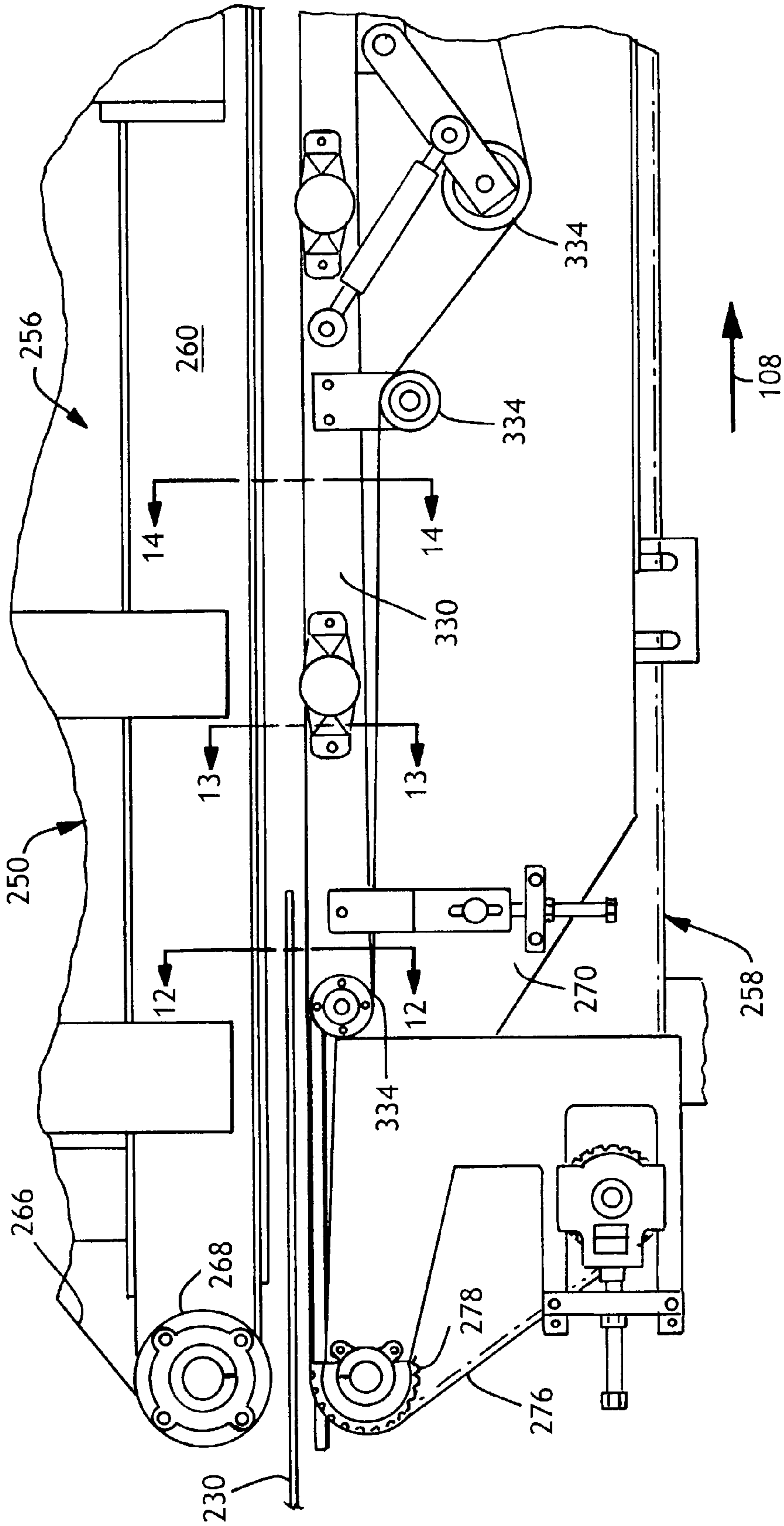


FIG. 11

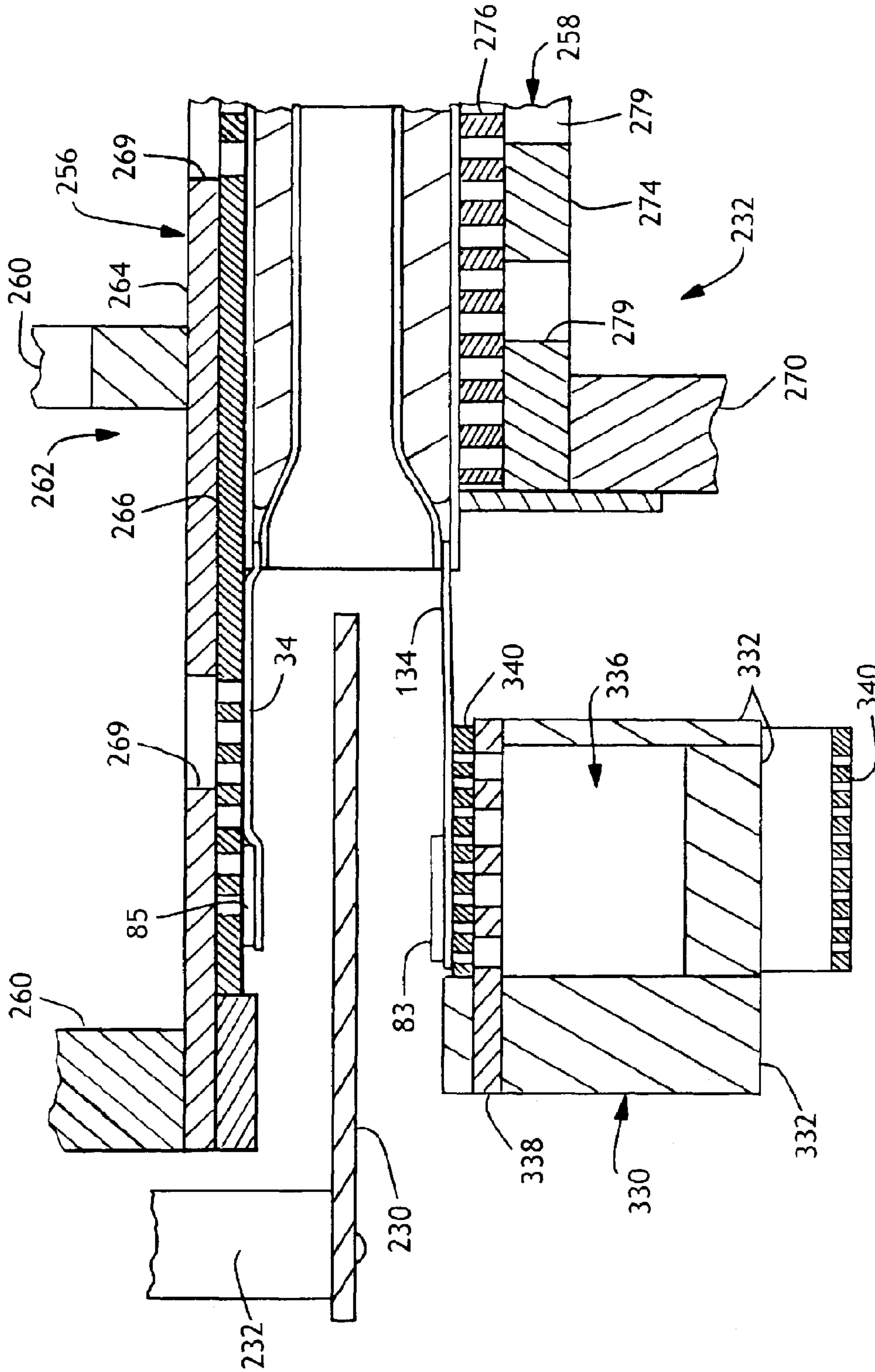


FIG. 12

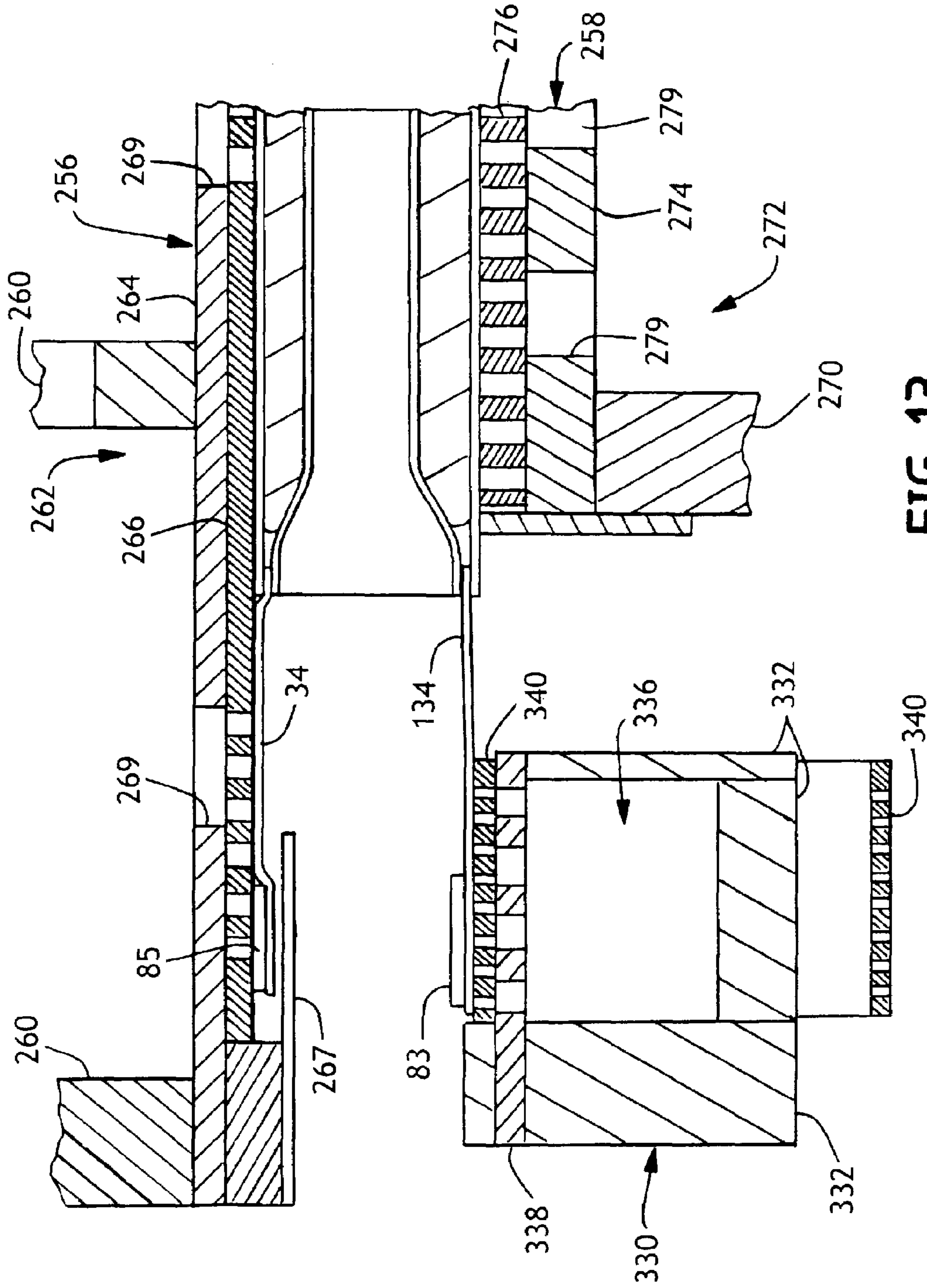


FIG. 13

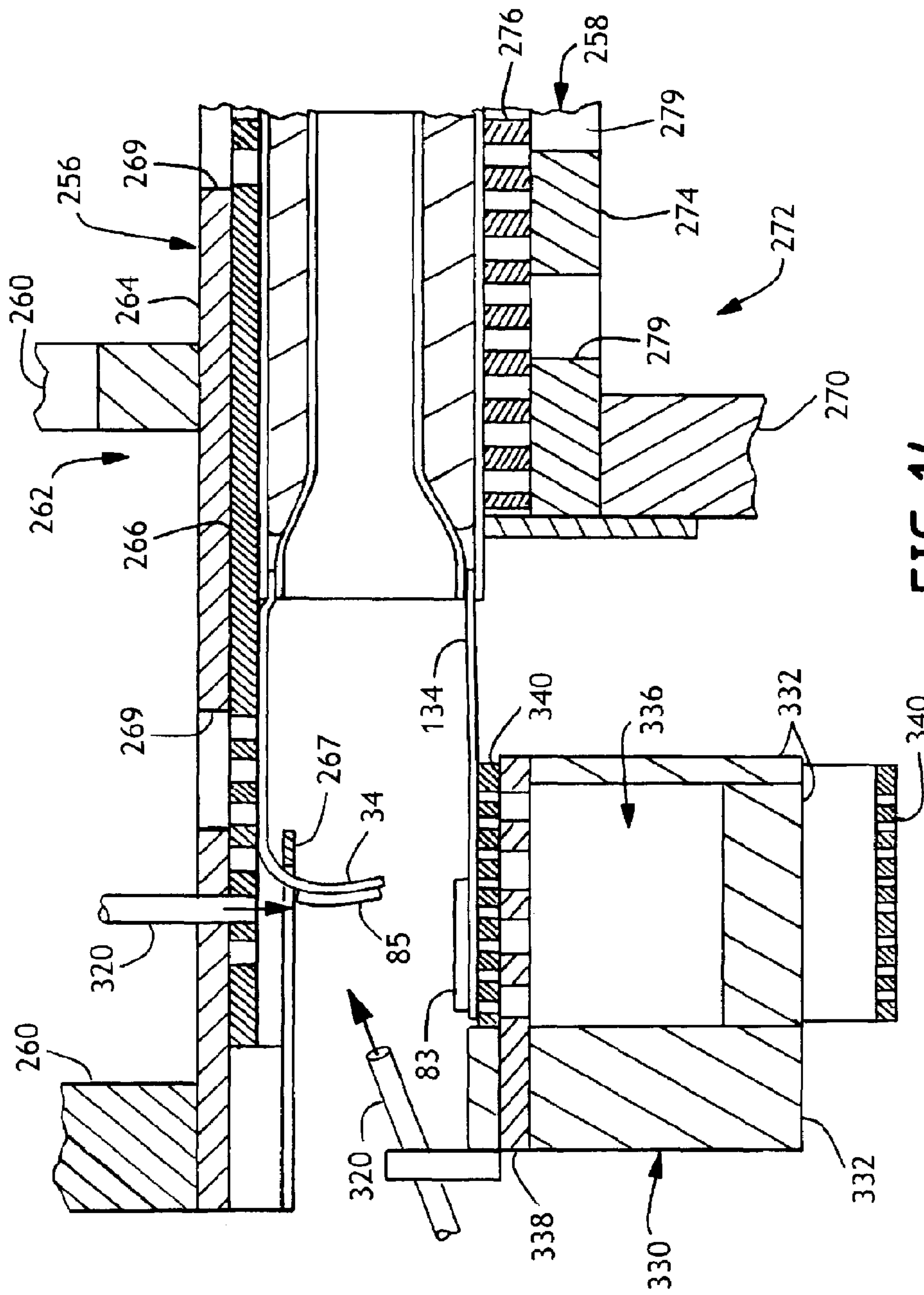


FIG. 14

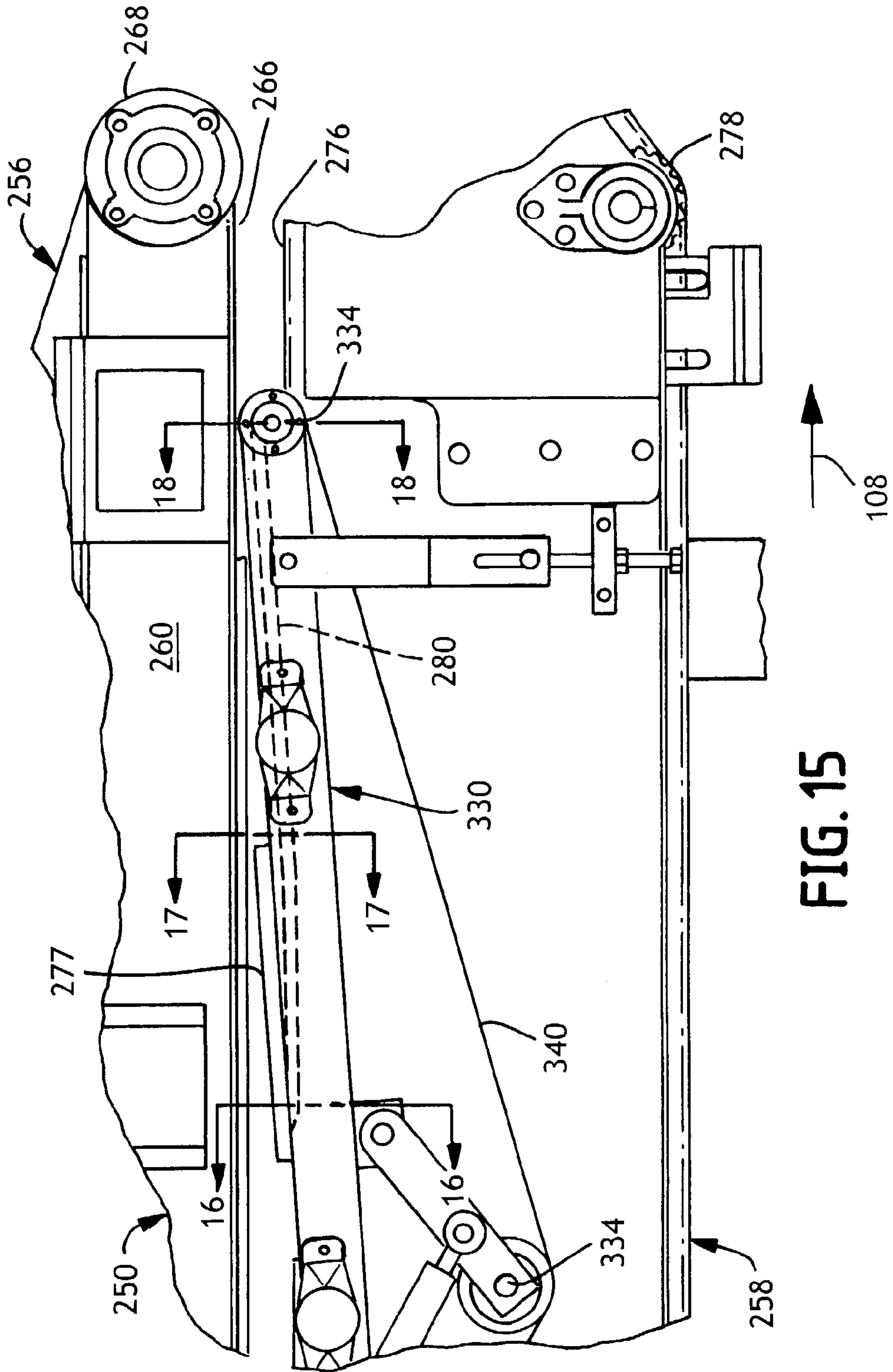


FIG. 15

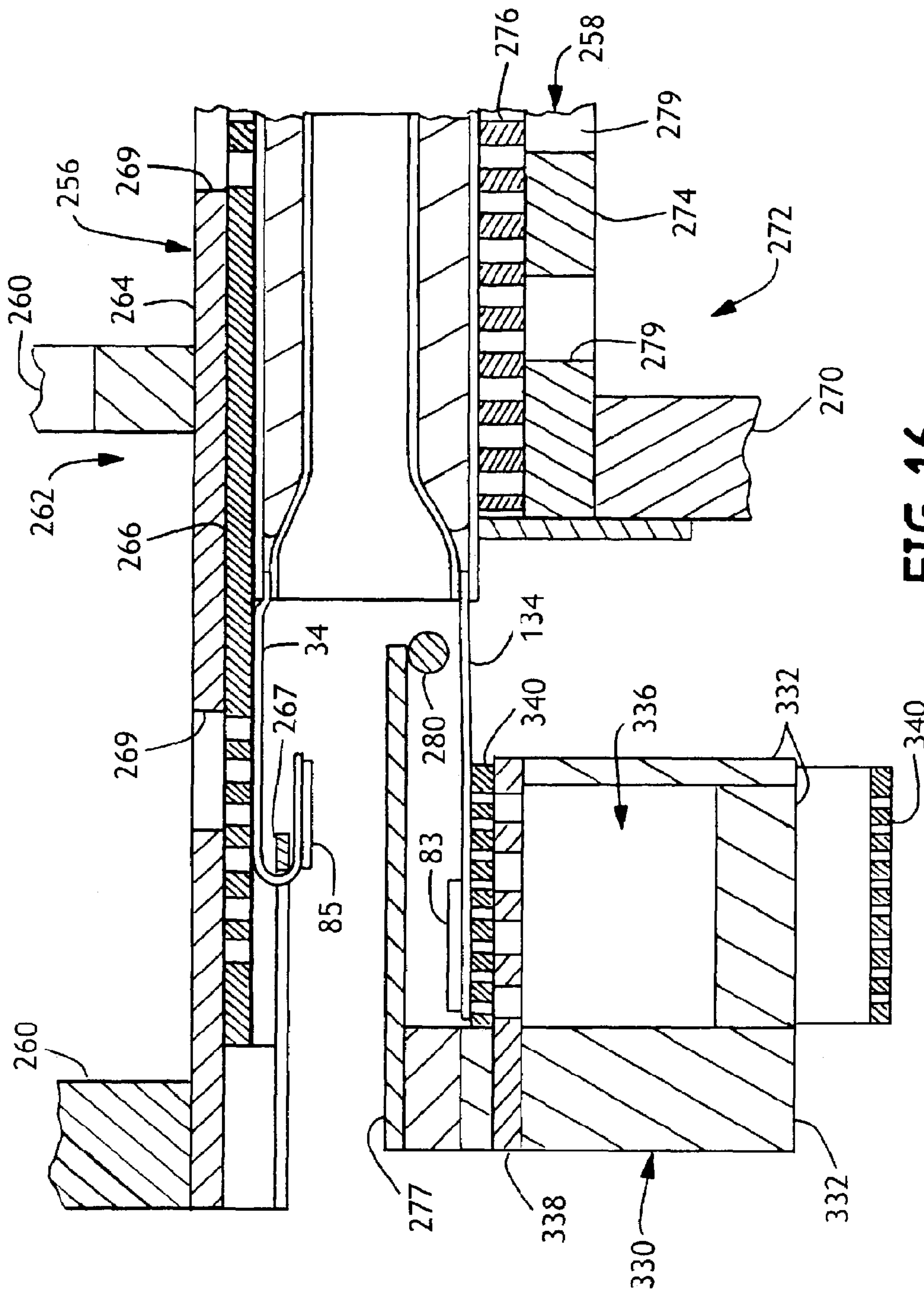


FIG. 16

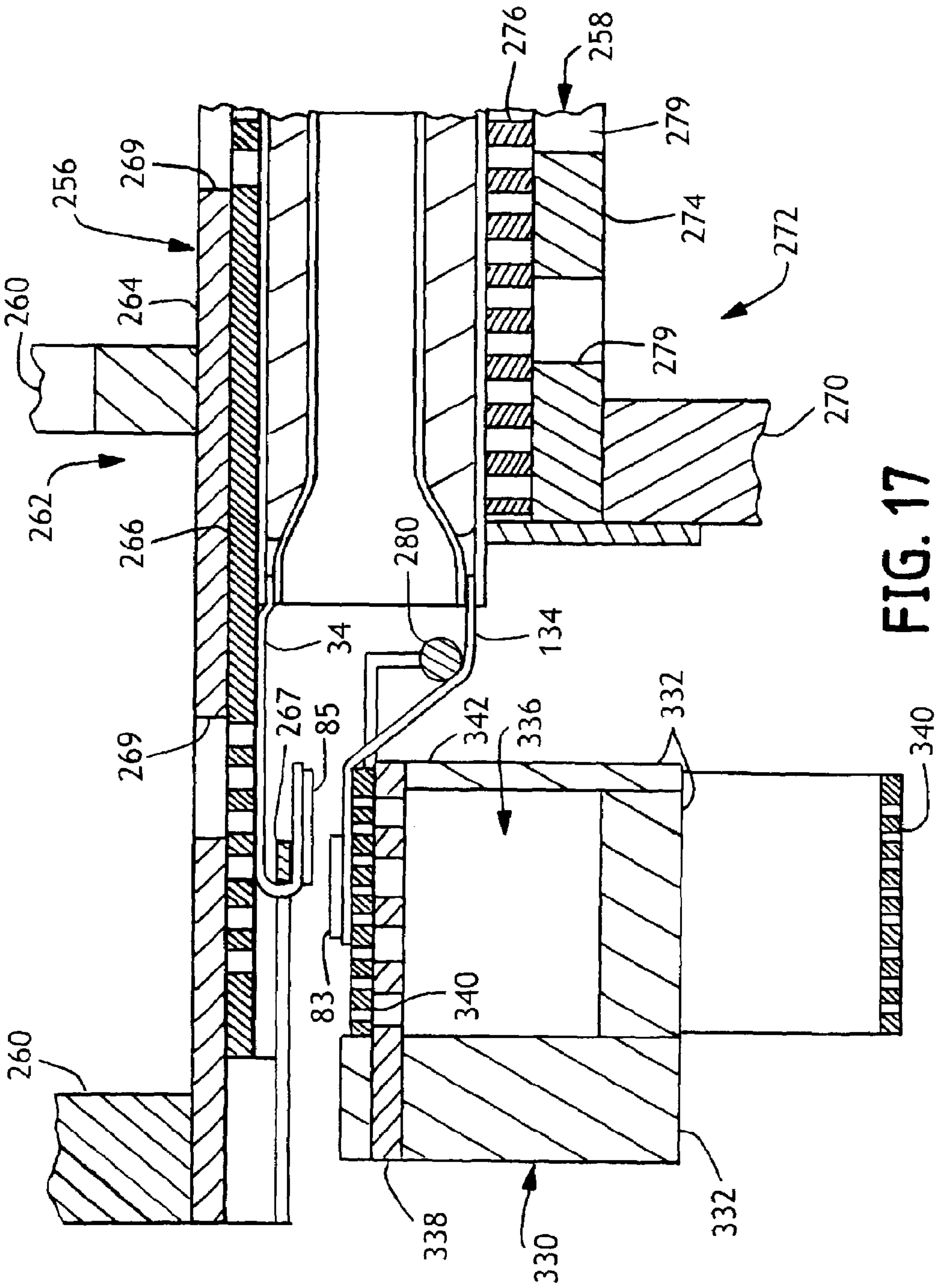


FIG. 17

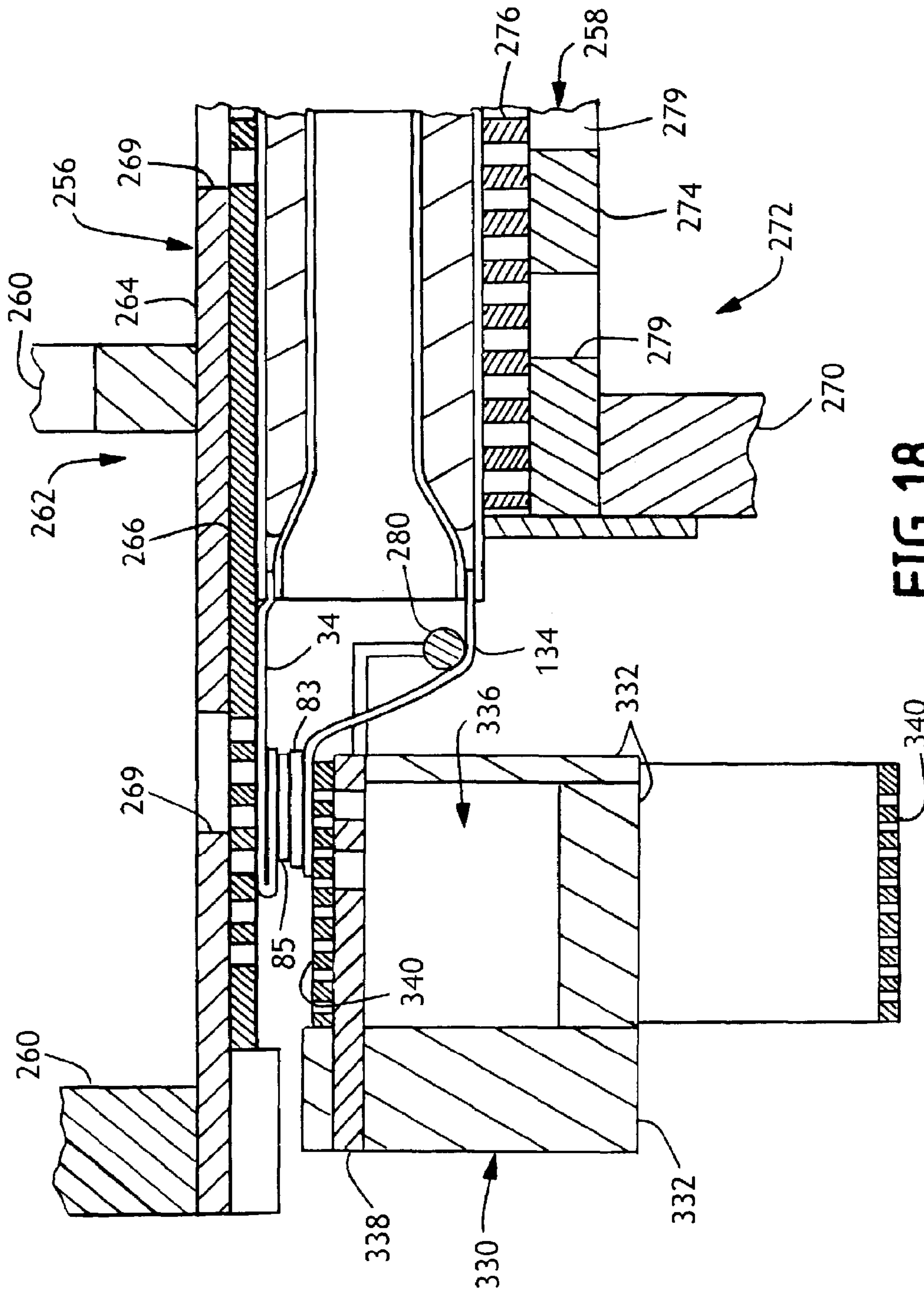
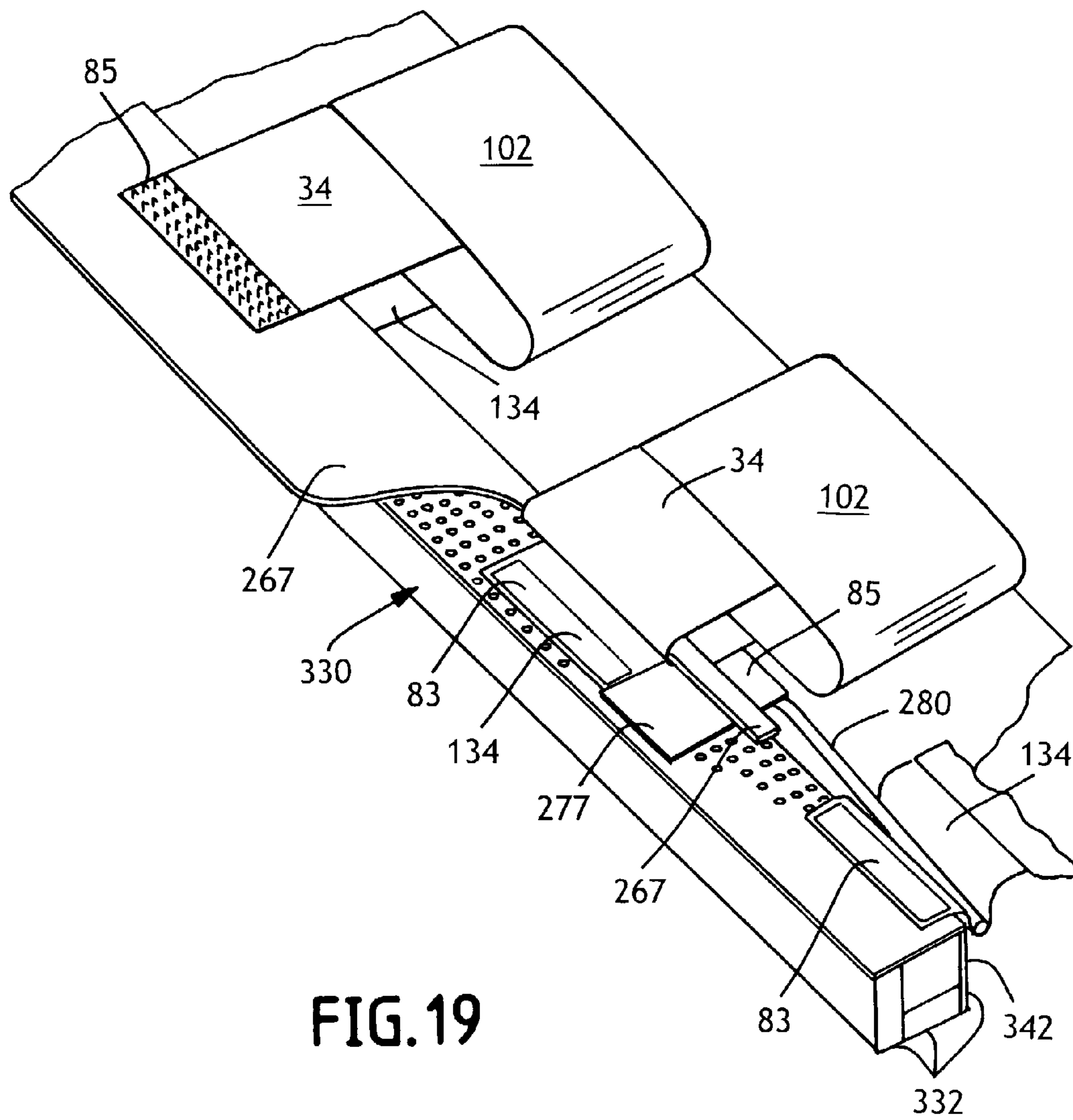


FIG. 18



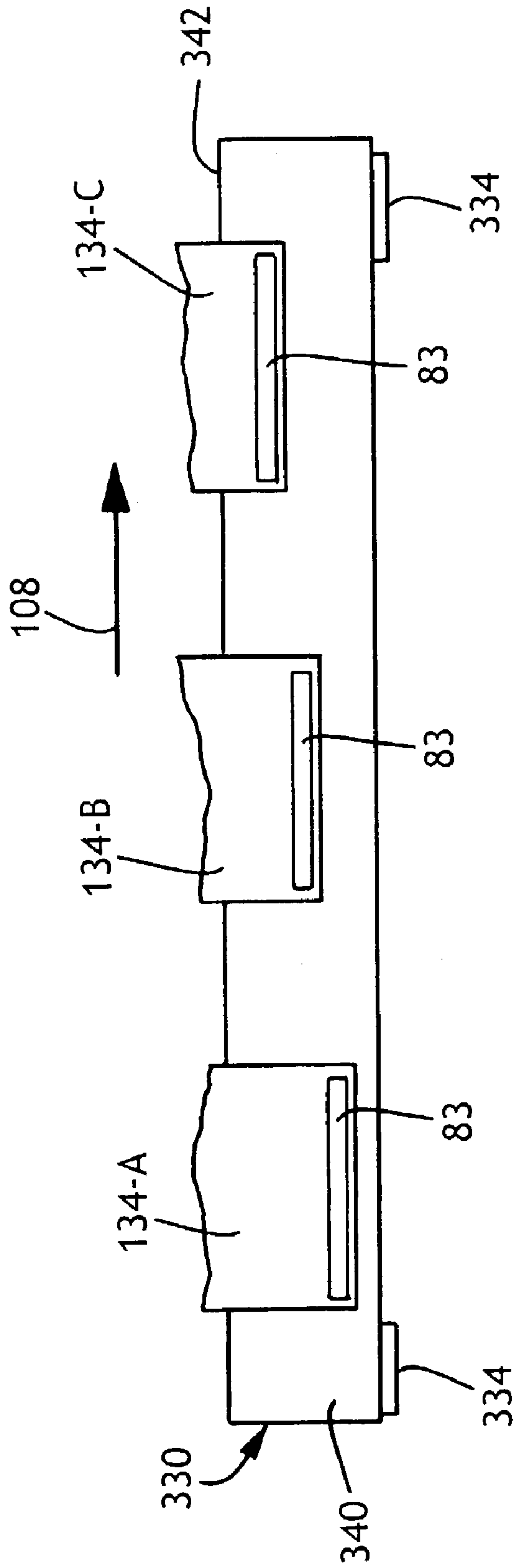


FIG. 20

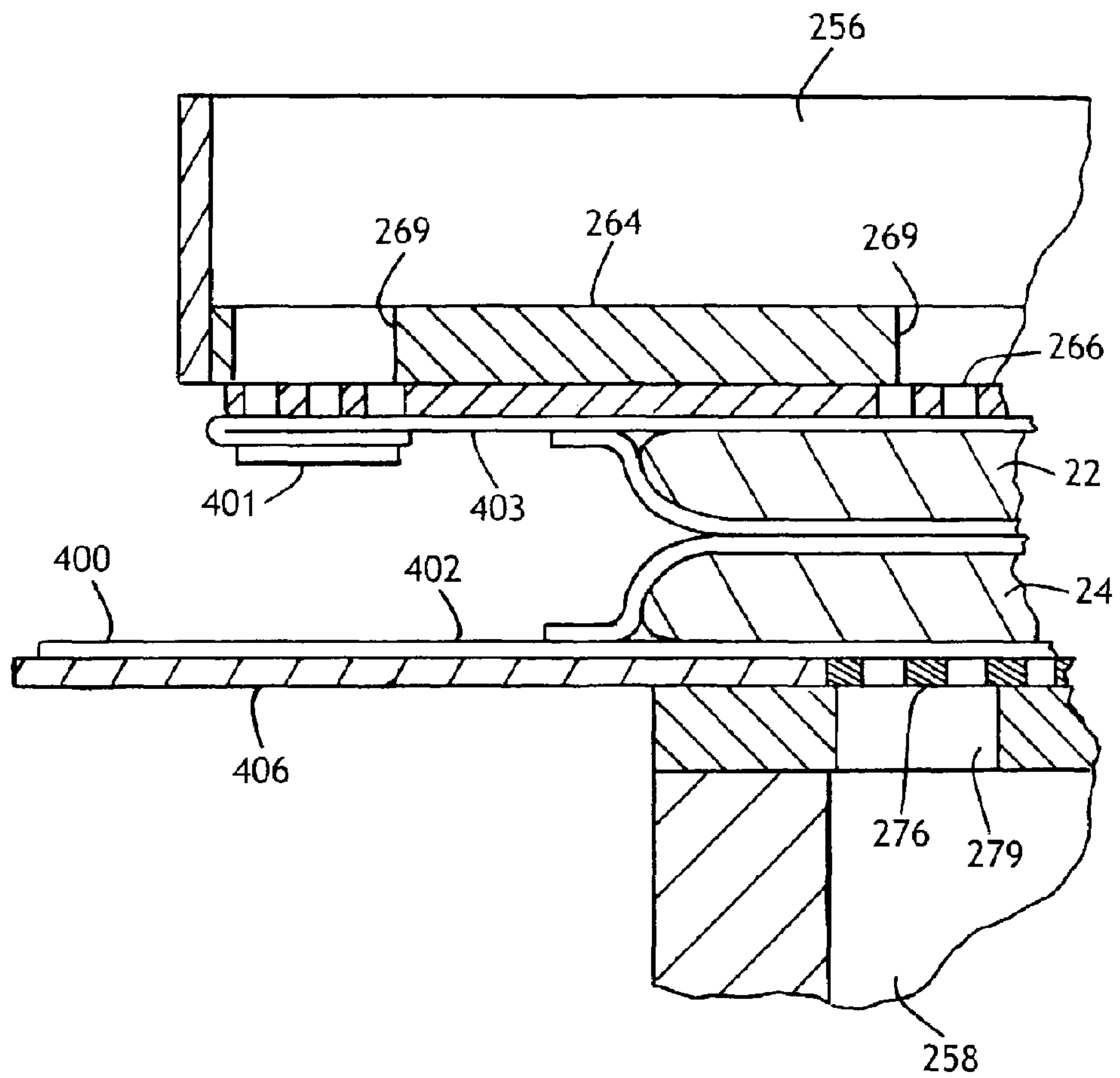


FIG. 21

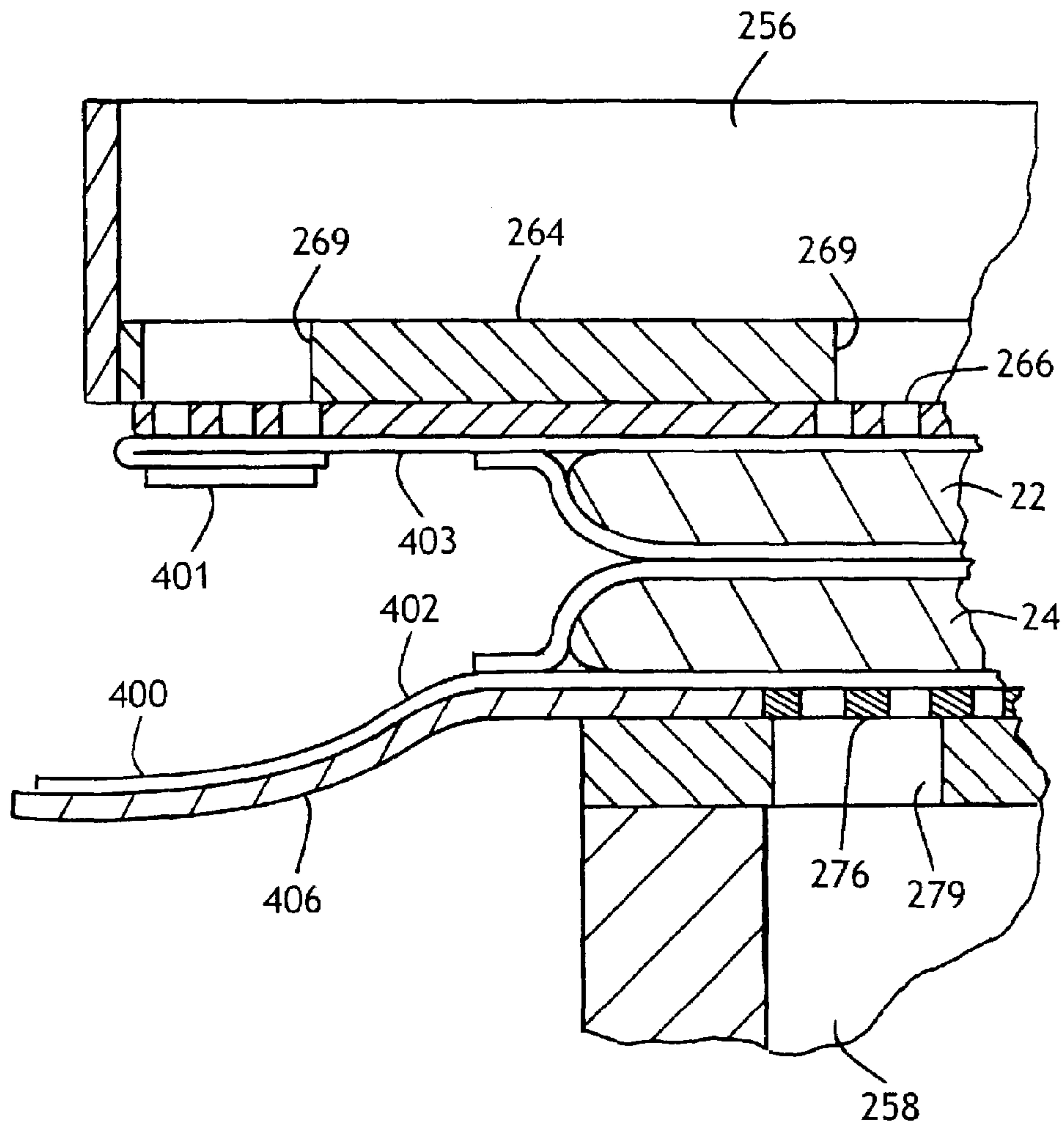


FIG. 22

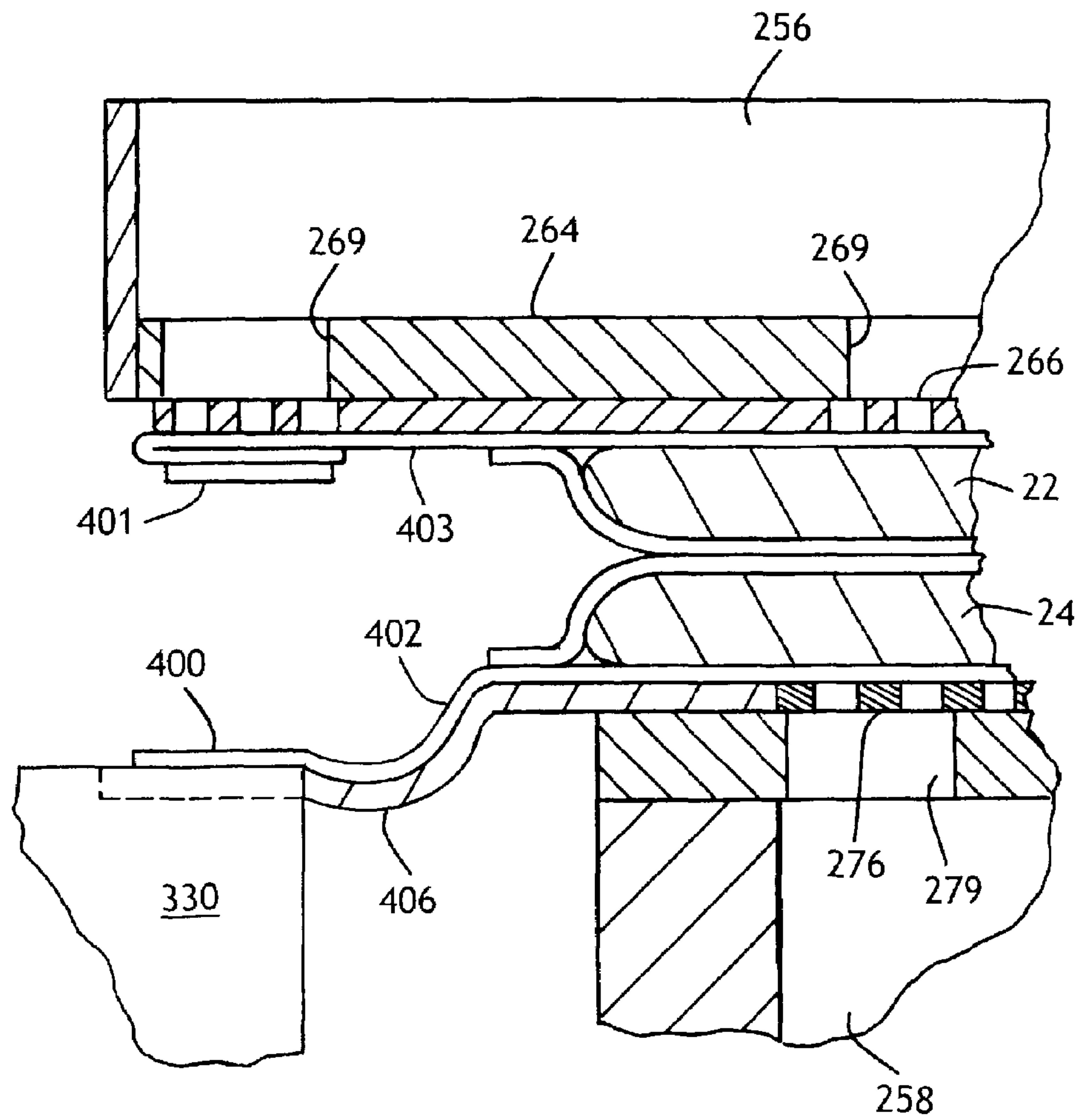


FIG. 23

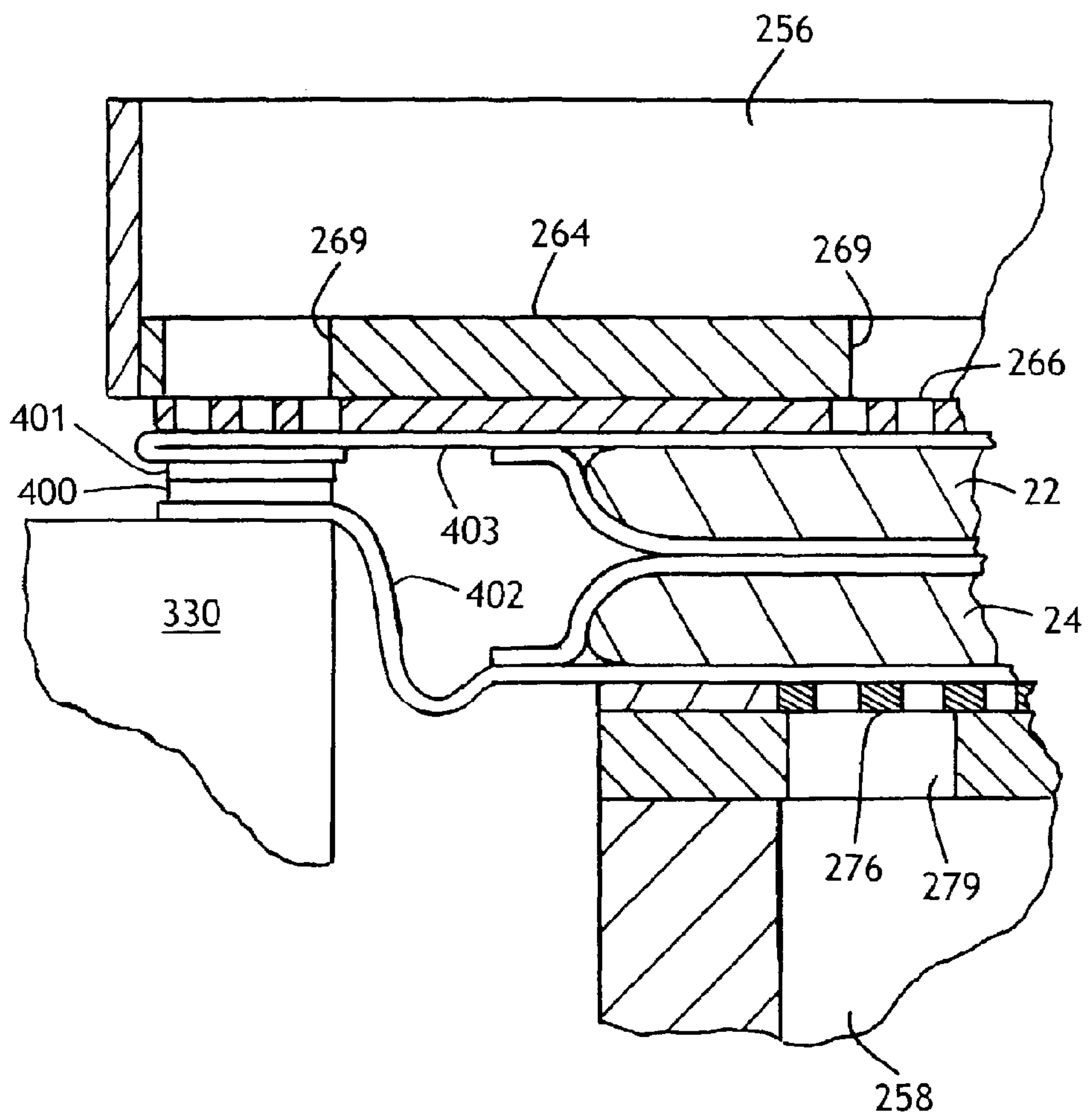


FIG. 24

GARMENT SIDE PANEL CONVEYOR SYSTEM AND METHOD

Matter enclosed in heavy brackets [] appears in the original patent but forms no part of this reissue specification; matter printed in italics indicates the additions made by reissue.

This application is a division of U.S. application Ser. No. 09/858,071 filed May 15, 2001, now U.S. Pat. No. 6,513,221, which claims priority to U.S. provisional application Ser. No. 60/204,486 filed May 16, 2000.

BACKGROUND OF THE INVENTION

The present invention pertains to processes and apparatus for making garments, and more particularly to processes and apparatus for making prefastened and refastenable garments.

Garments such as disposable absorbent garments have numerous applications including diapers, training pants, feminine care products, and adult incontinence products. The typical disposable absorbent garment is formed as a composite structure including an absorbent assembly disposed between a liquid permeable bodyside liner and a liquid impermeable outer cover. These components can be combined with other materials and features such as elastic materials and containment structures to form a product that is specifically suited to its intended purposes.

Manufacturing techniques for making conventional garments are in some respects inadequate for making new product forms, such as prefastened and refastenable garments. Hence, what is lacking and needed in the art are processes and apparatus for making prefastened and refastenable garments, such as disposable absorbent garments.

SUMMARY OF THE INVENTION

In response to the above-referenced unfulfilled need in the art, new processes and apparatus for making prefastened and refastenable garments have been discovered. In one aspect, the invention concerns a method for positioning side panels during manufacture of a pant. The method comprises transporting a pant in a machine direction, thus defining a pant transport plane and a z-direction perpendicular to the pant transport plane. The pant has at least one waist region comprising opposite side panels. The side panels are positioned on side panel transfer devices, where each side panel transfer device defines a side panel transport path which intersects the pant transport plane. According to this method, the side panels move in the z-direction while the pant is transported in the machine direction and the side panels reside on the side panel transfer devices.

The z-direction movement can be useful in many embodiments, but may be particularly useful where the side panels include fastening components and it is desired to move the fastening components closer together in the transverse direction. For instance, the fastening components can be positioned closer together by creating an elevation difference between portions of the waist region containing the fastening components and another portion of the waist region. In particular embodiments, the fastening components can be disposed in the side panels, and the absorbent chassis and/or side panels can be repositioned to create an elevation difference between at least a portion of the absorbent chassis and the side panels.

Hence, in some embodiments for carrying out the method, at least portions of the side panels are allowed to move inwardly toward the machine center line while the pant is transported in the machine direction and the side panels reside on the side panel transfer devices. This inward movement can be useful in preparing the side panels for attachment to the opposite waist region. In other embodiments described in greater detail below, the side panels can be maintained at a constant cross-machine direction position while the pant is transported in the machine direction and the side panels reside on the side panel transfer devices.

In another aspect, the invention concerns a method for making a prefastened and refastenable pant. The method comprises transporting a folded pant in a machine direction, where the folded pant has opposite first and second waist regions in facing relation. The first waist region includes first side panels comprising initially inward-facing fastening components and the second waist region includes second side panels comprising initially outward-facing fastening components. In this embodiment, the initially outward-facing fastening components can be inverted. The method further comprises transporting the first side panels on side panel transfer devices while the folded pant is transported in the machine direction. While the first side panels are being transported on the side panel transfer devices, the initially inward-facing fastening components are moved toward the inverted initially outward-facing fastening components. The initially inward-facing fastening components and inverted initially outward-facing fastening components can then be engaged with one another.

In various embodiments, portions of the first side panels can move inwardly toward a machine center line while the folded pant is transported in the machine direction and the first side panels reside on the side panel transfer devices. In particular embodiments, the first side panels can be moved inwardly such that fastening components disposed on the first side panels are aligned in a cross machine direction with fastening components disposed on the second side panels. This may be useful where the second side panels are folded during the process. For example, the second side panels can comprise initially outward-facing fastening components and the second side panels can be inwardly folded such that the initially outward-facing fastening components are facing inward toward the first side panels.

In particular embodiments, the initially inward-facing fastening components can be separated from one another by an initial distance and the initially outward-facing fastening components can be separated from one another by substantially the same initial distance. In the context of the present invention, the distance between initially inward-facing fastening components and the distance between the initially outward-facing fastening components both refer to the transverse linear distance between the fastening components. "Transverse linear distance" is used herein to refer to the distance between two fastening components, measured in a straight line parallel to the transverse axis of the garment without regard to surface contours of the garment. There may or may not be any force exerted in the transverse direction at the time of measurement.

In another aspect, the invention concerns a method for making a pant. The method comprises providing a pant chassis defining a first waist region, a second waist region, a crotch region which extends between and interconnects the waist regions, first side panels disposed in the first waist region and second side panels disposed in the second waist region. The pant chassis is folded about a fold line extending in a lateral direction through the crotch region, such that the waist

regions and first and second side panels are positioned in a facing relation. The folded pant chassis is transported in a machine direction thus defining a pant transport plane and a z-direction perpendicular to the pant transport plane. The first side panels are transported on side panel transfer devices while the folded pant chassis is transported in the machine direction. Each side panel transfer device defines a side panel transport path which intersects the pant transport plane. The first side panels are moved in the z-direction toward the second side panels while the first side panels are transported on the side panel transfer devices. This allows the first and second side panels to be refastenably engaged.

In another aspect, the invention concerns an apparatus comprising first and second conveyors adapted to transport a stream of discrete, partially assembled and folded pants sandwiched between the conveyors in a machine direction. The conveyors define a machine center line and a pant transport plane. Side panel transfer devices are disposed transversely outward from the machine center line, and each side panel transfer device defines a side panel transport path which intersects the pant transport plane.

The side panel transfer devices can be angled toward the pant transport plane at downstream machine direction locations. In this case, the side panel transfer devices can come together with one of the conveyors to define a nip therebetween. Alternatively, the side panel transfer devices can be angled away from the pant transport plane at downstream machine direction locations.

The processes and apparatus described herein can be useful in making a wide variety of garments. The waist regions of such garments can have the same transverse width dimensions or have different width dimension. Moreover, the processes and apparatus can be applied to one or both waist regions. Accordingly, the term "first waist region" can correspond to either the front or the back waist region.

The garment can be folded in half through the crotch region by a variety of mechanisms. It may be desirable to maintain separation of the side panels and separation of the fastening components while the product is folded in half. The fastening components can be engaged simultaneously or sequentially with folding of the pant.

The fastening components can comprise separate elements bonded to another component of the pant. Alternatively, the fastening components can comprise a portion of another element of the pant, such as the bodyside liner, the outer cover, separate side panels if employed, integral side panels if employed, a belt-type component extending transversely across the chassis if employed, or the like. Thus, unless otherwise specified, the term "fastening component" includes both separate components which function as fasteners and regions of materials such as side panels, liners, outer covers or the like which function as fasteners. Moreover, a single material can define multiple fastening components to the extent that different regions of the material function as separate fasteners. The fastening components can be located on the side panels, between the side panels such as on the absorbent chassis, or a combination of the two. The fastening components can have any desired shape, such as square, rectangular, round, curved, oval, irregularly shaped, or the like. Each fastening component can comprise a single fastening element or multiple fastening elements.

The fastening components can comprise any refastenably fasteners suitable for absorbent articles, such as adhesive fasteners, cohesive fasteners, mechanical fasteners, or the like. In particular embodiments the fastening components comprise mechanical fastening elements for improved performance. Suitable mechanical fastening elements can be

provided by interlocking geometric shaped materials, such as hooks, loops, bulbs, mushrooms, arrowheads, balls on stems, male and female mating components, buckles, snaps, or the like. In particular embodiments, the fastening components and mating fastening components comprise hook-and-loop fastening elements. One skilled in the art will recognize that the shape, density and polymer composition of the hooks and loops may be selected to obtain the desired level of securement between the fastening components and the mating fastening components. A more aggressive hook material may comprise a material with a greater average hook height, a greater percentage of directionally-aligned hooks, or a more aggressive hook shape.

A refastenably fastening system allows for easy inspection of the interior of the pant-like product. If necessary, the fastening system also allows the pant to be removed quickly and easily. This is particularly beneficial when the pant contains messy excrement. For training pants, the caregiver can completely remove the pant-like product and replace it with a new one without having to remove the child's shoes and clothing.

The present invention can be used in the manufacture of a wide variety of absorbent and non-absorbent products, including training pants, swim pants, diaper pants, incontinence garments, feminine care products, health care garments, apparel for institutional, industrial and consumer use, or other garments. Absorbent articles are adapted to be worn adjacent to the body of a wearer to absorb and contain various exudates discharged from the body. The absorbent articles can be prefastened to provide a pant-like product for the user. The product can then be pulled on like a conventional training pant, and subsequently checked or removed with the ease of a diaper-like product. Moreover, the product may be applied like a diaper rather than like a pant. Supplemental releasable fastening means such as frangible point bonds may be employed to maintain the absorbent article in a pant configuration until the user intentionally disengages the fasteners.

Particular training pants suitable for use with the present invention are disclosed in U.S. patent application Ser. No. 09/444,083, filed on Nov. 22, 1999 (corresponding to PCT application WO 00/37009 published Jun. 29, 2000) by A. Fletcher et al. and titled "Absorbent Articles With Refastenably Side Seams;" which is incorporated herein by reference. This reference describes various materials and methods for constructing training pants. Training pants can also be constructed using the methods and apparatus disclosed in U.S. Pat. No. 4,940,464 issued Jul. 10, 1990 to Van Gompel et al.; and U.S. Pat. No. 5,766,389 issued Jun. 16, 1998 to Brandon et al.; which are also incorporated herein by reference.

DEFINITIONS

Within the context of this specification, each term or phrase below will include the following meaning or meanings.

"Bonded" refers to the joining, adhering, connecting, attaching, or the like, of two elements. Two elements will be considered to be bonded together when they are bonded directly to one another or indirectly to one another, such as when each is directly bonded to intermediate elements.

"Comprising" is inclusive or open-ended and does not exclude additional, unrecited elements or method steps.

"Connected" refers to the joining, adhering, bonding, attaching, or the like, of two elements. Two elements will be considered to be connected together when they are connected directly to one another or indirectly to one another, such as when each is directly connected to intermediate elements.

“Disposable” refers to articles which are designed to be discarded after a limited use rather than being laundered or otherwise restored for reuse.

“Disposed,” “disposed on,” and variations thereof are intended to mean that one element can be integral with another element, or that one element can be a separate structure bonded to or placed with or placed near another element.

“Elastic,” “elasticized” and “elasticity” mean that property of a material or composite by virtue of which it tends to recover its original size and shape after removal of a force causing a deformation.

“Elastomeric” refers to a material or composite which can be elongated by at least 25 percent of its relaxed length and which will recover, upon release of the applied force, at least 10 percent of its elongation. It is generally preferred that the elastomeric material or composite be capable of being elongated by at least 100 percent, more preferably by at least 300 percent, of its relaxed length and recover, upon release of an applied force, at least 50 percent of its elongation.

“Fabrics” is used to refer to all of the woven, knitted and nonwoven fibrous webs.

“Flexible” refers to materials which are compliant and which will readily conform to the general shape and contours of the wearer’s body.

“Force” includes a physical influence exerted by one body on another which produces acceleration of bodies that are free to move and deformation of bodies that are not free to move. Force is expressed in grams per unit area.

“Graphic” refers to any design, pattern, or the like that is visible on an absorbent article.

“Hydrophilic” describes fibers or the surfaces of fibers which are wetted by the aqueous liquids in contact with the fibers. The degree of wetting of the materials can, in turn, be described in terms of the contact angles and the surface tensions of the liquids and materials involved. Equipment and techniques suitable for measuring the wettability of particular fiber materials or blends of fiber materials can be provided by a Calm SFA-222 Surface Force Analyzer System, or a substantially equivalent system. When measured with this system, fibers having contact angles less than 90° are designated “wetable” or hydrophilic, while fibers having contact angles greater than 90° are designated “nonwetable” or hydrophobic.

“Integral” is used to refer to various portions of a single unitary element rather than separate structures bonded to or placed with or placed near one another.

“Inward” and “outward” refer to positions relative to the center of an absorbent article, and particularly transversely and/or longitudinally closer to or away from the longitudinal and transverse center of the absorbent article.

“Layer” when used in the singular can have the dual meaning of a single element or a plurality of elements.

“Liquid impermeable”, when used in describing a layer or multi-layer laminate, means that a liquid, such as urine, will not pass through the layer or laminate, under ordinary use conditions, in a direction generally perpendicular to the plane of the layer or laminate at the point of liquid contact. Liquid, or urine, may spread or be transported parallel to the plane of the liquid impermeable layer or laminate, but this is not considered to be within the meaning of “liquid impermeable” when used herein.

“Longitudinal” and “transverse” have their customary meaning. The longitudinal axis lies in the plane of the article and is generally parallel to a vertical plane that bisects a standing wearer into left and right body halves when the article is worn. The transverse axis lies in the plane of the article generally perpendicular to the longitudinal axis. The

article as illustrated is longer in the longitudinal direction than in the transverse direction.

“Member” when used in the singular can have the dual meaning of a single element or a plurality of elements.

“Nonwoven” and “nonwoven web” refer to materials and webs of material which are formed without the aid of a textile weaving or knitting process.

“Operatively joined,” with reference to the attachment of an elastic member to another element, means that the elastic member when attached to or connected to the element, or treated with heat or chemicals, by stretching, or the like, gives the element elastic properties; and with reference to the attachment of a non-elastic member to another element, means that the member and element can be attached in any suitable manner that permits or allows them to perform the intended or described function of the joinder. The joining, attaching, connecting or the like can be either directly, such as joining either member directly to an element, or can be indirectly by means of another member disposed between the first member and the first element.

“Outer cover graphic” refers to a graphic that is directly visible upon inspection of the exterior surface of a garment, and for a refastenable garment is in reference to inspection of the exterior surface of the garment when the fastening system is engaged as it would be during use.

“Permanently bonded” refers to the joining, adhering, connecting, attaching, or the like, of two elements of an absorbent garment such that the elements tend to be and remain bonded during normal use conditions of the absorbent garment.

“Refastenable” refers to the property of two elements being capable of releasable attachment, separation, and subsequent releasable reattachment without substantial permanent deformation or rupture.

“Releasably attached,” “releasably engaged” and variations thereof refer to two elements being connected or connectable such that the elements tend to remain connected absent a separation force applied to one or both of the elements, and the elements being capable of separation without substantial permanent deformation or rupture. The required separation force is typically beyond that encountered while wearing the absorbent garment.

“Rupture” means the breaking or tearing apart of a material; in tensile testing, the term refers to the total separation of a material into two parts either all at once or in stages, or the development of a hole in some materials.

“Stretch bonded” refers to an elastic member being bonded to another member while the elastic member is extended at least about 25 percent of its relaxed length. Desirably, the term “stretch bonded” refers to the situation wherein the elastic member is extended at least about 100 percent, and more desirably at least about 300 percent, of its relaxed length when it is bonded to the other member.

“Stretch bonded laminate” refers to a composite material having at least two layers in which one layer is a gatherable layer and the other layer is an elastic layer. The layers are joined together when the elastic layer is in an extended condition so that upon relaxing the layers, the gatherable layer is gathered.

“Surface” includes any layer, film, woven, nonwoven, laminate, composite, or the like, whether pervious or impervious to air, gas, and/or liquids.

“Tension” includes a uniaxial force tending to cause the extension of a body or the balancing force within that body resisting the extension.

“Thermoplastic” describes a material that softens when exposed to heat and which substantially returns to a nonsoftened condition when cooled to room temperature.

These terms may be defined with additional language in the remaining portions of the specification.

BRIEF DESCRIPTION OF THE DRAWINGS

The above-mentioned and other features of the present invention and the manner of attaining them will become more apparent, and the invention itself will be better understood by reference to the following description and the accompanying drawings, wherein similar features in different figures have been given the same reference numeral.

FIG. 1 is a schematic view of an exemplary embodiment of an assembly section for making garments such as training pants.

FIG. 2 is a schematic side view of an exemplary embodiment of a folding section for making garments such as training pants, the folding section following the assembly section shown in FIG. 1.

FIG. 3 is a schematic side view of one embodiment of a method and apparatus for making garments according to the present invention, the view illustrating a seaming section which follows the folding section shown in FIG. 2.

FIG. 4 illustrates a side view of a training pant made by the process and apparatus shown in FIGS. 1-3, where the fastening system is shown engaged on one side of the training pant and disengaged on the other side of the training pant.

FIG. 5 illustrates a plan view of the training pant shown in FIG. 4 in an unfastened, stretched and laid flat condition, and showing the surface of the training pant that faces away from the wearer.

FIG. 6 illustrates a plan view similar to FIG. 5, but showing the surface of the training pant that faces the wearer when the training pant is worn, and with portions cut away to show the underlying features.

FIG. 7 illustrates a portion of a continuously moving assemblage at one point in the assembly section illustrated in FIG. 1.

FIG. 8 illustrates an enlarged side view of the folding section shown in FIG. 2.

FIG. 9 illustrates a top view of a portion of the folding section shown in FIG. 2.

FIG. 10 illustrates an enlarged section view of a portion of a training pant at a position within the folding section shown in FIGS. 2, 8 and 9.

FIG. 11 illustrates an enlarged side view of a portion of the seaming section shown in FIG. 3.

FIG. 12 illustrates an enlarged section view of a portion of a training pant within the seaming section, at the position represented by line 12-12 in FIG. 11.

FIG. 13 illustrates an enlarged section view of a portion of a training pant within the seaming section, at the position represented by line 13-13 in FIG. 11.

FIG. 14 illustrates an enlarged section view of a portion of a training pant within the seaming section, at the position represented by line 14-14 in FIG. 11.

FIG. 15 illustrates another enlarged side view of a portion of the seaming section shown in FIG. 3.

FIG. 16 illustrates an enlarged section view of a portion of a training pant within the seaming section, at the position represented by line 16-16 in FIG. 15.

FIG. 17 illustrates an enlarged section view of a portion of a training pant within the seaming section, at the position represented by line 17-17 in FIG. 15.

FIG. 18 illustrates an enlarged section view of a portion of a training pant within the seaming section, at the position represented by line 18-18 in FIG. 15.

FIG. 19 illustrates an isometric view of a training pant being folded in the seaming section, the view showing folding and tucking guides which can be employed in particular embodiments.

FIG. 20 schematically illustrates a top plan view of a side panel at a sequence of positions on a side panel transfer device shown in FIGS. 3 and 11-19.

FIGS. 21 through 24 illustrate another embodiment of the present method and apparatus.

DETAILED DESCRIPTION OF THE DRAWINGS

The methods and apparatus of the present invention can be used to make a variety of garments. Examples of such garments include disposable absorbent articles such as diapers, training pants, feminine hygiene products, incontinence products, other personal care or health care garments; swim pants; athletic clothing; pants and shorts; or the like. For ease of explanation, the description hereafter will be in terms of methods and apparatus for making a child's training pant. In particular, the methods and apparatus will be described in terms of those for making prefastened disposable training pants as described in U.S. patent application Ser. No. 09/444,083 titled "Absorbent Articles With Refastenable Side Seams" and filed Nov. 22, 1999 (corresponding to PCT application WO 00/37009 published Jun. 29, 2000) by A. L. Fletcher et al., the disclosure of which is incorporated herein by reference.

FIGS. 1-3 representatively illustrate one embodiment of a method and apparatus for making a training pant 20. The training pant 20 is illustrated separately and in a partially fastened condition in FIG. 4. The training pant 20 comprises an absorbent chassis 32 and a fastening system 80. The absorbent chassis 32 defines a front waist region 22, a back waist region 24, a crotch region 26 interconnecting the front and back waist regions, an inner surface 28 which is configured to contact the wearer, and an outer surface 30 opposite the inner surface which is configured to contact the wearer's clothing. With additional reference to FIGS. 5 and 6, the absorbent chassis 32 also defines a pair of transversely opposed side edges 36 and a pair of longitudinally opposed waist edges, which are designated front waist edge 38 and back waist edge 39. The front waist region 22 is contiguous with the front waist edge 38, and the back waist region 24 is contiguous with the back waist edge 39.

The illustrated absorbent chassis 32 comprises a composite structure 33 which can be rectangular or any other desired shape, a pair of transversely opposed front side panels 34, and a pair of transversely opposed back side panels 134. The composite structure 33 and side panels 34 and 134 may comprise two or more separate elements, as shown in FIG. 4, or be integrally formed. Integrally formed side panels and composite structure would comprise at least some common materials, such as the bodyside liner, flap composite, outer cover, other materials and/or combinations thereof, and could define a one-piece elastic, stretchable, or nonstretchable pant. The illustrated composite structure 33 comprises an outer cover 40, a bodyside liner 42 (FIGS. 4 and 6) which is connected to the outer cover in a superposed relation, an absorbent assembly 44 (FIG. 6) which is located between the outer cover and the bodyside liner, and a pair of containment flaps 46 (FIG. 6). The illustrated composite structure 33 has opposite linear end edges 45 that form portions of the front and back waist edges 38 and 39, and opposite linear side edges 47 that form portions of the side edges 36 of the absorbent chassis 32 (FIGS. 5 and 6). For reference, arrows 48 and 49 depicting the ori-

entation of the longitudinal axis and the transverse axis, respectively, of the training pant **20** are illustrated in FIGS. **5** and **6**.

With the training pant **20** in the fastened position as partially illustrated in FIG. **4**, the front and back waist regions **22** and **24** are joined together to define a three-dimensional pant configuration having a waist opening **50** and a pair of leg openings **52**. The front waist region **22** comprises the portion of the training pant **20** which, when worn, is positioned on the front of the wearer while the back waist region **24** comprises the portion of the training pant which, when worn, is positioned on the back of the wearer. The crotch region **26** of the training pant **20** comprises the portion of the training pant which, when worn, is positioned between the legs of the wearer and covers the lower torso of the wearer. The front and back side panels **34** and **134** comprise the portions of the training pant **20** which, when worn, are positioned on the hips of the wearer.

The front waist region **22** of the absorbent chassis **32** includes the transversely opposed front side panels **34** and a front center panel **35** (FIGS. **5** and **6**) positioned between and interconnecting the side panels. The back waist region **24** of the absorbent chassis **32** includes the transversely opposed back side panels **134** and a back center panel **135** (FIGS. **5** and **6**) positioned between and interconnecting the side panels. The waist edges **38** and **39** of the absorbent chassis **32** are configured to encircle the waist of the wearer when worn and provide the waist opening **50** which defines a waist perimeter dimension. Portions of the transversely opposed side edges **36** in the crotch region **26** generally define the leg openings **52**.

The absorbent chassis **32** is configured to contain and/or absorb any body exudates discharged from the wearer. For example, the absorbent chassis **32** desirably although not necessarily comprises the pair of containment flaps **46** which are configured to provide a barrier to the transverse flow of body exudates. A flap elastic member **53** (FIG. **6**) can be operatively joined with each containment flap **46** in any suitable manner as is well known in the art. The elasticized containment flaps **46** define an unattached edge which assumes an upright configuration in at least the crotch region **26** of the training pant **20** to form a seal against the wearer's body. The containment flaps **46** can be located along the transversely opposed side edges of the absorbent chassis **32**, and can extend longitudinally along the entire length of the absorbent chassis or may only extend partially along the length of the absorbent chassis. Suitable constructions and arrangements for the containment flaps **46** are generally well known to those skilled in the art and are described in U.S. Pat. No. 4,704,116 issued Nov. 3, 1987 to Enloe, which is incorporated herein by reference.

To further enhance containment and/or absorption of body exudates, the training pant **20** desirably although not necessarily includes a front waist elastic member **54**, a rear waist elastic member **56**, and leg elastic members **58**, as are known to those skilled in the art (FIG. **6**). The waist elastic members **54** and **56** can be operatively joined to the outer cover **40** and/or bodyside liner **42** along the opposite waist edges **38** and **39**, and can extend over part or all of the waist edges. The leg elastic members **58** can be operatively joined to the outer cover **40** and/or bodyside liner **42** along the opposite side edges **36** and positioned in the crotch region **26** of the training pant **20**. The leg elastic members **58** are desirably longitudinally aligned along each side edge **47** of the composite structure **33**. Each leg elastic member **58** has a front terminal point **63** and a back terminal point **65**, which points represent the longitudinal ends of the elastic gathering caused by the leg

elastic members. The front terminal points **63** can be located adjacent the longitudinally innermost parts of the front side panels **34**, and the back terminal points **65** can be located adjacent the longitudinally innermost parts of the back side panels **134**.

The flap elastic members **53**, the waist elastic members **54** and **56**, and the leg elastic members **58** can be formed of any suitable elastic material. As is well known to those skilled in the art, suitable elastic materials include sheets, strands or ribbons of natural rubber, synthetic rubber, or thermoplastic elastomeric polymers. The elastic materials can be stretched and adhered to a substrate, adhered to a gathered substrate, or adhered to a substrate and then elasticized or shrunk, for example with the application of heat; such that elastic constrictive forces are imparted to the substrate. In one particular embodiment, for example, the leg elastic members **58** comprise a plurality of dry-spun coalesced multifilament spandex elastomeric threads sold under the trade name LYCRA® and available from E. I. Du Pont de Nemours and Company, Wilmington, Del. U.S.A.

The outer cover **40** desirably comprises a material that is substantially liquid impermeable, and can be elastic, stretchable or nonstretchable. The outer cover **40** can be a single layer of liquid impermeable material, but desirably comprises a multi-layered laminate structure in which at least one of the layers is liquid impermeable. For instance, the outer cover **40** can include a liquid permeable outer layer and a liquid impermeable inner layer that are suitably joined together by a laminate adhesive, ultrasonic bonds, thermal bonds, or the like. Suitable laminate adhesives, which can be applied continuously or intermittently as beads, a spray, parallel swirls, or the like, can be obtained from Findley Adhesives, Inc., of Wauwatosa, Wis. U.S.A., or from National Starch and Chemical Company, Bridgewater, N.J. U.S.A. The liquid permeable outer layer can be any suitable material and desirably one that provides a generally cloth-like texture. One example of such a material is a 20 gsm (grams per square meter) spunbond polypropylene nonwoven web. The outer layer may also be made of those materials of which liquid permeable bodyside liner **42** is made. While it is not a necessity for outer layer to be liquid permeable, it is desired that it provides a relatively cloth-like texture to the wearer.

The inner layer of the outer cover **40** can be both liquid and vapor impermeable, or can be liquid impermeable and vapor permeable. The inner layer can be manufactured from a thin plastic film, although other flexible liquid impermeable materials may also be used. The inner layer, or the liquid impermeable outer cover **40** when a single layer, prevents waste material from wetting articles, such as bedsheets and clothing, as well as the wearer and caregiver. A suitable liquid impermeable film for use as a liquid impermeable inner layer, or a single layer liquid impermeable outer cover **40**, is a 0.02 millimeter polyethylene film commercially available from Huntsman Packaging of Newport News, Va. U.S.A. If the outer cover **40** is a single layer of material, it can be embossed and/or matte finished to provide a more cloth-like appearance. As earlier mentioned, the liquid impermeable material can permit vapors to escape from the interior of the disposable absorbent article, while still preventing liquids from passing through the outer cover **40**. A suitable "breathable" material is composed of a microporous polymer film or a nonwoven fabric that has been coated or otherwise treated to impart a desired level of liquid impermeability. A suitable microporous film is a PMP-1 film material commercially available from Mitsui Toatsu Chemicals, Inc., Tokyo, Japan, or an XKO-8044 polyolefin film commercially available from 3M Company, Minneapolis, Minn. U.S.A.

As shown in FIGS. 4 and 5, the training pant 20 and in particular the outer cover 40 desirably comprises one or more appearance-related components. Examples of appearance-related components include, but are not limited to, graphics; highlighting or emphasizing leg and waist openings in order to make product shaping more evident or visible to the user; highlighting or emphasizing areas of the product to simulate functional components such as elastic leg bands, elastic waistbands, simulated "fly openings" for boys, ruffles for girls; highlighting areas of the product to change the appearance of the size of the product; registering wetness indicators, temperature indicators, and the like in the product; registering a back label, or a front label, in the product; and registering written instructions at a desired location in the product.

The illustrated training pant 20, which is designed for use by young girls, includes a registered outer cover graphic 60. In this design, the registered graphic 60 includes a primary pictorial image 61, simulated waist ruffles 62, and simulated leg ruffles 64. The primary pictorial image 61 includes a rainbow, sun, clouds, animal characters, wagon and balloons. Any suitable design can be utilized for a training pant intended for use by young girls, so as to be aesthetically and/or functionally pleasing to them and the caregiver. The appearance-related components are desirably positioned on the training pant 20 at selected locations, which can be carried out using the methods disclosed in U.S. Pat. No. 5,766,389 issued Jun. 16, 1998 to Brandon et al., which is incorporated herein by reference. The primary pictorial image 61 is desirably positioned in the front waist region 22 along the longitudinal center line of the training pant 20.

The liquid permeable bodyside liner 42 is illustrated as overlying the outer cover 40 and absorbent assembly 44, and may but need not have the same dimensions as the outer cover 40. The bodyside liner 42 is desirably compliant, soft feeling, and non-irritating to the child's skin. Further, the bodyside liner 42 can be less hydrophilic than the absorbent assembly 44, to present a relatively dry surface to the wearer and permit liquid to readily penetrate through its thickness. Alternatively, the bodyside liner 42 can be more hydrophilic or can have essentially the same affinity for moisture as the absorbent assembly 44 to present a relatively wet surface to the wearer to increase the sensation of being wet. This wet sensation can be useful as a training aid. The hydrophilic/hydrophobic properties can be varied across the length, width and depth of the bodyside liner 42 and absorbent assembly 44 to achieve the desired wetness sensation or leakage performance.

The bodyside liner 42 can be manufactured from a wide selection of web materials, such as synthetic fibers (for example, polyester or polypropylene fibers), natural fibers (for example, wood or cotton fibers), a combination of natural and synthetic fibers, porous foams, reticulated foams, apertured plastic films, or the like. Various woven and nonwoven fabrics can be used for the bodyside liner 42. For example, the bodyside liner can be composed of a meltblown or spunbonded web of polyolefin fibers. The bodyside liner can also be a bonded-carded web composed of natural and/or synthetic fibers. The bodyside liner can be composed of a substantially hydrophobic material, and the hydrophobic material can, optionally, be treated with a surfactant or otherwise processed to impart a desired level of wettability and hydrophilicity. For example, the material can be surface treated with about 0.45 weight percent of a surfactant mixture comprising Ahcovel N-62 from Hodgson Textile Chemicals of Mount Holly, N.C. U.S.A. and Glucopan 220UP from Henkel Corporation of Ambler, Pa. in an active ratio of 3:1. The surfactant can be applied by any conventional means, such as spraying, printing, brush coating or the like. The surfactant

can be applied to the entire bodyside liner 42 or can be selectively applied to particular sections of the bodyside liner, such as the medial section along the longitudinal center line.

A suitable liquid permeable bodyside liner 42 is a nonwoven bicomponent web having a basis weight of about 27 gsm. The nonwoven bicomponent can be a spunbond bicomponent web, or a bonded carded bicomponent web. Suitable bicomponent staple fibers include a polyethylene/polypropylene bicomponent fiber available from CHISSO Corporation, Osaka, Japan. In this particular bicomponent fiber, the polypropylene forms the core and the polyethylene forms the sheath of the fiber. Other fiber orientations are possible, such as multi-lobe, side-by-side, end-to-end, or the like. The outer cover 40, bodyside liner 42 and other materials used to construct the pant can comprise elastomeric materials or nonelastomeric materials.

The absorbent assembly 44 (FIG. 6) is positioned between the outer cover 40 and the bodyside liner 42, which components can be joined together by any suitable means such as adhesives, ultrasonic bonds, thermal bonds, or the like. The absorbent assembly 44 can be any structure which is generally compressible, conformable, non-irritating to the child's skin, and capable of absorbing and retaining liquids and certain body wastes. The absorbent assembly 44 can be manufactured in a wide variety of sizes and shapes, and from a wide variety of liquid absorbent materials commonly used in the art. For example, the absorbent assembly 44 can suitably comprise a matrix of hydrophilic fibers, such as a web of cellulosic fluff, mixed with particles of a high-absorbency material commonly known as superabsorbent material. In a particular embodiment, the absorbent assembly 44 comprises a matrix of cellulosic fluff, such as wood pulp fluff, and superabsorbent hydrogel-forming particles. The wood pulp fluff can be exchanged with synthetic, polymeric, meltblown fibers or short cut homofil bicomponent synthetic fibers and natural fibers. The superabsorbent particles can be substantially homogeneously mixed with the hydrophilic fibers or can be nonuniformly mixed. The fluff and superabsorbent particles can also be selectively placed into desired zones of the absorbent assembly 44 to better contain and absorb body exudates. The concentration of the superabsorbent particles can also vary through the thickness of the absorbent assembly 44. Alternatively, the absorbent assembly 44 can comprise a laminate of fibrous webs and superabsorbent material or other suitable means of maintaining a superabsorbent material in a localized area.

Suitable superabsorbent materials can be selected from natural, synthetic, and modified natural polymers and materials. The superabsorbent materials can be inorganic materials, such as silica gels, or organic compounds, such as crosslinked polymers, for example, sodium neutralized polyacrylic acid. Suitable superabsorbent materials are available from various commercial vendors, such as Dow Chemical Company located in Midland, Mich. U.S.A., and Stockhausen GmbH & Co. KG, D-47805 Krefeld, Federal Republic of Germany. Typically, a superabsorbent material is capable of absorbing at least about 15 times its weight in water, and desirably is capable of absorbing more than about 25 times its weight in water.

In one embodiment, the absorbent assembly 44 which can be rectangular or any other desired shape comprises a blend of wood pulp fluff and superabsorbent material. One preferred type of pulp is identified with the trade designation CR1654, available from U.S. Alliance, Childersburg, Ala. U.S.A., and is a bleached, highly absorbent sulfate wood pulp containing primarily soft wood fibers and about 16 percent hardwood fibers. As a general rule, the superabsorbent material is

13

present in the absorbent assembly **44** in an amount of from 0 to about 90 weight percent based on total weight of the absorbent assembly. The absorbent assembly **44** suitably has a density within the range of about 0.10 to about 0.35 grams per cubic centimeter. The absorbent assembly **44** may or may not be wrapped or encompassed by a suitable tissue wrap that may help maintain the integrity and/or shape of the absorbent assembly.

The absorbent chassis **32** can also incorporate other materials that are designed primarily to receive, temporarily store, and/or transport liquid along the mutually facing surface with absorbent assembly **44**, thereby maximizing the absorbent capacity of the absorbent assembly. One suitable material is referred to as a surge layer (not shown) and comprises a material having a basis weight of about 50 to about 120 grams per square meter, and comprising a through-air-bonded-carded web of a homogenous blend of 60 percent 3 denier type T-256 bicomponent fiber comprising a polyester core/polyethylene sheath and 40 percent 6 denier type T-295 polyester fiber, both commercially available from Kosa Corporation of Salisbury, N.C. U.S.A.

As noted previously, the illustrated training pant **20** has front and back side panels **34** and **134** disposed on each side of the absorbent chassis **32**. These transversely opposed front side panels **34** and transversely opposed back side panels **134** can be permanently bonded along attachment lines **66** to the composite structure **33** of the absorbent chassis **32** in the respective front and back waist regions **22** and **24**. More particularly, as shown best in FIGS. **5** and **6**, the front side panels **34** can be permanently bonded to and extend transversely beyond the linear side edges **47** of the composite structure **33** in the front waist region **22**, and the back side panels **134** can be permanently bonded to and extend transversely beyond the linear side edges of the composite structure in the back waist region **24**. The side panels **34** and **134** may be attached using attachment means known to those skilled in the art such as adhesive, thermal or ultrasonic bonding. Alternatively, the side panels **34** and **134** can be formed as an integral portion of a component of the composite structure **33**. For example, the side panels can comprise a generally wider portion of the outer cover **40**, the bodyside liner **42**, and/or another component of the absorbent chassis. The front and back side panels **34** and **134** can be permanently bonded together or be releasably attached to one another as illustrated by the fastening system **80**.

The illustrated side panels **34** and **134** each define a distal edge **68** that is spaced from the attachment line **66**, a leg end edge **70** disposed toward the longitudinal center of the training pant **20**, and a waist end edge **72** disposed toward a longitudinal end of the training pant. The leg end edge **70** and waist end edge **72** extend from the side edges **47** of the composite structure **33** to the distal edges **68**. The leg end edges **70** of the side panels **34** and **134** form part of the side edges **36** of the absorbent chassis **32**. In the back waist region **24**, the leg end edges **70** are desirably although not necessarily curved and/or angled relative to the transverse axis **49** to provide greater coverage toward the back of the pant as compared to the front of the pant. The waist end edges **72** are desirably parallel to the transverse axis **49**. The waist end edges **72** of the front side panels **34** form part of the front waist edge **38** of the absorbent chassis **32**, and the waist end edges **72** of the back side panels **134** form part of the back waist edge **39** of the absorbent chassis.

In particular embodiments for improved fit and appearance, the side panels **34** and **134** desirably have an average length dimension measured parallel to the longitudinal axis **48** that is about 20 percent or greater, and particularly about

14

25 percent or greater, of the overall length dimension of the absorbent article, also measured parallel to the longitudinal axis **48**. For example, in training pants having an overall length dimension of about 54 centimeters, the side panels **34** and **134** desirably have an average length dimension of about 10 centimeters or greater, such as about 15 centimeters. While each of the side panels **34** and **134** extend from the waist opening **50** to one of the leg openings **52**, the illustrated back side panels **134** have a continually decreasing length dimension moving from the attachment line **66** to the distal edge **68**, as is best shown in FIGS. **5** and **6**.

Each of the side panels **34** and **134** can include one or more individual, distinct pieces of material. In particular embodiments, for example, each side panel **34** and **134** can include first and second side panel portions that are joined at a seam, or can include a single piece of material which is folded over upon itself (not shown).

The side panels **34** and **134** desirably although not necessarily comprise an elastic material capable of stretching in a direction generally parallel to the transverse axis **49** of the training pant **20**. Suitable elastic materials, as well as one process of incorporating elastic side panels into a training pant, are described in the following U.S. Pat. No.: 4,940,464 issued Jul. 10, 1990 to Van Gompel et al.; U.S. Pat. No. 5,224,405 issued Jul. 6, 1993 to Pohjola; U.S. Pat. No. 5,104,116 issued Apr. 14, 1992 to Pohjola; and U.S. Pat. No. 5,046,272 issued Sep. 10, 1991 to Vogt et al.; all of which are incorporated herein by reference. In particular embodiments, the elastic material comprises a stretch-thermal laminate (STL), a neck-bonded laminate (NBL), a reversibly necked laminate, or a stretch-bonded laminate (SBL) material. Methods of making such materials are well known to those skilled in the art and described in U.S. Pat. No. 4,663,220 issued May 5, 1987 to Wisneski et al.; U.S. Pat. No. 5,226,992 issued Jul. 13, 1993 to Morman; and European Patent Application No. EP 0 217 032 published on Apr. 8, 1987 in the names of Taylor et al.; all of which are incorporated herein by reference. Alternatively, the side panel material may comprise other woven or nonwoven materials, such as those described above as being suitable for the outer cover **40** or bodyside liner **42**; mechanically pre-strained composites; or stretchable but inelastic materials.

The illustrated training pant **20** includes a fastening system **80** for refastenably securing the training pant about the waist of the wearer. The illustrated fastening system **80** includes first fastening components **82** and **83** that are adapted to refastenably connect to mating second fastening components **84** and **85**. In one embodiment, one surface of each of the first fastening components **82** and **83** comprises a plurality of engaging elements that project from that surface. The engaging elements of the first fastening components **82** and **83** are adapted to repeatedly engage and disengage engaging elements of the second fastening components **84** and **85**.

In one particular embodiment, the first fastening components **82** and **83** each comprise hook type fasteners and the second fastening components **84** and **85** each comprise complementary loop type fasteners. In another particular embodiment, the first fastening components **82** and **83** each comprise loop type fasteners and the second fastening components **84** and **85** each comprise complementary hook type fasteners. Alternatively, the fastening components can comprise interlocking similar surface fasteners; adhesive or cohesive fastening elements such as an adhesive fastener and an adhesive-receptive landing zone or material; or the like. Although the illustrated embodiments show the back waist region **24** overlapping the front waist region **22**, which is

convenient, the training pant **20** can also be configured so that the front waist region overlaps the back waist region.

Loop type fasteners typically comprise a fabric or material having a base or backing structure and a plurality of loop members extending upwardly from at least one surface of the backing structure. The loop material can be formed of any suitable material, such as acrylic, nylon, polypropylene or polyester, and can be formed by methods such as warp knitting, stitch bonding or needle punching. Loop type materials can also comprise any fibrous structure capable of entangling or catching hook type materials, such as carded, spunbonded or other nonwoven webs or composites, including elastomeric and nonelastomeric composites. Suitable loop materials are available from Guilford Mills, Inc., Greensboro, N.C., U.S.A. under the trade designation No. 36549. Another suitable loop material can comprise a pattern un-bonded web as disclosed in U.S. Pat. No. 5,858,515 issued Jan. 12, 1999 to Stokes et al.

Hook type fasteners typically comprise a fabric or material having a base or backing structure and a plurality of hook members extending upwardly from at least one surface of the backing structure. In contrast to the loop type fasteners which desirably comprise a flexible fabric, the hook material advantageously comprises a resilient material to minimize unintentional disengagement of the fastener components as a result of the hook material becoming deformed and catching on clothing or other items. The term "resilient" as used herein refers to an interlocking material having a predetermined shape and the property of the interlocking material to resume the predetermined shape after being engaged and disengaged from a mating, complementary interlocking material. Suitable hook material can be molded or extruded of nylon, polypropylene or another suitable material. Suitable single-sided hook materials for the fastening components **82-85** are available from commercial vendors such as Velcro Industries B.V., Amsterdam, Netherlands or affiliates thereof, and are identified as Velcro HTH-829 with a uni-directional hook pattern and having a thickness of about 0.9 millimeters (35 mils) and HTH-851 with a unidirectional hook pattern and having a thickness of about 0.5 millimeters (20 mils); and Minnesota Mining & Manufacturing Co., St. Paul, Minn. U.S.A., including specific materials identified as CS-600.

With particular reference to FIG. 6, the first fastening components **82** and **83** are desirably although not necessarily disposed on the inner surface **28** of the training pant **20** in the back waist region **24**. The first fastening components **82** and **83** are desirably positioned along the distal edges **68** of the back side panels **134**, and abutting or adjacent to the waist end edge **72**. In certain embodiments, for example, the first fastening components **82** and **83** can be located within about 2 centimeters, and more particularly within about 1 centimeter, of the distal edges **68**, the waist end edges **72**, and the leg end edges **70**.

With particular reference to FIG. 5, the second fastening components **84** and **85** are desirably although not necessarily disposed on the outer surface **30** of the training pant **20** in the front waist region **22**. The second fastening components **84** and **85** are sized to receive the first fastening components **82** and **83** and can be desirably positioned along the distal edges **68** of the front side panels **34**, and abutting or adjacent to the waist end edge **72**. In certain embodiments, for example, the second fastening components **84** and **85** are located within about 2 centimeters, and more particularly within about 1 centimeter, of the distal edges **68**, the waist end edges **72**, and the leg end edges **70**. Where the first fastening components **82** and **83** comprise loop type fasteners disposed on the inner surface **28** and the second fastening components **84** and **85**

comprise hook type fasteners disposed on the outer surface **30**, the first fastening components can be sized larger than the second fastening components to ensure coverage of the rigid, outwardly-directed hooks.

The fastening components **82-85** can be adhered to the side panels **34** and **134** by any means known to those skilled in the art such as adhesive bonds, ultrasonic bonds or thermal bonds. The fastening components can comprise separate fastening elements or can comprise distinct regions of an integral material. For example, the training pant **20** can include an integral second fastening material disposed in the front waist region **22** for refastenably connecting to the first fastening components **82** and **83** at two or more different regions, which define the second fastening components **84** and **85** (FIG. 3). In a particular embodiment, the fastening components can comprise integral portions of the waist regions. For instance, one of the elastomeric front or back side panels can function as second fastening components in that they can comprise a material that is releasably engageable with fastening components disposed in the opposite waist region.

The fastening components are desirably rectangular, although they may alternatively be square, round, oval, curved or otherwise non-rectangularly shaped. In particular embodiments, each of the fastening components **82-85** defines a length dimension aligned generally parallel with the longitudinal axis **48** of the training pant **20** and a width dimension aligned generally parallel with the transverse axis **49** of the training pant. For a child of about 9 to about 15 kilograms (20-30 pounds), for example, the length dimension of the fastening components is desirably from about 5 to about 13 centimeters, such as about 10 centimeters, and the width dimension is desirably from about 0.5 to about 3 centimeters, such as about 1 centimeter. With particular embodiments, the fastening components can have a length-to-width ratio of about 2 or greater, such as about 2 to about 25, and particularly about 5 or greater, such as about 5 to about 8. For other embodiments such as for adult products, it may be desirable for one or more of the fastening components to comprise a plurality of relatively smaller fastening elements. In that case, a fastening component or individual fastening elements may have an even smaller length-to-width ratio, for example, of about 2 or less, and even about 1 or less.

When the fastening components **82-85** are releasably engaged, the side edges **36** of the absorbent chassis **32** in the crotch region **26** define the leg openings **52**, and the waist edges **38** and **39** of the absorbent chassis, including the waist end edges **72** of the side panels, define the waist opening **50**. For improved formation of the leg openings **52**, it can be desirable in some embodiments for the front side panels **34** to be longitudinally spaced from the back side panels **134** (see FIGS. 5 and 6). For example, the front side panels **34** can be longitudinally spaced from the back side panels **134** by a distance equal to about 20 percent or greater, particularly from about 20 to about 60 percent, and more particularly from about 35 to about 50 percent, of the overall length dimension of the absorbent article.

When connected, the fastening components **82-85** form refastenable seams **88** (FIG. 4) that desirably although not necessarily extend substantially the entire distance between the waist opening **50** and the leg openings **52**. More specifically, the refastenable seams **88** can cover about 80 to 100 percent, and particularly about 90 to about 98 percent, of the distance between the waist opening **50** and each leg opening **52**, which distance is measured parallel to the longitudinal axis **48**. To construct the seams **88** to extend substantially the entire distance between the waist and leg openings **50** and **52**, the fastening components **82-85** can be formed to cover about

80 to 100 percent, and more particularly about 90 to about 98 percent, of the distance between the waist end edge **70** and the leg end edge **72** of the side panels **34** and **134**. In other embodiments, the fastening components can comprise a plurality of smaller fastening elements covering a smaller portion of the distance between the waist opening **50** and the leg openings **52**, for example, about 20 to about 70 percent, but spaced apart to span a larger percentage of the distance between the waist opening and the leg openings.

For the refastenable seams **88** to be located at the sides of the wearer, it can be particularly desirable for the transverse distance between the first fastening components **82** and **83** to be substantially equal to the transverse distance between the second fastening components **84** and **85**. The transverse distance between a set of fasteners is measured parallel to the transverse axis **49** between the longitudinal center lines of the fasteners.

An exemplary embodiment of an assembly section **100** for making a continuous stream of partially assembled, discrete garments **102** is illustrated in FIG. 1. The specific equipment and processes used in the assembly section **100** can vary greatly depending on the specific type of garment being manufactured. The particular process and apparatus described in relation to FIG. 1 is specifically adapted to manufacture training pants **20** of the type illustrated in FIG. 4.

The various components of the training pant can be connected together by any means known to those skilled in the art such as, for example, adhesive, thermal and/or ultrasonic bonds. Desirably, most of the components are connected using ultrasonic bonding for improved manufacturing efficiency and reduced raw material costs. Certain garment manufacturing equipment which is readily known and understood in the art, including frames and mounting structures, ultrasonic and adhesive bonding devices, transport conveyors, transfer rolls, guide rolls, tension rolls, and the like, have not been shown in FIGS. 1 and 2. Suitable absorbent supply mechanisms, web unwinds, conveyor systems, registration systems, drives systems, control systems and the like, for use with the present process are disclosed in U.S. Pat. No. 5,766,389 issued Jun. 16, 1998 to Brandon et al., which is incorporated herein by reference. Also, the outer cover graphics **61** are not shown in FIGS. 1, 2 and 7.

A continuous supply of material **104** used to form the bodyside liner **42** is provided from a supply source **106**. The supply source **106** can comprise for example any standard unwind mechanism, which generally includes a pair of spindles, a festoon assembly, and a dancer roll for providing bodyside liner material **104** at a desired speed and tension.

Various components can be disposed on and/or bonded to the bodyside liner material **104** as the material travels in a machine direction identified by arrow **108**. In particular, a surge layer can be provided at an application station **110** and disposed on and/or bonded to the bodyside liner material **104**. The surge layer can comprise either a continuous web or discrete sheets. Additionally, a containment flap module **112** can be provided downstream of the supply source **106** for attaching pre-assembled containment flaps to the bodyside liner material **104**. As various components are added in the assembly section **100**, a continuously moving product assemblage **113** is formed. The product assemblage **113** will be cut downstream to form the partially assembled, discrete training pants **102**.

A plurality of absorbent assemblies **114** can be provided from a suitable supply source **115**. The supply source **115** can be any conventional mechanism for supplying the absorbent assemblies **114**. Generally, a conventional supply source can include a hammermill for forming fluff fibers and, if desired,

for providing an enclosure for mixing superabsorbent material with the fluff fibers, and then depositing the fluff and superabsorbent material on a forming drum having a desired absorbent design. The individual absorbent assemblies **114** can be disposed intermittently on the continuously moving bodyside liner material **104**, one for each training pant. The position of the absorbent assemblies **114** can be registered with the position of the surge material, if employed. The absorbent assemblies **114** can be bonded to one or more other components using adhesives or other suitable means. Alternatively, composite absorbent materials can be fed into the converting process from rolls or compressed packages, such as festooned bales.

Continuous webs of material **116** used to form the side panels **34** and **134** can be provided from suitable supply sources **117**. The supply sources **117** can comprise one or more standard unwind mechanisms. The side panel material **116** can be cut into individual strips **118** and positioned partially on the bodyside liner material **104** using an applicator device **120**. In the cross machine direction, the individual strips **118** desirably extend laterally outward from the bodyside liner material **104** (see FIGS. 1 and 7) and overlap the bodyside liner material by an amount such as about 2 or more centimeters to permit bonding of the strips to the bodyside liner and/or the containment flap material. In the machine direction **108**, the position of the strips **118** can be registered relative to the absorbent assemblies **114** so that the product assemblage **113** can be cut between the absorbent assemblies with each strip **118** of side panel material **116** forming both a front side panel **34** and a back side panel **134** of consecutive garments **102**.

One suitable applicator device **120** is disclosed in U.S. Pat. No. 5,104,116 issued Apr. 14, 1992 and U.S. Pat. No. 5,224,405 issued Jul. 6, 1993 both to Pohjola, which are incorporated herein by reference. The applicator device **120** can comprise a cutting assembly **122** and a rotatable transfer roll **124**. The cutting assembly **122** employs a rotatable knife roll **126** and a rotatable vacuum anvil roll **128** to cut individual strips **118** from the continuous side panel material **116**. The strips **118** cut by a blade on the knife roll **126** can be maintained on the anvil roll **128** by vacuum and transferred to the transfer roll **124**.

The rotatable transfer roll **124** can comprise a plurality of rotatable vacuum pucks **130**. The vacuum pucks **130** receive the strips **118** of material **116** from the cutting assembly **122** and rotate and transfer the strips to the continuously moving bodyside liner material **104**. When the strips **118** are positioned as desired relative to the bodyside liner material **104**, the strips are released from the pucks **130** by extinguishing the vacuum in the pucks. The pucks **130** can continue to rotate toward the cutting assembly **122** to receive other strips.

As disclosed by Van Gompel et al., the material **116** used to form the side panels can alternatively be provided in continuous form and pressurized fluid-jets or a rotary die cutter can be employed to cut the material to form leg openings **52**. Still alternatively, the side panels **34** and **134** of the training pant **20** can be provided by portions of the bodyside liner **42** and/or outer cover **40**.

A continuous supply of material **140** used to form the outer cover **40** can be provided from a supply roll **142** or other suitable source. The outer cover material **140** can be transported over a laminator roll **144** and married with the bodyside liner material **104**. The absorbent assemblies **114** are thereby sandwiched between the continuous materials **104** and **140**. The inward portions of the strips **118** of side panel material **116** can also be disposed between the bodyside liner material **104** and the outer cover material **140**. Alternative

configurations for attaching the side panel material **116** are disclosed by Van Gompel et al. Various components such as leg elastics **58** or waist elastics **54** and **56** can be bonded to the outer cover material **140** at an application station **146** prior to uniting the bodyside liner and outer cover materials **104** and **140**. Alternatively, leg elastics or waist elastics can be initially bonded to the bodyside liner material **104** or another material.

Bonding devices **148** such as ultrasonic bonders can be employed downstream of the laminator roll **144** to bond the bodyside liner material **104**, side panel material **116** and outer cover material **140**. For example, these materials can be transported between a rotary ultrasonic horn and an anvil roll. Suitable rotary ultrasonic horns are described in U.S. Pat. No. 5,110,403 to Ehlert, which is incorporated herein by reference. Such rotary ultrasonic horns generally have a diameter of from about 5 to about 20 centimeters and a width of from about 2 to about 15 centimeters. Alternatively, the ultrasonic horn may be a stationary ultrasonic horn as are also known to those skilled in the art. Other suitable ultrasonic horns and ultrasonic bonders are commercially available from Branson Sonic Power Company, Danbury, Conn. U.S.A. The bonding devices **148** could otherwise be a thermal or adhesive bonder as are well known.

The continuously moving product assemblage **113** next advances to a fastener application station **150** where fastening components **82-85** are bonded to the strips **118** of side panel material **116**. The location of the fastening components on the composite is a function in part of the configuration of the assembly section **100**. The illustrated assembly section **100** is configured so that the upwardly facing surface of the product assemblage **113** will become the outer surface **30** of the training pant **20** and the downwardly facing surface will become the inner surface **28**. Moreover, the illustrated assembly section **100** is configured to produce partially assembled training pants **102** having the front waist region **22** of a leading garment connected to the back waist region **24** of a trailing garment. The process could alternatively employ any combination of different orientations. For example, the upwardly facing surface of the product assemblage could form the inner surface **28** of finished garments. Additionally or alternatively, the back waist region **24** of a leading garment can be connected to the front waist region **22** of the trailing garment, or the garments can be arranged in a front-to-front/back-to-back relationship. Still alternatively, the assembly section **100** could be constructed as a cross-machine direction process wherein the longitudinal axis **48** of each garment could be perpendicular to the machine direction **108** during part or all of the assembly process.

The location of the fastening components **82-85** in this embodiment is best illustrated in FIG. 7, which shows a portion of the product assemblage **113** which is moving in the direction of arrow **108** immediately following the fastener application station **150**. Each individual strip **118** of side panel material **116** defines a leading edge **152**, a trailing edge **154**, a distal edge **156** and an interior edge **158**. A dashed line **159** illustrates the location at which the product assemblage **113** can subsequently be cut to provide the discrete training pants **102**. Based on the illustrated orientation of the continuously moving product assemblage **113**, the first fastening components **82** and **83** can be bonded to the underside of the strips **118** and the second fastening components **84** and **85** can be bonded to the top of the strips. Additionally, the first fastening components **82** and **83** can be disposed relatively closer to the trailing edge **154** and the second fastening components **84** and **85** can be disposed relatively closer to the leading edge **152**. The first fastening components **82** and **83**

can be spaced in the machine direction **108** from the second fastening components **84** and **85** so that the cut line **159** passes therebetween.

With reference again to FIG. 1, continuous webs of second fastener material **160** used to form the second fastening components **84** and **85** can be provided from supply rolls **162** or other suitable sources. The second fastener materials **160** can be cut into individual second fasteners **84** and **85** by cutting assemblies **164** or other suitable devices. The illustrated cutting assemblies **164** include rotatable knife rolls **166**, rotatable vacuum anvil rolls **167**, and rotatable backing rolls **168**. The continuous second fastener materials **160** can be cut by blades on the knife rolls **166**, maintained on the anvil rolls **167** by vacuum, and disposed on the top surfaces of the strips **118** of side panel material **116**.

Similarly, continuous webs of first fastener material **170** used to form the first fastening components **82** and **83** can be provided from supply rolls **172** or other suitable sources. The first fastener materials **170** can be cut into individual first fasteners **82** and **83** by cutting assemblies **174** or other suitable devices. The illustrated cutting assemblies **174** include rotatable knife rolls **176**, rotatable vacuum anvil rolls **177**, and rotatable backing rolls **178**. The continuous first fastener materials **170** can be cut by blades on the knife rolls **176**, maintained on the anvil rolls **177** by vacuum, and disposed on the undersides of the strips **118** of side panel material **116**.

Other arrangements can be used to attach the fastening components **82-85**. For example, the fastening components can be applied to the side panel material **116** prior to uniting the side panel material with the bodyside liner material **104** and/or the outer cover material **140**; the fastening components can be applied to the bodyside liner material **104** and/or outer cover material **140**, whether separate side panels are used or not; portions of other components such as the bodyside liner and/or outer cover can form one or more of the fastening components; the separate side panels or integral side panels can themselves form one or more of the fastening components; the fastening components can be attached as pre-engaged composites **82, 84** and **83, 85**; or the like.

After the fastening components are disposed on the strips **118** of side panel material **116**, bonding devices **180** such as ultrasonic bonders can be employed to bond the fastening components to the strips. For example, the strips **118** can be transported between a rotary ultrasonic horn and an anvil roll, which devices are positioned on each side of the process at the cross machine direction location, that is the transverse location, of the fastening components **82, 84** and **83, 85**. Particular ultrasonic bond patterns comprising individual, circular bonds which are compatible with mechanical fastening materials are disclosed in U.S. Pat. No. 5,660,666 issued Aug. 26, 1997 to Dilnik et al., which is incorporated herein by reference. Efficient arrangements for attaching the fastening components with nonadhesive bonding devices are further described in U.S. patent application Ser. No. unknown, filed on May 15, 2001 by J. D. Coenen et al. and titled "Methods For Making Garments With Fastening Components," which is incorporated herein by reference. For secure attachment, it may be desirable to attach the fastening components with both adhesive and thermal bonds. Suitable attachment adhesives are available from commercial vendors such as Findley Adhesive, Inc., Wauwatosa, Wis. U.S.A.

In particular embodiments, the bonding devices **180** can provide timed, non-uniform bonding of the fastening components to the side panel material **116**. The degree of bonding, such as the number of bonds per unit area or the bond strength per unit area, can be greater in certain target areas compared to non-target areas. Enhanced bonding in target areas can be

beneficial particularly near the waist and leg openings **50** and **52** to reduce delamination of the fastening components from the side panel material **116**. Thus, the bonding devices **180** can be adapted to create relatively more bonds or stronger bonds between the fastening components **82-85** and the side panel material **116** when the side panel material **116** reaches a particular machine direction **108** location. In one particular embodiment, the target areas correspond to portions of the fastening components **82-85** near the waist edges **38** and **39**. The bonding devices **180** can be registered to provide a relatively higher degree of bonding which begins while disposed on one fastening component (such as **84** in FIG. 7), continues through the region where the product assemblage **113** will subsequently be cut (see cut line **159** in FIG. 7), and ends after being disposed on another fastening component (such as **82**). Alternatively, the bonding devices **180** can destroy engaging elements of the fastening components **82-85** in the target areas, so that the fastening components will be less able to aggressively attach to one another in the target areas.

The strips **118** of side panel material **116** can be trimmed if desired, for example to provide angled and/or curved leg end edges **70** in the back waist region **24** (FIGS. 5 and 6). To this end, the assembly section **100** can include a die cutting roll **182** and a backing roll **184**. In the illustrated embodiment, a portion of each strip **118** is trimmed from the trailing edge **154** (FIG. 7) in order to form the angled and/or curved leg end edges **70** in the back waist region **24**.

The method and apparatus to this point provides a continuous web of interconnected and partially assembled training pants moving in the direction indicated by arrow **108**. This continuously moving product assemblage **113** is passed through a cutter **186** which selectively cuts the web into discrete, partially assembled training pants **102**. Such cutters **186** are generally known to those skilled in the art and can include, for example, the combination of a cutting roll **187** and an anvil roll **188** through which the web travels (FIG. 2). The anvil roll **188** can include a hardened steel rotating roll while the cutting roll **187** can include one or more flexible hardened steel blades clamped onto another rotating roll. The pinching force between the blade on the cutting roll **187** and the anvil roll **188** creates the cut. The cutting roll **187** can have one or more blades depending upon the desired distance between the cuts. The cutter **186** can further be configured to provide a spacing between the individual cut pieces after they are cut. Such a spacing can be provided by transferring the cut pieces away from the cutter at a higher speed than the speed at which the web is provided to the cutter.

The discrete training pants **102** can then be folded at a folding station **200** using any suitable folding mechanism **202** (FIG. 2). The training pants **102** can be folded about a fold line generally bisecting the training pants. As such, the waist regions **22** and **24** of each training pant **102** are positioned in facing relationship with the side panels **34** and **134** extending laterally outward relative to the longitudinal axis **48** of the training pant. The fold line extends in a lateral direction through the crotch region **26** of the training pant. Desirably, each discrete training pant **102** is consistently folded about the fold line such that the front and back waist edges **38** and **39** of the training pant align with each other.

A variety of folding mechanisms **202** can be used, such as blade folders, linear folders, book folders, tucker blades, or the like. The specific type selected for a given application may depend upon the type of garment being manufactured and the type of fastening mechanism used to secure the garment in a pant configuration. An embodiment of a blade folding mechanism **202** adapted for use with garments incorporating refastenable fastening components **82-85** is illustrated in FIGS. 2,

8 and **9**. The illustrated folding mechanism **202** controls the side panels **34** and **134** during folding so that the refastenable fastening components **82-85** are unlikely to engage one another or engage another material during the folding operation. Other arrangements for maintaining separation of the side panels and fastening components during folding are disclosed in U.S. patent application Ser. No. unknown, filed on May 15, 2001 by J. D. Coenen et al. and titled "Folding And Manufacture Of Pants," which is incorporated herein by reference.

The illustrated blade folding mechanism **202** comprises a plurality of rotating folding or tucker blades which are configured to contact the training pant **102** along the fold line. Rotation of the folding blades can force the training pant **102** into a nip **204** between two rotating folding conveyors **206** and **208** causing the training pants to fold about the fold line. The folding conveyors **206** and **208** can form part of a transport system for moving the folded training pants **102** in the machine direction **108**. The folded training pants **102** are illustrated as being transported in the machine direction **108** with the crotch region **26** leading the waist regions **22** and **24**. Alternatively, the process and apparatus could be modified so that the waist regions lead the crotch region (not shown).

With reference to FIGS. 2, **8** and **9**, the series of unfolded, discrete training pants **102** can be transferred from the vacuum anvil roll **188** of the cutter **186** to the upper folding conveyor **206**. The training pants **102** can be held by vacuum on the upper folding conveyor **206** and transported toward the nip **204** formed between the folding conveyors **206** and **208**. While being transported toward the nip **204**, the side panels **34** and **134** can be smoothed out or straightened if desired by various means including fluid stabilizing devices. For example, air knives **215** (FIG. 8), air bars, air nozzles or the like can be mounted in proximity to the upper folding conveyor to provide a stream of fluid directed toward the side panels to stabilize and/or straighten the side panels. The air knives **215** can blow the side panels **34** and **134** against skid plates **216** positioned transversely outward from the upper folding conveyor belt **212**. Alternatively, or in addition thereto, the upper folding conveyor **206** can incorporate fluid stabilizing devices consisting of fluid manifolds operatively connected to a high pressure fluid source to fluidly shake the side panels. The fluid stabilizing devices desirably prevent folding of the side panels **34** and **134** as the training pant **102** moves along the upper folding conveyor **206**. Sensing devices can also be employed at this point to detect products that have folded side panels or that are misaligned relative to the machine center line.

The product folding nip **204** can be formed between a timed vacuum nose roll **218** of the upper folding conveyor **206** and a timed vacuum nose roll **219** of the lower folding conveyor **208** (FIGS. 2 and 8). As the leading edge of a pant **102** is introduced onto the upper nose roll **218**, compressed air can be introduced inside the nose roll to negate vacuum draw of the nose roll. This allows the leading edge of the pant to pass by the nose roll **218** without getting sucked into the nip **204**. Alternatively of course, the vacuum source can be temporarily disconnected (isolated) from the nose roll **218**. Any suitable control system can be used to repeatedly activate and deactivate vacuum operation of the nose rolls **218** and **219**. In particular embodiments, rotary valves can be employed to cycle vacuum to the nose rolls **218** and **219**.

A product control drum **220** can guide the leading half of the training pant **102** onto a transfer plate **222** (FIGS. 2 and 8), which may or may not be curved. The product control drum **220** can comprise a plurality of vacuum pucks **224** which rotate in the direction of arrow **225**. The illustrated product

control drum 220 includes four vacuum pucks 224 to guide four training pants 102 per revolution. Rotation of the product control drum 220 can be timed so that a vacuum puck 224 grabs the leading half of a training pant 102 and transfers the leading edge onto the transfer plate 222. The absorbent chassis 32 and/or side panels 134 of the leading half can be carried on a vacuum puck 224 past the nose roll 219 of the lower folding conveyor 208. Compressed air can be introduced inside this lower nose roll 219 at this point to negate vacuum draw and permit the entire leading edge and side panels 134 to transfer onto the transfer plate 222. Alternatively of course, the vacuum source can be temporarily disconnected (isolated) from the nose roll 219.

With reference to FIG. 9, the folding mechanism 202 can comprise a pair of opposed tucker blades 240 that move in an orbital manner to pass through the vertical path of the training pant 102. The tucker blades 240 can contact the crotch region 26 of the pant 102 and insert the crotch region into the folding nip 204. As this happens, the leading half of the pant 102 reverses direction over the transfer plate 222 and is pulled into the nip 204. The vacuum puck 224 can cease drawing vacuum at this point to release the leading half. Correspondingly, the trailing half of the pant 102 is pulled around the upper nose roll 218. Thus, both halves of the training pant 102 can change from motion in a generally vertical plane to motion between the folding conveyors 206 and 208 in a generally horizontal plane.

The illustrated folding mechanism 202 can maintain separation between the front and back side panels 34 and 134. As the pant 102 enters the folding nip 204, compressed air can be shut off to the upper nose roll 218 so that the side panels 34 of the trailing half are drawn by vacuum to the upper nose roll. The trailing side panels 34 are thus drawn to the upper nose roll 218 and follow its rotation around the roll and over a side panel separation plates 230 (FIGS. 8 and 10). Similarly, as the leading half of the pant 102 is pulled into the folding nip 204, compressed air can be shut off to the lower nose roll 219 so that the side panels 134 of the leading half are drawn by vacuum to the lower nose roll. The leading side panels 134 are thus drawn to the lower nose roll 219 and follow its rotation around the roll and beneath the side panel separation plates 230.

FIG. 10 illustrates a portion of a partially assembled training pant 102 positioned between the upper and lower folding conveyors 206 and 208 at a location downstream of the nose rolls 218 and 219. At this point, the training pant 102 has been folded in half and is being transported in the machine direction 108 by the conveyors 206 and 208. The illustrated folding mechanism 202 can thus maintain the front side panels 34 separated from the back side panels 134 during folding.

Each folding conveyor 206 and 208 as illustrated in greater detail in FIG. 10 can comprise a frame structure 210, a plurality of rotatable pulleys 211 associated with the frame structure, and a continuous belt 212 carried on the pulleys. A drive system and conveyor shaft (not shown) can be used to rotatively drive one or more of the pulleys. The folding conveyors 206 and 208 can comprise vacuum conveyors as are well known in the art, in which case the continuous belt 212 can be formed of a fluid permeable material, such as one having holes. The folding conveyors desirably transport the training pants 102 with the longitudinal center line of the training pants traveling on the longitudinal center line of the conveyors. As depicted, the front and back side panels 34 and 134 can project laterally outward from the frame structure 210, outstretched in the cross-machine direction.

While traveling on the folding conveyors 206 and 208, the side panels 34 and 134 can be smoothed out or straightened if

desired by various means including fluid stabilizing devices (not shown in FIG. 10). Suitable fluid stabilizing devices can comprise air knives, air bars, air nozzles, vacuum nozzles or the like to provide a stream of fluid directed toward or away from the side panels. The fluid stabilizing devices can be incorporated within either or both of the folding conveyors 206 and 208 or can comprise separate devices positioned in proximity to the conveyors. Other suitable mechanisms for smoothing and straightening the side panels 34 and 134 are disclosed in U.S. Pat. No. 5,046,272 issued Sep. 10, 1991 to Vogt et al., which is incorporated herein by reference. The terms "air" and "fluid" are used interchangeably herein to refer to any gaseous substance, for example, air at ambient temperature. Where the specific application permits, the term "fluid" also includes any liquid medium.

As a result of the illustrated folding mechanism 202, the front waist region 22 and front side panel 34 of the partially assembled training pant 102 are disposed above the back waist region 24 and back side panel 134. The first fastening component 83 is disposed on the inner surface 28 of the back waist region 24 and the second fastening component 85 is disposed on the outer surface 30 of the front waist region 22. In the illustrated embodiment, the transverse linear distance between the first fastening components 82 and 83 is the same as the transverse linear distance between the second fastening components 84 and 85. The orientation and/or type of the side panels and the fastening components can of course be varied from that illustrated.

The separation plates 230 can extend in the machine direction 108 to maintain separation between the front and back side panels 34 and 134. The separation plates 230 can comprise a low friction material or coating, such as: stainless steel; teflon; aluminum; ultra-high molecular weight polyethylene (UHMW-PE); polyoxymethylene (acetals), for instance a homopolymer available from E. I. Du Pont de Nemours and Company, Wilmington, Del. USA under the tradename DELRIN; or the like. In particular embodiments, the separation plates 230 can comprise a thin layer of teflon, UHMW-PE, DELRIN or the like glued to a plate formed of steel, aluminum or the like. The separation plates can be mounted using suitable support members 232 (FIG. 10) to either the folding conveyors 206 or 208 or other suitable frame structures (not shown).

From the folding station 200, the continuous stream of discrete, partially assembled and folded training pants 102 enters a seaming section 250, an embodiment of which is shown in FIG. 3. The seaming section 250 can encompass processes and apparatus for controlling the unattached side panels 34 and 134, inverting the fastening components on one pair of side panels, guiding the opposite fastening components into cross-machine direction position with the inverted fastening components, and bonding the fastening components together to form a lap seam. In general, the process and apparatus bend or fold the front or back side panels 34 or 134 approximately 180 degrees using an air flow, solid member, or other suitable device. Additionally, side panel transfer devices 330 can move laterally outward portions of the opposite side panels toward the machine center line so that the fastening components on the opposite side panels are positioned in a corresponding cross-machine direction location as the inverted fastening components. The fastening components can then be brought into contact with one another. In the embodiment shown in FIG. 4, the side panels are refastenably bonded together using mating mechanical fastening components 82-85, although other fastening mechanisms can also be used. The seaming section 250 can thus convert the partially assembled and folded training pants 102 into prefastened

25

training pants **20** each having a waist opening **50** and a pair of leg openings **52** (FIG. 4). The illustrated seaming section **250** could of course be inverted so that the lower side panel forms the inner side panel of the lap seam (not shown). From the seaming section **250**, the training pants **20** can be processed through various finishing stations **254**, for operations such as side panel tucking, packaging, or the like.

The partially assembled training pants **102** can be transported in the machine direction **108** through the seaming section **250** by a transport system, such as conveyors. In the illustrated embodiment, the training pants **102** are transferred from the upper and lower folding conveyors **206** and **208** (FIGS. 2 and 8-10) to upper and lower alignment conveyors **256** and **258** (FIGS. 3 and 11-18). As illustrated, the upper alignment conveyor **256** can comprise a frame structure **260**, one or more vacuum chambers **262** defined within the frame structure, one or more vacuum cover plates **264** mounted on the frame structure and one or more continuous fluid-permeable belts **266** carried on a plurality of rotatable pulleys **268** (FIGS. 3, 11 and 15) or other suitable devices. Similarly, the lower alignment conveyor **258** can comprise a frame structure **270**, a vacuum chamber **272** defined within the frame structure, a vacuum cover plate **274** mounted on the frame structure and a continuous fluid-permeable belt **276** carried on a plurality of rotatable pulleys **278** (FIGS. 3, 11 and 15) or other suitable devices. The vacuum cover plates **264** and **274** and related equipment can be adjustable if desired to accommodate various product sizes. A drive system and conveyor shaft (not shown) can be used to rotatively drive one or more of the pulleys **268** and **278**. The vacuum chambers **262** and **272** can be operatively connected to a source of vacuum (not shown) and the vacuum cover plates **264** and **274** can be provided with a plurality of holes **269** and **279**, respectively. Suitable conveyor mechanisms such as vacuum conveyors or non-vacuum conveyors are available from various commercial vendors. The transport system can comprise any means to convey the folded products.

Formation of the side panel lap seam will be described in greater detail with reference to FIGS. 11-20. FIGS. 11 and 15 show enlarged side views of portions of the seaming section **250**. FIGS. 12-14 and 16-18 illustrate section views of a portion of a training pant **102** positioned within the seaming section **250** at a series of continually advancing positions. In the illustrated embodiment, the front side panels **34** carrying the second fastening components **84** and **85** (**85** shown) form the interior side panel of the lap seam, and the back side panels **134** carrying the first fastening components **82** and **83** (**83** shown) form the exterior side panel of the lap seam. The description will focus on the formation of a lap seam and bonding the side panels **34** and **134** together on one side of the training pant **102**, although it should be recognized that a lap seam can be formed on the other side of the training pant in a similar manner. The refastenable seams **88** can be formed simultaneously or sequentially on the right and left sides of the pant **102**.

For purposes of the present invention, the first fastening components **82** and **83** will be referred to as the initially inward-facing fasteners **82** and **83** because they are positioned between the corresponding left or right side panels when the product is folded in half but prior to formation of the lap seam, and the second fastening components **84** and **85** will also be referred to herein as the initially outward-facing fasteners **84** and **85** because they are on a surface of a side panel that faces away from the other side panel when the product is folded in half but prior to formation of the lap seam. In an alternative embodiment, the training pant **102** could be processed through the seaming section **250** in an inside-out

26

arrangement, in which case the first fastening components **82** and **83** would be considered the initially outward-facing fasteners and the second fastening components **84** and **85** would be considered the initially inward-facing fasteners (not shown).

FIG. 12 illustrates the training pant **102**, positioned between the upper and lower alignment conveyors **256** and **258** at a location downstream of the location illustrated in FIG. 10. As shown in FIG. 12, the initially outward-facing fasteners **84** and **85** face the upper alignment conveyor **256**. The upper alignment conveyor **256**, as illustrated, can have an operative width that is narrower than the full product width. More specifically, the outermost holes **269** of the upper vacuum cover plate **264** can be positioned at locations which corresponds in the cross machine direction with portions of the side panels **34** that are slightly inward from the initially outward-facing fasteners **84** and **85**. Alternatively, at least at the machine direction location depicted in FIGS. 12 and 13, the upper alignment conveyor **256** could comprise a full width vacuum conveyor, wherein the full width of the waist region of the training pant **102** can be held by vacuum against the upper conveyor belt **266**. The upper alignment conveyor **256** can operate over a range of vacuum, for example, a vacuum of about 2 inches of water or greater below atmospheric pressure.

The lower alignment conveyor **258** can be relatively narrow compared to the upper alignment conveyor **256** and can have a width, for example, equal to the width of the absorbent chassis **32**, which permits the back side panels **134** to extend laterally beyond the lower alignment conveyor. In one particular embodiment, the width of the lower alignment conveyor **258** generally corresponds to the distance between the seams **66** (FIGS. 5-6) which bond the side panels **34** and **134** to the absorbent chassis **32**. The level of vacuum is preferably sufficient to maintain the waist regions **22** and **24** on their respective alignment conveyors, as the waist regions may not be pinched between the conveyors. Vacuum control of the waist regions will improve positioning and alignment of the side panels **34** and **134**. The lower alignment conveyor **258** can operate over a range of vacuum, for example, a vacuum of about 2 to about 8 inches of water or greater below atmospheric pressure.

At the location illustrated in FIG. 12, the back side panels **134** are disposed laterally outward from the lower alignment conveyor **258**. The initially inward-facing fasteners **82** and **83** (**83** shown) are disposed on the back side panels **134** facing the front side panels **34**. The back side panels **134** can be smoothed out or straightened in the seaming section **250** if desired by various means including fluid stabilizing devices. In the illustrated embodiment, the back side panels **134** can be outstretched in the cross machine direction and held in that position by side panel transfer devices **330**.

FIG. 13 illustrates the training pant **102**, between the upper and lower alignment conveyors **256** and **258** at a location downstream of the location illustrated in FIG. 12. The back waist region **24** can continue to be transported in the machine direction **108** by the lower alignment conveyor **258** with the back side panels **134** being held and transported in the machine direction by the side panel transfer devices **330**. At this point in the seaming section **250**, folding guides **267** can be introduced and the conveyors **256** and **258** can be spaced apart a sufficient distance to permit 180 degree inward folding of the initially outward-facing fasteners **84** and **85** (**85** shown). The gap between the conveyors **256** and **258** may depend upon the size of the initially outwardly-facing fasteners **84** and **85**, and can be, for example, about 2 centimeters.

The distance between the alignment conveyors **256** and **258** can be constant or can vary over the machine direction length of the conveyors.

At the machine direction locations illustrated in FIGS. **13** and **14**, the upper alignment conveyor **256** can have an operative vacuum width that is less than the full width of the training pant **102** in the front waist region **22**, and less than or equal to the distance between the initially outward-facing fasteners **84** and **85**. At these locations, the laterally outward portions of the front side panels **34** that include the initially outward-facing fasteners **84** and **85** are not held by vacuum to the upper alignment conveyor. The width of vacuum drawn by the upper alignment conveyor **256** can be modified to accommodate different size products. The width of the upper alignment conveyor **256** can be adjusted by various means, including varying the pattern of holes **269** in the vacuum cover plate **264** or utilizing multiple independent vacuum chambers (not shown).

The upper alignment conveyor **256** can provide a uniform or nonuniform vacuum profile in the cross machine direction. In particular embodiments, the upper alignment conveyor **256** can draw a nonuniform vacuum in the cross-machine direction. Specifically, the upper alignment conveyor **256** can draw a concentrated vacuum at laterally outward regions as well as some area of vacuum in a central region disposed between the laterally outward regions. The laterally outward regions can be positioned such that they correspond to locations of the front side panels **34** immediately laterally inward from the locations of the initially outward-facing fasteners **84** and **85**. The concentrated vacuum adjacent the inside edge of the initially outward-facing fasteners **84** and **85** can encourage the inside edge of the fasteners **84** and **85** to function as a hinge point for folding. The concentrated vacuum can be formed by a plurality of slots or an increase in the number of apertures in the vacuum cover plate **264**, by separate vacuum chambers, or the like. The focused vacuum in the central region can reduce energy consumption and lessen draw of the back side panels **134** toward the upper alignment conveyor **256**.

At the machine direction location illustrated in FIG. **14**, each folding guide **267** can narrow to a finger to form a guide for a consistent fold. Thus each folding guide **267** can have a relatively wider portion at the upstream end and a relatively narrower finger extending downstream from the wider portion in a cantilevered configuration. The fingers can act as a hinge point for folding.

In the orientation illustrated in FIG. **14**, the laterally outward portions of the front side panel **34**, including the initially outward-facing fasteners **84** and **85**, tend to drop from gravity away from the upper alignment conveyor **256**. Nonetheless, a mechanical or fluid assist or other panel folding device **320** can be used to inwardly fold the laterally outward portions of the front side panels **34**, including the initially outward-facing fasteners **84** and **85**, through approximately 180 degrees. Panel folding devices **320** can also be employed in alternative product orientations, for example, where the initially outward-facing fasteners are facing downward (not shown) and folding must overcome gravity. In either case, the panel folding devices **320** can assist or can inwardly fold the front side panels **34** onto themselves such that the initially outward-facing fasteners **84** and **85** are facing the opposite side panels **134** and opposite waist region **24**. As noted by comparing FIGS. **12** and **16**, inward folding of the side panels **34** can cause the initially outward-facing fasteners **84** and **85** (**85** shown) to move laterally inward and be positioned closer to the training pant longitudinal center line and the machine center line.

The panel folding device **320** can comprise, for example, one or more air nozzles (FIG. **14**) to blow the laterally outward portions of the front side panels **34**, including the initially outward-facing fasteners **84** and **85**, to a horizontal orientation directed toward the center line of the upper alignment conveyor **256**. The panel folding device **320** can operate on a continuous or timed intermittent basis, and can progressively fold the side panels **34** or fold the side panels as a single unit. The panel folding device **320** can alternatively comprise other mechanisms for creating a suitable force to fold or assist to fold the front side panels **34**. The panel folding device **320** can alternatively comprise, for example, folding boards or skis which fold the top panel over 180 degrees; a helical surface that pushes the front side panels into the folded configuration; or the like. Once folded inward, the side panels **34** can continue to travel in the machine direction **108** in contact with the folding guides **267**. Alternatively, the folding guides **267** can end and the laterally outward portions of the side panels may be drawn toward the upper alignment conveyor **256** by vacuum operating through the folded side panels. In such embodiments, the front side panels **34** will be held by vacuum in a folded configuration.

Use of the terms “vertical” and “horizontal” and variations thereof have their usual meaning, however, the present invention contemplates that vertical surfaces can be “generally vertically” disposed if desired and would thus be oriented between the true vertical position and about a 45 degree position relative to the true vertical position. The same interpretation for “generally horizontally” disposed means an orientation between the true horizontal and about a 45 degree position relative thereto. The terms “upper” and “lower” are provided for ease of understanding, and it should be recognized that the spatial arrangement of the elements being described could be inverted or arranged in another manner.

As the training pants **102** move in the machine direction **108**, the back side panels **134** can be transferred to side panel transfer devices **330** (FIGS. **3** and **11-20**). As depicted in FIGS. **16-18**, the side panel transfer devices **330** can elevate the laterally outer portions of the back side panels **134**, including the initially inward-facing fasteners **82** and **83** (**83** shown), relative to the lower alignment conveyor **258**. More specifically, the alignment conveyors **256** and **258** define therebetween at a specific machine direction location a pant transport plane in which the training pants **102** are carried. The side panel transfer devices **330** carry the side panels on a side panel transport path which is angled with respect to the pant transport plane at such specific machine direction location, so that the pant transport plane and the side panel transport path intersect one another. Consequently, the side panel transfer devices **330** move portions of the back side panels **134** in a “z-direction” perpendicular to the pant transport plane. In doing so, the initially inward-facing fasteners **82** and **83** can move laterally inward toward the center line of the lower alignment conveyor **258** and toward the longitudinal center line of the training pants **102**. With further elevation, the side panel transfer devices **330** can also form a nip with the upper alignment conveyor **256** to engage the fastening components **82-85** (see FIG. **18**).

As illustrated, the side panel transfer devices **330** can comprise vacuum conveyors which elevate the bottom side panel **134** toward the upper alignment conveyor **256**. For purposes of the present invention, the side panel transfer devices **330** are said to be angled toward the pant transport plane at downstream machine direction locations, when the side panel transport path advances closer to the operative surface of at least one alignment conveyor at further downstream positions. The side panel transfer devices **330** can comprise, for

example, frame structures **332**, a plurality of rotatable pulleys **334** (FIGS. **11** and **15**) associated with the frame structures, vacuum chambers **336** defined within the frame structures, vacuum cover plates **338** mounted on the frame structures, and continuous belts **340** carried on the pulleys. A drive mechanism and conveyor shaft (not shown) can be used to rotatively drive one or more of the pulleys **334**. The side panel transfer devices **330** can be aligned parallel to the machine direction of the lower alignment conveyor **258** or can be canted inward or outward, for example, to improve side panel alignment with the machine direction.

FIGS. **19** and **20** isometrically and schematically illustrate a back side panel **134** at a sequence of positions on a side panel transfer device **330**. The positions are labeled **134-A**, **134-B** and **134-C** in FIG. **20** in order of advancement in the machine direction **108**. With the lower alignment conveyor **258** holding the central portion of the training pant **102** and, in particular the absorbent chassis **32**, against the conveyor belt **276** (not shown in FIG. **19** or **20**), the laterally outward portions of the back side panel **134** advance transversely inward as the back side panel **134** is elevated from the plane of the lower alignment conveyor **258** by the upwardly inclined side panel transfer device **330**. In effect, the back side panel **134** can be allowed to gradually slip partly off the inward edge **342** of the side panel transfer device **330**, desirably to the point where the position of the initially inward-facing fastener **83** is aligned in the cross-machine direction with its corresponding initially outward-facing fastener **85** (see FIG. **18**). Because relative movement of the back side panels **134** and the lower alignment conveyor **258** generates transversely inward movement of the initially inwardly-directed fasteners **82** and **83**, the back side panels **134** could alternatively be maintained at a constant horizontal position on the side panel transfer devices **330** while the lower alignment conveyor **258** is angled away from the side panel transfer devices.

In particular embodiments, the lower alignment conveyor **258** can maintain the full width of the absorbent chassis **32** in contact with the conveyor belt. Maintaining the full width of the absorbent chassis **32** on the conveyor belt can prevent skewing of the back side panels **134** as they are lifted and can provide maximum inward movement of the fasteners **82** and **83** for a given amount of vertical lift. Tucking guides **277** can be introduced if needed to assist in holding the back side panels **134**. Tucking guides **277** can be particularly useful with embodiments where the lower alignment conveyor **258** provides less than full width vacuum. With reference to FIGS. **16**, **17** and **19**, the illustrated tucking guides **277** are mounted on the side panel transfer devices **330** and define cantilevered arms **280**. As best seen by comparing FIGS. **16** and **17**, the arms **280** can be mounted at an angle relative to the side panel transport path defined by the side panel transfer devices **330**. The arms **280** can be mounted parallel to the pant transport plane, such that the arms can maintain the position of interior portions of the back side panels **134** as the side panel transfer devices **330** lift exterior portions of the back side panels. The arms **280** can extend further downstream, for example to or past the point of engagement of the fastening components (FIG. **18**), if desired.

The amount of z-direction movement and cross-machine direction movement of portions of the side panels will depend on several factors, including relative width and positioning of the side panels, the size of the fastening components, the spacing between the side panel transfer devices **330** and the alignment conveyors, the width of vacuum on the alignment conveyors, the location of side panel folding if employed, the use of tucking guides **277**, and the like. By way of illustration,

the initially inward-facing fastener **83-84** in one embodiment can be elevated approximately 50 millimeters from the plane of the lower alignment conveyor **258** to provide approximately 20 millimeters of inward movement toward the longitudinal center line of the training pant **102**.

Again with reference to FIG. **18**, toward the downstream end of the side panel transfer devices **330**, the initially inward-facing fasteners **82** and **83** (**83** shown) can be moved transversely inward to a position which corresponds to the cross-machine position of the initially outward-facing fastener **84** and **85** (**85** shown). Additionally, the initially inward-facing fasteners **82** and **83** can be lifted into close proximity and desirably into engagement with the initially outward-facing fasteners **84** and **85**. The spacing between the downstream ends of the side panel transfer devices **330** and the upper alignment conveyor **256** can be adjusted to control the level of engagement between the fasteners **82-85**. In particular, downstream rolls **334** (FIG. **15**) of the side panel transfer devices **330** can be positioned to nip the fasteners together. The illustrated side panel transfer devices **330** can provide progressive inward motion on the full width of the bottom side panels **134** and progressive attachment in the machine direction of the fastening components **82-85**.

The side panel transfer devices **330** can be positioned at the same machine direction **108** location in the seaming section **250**. Alternatively, the side panel transfer devices **330** can be staggered in the machine direction **108** to allow for cross-machine direction movement-control devices or operations used in combination with a single side panel transfer device. The cross-machine direction movement-control devices or operations can comprise any suitable devices or operations which maintain cross-machine direction control of the training pant **102** during operation of the side panel transfer device.

An alternative embodiment of the method and apparatus for making a training pant **102** are illustrated in FIGS. **21-24**. First and second fastening components **400** and **401** are disposed on respective first and second integral side panels **402** and **403**. The first fastening component **400** comprises a distal region of the first side panel **402** which is engageable with the second fastening component **401**. The second fastening component **401** as illustrated was previously inverted and can be held in place by the upper alignment conveyor **256**. As the training pant **102** is transported in the machine direction, the first side panel **402** can be positioned on and can slide over a guide plate **406**, which is curved in the machine direction and formed of a suitable low friction material.

FIG. **22** illustrates the training pant **102** between the upper and lower conveyors **256** and **258** at a location downstream of the location illustrated in FIG. **21**. The first side panel **402** is caused to remain in close proximity to or contact with the curved guide plate **406**. Tucking guides, air nozzles, or other suitable devices (not shown) can be used to assist in holding the first side panel **402** against the guide plate **406**. For example, an air bar (not shown) can be disposed between the conveyors **256** and **258** from the position illustrated in FIG. **21** through the position illustrated in FIG. **23** to direct air toward the first side panel **402**.

With the lower alignment conveyor **258** holding the central portion of the training pant **102** against the conveyor belt **276**, the laterally outward portions of the first side panel **402** advance transversely inward as the first side panel **400** is shaped on the curved guide plate **406**. In particular embodiments, the curvature of the guide plate **406** can be determined so that the first fastening component **400** is inwardly repositioned to the point where the first fastening component is aligned in the cross-machine direction with its corresponding

second fastening component **401**. The fastening components **400** and **401** are shown aligned in the cross-machine direction in FIG. **23**.

As further depicted in FIG. **23**, the first side panel **402** can be transitioned from the curved guide plate **406** onto a side panel transfer device **330**. The side panel transfer device **330** can be constructed in the same manner as previously described and thus is not shown in detail. With additional reference to FIG. **24**, the side panel transfer device **330** can elevate the laterally outer portions of the first side panel **402** toward the second side panel **404**. In particular, the side panel transfer device **330** can define a side panel transport path which is angled with respect to the pant transport plane, so that the first fastening component **400** can be transported in the z-direction into proximity to or engagement with the second fastening component **401**. Tucking guides (see FIG. **19**) can be disposed between the conveyors and in contact with the first side panel **402** from the position illustrated in FIG. **23** through the position illustrated in FIG. **24**. Because the desired cross-machine direction position of the first fastening component **400** had previously been established (FIGS. **21-23**), the first side panel **402** can be maintained at a constant cross-machine direction position while the pant **102** is transported in the machine direction and the side panel resides on the side panel transfer device **330**.

The side panel transfer devices **330** can alternatively comprise other devices for sequentially or simultaneously affecting upward and inward relative movement of the laterally outward portions of the back side panel **134** and the initially inward-facing fasteners **82** and **83** disposed thereon. By way of illustration, suitable side panel transfer devices **330** can alternatively comprise disks or wheels, either aligned in the machine direction **108** or canted and/or tilted relative thereto so that the disks or wheels raise the side panels and nip the fasteners together. Suitable wheel devices can, but need not, be timed elliptical wheels, and can comprise vacuum or traction surface wheels or the like. Still alternatively, the side panel transfer devices **330** can comprise 4-bar linkage mechanisms carrying a panel engagement head which contacts the back side panel **134** to raise the panel relative to the plane of the lower alignment conveyor **258**. The rotary motion provided by the 4-bar linkage can allow the panel engagement head to raise a back side panel **134** relative to the lower alignment conveyor **258**, with the back side panel being allowed to slip off the inward edge of the panel engagement head. A drive mechanism for the 4-bar linkage can be programmed to vary the angular velocity of the panel-engagement head such that its velocity in the machine direction **108** matches the speed of the back side panel **134** while the panel-engagement head is in contact with the back side panel. Alternatively, the angular velocity of the panel-engagement head can be matched with the velocity of the side panel using a cam gearbox, non-circular gearing, or the like. Such devices could further comprise a feedback system to register the panel-engagement head to the back side panel **134**. In yet another alternative embodiment, the side panel transfer devices **330** can comprise folding boards or folding skis to provide sequential or simultaneous inward and upward relative movement of the laterally outward portions of the back side panels **134** and the inwardly directed fasteners **82** and **83**.

In the illustrated process, the initially outward-facing fasteners **84** and **85** are directed upward against an upper alignment conveyor **256**. Alternatively, the process could be inverted such that the initially outward-facing fasteners **84** and **85** are directed downward against a lower fastener conveyor or surface (not shown). As mentioned above, the laterally outward portions of the side panels which carry the

initially outward-facing fasteners may need mechanical or fluid assist to initiate inward folding. Additionally, other changes, as will readily be apparent to those skilled in the art, may be required, such as changes to the width of the conveyors, orientation of fluid devices, and insertion of skid plates to maintain the position of side panels.

Thus, the methods and apparatus disclosed herein can provide precise lap seams at high-speeds in garments such as training pants **20**. From folded products having side panels with both initially outward-facing fasteners and initially inward-facing fasteners, the side panels can be separated to provide clearance for inward folding of one pair of side panels, the side panels with the initially outward-facing fasteners can be inwardly folded 180 degrees, and the initially inward-facing fasteners can be moved transversely inward to the position of the previously folded, initially outward-facing fasteners. It will be appreciated that details of the foregoing embodiments, given for purposes of illustration, are not to be construed as limiting the scope of this invention. Although only a few exemplary embodiments of this invention have been described in detail above, those skilled in the art will readily appreciate that many modifications are possible in the exemplary embodiments without materially departing from the novel teachings and advantages of this invention. For example, features described in relation to one embodiment may be incorporated into any other embodiment of the invention. Accordingly, all such modifications are intended to be included within the scope of this invention, which is defined in the following claims and all equivalents thereto. Further, it is recognized that many embodiments may be conceived that do not achieve all of the advantages of some embodiments, particularly of the preferred embodiments, yet the absence of a particular advantage shall not be construed to necessarily mean that such an embodiment is outside the scope of the present invention.

We claim:

1. An apparatus, comprising:

first and second conveyors each having a generally planar pants-facing portion adapted to transport along a linear path a stream of discrete, partially assembled and folded pants sandwiched between the conveyors in a machine direction, the conveyors defining a machine center line extending in the machine direction and the pants-facing portions defining a pant transport plane; and side panel transfer devices transversely outward from the machine center line, each side panel transfer device defining a linear side panel transport path which intersects the pant transport plane.

2. The apparatus of claim 1, wherein the side panel transfer devices are angled toward the pant transport plane at downstream machine direction locations.

3. The apparatus of claim 1, wherein the side panel transfer devices are angled away from the pant transport plane at downstream machine direction locations.

4. The apparatus of claim 1, wherein the side panel transfer devices and one of the first and second conveyors come together to define a nip therebetween.

5. The apparatus of claim 1, further comprising folding guides disposed transversely outward from the machine center line and in close proximity to the first conveyor, wherein the side panel transfer devices are transversely outward from the second conveyor.

6. The apparatus of claim 5, further comprising panel folding devices in close proximity to the folding guides.

7. The apparatus of claim 1, wherein the side panel transfer devices comprise vacuum conveyors.

8. The apparatus of claim 1, wherein the side panel transfer devices are [aligned in the machine direction parallel to the machine center line] disposed laterally adjacent one of said first and second conveyors.

9. The apparatus of claim 1, wherein the side panel transfer devices are canted inward or outward with respect to the machine center line.

10. The apparatus of claim 1, further comprising tucking guides disposed between one of the conveyors and the side panel transfer devices.

11. The apparatus of claim 1, wherein the first conveyor is relatively wider than the second conveyor, and the side panel transfer devices are disposed transversely outward from the second conveyor.

12. The apparatus of claim 8, wherein the side panel transfer devices are laterally spaced from said one of said first and second conveyors.

13. The apparatus of claim 7, wherein the vacuum conveyors of the side panel transfer devices are separate from the first and second conveyors.

14. The apparatus of claim 13, wherein the vacuum conveyors of the side panel transfer devices are spaced from the first and second conveyors.

15. The apparatus of claim 14, wherein the vacuum conveyors of the side panel transfer devices are laterally spaced from the first and second conveyors.

16. The apparatus of claim 14, wherein the vacuum conveyors of the side panel transfer devices are laterally spaced from the second conveyor.

17. The apparatus of claim 16, wherein the first conveyor is wider than the second conveyor.

18. The apparatus of claim 1, wherein the side panel transfer devices are angled upward toward the pant transport plane.

19. The apparatus of claim 18, wherein the pant transport plane is generally horizontal.

20. The apparatus of claim 1, wherein the side panel transfer devices are angled upward toward the first conveyor.

21. The apparatus of claim 20, wherein each of the side panel transfer devices comes together with the first conveyor to define a nip.

22. The apparatus of claim 21, wherein at least a portion of the first conveyor is generally horizontal, the side panel transfer devices coming together with the generally horizontal portion of the first conveyor.

23. The apparatus of claim 1, wherein one of the first and second conveyors is adapted to transport a pair of side panels of a pant.

24. The apparatus of claim 23, wherein the first conveyor has two transport portions, each of the transport portions being adapted to transport one of the side panels of the pant.

25. The apparatus of claim 24, wherein each of the transport portions of the first conveyor and a respective one of the side panel transfer devices come together to define a nip.

* * * * *