

US00RE45211E

(19) **United States**  
(12) **Reissued Patent**  
**McFarland et al.**

(10) **Patent Number:** **US RE45,211 E**  
(45) **Date of Reissued Patent:** **\*Oct. 28, 2014**

(54) **SURFACE SENSING DEVICE WITH OPTICAL SENSOR**

(56) **References Cited**

U.S. PATENT DOCUMENTS

(71) Applicant: **Renishaw PLC**, Gloucestershire (GB)

3,869,799 A 3/1975 Neuer et al.

(72) Inventors: **Geoffrey McFarland**,  
Wotton-under-Edge (GB); **Kevyn Barry**  
**Jonas**, Bristol (GB)

4,574,199 A 3/1986 Pryor

4,792,698 A 12/1988 Pryor

4,870,631 A 9/1989 Stoddard

4,892,407 A 1/1990 McMurtry et al.

4,934,065 A 6/1990 Hajdukiewicz et al.

5,040,306 A 8/1991 McMurtry et al.

5,103,572 A 4/1992 Ricklefs

(73) Assignee: **Renishaw PLC**, Wotton-Under-Edge (GB)

(Continued)

(\*) Notice: This patent is subject to a terminal disclaimer.

FOREIGN PATENT DOCUMENTS

(21) Appl. No.: **13/708,775**

CN A-1051786 5/1991

CN A-1457422 11/2003

(22) Filed: **Dec. 7, 2012**

(Continued)

OTHER PUBLICATIONS

**Related U.S. Patent Documents**

Reissue of:

International Search Report issued in International Patent Application No. PCT/GB2006/001534; mailed Jul. 4, 2006.

(64) Patent No.: **7,847,955**  
Issued: **Dec. 7, 2010**  
Appl. No.: **11/918,524**  
Filed: **Oct. 15, 2007**

(Continued)

*Primary Examiner* — Sang Nguyen

(74) *Attorney, Agent, or Firm* — Oliff PLC

(30) **Foreign Application Priority Data**

(57) **ABSTRACT**

Apr. 26, 2005 (GB) ..... 0508388.6

(51) **Int. Cl.**  
**G01B 11/00** (2006.01)  
**G01B 5/00** (2006.01)  
**G01N 21/86** (2006.01)

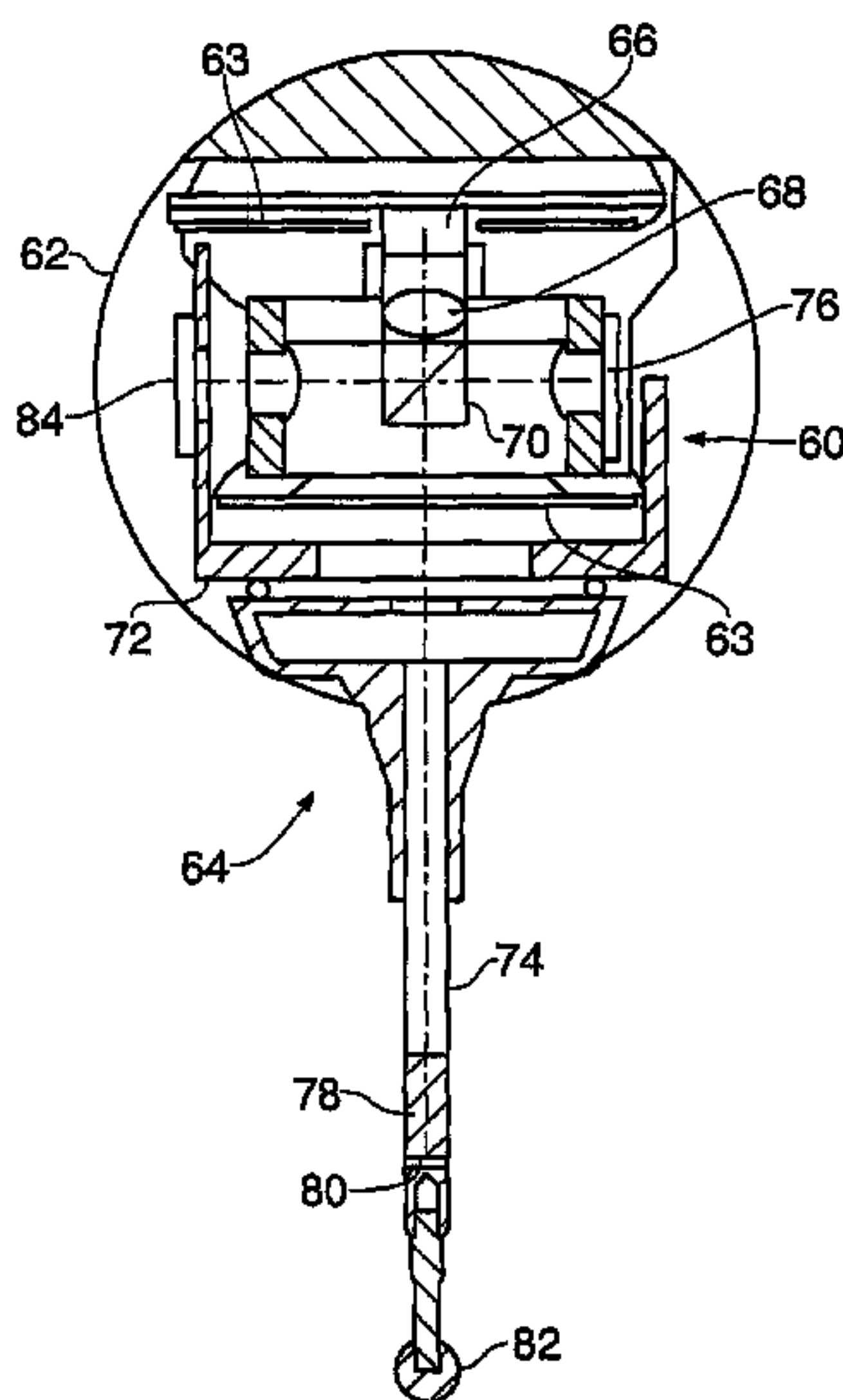
A surface sensing device for use in position determining apparatus has an elongate stylus (74) with a tip (82) for scanning the surface of a workpiece to be measured. Lateral displacements of the stylus tip are detected by a light beam which passes along the stylus from a light source (66) to a retroreflector (78). This reflects the beam back via a beamsplitter (70) to a position sensitive detector (76). The stylus is mounted for longitudinal displacement on a carriage (72). The longitudinal displacement is measured by another light beam projected by the beamsplitter (70) onto a second position sensitive detector (84).

(52) **U.S. Cl.**  
USPC ..... **356/614**; 250/559.29; 33/559

(58) **Field of Classification Search**  
USPC ..... 356/614–616, 622; 250/559.29, 559.44,  
250/227.13, 227.11, 216; 33/559, 556,  
33/502–504

See application file for complete search history.

**31 Claims, 6 Drawing Sheets**



(56)

References Cited

FOREIGN PATENT DOCUMENTS

U.S. PATENT DOCUMENTS

5,118,956 A 6/1992 Dunning et al.  
 5,152,072 A 10/1992 McMurtry et al.  
 5,209,131 A 5/1993 Baxter  
 5,212,873 A 5/1993 McMurtry  
 5,222,304 A 6/1993 Butler  
 5,327,657 A \* 7/1994 Hajdukiewicz et al. .... 33/503  
 5,334,918 A \* 8/1994 McMurtry et al. .... 318/568.16  
 5,357,684 A 10/1994 Lindner et al.  
 5,390,423 A 2/1995 Butter et al.  
 5,390,424 A 2/1995 Butter et al.  
 5,509,211 A 4/1996 Ernst  
 5,517,124 A 5/1996 Rhoades et al.  
 5,659,969 A 8/1997 Butler et al.  
 5,825,666 A 10/1998 Freifeld  
 6,014,816 A 1/2000 Matsumiya et al.  
 6,344,656 B1 2/2002 Hopkins et al.  
 6,430,833 B1 8/2002 Butter et al.  
 6,477,784 B2 11/2002 Schroeder et al.  
 6,546,643 B2 4/2003 Lotze et al.  
 6,633,051 B1 10/2003 Holloway et al.  
 6,651,351 B1 11/2003 Christoph et al.  
 6,683,780 B2 1/2004 Thomas et al.  
 6,789,327 B2 9/2004 Roth et al.  
 7,124,514 B2 10/2006 McMurtry et al.  
 7,127,825 B2 10/2006 McMurtry et al.  
 7,316,076 B2 1/2008 Ruijl et al.  
 7,456,538 B2 11/2008 Nai et al.  
 7,603,789 B2 10/2009 Hellier et al.  
 2005/0000102 A1 1/2005 Christoph et al.

EP 0 373 644 A1 6/1990  
 EP 0 415 579 A1 3/1991  
 EP 0 566 719 B1 10/1993  
 EP 0 544 854 131 9/1996  
 EP 0 544 854 B1 9/1996  
 JP U-3-61505 6/1991  
 JP A-05-010745 1/1993  
 JP A-05-060542 3/1993  
 JP 0 566 719 B1 10/1993  
 JP A-07-167620 7/1995  
 JP A-11-304463 11/1999  
 JP A-2000-193449 7/2000  
 JP A-2000-304529 11/2000  
 JP A-2002-503339 1/2002  
 JP A-2005-098936 4/2005  
 WO WO 2004/040232 A1 5/2004

OTHER PUBLICATIONS

Dec. 19, 2011 Chinese Office Action issued in corresponding Chinese Application No. 200680014249.1 (with translation).  
 SP25M Scanning Brochure. Renishaw PLC.  
 SP25M Technical Paper. Renishaw PLC.  
 SP600 Brochure. Renishaw PLC.  
 SP600 Installation Guide. Renishaw PLC.  
 SP600Q in-quill scanning probe, Renishaw PLC.

\* cited by examiner

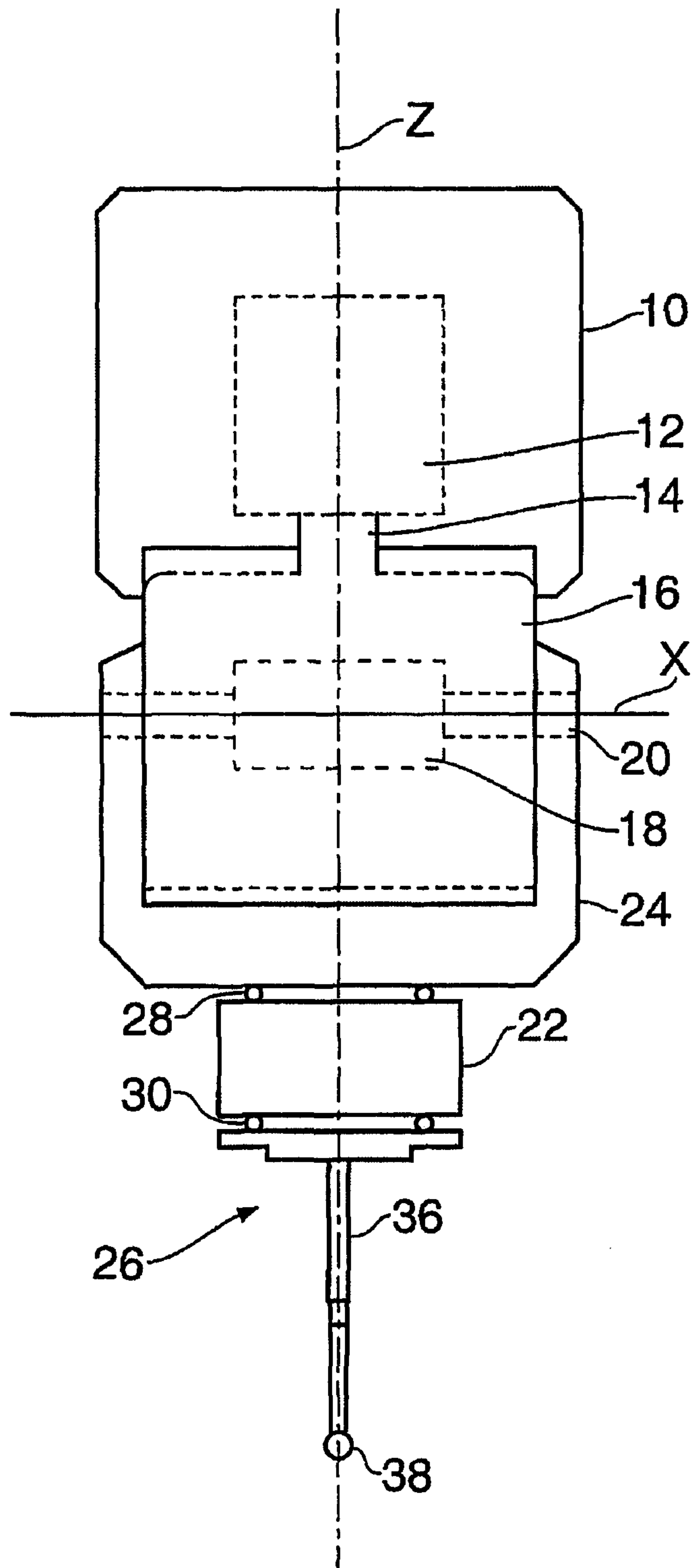


Fig. 1

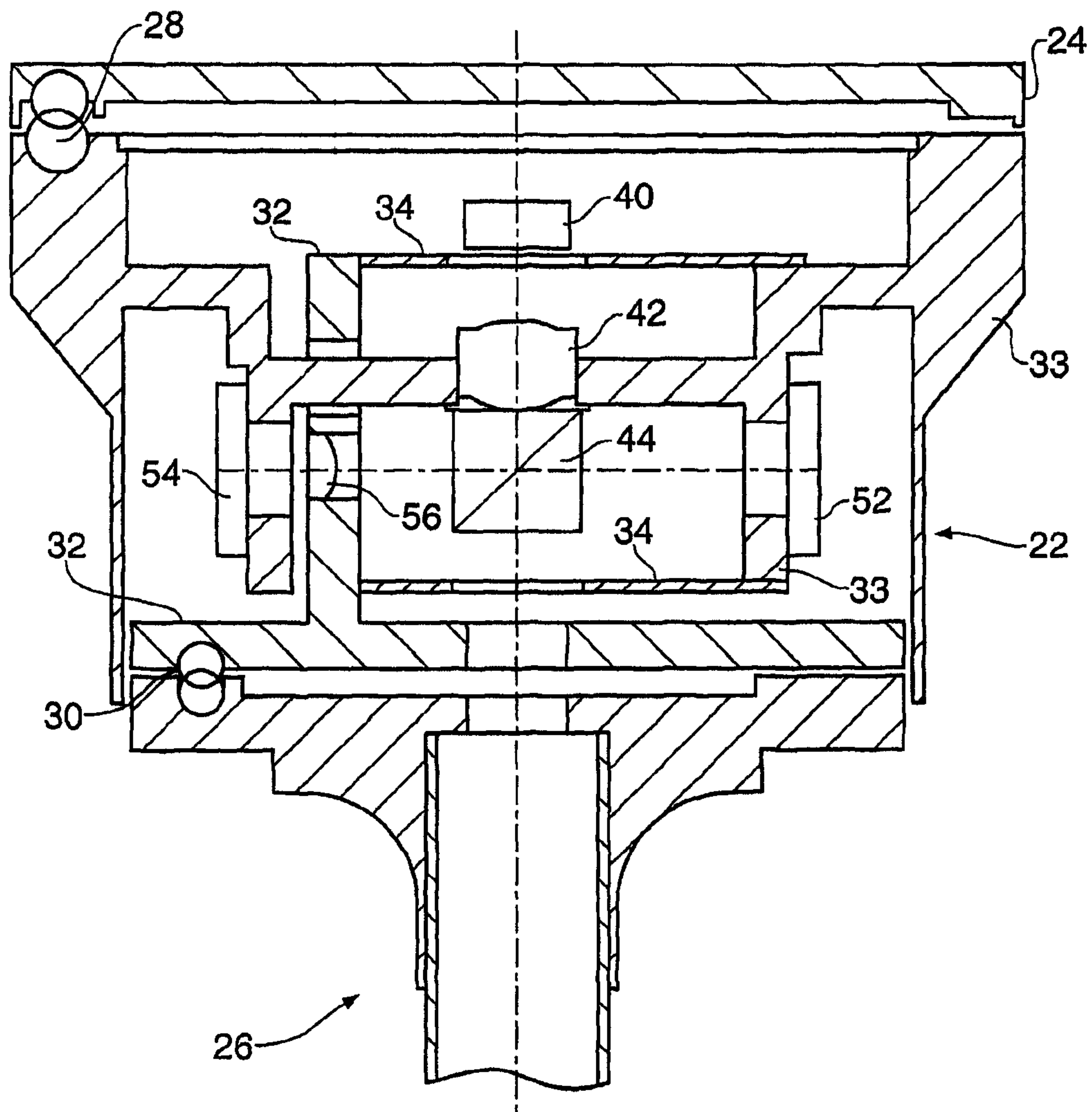


Fig. 2A

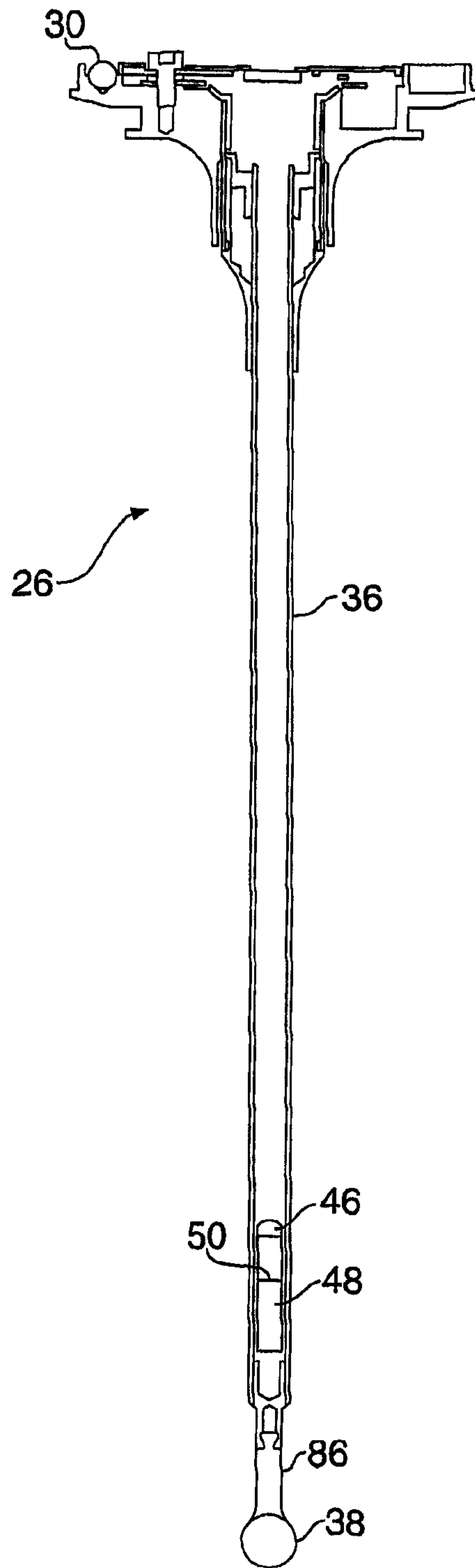


Fig. 2B



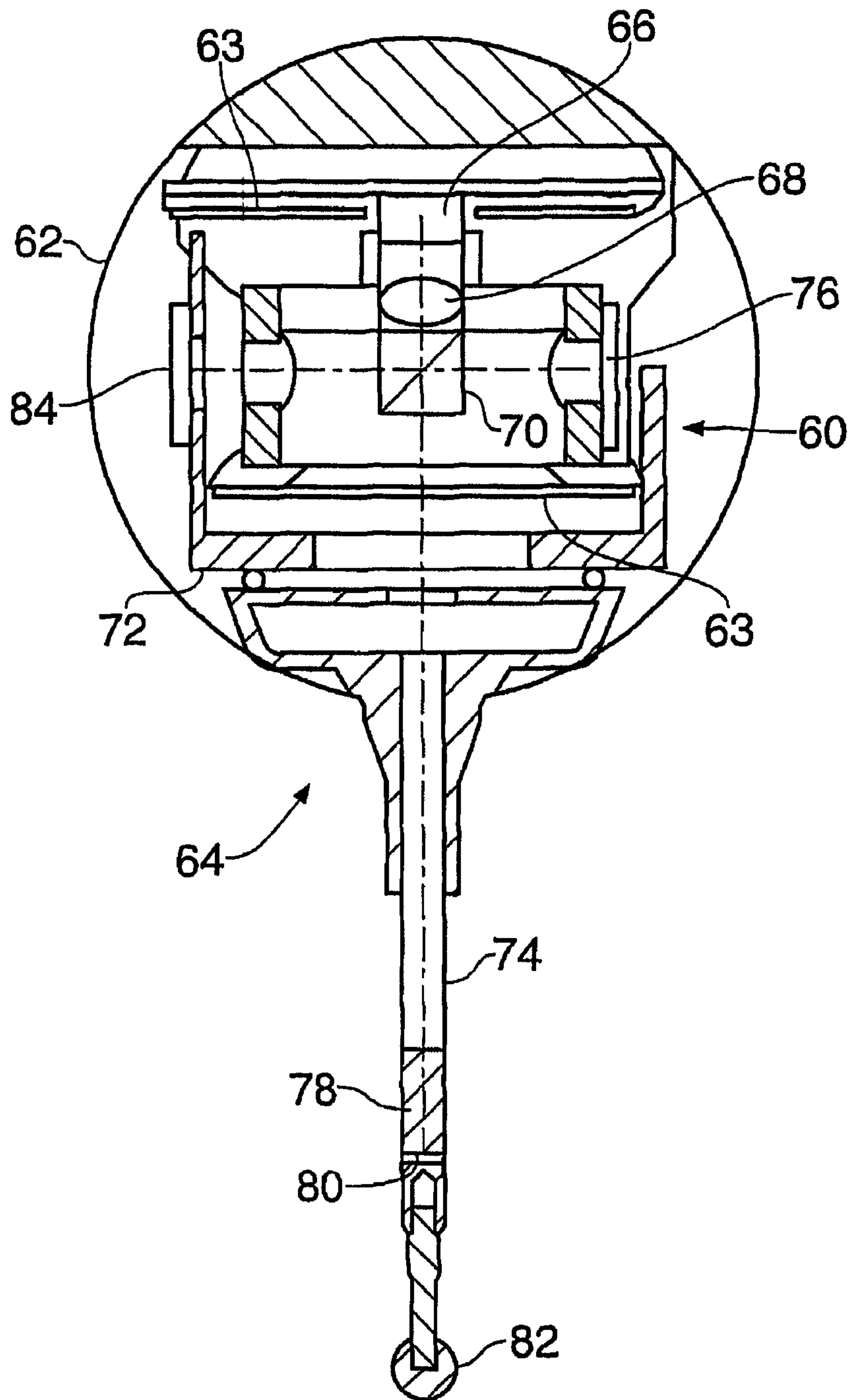


Fig. 3

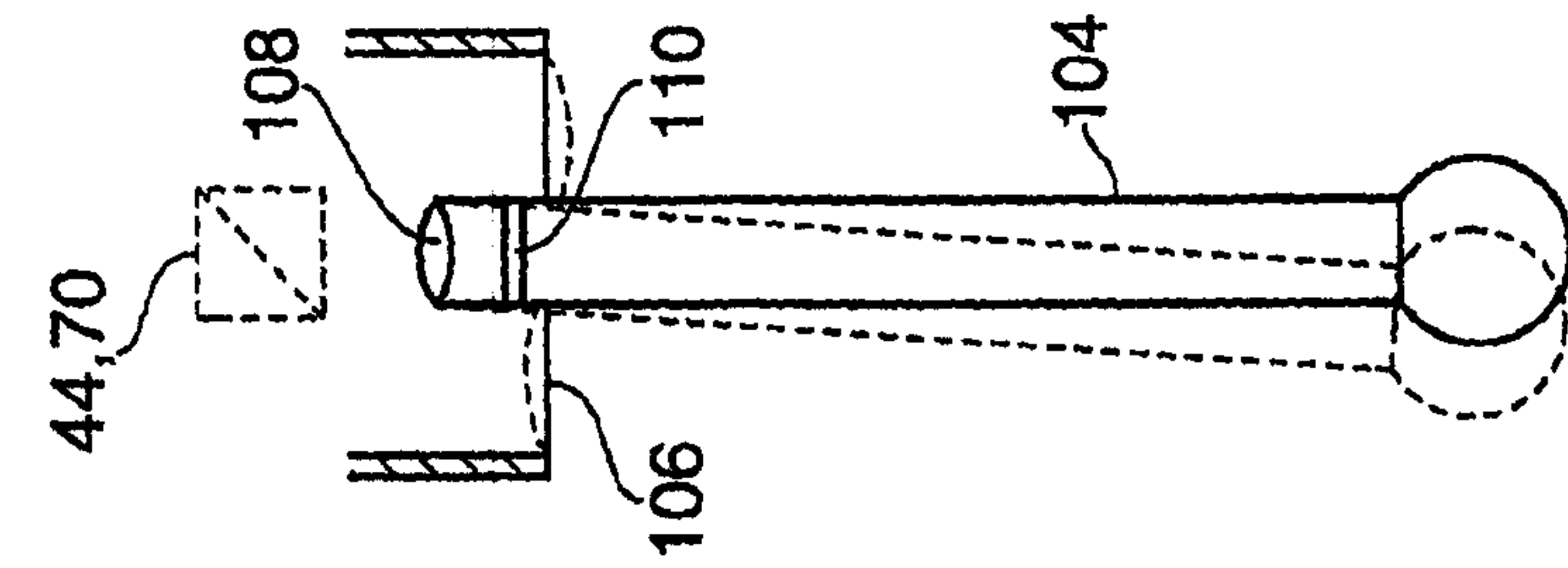


Fig. 6

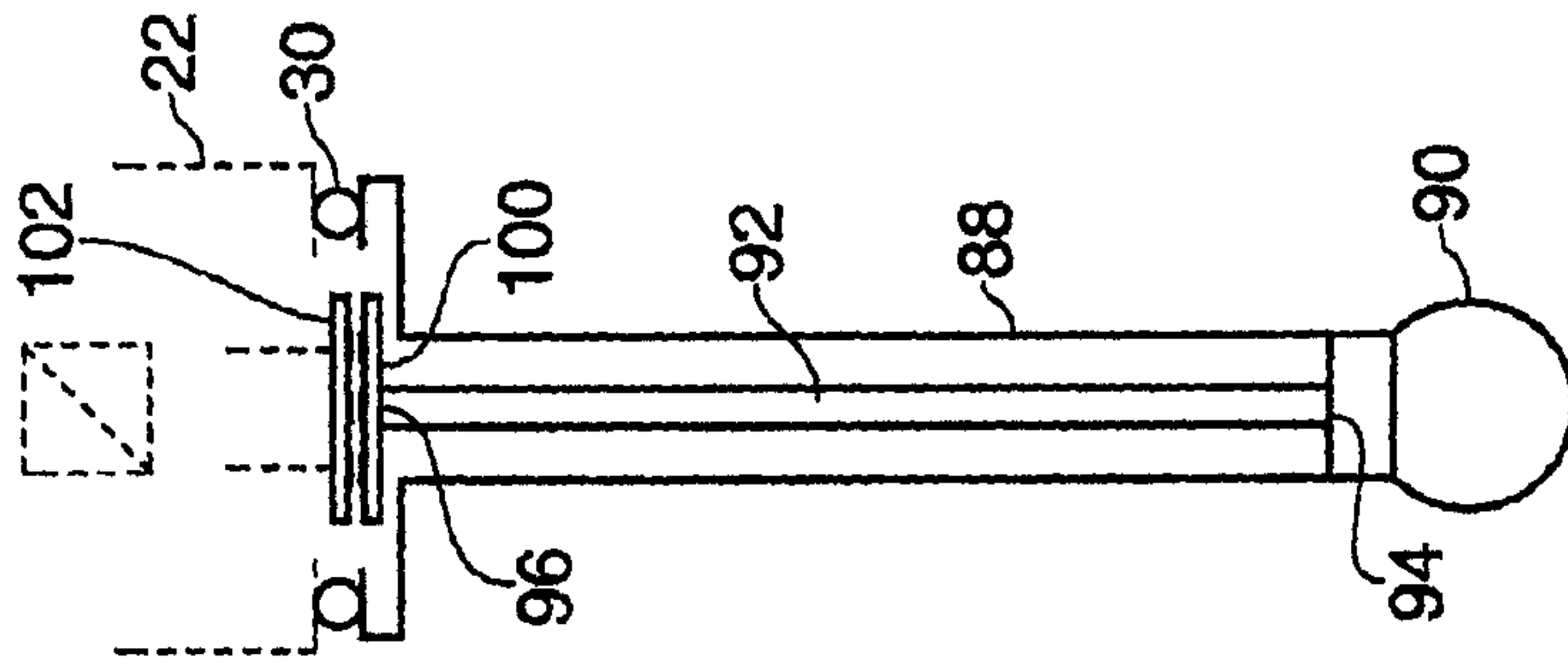


Fig. 5

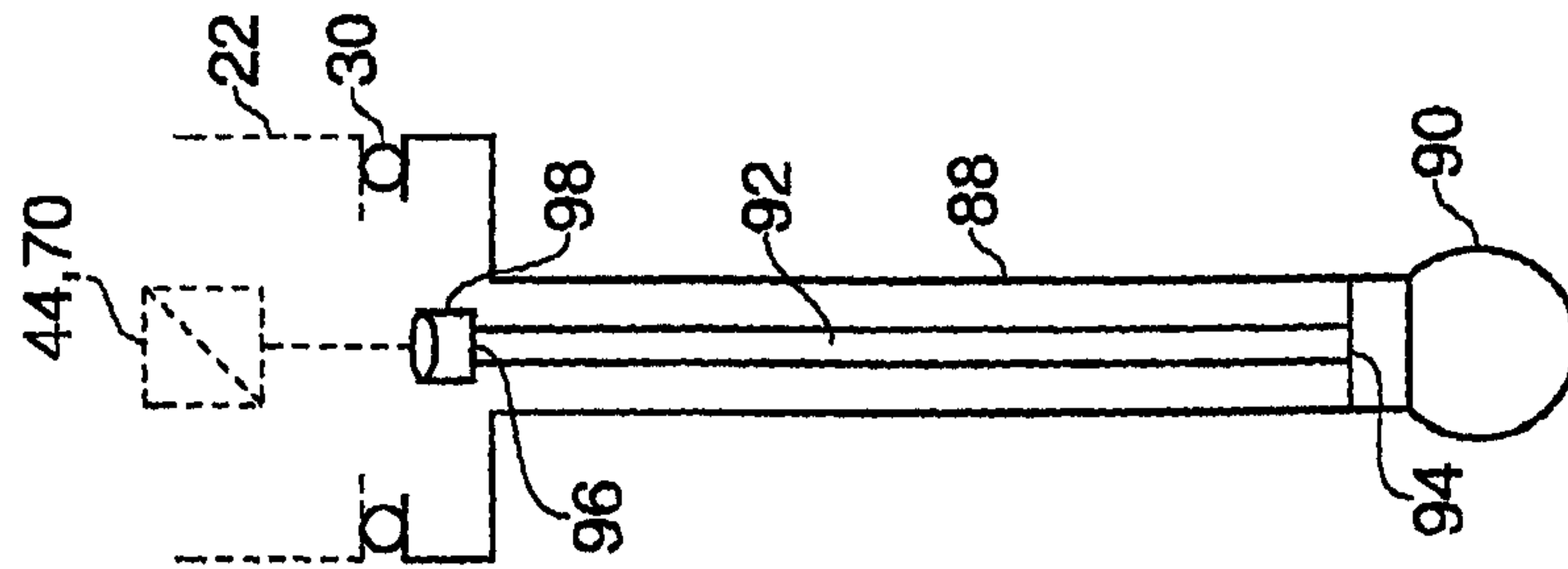


Fig. 4

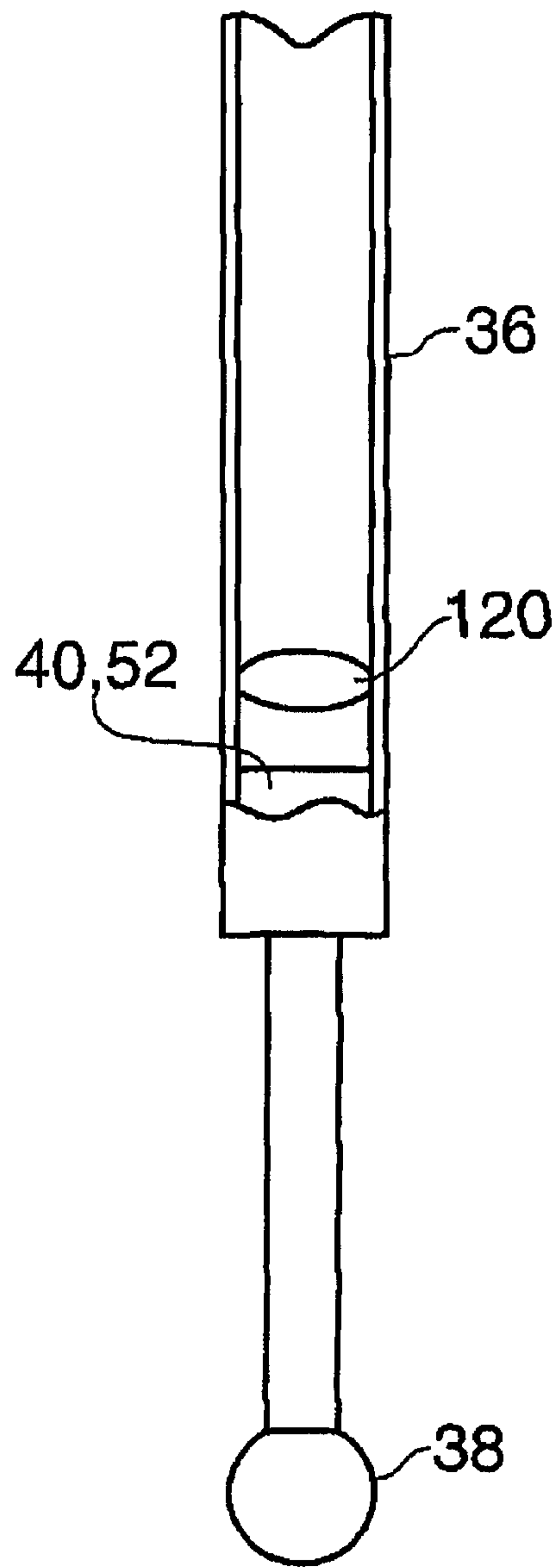


Fig. 7



## SURFACE SENSING DEVICE WITH OPTICAL SENSOR

**Matter enclosed in heavy brackets [ ] appears in the original patent but forms no part of this reissue specification; matter printed in italics indicates the additions made by reissue.**

### BACKGROUND

#### 1. Technical Field

The present invention relates to a surface sensing device for use in position determining apparatus such as, for example, a coordinate measuring machine (CMM), a scanning machine, a machine tool or a measuring robot.

#### 2. Related Art

Such machines are used for measuring workpieces, and typically comprise an arm other member which is movable in three directions X, Y and Z relative to a table on which the workpiece is supported. Movements of the movable arm or other member in each of the X, Y and Z directions are measured by transducers on the machine, so that the position of the movable member relative to a datum position can be determined.

The surface sensing device with which the invention is particularly concerned is an analogue or measuring probe, having an elongate stylus with a workpiece-contacting tip. In use, it may be mounted on an articulating head for use in a high speed scanning operation, such as described in our U.S. Pat. No. 5,040,306. The head is mounted on the movable member of the machine, and has motors or actuators capable of orienting the axis of the probe stylus about two orthogonal axes of rotation. Transducers associated with these rotatable axes determine the direction of orientation.

During a scanning operation, the machine and/or the head cause the stylus tip to move over the surface of the workpiece, in accordance with instructions from the machine controller, to gather data about the profile of the workpiece surface. From the signals provided by the transducers of the machine and the head, and from a knowledge of the dimensions of the probe stylus, the positions of points on the surface being scanned can be estimated. However, this would only have the required accuracy if the stylus were made sufficiently rigid, which is impractical.

Our U.S. Pat. No. 6,633,051 (corresponding to International Patent Application No. WO 00/60310) shows such a probe. It includes a relatively flexible, hollow stylus, which bends laterally under the forces of contact between the stylus tip and the workpiece surface, and under inertial forces while accelerating. An optical system is provided which measures the lateral displacement of the stylus tip caused by such bending. This is then combined with the measurements from the transducers of the machine and the head.

The optical system comprises a light beam which passes along the hollow stylus. The beam is then reflected by an optical component at or near the tip, to pass back along the stylus. Lateral displacement of the stylus tip causes a lateral or tilting displacement of the returned beam, which is measured by a position sensitive detector.

The probe shown in U.S. Pat. No. 6,633,051 is capable of measuring only lateral displacements of the stylus tip.

### SUMMARY

The present invention provides a surface sensing device for use in position determining apparatus, comprising:

an elongate stylus having a workpiece-sensing stylus tip; an optical element at or near or connected to the tip so as to be subjected to lateral displacements of the tip; an optical transducer system which projects a light beam between the optical element and a detector, thereby to measure said lateral displacements of the tip; wherein the stylus is mounted in the surface sensing device for longitudinal displacement; and means are provided for measuring said longitudinal displacement.

In some preferred embodiments, the means for measuring the longitudinal displacement of the stylus is optical.

### BRIEF DESCRIPTION OF THE DRAWINGS

FIG. 1 is a diagrammatic representation of an articulating head with a surface sensing device;

FIGS. 2A and 2B are a cross-section of a first embodiment of surface sensing device;

FIG. 3 is a cross-section of a second embodiment of surface sensing device; and

FIGS. 4,5,6 and 7 show alternative stylus assemblies for such devices.

### DETAILED DESCRIPTION OF EMBODIMENTS

Preferred embodiments of the invention will now be described by way of example, with reference to the accompanying drawings.

Referring now to FIG. 1 there is shown an articulating probe head. The head comprises a first housing part 10 adapted for attachment to a position determining apparatus (not shown), and which contains a motor or actuator 12 to provide rotation of a shaft 14 about a first axis Z. Attached to the shaft 14 is a second housing part 16 which contains a second motor or actuator 18 to provide rotation of a second shaft 20 about a second, orthogonal axis X. Attached to the second shaft 20 for rotation therewith is a housing 24 which includes a support for a surface sensing device comprising a probe 22 and a stylus assembly 26. Angular transducers are associated with the axes X and Z, to measure the rotary motion and provide feedback to a controller.

FIGS. 2A and 2B show the probe 22 and stylus assembly 26. The probe 22 is exchangeably attached to the housing or support 24 of the head via a known kinematic mount 28, into which it is attracted magnetically in known manner, so as to be easily removable and exchangeable. Likewise, the stylus assembly 26 is exchangeably attached to the probe 22 via a kinematic mount 30, into which it is similarly attracted by magnets. As well known, the kinematic mounts ensure that the probe and stylus are positioned in a precisely repeatable manner, enabling precise, repeatable measurements. The probe and stylus can be exchanged for alternative probes or styli, by automatic probe/stylus changing apparatus as described in U.S. Pat. No. 5,327,657 and European Patent No. EP 566719 (both of which are incorporated herein by reference).

The probe 22 includes a carriage 32 which is movable vertically (in the orientation seen in the drawings), i.e. in the longitudinal direction of the stylus. The stylus 26 is attached to this carriage 32 via the kinematic mount 30. The carriage 32 is mounted to the relatively fixed structure 33 of the probe 22 via two horizontally extending planar leaf springs or diaphragms 34, which permit the vertical movement but constrain lateral movements in X and Y directions.

The stylus assembly 26 includes an elongate hollow tubular stylus 36, made of carbon fibre. This is slightly flexible



(resiliently) in the lateral X,Y directions and its stiffness and weight are designed to give good dynamic performance under high speed scanning conditions. It has a stylus tip **38** which contacts the workpiece during such scanning. Rather than being hollow, the stylus **36** could if desired be made of a solid transparent material such as a suitable glass.

During scanning movements, the stylus tip **38** will undergo vertical movements, permitted by the planar springs **34**. It will also undergo lateral X,Y movements permitted by bending of the stylus **36**. The probe **22** contains transducers to measure these movements, which will now be described.

The probe **22** includes a laser diode or other light source **40**. This produces a beam of light which is collimated or brought to a focus by a lens **42**. The laser diode is mounted on an adjustable clamp for alignment purposes, such that in conjunction with the lens **42** the light beam passes axially along the hollow stylus **36**. Both the laser diode **40** and the lens **42** are provided on the fixed structure **33** of the probe **22**.

A beamsplitter **44** is also provided on the fixed structure, to receive the light beam emitted by the lens **42**. It passes 50% of the light down the stylus **36**. Near the stylus tip **38**, a lens **46** and a mirror surface **50** (provided on a glass cylinder **48**) act as a retroreflector, to return the light beam back along the length of the stylus **36**. 50% of the returned beam is reflected through 90° by the beamsplitter **44**, onto a two-dimensional position sensitive detector **52** (which is located on the fixed structure **33** of the probe). This arrangement is similar to that described in U.S. Pat. No. 6,633,051. Any of the other arrangements described in U.S. Pat. No. 6,633,051 could be used instead, and that specification is hereby incorporated by reference.

When the stylus tip **38** is deflected laterally in X or Y directions, the retroreflector (optical element) **46,50** causes the returned beam to be laterally displaced by a corresponding amount in the corresponding directions X,Y. This is detected by the position sensitive detector **52**. In the embodiment of FIGS. 2A and 2B, the optical transducer system includes the laser diode or other light source **40**, lens **42**, beamsplitter **44** and detector **52**. Alternatively, with some of the arrangements shown in U.S. Pat. No. 6,633,051, the lateral displacement of the stylus tip **38** could cause a tilting displacement of the returned beam, which again is measured in the X and Y directions by the position sensitive detector **52**.

The distance and the focus of the mirror/lens combination **46,50** may be adjustable. This enables adjustment of the "gain" of the probe, i.e. matching the amount of displacement of the returned beam at the detector **52** depending on the length of the stylus and the resulting amount by which the stylus tip **38** is displaceable laterally.

The other 50% of the beam emitted by the laser diode **40** and lens **42** is reflected laterally towards a second position sensitive detector **54**. This is also mounted on the fixed structure **33** of the probe. However, between the beamsplitter **44** and the position sensitive detector **54**, the beam passes through a lens **56** which is mounted on the vertically-movable carriage **32**. Thus, the vertical position of the beam on the detector **54** is deflected, depending upon the vertical position of the carriage **32**. Since the stylus assembly **26** is rigid in the longitudinal direction, the output of the detector **54** is a direct measure of the longitudinal position (Z) of the stylus tip **38**. The response of the detector **54** to a given amount of vertical movement may be amplified by an appropriate choice of lens **56**.

The position sensitive detector **54** could merely be a one-dimensional detector. However, it is more convenient to use a two-dimensional detector, the same as the detector **52**, simply ignoring the output for the other dimension.

The outputs of the detectors **52,54** therefore give a direct indication of the three-dimensional position of the stylus tip **38**, relative to the housing **24** of the articulating head. This can be combined in a known manner with the outputs of transducers in the head and of the machine, in order to determine the tip position during a scanning operation.

Other detectors can be used as the position sensitive detectors, e.g. a CCD or other camera chip, or a quad cell.

FIG. 3 shows a cross-section through an alternative embodiment. A probe **60** is mounted on an articulating head **62**, and has an exchangeable, kinematically mounted stylus assembly **64**. A laser diode or other light source **66**, lens **68** and beamsplitter **70** are mounted on the relatively fixed structure of the probe, and produce light beams in a similar manner to FIG. 2A. In the embodiment of FIG. 3, the optical transducer system includes the laser diode or light source **66**, the lens **68**, the beamsplitter **70** and a position sensitive sensor **76**. The stylus assembly **64** is mounted on a vertically-movable carriage **72** via two parallel planar leaf springs or diaphragms **63**, also as in FIG. 2A.

One of the light beams passes down a hollow tubular stylus **74** of the stylus assembly **64**, and is retroreflected back up the stylus and directed by the beamsplitter **70** to an X,Y position sensitive detector **76**. Again, this is similar to FIGS. 2A and 2B, except that this time the retroreflector (optical element) is formed by a GRIN lens **78** with a mirrored back surface **80**. This arrangement measures the X,Y deflections of the stylus tip **82**, as previously. In this embodiment, contrary to the previous embodiment, the vertical (Z) movement of the carriage **72** (and thus of the stylus tip **82**) is measured by a position sensitive detector **84** which is mounted on the vertically-movable carriage **72**.

Again therefore, the outputs of the detectors **76,84** provide a direct measurement of the movement of the stylus tip **82** in X,Y and Z directions, relative to the head **62**.

Other arrangements can be envisaged in order to measure the stylus tip movements. For example, the movement in the Z direction could be measured by strain gauges mounted on the planar springs which permit the vertical movement of the carriage **32** (FIG. 2A) or **72** (FIG. 3). Or another transducer can be provided to measure the vertical movement between the carriage and the fixed structure. Or the distance along the light beam passing through the stylus can be measured interferometrically, or by the time of flight of the light beam.

Other arrangements of the beamsplitter **42** or **70** and the detectors **52,54** or **76,84** can be envisaged. For example, in FIG. 3, the beamsplitter **70** and detector **76** could both be mounted on the movable carriage **72**, in order to measure the X,Y movements. The detector **84** would then be mounted on the relatively fixed structure of the probe, so that the vertical movements of the beamsplitter **70** cause the light beam to move vertically on the detector **84** and thus measure the vertical movements of the stylus tip **82**.

In another embodiment, instead of providing a retroreflector, the laser diode or other light source **40** may be located at the bottom end of the stylus **36** with a lens **120**, as shown in FIG. 7. Or it may actually be in the stylus tip **38**. It then directs a light beam up the stylus to the beamsplitter. Electrical connections to the laser diode may be provided integral y in the side wall of the stylus.

Alternatively in FIG. 7, the detector **52** may be located at the bottom end of the stylus or in the stylus tip, optionally without the lens **120**, to receive light from a light source positioned within the probe body as in FIG. 2A. This has the advantage that the arrangement detects only lateral movement of the stylus tip, as required, and is insensitive to tilting of the stylus.



## 5

The above embodiments have included a stylus tip which contacts the workpiece during a scanning operation. However, the invention is also useful with a non-contacting tip, which senses the workpiece surface using a non-contact transducer, e.g. capacitively, inductively or optically. The detectors 52,54 or 76,84 then measure stylus deflections caused e.g. by inertial forces during the accelerations of the scanning movement or drooping under gravity.

In the above embodiments, FIGS. 2B and 3 show a stylus extension 86 which mounts the stylus tip 38,82 to the end of the stylus 36,74. This may be longer than shown where longer styli are required for a particular measurement task. The stylus extension may be made stiffer than the stylus 36,74 so that most bending occurs in the stylus 36,74. Or it may have a similar stiffness. In either case, the bending measured in the stylus 36,74 is proportional to the bending of the total assembly of the stylus and extension.

FIG. 4 shows another embodiment of the stylus assembly, which may replace the stylus assemblies 26,64 in FIGS. 2B and 3. A hollow, relatively flexible stylus 88 has a stylus tip 90, as previously. Within the stylus 88 is a relatively stiff rod 92. At one end 94 this is attached at or near the stylus tip 90. The other end 96 is free.

At the free end 96 of the rod is located a retroreflector 98 of any suitable design. This reflects the light beam from and to the beamsplitter 44,70 as in previous embodiments. Since the rod 92 is relatively stiff, the movement of its free end 96 follows the movement of the tip 90 as the stylus 88 bends.

Alternatively, as shown in FIG. 5, there may be an X,Y transducer comprising a first element 100 on the free end 96 of the rod 92, and a second element 102 on the fixed structure of the probe. This X,Y transducer may be capacitive, inductive (e.g. eddy current) or an optical encoder.

FIG. 6 shows an alternative stylus assembly. It has a stylus 104 which is mounted on a planar spring or diaphragm 106. Thus, effective bending of the stylus assembly is provided by the bending of the planar spring 106 (as shown in broken lines) instead of relying on the bending of the stylus 104 itself. Another alternative would be to weaken the tubular stylus 104 by local perforations near its mounting point, in order to allow it to bend while retaining stiffness in the Z direction.

The upper end of the stylus 104 is provided with a suitable retroreflector e.g. comprising a lens 108 and mirror 110. This returns a light beam from and to the beamsplitter 44,70 as in the previous embodiments. If the lens 108 is omitted, the beam can still be returned in the same way, but will be tiltingly displaced instead of laterally displaced.

The invention claimed is:

1. A surface sensing device for use in position determining apparatus, comprising:

an elongate stylus having a workpiece-contacting stylus tip;

an optical element at or near or connected to the tip so as to be subjected to lateral displacements of the tip;

an optical transducer system which projects a light beam along the stylus [between a the] *between the* optical element and a detector, thereby to measure said lateral displacements of the tip;

a mounting for the stylus [the] *of the* surface sensing device which enables *only* longitudinal displacement *and bending* of the stylus *and constrains other movements thereof*, the mounting for the stylus disposed within a housing of the surface sensing device, wherein the longitudinal displacement of the stylus is at the mounting for the stylus within the housing of the surface sensing device; and

## 6

a displacement measurement transducer arranged to measure said longitudinal displacement of the stylus.

2. A surface sensing device according to claim 1, wherein the stylus is bendable to permit said lateral displacements of the tip.

3. A surface sensing device according to claim 1, wherein the displacement measurement transducer arranged to measure longitudinal displacement comprises a further light beam projected onto a further detector.

4. A surface sensing device according to claim 3, including a beamsplitter which derives both light beams from a common light source.

5. A surface sensing device according to claim 1, wherein the stylus is mounted on a longitudinally movable carriage.

6. A surface sensing device according to claim 5, wherein the carriage is mounted for longitudinal movement on a pair of parallel leaf springs or diaphragms.

7. A surface sensing device according to claim 1, wherein the stylus has two portions, one of which is stiffer than the other.

8. A surface sensing device according to claim 1, comprising a probe, wherein the stylus is exchangeably attached to the probe.

9. A surface sensing device according to claim 8, wherein the probe comprises a longitudinally movable carriage, to which the stylus is exchangeably attached, and wherein said displacement measurement transducer is arranged to measure longitudinal displacement of the carriage.

10. A surface sensing device according to claim 8, wherein the exchangeable stylus adjusts the gain of the transducer system which measures the lateral displacements of the stylus tip.

11. A surface sensing device for use in position determining apparatus, comprising:

an elongate stylus having a workpiece-sensing stylus tip; the stylus having a relatively flexible portion permitting bending of the stylus and a relatively stiff portion, the relatively stiff portion being closer to the tip than the relatively flexible portion;

said tip being subjected to lateral displacements caused by bending of the stylus;

a transducer system which measures lateral displacements of the tip, including those caused by said bending of the stylus;

a mounting for the stylus in the surface sensing device which enables longitudinal displacement of the stylus, the mounting for the stylus disposed within a housing of the surface sensing device, wherein the longitudinal displacement of the stylus is at the mounting for the stylus within the housing of the surface sensing device; and

a displacement measurement transducer arranged to measure said longitudinal displacement of the stylus.

12. A surface sensing device according to claim 11, wherein the transducer system is optical.

13. A surface sensing device according to claim 12, wherein the transducer system includes an optical element at or near or connected to the tip so as to be subjected to the lateral displacements of the tip, and a detector, and wherein the transducer system projects a light beam between the optical element and the detector.

14. A surface sensing device according to claim 11, wherein the displacement measurement transducer for measuring longitudinal displacement comprises a detector, and projects a light beam onto the detector.

15. A surface sensing device according to claim 7, comprising a probe, wherein the probe comprises a longitudinally movable carriage, to which the stylus is exchangeably



7

attached, and wherein said displacement measurement transducer is arranged to measure longitudinal displacement of the carriage.

16. A surface sensing device according to claim 11, comprising a probe, wherein the stylus is exchangeably attached to the probe.

17. A surface sensing device according to claim 16, wherein the exchangeable stylus adjusts the gain of the transducer system which measures the lateral displacements of the stylus tip.

18. A surface sensing device for use in position determining apparatus, comprising:

*a probe housing;*

*a longitudinally movable carriage mounted within the probe housing;*

*an elongate stylus having a workpiece-sensing stylus tip; the longitudinally movable carriage providing a mounting for the stylus, which enables longitudinal displacement of the stylus at said mounting for the stylus within the housing;*

*the stylus being exchangeably attachable to and detachable from the carriage;*

*a displacement measurement transducer in the probe housing arranged to measure said longitudinal displacement;*

*said stylus tip being subject to lateral displacements;*

*a transducer system located at least partially in the exchangeable stylus, and arranged to measure said lateral displacements of the tip.*

19. A surface sensing device according to claim 18, wherein the exchangeable elongate stylus is bendable to permit said lateral displacements of the stylus tip.

20. A surface sensing device according to claim 18, wherein the transducer system for measuring the lateral displacements of the stylus tip includes a detector and projects a light beam along the exchangeable elongate stylus to the detector.

21. A surface sensing device according to claim 20, wherein the transducer system for measuring the lateral displacements of the stylus tip comprises an optical element at or near or connected to the stylus tip so as to be subjected to

8

*lateral displacements of the stylus tip; and the light beam is projected between the optical element and the detector of the transducer system.*

22. A surface sensing device according to claim 20, wherein the detector of the transducer system for measuring the lateral displacements of the stylus tip is located in the probe housing.

23. A surface sensing device according to claim 20, wherein the displacement measurement transducer in the probe housing for measuring said longitudinal displacements of the exchangeable stylus comprises a further light beam projected onto a further detector.

24. A surface sensing device according to claim 23, including a beamsplitter which derives both light beams from a common light source.

25. A surface sensing device according to claim 18, wherein the displacement measurement transducer in the probe housing for measuring said longitudinal displacements of the exchangeable stylus comprises a light beam projected onto a detector.

26. A surface sensing device according to claim 18, wherein the carriage is mounted for longitudinal movement on a pair of parallel leaf springs or diaphragms.

27. A surface sensing device according to claim 18, wherein the exchangeable stylus is configured to adjust the gain of the transducer system arranged to measure the lateral displacements of the stylus tip.

28. A surface sensing device according to claim 27, configured such that the stylus is exchangeable for alternative styli by automatic stylus changing apparatus.

29. A surface sensing device according to claim 18, wherein the stylus is exchangeably attachable to and detachable from the carriage via a kinematic mount.

30. A surface sensing device according to claim 29, wherein the stylus is magnetically attracted into the kinematic mount.

31. A surface sensing device according to claim 18, configured such that the stylus is exchangeable for alternative styli by automatic stylus changing apparatus.

\* \* \* \* \*