



US00RE45168E

(19) **United States**
(12) **Reissued Patent**
Lee et al.

(10) **Patent Number:** **US RE45,168 E**
(45) **Date of Reissued Patent:** ***Sep. 30, 2014**

(54) **METHOD AND APPARATUS FOR TRANSMITTING AND RECEIVING DATA VIA MEDIA ACCESS CONTROL PROTOCOL IN MOBILE COMMUNICATION SYSTEM**

(58) **Field of Classification Search**
CPC H04W 28/06-28/10
USPC 370/313-394, 395.1, 395.3, 397-528
See application file for complete search history.

(71) Applicant: **Samsung Electronics Co., Ltd.**,
Gyeonggi-do (KR)

(56) **References Cited**

(72) Inventors: **Seung-Hyun Lee**, Seoul (KR);
Jin-Young Oh, Gyeonggi-do (KR)

U.S. PATENT DOCUMENTS

(73) Assignee: **Samsung Electronics Co., Ltd** (KR)

6,128,490 A * 10/2000 Shaheen et al. 455/434
7,200,135 B2 * 4/2007 Choi et al. 370/348
7,545,807 B2 * 6/2009 Hwang et al. 370/389

(Continued)

(*) Notice: This patent is subject to a terminal disclaimer.

FOREIGN PATENT DOCUMENTS

(21) Appl. No.: **13/941,112**

EP 1566925 2/2005
KR 1020030060026 7/2003

(22) Filed: **Jul. 12, 2013**

(Continued)

Related U.S. Patent Documents

Primary Examiner — Afsar M Qureshi

(74) *Attorney, Agent, or Firm* — The Farrell Law Firm, P.C.

Reissue of:

(64) Patent No.: **7,978,640**
Issued: **Jul. 12, 2011**
Appl. No.: **12/019,432**
Filed: **Jan. 24, 2008**

(57) **ABSTRACT**

Disclosed is a method and an apparatus for transmitting and receiving data via a MAC protocol in a mobile communication system. The method includes inputting at least one Service Data Unit (SDU) containing transmission data through a corresponding logical channel and generating at least one first Protocol Data Unit (PDU) that includes said at least one SDU without including multiplexing information for identification of the logical channel, by a first transmission entity; acquiring the first PDU and generating a second PDU including the first PDU in a payload of the second PDU, by a second transmission entity that operates between the first transmission entity and a physical layer; inserting the multiplexing information for identification of the logical channel corresponding to said at least one first PDU into header information of the second PDU; and transmitting the second PDU through the physical layer. The method can reduce load due to additional processing, such as a bit operation or memory copying, in a receiver requiring high speed data transmission.

(30) **Foreign Application Priority Data**

Jan. 24, 2007 (KR) 10-2007-0007466

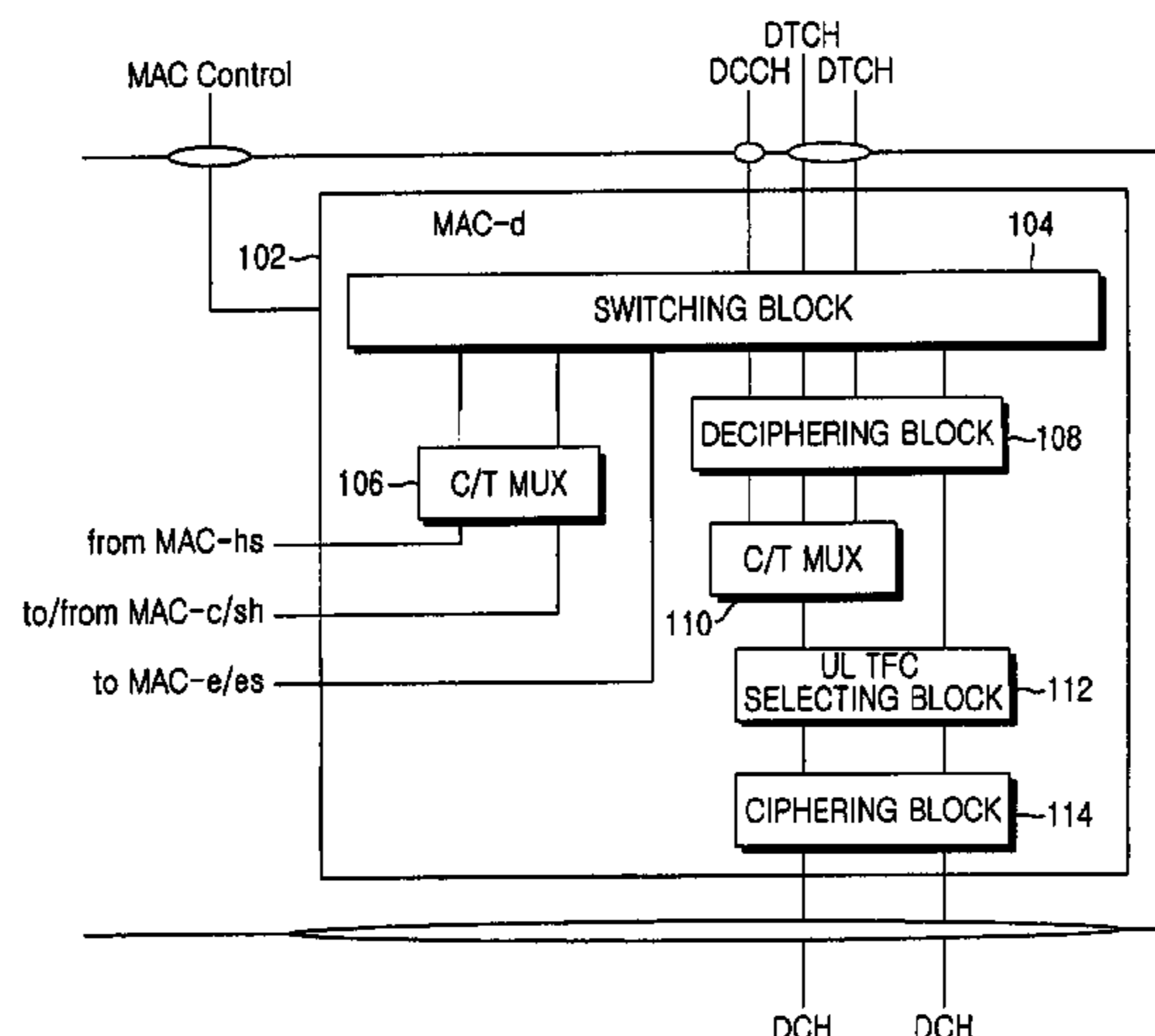
(51) **Int. Cl.**

H04W 8/26 (2009.01)
H04W 28/06 (2009.01)
H04L 12/801 (2013.01)
H04L 29/06 (2006.01)

(52) **U.S. Cl.**

CPC **H04W 28/06** (2013.01); **H04L 47/10** (2013.01); **H04L 69/22** (2013.01)
USPC **370/313**; **370/349**; **370/389**

36 Claims, 8 Drawing Sheets



US RE45,168 E

Page 2

(56)

References Cited

U.S. PATENT DOCUMENTS

7,675,942	B2	3/2010	Lee et al.	
7,760,820	B2 *	7/2010	Lei et al.	375/340
7,792,149	B2 *	9/2010	Hwang et al.	370/476
7,978,640	B2 *	7/2011	Lee et al.	370/313
8,451,767	B2 *	5/2013	Lee et al.	370/313
2002/0048281	A1 *	4/2002	Yi et al.	370/474
2003/0131124	A1	7/2003	Yi et al.	
2005/0013272	A1	1/2005	Hwang et al.	

2006/0007886	A1	1/2006	Lee et al.
2006/0146761	A1	7/2006	Kim et al.
2006/0165045	A1	7/2006	Kim et al.

FOREIGN PATENT DOCUMENTS

KR	1020060042858	5/2006
KR	1020060077521	7/2006
KR	1020060079784	7/2006

* cited by examiner

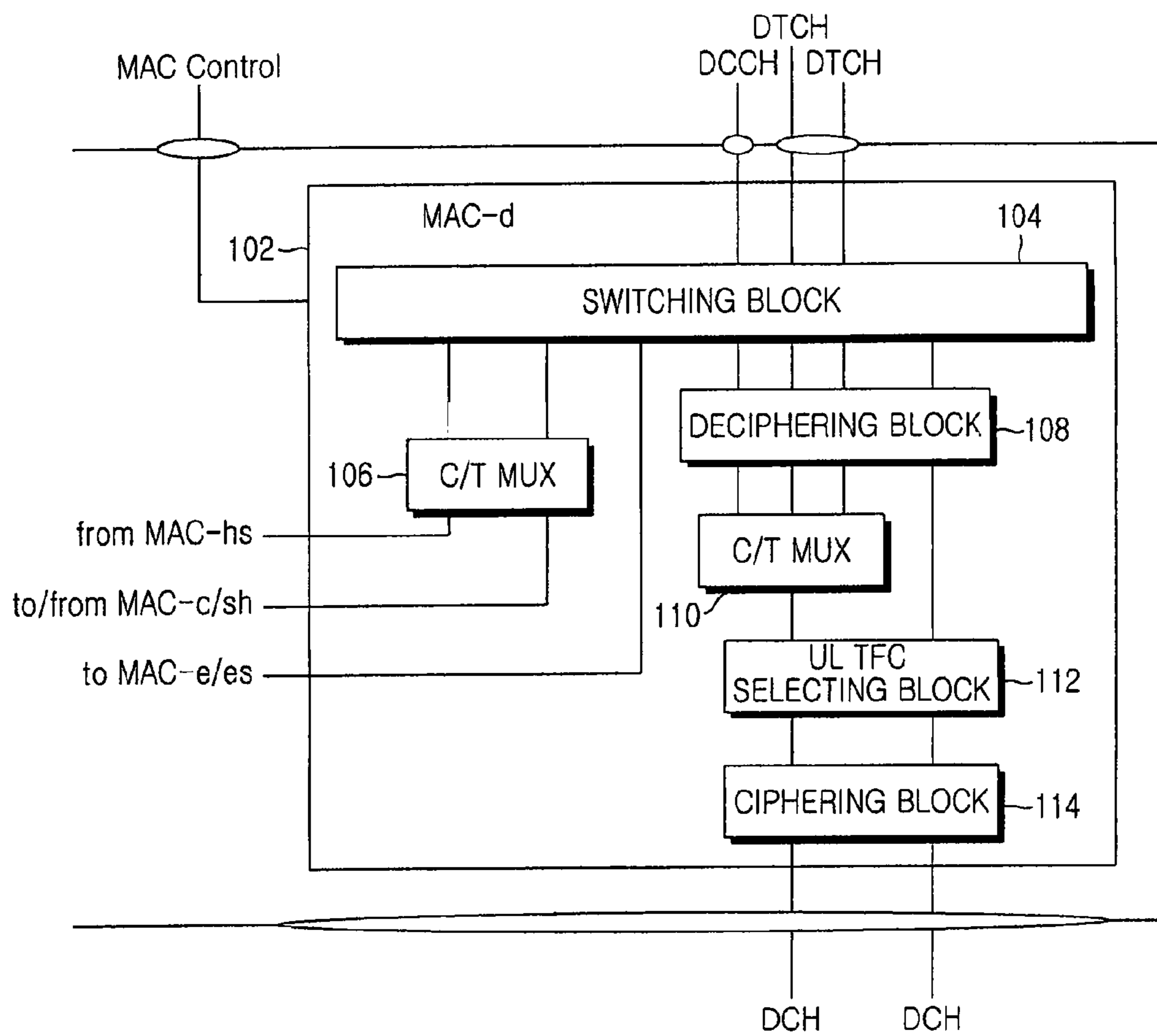


FIG.1

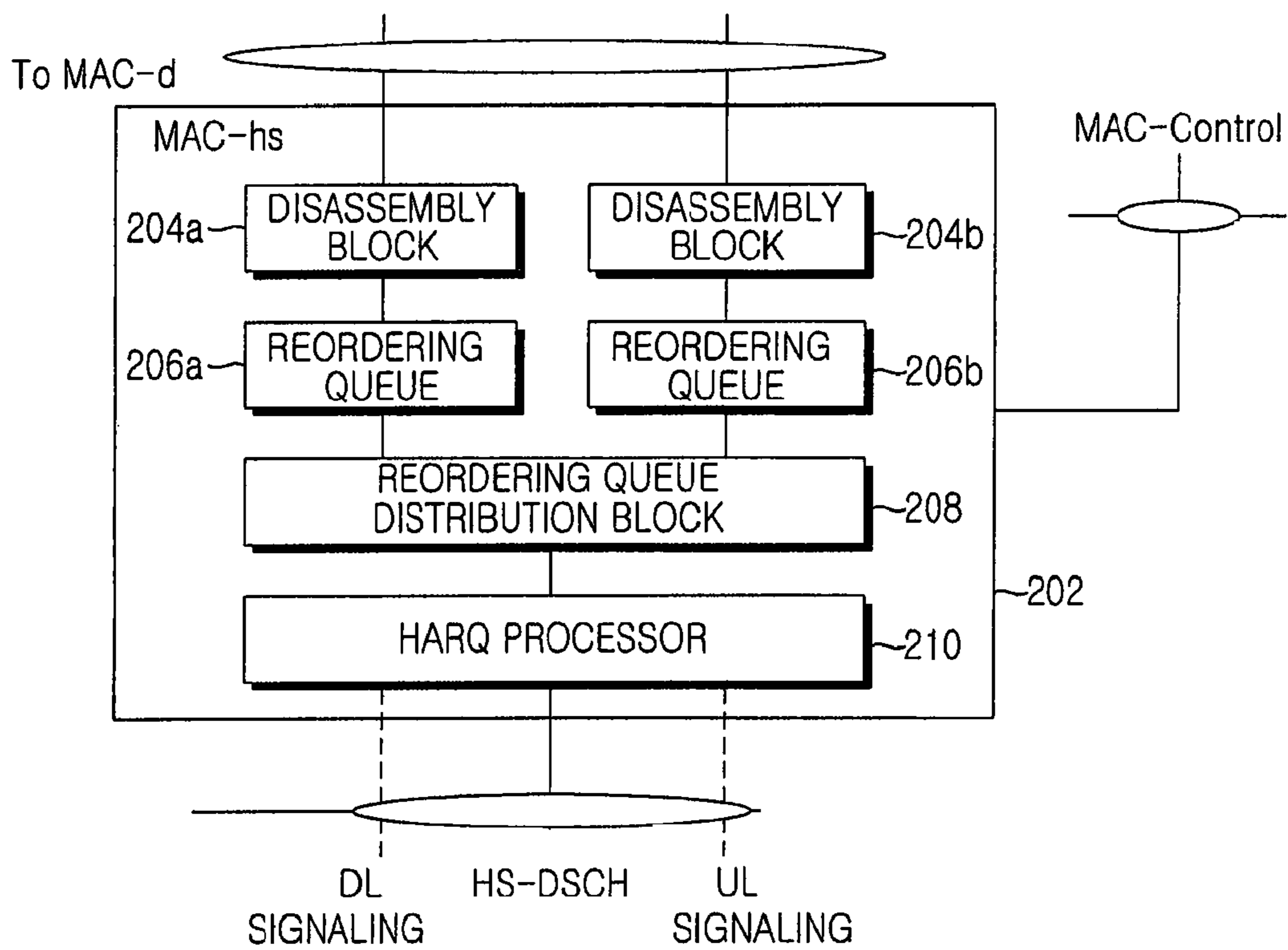


FIG.2

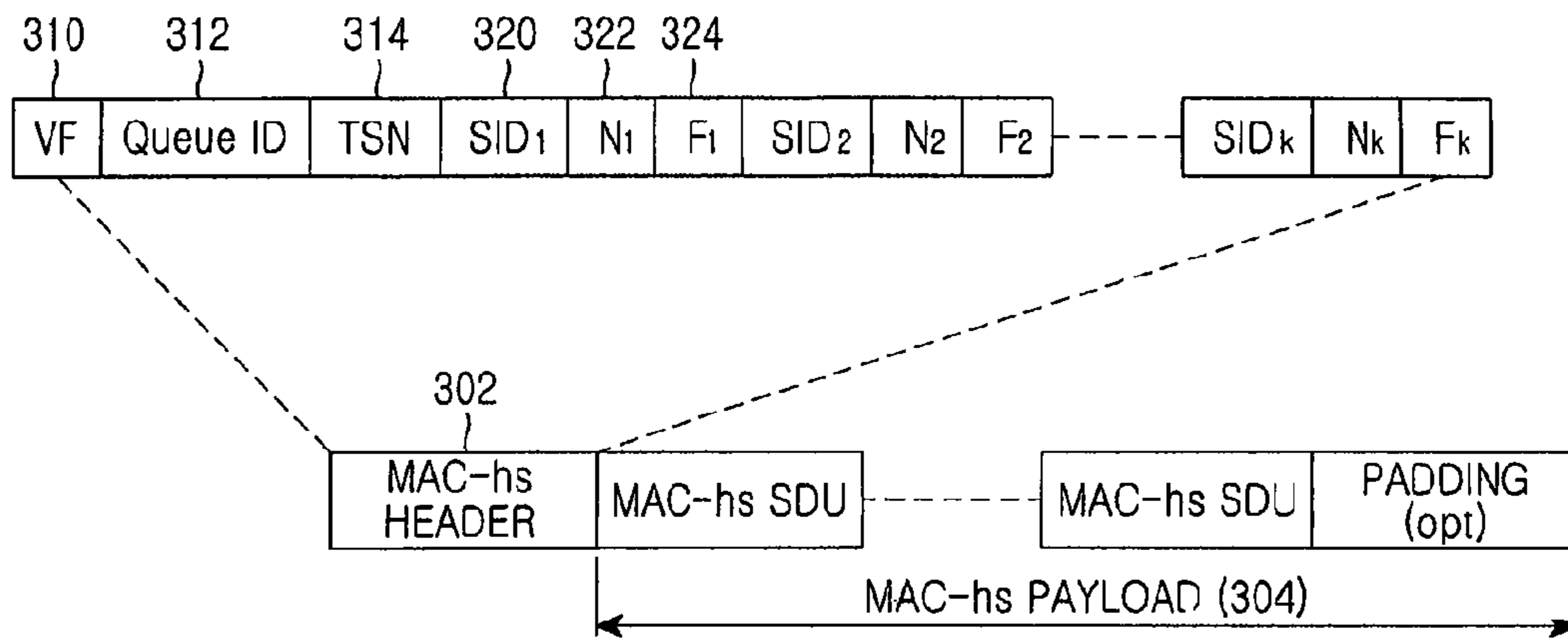


FIG.3

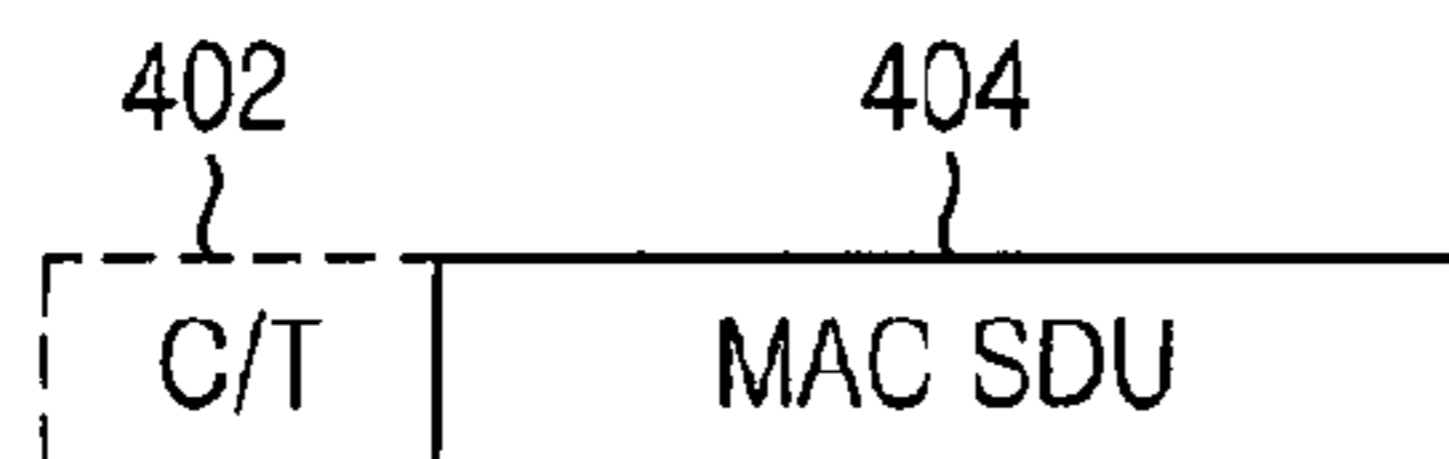


FIG.4

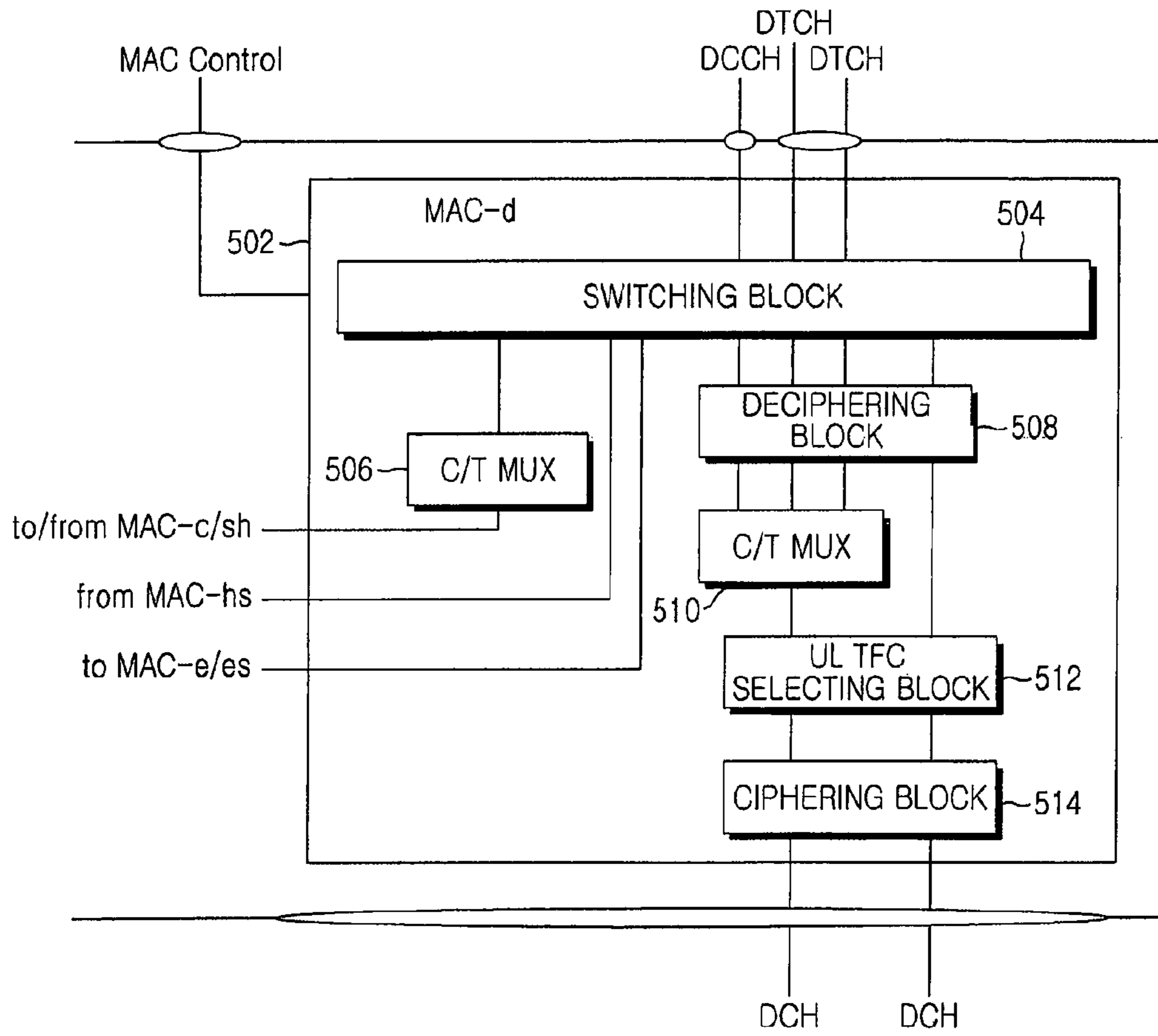


FIG.5

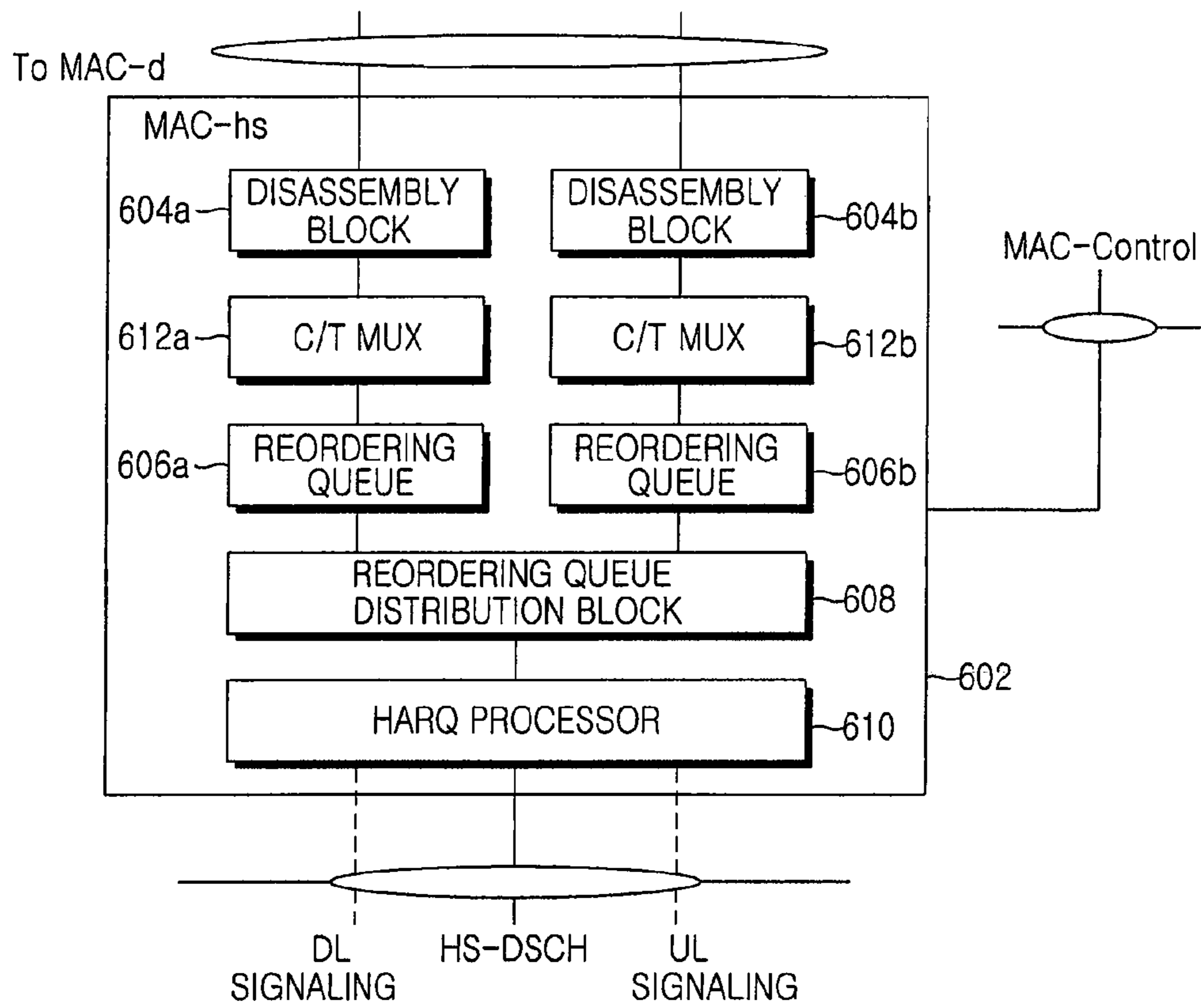


FIG.6

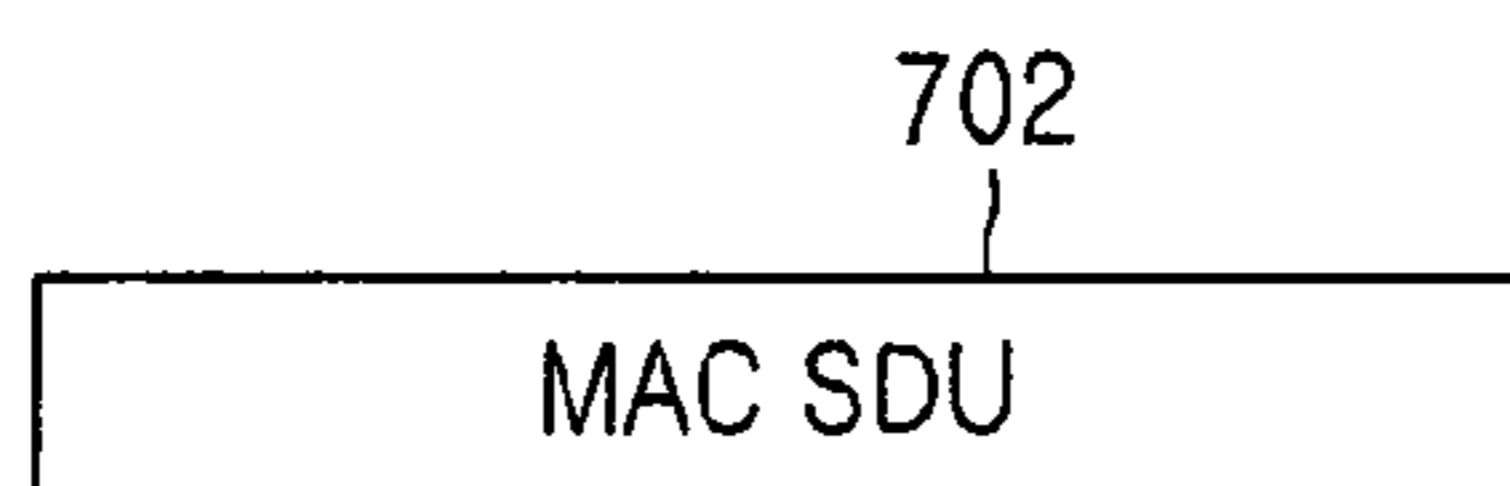


FIG.7

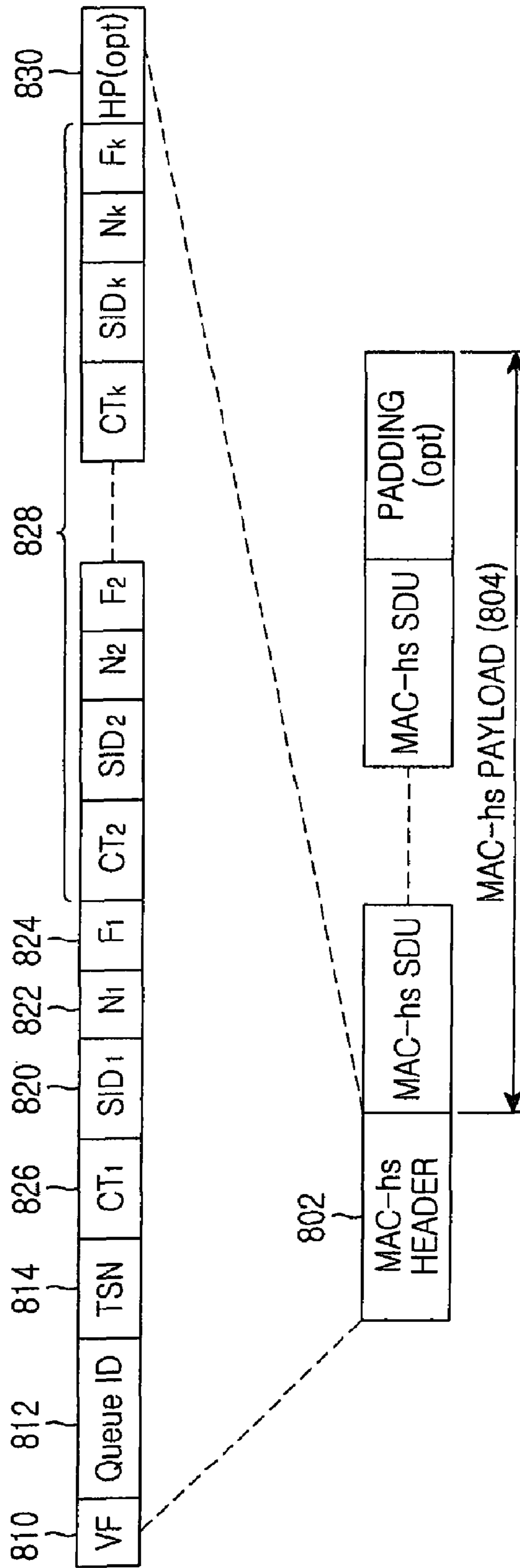


FIG. 8

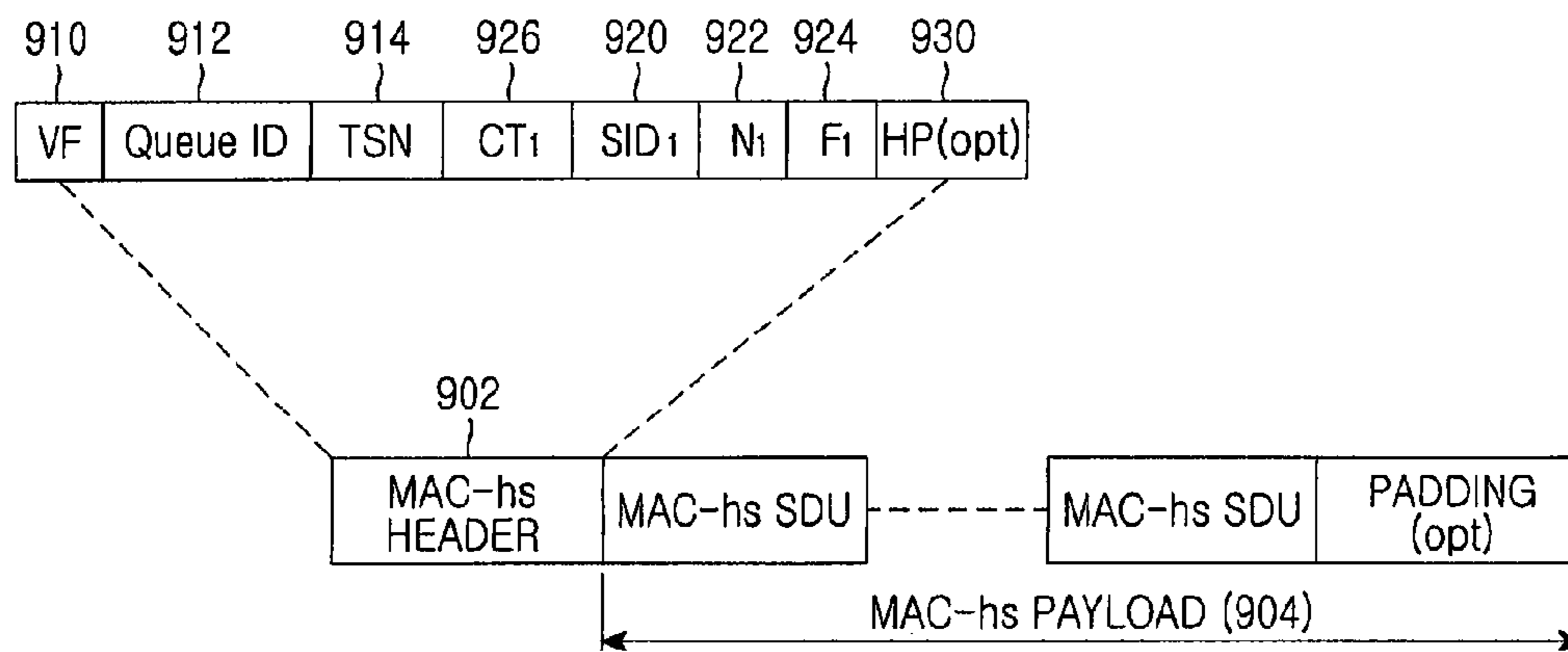


FIG.9

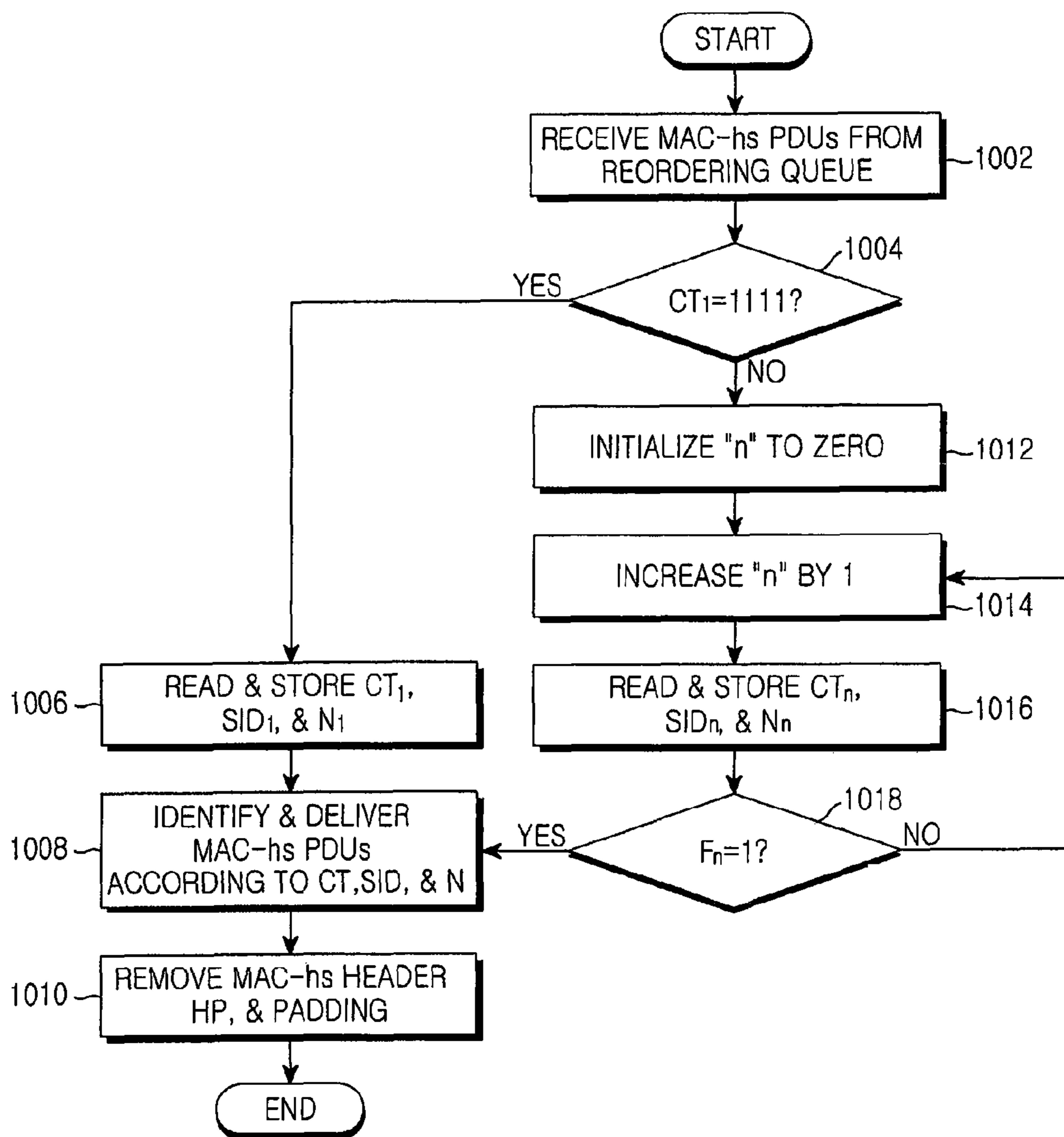


FIG. 10

**METHOD AND APPARATUS FOR
TRANSMITTING AND RECEIVING DATA VIA
MEDIA ACCESS CONTROL PROTOCOL IN
MOBILE COMMUNICATION SYSTEM**

Matter enclosed in heavy brackets [] appears in the original patent but forms no part of this reissue specification; matter printed in italics indicates the additions made by reissue.

PRIORITY

This application claims priority under 35 U.S.C. §119(a) to an application entitled "Method And Apparatus For Transmitting And Receiving Data Via Media Access Control Protocol In Mobile Communication System" filed in the Korean Industrial Property Office on Jan. 24, 2007 and assigned Serial No. 2007-7466, the contents of which are hereby incorporated by reference.

BACKGROUND OF THE INVENTION

1. Field of the Invention

The present invention relates to a mobile communication system, and more particularly to a method and an apparatus for transmitting and receiving data in a Media Access Control (MAC) layer.

2. Description of the Related Art

A UMTS (Universal Mobile Telecommunication Service) system, known as the 3rd Generation mobile communication system, employs a Wideband Code Division Multiple Access (WCDMA) based on General Packet Radio Services (GPRS) and Global System for Mobile Communications (GSM), which are European mobile communication systems. Based on the 3GPP (3rd Generation Partnership Project) standard, the UMTS system can provide a consistent service by which a user of a mobile phone or a computer can transmit packet-based text, digitized voice or video data, or multimedia data at a high speed of at least 2 Mbps wherever the user is located in the world. The UMTS uses a concept of virtual access, that is, a packet exchange-based access using a packet protocol such as an Internet Protocol (IP). The UMTS can always connect to any terminal within its network.

In order to support a High Data Rate (HDR), a High Speed Packet Access (HSPA) system such as 3rd Generation Partnership Project (3GPP) requires performance improvement for a Radio Link Control (RLC) and a Media Access Control (MAC) corresponding to a layer-2 protocol.

The MAC layer is connected to RLC layer entities and/or Packet Data Convergence Protocol (PDCP) layer entities through Logical Channels (LCHs), and generates a Protocol Data Unit (PDU) by multiplexing Service Data Units (SDUs) delivered from the RLC layer entities and then attaching a MAC header to the multiplexed SDUs. Such a PDU output from the MAC layer is called a MAC-PDU.

A MAC header includes information fields relating to the SDUs within the MAC-PDU. Herein, since each of the information fields has a size of one or more bits, the entire size of the MAC header does not correspond to a multiple of 8 bits (one byte) in most instances. In this case, the remaining PDU after removal of the MAC header is in a state in which byte alignment is broken. Therefore, in order to process a PDU with unaligned bytes within a memory, a receiver must perform a bit operation in which the start and end of the PDU are bit-masked and the resultant data is then read. As a result, the bit operation is performed twice for each PDU. Accordingly,

the receiver spends excessive processing time over the whole layer-2 stack, which results in unnecessary consumption of Control Processing Unit (CPU) clock and power.

The most widely used solution for avoiding a bit operation during data processing is to perform a memory copy. However, the memory copy in a mobile communication system requiring a high data rate may increase consumption of system resources, which results in reduction of the data rate.

SUMMARY OF THE INVENTION

Accordingly, the present invention has been made to solve the above-mentioned problems occurring in the prior art, and the present invention provides a method and an apparatus for improving efficiency in a MAC layer operation for High Speed Packet Access (HSPA).

Also, the present invention provides a method and an apparatus for reducing load and delay due to an additional processing of a receiver in a MAC layer.

Also, the present invention provides a method and an apparatus for efficiently constructing header information in a MAC layer, so as to identify logical channels by using a small number of bits.

Also, the present invention provides a method and an apparatus for byte-aligning a header of a MAC PDU in a MAC layer.

In accordance with another aspect of the present invention, there is provided a method for transmitting data via a MAC protocol in a mobile communication system, the method including inputting at least one Service Data Unit (SDU) containing transmission data through a corresponding logical channel and generating at least one first Protocol Data Unit (PDU) that includes said at least one SDU without including multiplexing information for identification of the logical channel, by a first transmission entity; acquiring the first PDU and generating a second PDU including the first PDU in a payload of the second PDU, by a second transmission entity that operates between the first transmission entity and a physical layer; inserting the multiplexing information for identification of the logical channel corresponding to said at least one first PDU into header information of the second PDU; and transmitting the second PDU through the physical layer.

In accordance with another aspect of the present invention, there is provided a method for receiving data via a MAC protocol in a mobile communication system, the method including receiving, by a first reception entity, a first PDU including header information and a payload through a physical layer; reading multiplexing information for identification of a logical channel corresponding to at least one second PDU contained in the payload and format information of said at least one second PDU, from the header information of the first PDU; and identifying the second PDU from the payload based on the format information and delivering the identified second PDU to a second reception entity.

In accordance with another aspect of the present invention, there is provided an apparatus for transmitting data via a MAC protocol in a mobile communication system, the apparatus including a first transmission entity for inputting at least one Service Data Unit (SDU) containing transmission data through a corresponding logical channel and generating at least one first Protocol Data Unit (PDU) that includes said at least one SDU without including multiplexing information for identification of the logical channel; and a second transmission entity for acquiring the first PDU and generating a second PDU including the first PDU in a payload of the second PDU, inserting the multiplexing information for iden-

tification of the logical channel corresponding to said at least one first PDU into header information of the second PDU, and transmitting the second PDU through the physical layer, the second transmission entity operating between the first transmission entity and a physical layer.

In accordance with another aspect of the present invention, there is provided an apparatus for receiving data via a MAC protocol in a mobile communication system, the apparatus including a first reception entity for receiving a first PDU including header information and a payload through a physical layer, reading multiplexing information for identification of a logical channel corresponding to at least one second PDU contained in the payload and format information of said at least one second PDU, from the header information of the first PDU, identifying the second PDU from the payload based on the format information, and outputting the second PDU; and a second reception entity for delivering the second PDU to a higher layer entity.

BRIEF DESCRIPTION OF THE DRAWINGS

The above and other aspects, features and advantages of the present invention will be more apparent from the following detailed description taken in conjunction with the accompanying drawings, in which:

FIG. 1 is a block diagram illustrating a MAC-d sub-layer structure of a UE side according to one embodiment of the present invention;

FIG. 2 is a block diagram illustrating a MAC-hs sub-layer structure of a UE side according to one embodiment of the present invention;

FIG. 3 illustrates a format and a function of a MAC-hs PDU according to one embodiment of the present invention;

FIG. 4 illustrates a format and a function of a MAC-d PDU mapped to an HS-DSCH according to one embodiment of the present invention;

FIG. 5 is a block diagram illustrating a MAC-d sub-layer structure of a UE side according to an embodiment of the present invention;

FIG. 6 is a block diagram illustrating a MAC-hs sub-layer structure of a UE side for identifying logical channels according to an embodiment of the present invention;

FIG. 7 illustrates a format and a function of a MAC-d PDU without its header according to an exemplary embodiment of the present invention;

FIG. 8 illustrates a format and a function of a MAC-hs PDU containing multiplexing information for identification of logical channels within its header according to an embodiment of the present invention;

FIG. 9 illustrates a format and a function of a MAC-hs PDU including no multiplexed logical channels according to an embodiment of the present invention; and

FIG. 10 is a flow diagram illustrating an operation of a receiver according to an embodiment of the present invention.

DETAILED DESCRIPTION OF THE EXEMPLARY EMBODIMENT

Hereinafter, exemplary embodiments of the present invention will be described with reference to the accompanying drawings. In the following description, a detailed description of known functions and configurations incorporated herein will be omitted when it may make the subject matter of the present invention rather unclear. Terms used herein are defined in consideration of their functions in the present invention and may change depending on an intention or cus-

tom of a user or an operator. Therefore, those terms should be defined on the basis of the entire contents of the present specification.

A main idea of the present invention is to achieve byte alignment of a MAC header by efficiently identifying logical channels in a MAC header contained within a MAC Protocol Data Unit (PDU) in a MAC layer of a mobile communication system supporting HSPA.

The following detailed description of the present invention is based on a 3GPP (3rd Generation Partnership Project) LTE (Long-Term Evolution) system. However, a MAC operation for HSPA according to the present invention is also applicable to other mobile communication systems having similar technical backgrounds and channel types, with slight modification without departing from the scope of the present invention.

As one example of a MAC layer operation, a MAC structure for supporting High Speed Downlink Packet Access (HSDPA) of the 3GPP system will now be described. When the HSDPA is employed, the MAC layer is classified into a MAC-d sub-layer that controls dedicated transmission channels in order to support the typical multiplexing operation according to a MAC protocol, and a MAC-hs sub-layer that controls High Speed Downlink Shared Channel (HS-DSCH) in order to additionally support the HSDPA operation.

FIG. 1 is a block diagram illustrating a structure of a MAC-d sub-layer of a User Equipment (UE) side according to one embodiment of the present invention.

Referring to FIG. 1, in order to communicate with entities including a MAC-hs entity supporting an HSDPA operation, a MAC-c/sh entity for control signaling, and a MAC-e/es entity for transmission and signaling of Enhanced uplink Dedicated Channel (E-DCH) for High Speed Uplink Packet Access (HSUPA), a MAC-d entity **102** includes a switching block **104**, a deciphering block **108**, Control and Traffic Multiplexers (C/T MUXs) **106** and **110**, an Up-Link (UL) Transport Format Combination (TFC) selecting block **112**, and a ciphering block **114**.

The ciphering block **114** encodes MAC-d PDUs, and the UL TFC selecting block **112** selects a TFC indicating transport formats of transmission channels used for UL transmission. The C/T MUXs **110** and **106** analyze header information of the MAC-d PDUs, so as to demultiplex the MAC-d PDUs into MAC-d SDUs or generate MAC-d PDUs by multiplexing the MAC-d SDUs with header information. The deciphering block **108** decodes the encoded MAC-d SDUs. The switching block **104** maps MAC-d SDUs (which are also called "MAC SDUs") of a Dedicated Control Channel (DCCH) and a Dedicated Traffic Channel (DTCH), which are logical channels, to corresponding transmission channels according to the transmission channel types.

FIG. 2 is a block diagram illustrating a structure of a MAC-hs sub-layer of a UE side according to one embodiment of the present invention.

Referring to FIG. 2, in order to support an HSDPA operation between the MAC-d entity and a physical layer, a MAC-hs entity **202** includes disassembly blocks **204a** and **204b** (**204**), reordering queues **206a** and **206b** (**206**), a reordering queue distribution block **208**, and a Hybrid Automatic Repeat reQuest (HARQ) processor **210**.

The HARQ processor **210** receives MAC-hs PDUs from the physical layer through an HS-DSCH for supporting HSDPA and performs an HARQ operation. Then, the HARQ processor **210** delivers MAC-hs PDUs successfully received through the HARQ operation to the reordering queue distribution block **208**. The reordering queue distribution block **208** analyzes header information of the MAC-hs PDUs and

5

delivers the analyzed MAC-hs PDUs to the reordering queues **206** corresponding to associated DCHs. The reordering queues **206** store the MAC-hs PDUs until the disassembly blocks **204** make a request for reading of the MAC-hs PDUs. The disassembly blocks **204** read the MAC-hs PDUs stored in the reordering queues **206**, disassemble the read MAC-hs PDUs into MAC-hs SDUs, and then outputs the disassembled MAC-hs SDUs as MAC-d PDUs to the MAC-d entity.

FIG. **3** illustrates a format and a function of a MAC-hs PDU according to one embodiment of the present invention.

Referring to FIG. **3**, the MAC-hs PDU includes a MAC-hs header **302** and a MAC-hs payload **304**. The MAC-hs payload **304** contains a plurality of MAC-hs SDUs (i.e. MAC-d PDUs) corresponding to at least one logical channel, and the MAC-hs header **302** contains format information concerning the MAC-d PDUs. The MAC-hs payload **304** optionally contains a padding for byte alignment of the entire MAC-hs PDU. Information fields contained in the MAC-hs header **302** are as follows.

Version Flag (VF) **310** has a length of 1 bit and indicates a protocol version for a MAC-hs PDU format.

Queue identifier (Queue ID) **312** has a length of 3 bits and identifies reordering queues of a receiving side.

Transmission Sequence Number (TSN) **314** has a length of 6 bits and indicates a sequence number used to reorder MAC-hs PDUs.

Size Index Identifier (SID) **320** has a length of 3 bits and indicates the same size of consecutive MAC-d PDUs.

The number of MAC-d PDUs (N) **322** has a length of 7 bits and indicates the number of successive MAC-d PDUs with the same size.

Flag (F) **324** has a length of 1 bit and indicates if there exists a further information field constituting the MAC-hs header **302**. When the F field **324** has a value of "1," this implies the end of the MAC-hs header **302**.

Herein, the combination of the SID field **320**, the N field **322**, and the F field **324** represents a format of each of the multiplexed logical channels. The combination is repeated within the MAC-hs header **302** as many times as the number of multiplexed logical channels.

FIG. **4** illustrates a format and a function of a MAC-d PDU mapped to an HS-DSCH according to one embodiment of the present invention.

Referring to FIG. **4**, the MAC-d PDU includes a C/T field **402** containing multiplexing information and a MAC SDU **404** corresponding to an RLC PDU. When a plurality of dedicated logical channels are mapped to the same MAC-d flow (i.e. HS-DSCH), the C/T field **402** has a length of 4 bits and identifies the logical channels.

Since the padding appended to the MAC-hs PDU shown in FIG. **3** is a padding for byte alignment of the entire MAC-hs PDU, there is a high possibility that byte alignment of the MAC-hs header **302** may not be achieved. Usually, there is a limit in the maximum number of MAC-d PDUs that can be transmitted during one Transmission Time Interval (TTI). For example, in a worst case scenario in which the maximum number of the MAC-d PDUs is 70, 70 MAC-d PDUs include 70 RLC PDUs, and the RLC PDUs are mapped to RLC SDUs with a ratio of 1:1, the 70 RLC PDUs serve as 70 higher layer PDUs. If the MAC-hs header does not have a size corresponding to a multiple of one byte, a UE must perform, during one TTI, a total of 420 times of additional bit operations including two times of bit operation for each of the maximum 210 PDUs as noted from an equation defined below.

$$70(\text{MAC-d PDU}) + 70(\text{RLC PDU}) + 70(\text{PDCP PDU}) \\ = 210(\text{PDUs})$$

6

Moreover, when a MAC-d PDU includes a C/T field having a size of 4 bits, even though a MAC header has a size corresponding to a multiple of one byte, the byte alignment is broken again, which causes unnecessary processing load within the UE.

Furthermore, in the case of employing the structure of FIG. **3**, even if only two logical channels are multiplexed, the UE must perform the bit operation for 70 C/T fields, and network resources are wasted due to transmission of the C/T fields. Such waste of the network resources is more acute, given the fact that only a few logical channels are multiplexed under an actual radio environment. According to the embodiment described later, the MAC-d entity does not identify logical channels by using the C/T fields of the PDUs transmitted from a MAC-hs entity. Instead, the logical channels are identified in the MAC-hs entity itself. In other words, a field for identifying logical channels is inserted into a MAC-hs header.

FIG. **5** is a block diagram illustrating a MAC-d sub-layer structure of a UE side according to an embodiment of the present invention.

Referring to FIG. **5**, in order to communicate with entities including a MAC-hs entity supporting HSDPA operation, a MAC-c/sh entity for control signaling, and a MAC-e/es entity for transmission and signaling of Enhanced uplink Dedicated Channel (E-DCH) for High Speed Uplink Packet Access (HSUPA), a MAC-d entity **502** includes a switching block **504**, a deciphering block **508**, C/T MUXs **506** and **510**, a UL TFC selecting block **512**, and a ciphering block **514**. Compared to the structure of FIG. **1**, when the MAC-hs entity operates in the structure of FIG. **5**, the switching block **504** processes data directly received from the MAC-hs entity without passing through the C/T MUX **506**.

The ciphering block **514** encodes MAC-d PDUs and the UL TFC selecting block **512** selects a TFC indicating transport formats of transmission channels used for UL transmission. The C/T MUXs **510** and **506** analyze header information of the MAC-d PDUs, so as to demultiplex the MAC-d PDUs into MAC-d SDUs or generate MAC-d PDUs by multiplexing the MAC-d SDUs with header information. The deciphering block **508** decodes the encoded MAC-d SDUs. The switching block **504** maps MAC-d SDUs (which are also called "MAC SDUs") of a Dedicated Control Channel (DCCH) and a Dedicated Traffic Channel (DTCH), which are logical channels, to corresponding transmission channels according to the transmission channel types.

FIG. **6** is a block diagram illustrating a MAC-hs sub-layer structure of a UE side for identifying logical channels according to an embodiment of the present invention.

Referring to FIG. **6**, in order to support an HSDPA operation between the MAC-d entity and a physical layer, a MAC-hs entity **602** includes disassembly blocks **604a** and **604b** (**604**), C/T MUXs **612a** and **612b** (**612**), reordering queues **606a** and **606b** (**606**), a reordering queue distribution block **608**, and a Hybrid Automatic Repeat reQuest (HARQ) processor **610**.

The HARQ processor **610** receives MAC-hs PDUs from the physical layer on an HS-DSCH for supporting HSDPA and performs an HARQ operation. Then, the HARQ processor **610** delivers the MAC-hs PDUs successfully received through the HARQ operation to the reordering queue distribution block **608**. The reordering queue distribution block **608** analyzes header information of the MAC-hs PDUs and delivers the analyzed MAC-hs PDUs to the reordering queues **606** corresponding to the associated DCHs. The reordering queues **606** store the MAC-hs PDUs until the C/T MUXs **612** read the MAC-hs PDUs. The C/T MUXs **612** located between the reordering queues **606** and the disassembly blocks **604**

refer to C/T fields contained in MAC-hs headers of the MAC-hs PDUs, so as to identify and demultiplex MAC-hs SDUs contained in the MAC-hs PDU based on corresponding logical channels. The disassembly blocks **604** disassemble the demultiplexed data delivered from the C/T MUXs **612** into MAC-hs SDUs corresponding to each of the logical channels, and then outputs the disassembled MAC-hs SDUs as MAC-d PDUs to the MAC-d entity.

As described above, according to the embodiment of the present invention, a C/T field is inserted into each MAC-hs header, and a MAC-hs entity identifies the multiplexed logical channels within a MAC-hs PDU by using the inserted C/T fields. Since MAC-d PDUs having the same size are used during one TTI for the logical channels, the MAC-d PDUs of the logical channels identified by the C/T fields have the same size. Therefore, MAC-d PDUs included in a data part corresponding to one logical channel identified by a C/T field have the same SID/N/F field values.

As described above, the MAC-hs entity performs identification of the logical channels. Therefore, the MAC-d PDU does not have to contain header information for identification of logical channels. FIG. 7 illustrates a MAC-d PDU format without a header for identification of logical channels according to an embodiment of the present invention. Referring to FIG. 7, the MAC-d PDU includes only a MAC SDU **702** corresponding to an RLC PDU without header information. Therefore, the MAC-d PDU has the same size as the MAC-hs SDU.

FIG. 8 illustrates a format and a function of a MAC-hs PDU containing multiplexing information for identification of logical channels within its header according to an embodiment of the present invention.

Referring to FIG. 8, the MAC-hs PDU includes a MAC-hs header **802** and a MAC-hs payload **804**. The MAC-hs payload **804** contains a plurality of MAC-hs SDUs (i.e. MAC-d PDUs) corresponding to multiple logical channels, and the MAC-hs header **802** contains format and multiplexing information concerning the MAC-d PDUs. The MAC-hs payload **804** optionally contains a padding for byte alignment of the entire MAC-hs PDU. Information fields contained in the MAC-hs header **802** are as follows.

VF **810** has a length of 1 bit and indicates a protocol version for a MAC-hs PDU format.

Queue ID **812** has a length of 3 bits and identifies reordering queues of a receiving side.

TSN **814** has a length of 6 bits and indicates a sequence number used to reorder MAC-hs PDUs.

SID **820** has a length of 3 bits and indicates the same size of successive MAC-d PDUs.

The number of MAC-d PDUs (N) **822** has a length of 7 bits and indicates the number of successive MAC-d PDUs with the same size.

F **824** has a length of 1 bit and indicates if there exists a further information field constituting the MAC-hs header **802**. When the F field **824** has a value of "1", this implies the end of the MAC-hs header **802**.

C/T field (CT) **826** has, for example, a length of 4 bits and identifies the logical channels when multiple dedicated logical channels are mapped to the same MAC-d flow (i.e. HS-DSCH).

Herein, the combination of the SID field **820**, the N field **822**, the F field **824**, and the C/T field **826** represents a format of each of the multiplexed logical channels. The combination is repeated within the MAC-hs header **802** as many times as the number of multiplexed logical channels. By using the structure of the MAC-hs header **802** as described above, it is possible to construct the MAC-d PDU format while identify-

ing logical channels, even without repeatedly using a plurality of identical fields for multiple MAC-d PDUs of one logical channel.

The order of the information fields located in the above-described combination can be variously selected according to the design of a system. As shown in FIG. 8, the C/T field **826** is present within the MAC-hs header, and the MAC-hs entity identifies logical channels multiplexed within the MAC-hs PDU by using the C/T field **826**.

A Header Padding (HP) field **830** is appended to the end of the MAC-hs header **802**. The HP field **830** is a variable field having a bit size of 0 to 7. The bit size is determined from among values of 0 to 7 such that the entire MAC-hs header has a size corresponding to a multiple of one byte (8 bits). All of the bit values contained in the HP field **830** usually have a value of zero (all '0'). The end of the MAC-hs header **802** except for the HP field **830** is identified by an F field having a value of "1". Therefore, a UE can recognize that the first MAC-hs SDU (i.e. MAC-hs payload **804**) starts from the first byte directly following the F field having a value of "1."

Meanwhile, when the MAC-hs PDU does not include plural multiplexed logical channels, the MAC-hs header **802** does not have to contain C/T fields for identification of the logical channels. Therefore, a C/T field is set to have a particular value that is not used for identification of a logical channel, for example, "1111", as a value for indicating "No multiplexing (Non MUX)." When a UE identifies that the first C/T field has a value of "1111", the UE determines that there exists no more C/T field. For example, Table 1 below shows definition of values of the C/T field.

TABLE 1

C/T field	definition
0000	LC 1
0001	LC 2
...	...
1110	LC 15
1111	Non Mux

FIG. 9 illustrates a format and a function of a MAC-hs PDU including no multiplexed logical channels according to an embodiment of the present invention.

Referring to FIG. 9, the MAC-hs PDU includes a MAC-hs header **902** and a MAC-hs payload **904**. Since the MAC-hs PDU does not include multiplexed logical channels, the MAC-hs payload **904** contains MAC-hs SDUs (i.e. MAC-d PDUs) corresponding to one logical channel, and the MAC-hs header **902** contains format and multiplexing information for the MAC-d PDUs. The MAC-hs payload **904** optionally contains a padding for byte alignment of the entire MAC-hs PDU. Information fields contained in the MAC-hs header **902** are as follows.

VF **910** has a length of 1 bit and indicates a protocol version of a MAC-hs PDU format.

Queue ID **912** has a length of 3 bits and identifies reordering queues of a receiving side.

TSN **914** has a length of 6 bits and indicates a sequence number used to reorder MAC-hs PDUs.

SID **920** has a length of 3 bits and indicates the same size of successive MAC-d PDUs.

N **922** has a length of 7 bits and indicates the number of successive MAC-d PDUs with the same size.

F **924** has a length of 1 bit and indicates if there exists a further information field constituting the MAC-hs header **902**. When the F field **924** has a value of "1", this implies the end of the MAC-hs header **902**.

CT field **926** has, for example, a length of 4 bits and identifies logical channels.

Herein, only one combination of the SID field **920**, the N field **922**, the F field **924**, and the C/T field **926** exists within the MAC-hs header **302**, and the C/T field **926** is set to "1111," which indicates that no logical channel multiplexing is used, and the F field **924** is set to have a value of "1" in order to indicate that it is the end of the MAC-hs header.

A Header Padding (HP) field **930** is appended to the end of the MAC-hs header **902**. The HP field **930** is a variable field having a bit size of 0 to 7. The bit size is determined from among values of 0 to 7 such that the entire MAC-hs header has a size corresponding to a multiple of one byte (8 bits).

A MAC-d transmission entity provided at a transmitter in order to support the MAC-hs formats as shown in FIGS. **8** and **9** delivers an RLC PDU (i.e. MAC SDU) provided from an RLC layer entity to a MAC-hs transmission entity without appending a C/T field to the RLC PDU, that is, without identifying a corresponding logical channel. Then, the MAC-hs transmission entity configures a MAC-hs PDU including MAC-d PDUs provided from at least one RLC layer entity, and inserts a C/T field for identifying each logical channel into a MAC-hs header within the MAC-hs PDU. Further, when the MAC-hs header is not byte-aligned, the MAC-hs transmission entity appends a header padding field having a size necessary for the byte alignment to the MAC-hs header. To this end, the MAC-hs transmission entity receives information required to set a C/T field, from the MAC-d transmission entity or directly from the RLC layer entity.

FIG. **10** is a flowchart showing an operation of a receiver according to an embodiment of the present invention.

Referring to FIG. **10**, in step **1002**, the receiver receives reordered MAC-hs PDU through the reordering queue. In step **1004**, the receiver determines if logical channel multiplexing has been used, based on a value of the first C/T field (i.e. CT_1) contained in a MAC-hs header within the MAC-hs PDU. When the CT_1 has a value of "1111," the receiver determines that the logical channel multiplexing has not been used, the receiver proceeds to step **1006** in which the receiver reads a combination of CT_1 , SID_1 , and N_1 , (i.e. the first header information) from the MAC-hs header, stores the read combination, and then proceeds to step **1008**.

On the other hand, when logical channel multiplexing has been used, the receiver initializes a variable "n" for identification of logical channels to zero in step **1012**. Then, in step **1014**, the receiver increases the value of the variable "n" by one. In step **1016**, the receiver reads a combination of CT_n , SID_n , and N_n from the MAC-hs header and stores the read combination. Then, in step **1018**, the receiver determines if an F_n field subsequent to the read combination of the information fields has a value of "1," in order to determine if it is the end of the MAC-hs header. As a result of the determination in step **1018**, when the F_n field does not have a value of "1," the receiver returns to step **1014** in order to read a next information field of the MAC-hs header. Otherwise, the receiver proceeds to step **1008**.

In step **1008**, the receiver decodes at least one combination of the stored CT_k , SID_k , and N_k (wherein $k=0, 1, \dots, n$), identifies at least one MAC-d PDU contained in the MAC-hs PDU according to the decoded CT_k , SID_k , and N_k , and delivers the at least one MAC-d PDU to a MAC-d entity, which is a higher layer entity. In this case, the MAC-hs entity of the receiver delivers the C/T field extracted from the MAC-hs header to the MAC-d entity, so that the MAC-d entity can refer to the extracted C/T field in delivering the MAC-d PDU to an RLC layer entity through a corresponding logical channel. In step **1010**, the receiver removes the information fields,

the HP field, and the padding of the stored MAC-hs header, and then terminates the operation.

In the present invention as described above, it is possible to remove a bit operation and a bit offset managing operation, which may occur due to unaligned bytes in a header field, and it is possible to prevent waste of system resources due to memory copying, in a mobile communication system. That is, in the present invention, identification of logical channels is performed by a MAC-hs entity, and appending of a header padding (HP) field guarantees byte alignment for layer-2 PDUs. Moreover, the present invention can reduce load due to additional processing, such as a bit operation or memory copying, in a receiver requiring high speed data transmission.

While the present invention has been shown and described with reference to certain exemplary embodiments thereof, it will be understood by those skilled in the art that various changes in form and details may be made therein without departing from the spirit and scope of the invention as defined by the appended claims.

What is claimed is:

1. A method for transmitting data via a MAC (Media Access Control) protocol in a mobile communication system, the method comprising the steps of:

inputting at least one Service Data Unit (SDU) containing transmission data through a corresponding logical channel and generating at least one first Protocol Data Unit (PDU) that includes said at least one SDU without including multiplexing information for identification of the logical channel, by a first transmission entity; acquiring the first PDU and generating a second PDU including the first PDU in a payload of the second PDU, by a second transmission entity that operates between the first transmission entity and a physical layer; inserting the multiplexing information for identification of the logical channel corresponding to said at least one first PDU into header information of the second PDU; and transmitting the second PDU through the physical layer.

2. The method of claim **1**, wherein the header information of the second PDU is configured to achieve byte alignment.

3. The method of claim **1**, wherein, when the second PDU includes only one first PDU from a single logical channel, the multiplexing information is set to have a predetermined value indicating that logical channel multiplexing is not used.

4. The method of claim **1**, wherein the header information of the second PDU includes information of an identical size of said at least one first PDU, an N field indicating the number of first PDUs delivered from the logical channel, and an F field indicating if there exists a further information field constituting the header information.

5. The method of claim **4**, wherein the header information of the second PDU further includes a Version Flag field indicating a protocol version of the second PDU, a Queue Identifier field indicating a reordering queue of a receiver for storage of the second PDU, and a Transmission Sequence Number field of the second PDU.

6. The method of claim **1**, wherein the header information of the second PDU includes multiplexing information and format information, which are not repeated for multiple PDUs from one logical channel.

7. A method for receiving data via a MAC protocol in a mobile communication system, the method comprising the steps of:

receiving, by a first reception entity, a first PDU including header information and a payload through a physical layer;

11

reading multiplexing information for identification of a logical channel corresponding to at least one second PDU contained in the payload and format information of said at least one second PDU, from the header information of the first PDU; and

identifying the second PDU from the payload based on the format information and delivering the identified second PDU to a second reception entity.

8. The method of claim 7, wherein the header information of the first PDU is configured to achieve byte alignment.

9. The method of claim 7, further comprising determining that the first PDU includes only one second PDU from only one logical channel, when the multiplexing information is set to have a predetermined value indicating that logical channel multiplexing is not used.

10. The method of claim 7, wherein the header information of the first PDU includes information of an identical size of said at least one second PDU, an N field indicating the number of second PDUs delivered from the logical channel, and an F field indicating if there exists a further information field constituting the header information.

11. The method of claim 10, wherein the header information of the first PDU further includes a Version Flag field indicating a protocol version of the first PDU, a Queue Identifier field indicating a reordering queue of a receiver for storage of the first PDU, and a Transmission Sequence Number field of the first PDU.

12. The method of claim 7, wherein the header information of the first PDU includes multiplexing information and format information, which are not repeated for multiple PDUs from one logical channel.

13. An apparatus for transmitting data via a MAC protocol in a mobile communication system, the [method] apparatus comprising:

a first transmission entity for inputting at least one Service Data Unit (SDU) containing transmission data through a corresponding logical channel and generating at least one first Protocol Data Unit (PDU) that includes said at least one SDU without including multiplexing information for identification of the logical channel; and

a second transmission entity for acquiring the first PDU and generating a second PDU including the first PDU in a payload of the second PDU, inserting the multiplexing information for identification of the logical channel corresponding to said at least one first PDU into header information of the second PDU, and transmitting the second PDU through the physical layer, the second transmission entity operating between the first transmission entity and a physical layer.

14. The apparatus of claim 13, wherein the second transmission entity configures the header information of the second PDU to achieve byte alignment.

15. The apparatus of claim 13, wherein, when the second PDU includes only one first PDU from a single logical channel, the second transmission entity sets the multiplexing information to have a predetermined value indicating that logical channel multiplexing is not used.

16. The apparatus of claim 13, wherein the header information of the second PDU includes information of an identical size of said at least one first PDU, an N field indicating the number of first PDUs delivered from the logical channel, and an F field indicating if there exists a further information field constituting the header information.

17. The apparatus of claim 16, wherein the header information of the second PDU further includes a Version Flag field indicating a protocol version of the second PDU, a Queue Identifier field indicating a reordering queue of a

12

receiver for storage of the second PDU, and a Transmission Sequence Number field of the second PDU.

18. The apparatus of claim 13, wherein the header information of the second PDU includes multiplexing information and format information, which are not repeated for multiple PDUs from one logical channel.

19. An apparatus for receiving data via a MAC protocol in a mobile communication system, the apparatus comprising:

a first reception entity for receiving a first PDU including

header information and a payload through a physical layer, reading multiplexing information for identification of a logical channel corresponding to at least one second PDU contained in the payload and format information of said at least one second PDU, from the header information of the first PDU, identifying the second PDU from the payload based on the format information, and outputting the second PDU; and

a second reception entity for delivering the second PDU to a higher layer entity.

20. The apparatus of claim 19, wherein the header information of the first PDU is configured to achieve byte alignment.

21. The apparatus of claim 19, wherein the first reception entity determines that the first PDU includes only one second PDU from only one logical channel, when the multiplexing information is set to have a predetermined value indicating that logical channel multiplexing is not used.

22. The apparatus of claim 19, wherein the header information of the first PDU includes information of an identical size of said at least one second PDU, an N field indicating the number of second PDUs delivered from the logical channel, and an F field indicating if there exists a further information field constituting the header information.

23. The apparatus of claim 22, wherein the header information of the first PDU further includes a Version Flag field indicating a protocol version of the first PDU, a Queue Identifier field indicating a reordering queue of a receiver for storage of the first PDU, and a Transmission Sequence Number field of the first PDU.

24. The apparatus of claim 19, wherein the header information of the first PDU includes multiplexing information and format information, which are not repeated for multiple PDUs from one logical channel.

25. A method for transmitting data via a Media Access Control (MAC) protocol in a mobile communication system, the method comprising the steps of:

receiving, by a first transmission entity, a Service Data Unit (SDU) including transmission data to be transmitted, and generating a first Protocol Data Unit (PDU) including the SDU; and

receiving, by a second transmission entity that operates between the first transmission entity and a physical layer, the first PDU, generating a second PDU including a payload that includes the first PDU, and transmitting the second PDU to the physical layer,

wherein a header of the second PDU includes a first information field identifying a logical channel corresponding to the first PDU,

wherein the header of the second PDU and the second PDU are byte aligned in length, and

wherein the header of the second PDU further includes a length field indicating a length of the first PDU and a second information field indicating whether or not more fields are present in the header of the second PDU.

26. The method of claim 25, wherein the payload of the second PDU further includes a plurality of the first PDUs, and

13

wherein the header of the second PDU further includes a plurality of the first information fields for identifying logical channels corresponding to each of the plurality of the first PDUs, respectively, and

wherein the length field indicates a length of each of the plurality of the first PDUs.

27. The method of claim 25, wherein the header of the second PDU further includes a field corresponding to padding.

28. A method for receiving data via a Media Access Control (MAC) protocol in a mobile communication system, the method comprising the steps of:

receiving, by a first reception entity, a first Protocol Data Unit (PDU) including a header and a payload from a physical layer;

reading information for identifying a logical channel corresponding to a second PDU included in the payload of the first PDU and format information of the second PDU, from the header of the first PDU;

identifying the second PDU from the payload of the first PDU, based on the format information; and

delivering the identified second PDU to a second reception entity,

wherein the header of the first PDU and the first PDU are byte aligned in length, and

wherein the format information comprises a length field indicating a length of the second PDU and an information field indicating whether or not more fields are present in the header of the first PDU.

29. The method of claim 28, wherein the payload of the first PDU further includes a plurality of the second PDUs, and

wherein the header of the first PDU further includes a plurality of the information for identifying logical channels corresponding to each of the plurality of the second PDUs, respectively, and

wherein the length field indicates a length of each of the plurality of the second PDUs.

30. The method of claim 28, wherein the header of the first PDU further includes a field corresponding to padding.

31. An apparatus for transmitting data via a Media Access Control (MAC) protocol in a mobile communication system, the apparatus comprising:

a first transmission entity for receiving a Service Data Unit (SDU) including transmission data to be transmitted and generating a first Protocol Data Unit (PDU) that includes the SDU; and

a second transmission entity, which operates between the first transmission entity and a physical layer, for receiving the first PDU and generating a second PDU including a payload that includes the first PDU, and transmitting the second PDU to the physical layer,

14

wherein a header of the second PDU includes a first information field identifying a logical channel corresponding to the first PDU,

wherein the header of the second PDU and the second PDU are byte aligned in length, and

wherein the header of the second PDU further includes a length field indicating a length of the first PDU and a second information field indicating whether or not more fields are present in the header of the second PDU.

32. The apparatus of claim 31, wherein the payload of the second PDU further includes a plurality of the first PDUs, and

wherein the header of the second PDU further includes a plurality of the first information fields for identifying logical channels corresponding to each of the plurality of the first PDUs, respectively, and

wherein the length field indicates a length of each of the plurality of the first PDUs.

33. The apparatus of claim 31, wherein the header of the second PDU further includes a field corresponding to padding.

34. An apparatus for receiving data via a Media Access Control (MAC) protocol in a mobile communication system, the apparatus comprising:

a first reception entity for receiving a first Protocol Data Unit (PDU) including a header and a payload from a physical layer, reading information for identifying a logical channel corresponding to a second PDU included in the payload of the first PDU and format information of the second PDU, from the header of the first PDU, identifying the second PDU from the payload of the first PDU, based on the format information, and outputting the second PDU; and

a second reception entity for delivering the second PDU to a higher layer entity,

wherein the header of the first PDU and the first PDU are byte aligned in length, and

wherein the format information comprises a length field indicating a length of the second PDU and an information field indicating whether or not more fields are present in the header of the first PDU.

35. The apparatus of claim 34, wherein the payload of the first PDU further includes a plurality of the second PDUs, and

wherein the header of the first PDU further includes a plurality of the information for identifying logical channels corresponding to each of the plurality of the second PDUs, respectively, and

wherein the length field indicates a length of each of the plurality of the second PDUs.

36. The apparatus of claim 34, wherein the header of the first PDU further includes a field corresponding to padding.

* * * * *