

US00RE45162E

(19) **United States**  
(12) **Reissued Patent**  
**Hierzer**

(10) **Patent Number:** **US RE45,162 E**  
(45) **Date of Reissued Patent:** **Sep. 30, 2014**

(54) **LIGHT**  
(71) Applicant: **XAL GmbH**, Graz (AT)  
(72) Inventor: **Andreas Hierzer**, Graz (AT)  
(73) Assignee: **XAL GmbH**, Graz (AT)  
(21) Appl. No.: **29/439,750**  
(22) Filed: **Dec. 14, 2012**

D248,184 S 6/1978 Roberts  
D394,518 S 5/1998 Burrow  
D408,576 S 4/1999 Crosby  
6,283,616 B1 9/2001 Zoroufy  
D545,465 S 6/2007 Bachynsky et al.  
D548,872 S 8/2007 Dubbeldam et al.  
D567,426 S 4/2008 Chiu  
7,740,367 B2 6/2010 Koren  
D628,733 S 12/2010 Cobb et al.  
D629,146 S \* 12/2010 van den Akker ..... D26/89  
D633,638 S 3/2011 Vincent  
D635,711 S 4/2011 Scutella'  
D640,821 S \* 6/2011 Kocks ..... D26/89

**Related U.S. Patent Documents**

Reissue of:  
(64) Patent No.: **Des. 669,208**  
Issued: **Oct. 16, 2012**  
Appl. No.: **29/389,390**  
Filed: **Apr. 11, 2011**

**OTHER PUBLICATIONS**

Forecast, "Ovalle Collection 15", Retrieved Aug. 5, 2012, <eurostylelighting.com>.  
Forecast "Ovalle" Collection 15" ceiling lights. Found at eurostylelighting.com visited Aug. 5, 2010.\*

(30) **Foreign Application Priority Data**

Oct. 11, 2010 (EM) ..... 001766031-0004  
Oct. 11, 2010 (EM) ..... 001766031-0006  
Oct. 11, 2010 (EM) ..... 001766122-0001  
Oct. 11, 2010 (EM) ..... 001766122-0002  
Oct. 11, 2010 (EM) ..... 001766122-0003  
Oct. 11, 2010 (EM) ..... 001766122-0004  
Oct. 11, 2010 (EM) ..... 001766122-0005

\* cited by examiner

*Primary Examiner* — Phillip S Hyder  
(74) *Attorney, Agent, or Firm* — Maschoff Brennan

(51) **LOC (10) Cl.** ..... **26-03**  
(52) **U.S. Cl.**  
USPC ..... **D26/89**; D26/74  
(58) **Field of Classification Search**  
USPC ..... D26/59, 71, 72, 74, 76, 85, 87, 89, 90;  
D23/377, 379, 411; 362/147, 148, 365,  
362/453, 454, 456, 455, 479, 483, 488, 490  
See application file for complete search history.

(57) **CLAIM**  
The ornamental design for a light, as shown and described.

**DESCRIPTION**

FIG. 1 is a lower perspective view of the light showing [our] my new design;  
FIG. 2 is an upper perspective view thereof;  
FIG. 3 is a side view thereof;  
FIG. 4 is a top view thereof; and,  
FIG. 5 is a bottom view thereof.

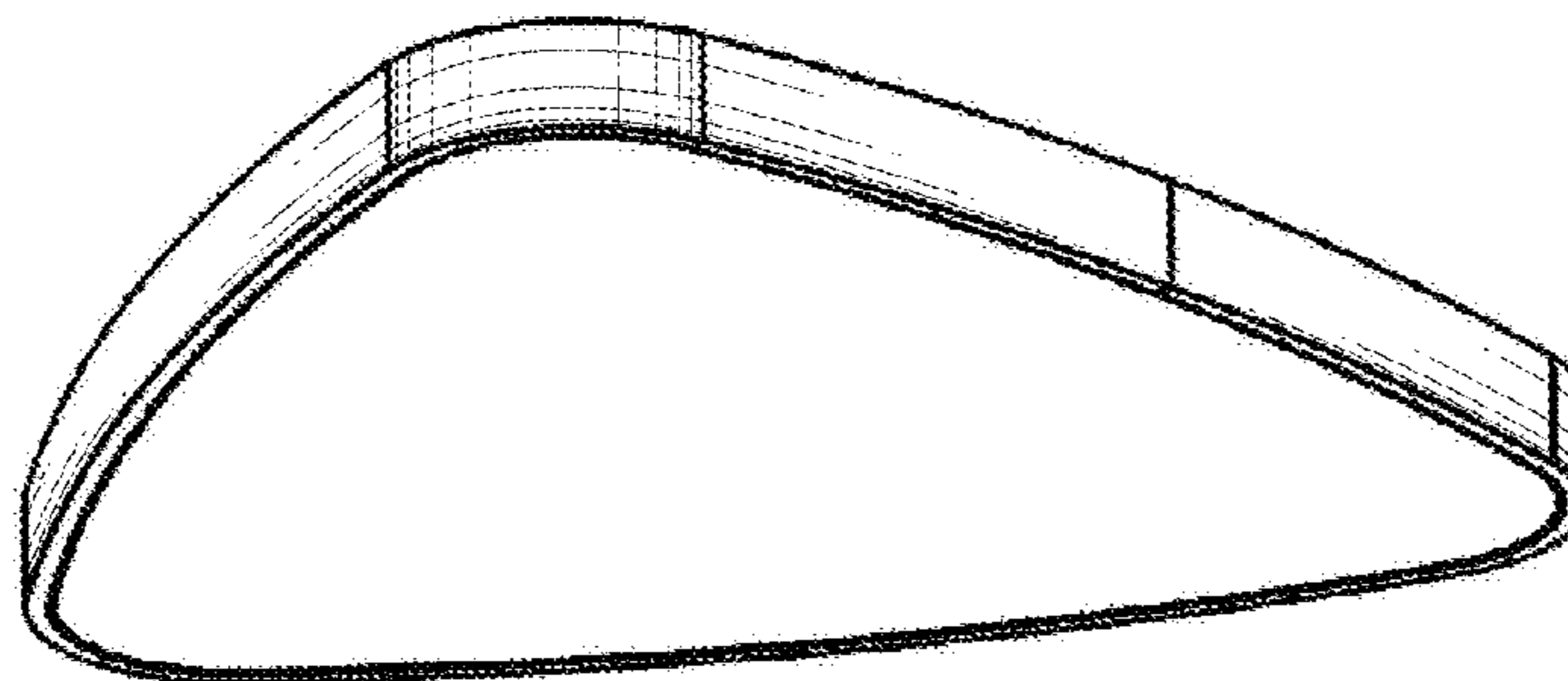
(56) **References Cited**

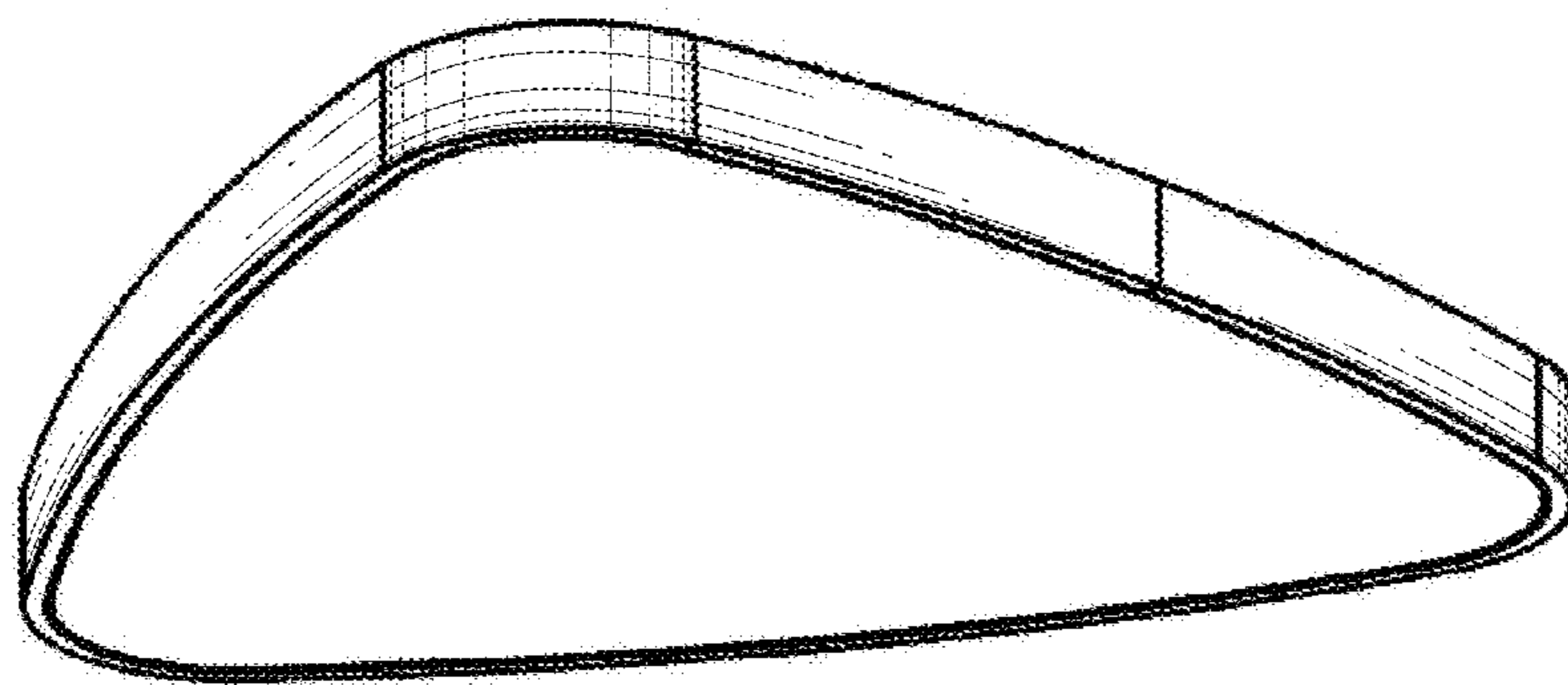
**U.S. PATENT DOCUMENTS**

D187,082 S 1/1930 Parker et al.  
D165,738 S 1/1952 Brochstein

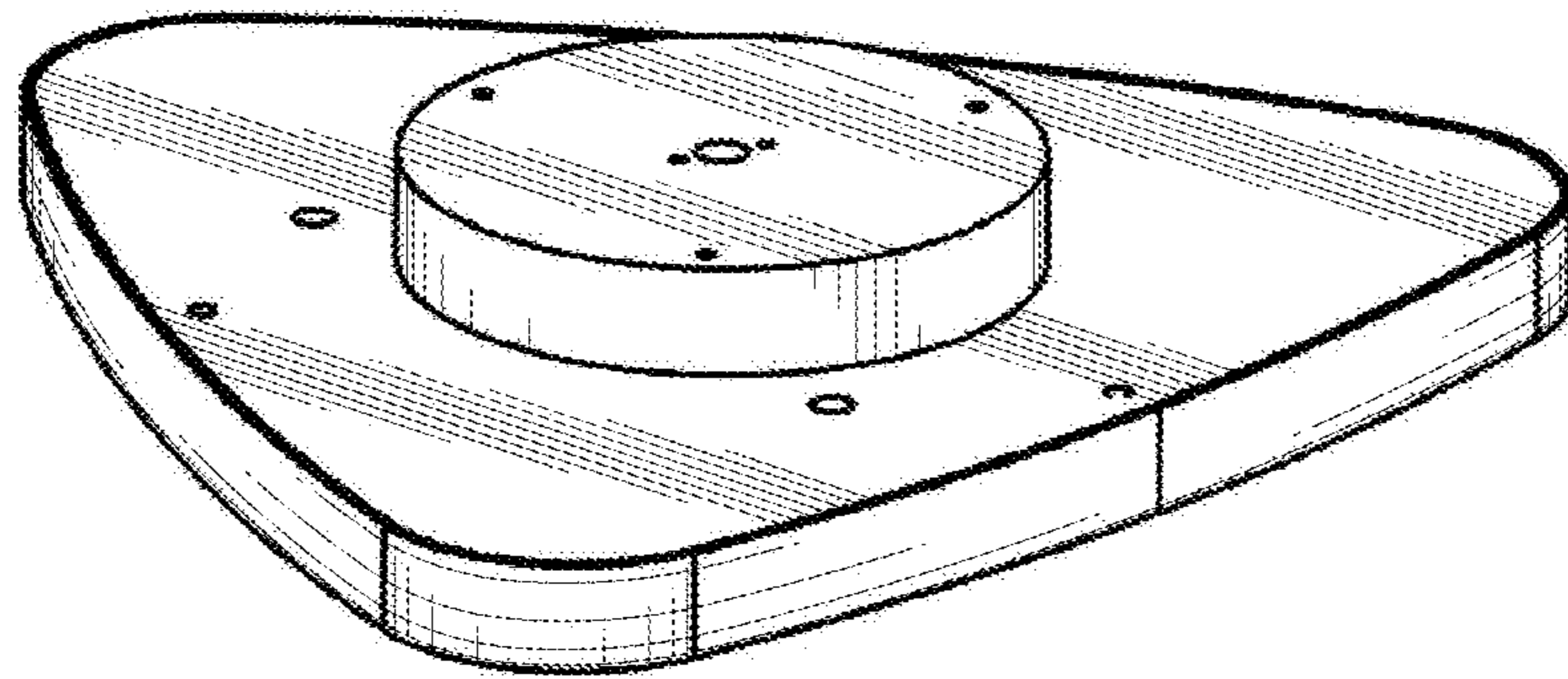
**1 Claim, 5 Drawing Sheets**

**Matter enclosed in heavy brackets [ ] appears in the original patent but forms no part of this reissue; matter printed in italics indicates the additions made by reissue.**

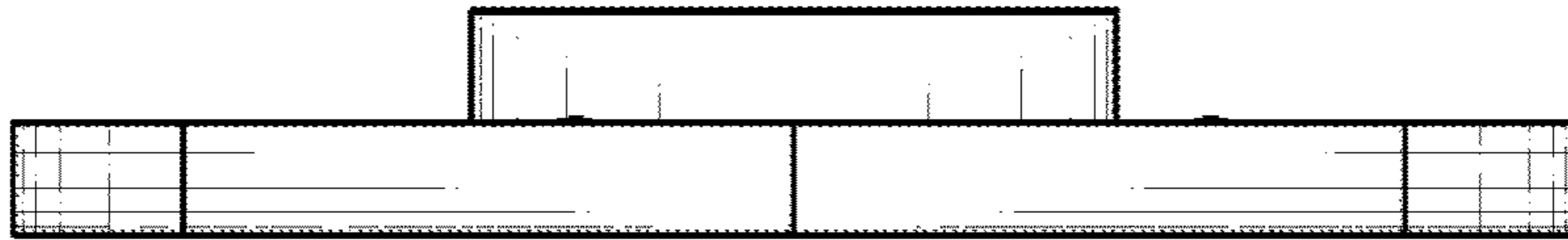




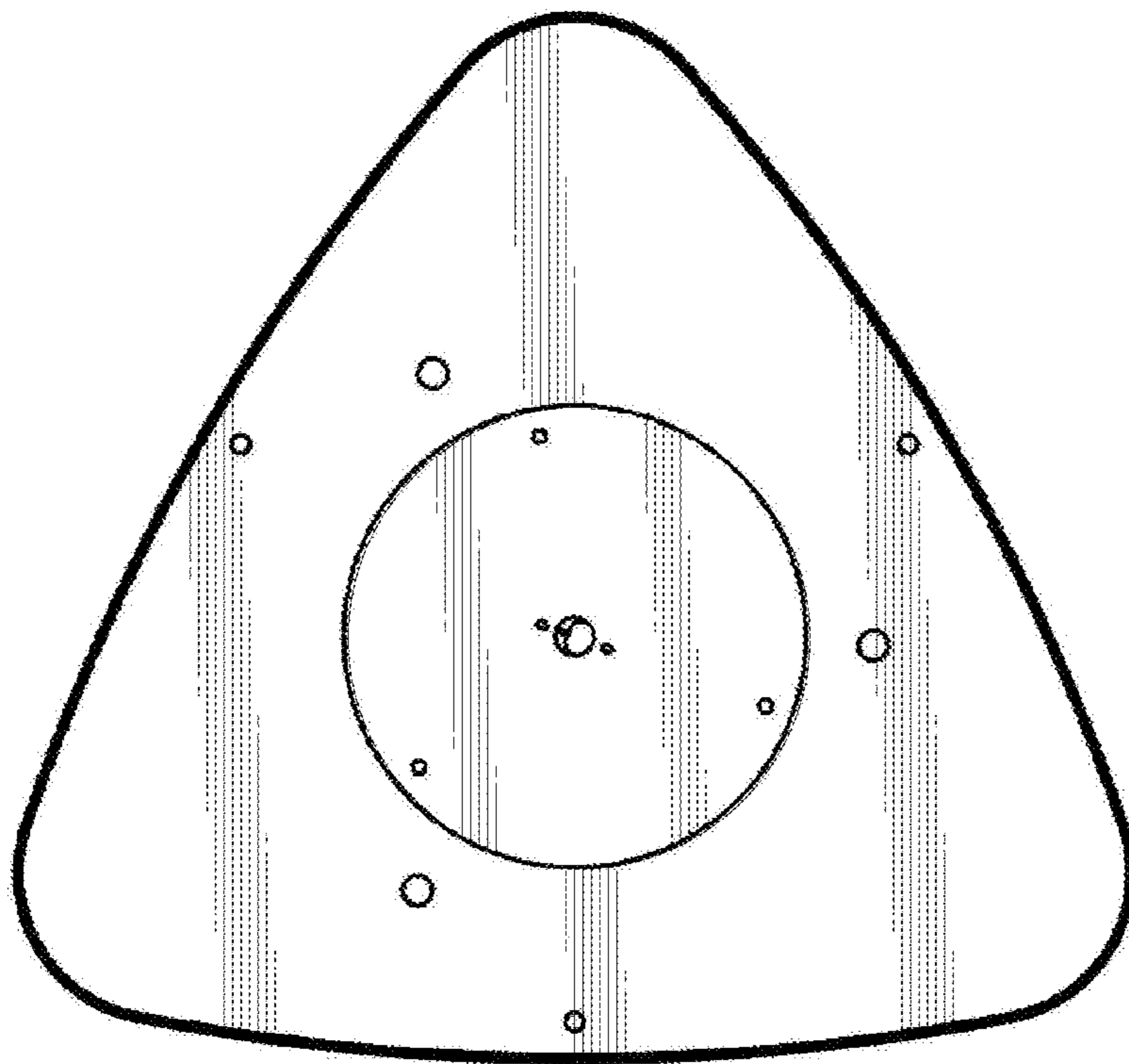
*Fig. 1*



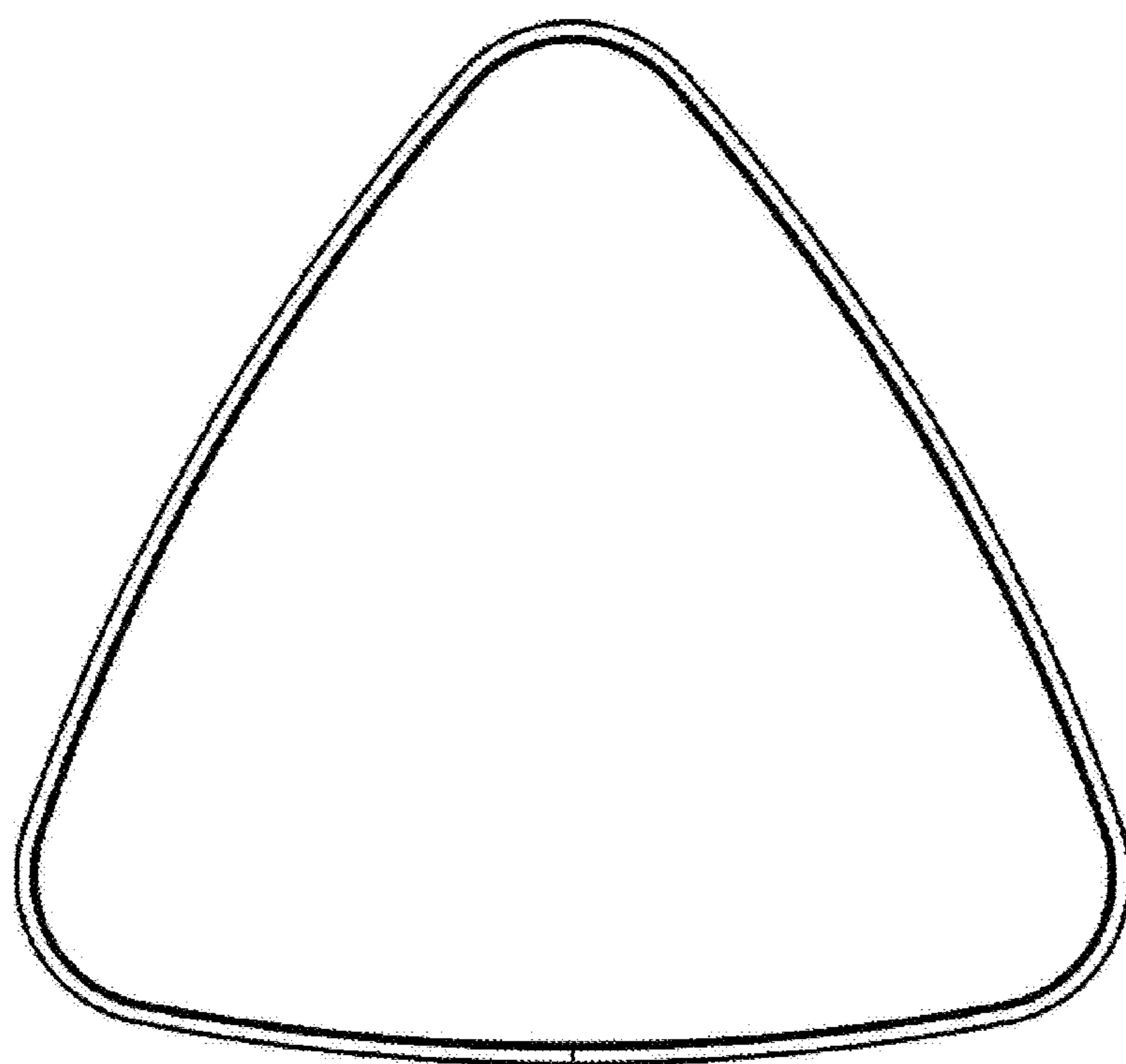
*Fig. 2*



***Fig. 3***



*Fig. 4*



*Fig. 5*