



US00RE45142E

(19) **United States**
(12) **Reissued Patent**
Kehrer et al.

(10) **Patent Number:** **US RE45,142 E**
(45) **Date of Reissued Patent:** **Sep. 23, 2014**

(54) **SINK**

(75) Inventors: **Joachim Kehrer**, Bretten-Bauerbach (DE); **Katherina Pafralidou**, Heilbronn (DE)

(73) Assignee: **Blanco GmbH + Co KG**, Oberderdingen (DE)

(21) Appl. No.: **29/396,840**

(22) Filed: **Jul. 7, 2011**

Related U.S. Patent Documents

Reissue of:

(64) Patent No.: **Des. 632,373**
Issued: **Feb. 8, 2011**
Appl. No.: **29/334,729**
Filed: **Mar. 31, 2009**

U.S. Applications:

(63) Continuation of application No. 29/396,097, filed on Jun. 24, 2011, which is an application for the reissue of Pat. No. Des. 632,373.

(51) **LOC (10) Cl.** **23-02**

(52) **U.S. Cl.**
USPC **D23/293.1**

(58) **Field of Classification Search**
USPC D23/290, 308, 284, 293.1, 304, 303, D23/283; 4/639, 646, 619, 663, 552, 596, 4/597

See application file for complete search history.

(56) **References Cited**

U.S. PATENT DOCUMENTS

2,700,100 A 1/1955 Wissinger
3,116,027 A 12/1963 Kleppin

(Continued)

OTHER PUBLICATIONS

Julien, Inc., Home Refinements Specification, dated 2006, Front and Rear Covers and pp. 1-49 (53 pages total). In particular, the Vintage Collection of Undermount Sinks shown on pp. 24-26.

(Continued)

Primary Examiner — Phillip S Hyder

(74) *Attorney, Agent, or Firm* — Hanley, Flight & Zimmerman, LLC

(57) **CLAIM**

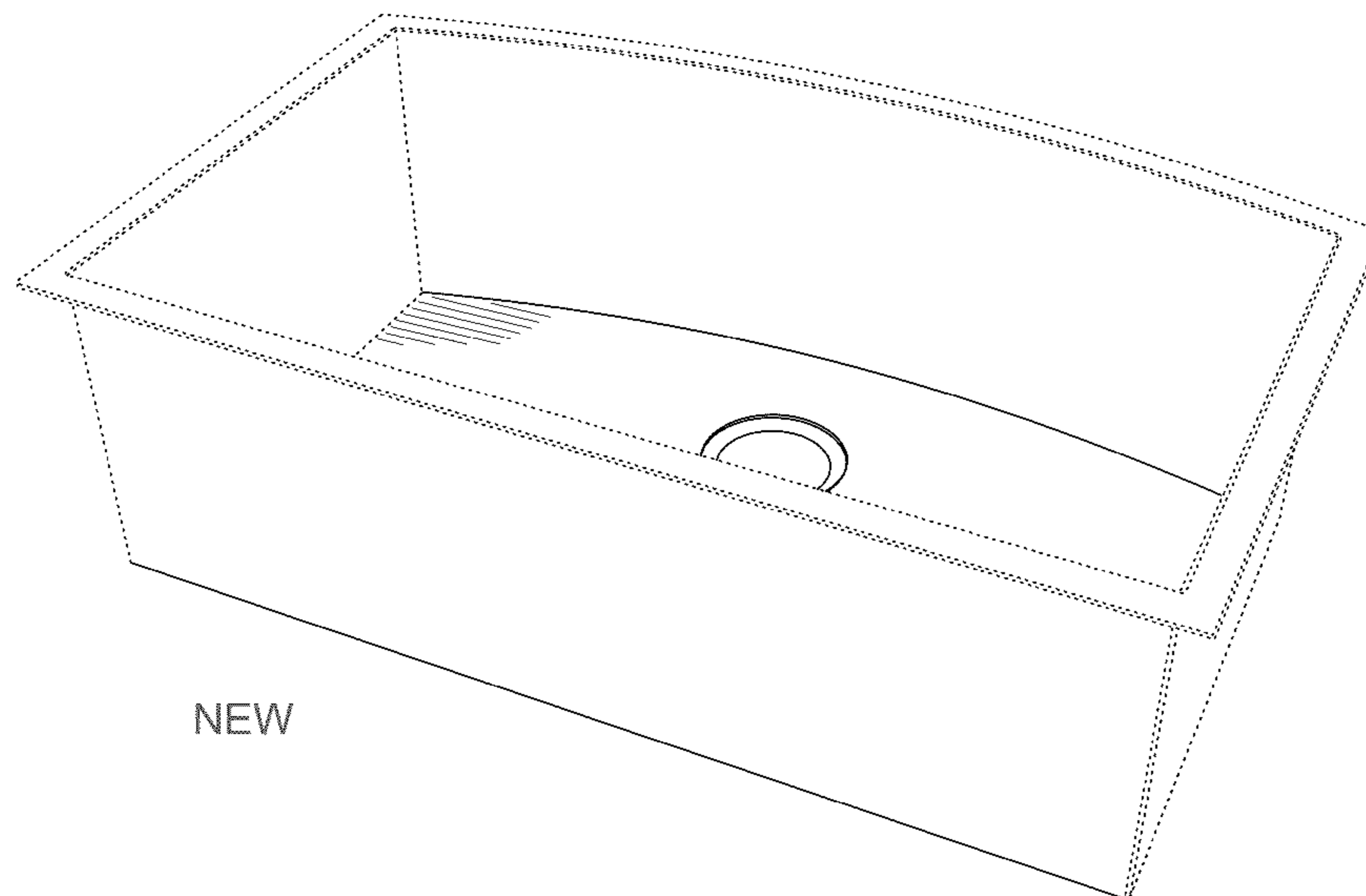
The ornamental design for a “sink,” as shown and described.

DESCRIPTION

[FIG. 1 is a perspective view of the sink from above;]
[FIG. 2 is a top plan view of the sink;]
[FIG. 3 is a bottom plan view of the sink;]
[FIG. 4 is a front view of the sink;]
[FIG. 5 is a rear view of the sink;]
[FIG. 6 is a side view of the sink from the right side; and,]
[FIG. 7 is a side view of the sink from the left side.]
FIG. 8 is a perspective view of the sink from above;
FIG. 9 is a top plan view of the sink;
FIG. 10 is a bottom plan view of the sink;
FIG. 11 is a front view of the sink;
FIG. 12 is a rear view of the sink;
FIG. 13 is a side view of the sink from the right side; and,
FIG. 14 is a side view of the sink from the left side.
The broken lines depict portions of the sink in which the design is embodied that are not considered part of the claimed design.

1 Claim, 14 Drawing Sheets

Matter enclosed in heavy brackets [] appears in the original patent but forms no part of this reissue; matter printed in italics indicates the additions made by reissue.



(56)

References Cited

U.S. PATENT DOCUMENTS

3,763,348	A	10/1973	Costello	
3,952,437	A	4/1976	Mitchell	
4,162,545	A *	7/1979	Hallen	4/650
D351,019	S *	9/1994	Moore et al.	D23/283
5,507,143	A	4/1996	Luttgeharm et al.	
5,744,218	A	4/1998	Barnes	
D394,728	S	5/1998	Alexander	
D396,911	S *	8/1998	DeHavilland	D32/52
5,792,246	A	8/1998	Nishiguchi	
5,881,404	A *	3/1999	Knight	4/645
D480,455	S *	10/2003	Painter et al.	D23/283
D492,983	S *	7/2004	Rachiele	D23/293.1
D497,417	S *	10/2004	Piatt	D23/293.1
D527,808	S *	9/2006	Wozniczka et al.	D23/290
D532,877	S *	11/2006	Hisey	D23/304
D541,912	S *	5/2007	Ziemann	D23/293.1
D544,990	S	6/2007	Guercio	
D547,841	S	7/2007	Ziemann	
D549,806	S	8/2007	Taylor	
D554,241	S *	10/2007	Ziemann	D23/293.1
D575,380	S *	8/2008	Ziemann et al.	D23/293.1
7,484,234	B1	1/2009	Heaton et al.	
D596,722	S *	7/2009	Hisey	D23/304
7,676,971	B2	3/2010	White et al.	
7,797,868	B1	9/2010	Cobb et al.	
D672,850	S *	12/2012	Adams	D23/304
D673,203	S	12/2012	Jacques	
2004/0181870	A1 *	9/2004	Bohacik et al.	4/619
2006/0086025	A1	4/2006	Benedict et al.	
2009/0211122	A1	8/2009	White et al.	

OTHER PUBLICATIONS

Blanco, Manufacturer's Suggested Price List, listing for Blanco Diamond undermount sinks, 2002, front cover, pp. 58-59, and one additional sheet (4 pages total).

Julien Inc., Vintage Collection Undermount Sinks, Undated Literature, pp. 32-36 (5 pages total).

Blanco, Black Diamond Product Literature, Undated, pp. 39-41 (3 pages).

United States Patent and Trademark Office, "Notice of Allowance," issued in connection with U.S. Appl. No. 29/334,729, on Sep. 24, 2010 (5 pages).

United States Patent and Trademark Office, "Final Office Action" issued in connection with U.S. Appl. No. 29/396,097, mailed Nov. 6, 2013, 6 pages.

United States Patent and Trademark Office, "Non-Final Office Action" issued in connection with U.S. Appl. No. 29/396,097, mailed May 13, 2013, 10 pages.

United States Patent and Trademark Office "Advisory Action," issued in connection with U.S. Appl. No. 29/396,097, mailed on Mar. 13, 2014, 3 pages.

United States Patent and Trademark Office, "Office Action," issued in connection with U.S. Appl. No. 29/396,097, mailed on May 12, 2014, 9 pages.

Blanco, Manufacturer's Suggested Price List, listing for Blanco Diamond undermount sinks, 2002 front cover, pp. 58-59, and one additional sheet (4 pages total).

* cited by examiner

CANCELLED

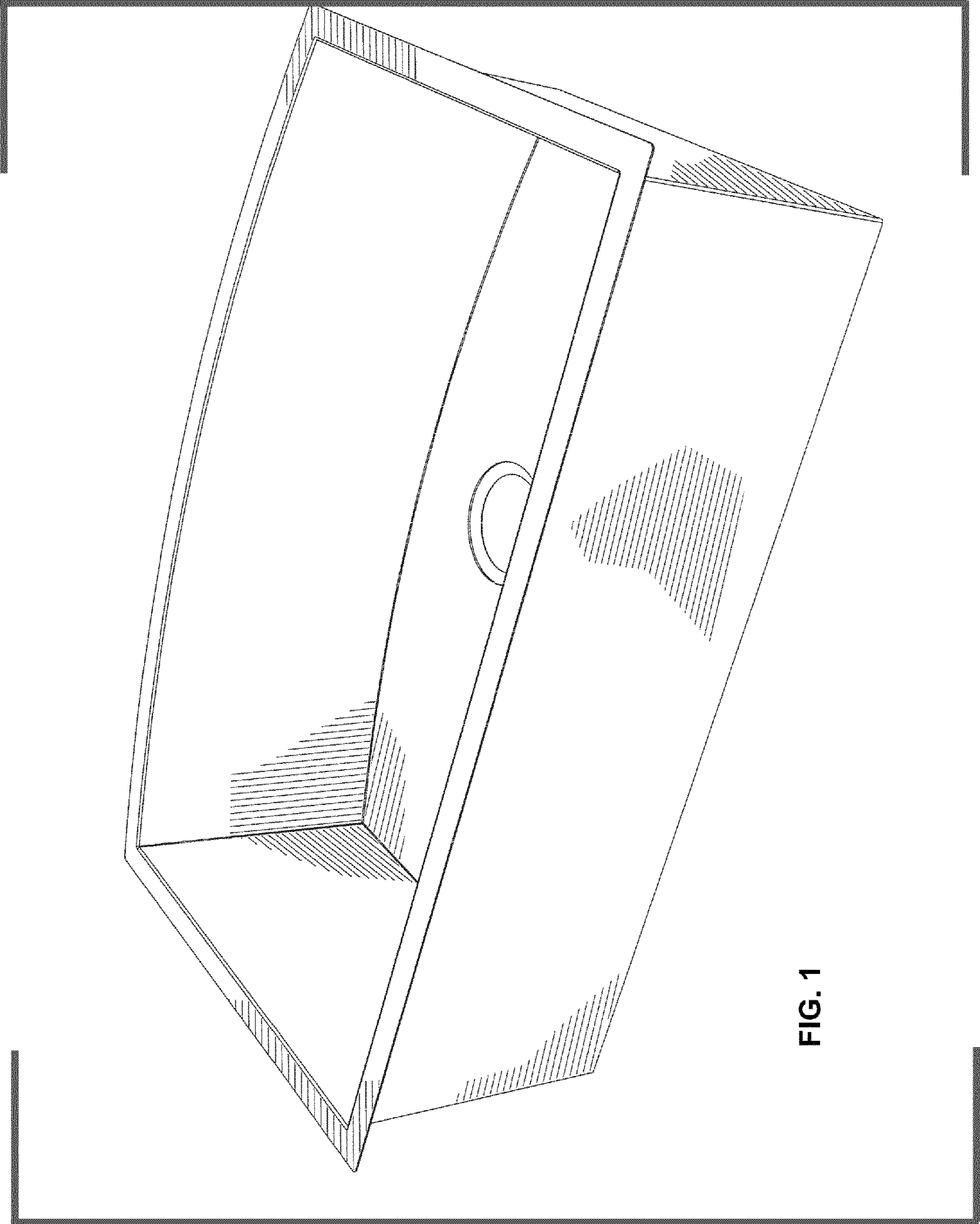


FIG. 1

CANCELLED

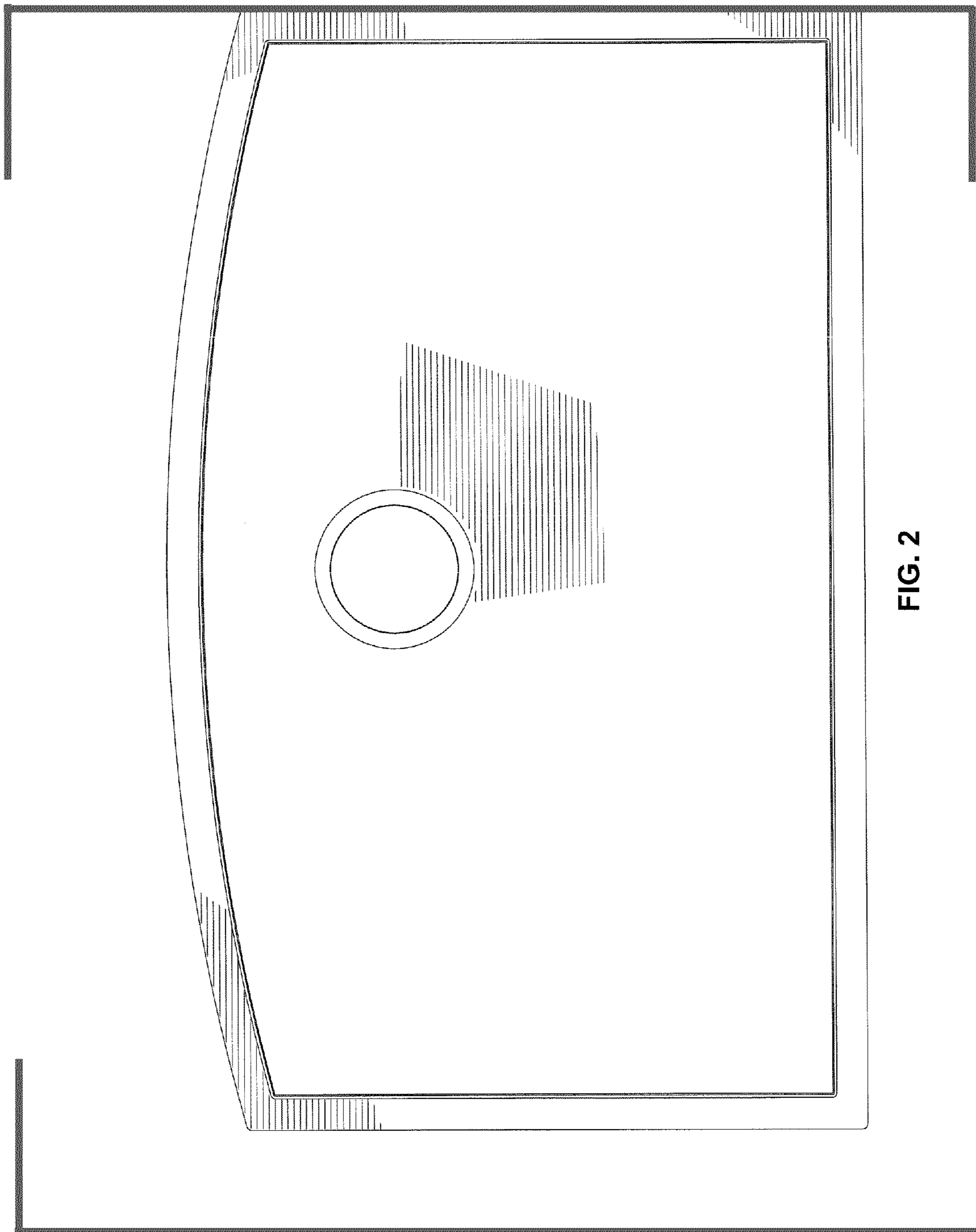


FIG. 2

CANCELLED

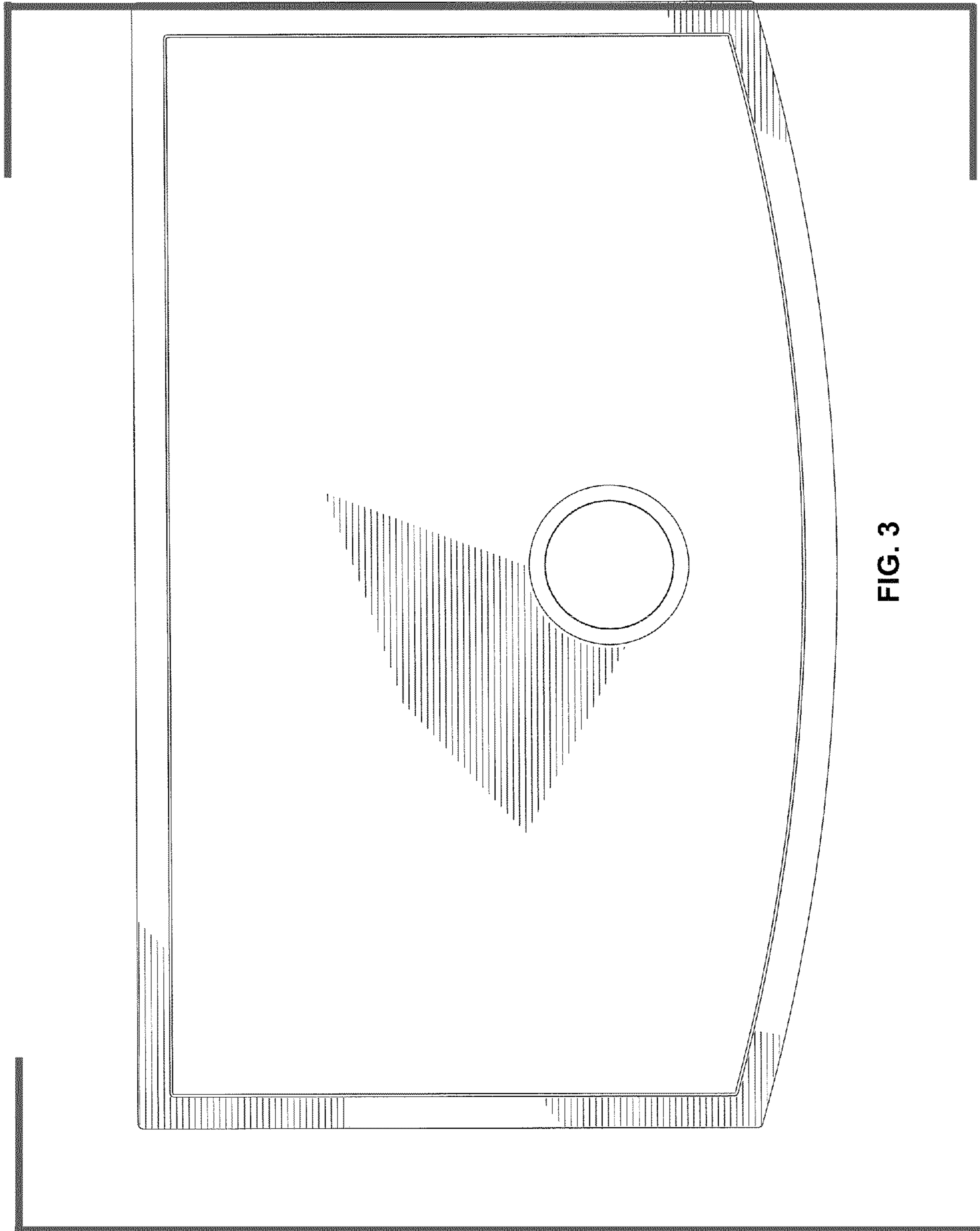


FIG. 3

CANCELLED

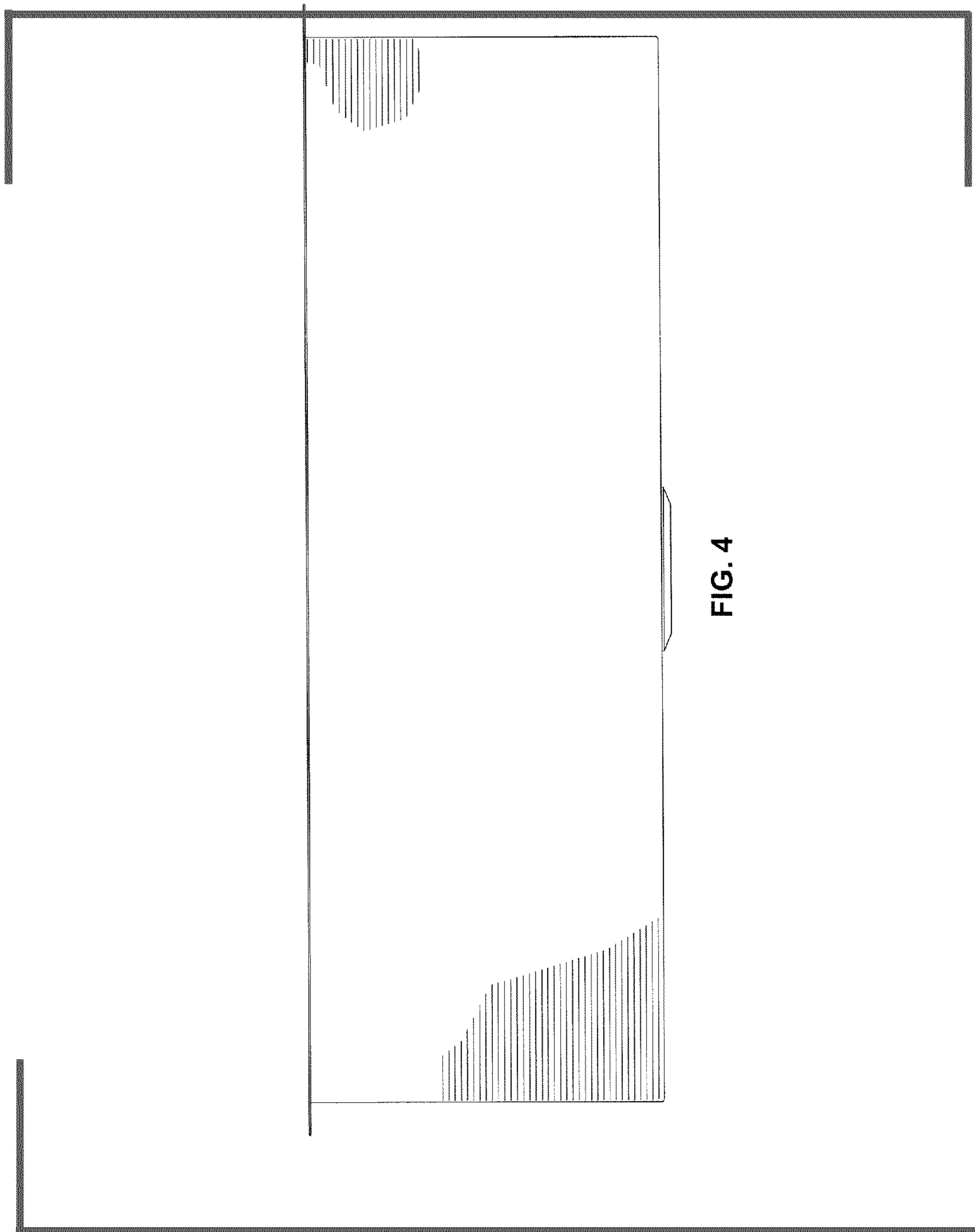


FIG. 4

CANCELLED

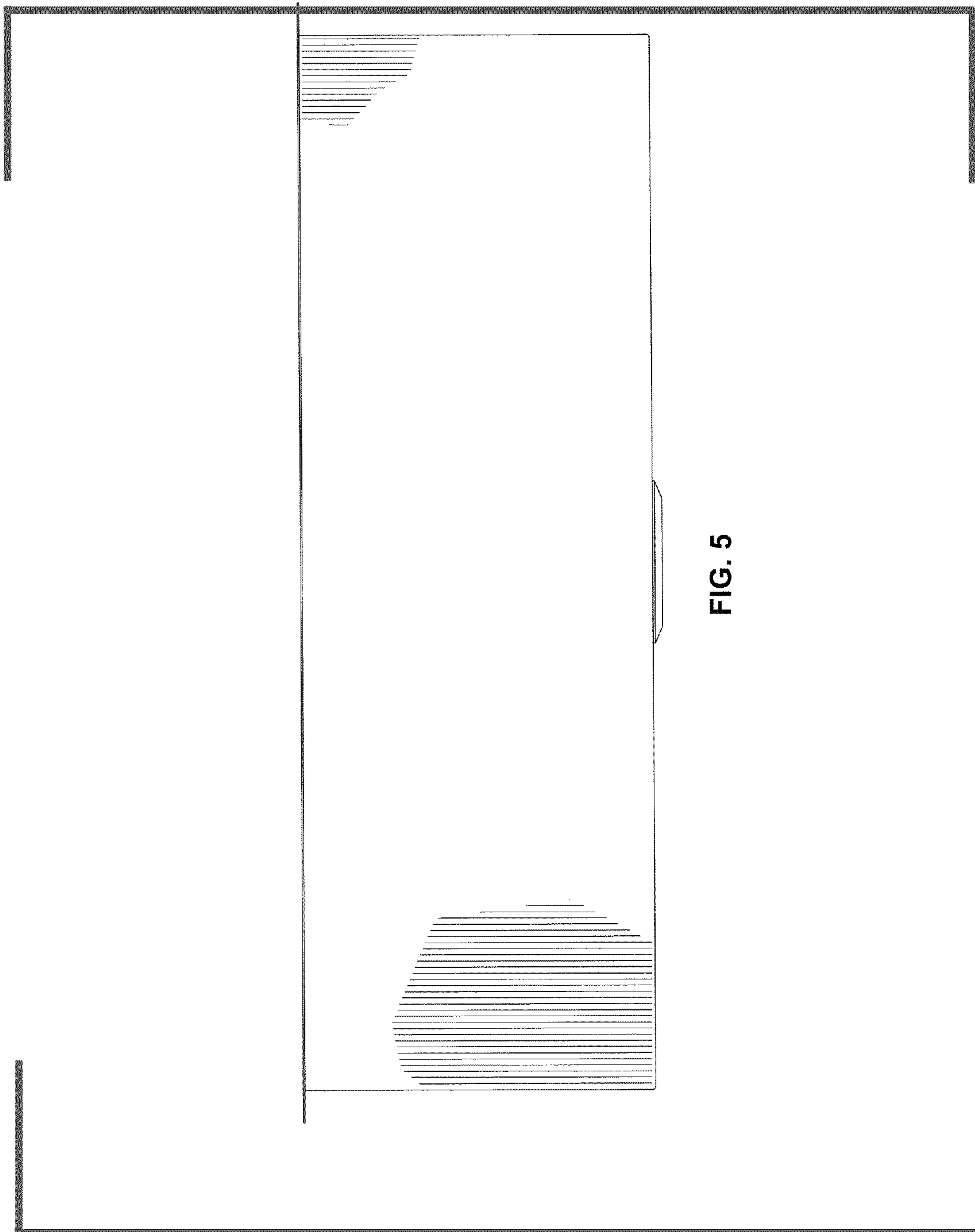


FIG. 5

CANCELLED

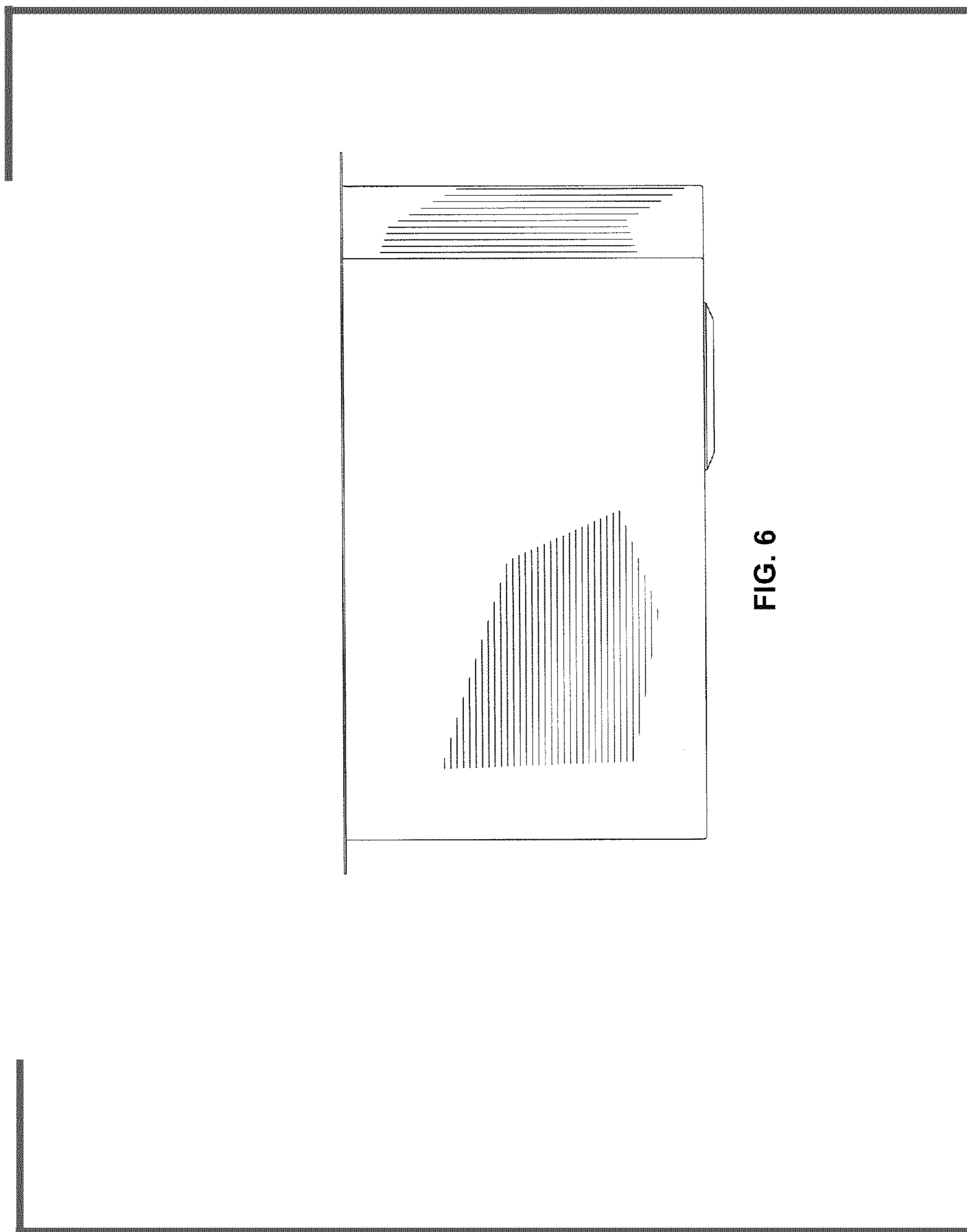


FIG. 6

CANCELLED

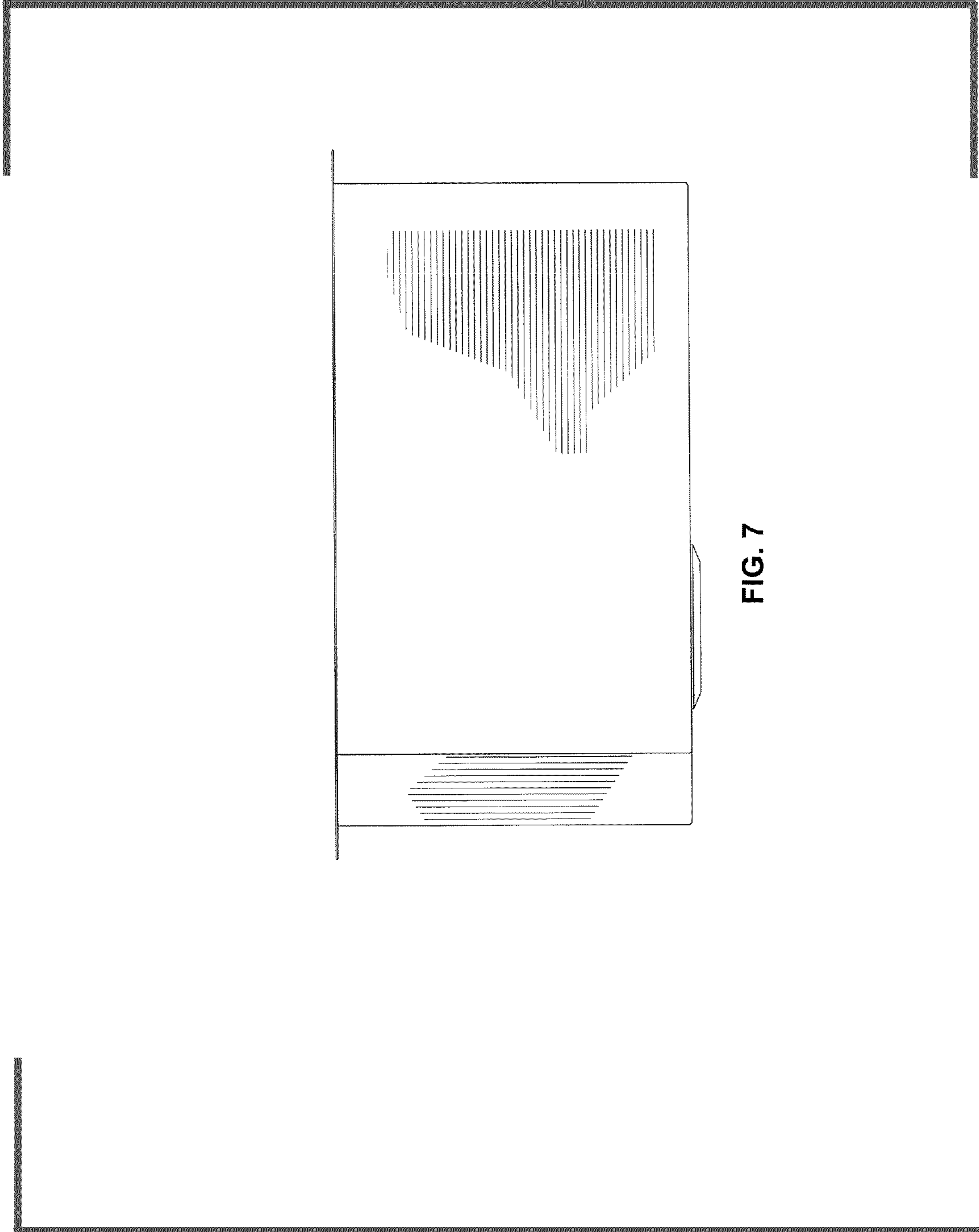
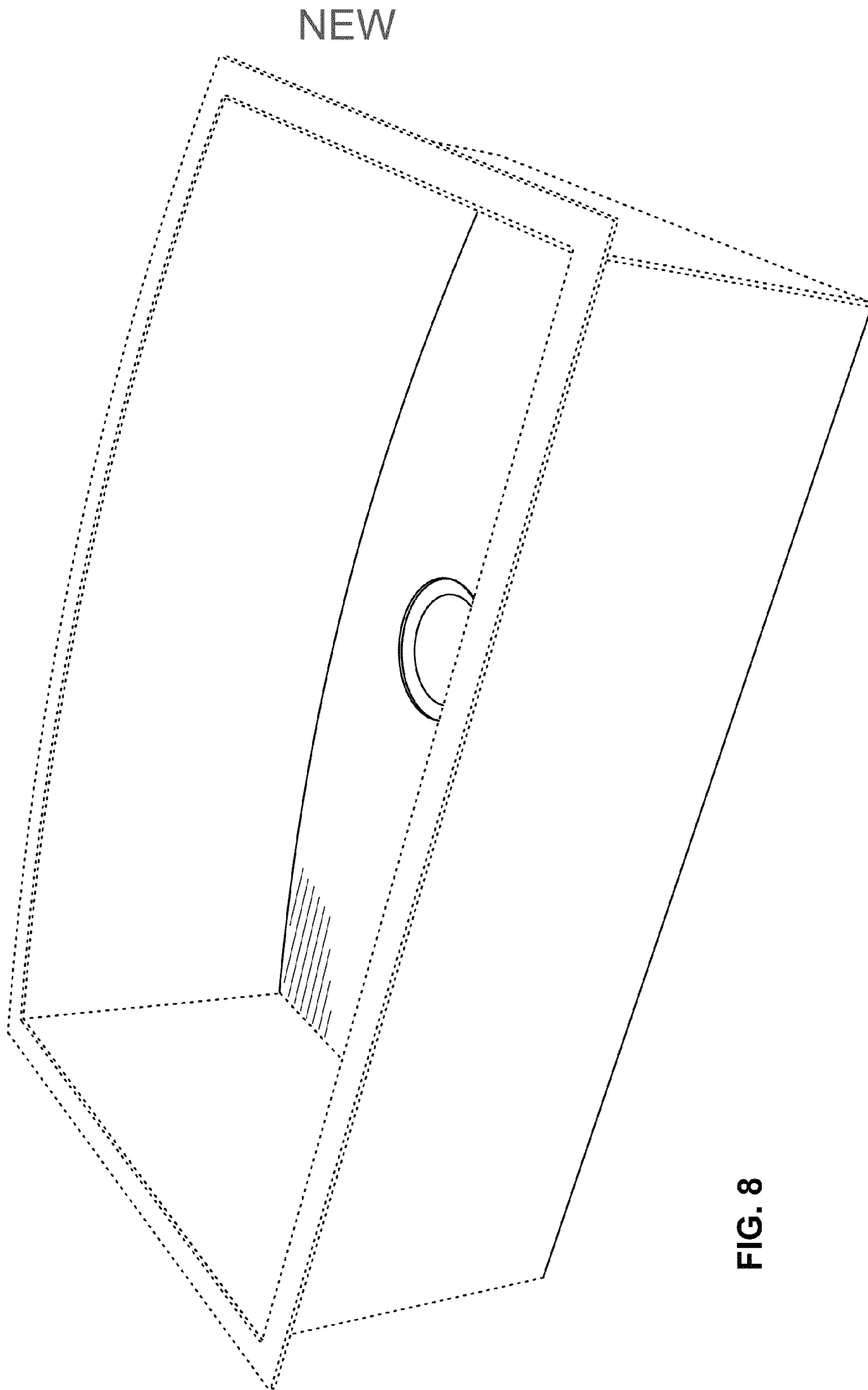


FIG. 7



NEW

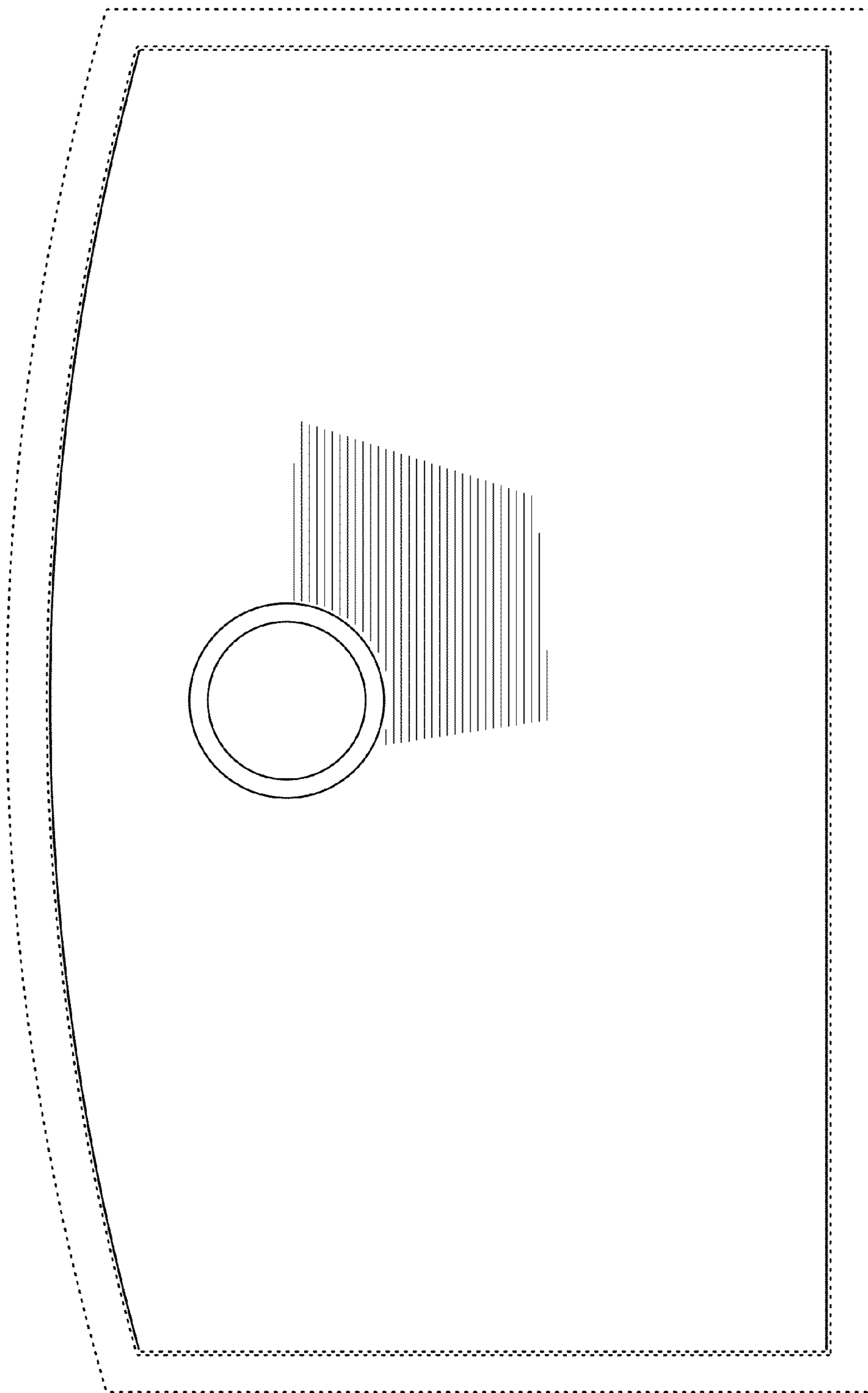


FIG. 9

NEW

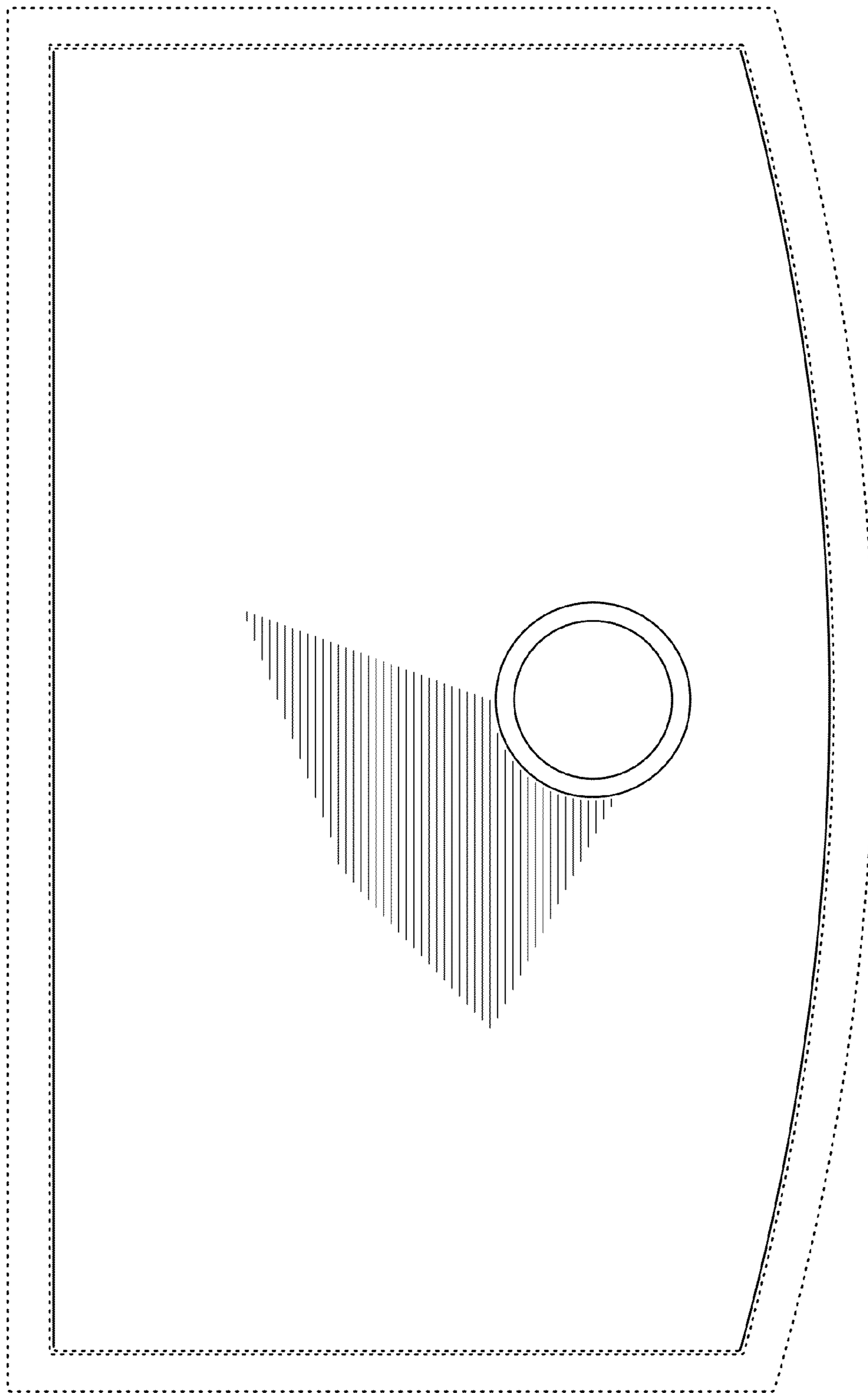


FIG. 10

NEW

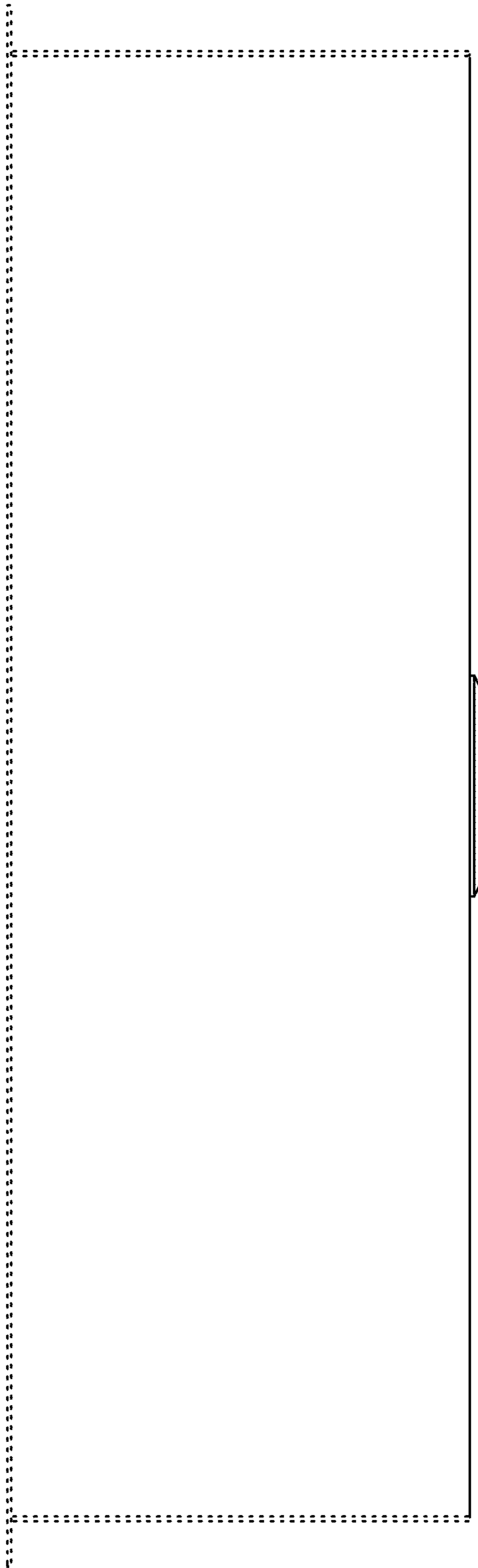


FIG. 11

NEW

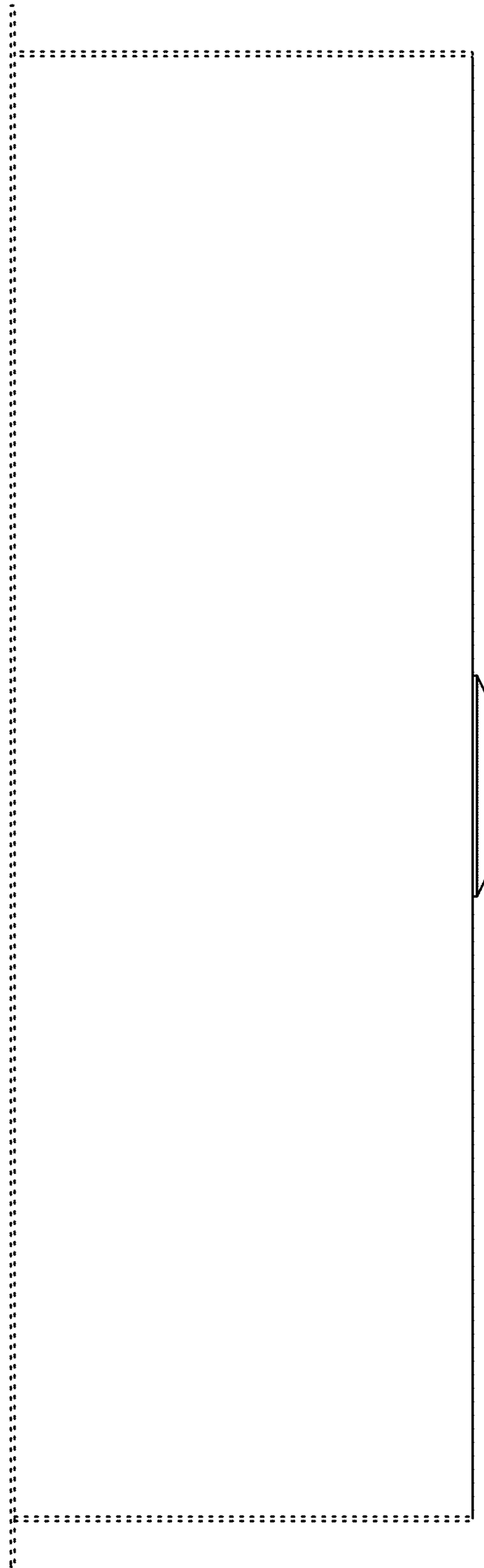


FIG. 12

NEW

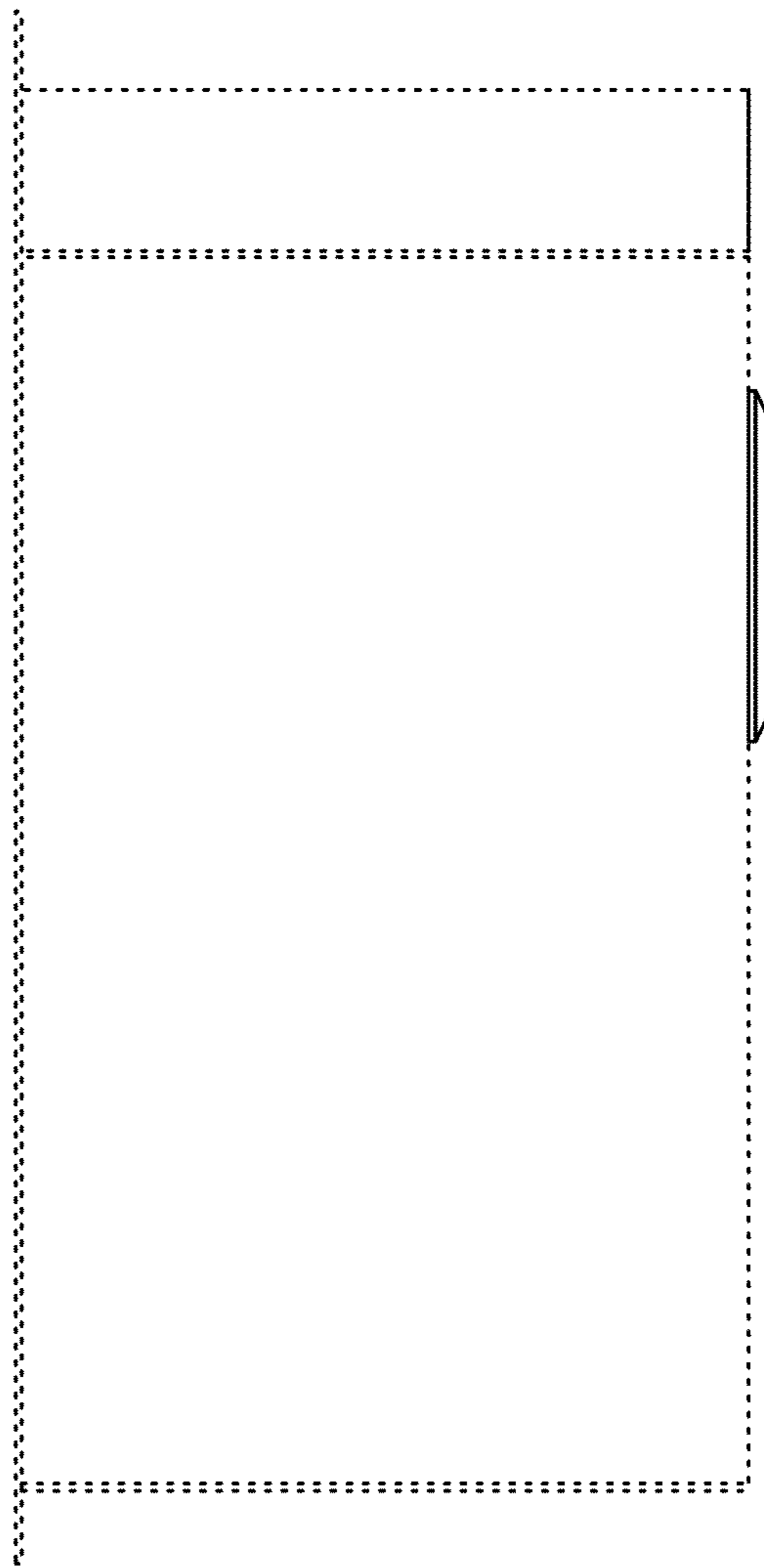


FIG. 13

NEW

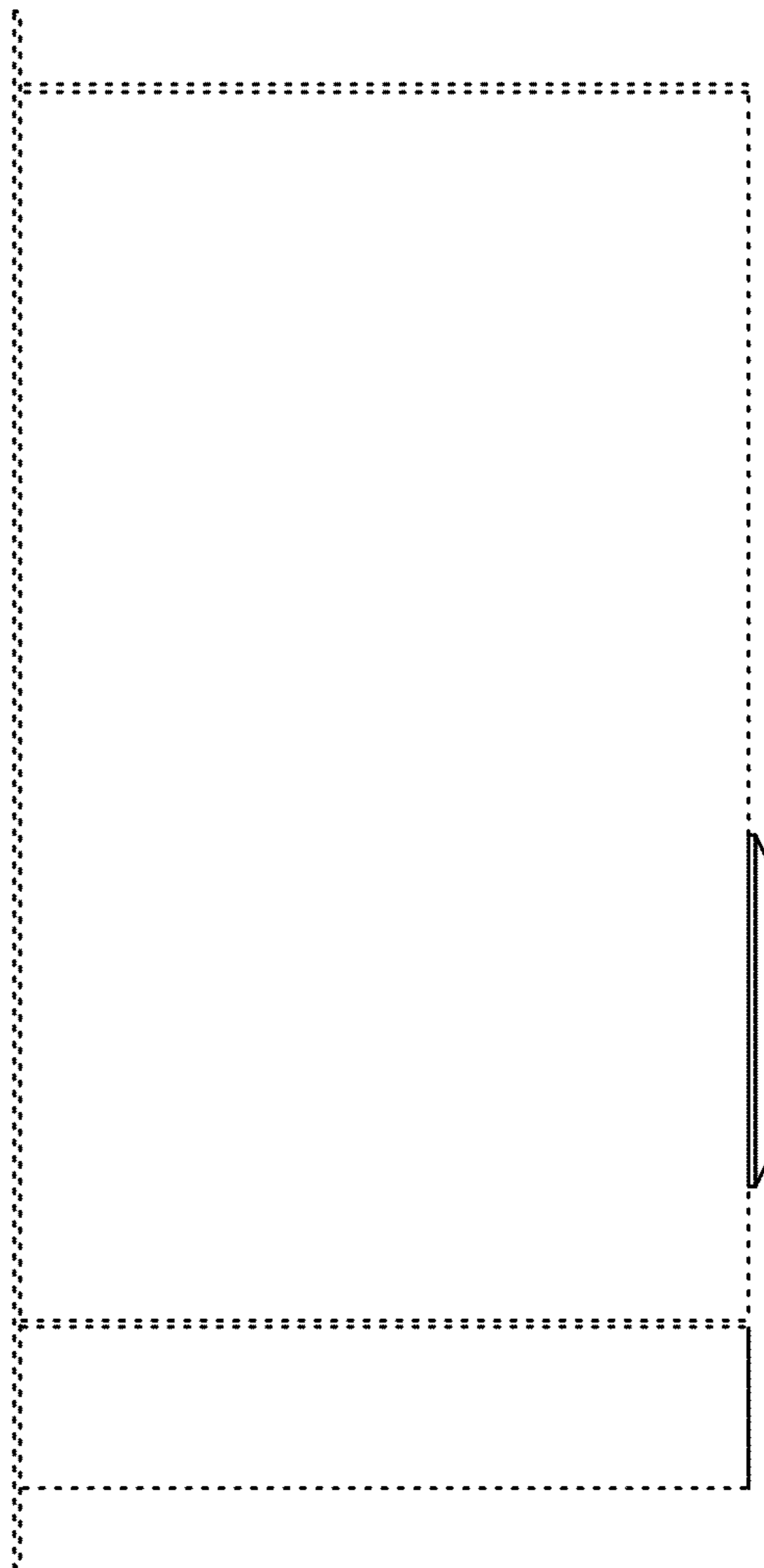


FIG. 14