



US00RE45055E

(19) **United States**
(12) **Reissued Patent**
Roth et al.

(10) **Patent Number:** **US RE45,055 E**
(45) **Date of Reissued Patent:** **Aug. 5, 2014**

(54) **CONTAINER**

(75) Inventors: **Donna Roth**, Duxbury, MA (US);
Henry Roth, Plymouth, MA (US)

(73) Assignee: **Cool Gear International, LLC**,
Plymouth, MA (US)

(21) Appl. No.: **29/397,455**

(22) Filed: **Jul. 15, 2011**

Related U.S. Patent Documents

Reissue of:

(64) Patent No.: **Des. 634,161**
Issued: **Mar. 15, 2011**
Appl. No.: **29/375,752**
Filed: **Sep. 27, 2010**

U.S. Applications:

(62) Division of application No. 29/335,720, filed on Apr. 20, 2009, now Pat. No. Des. 624,361.

(51) **LOC (10) Cl.** **07-01**

(52) **U.S. Cl.**
USPC **D7/510; D7/511; D7/392.1**

(58) **Field of Classification Search**
USPC D7/392.1, 396.2, 392, 507, 509, 510,
D7/511; D9/443, 445, 447
See application file for complete search history.

(56) **References Cited**

U.S. PATENT DOCUMENTS

1,657,927 A 1/1928 Heinzen
2,187,558 A 1/1940 Kushima

(Continued)

Primary Examiner — Phillip S Hyder

(74) *Attorney, Agent, or Firm* — Edwards Wildman Palmer
LLP; Steven M. Jensen

(57) **CLAIM**

The ornamental design for a container, as shown and described.

DESCRIPTION

FIG. 1 is a perspective view of a container showing our new design;

FIG. 2 is front elevational view of the container of FIG. 1;

FIG. 3 is a rear elevational view of the container of FIG. 1;

FIG. 4 is a left side elevational view of the container of FIG. 1;

the right side elevational view of the container of FIG. 1 being a mirror image of FIG. 4;

FIG. 5 is a top plan view of the container of FIG. 1;

FIG. 6 is a bottom plan view of the container of FIG. 1;

FIG. 7 is a perspective view of a container showing a second embodiment of our new design;

FIG. 8 is front elevational view of the container of FIG. 7;

FIG. 9 is a rear elevational view of the container of FIG. 7;

FIG. 10 is a left side elevational view of the container of FIG. 7;

the right side elevational view of the container of FIG. 7 being a mirror image of FIG. 10;

FIG. 11 is a top plan view of the container of FIG. 7; and,

FIG. 12 is a bottom plan view of the container of FIG. 7.

FIG. 13 is a perspective view of a container showing a third embodiment of our new design;

FIG. 14 is a front elevational view of the container of FIG. 13;

FIG. 15 is a rear elevational view of the container of FIG. 13;

FIG. 16 is a left side elevational view of the container of FIG. 13,

the right side elevational view of the container of FIG. 13 being a mirror image of FIG. 16;

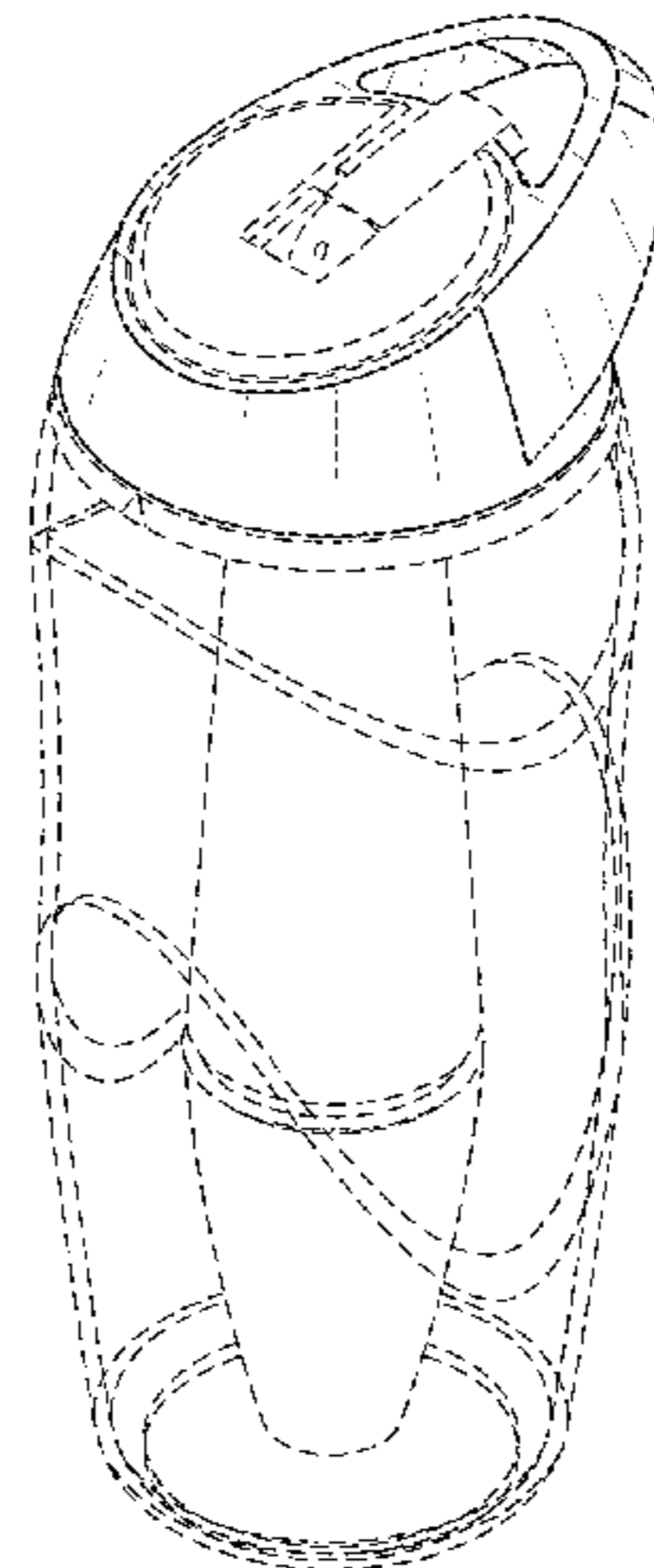
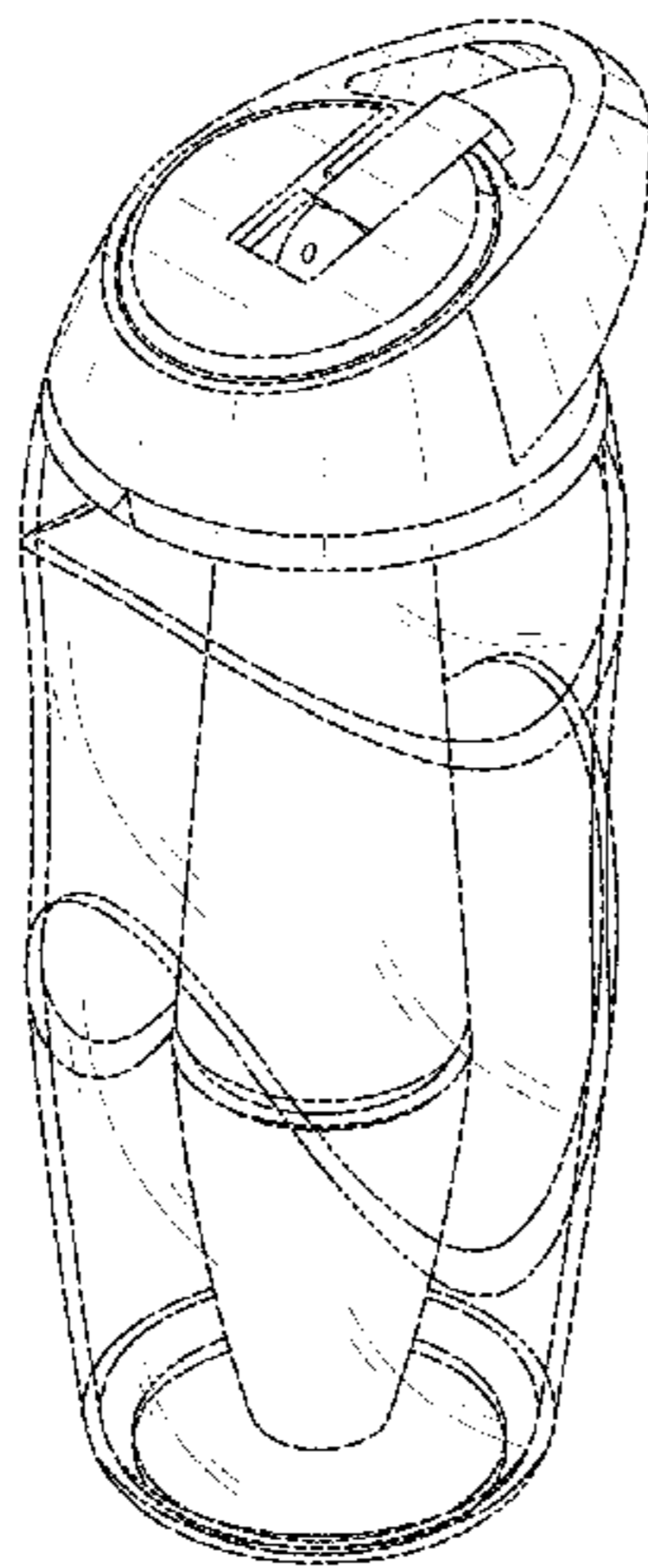
FIG. 17 is a top plan view of the container of FIG. 13; and,

FIG. 18 is a bottom plan view of the container of FIG. 13.

The broken lines in FIGS. 1-12 represent environment and are for illustrative purposes only and do not constitute part of the claimed design.

1 Claim, 9 Drawing Sheets

Matter enclosed in heavy brackets [] appears in the original patent but forms no part of this reissue; matter printed in italics indicates the additions made by reissue.



(New)

(56)

References Cited

U.S. PATENT DOCUMENTS

4,410,085 A 10/1983 Beneziat et al.
 4,981,022 A 1/1991 Snyder
 5,456,090 A 10/1995 McCoy
 5,467,877 A 11/1995 Smith
 5,472,274 A 12/1995 Baillie
 5,487,486 A 1/1996 Meneo
 5,590,542 A 1/1997 Wang
 5,609,039 A 3/1997 Green et al.
 6,276,560 B1 * 8/2001 Belcastro 220/709
 D447,693 S * 9/2001 Warner et al. D9/776
 D458,086 S 6/2002 Marks et al.
 D464,849 S * 10/2002 Norris et al. D7/523
 D467,122 S * 12/2002 Janky D7/510
 D477,183 S * 7/2003 Janky D7/509
 D478,511 S 8/2003 Reynolds
 D478,779 S * 8/2003 Stamper et al. D7/510
 D486,996 S * 2/2004 Karp D7/510
 6,751,982 B2 6/2004 Horen
 D499,608 S * 12/2004 Cintron et al. D7/510
 D502,844 S * 3/2005 Rohe D7/510
 D518,335 S * 4/2006 Naft et al. D7/608
 D523,692 S * 6/2006 Meehan D7/507
 7,073,678 B1 * 7/2006 Dibdin et al. 220/254.1
 D528,862 S * 9/2006 Li D7/510
 D530,980 S * 10/2006 Zerillo et al. D7/509
 D531,445 S 11/2006 Bodum
 D538,597 S * 3/2007 Kim D7/510
 7,185,782 B2 3/2007 Vilchez, Jr. et al.
 D542,599 S * 5/2007 Tien D7/523
 D543,776 S * 6/2007 Yelland D7/392.1
 D545,623 S 7/2007 Renz et al.
 D546,625 S * 7/2007 Gluck D7/523

D547,607 S * 7/2007 Forsman D7/396.2
 D552,421 S 10/2007 Wolf
 D554,433 S * 11/2007 Gluck D7/523
 D562,076 S * 2/2008 Sandberg D7/533
 D566,468 S * 4/2008 Sandy D7/510
 D569,182 S * 5/2008 Homma D7/510
 D569,187 S * 5/2008 Sandberg D7/523
 D573,404 S 7/2008 Wahl
 D575,987 S 9/2008 Williams
 D577,958 S 10/2008 Homma
 D577,959 S 10/2008 Sandberg
 D586,184 S * 2/2009 Miller et al. D7/511
 D589,750 S 4/2009 Liu et al.
 D592,456 S 5/2009 Pinelli et al.
 D592,905 S * 5/2009 Pinelli et al. D7/396.2
 D592,913 S 5/2009 Pinelli et al.
 7,533,783 B2 * 5/2009 Choi et al. 220/714
 D600,071 S 9/2009 Carreno
 7,614,512 B2 11/2009 Nader
 D613,110 S * 4/2010 Lane et al. D7/392.1
 D613,989 S 4/2010 Smith
 D614,440 S * 4/2010 Cresswell et al. D7/392.1
 D620,754 S * 8/2010 Duke D7/510
 D621,660 S 8/2010 Smiedt et al.
 7,802,446 B2 9/2010 Overgaard
 D625,561 S 10/2010 Ablo
 D626,838 S * 11/2010 Meyers et al. D9/443
 D640,093 S * 6/2011 Picozza et al. D7/413
 D651,847 S * 1/2012 Gilbert D7/392.1
 D652,256 S * 1/2012 Eyal D7/510
 D653,081 S * 1/2012 George D7/510
 D656,360 S * 3/2012 Miller et al. D7/510
 D657,618 S * 4/2012 Wahl D7/392.1
 D669,732 S * 10/2012 Hopkins et al. D7/392.1

* cited by examiner

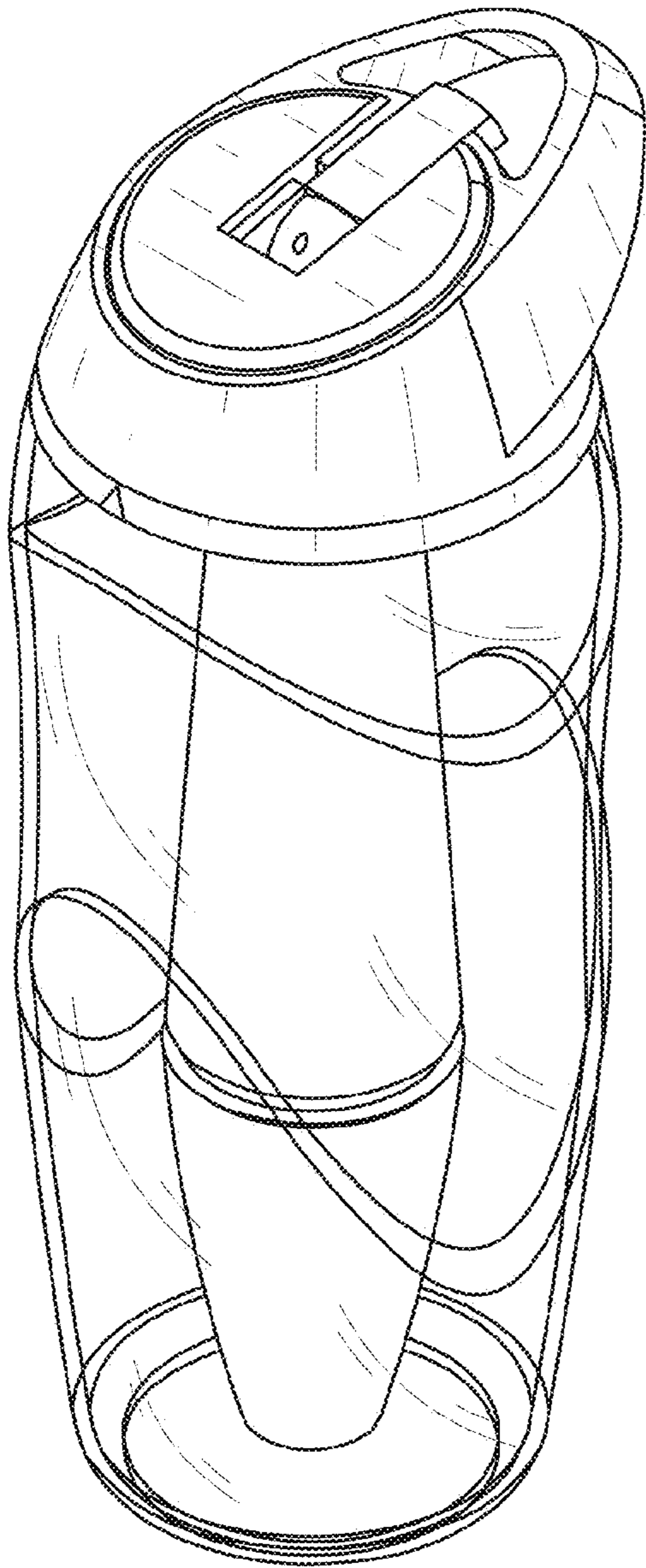


FIG. 1

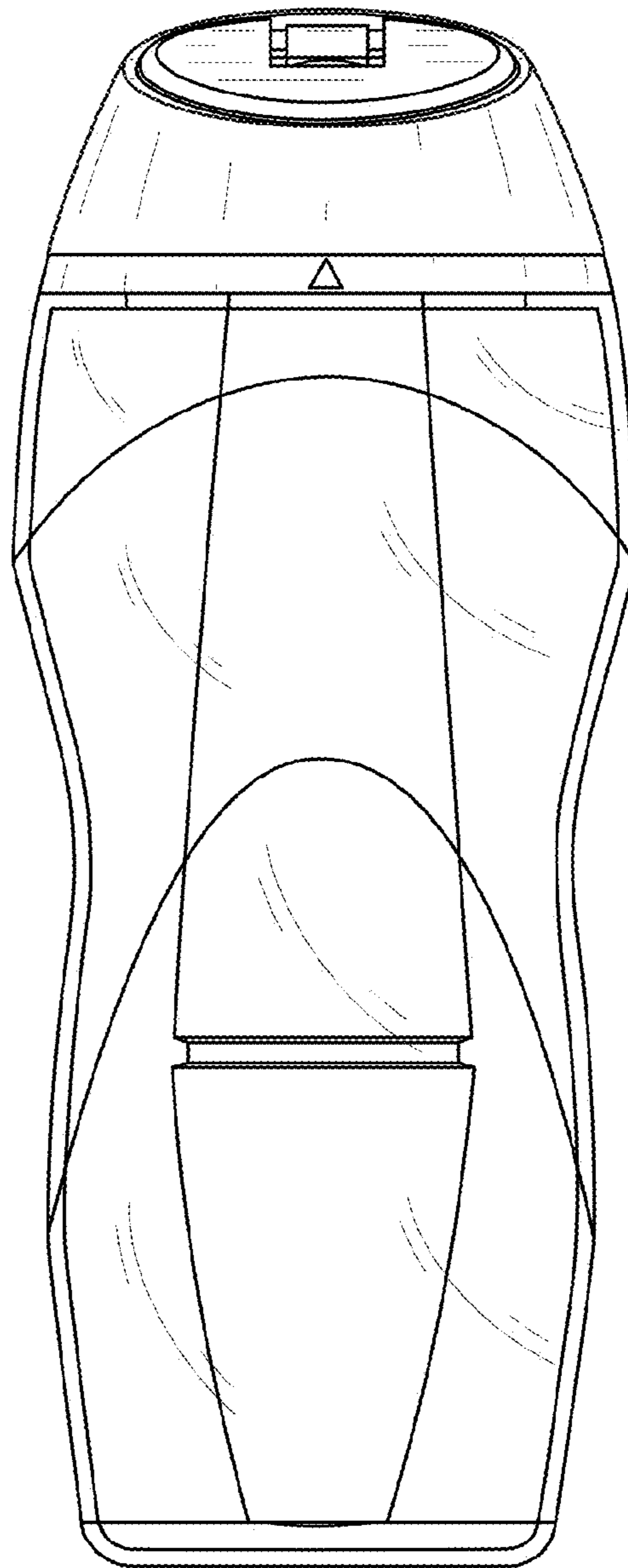


FIG. 2

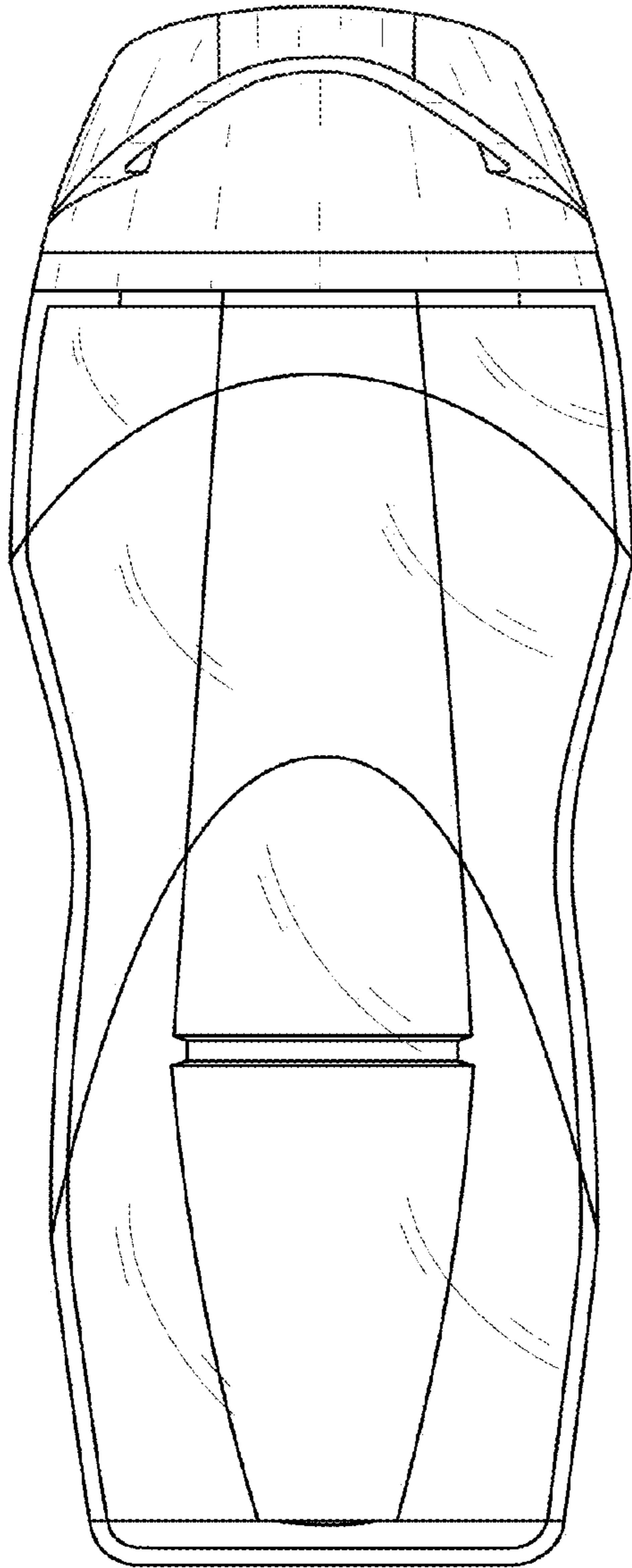


FIG. 3

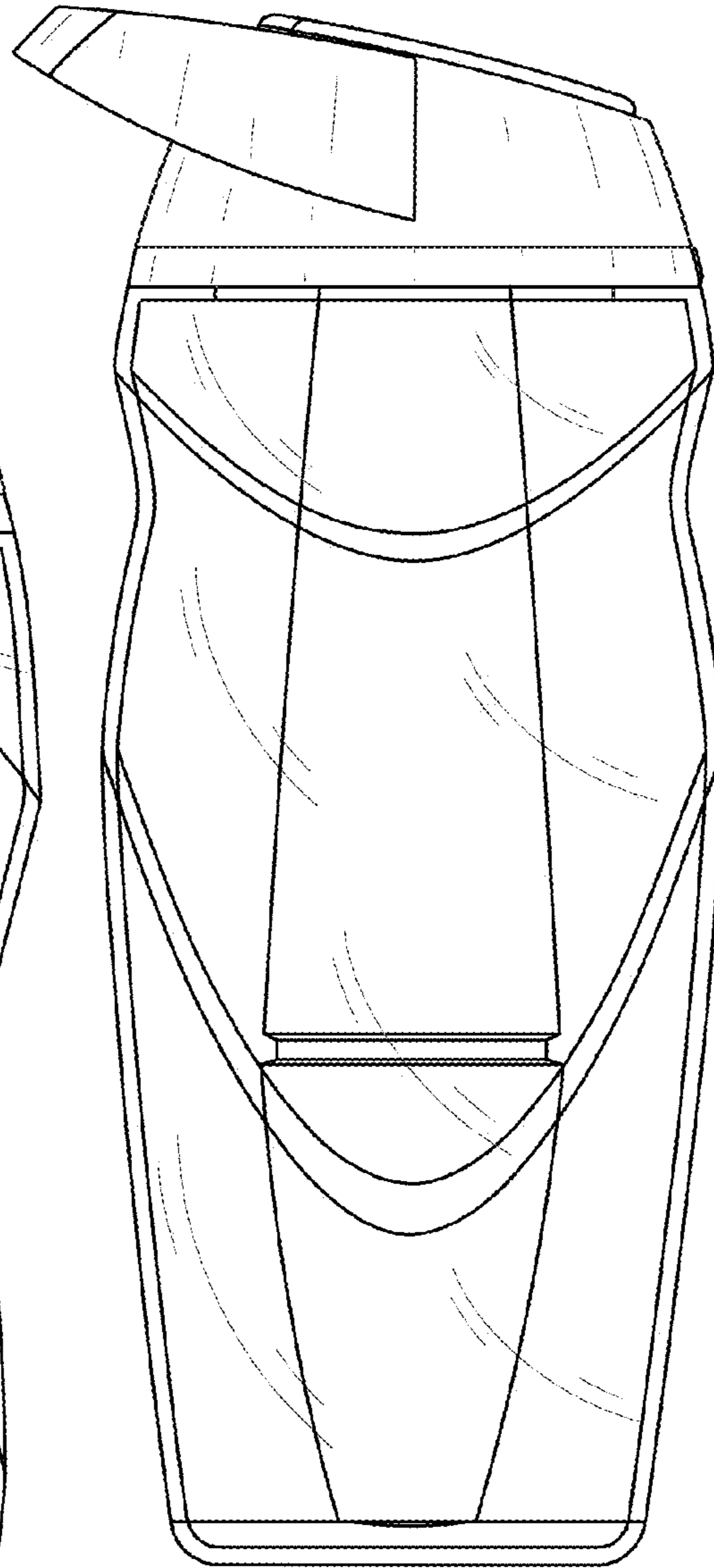


FIG. 4

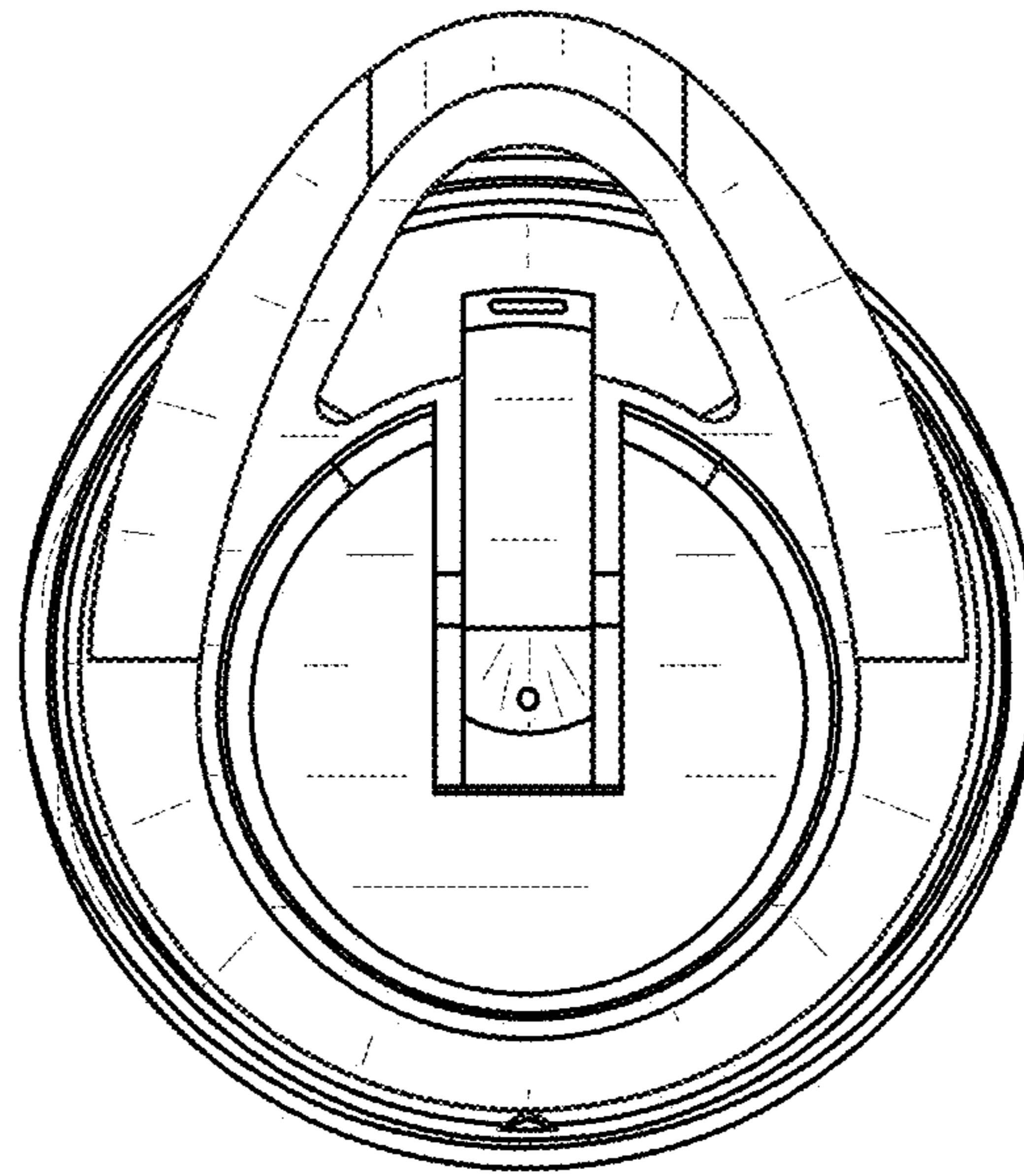


FIG. 5

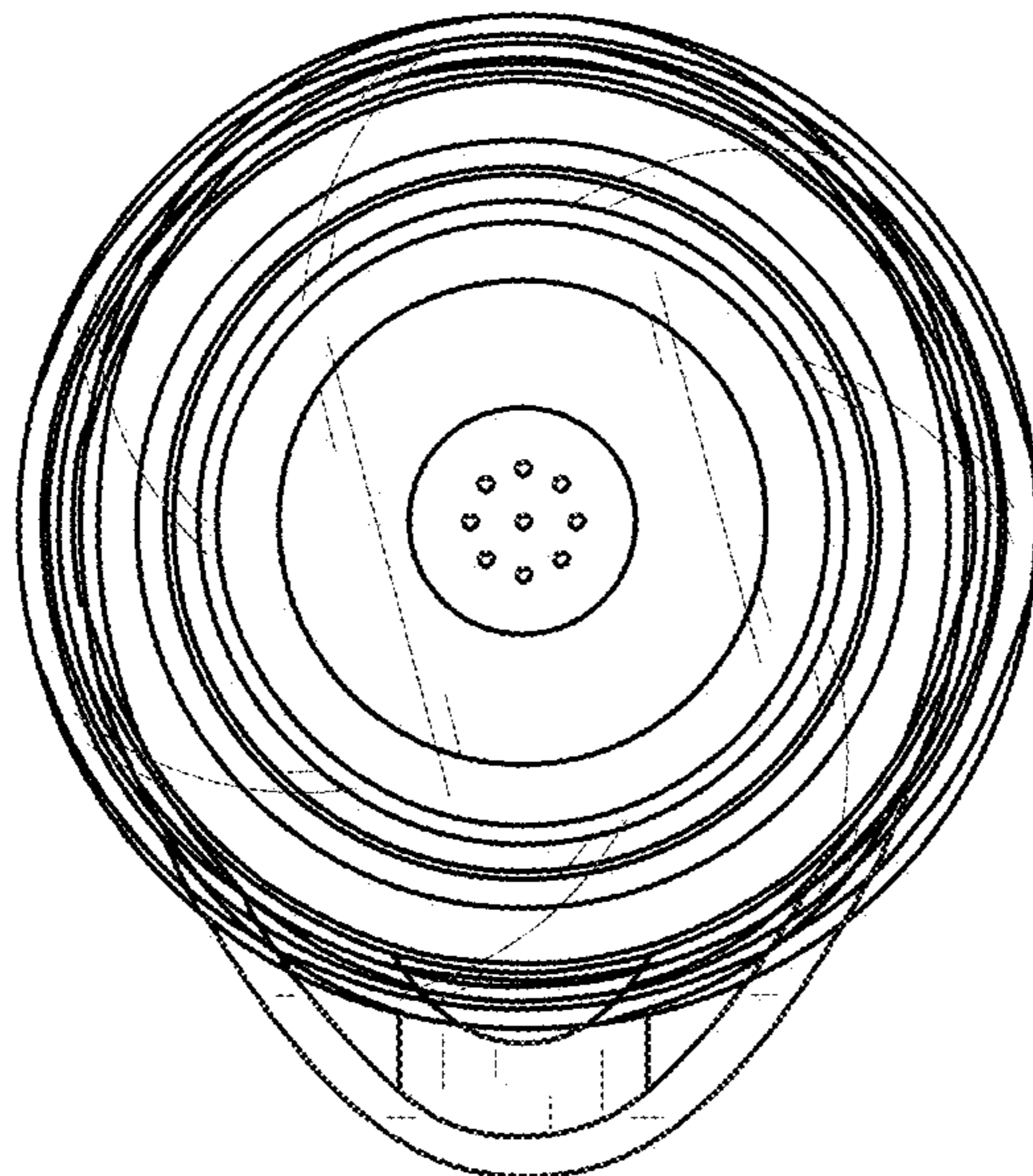


FIG. 6

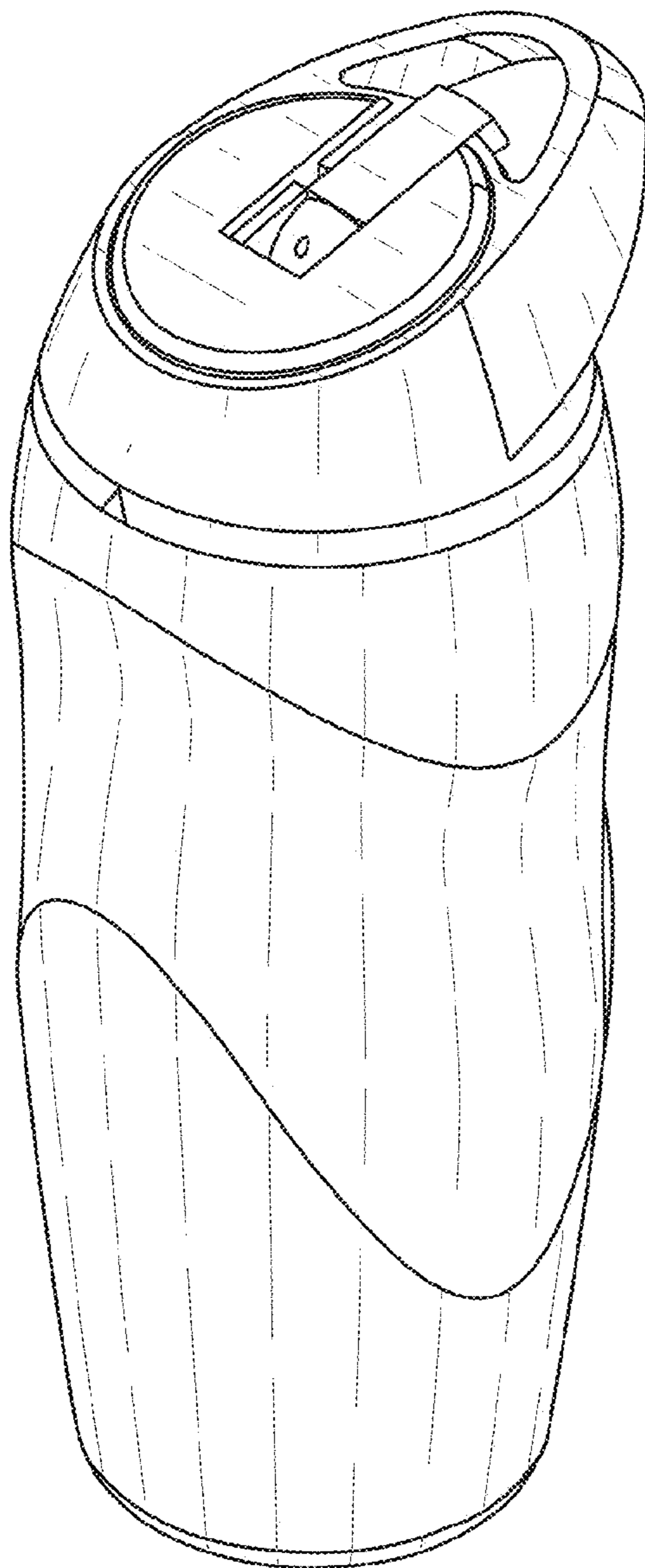


FIG. 7

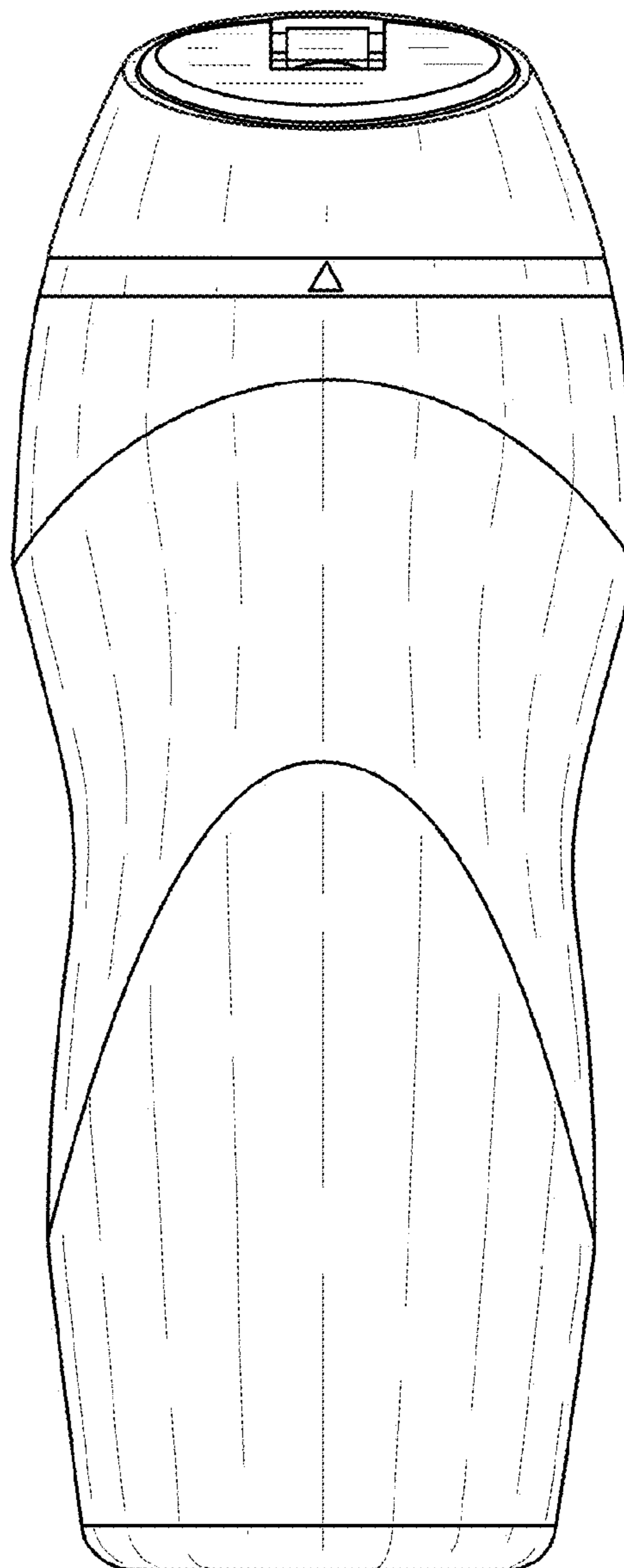


FIG. 8

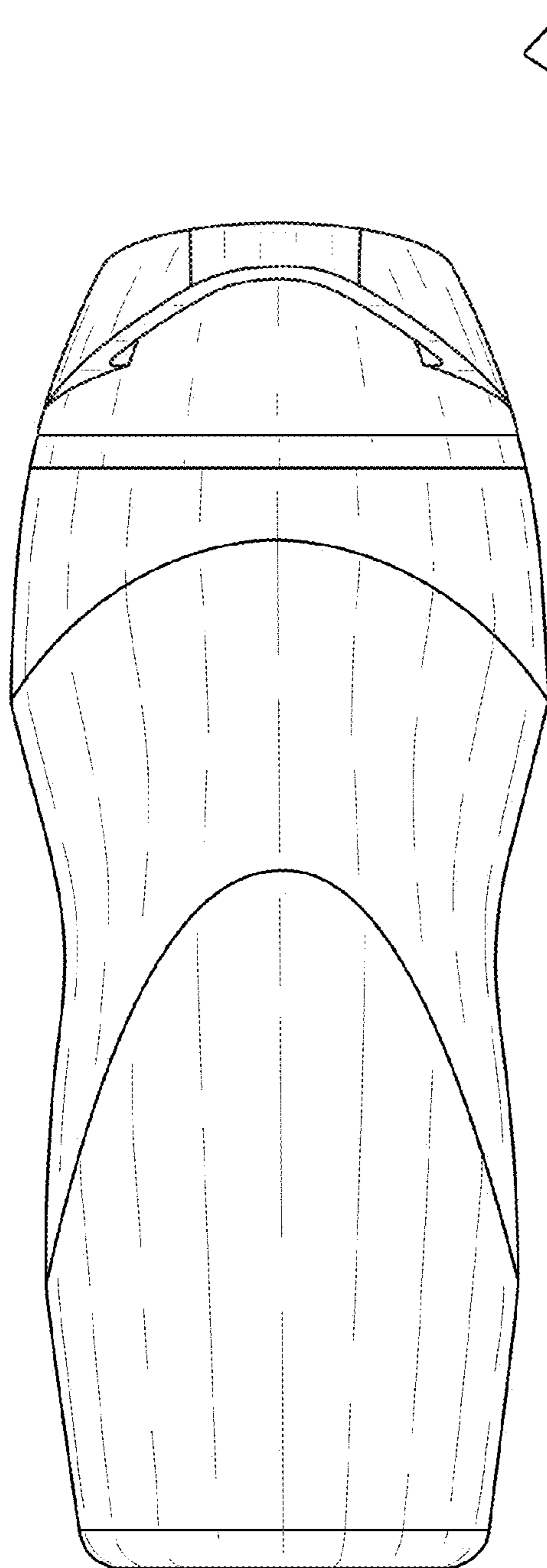


FIG. 9

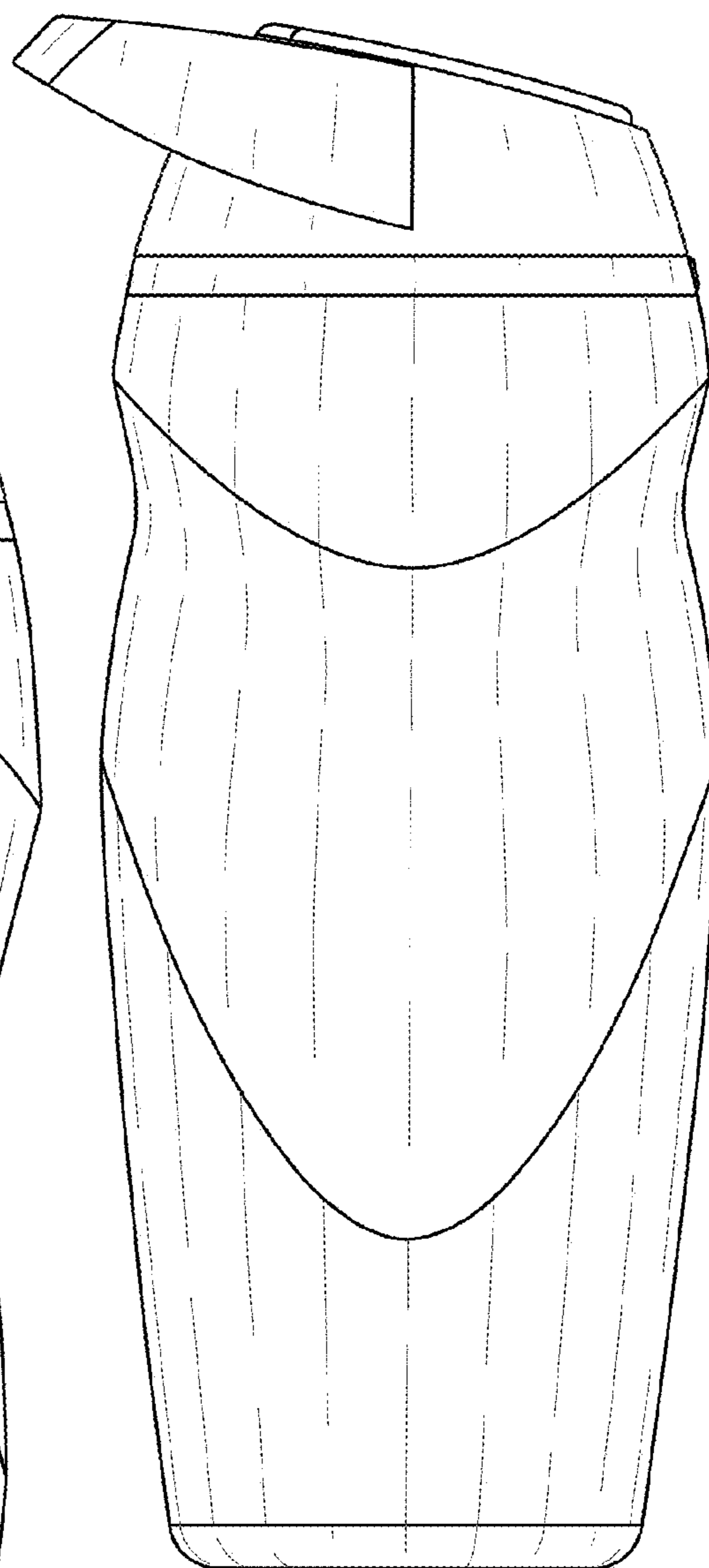


FIG. 10

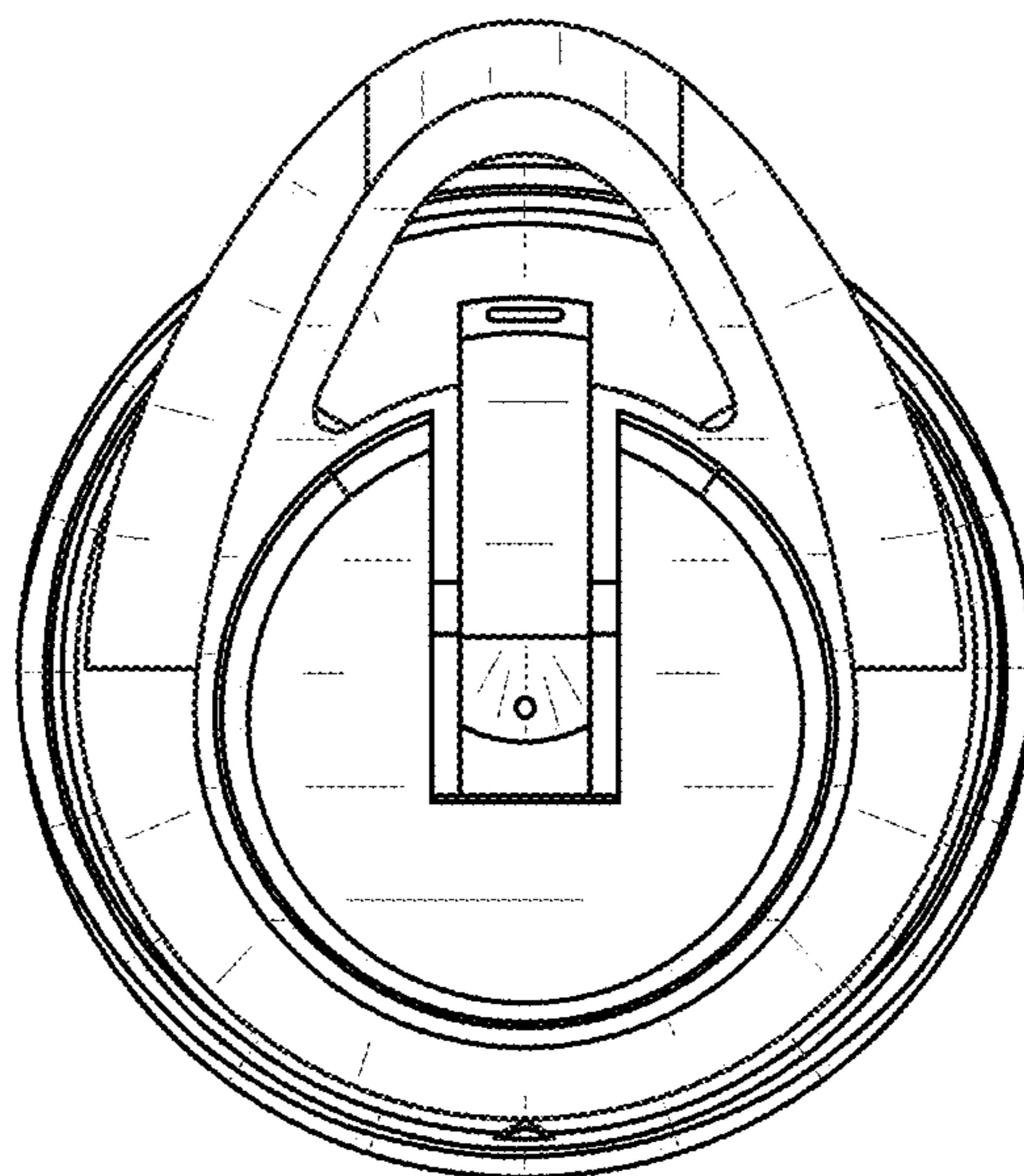


FIG. 11

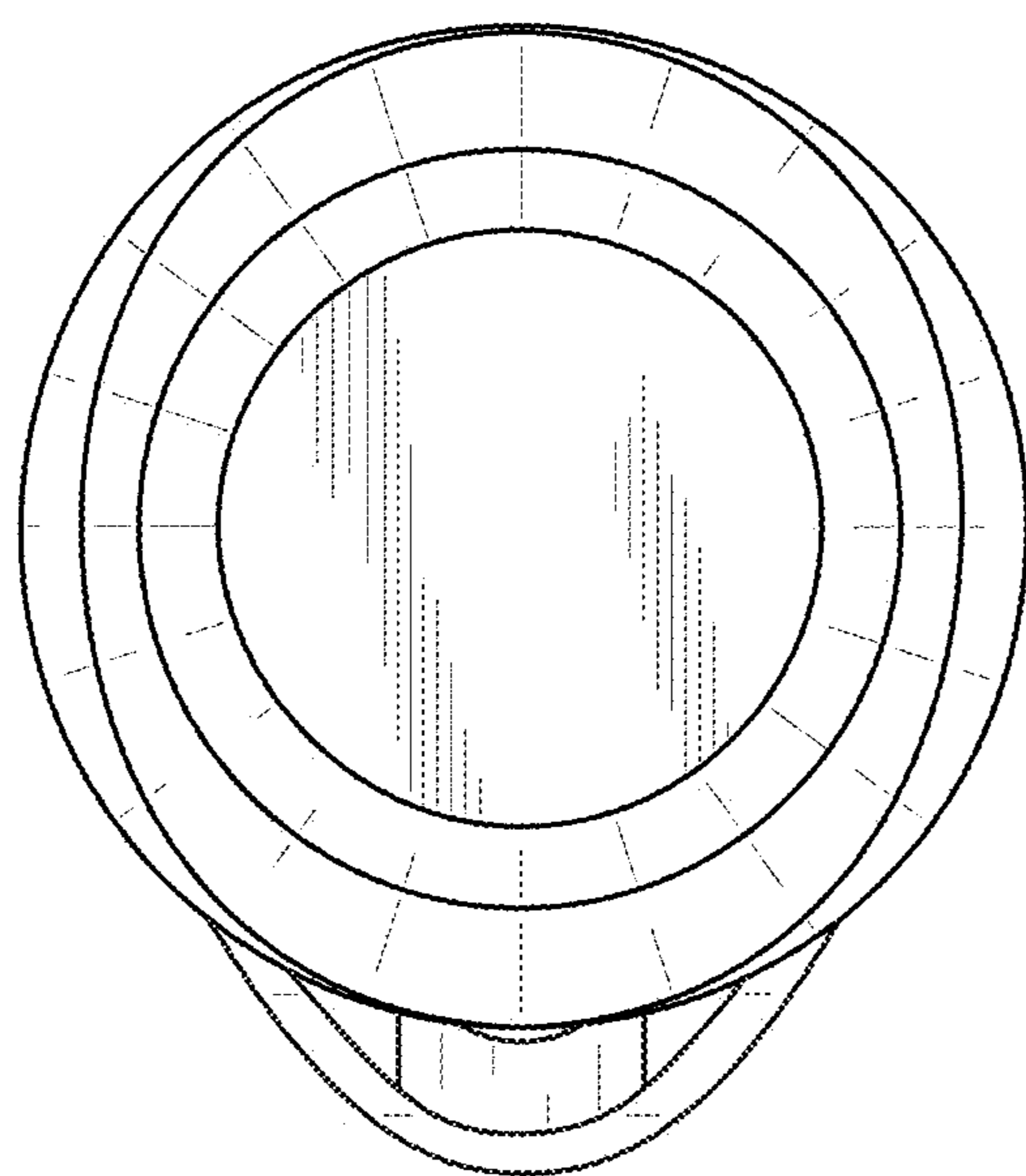


FIG. 12

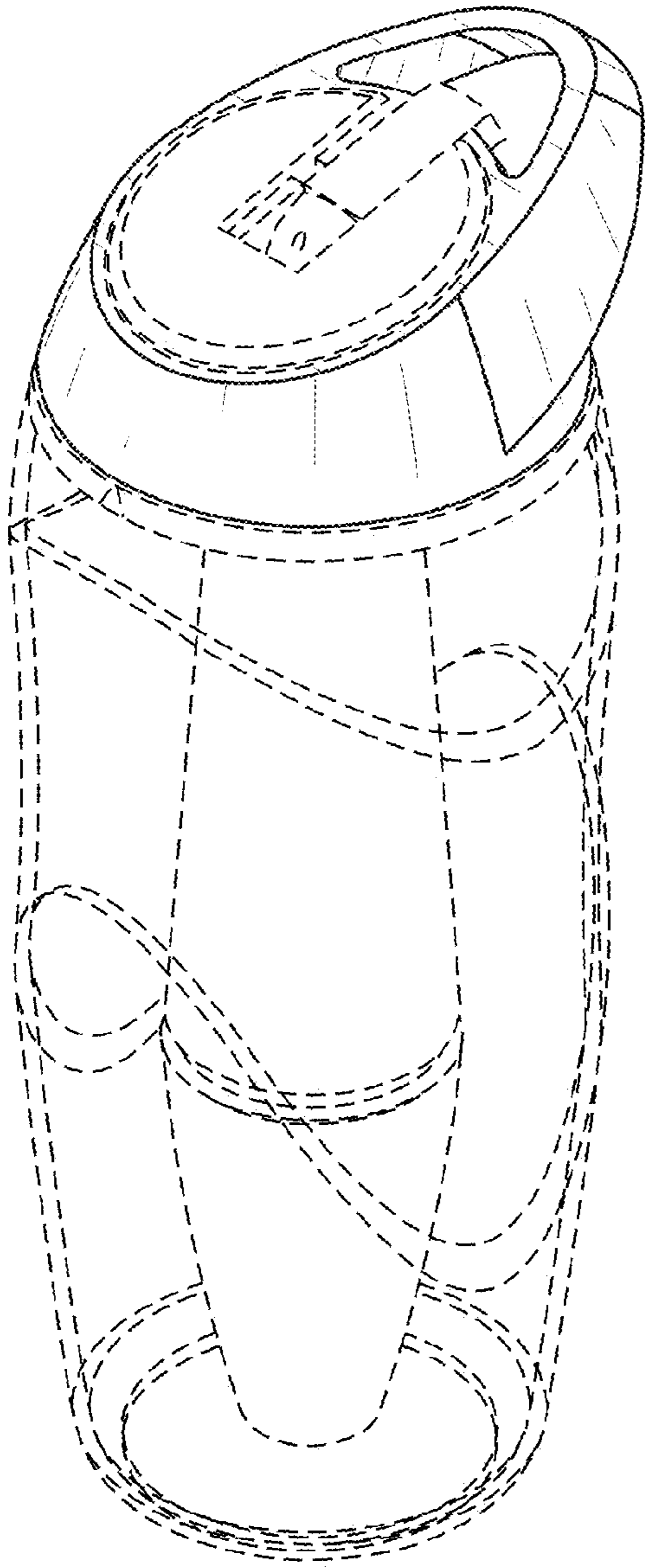


FIG. 13
(New)

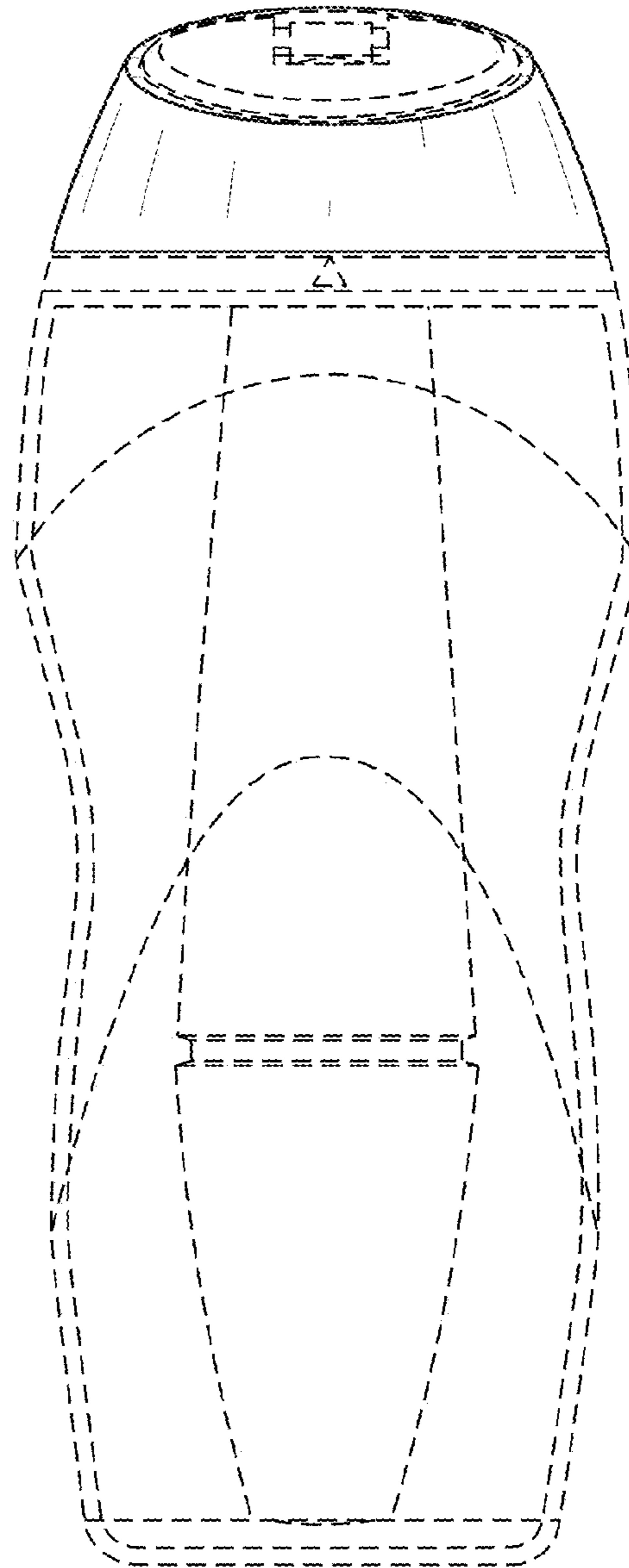


FIG. 14
(New)

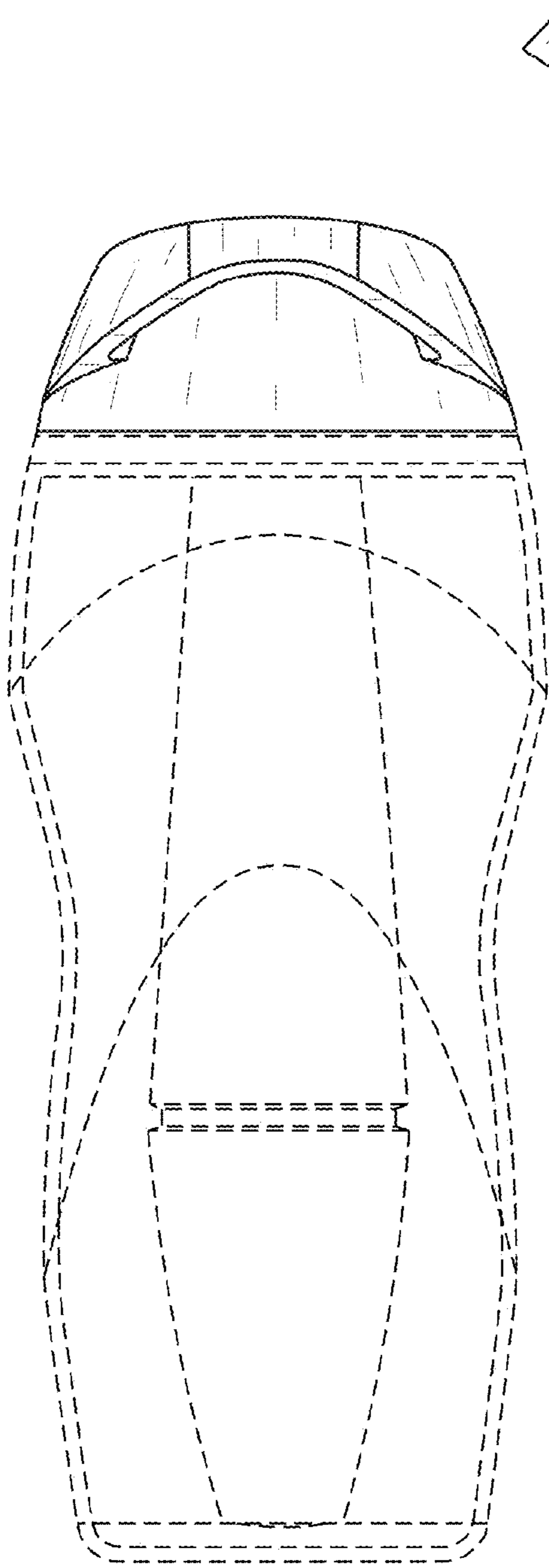


FIG. 15
(New)

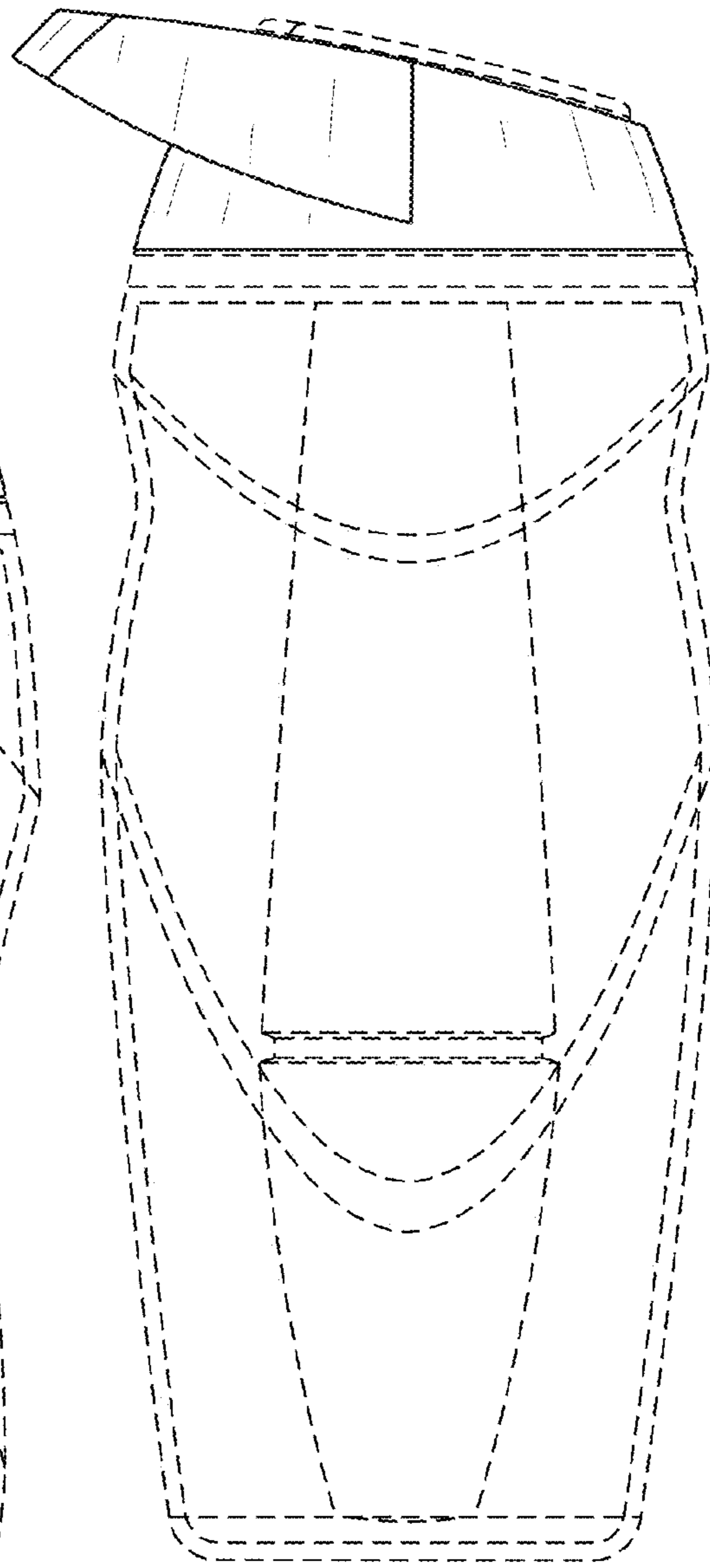


FIG. 16
(New)

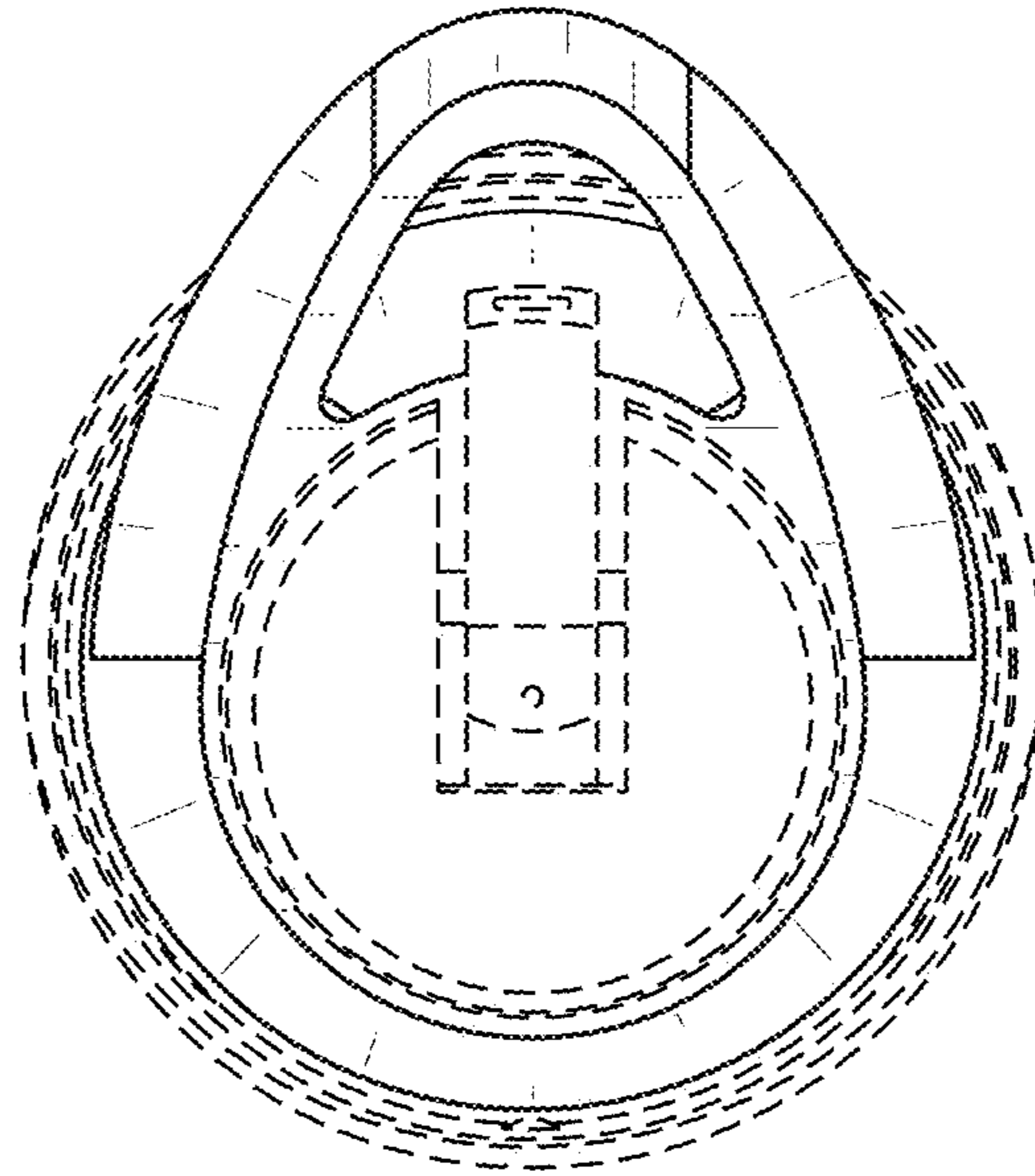


FIG. 17
(New)

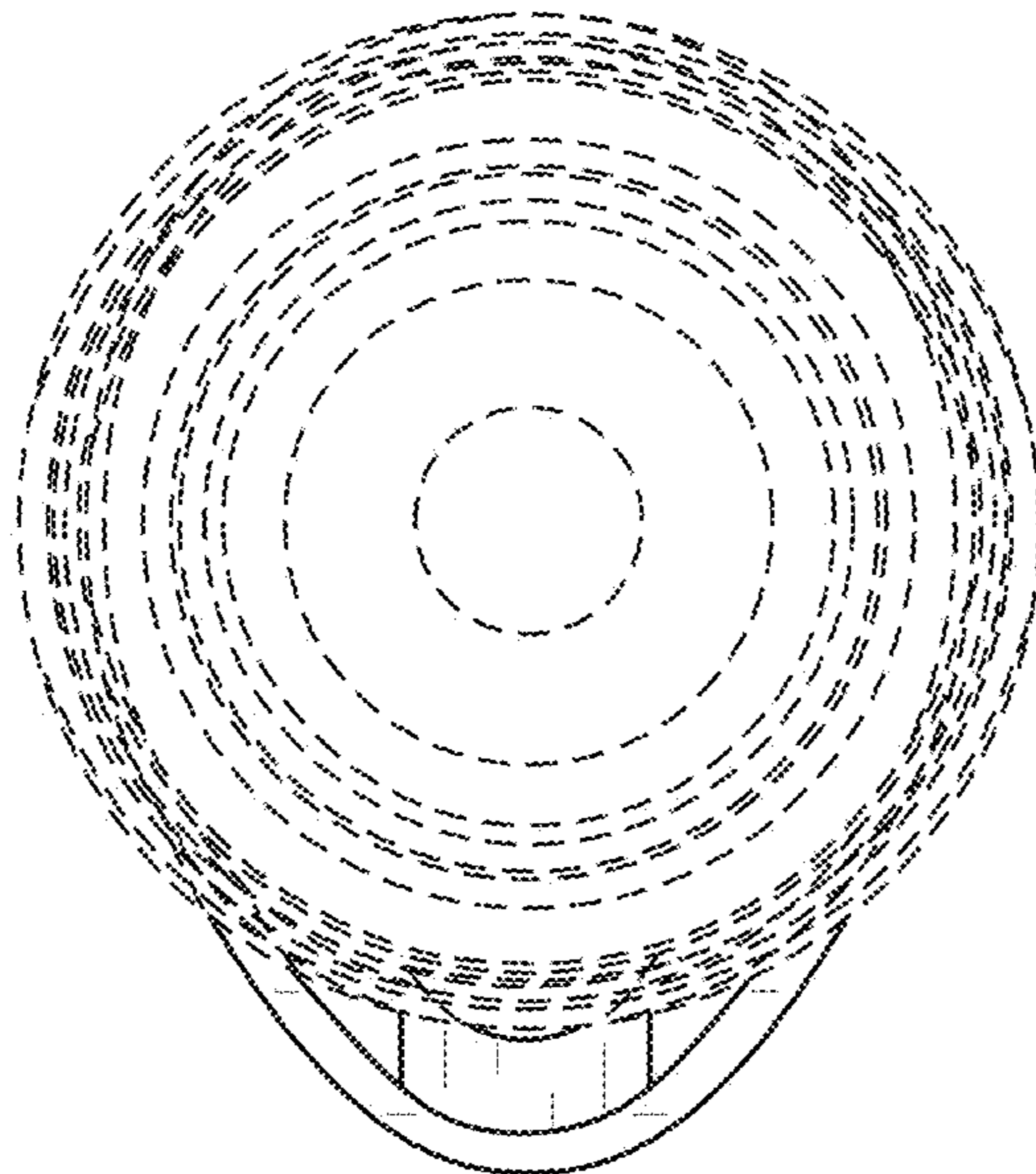


FIG. 18
(New)