

US00RE45039E

(19) **United States**
(12) **Reissued Patent**
Laursen et al.

(10) **Patent Number:** **US RE45,039 E**
(45) **Date of Reissued Patent:** **Jul. 22, 2014**

(54) **METHOD AND APPARATUS FOR ACCESSING A COMMON DATABASE FROM A MOBILE DEVICE AND A COMPUTING DEVICE**

(56)

References Cited

U.S. PATENT DOCUMENTS

(75) Inventors: **Andrew L. Laursen**, San Mateo, CA (US); **Bruce K. Martin, Jr.**, Palo Alto, CA (US); **Alain S. Rossmann**, Palo Alto, CA (US)

5,195,130	A	3/1993	Weiss et al.
5,321,840	A	6/1994	Ahlin et al.
5,434,918	A	7/1995	Kung
5,610,910	A	3/1997	Focsaneanu
5,673,322	A	9/1997	Pepe
5,689,642	A	11/1997	Harkins
5,689,825	A	11/1997	Averbuch
5,703,942	A	12/1997	Pinard
5,704,029	A	12/1997	Wright, Jr.
5,708,780	A	1/1998	Levergood

(73) Assignee: **Unwired Planet, LLC**, Reno, NV (US)

(21) Appl. No.: **12/700,369**

(22) Filed: **Feb. 4, 2010**
(Under 37 CFR 1.47)

(Continued)

OTHER PUBLICATIONS

Bartlett, Joel F., "Experience with a Wireless World Wide Web Client," Digital WRL Technical Note TN-46, Mar. 1995, pp. 1-7.

(Continued)

Primary Examiner — William D Cumming
(74) *Attorney, Agent, or Firm* — Sheppard, Mullin, Richter & Hampton LLP

Related U.S. Patent Documents

Reissue of:

(64) Patent No.: **7,328,030**
Issued: **Feb. 5, 2008**
Appl. No.: **10/870,852**
Filed: **Jun. 16, 2004**

U.S. Applications:

(60) Division of application No. 09/410,859, filed on Oct. 1, 1999, now Pat. No. 6,895,234, which is a continuation of application No. 08/987,346, filed on Dec. 9, 1997, now Pat. No. 6,065,120.

(51) **Int. Cl.**
H04M 11/00 (2006.01)
G06F 15/16 (2006.01)

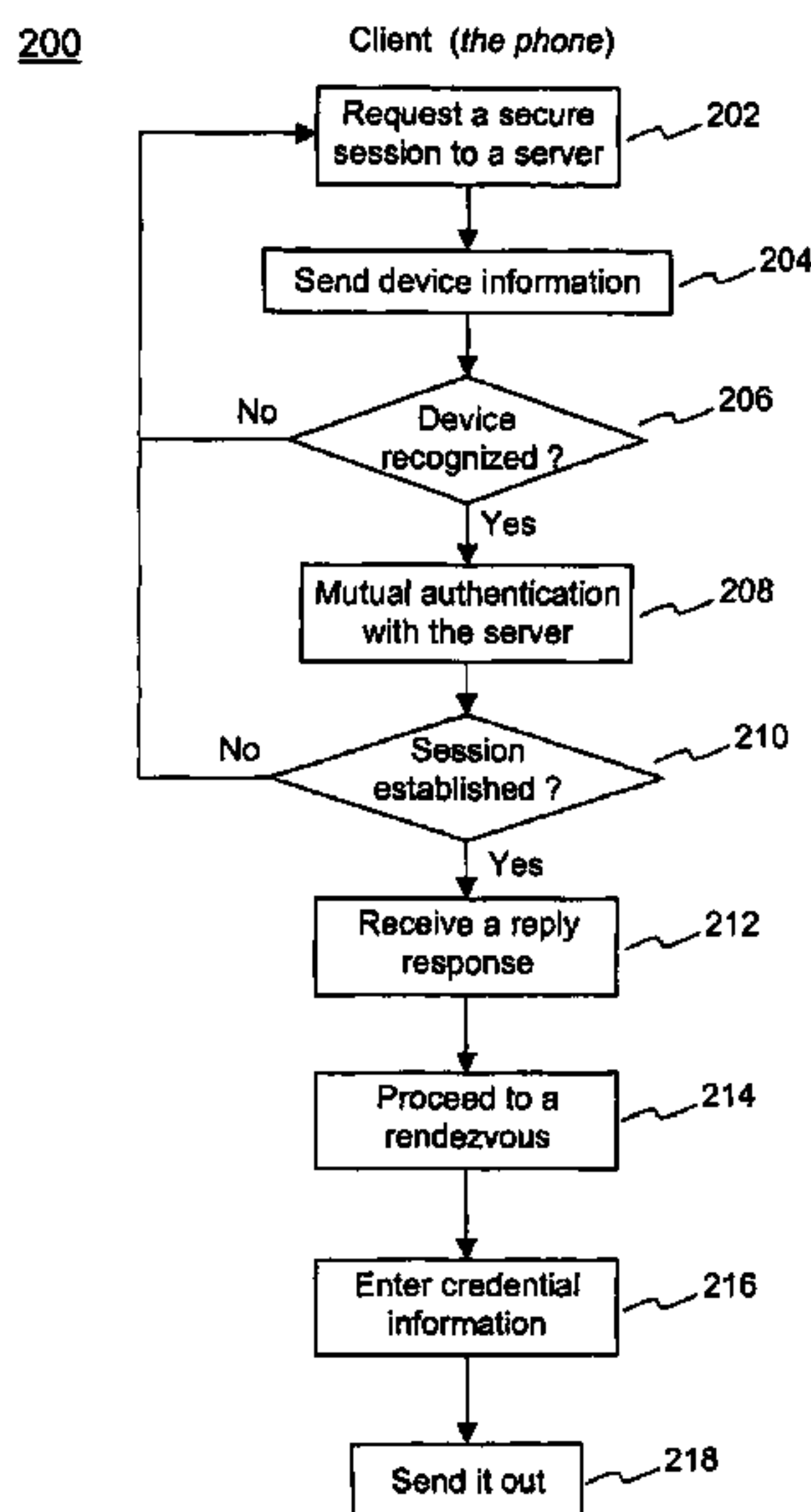
(52) **U.S. Cl.**
USPC **455/466**; 455/403; 455/450; 709/217; 726/5

(58) **Field of Classification Search**
CPC H04W 84/02; H04W 88/02; H04L 29/06
USPC 455/403
See application file for complete search history.

ABSTRACT

A method for accessing data contained in a data network using a mobile device or a different computing device. Common data may be accessed by both the mobile device and the computing device, with the mobile device communicating over a wireless data network and the computing device communicating over a data network such as the Internet, a private network or a network of public and private networks. A different format may be used to process and display the data on each of the two devices, with the data being converted as necessary for display on the devices. The data may be updated by the computing device and then made available to the mobile device.

21 Claims, 12 Drawing Sheets



(56)

References Cited

U.S. PATENT DOCUMENTS

5,717,923	A	2/1998	Dedrick
5,721,827	A	2/1998	Logan
5,727,159	A	3/1998	Kikinis
5,732,074	A	3/1998	Spaur
5,740,430	A	4/1998	Rosenberg
5,742,905	A	4/1998	Pepe
5,754,939	A	5/1998	Herz
5,764,235	A	6/1998	Hunt
5,796,832	A	8/1998	Kawan
5,802,276	A	9/1998	Benantar
5,805,159	A	9/1998	Bertram
5,805,803	A	9/1998	Birrell
5,809,415	A	9/1998	Rossmann
5,815,665	A	9/1998	Teper
5,825,759	A	10/1998	Liu
5,828,833	A	10/1998	Belville
5,835,577	A	11/1998	Disanto
5,838,682	A	11/1998	Dekelbaum
5,844,972	A	12/1998	Jagadish
5,848,161	A	12/1998	Luneau
5,857,201	A	1/1999	Wright, Jr. et al.
5,862,325	A	1/1999	Reed
5,862,330	A	1/1999	Anupam
5,862,339	A	1/1999	Bonnaure
5,867,153	A	2/1999	Grandcolas
5,867,661	A	2/1999	Bittinger
5,867,688	A	2/1999	Simmon et al.
5,884,312	A	3/1999	Dustan
5,887,171	A	3/1999	Tada
5,890,155	A	3/1999	Steinman
5,896,444	A	4/1999	Perlman
5,901,287	A	5/1999	Bull
5,903,845	A	5/1999	Buhrmann
5,905,251	A	5/1999	Knowles
5,907,547	A	5/1999	Foladare
5,918,019	A	6/1999	Valencia
5,923,756	A	7/1999	Shambroom
5,926,624	A	7/1999	Katz
5,926,636	A	7/1999	Lam
5,937,041	A	8/1999	Cardillo, IV et al.
5,954,799	A	9/1999	Goheen
5,987,256	A	11/1999	Wu et al.
6,034,963	A	3/2000	Minami et al.
6,049,821	A	4/2000	Therault et al.
6,058,422	A	5/2000	Ayanoglu et al.
6,065,120	A	5/2000	Laursen
6,119,137	A	9/2000	Smith et al.
6,167,409	A	12/2000	DeRose et al.
6,169,992	B1	1/2001	Beall
6,178,433	B1	1/2001	Nakamura
6,209,026	B1	3/2001	Ran et al.
6,233,608	B1	5/2001	Laursen
6,317,781	B1	11/2001	DeBoor
6,377,886	B1	4/2002	Gotou
6,393,014	B1	5/2002	Daly et al.
6,610,105	B1	8/2003	Martin
6,795,708	B1	9/2004	Patel
6,845,102	B1	1/2005	Bendelac et al.
6,895,234	B1	5/2005	Laursen

OTHER PUBLICATIONS

Gessler et al., "PDSs as Mobile WWW Browsers," Computer Networks & ISDN Systems, vol. 28, #1-2, 1995, pp. 53-59.

Kaashock et al., "Dynamic Documents: Mobile Wireless Access to the WWW," Proceedings of the IEEE Workshop on Mobile Computing Systems and Applications, Dec. 1994, pp. 1-6.

Kaashock et al., "Dynamic Documents: Extensibility and Adaptability in the WWW," Proceedings of the IEEE Workshop on Mobile Computing Systems and Applications, Dec. 1994, pp. 1-10.

Lijeberg et al., "Optimizing World-Wide Web for Weakly Connected Mobile Workstation: An Indirect Approach," SDNE, Jun. 5-6, 1995, pp. 1-8.

Schilit et al., "Context-Aware Computing Applications," Proceedings of the IEEE Workshop on Mobile Computing Systems and Applications, Dec. 1994, pp. 1-7.

Schilit et al., "Tele Web: Loosely Connected Access to the World Wide Web," Fifth International World Wide Web Conference, May 6-10, 1996, pp. 1-14.

Voelker et al., "Mobisaic: An Information System for a Mobile Wireless Computing Environment," Proceedings of the IEEE Workshop on Mobile Computing Systems and Applications, Dec. 1994, pp. 53-59.

Allaire Announces Partnership with Unwired Planet to Deliver Web Applications to Wireless Internet Devices; Allaire's Cold Fusion Web Application Development Tool will Support Unwired Planet's UP.Link Software Platform for Wireless Web Devices such as AT&T's PocketNet Cellular Phone, BusinessWire, Dec. 4, 1996, 4 pgs.

AT&T PocketNet Phone, Fact Sheet. AT&T Wireless Services, Jul. 1996, 1 pg.

AT&T PocketNet Service User's Guide, AT&T Wireless Services, Aug. 2, 1996, 31 pgs.

AT&T Wireless Services, Developing Applications for the PocketNet Phone, White Paper, Oct. 11, 1996, 14 pgs.

AT&T Wireless Services, How to Use AT&T PocketNet Service, Aug. 21, 1996, 20 pgs.

Bartlett, Experience with a Wireless World Wide Web Client, Proceedings of the 40th IEEE Computer Society International Conference, San Francisco, CA, Mar. 5-9, 1995, 5 pgs.

Bartlett, W4—The Wireless World Wide Web, Proceedings of the 1994 First Workshop on Mobile Computing Systems and Applications, Santa Cruz, CA, Dec. 8-9, 1994, 4 pgs.

Bellcore Media Alert, U.S. Robotics Mobile Communications Corp. to Demonstrate First Wireless Web Browser using New Bellcore AirBrowse™ Software, Sep. 17, 1996, 1 pg.

Bellcore, AirBoss Family of Software Solutions, 1996, 10 pgs.

Cassel, Proof of Concept—Interactive Delivery of SMS and HDML Information Services, Bell Mobility Business and Applications Development, Nov. 20, 2006, 9 pgs.

ClariNet Communications Press Release, ClariNet Communications and Netscape Launch Inbox Direct Program, Business Wire, Oct. 2, 1996, 3 pgs.

Cold Fusion HDML SDK: An Overview of Wireless Web Applications, Mar. 8, 1997, 4 pgs.

Courtois, Portal: A PDA-to-World-Wide-Web Interface, FDA Developers 3.1, Jan./Feb. 1995, 3 pgs.

Crispin, RFC 1730: Internet Message Access Protocol—Version 4, Internet Engineering Task Force, Network Working Group. Dec. 1994, 77 pgs.

Damir, The Convergence of Internet and Wireless Communications, Handheld Systems, v. 5.5, Sep./Oct. 1997, 64 pgs.

Delespinasse, Rover Mosaic: E-mail Communication for a Full-Function Web Browser, MIT Thesis, May 26, 1995, 43 pgs.

Fox, Adapting to Network and Client Variability via On-Demand Dynamic Distillation, Proceedings of the 7th international conference on Architectural support for programming languages and operating systems (ASPLOS-VII), ACM, New York, NY, USA, 1996, 12 pgs.

Fox, GloMop: Global Mobile Computing by Proxy, Sep. 13, 1995, 2 pgs.

Gareiss, A Value-Added Service With Brains, Data Communications, vol. 24, No. 1, Jan. 1995, 3 pgs.

Gessler, PDAs as Mobile WWW Browsers. Computer Networks and ISDN Systems, vol. 28, No. 1-2, 1995, 11 pgs.

Glassman, Cordless Magic Link, sent to Magic Cap Discussion List, Jun. 2, 1995, 1 pg.

Glassman, Cordless Magic Link-Clarification, sent to Magic Cap Discussion List, Jun. 3, 1995, 1 pg.

Glassman, Wireless Magic Link, sent to Magic Cap Discussion List, Jul. 7, 1995, 1 pg.

Hall, HP's OmniGo 700LX Communicator Plus, The HP Palmtop Paper, vol. 4, No. 6, Nov./Dec. 1995, 3 pgs.

Housel, WebExpress: A System for Optimizing Web Browsing In A Wireless Environment, MobiCom '96 Proceedings of the 2nd Annual International Conference on Mobile Computing and Networking 108, 1996 pp. 108-116.

(56)

References Cited

OTHER PUBLICATIONS

- Individual, Inc. Press Release, Individual Inc. and Netscape Launch Personalized News Service for Netscape 3.0 Users, Financial News, Sep. 10, 1996, 2 pgs.
- Jacobs, Metricom's Second Wireless Network. InternetWeek, Sep. 9, 1996, 2 pgs.
- Joshi, On Mobile Systems and Disconnected Browsing of Distributed Information, Computer Science. Technical Reports, Paper 1295, Purdue University, Jun. 1, 1996, 30 pgs.
- Kaashoek, Dynamic Documents: Extensibility and Adaptability in the WWW, MIT Laboratory for Computer Science, Cambridge, MA, Sep. 15, 1994, 12 pgs.
- Kaashoek, Dynamic Documents, Mobile Wireless Access to the WWW, MIT Laboratory for Computer Science, Aug. 12, 1994, 6 pgs.
- Kiiskinen, Data Channel Service for Wireless Telephone Links, Department of Computer Science, University of Helsinki, Jan. 1996, 20 pgs.
- Lamb, Lotus Notes Network Design, McGraw Hill, 1996, 279 pgs.
- Liljeberg, Optimizing World-Wide Web for Weakly Connected Mobile Workstations: An Indirect Approach, Dept. of Computer Science, Univ. of Helsinki, 1995, 8 pgs.
- Magic Cap Means Communication, General Magic Inc., 1994, 31 pgs.
- Memorandum of Understanding between YRLESS Internet Corporation ("YRLESS") and Bell Mobility Cellular Inc. . . . ("BMC"), Nov. 30, 1996, 1 pg.
- Mercury Mail Inc. Press Release, Web-Style E-mail Now Widely Available, Financial News, Oct. 2, 1996, 1 pg.
- Mills, A Ricochet for Users About Town; This Internet Link Points More to Local Access, The Washington Post, Nov. 18, 1996, 3 pgs.
- Netscape Communications Corporation Press Release, Netscape Announces Availability of Netscape Navigator 3.0 With Free Offer of High Quality Content Delivered Directly to User's Inboxes, Aug. 19, 1996, 3 pgs.
- Netscape Communications Corporation Press Release, Netscape In-Box Direct for Suitespot Brings Tailored News Delivery to Enterprise Users. Nov. 18, 1996, 2 pgs.
- Netscape Communications Corporation Press Release, Netscape Inbox Direct Service Announced Today Offers Customized News Delivery for Netscape Navigator Users, PR Newswire, Aug. 19, 1996, 3 pgs.
- Netscape Communications Corporation Press Release, The New York Times and Netscape Deliver First Personalized Edition Of The New York Times at No Charge to Millions Via Netscape Navigator, Financial News, Aug. 19, 1996, 2 pgs.
- Newton Internet Enabler User's Manual, Apple Computer Inc., 1997, 29 pgs.
- Nokia 9000 Communicator User's Manual, Nokia Mobile Phones, 1995, 98 pgs.
- Nokia 9000i Communicator User's Manual, Nokia Mobile Phones, Jun. 7, 1998, 126 pgs.
- Now—Internet Access From Your Cellular Phone, Brochure, Unwired Planet, 1996, 4 pgs.
- O'Hara, Microsoft Windows CE for the Handheld PC, 1997, ????
- PageBlazer, UP.Link Ignite Wireless Intranet Applications, Business Wire, Aug. 20, 1996, 2 pgs.
- Pyle, The Architecture of Lotus Notes, Lotus Notes Advisor, Premier Issue, Feb. 1995, 15 pgs.
- RIM, TAD-95 Competition, Final Report, Apr. 28, 2008, pp. 1-12.
- Seybold, New Technologies, Existing Carriers. Andrew Seybold's Outlook on Communications and Computing. vol. 14, No. 12, Jul. 26, 1996, 44 pgs.
- Seybold, Notebook Computers, Two Companies, Two Approaches, Andrew Seybold's Outlook on Communications and Computing. vol. 15, No. 1, Aug. 23, 1996, 40 pgs.
- Seybold, PDAs: An Update, Andrew Seybold's Outlook on Communications and Computing, vol. 14, Nos. 4/5, Nov./Dec. 1995, 43 pgs.
- Software License and Support Agreement, Unwired Planet, Inc. And AT&T Wireless Services Inc., May 1, 1996, 109 pgs.
- Sony's New Magic Link Personal Communicator, NewsBytes News Network, Sep. 29, 1994, 2 pgs.
- Taylor, Inside the Firewall—A wireless future: Ricochet modems keep users in touch, InfoWorld, Dec. 2, 1996, 2 pgs.
- The AT&T PocketNet Phone Ushers in Era of the Wireless Internet Appliance, Unwired Planet, Jul. 11, 1996, 4 pgs.
- Unwired Planet Brings the Web to Cellular Telephones and Pagers; Company's open UP.Link platform brings Web, intranet access to pocket-size cellular phones and two-way pagers, Business Wire, Jul. 11, 1996, 4 pgs.
- Using the UP.Browser, Unwired Planet, Jul. 1997, 72 pgs.
- Using UP.Mail, Unwired Planet, Jul. 1997, 54 pgs.
- Voelker, Mobisaic: An Information System for Mobile Wireless Computing Environment, Proc. of Workshop on Mobile Computing Systems and Applications, Santa Cruz, CA, Dec. 8-9, 1994, 7 pgs.
- Wayner, Agent-Enhanced Communicator, Byte, Feb. 1995, pp. 103-104.
- Wolf, The Ricochet wireless modem keeps you in touch, Computer Shopper, vol. 16, No. 12, Dec. 1, 1996, 3 pgs.
- Joshi, A. et al., "Mowser: Mobile Platforms and Web Browsers," Bulletin of the IEEE Technical Committee on Operating Systems and Application Environments, vol. 8, No. 1, 1996.
- Sony Corporation, "MagicLink User's Guide: PIC-1000 Personal Intelligent Communicator," 1994.
- Unwired Planet, Inc., "UP.Link Developer's Guide," Version 1.0, Part No. UDG-10 (document dated Jul. 1996; known publication date May 22, 1997).
- Unwired Planet, Inc., "HDML Language Reference," Version 1.0, Part No. HLR-10 (document dated Jul. 1996; known publication date May 22, 1997).
- Unwired Planet, Inc., "Using UP.Mail," Version 1.0.1, Part No. UPME-101-DOC (document dated Aug. 1996; known publication date May 22, 1997).
- Unwired Planet, Inc., "Using the UP.Browser," Version 1.0.1, Part No. UPBR-101-DOC (document dated Aug. 1996; known publication date May 22, 1997).
- United States International Trade Commission, "Respondents Research in Motion Ltd., Research in Motion Corp., and Apple Inc.'s Joint Motion for Summary Determination of Invalidity of U.S. Patent No. 6,233,608 Pursuant to 35 U.S.C. §§ 102 & 103," in the Matter of Certain Devices for Mobile Data Communication, Investigation No. 337-TA-809, Aug. 15, 2012.
- United States International Trade Commission, "Unwired Planet, Inc.'s Memorandum of Points and Authorities in Opposition to Apple Inc., Research in Motion, Ltd., and Research in Motion Corporation's Motion for Summary Determination of Invalidity of U.S. Patent No. 6,233,608 Pursuant to 35 U.S.C. §§ 102 & 103 (Motion No. 43)," in the Matter of Certain Devices for Mobile Data Communication, Investigation No. 337-TA-809, Aug. 31, 2012.
- United States International Trade Commission, "Order No. 46: Construing the Terms of the Asserted Claims of the Patents at Issue," In the Matter of Certain Devices for Mobile Data Communication, Investigation No. 337-TA-809, Sep. 28, 2012.
- United States International Trade Commission, "Order No. 60: Initial Determination Granting Complainant's Unopposed Motion for Termination of the Investigation Based on Withdrawal of the Complaint," In the Matter of Certain Devices for Mobile Data Communication, Investigation No. 337-TA-809, Oct. 12, 2012.

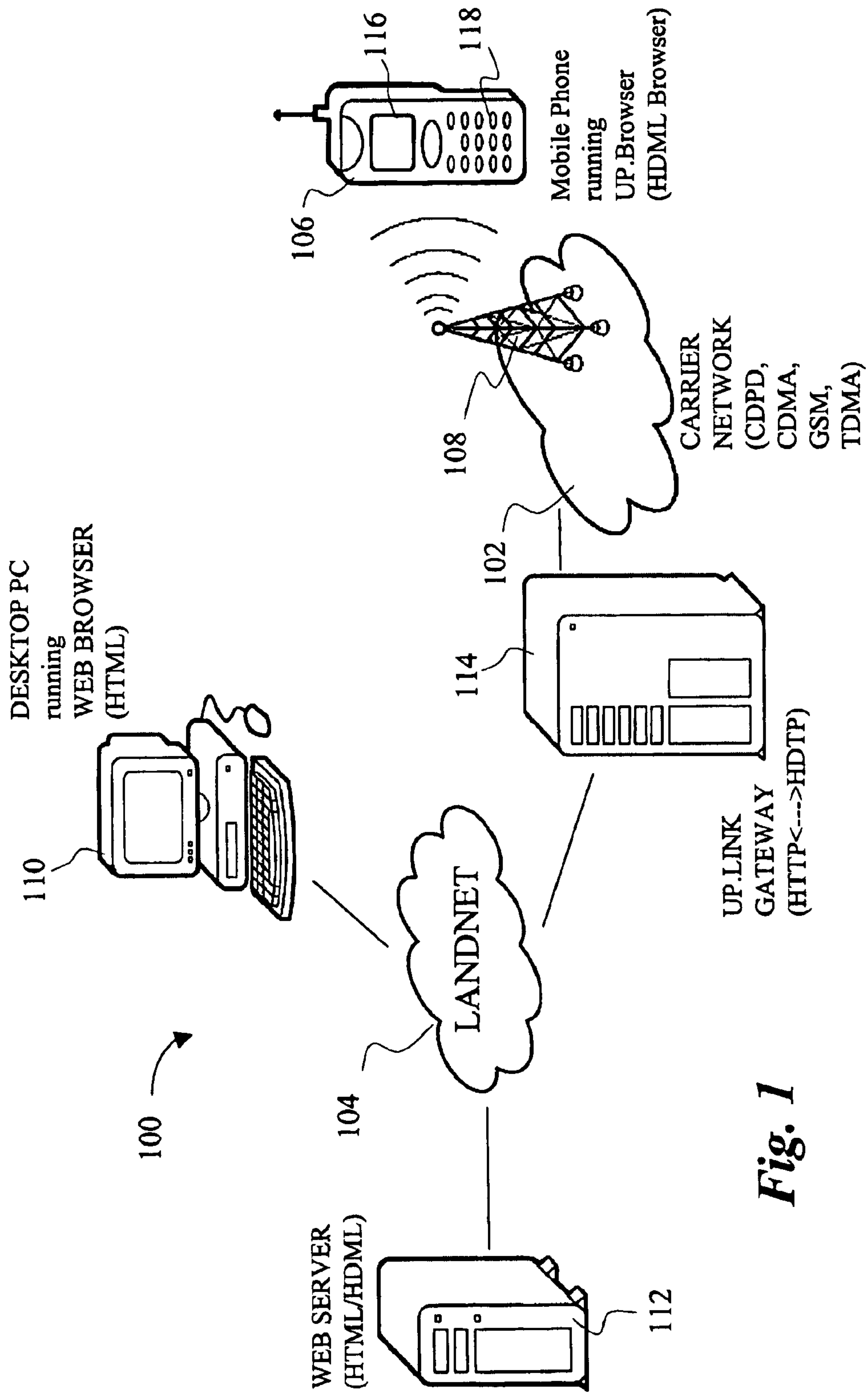


Fig. 1

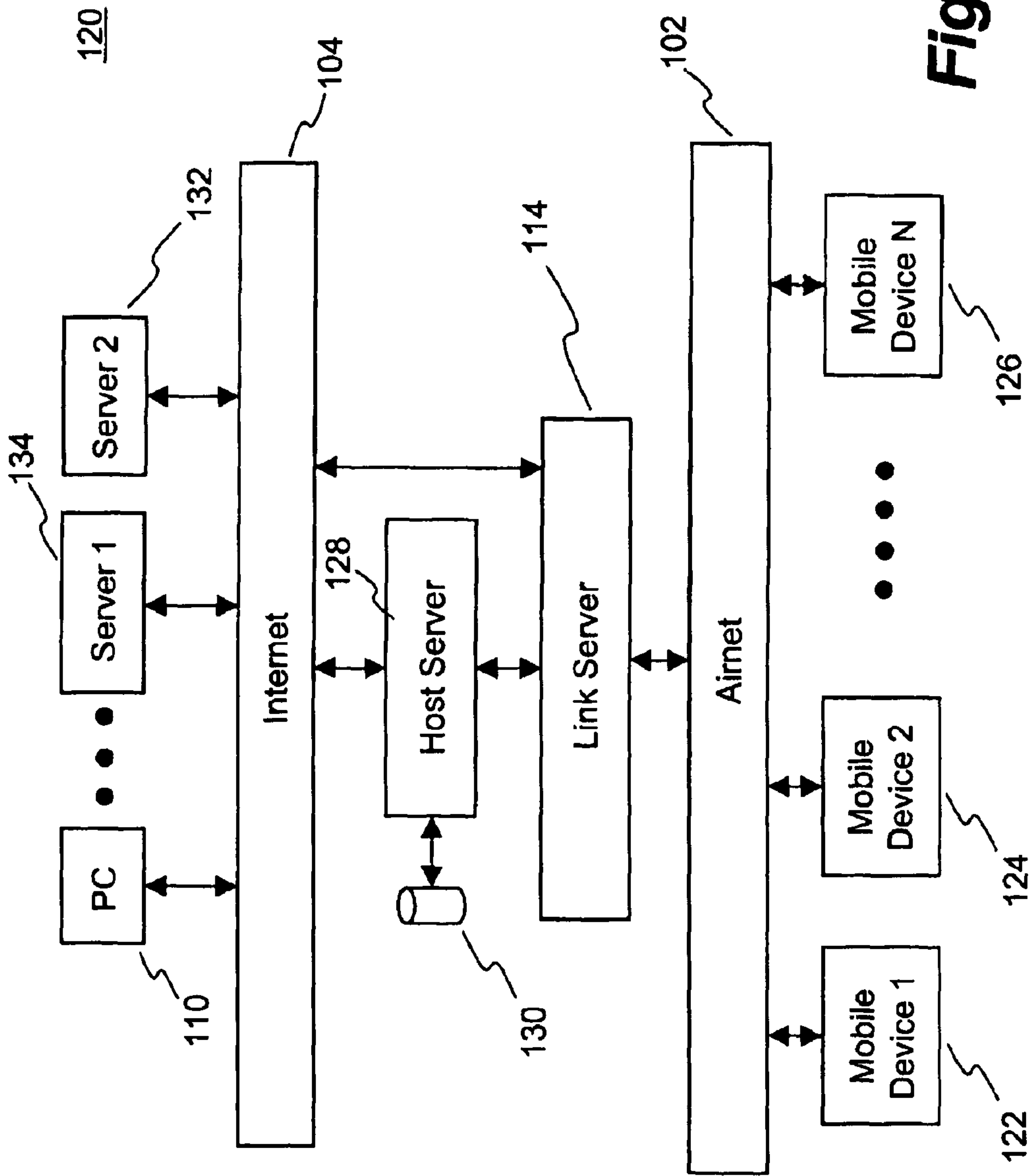


Fig. 2.a

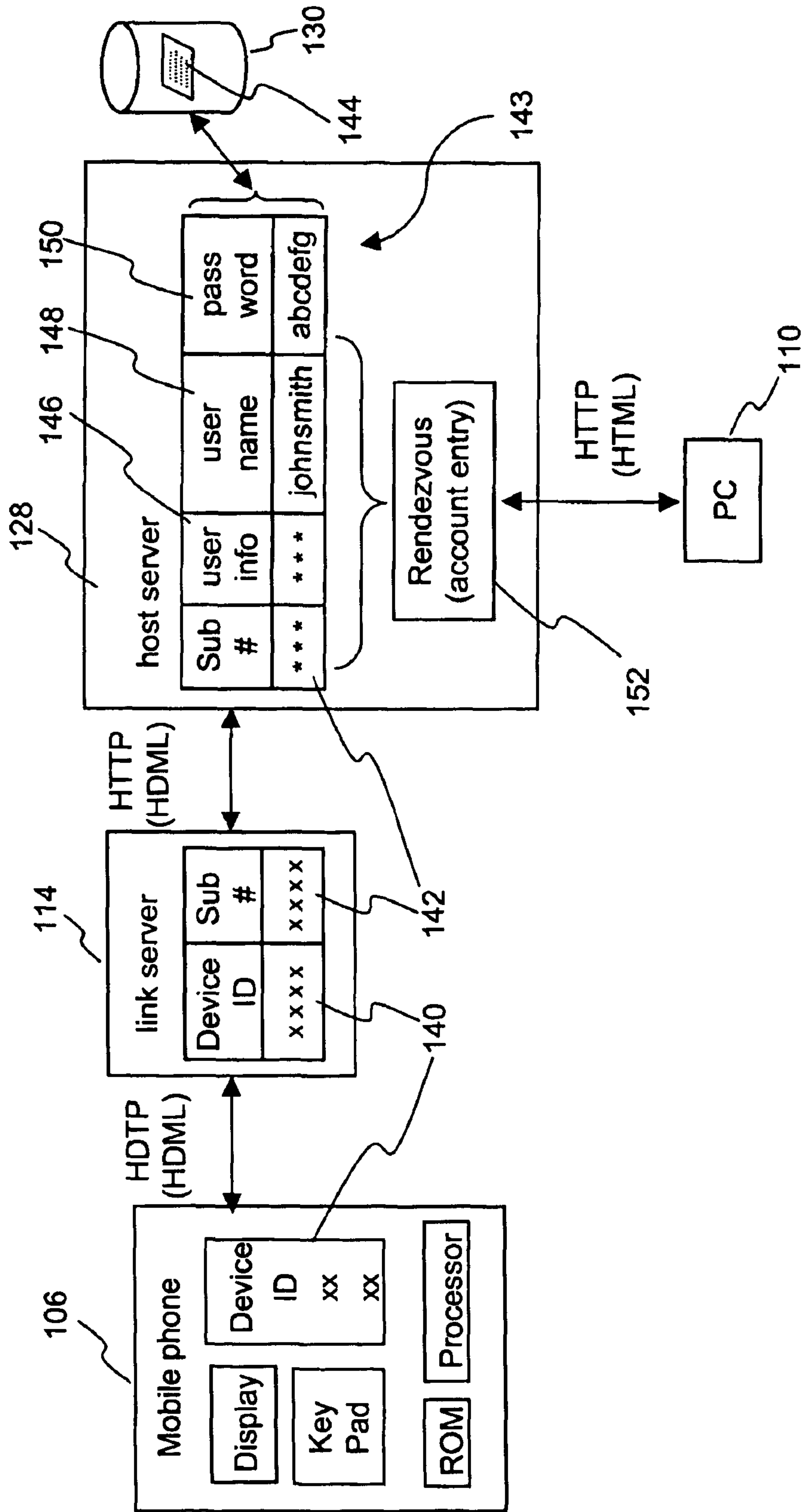


Fig. 2.b

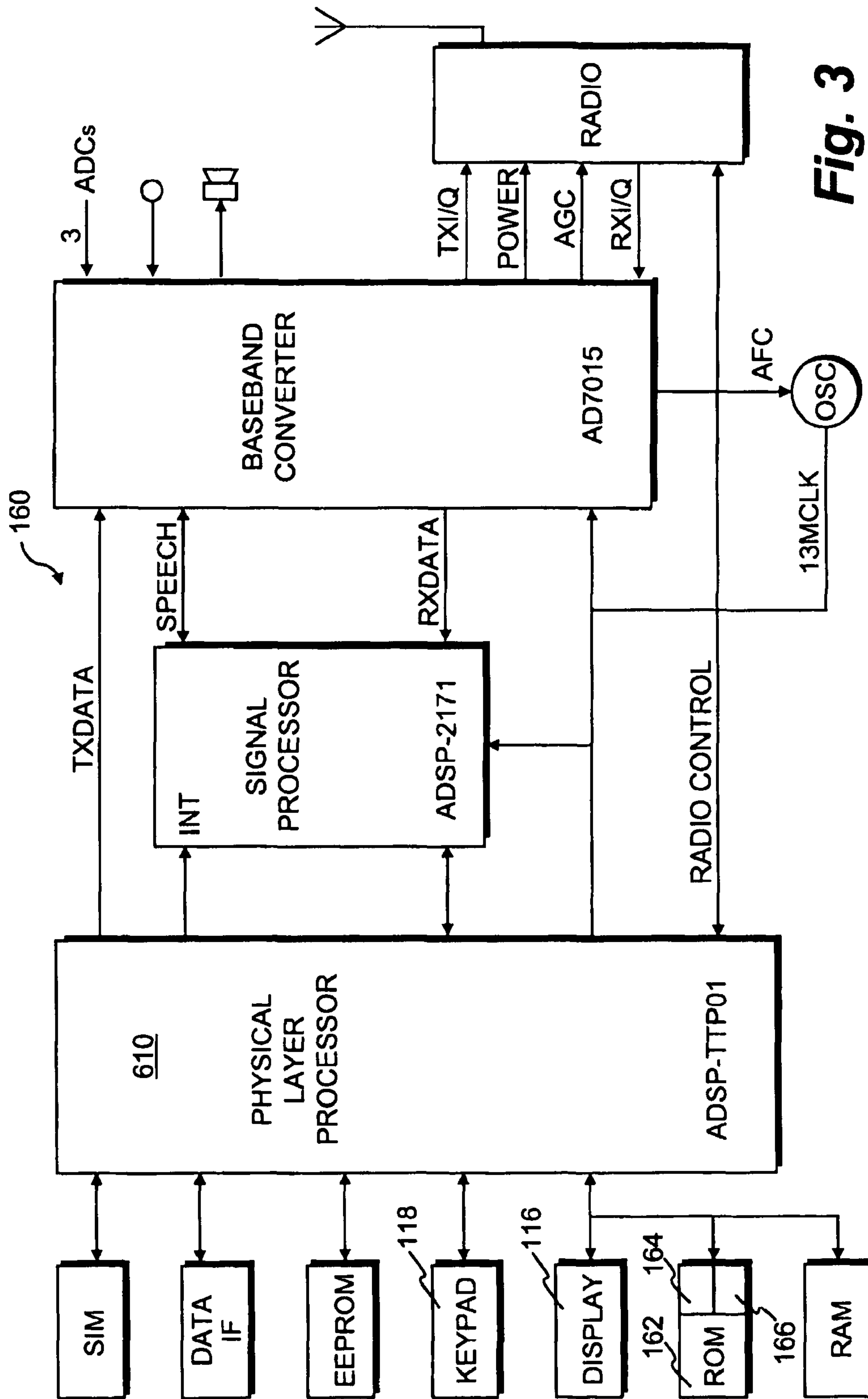


Fig. 3

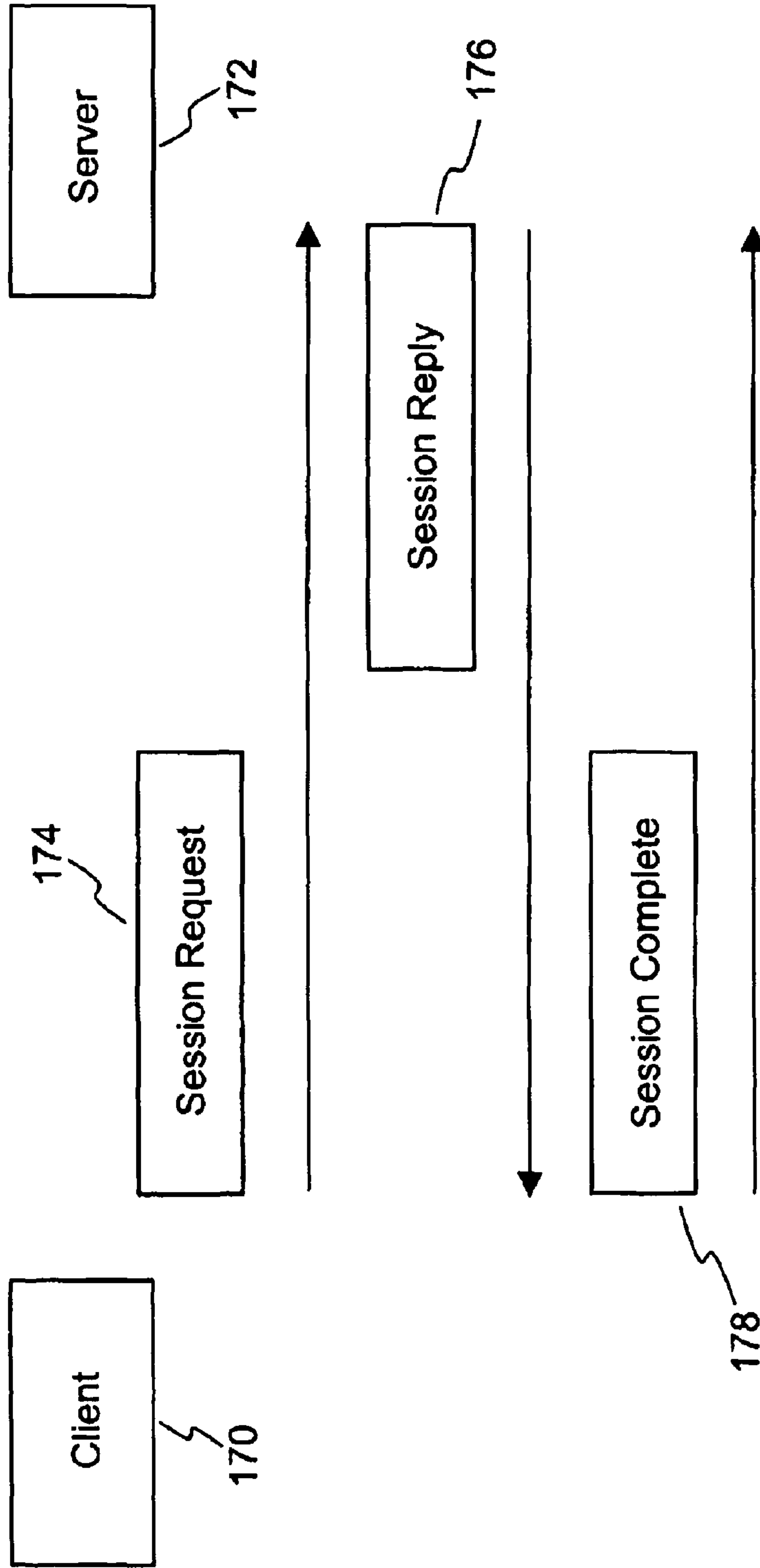


Fig. 4

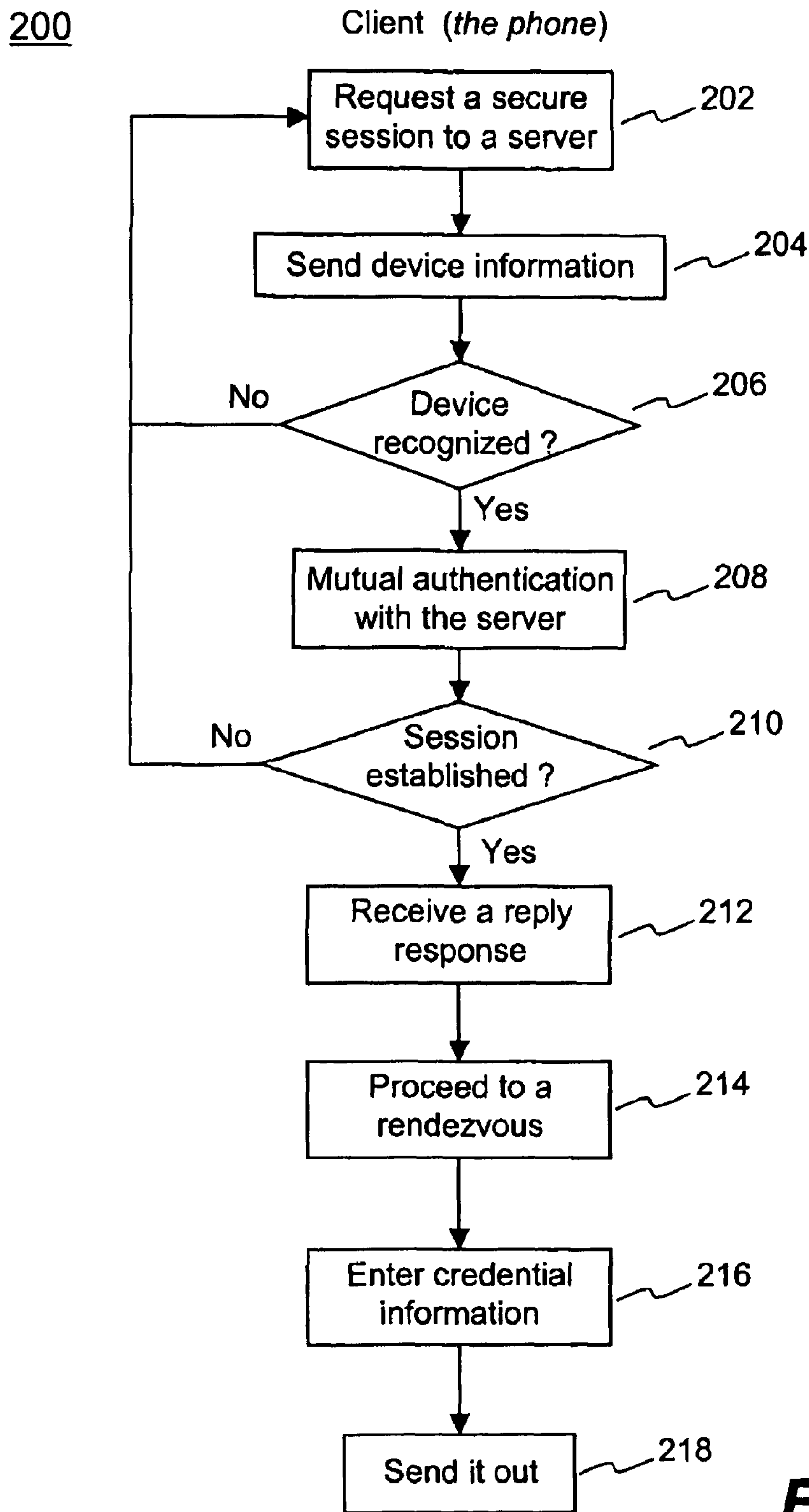


Fig. 5.a

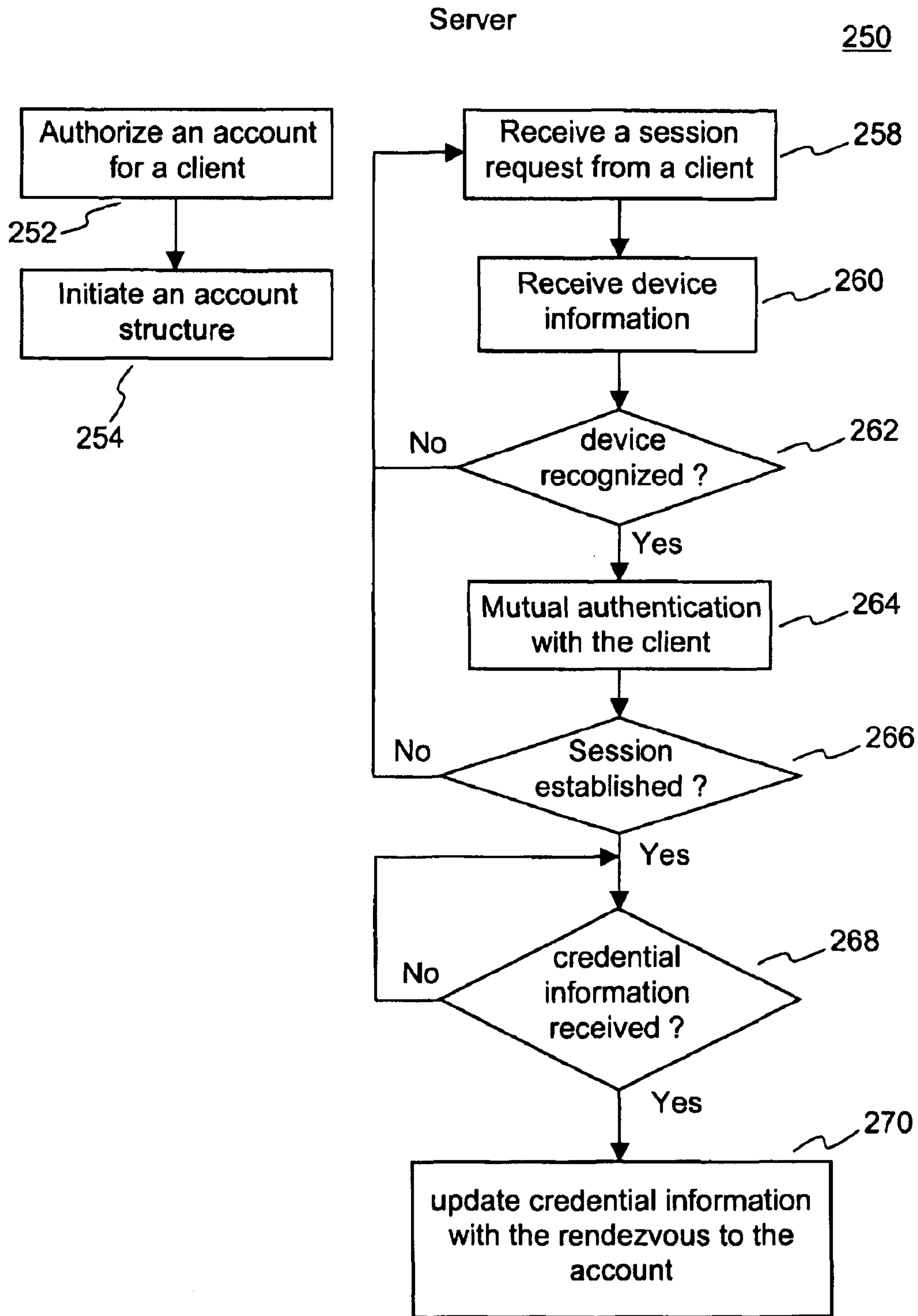


Fig. 5.b

300

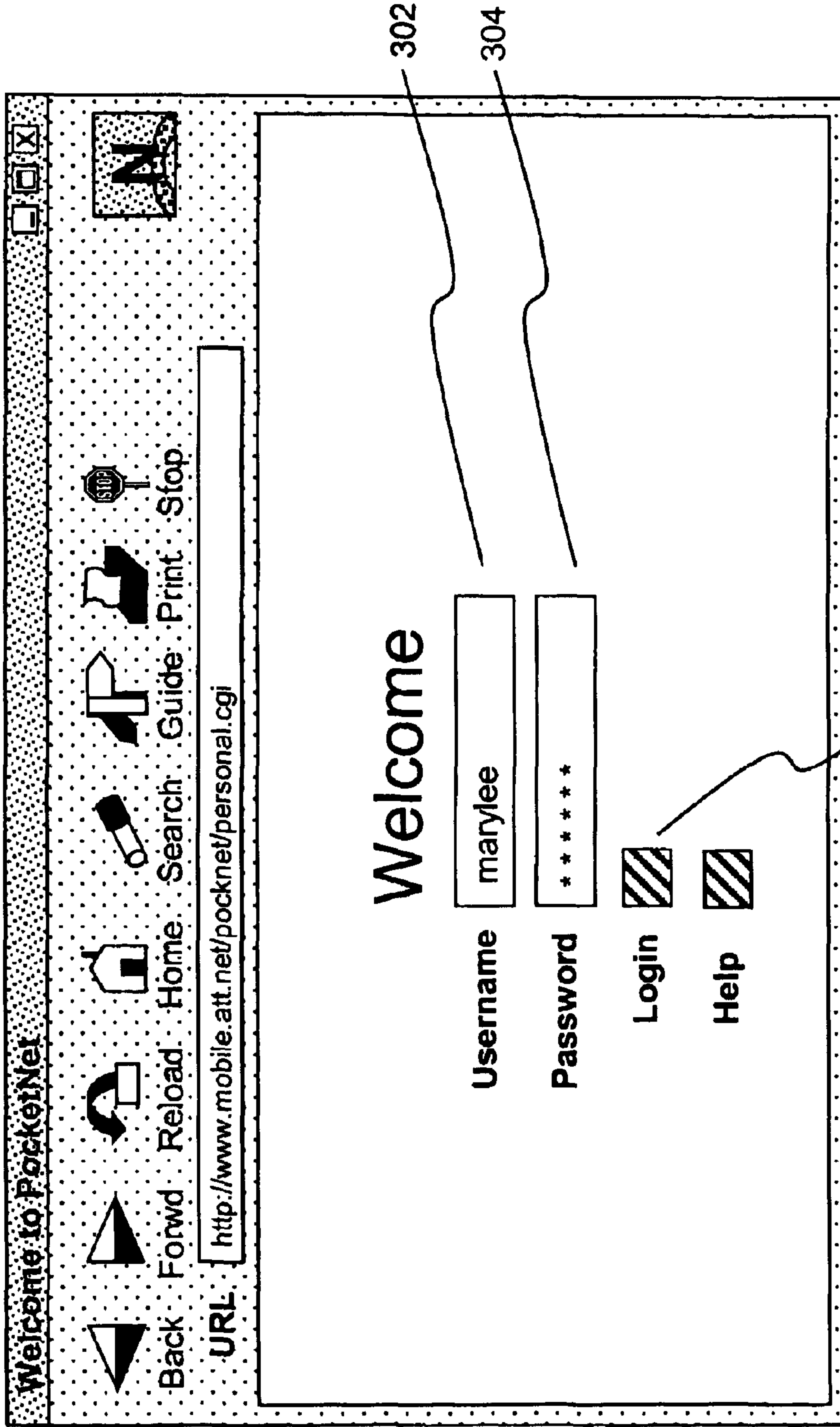
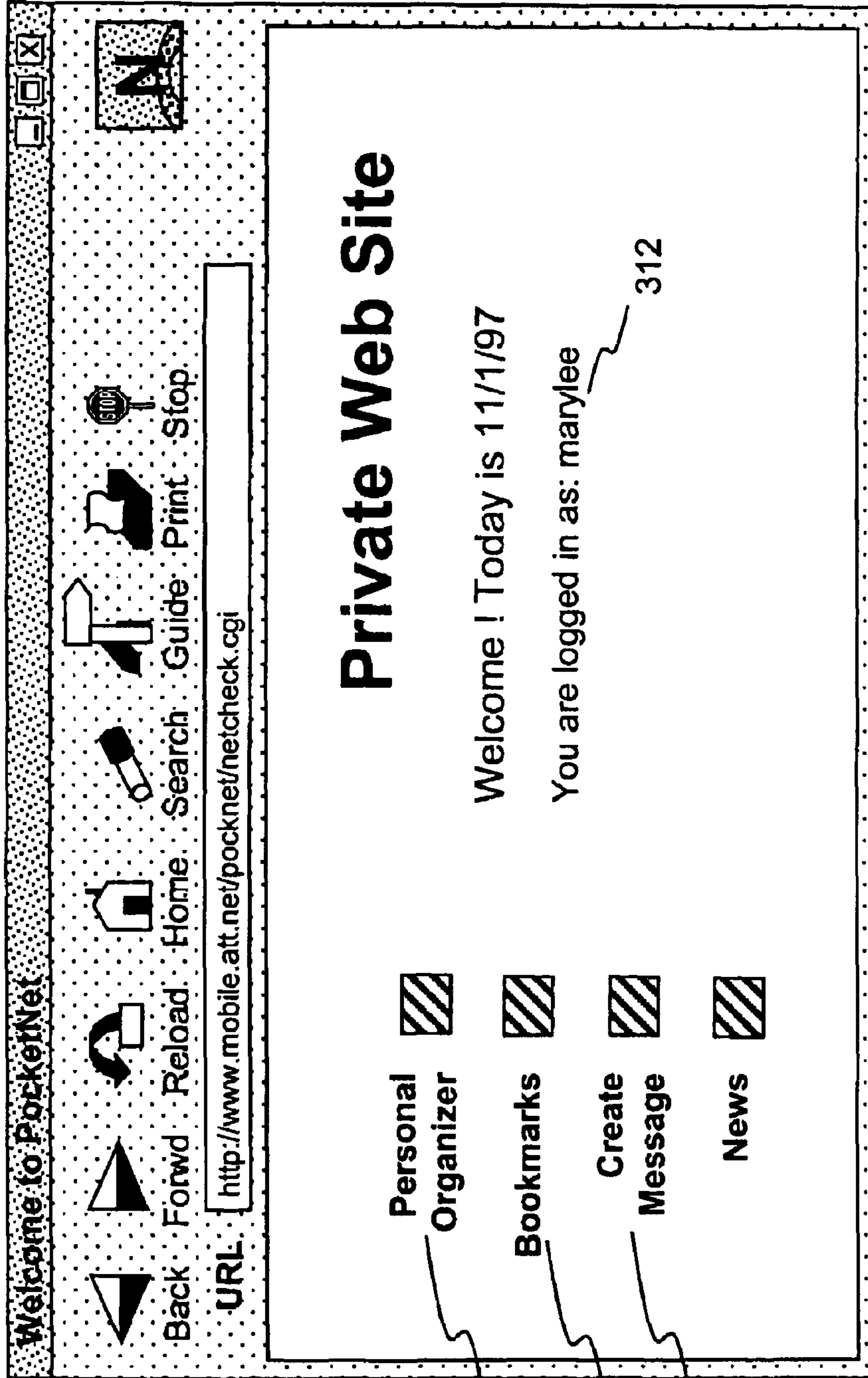


Fig. 6

310



314

316

318

Fig. 7

326

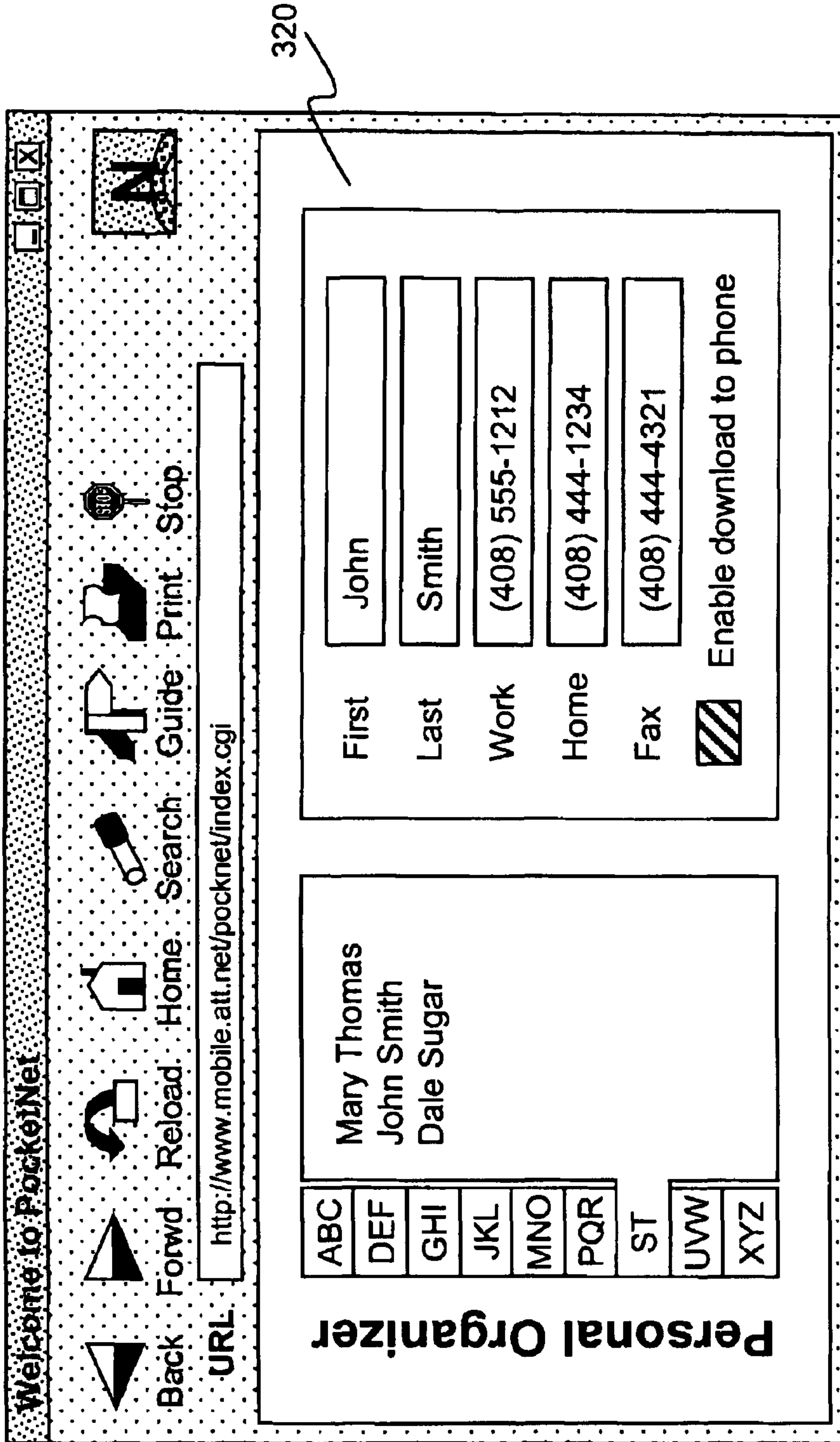


Fig. 8

328

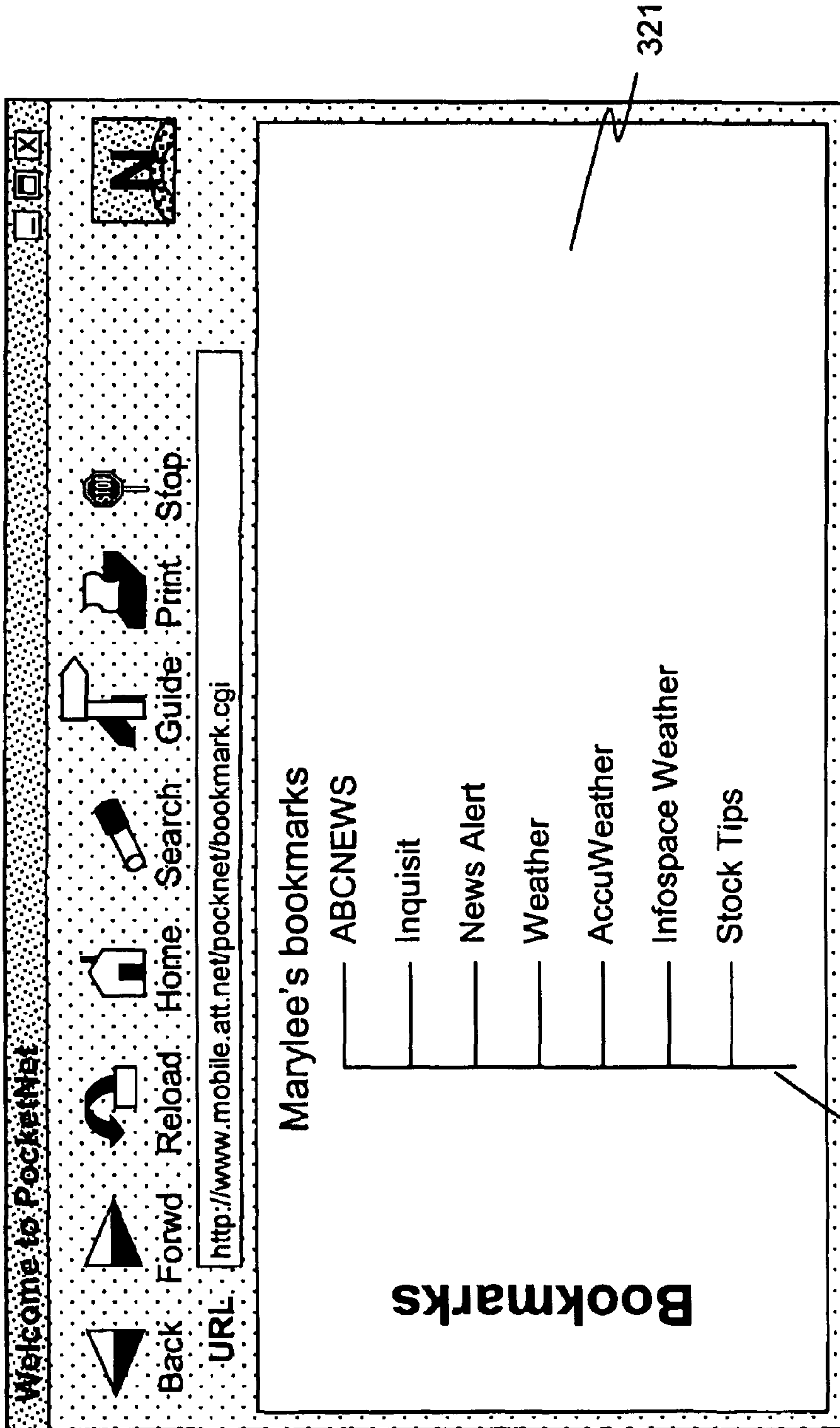


Fig. 9

330

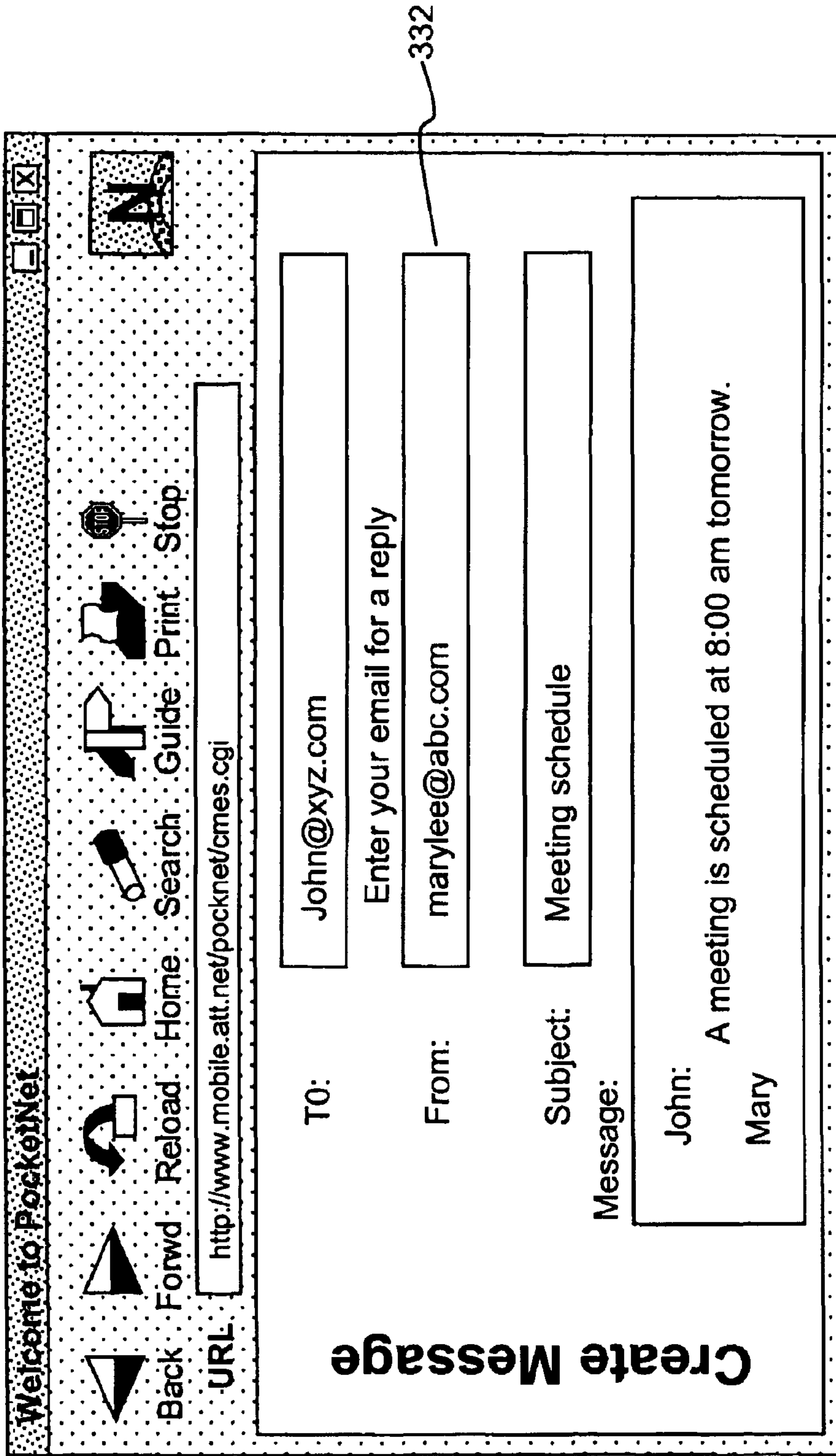


Fig. 10

**METHOD AND APPARATUS FOR ACCESSING
A COMMON DATABASE FROM A MOBILE
DEVICE AND A COMPUTING DEVICE**

Matter enclosed in heavy brackets [] appears in the original patent but forms no part of this reissue specification; matter printed in italics indicates the additions made by reissue.

CROSS-REFERENCE TO RELATED
APPLICATIONS

This application is a divisional application of U.S. application Ser. No. 09/410,859, filed on Oct. 1, 1999 now U.S. Pat. No. 6,895,234, entitled "Method and Apparatus for Accessing a Common Database from a Mobile Device and a Computing Device," which is a continuation of prior application Ser. No. 08/987,346, filed on Dec. 9, 1997, entitled "Method and Architecture for Self-Provisioning a Rendezvous to Ensure Secure Access to Information in a Database from Multiple Devices," now U.S. Pat. No. 6,065,120, which is hereby incorporated herein by reference.

COPYRIGHT STATEMENT

A portion of the disclosure of this patent document contains material that is subject to copyright protection. The copyright owner has no objection to the facsimile reproduction by anyone of the patent document or the patent disclosure as it appears in the patent and Trademark Office patent file or records, but otherwise reserves all copyrights whatsoever.

BACKGROUND OF THE INVENTION

1. Field of the Invention

The invention relates to user authentication systems over data network systems and, more particularly, relates to a method and system for self-provisioning, through a first device, a rendezvous to ensure secure access to managed information in a user account by other devices through the rendezvous in a data network, wherein the rendezvous is generally identified by a URL, the first device, coupled to the data network, runs a first browser under a first communication protocol and the other devices in the same data network run a second browser under a second communication protocol.

2. Description of the Related Art

The Internet is a rapidly growing communication network of interconnected computers around the world. Together, these millions of connected computers form a vast repository of hyperlinked information that is readily accessible by any of the connected computers from anywhere and anytime. To provide mobility and portability of the Internet, wireless computing devices were introduced and are capable of communicating, via wireless data networks, with the computers on the Internet. With the wireless data networks, people, as they travel or move about, are able to perform through the wireless computing devices exactly the same tasks they could do with computers on the Internet.

The most common remote access paradigm is, as of today, the one in which a laptop personal computer is equipped with a wireless communication mechanism, for example, a wireless modem. This paradigm may remain useful for a considerable number of applications and users, but there has been a growing need for a mobile paradigm in which the Internet can be instantly accessed by mobile devices, such as cellular phones and personal digital assistants. The mobile devices are

generally designed small in size and light in weight. With increasing data processing capabilities in the mobile devices, more and more users start carrying the devices around to materialize their unproductive time into productive time. As more commonly seen, regular mobile phones can return calls, check voice mail or make users thereof available for teleconferences anywhere and anytime, but desired mobile phones, not just reactive to calls but also proactive, can meld voice, data, and personal information with manager-like functionality into a single handset that can effectively, through a host computer, access a myriad of public and enterprise information services in the Internet.

The evolution of the mobile phones or the mobile devices has been fueled by the demand of users for immediate access to the information they are looking for. For example, a traveler may request an exact flight schedule when he is on his way to the airport, or a trader may purchase shares of stock at a certain price. The pertinent information from these transactions may include the airline and the flight number for the traveler, or the number and price of the shares being purchased by the trader. To be timely informed, a preferable way is to communicate the information requests electronically into the wireless data network. The data network, for example, connects to a flight information server or stock quote server so that the desired flight information or the current stock price can be retrieved therefrom on demand. However, it becomes troublesome or impractical to key in lengthy information queries electronically into the data network through a mobile device that typically has a keypad with a few buttons, much less functional compared to a keyboard in a personal computer system. There is, therefore, a great need for a method and system for efficiently communicating desired transactions into a data network through which the transactions can be performed or pertinent information can be retrieved, without the need to key in such information every time the transactions or the information is desired. In many cases, the desired information in a user account, especially regarding personal matters, is preferred to be confidential. Thus, there is further a need for a generic solution that provides a method and means for self-provisioning an account entry to a user account that has the proprietary information therein accessible only through the account entry.

SUMMARY OF THE INVENTION

The invention pertains to improved approaches for accessing data on a data network by a mobile device or a computing device. Typically, the mobile device (e.g., mobile telephone with a network browser) has a limited functionality user interface as compared with the full functionality user interface of the computing device (e.g., personal computer).

The invention can be implemented in numerous ways, including as a method, system, apparatus, and computer readable medium. Several embodiments of the invention are discussed below.

As a method for accessing data contained in a data network system, one embodiment of the invention includes the acts of: sending a request to a server hosting the data to retrieve the data by activating a key of a mobile device, the request being sent by executing a first set of program instructions in the mobile device, wherein the mobile device has a display screen and is in communication over a wireless data network with the server, and further, wherein the data is associated with the mobile device and is also accessible by a computing device executing a second set of program instructions and coupled to the server through a data network; receiving the data from the server via the wireless data network, the data presented in a

first format interpretable by the first set of program instructions; and displaying the data on the display screen of the mobile device.

As a computer readable medium including at least computer program code, executable in a mobile device having a display screen, for accessing data contained in a data network system, one embodiment of the invention includes at least: computer program code for sending a request over a wireless data network to a server hosting the data, the data being associated with the mobile device and accessible by a computing device coupled to the server through a data network; computer program code for receiving the data from the server via the wireless data network, the data received presented in a first format displayable by the mobile device and presented in a second format when accessed by the computing device; and computer program code for displaying the data on the display screen of the mobile device.

As a computer readable medium including at least computer program code executable in a server hosting data, the data accessible by a mobile device executing a first browser and by a computing device executing a second browser, wherein the mobile device is coupled to the server through a wireless network and the computing device is coupled to the server through a data network, one embodiment of the invention includes at least: computer program code for receiving a request from the mobile device through the wireless network to access the data; computer program code for retrieving the data; and computer program code for forwarding the data to the mobile device in a first format displayable on the display screen of the mobile device.

BRIEF DESCRIPTION OF THE DRAWINGS

These and other features, aspects, and advantages of the present invention will become better understood with regard to the following description, appended claims, and accompanying drawings where:

FIG. 1 shows a schematic representation of a data network in which the present invention may be practiced;

FIGS. 2a and 2b illustrate representations of the system architecture of the present invention and a layout of a corresponding user account in a server in communication with a mobile phone and a PC;

FIG. 3 shows a typical example of a mobile device that houses one portion of the linked and compiled processes disclosed in the present invention;

FIG. 4 illustrates a schematic representation of a mutual authentication process between a mobile device and a host server to ensure subsequent information transacted therebetween is secured;

FIGS. 5a and 5b are flowchart representations showing the corresponding processes in each of the involved devices; and

FIGS. 6, 7, 8, 9 and 10 illustrate examples of personalizing a user account being accessed through a self-provisioned rendezvous.

DETAILED DESCRIPTION OF THE INVENTION

In the following detailed description of the present invention, numerous specific details are set forth in order to provide a thorough understanding of the present invention. However, it will become obvious to those skilled in the art that the present invention may be practiced without these specific details. In other instances, well known methods, procedures, components, and circuitry have not been described in detail to avoid unnecessarily obscuring aspects of the present invention.

The following detailed description of the present invention is presented largely in terms of procedures, steps, logic blocks, processing, and other symbolic representations that resemble the operations of data processing devices coupled to networks. These process descriptions and representations are the means used by those experienced or skilled in the art to most effectively convey the substance of their work to others skilled in the art. The present invention is a method and system for self-provisioning a rendezvous through a thin device to ensure secure access by other devices to information in a database in a data network. The method, along with the system or architecture to be described in detail below, is a self-consistent sequence of steps leading to a desired result. These steps or processes are those requiring physical manipulations of physical quantities. Usually, though not necessarily, these quantities may take the form of electrical signals capable of being stored, transferred, combined, compared, displayed and otherwise manipulated in a computer system or electronic computing systems. It proves convenient at times, principally for reasons of common usage, to refer to these signals as bits, values, elements, symbols, operations, messages, terms, numbers, or the like. It should be borne in mind that all of these similar terms are to be associated with the appropriate physical quantities and are merely convenient labels applied to these quantities. Unless specifically stated otherwise as apparent from the following description, it is appreciated that throughout the present description, discussions utilizing terms such as "processing," "computing," "verifying," "displaying," or the like, refer to the actions and processes of a computing system that manipulates and transforms data represented as physical quantities within the computing device's registers and memories into other data similarly represented as physical quantities within the computing device or other such device, such as storage, transmission or display devices.

Referring now to the drawings, in which like numerals refer to like parts throughout the several views. FIG. 1 shows a schematic representation of a data network 100 in which the present invention may be practiced. The data network 100 comprises an airtel 102 that is generally called a wireless network, and a landnet 104 that is generally a landline network, each acting as a communication medium for data transmission therethrough. The airtel 102, in which transmission is via the air, is sometimes referred to as a carrier network because each airtel is controlled and operated by a carrier, for example, AT&T and GTE, each having its own communication scheme, such as CDPD, CDMA, GSM and TDMA, for the airtel 102. The landnet 104 or the Internet, used interchangeably herein, may be the Internet, an intranet or other private networks. Referenced by 106 is a mobile data device, but resembling a mobile phone therein, in communication with the airtel 102 via an antenna 108. It is generally understood that the airtel 102 communicates simultaneously with a plurality of mobile computing devices of which only a mobile or cellular phone 106 is shown in the figure. Similarly, connected to the Internet 104 are a plurality of desktop PCs 110 and a plurality of servers 112, though only one representative is shown in the figure. The PC 110, as shown in the figure, may be a personal computer and runs a HTML Web browser via the Internet 104 using HTTP to access information stored in the web server 112 which may be a workstation. It is understood by those skilled in the art that the PC 110 can store accessible information therein so as to become a web server as well. Between the Internet 104 and the airtel 102 there is a link server 114 performing data communication between the Internet 104 and the airtel 102. The link server 114, also referred to as a link proxy or gateway, may be a

5

workstation or a personal computer and performs mapping or translation functions, for example, communication protocol mapping from one protocol to another, thereby a mobile device **106** can be in communication with any one of the servers **112** or the PCs **110**.

The communication protocol in the Internet **104** is the well known HyperText Transfer Protocol (HTTP) and runs on TCP and controls the connection of a well known HyperText Markup Language Web browser, (HTML Web browser), to a Web server and the exchange of information therebetween. The communication protocol between the mobile device **106** and the link server **114** via the airnet **102** is Handheld Device Transport Protocol (HDTP) or Secure Uplink Gateway Protocol (SUGP), which preferably run on User Datagram Protocol (UDP) and controls the connection of a HDML Web browser to a link server and a set of commands or statements that specify how information is displayed. HDML stands for Handheld Device Markup Language, which is similar to that of HTML. The specifications of both HDTP and HDML, being considered as the wireless network standards, are available for additional details. Further, a reference specification entitled "Magellan SUGP Protocol," a HTTP specification with network security features, is incorporated herein by U.S. Pat. No. 6,065,120. HDTP is a session-level protocol that resembles HTTP but without incurring the overhead thereof and is highly optimized for use in mobile devices that have significantly less computing power and memory. Further, it is understood by those skilled in the art that the UDP does not require a connection to be established between a client and a server before information can be exchanged, which eliminates the need for exchanging a large number of packets during a session between a client and a server. Exchanging a very small number of packets during a transaction is one of the desired features for a mobile device with very limited computing power and memory to effectively interact with a landline device.

Referring now to FIGS. 2.a and 2.b, there is depicted a representation of the architecture **120** of the present invention. As described above, the airnet **102** communicates simultaneously with a plurality of two-way mobile communication devices, **122**, **124** and **126**, generally from a group consisting of mobile phones, two-way pagers and telephones. Due to the increasing reduction in size and weight and high portability, most of the mobile devices, considered as thin clients, have a very limited computing power, typically equivalent to less than one percent of what is provided in a typical desktop or portable computer. The memory capacity in a thin client is generally less than 250 kilobytes and the LCD display thereof is perhaps four lines high by twelve or twenty characters, the graphics capabilities thereof are very limited or nearly nonexistent and the general user interface is a keypad having far less buttons than a PC keyboard. Therefore, many transactions desired by users through such clients are preferably predetermined or pre-entered in their user accounts in a host server **128**. As such, the users need only to select desired transactions to perform or at most key in one or two letters corresponding to desired entries through the keypads of their cellular phones. For example, if there is a list of stock symbols of interest in a user account that is designated to a mobile phone, a user of the mobile phone will not have to key in the symbols every time he desires to look up the price thereof currently being traded in the stock market. The list of stock symbols is previously entered to the user account. Evidently, the most available and convenient means for now is to use a computing device that has powerful and full functional information entering capabilities. A PC is a typical example of such computing device, the PC can be equipped with the

6

well-known HTML browser that provides a rich graphic user interface and an ideal environment for the user to manage his personalized information in his account.

As is well known, the Internet **104** is typically a landline network connecting computers that utilize the HTML browser. Referenced by **110** is a PC representing one of the computers that use the HTML browser running on HTTP to hyperlink to other computers/servers **132** or **134** to update/fetch information on line or simply copy files therefrom. It should be noted that "user account" and "database" have been used herein sometimes interchangeably when only one account is being addressed. It is generally understood that a database or an allocation of memory, as referenced by **130** in the FIGS. 2.a and 2.b, hosts a plurality of user accounts, each designated to an authorized capacity in which managed or personalized information is kept. Further, it is understood that the database **130** can be an independent storage or physically a part of the host server **128**. To access the personalized information therein from any computer on the Internet **104**, one has to provide an account entry, namely a rendezvous, to a user account in the host server **128** or database **130** with a set of credential information such as a username and a password. FIG. 2b illustrates a layout of a typical user account assigned with a mobile phone **106**. Each mobile phone is assigned to a device ID **140** which can be a phone number of the phone or a combination of an IP address and a port number, for example: 204.163.165.132: 01905; where 204.163.165.132 is the IP address, and 01905 is the port number. The device ID **140** is further associated with a subscriber number **142** authorized by a carrier in the link server **114** as part of the procedures to activate the phone **106**. The subscriber number may take the form, for example, of 861234567-10900 pn.mobile.att.net by AT&T WIRELESS SERVICE, it is a unique identification to the phone **106**. In other words, each of the mobile devices **122**, **124** and **126** of FIG. 2.a has a unique device ID that corresponds to a user account in a server. It may be appreciated by those skilled in the art that the link server **114** does not have to be a separate server to perform the communication protocol mapping, it can be a part of the host server **128** and the protocol mapping is part of the functions the host server **128** provides.

A corresponding account **144** in the database **130** is indexed by an account structure **143** comprising subscriber number **142**, user information **146**, a username **148** and a password **150**. Subscriber number **142** is received from the link server **114** as an index to the account structure **143**. The user information **146** comprises the account configuration and other account related information. The username **148** and the password **150**, namely, the user credential information, control the authentication to enter the account **144** in the database **130**. From the data network perspective, any computer can logon through HTTP to the rendezvous **152** identified by an address identifier, often a universal resource locator (URL) taking the form of www.xyz.com. In other words, each account in a database is exclusively associated with a rendezvous identified by a unique URL. As shown in the figure, the PC **110** establishes a communication session with the rendezvous **152** based on a given URL of the rendezvous **152**. However, to access the associated account **144** in the database **130**, the PC **110** must provide a set of a correct username and password to the rendezvous **152** that performs a verification thereof with the account structure **143**. If the supplied username and password match those in the account structure **143**, the access requested by the PC **110** is allowed. Otherwise, entry to the account **144** is denied.

The PC **110** can update information stored in the account **144** when the supplied username and password are verified.

Using the powerful and familiar HTML browser in the PC **110**, a user can key in frequently requested information, such as a list of stock symbols and a list of URLs of Web servers that provide services to the phone **106**. All the information entered through the PC **110** becomes immediately available to the phone **106**.

A process named `webpwd.cpp` in the code listing in the appended Microfiche Appendix A illustrates a provisioning process between the phone **106** and the link server **114** in one embodiment of the present invention. Upon the request of the phone **106**, the process, specifically in a subprocess called `setNameAndPasswordState()`, allows the phone **106** to supply a username and a password and then send the newly supplied credential information to a second subprocess called `submitState()` that checks if the entered username and password are acceptable, namely the username and password should have a certain length and contain no spaces or unrecognized characters with respect to a general rule of being a username and password. If the username and password are not acceptable, the subprocess `submitState()` returns to the phone **106** with a corresponding message being either "You must enter a name" or "You must enter a password." Otherwise, the newly entered username and password are sent to another subprocess called `SetUserAuth()` in a process called `HTTPDBMSUserDB`. The subprocess `SetUserAuth()` updates the username and password in the account structure **143**, which immediately requires all subsequent logins to the rendezvous **152** with the newly supplied username and password. A subprocess `Authenticate()` examines a set of a username and password supplied by the PC **110** and compares the username and password from the PC **110** to the ones in the account structure **143**. If the comparison is successful, the subprocess `Authenticate()` returns a `AuthPass` flag that allows the PC **110** to access the account in the database. Otherwise, it returns a flag that denies the admission of the PC **110** to the account.

It should be noted that the communication between the phone **106** and the link server **114** is through the airnet **102** as shown in FIGS. **1** and **2.a**. Messages carrying proprietary information traveling in the air are not secure. To transact credential information over the open space to provision the rendezvous, a user must have an efficient, reliable and secured manner to conduct private communications with the link server. According to one embodiment of the present invention, an authenticated and secure session between the cellular phone **106** and the link server **114** must be in place before the cellular phone provisions the rendezvous through which the user accesses his/her account from other computers. It is necessary to refer to an architecture of a mobile phone before proceeding with the detailed description of creating the authenticated and secure communication between a user's phone (client) and a server. FIG. **3** is a block diagram of a typical GSM digital cellular phone **160**. Each of the hardware components in the cellular phone **160** is known to those skilled in the art and so the hardware components are not described in detail herein. Although the user interface of the phone **160** is not shown in detail in the figure, the phone **160** may be the mobile device **118** of FIG. **1**, having a LCD screen **116** and a key pad **118**. The screen **116** prompts a user to proceed with the keypad **118** with a sequence of key entries, and through the phone **160**, a user can interactively communicate with a server through the airnet, link server and the Internet. According to one embodiment of the present invention, compiled and linked processes of the present invention are stored in ROM **162** as a client module **164** and support module **166**. Upon activation of a predetermined key sequence utilizing the keypad **118**, a physical layer processor

or microcontroller **610** initiates a session communication to the server using the module **164** in the ROM **162**.

To establish a secured communication between a cellular phone (a client) and a server, an authentication process must be conducted first to ensure that only interested parties are actually in the communication therebetween. According to one embodiment of the present invention, the code listing thereof being provided in the appended Microfiche Appendix, the process is complete through two rounds of independent authentication, one being the client authenticated by the server, referred to as client authentication, and the other being the server authenticated by the client, referred to as server authentication. Further, each authentication is completed in two separate steps for a high grade of security, which will be described in detail below. The success of the mutual authentication processes provisions and evidences that the two communicating parties possess a valid shared secret encrypt key through a mutual decryption and a challenge/response mechanism. The mutual decryption mechanism comprises the steps of mutually recovering encrypted messages from two involved communicating parties. The challenge/response mechanism, referred to as nonce verification, verifies a predetermined relationship between a sent nonce and a received derivative thereof.

In one preferred embodiment of the present invention, the authentication process is conducted with three message exchanges; a Session Request (SR) **174**, a Session Reply (SP) **176**, and a Session Complete (SC) **178**. FIG. **4** illustrates a schematic representation of the authentication process. Representing a mobile device or the cellular phone **106** of FIG. **1**, the client **170** conducts a transaction with the server **172**, such as the link server **114** of FIGS. **2a** and **2b**, and initiates a Session Request **174** to be sent to the server **172** by first creating a client proto-session. A client proto-session is a session data structure that is initialized when a session creation starts. The initialized Session Request **174** comprises the following essential information:

- sessionID—an identifier identifying all requests from the client to the server; in the case of requesting a session creation, sessionID is always assigned to 0;
- cipher—a two-byte number representing the choice of the encryption the client is currently using as there are a number of encryption schemes available in a communication protocol;
- deviceID—a variable up to 255-bytes, representing the device identifier or the client identifier, comprising a phone number of the device or an IP address and a port number, e.g., 204.163.165.132:01905;
- C-nonce—a client nonce represented with a non-repeatable number, usually 2 bytes, used for the client to conduct a following server authentication; and
- C-nonceModified—a modified version of the client nonce, used for the server to conduct a nonce verification in the following client authentication.

Further, the cipher in the Session Request **174** includes an identifier to an encryption algorithm and associated parameters thereof. To be more specific, the first byte in the cipher represents an identifier to a combination of the encryption algorithm, the key size (e.g., 128-bit for the U.S. or 40-bit for foreign countries) and content of a security attachment thereto; and the second byte in the cipher indicates the additional parameters related to the first byte. For example, value 1 in the first byte indicates that the encryption algorithm is block cipher RC5, the key size thereof is 128 bit, a two byte check-sum therein is used as the MAC (Message Authentication Code), no IV (Initialization Vector for block ciphers) therefor is transmitted over the network, and padding bytes

are added if necessary. The block cipher algorithm RC5 is part of the RSA's BSAFE product. It can be further appreciated that the identifier in the cipher may be assigned to a unique value to identify a non-secure session if so desired. The C-nonce is a non-repeatable number initially and randomly generated in the client and the modified version thereof; C-nonceModified is generated from the C-nonce through an operational relationship. For example, the Exclusive-OR relationship or expressed as follows:

$$C\text{-nonceModified} = 2\text{-byte-number} \oplus C\text{-nonce.}$$

It can be appreciated by those who are skilled in the art that there are many ways to get the C-nonceModified from a C-nonce, the Exclusive-OR is one of the operational relationships used in one embodiment of the present invention. Both C-nonce and C-nonceModified are encrypted using the shared secret encrypt key between the client 170 and the server 172. The purpose of the C-nonceModified is to provide the server that receives the Session Request with means for ensuring that C-nonce is correctly decrypted and validated by examining the C-nonce and its relationship with the C-nonceModified. Both should not be altered after a successful decryption of the C-nonce and the C-nonceModified. In other words, a Session Request message or signal may be expressed as follows:

$$SR = \{\text{session ID, cipher, device ID, Encry}[\text{nonce, nonceModified}]\};$$

where Encry[] means that the parameters or contents in the bracket are encrypted accordingly. When the Session Request is sent by the client to the server to request a session creation, both C-nonce and C-nonceModified are encrypted according to the cipher the client is using at the time the Session Request is sent out.

Upon receiving the Session Request from the client 170, the server 172 creates a server proto-session for the client 170 with a session identifier, referred to as session ID, to identify the session context for the session just created in the server 172. A server proto-session is a session entry marked as a proto status in a session table, which indicates that the session is not authenticated and is not able to conduct any transactions with the client. It is understood to those skilled in the art that the proto-session can be kept in the RAM of the server. If a proto-session already exists for that client, it is re-used. The information in the received Session Request is saved in the server proto-session. If the server 172 is satisfied with the fact that the client is known, namely Encry[C-nonce, C-nonceModified] in the received Session Request are successfully decrypted with the shared secret encrypt key, step one in the client authentication process is successful and a corresponding session key is generated and stored with the server proto-session entry. It may be noted herein that many encryption schemes used in this invention, such as the scheme utilizing RC5, have a procedure that adds and validates the Message Authentication Code, such as the check-sum, to assure that the encrypted message is correctly decrypted. The procedure, every time the decryption takes place, is used herein to examine the transaction integrity, namely to ensure the received messages or signals are unaltered in the cause of data transmission. If step one in the client authentication is not successful, namely, if Encry[C-nonce, C-nonceModified] in the received Session Request are not fully decrypted or supported, the proto-session is aborted and removed from the proto session table, resulting in a failed session creation. What the support means herein is the cipher proposed or used by the client is also used by the server, for example, the client uses the RC5 encryption to encrypt Encry[C-nonce, C-nonce-

ceModified]; to decrypt to Encry[C-nonce, C-nonceModified], the server must be equipped with the same RC5 encryption capability therein. If Encry[C-nonce, C-nonceModified] can not be successfully decrypted due to other reasons such as transmission errors, the client must reinitiate a new session request to the server in order to establish a secure communication with the server. To challenge step two of server authentication subsequently at the client side, a derivative of the client nonce or C-nonce is generated therefor. In one embodiment of the present invention, the derivative is created by adding a constant to the client nonce, for example, derivative=C-nonce+1. The purpose of the derivative is to provide the client with means for reassuring that the C-nonce is correctly decrypted by the server and the server is the correct server with which the client should be in communication.

Right after the successful step one client authentication, the server 172 responds to the client with a Session Reply (SP) 176 to begin a second round of authentication; server authentication. The Session Reply 176 comprises the following information:

C-SID—a one byte number indicates the sessionID originally assigned in the client, to be more specific, C-SID=0 indicates a clear text client session, C-SID=1 indicates a shared secret key encrypted session, and C-SID=2 indicates a session key encrypted session. In the context of the current description, C-SID=1;
 sessionID—a four-byte number representing an identification and parameters, such as a session encrypt key, of the session created by the server for the client;
 key—a session key to be used with a mutually acceptable encryption, and to be used for encryption and decryption in all transactions in the session;
 derivative—a number derived from the C-nonce for the client to perform the subsequent server authentication;
 S-nonce—a non-repeatable number, used for the server to conduct a following step-two client authentication; it should be noted that S-nonce is generated by the server and generally different from the C-nonce by the client; and
 cipher—a two-byte number representing the choice of the encryption the server proposes after the client proposed cipher is received. It may or may not be the same as the one used in the client. To be more specific, the cipher is the same as the one proposed by the client when the server supports the client proposed cipher, otherwise the cipher is the one currently used in the server.

In other words, the Session Reply can be expressed as follows.

$$SP = \{C\text{-SID, Encry}[\text{sessionID, key, S-nonce, derivative, cipher}]\}$$

When the client 170 receives the Session Reply 176 from the server 172, it performs the step one server authentication, which is considered successful if Encry[sessionID, key, S-nonce, derivative, cipher] in the received Session Reply 176 is decrypted successfully with the shared encrypt key. If the step one server authentication fails, the client 170 discards the Session Reply 176 and a new session creation may be started over again. Upon the success of the step one server authentication, the client 170 proceeds with the step two server authentication; namely, the predetermined relationship between the C-nonce and the derivative thereof should be held for a successful step-two server authentication.

$$C\text{-nonce} = \text{derivative} - 1$$

If the C-nonce derived from the Session Reply 176 is the same as the C-nonce originally generated by the client, the

step two server authentication is successful; hence, the server **172** is considered authenticated, trusted from the viewpoint of the client, and the Session Reply **176** is accepted as a valid message, which means that the client **170** then uses the session key and other information in the Session Reply **176** for the session being created. Only after completing both steps of the server authentication successfully, the client **170** marks the session as committed, which means that transactions can be conducted subsequently in the session, again only from the viewpoint of the client **170**. If the predetermined relationship between the client nonce and the derivative thereof does not hold, the step two server authentication fails and the received Session Reply **176** is discarded. The client **170** may abort the session creation process if no further Session Replies are received and pass both steps of the server authentication process during the time period allowed for a session creation. To provide the server with means for reassuring the client authentication by itself through the client, a derivative of the S-nonce, similar to the derivative of the C-nonce, is generated.

The client **170** then sends the server **172** a Session Complete (SC) **178** to complete the session creation process. The Session Complete **178** comprises the following information:

SC={Encry[derivative]};

where the derivative is the client's response to the server nonce challenge, namely the result of the verification. The derivative is used by the server **172** for step two client authentication. Further, it is noted that the Session Complete **178** is an encrypted message, meaning that the client encrypts the information in the Session Complete **178** according to either its own cipher or the server proposed cipher. Generally the client **170** encrypts the information in the Session Complete **178** according to the server proposed cipher if it accepts the server proposed cipher, otherwise, it encrypts the Session Complete according to its own cipher.

Upon receipt of the Session Complete **178**, the server **172** tests if the client **170** uses its own proposed cipher or the server proposed cipher by decrypting the Session Complete twice using the two ciphers if necessary. If the server **172** decrypts the encrypted message in the Session Complete **178** and verifies the relationship thereof with the S-nonce, the step two client authentication is considered successful. Subsequently, the server **172** promotes the server proto-session to the active session and the session creation process is completed, thereby an authenticated and secure communication session is established between the client and the server. Any transactions in the established communications session are now encrypted by the session key created in the server according to a cipher mutually agreed to by both the client and the server, thereby the transactions between the client and the server are truly proprietary. A code listing of one embodiment of the mutual authentication is listed in U.S. Pat. No. 6,233,608.

Referring now to FIGS. **5.a** and **5b**, each illustrates a flowchart showing the processes of the present invention in each involved device, respectively, in conjunction with FIGS. **6**, **7**, **8**, **9** and **10** demonstrating examples of personalizing a user account being accessed through a self-provisioned rendezvous. A client **200**, which can be a cellular phone, in FIG. **5.a** is one of the mobile devices communicating with a server **250** in FIG. **5.b** through a data network similar to those illustrated in FIG. **1** or FIGS. **2.a** and **2.b**. It should be noted that the server **250** functions as a link server and a host server. The functional flowcharts on the client and server sides are jointly described in the following with respect to a cellular phone. Nevertheless, it will be appreciated by those skilled in

the art that a server, without reciting specifically a link server or a host server, as referenced by **250** can perform similar functions, this becomes evident when the client is a landline device having direct communication to the Internet.

As part of the procedures to activate a cellular phone, a user account, or sometimes called a device account, is created in the server **250**, the account is exclusively associated with the phone or client **200**. In other words, each mobile device in the data network has its own account identified by a corresponding device ID and subsequently a subscriber number in the server **250**. The account for the client **200** is therefore created and configured at **252** according to services subscribed by the client **200**. Meanwhile a corresponding account structure, similar to **143** in FIG. **2b**, is initiated at **254**. With an established account in the server **250**, the client **200** becomes one of the clients capable of communicating with any computers in a data network.

When a user desires to update his personalized information in his account, he needs to first self-provision the rendezvous associated with his account using the client **200**. As is shown in FIG. **5a**, the phone therefore requests a communication session to the server **250** at **202** for subsequent transactions to take place in an authenticated and secure communication session. From the session creation described above, it can be appreciated that the session creation requested by the client **200** includes a piece of device information assigned to the client **200**. The device information is sent **204** to the host where a determination is made **206** whether the device information is recognized. If the device information is not recognized by the contacting host **250**, no communication session can be possibly established therefor.

Meanwhile, as shown in FIG. **5.b**, the host **250** receives the session request **258** from the client **200** as part of the session creation process. The device information is received at **260** and the session creation process proceeds when the device information is verified at **262**, which means that the device **200** has an authorized account therein. At **208** and **264** a mutual authentication process between the client **200** and server **250** takes place. As described above, the mutual authentication process comprises a client authentication and a server authentication, each further comprising two steps to ensure that the communicating party is authenticated. Resulting from the mutual authentication process or once the session is created and established at **210** and **266** of the client **200** and the server **250**, respectively, a set of session credential information is generated. The session credential information comprises a session ID, a session key and a session cipher. The session ID is used to distinguish the session from other sessions that the host is creating or has already established with other mobile devices or clients, and the session key and the session cipher are to encrypt transactions between the client **200** and the server **250**. At **212**, the client **200** has acknowledged that there is a rendezvous associated with the account designated to the client **200**. If the user desires to update his personalized information in the account created and authorized in the server **250**, he may proceed at **214** with the rendezvous that is generally identified by a URL provided by the host **250** and is subsequently prompted for a set of user credential information, such as a username and a password. At **216**, the user credential information is entered. The credential information is then sent to the server **250** at **218**, which includes a process of ensuring the newly supplied username and password satisfy a general rule of being a username and a password. The username/password ensuring process has been discussed above and the code listing thereof is in U.S. Pat. No. 6,233,608.

Meanwhile, as is shown in FIG. 5b, the host 250 has acknowledged that the client 200 is about to receive a set of new user credential information and expects it therefrom at 268. As soon as the new user credential information has arrived, the server 250 updates the user credential information associated with the rendezvous at 270. In other words, to pass through the rendezvous to the user account now by other devices, the new credential information must be provided.

With the newly updated user credential information, the user can now log onto the rendezvous from any computer in the data network. A PC connected to the data network (not shown), is equipped with a familiar HTML-based browser. As an example, it is assumed that a user has just provisioned a rendezvous with a username being "marylee" and the corresponding password being "123456". The user now goes to a networked PC that runs a browser and logs onto the rendezvous based on the URL of the rendezvous. FIG. 6 shows an interactive web page 300 received from the server after the PC makes the connection to the rendezvous. It is understood to those skilled in the art that the page and subsequent pages can be constructed with HTML along with CGI script/Java applets, where the process, "CGI" stands for Common Gateway Interface, to receive information entered from a user. To update his personalized information in his account, the user must provide the newly created username and password required at 302 and 304, respectively. It should be noted that the password entered is generally not echoed at 304 and instead indicated with an asterisk corresponding to each letter entered. When the login icon 306 is activated, the entered username and password are retrieved and sent, through the network, to the server in which the entered username and password are verified; namely, the entered username and password match those entered and authorized by the user through the client. The user is then prompted with a second web page 310, shown in FIG. 7, in which the username is displayed as referenced by 312. To categorize personalized information in the account, the web page 310 comprises entries to other specific service pages, such as a Personal Organizer 314, Bookmarks 316 and Create Message 318. All these pages are accessible by the user to personalize his desired information therein. FIG. 8, for example, is a page 326 of the Personal Organizer 314 showing a personalized address book 320 that allows the user to edit his frequently contacted people's phone numbers and other information. FIG. 9 is a page 328 of the Bookmarks 316 showing personalized bookmarks 321 that allows the user to establish a list of web sites he may frequently visit through his cellular client. For example, StockTIPS referenced by 322 allows the user to keep a list of stock symbols there. With the personalized bookmarks, the user, when on the go, can quickly enter into the web pages in his list related to stock to find the prices thereof currently being traded in the stock market without keying in any symbols at all. As a convenient feature, a page 330 in FIG. 10 allows the user to create an email message and be replied to at a different address 332 as decided by the user, which eliminates the inconvenience of typing a lengthy message through a phone keypad and reading a replied message at the small screen in the client.

The contents in the exemplary pages shown in FIGS. 6, 7, 8, 9 and 10 composed by HTML are accessible by an HDML browser through a server providing communication protocol mapping and markup language translation functions. Similarly, information or messages entered on the client composed by HDML are equally accessible by any computer equipped with an HTML browser through the same server in the data network. The duality of the information updating through two different mark-up languages provides a useful means for effi-

ciently managing a personal account and substantially solves the problems of inconvenient data entry through a less functional keypad.

The present invention has been described in sufficient detail with a certain degree of particularity. It is understood to those skilled in the art that the present disclosure of embodiments has been made by way of example only and that numerous changes in the arrangement and combination of parts as well as steps may be resorted to without departing from the spirit and scope of the invention as claimed. For example, any mobile devices equipped with a micro browser, e.g., HDML browser, may be connected, using an adapter, to the Internet directly without going through the airnet. The emerging Internet-enabled electronic appliances are also Internet-connected, all have limited computing power and keypads but are capable of communicating with a server in a data network. The mutual authentication between such devices and the server thus becomes less complicated. The mutual authentication needs a process of having the client, such as a controller of the electronic appliance, authenticated by the server and having the server authenticated by the client. The process can be carried out in existing encryption mechanisms in HTTPS (an extended version of HTTP with built-in security), in which case, the link server could be replaced by a built-in capability in the device, or the HTTPS or the transceiver or somewhere in the connection to the Internet. The principles of the present invention may still be practiced in such configuration. Accordingly, the scope of the present invention is defined by the appended claims rather than the foregoing description of one embodiment.

What is claimed is:

1. A method for accessing data contained in a data network system, comprising:
 - receiving a request from a mobile device through a wireless data network to access the data, the data being associated with an account for the mobile device and the mobile device having a display screen, wherein the data is accessible by a computing device remotely located and coupled to a data network selected from a group consisting of the Internet, a private network and a network of public and private networks;
 - retrieving the data after the request is authenticated with respect to the account; and
 - forwarding the data to the mobile device in a first format displayable on the display screen of the mobile device.
2. The method of claim 1, further comprising:
 - prompting the computing device for credential information when the computing device attempts to access the data; and
 - providing access to the data in a second format after the credential information is verified.
3. The method of claim 2, further comprising:
 - updating the data upon receiving updated information from the computing device.
4. The method of claim 1, wherein the first format is used to display the data on the mobile device and the second format is used to display the data on the computing device.
5. The method of claim 4, wherein the first format is a first markup language and the second format is a second markup language.
6. The method of claim 1, wherein the data comprises a plurality of hyperlinks, and further, wherein the retrieving further comprises:
 - contacting a resource identified by the one of the hyperlinks over the data network;
 - fetching the data in a second format from the resource; and
 - converting the fetched data to the first format.

15

7. The method of claim 6, wherein the first format is a first markup and the second format is a second markup language.

8. The method of claim 1, wherein the data comprises data for configuring or reconfiguring a feature of the mobile device.

9. The method of claim 1, wherein the mobile device is a wireless telephone.

10. The method of claim 1, wherein the mobile device includes a processor, and further, wherein the processor controls a telephony function.

11. The method of claim 1, wherein the request includes an update to the data and causes the data to be updated.

12. *A method for accessing data contained in a data network system, comprising:*

receiving a request from a mobile device through a wireless data network to access the data, the data being associated with an account for the mobile device, the account being provisioned after the mobile device has been authenticated in accordance with a first authentication process between the mobile device and a server system that hosts the account, and the mobile device having a display screen, wherein the data is accessible by a computing device remotely located and coupled to a data network selected from a group consisting of the Internet, a private network and a network of public and private networks;

retrieving the data after the request is authenticated with respect to the account in accordance with a second authentication process different from the first authentication process; and

forwarding the data to the mobile device in a first format displayable on the display screen of the mobile device.

13. *A communications apparatus for accessing data contained in a data network system, the communications apparatus comprising:*

a server system, including at least one processor, configured for receiving a request from a wireless-communication user device through a wireless data network to access the data, the data being associated with an account for the wireless-communication user device, the account being provisioned after the wireless-communication user device has been authenticated in accordance with a first authentication process between the wireless-communication user device and the server system, and the wireless-communication device having a display screen, wherein the data is accessible by a computing device remotely located and coupled to a data network selected from a group consisting of the Internet, a private network and a network of public and private networks;

wherein the server system is configured to forward the data to the wireless-communication user device, in response to the data being retrieved after the request is authenticated in accordance with a second authentication process, in a first format displayable on the display screen of the wireless-communication user device, wherein the second authentication process is different from said first authentication process.

14. *A communications apparatus according to claim 13, wherein the first authentication process utilises an identifier associated with the wireless-communication user device.*

15. *A method according to claim 12, wherein the first authentication process utilises an identifier associated with the mobile device.*

16

16. *A communications apparatus according to claim 13, wherein the second authentication process utilises a username and password associated with a user of the remotely located computing device.*

17. *A method according to claim 12, wherein the second authentication process utilises a username and password associated with a user of the remotely located computing device.*

18. *A method for accessing data contained in a data network system, comprising:*

receiving a request from a mobile device through a wireless data network to access the data, the data being associated with an account for the mobile device, the account being provisioned after an authenticated session is established between the mobile device and a server system that hosts the account to form a provisioned account, and the mobile device having a display screen, wherein the data is accessible by a computing device remotely located and coupled to a data network selected from a group consisting of the Internet, a private network and a network of public and private networks;

retrieving the data after the request is authenticated with respect to the provisioned account; and

forwarding the data to the mobile device in a first format displayable on the display screen of the mobile device.

19. *A communications apparatus for accessing data contained in a data network system, the communications apparatus comprising:*

one or more servers, including at least one processor, configured for receiving a request from a wireless-communication user device through a wireless data network to access the data, the data being associated with an account for the wireless-communication user device, the account being provisioned after the wireless-communication user device has been authenticated by the one or more servers in accordance with a first authentication process between the wireless-communication user device and the one or more servers, and the wireless-communication device having a display screen, wherein the data is accessible by a computing device remotely located and coupled to a data network selected from a group consisting of the Internet, a private network and a network of public and private networks;

wherein the one or more servers is configured to forward the data to the wireless-communication user device, in response to the data being retrieved after the request is authenticated by the one or more servers in accordance with a second authentication process, in a first format displayable on the display screen of the wireless-communication user device, wherein the second authentication process is different from said first authentication process.

20. *A communications apparatus according to claim 19, wherein the first authentication process conducted by the one or more servers utilises an identifier associated with the wireless-communication user device.*

21. *A communications apparatus according to claim 19, wherein the second authentication process conducted by the one or more servers utilises a username and password associated with a user of the remotely located computing device.*

UNITED STATES PATENT AND TRADEMARK OFFICE
CERTIFICATE OF CORRECTION

PATENT NO. : RE45,039 E
APPLICATION NO. : 12/700369
DATED : July 22, 2014
INVENTOR(S) : Andrew L. Laursen et al.

Page 1 of 1

It is certified that error appears in the above-identified patent and that said Letters Patent is hereby corrected as shown below:

In the Specification

Column 1, lines 14-23:

“This application is a divisional application of U.S. application Ser. No. 09/410,859, filed on Oct. 1, 1999 now U.S. Pat. No. 6,895,234, entitled “Method and Apparatus for Accessing a Common Database from a Mobile Device and a Computing Device,” which is a continuation of prior application Ser. No. 08/987,346, filed on Dec. 9, 1997, entitled “Method and Architecture for Self-Provisioning a Rendezvous to Ensure Secure Access to Information in a Database from Multiple Devices,” now U.S. Pat. No. 6,065,120, which is hereby incorporated herein by reference.”

should read

-- More than one reissue application has been filed for the reissue of U.S. Patent No. 7,328,030. Reissue application Ser. No. 14/336,557, filed Jul. 21, 2014, is a continuation reissue application of the present reissue application Ser. No. 12/700,369, filed Feb. 4, 2010, now U.S. Reissue Patent No. RE45,039, which is a reissue application of application Ser. No. 10/870,852, filed Jun. 16, 2004, now U.S. Patent No. 7,328,030, which is a divisional application of application Ser. No. 09/410,859, filed Oct. 1, 1999, now U.S. Pat. No. 6,895,234, which is a continuation of application Ser. No. 08/987,346, filed Dec. 9, 1997, now U.S. Pat. No. 6,065,120, which is hereby incorporated herein by reference.” --

Signed and Sealed this
Fourteenth Day of April, 2015



Michelle K. Lee
Director of the United States Patent and Trademark Office