



US00RE44992E

(19) **United States**  
(12) **Reissued Patent**  
**Fenster**

(10) **Patent Number:** **US RE44,992 E**  
(45) **Date of Reissued Patent:** **Jul. 8, 2014**

(54) **EXERCISE APPARATUS**  
(75) Inventor: **Mrako A. Fenster**, Madison, WI (US)  
(73) Assignee: **Johnson Health Tech Co., Ltd.**,  
Taichung (TW)  
(21) Appl. No.: **29/398,219**  
(22) Filed: **Jul. 28, 2011**

6,254,516 B1 \* 7/2001 Giannelli et al. .... 482/100  
6,409,637 B1 \* 6/2002 Webber et al. .... 482/99  
D491,238 S \* 6/2004 Giannelli et al. .... D21/676  
D493,454 S \* 7/2004 Andre et al. .... D14/336  
D493,854 S \* 8/2004 Grider ..... D21/694

(Continued)

*Primary Examiner* — Phillip S Hyder

(57) **CLAIM**

The ornamental design for a exercise apparatus, as shown and described.

**Related U.S. Patent Documents**

Reissue of:

(64) Patent No.: **Des. 613,350**  
Issued: **Apr. 6, 2010**  
Appl. No.: **29/342,347**  
Filed: **Aug. 24, 2009**

U.S. Applications:

(63) Continuation-in-part of application No. 29/314,057,  
filed on Mar. 3, 2009, now Pat. No. Des. 612,437.

(51) **LOC (10) Cl.** ..... **21-02**

(52) **U.S. Cl.**  
USPC ..... **D21/675**

(58) **Field of Classification Search**  
USPC ..... D21/662, 670, 671, 672, 673, 674, 675,  
D21/676, 677, 686, 688, 689, 690, 691, 694,  
D21/697; 482/51, 52, 57, 58, 59, 61-65, 70,  
482/97, 99, 100

See application file for complete search history.

(56) **References Cited**

**U.S. PATENT DOCUMENTS**

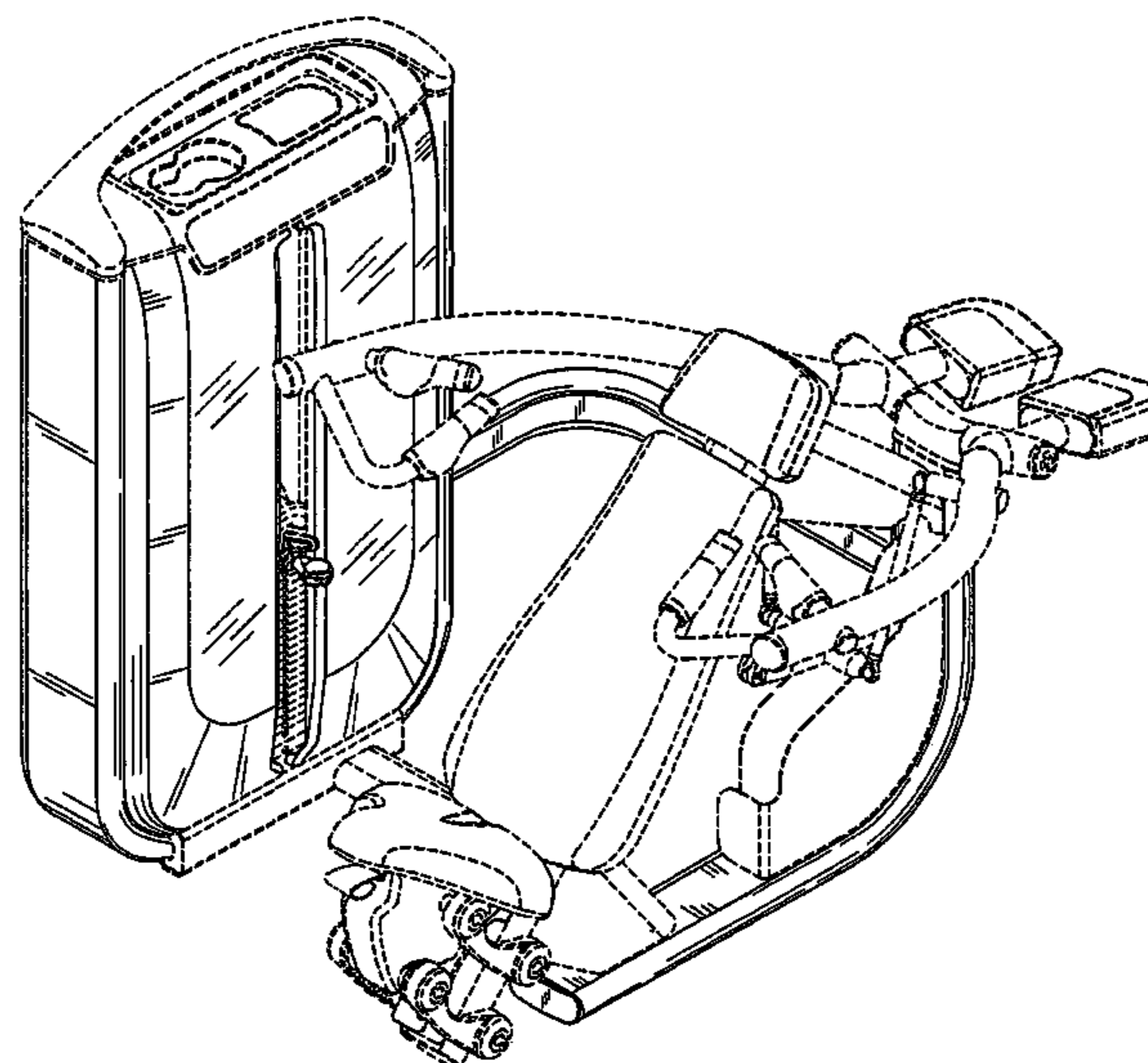
5,643,152 A \* 7/1997 Simonson ..... 482/100  
5,667,464 A \* 9/1997 Simonson ..... 482/97  
6,071,216 A \* 6/2000 Giannelli et al. .... 482/100  
6,142,917 A \* 11/2000 Giannelli et al. .... 482/100  
6,152,864 A \* 11/2000 Giannelli et al. .... 482/100

**DESCRIPTION**

[FIG. 1 is a perspective view of the exercise apparatus;]  
[FIG. 2 is a front elevational view of the exercise apparatus;]  
[FIG. 3 is a rear elevational view of the exercise apparatus;]  
[FIG. 4 is a left side elevational view of the exercise apparatus;]  
[FIG. 5 is a right side elevational view of the exercise apparatus; and,]  
[FIG. 6 is a top plan view of the exercise apparatus.]  
*FIG. 7 is a perspective view of the exercise apparatus;*  
*FIG. 8 is a front elevational view of the exercise apparatus;*  
*FIG. 9 is a rear elevational view of the exercise apparatus;*  
*FIG. 10 is a left side elevational view of the exercise apparatus;*  
*FIG. 11 is a right side elevational view of the exercise apparatus; and,*  
*FIG. 12 is a top plan view of the exercise apparatus.*  
The broken lines in the drawings depict unclaimed environmental subject matter.

**1 Claim, 12 Drawing Sheets**

**Matter enclosed in heavy brackets [ ] appears in the original patent but forms no part of this reissue; matter printed in italics indicates the additions made by reissue.**



(NEW)

# US RE44,992 E

Page 2

---

(56)

## References Cited

### U.S. PATENT DOCUMENTS

D574,449 S *	8/2008	Webber et al. ....	D21/675
2003/0092543 A1 *	5/2003	Giannelli .....	482/100
2004/0005967 A1 *	1/2004	Panatta .....	482/100
D516,144 S *	2/2006	Panatta .....	D21/676

\* cited by examiner

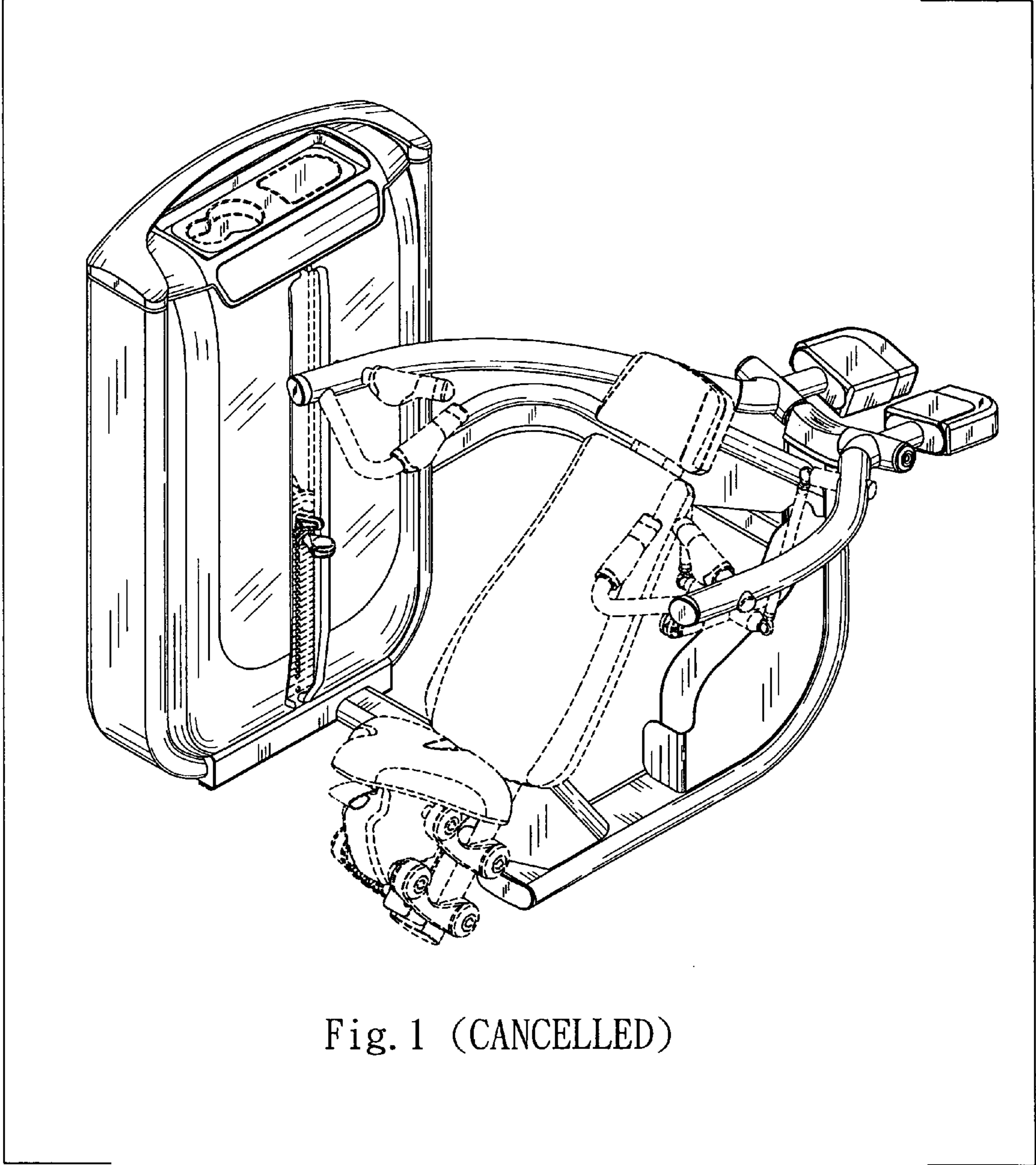


Fig. 1 (CANCELLED)

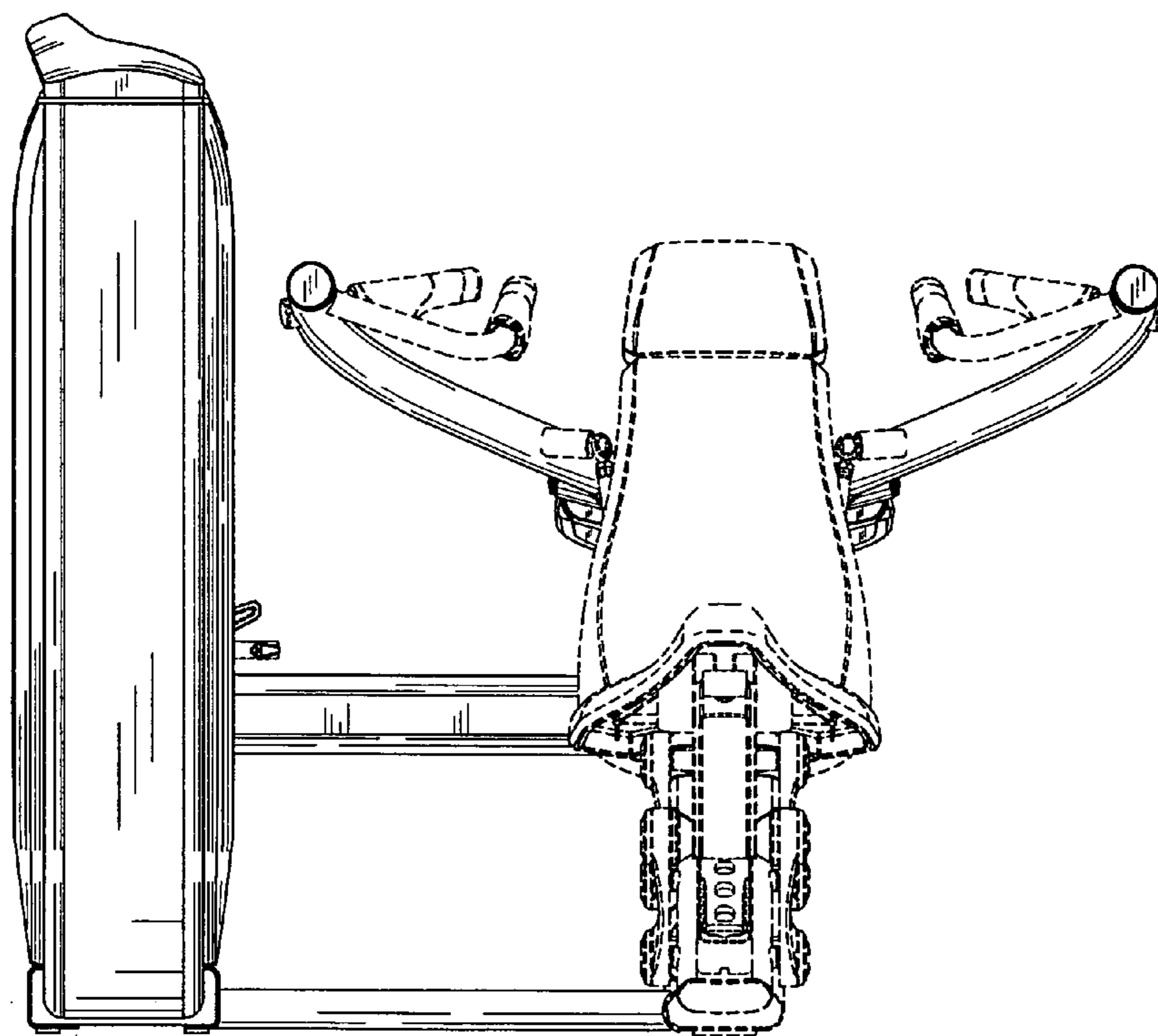


Fig. 2 (CANCELLED)

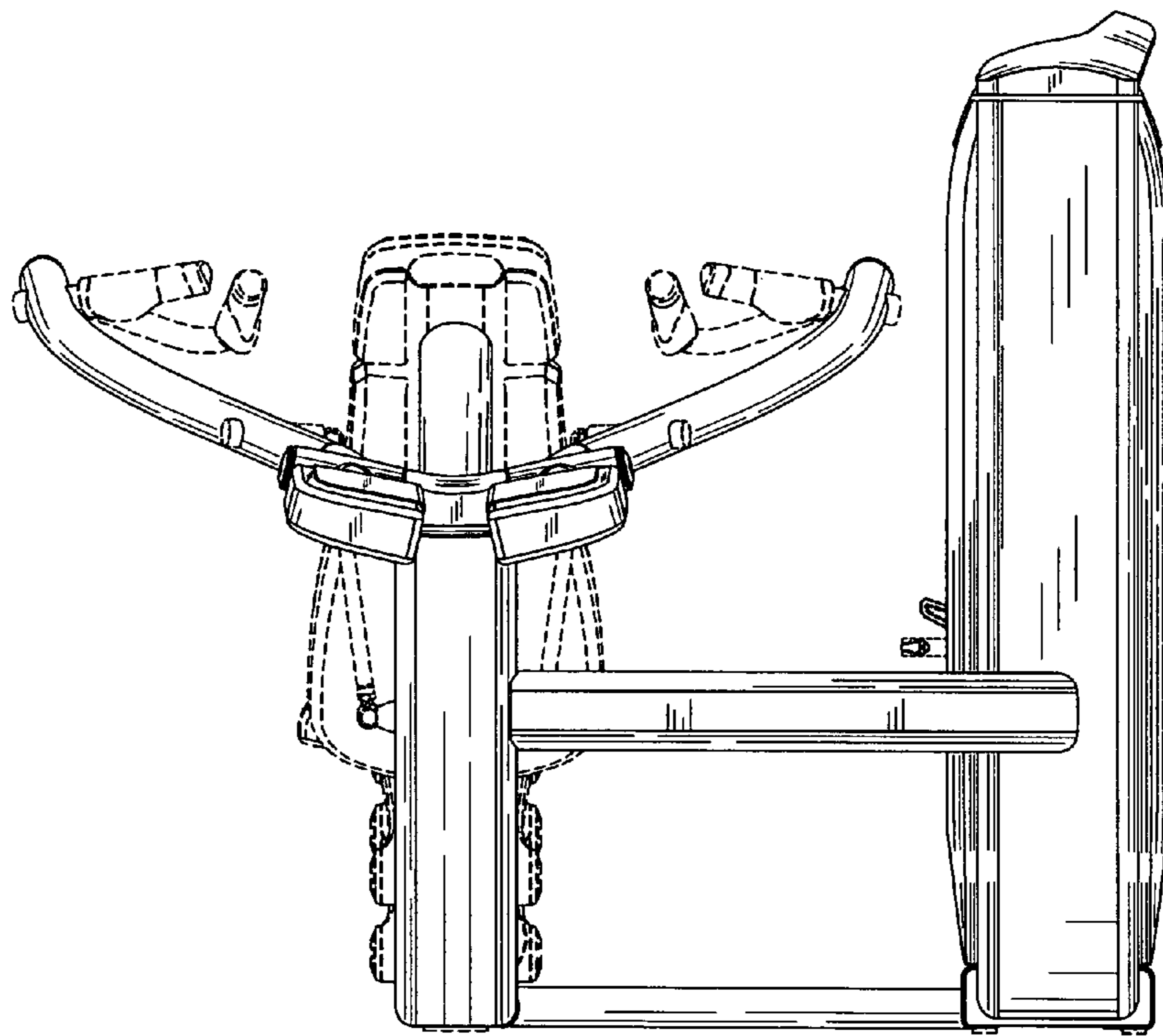


Fig. 3 (CANCELLED)



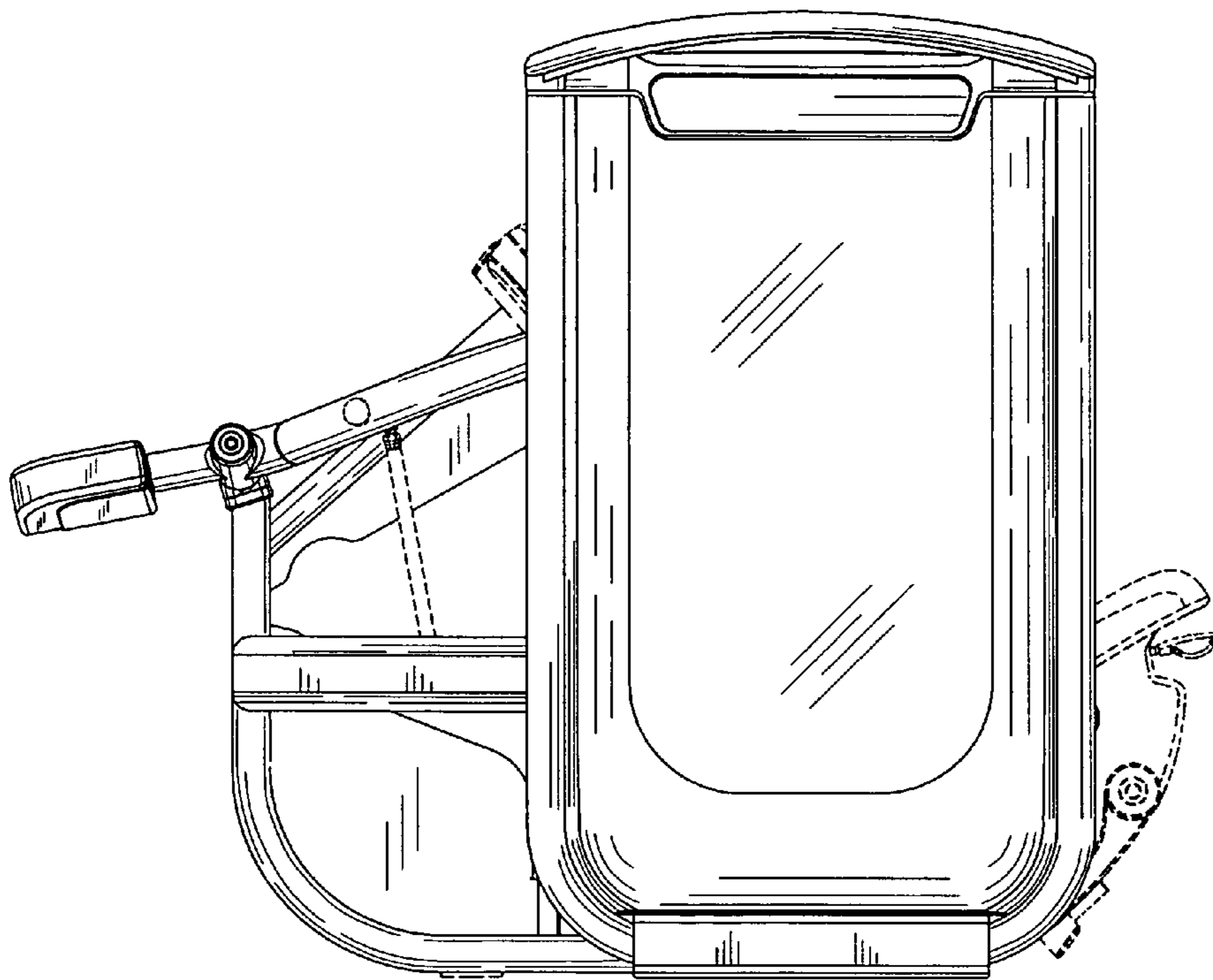


Fig. 4 (CANCELLED)

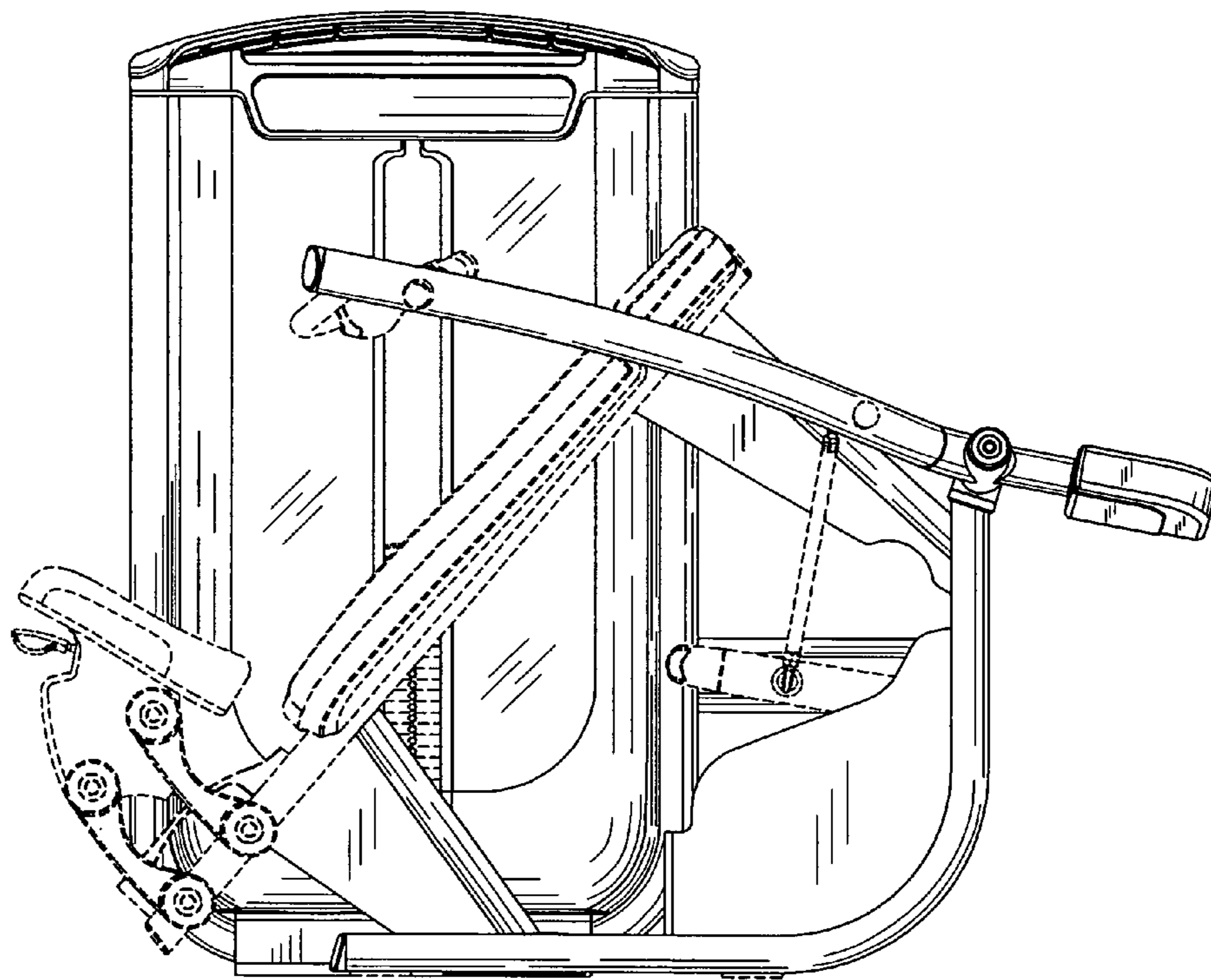


Fig. 5 (CANCELLED)

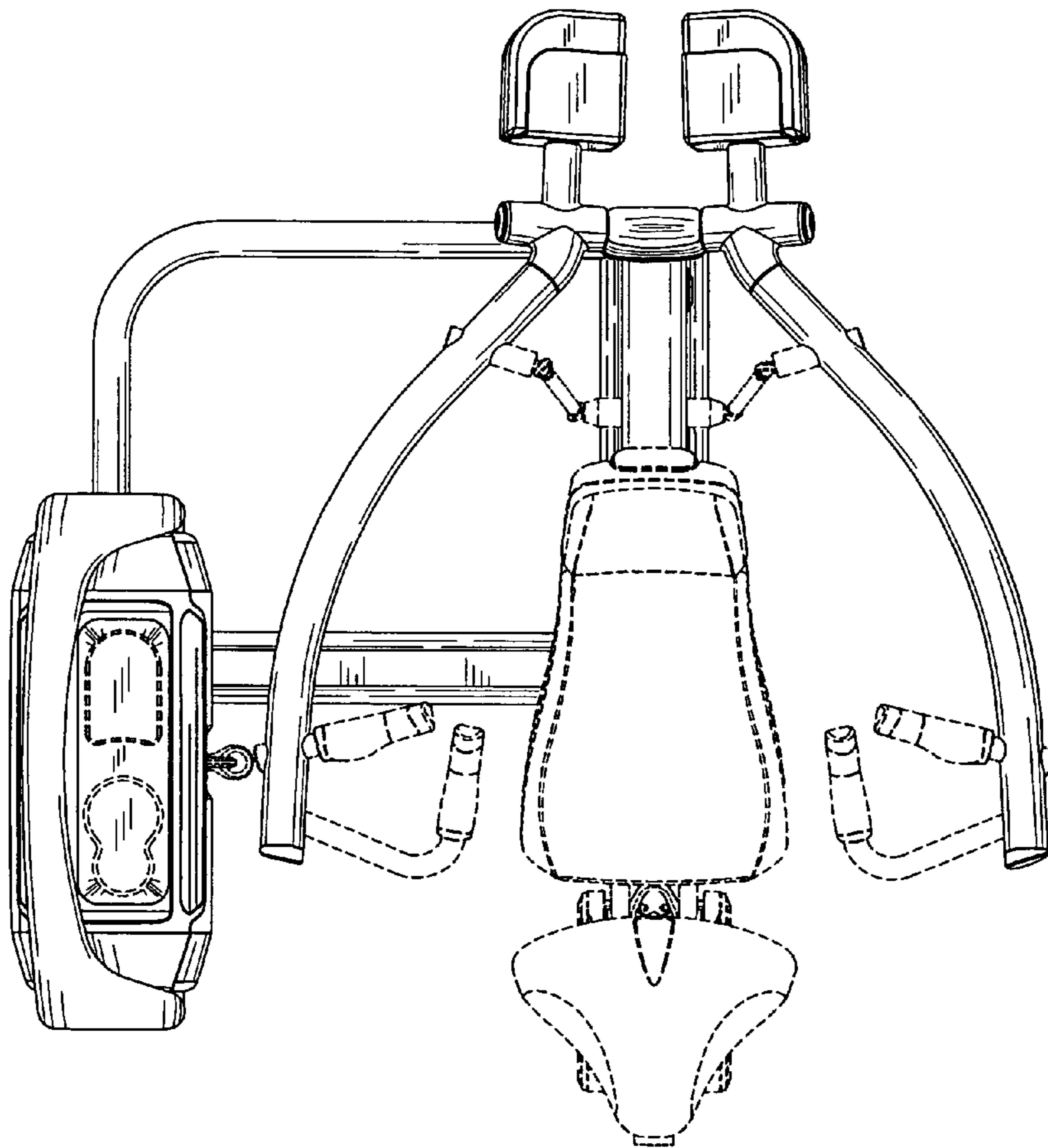


Fig. 6 (CANCELLED)



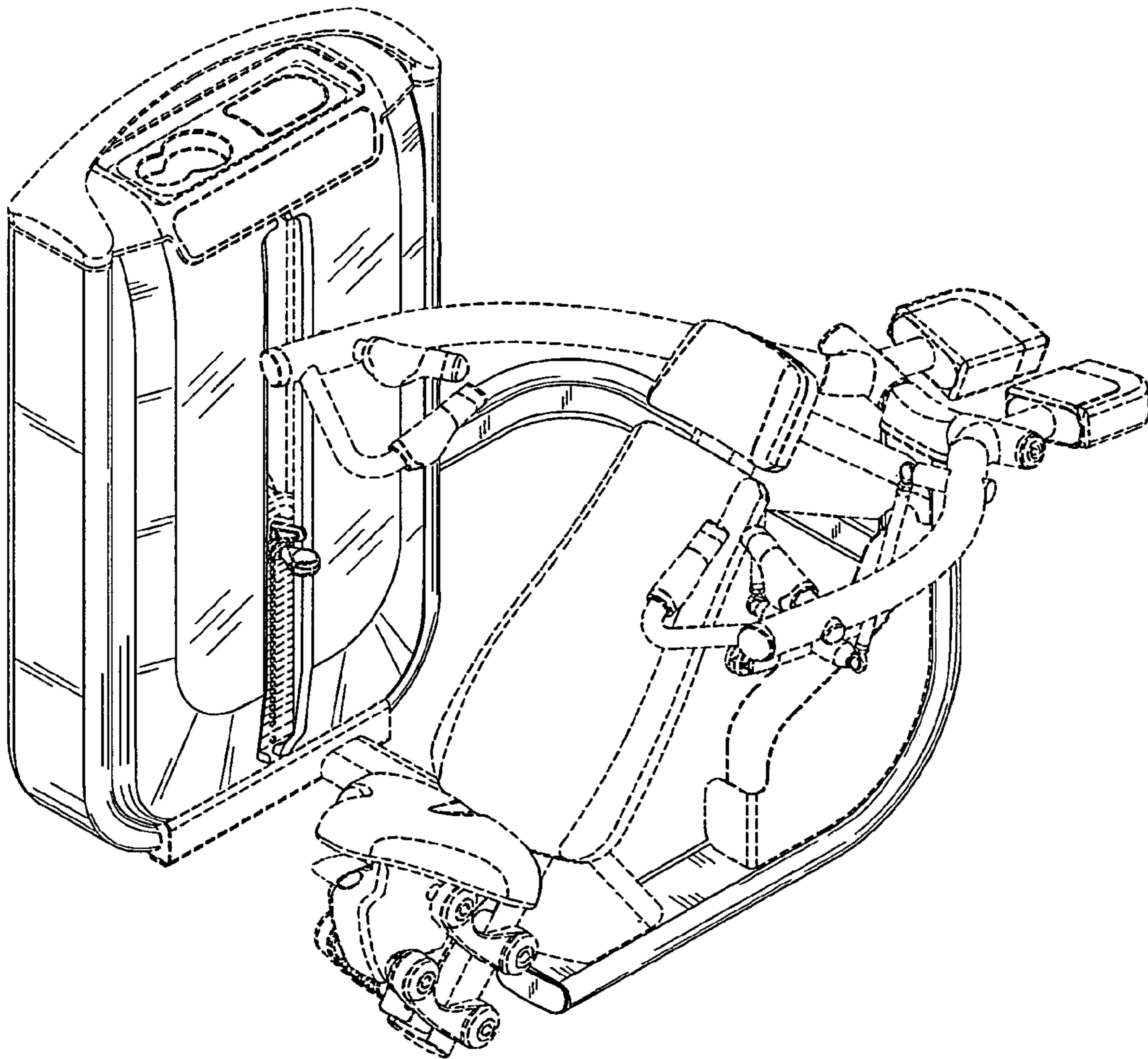


Fig. 7 (NEW)

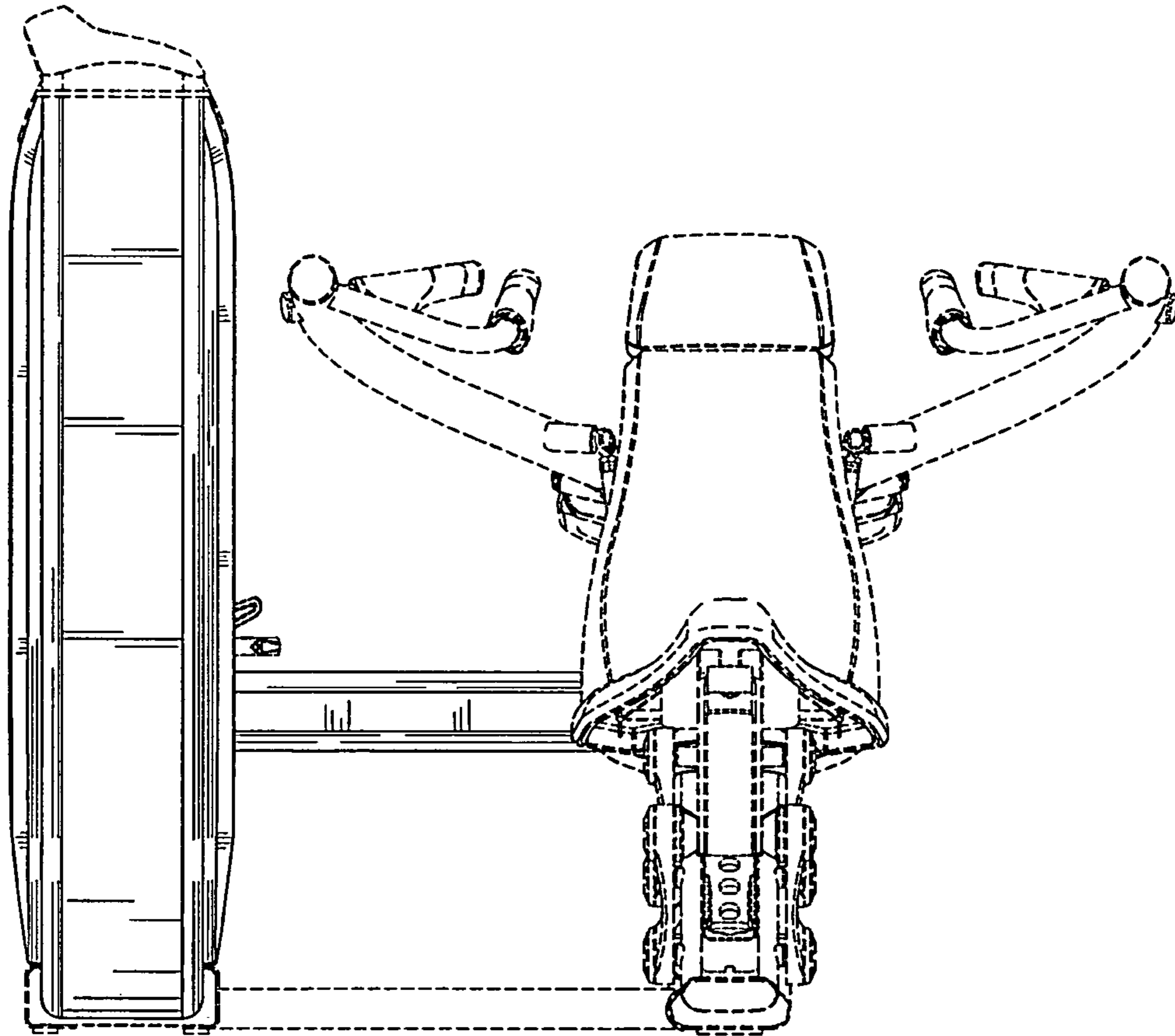


Fig. 8 (NEW)

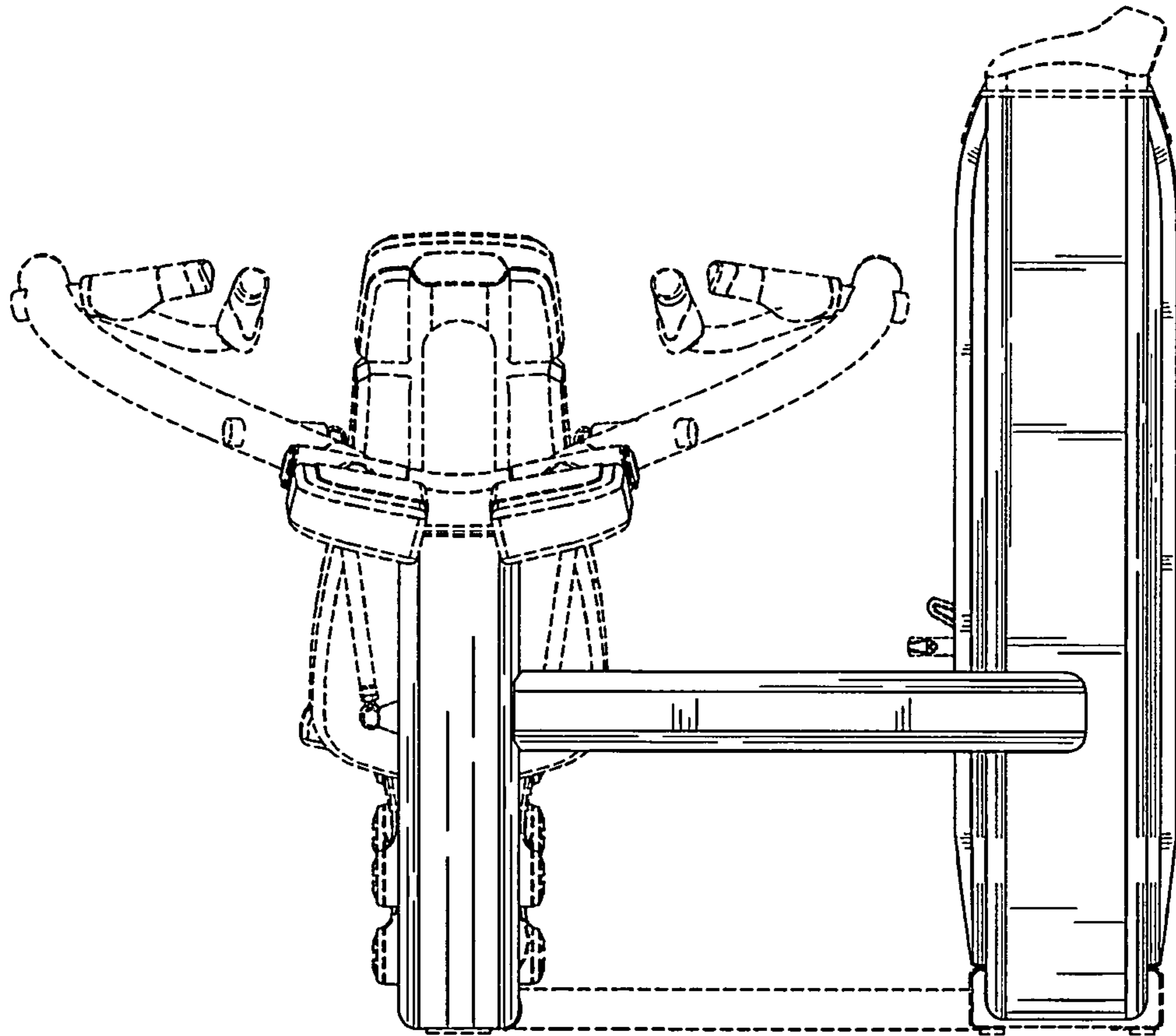


Fig. 9 (NEW)

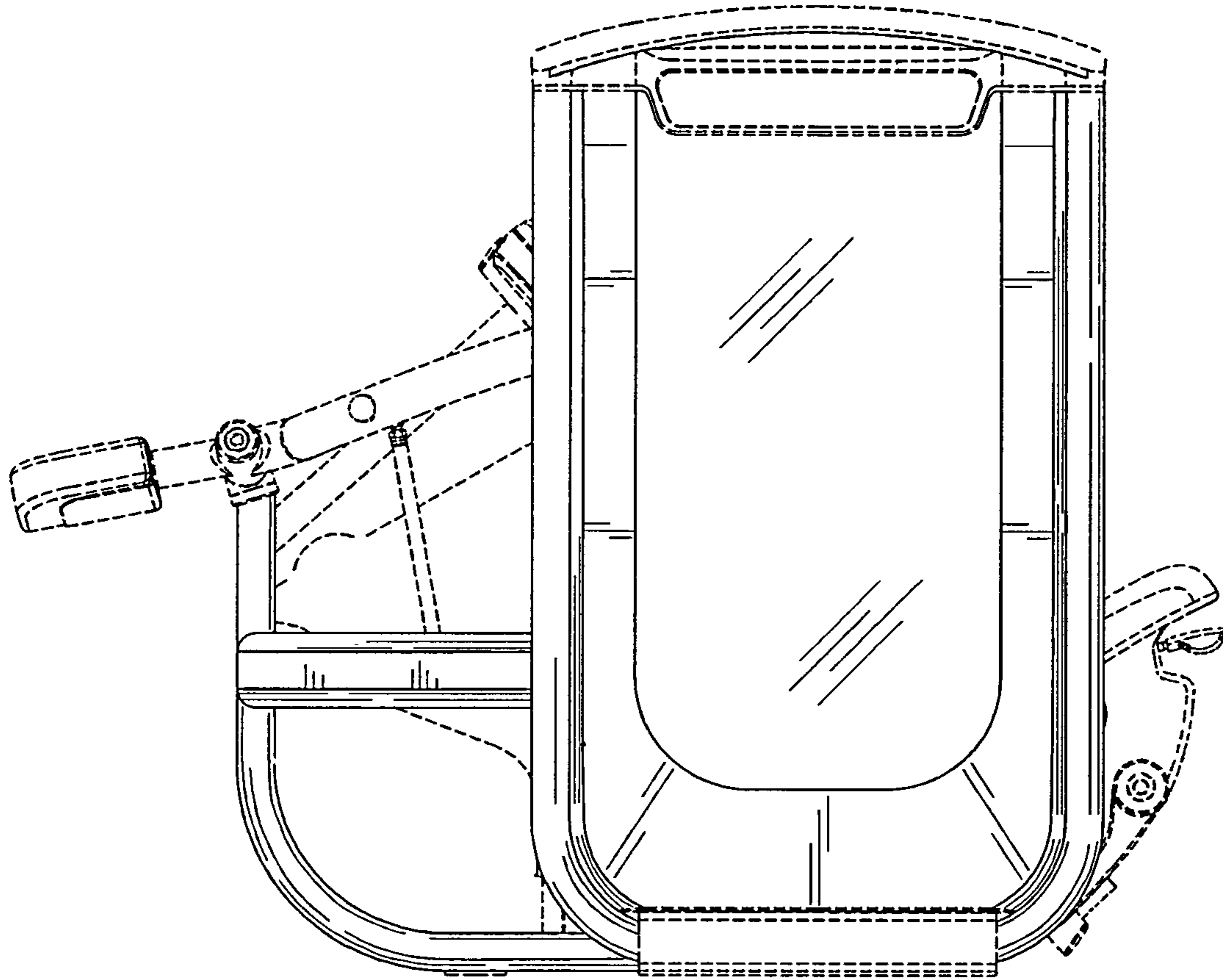


Fig. 10 (NEW)

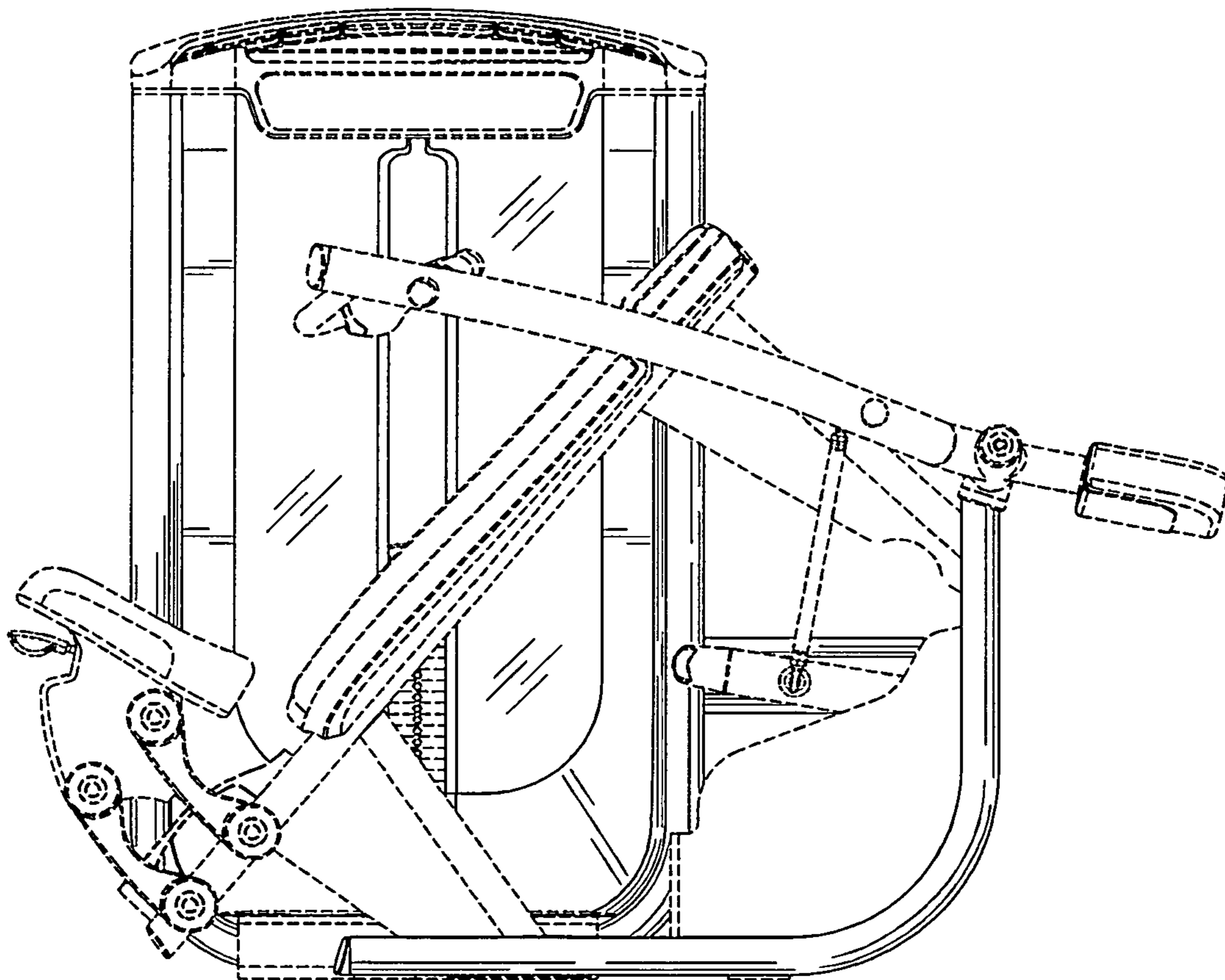


Fig. 11 (NEW)



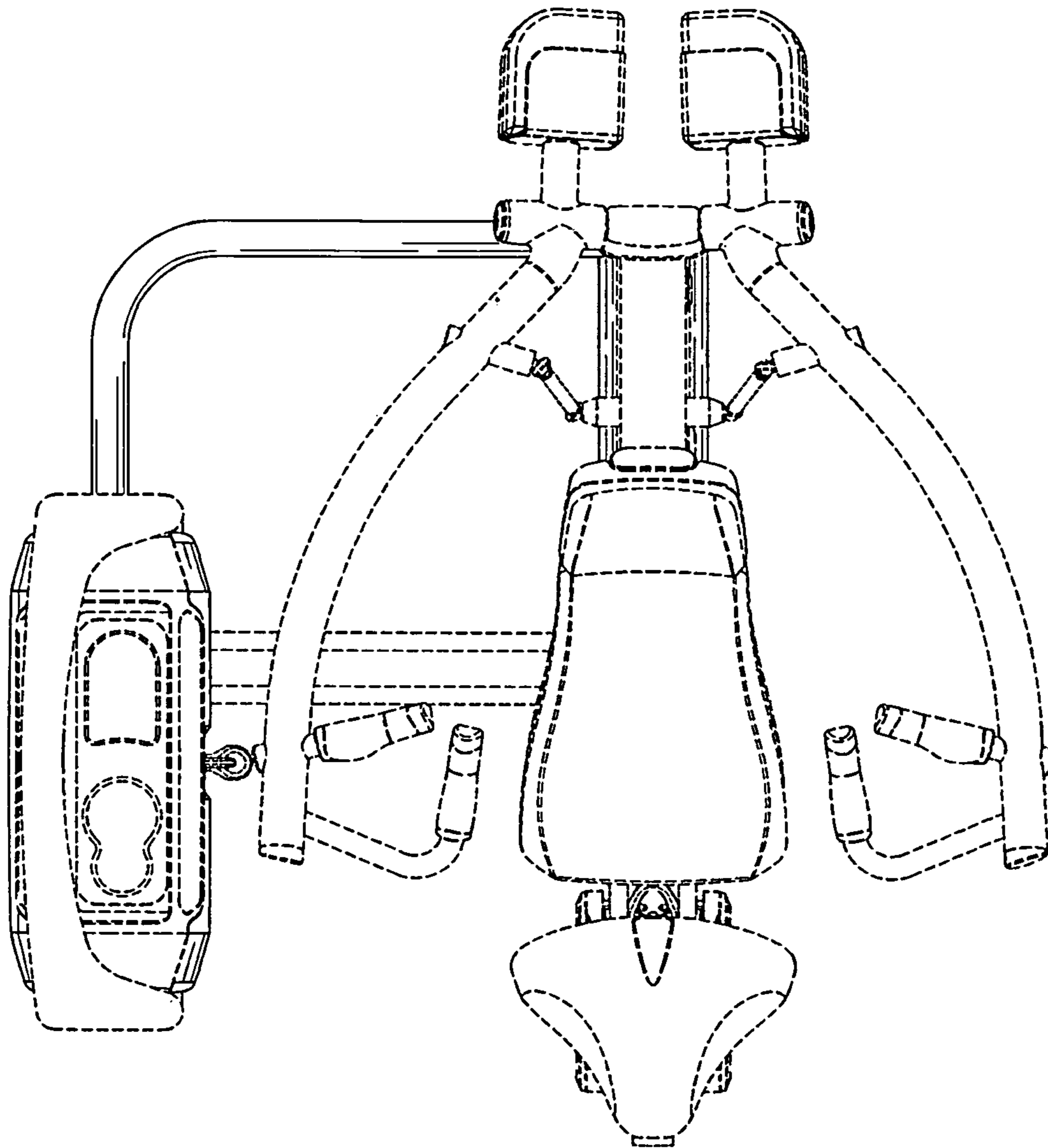


Fig. 12 (NEW)