



US00RE44827E

(19) **United States**
(12) **Reissued Patent**
Al-Dhahir et al.

(10) **Patent Number:** **US RE44,827 E**
(45) **Date of Reissued Patent:** ***Apr. 8, 2014**

(54) **TRAINING-BASED CHANNEL ESTIMATION FOR MULTIPLE-ANTENNAS**

(71) Applicant: **AT&T Intellectual Property II, L.P.**,
Atlanta, GA (US)
(72) Inventors: **Naofal Al-Dhahir**, Morris Township, NJ
(US); **Christine Fragouli**, Madison, NJ
(US); **William Turin**, East Brunswick,
NJ (US)

(73) Assignee: **AT&T Intellectual Property II, L.P.**,
Atlanta, GA (US)

(*) Notice: This patent is subject to a terminal disclaimer.

(21) Appl. No.: **13/846,219**

(22) Filed: **Mar. 18, 2013**

Related U.S. Patent Documents

Reissue of:

(64) Patent No.: **7,746,945**
Issued: **Jun. 29, 2010**
Appl. No.: **11/190,403**
Filed: **Jul. 27, 2005**

U.S. Applications:

(63) Continuation of application No. 09/956,648, filed on
Sep. 20, 2001, now Pat. No. 6,959,047.

(60) Provisional application No. 60/282,647, filed on Apr.
9, 2001.

(51) **Int. Cl.**
H04B 7/02 (2006.01)
H04L 1/02 (2006.01)

(52) **U.S. Cl.**
USPC **375/267; 375/299**

(58) **Field of Classification Search**
USPC **375/259, 260, 267, 295, 299**
See application file for complete search history.

(56) **References Cited**

U.S. PATENT DOCUMENTS

5,914,982 A * 6/1999 Bjarnason et al. 375/222
5,949,819 A * 9/1999 Bjarnason et al. 375/222
6,424,679 B1 7/2002 Dabak et al.
6,449,314 B1 9/2002 Dabak et al.
6,643,338 B1 11/2003 Dabak et al.
6,788,661 B1 9/2004 Ylitalo et al.

(Continued)

OTHER PUBLICATIONS

Geng, J. et al., "Optimal Space-Time Block Codes for CDMA Systems," Proceedings of 21st Century Military Communications Conference, vol. 1, Oct. 22-25, 2000, pp. 387-391.

(Continued)

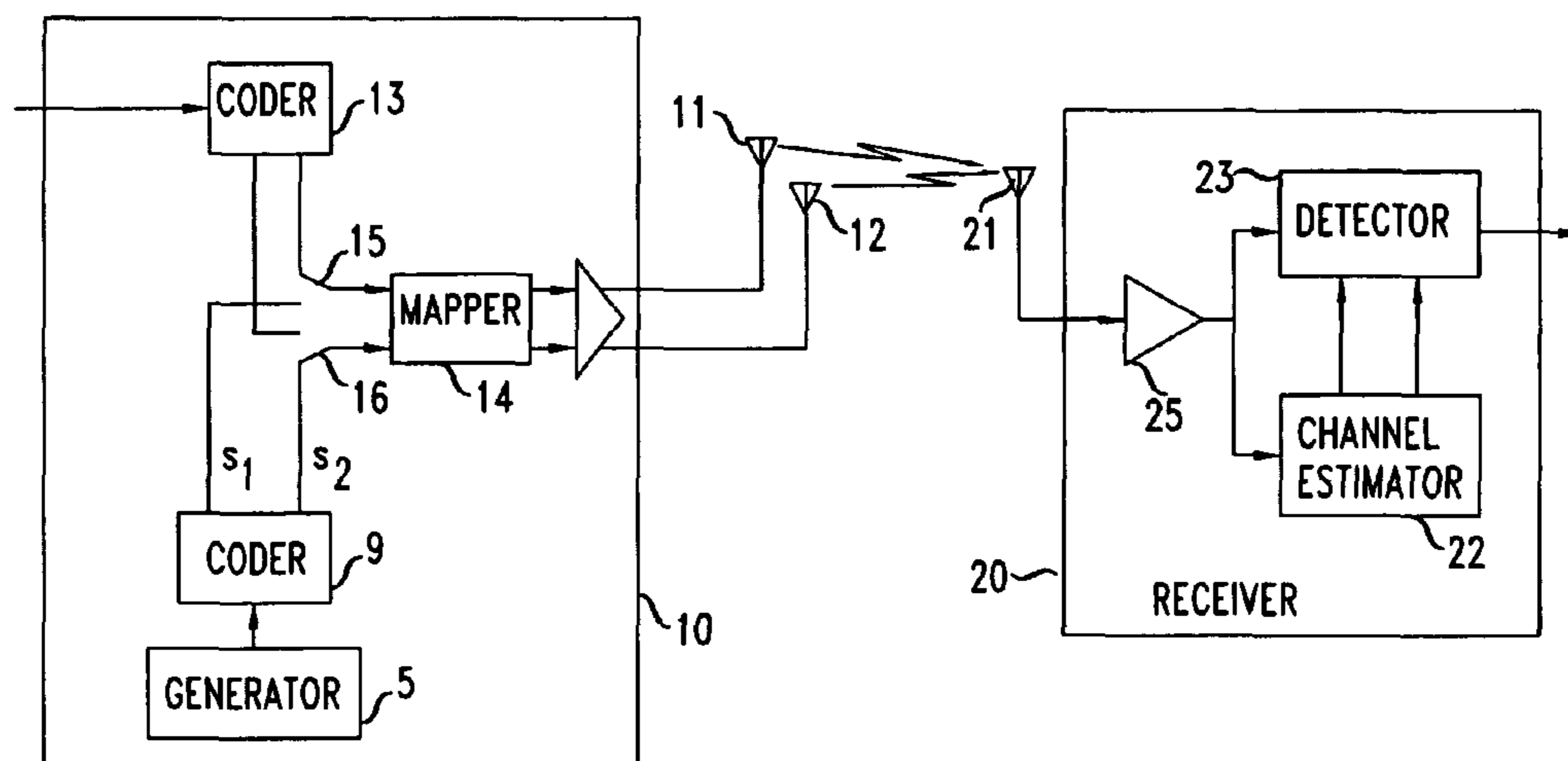
Primary Examiner — Jean B Corrielus

(74) *Attorney, Agent, or Firm* — Abel Law Group, LLP

(57) **ABSTRACT**

The burden of designing multiple training sequences for systems having multiple transmit antennas, is drastically reduced by employing a single sequence from which the necessary multiple sequences are developed. The single sequence is selected to create sequences that have an impulse-like auto-correlation function and zero cross correlations. A sequence of any desired length N_t can be realized for an arbitrary number of channel taps, L . The created sequences can be restricted to a standard constellation (that is used in transmitting information symbols) so that a common constellation mapper is used for both the information signals and the training sequence. In some applications a training sequence may be selected so that it is encoded with the same encoder that is used for encoding information symbols. Both block and trellis coding is possible in embodiments that employ this approach.

16 Claims, 4 Drawing Sheets



(56)

References Cited

U.S. PATENT DOCUMENTS

6,865,237 B1 * 3/2005 Boariu et al. 375/295
6,891,897 B1 * 5/2005 Bevan et al. 375/265
7,006,579 B2 2/2006 Kuchi et al.
RE39,165 E * 7/2006 Bjarnason et al. 375/222
7,139,324 B1 11/2006 Ylitalo et al.
7,200,182 B2 4/2007 Dabak et al.
7,272,192 B2 9/2007 Lindskog et al.
7,366,266 B2 4/2008 Dabak et al.
7,613,259 B2 11/2009 Dabak et al.
7,701,916 B2 4/2010 Dabak et al.
2002/0067309 A1 6/2002 Baker et al.

2004/0013211 A1 * 1/2004 Lindskog et al. 375/347
2005/0157683 A1 7/2005 Ylitalo et al.
2005/0157684 A1 7/2005 Ylitalo et al.
2005/0185734 A1 * 8/2005 Hottinen et al. 375/295

OTHER PUBLICATIONS

Naguib, A.F., et al., "A Space-Time Coding Modem for High-Data-Rate Wireless Communications," IEEE Journal on Selected Areas in Communications, vol. 16, issue 8, Oct. 1998, pp. 1459-1478.
E Lindskog et al, A Transmit Diversity Scheme for Channels With Intersymbol Interference, ICC, 1:307-311, 2000.

* cited by examiner

FIG. 1 (PRIOR ART)

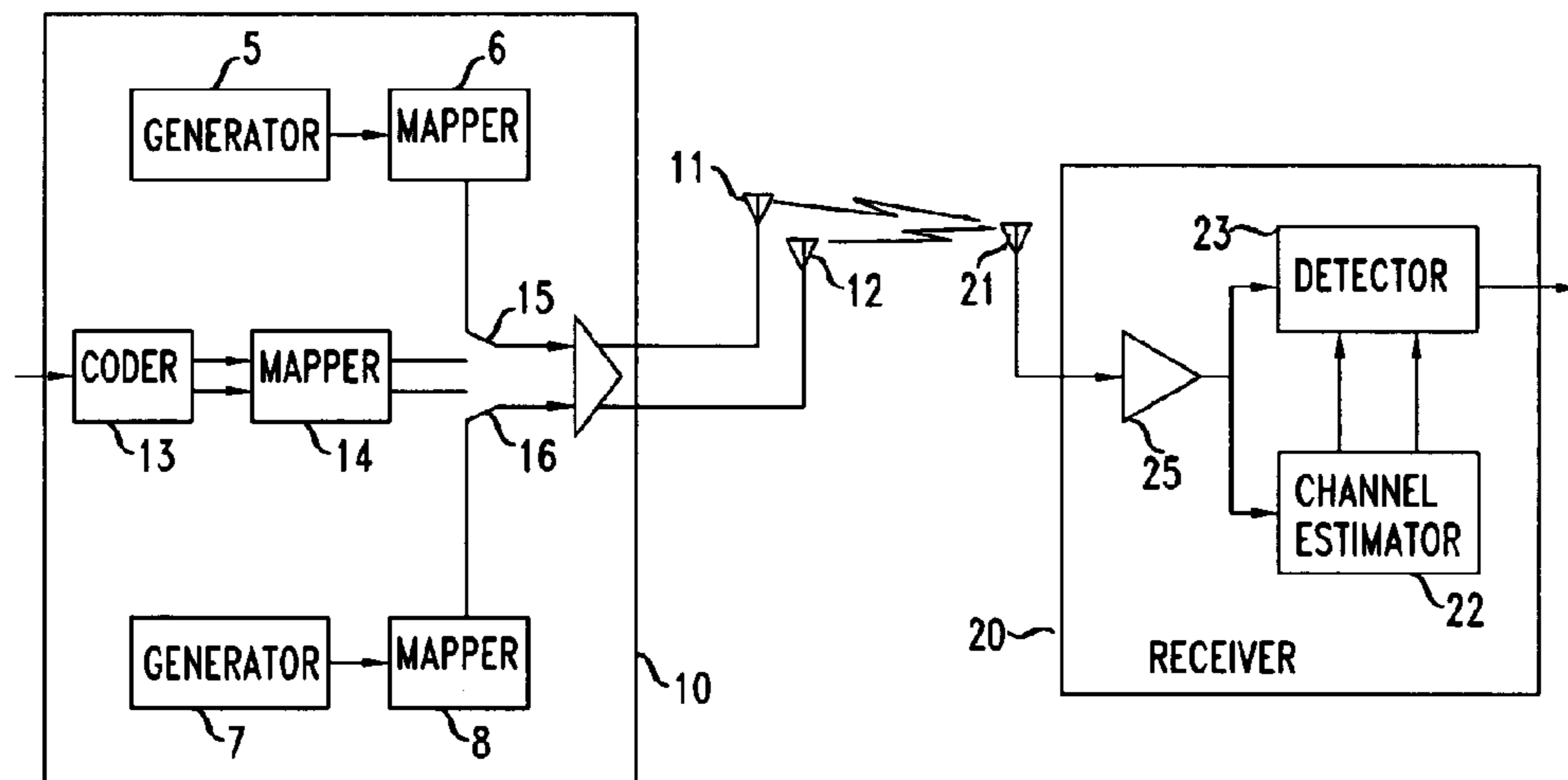


FIG. 2

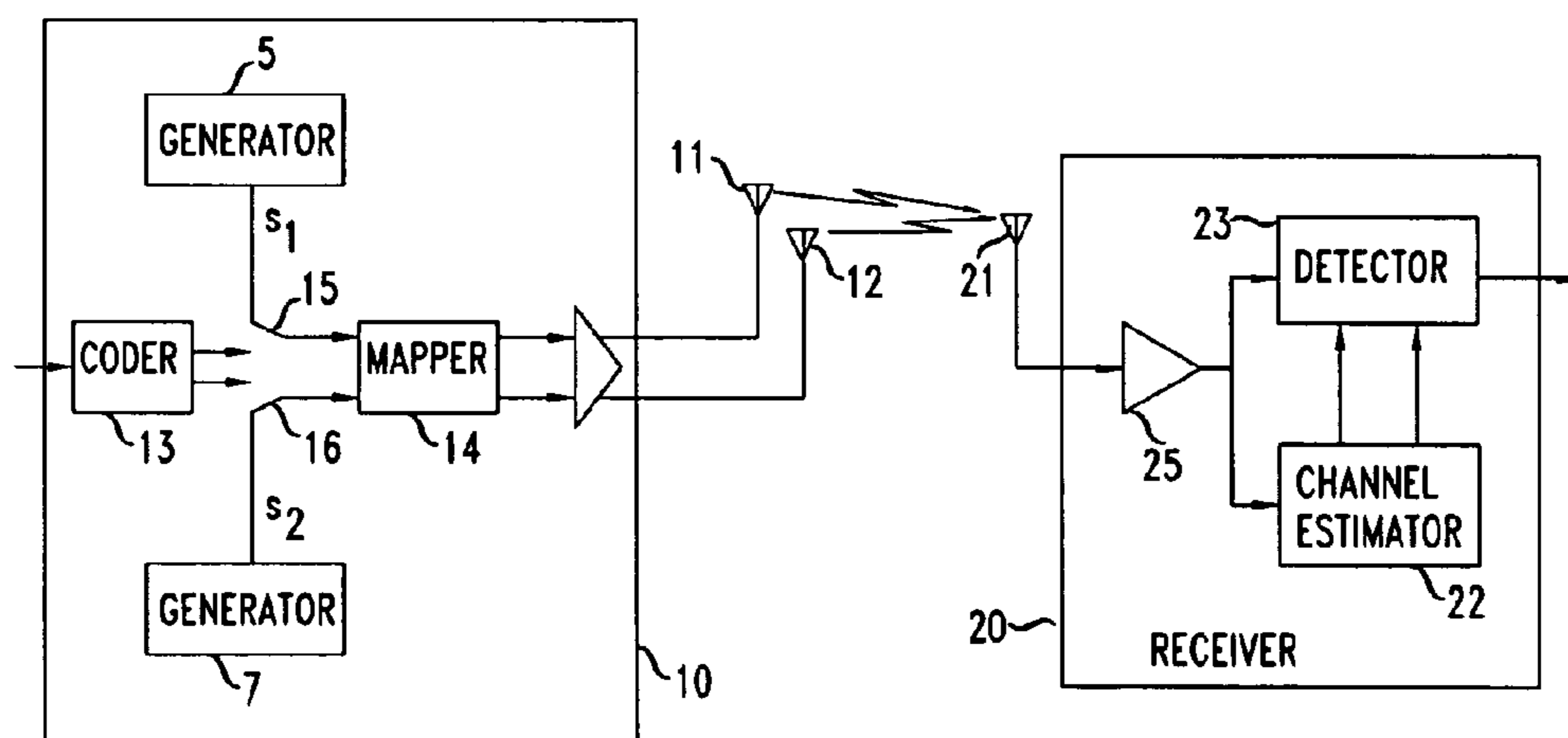


FIG. 3

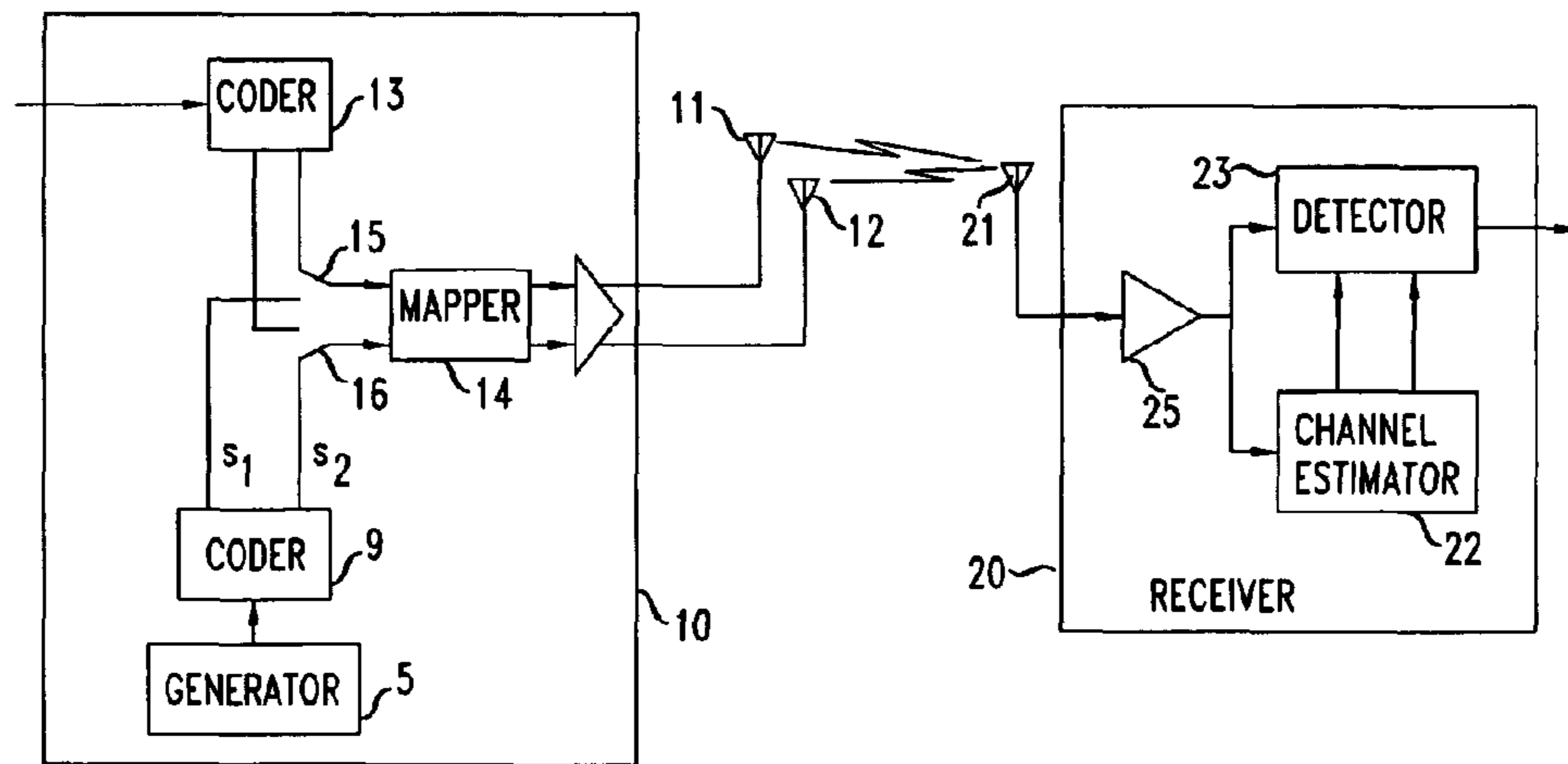


FIG. 4

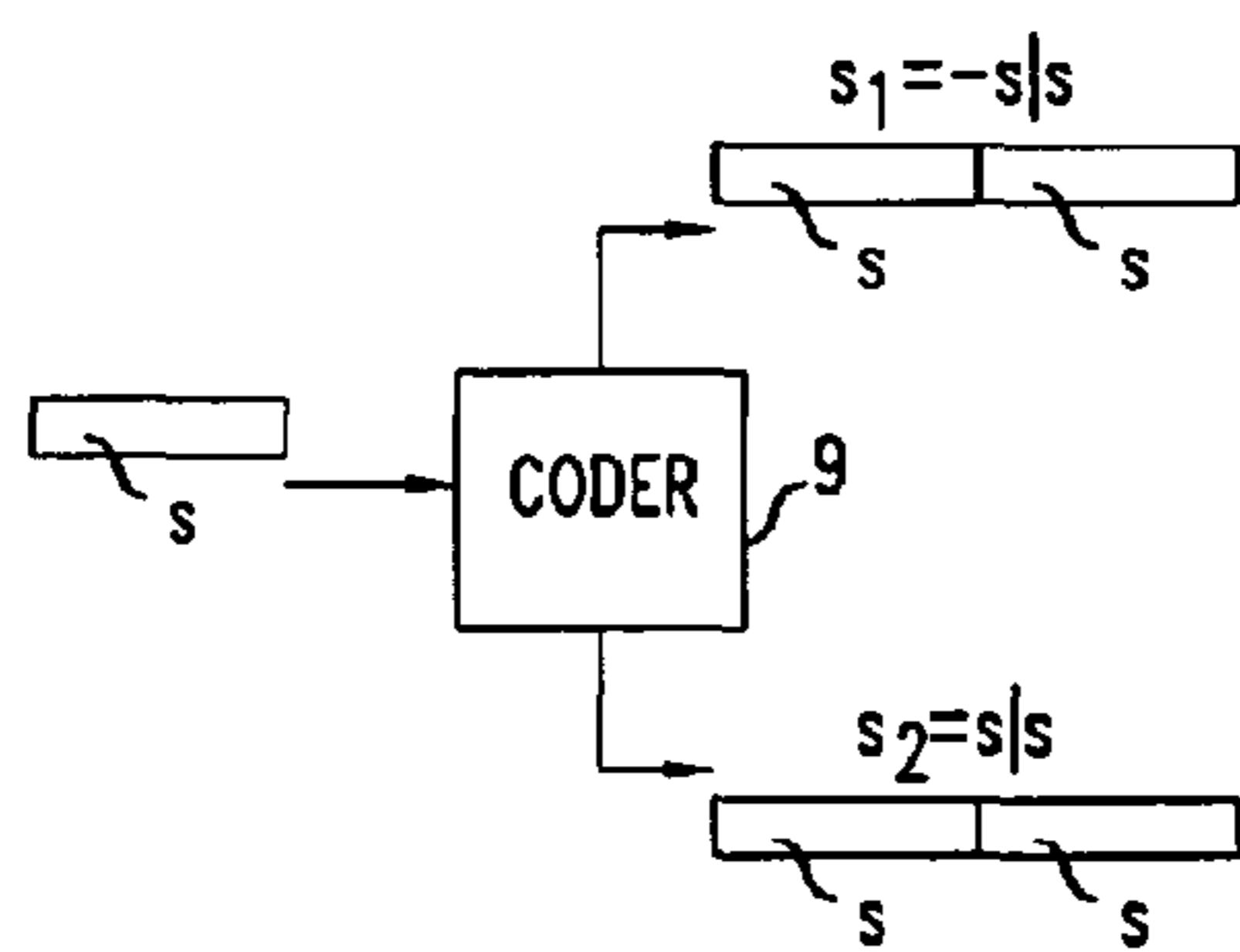


FIG. 5

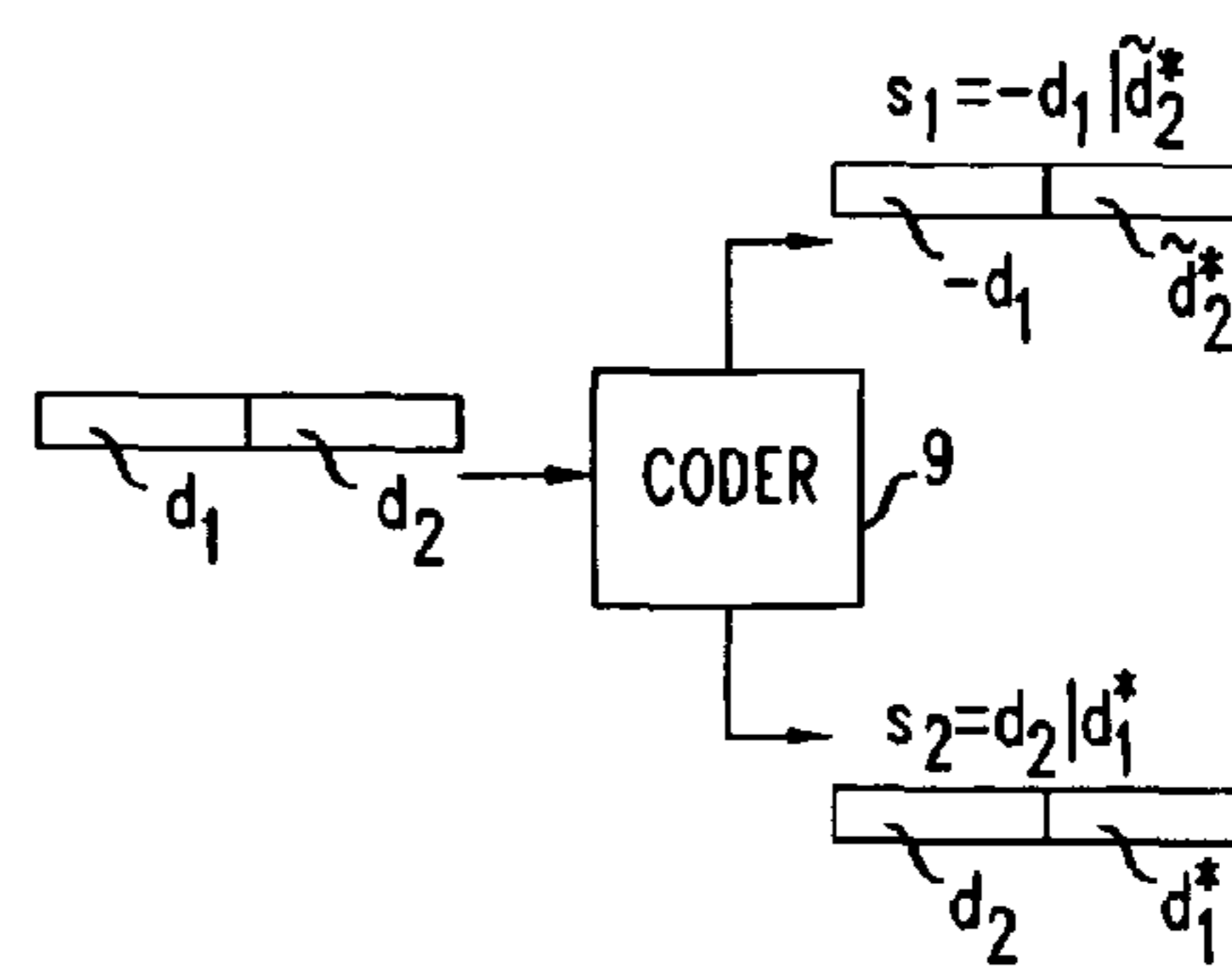


FIG. 6

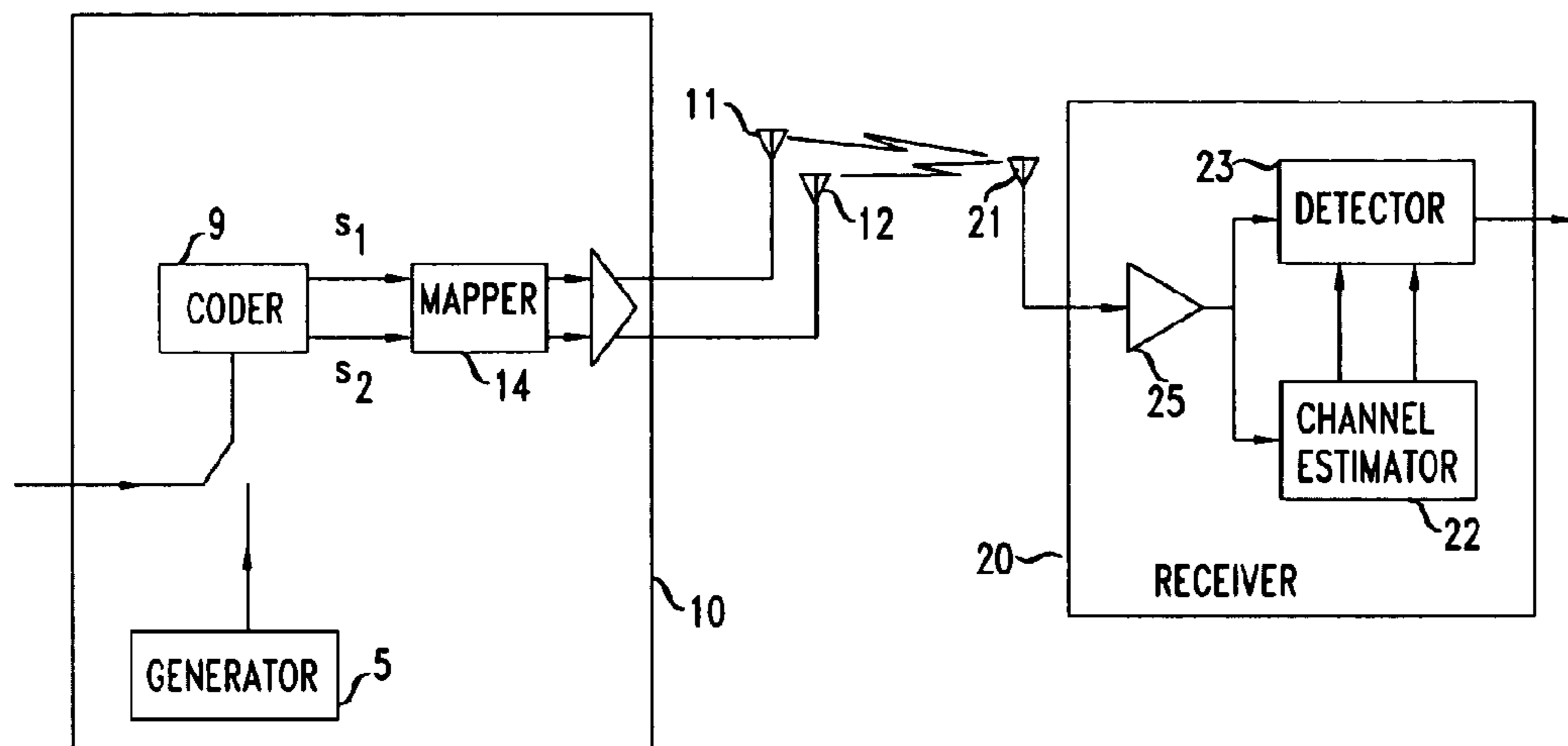


FIG. 7

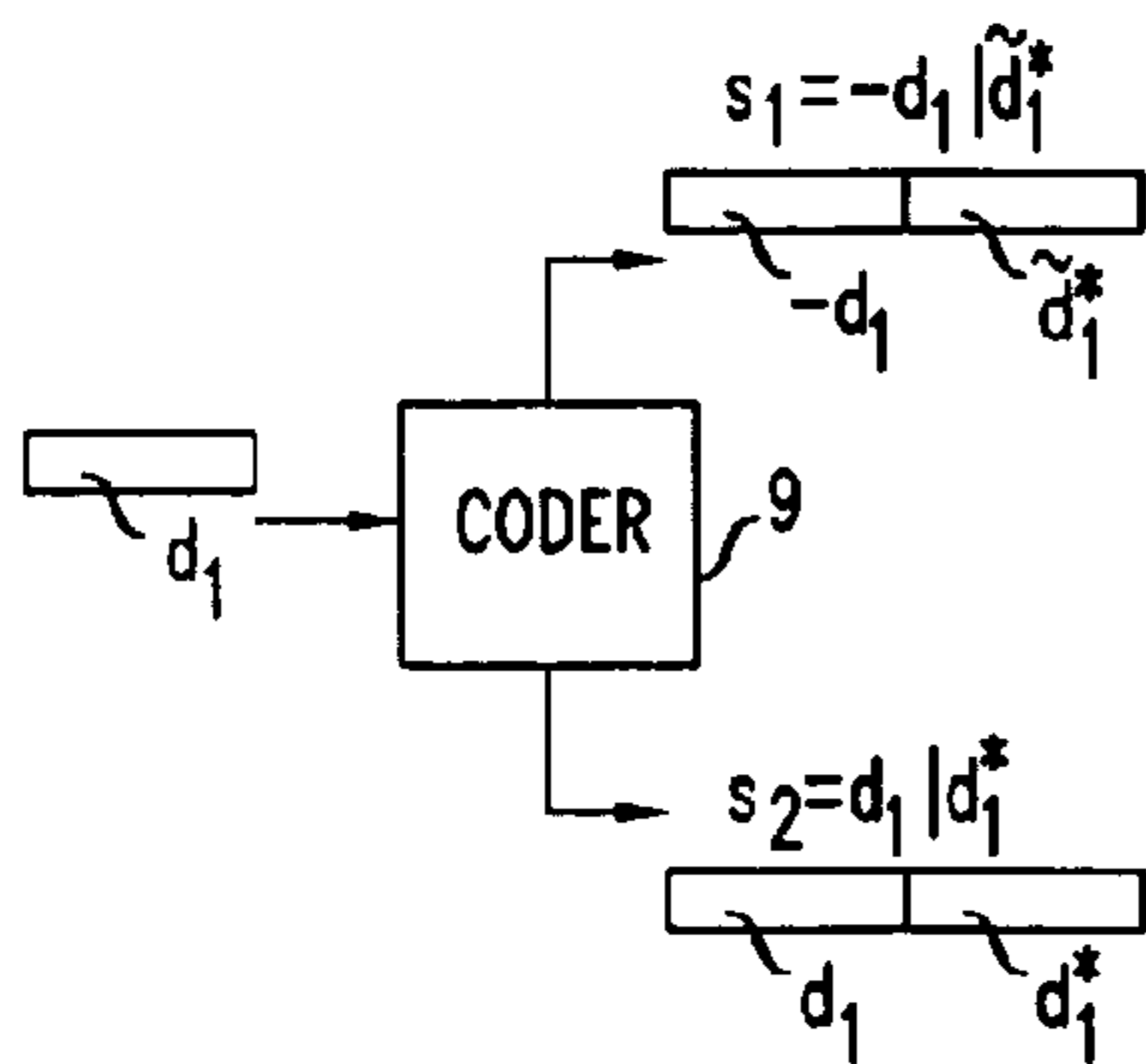


FIG. 8

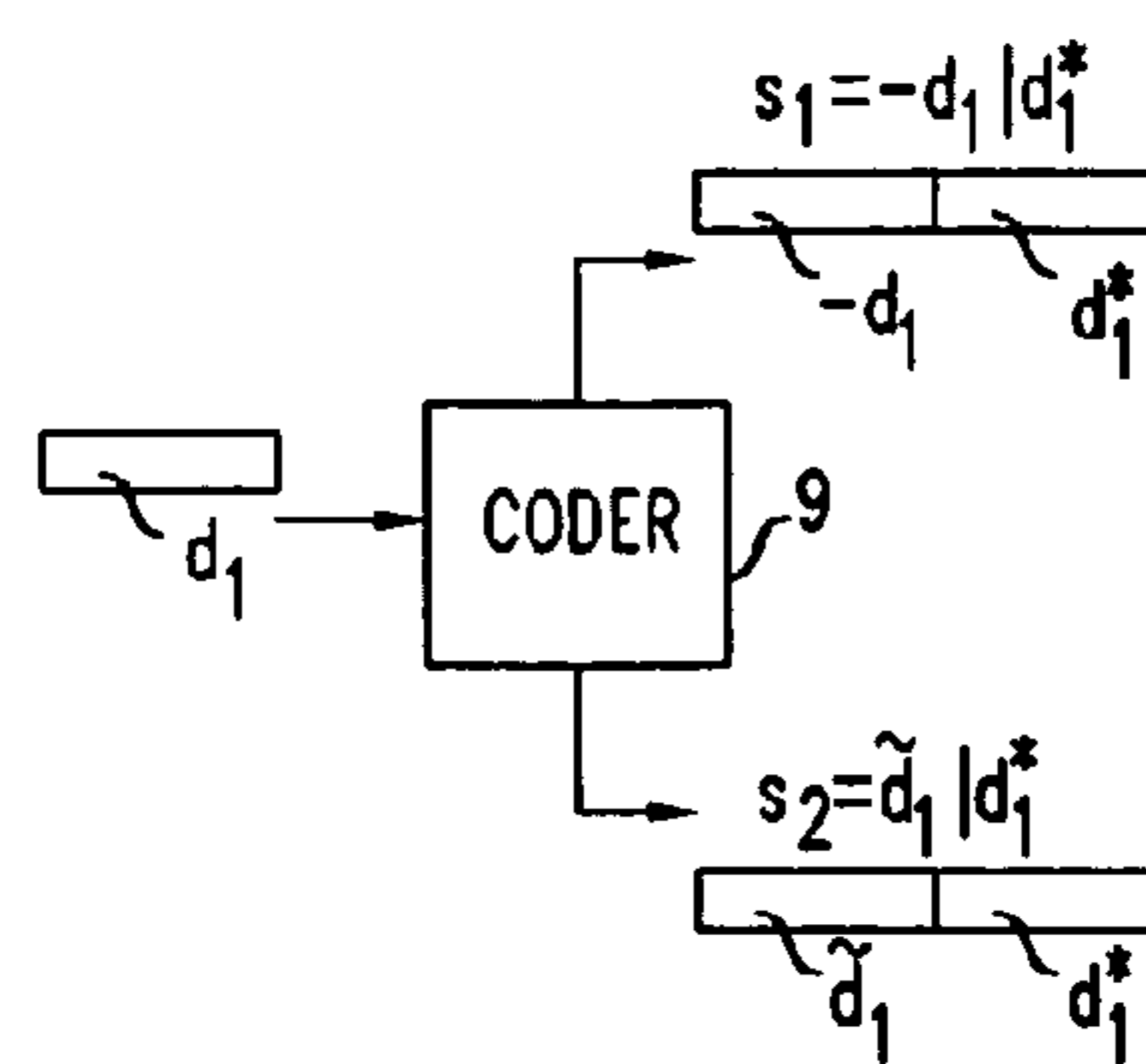


FIG. 9

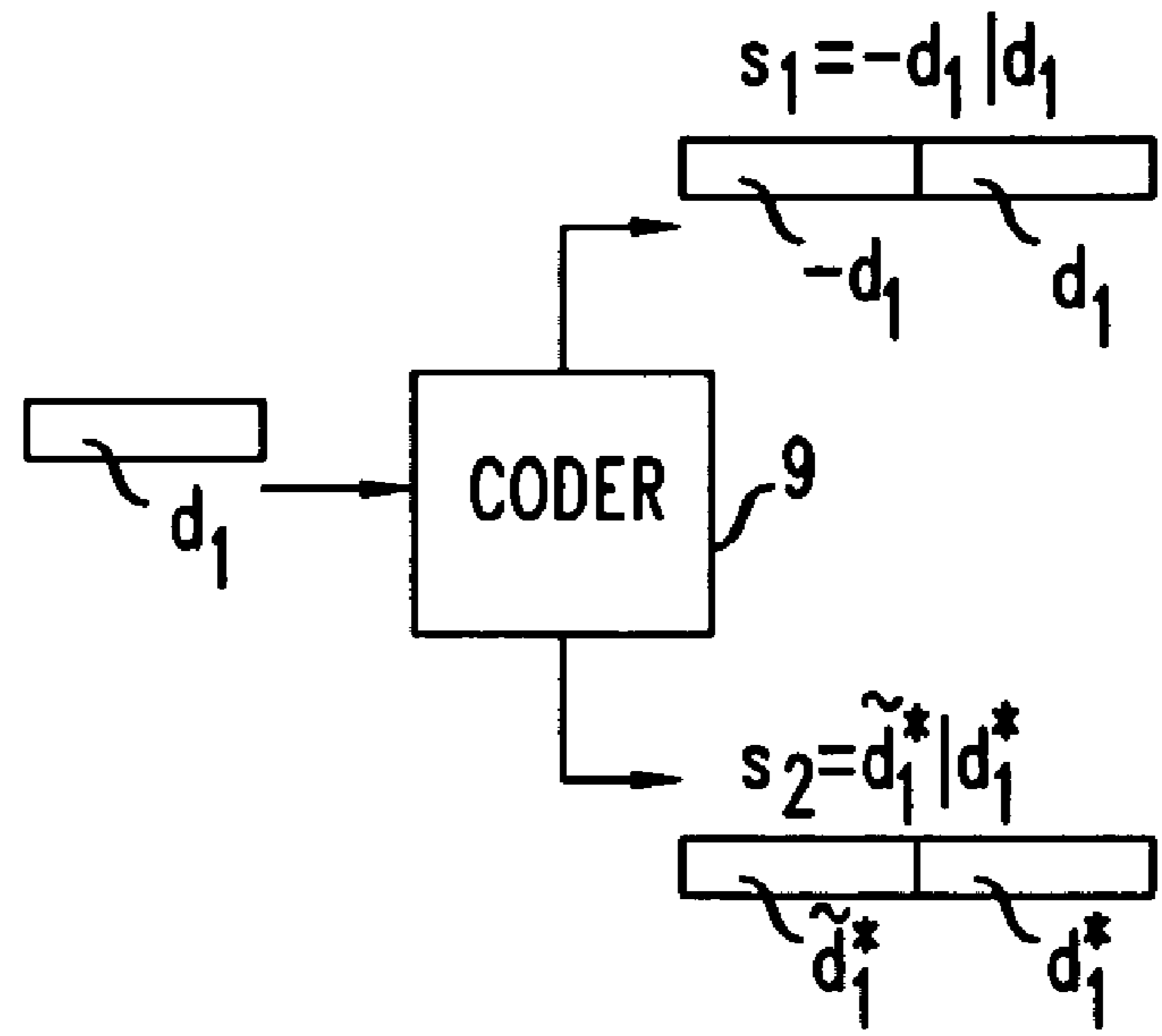
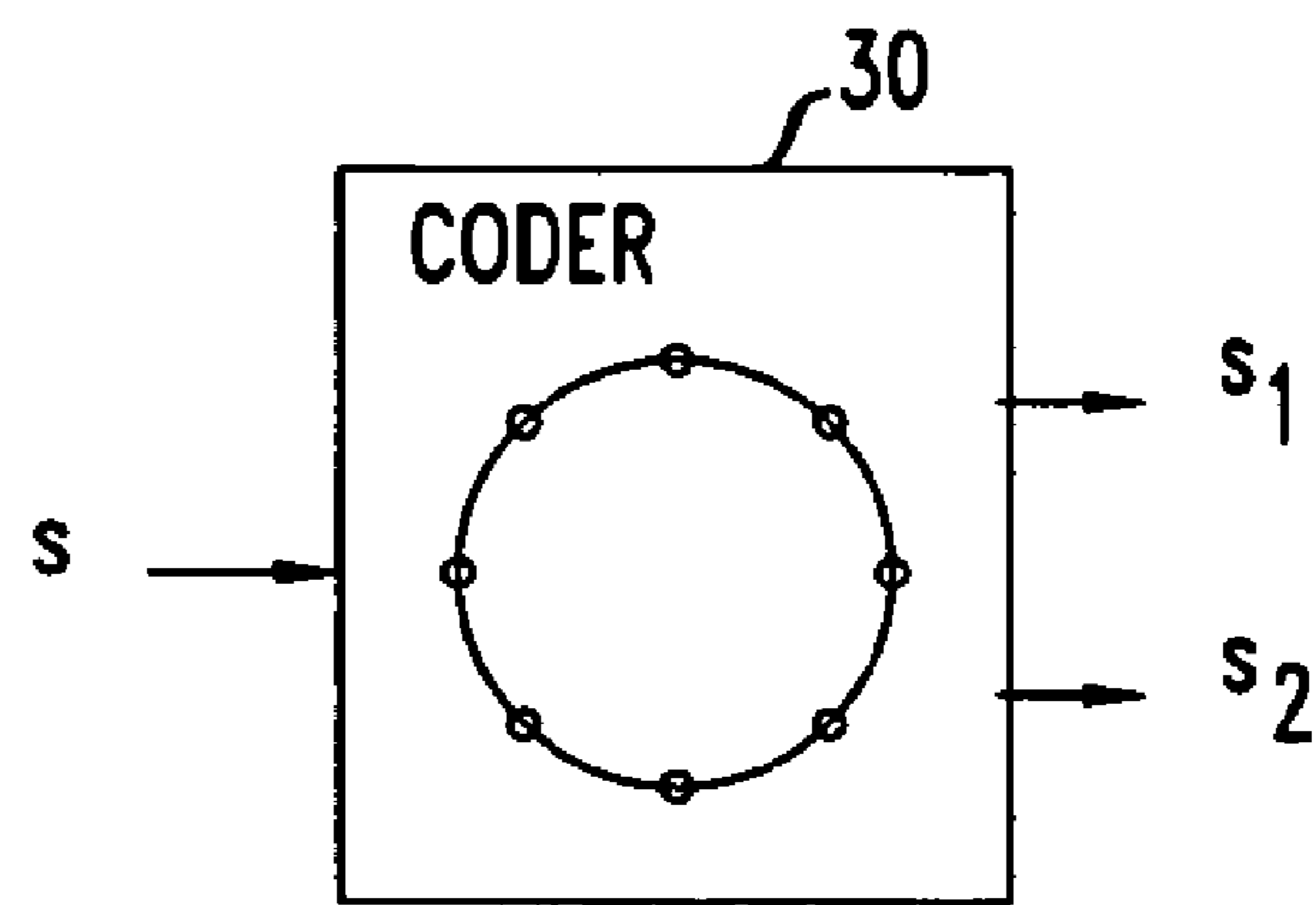


FIG. 10



TRAINING-BASED CHANNEL ESTIMATION FOR MULTIPLE-ANTENNAS

Matter enclosed in heavy brackets [] appears in the original patent but forms no part of this reissue specification; matter printed in italics indicates the additions made by reissue.

RELATED APPLICATION

This application is a reissue of U.S. Pat. No. 7,746,945, which patent was filed Jul. 27, 2005 as application Ser. No. 11/190,403, which is a continuation of U.S. patent application Ser. No. 09/956,648, filed Sep. 20, 2001, now U.S. Pat. No. 6,959,047. This invention also claims priority from [], which claims benefit under 35 U.S.C. §119(e) of provisional application No. 60/282,647, filed Apr. 9, 2001.

BACKGROUND OF THE INVENTION

This relates to space-time coding, and more particularly, to channel estimation in space-time coding arrangements.

Space-Time coding (STC) is a powerful wireless transmission technology that enables joint optimized designs of modulation, coding, and transmit diversity modules on wireless links. A key feature of STC is that channel knowledge is not required at the transmitter. While several non-coherent STC schemes have been invented that also do not require channel information at the receiver, they suffer performance penalties relative to coherent techniques. Such non-coherent techniques are therefore more suitable for rapidly fading channels that experience significant variation with the transmission block. However, for quasi static or slowly varying fading channels, training-based channel estimation at the receiver is commonly employed, because it offers better performance.

For single transmit antenna situations, it is known that a training sequence can be constructed that achieves a channel estimation with minimum mean squared error (optimal sequences) by selecting symbols from an N^{th} root-of-unit alphabet of symbols $e^{i2\pi k/N}$, $k=0, 1, 2, \dots (N-1)$, when the alphabet size N is not constrained. Such sequences are the Perfect Roots-of-Unity Sequences (PRUS) that have been proposed in the literature, for example, by W. H. Mow, "Sequence Design for Spread Spectrum," The Chinese University Press, Chinese University of Hong Kong, 1995. The training sequence length, N_t , determines the smallest possible alphabet size. Indeed, it has been shown that for any given length N_t , there exists a PRUS with alphabet size $N=2N_t$, and that for some values of N_t , smaller alphabet sizes are possible. It follows that a PRUS of a predetermined length might employ a constellation that is other than a "standard" constellation, where a "standard" constellation is one that has a power of 2 number of symbols. Binary phase shift keying (BPSK), quadrature phase shift keying (QPSK), and 8-point phase shift keying (8-PSK) are examples of a standard constellation. Most, if not all, STC systems employ standard constellations for the transmission of information.

Another known approach for creating training sequences constrains the training sequence symbols to a specific (standard) constellation, typically, BPSK, QPSK, or 8-PSK in order that the transmitter and receiver implementations would be simpler (a single mapper in the transmitter and an inverse mapper in the receiver—rather than two). In such a case, however, optimal sequences do not exist for all training lengths N_t . Instead, exhaustive searches must be carried out to

identify sub-optimal sequences according to some performance criteria. Alas, such searches may be computationally prohibitive. For example, in the third generation TDMA proposal that is considered by the industry, 8-PSK constellation symbols are transmitted in a block that includes 116 information symbols, and 26 training symbols ($N_t=26$). No optimal training sequence exists for this value of N_t and constellation size and number of channel taps to estimate, L .

When, for example, two transmit antennas are employed, a training sequence is needed for each antenna, and ideally, the sequences should be uncorrelated. One known way to arrive at such sequences is through an exhaustive search in the sequences space. This space can be quite large. For example, when employing two antennas, and a training sequence of 26 symbols for each antenna, this space contains $8^{2 \times 26}$ sequences. For current computational technology, this is a prohibitively large space for exhaustive searching. Reducing the constellation of the training sequence to BPSK (from 8-PSK) reduces the search to $2^{2 \times 26}$ sequences, but that is still quite prohibitively large; and the reduction to a BPSK sequence would increase the achievable mean squared error. Moreover, once the two uncorrelated sequences are found, a generator is necessary for each of the sequences, resulting in an arrangement (for a two antenna case) as shown in FIG. 1, which includes transmitter 10 that includes information encoder 13 that feeds constellation mapper 14 that drives antennas 11 and 12 via switches 15 and 16. To provide training sequences, transmitter 10 includes sequence generator 5 followed by constellation mapper 6 that feeds antenna 11 via switch 15, and sequence generator 7 followed by constellation mapper 8 that feeds antenna 12 via switch 16.

SUMMARY OF THE INVENTION

As advance in the art is achieved with an approach that drastically reduces the problem of designing multiple training sequences for systems having multiple transmit antennas, by employing a single sequence from which the necessary multiple sequences are developed. The single sequence is selected to develop the multiple sequences that have impulse-like autocorrelation functions and zero cross correlations. A sequence of any desired length N_t can be realized for an arbitrary number of channel taps, L .

In one approach, a sequence having an impulse-like autocorrelation function is restricted advantageously to a standard constellation (that is used in transmitting information symbols) so a common constellation mapper is used for both the information signals and the training sequence.

In another approach, a training sequence is selected so that it is encoded with the same encoder that is used for encoding information symbols. Both block and trellis coding is possible in embodiments that employ this approach.

BRIEF DESCRIPTION OF THE DRAWING

FIG. 1 shows a prior art arrangement of a two-antenna transmitter and a one antenna receiver, where training sequences are independently generated for the two transmitting antennas;

FIG. 2 shows an arrangement where the training sequences employ the same constellation mapper that is employed in mapping space-time encoded information symbols;

FIG. 3 presents a block diagram of an arrangement where a single encoder generates the training sequences for the two transmitter antennas;

FIG. 4 shows one encoding realization for encoder 9 of FIG. 3;

3

FIG. 5 shows another encoding realization for encoder 9 of FIG. 3;

FIG. 6 presents a block diagram of an arrangement where a single encoder generates both the training sequences and the information symbols for the two transmitter antennas;

FIG. 7 shows one encoding realization for encoder 9 of FIG. 6;

FIG. 8 shows another encoding realization for encoder 9 of FIG. 6;

FIG. 9 shows yet another encoding realization for encoder 9 of FIG. 6; and

FIG. 10 shows the constellation of an 8-PSK encoder realization for encoder 9.

DETAILED DESCRIPTION

The following mathematical development focuses on a system having two transmit antennas and one receive antenna. It should be understood, however, that a skilled artisan could easily extend this mathematical development to more than two transmit antennas, and to more than one receive antenna.

FIG. 2 shows an arrangement a transmitter with two transmit antennas 11 and 12 that transmits signals s_1 and s_2 , respectively, and a receiver with receive antenna 21, and channels h_1 (from antenna 11 to antenna 21) and h_2 (from antenna 12 to antenna 21) therebetween. Channels h_1 and h_2 can be expressed as a finite impulse response (FIR) filter with L taps. Thus, the signal received at antenna 21 at time k , $y(k)$, can be expressed as

$$y(k) = \sum_{i=0}^{L-1} h_1(i)s_1(k-i) + \sum_{i=0}^{L-1} h_2(i)s_2(k-i) + z(k) \quad (1)$$

where $z(k)$ is noise, which is assumed to be AWGN (additive white Gaussian noise).

The inputs sequences s_1 and s_2 belong to a finite signals constellation and can be assumed, without loss of generality, that they are transmitted in data blocks that consist of N_t information symbols and N_t training symbols. If N_t training symbols are employed to estimate the L taps of a channel in the case of a single antenna, then for a two antenna case such as shown in FIG. 1, one needs to employ $2N_t$ training symbols to estimate the $2L$ unknown coefficients (of h_1 and h_2).

When a training sequence of length N_t is transmitted, the first L received signals are corrupted by the preceding symbols. Therefore, the useful portion of the transmitted N_t sequence is from L to N_t . Expressing equation (2) in matrix notation over the useful portion of a transmitted training sequence yields

$$y = Sh + z = [S_1(L, N_t) S_2(L, N_t)] \begin{bmatrix} h_1(L) \\ h_2(L) \end{bmatrix} + z, \quad (2)$$

where y and z are vectors with $(N_t - L + 1)$ elements, $S_1(L, N_t)$ and $S_2(L, N_t)$ are convolution matrices of dimension $(N_t - L + 1) \times L$, and $h_1(L)$ and $h_2(L)$ are of dimension $L \times 1$; that is,

4

$$S_i(L, N_t) = \begin{bmatrix} s_i(L-1) & s_i(L-2) & \cdots & s_i(0) \\ s_i(L) & s_i(L-1) & \cdots & s_i(1) \\ \vdots & \vdots & \ddots & \vdots \\ s_i(N_t-1) & s_i(N_t-2) & \cdots & s_i(N_t-L) \end{bmatrix}, \text{ and} \quad (3)$$

$$h_i(L) = \begin{bmatrix} h_i(0) \\ h_i(1) \\ \vdots \\ h_i(L-1) \end{bmatrix} \text{ for } i = 1, 2. \quad (4)$$

If the convolution matrix is to have at least L rows, N_t must be at least $2L - 1$. In the context of this disclosure, the S matrix is termed the "training matrix" and, as indicated above, it is a convolution matrix that relates to signals received from solely in response to training sequence symbols; i.e., not corrupted by signals sent prior to the sending of the training sequence.

The linear least squared channel estimates, \hat{h} , assuming S has full column rank, is

$$\hat{h} = \begin{bmatrix} \hat{h}_1 \\ \hat{h}_2 \end{bmatrix} = (S^H S)^{-1} S^H y, \quad (5)$$

where the $(\bullet)^H$ and $(\bullet)^{-1}$ designate the complex-conjugate transpose (Hermitian) and the inverse, respectively. For zero mean noise, the channel estimation mean squared error is defined by

$$\text{MSE} = E[(h - \hat{h})^H (h - \hat{h})] = 2\sigma^2 \text{tr}(S^H S)^{-1}, \quad (6)$$

where $\text{tr}(\cdot)$ denotes a trace of a matrix. The minimum MSE, MMSE, is equal to

$$\text{MMSE} = \frac{2\sigma^2 L}{(N_t - L + 1)}, \quad (7)$$

which is achieved if and only if

$$S^H S = \begin{bmatrix} S_1^H S_1 & S_2^H S_1 \\ S_1^H S_2 & S_2^H S_2 \end{bmatrix} = (N_t - L + 1) I_{2L} \quad (8)$$

where I_{2L} is the $2L \times 2L$ identity matrix. The sequences s_1 and s_2 that satisfy equation (8) are optimal sequences. Equation (8) effectively states that the optimal sequences have an impulse-like autocorrelation function (e.g. $S_1^H S$ corresponds to the identity matrix, I , multiplied by a scalar) and zero cross-correlations.

A straightforward approach for designing two training sequences of length N_t each is to estimate two L -taps channels (i.e., two channels having L unknowns each, or a total of $2L$ unknowns) is to design a single training sequence s of length N_t' ($N_t' = N_t + L$) that estimates a single channel with $L' = 2L$ taps (i.e., a single channel having $2L$ unknowns). Generalizing, $N_t' = N_t + (n-2)L$, where n is the number of antennas. One can thus view the received signal as

$$y = S(L', N_t') h(L') + z \quad (9)$$

5

where S is a convolution matrix of dimension $(N'_t-L'+1) \times L'$. Again, for optimality, the imposed requirement is that

$$S^H(L', N'_t)S(L', N'_t) = (N'_t - L' + 1)I_{2L'}, \quad (10)$$

and once the sequence s is found, the task is to create the subsequences s_1 and s_2 from the found sequence s . Preferably, the subsequences s_1 and s_2 can be algorithmically generated from sequence s . Conversely, one may find subsequences s_1 and s_2 that satisfy the requirements of equation (8) and be such that sequence s can be algorithmically generated. This permits the use of a single training signal generator that, through a predetermined algorithm (i.e., coding) develops the subsequences s_1 and s_2 . Both approaches lead to embodiment depicted in FIG. 3, where information signals are applied to encoder 13 that generates two streams of symbols that are applied to constellation mapper 14 via switches 15 and 16. Generator 5 creates a training sequence that is applied to encoder 9, and encoder 9 generates the subsequences s_1 and s_2 that are applied to constellation mapper 14 via switches 15 and 16.

Actually, once we realized that the complexity of the training sequence determination problem can be reduced by focusing on the creation of a single sequence from which a plurality of sequences that meet the requirements of equation (8) can be generated, it became apparent that there is no requirement for s to be longer than s_1 and s_2 .

FIG. 4 presents one approach for generating optimal subsequences s_1 and s_2 that meet the requirements of equation (8) and that can be generated from a single sequence. In accordance with FIG. 4, generator 5 develops a sequence s of length $N_t/2$, and encoder 9 develops therefrom the sequences $s_1 = -s|s$ and $s_2 = s|s$, where the “|” symbol stands for concatenation; e.g., sequence s_1 comprises sequence $-s$ concatenated with, or followed by, sequence s . Thus, during the training sequence, antenna 11 transmits the sequence $-s$ during the first $N_t/2$ time periods, and the sequence s during the last $N_t/2$ time periods. Antenna 12 transmits the sequence s during both the first and last $N_t/2$ time periods.

In response to the training sequences transmitted by antennas 11 and 12, receiving antenna 21 develops the signal vector y (where the elements of the vector y are the signals received from antennas 11 and 12). Considering the received signal during the first $N_t/2$ time periods as y_1 and during the last $N_t/2$ time periods as y_2 , and employing only the useful portion of the signal (that is, the portions not corrupted by signals that are not part of the training sequence) one gets

$$\begin{bmatrix} y_1 \\ y_2 \end{bmatrix} = \begin{bmatrix} -S & S \\ S & S \end{bmatrix} \begin{bmatrix} h_1 \\ h_2 \end{bmatrix} + \begin{bmatrix} z_1 \\ z_2 \end{bmatrix} \quad (11)$$

where S is a convolution matrix of dimension $(N_t-L+1) \times L$. In accordance with the principles disclosed herein, the FIG. 3 receiver multiplies the received signal in processor 25 with the transpose conjugate matrix S^H , yielding

$$\begin{bmatrix} r_1 \\ r_2 \end{bmatrix} = \begin{bmatrix} -S^H & S^H \\ S^H & S^H \end{bmatrix} \begin{bmatrix} y_1 \\ y_2 \end{bmatrix} = \begin{bmatrix} 2S^H S & 0 \\ 0 & 2S^H S \end{bmatrix} \begin{bmatrix} h_1 \\ h_2 \end{bmatrix} + \begin{bmatrix} \bar{z}_1 \\ \bar{z}_2 \end{bmatrix} \quad (12)$$

6

-continued

where

$$\begin{bmatrix} \bar{z}_1 \\ \bar{z}_2 \end{bmatrix} = \begin{bmatrix} -S^H & S^H \\ S^H & S^H \end{bmatrix} \begin{bmatrix} z_1 \\ z_2 \end{bmatrix}. \quad (13)$$

If the sequence s is such that $S^H S = (N_t - L + 1)I_L$, then

$$\begin{bmatrix} r_1 \\ r_2 \end{bmatrix} = 2(N_t - L + 1) \begin{bmatrix} h_1 \\ h_2 \end{bmatrix} + \begin{bmatrix} \bar{z}_1 \\ \bar{z}_2 \end{bmatrix}. \quad (14)$$

If the noise is white, then the linear processing at the receiver does not color it, and the channel transfer functions correspond to

$$\begin{aligned} h_1 &= 1/2(N_t - L + 1)r_1 \\ h_2 &= 1/2(N_t - L + 1)r_2. \end{aligned} \quad (15)$$

with a minimum squared error, MSE, that achieves the lower bound expressed in equation (7); to wit,

$$\text{MSE} = \frac{2\sigma^2 L}{(N_t - L + 1)} \quad (16)$$

The above result can be generalized to allow any matrix U to be used to encode the training sequence, s , so that

$$\begin{bmatrix} y_1 \\ y_2 \end{bmatrix} = U \begin{bmatrix} h_1 \\ h_2 \end{bmatrix} + \begin{bmatrix} z_1 \\ z_2 \end{bmatrix} \quad (17)$$

as long as $U^H U = 2I$ for a two antennas case, and $U^H U = KI$ for an K antenna case.

Whereas FIG. 4 presents a method for developing sequences s_1 and s_2 of length N_t from a sequence s that is $N_t/2$ symbols long, FIG. 5 presents a method for developing sequences s_1 and s_2 of length N_t from a sequence s that is $2N_t$ symbols long, which consists of a sequence $d_1 = [s(0) s(1) \dots s(N_t-1)]$ followed by a sequence $d_2 = [s(0) s(1) \dots s(N_t-1)]$. In accordance with this approach, $s_1 = d_1 | \bar{d}_2^*$ and $s_2 = d_2 | d_1^*$. The sequence \bar{d}_1 corresponds to the sequence d_1 with its elements in reverse order. The symbol \bar{d}_1^* operation corresponds to the sequence d_1 with its elements in reverse order and converted to their respective complex conjugates.

The FIG. 5 encoding is very similar to the encoding scheme disclosed by Alamouti in U.S. Pat. No. 6,185,258, issued Feb. 6, 2001, except that (a) the Alamouti scheme is symbol-centric whereas the FIG. 5 encoding is sequence-centric, and (b) the Alamouti scheme does not have the concept of a reverse order of a sequence (e.g., \bar{d}_1^*). See also E. Lindskog and A. Paulraj titled “A Transmit Diversity Scheme for Channels With Intersymbol Interference,” ICC, 1:307-311, 2000.

An encoder 9 that is created for developing training sequences s_1 and s_2 in accordance with FIG. 5, can be constructed with a control terminal that is set to 1 during transmission of information and set to another value (e.g., 0, or to N_t to indicate the length of the generated block) during transmission of the training sequence, leading to the simplified transmitter realization shown in FIG. 6. More importantly, such an arrangement leads to a simplified receiver because

essentially the same decoder is used for both the information signals and the training signals.

With a signal arrangement as shown in FIG. 5, the signal captured at antenna 21 of receiver 20 is

$$\begin{bmatrix} y_1 \\ y_2 \end{bmatrix} = \begin{bmatrix} -\tilde{D}_1^* & \tilde{D}_1^* \\ D_1 & D_2 \end{bmatrix} \begin{bmatrix} h_1 \\ h_2 \end{bmatrix} + \begin{bmatrix} z_1 \\ z_2 \end{bmatrix} \quad (18)$$

where the matrices D_i and \tilde{D}_i (for $i=1, 2$) are convolution matrices for d_i and \tilde{d}_i , respectively, of dimension $(N_t-L+1) \times L$. Recalling from equation (8) that MMSE is achieved if and only if $D^H D$ has zeros off the diagonal; i.e.,

$$-\tilde{D}_1^T \tilde{D}_2^* + (D_2^*)^T D_1 = 0 \quad (19)$$

and

$$-\tilde{D}_2^T \tilde{D}_1^* + (D_1^*)^T D_2 = 0, \quad (20)$$

and identity matrices on the diagonal; i.e.,

$$\tilde{D}_2^T \tilde{D}_2^* + (D_1^*)^T D_1 = 2(N_t - L + 1)I_L \quad (21)$$

and

$$\tilde{D}_1^T \tilde{D}_1^* + (D_2^*)^T D_2 = 2(N_t - L + 1)I_L. \quad (22)$$

Various arrangements that interrelate sequences d_1 and d_2 can be found that meet the above requirement. By way of example (and not by way of limitation), a number of simple choices satisfy these conditions follow.

(1) $(D_1^*)^T D_1 = (N_t - L + 1)I_L$, $\tilde{D}_1 = D_1$, and $D_2 = D_1$. To show that equation (21) holds, one may note that $\tilde{D}_2^T \tilde{D}_2^*$ (the first term in the equation) becomes $D_1^T D_1^*$, but if $(D_1^*)^T D_1$ is a diagonal matrix then so is $\tilde{D}_2^T \tilde{D}_2^*$. Thus, according to this training sequence embodiment, one needs to only identify a sequence d_1 that is symmetric about its center, with an impulse-like autocorrelation function, and set d_2 equal to d_1 . This is shown in FIG. 7.

(2) $(D_1^*)^T D_1 = (N_t - L + 1)I_L$, and $\tilde{D}_2 = D_1$. To show that equation (21) holds, one may note that the $\tilde{D}_2^T \tilde{D}_2^*$ first term in the equation also becomes $D_1^T D_1^*$. Thus, according to this training sequence embodiment, one needs to only identify a sequence d_1 with an impulse-like autocorrelation function, and set d_2 equal to \tilde{d}_1 . This is shown in FIG. 8.

(3) $(D_1^*)^T D_1 = (N_t - L + 1)I_L$, and $\tilde{D}_2^* = D_1$. To show that equation (21) holds, one may note that the $\tilde{D}_2^T \tilde{D}_2^*$ first term in the equation becomes $(D_1^*)^T D_1$. Thus, according to this training sequence embodiment, one needs to only identify a sequence d_1 with an impulse-like autocorrelation function, and set d_2 equal to \tilde{d}_1^* . This is shown in FIG. 9.

Training Sequences Employing Trellis Coding

Consider a trellis code with m memory elements and outputs from a constellation of size C , over a single channel with memory $2^m C^{(L-1)}$. To perform joint equalization and decoding one needs a product trellis with $2^m C^{(L-1)}$ states. For a space-time trellis code with m memory elements, n transmit

antennas and one receive antenna, over a channel with memory $(L-1)$, one needs a product trellis with $2^m C^{n(L-1)}$.

The receiver can incorporate the space-time trellis code structure in the channel model to create an equivalent single-input, single output channel, h_{eq} , of length $m+L$. The trellis, in such a case, involves $C^{(m+L-1)}$ states. The approach disclosed herein uses a single training sequence at the input of the space-time trellis encoder to directly estimate h_{eq} used by the joint space-time equalizer/decoder. The channel h_{eq} that incorporates the space-time code structure typically has a longer memory than the channel h_1 and h_2 (in a system where there are two transmitting antennas and one receiving antenna).

To illustrate, assume an encoder 30 as depicted in FIG. 10 that employs an 8-PSK constellation of symbols to encode data from a training sequence generator into a sequence s of symbols taken from the set $e^{i2\pi p_k/8}$, $p_k=0,1,2,\dots,7$, where the training sequences s_1 and s_2 are algorithmically derived within encoder 30 from sequence s . Specifically, assume that $s_1(k)=s(k)$, and that $s_2(k)=(-1)^{p_k-1}s(k-1)$, which means that $s_2(k)=s(k-1)$ when $s(k-1)$ is an even member of the constellation (e^{i0} , $e^{i\pi/2}$, $e^{i\pi}$, and $e^{i3\pi/2}$), and $s_2(k)=-s(k-1)$ when $s(k-1)$ is an odd member of the constellation.

With such an arrangement, the received signal at time k can be expressed as

$$y(k) = \sum_{i=0}^{L-1} h_1(i)s(k-i) + \sum_{i=0}^{L-1} h_2(i,k)(-1)^{p_{k-i-1}}s(k-i-1) + z(k) = \sum_{i=0}^{L-1} h_{eq}(i)s(k-i) + z(k), \quad (23)$$

where

$$h_{eq}(i,k) = \begin{cases} h_1(0) & \text{for } i=0 \\ h_1(i) + (-1)^{p_{k-i}}h_2(i-1) & \text{for } 0 < i < L \\ (-1)^{p_{k-L}}h_2(L-1) & \text{for } i=L. \end{cases} \quad (24)$$

A block of received signals (corresponding to the useful portion of the training sequence block) can be expressed in matrix form by

$$y = S h_{eq} + z \quad (25)$$

where

$$S = \begin{bmatrix} s(L) & s(L-1) & \cdots & s(0) \\ s(L+1) & s(L) & \cdots & s(1) \\ \vdots & \vdots & & \vdots \\ s(N_t-1) & s(N_t-2) & \cdots & s(N_t-L-1) \end{bmatrix} \begin{bmatrix} h_{eq}(0,L) \\ h_{eq}(1,L+1) \\ \vdots \\ h_{eq}(L,N_t-1) \end{bmatrix} \quad (26)$$

and following the principles disclosed above, it can be realized that when the training sequence is properly selected so that $S^H S$ is a diagonal matrix, i.e., $S^H S = (N_t - L)I_{L+1}$, an estimate of h_{eq} that is, \hat{h}_{eq} , is obtained from

$$\hat{h}_{eq} = \frac{S^H y}{(N_t - L)}. \quad (27)$$

11

A sequence s of length N_t is called L-perfect if the corresponding training matrix S of dimension $(N_t-L+1) \times L$ satisfies equation (8). Thus, an L-perfect sequence of length N_t is optimal for a channel with L taps. It can be shown that the length N_t of an L-perfect sequence from a 2^p -alphabet can only be equal to

$$N_t = \begin{cases} 2(L+i) & \text{for } L = \text{odd} \\ 2(L+i)-1 & \text{for } L = \text{even} \end{cases} \text{ for } i = 0, 1, \dots, \quad (33)$$

which is a necessary, but not sufficient, condition for L-perfect sequences of length N_t . Table 3 shows the minimum necessary N_t for $L=2, 3, \dots, 10$, the size of the corresponding matrix S , and the results of an exhaustive search for L-perfect sequences (indicating the number of such sequences that were found). Cell entries marked "x" indicate that sequences exist, but number of such sequences it is not known.

TABLE 3

	L								
	2	3	4	5	6	7	8	9	10
N_t	3	6	7	10	11	14	15	18	19
S	2×2	4×3	4×4	6×5	6×6	8×7	8×8	10×9	10×10
BPSK	4	8	8	—	—	—	—	—	—
QPSK	16	64	64	—	—	128	—	x	—
8-PSK	64	512	512	—	—	x	—	x	—

It is known that with a PRUS of a given length, N_{PRUS} , one can estimate up to $L=N_{PRUS}$ unknowns. It can be shown that a training sequence of length N_t is also an L-perfect training sequence if

$$N_t = kN_{PRUS} + L - 1 \text{ and } k \geq 1. \quad (34)$$

Accordingly, an L-perfect sequence of length $kN_{PRUS} + L - 1$ can be constructed by selecting an N_{PRUS} sequence, repeating it k times, and circularly extending it by $L-1$ symbols. Restated and amplified somewhat, for a selected PRUS of a given N_{PRUS} , i.e.,

$$s_p(N_{PRUS}) = [s_p(0)s_p(1) \dots s_p(N_{PRUS} - 1)], \quad (35)$$

the L-perfect sequence of length $kN_{PRUS} + L - 1$ is created from a concatenation of k $s_p(N_{PRUS})$ sequences followed by the first $L-1$ symbols of $s_p(N_{PRUS})$, or from a concatenation of the last $L-1$ symbols of $s_p(N_{PRUS})$ followed by k $s_p(N_{PRUS})$ sequences.

To illustrate, assume that the number of channel "taps" that need to be estimated, L , is 5, and that a QPSK alphabet is desired to be used. From the above it is known that N_{PRUS} must be equal to or greater than 5, and from Table 2 it is known that the smallest N_{PRUS} that can be found for QPSK that is larger than 5 is $N_{PRUS}=8$. Employing equation (34) yields

$$\begin{aligned} N_t &= kN_{PRUS} + L - 1 \\ &= k \cdot 8 + 5 - 1 \\ &= 12, 20, 28, \dots \end{aligned} \quad (36)$$

for $k = 1, 2, 3, \dots$

While an L-perfect training sequence cannot be constructed from PRUS sequences for values of N_t other than

12

values derived by operation of equation (34), it is known that, nevertheless, L-perfect sequences may exist. The only problem is that it may be prohibitively difficult to find them. However, in accordance with the approach disclosed below, sub-optimal solutions are possible to create quite easily.

If it is given that the training sequence is N_t long, one can express this length by

$$N_t = kN_{PRUS} + L - 1 + M, \text{ where } M > 0 \quad (37)$$

In accord with our approach, select a value of $N_{PRUS} \geq L$ that minimizes M , create a sequence of length $kN_{PRUS} + L - 1$ as disclosed above, and then extend that sequence by adding M symbols. The M added symbols can be found by selecting, through an exhaustive search, the symbols that lead to the lowest estimation MSE. Alternatively, select a value of $N_{PRUS} \geq L$ that minimizes M' in the equation,

$$N_t = kN_{PRUS} + L - 1 - M', \text{ where } M' > 0 \quad (38)$$

create a sequence of length $kN_{PRUS} + L - 1$ as disclosed above, and then drop the last (or first) M' symbols.

The receiver shown in FIG. 2 includes the channel estimator 22, which takes the received signal and multiplies it S^H as appropriate; see equation (12), above.

We claim:

1. A space-time diversity transmitter that includes (a) n transmitting antennas, where n is greater than one, (b) first encoder responsive to an applied information bit stream, said encoder developing n symbol streams, and (c) a constellation mapper responsive to said n symbol streams, for mapping symbols of each of said n symbol streams into a standard signal constellation to create a corresponding mapped stream, said constellation mapper applying each of the created n mapped streams to a different one of said n antennas in blocks of N_t mapped symbols that are synchronized in time to each other, the improvement comprising:

a training generator for generating either n sequences of signals or a sequence of signals that contains n subsequences of signal;

a second encoder for creating n training symbol sequences from said signals created by said training generator, each containing N_t symbols, where N_t represents a training sequence length; and

said constellation mapper is configured to map said n training symbol sequences onto a standard constellation to develop n mapped training sequences, and to apply the n mapped training sequences to said n antennas at times when said constellation mapper stops applying said n mapped stream to said n antennas;

where said n training symbol sequences have an impulse-like autocorrelation function and zero cross correlation.

2. The transmitter of claim 1 where said n training symbol sequences are selected to enable a receiver that receives said n training symbol sequences to determine characteristics of a medium through which said n antennas communicate to said receiver.

[3. The transmitter of claim 2 where said n training sequences have a common length N_t that is related to transmitted symbols memory, $L-1$, of said medium, N_t being at least equal to $2L-1$.]

4. The transmitter of claim 1 where said constellation mapper employs a constellation taken from a set that includes binary phase shift keying (BPSK), quadrature phase shift keying (QPSK), and 8-point phase shift keying (8-PSK).

5. The transmitter of claim 1 where $n=2$, said generator creates a sequence s composed of sequence d_1 followed by sequence d_2 , and said second encoder creates a first training sequence that is $-d_1$ concatenated with d_2^* , and a second

13

sequence that is d_2 concatenated with d_1^* where \tilde{d}_2^* corresponds to the sequence d_2 with its elements in reverse order and converted to their respective complex conjugates, and the sequence d_1^* corresponds to the sequence d_1 with its elements converted to their complex conjugate values.

6. The transmitter of claim 5 where said sequence d_1 and said sequence d_2 contain $[N_t/2] N_t$ symbols each, where N_t is related to number of channel parameters, L , that a receiver which seeks to receive signals from an antenna of said transmitter estimates].

7. The transmitter of claim 1 where $n=2$, said generator creates a sequence d , and said second encoder creates a first training sequence that is $-d$ concatenated with \tilde{d}^* , and a second sequence that is d concatenated with d^* , where the sequence d^* corresponds to the sequence d with its elements converted to their complex conjugate values and the sequence \tilde{d}^* corresponds to the sequence d with its elements in reverse order and converted to their respective complex conjugate values.

8. The transmitter of claim 1 where $[n2] n=2$, said generator creates a sequence d , and said second encoder creates a first training sequence that is $-d$ concatenated with \tilde{d}^* , and a second sequence that is \tilde{d} concatenated with d^* , where the sequence d^* corresponds to the sequence d with its elements converted to their complex conjugate values and the sequence \tilde{d}^* corresponds to the sequence d with its elements in reverse order and converted to their respective complex conjugate values.

9. The transmitter of claim 1 where $n=2$, said generator creates a sequence d , and said second encoder creates a first training sequence that is $-d$ concatenated with d , and a second sequence that is \tilde{d}^* concatenated with d^* , where the sequence d^* corresponds to the sequence d with its elements converted to their complex conjugate values and the sequence \tilde{d}^* corresponds to the sequence d with its elements in reverse order and converted to their respective complex conjugate values.

10. The transmitter of claim 1 where said first encoder and said second encoder embodied in a single module that creates either said n symbol streams or said n training *symbol* sequences.

11. The transmitter of claim 1 where said second encoder is a trellis encoder.

[12. The transmitter of claim 11 where

(a) said n training sequences are selected to enable a receiver that receives said n training sequences to determine characteristics of a transmission medium between said transmitter and said receiver, and

(b) said generator develops said symbols sequence to comprise $N_t+(n-2)L+m$ symbols long, where L is the number of channel parameters that describe a channel within said transmission medium from one of said n transmitter antennas to a receiving antenna of said receiver, m is number of symbols stored in a memory of said trellis encoder, and N_t is not less than $2L-1$.]

13. The transmitter of claim 11 where said training sequence mapper employs symbols from a set composed of elements $e^{i2\pi p_k/8}$, $p_k=0,1,2, \dots, 7$.

14. The transmitter of claim 13 where said generator develops a symbols sequence $s(k)$, and said second encoder develops a first sequence $s_1(k)=s(k)$, and a second sequence $s_2(k)=(-1)^{p_{k-1}}s(k-1)$.

14

15. The transmitter of claim 14 where said sequence $s(k)$ is composed of a first segment, s_{even} , that comprises symbols from a set composed of $e^{i2\pi p_k/8}$, $p_k=0, 2, 4, 6$, and a second segment, s_{odd} , where $s_{odd}=\alpha s_{even}$, and $\alpha=e^{i\pi k/4}$ for any $k=1, 3, 5, 7$.

16. The transmitter of claim 15 where said s_{even} , and a corresponding α are any one of the following:

S_{even}	α
-1 1 1 1 1 -1 -1 -1 1 1 -1 1 1	$\exp(i5\pi/4)$
1 1 -1 1 1 1 1 -1 -1 -1 -1 1	$\exp(i3\pi/4)$
1 -1 -1 -1 1 1 1 -1 -1 1 1 1	$\exp(i\pi/4)$
1 -1 -1 -1 1 -1 1 -1 -1 -1 1 1	$\exp(i\pi/4)$
1 1 1 1 1 -1 -1 1 1 -1 1 1 1	$\exp(i\pi/4)$
1 1 1 1 -1 -1 1 -1 -1 1 1 1 1	$\exp(i3\pi/4)$
1 -1 1 1 -1 -1 -1 -1 1 1 -1 1	$\exp(i7\pi/4)$
1 -1 1 -1 1 1 -1 -1 1 1 1 -1 1	$\exp(i5\pi/4)$
-1 1 1 1 -1 -1 -1 -1 -1 1 1 1 1	$\exp(i3\pi/4)$
-1 1 -1 -1 1 1 -1 1 1 1 1 -1 1	$\exp(i7\pi/4)$
-1 -1 -1 1 1 1 -1 -1 1 1 1 1 1	$\exp(i\pi/4)$
-1 -1 -1 1 -1 1 -1 -1 -1 1 1 1 1	$\exp(i3\pi/4)$

17. A space-time diversity transmitter that includes (a) n transmitting antennas, where n is greater than one, (b) first encoder responsive to an applied information bit stream, said encoder developing n symbol streams, and (c) a constellation mapper responsive to said n symbol streams, for mapping symbols of each of said n symbol streams into a standard signal constellation to create a corresponding mapped stream, said constellation mapper applying each of the created n mapped streams to a different one of said n antennas in blocks of N_t mapped symbols that are synchronized in time to each other, the improvement comprising:

a training generator for generating either n sequences of signals or a sequence of signals that contains n subsequences of signal;

a second encoder for creating n training symbol sequences from said signals created by said training generator, each containing N_t symbols, where N_t represents a training sequence length; and

said constellation mapper is configured to map said n training sequences onto a standard constellation to develop n mapped training sequences, and to apply the n mapped training sequences to said n antennas at times when said constellation mapper stops applying said n mapped stream to said n antennas;

where said n training sequences have an impulse-like auto-correlation function and zero cross correlation, and where $[n2] n=2$, said generator creates a sequence s , and said second encoder creates a first training sequence that is equal to $-s$ concatenated with s , and a second training sequence that is equal to s concatenated with s .

18. The transmitter of claim 17 where said sequence s contains $N_t/2$ symbols, where N_t is related to number of channel parameters, L , that a receiver which seeks to receive signals from an antenna of said transmitter estimates].

* * * * *