

US00RE44784E

(19) **United States**
(12) **Reissued Patent**
Huang et al.

(10) **Patent Number:** **US RE44,784 E**
(45) **Date of Reissued Patent:** **Mar. 4, 2014**

(54) **DANCE POLE**
(75) Inventors: **Jian Guo Huang**, Guangdong (CN); **Fox Marshall**, London (GB)
(73) Assignee: **DPDP, LLC**, Reston, VA (US)
(21) Appl. No.: **29/400,096**
(22) Filed: **Aug. 23, 2011**

Primary Examiner — Phillip S Hyder
(74) *Attorney, Agent, or Firm* — The Marbury Law Group, PLLC

(57) **CLAIM**
The ornamental design of a dance pole, as shown and described.

Related U.S. Patent Documents

Reissue of:
(64) Patent No.: **Des. 561,274**
Issued: **Feb. 5, 2008**
Appl. No.: **29/223,318**
Filed: **Feb. 11, 2005**

DESCRIPTION

FIG. 1 is a side elevational view of a dance pole showing my new design with the dance pole being shown in a retracted state;
FIG. 2 is a top plan view thereof;
FIG. 3 is a bottom plan view thereof;
FIG. 4 is a perspective view thereof;
FIG. 5 is a perspective view thereof with the dance pole being shown in an extended state;
FIG. 6 is a side elevational view of the dance pole shown in an extended state;
FIG. 7 is an enlarged perspective view of three segments of the dance pole shown as being separated from each other;
FIG. 8 is an enlarged side view of the segments of the dance pole of FIG. 7;
FIG. 9 is a top plan view of the segments of the dance pole of FIG. 8;
FIG. 10 is a bottom plan view of the segments of the dance pole of FIG. 8;
FIG. 11 is an enlarged perspective view of the segments of the dance pole of FIG. 7 with the top segment being shown in an extended state;
FIG. 12 is an enlarged side elevational view of the segments of the dance pole of FIG. 7 with the top segment being shown in an extended state; and,
FIG. 13 is a greatly enlarged fragmentary perspective view of a top portion of the dance pole of FIG. 1.

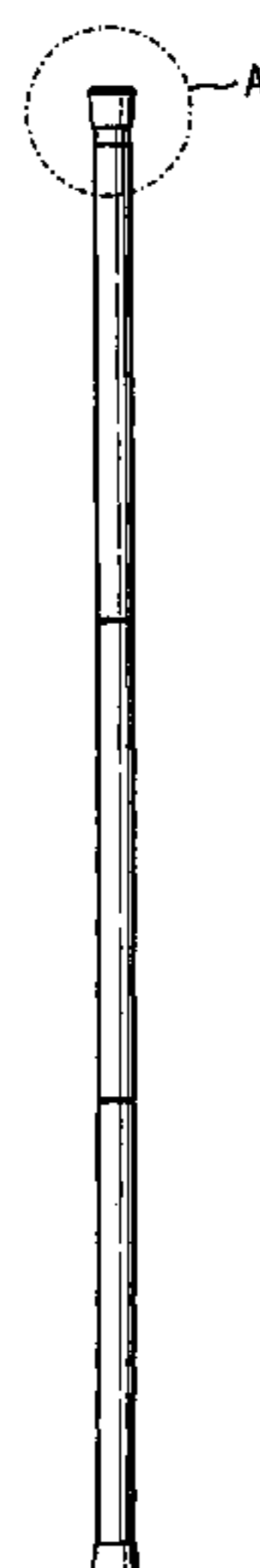
(30) **Foreign Application Priority Data**
Aug. 12, 2004 (GB) 3018413
(51) **LOC (10) Cl.** **21-02**
(52) **U.S. Cl.**
USPC **D21/679**
(58) **Field of Classification Search**
USPC D21/662, 679, 691; D25/126; 482/148,
482/121, 122, 126, 51
See application file for complete search history.

(56) **References Cited**
U.S. PATENT DOCUMENTS
4,824,302 A * 4/1989 Schultheis et al. 410/151
5,281,063 A * 1/1994 Austin, III 410/151
D407,770 S 4/1999 Thomas
5,944,464 A * 8/1999 Cole, Jr. 410/153
5,971,891 A 10/1999 Humphrey
6,321,823 B1 * 11/2001 Whittemore 160/368.1
6,436,019 B1 8/2002 Hollowell
D471,650 S 3/2003 Dani
D485,869 S 1/2004 Miletich
6,689,030 B1 2/2004 Leslie
6,824,000 B2 * 11/2004 Samelson 211/105.3
2004/0220031 A1 11/2004 Blacker
2007/0293372 A1 * 12/2007 Kessler 482/51

* cited by examiner

1 Claim, 10 Drawing Sheets

Matter enclosed in heavy brackets [] appears in the original patent but forms no part of this reissue; matter printed in italics indicates the additions made by reissue.



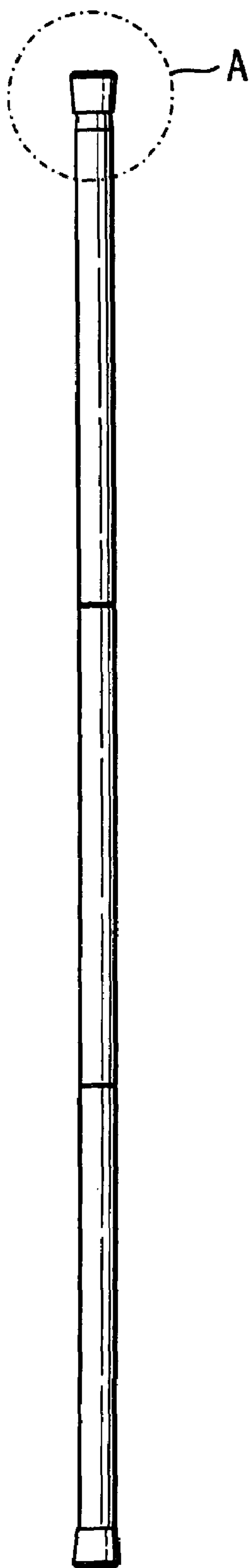


FIG. 1

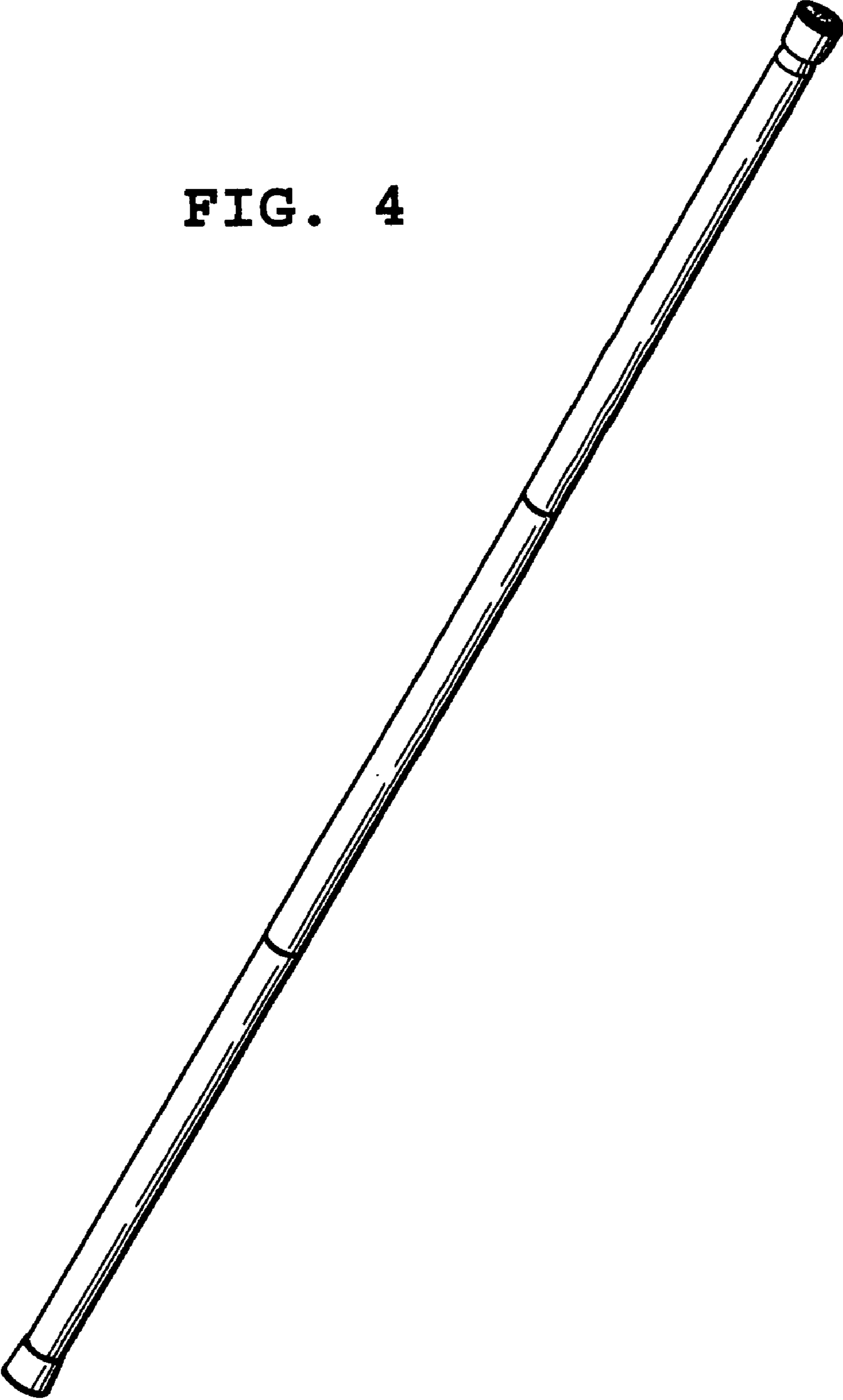


FIG. 2



FIG. 3

FIG. 4



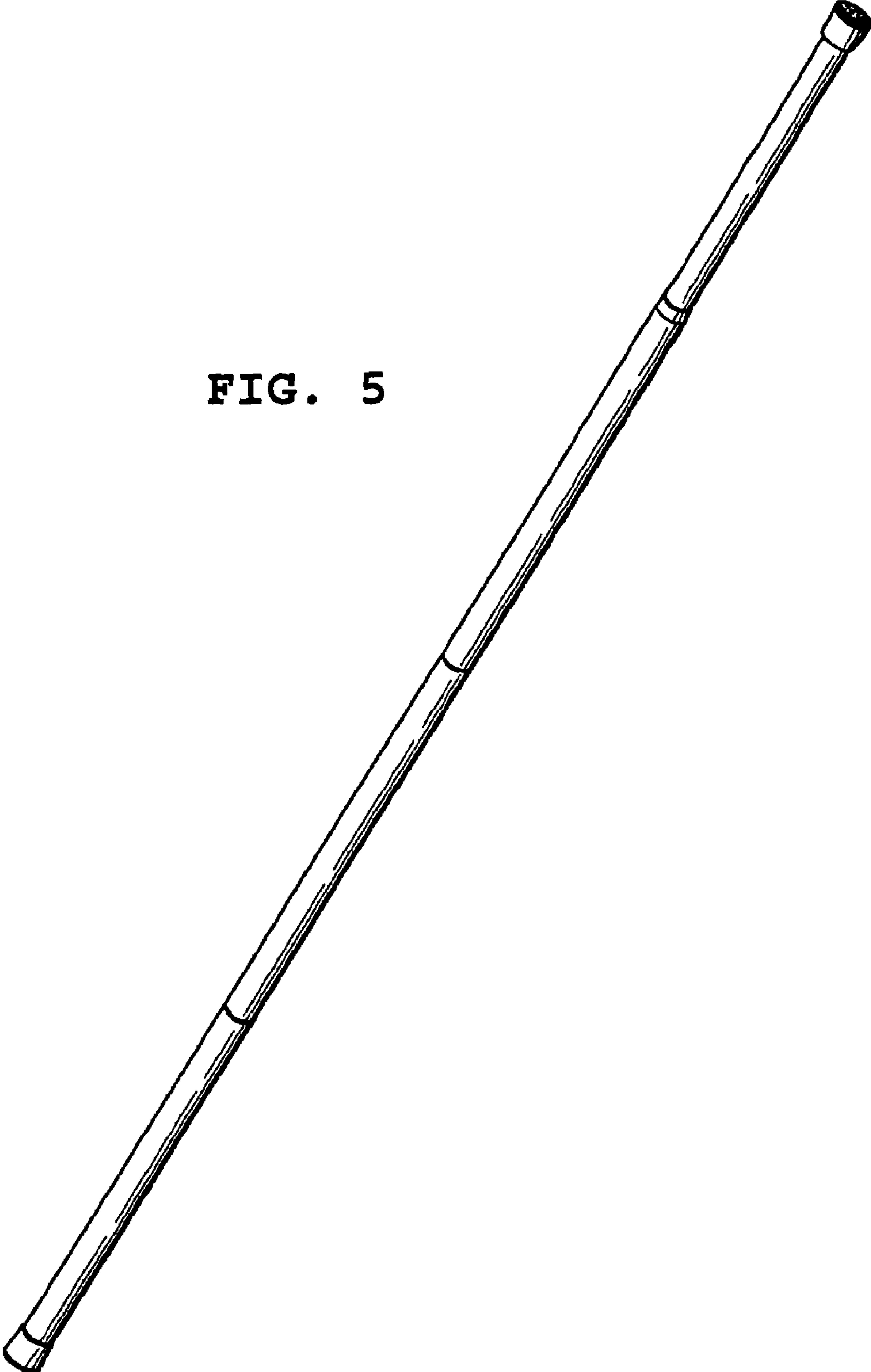


FIG. 5

FIG. 6



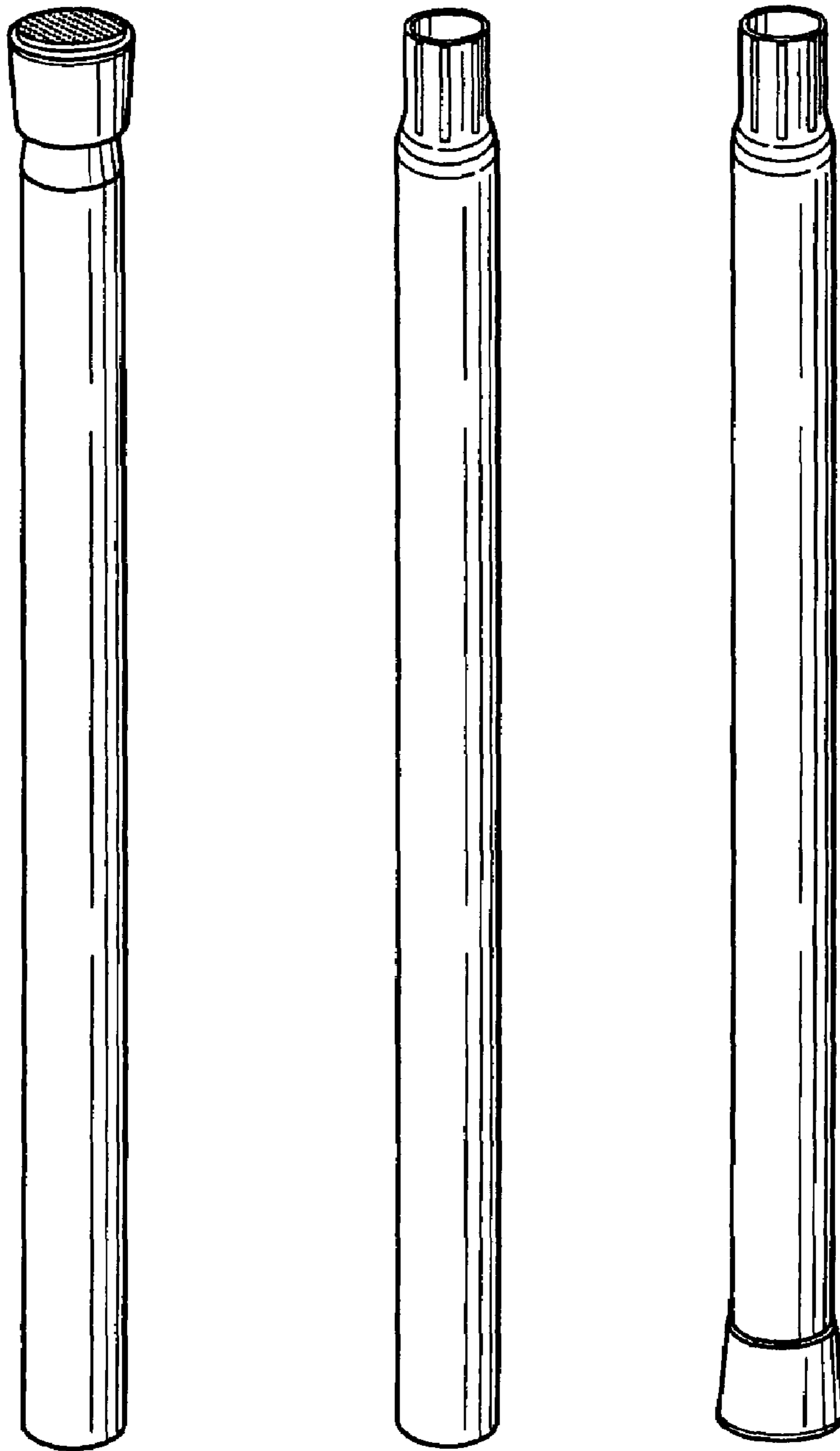


FIG. 7

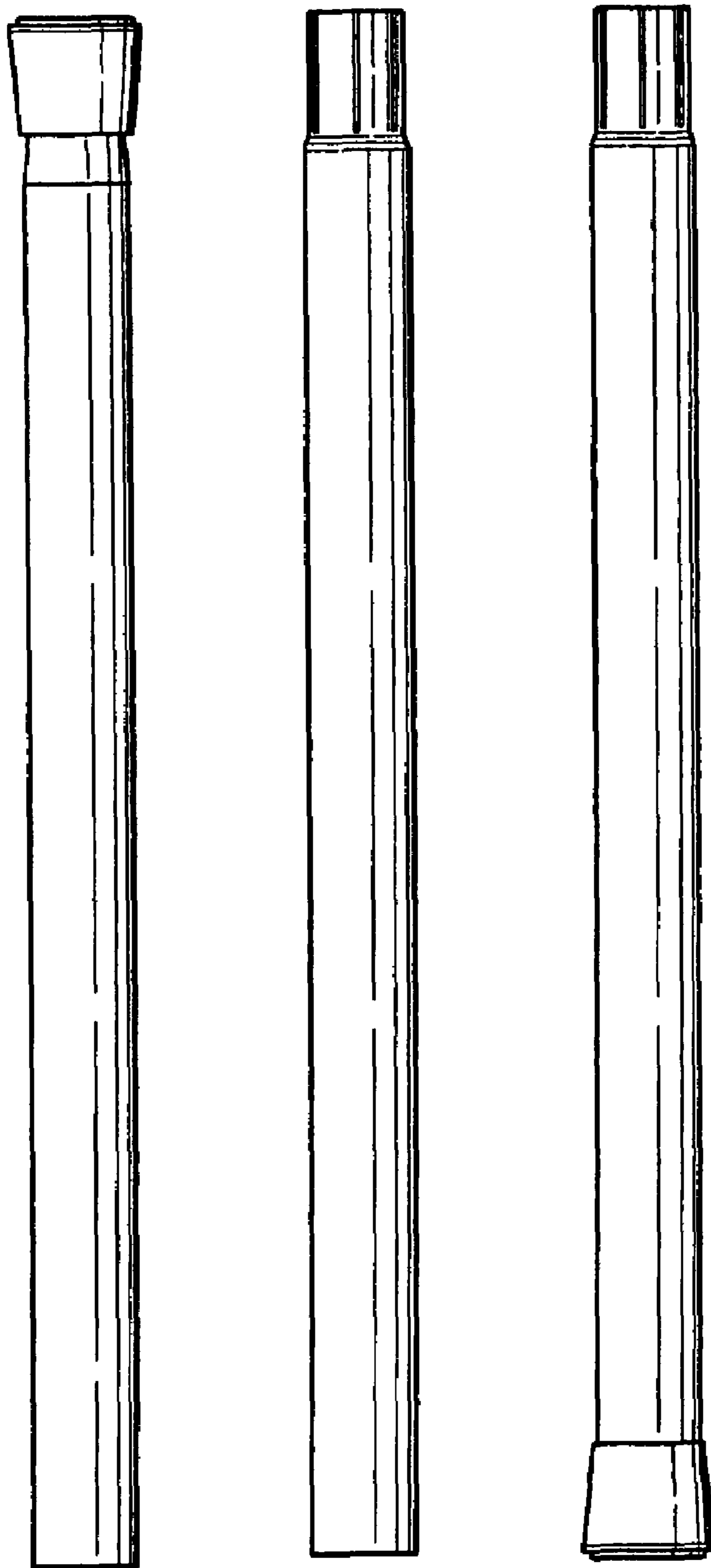


FIG. 8

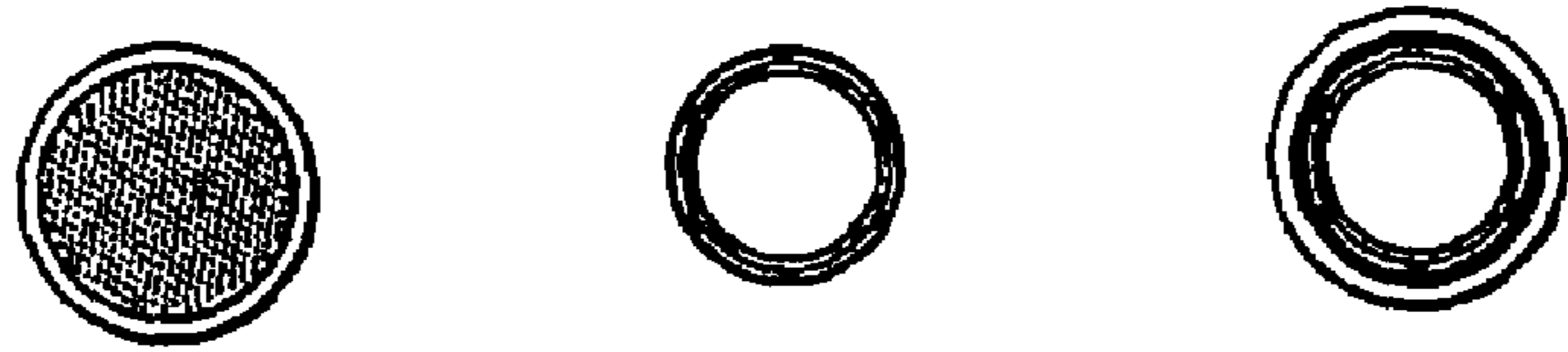


FIG. 9

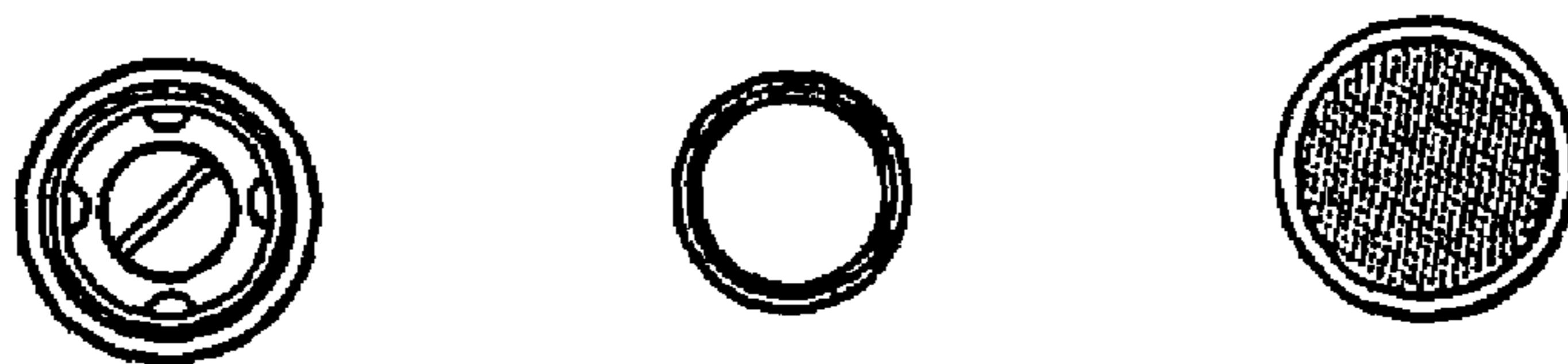


FIG. 10

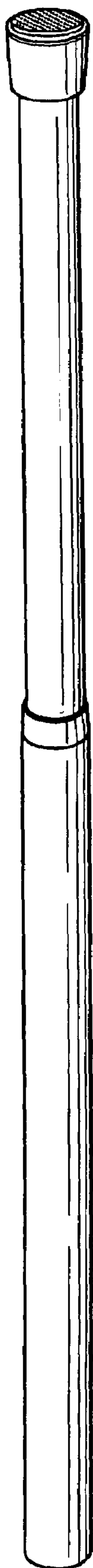
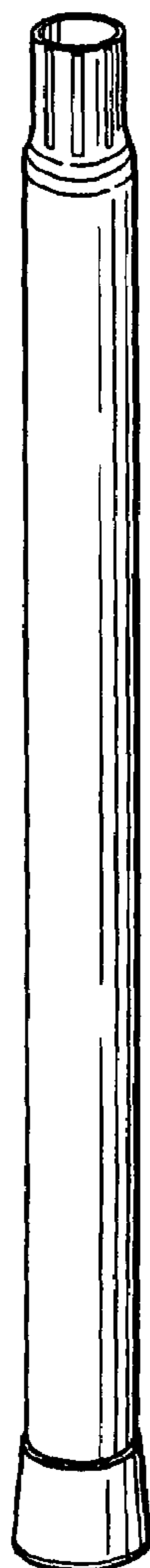


FIG. 11



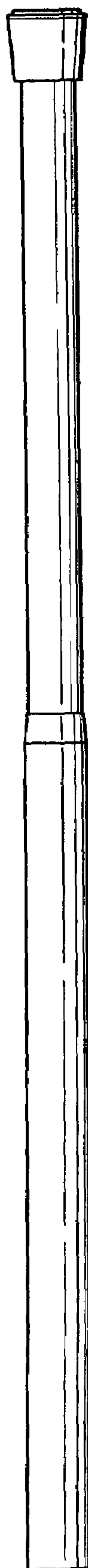
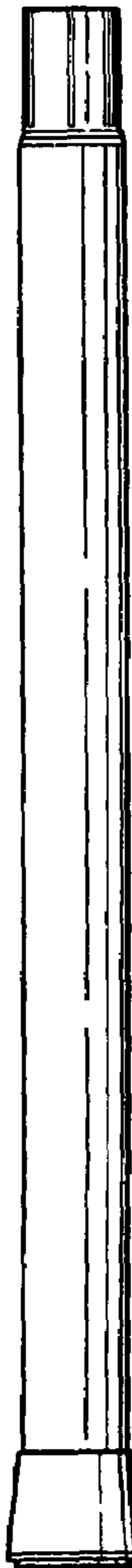


FIG. 12



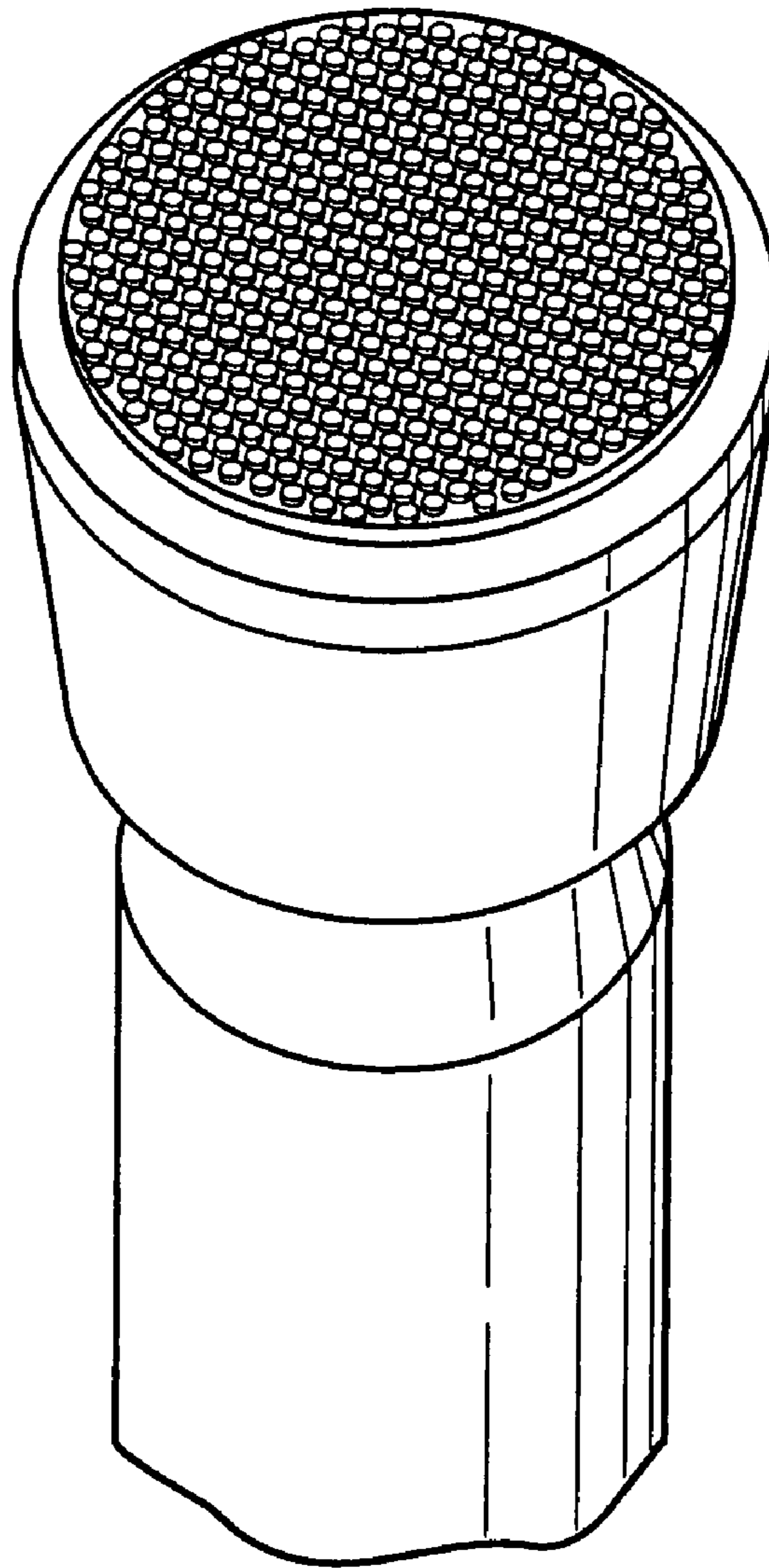


FIG. 13