

US00RE44780E

(19) **United States**
(12) **Reissued Patent**
Wilson et al.

(10) **Patent Number:** **US RE44,780 E**
(45) **Date of Reissued Patent:** **Feb. 25, 2014**

(54) **SYSTEM AND METHOD FOR CALCULATING OPTIMAL RATES IN A MULTI-SOURCE PRICE ENGINE IN OVER THE COUNTER MARKETS**

(75) Inventors: **Kelly J. F. Wilson**, Vancouver (CA);
Cary D. Rosenwald, New York, NY (US);
Sean M. Gilman, Rye, NY (US);
Richard Hartheimer, Kilcock (IE)

(73) Assignee: **Currenex, Inc.**, New York, NY (US)

(21) Appl. No.: **13/197,209**

(22) Filed: **Aug. 3, 2011**

6,108,639	A	8/2000	Walker et al.	
6,347,307	B1	2/2002	Sandhu et al.	
6,493,682	B1	12/2002	Horrigan et al.	
6,944,599	B1	9/2005	Vogel et al.	
6,985,883	B1	1/2006	Togher et al.	
6,996,541	B2	2/2006	Togher et al.	
7,003,488	B2	2/2006	Dunne et al.	
7,024,386	B1	4/2006	Mills et al.	
7,627,520	B2	12/2009	Wilson et al.	
7,882,011	B2	2/2011	Sandhu et al.	
2003/0033212	A1	2/2003	Sandhu et al.	
2003/0208430	A1*	11/2003	Gershon	705/36
2005/0027634	A1	2/2005	Gershon	
2005/0228741	A1	10/2005	Leibowitz	
2006/0167783	A1*	7/2006	Riseman et al.	705/37
2011/0106688	A1	5/2011	Sandhu et al.	

* cited by examiner

Related U.S. Patent Documents

Reissue of:

(64) Patent No.: **7,627,520**
Issued: **Dec. 1, 2009**
Appl. No.: **11/582,448**
Filed: **Oct. 18, 2006**

(51) **Int. Cl.**
G06Q 40/00 (2012.01)

(52) **U.S. Cl.**
USPC **705/37; 705/35**

(58) **Field of Classification Search**
USPC **705/37**
See application file for complete search history.

(56) **References Cited**

U.S. PATENT DOCUMENTS

5,375,055 A 12/1994 Togher et al.
6,014,627 A 1/2000 Togher et al.

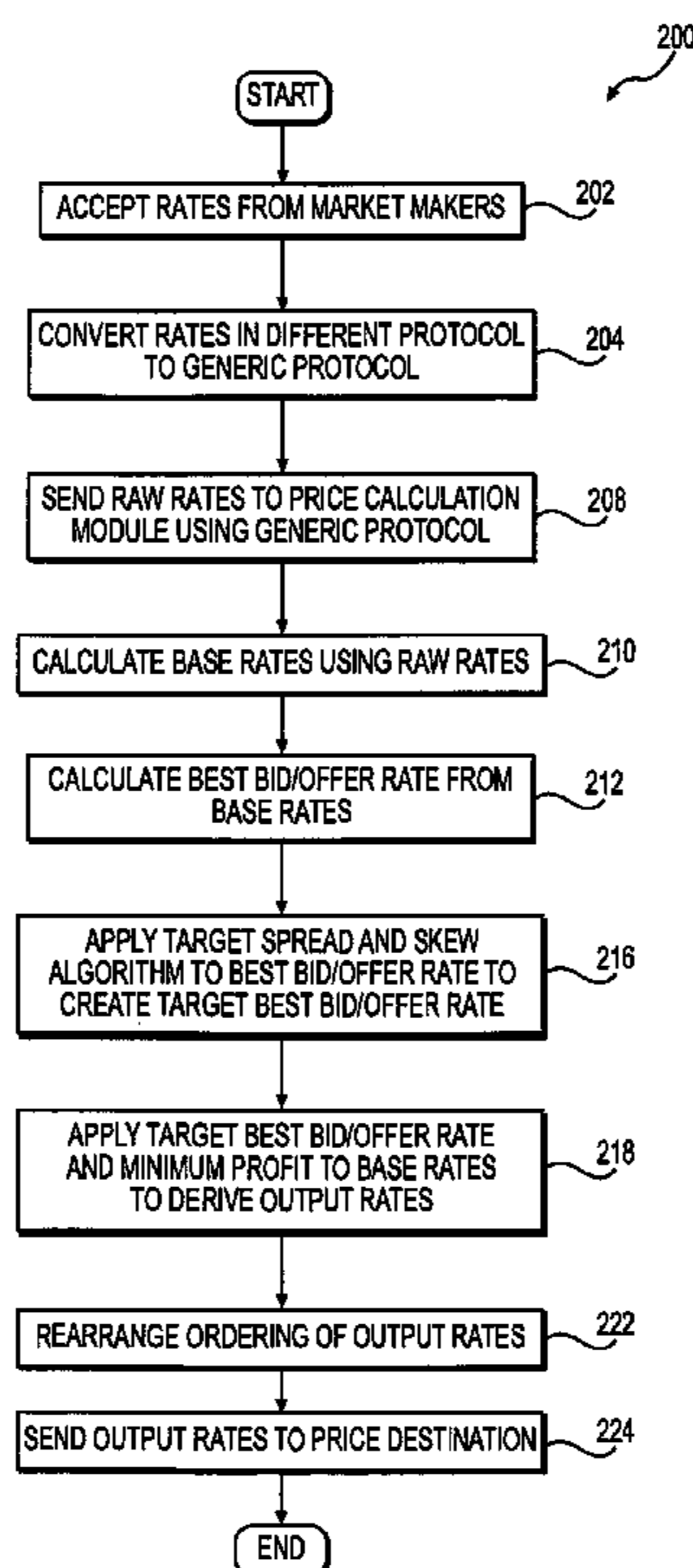
Primary Examiner — James A Vezeris

(74) *Attorney, Agent, or Firm* — Wilmer Cutler Pickering Hale and Dorr LLP

(57) **ABSTRACT**

A system and method calculate an optimal rates in a multi-source price engine in over the counter (OTC) markets. The system and method integrate rates from multiple liquidity sources to generate an output rate that can be transacted upon. Specifically, the system and method calculate a best bid/offer rate from input rates provided by multiple liquidity sources and apply a target spread and minimum profit to the best bid/offer rate to generate an optimal output rate. The optimal output rate may be a function of many factors, including market conditions, customer credit, and the preferences of the market maker or broker.

40 Claims, 3 Drawing Sheets



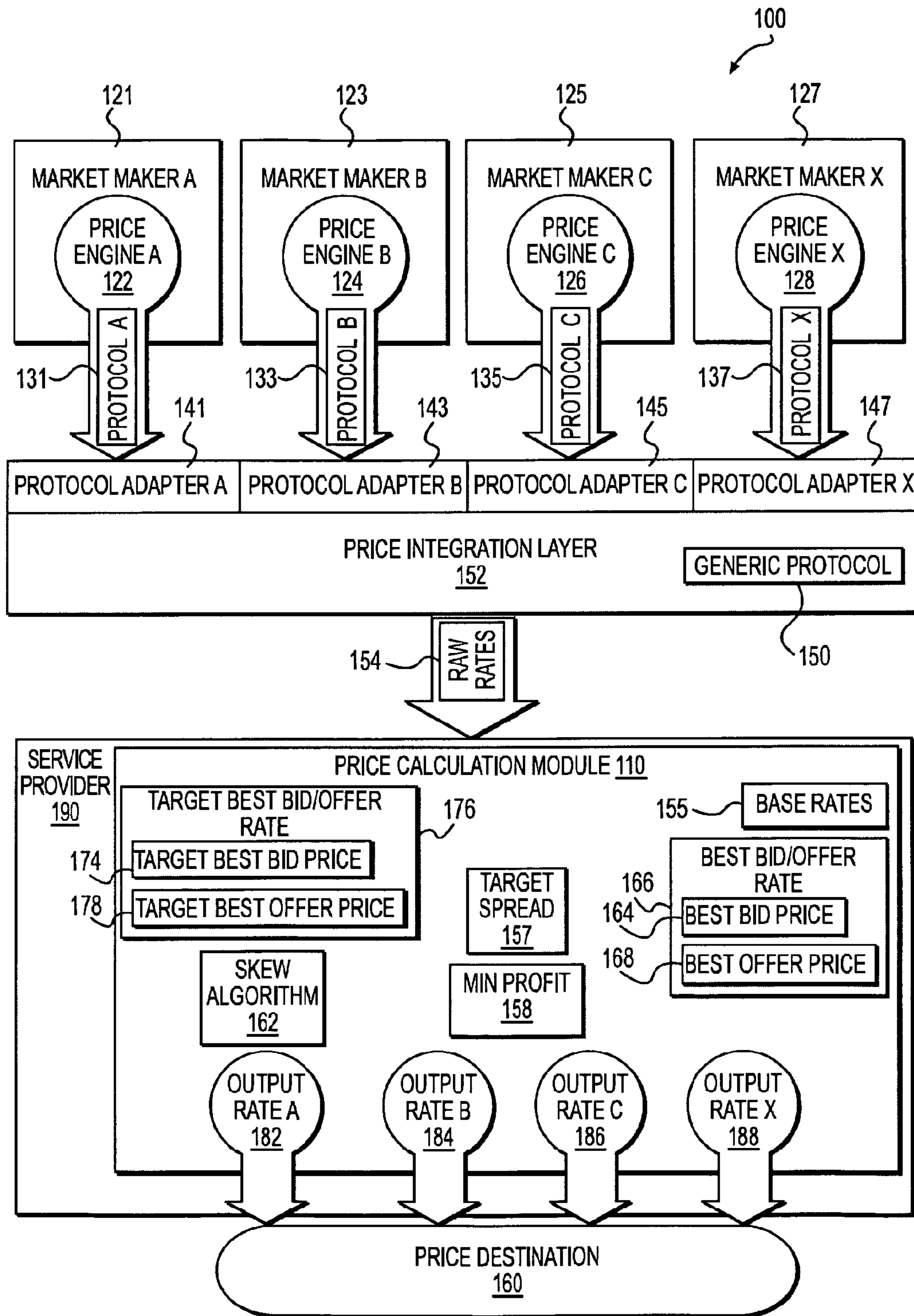


FIG. 1

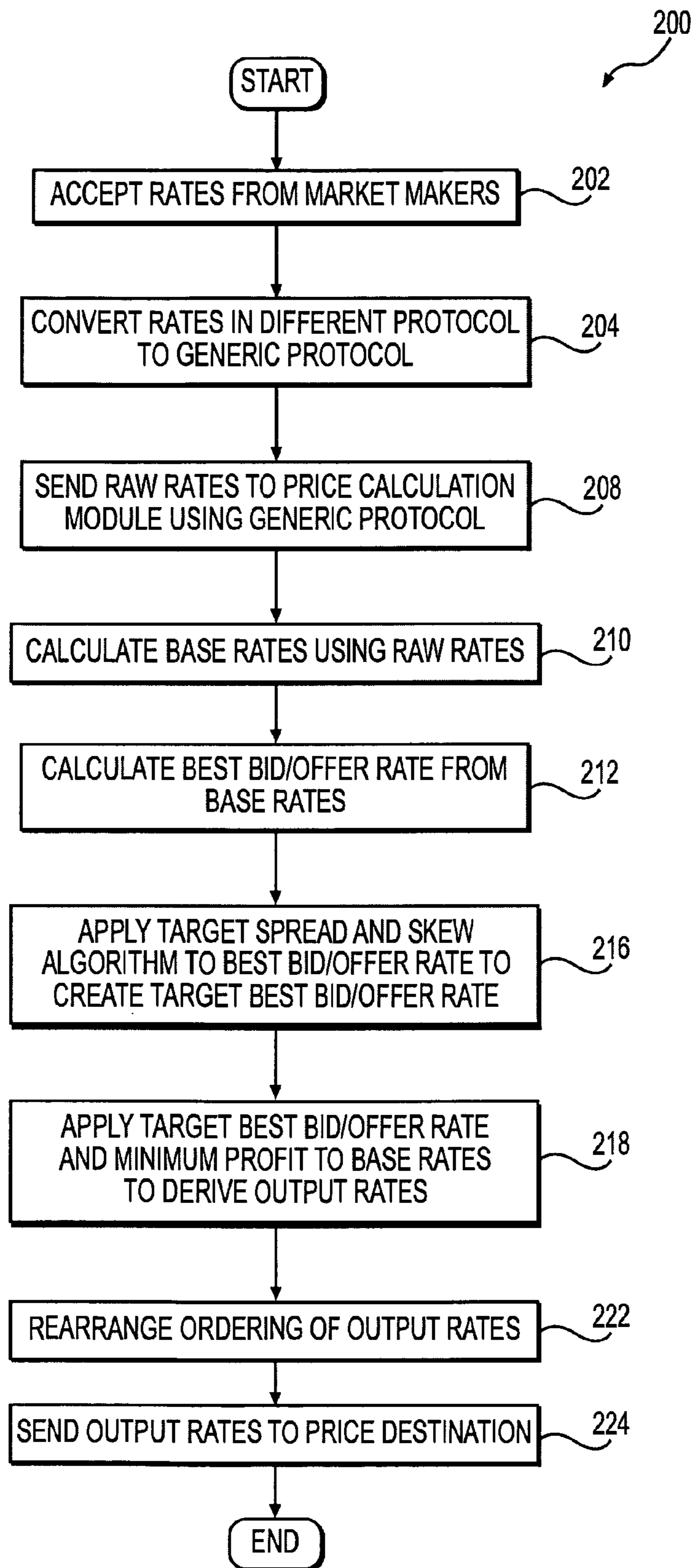


FIG. 2

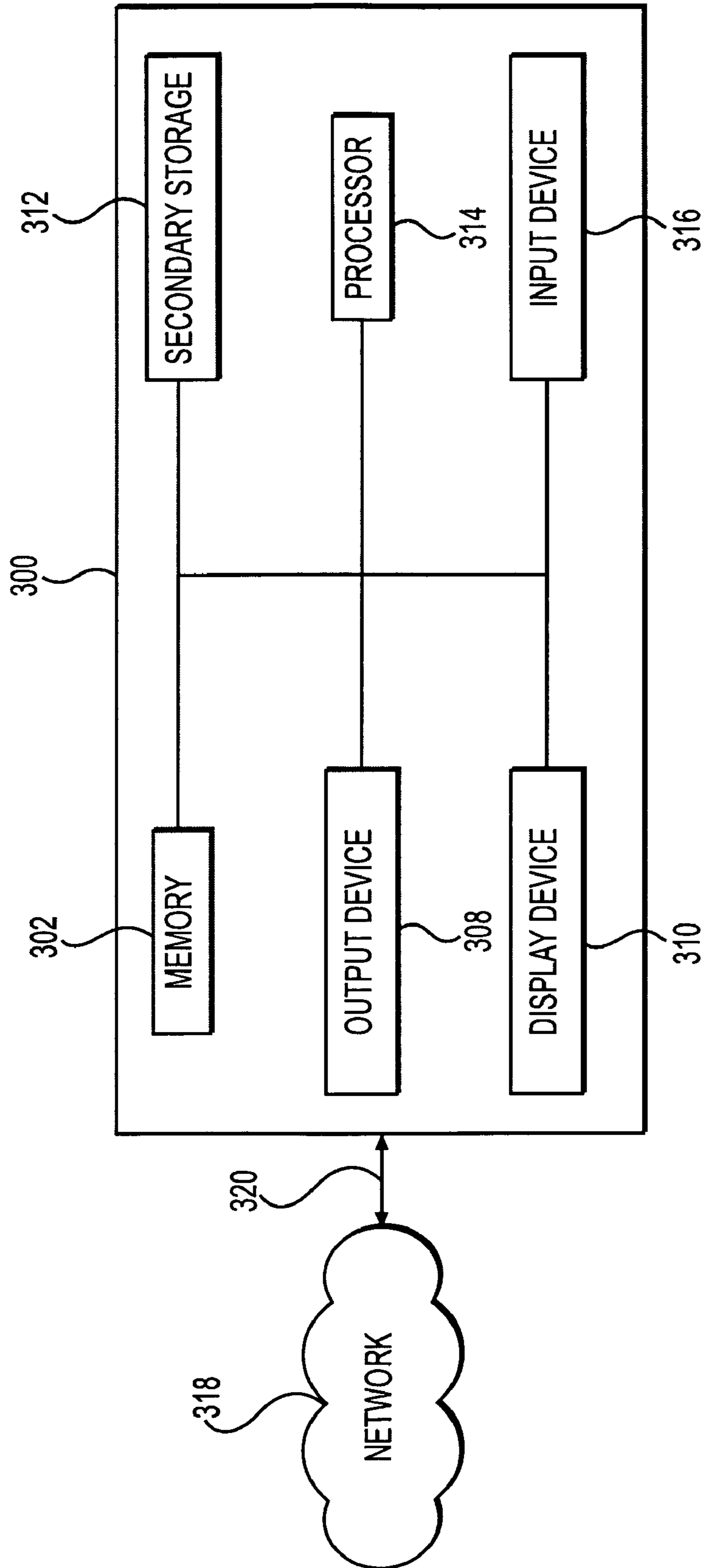


FIG. 3

**SYSTEM AND METHOD FOR CALCULATING
OPTIMAL RATES IN A MULTI-SOURCE
PRICE ENGINE IN OVER THE COUNTER
MARKETS**

Matter enclosed in heavy brackets [] appears in the original patent but forms no part of this reissue specification; matter printed in italics indicates the additions made by reissue.

Notice: More than one reissue application has been filed for the reissue of U.S. Pat. No. 7,627,520. The reissue applications are U.S. application Ser. No. 13/197,209, U.S. application Ser. No. 13/462,521, and U.S. application Ser. No. 13/462,526, all of which are reissues of U.S. Pat. No. 7,627,520.

This application is a Reissue Application of U.S. Pat. No. 7,627,520 issued Dec. 1, 2009, entitled "SYSTEM AND METHOD FOR CALCULATING OPTIMAL RATES IN A MULTI-SOURCED PRICE ENGINE IN OVER-THE-COUNTER MARKETS." This application is related to U.S. application Ser. No. 13/462,521, filed on May 2, 2012, entitled "SYSTEM AND METHOD FOR CALCULATING OPTIMAL RATES IN A MULTI-SOURCED PRICE ENGINE IN OVER-THE-COUNTER MARKETS," which is a Divisional Reissue Application of this Reissue Application, and U.S. application Ser. No. 13/462,526, filed on May 2, 2012, entitled "SYSTEM AND METHOD FOR CALCULATING OPTIMAL RATES IN A MULTI-SOURCED PRICE ENGINE IN OVER-THE-COUNTER MARKETS," which is a Divisional Reissue Application of this Reissue Application, each of which is hereby incorporated by reference herein in its entirety.

TECHNICAL FIELD

The technical field relates to computer-based systems for trading financial instruments, and, in particular, to a system and method for calculating optimal rates in a multi-source price engine in over the counter (OTC) markets.

BACKGROUND

Financial or commodities instruments may be traded in government regulated exchanges and cleared through regulated clearing monopolies such as the National Securities Clearing Corporation (NSCC) (for equities), the Options Clearing Corporation (OCC) (for equity options), or the Government Securities Clearing Corporation (GSCC) (for treasury bonds). In contrast, instruments for which no central clearing solution exists are traded "OTC" or "Over the counter." OTC products are traded and settled through multiple independent venues, introducing settlement risk and therefore affecting the marketability of prices as a function of the credit worthiness of the participants. Because settlement risk varies by participant, different participants have access to different rates in an OTC market. For example, most debt instruments are traded OTC with investment banks that make markets in specific issues. If a customer wants to buy or sell a bond, he or she will contact the bank that makes a market in that bond and ask for quotes. Many instruments, including forwards, swaps, currencies, and other types of derivatives are also traded OTC. In these OTC markets, large financial institutions typically serve as dealers, i.e., market makers. In an

OTC market, a fair price is typically defined by what a willing buyer will pay and what a willing seller will accept.

A market maker typically provides a pair of prices to its customers, i.e., bid and offer prices. The bid price is the price the market maker is willing to buy from a customer, whereas the offer price is the price the market maker is willing to sell to a customer. The bid price is typically lower than the offer price, providing a spread, i.e., profit for the market maker.

In an OTC market, a market maker may trade instruments traditionally, e.g., by phone, or electronically, e.g., using a service provider. A service provider, such as Currenex (www.currenex.com) or EBS (www.ebs.com), typically provides one or more electronic communications networks (ECN), i.e., trading exchange platforms, for market makers to trade instruments electronically in an OTC market. A market maker may deal in multiple platforms. Likewise, a service provider may support multiple market makers through multiple liquidity pools (also referred to as exchange platforms, exchanges, exchange markets).

In addition to market makers, there are intermediaries called brokers that often aggregate liquidity from several liquidity sources. Many brokers have their own customers and act as a counterparty for both their customers and their liquidity sources. For these brokers each transaction results in two trades; one with their customer; the other with their liquidity source. Because brokers typically have access to multiple liquidity sources, they have superior pools of liquidity to draw upon for generating prices to their customers, enabling some brokers to mark up the price they receive from their liquidity sources, resulting in a profit when they deal with their customers.

Current service providers do not offer intelligent methods of defining and applying an optimal spread for market makers and brokers. When a preferred spread is two pips, for example, and an input rate offered by a market maker is 49/50, currently service providers will simply add one pip to each side, i.e., the bid price and offer price (e.g., 48/51). A pip is typically the minimum fluctuation or smallest increment of price movement. No intelligent method is offered to maximize profits for market makers and brokers.

SUMMARY

A computer implemented method for calculating optimal rates in a multi-source price engine in over the counter (OTC) markets includes accepting rates provided by a plurality of market makers, inputting the rates as base rates to a price calculation module. Each base rate including a base bid rate and a base offer rate. The method further includes calculating a best bid/offer rate from the base rates. The best bid/offer rate includes a calculated highest bid rate and a calculated lowest offer rate selected from the base rates available at an instant, and a difference between the calculated lowest offer rate and the calculated highest bid rate is a best bid/offer spread. The method further includes calculating a target best bid/offer rate by applying a target spread to the best bid/offer rate. A difference between a target best offer rate and a target best bid rate is equal to the target spread. The method calculates the target best bid/offer rate by comparing the target spread with best bid/offer spread. If the best bid/offer spread is less than the target spread, the method includes creating the target best bid/offer rate by adjusting the best bid/offer rate so that the difference is equal to the target spread. The method further includes generating output rates based on the target best bid/offer rate so that each output rate is equal to the target best bid/offer rate or has an output spread greater than the target spread.

A system for calculating optimal rates in a multi-source price engine in OTC markets includes a price integration layer that accepts rates from price engines in a plurality of market makers and sends the rates as base rates to a price calculation module. The system further includes a price calculation module that accepts the base rates from the price integration layer. Each base rate includes a base bid rate and a base offer rate. The price calculation module calculates a best bid/offer rate from the base rates. The best bid/offer rate includes a calculated highest bid rate and a calculated lowest offer rate selected from the base rates available at an instant. A difference between the calculated lowest offer rate and the calculated highest bid rate is a best bid/offer spread. The price calculation module calculates a target best bid/offer rate by applying a target spread to the best bid/offer rate. A difference between a target best offer rate and a target best bid rate is equal to the target spread. The price calculation module calculates the target best bid/offer rate by comparing the target spread with best bid/offer spread. If the best bid/offer spread is less than the target spread, the price calculation module creates the target best bid/offer rate by adjusting the best bid/offer rate so that the difference is equal to the target spread. The price calculation module further generates output rates based on the target best bid/offer rate so that each output rate is equal to the target best bid/offer rate or has an output spread greater than the target spread. The system further includes a network connecting the price calculation module with the price engines.

A computer readable medium provides instructions for calculating optimal rates in a multi-source price engine in OTC markets. The instructions include accepting rates provided by a plurality of market makers, inputting the rates as base rates to a price calculation module. Each base rate including a base bid rate and a base offer rate. The instructions further include calculating a best bid/offer rate from the base rates. The best bid/offer rate includes a calculated highest bid rate and a calculated lowest offer rate selected from the base rates available at an instant, and a difference between the calculated lowest offer rate and the calculated highest bid rate is a best bid/offer spread. The instructions further include calculating a target best bid/offer rate by applying a target spread to the best bid/offer rate. A difference between a target best offer rate and a target best bid rate is equal to the target spread. The instructions for calculating the target best bid/offer rate include comparing the target spread with best bid/offer spread. If the best bid/offer spread is less than the target spread, the instructions include creating the target best bid/offer rate by adjusting the best bid/offer rate so that the difference is equal to the target spread. The instructions further include generating output rates based on the target best bid/offer rate so that each output rate is equal to the target best bid/offer rate or has an output spread greater than the target spread.

DESCRIPTION OF THE DRAWINGS

Exemplary embodiments of the system and method for calculating optimal rates in a multi-source price engine in over the counter (OTC) markets will be described in detail with reference to the following figures, in which like numerals refer to like elements, and wherein:

FIG. 1 illustrates an embodiment of a system for calculating optimal rates in a multi-source price engine in OTC markets;

FIG. 2 is a flow chart illustrating an embodiment of a method for calculating optimal rates in a multi-source price engine in OTC markets; and

FIG. 3 illustrates exemplary hardware components of a computer that may be used in connection with an exemplary method for calculating optimal rates in a multi-source price engine in OTC markets.

DETAILED DESCRIPTION

A system and method calculate optimal rates in a multi-source price engine in over the counter (OTC) markets. The system and method integrate rates from multiple liquidity sources (i.e., price engines) to generate an output rate that can be transacted upon. The system and method apply a target spread and minimum profit to the base rates to generate an output rate. The target spread may be a function of many factors, including market conditions, customer credit, and the preferences of the price providers (e.g., market makers and brokers). Customers with a good credit may be configured on servers with small target spreads, whereas customers with a relatively bad credit may have greater target spreads.

The system and method create a price stream with optimal profitability rates for market makers and/or brokers by maximizing a first spread between the rate that is published to a customer and the rate at which a deal can be executed. At the same time, in order to maintain the competitiveness of the rates so that customers are likely to deal on them, the system and method minimize a second spread, which is the spread between the bid and offer prices. In effect, the system and method strike a compromise between maximizing profits for the market makers and/or brokers and offering customers a competitive spread.

The system and method are described in the context of OTC markets for illustration purposes only. One skilled in the art will appreciate that the system and method can be applied to any asset class.

FIG. 1 illustrates an embodiment of a system **100** for calculating optimal rates in a multi-source price engine in OTC markets. As noted above, a service provider **190** typically provides one or more electronic communications networks (ECN) (also referred to as trading exchange platforms, exchange markets, or liquidity pools) for market makers **121**, **123**, **125**, **127** to trade instruments electronically in an OTC market. The market makers **121**, **123**, **125**, **127** typically use price engines **122**, **124**, **126**, **128** to provide bid and offer prices, i.e., bid and offer rates, electronically using various protocols **131**, **133**, **135**, **137**. The service provider **190** may have protocol adapters **141**, **143**, **145**, **147** for each protocol **131**, **133**, **135**, **137** to convert prices or rates offered in a market maker's specific protocol to a generic protocol **150** in a price integration layer **152**.

The system **100** includes a price calculation module **110** that accepts bid and offer prices, i.e., raw rates **154**, provided by different market makers **121**, **123**, **125**, **127**. After the raw rates **154** are input into the price calculation module **110** in a uniform format, they are referred to as base rates **155**. The base rates **155** are not aggregated and may be used in the calculation of a best bid/offer rate **166**. The best bid/offer rate **166** may be the calculated highest bid rate (i.e., best bid price **164**) and lowest offer rate (i.e., best offer price **168**) selected from the available base rates **155** at a given instant.

Next, the system **100** may apply a target spread **157** to the best bid/offer rate **166**. A spread is typically the difference between the bid and offer prices of a security instrument. The target spread **157**, an input amount, is typically the spread that would be considered competitive to customers for a given financial instrument at a time of day. Each individual instrument typically has a target spread **157** that can be automatically adjusted on a time zone basis. The target spread **157** may

be stored in a database, and multiple records may exist representing the target spread **157** for a specific time range within the day. The system **100** may automatically adjust the target spread **157** throughout the day to accommodate natural changes in market liquidity. For example, a rate for euros versus dollars (EUR/USD) at 2300 Greenwich Mean Time (GMT) typically has a greater spread than at 1400 GMT because both European and American traders are generally not trading at that time. The target spread **157** may be manually input into the price calculation module **110** by, e.g., an operator using a graphical user interface (GUI).

If the best offer price **168** minus the best bid price **164** is less than the target spread **157** for an instrument, a target best bid/offer rate **176** is created, by distributing the difference in the spread as evenly as possible to the best bid price **164** and the best offer price **168**, so that a target best offer price **178** minus a target best bid price **174** is equal to the target spread **157**. Output rates **182, 184, 186, 188** may be calculated by applying the target best bid/offer rate **176** to the base rates **155** so that each output rate is equal to the target best bid/offer rate **176** or has an output spread greater than the target spread **157**. If the best offer price **168** minus the best bid price **164** is greater than or equal to the target spread **157**, no adjustments are made.

The system **100** may also apply a minimum profit **158** to the output rates **182, 184, 186, 188** after the output rates **182, 184, 186, 188** satisfy the target spread **157**. The minimum profit **158** is also an input that can be manually input into the price calculation module **110** by an operator. Applying the minimum profit **158** may widen the spread between the bid and offer prices. Similar to the target spread **157**, the minimum profit **158** can be automatically adjusted on a time zone basis or other basis, to accommodate changes in market liquidity.

The system **100** may use a skew algorithm **162**, a skewing methodology, to satisfy the target spread **157** and the minimum profit **158**. Market conventions typically limit the number of decimal places that can be used to price a particular instrument. Therefore, it is not always possible to evenly distribute a spread between the bid and offer prices. Specifically, if an even number of pips are to be added or subtracted from the bid and offer prices, an even amount can be distributed among the bid and offer prices. However, if an odd number is to be added or subtracted, e.g., "1," adding "1/2" to both the bid and offer prices would effectively add an additional decimal place, which is not acceptable to certain market conventions. Accordingly, a skew algorithm **162** may be used to determine whether to subtract the remaining pip from the bid price or add it to the offer price. In short, the skew algorithm **162** determines how to apply the spread, e.g., which side of the market price is the optimal side to apply a remaining pip. Alternatively, fractional-pips may be evenly applied to the bid and offer prices to achieve the target spread **157** and/or the minimum profit **158**.

The system **100** may use the following exemplary skew algorithms **162** to distribute the remaining pip of an odd number of pips: "Static Bid" always subtracts a pip from the bid price; "Static Offer" always adds a pip to the offer price; "Last" applies a pip to the side that has the last trade; "Random" applies a pip randomly to the bid or offer price, (randomization may be changed when there is a change in the best bid or offer price); "Moving Average" is a stochastic algorithm that adds a pip to the offer price as the markets are trending upwards, and subtracts the odd spread from the bid price when the markets are trending down; and "Inverted Moving Average" is a stochastic algorithm that subtracts a pip from the bid price as the markets are trending upwards, and

adds the odd spread to the offer price as the markets are trending down. One skilled in the art will appreciate that other types of skew algorithms **162** may be used in connection with the system **100**.

The price calculation module **110** calculates an executable output rate **182, 184, 186, 188**. The price calculation module **110** may also rearrange the ordering of the output rates **182, 184, 186, 188** so that the rates are ordered in the most profitable way. For example, the rates that have been adjusted based on the target spread **157** and the minimum profit **158** may be moved forward so that these adjusted rates are seen by customers before other unadjusted rates. This is particularly important to brokers because they can easily realize a profit from the adjustments by dealing with the counterparty providing the source of the rates at a better price (e.g., raw rates) than the price (e.g., adjusted rates) at which they deal with their customers. These output rates **182, 184, 186, 188** may be sent to a price destination **160**, which may be a matching service, a customer, a screen, or any other destinations for the rates to be executed.

The following examples illustrates the operation of the system **100**. The target spread **157** is, e.g., two pips, and the minimum profit **158** is, e.g., one pip, for an instrument. As noted above, a pip is typically the minimum fluctuation or smallest increment of price movement. The minimum profit **158** of one pip indicates that the market maker or broker at least makes a profit of one pip when their customers deals on the side (bid or offer) that the pip is applied. If the system **100** determines that the best bid/offer rate **166** is, e.g., 95/96, the best bid/offer spread is one pip and is less than the target spread **157**. The system **100** may either subtract one pip from the best bid price or add one pip to the best offer price, depending on the skew algorithm **162** to create the target best bid/offer rate **176**. The target best/bid offer rate then becomes 94/96 or 95/97.

If, for example, the system **100** determines that the best bid/offer rate is 93/96, the best bid/offer spread is three pips and is greater than the target spread **157**. In other words, the target spread **157** of two pips has been satisfied. In order to satisfy the minimum profit **158** of one pip, the system **100** may either subtract one pip from each base bid rate **155** or add one pip to each base offer rate **155**, depending on the skew algorithm **162**.

If the system **100** determines that the best bid/offer rate is, e.g., 95/94, an inverted rate where the bid price is greater than the offer price, the system **100** may distribute three pips to create the target best bid/offer rate **176**.

The following example further illustrates the operation of the system **100**. The base rates **155** are shown in bid/offer format with a letter representing each number.

50a/51b
50c/52d
49e/51f
49g/52h

In this example, the target spread **157** driven by the market is three pips, the minimum profit **158** is one pip, and the skew methodology is "Static Offer." The price calculation module **110** first determines the best bid/offer rate **166** (i.e., the best bid price **164** and the best offer price **168**) from the available base rates **155**. The best bid price **164** in this example is 50 and the best offer price **168** is 51. Next, the price calculation module **110** applies the target spread **157** to the best bid/offer rate **166** to create the target best bid/offer rate **176** of 49 bid and 52 offer. Next, the price calculation module **110** applies the target best bid/offer rate **176** and the minimum profit **158** to the base rates **155** to derive the output rates **182, 184, 186, 188** as follows:

49a/52b
49c/52f
49e/52d
49g/53h

As shown above, the output rates **182, 184, 186, 188** are rearranged so that the rates are ordered in the most profitable way. In other words, the output rates that have been adjusted, referred to as adjusted output rates, are moved forward so that these adjusted output rates are dealt upon by customers before any unadjusted rates. For example, a customer deals on b and f before seeing d and h.

FIG. 2 is a flow chart illustrating an embodiment of a method **200** for calculating optimal rates in a multi-source price engine in OTC markets. Each liquidity source, i.e., price engine, at each market maker, may have different bid and offer prices at any instant. Each market maker **121, 123, 125, 127** may use a different protocol **131, 133, 135, 137** to send these bid and offer prices, also referred to as raw rates **154**, to the service provider **190** (block **202**). The service provider **190** may use protocol adapters **141, 143, 145, 147** to convert the raw rates **154** in different protocols **131, 133, 135, 137** to a generic protocol **150** at the price integration layer **152** (block **204**). The raw rates **154** may be input into the price calculation module **110** using the generic protocol **150** (block **208**).

The price calculation module **110** then calculates the base rates **155** based on the raw rates **154** by converting them to a uniform format (block **210**). The time zone algorithm automatically adjusts the target spread **157** and the minimum profit **158** throughout the day to accommodate natural changes in market liquidity. Next, the method **200** calculates a best bid/offer rate **166**, which is the calculated highest bid rate (i.e., best bid price **164**) and lowest offer rate (i.e., best offer price **168**) selected from the available base rates **155** at a given instant (block **212**). The price calculation module **110** applies the target spread **157**, skew algorithm **162** to the best bid/offer rate **166** to create the target best bid/offer rate **176** (block **216**). The price calculation module **110** applies the target best bid/offer rate **176**, the minimum profit **158**, and the skew algorithm **162** to the base rates **155** to derive output rates **182, 184, 186, 188** (block **218**). Next, the price calculation module **110** rearranges the ordering of the output rates **182, 184, 186, 188** so that the rates are ordered in the most profitable way (block **222**) and sends the output rates **182, 184, 186, 188** to the price destination **160** (block **224**).

FIG. 3 illustrates exemplary hardware components of a computer **300** that may be used in connection with the method for calculating optimal rates in a multi-source price engine in OTC markets. The computer **300** includes a connection **320** with a j network **318** such as the Internet or other type of computer or telephone network. For example, the network **318** connects the price calculation module **110** with the price engines **122, 124, 126, 128** from different market makers **121, 123, 125, 127**. The computer **300** typically includes a memory **302**, a secondary storage device **312**, a processor **314**, an input device **316**, a display device **310**, and an output device **308**.

The memory **302** may include random access memory (RAM) or similar types of memory. The secondary storage device **312** may include a hard disk drive, floppy disk drive, CD-ROM drive, or other types of non-volatile data storage, and may correspond with various databases or other resources. The processor **314** may execute instructions to perform the method steps described herein. These instructions may be stored in the memory **302**, the secondary storage **312**, or received from the Internet or other network **318**. The input device **316** may include any device for entering data into

the computer **300**, such as a keyboard, keypad, cursor-control device, touch-screen (possibly with a stylus), or microphone. The display device **310** may include any type of device for presenting visual image, such as, for example, a computer monitor, flat-screen display, or display panel. The output device **308** may include any type of device for presenting data in hard copy format, such as a printer, and other types of output devices including speakers or any device for providing data in audio form. The computer **300** can possibly include multiple input devices, output devices, and display devices.

Although the computer **300** is depicted with various components, one skilled in the art will appreciate that the computer **300** can contain additional or different components. In addition, although aspects of an implementation consistent with the method for calculating optimal rates in a multi-source price engine in OTC markets are described as being stored in memory, one skilled in the art will appreciate that these aspects can also be stored on or read from other types of computer program products or computer-readable media, such as secondary storage devices, including hard disks, floppy disks, or CD-ROM; a signal embodied in a carrier wave from the Internet or other network; or other forms of RAM or ROM. The computer-readable media may include instructions for controlling the computer **300** to perform a particular method.

While the system and method for calculating optimal rates in a multi-source price engine in OTC markets have been described in connection with an exemplary embodiment, those skilled in the art will understand that many modifications in light of these teachings are possible, and this application is intended to cover variations thereof.

What is claimed is:

1. A computer implemented method for calculating optimal rates in a multi-source price engine in over the counter (OTC) markets, the method being executed by a computer system, the method comprising:

accepting, at the computer system, rates provided by a plurality of market makers;

inputting, at the computer system, the rates as base rates, wherein each base rate includes a base bid rate and a base offer rate;

calculating, by the computer system, a best bid/offer rate from the base rates by selecting a highest bid rate from the base bid rate inputted for each of the base rates at an instant and selecting a lowest offer rate from the base offer rate inputted for each of the base rates at an instant; calculating a best bid/offer spread as a difference between the lowest offer rate and the highest bid rate;

retrieving from a database, by the computer system, a target spread;

calculating, by the computer system, a target best bid/offer rate by applying the target spread to the best bid/offer rate, wherein a difference between a target best offer rate and a target best bid rate is equal to the target spread, wherein the step of calculating by the computer system, the target best bid/offer rate includes:

comparing, by the computer system, the target spread with the best bid/offer spread;

when the best bid/offer spread is less than the target spread, creating, by the computer system, the target best bid/offer rate by automatically adjusting the best bid/offer rate so that the difference is equal to the target spread; and

generating, by the computer system, output rates based on the target best bid/offer rate so that each output rate is equal to the target best bid/offer rate or has an output spread greater than the target spread.

2. The method of claim 1, further comprising if there is an odd number of pips between the target spread and the best bid/offer spread, using a skew algorithm to determine whether to subtract one pip from the target best bid rate or to add the one pip to the target best offer rate of the target best bid/offer rate to make a target best bid/offer spread equal to the target spread.

3. The method of claim 2, wherein the skew algorithm is selected from a group consisting of a static bid algorithm, a static offer algorithm, a last algorithm, a random algorithm, a moving average algorithm, and an inverted moving average algorithm.

4. The method of claim 1, further comprising if there is an odd number of pips between the target spread and the best bid/offer spread, evenly applying fractional-pips to the target best bid rate and the target best offer rate to make a target best bid/offer spread equal to the target spread.

5. The method of claim 1, further comprising applying a minimum profit to the base offer rate and the base bid rate, the minimum profit being applied to every base rate to ensure that there is an output rate for each base bid rate and base offer rate such that half of the minimum profit is applied to each base rate, the applying the minimum profit step including:

for each base bid rate creating or adjusting an output rate if necessary by subtracting half of the minimum profit from the base bid rate; and

for each base offer rate creating or adjusting the output rate if necessary by adding half of the minimum profit from the base offer rate.

6. The method of claim 5, further comprising if there is an odd number of pips specified in a minimum profit, using a skew algorithm to determine whether to subtract a remaining pip from the base bid rate or to add the remaining pip to the base offer rate to achieve a minimum profit.

7. The method of claim 6, wherein the skew algorithm is selected from a group consisting of a static bid algorithm, a static offer algorithm, a last algorithm, a random algorithm, a moving average algorithm, and an inverted moving average algorithm.

8. The method of claim 5, further comprising if there is an odd number of pips specified to achieve a minimum profit, evenly applying fractional-pips to the base bid rate and the base offer rate to achieve the minimum profit.

9. The method of claim 1, further comprising sending the output rates to a price destination.

10. The method of claim 1, wherein the generating the output rates step comprises:

if the base bid rate is greater than the target best bid rate, generating an output rate where an output bid rate is equal to the target best bid rate; and

if the base offer rate is less than the target best offer rate, generating an output rate where an output offer rate is equal to the target best offer rate.

11. The method of claim 1, wherein the generating the output rates step comprises:

if the target best bid rate is less than the best bid rate, generating an output rate where an output bid rate subtracts a number of pips from the base bid rate equal to a difference between the best bid rate and the target best bid rate

if the target offer rate is more than the target best offer rate, generating an output rate where an output offer rate adds a number of pips to the base offer rate equal to a difference between the target best offer rate and the best offer rate.

12. The method of claim 11, wherein the target best bid/offer rate embodies both the target spread and a minimum profit.

13. The method of claim 1, further comprising rearranging the output rates in a profitable way for the market makers and/or brokers so that a customer is presented with an adjusted rate before seeing an unadjusted rate.

14. The method of claim 1, further comprising sending unadjusted base rates to a price destination if the best bid/offer spread is greater than the target spread, and there are no adjustments for minimum profit.

15. The method of claim 1, further comprising when the best bid/offer spread is equal to the target spread, and there are no adjustments for minimum profit, sending unadjusted base rates to a price destination.

16. The method of claim 1, further comprising converting the rates provided in different protocols to a generic protocol.

17. A system for calculating optimal rates in a multi-source price engine in over the counter (OTC) markets, comprising: a processor of a computer system configured to accept rates from price engines in a plurality of market makers and configured to input the rates as base rates,

wherein each base rate includes a base bid rate and a base offer rate, wherein the processor is configured to:

calculate a best bid/offer rate from the base rates by selecting a highest bid rate from the base bid rate inputted for each of the base rates at an instant and selecting a lowest offer rate from the base offer rate inputted for each of the base rates at an instant;

calculate a best bid/offer spread as a difference between the lowest offer rate and the highest bid rate;

retrieve from a database a target spread;

calculate a target best bid/offer rate by applying the target spread to the best bid/offer rate, wherein a difference between a target best offer rate and a target best bid rate is equal to the target spread, wherein the processor calculates the target best bid/offer rate by comparing the target spread with the best bid/offer spread and when the best bid/offer spread is less than the target spread, the processor creates the target best bid/offer rate by automatically adjusting the best bid/offer rate so that the difference is equal to the target spread; and

generate output rates based on the target best bid/offer rate so that each output rate is equal to the target best bid/offer rate or has an output spread greater than the target spread; and

a network connecting the computer system with the price engines.

18. The system of claim 17, wherein the target spread is input into the processor by an operator using a graphical user interface (GUI).

19. The system of claim 17, wherein the target spread is a spread that is competitive to customers for a financial instrument at a time of day.

20. The system of claim 17, wherein the target spread is automatically adjusted on a time zone basis.

21. The system of claim 17, wherein if there is an odd number of pips between the target spread and the best bid/offer spread, the processor is configured to use a skew algorithm to determine whether to subtract one remaining pip from the target best bid rate or to add the one remaining pip to the target best offer rate of the target best bid/offer rate to make a target best bid/offer spread equal to the target spread.

22. The system of claim 21, wherein the skew algorithm is selected from a group consisting of a static bid algorithm, a

11

static offer algorithm, a last algorithm, a random algorithm, a moving average algorithm, and an inverted moving average algorithm.

23. The system of claim 17, wherein the processor is configured to apply a minimum profit to the base rates.

24. The system of claim 17, wherein the processor is configured to send the output rates to a price destination.

25. The system of claim 17, wherein the processor is configured to rearrange the output rates in a profitable way for the market makers and/or brokers so that a customer is presented with an adjusted rate before seeing an unadjusted rate.

26. The system of claim 17, wherein the processor is configured to rearrange the output rates in a profitable way for a broker so that a customer is presented with an adjusted rate before seeing an unadjusted rate., wherein the broker deals with the customer at the adjusted rate and deals with a liquidity source at a raw rate to realize a profit.

27. The system of claim 17, wherein when the best bid/offer spread is greater than the target spread, and there are no adjustments for minimum profit, the processor is configured to send unadjusted base rates to a price destination.

28. A computer readable medium having executable instructions which when executed cause a computer to perform steps comprising:

accepting rates provided by a plurality of market makers; inputting the rates as base rates, wherein each base rate includes a base bid rate and a base offer rate;

calculating a best bid/offer rate from the base rates by selecting a highest bid rate from the base bid rate inputted for each of the base rates at an instant and selecting a lowest offer rate from the base offer rate inputted for each of the base rates at an instant;

calculating a best bid/offer spread as a difference between the lowest offer rate and the highest bid rate;

retrieving from a database a target spread;

calculating a target best bid/offer rate by applying the target spread to the best bid/offer rate, wherein a difference between a target best offer rate and a target best bid rate is equal to the target spread, wherein calculating the target best bid/offer rate includes:

comparing the target spread with the best bid/offer spread; when the best bid/offer spread is less than the target spread, creating the target best bid/offer rate by automatically adjusting the best bid/offer rate so that the difference is equal to the target spread; and

generating output rates based on the target best bid/offer rate so that each output rate is equal to the target best bid/offer rate or has an output spread greater than the target spread.

29. The computer readable medium of claim 28, further comprising instructions for:

if there is an odd number of pips between the target spread and the best bid/offer spread, using a skew algorithm to determine whether to subtract one pip from the target best bid rate or to add the one pip to the target best offer rate of the target best bid/offer rate to make a target best bid/offer spread equal to the target spread.

30. The computer readable medium of claim 28, further comprising instructions for applying a minimum profit to the base rates to widen a spread between the base offer rate and the base bid rate.

31. The computer readable medium of claim 28, further comprising instructions for sending unadjusted base rates to a price destination when the best bid/offer spread is greater than the target spread and there are no adjustments for minimum profit.

12

32. A computer-implemented method for calculating and outputting optimal rates in a multi-sourced price engine, the method being executed by a computer system, the method comprising:

(a) accepting, at the computer system, electronic streaming data from a plurality of market makers including rates from each of the plurality of market makers and such rates received from each of the plurality of market makers may have different values;

(b) inputting into the computer system the rates received from each of the plurality of market makers at step (a) as a base bid rate and a base offer rate;

(c) calculating, by the computer system, a best bid/offer rate from the rates streamed by the plurality of market makers at step (b) by selecting at an instant a highest bid rate and a lowest offer rate from the base bid rates and base offer rates streamed by the plurality of market makers;

(d) the computer system calculating a best bid/offer spread as a difference between the highest bid rate and lowest offer rate calculated at step (c);

(e) the computer system retrieving from a computer system database a target spread;

(f) calculating, by the computer system, a target best bid/offer rate by applying the target spread to the best bid/offer rate so that a difference between a target best offer rate and a target best bid rate is equal to the target spread, with this step (f) further including,

(1) comparing, by the computer system, the target spread with the best bid/offer,

(2) when the best bid/offer spread is less than the target spread, creating, by the computer system, the target best bid/offer rate by adjusting in an automated manner the best bid/offer rate spread so that best bid/offer spread equals the target spread; and

(g) generating, by the computer system, output rates based on the target best bid/offer rate calculated at step (f) and outputting the output rates as streaming optimal rates.

33. The computer-implemented method as recited in claim 32, wherein step (f) further includes adjusting the best bid/offer rate to calculate the target best bid/offer rate by evenly distributing the target spread to the best bid rate and best offer rate in calculating the best bid/offer rate spread to equal the target spread when there are an even number of minimum measurement units in adjusting the best bid/offer rate spread to equal the target spread.

34. The computer-implemented method as recited in claim 32, wherein step (f) further includes adjusting the best bid/offer rate to calculate the target best bid/offer rate by distributing the target spread to the best bid rate and best offer rate according to a skew algorithm that is selected from a group consisting of a static bid algorithm, a static offer algorithm, a last algorithm, a random algorithm, a moving average algorithm, and an inverted moving average algorithm when there are an odd number of minimum measurement units in adjusting the best bid/offer rate spread to equal the target spread.

35. The computer-implemented method as recited in claim 32, wherein the method further includes increasing the target spread by a predetermined profit margin to generate a second target spread.

36. The computer-implemented method as recited in claim 35, wherein step (f) further includes adjusting the best bid/offer rate to calculate the target best bid/offer rate by evenly distributing the second target spread to the best bid rate and best offer rate in calculating the best bid/offer rate spread to equal the second target spread when there are an even num-

ber of minimum measurement units in adjusting the best bid/offer rate spread to equal the second target spread.

37. The computer-implemented method as recited in claim 36, wherein step (f) further includes adjusting the best bid/offer rate to calculate the target best bid/offer rate by distributing the second target spread to the best bid rate and best offer rate according to a skew algorithm that is selected from a group consisting of a static bid algorithm, a static offer algorithm, a last algorithm, a random algorithm, a moving average algorithm, and an inverted moving average algorithm when there are an odd number of minimum measurement units in adjusting the best bid/offer rate spread to equal the second target spread.

38. The computer-implemented method as recited in claim 32, wherein step (f) further includes adjusting the best bid/offer rate to calculate the target best bid/offer rate by evenly distributing the target spread to the best bid rate and best offer rate when there are an odd number of minimum measurement units in adjusting the best bid/offer rate spread equal the target spread by fractionally dividing the odd number of minimum measurement units in adjusting the best bid/offer rate spread to equal the target spread.

39. The computer-implemented method as recited in claim 32, wherein a market maker includes a liquidity source.

40. A computer readable medium containing instructions that when executed by a computer system performing the steps comprising;

accepting electronic streaming data from a plurality of market makers including rates from each of the plurality

of market makers and such rates received from each of the plurality of market makers may have different values; inputting the rates received from each of the plurality market makers as a base bid rate and a base offer rate;

calculating a best bid/offer rate from the rates streamed by the plurality of market makers by selecting at an instant a highest bid rate and a lowest offer rate from the base bid rates and base offer rates streamed by the plurality of market makers;

calculating a best bid/offer spread as a difference between the highest bid rate and lowest offer rate;

retrieving a target spread from a database;

calculating a target best bid/offer rate by applying the target spread to the best bid/offer rate so that a difference between a target best offer rate and a target best bid rate is equal to the target spread, with this step further including,

(1) comparing the target spread with the best bid/offer spread,

(2) when the best bid/offer spread is less than the target spread, creating the target best bid/offer rate by adjusting in an automated manner the best bid/offer rate spread so that best bid/offer spread equals the target spread and

generating output rates based on the target best bid/offer rate so that each output rate is equal to the target best bid/offer rate or has an output spread greater than the target spread and outputting the output rates as streaming optimal rates.

* * * * *