



US00RE44770E

(19) **United States**
(12) **Reissued Patent**
Nichols et al.

(10) **Patent Number:** **US RE44,770 E**
(45) **Date of Reissued Patent:** **Feb. 25, 2014**

(54) **OUTDOOR GRILL**

(75) Inventors: **Dan Nichols**, Huntington Beach, CA (US); **David Deary**, Corona, CA (US); **Randy L. Rummel**, Huntington Beach, CA (US)

(73) Assignee: **Dynamic Cooking Systems, Inc.**, Huntington Beach, CA (US)

(21) Appl. No.: **29/261,486**

(22) Filed: **Jun. 14, 2006**
(Under 37 CFR 1.47)

Related U.S. Patent Documents

Reissue of:

(64) Patent No.: **Des. 491,414**
Issued: **Jun. 15, 2004**
Appl. No.: **29/180,132**
Filed: **Apr. 17, 2003**

(51) **LOC (10) Cl.** **07-02**

(52) **U.S. Cl.**
USPC **D7/402**

(58) **Field of Classification Search**
USPC D7/332-338, 402-405; 126/25 R, 25 A, 126/25 AA, 41 R, 27, 28, 4, 9 R; 99/421 R, 99/421 H, 421 M, 395
See application file for complete search history.

(56) **References Cited**

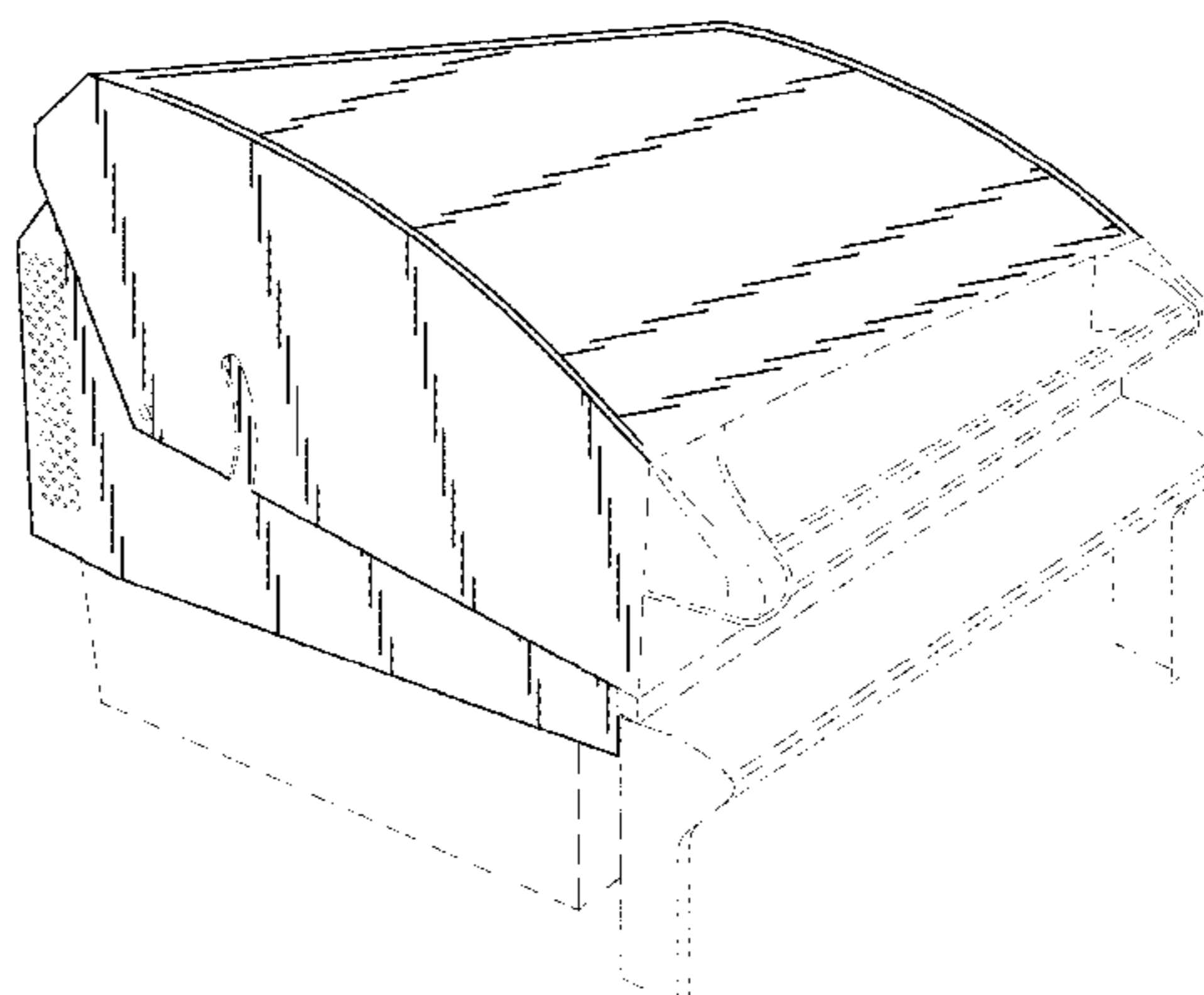
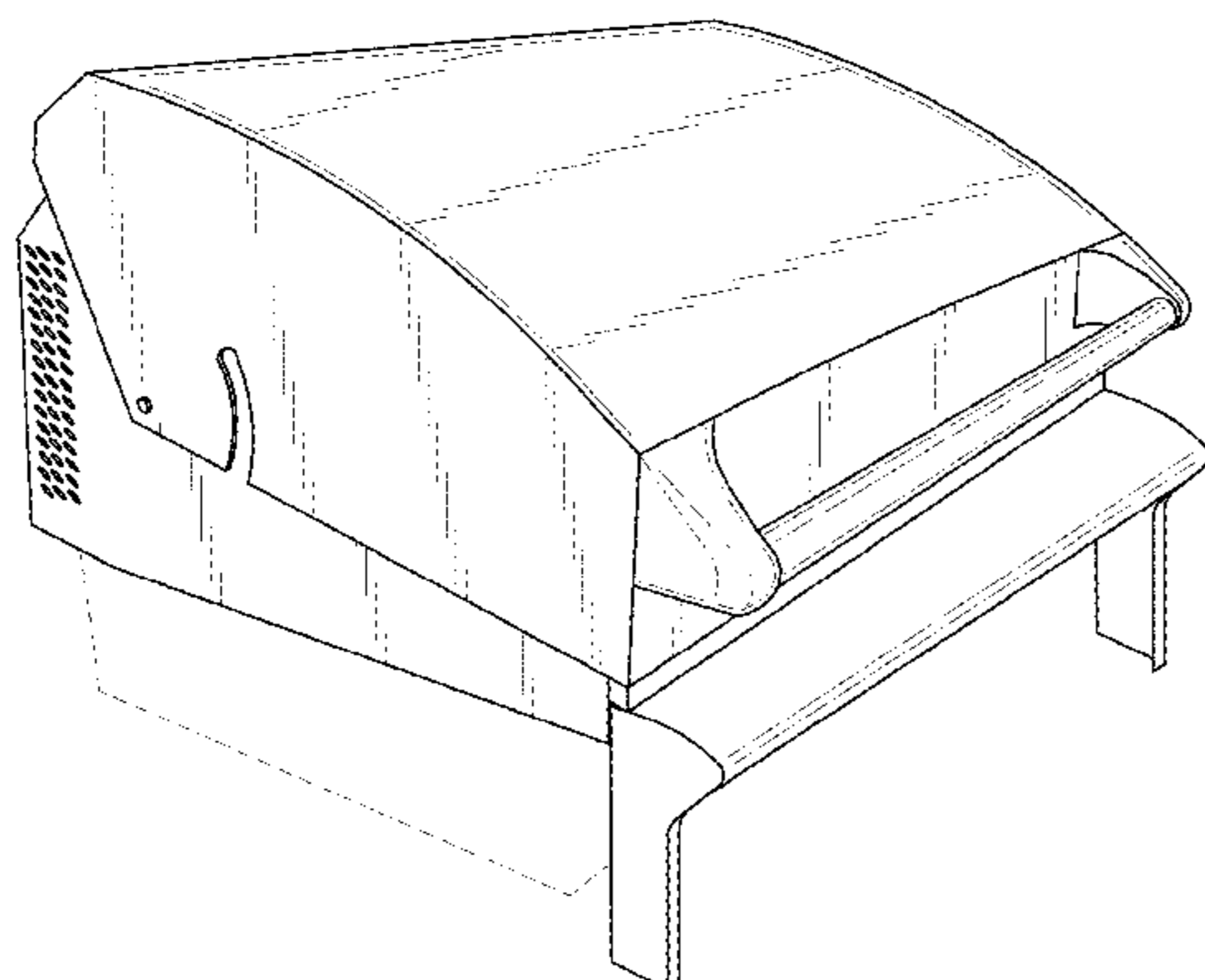
U.S. PATENT DOCUMENTS

1,748,742 A 2/1930 Thompson et al.
D105,114 S 6/1937 Burrow
2,480,045 A 8/1949 Reeves
2,654,359 A 10/1953 Reeves
2,766,683 A 10/1956 Kanz

(Continued)

FOREIGN PATENT DOCUMENTS

FR 2614677 11/1988



NEW

OTHER PUBLICATIONS

Frigidaire electric & gas ranges catalog, copyright Mar. 1999.
Frigidaire self-cleaning electric range.

(Continued)

Primary Examiner — Phillip S Hyder

(74) *Attorney, Agent, or Firm* — Knobbe, Martens, Olson & Bear LLP

(57) **CLAIM**

The ornamental design for outdoor grill, as shown and described.

DESCRIPTION

FIG. 1 is a top, front and left side perspective view of an outdoor grill showing our new design;
FIG. 2 is a top, front and right side perspective view thereof;
FIG. 3 is a right side elevation view thereof;
FIG. 4 is a left side elevation view thereof;
FIG. 5 is a top plan view thereof;
FIG. 6 is a front elevation view thereof;
FIG. 7 is a back elevation view thereof;
FIG. 8 is a top, front and left side perspective view of an outdoor grill showing our new design;
FIG. 9 is a top, front and right side perspective view thereof;
FIG. 10 is a right side elevation thereof;
FIG. 11 is a left side elevation thereof;
FIG. 12 is a top plan view thereof;
FIG. 13 is a front elevation view thereof; and,
FIG. 14 is a back elevation view thereof.
The [portion of the grill] *details* shown in broken lines [in FIGS. 1-4 and 6 (that is hidden when installed) is shown for illustrative purposes only and forms] *form* no part of the claimed design.

1 Claim, 14 Drawing Sheets

Matter enclosed in heavy brackets [] appears in the original patent but forms no part of this reissue; matter printed in italics indicates the additions made by reissue.

(56)

References Cited

U.S. PATENT DOCUMENTS

2,823,657 A 2/1958 Brodbeck
 2,973,524 A 3/1961 Daniels
 D201,938 S 8/1965 Tecton
 D201,939 S 8/1965 Tecton
 3,923,037 A 12/1975 Donato
 D289,487 S 4/1987 Schultz
 D293,070 S 12/1987 Cerola
 4,971,024 A 11/1990 Albon et al.
 5,038,748 A 8/1991 Lockwood et al.
 5,046,477 A 9/1991 Bennett et al.
 D326,029 S 5/1992 Lok
 D333,234 S 2/1993 Nichols
 D334,866 S 4/1993 Warren
 D342,641 S 12/1993 Falk
 5,372,121 A 12/1994 Castillo et al.
 D369,062 S 4/1996 Holbrook, Jr.
 5,536,518 A 7/1996 Rummel
 D372,630 S 8/1996 Lewis et al.
 D378,262 S 3/1997 Sparks
 5,755,154 A 5/1998 Schroeter et al.

D421,694 S 3/2000 Kitabayashi et al.
 D430,451 S 9/2000 Bordel
 6,257,288 B1 7/2001 Braccini
 D458,803 S 6/2002 Becker et al.
 D461,090 S 8/2002 Rummel et al.
 D461,359 S 8/2002 Coleman et al.
 D466,756 S 12/2002 Bossler et al.
 D467,461 S 12/2002 Jones et al.
 D470,357 S 2/2003 Home
 D471,057 S 3/2003 Chung
 D472,756 S 4/2003 Pai
 D473,096 S 4/2003 Resuello et al.
 D475,235 S 6/2003 Home
 D479,092 S 9/2003 Lewis et al.
 D481,589 S 11/2003 Becker et al.
 D486,350 S 2/2004 Nichols
 D486,690 S 2/2004 Becker et al.
 6,712,066 B1 3/2004 Atkinson et al.
 D491,414 S 6/2004 Nichols et al.

OTHER PUBLICATIONS

Thermador "Create" catalog, copyright 1999. pp. 13, 48 "Gas surface/electric range", bottom left.

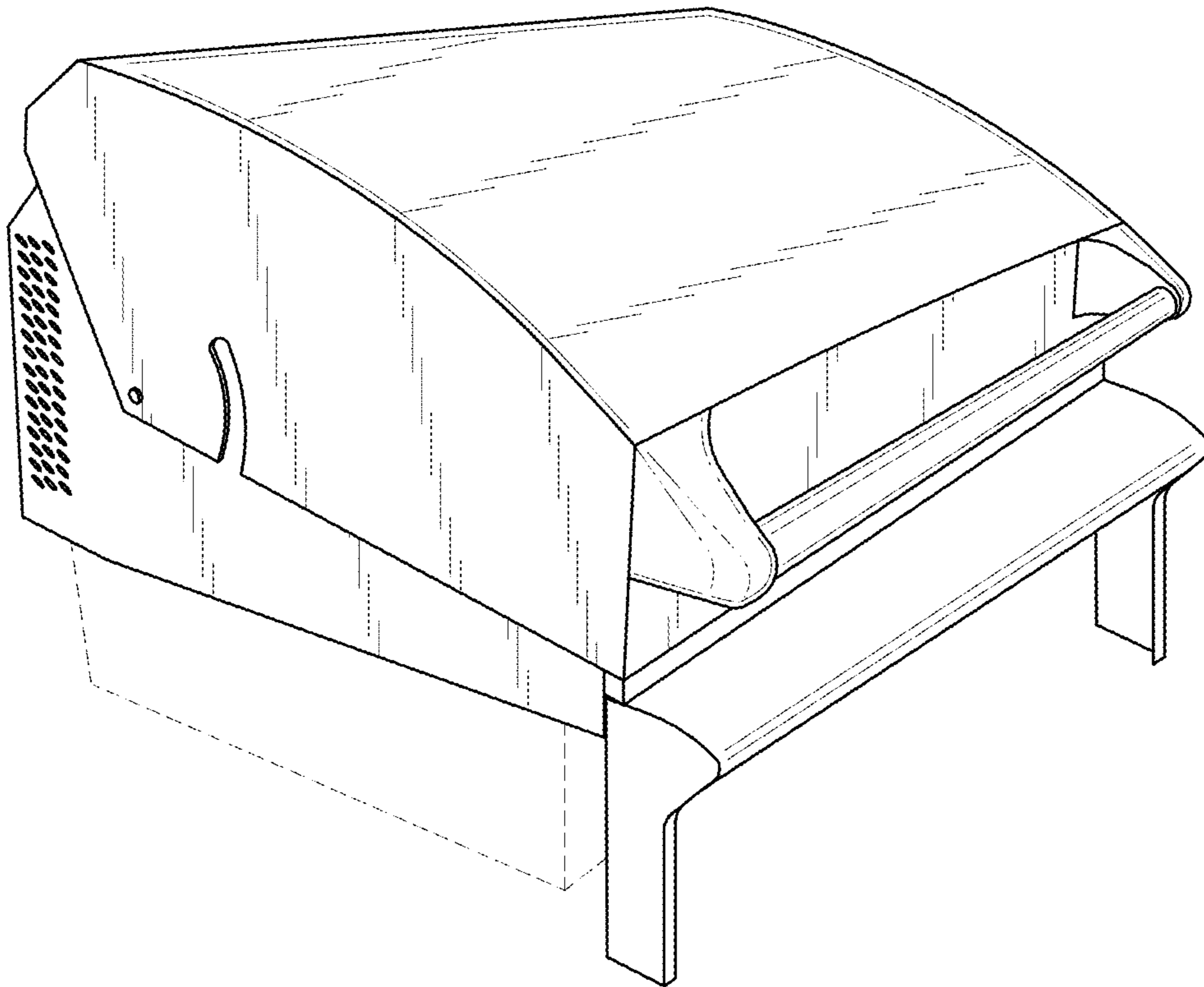


FIG. 1

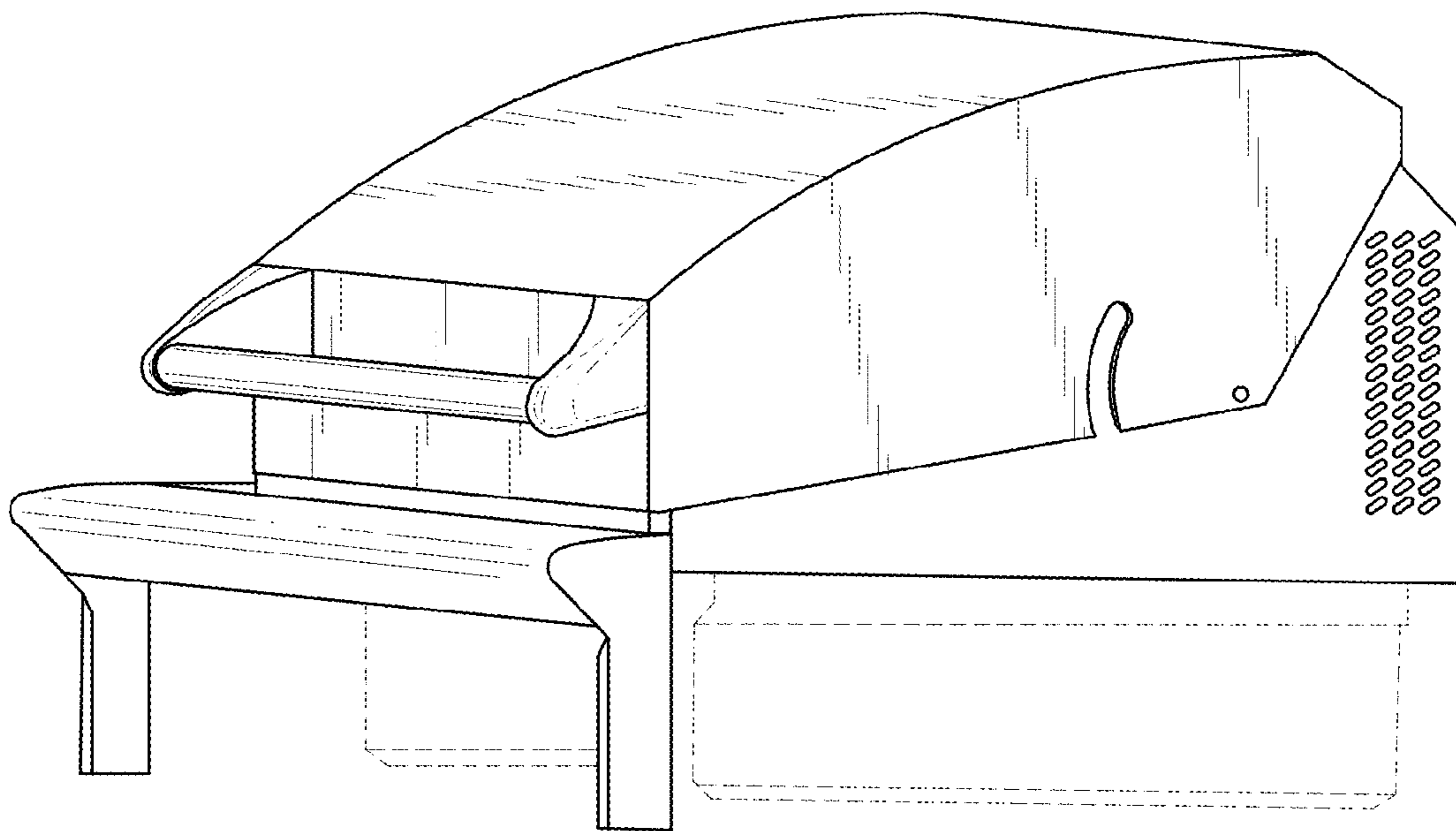


FIG. 2

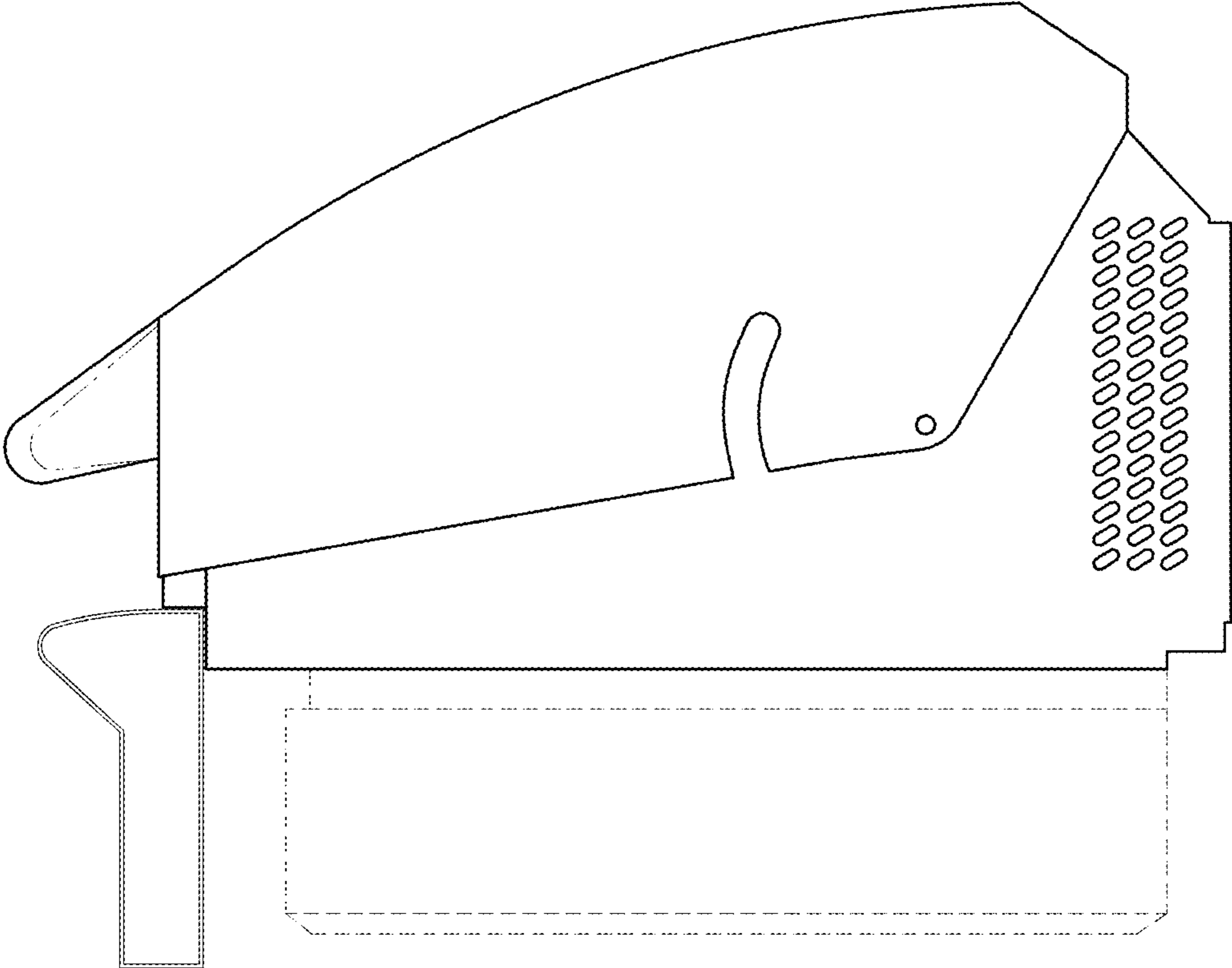


FIG. 3

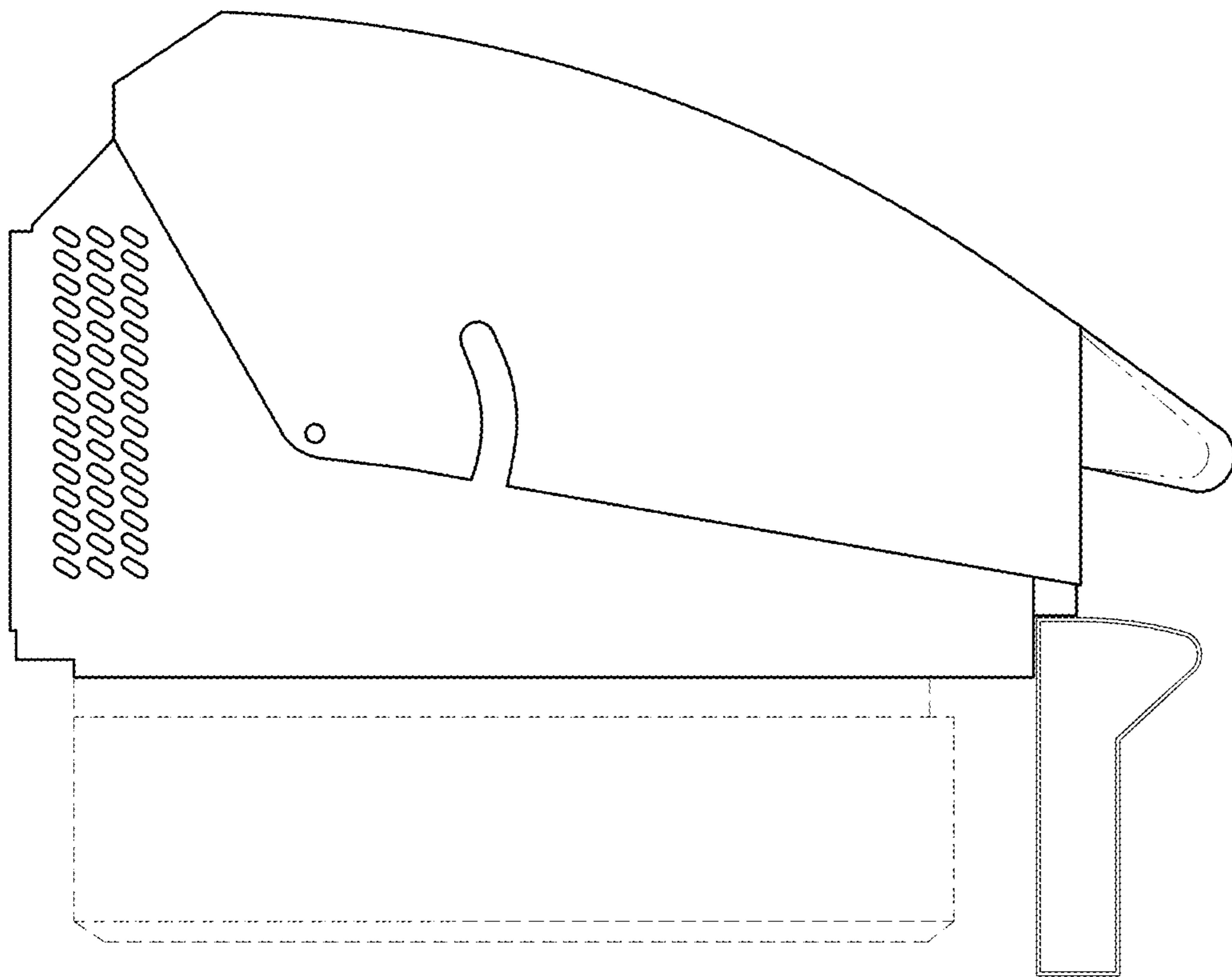


FIG. 4

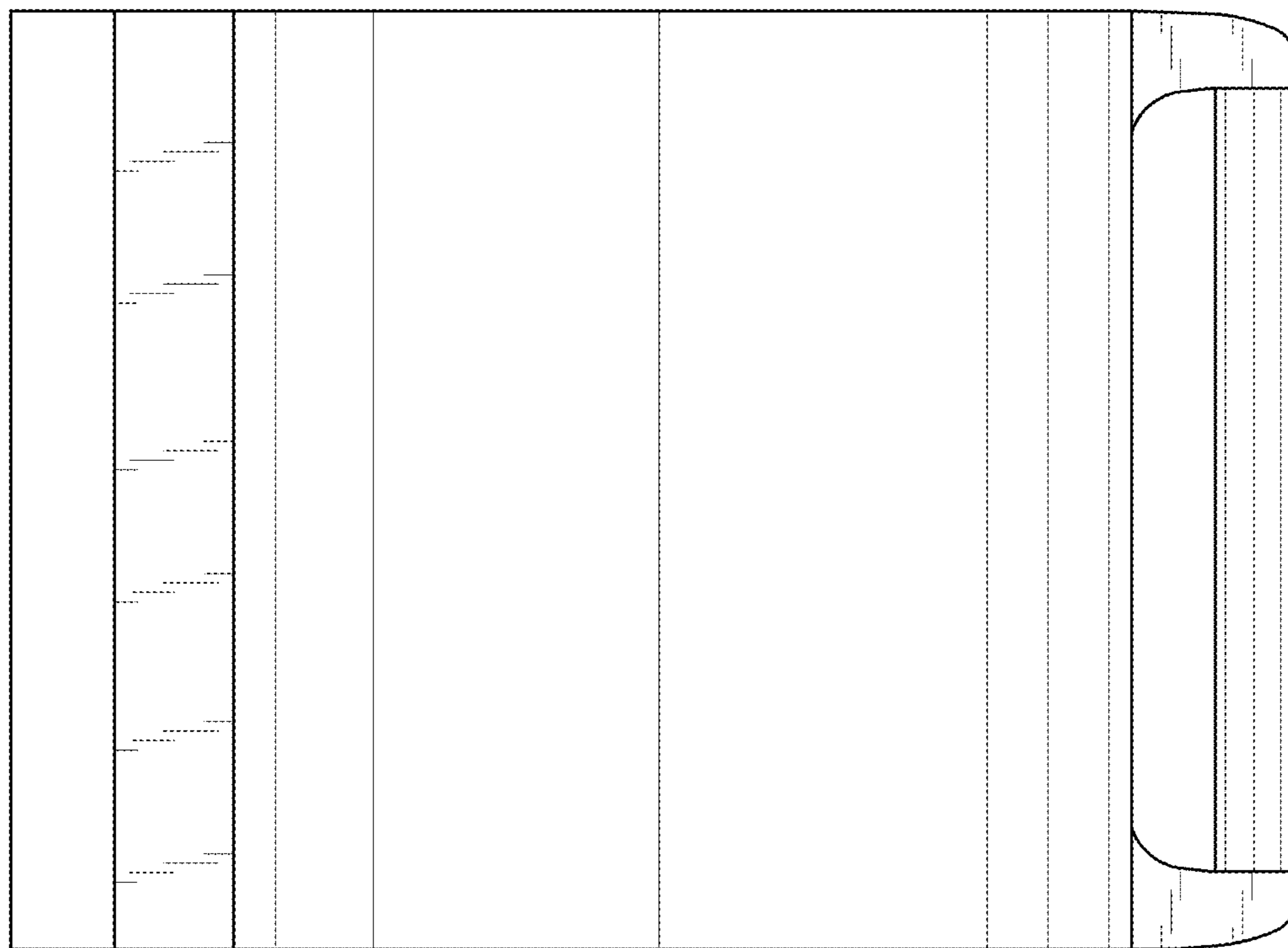


FIG. 5

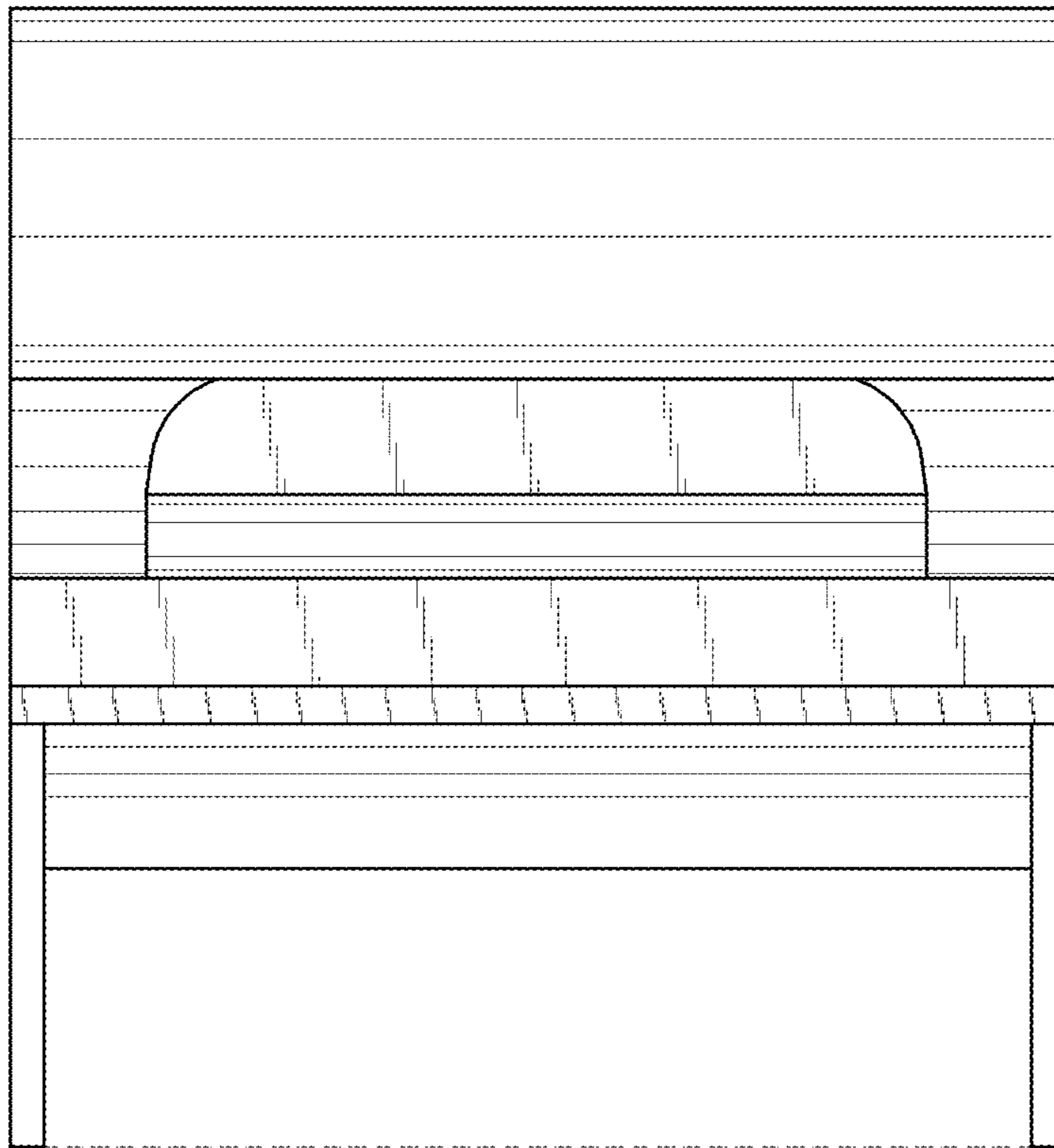


FIG. 6

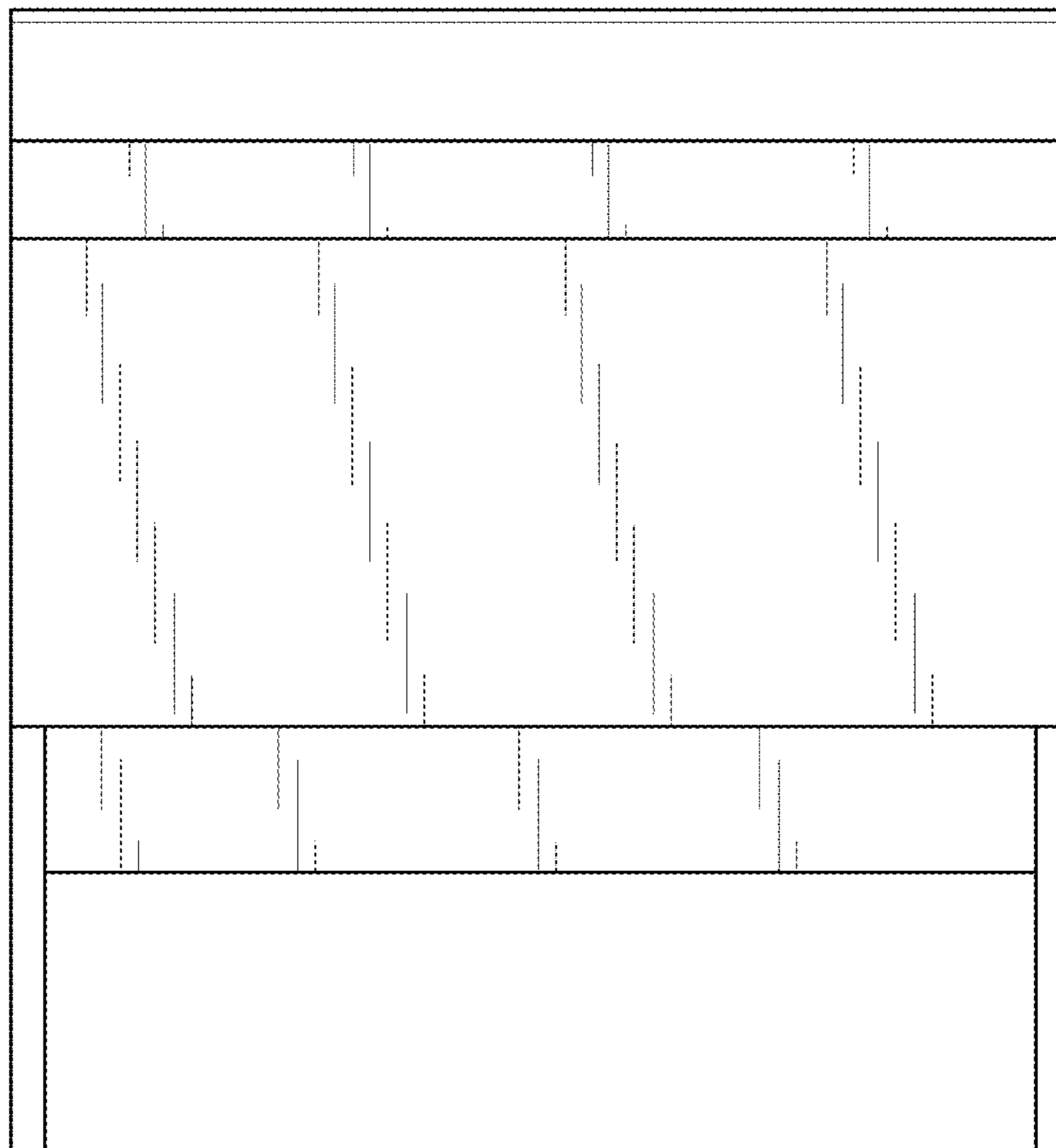


FIG. 7

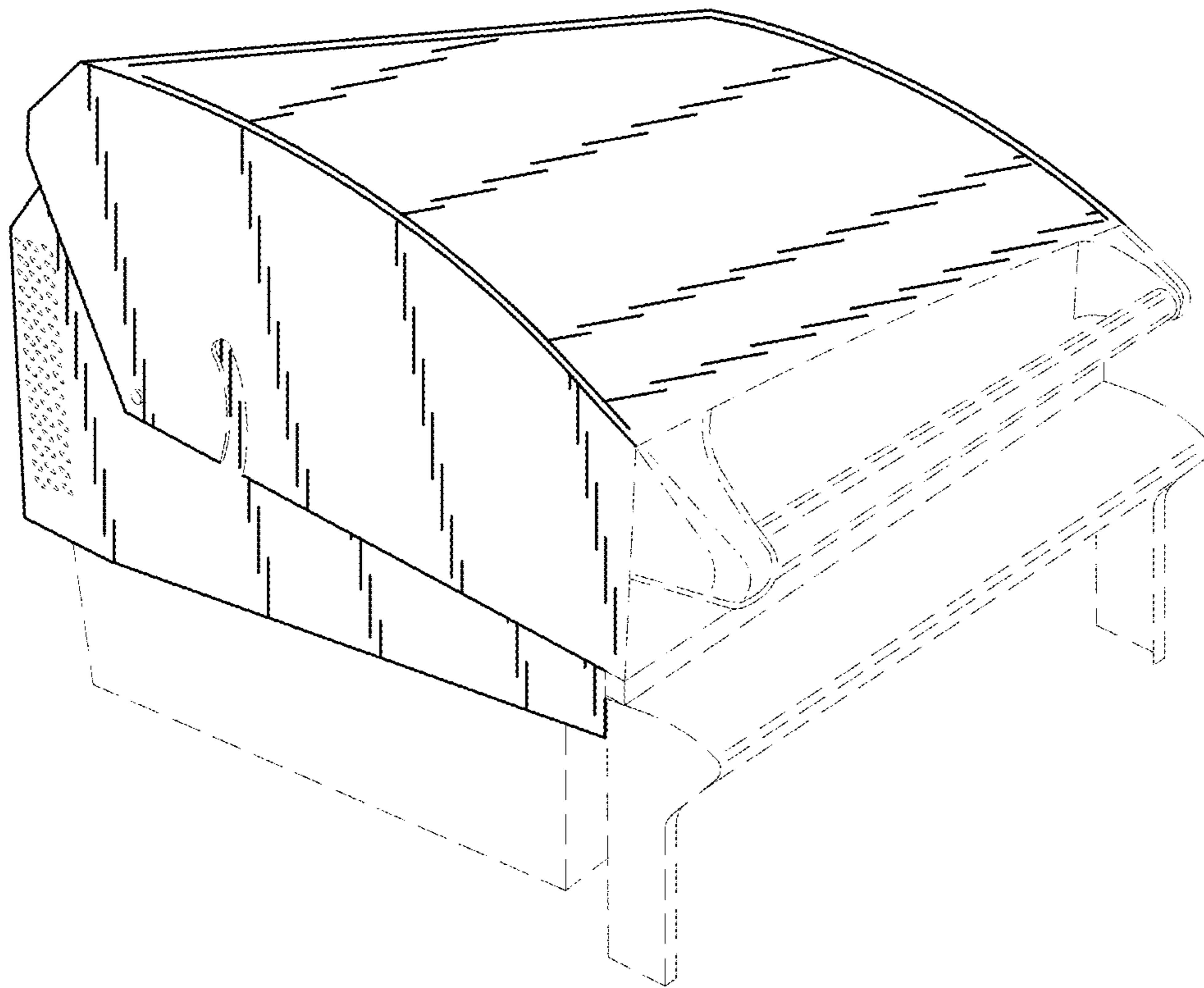


FIG. 8
NEW

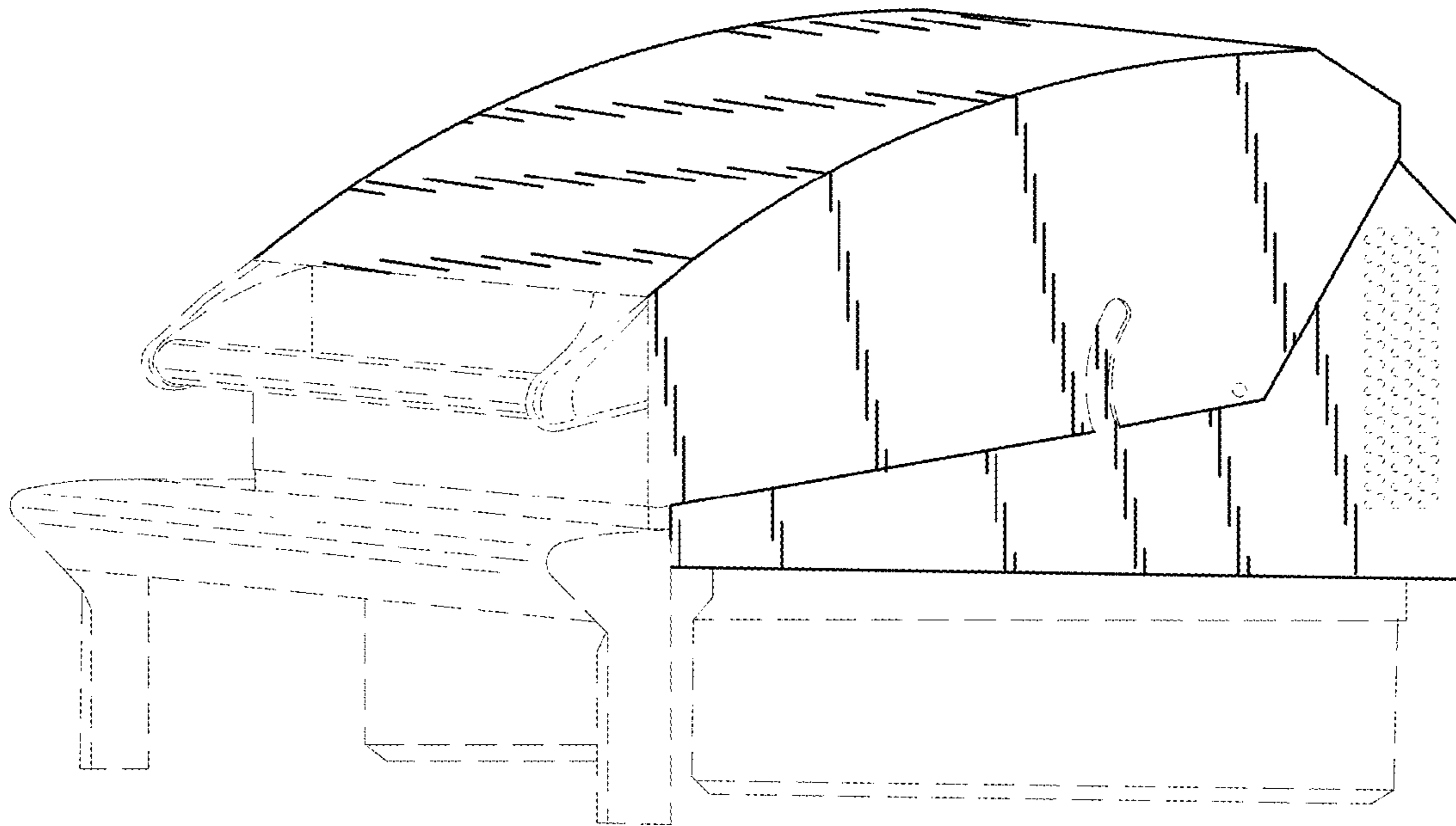


FIG. 9
NEW

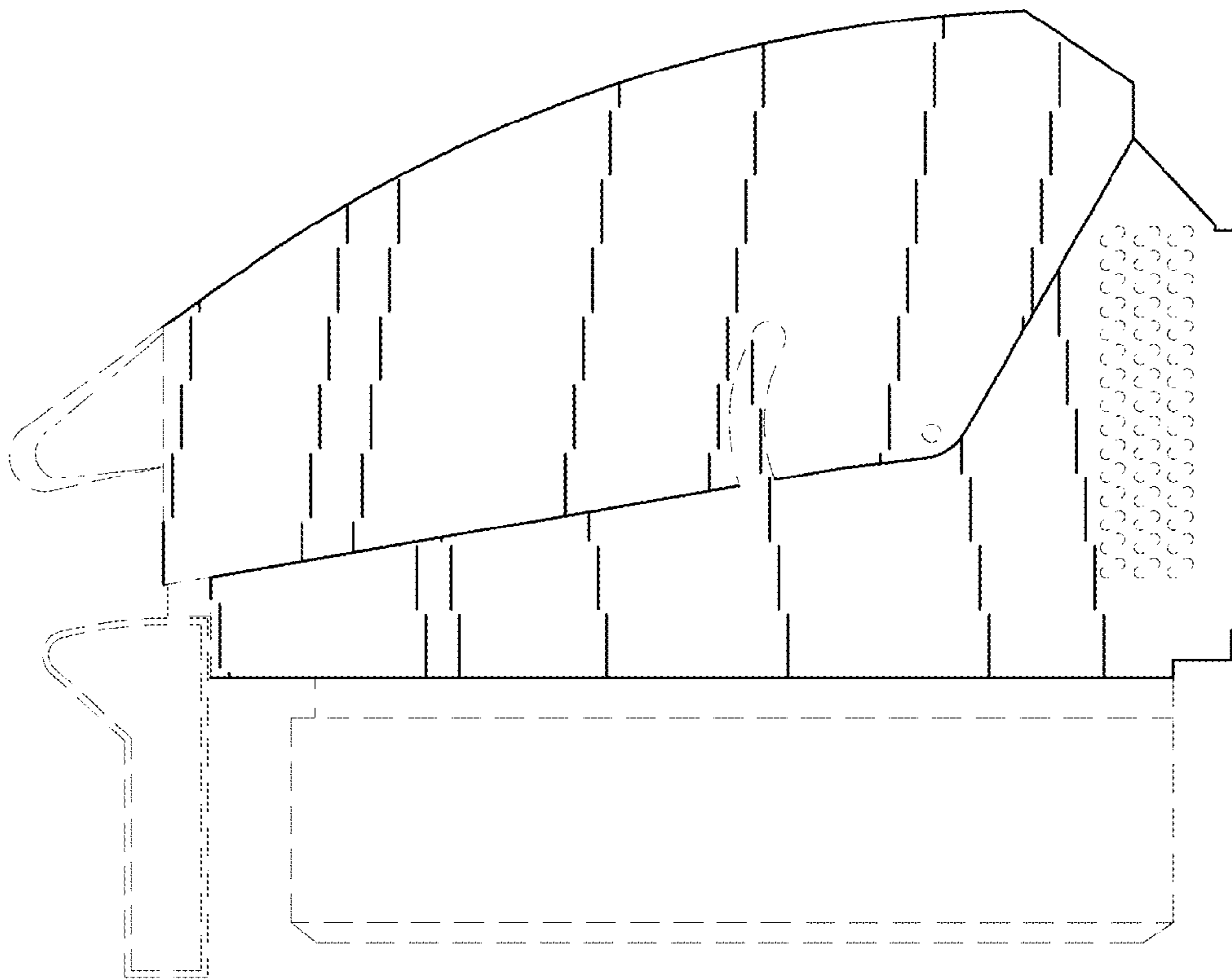


FIG. 10
NEW

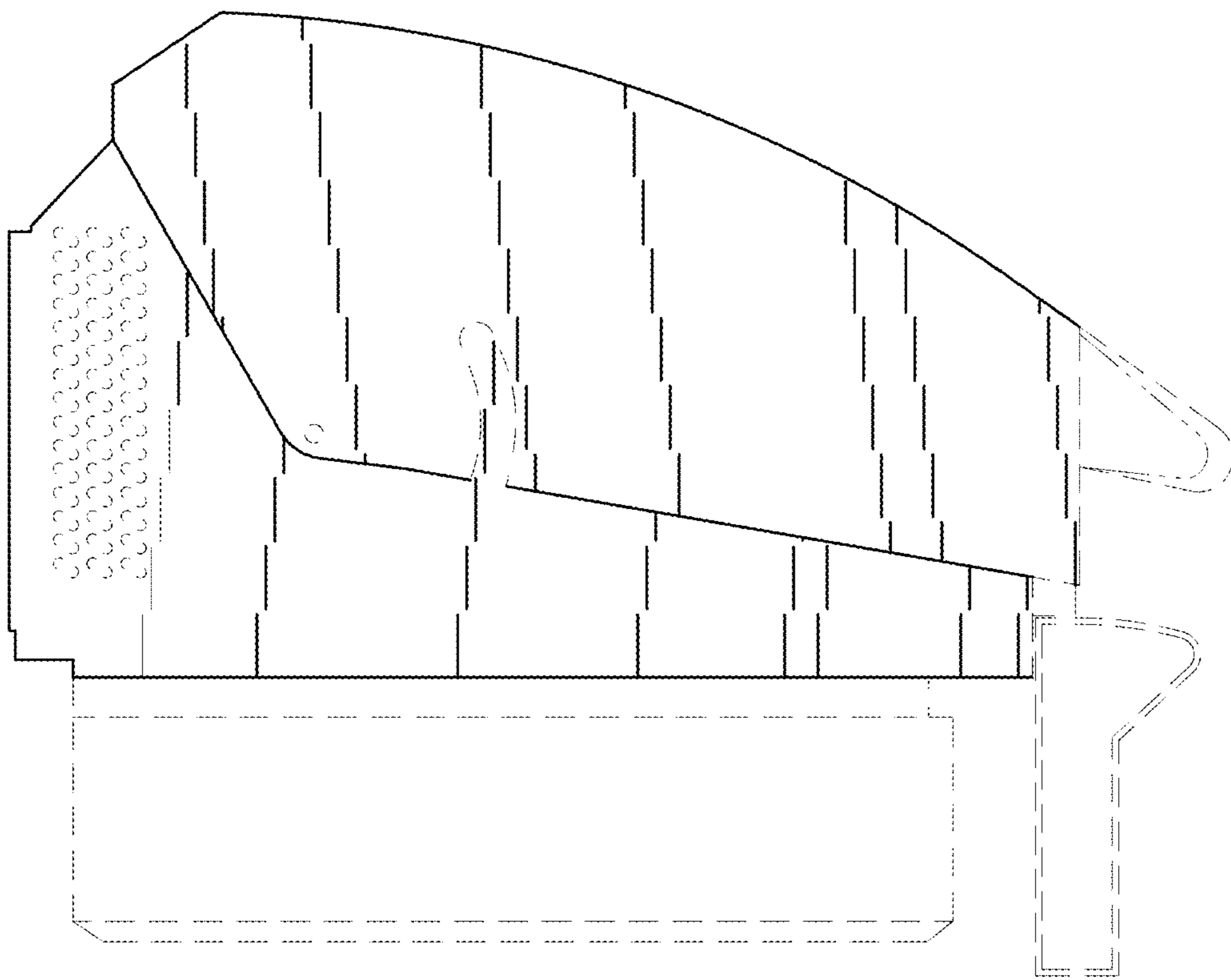


FIG. 11
NEW

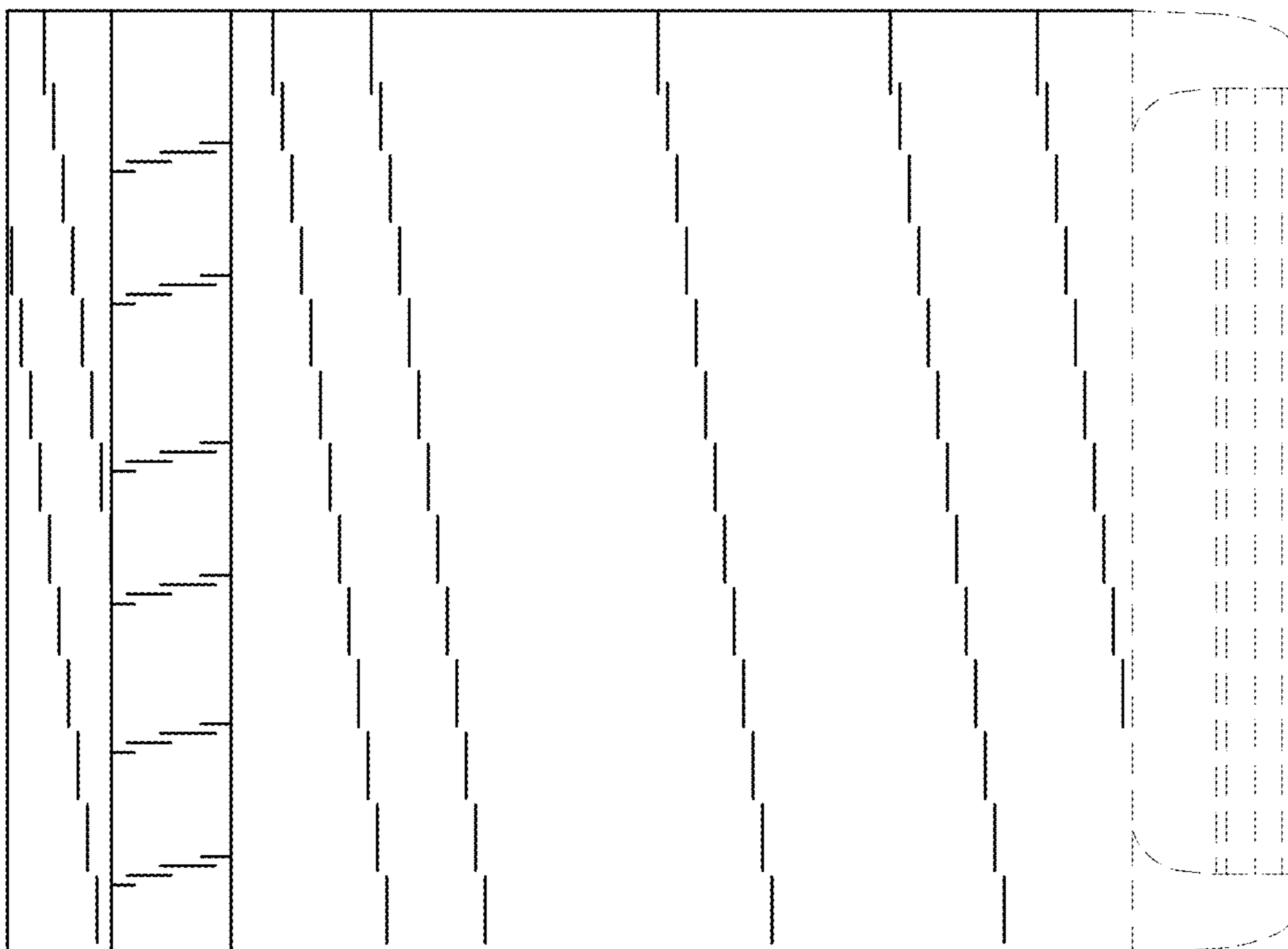


FIG. 12
NEW

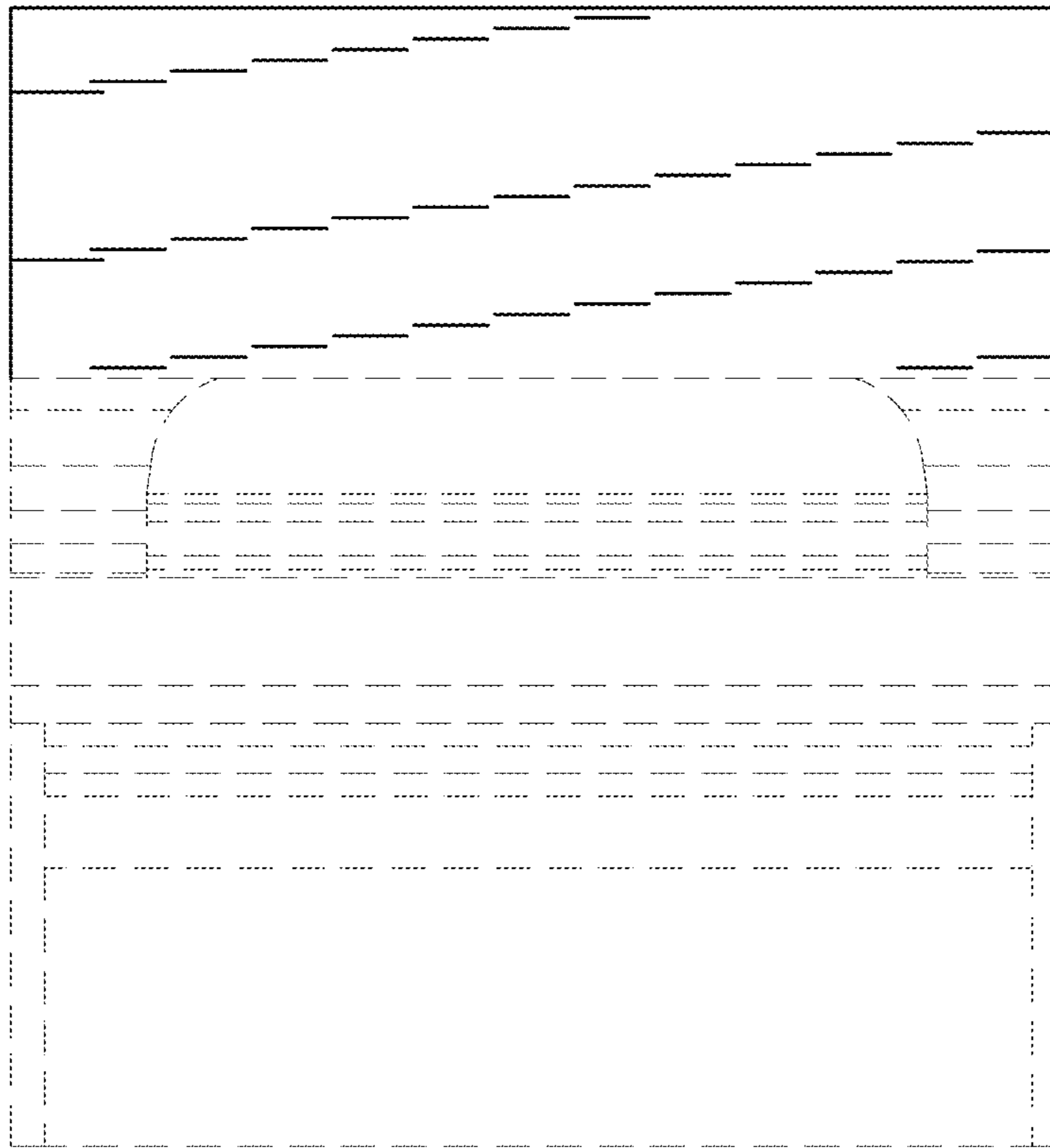


FIG. 13
NEW

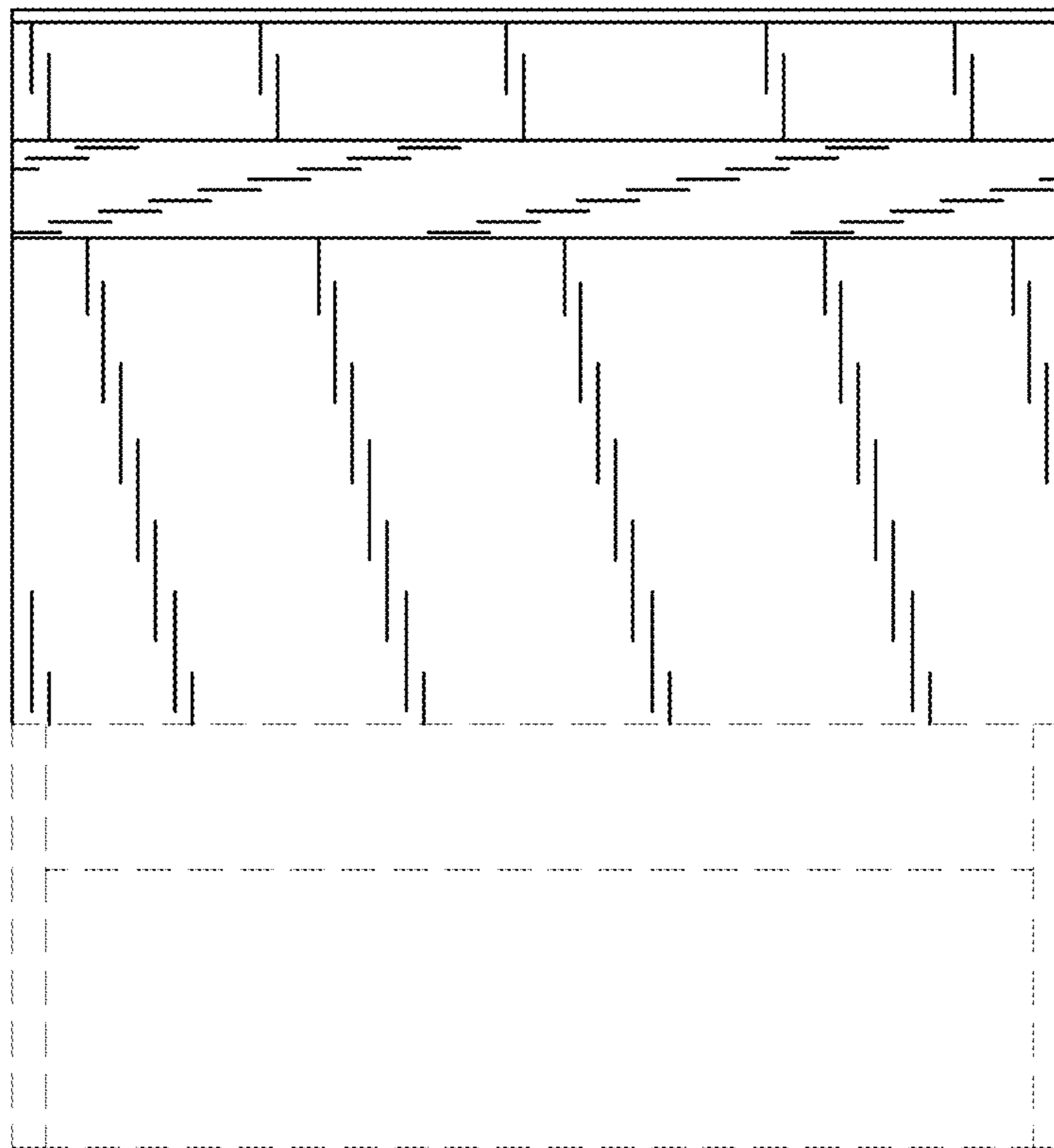


FIG. 14
NEW