



US00RE44672E

(19) **United States**  
(12) **Reissued Patent**  
**Yang et al.**

(10) **Patent Number:** **US RE44,672 E**  
(45) **Date of Reissued Patent:** **Dec. 31, 2013**

(54) **COMMUNICATIONS HEADSET**  
(75) Inventors: **Joseph Yang**, San Jose, CA (US); **Stann Sheperd**, Santa Cruz, CA (US); **John Ledingham**, Scotts Valley, CA (US)  
(73) Assignee: **Plantronics, Inc.**, Santa Cruz, CA (US)  
(21) Appl. No.: **29/398,806**  
(22) Filed: **Aug. 4, 2011**

D452,857 S 1/2002 Hong  
D455,417 S 4/2002 Bey et al.  
D457,635 S 5/2002 Dittli et al.  
D458,247 S 6/2002 Davies et al.  
D463,784 S 10/2002 Taylor et al.  
D464,943 S 10/2002 Lai

(Continued)

**OTHER PUBLICATIONS**

Michael Valente, Maureen Valente & Karen Mispagel, Fitting Options for Adults Patients with Single Sided Deafness. Aug. 14, 2006, [http://www.audiologyonline.com/articles/pf\\_article\\_detail.asp?article\\_id=1629](http://www.audiologyonline.com/articles/pf_article_detail.asp?article_id=1629).

(Continued)

*Primary Examiner* — Phillip S Hyder  
(74) *Attorney, Agent, or Firm* — Michael D. Rodriguez

**Related U.S. Patent Documents**

Reissue of:

(64) Patent No.: **Des. 612,840**  
Issued: **Mar. 30, 2010**  
Appl. No.: **29/329,601**  
Filed: **Dec. 18, 2008**

(51) **LOC (9) Cl.** ..... **14-01**  
(52) **U.S. Cl.**  
USPC ..... **D14/223**; D14/206  
(58) **Field of Classification Search**  
USPC ..... D14/206, 223, 225, 249, 142, 192, 188;  
181/129, 130; 379/430, 431; 381/380,  
381/381, 370, 375, 92; 455/569.1, 575.2,  
455/90.2

See application file for complete search history.

(56) **References Cited**

**U.S. PATENT DOCUMENTS**

D179,150 S 11/1956 Norris  
3,633,705 A 1/1972 Teder  
4,564,955 A 1/1986 Birch et al.  
4,617,431 A 10/1986 Scott et al.  
4,917,504 A 4/1990 Scott et al.  
D384,958 S 10/1997 Shudo  
6,097,827 A 8/2000 Yang  
D439,890 S 4/2001 Skulley et al.  
D443,603 S 6/2001 Taylor et al.  
D447,472 S 9/2001 McGugan  
D447,734 S 9/2001 Chuang  
D447,743 S 9/2001 Ma  
D449,290 S 10/2001 Taylor et al.

(57) **CLAIM**

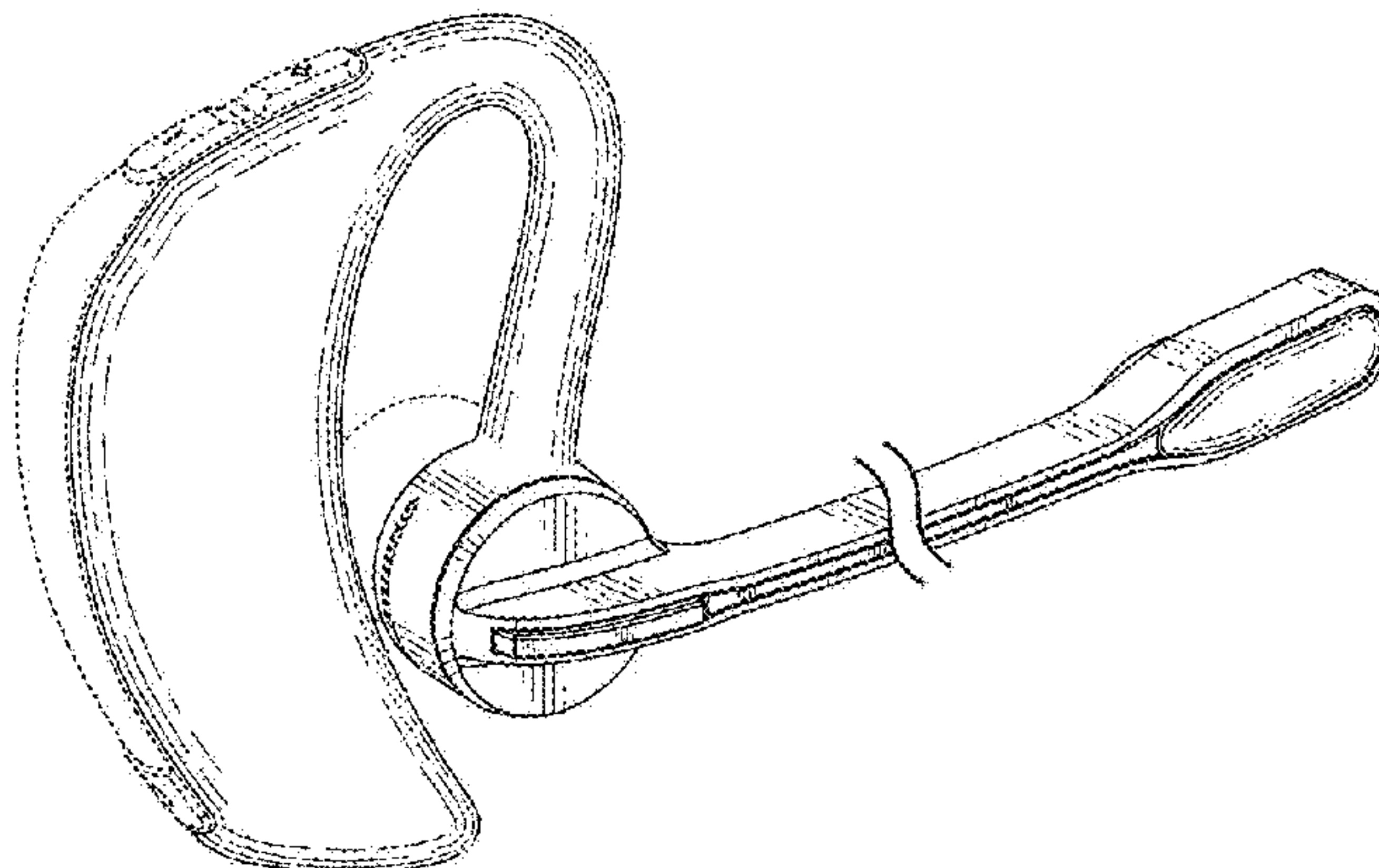
The ornamental design for a communications headset, as shown and described.

**DESCRIPTION**

FIG. 1 is front-top-right perspective view of a communications headset showing our new design, the microphone boom is broken away to show indeterminate length;  
FIG. 2 is a front view thereof;  
FIG. 3 is a back view thereof;  
FIG. 4 is a left side view thereof;  
FIG. 5 is a right side view thereof;  
FIG. 6 is a top view thereof; and,  
FIG. 7 is a bottom view thereof.  
The broken lines showing of the unclaimed environment forms no part of the claimed design.

**1 Claim, 3 Drawing Sheets**

**Matter enclosed in heavy brackets [ ] appears in the original patent but forms no part of this reissue; matter printed in italics indicates the additions made by reissue.**



**(Amended)**

(56)

**References Cited**

U.S. PATENT DOCUMENTS

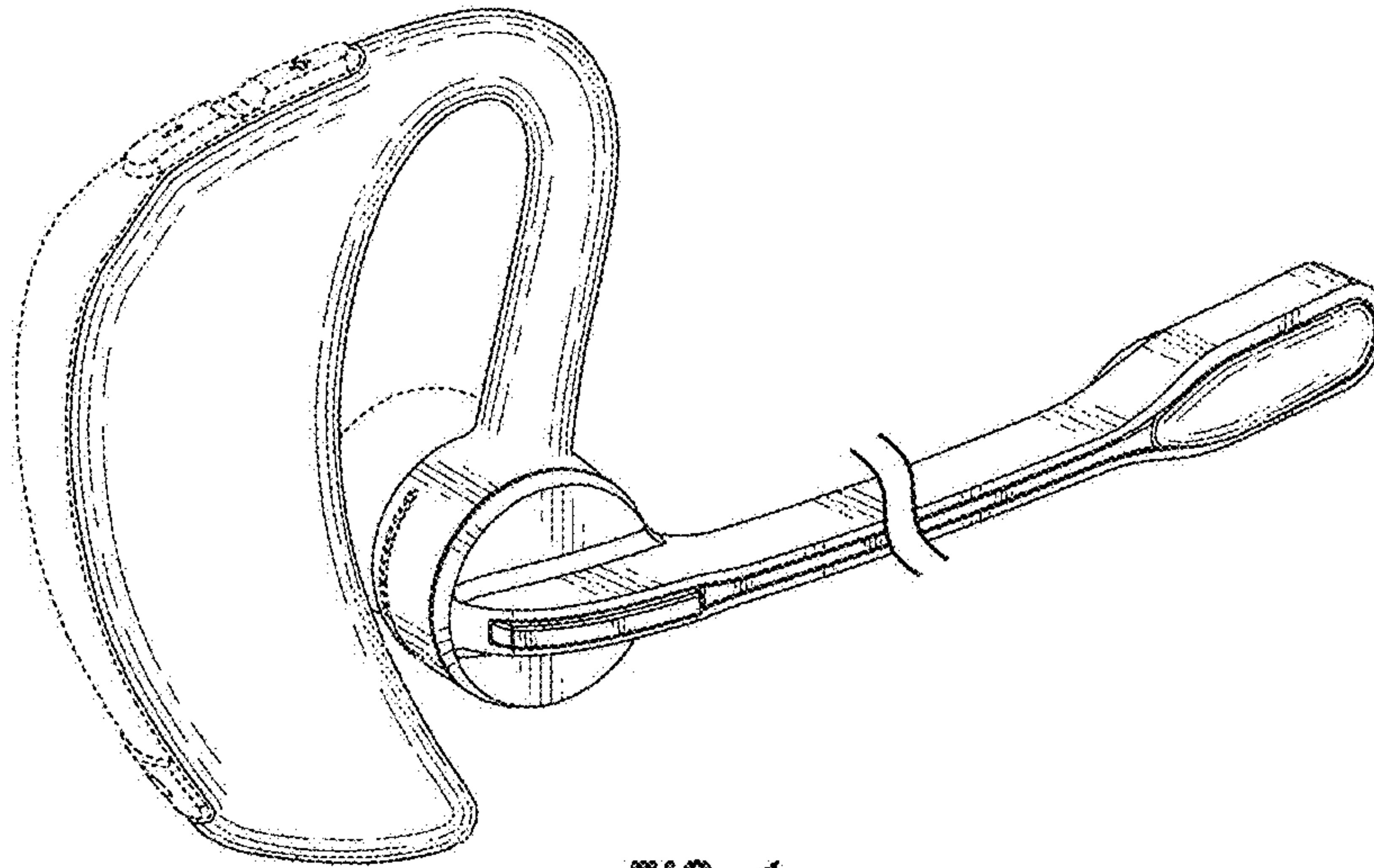
D464,951 S 10/2002 Skulley et al.  
 D469,081 S 1/2003 Perszyk et al.  
 D470,478 S 2/2003 Kohli et al.  
 D474,171 S 5/2003 Suzuki  
 D474,178 S 5/2003 Eroma  
 6,560,346 B2 5/2003 Ohta et al.  
 D476,645 S 7/2003 Padala et al.  
 D477,821 S 7/2003 Bieltvedt et al.  
 D480,072 S 9/2003 Ham  
 D490,398 S 5/2004 Gwee  
 D490,399 S 5/2004 Kamo et al.  
 6,768,804 B1 7/2004 Isvan  
 6,771,790 B2 8/2004 Liu  
 D504,419 S 4/2005 Bey et al.  
 D504,673 S 5/2005 Dyer et al.  
 D504,887 S 5/2005 Skulley

D505,413 S 5/2005 Skulley et al.  
 D506,462 S \* 6/2005 Han et al. .... D14/205  
 D512,984 S 12/2005 Ham  
 D515,074 S \* 2/2006 Jacobson et al. .... D14/225  
 D519,498 S \* 4/2006 Ham ..... D14/225  
 7,089,042 B2 \* 8/2006 Bodley ..... 455/569.1  
 7,106,873 B1 \* 9/2006 Harrison et al. .... 381/330  
 D535,980 S \* 1/2007 Bentley et al. .... D14/225  
 D537,815 S \* 3/2007 Bentley et al. .... D14/225  
 D539,266 S 3/2007 Bentley et al.  
 D581,900 S \* 12/2008 Caddes et al. .... D14/206  
 D584,719 S \* 1/2009 Brennwald ..... D14/223

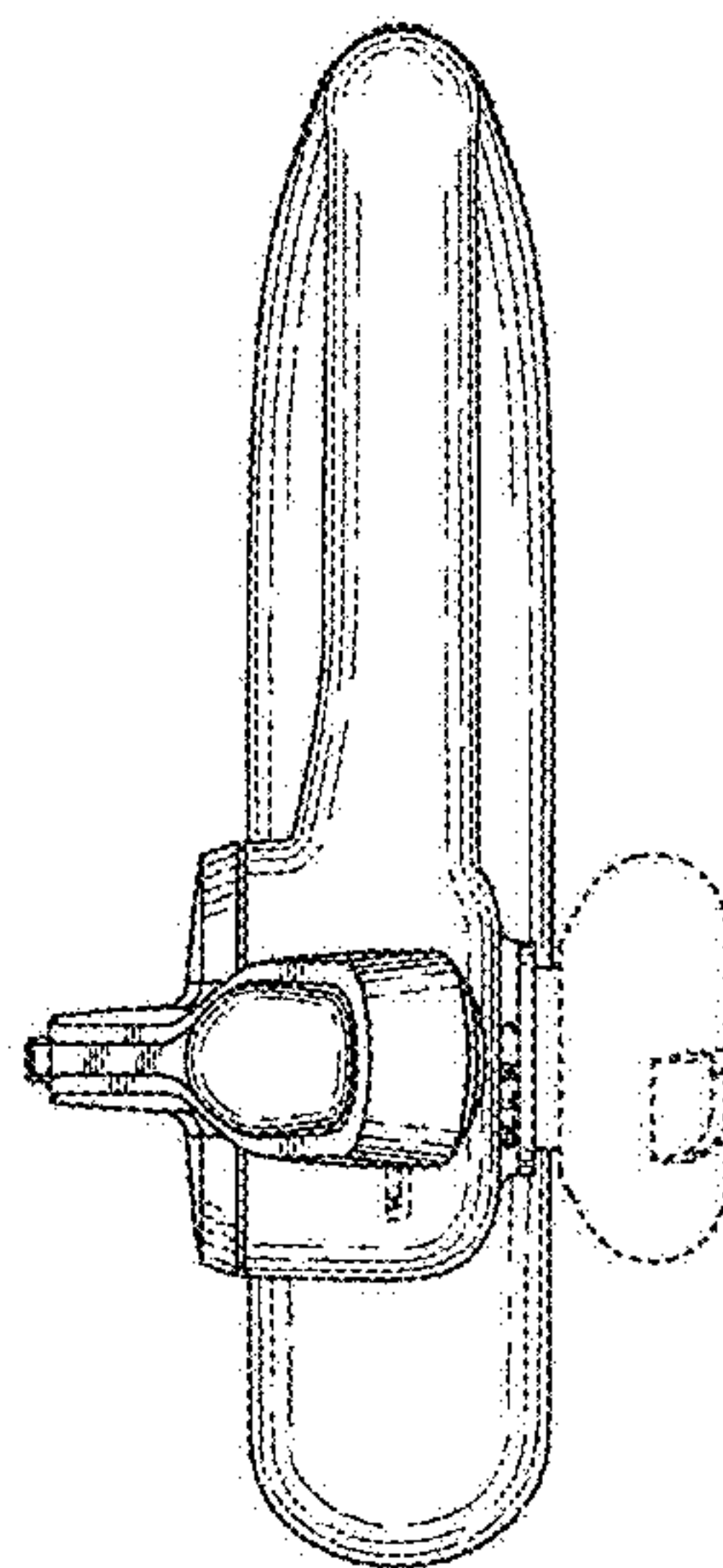
OTHER PUBLICATIONS

Sennheiser Communications. VMX 100 Headset Instruction Manual. May 2005. pp. 1, 6-17, 148. China.

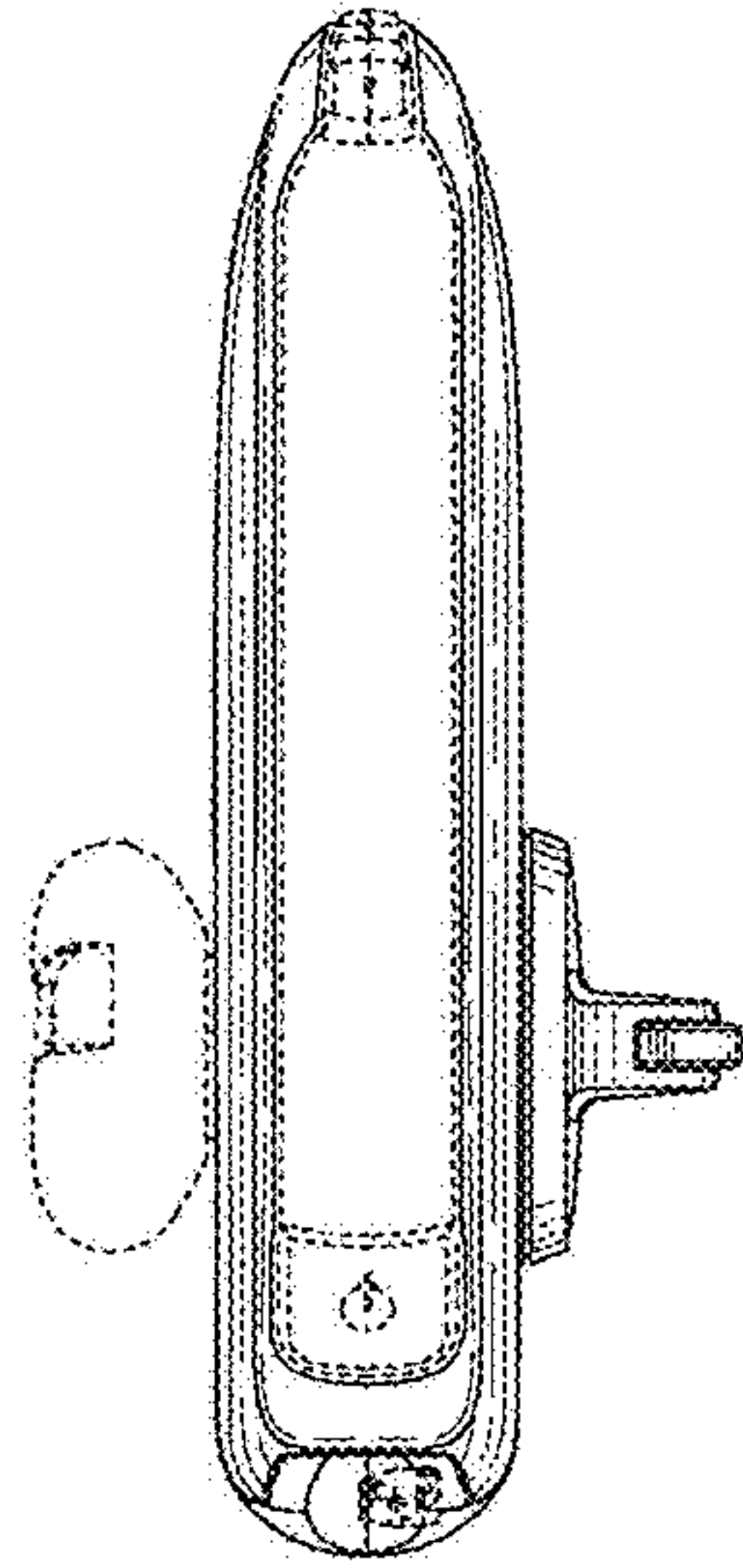
\* cited by examiner



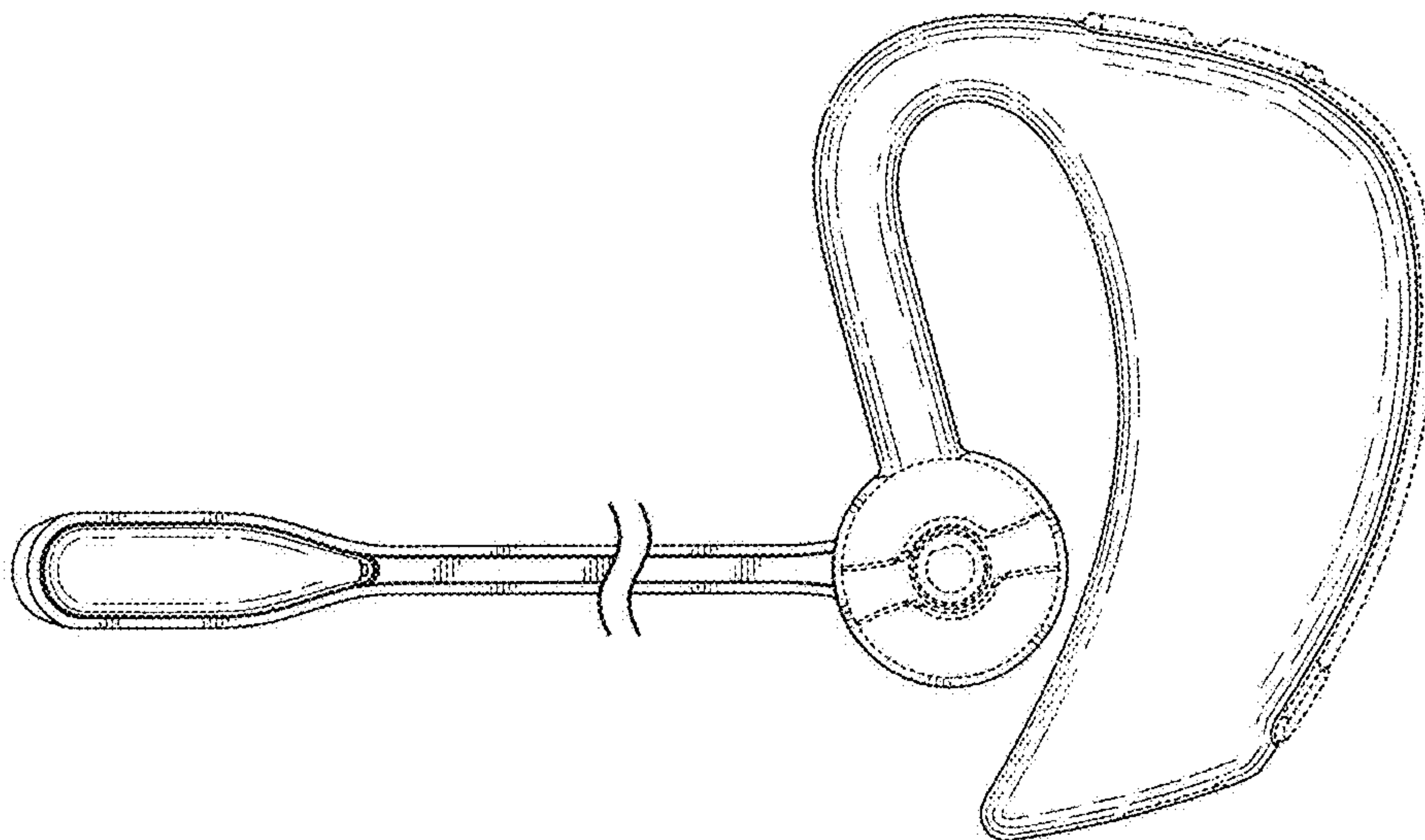
**FIG. 1**  
**(Amended)**



**FIG. 2**

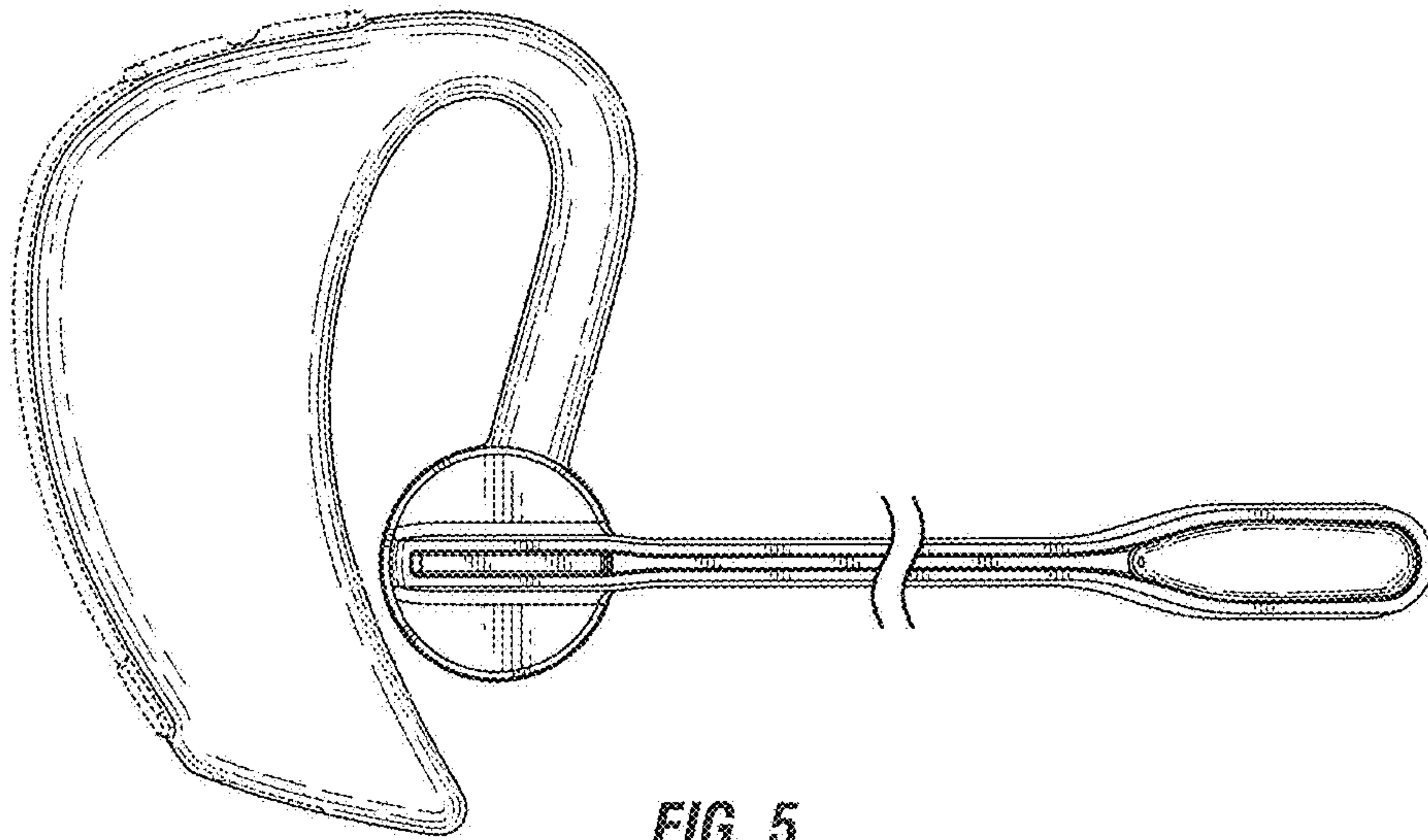


**FIG. 3**  
**(Amended)**

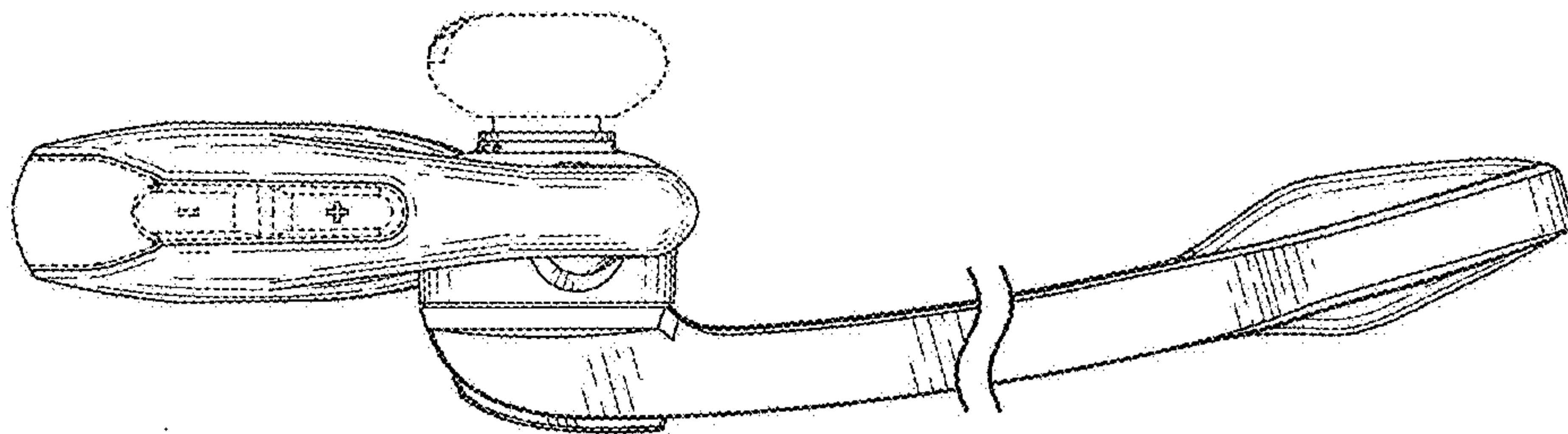


**FIG. 4**  
**(Amended)**

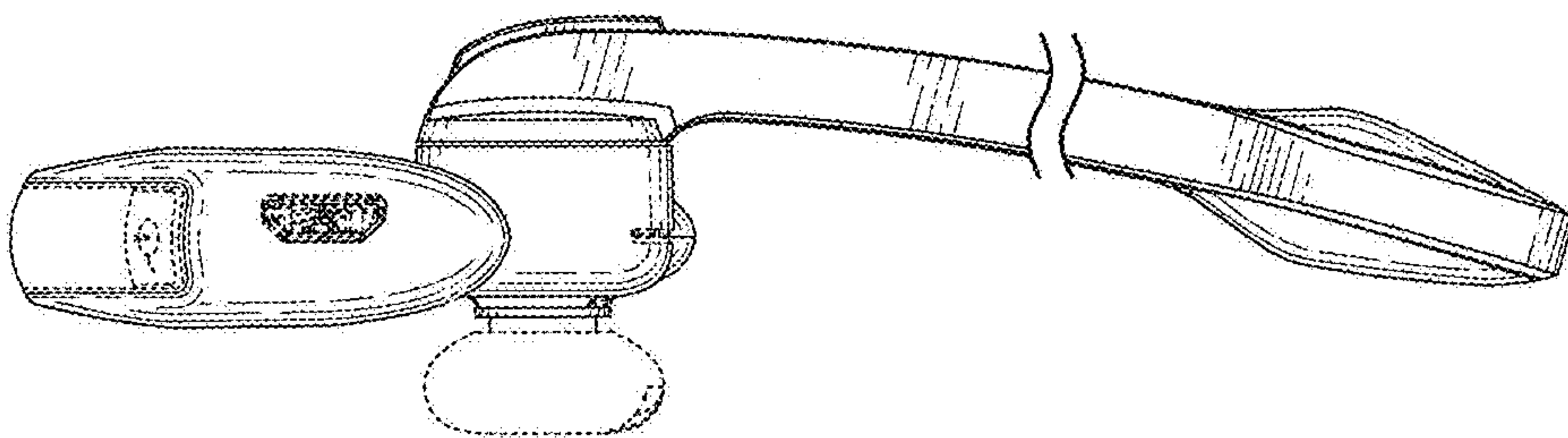




**FIG. 5**  
(Amended)



**FIG. 6**  
(Amended)



**FIG. 7**  
(Amended)