

US00RE44609E

(19) **United States**  
(12) **Reissued Patent**  
**Robertson**

(10) **Patent Number:** **US RE44,609 E**  
(45) **Date of Reissued Patent:** **Nov. 26, 2013**

(54) **SHOCK ABSORBER ASSEMBLY**  
(76) Inventor: **Graeme Kershaw Robertson, Yandina**  
(AU)  
(21) Appl. No.: **13/080,921**  
(22) Filed: **Apr. 6, 2011**

3,647,239 A 3/1972 Katsumori  
3,820,772 A 6/1974 Kerr et al.  
3,833,248 A \* 9/1974 Wossner et al. .... 293/134  
3,853,311 A \* 12/1974 Kreuzer et al. .... 267/64.26  
3,882,977 A \* 5/1975 Watanabe ..... 188/322.14  
4,078,638 A 3/1978 Koyama et al.  
4,153,145 A \* 5/1979 Ellis et al. .... 188/274  
4,381,857 A 5/1983 Cook  
4,428,567 A 1/1984 Fournales

(Continued)

**Related U.S. Patent Documents**

Reissue of:

(64) Patent No.: **7,513,490**  
Issued: **Apr. 7, 2009**  
Appl. No.: **10/567,947**  
PCT Filed: **Aug. 12, 2004**  
PCT No.: **PCT/AU2004/001077**  
§ 371 (c)(1),  
(2), (4) Date: **Feb. 10, 2006**  
PCT Pub. No.: **WO2005/015384**  
PCT Pub. Date: **Feb. 17, 2005**

**FOREIGN PATENT DOCUMENTS**

AU 2003203440 A1 6/2003  
DE 35 43 156 A1 6/1987

(Continued)

*Primary Examiner* — Christopher Schwartz  
(74) *Attorney, Agent, or Firm* — Cascio & Zervas

(30) **Foreign Application Priority Data**

Aug. 12, 2003 (AU) ..... 2003904272

(51) **Int. Cl.**  
**F16F 9/14** (2006.01)  
(52) **U.S. Cl.**  
USPC ..... **267/64.15; 188/315; 188/318; 188/322.2**  
(58) **Field of Classification Search**  
USPC ..... 188/282.2–282.6, 282.9, 300, 315, 317,  
188/318, 319.1, 319.2, 322.15–322.22;  
267/64.12, 64.15, 119, 120, 126  
See application file for complete search history.

(57) **ABSTRACT**

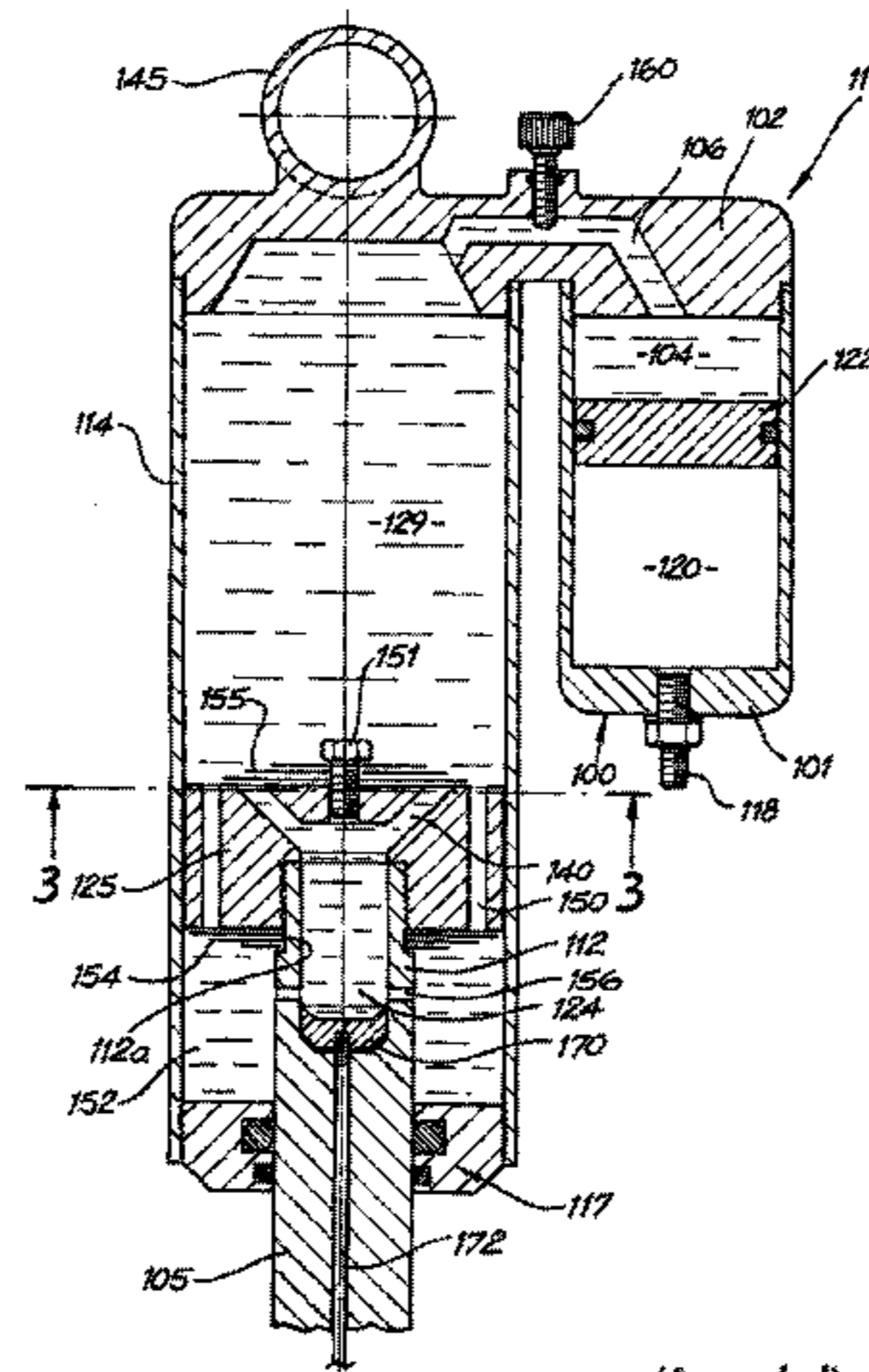
A shock absorber assembly includes a motion damping means that is filled with a fluid in operation and has a pair of relatively moveable parts (12, 14) and valve means (26) permitting flow of the fluid between the parts. The parts comprise a first part (12) and a second part (14) in which the first part is receivable whereby the parts are arranged for relative retracting and extending movement during which fluid is forced through the valve means (26) at respective predetermined controlled flow rates so as to dampen the movement. The relatively moveable parts contain respective primary chambers (24, 29) for the fluid. The first part is substantially smaller in cross-section than the second part to define an intermediate chamber (52) about the first part within the second part. Lateral port means (56) communicates the intermediate chamber (52) and the primary chamber (24) of first part (12). The flows at respective predetermined controlled flow rates are limited to respective flows (i) directly from the primary chamber (24) of the first part (12) to the primary chamber (29) of the second part (14) and (ii) via the intermediate chamber (52) and lateral port means (56) from the primary chamber (29) of the second part (14) to the primary chamber (24) of the first part (12).

(56) **References Cited**

**U.S. PATENT DOCUMENTS**

2,159,040 A \* 2/1939 Binder et al. .... 188/298  
2,348,160 A \* 5/1944 Thornhill ..... 267/64.15  
2,570,362 A 10/1951 Mercier  
2,748,898 A \* 6/1956 Bourcier ..... 188/317  
3,083,000 A 3/1963 Perdue  
3,593,977 A \* 7/1971 Hahn ..... 267/64.19

**24 Claims, 3 Drawing Sheets**



(Amended)

# US RE44,609 E

Page 2

(56)

## References Cited

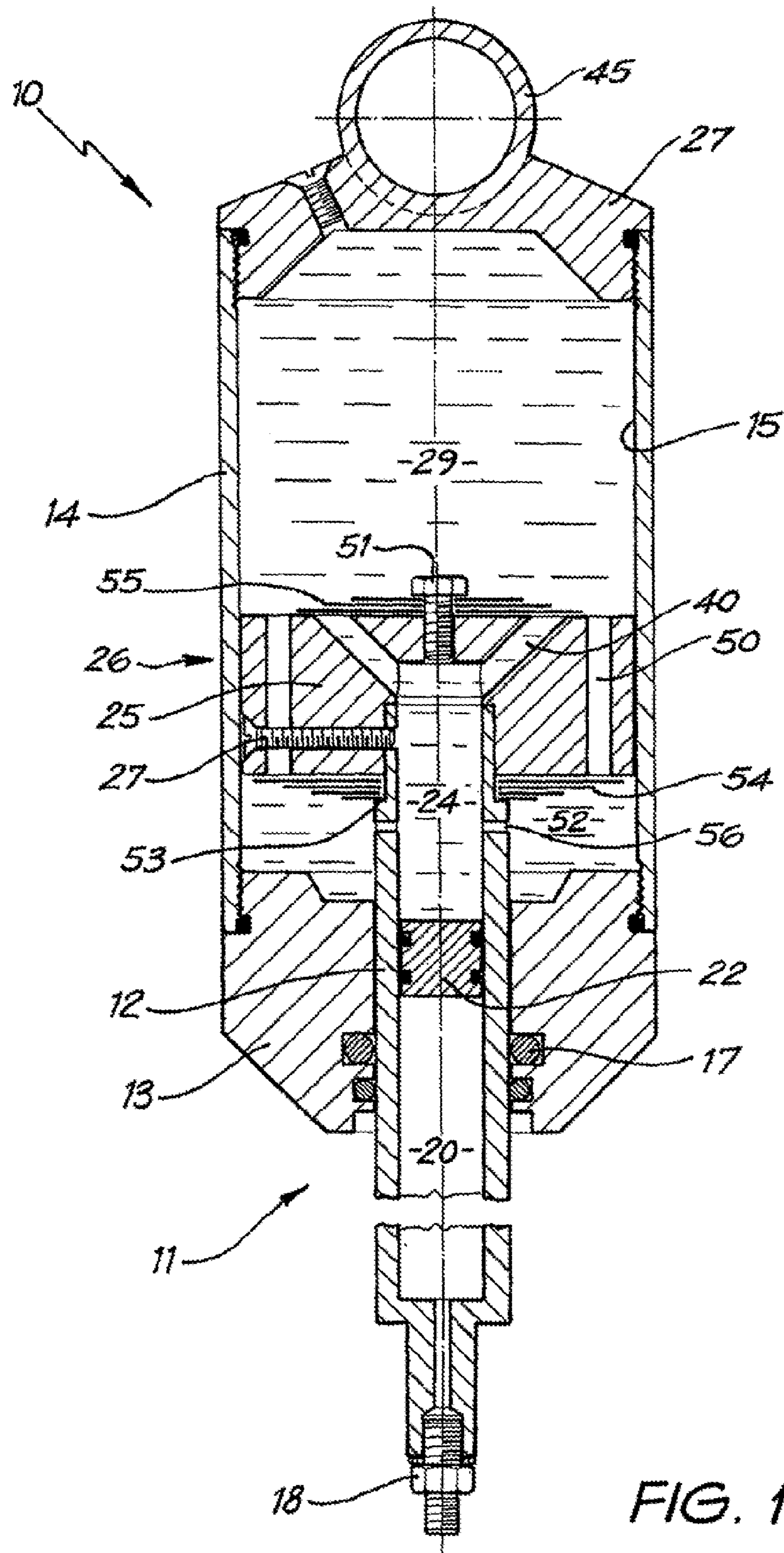
## FOREIGN PATENT DOCUMENTS

### U.S. PATENT DOCUMENTS

5,174,598	A	12/1992	Sato et al.	
5,178,239	A *	1/1993	Homme .....	188/315
5,277,283	A *	1/1994	Yamaoka et al. ....	188/282.2
5,384,706	A	1/1995	Uchiyama et al.	
2,724,590	A	11/1995	Irwin	
6,152,432	A *	11/2000	Perrin .....	267/64.15
6,311,961	B1 *	11/2001	Julia .....	267/64.17
6,352,145	B1 *	3/2002	DeMolina et al. ....	188/281
6,371,264	B1 *	4/2002	Deferme .....	188/322.15
6,668,987	B2 *	12/2003	Bataille et al. ....	188/282.5

DE	38 13 021 A1	11/1989
EP	0 882 907 A1	12/1998
GB	2 196 092 A	4/1988
GB	2 321 687 A	5/1998
GB	2321687 A	8/1998
JP	10-86627	4/1998
SU	645881 A	2/1979

\* cited by examiner





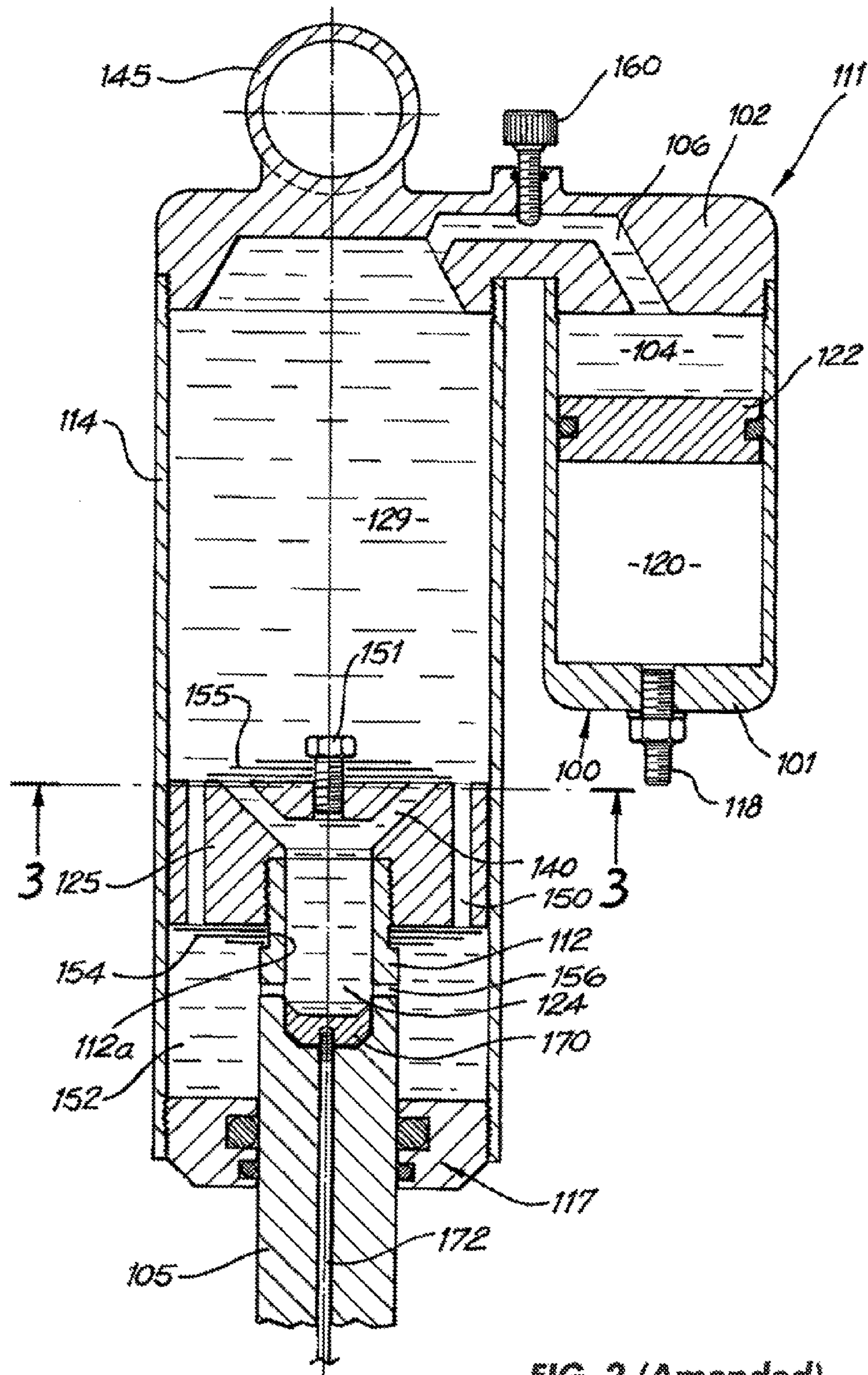


FIG. 2 (Amended)

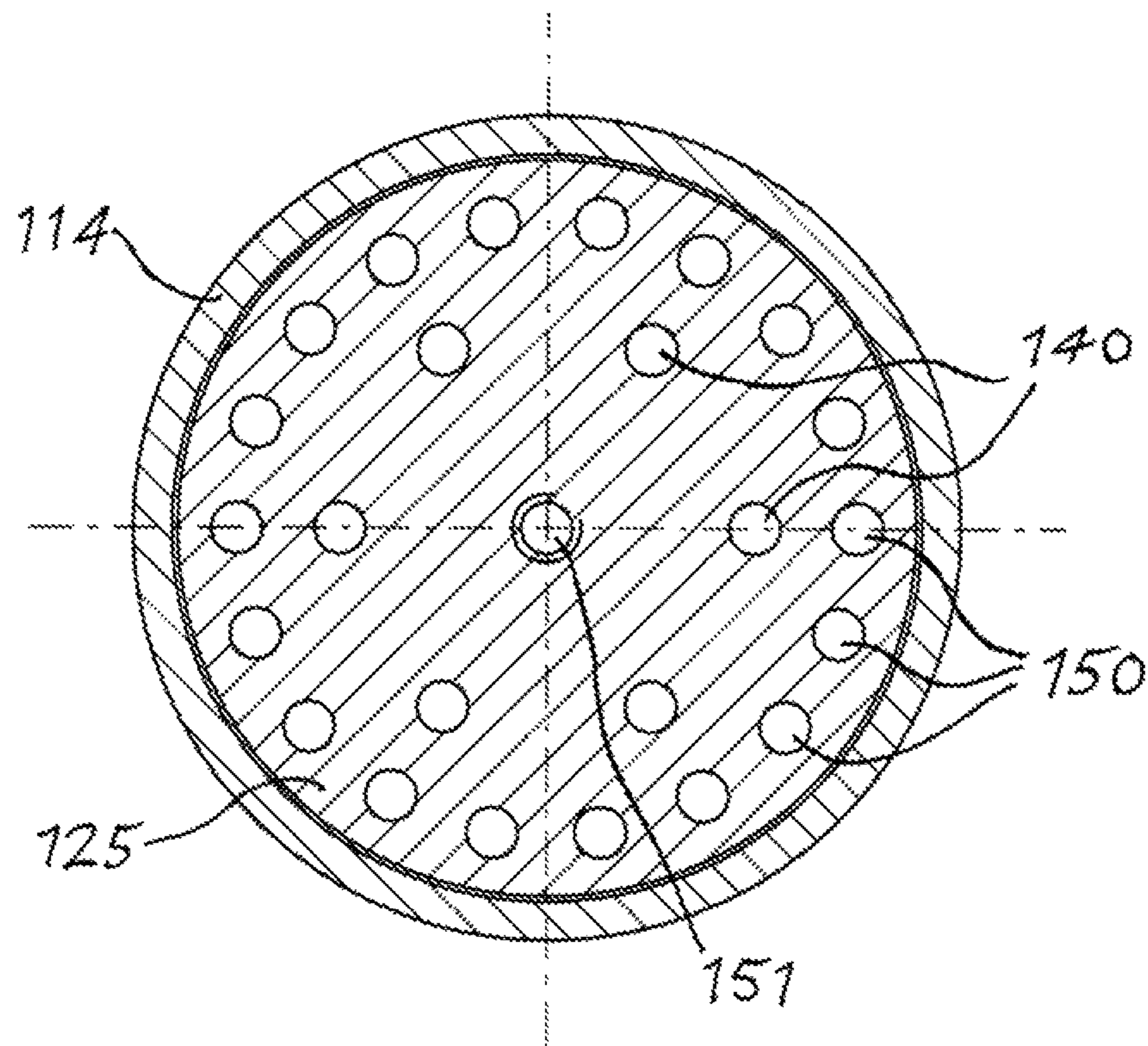


FIG. 3 (New)



## SHOCK ABSORBER ASSEMBLY

**Matter enclosed in heavy brackets [ ] appears in the original patent but forms no part of this reissue specification; matter printed in italics indicates the additions made by reissue.**

## FIELD OF THE INVENTION

This invention relates generally to shock absorbers but is particularly useful for shock absorber assemblies in vehicle suspension systems, especially in heavy duty applications such as trucks and industrial vehicles, and off-road racing vehicles. The invention will primarily be described in this context in this specification but it will be understood that the invention is broadly applicable to shock absorbers in general. Other applications include motorcycles, industrial machinery, industrial switch gear systems, and suspension systems for seats, particularly vehicle seats, truck cab suspensions or the like.

## BACKGROUND ART

Vehicle suspension systems fall into a variety of broad sub-classes according to the mechanism by which motion is damped and smoothed. One such sub-class relies on a fluid system in which a suitable, typically substantially incompressible, fluid is forced through one or more valve devices at one or more predetermined controlled rates so as to dampen a relative movement, typically a reciprocal telescopic movement, between two components. The valve devices are typically double-acting and so are relatively complex, requiring separate ducting and separate one-way valving for each direction of flow. Resiliently deformable or axially moveable shim packs are a typical form of one-way valving, while flow passages for the two directions of flow are commonly accommodated in a single valve body.

It is an object of the invention to provide an improved shock absorber assembly of the type having a fluid damping mechanism.

## SUMMARY OF THE INVENTION

The invention provides a shock absorber assembly including a motion damping means that is filled with a fluid in operation and has a pair of relatively moveable parts and valve means permitting flow of the fluid between the parts, the parts comprising a first part and a second part in which the first part is receivable whereby the parts are arranged for relative retracting and extending movement during which fluid is forced through said valve means at respective predetermined controlled flow rates so as to dampen said movement.

The relatively moveable parts contain respective primary chambers for the fluid and the first part is substantially smaller in cross-section than the second part to define an intermediate chamber about the first part within the second part. There is further included lateral port means communicating the intermediate chamber and the primary chamber of the first part. The aforesaid flows at respective predetermined controlled flow rates are limited to respective flows (i) directly from the primary chamber of the first part to the primary chamber of the second part and (ii) via said intermediate chamber and lateral port means from the primary chamber of the second part to the primary chamber of the first part.

Preferably, the first and second parts comprise telescopically interengaged tubes respectively of relatively smaller and larger diameter. Advantageously, the valve means is provided in a valve body fixed at an inner end of the tube com-

prising the first part. The lateral port means then conveniently comprises a plurality of spaced individual ports in the tube comprising the first part.

Preferably, the lateral port means is positioned whereby, during extending movement, the lateral port means is covered near the end of the movement, whereby fluid in the intermediate chamber cushions further extending movement.

The assembly may further include respective sets of shims in part determining the respective predetermined controlled flow rates and further determining the respective directions of flow.

The assembly preferably further includes pressurised-gas cushioning means including structure defining a first cavity for storing a pressurised gas and a second cavity for storing a fluid under pressure, and a floating piston sealingly separating the cavities, wherein the second cavity is in fluid flow communication with the motion damping means. Further preferably, said movement is such that when the aforesaid parts relatively extend, fluid is caused to flow from the second cavity of the pressurised-gas cushioning means to the damping means whereby gas pressure in the first cavity moves the floating piston to reduce the gas pressure in the first cavity, and when the parts relatively retract, fluid is caused to flow from the damping means to the second cavity whereby to move the floating piston to increase the gas pressure of the gas in the first cavity.

In one embodiment, the first part of the motion damping means and the aforesaid structure of the pressurised-gas cushioning means are integral whereby the second cavity and the primary chamber of the first part comprise a single chamber. For example, the first part of the motion damping means and the structure of the pressurised-gas cushioning means are provided by a single tube.

In an alternative embodiment, the pressurised-gas cushioning means and the motion damping means are substantially separate units and a conduit is provided for the fluid flow communication between the motion damping means and the second cavity. In one arrangement, this conduit is between the primary chamber of the first part of the motion damping means and the second cavity. Alternatively, the conduit may be between the primary chamber of the second part of the motion damping means and the second cavity.

The valve means may be such that the respective predetermined controlled flow rates in the respective directions are different whereby to vary the damping characteristics according to whether the aforesaid movement is relative retracting or extending movement.

The assembly may further include cooling means for reducing the temperature of the assembly during operation.

## BRIEF DESCRIPTION OF THE DRAWINGS

The present invention will now be described, by way of example only, with reference to the accompanying drawings, in which:

FIG. 1 is a fragmentary cross-sectional view of a shock absorber assembly according to a first embodiment of the invention, incorporating pressurised-gas cushioning means in an integrated telescopic structure; [and]

FIG. 2 is a similar view of a second embodiment of the invention in which the pressurised-gas cushioning means is provided in a separate housing; and

FIG. 3 is a cross sectional view taken along line 3-3 in FIG. 2.

## DESCRIPTION OF EMBODIMENTS OF THE INVENTION

The shock absorber assembly illustrated in FIG. 1 is an integrated shock absorber unit **10** that includes pressurised-



gas cushioning means **11** and would typically be one of a number of such units forming auxiliary components of a suspension system in a vehicle. The units may be acting individually or be linked in a fluid circuit to provide a managed and balanced suspension response.

Shock absorber unit **10** has a first cylindrical tube **12** received within a second cylindrical tube **14** so that the two tubes constitute mutually reciprocally moveable parts. Tube **12** is connected to tube **14** through a head **13** of tube **14** that includes a sealing configuration **17** about tube **12**.

Tube **12** incorporates gas cushioning means **11** and to this end is provided, in this case at its outboard or proximal end, with a filling valve **18** for introducing gas, such as nitrogen or similar, under pressure into the tube **12** to fill a first cavity or chamber **20** located at or towards the proximal end of tube **12** for storing gas under pressure. A double sided floating piston **22** or other suitable separating element, eg. a diaphragm or the like, is provided intermediate the two ends of tube **12**. The first chamber **20** is formed between filling valve **18** and piston **22**. A second chamber **24** is formed between piston **22** and the inboard or distal end of tube **12**. Hydraulic fluid fills the second chamber **24** of tube **12**.

A double acting valve arrangement **26** is provided in a valve body **25** at or towards the inboard or distal end of tube **12**. Valve body **25** slidably engages the cylindrical interior surface **15** of tube **14** and separates chamber **24** from larger chamber **29** defined within tube **14** between valve body **25** and an end cap **27** of tube **14**. Elsewhere in this specification, chambers **24**, **29** are referred to as the primary chambers of tubes **12**, **14**.

Valve arrangement **26**, and tubes **12**, **14** form motion damping means filled with hydraulic fluid in operation. Valve body **25** moves through the hydraulic fluid or the hydraulic fluid moves through the valve body in accordance with corresponding movement of tube **12**, depending on whether the valve body **25** is fixed or free to move. Preferably, the valve arrangement is fixed about the end of tube **12** by transverse fastening screws **27**.

Tube **12** is substantially smaller (an internal cross-sectional area ratio of the order of 1:12) in cross-section than tube **14** so that an intermediate variable-volume annular chamber **52** is provided within tube **14** and about tube **12** between head **13** and valve body **25**. Fluid communication between chamber **24** and chamber **52** is provided by a ring of bleed ports **56** in tube **12**, displaced axially from valve body **25**.

The individual valving of valve arrangement **26** is such to allow fluid to flow in one direction at one rate when tube **12** moves in a first axial direction and to flow in the opposite direction at a second rate when tube **12** moves in the opposite direction. The rate of movement of fluid through the valving is dependent on the number, size and arrangement of the apertures, ports or ducts **40**, **50**, and on the flow control elements, in this case shim packs **54**, **55**, forming the actual valving within valve arrangement **26**.

More specifically, when the tubes **12**, **14** relatively retract, ie., during compression, fluid is forced into chamber **52** via a ring of outer ducts **50** parallel to the axis of the valve body **25** within and adjacent the periphery of the valve body, against annular non-return shim pack **54**. Shim pack **54** is retained about a rebated end portion **12a** of tube **12** between valve body **25** and a peripheral shoulder **53** on the tube. From chamber **52**, fluid flows into chamber **24** via ports **56**. On extension or rebound, shim pack **54** closes ducts **50**, and fluid flows from chamber **24** into chamber **29** via a ring of oblique ports **40** of valve arrangement **26**, controlled by disc-like non-return shim pack **55**. Shim pack **55** is retained on the outer face of valve body **25** by an axially located bolt **51**. In

other embodiments, shim packs **54**, **55** may be substituted by other forms of one-way or non-return valve, eg. spring-loaded ball valves.

When head **13** passes ports **56**, the residual fluid in chamber **52** cushions further relative motion of tubes **12**, **14**, and thereby provides hydraulic top-out.

Both ends of integrated unit **10** are provided with suitable fittings such as eye **45** to enable the unit to be located in place as part of the suspension system of a motor vehicle. It is to be noted that any suitable fitting can be provided at either or both ends of this form of the unit. If necessary or desirable, one or both of tubes **12**, **14** can be provided as desired with cooling fins to cool component **10** in use, or with outer cooling jackets for receiving recycled coolant to cool component **10**. Additionally or alternatively, the outer surface of damping tube **14** (especially about chamber **52**) is provided with removable, replaceable and/or interchangeable air cooling fins locatable around the outside of the outer wall of tube **14** for increased cooling if required.

In operation of this form of the shock absorber unit, the outboard end of damping tube **14** is fixedly located to suspension components of the wheel of a motor vehicle, or to another component which is connected either directly or indirectly to a road wheel of the vehicle, so as to act as a shock absorber for the suspension component. Thus, tube **14** moves in accordance with substantially vertical movement of the wheel over bumpy or rough terrain or the like. The outboard end of tube **12** is connected to the body work of the motor vehicle or other fixed component and is thus fixed in place.

In operation when a road wheel encounters a bump in the form of a crest or rise or similar, damping tube **14** is forced by the suspension of the wheel towards tube **12** so that the length of the combined component **10** is reduced. In turn, the inboard end of tube **12** is forced further into the body of tube **14**, thereby pumping hydraulic fluid from within tube **14** through valve arrangement via ducts **50** into chamber **52**, then via ports **56** into chamber **24**. As the volume of fluid being forced into chamber **24** increases, piston **22** travels axially along the inside wall of tube **12** towards the outboard or proximal end of this tube thereby further compressing the gas in chamber **20** and increasing the internal pressure within component **10**. This in turn offers increasing resistance to further movement of tube **14**, thus limiting the amount of travel of tube **14** which in turn limits the amount of travel of the road wheel in a substantially vertically upwards direction.

When the road wheel returns to its normal position, such as for example, when rebounding or when encountering a trough or crest in the road, the length of integrated unit **10** is increased by tubes **12** and **14** telescopically expanding with respect to each other, thereby allowing fluid to move from chamber **24** into tube **14** via ducts **40**. This reduces the amount of fluid in chamber **24**, allowing piston **22** to move under the increased gas pressure of the compressed gas stored in chamber **20** which in turn reduces the compression or gas pressure of the gas in chamber **20**. Further fluid is pumped into tube **14** until all of the pressures equilibrate. The rate at which fluid can flow through valve arrangement **26** limits the amount of travel of the road wheel in the substantially vertically downward direction.

The arrangement of valve body **25** so that fluid flow between chambers **24**, **29** in one direction is via annular intermediate chamber **52**, instead of directly between chambers **24** and **29** in both directions, permits a much clearer and simpler construction of the valve body. The two sets of multiple, angularly-spaced ducts **40**, **50** can be radially separated rather than entwined in a common radial zone, which both simplifies construction and improves flow lines. Further sim-



5

plification arises because the intake ports of each duct set are automatically clear of the shim pack for the other duct set because of the radial spacing. The resulting improved fluid flow lines reduces heat build-up at the valving, an important benefit in heavy duty applications such as off-road vehicle racing.

A further benefit of the illustrated construction is that the clean separation of the duct and shim packs for the two directions of fluid flow permits better rebound control because of the radially distinct flow locations, and additionally permits incorporation of a cushioning hydraulic top out on the extension stroke in the manner already noted.

The presence of the high pressure gas cushioning features provides the ability to adjust the gas pressure to an appropriate level and so reduce the incidence of "bottoming out" of the suspension system. Operational parameters can also be adjusted by modifying the shim packs or varying the cross-sectional sizes and/or numbers of ducts **40**, **50** and ports **56**.

FIG. 2 depicts a second embodiment **110** into which the gas cushioning means is provided as a separate unit **111** in housing **100**. Elements of this embodiment having counterparts in the first embodiment are indicated by like same reference numerals preceded by a "1". Tube **12** of the first embodiment has been replaced by a solid shaft **105** axially bored at one end to define a tubular segment **112** and chamber **124**. Ports **156** are provided in this tubular segment **112**.

Gas cushioning unit **111** comprises a generally cylindrical housing **100** with closed ends **101**, **102**, divided internally by a floating piston **122** into a hydraulic fluid or oil chamber **104** and a pressurised-gas chamber **120**. Gas filling valve **118** for chamber **120** is provided in cylinder end **101**. Chamber **104** is in open flow communication with primary fluid chamber **129** via duct **106**, which opens into chamber **129** at its axial end opposite valve body **125**.

It will of course be appreciated that, while FIG. 2 shows housing **100** in close proximity to tube **114**, this is by no means necessary. Housing **100** might be alternatively located at a remote location, and duct **106** might then be a flexible line linking the two chambers **104**, **129**.

This embodiment functions in a similar manner to the first embodiment. However, the provision of the high-pressure gas cushioning in a larger diameter auxiliary chamber allows a more effective rising rate during operation, especially compared to conventional shock absorbers where the piston moves very little and so there is little change in rising rate.

In the second embodiment **110**, rebound compression adjustment can be achieved by modifying shim packs **154**, **155**, or compression can be increased by varying the gas pressure in chamber **120** using filling valve **118**. Compression can be adjusted by using adjuster restrictor **160** to vary the flow through duct **106**. Rebound is adjustable by axial movement of internal end cap **170** in chamber **124**, utilising rod **172**, to restrict flow through ports **156**.

The invention claimed is:

**1.** A shock absorber assembly including: a motion damping means that is filled with a fluid in operation and has a pair of relatively moveable parts and valve means permitting flow of said fluid between said parts, said parts comprising a first part and a second part in which the first part is receivable whereby the parts are arranged for relative retracting and extending movement during which fluid is forced through said valve means at respective predetermined controlled flow rates so as to dampen said movement; wherein said relatively moveable parts contain respective primary chambers for said fluid and said first part is substantially smaller in [cross-section] *cross section* than said second part to define an intermediate chamber about the first part within the second part; and wherein

6

[there is] *the first part* further [included] *includes* lateral port means communicating said intermediate chamber and said primary chamber of the first part; and wherein said flows at respective predetermined controlled flow rates are limited to [respective] flows (i) *through a piston* directly from the primary chamber of the [first] *second* part to the [primary] *intermediate* chamber [of the second part] and (ii) [via] *from* said intermediate chamber [and] *through the* lateral port means of *the first part into the primary chamber of the first part, then through the piston* from the primary chamber of the [second] *first* part to the primary chamber of the [first] *second* part; [characterized in that said] *and wherein the* valve means includes peripheral compression ports and [a central] *at least one* rebound port *radially separated inwardly from the peripheral compression ports* such that the differences in flow rates of said compression and rebound ports provides differential fluid flow rates for [the compression and rebound stroke] *said relative retracting and extending movements of the first and second parts* of said assembly.

**2.** A shock absorber assembly according to claim **1** wherein said first and second parts comprise telescopically interengaged tubes respectively of relatively smaller and larger diameter.

**3.** A shock absorber assembly according to claim **2** wherein said valve means is provided in a valve body fixed at an inner end of the tube comprising said first part.

**4.** A shock absorber assembly according to claim **3** wherein said lateral port means comprises a plurality of spaced individual ports in said tube comprising said first part.

**5.** A shock absorber assembly according to claim **3** wherein said lateral port means is positioned whereby, during said extending movement, the lateral port means is covered near the end of the movement, whereby fluid in said intermediate chamber cushions further extending movement.

**6.** A shock absorber assembly according to claim **2** wherein said lateral port means comprises a plurality of spaced individual ports in said tube comprising said first part.

**7.** A shock absorber assembly according to claim **6** wherein said lateral port means is positioned whereby, during said extending movement, the lateral port means is covered near the end of the movement, whereby fluid in said intermediate chamber cushions further extending movement.

**8.** A shock absorber assembly according to claim **2** wherein said lateral port means is positioned whereby, during said extending [movemnet,] *movement* the lateral port means is covered near the end of the movement, whereby fluid in said intermediate chamber cushions further extending movement.

**9.** A shock absorber assembly according to claim **1**, further including pressurized-gas cushioning means including structure defining a first cavity for storing a pressurized gas and a second cavity for storing a fluid under pressure, and a floating piston sealingly separating said cavities, wherein said second cavity is in fluid flow communication with said motion damping means.

**10.** A shock absorber assembly according to claim **9**, wherein said movement is such that when said parts relatively extend, fluid is caused to flow from said second cavity of the pressurized-gas cushioning means to the damping means whereby gas pressure in said first cavity moves the floating piston to reduce the gas pressure in the first cavity, and when said parts relatively retract, fluid is caused to flow from the damping means to said second cavity whereby to move the floating piston to increase the gas pressure of the gas in the first cavity.

**11.** A shock absorber assembly according to claim **10** wherein said first part of the motion damping means and said structure of the pressurized-gas cushioning means are inte-



7

gral whereby said second cavity and said primary chamber of the first part comprise a single chamber.

12. A shock absorber assembly according to claim 10 wherein said pressurized gas cushioning means and said motion damping means are substantially separate units and a conduit is provided for said fluid flow communication between the motion damping means and said second cavity.

13. A shock absorber assembly according to claim 9, wherein said first part of the motion damping means and structure of the pressurized-gas [cushoning] cushioning means are integral whereby said second cavity and said primary chamber of the first part comprise a single chamber.

14. A shock absorber assembly according to claim 13, wherein said first part of the motion damping means and said structure of the pressurized-gas cushioning means are provided by a single tube.

15. A shock absorber [assembly] assembly according to claim 1[,] wherein said pressurized-gas cushioning means and said motion damping means are [substantially] substantially separate units and a conduit is provided for said flow communication between the motion damping means and said second cavity.

16. A shock absorber assembly according to claim 15 wherein said conduit is between the primary chamber of the first part of the motion damping means and said second cavity.

17. A shock absorber assembly according to claim 15 wherein said conduit is between the primary chamber of the second part of the motion damping means and said second cavity.

18. A shock absorber assembly according to claim 1, wherein the valve means is such that said respective predetermined controlled flow rates in the respective directions are different whereby to vary the damping characteristics according to whether said movement is relative retracting or extending movement.

19. A shock absorber assembly according to claim 1 including respective shim packs in part determining said respective predetermined controlled flow rates and further determining the respective directions of flow.

20. A shock absorber assembly including:

*a motion damping means that is filled with a fluid in operation and has a pair of relatively moveable parts and valve means permitting flow of said fluid between said parts, said parts comprising a first part and a second part in which the first part is receivable whereby the parts are arranged for relative retracting and extending movement during which fluid is forced through said valve means at respective predetermined controlled flow rates so as to dampen said movement;*

*wherein said relatively moveable parts contain respective primary chambers for said fluid and said first part is substantially smaller in cross-section than said second part to define an intermediate chamber about the first part within the second part;*

8

*and wherein the first part further includes lateral port means communicating said intermediate chamber and said primary chamber of the first part; and*

*wherein said flows at respective predetermined controlled flow rates are limited to respective flows:*

*(i) through a piston directly from the primary chamber of the second part to said intermediate chamber via an outer ring of compression ports in the piston and*

*(ii) from said intermediate chamber to the primary chamber of the second part via the lateral port means in the first part, the primary chamber of the first part and at least one rebound port in the piston, said at least one rebound port being radially separated inwardly from the outer ring of compression ports such that the differences in flow rates of said compression and rebound ports provide differential fluid flow rates for said relative retracting and extending movements of the first and second parts of said assembly.*

21. A shock absorber assembly as claimed in claim 20, further comprising a pressurized-gas cushioning means.

22. A shock absorber assembly as claimed in claim 21, wherein the pressurized gas cushioning means is in fluid communication with the primary chamber of the second part, and wherein

*said fluid flow during said relative retracting movement of the first and second parts additionally comprises fluid flow from the primary chamber of the second part to the pressurized-gas cushioning means, and*

*said fluid flow during said relative extending movement of the first and second parts additionally comprises fluid flow from said pressurized gas cushioning means to the primary chamber of the second part.*

23. A shock absorber assembly as claimed in claim 21, wherein the pressurized gas cushioning means is integral to the first part, and wherein

*said fluid flow during said relative retracting movement of the first and second parts additionally comprises fluid flow from the primary chamber of the second part to the pressurized-gas cushioning means via the outer ring of compression ports, the intermediate chamber and the lateral port means, and*

*said fluid flow during said relative extending movement of the first and second parts further comprises fluid flow from the pressurized gas cushioning means through the at least one rebound port to the primary chamber of the second part.*

24. A shock absorber assembly as claimed in claim 20 wherein said valve means includes respective shim packs in part determining said respective predetermined controlled flow rates and further determining the respective directions of flow.

\* \* \* \* \*