

US00RE44602E

(19) **United States**
(12) **Reissued Patent**
Fukinuki et al.

(10) **Patent Number:** **US RE44,602 E**
(45) **Date of Reissued Patent:** **Nov. 19, 2013**

(54) **NAILER DEVICE**

(75) Inventors: **Masatoshi Fukinuki**, Jiangsu (CN);
Toshinari Yamaoka, Jiangsu (CN); **Gan Wei**,
Jiangsu (CN); **Zhiguo Chen**, Jiangsu (CN);
Guillaume Keller, Jiangsu (CN)

(73) Assignee: **Chervon (HK) Limited**, Hong Kong (HK)

(21) Appl. No.: **13/506,853**

(22) Filed: **May 17, 2012**

Related U.S. Patent Documents

Reissue of:

(64) Patent No.: **7,963,430**
Issued: **Jun. 21, 2011**
Appl. No.: **12/565,487**
Filed: **Sep. 23, 2009**

(30) **Foreign Application Priority Data**

Oct. 15, 2008 (CN) 2008 2 0186215
Oct. 22, 2008 (CN) 2008 2 0186329
Oct. 29, 2008 (CN) 2008 2 0161341
Oct. 29, 2008 (CN) 2008 2 0161342
Nov. 14, 2008 (CN) 2008 2 0217938

(51) **Int. Cl.**
B25C 1/06 (2006.01)

(52) **U.S. Cl.**
USPC **227/131**; 227/147; 173/109; 173/205;
173/217

(58) **Field of Classification Search**
USPC 227/131, 134, 147, 156; 173/109, 201,
173/138, 217, 205
See application file for complete search history.

(56) **References Cited**

U.S. PATENT DOCUMENTS

2,500,402 A * 3/1950 Craig 173/94

3,486,569 A * 12/1969 Sieber 173/93.5
3,924,692 A * 12/1975 Saari 173/117
4,114,699 A * 9/1978 Wolf 173/109
4,529,044 A * 7/1985 Klueber et al. 173/48
4,732,217 A * 3/1988 Bleicher et al. 173/104
4,770,254 A * 9/1988 Kominami 173/109
5,025,869 A * 6/1991 Terunuma et al. 173/98
5,443,196 A * 8/1995 Burlington 227/131
5,605,268 A * 2/1997 Hayashi et al. 227/8
5,941,441 A * 8/1999 Ilagan 227/131
6,172,472 B1 * 1/2001 Klingbeil 318/244
6,213,222 B1 * 4/2001 Banach 173/1
6,250,401 B1 * 6/2001 Yamada 173/205
6,431,430 B1 * 8/2002 Jalbert et al. 227/131
6,959,478 B2 * 11/2005 Chen 29/435
7,263,920 B1 * 9/2007 Hamilton 81/466
7,306,047 B2 * 12/2007 Oda et al. 173/48
7,537,145 B2 * 5/2009 Gross et al. 227/131
7,789,282 B2 * 9/2010 Fukinuki et al. 227/131

FOREIGN PATENT DOCUMENTS

CN 200410088827.9 10/2006
WO 2006008546 1/2006

* cited by examiner

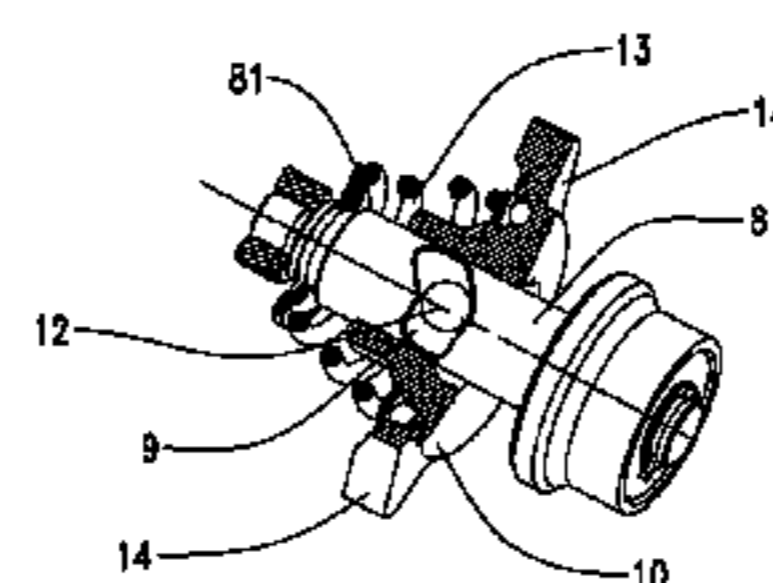
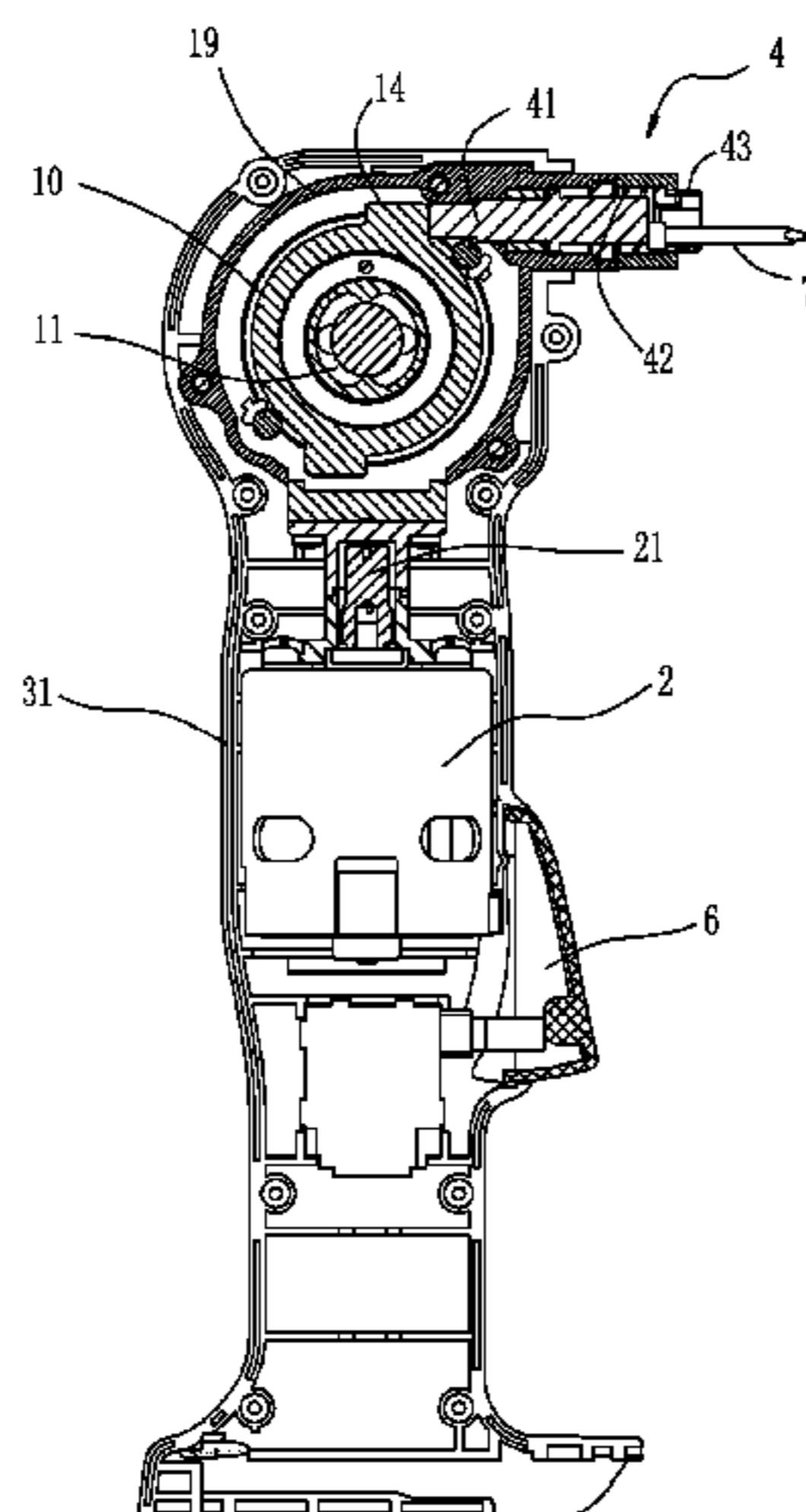
Primary Examiner — Scott A. Smith

(74) *Attorney, Agent, or Firm* — Greenberg Traurig, LLP

(57) **ABSTRACT**

A nailer device has a housing containing a motor and a transmission mechanism. The housing has a nozzle portion with a striking rod for striking a nail arranged therein, the striking rod being moved in a reciprocating manner. A rotating shaft is mounted in the housing and the rotating shaft is coupled to the output shaft of the motor through the transmission mechanism. An impact member surrounds the rotating shaft and is moved with the rotating shaft. Corresponding slots are formed on the rotating shaft and the impact member respectively and mate with each other with engagement members being contained in the corresponding slots.

14 Claims, 17 Drawing Sheets



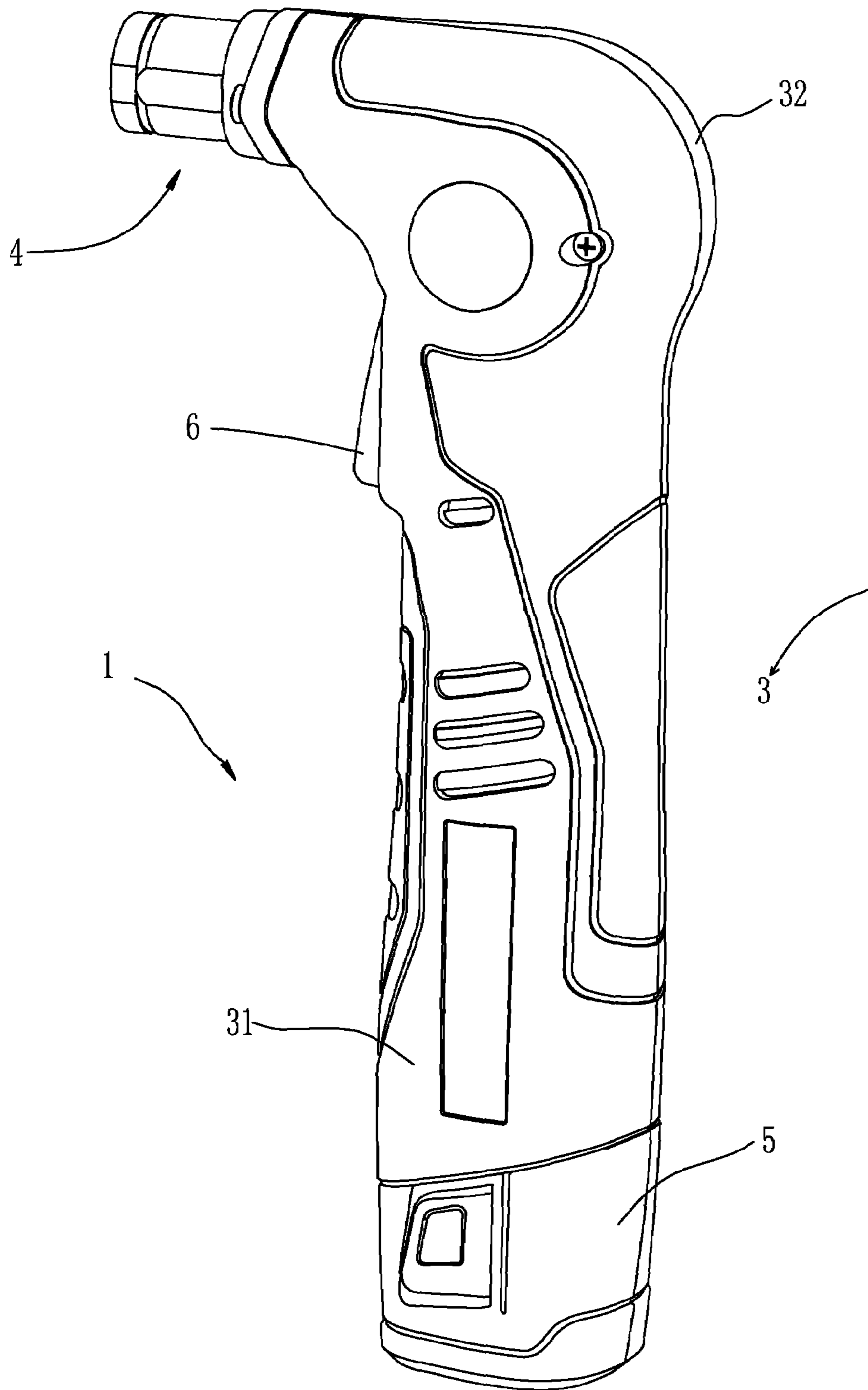


FIG. 1

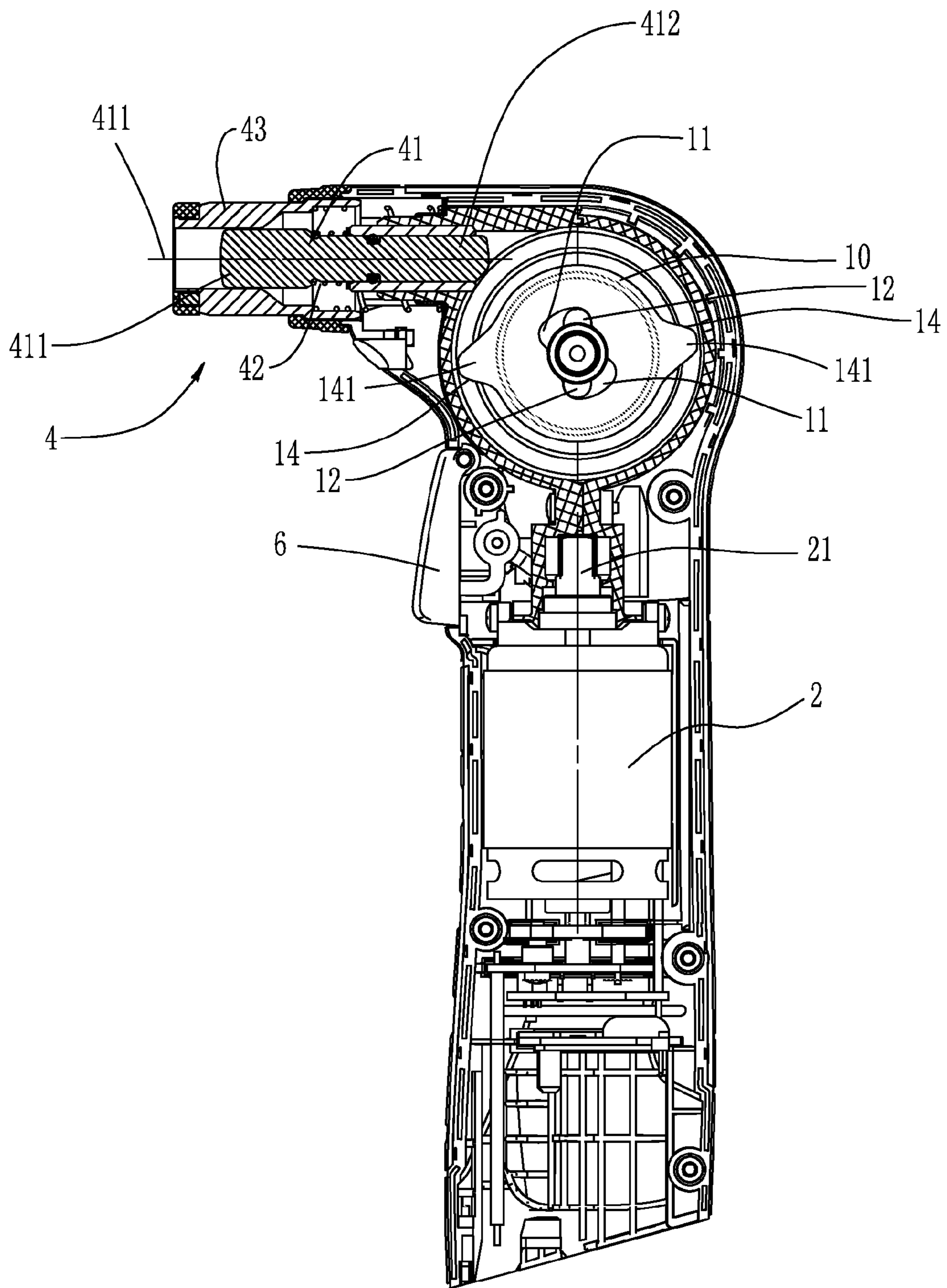


FIG. 2

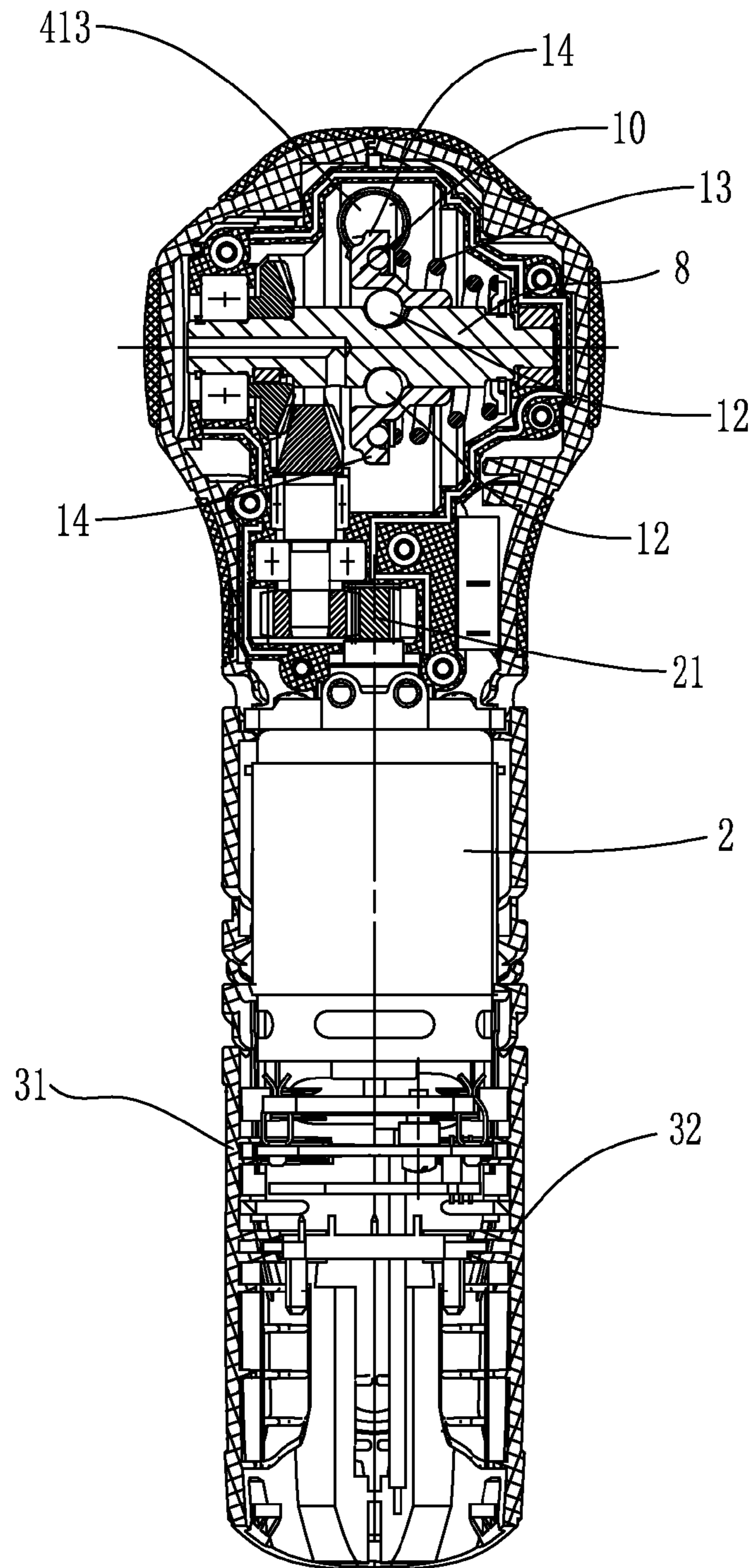


FIG. 3

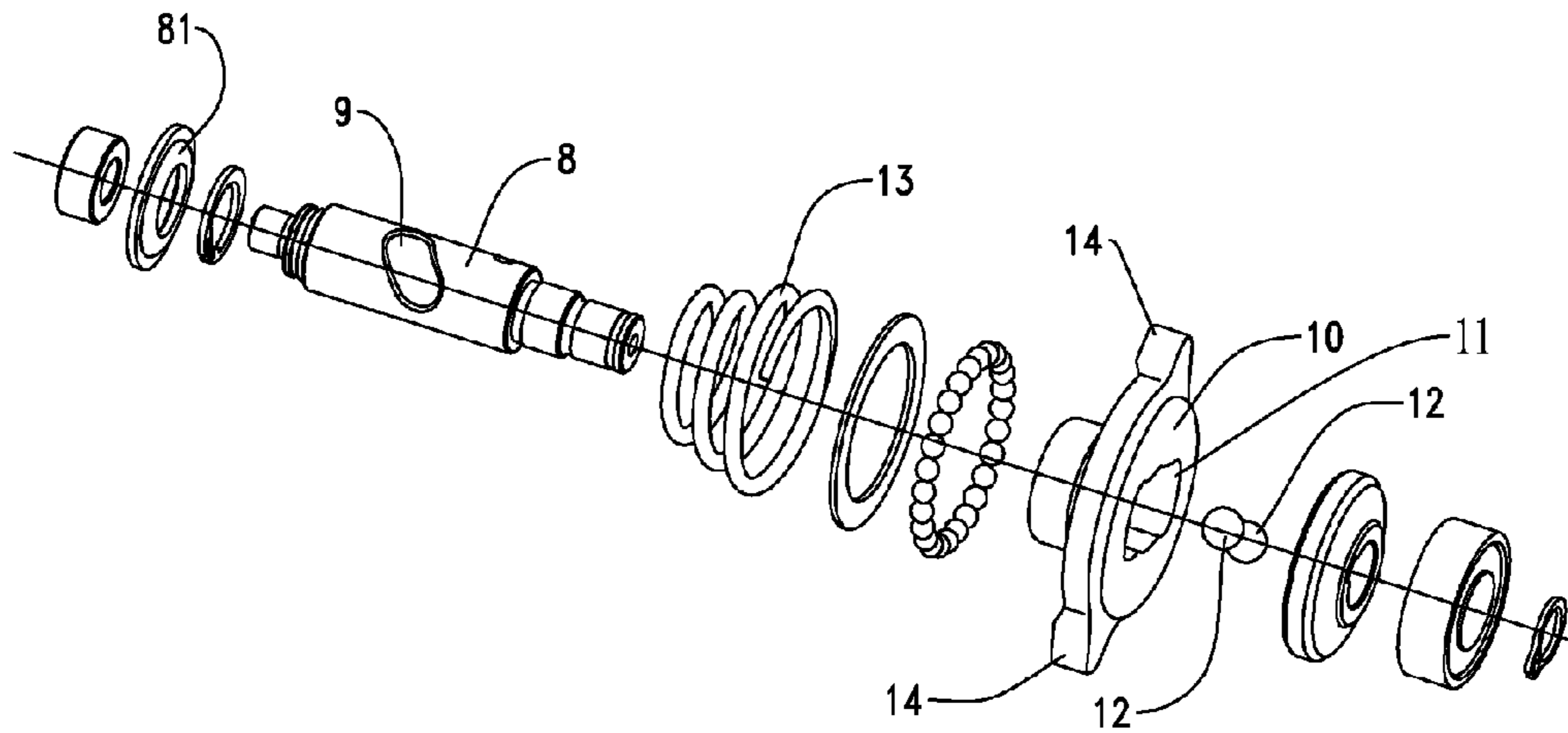


FIG. 4

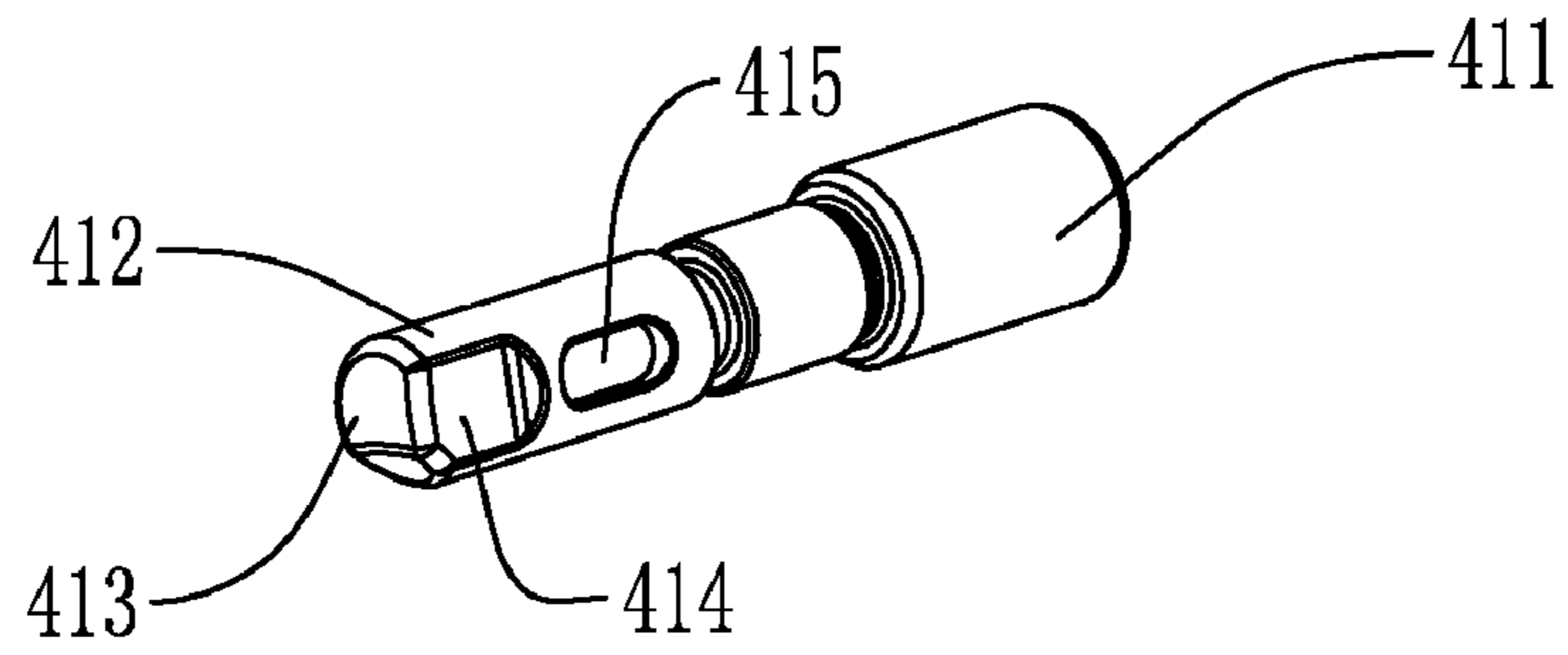


FIG. 5

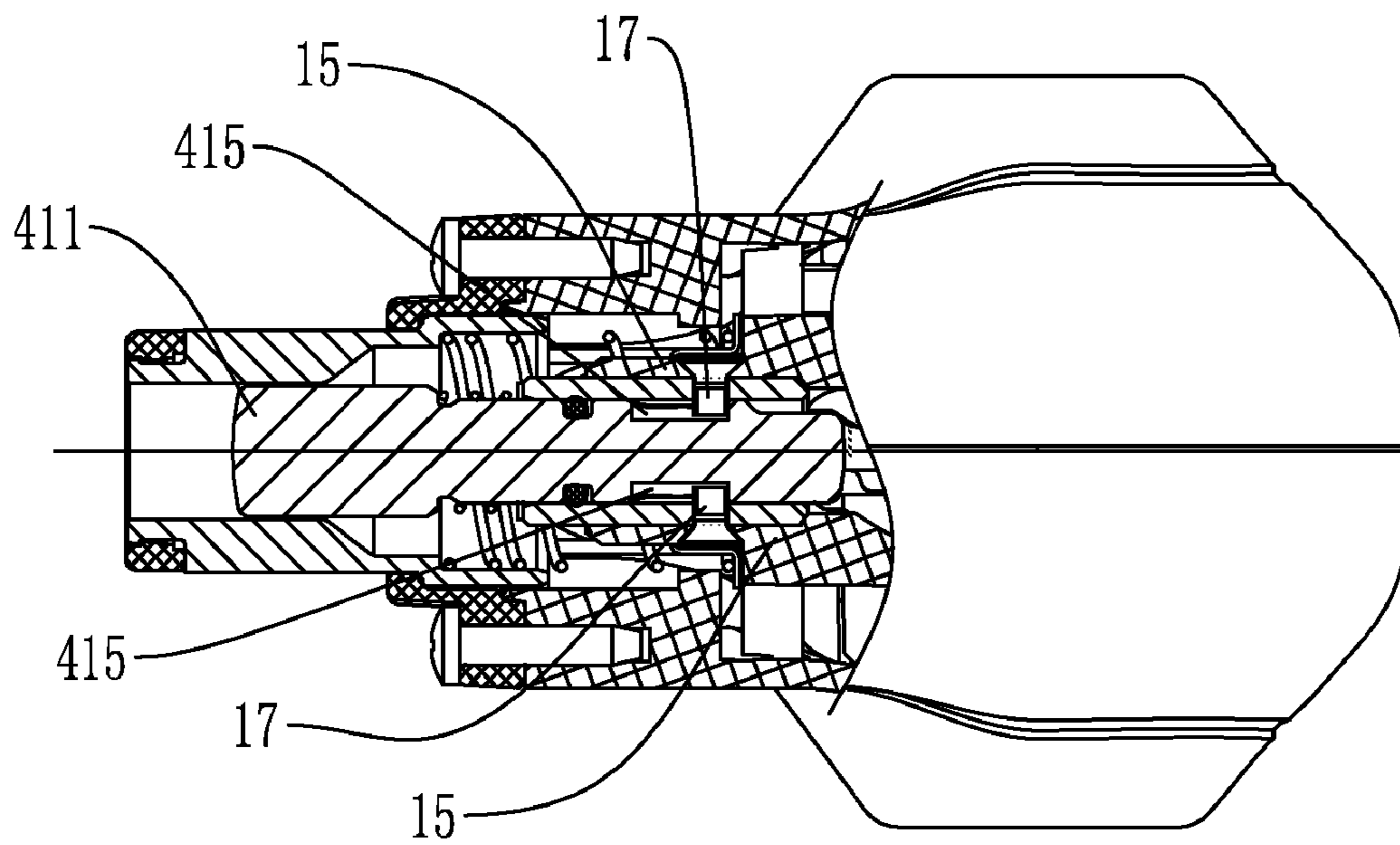


FIG. 6

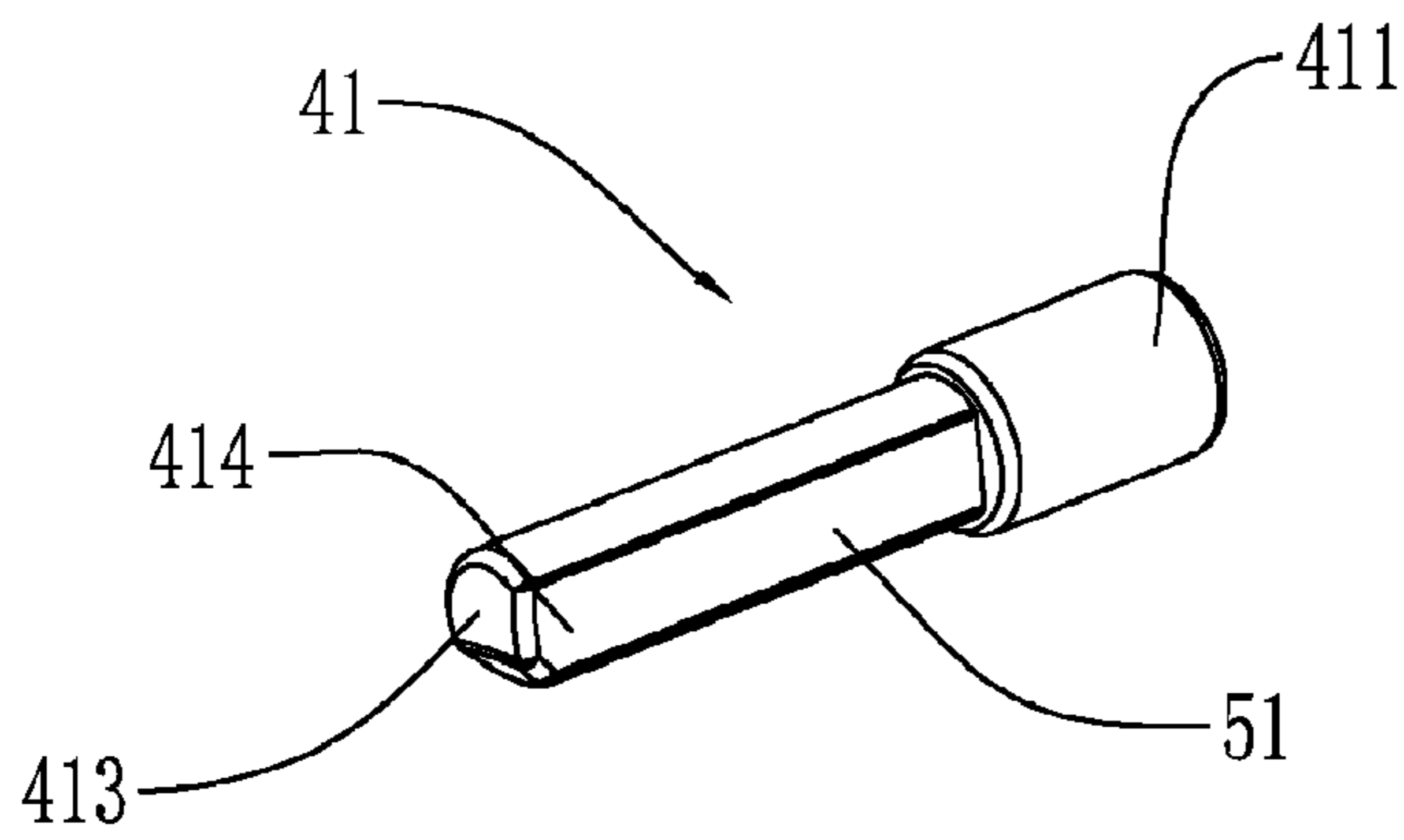


FIG. 7

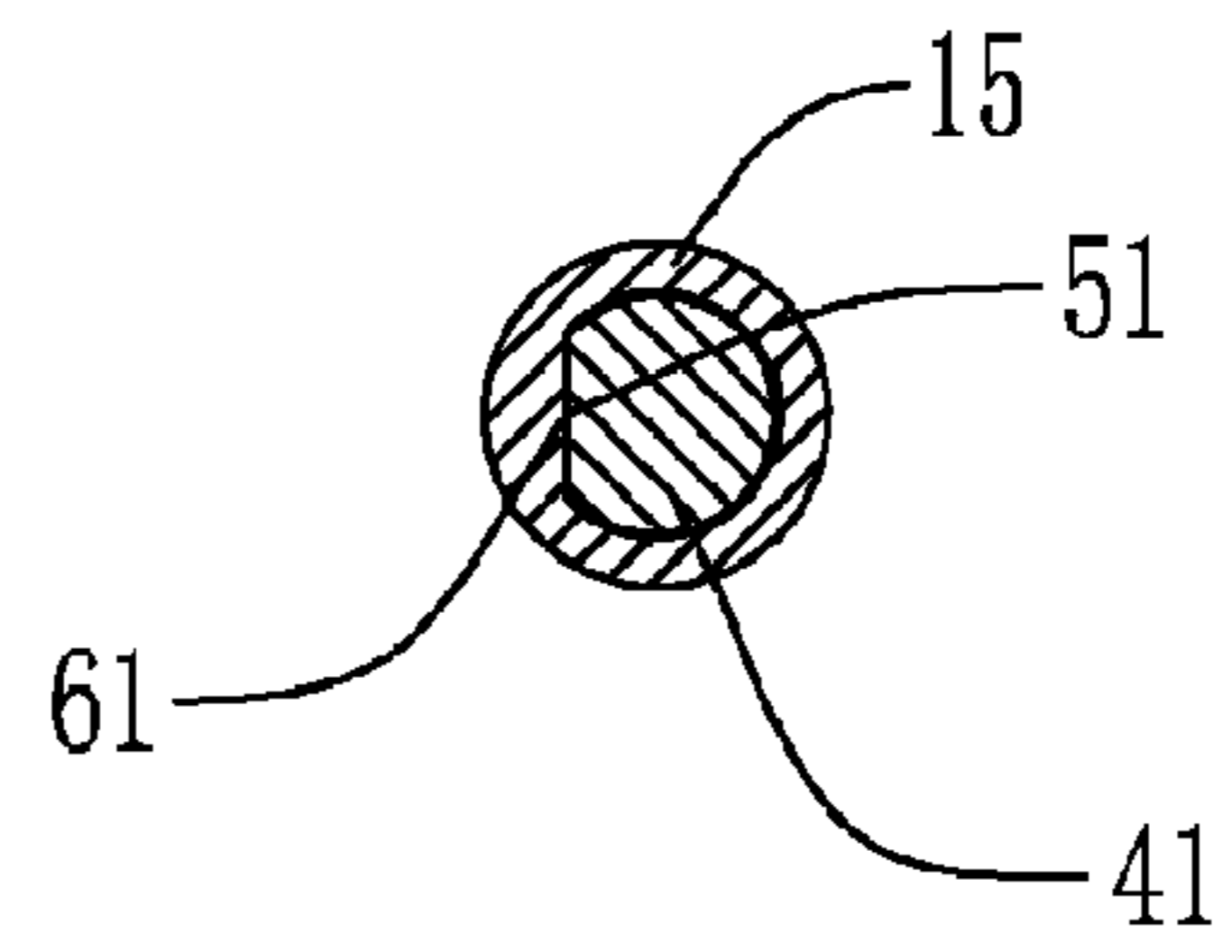


FIG. 8

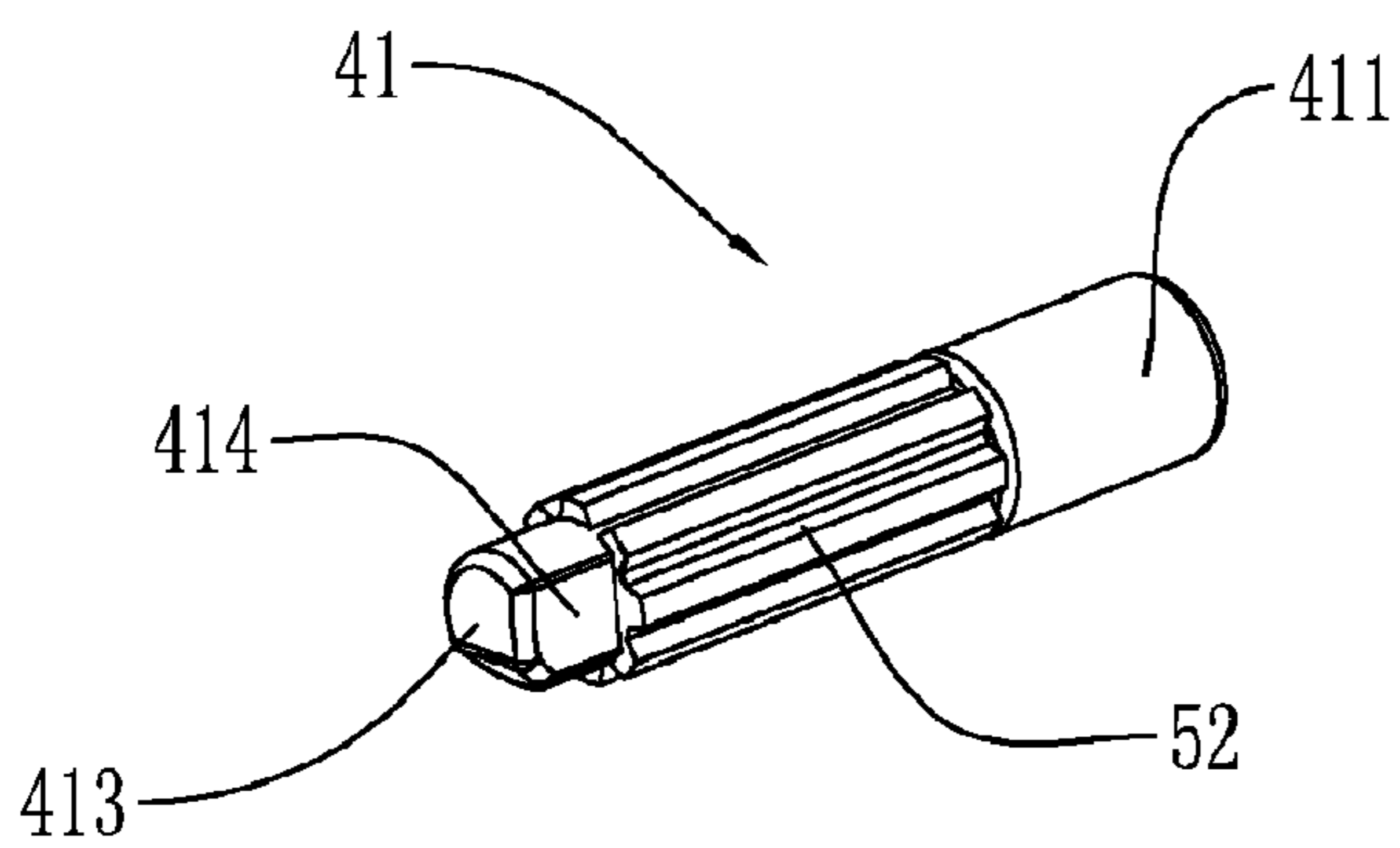


FIG. 9

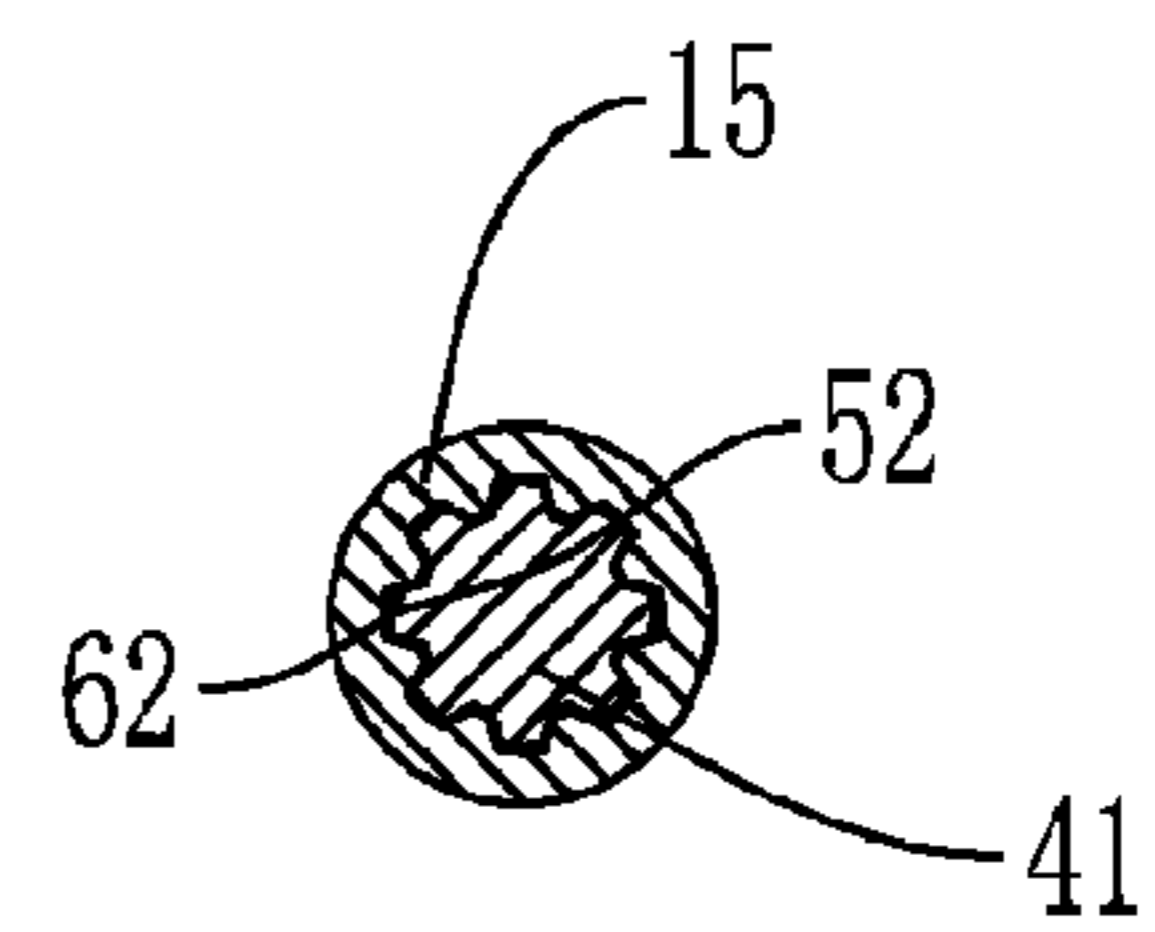


FIG. 10

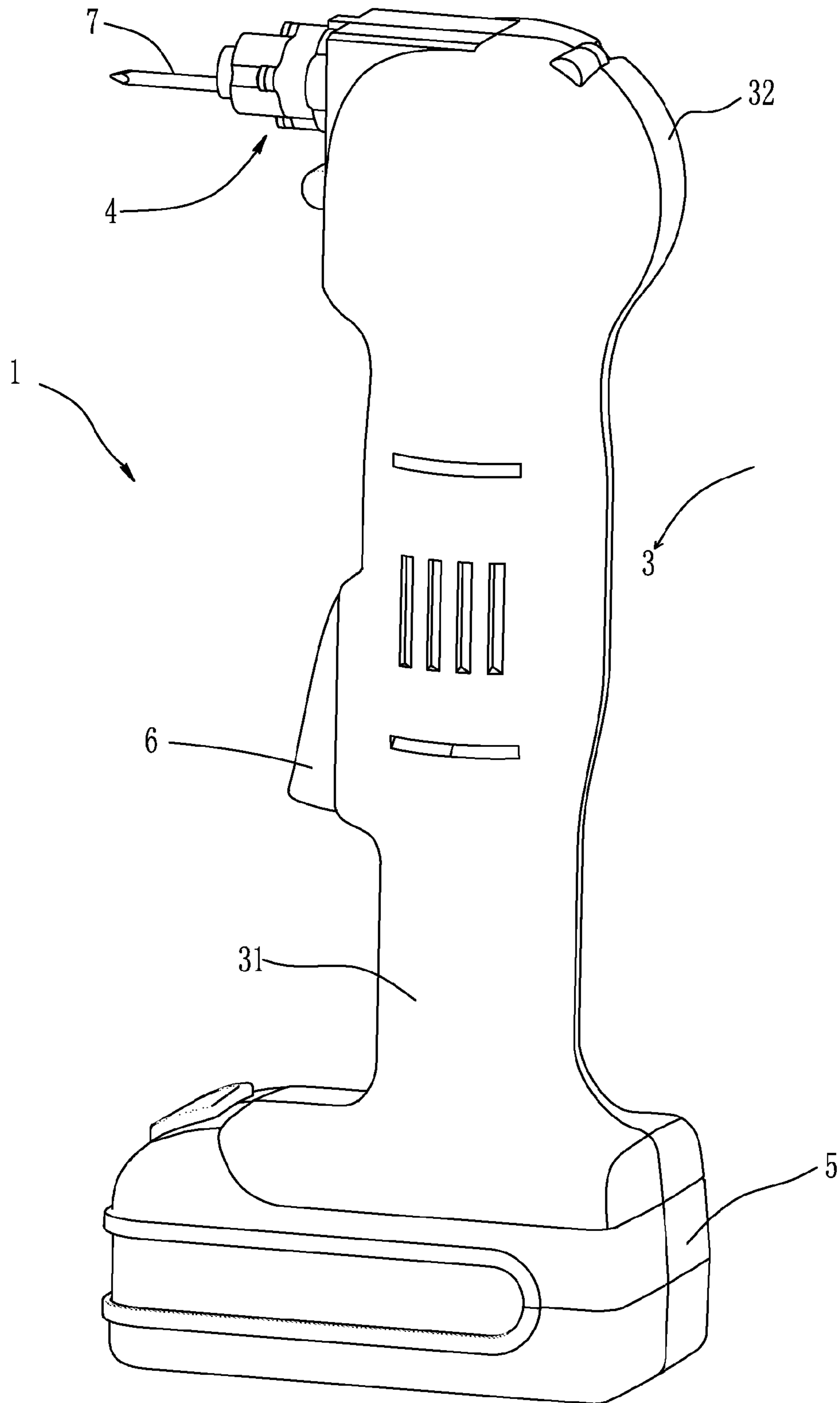


FIG. 11

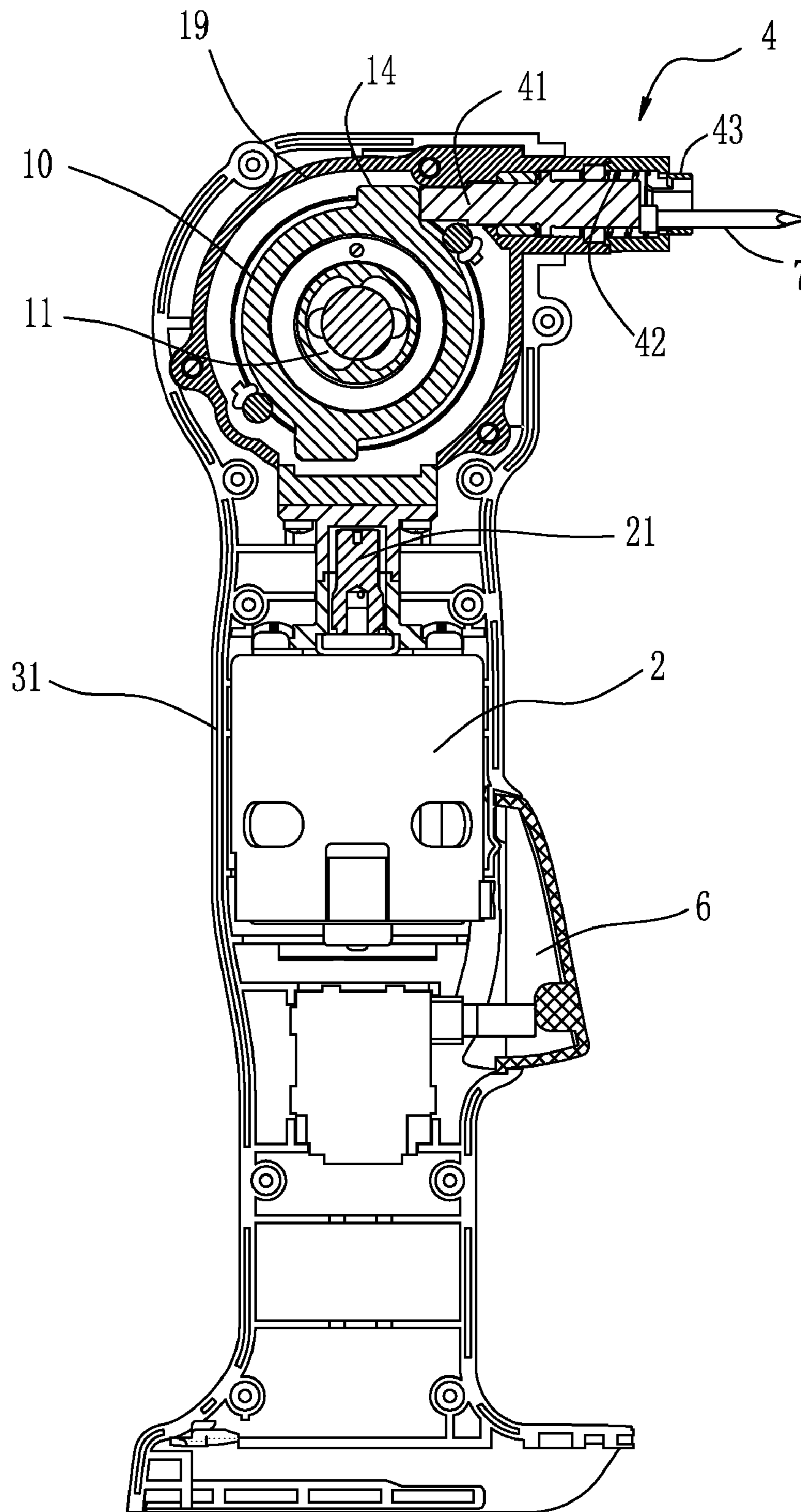


FIG. 12

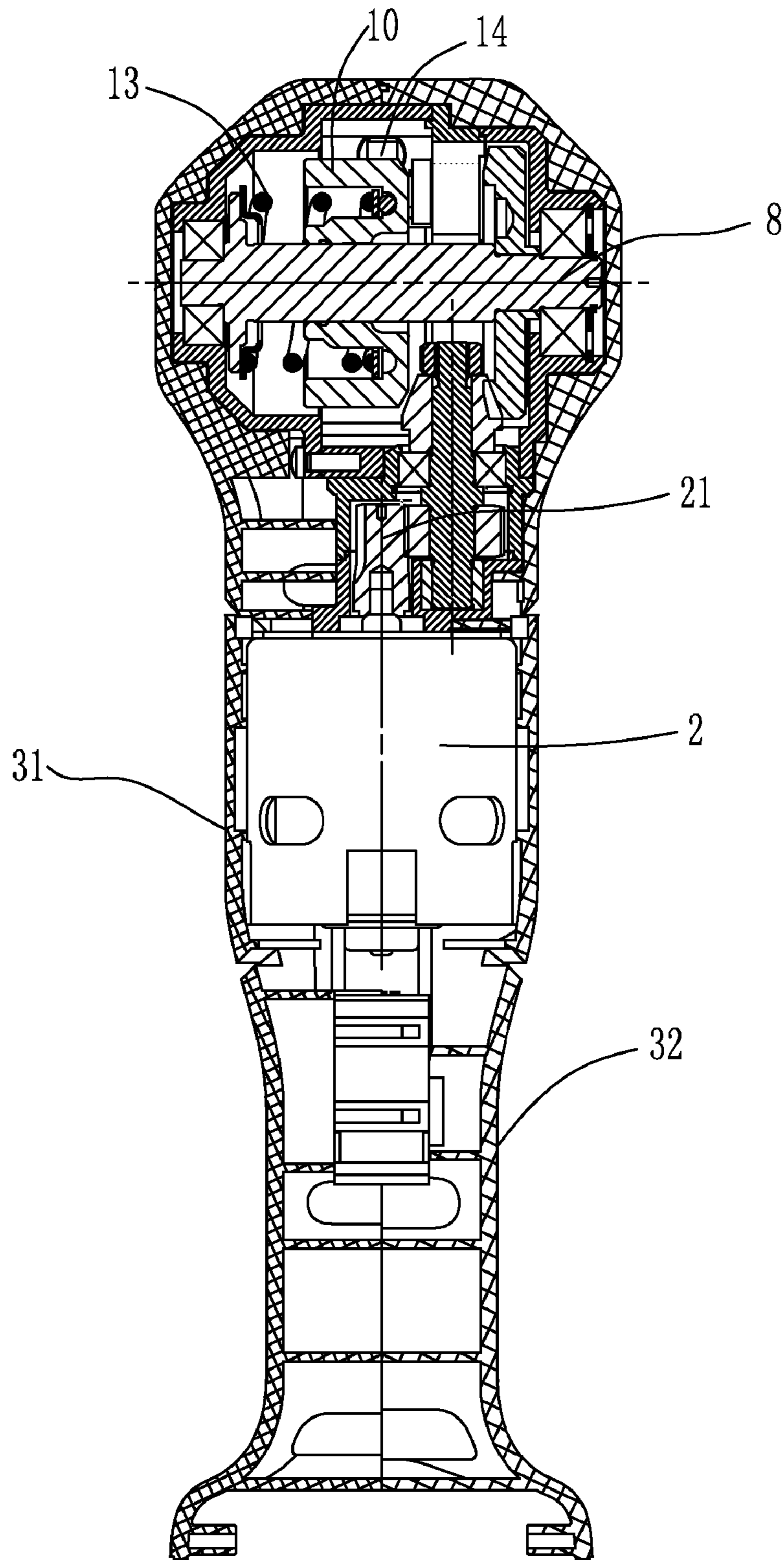


FIG. 13

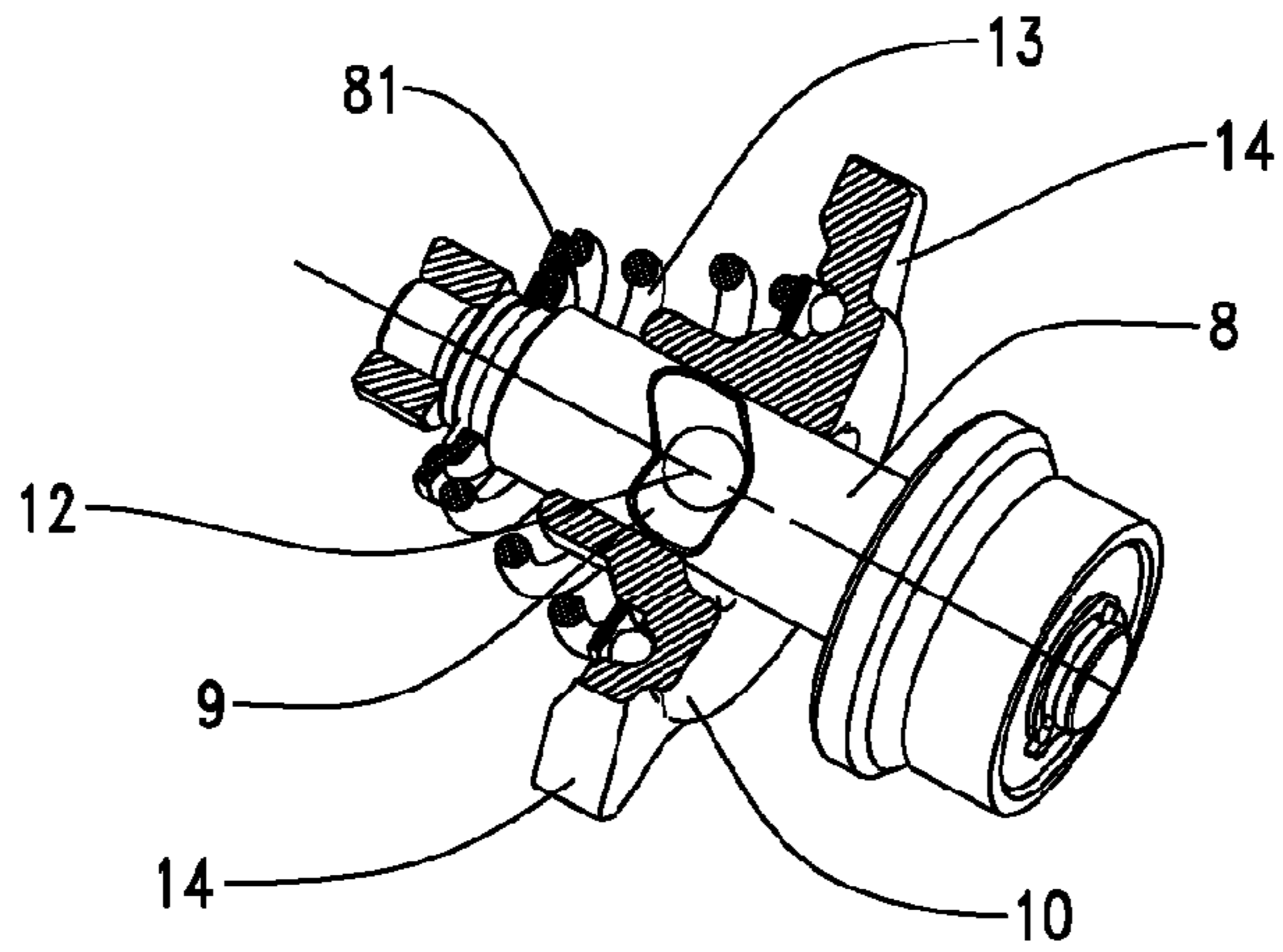


FIG. 14

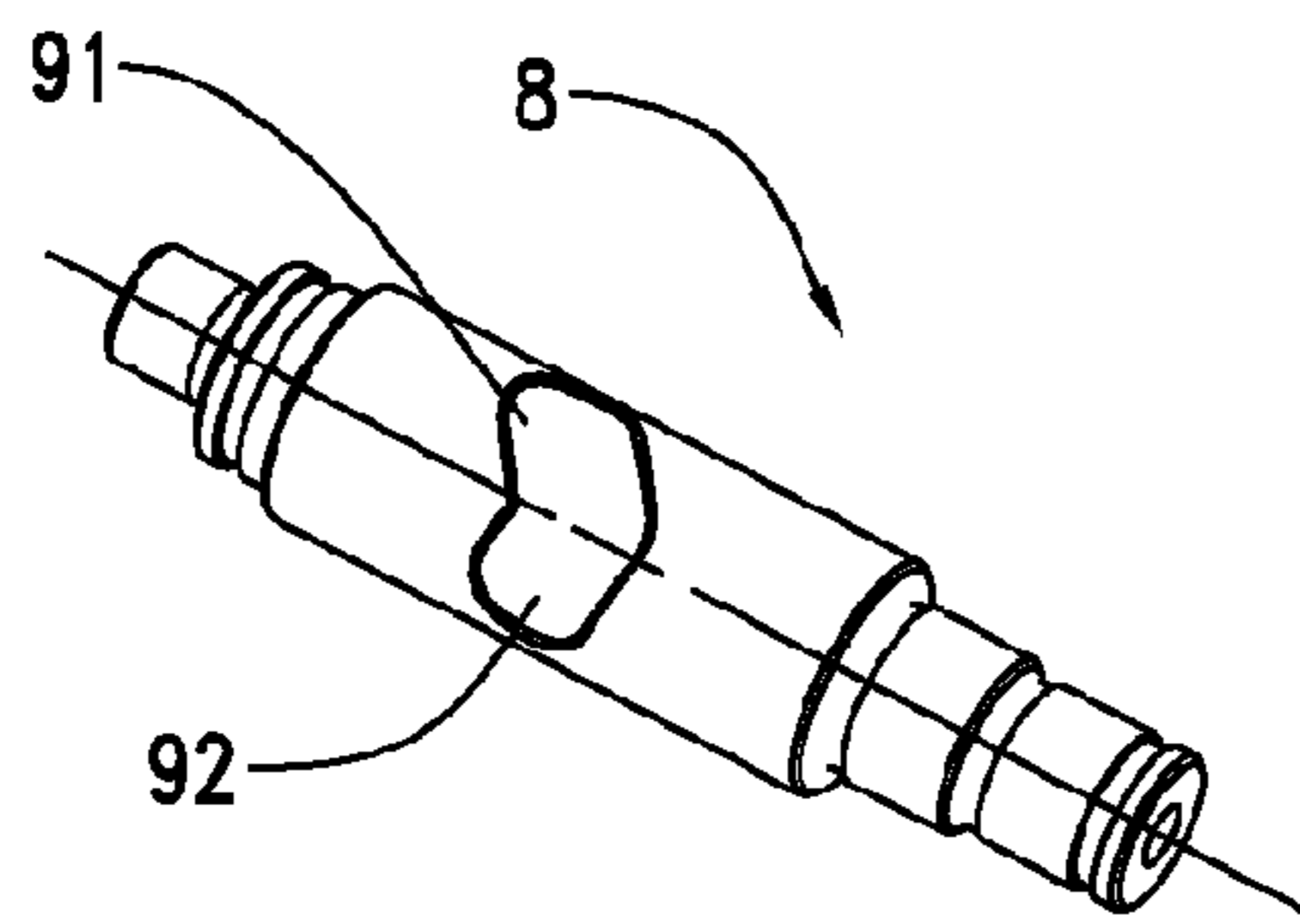


FIG. 15

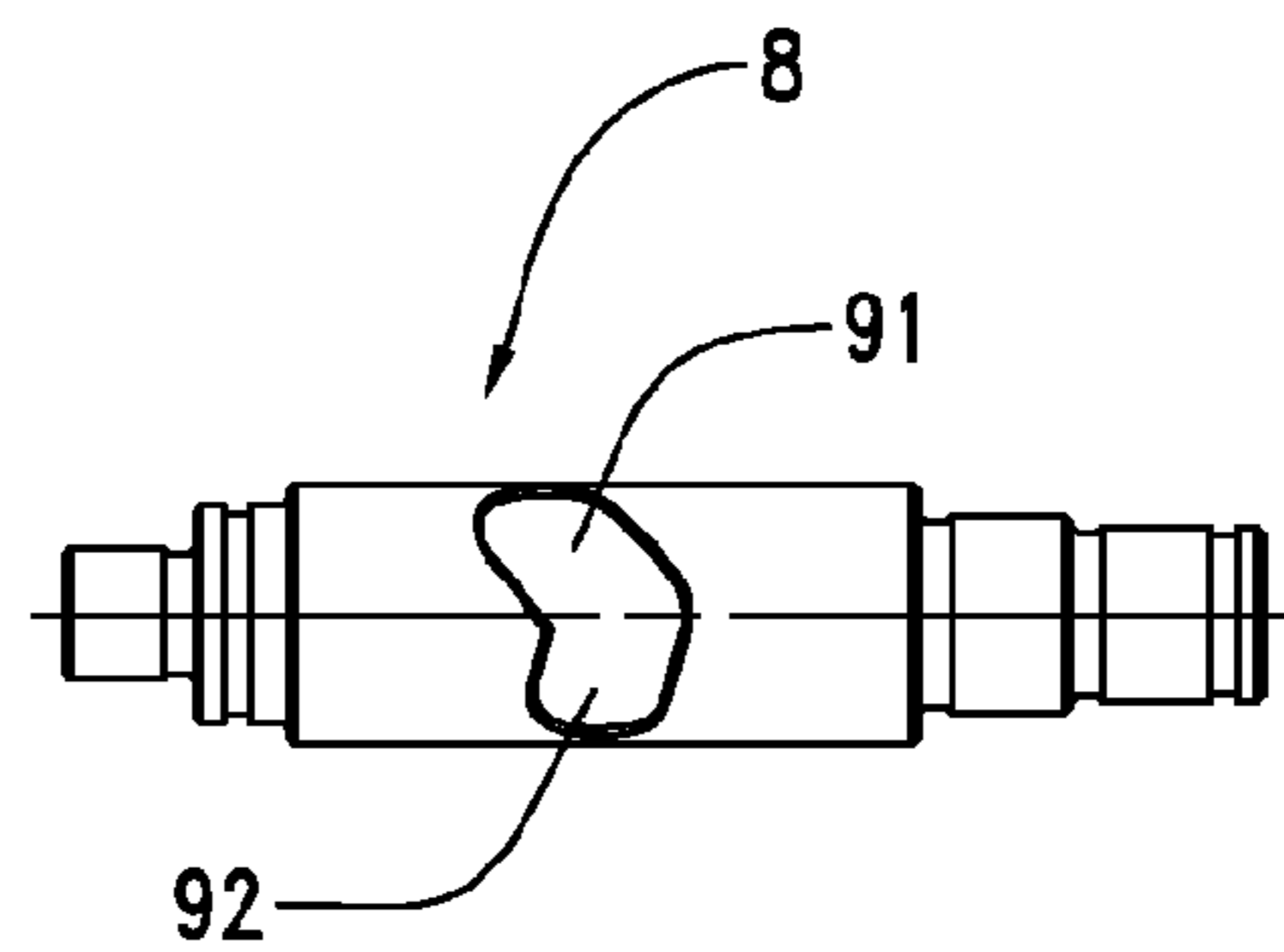


FIG. 16

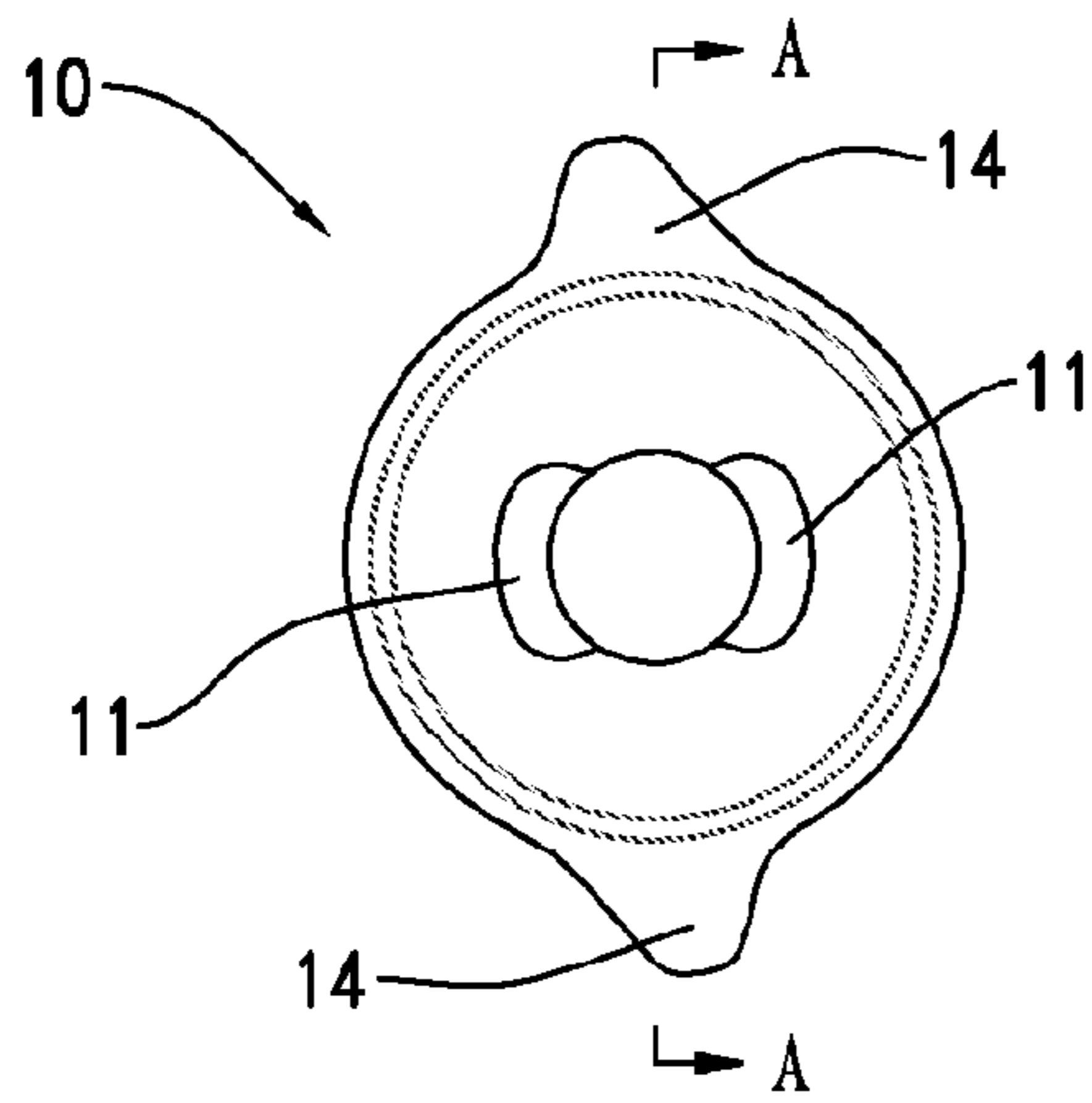


FIG. 17

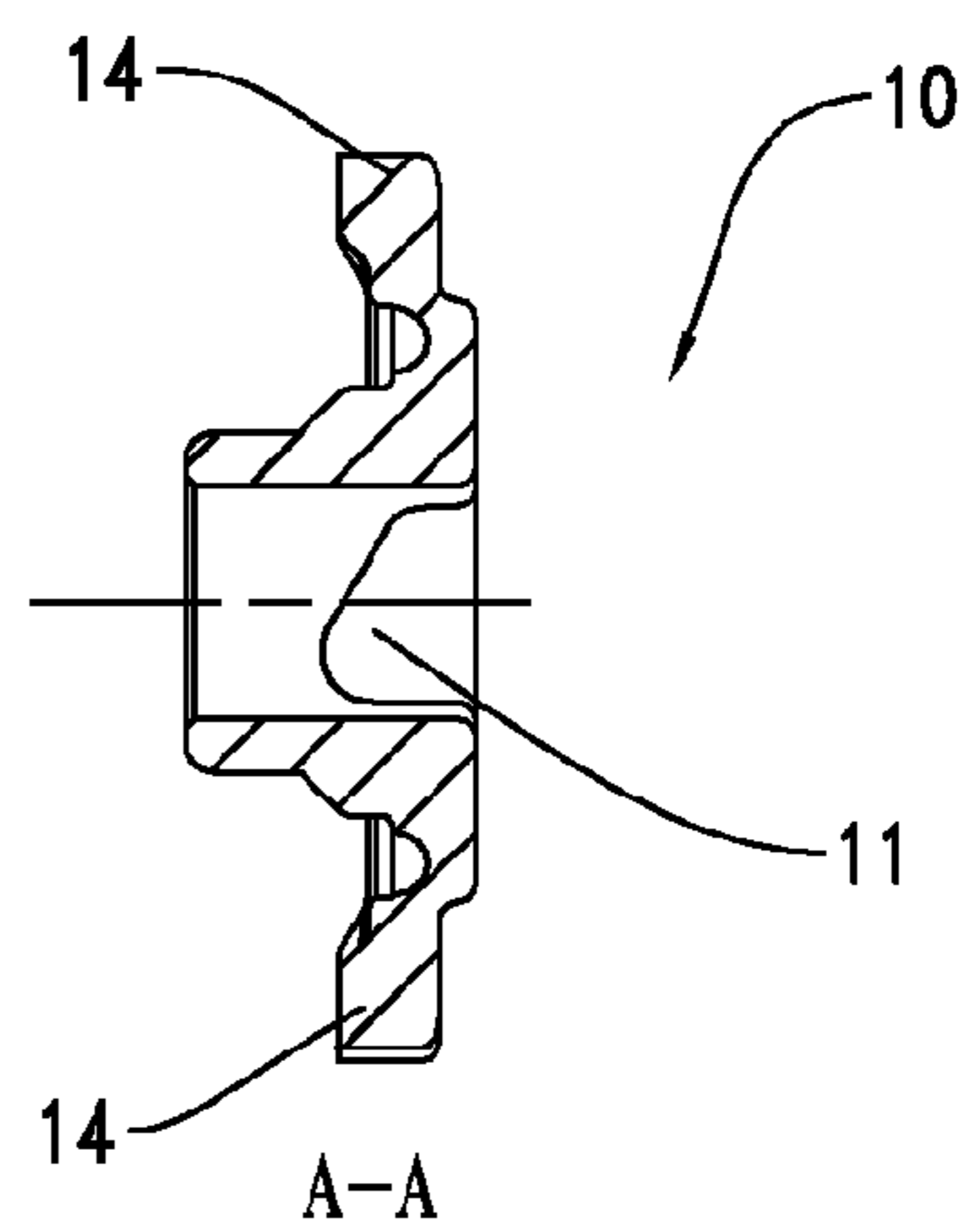


FIG. 18

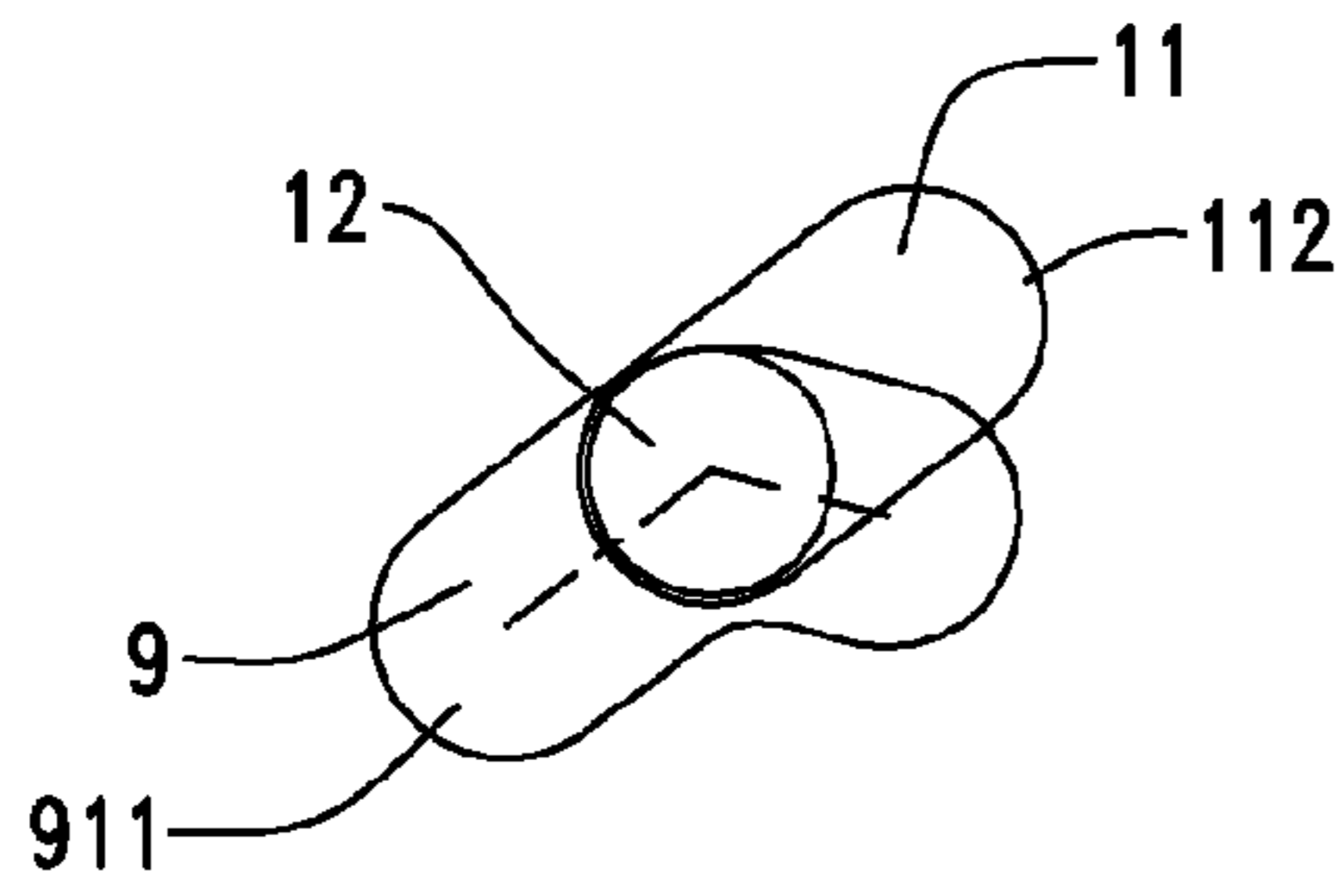


FIG. 19A

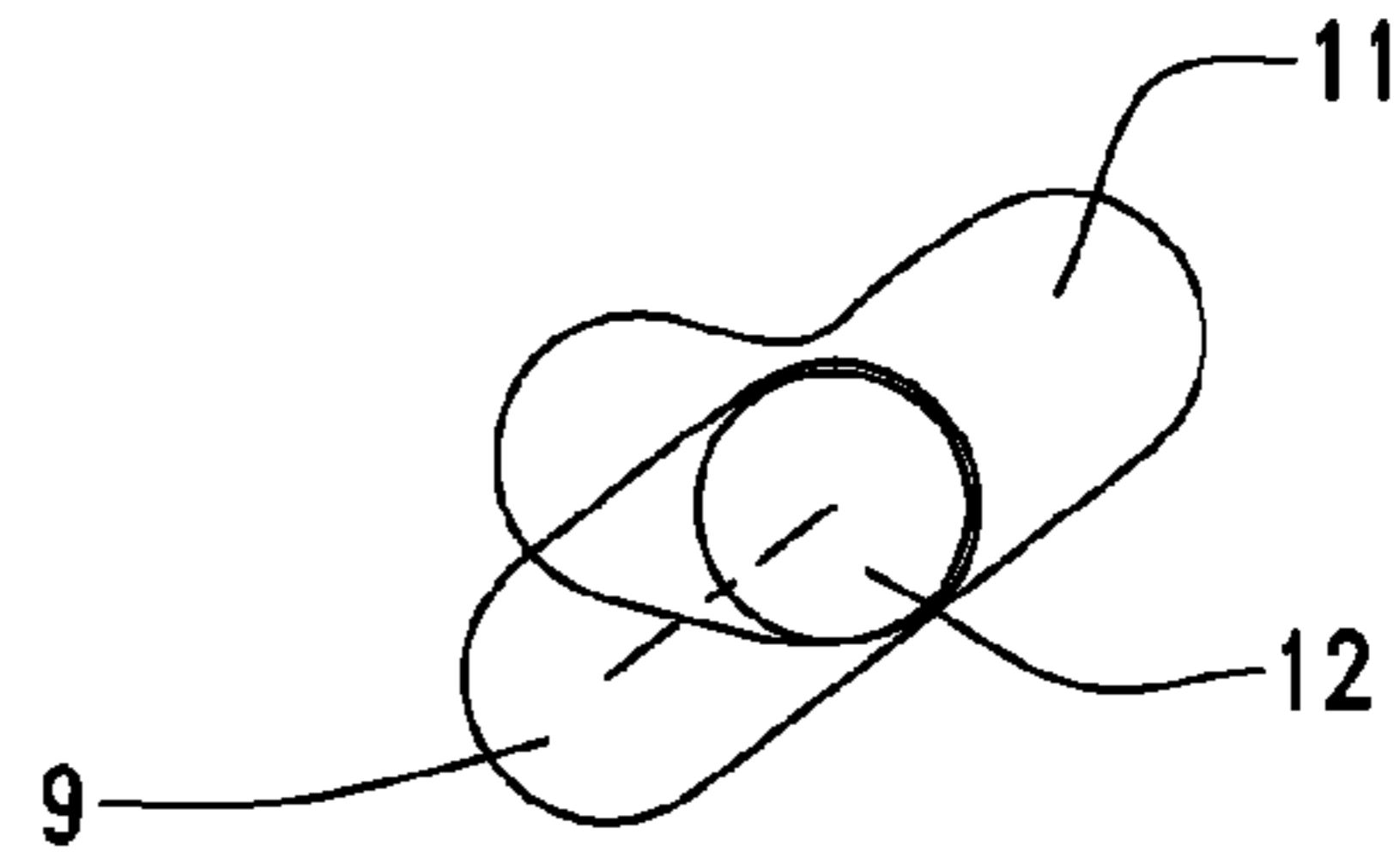


FIG. 20A

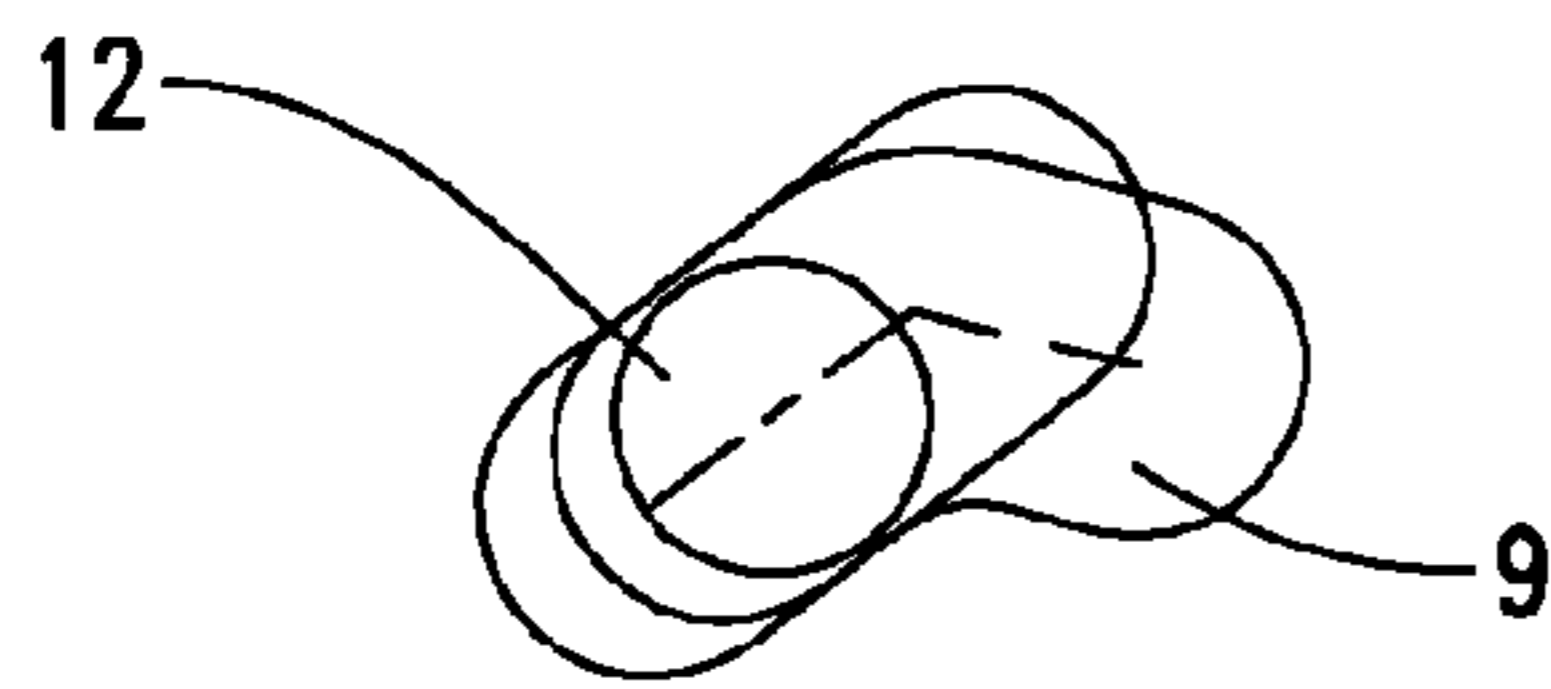


FIG. 19B

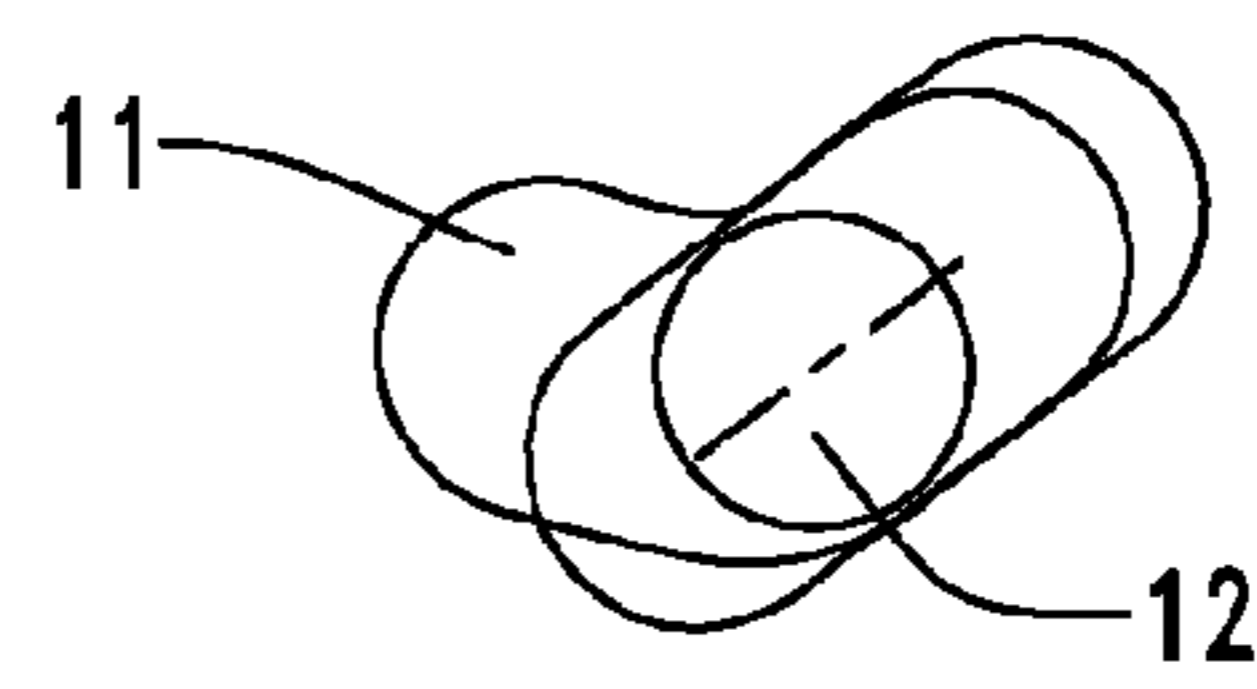


FIG. 20B

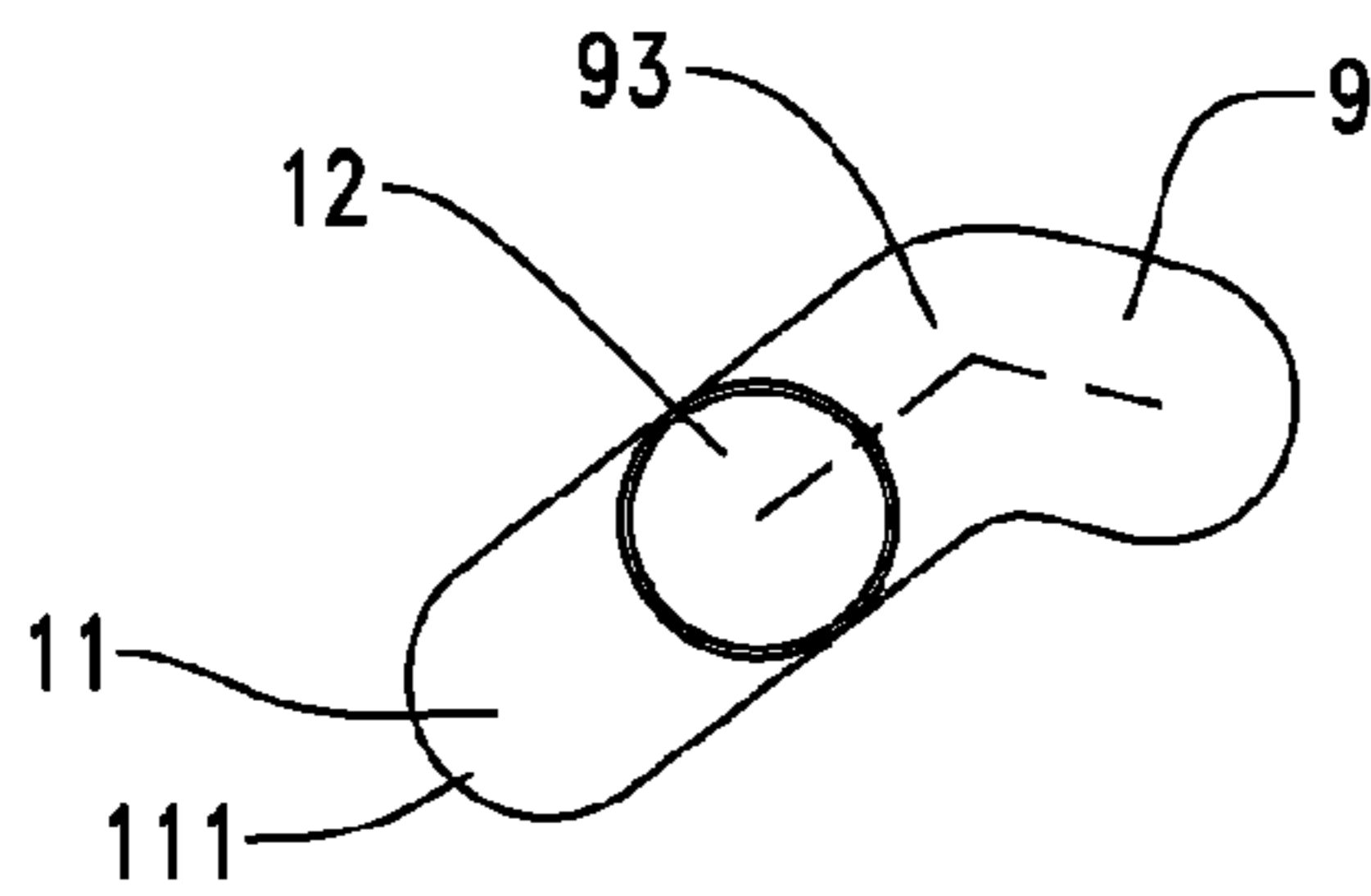


FIG. 19C

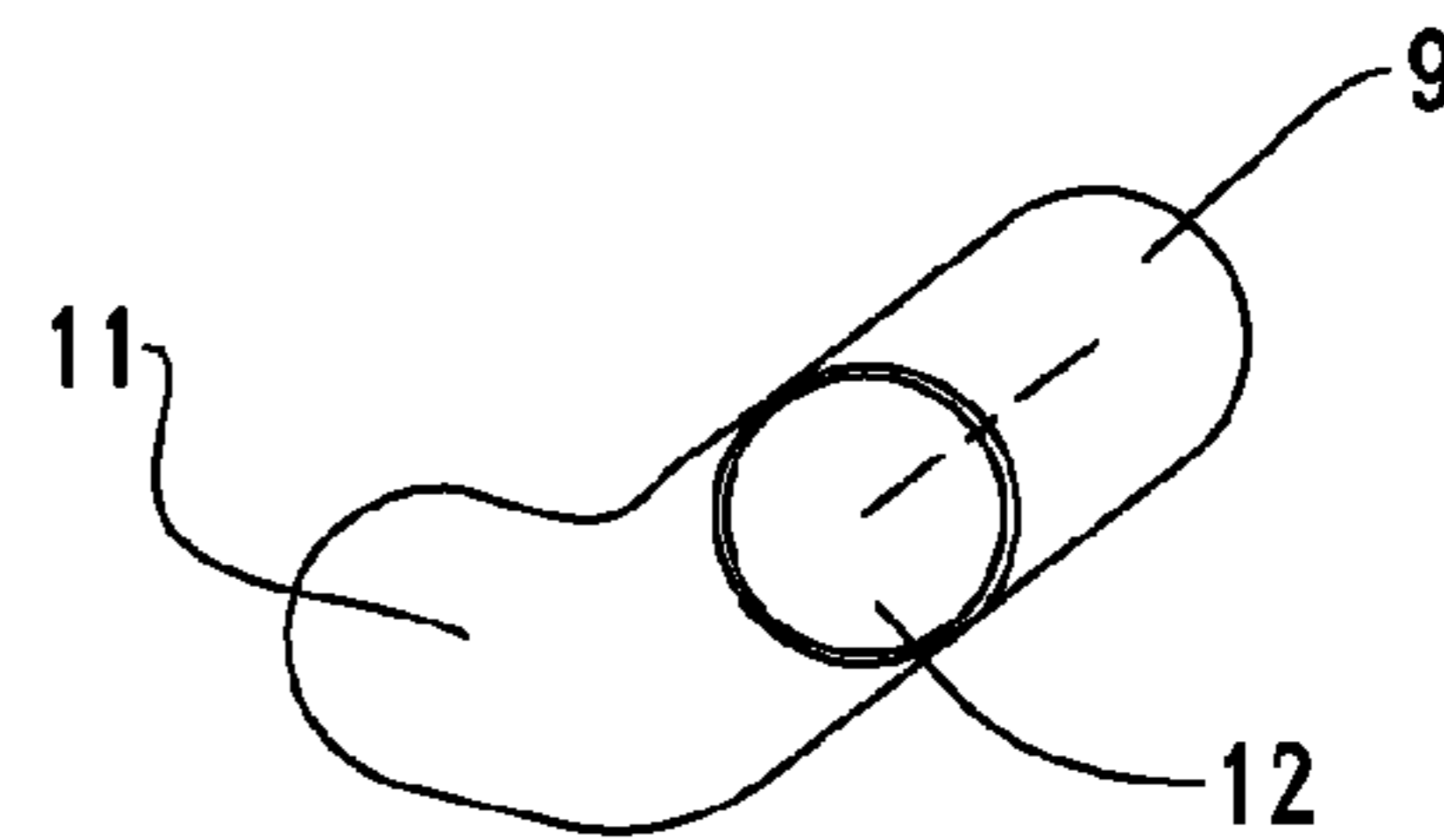


FIG. 20C

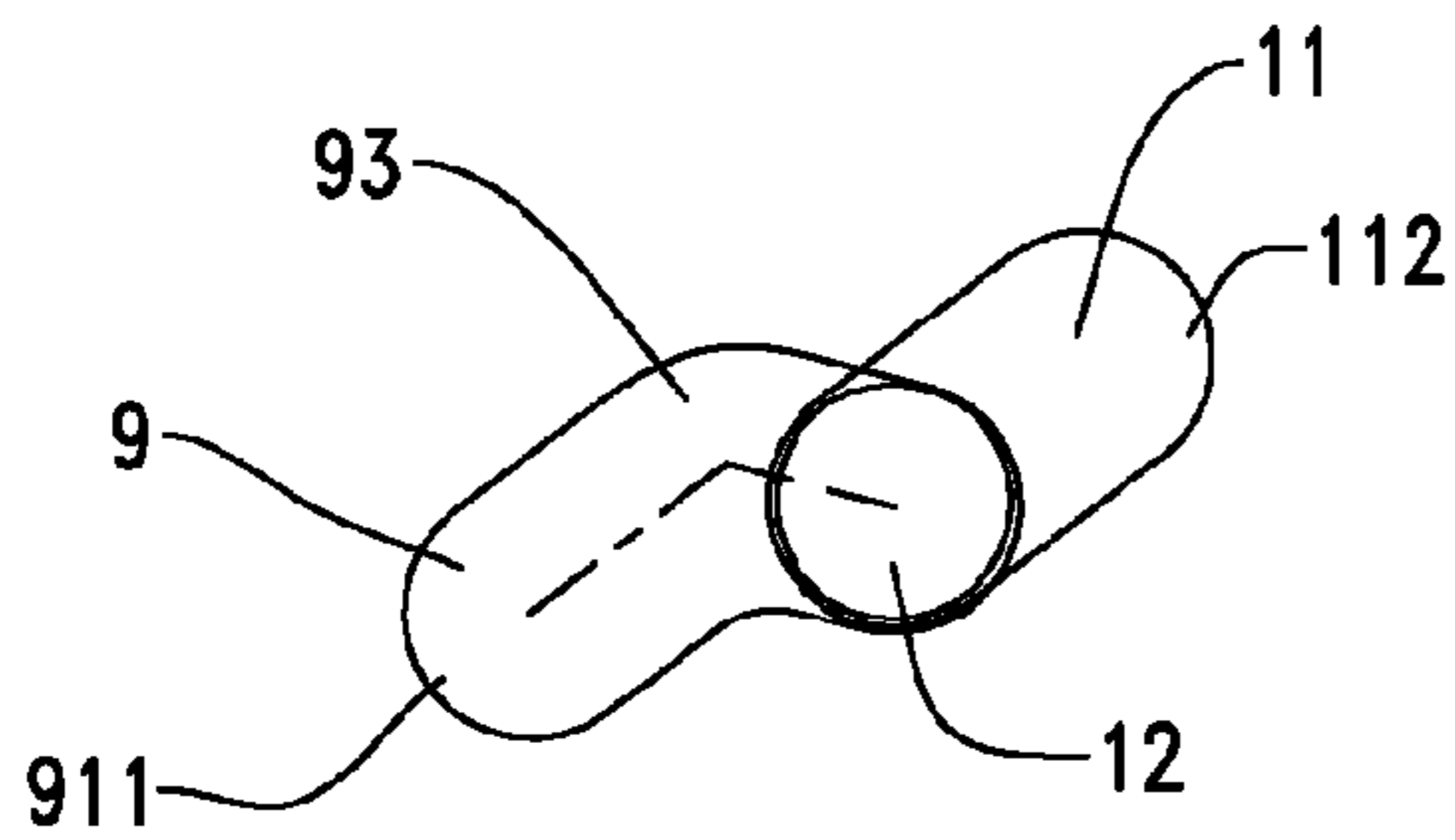


FIG. 19D

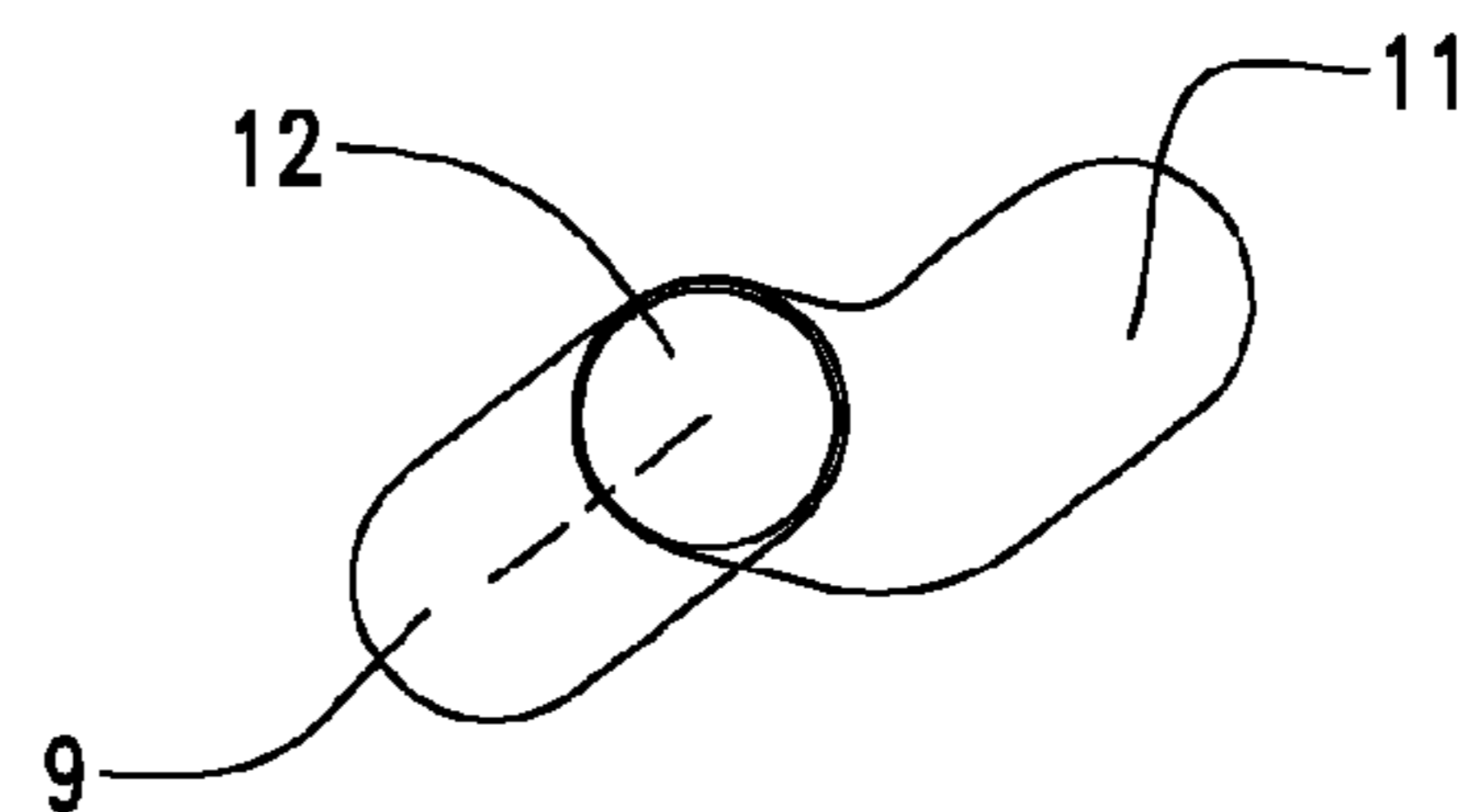


FIG. 20D

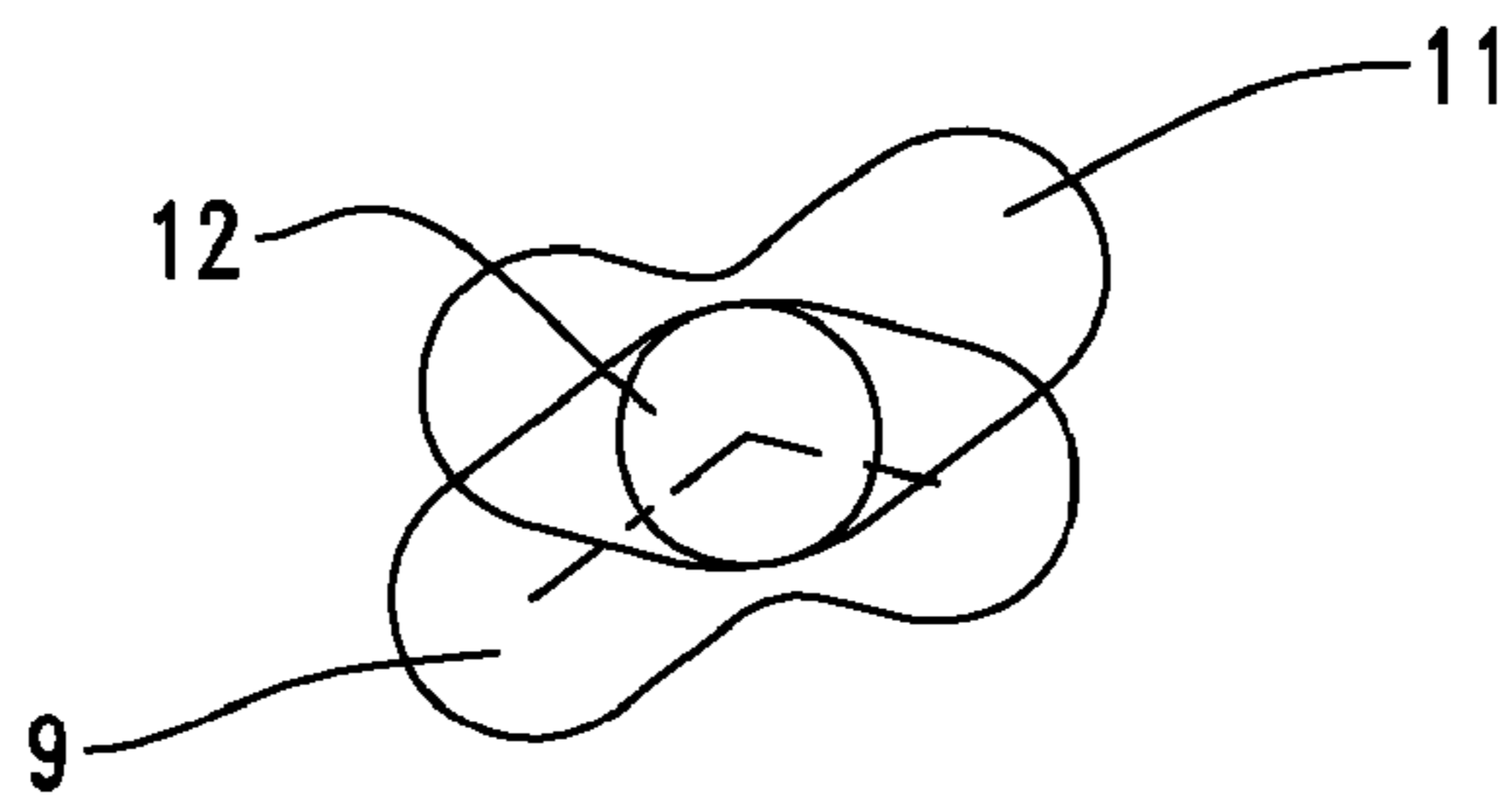


FIG. 21A

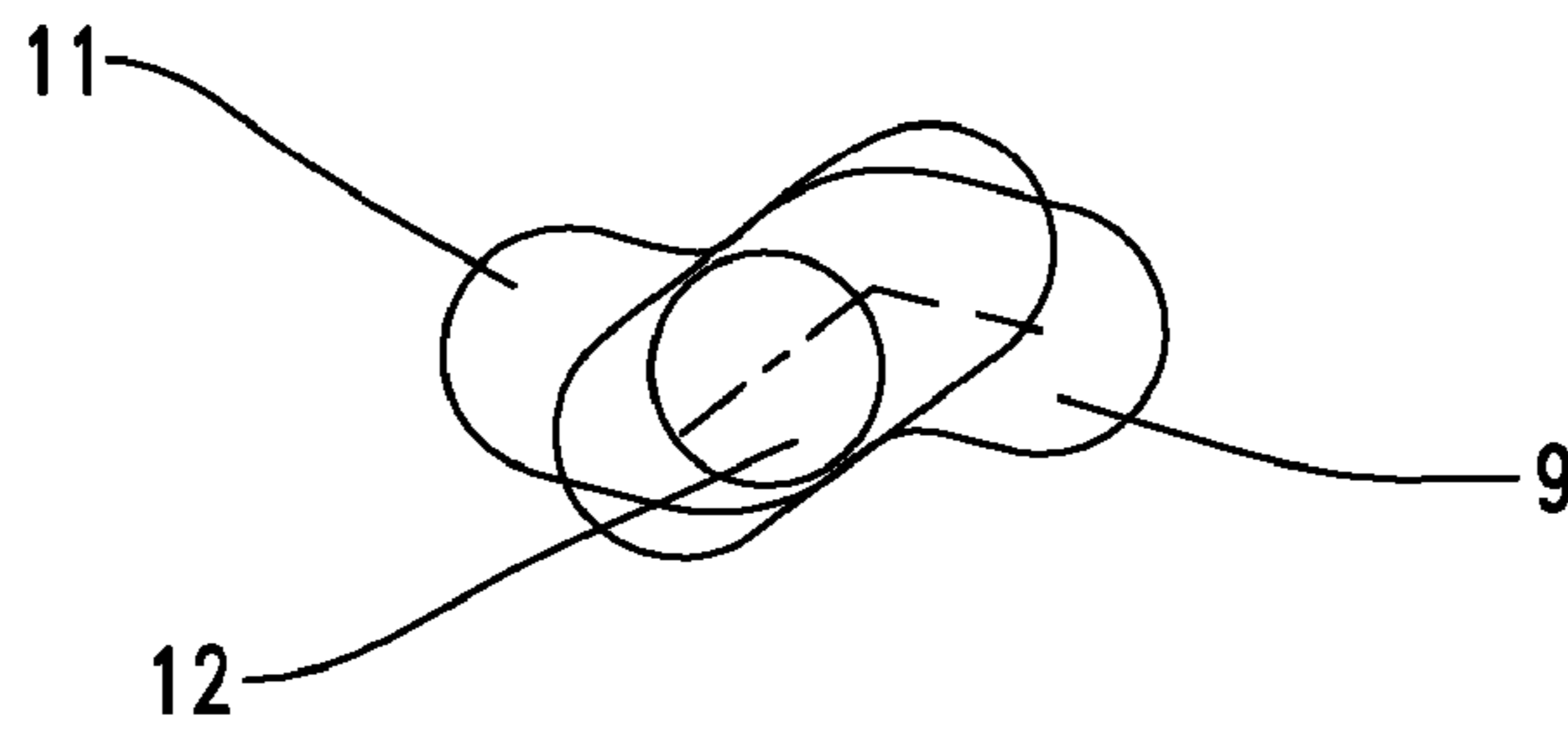


FIG. 21B

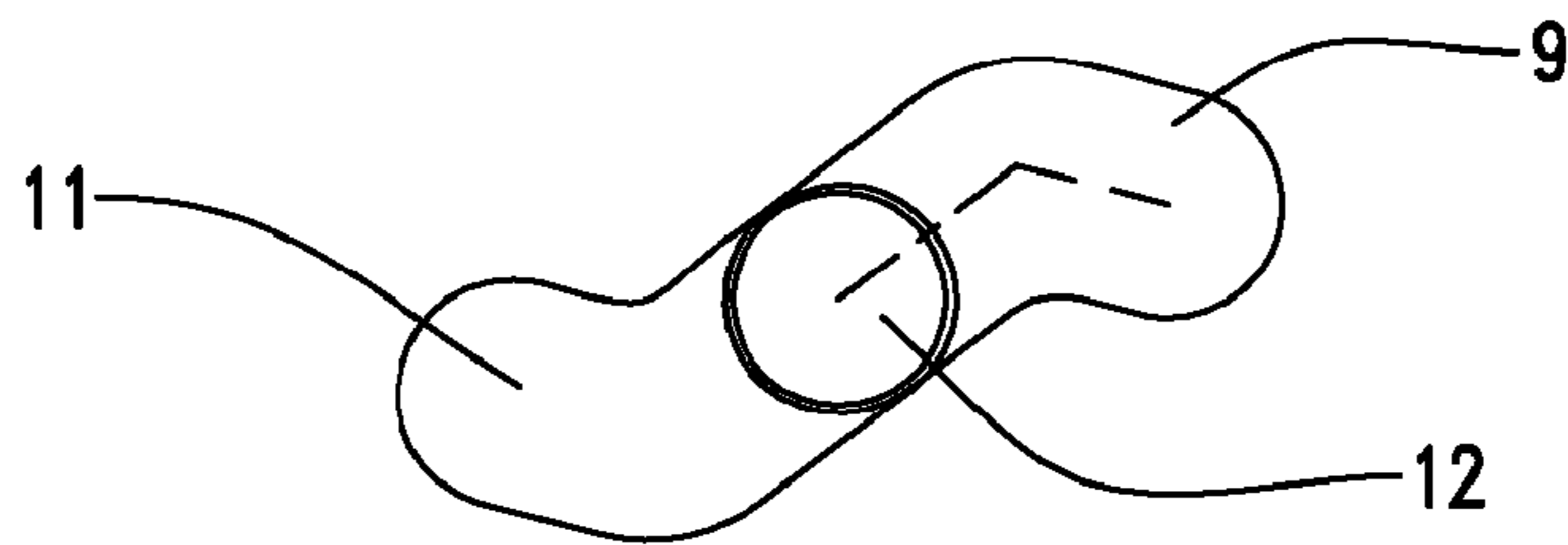


FIG. 21C

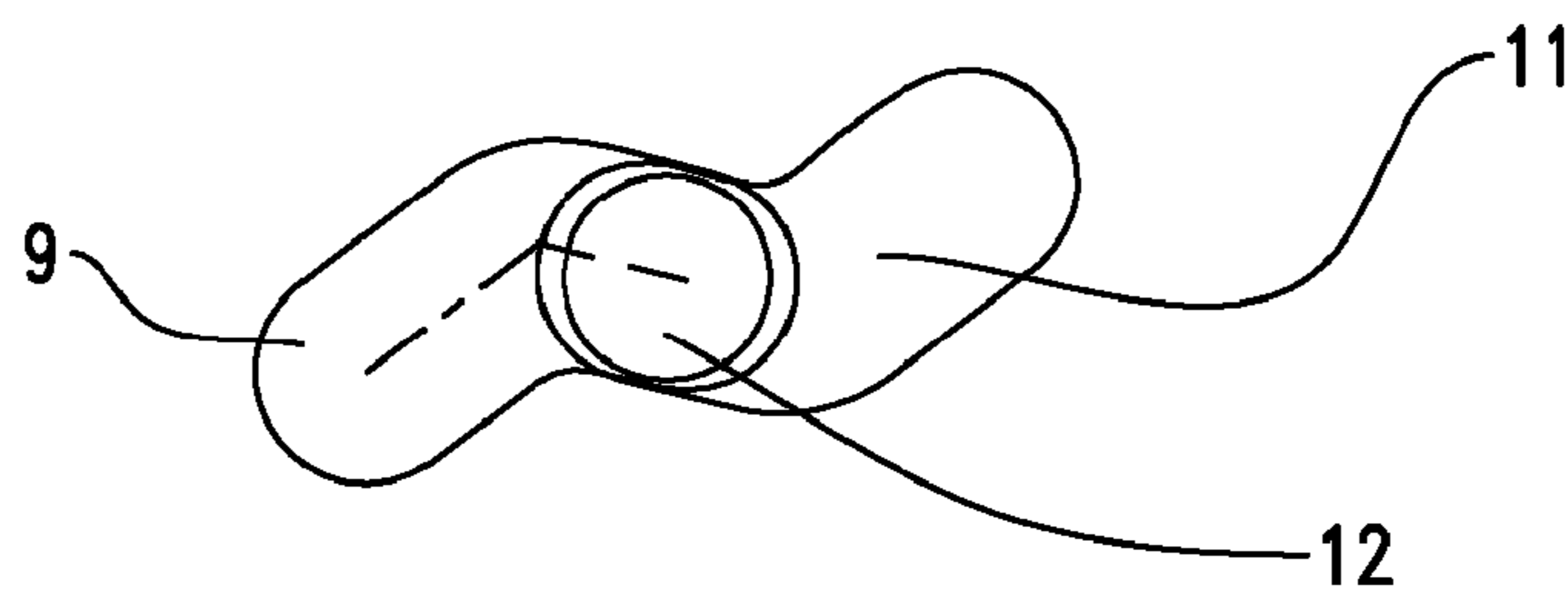


FIG. 21D

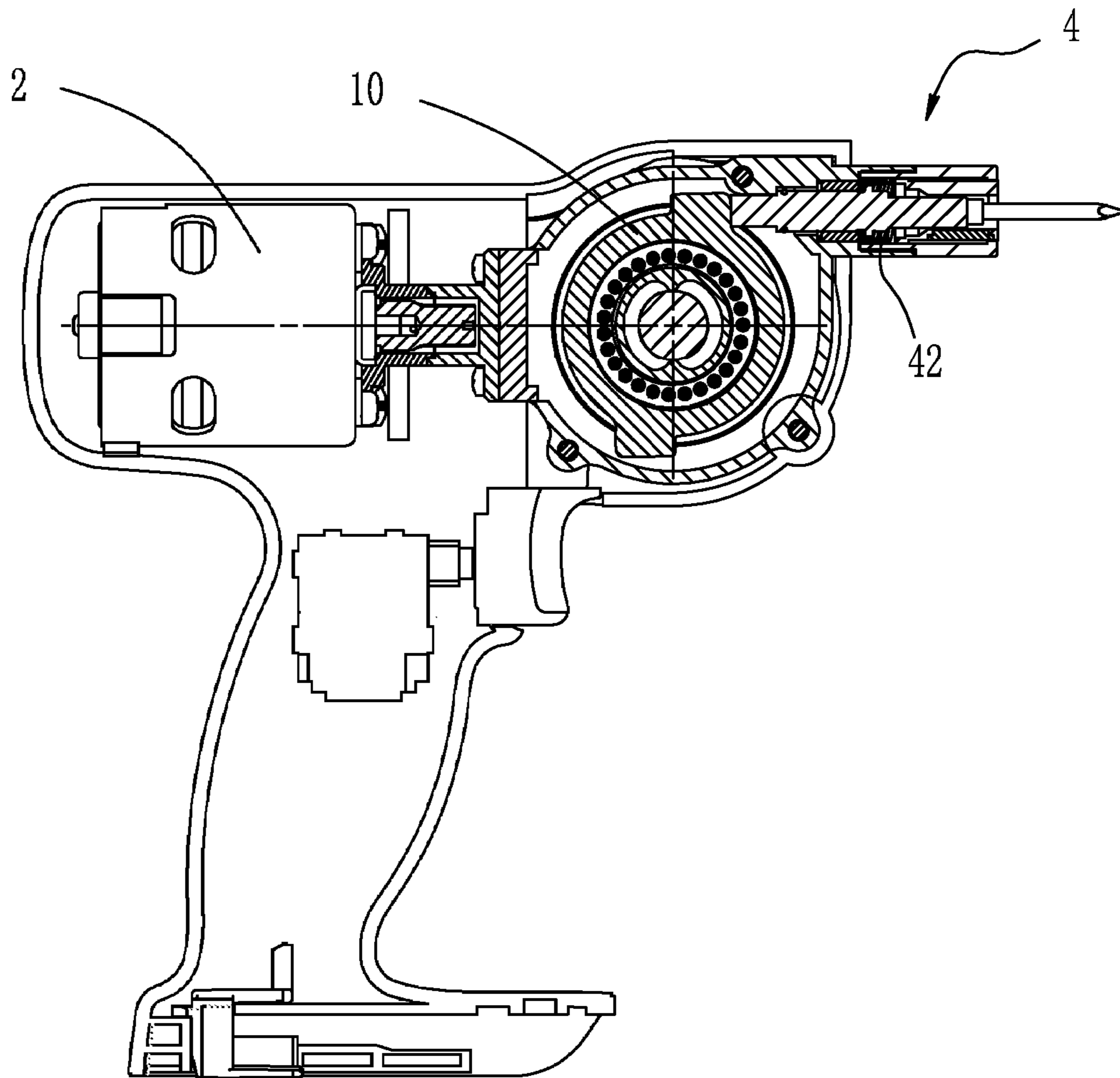


FIG. 22

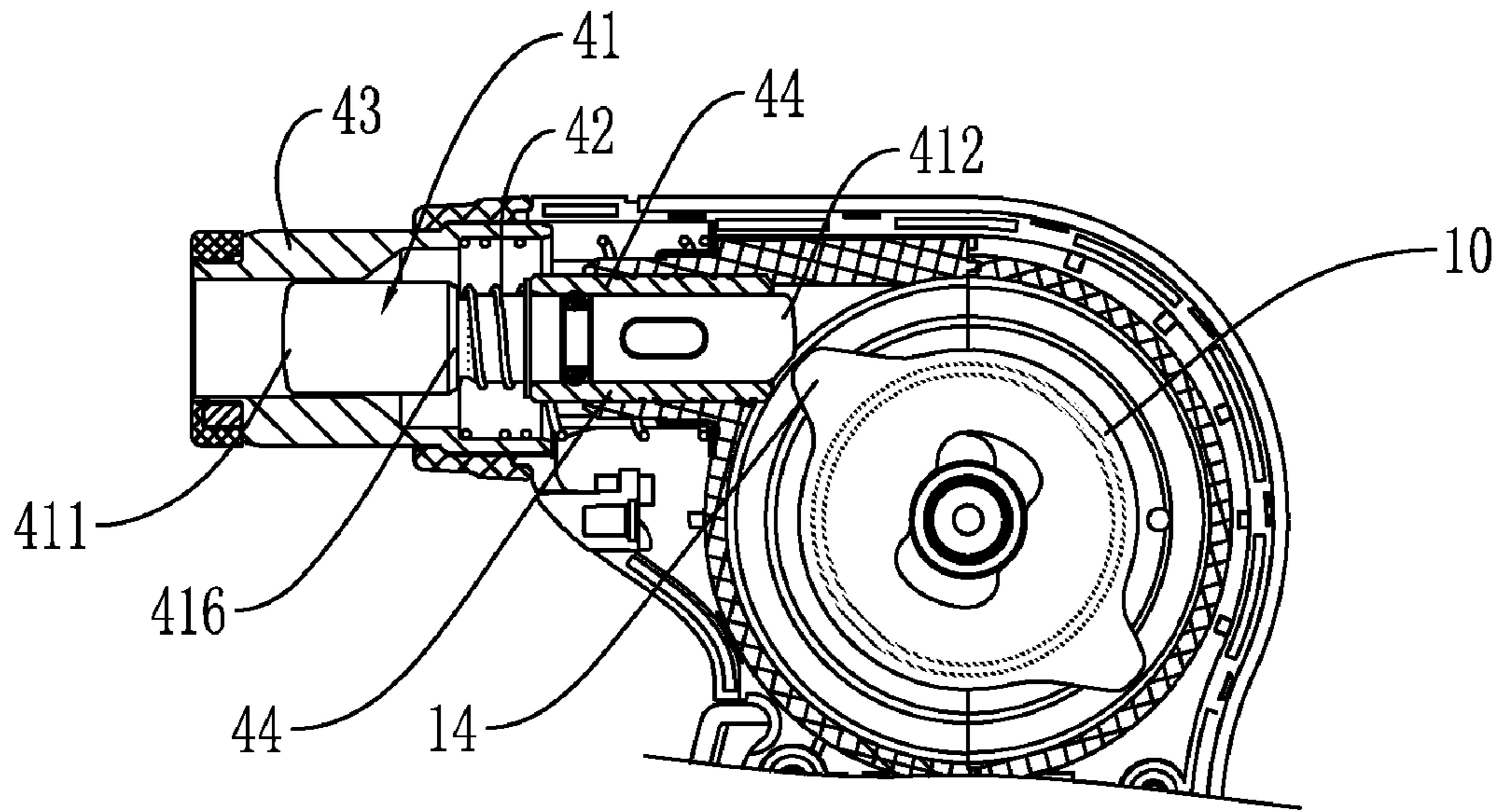


FIG. 23

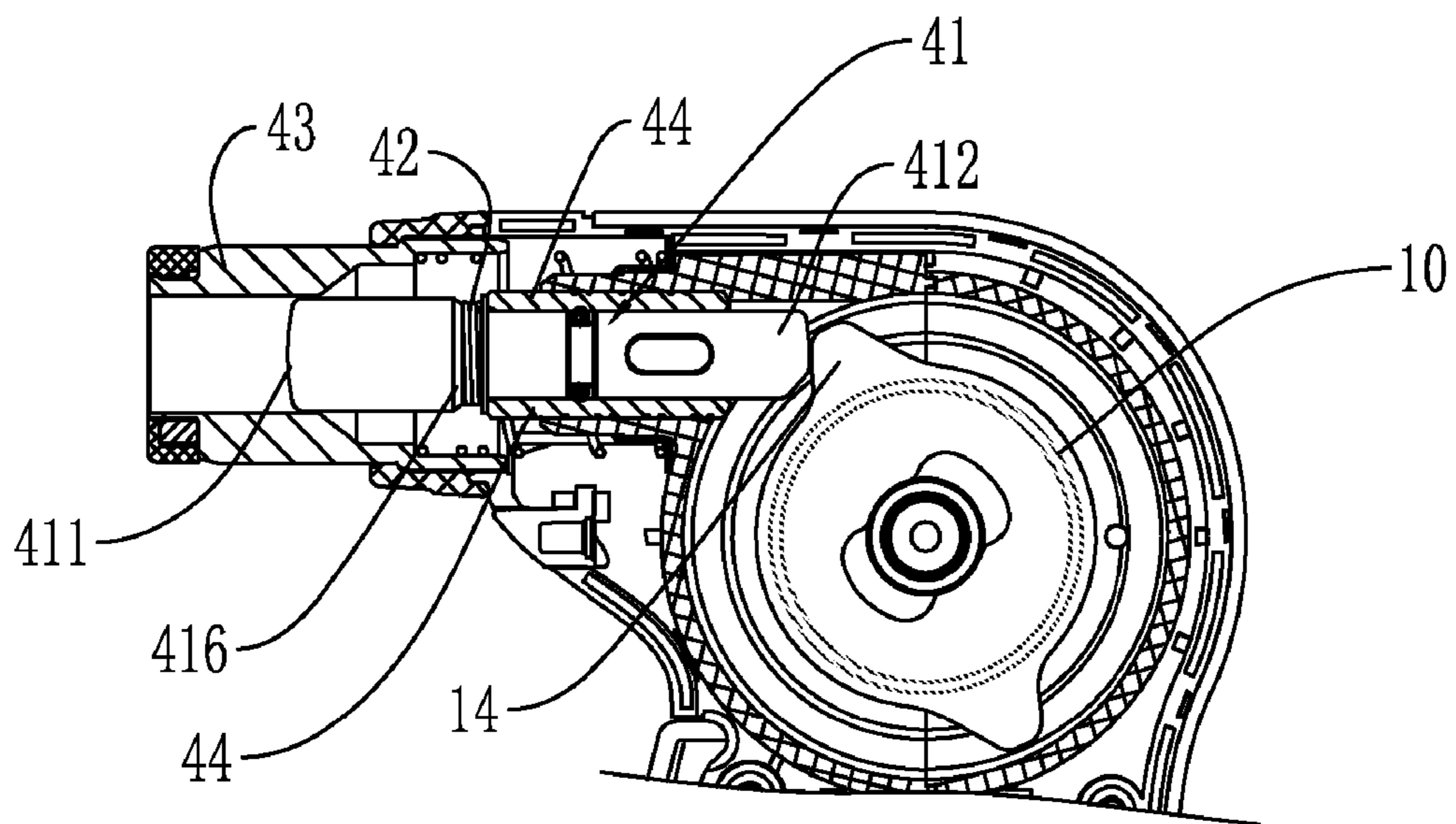


FIG. 24

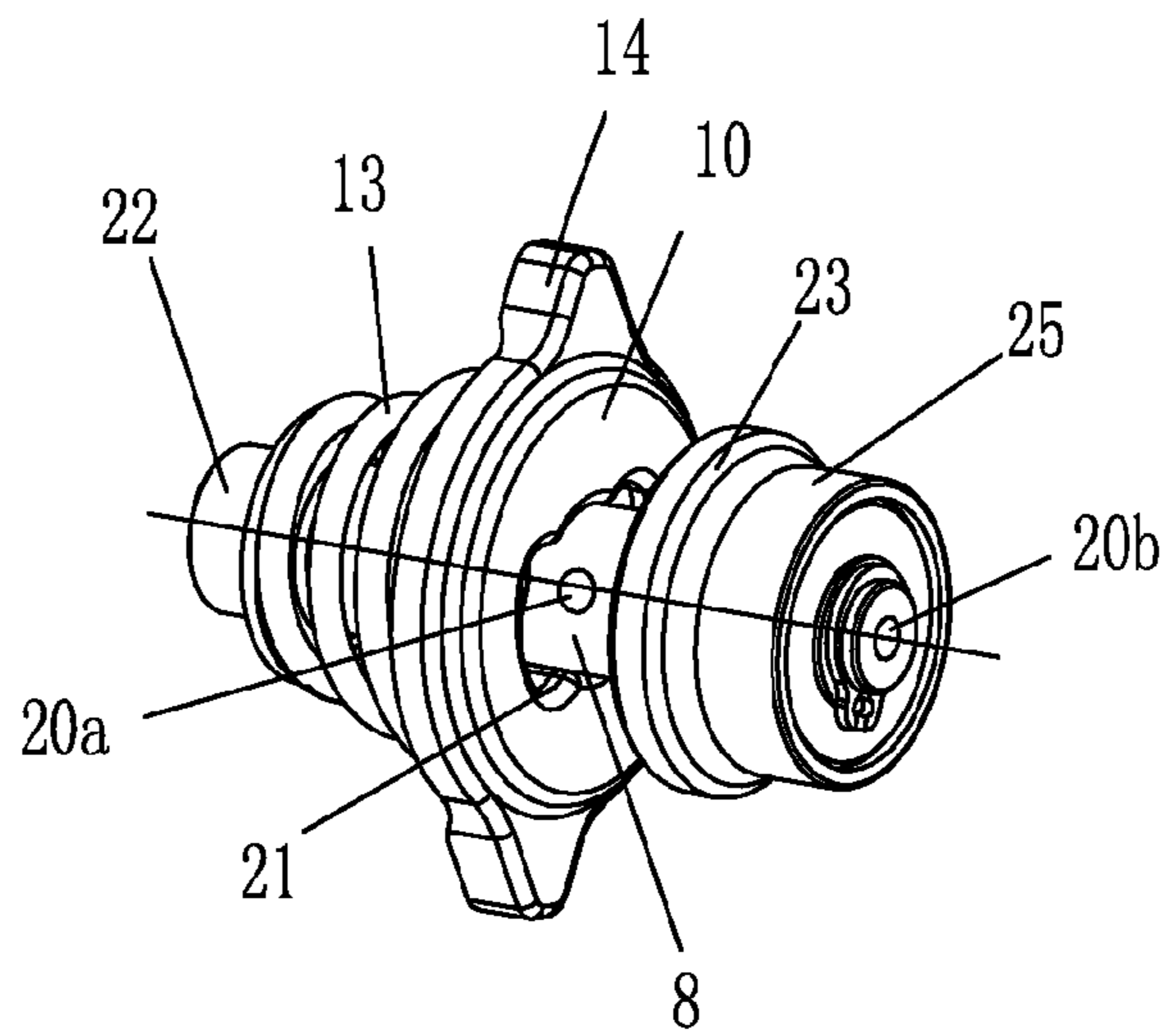


FIG. 25

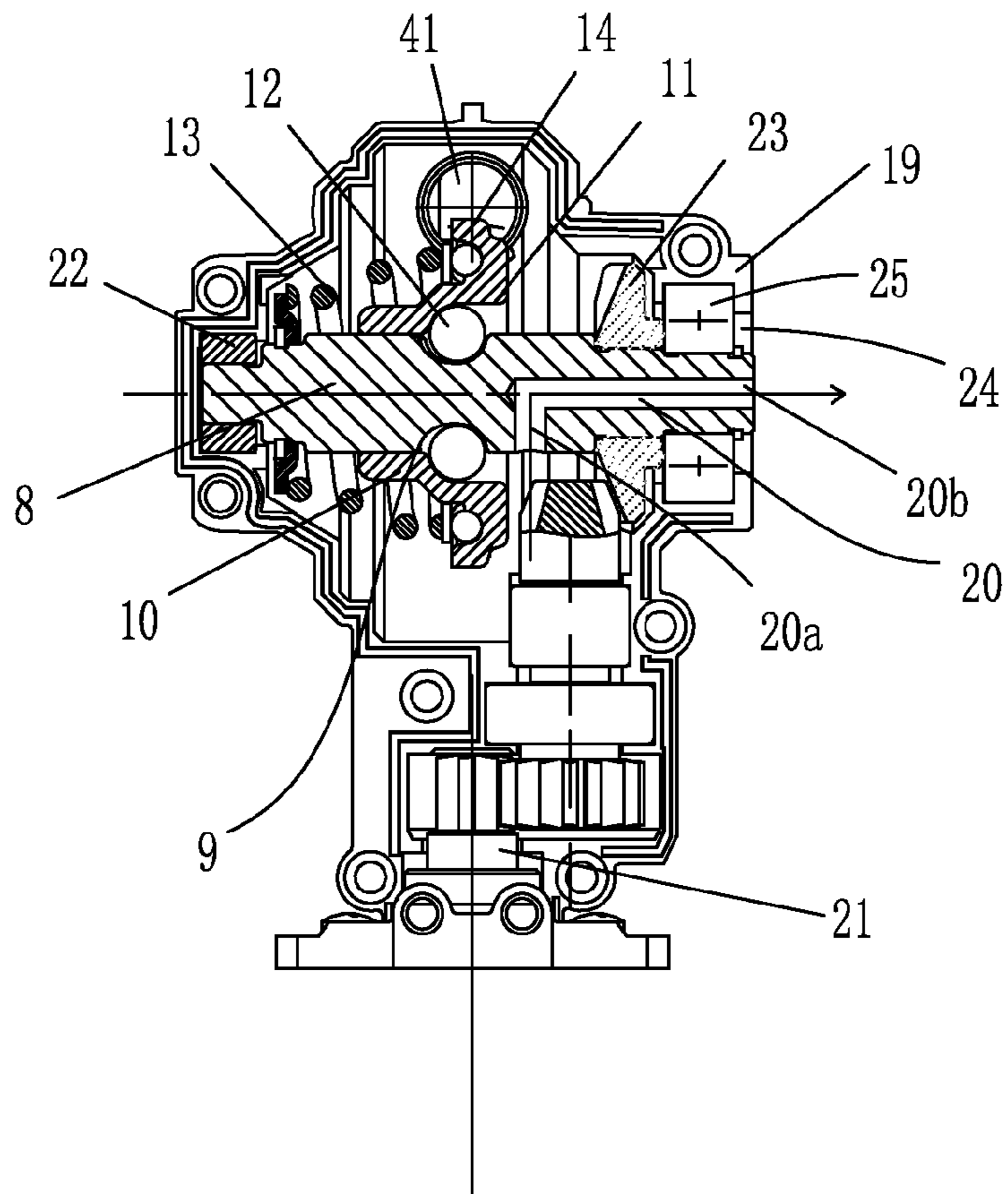


FIG. 26

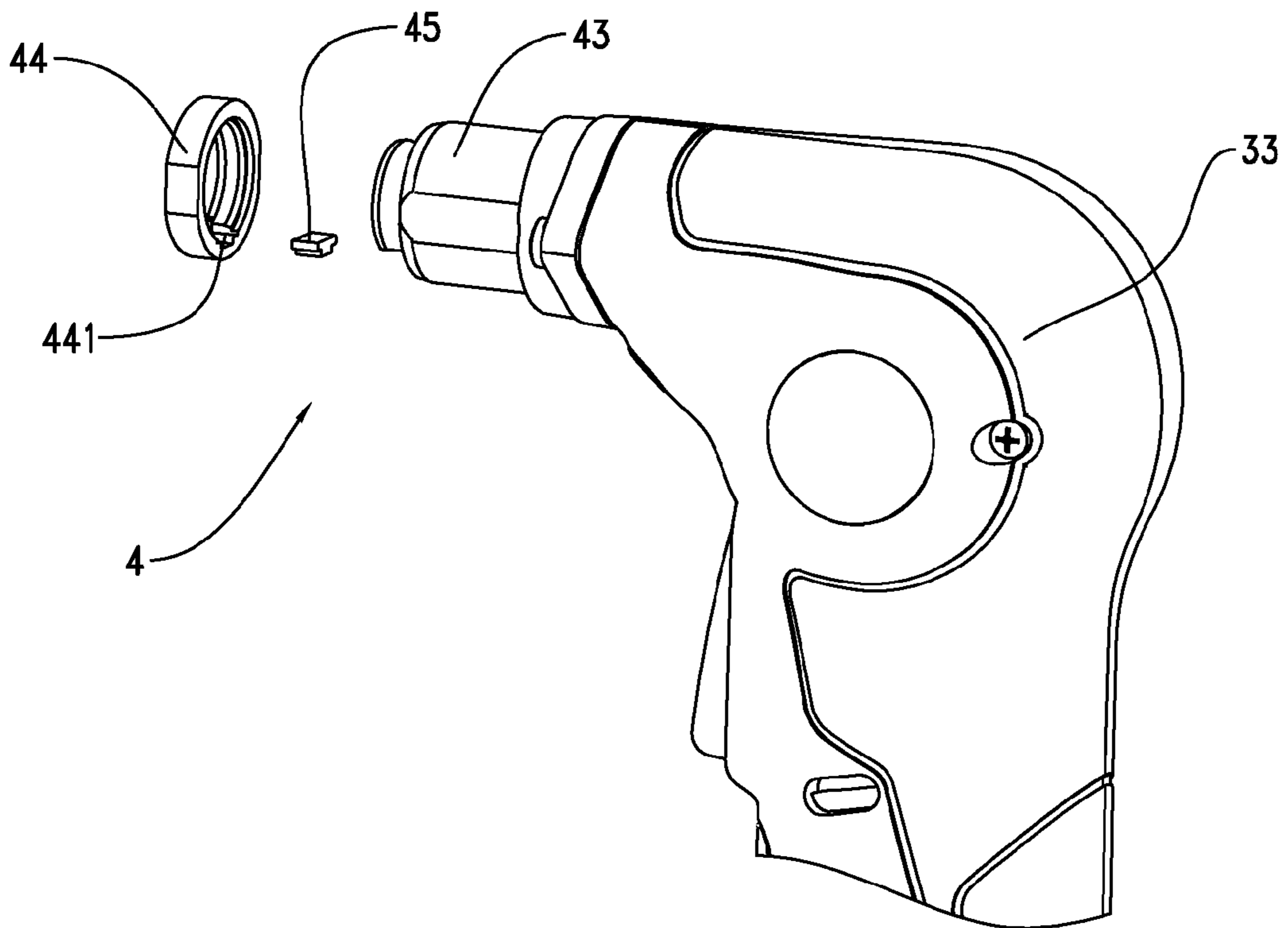


FIG. 27

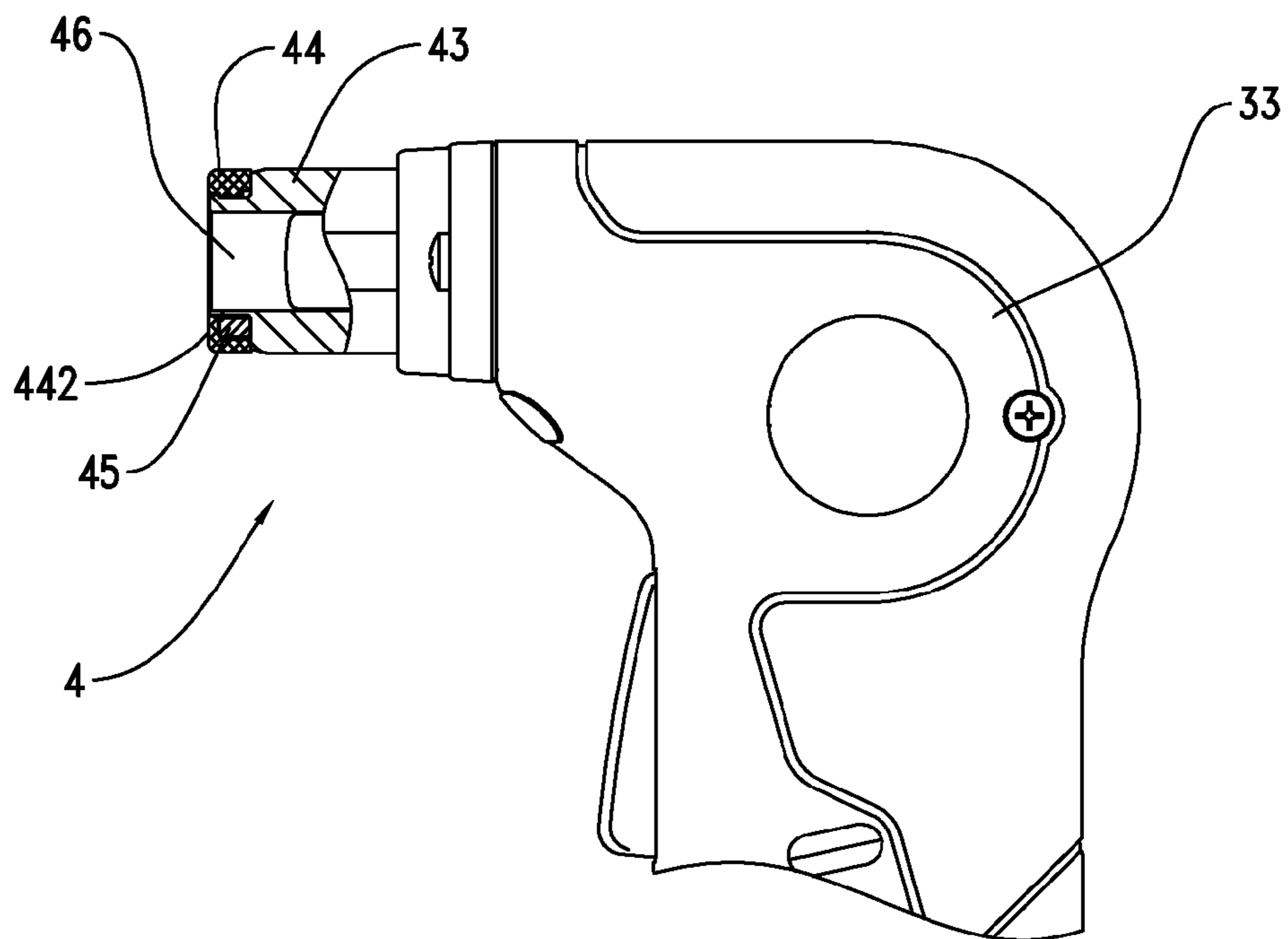


FIG. 28

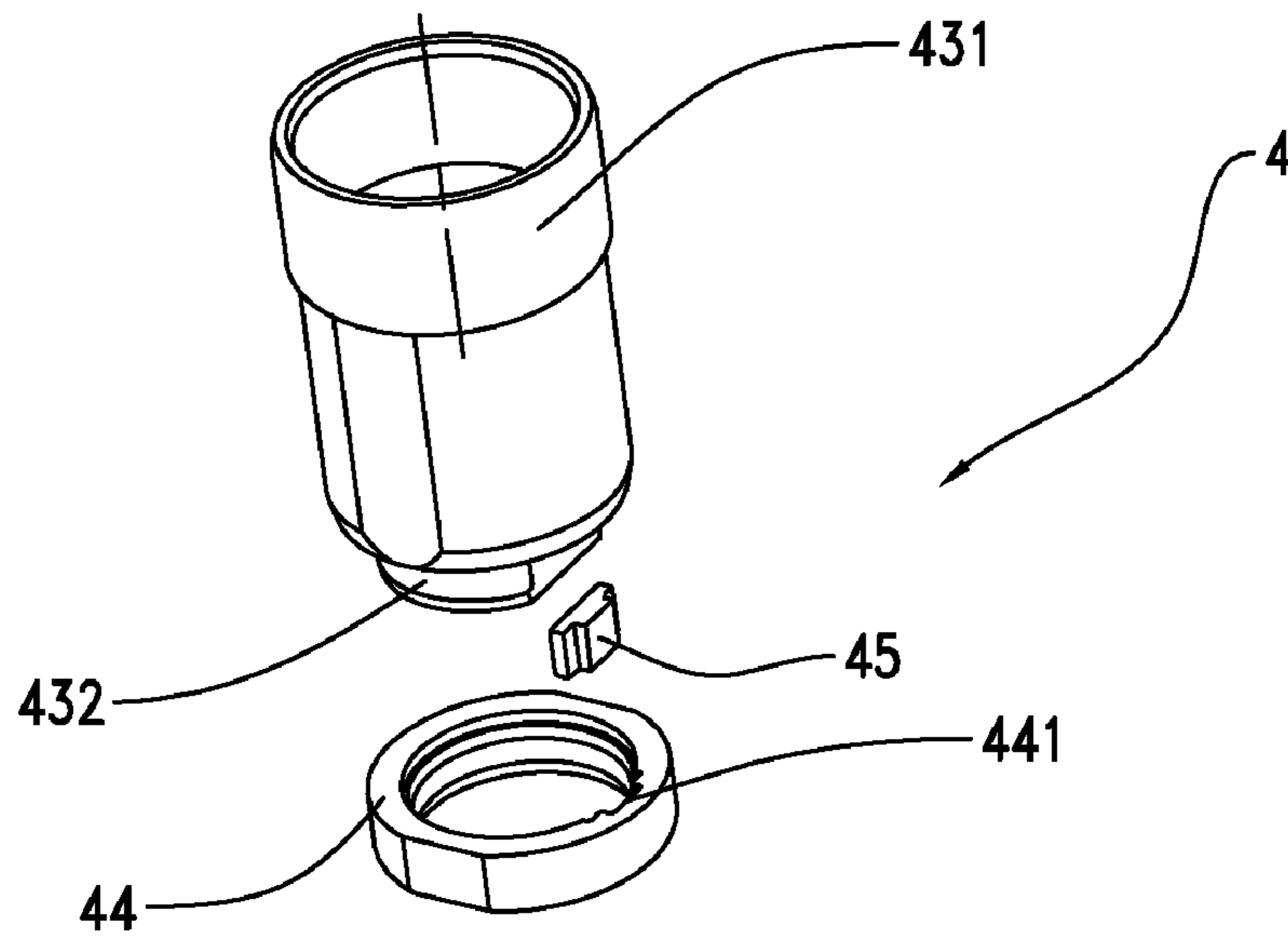


FIG. 29

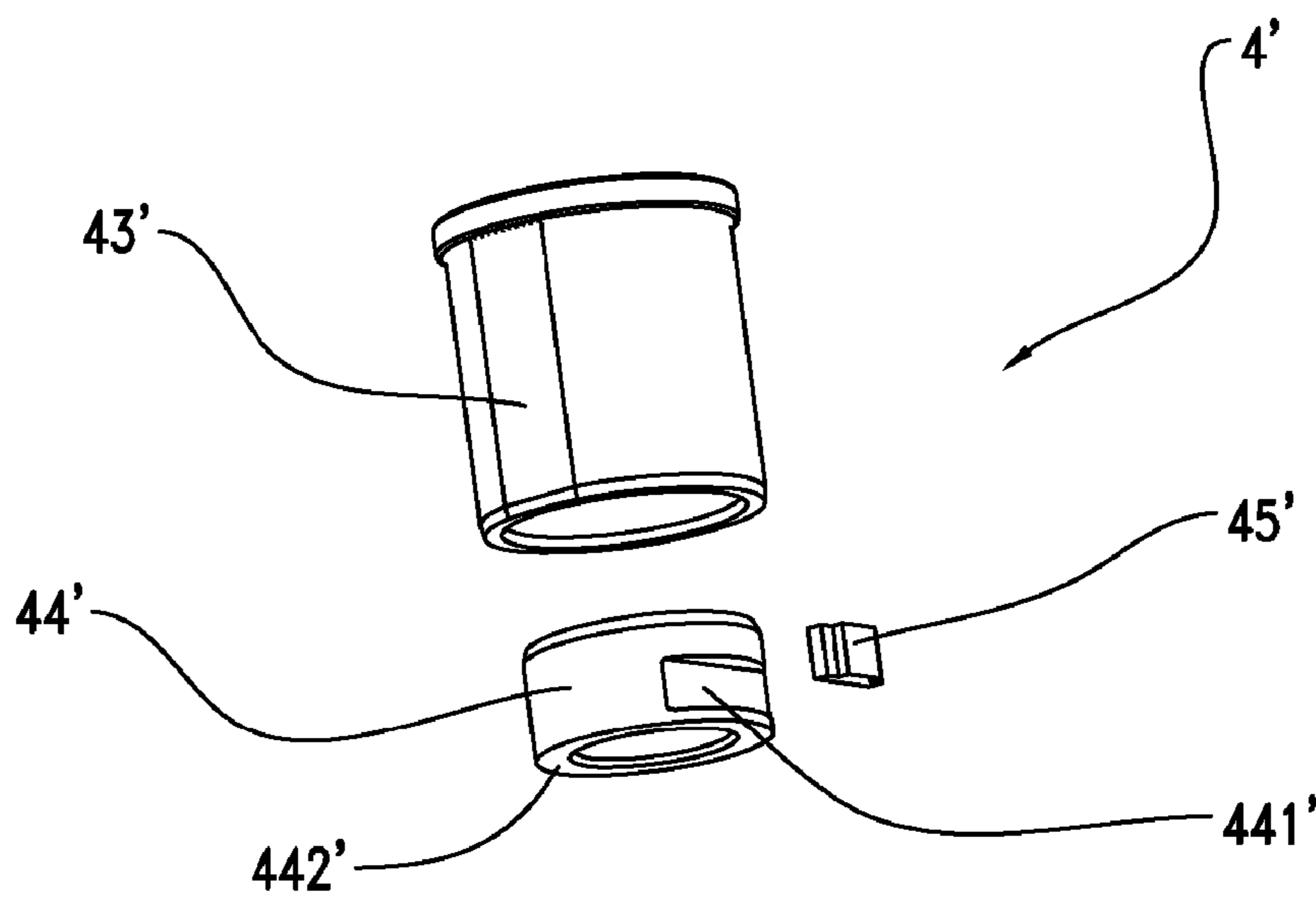


FIG. 30

1

NAILER DEVICE

Matter enclosed in heavy brackets [] appears in the original patent but forms no part of this reissue specification; matter printed in italics indicates the additions made by reissue.

BACKGROUND

The following generally relates to a nailer device and, more particularly, relates to an electric nailer device.

Nailer devices are commonly used portable tools. In accordance with the type of power source utilized, nailer devices can be generally divided into two types, e.g., pneumatic nailer devices and electric nailer devices. A pneumatic nailer device is operated with an air compressor attached as a power supply, which is commonly inconvenient for a user to move to different places during operation, so that the using of the pneumatic nailer device is limited in many occasions. An electric nailer device generally comprises a transmission mechanism for transmitting rotating motions of a motor into linear movements of an impact rod arranged in a nozzle. When a switch on the nailer device is turned on, electric power energy is thus converted into mechanical energy of reciprocating motions.

Both U.S. Pat. No. 6,431,430 and PCT Publication No. WO2006/008546 disclose a kind of electric nailer device powered by a battery pack. The disclosed nailer device comprises a crank-slider transmission mechanism for transferring rotating motions of a motor into linear motions. However, one disadvantage of this kind of nailer device is that the crank-slider transmission mechanism substantially performs push actions and the nailing efficiency of such push actions is much lower than that of strike actions when the nailer device is provided with the same motor power. Another disadvantage is that the push power of the pushing rod driven by the crank-slider transmission mechanism is a constant, so when the nail meets a hard object, the resistance force caused thereby may cause the rotor of the motor to stop subjecting the motor to possible damage. A further disadvantage is that the motor is arranged in front of or behind the handle so that the connection between the motor and the transmission mechanism takes a lot of space which makes the nailer device relatively larger and inconvenient for a user to carry.

Yet further, Chinese Patent Application No. 200410088827.9 discloses a nailer device comprising a transmission mechanism which transfers rotational power of a motor to provide a compression three to a spring whereupon the spring is released through a release means to produce an impact force. This nailer device can carry out a single-strike action under the spring force, but not a continuous strike action, so the work efficiency is still relatively low, which results in the nailer device not gaining acceptance as a commonly used tool. Otherwise, the motor is arranged below the head of the housing, which is apart from the handle, so the structure of the nailer device is not compact.

SUMMARY

The following describes an improved electric nailer device which can carry out continuous strike actions. To this end, the nailer device comprises a housing containing a motor and a transmission mechanism. A housing has a nozzle portion with a striking rod for striking a nail being arranged therein, and the striking rod is moved in a reciprocating manner. A rotating shaft is mounted in the housing, and the rotating shaft is coupled to the output shaft of the motor through the transmis-

2

sion mechanism. An impact member is surrounding the rotating shaft and being moved with the rotating shaft. Corresponding slots are formed on the rotating shaft and the impact member respectively and mated with each other, with engagement members being contained in the corresponding slots.

The striking device may comprise a striking portion which can contact a head of a nail to be stricken and an impacted portion which can be contacted with the impact assembly.

The striking device may comprise a reciprocating member which can be moved in a reciprocating manner relative the housing.

The impact assembly may comprise a rotary impact member having a rotating axis.

The rotary impact member may comprise at least an impact part which can contact the impacted portion of the striking device periodically.

As will become apparent, the rotating motions of the motor are converted within the subject nailer into reciprocating striking movements of the striking device with the aid of a restoring device. Thus, while the motor continues rotating, the rotating motions of the motor are converted into periodic impact actions of the impact assembly through the transmission mechanism allowing the striking device to be driven with reciprocating movements to continuously strike the nail. The subject nailer also provides a relatively more compact structure and can carry out efficient and continuous strike actions, which overcomes the disadvantages of a single-strike or shoot-type nailer device of the prior art. Compared with this prior art, the subject nailer device is substantially different and improved so that the nailer device can be applied in different work occasions.

A better appreciation of the objects, advantages, features, properties, and relationships of the electric nailer disclosed hereinafter will be obtained from the following detailed description and accompanying drawings which set forth illustrative embodiments which are indicative of the various ways in which the principles described hereinafter may be employed.

BRIEF DESCRIPTION OF THE DRAWINGS

For use in better understanding the subject electric nailer reference may be had to the following drawings in which:

FIG. 1 is a perspective schematic view of a preferred first embodiment of a nailer device according to the present invention;

FIG. 2 is a cut-away view of the nailer device of FIG. 1 taken along a combination surface of the two half housings, wherein a battery pack of the nailer device is removed for clarity;

FIG. 3 is a cut-away view of the nailer device of FIG. 1 taken along the surface which is perpendicular to the combination surface of the two half housings, wherein the battery pack of the nailer device is removed for clarity;

FIG. 4 is a partial exploded view of a transmission mechanism of the nailer device of FIG. 1;

FIG. 5 is a perspective schematic view of a striking rod of the nailer device of FIG. 1;

FIG. 6 is a top plan view of the nailer device of FIG. 1, wherein the nozzle portion of the nailer device is cut away;

FIG. 7 is a perspective schematic view of a striking rod of a nailer device according to a second embodiment of the present invention;

FIG. 8 is a cross sectional view of a portion where the striking rod in FIG. 7 engages with a gear box;

3

FIG. 9 is a perspective schematic view of a striking rod of a nailer device according to a third embodiment of the present invention;

FIG. 10 is a cross sectional view of a portion where the striking rod in FIG. 9 engages with a gear box□

FIG. 11 is a schematic perspective view of a nailer device according to the present invention;

FIG. 12 is a cutaway view of the nailer device of FIG. 4 taken along a combination surface of the two half housings, wherein a battery pack of the nailer device is removed for clarity;

FIG. 13 is a cutaway view of the nailer device of FIG. 4 taken along the surface which is perpendicular to the combination surface of the two half housings, wherein the battery pack of the nailer device is removed for clarity;

FIG. 14 is a perspective view of an impact mechanism of the nailer device of FIG. 4, wherein half of the spring and the impact wheel are cutaway;

FIG. 15 is a perspective view of the rotating shaft of FIG. 14;

FIG. 16 is a front view of the rotating shaft of FIG. 14;

FIG. 17 is a front view of the impact wheel of FIG. 14;

FIG. 18 is a cutaway view of the impact wheel of FIG. 17 taken along A-A direction;

FIG. 19 A-D are schematic views showing the states of the movement of the steel ball, the guiding slot in the inner wall of the impact wheel and the slot of the rotating shaft in the embodiment of FIG. 14;

FIG. 20A-D are schematic views showing the states of the movement of the steel ball, the guiding slot in the inner wall of the impact wheel and the slot of the rotating shaft in another embodiment;

FIG. 21A-D are schematic views showing the states of the movement of the steel ball, the guiding slot in the inner wall of the impact wheel and the slot of the rotating shaft in still another embodiment;

FIG. 22 is a cutaway view of another embodiment of the nailer device□

FIG. 23 is a sectional view of a nozzle portion of the nailer device of FIG. 1, wherein the striking rod is in an initial position;

FIG. 24 is a sectional view of the nozzle portion of the nailer device of FIG. 1, wherein the striking rod is in a stricken position;

FIG. 25 is a perspective view illustrating a transmission mechanism of the nailer device of FIG. 11;

FIG. 26 is a detailed sectional view illustrating a gear housing of the nailer device of FIG. 12□

FIG. 27 is a partial perspective view of the nailer device of FIG. 1, wherein the nozzle portion is exploded;

FIG. 28 is a partial front elevation view of the nailer device of FIG. 1, wherein the nozzle portion is shown as a sectional view;

FIG. 29 is an exploded view of the nozzle portion of the nailer device of FIG. 1; and

FIG. 30 is an exploded view of the nozzle portion according to another embodiment.

DETAILED DESCRIPTION

As shown in FIGS. 1 and 2, a nailer device 1 of a preferred first embodiment comprises a housing 3 containing a motor 2 and a nozzle portion 4. The housing 3 is composed with a first half housing 31 and a second half housing 32. A substantially vertical grip is formed by a main body of the housing 3. An upper portion of the housing 3 extends forward to form as the nozzle portion 4. The nailer device 1 further comprises a

4

battery pack 5 for powering the motor 2. However, the nailer device 1 according to the present invention need not be restricted to the use of a DC power supply and may be equally powered by a source of AC power. A switch 6 is arranged on the housing 3 for controlling the motor 2. The nozzle portion 4 includes a striking rod 41 mounted therein for striking a nail 7, with a restoring spring 42 being mounted by surrounding the striking rod 41. The striking rod 41 is disposed substantially perpendicular to the main body of the housing 3 and is moved in a reciprocating manner within the nozzle portion 4. The striking rod 41 is shaped generally like a shaft, including a first end 411 for striking the nail and a second end 412 to be impacted. During operation, the striking rod 41 is driven to move and the first end 411 acts on a head of the nail. The nozzle portion 4 further includes a retractable nail containing sleeve 43 which is provided with an opening for containing at least the head of the nail.

As shown in FIGS. 2-4, a transmission mechanism is arranged in the housing 3 for converting rotating motions of the motor 2 into impact motions of the striking rod 41. The motor 2 is mounted vertically within the housing 3, having an upward motor shaft 21 connected with a multi-stage gear transmission mechanism including bevel gears. In this way, the rotation power of the motor 2 is transmitted to a rotating shaft 8 which is mounted in the upper portion of the housing 3 by two bearings. A pair of inclined slots 9 is formed on the rotating shaft 8. An impact wheel 10 is mounted on the rotating shaft 8. The impact wheel 10 comprises a pair of guiding slots 11 which are formed on its inner wall and opposite to the inclined slots 9 respectively. A pair of steel balls 12 is arranged movably in two chambers formed by the inclined slots 9 and the guiding slots 11. When the inclined slots 9 are moved relative to the guiding slots 11, the chambers formed thereby are moved with a result that the steel balls 12 can be moved along with the chambers. The impact wheel 10 can thus be driven to rotate through the steel balls 12 within the inclined slots 9 when the rotating shaft 8 is rotated. A pair of projections 14, which are extended along the diameter direction of the rotating wheel 10, is provided on the periphery of the rotating wheel. An energy storing spring 13 is mounted between the impact wheel 10 and the rotating shaft 8 in manner so that one end of the energy storing spring 13 abuts to a shoulder 81 of the rotating shaft 8 and the other end of the energy storing spring 13 abuts to a side surface of the impact wheel 10. Under an axial biasing force of the energy storing spring 13 acting upon the impact wheel 10 along the axial direction of the rotating shaft 8, the impact wheel 10 is located at a first axial position relative to the rotating shaft 8. In the first axial position, the impact wheel 10 rotates in a circle by means of the rotating shaft 8 and the steel balls 12. When the impact wheel 10 is rotated to a position where the projections 14 contact the second end 412 of the striking rod 41, and the striking rod 41 encounters a larger resistance that is difficult to be overcome provisionally, the impact wheel 10 is temporarily stopped from rotating by the striking rod 41, so that the impact wheel 10, under the cooperation of the steel wheels 12, the guiding slots 11 and the inclined slots 9, overcomes the axial force of the spring 13, compresses the energy storing spring 13 and moves from the first axial position to a second axial position relative to the rotating shaft 8. At the second axial position, the projection 14 of the impact wheel 10 departs from the striking rod 41, and the stopping is released. In this case, the energy storing spring 13 starts to release its elastic potential energy. Under a function of rebound axial force of the energy storing spring 13, the impact wheel 10 is pressed back to its first axial position quickly, and is moved at a higher speed than that of the rotating shaft under the coop-

5

eration of the inclined slots 9, the guiding slots 11 and the steel wheels 12. As a result, the second end 412 of the striking rod 41 is impacted by the projections 14 of the impact wheel 10 to move at a high speed in a direction away from the projections 14 and the striking rod 41 strikes the head of the nail 7 quickly. In this way, a strike action is achieved. When the impact wheel 10 is continuously driven to rotate to be stopped by the striking rod 41, it enters into succeeding cycles, which will be achieved in the same manner.

FIG. 5 shows the striking rod 41 used in the preferred first embodiment. The second end 412 of the striking rod 41 has an end face 416. The striking rod 41 comprises a flat surface 414 on the peripheral outer surface adjacent to the second end 412. The flat surface 414 joins the end face 416 of the second end 412 and is parallel to a surface 141 of the projection 14 which contacts with the striking rod 41 when the impact wheel 10 is in the second axial position. During an impact, when the impact wheel 10 is in the first axial position relative to the rotating shaft 8, the impact wheel 10 rotates in a circle and arrives at a predetermined position so that the projection 14 contacts with the end face 416 of the striking rod 41 and, when the impact wheel 10 is moved from the first axial position to the second axial position, the impact wheel 10 is released from stopping by the end face 416 of the striking rod 41. Within a short time after the stopping is released, the projection 14 does not completely depart from the striking rod 41. At this time, the projection 14 presses and contacts the flat surface 414 on the peripheral outer surface of the striking rod 41 adjacent to the end face 416. When the projection 14 departs completely from the striking rod 41, the projection 14 disengages with the flat surface 414. As compared with a cylindrical surface or an arc surface, the flat surface 414 makes the contact area between the projection 14 and the peripheral outer surface of the striking rod 41 increased, so that the abrasion of the second end 412 due to the friction between the projection 14 and the peripheral outer surface of the striking rod 41 is reduced. In addition, a pair of grooves 415 are provided on the peripheral outer surface of the striking rod 41 and located on the opposite sides of the striking rod 41. Two through-holes are formed on the gear box 15, corresponding to the grooves 415.

As shown in FIG. 6, after the striking rod 41 is inserted into the gear box 15, a pair of pins 17 are held in the through-holes of the gear box 15 and extend partially into the grooves 415 on the striking rod 41, so that the striking rod 41 is mounted within the gear box 15 and is prevented from running out from the nozzle portion 4. The pins 17 are fitted for the grooves 415 of the striking rod 41 and prevent the striking rod 41 from rotating around its longitudinal axis 411 so that the projection 14 contacts the flat surface 414 all the way in the second axial position. That is to say, the friction between the projection 14 and the striking rod 41 occurs on the flat surface 414 with larger contact area, rather than on the other portions of the peripheral outer surface of the striking rod 41. The grooves 415 have a length in the direction of the longitudinal axis 411 of the striking rod 41. During the impact, the striking rod 41 is moved back and forth over the length along its longitudinal axis 411. The restoring spring 42 is arranged between the striking rod 41 and the gear box 15 for bringing the striking rod 41 restoring back after a movement along its longitudinal axis.

It should be understood that the above-mentioned pair of grooves 415 may also be replaced by one through-groove running through the striking rod 41. Accordingly, the striking rod 41 can be mounted onto the gear box 15 by one pin 17 passing through the through-hole on the gear box and the through-groove, and be prevented from rotating around its

6

longitudinal axis 411. It is conceivable for the skilled that, the sliding connection that is realized along the longitudinal axis of the striking rod 41 by the above-mentioned pair of grooves, the pair of holes and the pair of pins can also be achieved by utilizing one groove, one hole and one pin. It is also conceivable that, the sliding connection along the longitudinal axis of the striking rod can be realized if the groove on the striking rod is reversed with the hole on the gear box or the hole on the gear box is changed into the groove with a length in a direction of the longitudinal axis of the striking rod. As a connection member, the pin may also be replaced by any other connection members with suitable shapes and configurations.

In a second embodiment of the nailer device according to the present invention, the sliding connection structure between the striking rod and the gear box along the longitudinal axis of the striking rod is different to that in the first embodiment. In the second embodiment, the striking rod 41 also comprises a flat surface 414 which joins the end face 416 of the second end 412 and is parallel with a surface 141 of the projection 14 which contacts with the striking rod 41 when the impact wheel 10 is in the second axial position. However, no hole or groove structure for mounting the pin is arranged on the striking rod and the gear box. As shown in FIGS. 7-8, the striking rod 41 comprises a flat surface 51 on its peripheral outer surface, and the gear box 15 correspondingly comprises an inner surface 61 for mating with the flat surface 51 on the striking rod 41. When the striking rod 41 is inserted into the gear box 15, the flat surface 51 is engaged with the inner surface 61, which prevents the striking rod 41 from rotating around its longitudinal axis 411, without limiting the striking rod 41 to move along its longitudinal axis direction. As a result, the projection 14 contacts with the flat surface 414 all the way when the impact wheel 10 is in the second axial position.

The surface where the striking rod 41 slidably engages with the gear box is not restricted as a flat surface. For example, the surface may be a curved surface or an irregular surface. A third embodiment of the nailer device according to the present invention is shown in FIGS. 9-10. A portion of the peripheral outer surface of the striking rod 41 is shaped with a toothed surface 52, and the inner surface where the gear box 15 mates with the toothed surface 52 is also a toothed surface 62 accordingly, so that the movement of the striking rod 41 along its longitudinal axis is allowable and the rotation of the striking rod 41 around the longitudinal axis is prevented.

In summary, it will be understood that the nailer device of the present invention is not restricted to the particular embodiments illustrated and disclosed hereinabove. Accordingly, any substitutes and modifications of the configuration and position of the members according to the spirit of the present invention will be regarded as falling within the range of the present invention.

With reference to FIGS. 11 and 12, a nailer device 1 of an exemplary embodiment comprises a housing 3 containing a motor 2 and having a nozzle portion 4. The housing 3 is composed with a first half housing 31 and a second half housing 32. A substantially vertical grip is formed on a main body of the housing 3. An upper portion of the housing 3 extends forward to form as a nozzle portion 4.

In this embodiment, the nailer device 1 comprises a battery pack 5 for powering the motor 2. The nozzle portion 4 includes a striking rod 41 mounted therein through a restoring spring 42 for striking a nail 7. The striking rod 41 is disposed substantially perpendicular to the main body of the housing 3 and is moved in a reciprocating manner within the nozzle portion 4. During operation, the end face of the striking rod 41 acts on a head of the nail 7. The nozzle portion 4 further

7

includes a retractable nail containing sleeve **43**. The inner diameter of the nail containing sleeve **43** is bigger than the nails commercially used, thus nails with different shapes and sizes can be placed therein.

With reference to FIGS. **13-19**, a transmission mechanism is arranged in the housing **3** for converting rotating motions of the motor **2** into impact motions of the striking rod **41**. The motor **2** is mounted vertically within the housing **3**, having an upward motor shaft **21** connected with a multi-stage gear transmission mechanism including bevel gears. In this way, the rotation power of the motor **2** is transmitted to a rotating shaft **8** which is mounted in the upper portion of the housing **3** by two bearings. A pair of slots **9**, only one of which is shown, is formed on the rotating shaft **8**. The slot **9** comprises an actuator slot portion **91** and a cushion slot portion **92**. The actuator slot portion **91** comprises a first direction along its length, and the cushion slot portion **92** comprises a second direction along its length. The actuator slot portion **91** and the cushion slot portion **92** are joined through smooth curves at the intersection of the two directions. Preferably, the length of the cushion slot portion **92** is shorter than that of the actuator slot portion **91**. The length of the cushion slot portion **92** may also be designed equal to or longer than the length of the actuator slot portion **91**. However, this would result in an increase of the length of the slot **9** in the outer cylindrical surface of the rotation shaft, which then requires an increase of the diameter of the rotating shaft to provide a larger area of the outer cylindrical surface for machining the slot **9**. An impact wheel **10**, which is substantially a hollow cylinder, is mounted on the rotating shaft **8**. The impact wheel **10** comprises a pair of guiding slots **11** which are formed on its inner wall and opposite to the slots **9** respectively. The guiding slots **11** are corresponding to the slots **9**. In this embodiment, the guiding slots **11** are elongated slot with a single inclination direction which is substantially the same direction as the length of the actuator slot portion **91**. A pair of steel balls **12** is arranged movably in two chambers formed by the slots **9** and the guiding slots **11**. When the slots **9** are moved relative to the guiding slots **11**, the chambers formed thereby are moved with a result that the steel balls **12** can be moved along with the chambers. The impact wheel **10** can thus be driven to rotate through the steel balls **12** within the slots **9** when the rotating shaft **8** is rotated. An energy storing spring **13** is mounted between the impact wheel **10** and the rotating shaft **8** in manner so that an end of the energy storing spring **13** abuts to a shoulder **81** of the rotating shaft **8** and the other end of the energy storing spring **13** abuts to a side surface of the impact wheel **10**. Under an axial biasing force of the energy storing spring **13** acting upon the shoulder **81** and the impact wheel **10**, the steel balls **12** are located at the joints **93** of the actuator slot portions **91** and the cushion slot portions **92** of the slots **9** and the bottom ends **111** of the guiding slots **11** as shown in FIG. **19A**, when the rotating shaft **8** and the impact wheel **10** are actionless or rotated. In this state, the impact wheel **10** is at a first axial position relative to the rotating shaft **8**.

With reference to FIGS. **12** and **14**, a pair of projections **14**, which are extended along the diameter direction of the impact wheel **10**, is provided on the periphery thereof. When the switch **6** is turned on, the motor **2** is powered to rotate to drive the rotating shaft **8** through the multi-stage gear transmission and the impact wheel **10** is rotated together with the rotating shaft **8** under the cooperation of the slots **9**, the guiding slots **11**, the steel balls **12**, and the energy storing spring **13**. So at the first axial position, the impact wheel **10** rotates in a circle under the function of the rotating shaft **8** and the steel balls **12**. When the impact wheel **10** is rotated to a position where the

8

projections **14** contact the striking rod **41**, and the striking rod **41** encounters a larger resistance that is difficult to be overcome provisionally, the impact wheel **10** is provisionally stopped from rotating by the striking rod **41**, while the locations of the guiding slot **11** of the impact wheel **10**, the steel ball **12** and the slot **9** of the rotating shaft **8** are indicated with the solid lines in FIG. **19A**. As the rotating shaft **8** is driven to continue rotating, each of the slots **9** is rotated from a location indicated in FIG. **19A** to a middle location indicated in FIG. **19B** so that each corresponding steel ball **12** is pressed to move downwards along with the actuator slot portion **91** of the slot **9**. Accordingly, the impact wheel **10** is pushed to move from the first axial position to a second axial position and presses the energy storing spring **13** thereby. At the second axial position as shown in FIG. **19C**, the steel ball **12** is moved to the bottom end **911** of the actuator slot portion **91** and the upper end **112** of the guiding slot **11**. In this case, the energy storing spring **13** is pressed in maximum degree, the projection **14** of the impact wheel **10** departs from the striking rod **41**, so that the rotating of the impact wheel **10** can not be stopped by the striking rod **41** any more, and the elastic potential energy of the energy storing spring **13** is released. Under a function of rebound force of the energy storing spring **13**, the impact wheel **10** is pressed back to its first axial position quickly and is rotated at a higher speed. As a result, the striking rod **41** is impacted by the projections **14** of the impact wheel **10** to move at a high speed at the first axial position in a direction away from the projections **14** and the striking rod **41** strikes the head of the nail **7** quickly. In this way, a strike action is achieved. Meanwhile, the steel balls **12** are moved quickly, with the cooperation of the rotating shaft **8** and the impact wheel **10**, from the bottom end **911** of the actuator slot portion **91** to the joint end **93** between the actuator slot portion **91** and the cushion slot portion **92**. When arriving at the joint end **93**, the steel ball **12** continues moving into the cushion slot portion **92**, as shown in FIG. **19D**.

When the strike action is finished, the striking rod **41** is returned back to its original position under the rebound force of the restoring spring **42**. When the projections **14** are continuously driven to rotate to contact the striking rod **41**, the impact wheel **10** is stopped rotating again to enter into succeeding cycles, which will be achieved in the same manner. While the striking rod **41** is moved to drive the nail **7**, the restoring spring **42** is compressed.

It should be understood that, in this embodiment, the configuration of the slots **9** on the rotating shaft **8** can also be used for the guiding slots **11** on the impact wheel **10**. That is to say, the guiding slots **11** on the impact wheel **10** can also be designed to have a cushion slot portion. Succession of movement states of the guiding slot **11** on the impact wheel **10** with a cushion slot portion, the slot **9** on the rotating shaft **8** without a cushion slot portion and the steel ball **12** are shown in FIGS. **20A-D**. Succession of movement states of the guiding slot **11**, the slot **9**, both of which have a cushion slot portion, and the steel ball **12** are shown in FIGS. **21A-D**. In the two cases, succession of the movement status of the guiding slot **11**, the slot **9** and the steel ball **12** are substantially same as that in FIGS. **19A-D**, so that the detailed description is omitted.

The nailer device of this embodiment can also be embodied with other shapes. With reference to FIG. **22**, a second exemplary embodiment of a nailer device according to the present invention is shown. A housing **3** of the nailer device in the second embodiment is substantially T-shaped when the battery pack is removed, and a motor **2** is arranged horizontally in the housing **3** and behind a nozzle **4**. However, a transmission mechanism and the principle utilized in the nailer device

in the second exemplary embodiment are similar to those in the first embodiment and, as such, need not be described in detail herein.

Additionally, the springs **13**, **42** in the above embodiments may be substituted with other biasing members or other means for producing attraction force or exclusion force, for example, magnetic members.

The impact wheel **10** in the above embodiments may also be substituted with a piston, a centrifugal member, or a spring to impact the striking rod.

With reference to FIGS. **23** and **24**, a shaft sleeve portion **44**, which is integrated with the gear housing, is disposed in the nozzle portion **4** of the nailer device, and the striking rod **41** is inserted in the shaft sleeve portion **44**. A restoring spring **42** is mounted on the striking rod **41** in such a manner that one end of the spring **42** abuts to the shoulder **416** of the striking rod **41** and the other end thereof abuts to the end surface of the shaft sleeve portion **44**. The restoring spring **42** exerts a spring force toward the outside of the housing on the striking rod **41**, along the longitudinal direction of the striking rod **41**. When no external force is acted on the striking rod **41**, the striking rod **41** is located at an initial position due to the spring force of the spring **42** where the striking rod **41** does not contact with the projections **14** of the impact wheel **10**, as shown in FIG. **23**. In this case, the spring **42** exhibits a first elastic state that the stricken end **412** of the striking rod **41** is positioned beyond the motion track along the circumference of the projections **14**. When an external force is applied to the striking rod **41**, i.e. the nail is needed to be nailed into a solid object, the striking rod **41** receives a larger resistance which overcomes the spring force of the spring **42** and urge the striking rod **41** to move to approach the impact wheel **10**. Upon the striking rod **41** moves to the position shown in FIG. **24**, the spring **42** exhibits a second elastic state that the striking rod **41** is located on a stricken position where the striking rod **41** may contact with the projections **14** of the impact wheel, and the stricken end **412** of the striking rod **41** is arranged in the motion track along the circumference of the projections **14**. As a result, the projection **14** may contact with the stricken end **412** of the striking rod **41** at one position in this motion track.

The restoring spring **42** as mentioned above may be formed as a compression spring or coil spring. However, those skilled in the art may easily understand that the spring **42** may be substituted with other elastic members or biasing members for producing attraction force Or exclusion force such as, for example, magnetic members.

As shown in FIG. **4**, an energy storing spring **13** is mounted between the impact wheel **10** and the rotating shaft **8** so that one end of the energy storing spring **13** abuts to a shoulder **81** of the rotating shaft **8** and the other end thereof abuts to the impact wheel **10**. The axial force of this energy storing spring **13** may be used to make the impact wheel **10** to locate at a first axial position relative to the rotating shaft **8**. At this first axial position, the impact wheel **10** rotates circumferentially under the action of the rotating shaft **8** and the steel balls **12**. If the striking rod **41** is now located at the stricken position shown in FIG. **24**, the striking rod **41** stops the rotation of the impact wheel **10** temporarily because it encounters a larger resistance which cannot be overcome temporarily when the impact wheel **10** rotates to a position where the projections **14** may contact with the striking rod **41**. As a result, the impact wheel **10** is pushed to gradually press the energy storing spring **13** and thereby moves from the first axial position to a second axial position. At this second axial position, the projections **14** of the impact wheel **10** depart from the striking rod **41**. At this moment, the energy storing spring **13** releases the elastic

potential energy thereof. Under the function of the rebound force of the energy storing spring **13**, the impact wheel **10** is axially back to its first axial position, and a high speed rotation which exceeds the rotating shaft in speed will be produced with the cooperation of the inclined slots **9**, the guiding slots **11** and the steel balls **12**. As a result, the stricken end **412** of the striking rod **41** is impacted by the projections **14** of the impact wheel **10** to strike the nail **7** at high efficiency, and thus a strike action is achieved. After the first strike action is completed, the striking rod **41** is returned back to its initial position as shown in FIG. **23** under the rebound force of the restoring spring **42**. When the impact wheel **10** is stopped rotating again by the striking rod **41**, it enters into a second impact cycle, and the succeeding impact cycles will be achieved in the same manner.

With reference to FIGS. **12**□**25**□**26**, a motor shaft **21** is connected with the input end of the transmission mechanism, and the power output end of the transmission mechanism is mated with the striking rod **41**. The rotation power of the motor **2** is transmitted to a main shaft **8** by a multi-stage gear transmission mechanism. The main shaft **8** is perpendicular to the motor shaft **21** and provided with two pairs of inclined slots **9**. An impact member **10**, which is a generally hollow cylinder, is mounted on the main shaft **8**. The impact member **10** comprises a pair of guiding slots **11** which are formed on its inner cylinder surface and opposite to the inclined slots **9** respectively. A pair of steel balls **12** is arranged between the inclined slots **9** and the guiding slots **11**. The impact member **10** can thus be driven to rotate via the steel balls **12** arranged in the inclined slots **9** when the main shaft **8** is rotated. A spring **13** is mounted between the impact member **10** and the main shaft **8** so that one end of the spring abuts to a shoulder **22** of the main shaft **8** and the other end thereof abuts to the impact member **10**. A projection **14** on the impact member **10** impacts the end surface of the striking rod **41** when the main shaft **8** rotating, and then the striking rod **41** presses the spring **42** and strikes the nail under the function of the impact force, so that an impact action is achieved.

The main shaft **8** is driven by a gear **23** which is driven indirectly by the motor shaft **21**. A bearing **25** is arranged on an end of the main shaft **8**. An opening **24** is formed on the gear housing **19**, through which the end of the main shaft **8** is exposed. A through-hole **20**, which illustrated in this embodiment as the form of L-shaped in section, is provided in the main shaft **8**. The through-hole **20** includes a first opening **20a** and a second opening **20b**. The first opening **20a** is disposed on the surface of the main shaft **8** and is communicated with the interior of the gear housing **19**, while the second opening **20b** is disposed on the end of the main shaft **8** and is communicated with the outside of the gear housing **19**.

During the operation of the nailer device, the transmission mechanism is driven by the motor **2** to operate at high speed and bring the impact member **10** to create the impact action. As a result, high temperature is formed upon impacting and makes the inner grease boiled away partially. Meanwhile, with the temperature increasing, the pressure of the interior of the gear housing **19** is increased. The high-pressure air in the gear housing **19** is then discharged from the through-hole **20** in the direction shown by the arrow in FIG. **26**, the inner pressure is thereby decreased effectively and the possibility of grease leakage is reduced.

In the case that the grease boiled at the high temperature enters into the first opening **20a** of the through-hole **20**, the grease may be attached onto the wall of the first opening **20a** when it encounters the cooling air and is thereby condensed. However, the grease attached thereon can be thrown off from the first opening **20a** by means of the centrifugal force gen-

11

erated by the main shaft **8** rotating at high speed, so that the through-hole **20** is prevented from blocking and the function of releasing pressure is thereby maintained.

It should be understood to those skilled in the art that the through-hole **20** may also be in the form of arcuate in section, or any other shapes which may communicate the interior and the outside of the gear housing **19**. It is also preferable to arrange a plurality of the openings on the surface of the main shaft **8** for better decreasing the air pressure. The electrical device described in this invention is not limited to the embodiments described above and the configurations shown in the drawings. There are many variations, substitutes and modifications in the shapes and locations of the components based on the present invention, and such variations, substitutes and modifications will all fall in the scope sought for protection in the present invention.

With reference to FIGS. **27-29**, the nozzle portion **4** comprises a sleeve **43**, a magnet **45** for attracting a nail, and a fixing member **44** which can fix and locate the magnet **45** on the nozzle portion **4**. The sleeve **43** comprises a first end **431** that is connected to the head portion **2** and a second end **432** that is connected with the fixing member **44**. The inner surface of the fixing member **44** is provided with a groove **441** within which the magnet **45** is arranged. Preferably, the groove **441** may be shaped to be mated with the magnet **45** so that the groove **441** can be engaged with the magnet **45** arranged therein more closely. The fixing member **44** is mounted around the outer surface of the second end **432** of the sleeve **43**, so that the magnet **45** is fixed within the nozzle portion **4** of the nailer device between the sleeve **43** and the fixing member **44**.

A nail containing opening **46** is formed by the inner hole of the sleeve **43**. The nail can be attracted in the nail containing opening **46** by the magnet **45**. The nail containing opening **46** has an inner diameter that is greater than that of the nails generally used, such that the nails with varied shapes and sizes can be placed therein.

In the present invention, the fixing member **44** is made of flexible material so that the surface onto which the nail is nailed will be effectively prevented from damaging. It is also feasible that only an end surface **442** of the fixing member **44** for contacting with the surface of the object is made of flexible material, or that a protection piece made of flexible material is attached onto the end surface **442**. Such flexible material comprises plastic, rubber and the like.

FIG. **30** showing a nozzle portion **4'** of the nailer device according to another embodiment of the present invention. In this embodiment, the outside surface of the fixing member **44'** is provided with a groove **441'** in which the magnet **45'** can be accommodated. During assembly, the magnet **45'** is placed into the groove **441'**, and then the fixing member **44'** is mounted in the inner hole of the sleeve **43'**. Similarly, the end surface **442'** of the fixing member **44'**, which contacts with the surface of the object into which the nail is nailed, is also made of the flexible material, so as to protect the surface of the object.

In conclusion, the nailer device is not limited to the embodiments described above and the configurations shown in the drawings. Rather, from the description herein, those of skilled in the art will recognize that there are many variations, substitutes and modifications in the shapes and locations of the components that may be made, and such variations, substitutes and modifications all fall in the scope sought for protection in the present invention.

12

What is claimed is:

1. A nailer device, comprising:

a housing containing a motor and a transmission mechanism;

the housing having a nozzle portion with a striking rod for striking a nail being arranged therein, the striking rod being moved in a reciprocating manner;

a rotating shaft mounted in the housing, the rotating shaft being coupled to the output shaft of the motor through the transmission mechanism; and

an impact member surrounding the rotating shaft and being moved with the rotating shaft;

wherein corresponding slots are formed on the rotating shaft and the impact member respectively and mated with each other, with engagement members being contained in the corresponding slots.

2. The nailer device of claim 1, wherein at least one of the slots on the rotating shaft and the impact member comprises an actuator slot portion and a cushion slot portion.

3. The nailer device of claim 2, wherein the actuator slot portion has a first length direction and the cushion slot portion has a second length direction and the first length direction intersects with the second length direction.

4. The nailer device of claim 3, wherein the actuator slot portion and the cushion slot portion are joined through smooth curves, and the first length is shorter than the second length direction.

5. The nailer device of claim 1, wherein an energy storing spring is arranged between one end of the rotating shaft and the impact member, the impact member is movable relative to the rotating shaft between a first axial position where the impact member is contactable with the striking rod at a predetermined position on a rotating circle and the energy storing spring is in a released state, and a second axial position where the impact member disengages with the striking rod and the energy storing spring is in a compressed state.

6. The nailer device of claim 1, wherein the engagement members are steel balls.

7. The nailer device of claim 1, wherein at least one projection is provided on the periphery of the impact member at a first axial position, the projection being rotated with the impact member to the predetermined position and contacting with the striking rod in a tangent direction.

8. The nailer device of claim 1, wherein a battery pack is mounted at the lower end of the housing, a switch is arranged outward of the housing, and the battery in the battery pack is electrically connected to the motor through the switch.

9. The nailer device of claim 1, wherein a nail containing sleeve is formed on the nozzle portion at the upper end of the housing, the nail containing sleeve comprises a sleeve, a fixing member and a magnetic member located between the sleeve and the fixing member, the fixing member is mounted on the sleeve, and the fixing member is provided with a groove, in which the magnetic member is arranged.

10. The nailer device of claim 9, wherein the fixing member has an end flexible surface which contacts with a surface of an object into which the nail is nailed.

11. The nailer device of claim 1, wherein the striking rod is mounted within the nozzle portion at the upper end of the housing through a restoring spring.

12. The nailer device of claim 11, wherein the striking rod is movable back and forth under the function of the transmission mechanism, wherein the striking rod comprises a peripheral outer surface and a longitudinal axis, the striking rod and the gear box are connected through a sliding connection

13

structure which allows the striking rod moving along the longitudinal axis and prevents the striking rod from rotating around the longitudinal axis.

13. The nailer device of claim **1**, wherein the transmission mechanism includes a through-hole arranged on a main shaft 5 thereof, and the through-hole is communicated with the interior and the outside of the gear housing.

14. The nailer device of claim **1**, wherein the through-hole is L-shaped.

* * * * *

10

14