



US00RE44585E

(19) **United States**  
(12) **Reissued Patent**  
**Rohrer**

(10) **Patent Number:** **US RE44,585 E**  
(45) **Date of Reissued Patent:** **Nov. 12, 2013**

(54) **SALAD CUTTER**  
(75) Inventor: **Jeffrey S. Rohrer**, Kewaskum, WI (US)  
(73) Assignee: **Regal Ware, Inc.**, Kewaskum, WI (US)  
(21) Appl. No.: **29/315,487**  
(22) Filed: **Jun. 4, 2009**

1,738,896 A 12/1929 Hansen  
1,780,173 A 11/1930 Crowe  
1,840,400 A 1/1932 Leberherz  
1,928,718 A 10/1933 Covey

(Continued)

FOREIGN PATENT DOCUMENTS

CA 1270657 6/1990  
CA 2131876 9/2002

(Continued)

**Related U.S. Patent Documents**

Reissue of:

(64) Patent No.: **Des. 543,774**  
Issued: **Jun. 5, 2007**  
Appl. No.: **29/221,490**  
Filed: **Jan. 14, 2005**

(51) **LOC (9) Cl.** ..... **31-00**  
(52) **U.S. Cl.**  
USPC ..... **D7/381**

(58) **Field of Classification Search**  
USPC ..... D7/368, 372-373, 376-386, 399,  
D7/412-414, 665; 99/377, 509-511, 645;  
241/30-37.5, 82, 82.1, 82.6, 92, 93,  
241/101.01-2, 166, 169.1, 273.2, 273.3,  
241/274-278.2, 285.1-285.3, 291, 292.1;  
366/24-254, 279-292, 341-343,  
366/325.941

See application file for complete search history.

(56) **References Cited**

U.S. PATENT DOCUMENTS

344,046 A 6/1886 Holmes  
399,587 A 3/1889 Warren  
419,103 A 1/1890 Baltzley  
859,368 A 7/1907 Collins  
913,187 A 2/1909 Arnstein  
1,032,258 A 7/1912 Wefing  
1,114,411 A 10/1914 Stuver  
1,133,443 A 3/1915 Martin  
D56,561 S 11/1920 Larsen  
1,373,843 A 4/1921 Sundberg  
1,669,092 A 5/1928 Kools

OTHER PUBLICATIONS

Complaint filed in *HyCite v. Regal Ware, Inc.*, Case No. 10-CV-168, dated Mar. 29, 2010, 31 pages.

(Continued)

*Primary Examiner* — Phillip S Hyder

(74) *Attorney, Agent, or Firm* — Ryan Kromholz & Manion, S.C.

(57) **CLAIM**

The ornamental design for a salad cutter, as shown and described.

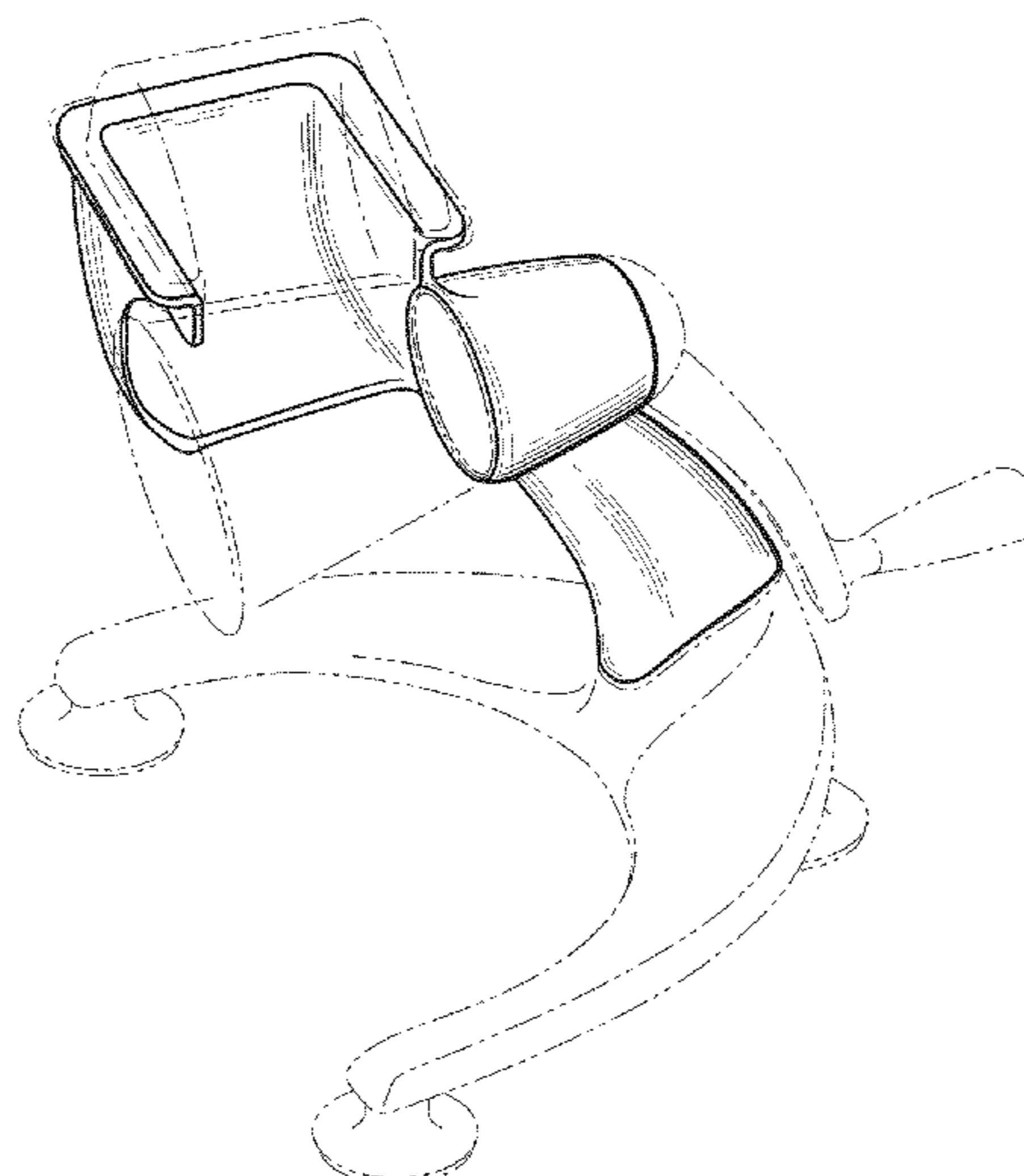
**DESCRIPTION**

FIG. 1 is a right, front perspective view of the salad cutter of the present invention;  
FIG. 2 is a right side view thereof;  
FIG. 3 is a left side view thereof;  
FIG. 4 is a rear side view thereof;  
FIG. 5 is a front side view thereof;  
FIG. 6 is a top view thereof; and,  
FIG. 7 is a bottom view thereof.

The broken lines shown in the drawings are for illustrative purposes only and form no part of the claimed design.

**1 Claim, 3 Drawing Sheets**

**Matter enclosed in heavy brackets [ ] appears in the original patent but forms no part of this reissue; matter printed in italics indicates the additions made by reissue.**



(56)

## References Cited

## U.S. PATENT DOCUMENTS

1,942,766 A 2/1934 O'Banion  
 2,145,421 A 1/1939 Jungbecker  
 2,228,175 A 1/1941 Miller  
 D156,557 S 12/1949 Piker  
 2,596,604 A 5/1952 Schaeffer  
 D173,029 S 9/1954 Green et al.  
 2,695,643 A 11/1954 Aberer  
 2,713,367 A 7/1955 Aberer  
 D187,452 S 3/1960 Mango  
 2,945,298 A 7/1960 Guttmann  
 2,958,355 A 11/1960 Young  
 3,115,171 A 12/1963 Loveland  
 3,138,823 A 6/1964 Langner  
 D201,602 S 7/1965 Graham  
 D206,927 S 2/1967 Pompeil  
 3,353,266 A 11/1967 Goolsby  
 D215,390 S 9/1969 McGee  
 D217,691 S 5/1970 Earp  
 D219,358 S 12/1970 Popeli  
 3,610,304 A 10/1971 Popeil et al.  
 3,664,021 A 5/1972 Sawyer  
 3,710,445 A 1/1973 Roth  
 3,711,945 A 1/1973 Cronheim  
 3,713,378 A 1/1973 West et al.  
 3,772,737 A 11/1973 Fleiss  
 D233,123 S 10/1974 Rigamonti  
 3,912,176 A 10/1975 Mantelet  
 3,996,846 A 12/1976 Hupf  
 4,081,145 A 3/1978 Moe et al.  
 4,100,677 A 7/1978 Jeff  
 4,134,358 A 1/1979 Heermans  
 D253,155 S 10/1979 Jurida  
 4,199,841 A 4/1980 Jaccard  
 4,254,700 A 3/1981 Fleming  
 4,258,657 A 3/1981 Fritz  
 D260,129 S 8/1981 Shun  
 D260,351 S 8/1981 Shun  
 D261,472 S 10/1981 Graham et al.  
 4,295,272 A 10/1981 Kubota  
 4,418,637 A 12/1983 Heermans  
 4,437,237 A 3/1984 Ducret  
 4,463,476 A 8/1984 Jaccard  
 D276,202 S 11/1984 Shun  
 4,534,858 A 8/1985 Aldrich et al.  
 4,606,823 A 8/1986 Lucas, III  
 4,667,085 A 5/1987 Remmel et al.  
 4,669,275 A 6/1987 Ohgushi et al.  
 4,674,154 A 6/1987 Gilbert et al.  
 4,681,000 A 7/1987 Wolters  
 RE32,501 E 9/1987 Okada  
 D297,390 S 8/1988 Fehrmann  
 4,776,092 A 10/1988 Moores et al.  
 4,776,296 A 10/1988 Heermans  
 4,848,001 A 7/1989 Clark et al.  
 4,862,552 A 9/1989 Remmel  
 4,972,769 A 11/1990 Cailliot  
 5,023,927 A 6/1991 Bardell  
 5,144,749 A 9/1992 Chen  
 D344,213 S 2/1994 Johns  
 5,355,588 A 10/1994 Brandenburg, Jr. et al.

5,400,512 A 3/1995 Brush  
 5,463,942 A 11/1995 Hupf et al.  
 D365,971 S 1/1996 Brockmann  
 5,493,781 A 2/1996 Saito  
 D369,718 S 5/1996 Rohrer  
 5,531,095 A 7/1996 Hupf  
 D372,634 S 8/1996 Rohrer  
 D376,726 S 12/1996 Rohrer  
 D377,581 S 1/1997 Rohrer  
 D383,192 S 9/1997 Johnson  
 5,670,216 A 9/1997 Oak et al.  
 5,698,769 A 12/1997 Hupf  
 5,765,289 A 6/1998 Schulz et al.  
 5,765,431 A 6/1998 Hupf  
 5,787,779 A 8/1998 Garuglieri  
 D401,815 S 12/1998 Filipovic  
 D403,918 S 1/1999 Lin  
 D414,383 S 9/1999 Fitzgibbons et al.  
 6,004,000 A 12/1999 Hupf et al.  
 D424,889 S 5/2000 Yip  
 6,080,496 A 6/2000 Hupf et al.  
 6,094,824 A 8/2000 Takeshita  
 6,209,750 B1 4/2001 Remmel  
 6,260,733 B1 7/2001 Eimerman  
 6,282,794 B1 9/2001 Cho et al.  
 D475,253 S 6/2003 Yip  
 D484,738 S 1/2004 Wong  
 D496,824 S 10/2004 Meshes  
 D507,455 S 7/2005 Bertulis  
 D531,850 S 11/2006 Wong  
 D543,774 S 6/2007 Rohrer  
 7,337,997 B2 3/2008 Ko  
 D597,785 S 8/2009 Rohrer

## FOREIGN PATENT DOCUMENTS

CH	642245	4/1984
DE	611489	3/1935
DE	9003291	7/1990
IT	573580	2/1958
KR	105515	10/1996
WO	WO 97/24469	7/1997

## OTHER PUBLICATIONS

Motion to Dismiss Complaint and to Strike Portions of Plaintiff's Complaint filed in *HyCite v. Regal Ware, Inc.* Case No. 10-CV-168, dated Apr. 20, 2010, 50 pages.  
 USPTO Notice of Allowance dated Apr. 3, 2009 regarding U.S. Appl. No. 29/288,267, 6 pages.  
 USPTO Office Action dated Nov. 17, 2008 regarding U.S. Appl. No. 29/288,267, 9 pages. Amendment A dated Feb. 17, 2009 regarding same case, 3 pages.  
 Amendment A dated Feb. 17, 2009 regarding U.S. Appl. No. 29/288,267, 3 pages.  
 USPTO Notice of Allowance dated Dec. 23, 2009 regarding U.S. Appl. No. 29/314,290, 7 pages.  
 Transmittal of New Drawings dated Mar. 9, 2007 regarding U.S. Appl. No. 29/221,490, 4 pages.  
 USPTO Notice of Allowance dated Dec. 13, 2009 regarding U.S. Appl. No. 29/221,490, 7 pages.  
 Amendment After Allowance dated Jan. 15, 2007 regarding U.S. Appl. No. 29/221,490, 2 pages.

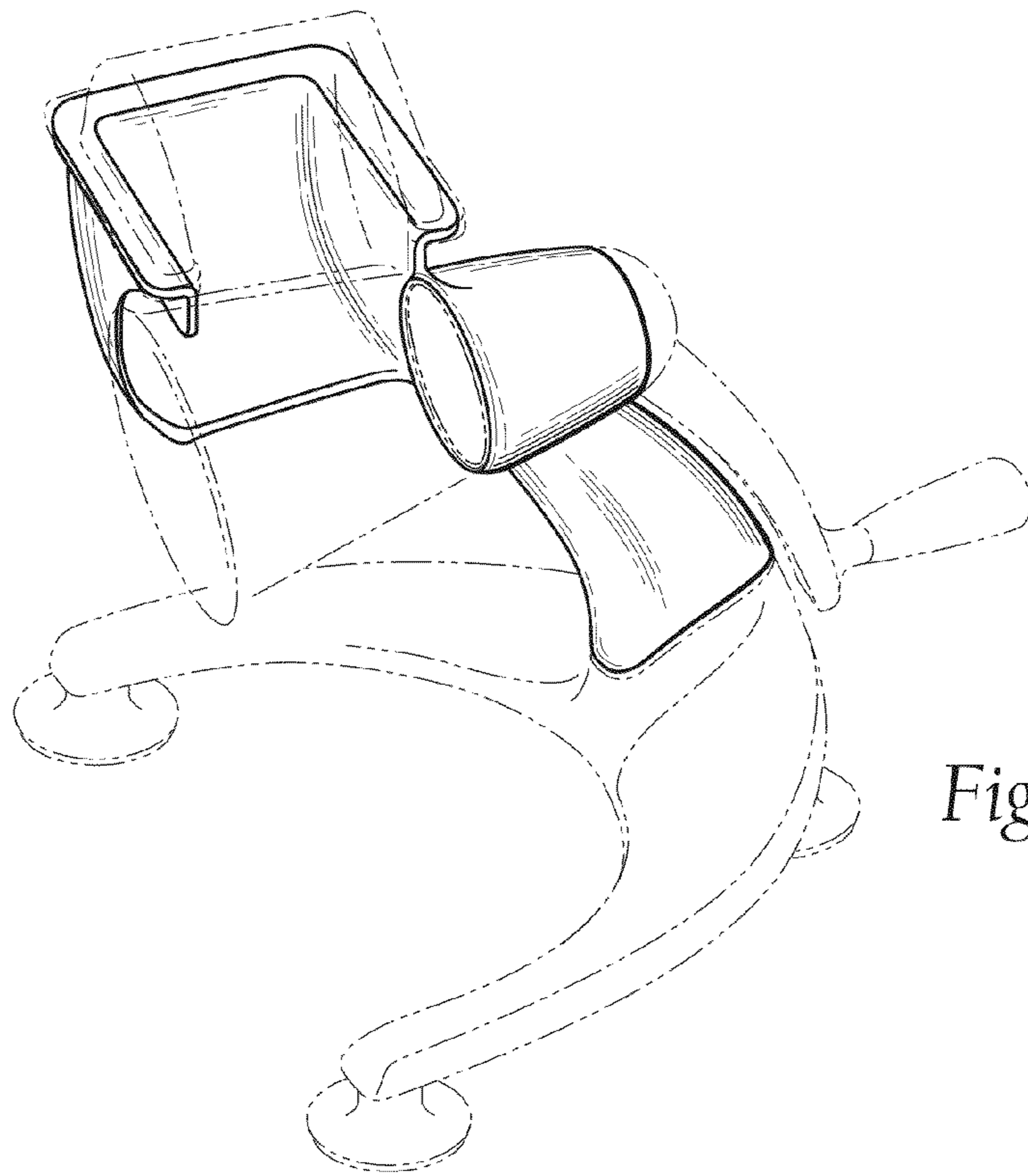


Fig. 1

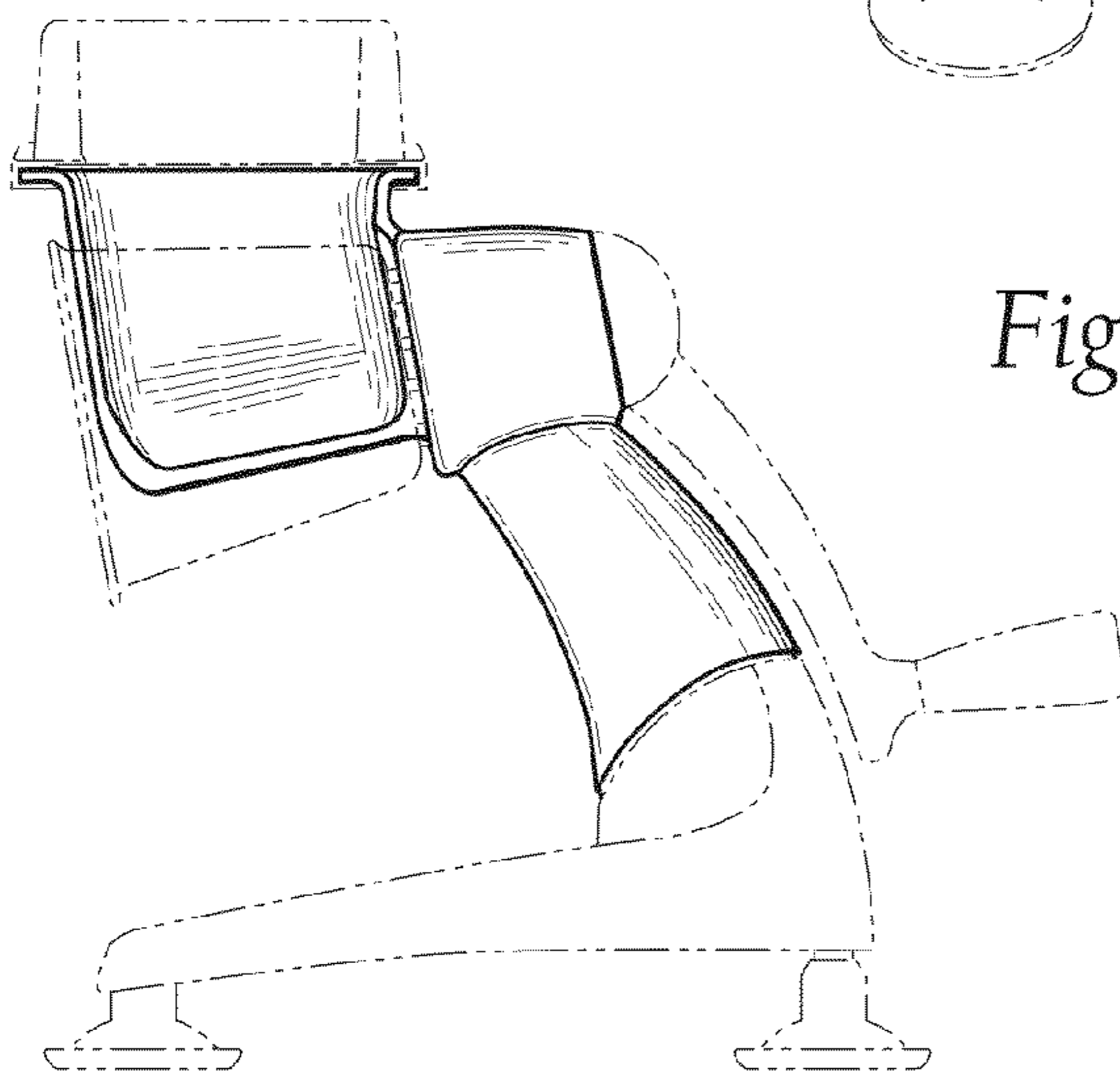


Fig. 2

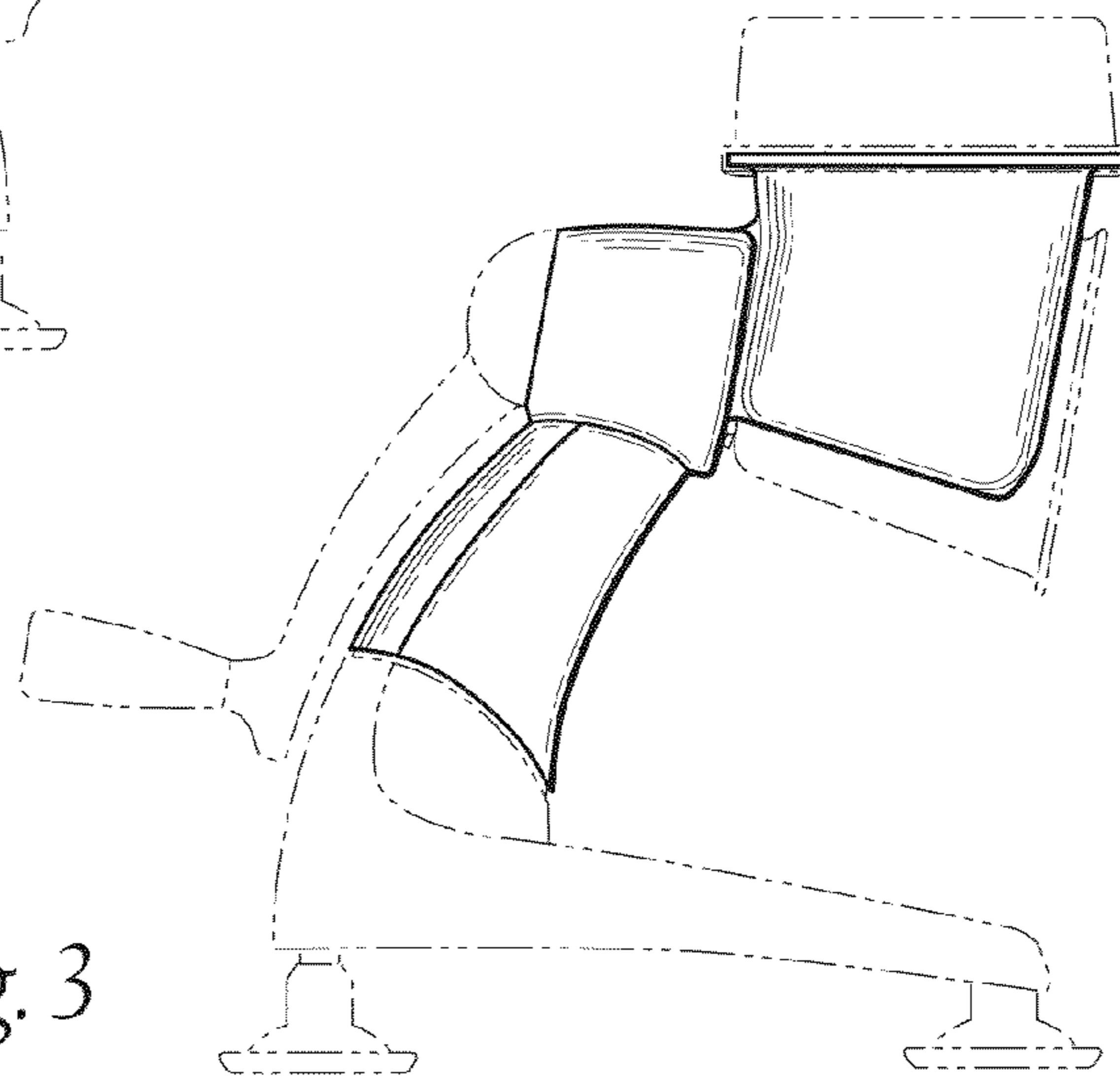
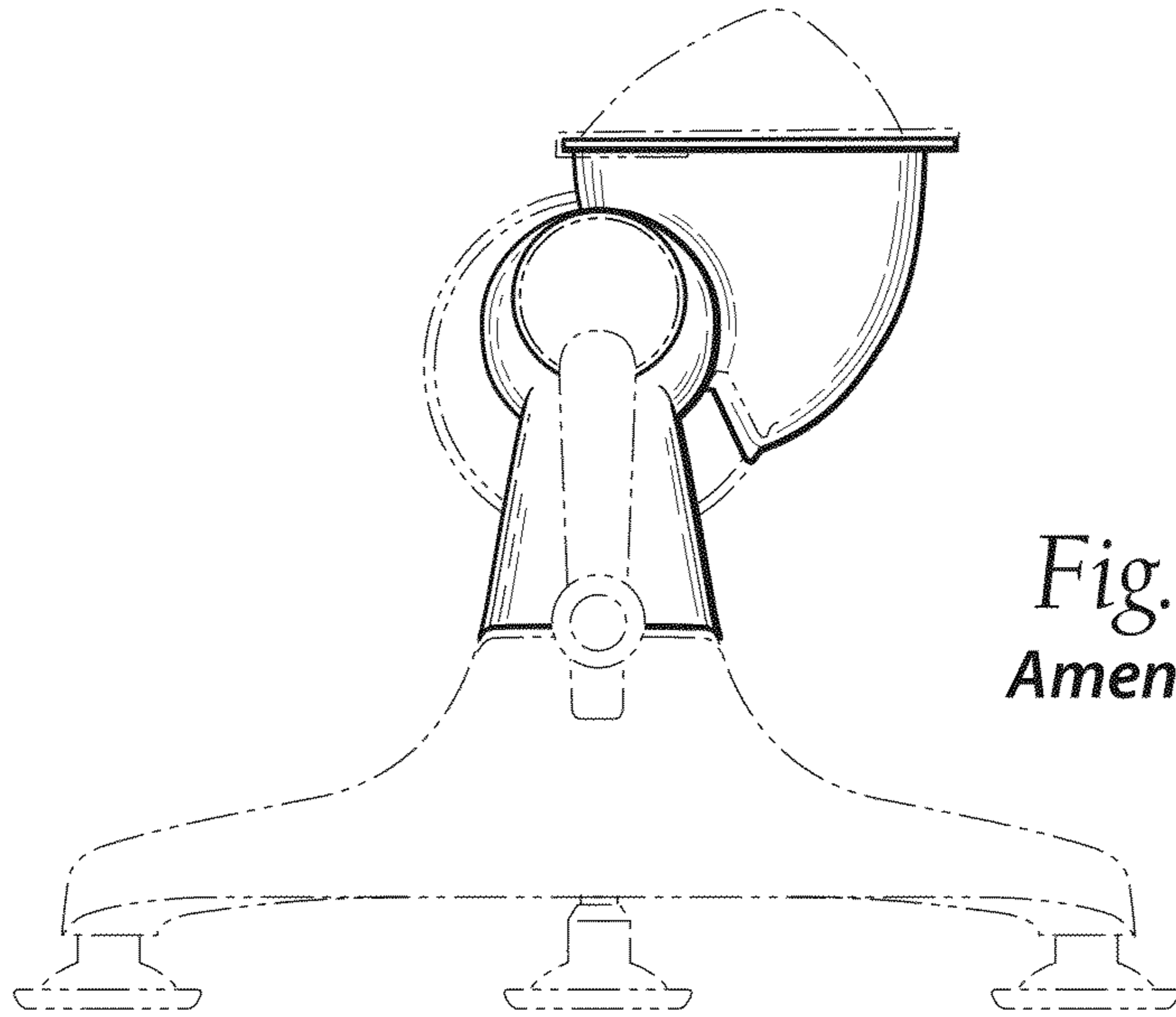
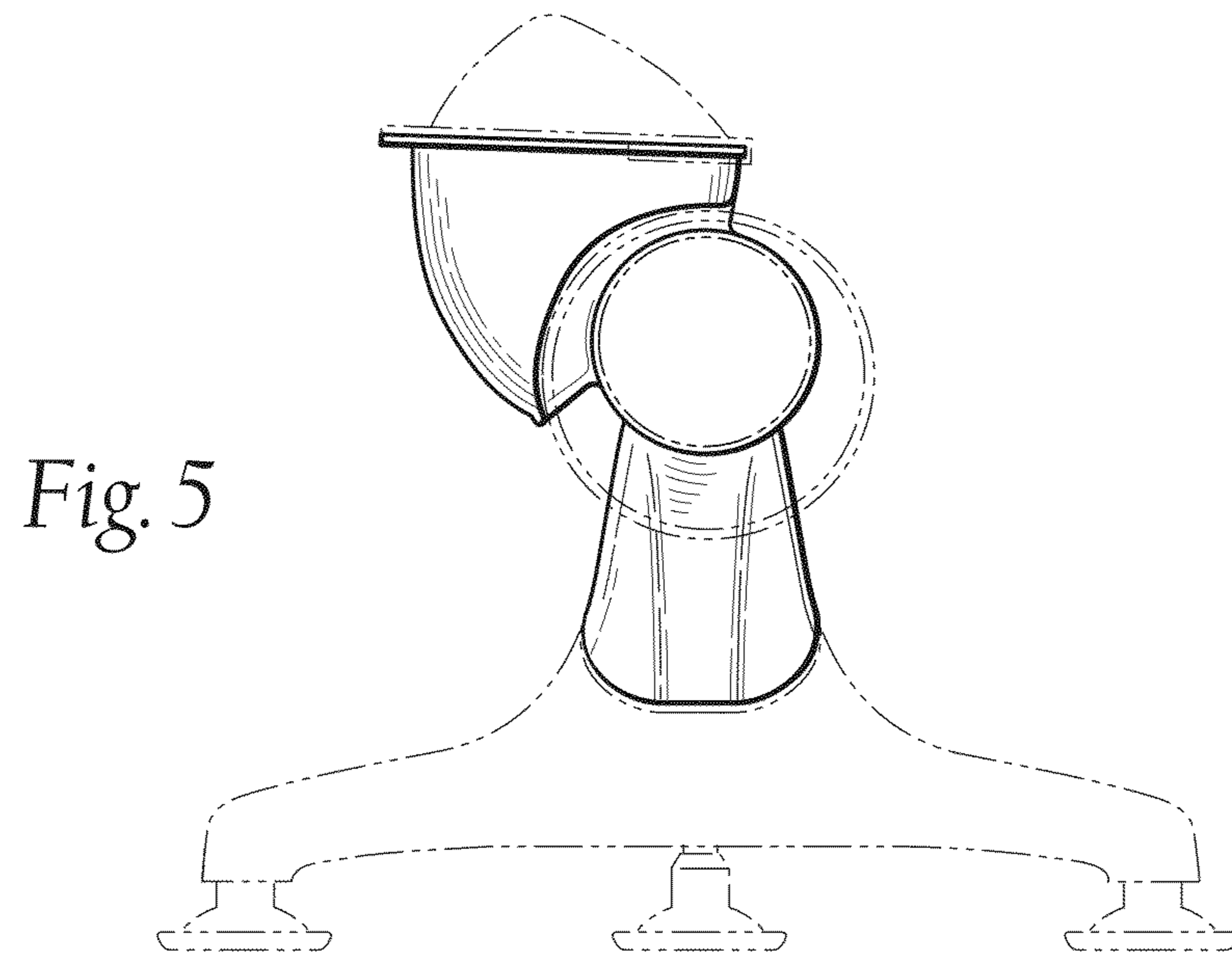


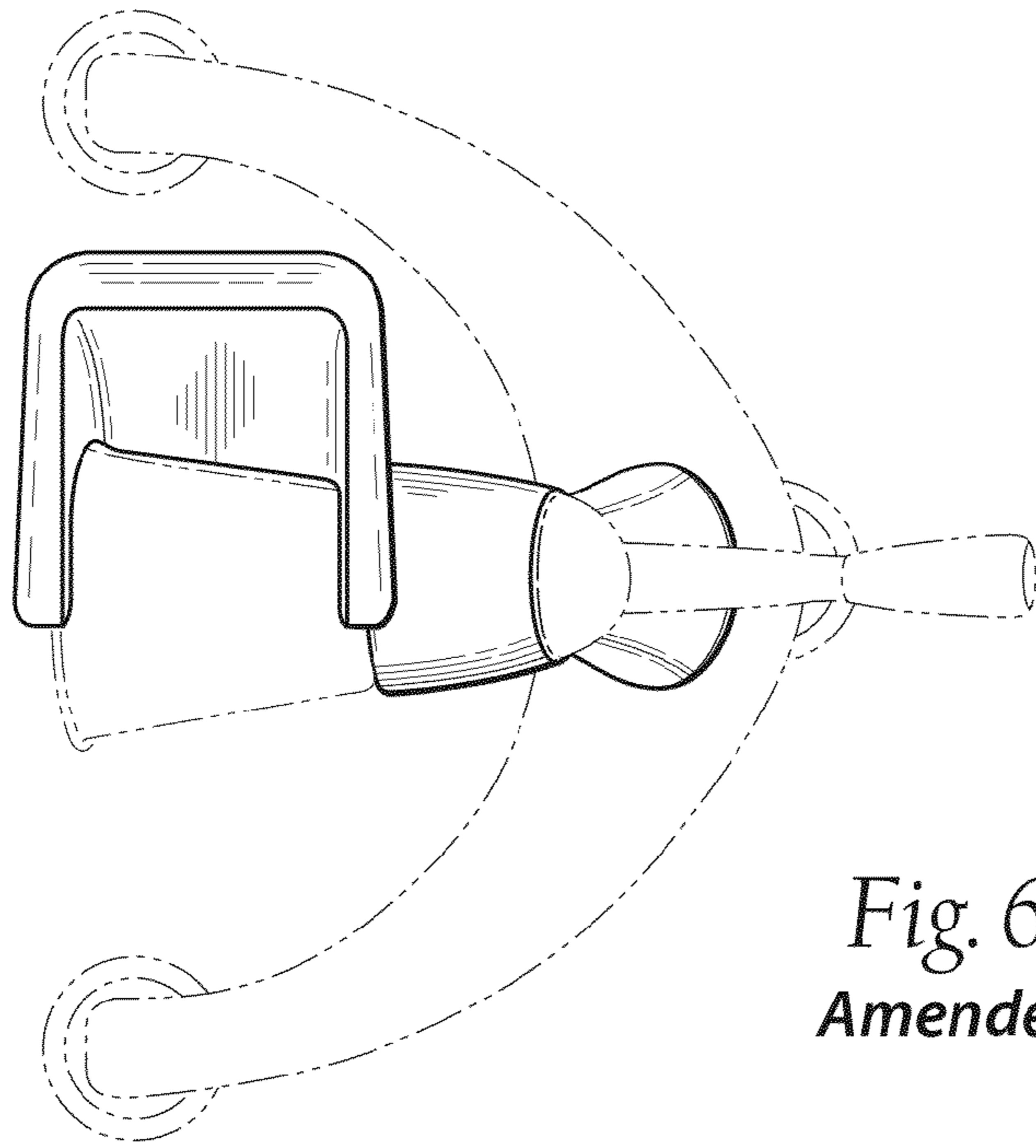
Fig. 3



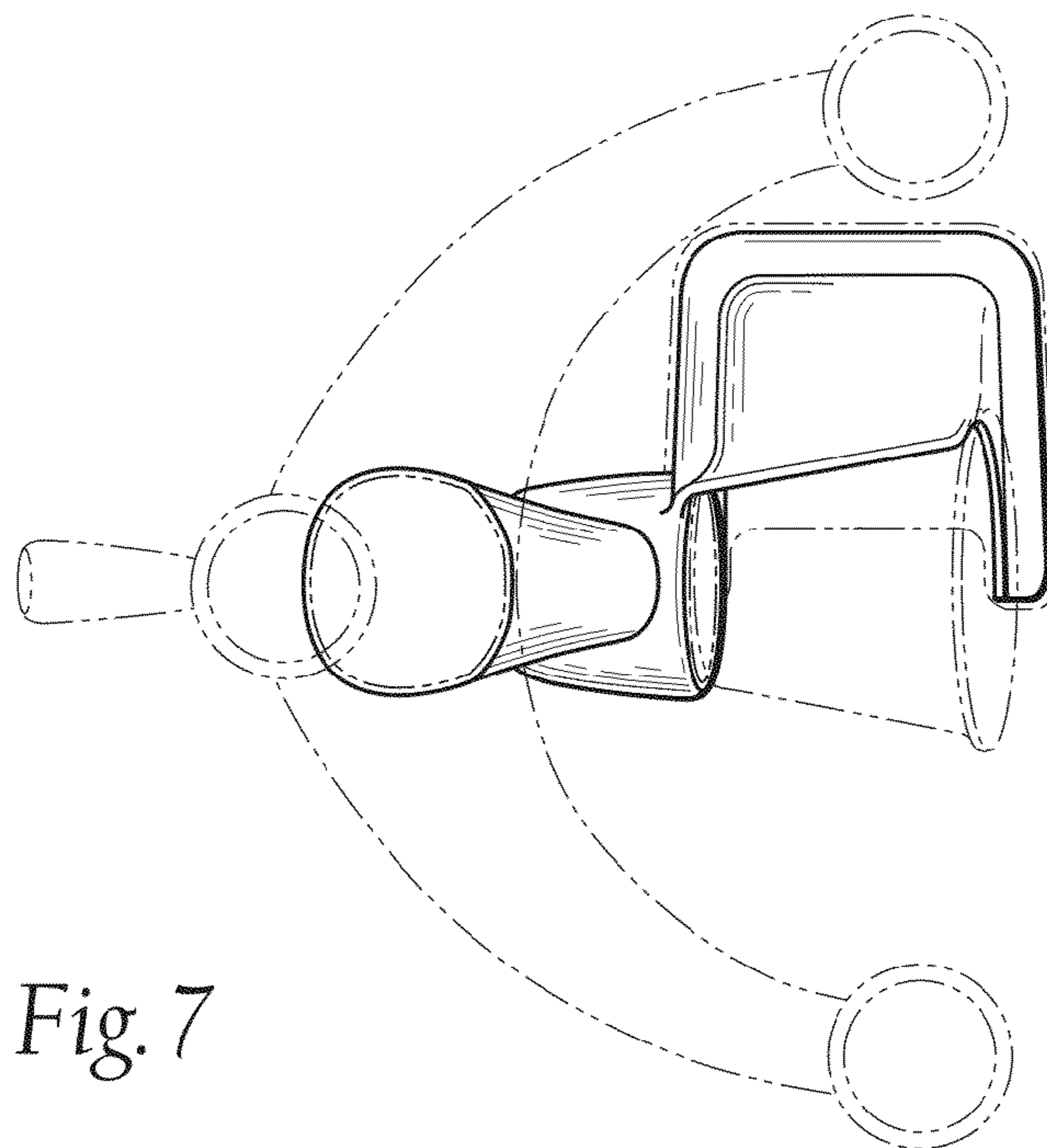
*Fig. 4*  
*Amended*



*Fig. 5*



*Fig. 6*  
*Amended*



*Fig. 7*