



US00RE44567E

(19) **United States**  
(12) **Reissued Patent**  
**Yoshino**

(10) **Patent Number:** **US RE44,567 E**  
(45) **Date of Reissued Patent:** **Nov. 5, 2013**

(54) **VACUUM TRANSFER ROBOT**

*Primary Examiner* — Phillip S Hyder

(75) Inventor: **Takahiro Yoshino**, Chigasaki (JP)

(74) *Attorney, Agent, or Firm* — Harness, Dickey & Pierce, PLC

(73) Assignee: **Ulvac, Inc.**, Chigasaki-shi, Kanagawa (JP)

(21) Appl. No.: **29/409,384**

(57) **CLAIM**

(22) Filed: **Dec. 22, 2011**

The ornamental design for a vacuum transfer robot, as shown and described.

**Related U.S. Patent Documents**

Reissue of:

(64) Patent No.: **Des. 625,748**  
Issued: **Oct. 19, 2010**  
Appl. No.: **29/361,136**  
Filed: **May 6, 2010**

**DESCRIPTION**

(30) **Foreign Application Priority Data**

Nov. 17, 2009 (JP) ..... 2009-026909

(51) **LOC (9) Cl.** ..... **15-09**

(52) **U.S. Cl.**  
USPC ..... **D15/199**; D13/182

(58) **Field of Classification Search**  
USPC ..... D13/182; D15/199; 74/479.01, 490.01, 74/490.05; 134/110; 198/346.2; 361/234; 396/611; 414/217, 331.15, 411, 414/416.03, 744.1, 744.2, 744.3, 744.5, 414/935, 937, 939, 941; 438/14  
See application file for complete search history.

FIG. 1 is a front, top and right side perspective view of a vacuum transfer robot showing our new design with all arms in a folded state;  
FIG. 2 is a front elevational view thereof shown in FIG. 1;  
FIG. 3 is a rear elevational view thereof shown in FIG. 1;  
FIG. 4 is a top plan view thereof shown in FIG. 1;  
FIG. 5 is a bottom plan view thereof shown in FIG. 1;  
FIG. 6 is a right side elevational view thereof shown in FIG. 1;  
FIG. 7 is a left side elevational view thereof shown in FIG. 1;  
FIG. 8 is a front, top and right side perspective view of the vacuum transfer robot with the upper arms in an extended state;  
FIG. 9 is a front elevational view thereof shown in FIG. 8;  
FIG. 10 is a rear elevational view thereof shown in FIG. 8;  
FIG. 11 is a top plan view thereof shown in FIG. 8;  
FIG. 12 is a bottom plan view thereof shown in FIG. 8;  
FIG. 13 is a right side elevational view thereof shown in FIG. 8; and,  
FIG. 14 is a left side elevational view thereof shown in FIG. 8.

(56) **References Cited**

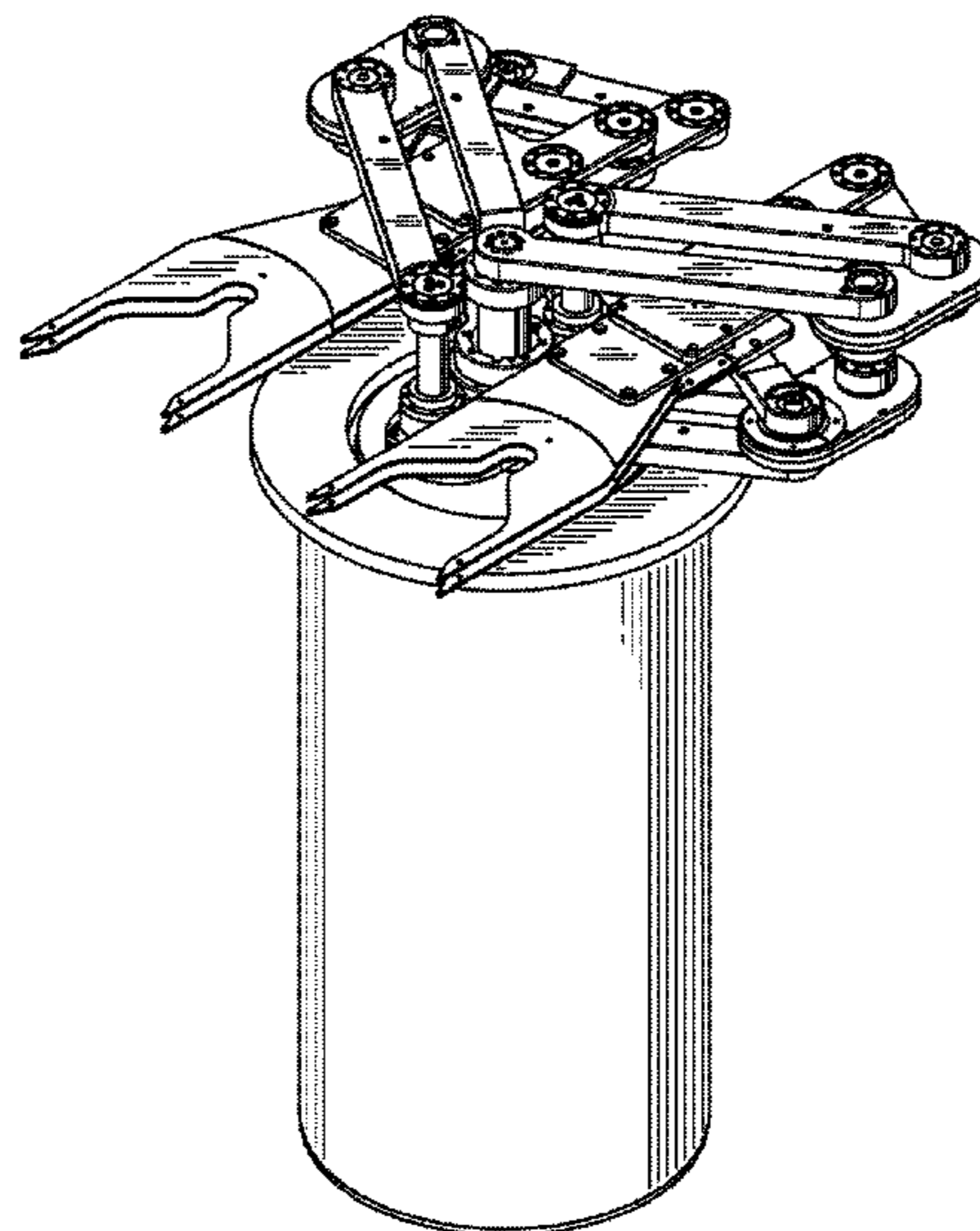
**U.S. PATENT DOCUMENTS**

D323,332 S \* 1/1992 Ishii et al. .... D15/199  
5,950,495 A \* 9/1999 Ogawa et al. .... 74/490.01  
6,102,649 A \* 8/2000 Ogawa et al. .... 414/744.5  
6,109,860 A \* 8/2000 Ogawa et al. .... 414/744.5  
6,155,131 A \* 12/2000 Suwa et al. .... 74/490.05

(Continued)

**1 Claim, 14 Drawing Sheets**

**Matter enclosed in heavy brackets [ ] appears in the original patent but forms no part of this reissue; matter printed in italics indicates the additions made by reissue.**



(56)

**References Cited**

U.S. PATENT DOCUMENTS

6,190,114	B1 *	2/2001	Ogawa et al.	414/744.5	2003/0014155	A1 *	1/2003	Pencis et al.	700/213
6,364,599	B1 *	4/2002	Suwa et al.	414/744.1	2005/0079043	A1 *	4/2005	Ogawa et al.	414/744.2
RE37,731	E *	6/2002	Ogawa et al.	74/490.01	2005/0118010	A1 *	6/2005	Ogawa et al.	414/744.1
7,056,080	B2 *	6/2006	Ogawa et al.	414/744.5	2005/0217053	A1 *	10/2005	Kim et al.	15/250.21
7,114,907	B2 *	10/2006	Ogawa et al.	414/744.5	2007/0004058	A1 *	1/2007	Lee et al.	438/14
D552,138	S *	10/2007	Kondo et al.	D15/199	2007/0183868	A1 *	8/2007	Son	414/217
7,306,423	B2 *	12/2007	Ogawa et al.	414/749.1	2008/0023293	A1 *	1/2008	Uratani et al.	198/346.2
D625,748	S *	10/2010	Yoshino	D15/199	2008/0118338	A1 *	5/2008	Huang et al.	414/744.3
2002/0114690	A1 *	8/2002	Ishigame	414/744.5	2009/0093906	A1 *	4/2009	Takizawa et al.	700/214
2003/0012631	A1 *	1/2003	Pencis et al.	414/744.5	2009/0142163	A1 *	6/2009	Genetti et al.	414/217
					2010/0101357	A1 *	4/2010	Aoki et al.	74/490.05
					2010/0161124	A1 *	6/2010	Kimura	700/251

\* cited by examiner

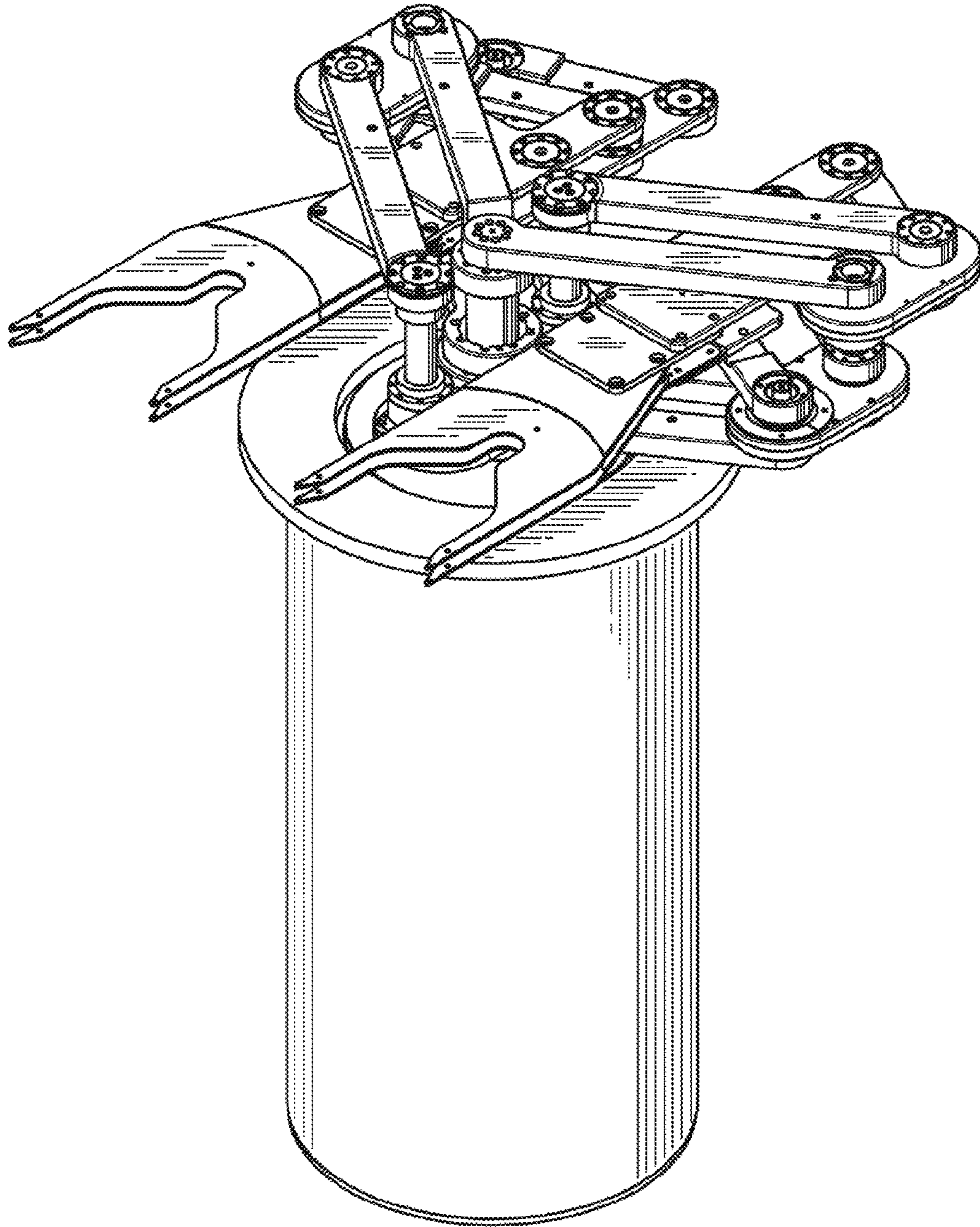


FIG. 1

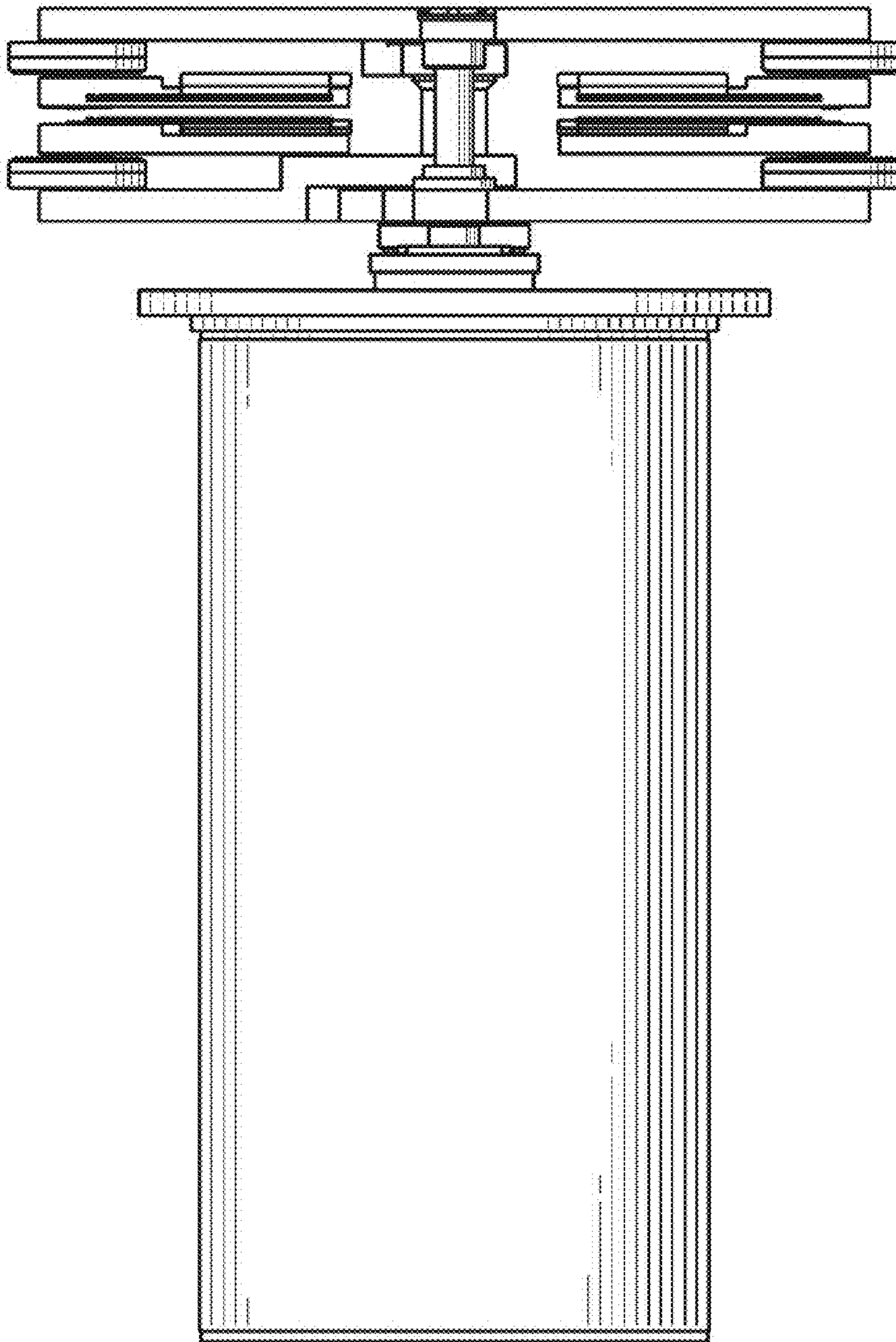


FIG. 2

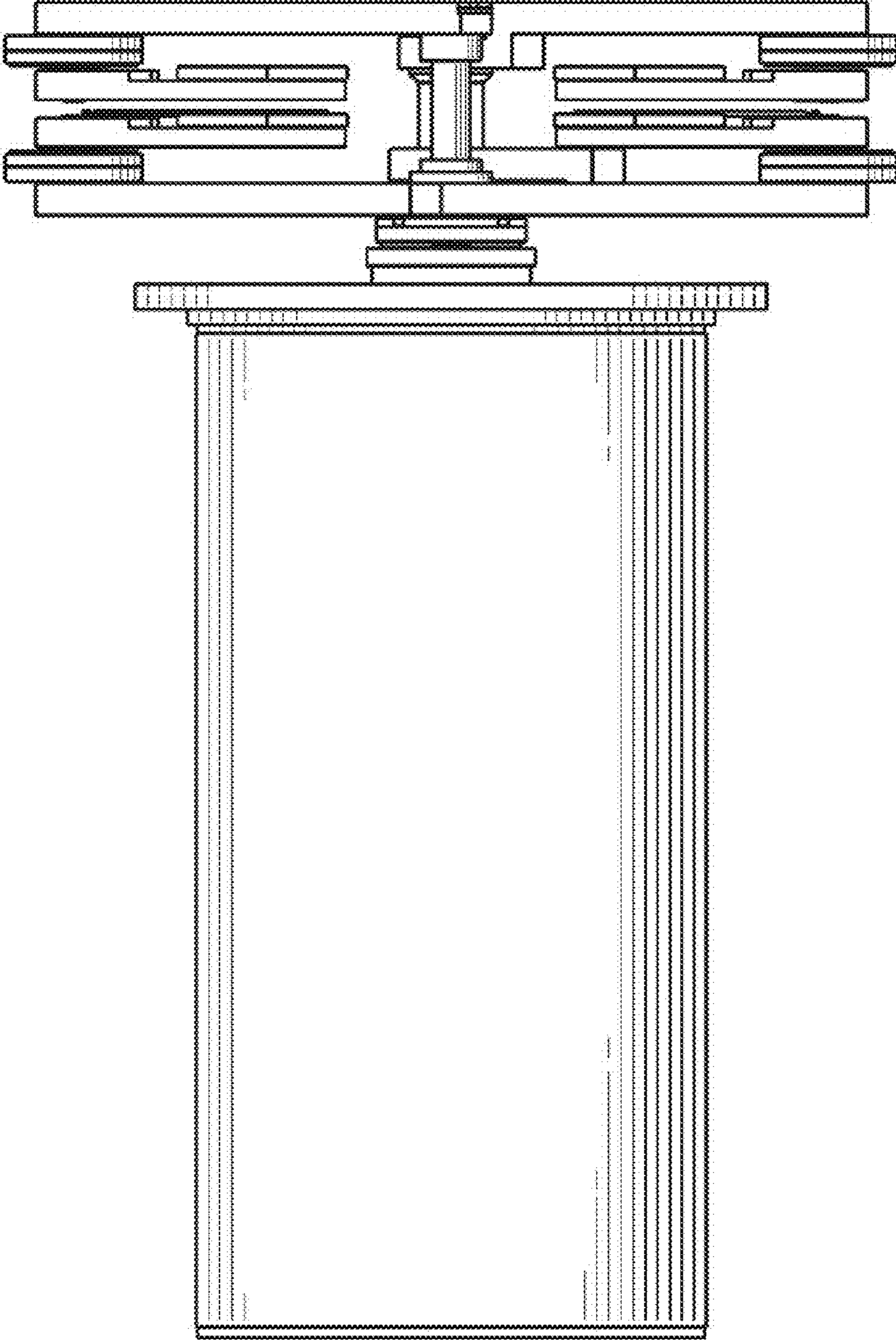


FIG. 3

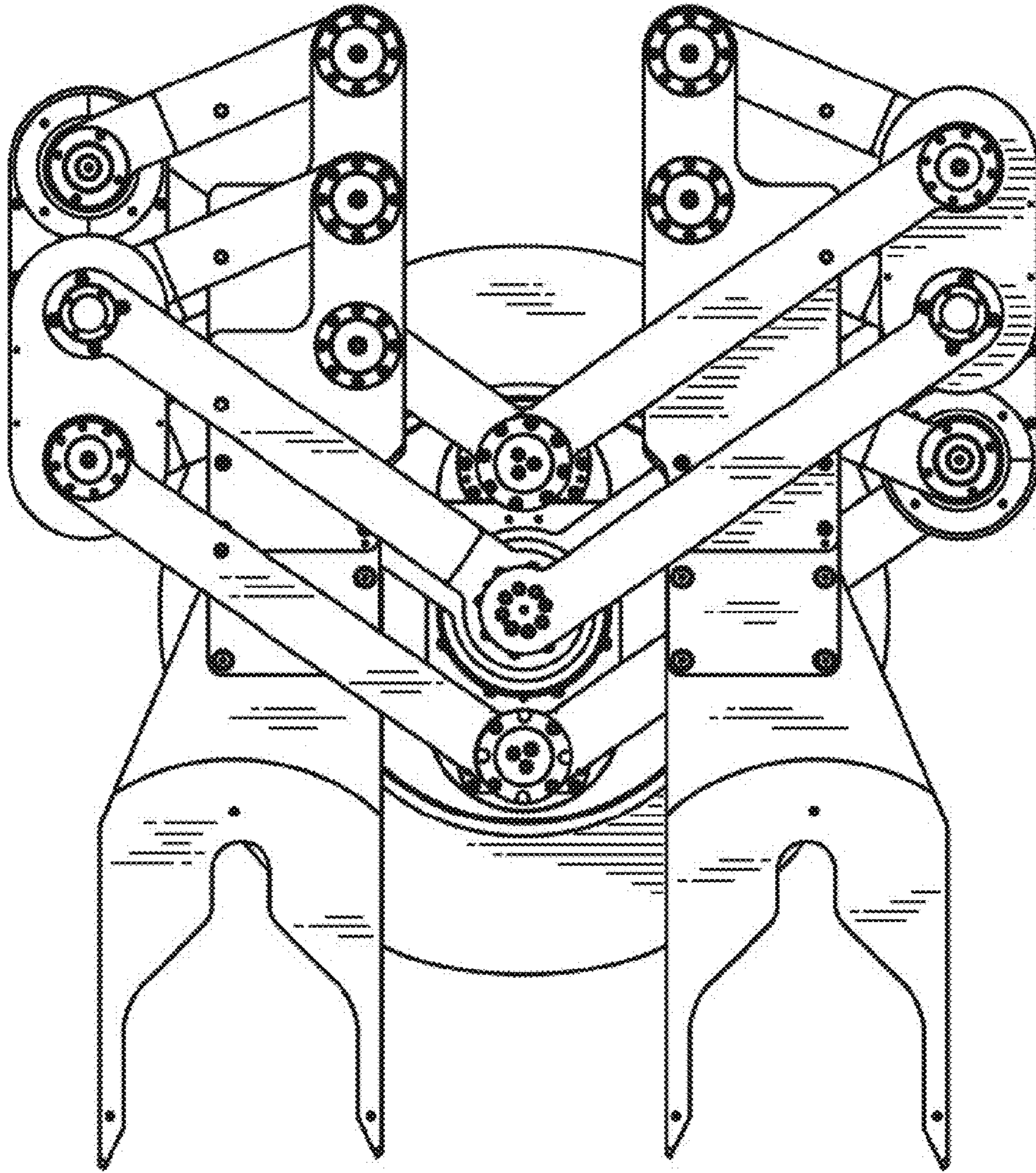


FIG. 4

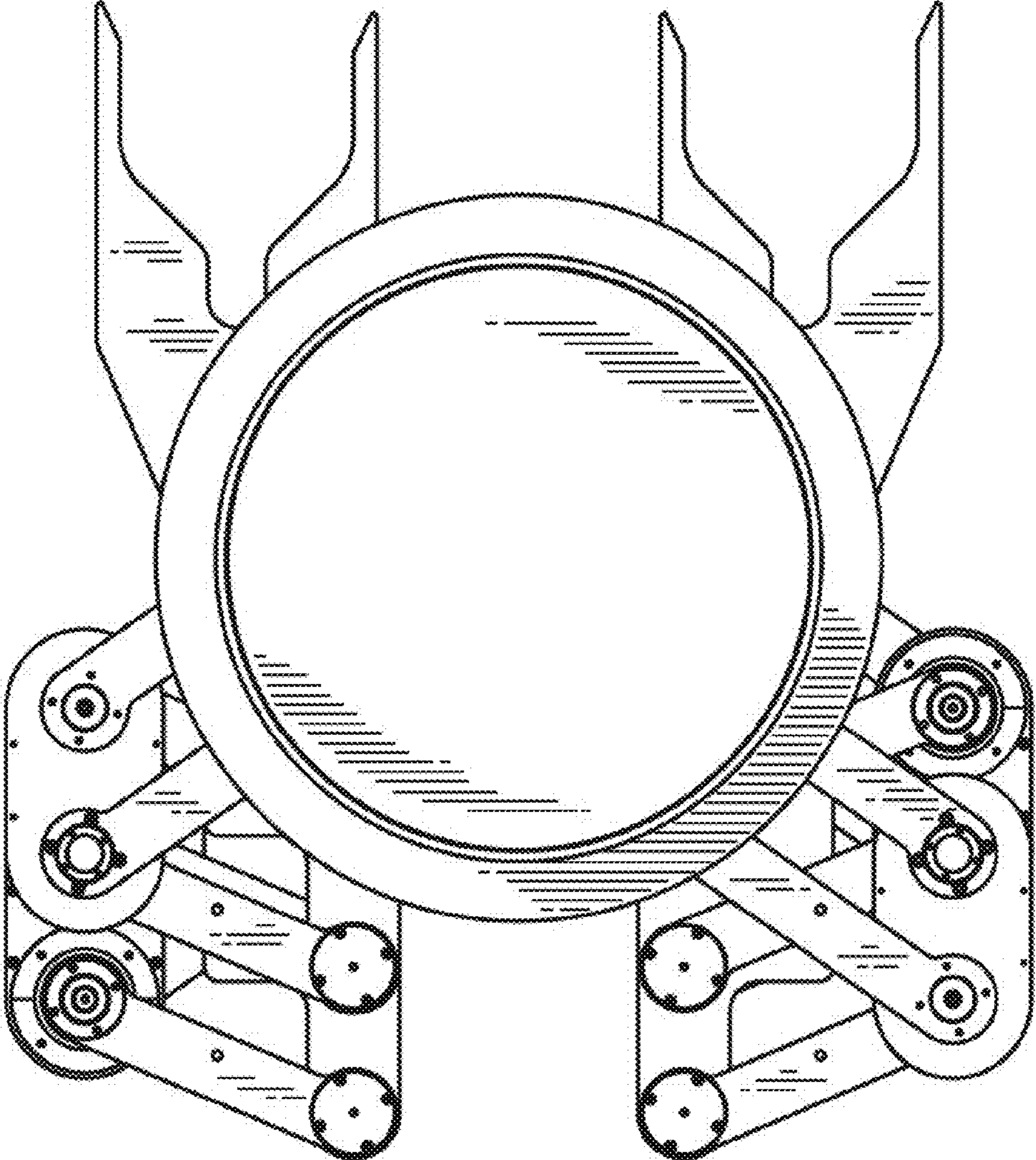


FIG. 5

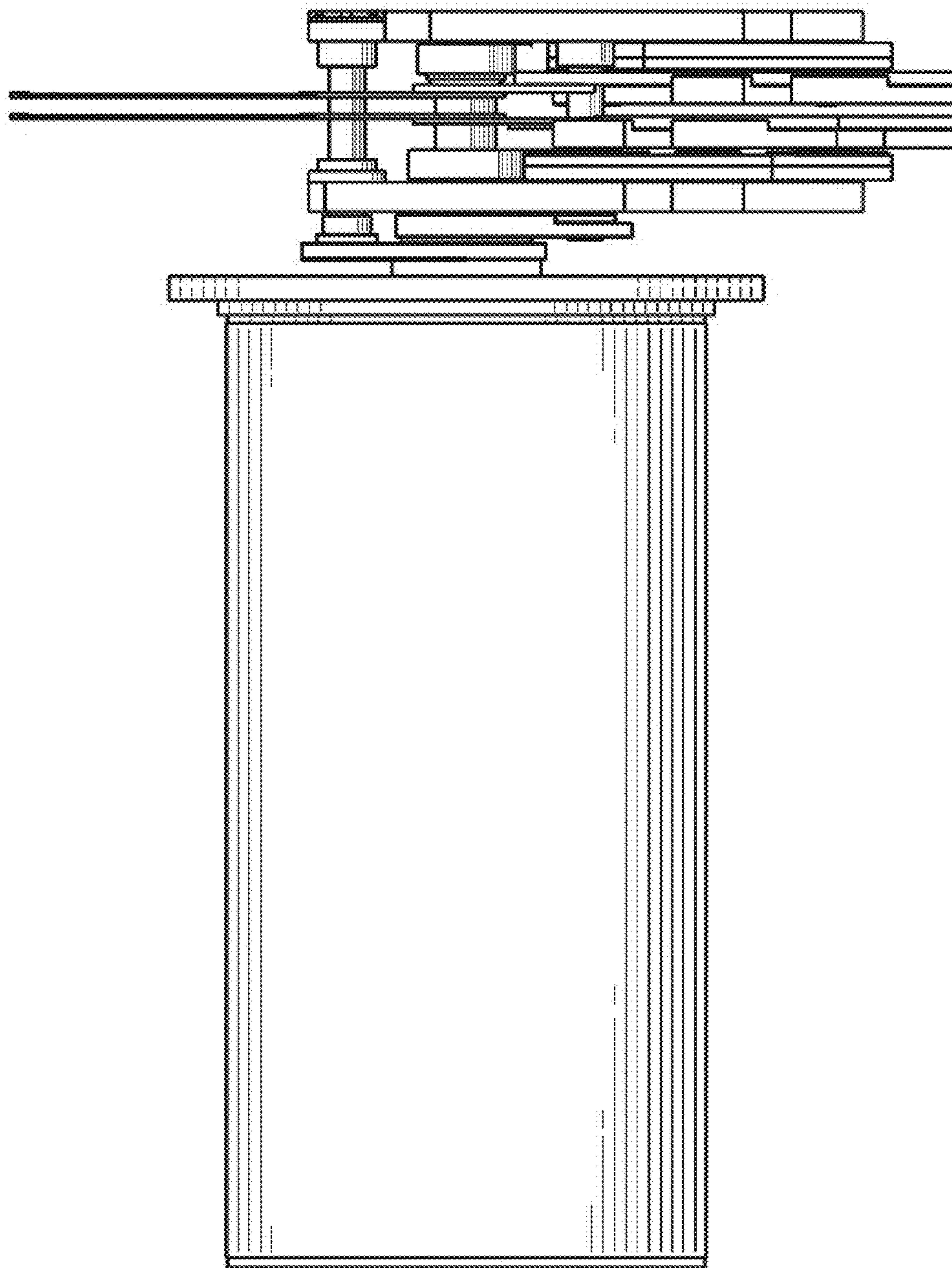


FIG. 6



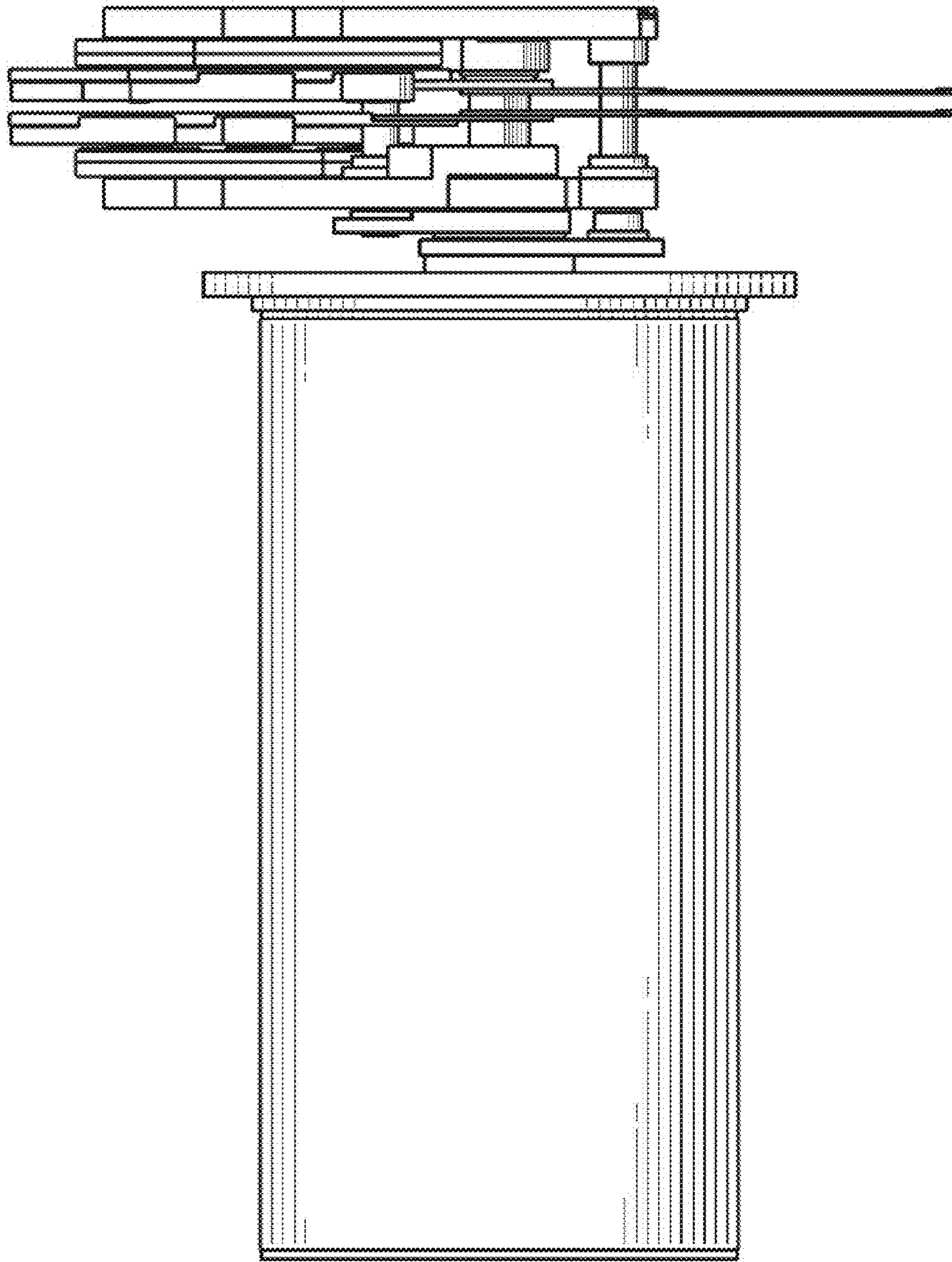


FIG. 7

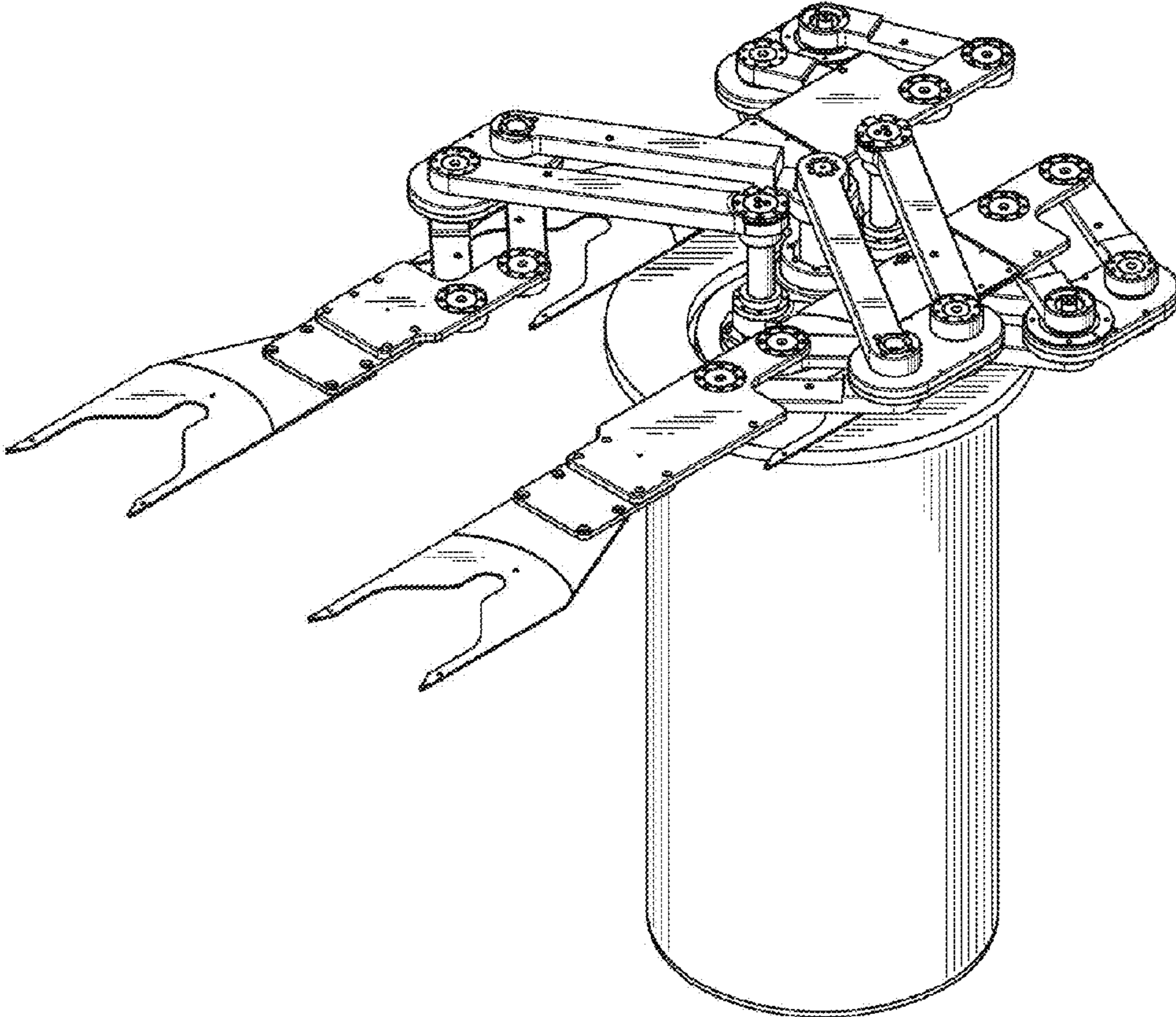


FIG. 8

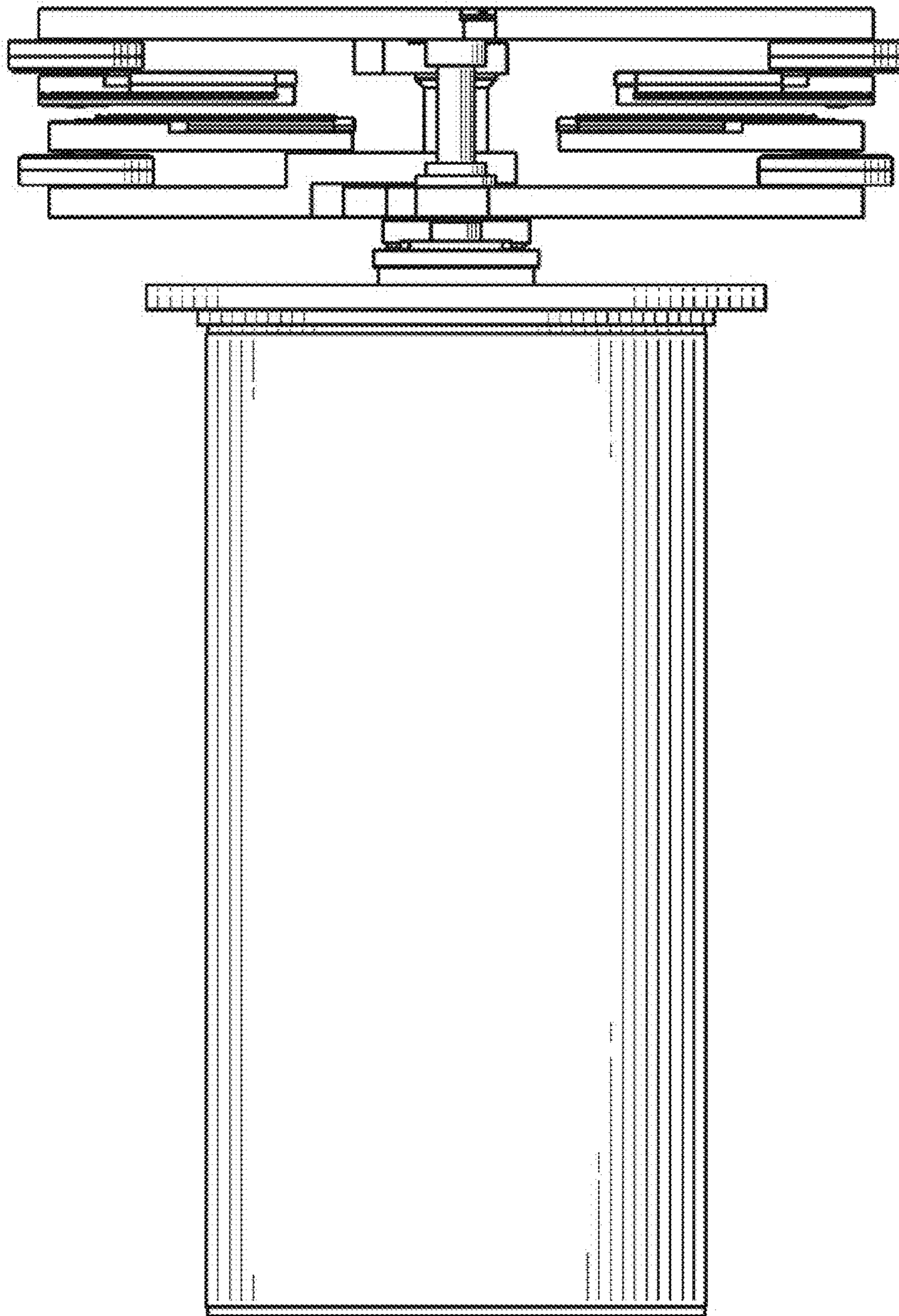


FIG. 9

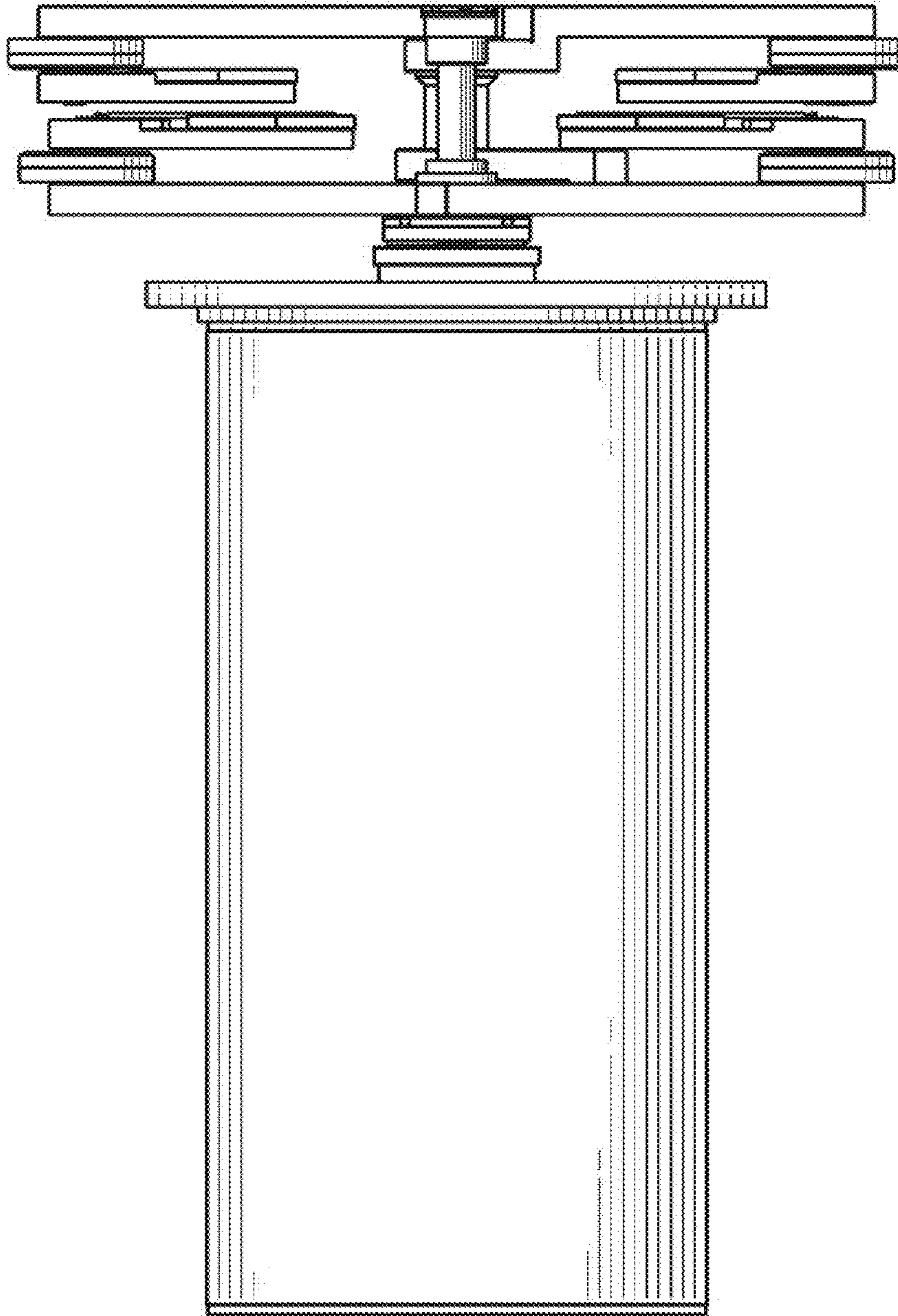


FIG. 10

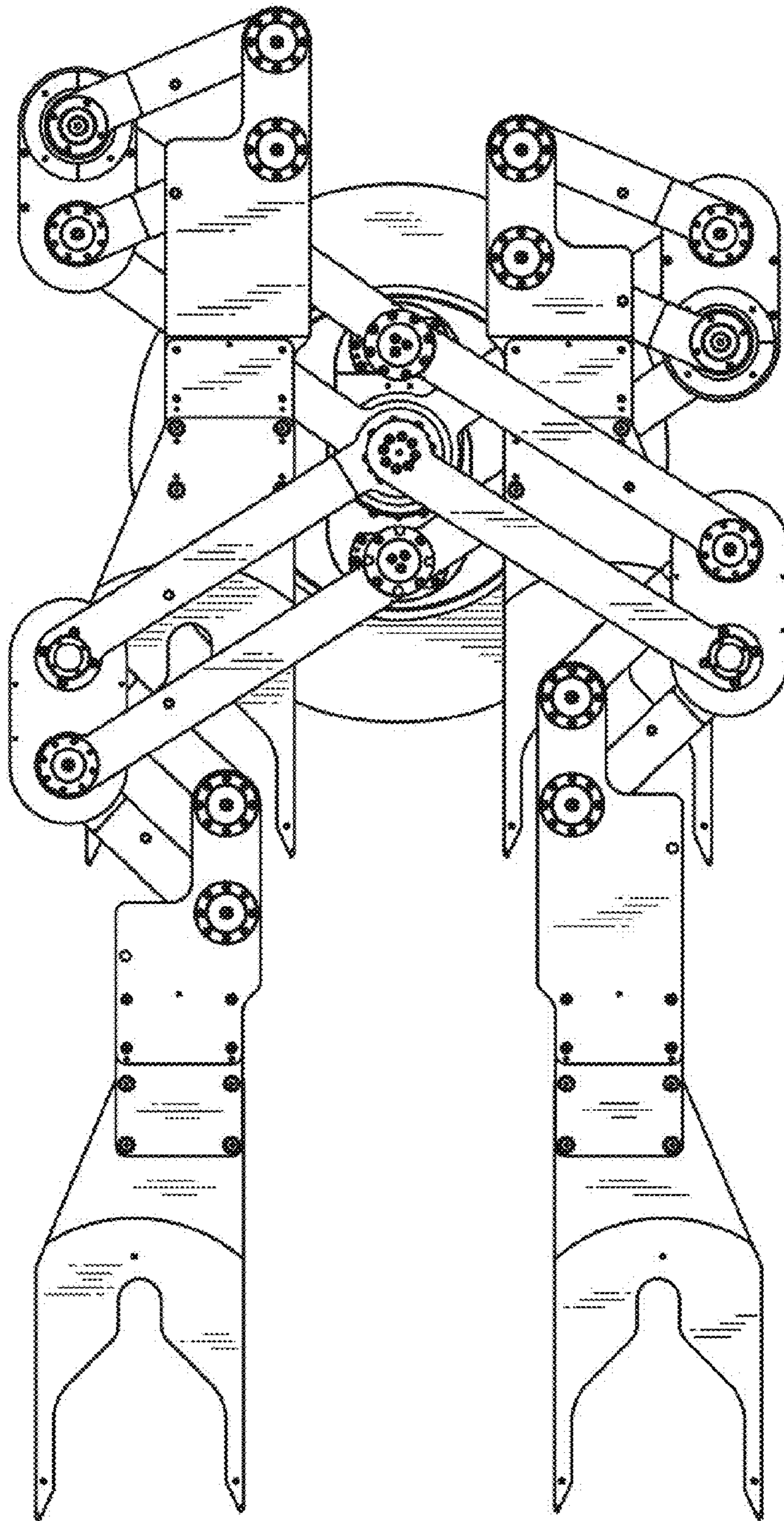


FIG. 11

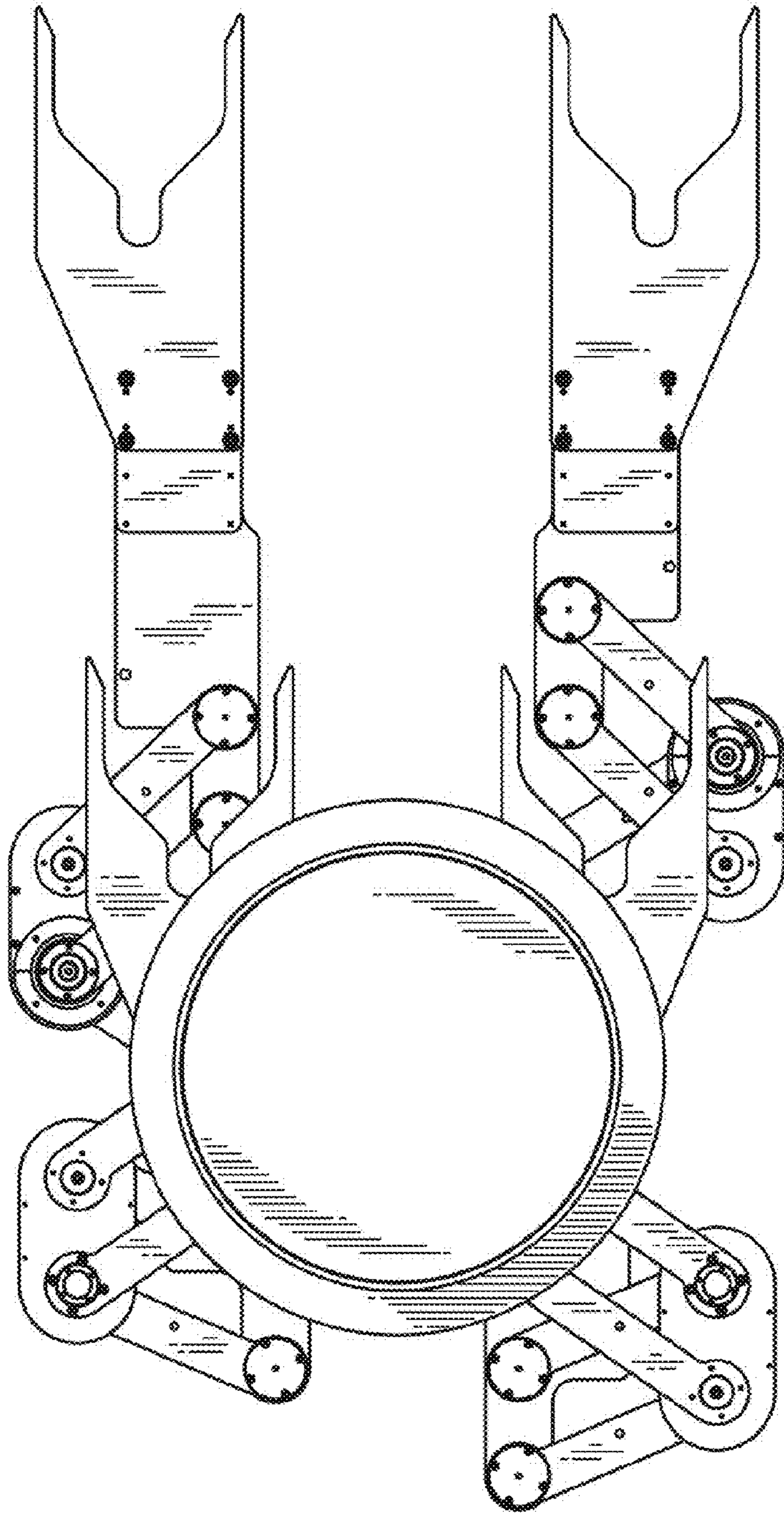


FIG. 12

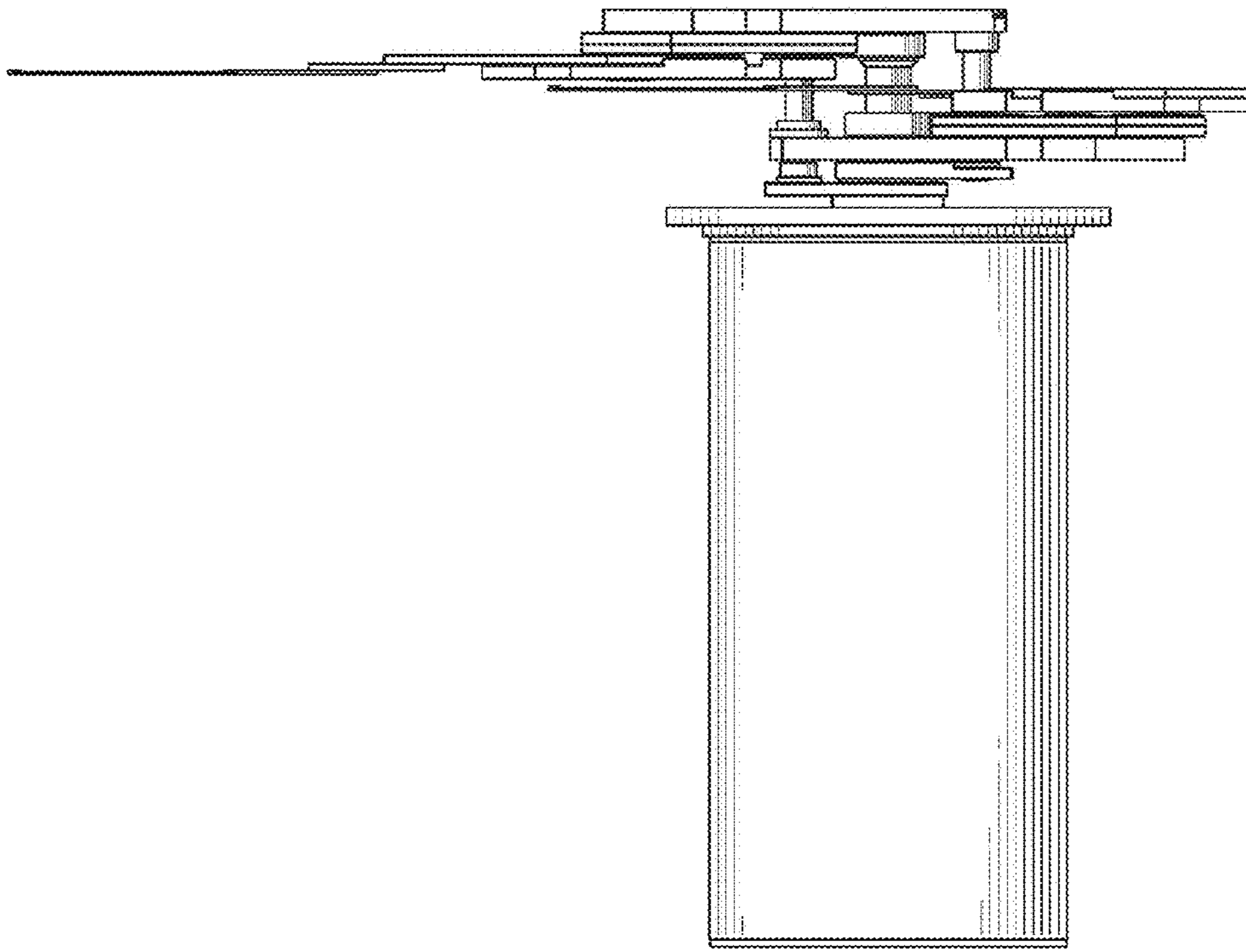


FIG. 13

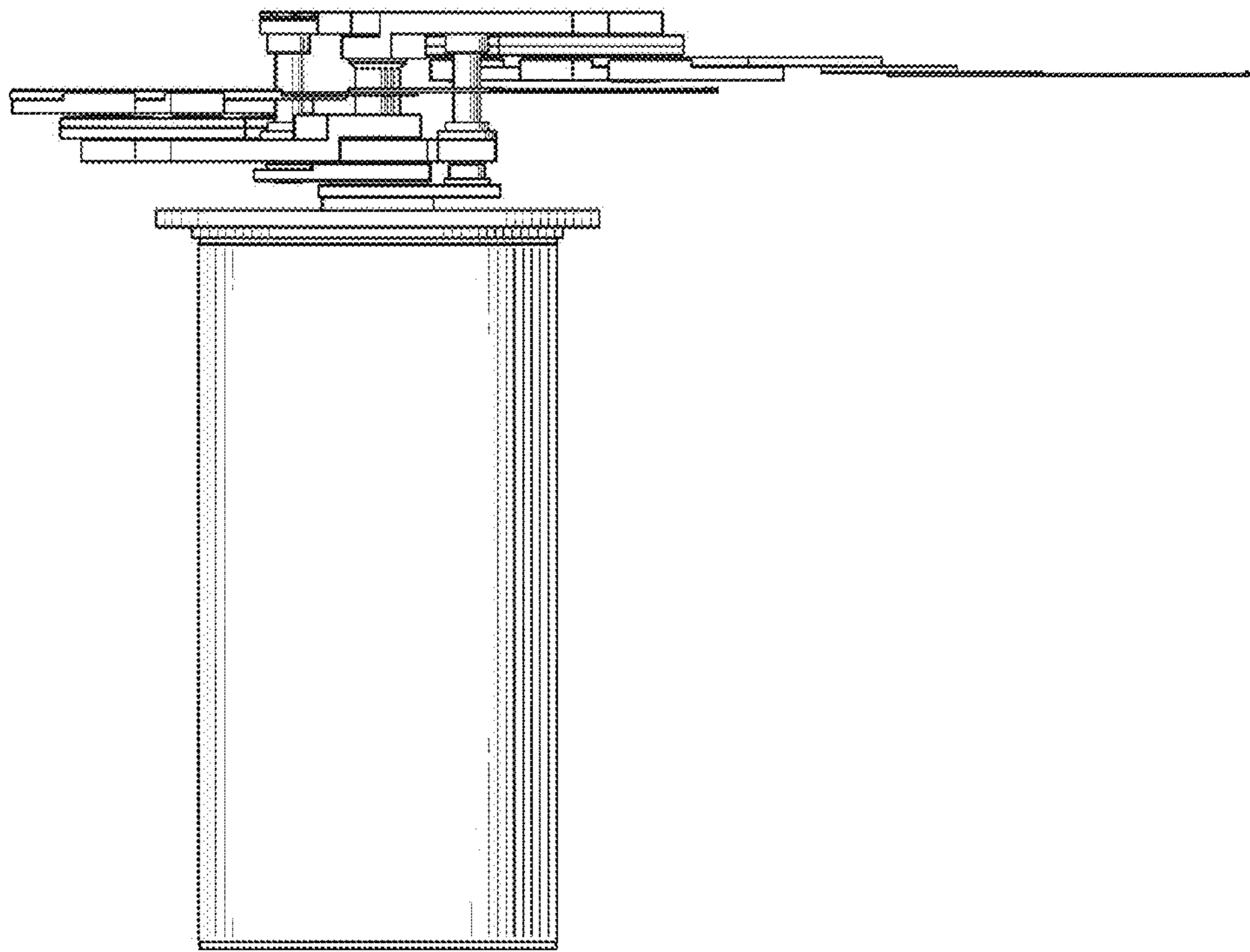


FIG. 14