



US00RE44515E

(19) **United States**
(12) **Reissued Patent**
Ciungan et al.

(10) **Patent Number:** **US RE44,515 E**
(45) **Date of Reissued Patent:** **Oct. 8, 2013**

(54) **MOUNTING PLATE**

DESCRIPTION

- (75) Inventors: **Marcel Ciungan**, Arlington Heights, IL (US); **Dugan O’Keene**, Forest Park, IL (US)
- (73) Assignee: **Peerless Industries, Inc.**, Aurora, IL (US)
- (21) Appl. No.: **29/335,520**
- (22) Filed: **Apr. 16, 2009**

Related U.S. Patent Documents

Reissue of:

- (64) Patent No.: **Des. 558,562**
Issued: **Jan. 1, 2008**
Appl. No.: **29/264,330**
Filed: **Aug. 8, 2006**

- (51) **LOC (9) Cl.** **08-05**
- (52) **U.S. Cl.**
USPC **D8/363**; D14/452; D8/354
- (58) **Field of Classification Search**
USPC D8/349, 354, 363, 373; 248/274.1, 248/284.1, 278.1; D14/451–452
See application file for complete search history.

(56) **References Cited**

U.S. PATENT DOCUMENTS

5,751,548 A 5/1998 Hall et al.
(Continued)

OTHER PUBLICATIONS

“Installation and Assembly: Articulating LCD Wall Arm,” Installation Instructions. Peerless Industries, Inc., Issued May 18, 2005.

Primary Examiner — Phillip S Hyder

(74) *Attorney, Agent, or Firm* — Foley & Lardner LLP

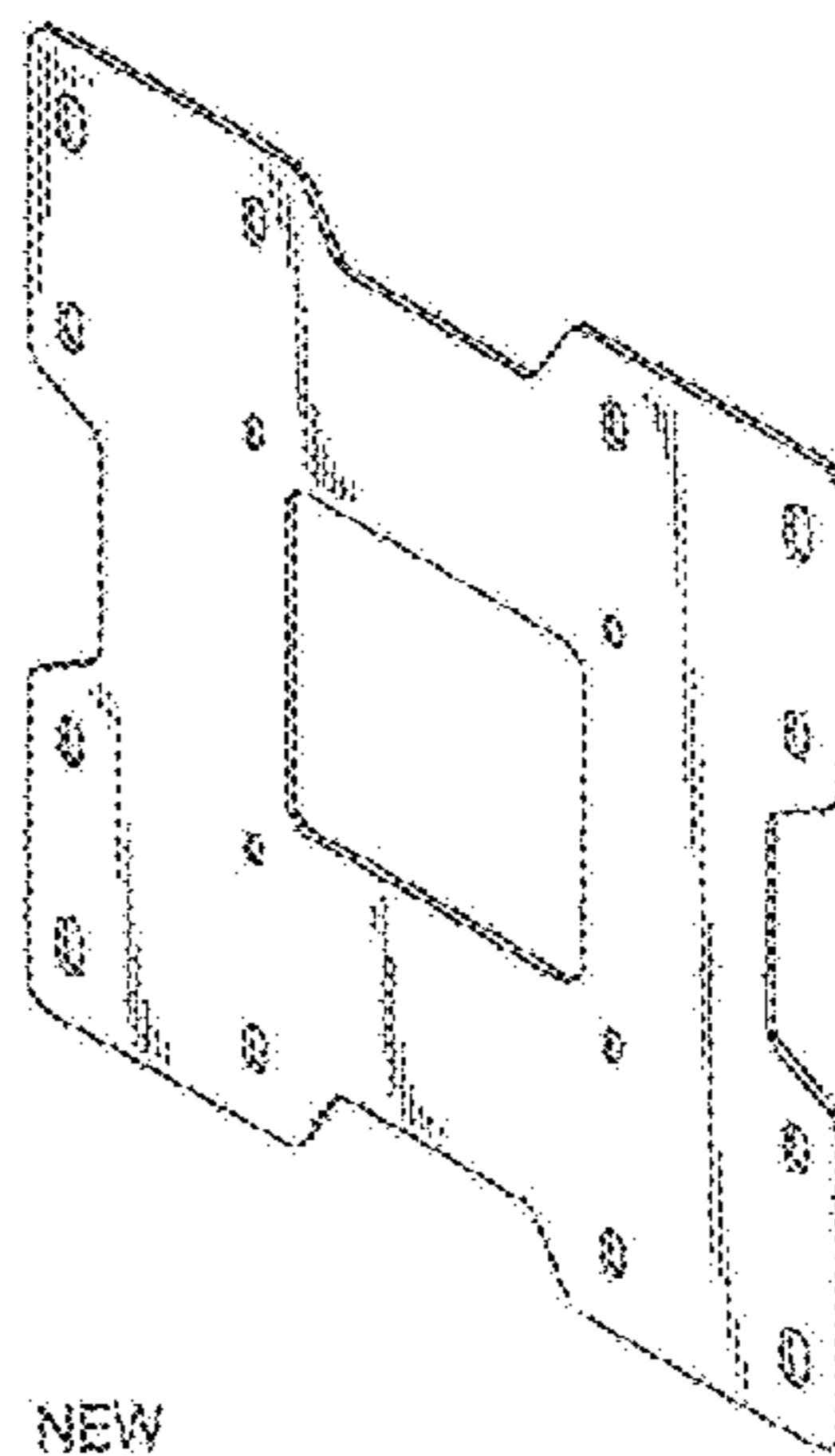
(57) **CLAIM**

We claim the ornamental design for a [articulating mount unit] *mounting plate*, as shown and described.

[FIG. 1 is a perspective view of the articulating mount unit showing our new design;]
 [FIG. 2 is a left side view thereof;]
 [FIG. 3 is a right side view thereof;]
 [FIG. 4 is a front view thereof;]
 [FIG. 5 is a rear view thereof;]
 [FIG. 6 is a top plan view thereof;]
 [FIG. 7 is a bottom view thereof;]
 [FIG. 8 is a perspective view of another embodiment of the articulating mount unit showing our new design;]
 [FIG. 9 is a left side view of the articulating mount unit in FIG. 8;]
 [FIG. 10 is a right side view of the articulating mount unit in FIG. 8;]
 [FIG. 11 is a front view of the articulating mount unit in FIG. 8;]
 [FIG. 12 is rear view of the articulating mount unit in FIG. 8;]
 [FIG. 13 is a top plan view of the articulating mount unit in FIG. 8; and,]
 [FIG. 14 is a bottom view of the articulating mount unit in FIG. 8.]
 [The broken lines in the drawings are for illustrative purposes only and form no part of the claimed design.]
FIG. 15 is a perspective view of a mounting plate showing our new design;
FIG. 16 is a front view thereof;
FIG. 17 is a right side view thereof;
FIG. 18 is a left side view thereof;
FIG. 19 is a top plan view thereof; and,
FIG. 20 is a bottom view thereof.

1 Claim, 3 Drawing Sheets

Matter enclosed in heavy brackets [] appears in the original patent but forms no part of this reissue; matter printed in italics indicates the additions made by reissue.



(56)

References Cited

U.S. PATENT DOCUMENTS

6,095,467 A	8/2000	Neuhof	7,028,961 B1	4/2006	Dittmer et al.
D455,949 S	4/2002	Huang	D538,633 S *	3/2007	Ly Hau et al. D8/363
6,478,275 B1	11/2002	Huang	D539,123 S *	3/2007	Ly Hau et al. D8/363
D472,793 S *	4/2003	Callahan et al. D8/349	D543,548 S *	5/2007	Muday et al. D14/452
6,554,238 B1	4/2003	Hibberd	D558,560 S	1/2008	Ciungan
6,695,270 B1	2/2004	Smed	D558,561 S	1/2008	Ciungan
D488,708 S	4/2004	Lam et al.	D558,563 S *	1/2008	Ciungan D8/363
D489,599 S	5/2004	Lam	D558,564 S	1/2008	Ciungan
D496,367 S	9/2004	Pfister	D559,085 S	1/2008	Yu
D503,858 S	4/2005	Ricci	D559,087 S	1/2008	Ciungan
6,905,101 B1	6/2005	Dittmer	D559,088 S	1/2008	Ciungan
D507,477 S	7/2005	Pfister	D560,674 S *	1/2008	Wohlford et al. D14/451
			2004/0245420 A1	12/2004	Pfister et al.
			2005/0263659 A1	12/2005	Pfister et al.
			2005/0263671 A1 *	12/2005	Lo 248/917

* cited by examiner

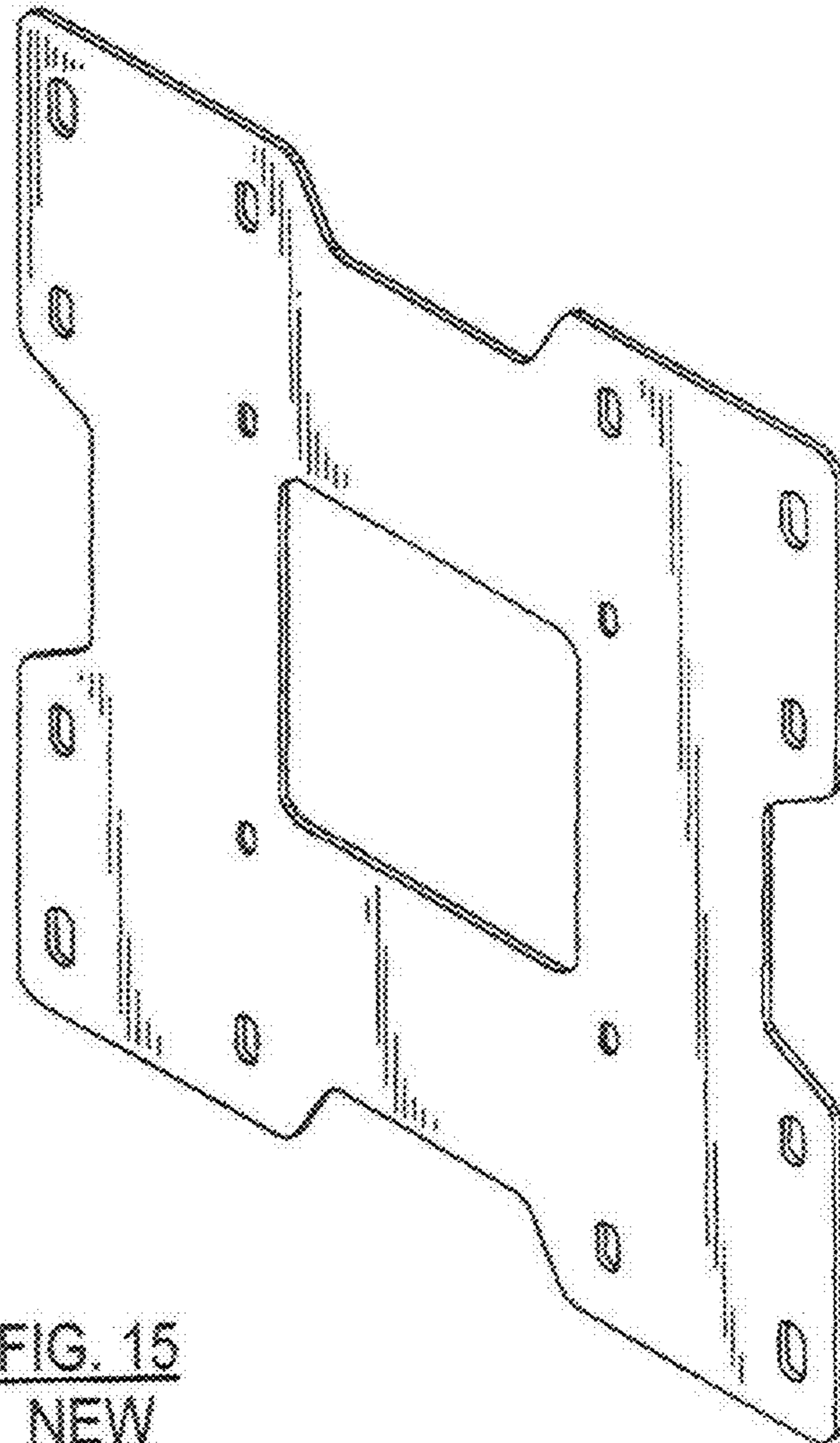


FIG. 15
NEW

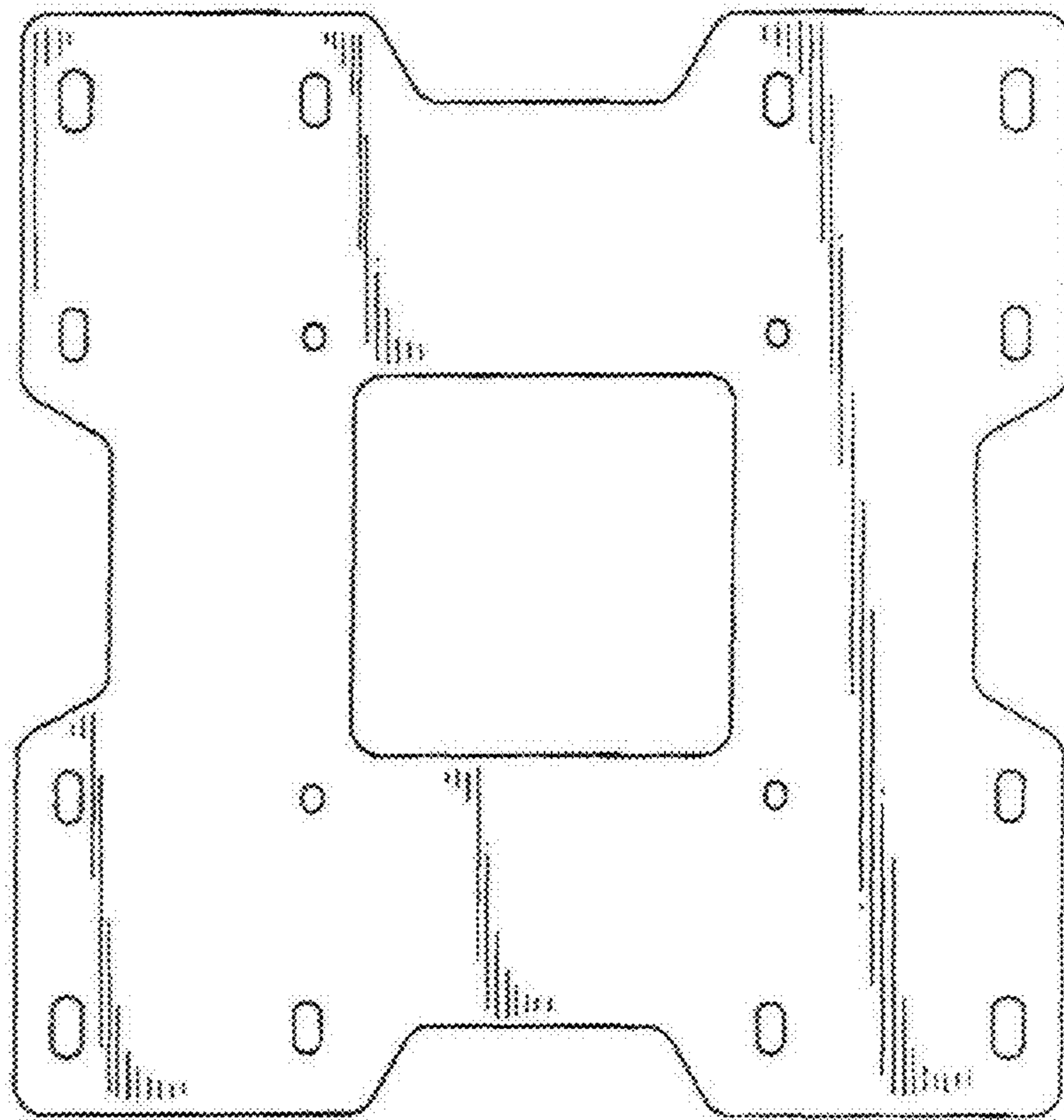


FIG. 16
NEW

FIG. 17
NEW



FIG. 18
NEW

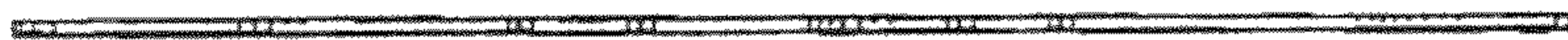


FIG. 19
NEW



FIG. 20
NEW