

US00RE44353E

(19) **United States**
(12) **Reissued Patent**
Mirtich et al.

(10) **Patent Number:** **US RE44,353 E**
(45) **Date of Reissued Patent:** **Jul. 9, 2013**

(54) **SYSTEM AND METHOD FOR ASSIGNING ANALYSIS PARAMETERS TO VISION DETECTOR USING A GRAPHICAL INTERFACE**

(75) Inventors: **Brian V. Mirtich**, Phoenix, AZ (US);
Andrew Eames, Ashland, MA (US);
Brian S. Phillips, Sherborn, MA (US);
Robert J. Tremblay, II, Grafton, MA (US);
John F. Keating, Medway, MA (US);
Steven Whitman, Danville, NH (US)

(73) Assignee: **Cognex Technology and Investment Corporation**, Mountain View, CA (US)

(21) Appl. No.: **12/931,504**

(22) Filed: **Dec. 22, 2010**

Related U.S. Patent Documents

Reissue of:

(64) Patent No.: **7,636,449**
Issued: **Dec. 22, 2009**
Appl. No.: **10/987,497**
Filed: **Nov. 12, 2004**

(51) **Int. Cl.**
G06K 9/00 (2006.01)

(52) **U.S. Cl.**
USPC **382/100; 382/103; 382/141; 382/145; 382/152; 382/199; 345/650; 345/661**

(58) **Field of Classification Search**
USPC **382/100, 103, 107, 141, 145, 152, 382/199, 266; 345/619, 650, 661, 676**

See application file for complete search history.

(56) **References Cited**

U.S. PATENT DOCUMENTS

4,214,265 A 7/1980 Olesen
4,292,666 A 9/1981 Hill et al.
4,384,195 A 5/1983 Nosler

(Continued)

FOREIGN PATENT DOCUMENTS

DE 10012715 9/2000
DE 2309078 2/2002

(Continued)

OTHER PUBLICATIONS

PCT/US2008/083191, Search Report, Feb. 17, 2009.

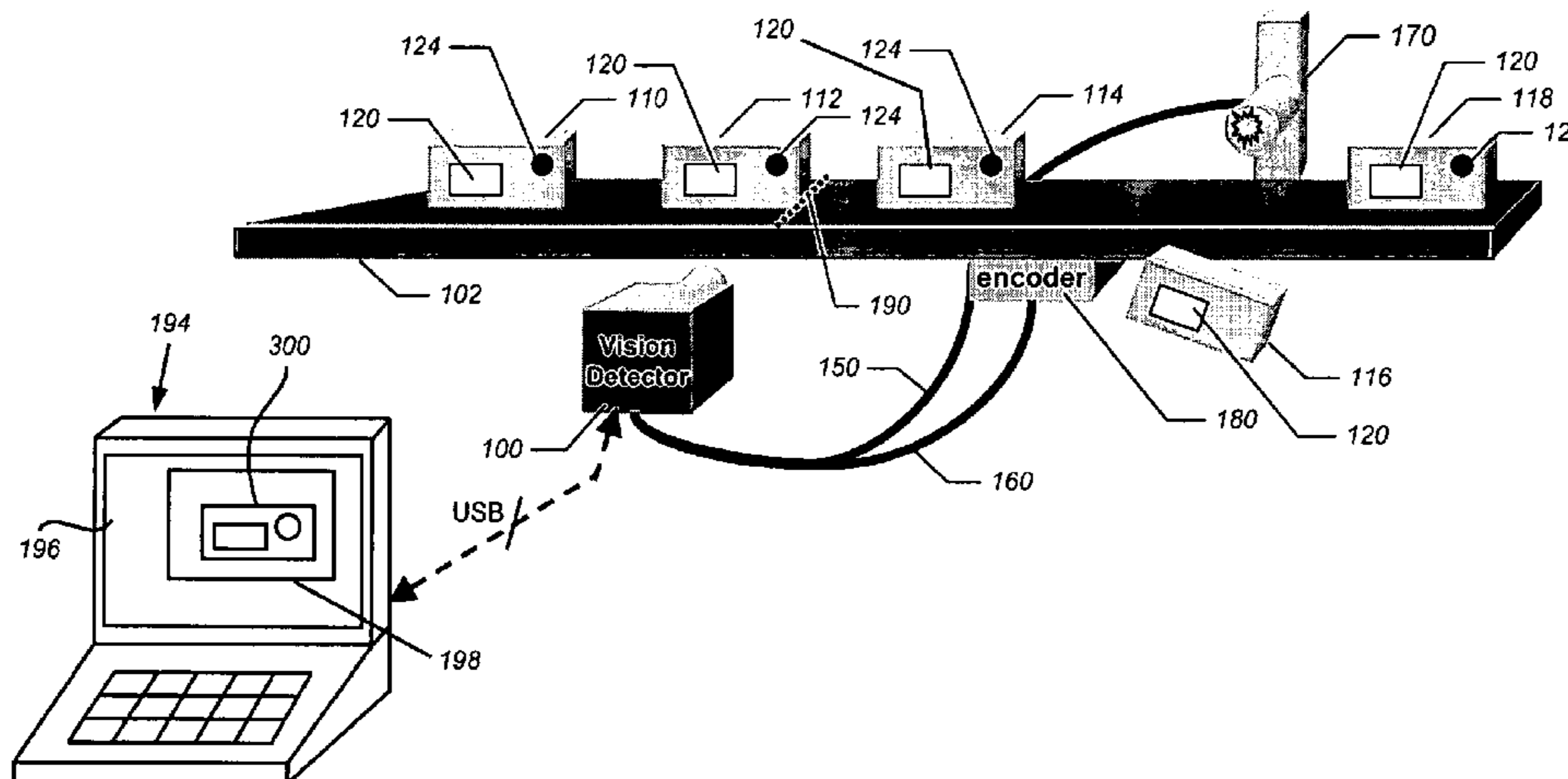
(Continued)

Primary Examiner — Yosep Kassa

(57) **ABSTRACT**

This invention provides a system and method for automating the setup of Locators and Detectors within an image view of an object on the HMI of a vision detector by determining detectable edges and best fitting the Locators and Detectors to a location on the object image view following the establishment of a user selected operating point on the image view, such as by clicking a GUI cursor. In this manner, the initial placement and sizing of the graphical elements for Locator and Detector ROIs are relatively optimized without excessive adjustment by the user. Locators can be selected for direction, including machine or line-movement direction, cross direction or angled direction transverse to cross direction and movement direction. Detectors can be selected based upon particular analysis tools, including brightness tools, contrast tools and trained templates. The Locators and detectors are each associated with a particular set of operating parameters, such as activation threshold, which are displayed in a control box within the GUI (and can be accessed by clicking on the specific Locator or Detector. A parameter bar can also be provided adjacent to the depiction of the Detector on the image view for easy reference. Both Locators and Detectors may be manually readjusted once automatically placed and sized by drag and drop techniques.

38 Claims, 22 Drawing Sheets



US RE44,353 E

Page 2

U.S. PATENT DOCUMENTS							
4,647,979	A	3/1987	Urata	6,446,868	B1	9/2002	Robertson et al.
4,847,772	A	7/1989	Michalopoulos et al.	6,483,935	B1	11/2002	Rostami et al.
4,916,640	A	4/1990	Gasperi	6,487,304	B1	11/2002	Szeliski
4,953,841	A *	9/1990	Polarek 270/52.02	6,525,810	B1 *	2/2003	Kipman 356/237.1
4,962,538	A	10/1990	Eppler et al.	6,526,156	B1	2/2003	Black et al.
4,972,494	A	11/1990	White et al.	6,539,107	B1	3/2003	Michael et al.
5,018,213	A	5/1991	Sikes	6,545,705	B1	4/2003	Sigel et al.
5,040,056	A	8/1991	Sager et al.	6,549,647	B1	4/2003	Skunes et al.
5,121,201	A	6/1992	Seki	6,573,929	B1	6/2003	Glier et al.
5,146,510	A	9/1992	Cox et al.	6,580,810	B1	6/2003	Yang et al.
5,164,998	A	11/1992	Reinsch et al.	6,587,122	B1	7/2003	King et al.
5,177,420	A	1/1993	Wada	6,597,381	B1	7/2003	Eskridge et al.
5,184,217	A *	2/1993	Doering 348/88	6,608,930	B1	8/2003	Agnihotri et al.
5,198,650	A	3/1993	Wike et al.	6,618,074	B1	9/2003	Seeley et al.
5,210,798	A	5/1993	Ekchian et al.	6,625,317	B1	9/2003	Gaffin et al.
5,233,541	A	8/1993	Corwin et al.	6,628,805	B1	9/2003	Hansen et al.
5,262,626	A	11/1993	Goren et al.	6,629,642	B1	10/2003	Swartz et al.
5,271,703	A *	12/1993	Lindqvist et al. 414/268	6,646,244	B2	11/2003	Aas et al.
5,286,960	A	2/1994	Longacre, Jr. et al.	6,668,075	B1	12/2003	Nakamura
5,298,697	A	3/1994	Suzuki et al.	6,677,852	B1	1/2004	Landt
5,317,645	A	5/1994	Perozek et al.	6,681,151	B1	1/2004	Weinzimmer et al.
5,365,596	A	11/1994	Dante et al.	6,714,213	B1 *	3/2004	Lithicum et al. 715/701
5,420,409	A	5/1995	Longacre, Jr. et al.	6,741,977	B1	5/2004	Nagaya et al.
5,476,010	A	12/1995	Fleming et al.	6,750,974	B2 *	6/2004	Svetkoff et al. 356/602
5,481,712	A	1/1996	Silver et al.	6,753,876	B2	6/2004	Brooksby et al.
5,581,625	A	12/1996	Connell et al.	6,754,374	B1 *	6/2004	Miller et al. 382/128
5,602,890	A *	2/1997	Gray et al. 378/57	6,761,316	B2	7/2004	Bridgelall
5,687,249	A	11/1997	Kato	6,766,414	B2	7/2004	Francis et al.
5,717,834	A	2/1998	Werblin et al.	6,774,917	B1	8/2004	Foote et al.
5,734,742	A	3/1998	Asaeda et al.	6,795,521	B2 *	9/2004	Hsu et al. 378/4
5,742,037	A	4/1998	Scola et al.	6,816,063	B2	11/2004	Kubler
5,751,831	A	5/1998	Ono	6,817,982	B2 *	11/2004	Fritz et al. 600/443
5,802,220	A	9/1998	Black et al.	6,891,570	B2	5/2005	Tantalo et al.
5,809,161	A	9/1998	Auty et al.	6,901,277	B2 *	5/2005	Kaufman et al. 600/407
5,825,483	A	10/1998	Michael et al.	6,919,793	B2	7/2005	Heinrich
5,852,669	A	12/1998	Eleftheriadis et al.	6,944,584	B1	9/2005	Tenney et al.
5,872,354	A	2/1999	Hanson	6,985,827	B2	1/2006	Williams et al.
5,917,602	A	6/1999	Bonewitz et al.	6,987,528	B1	1/2006	Nagahisa et al.
5,929,418	A	7/1999	Ehrhart et al.	6,997,556	B2	2/2006	Pfleger
5,932,862	A	8/1999	Hussey et al.	6,999,625	B1	2/2006	Nelson
5,937,096	A	8/1999	Kawai	7,062,071	B2	6/2006	Tsujino et al.
5,942,741	A	8/1999	Longacre et al.	7,066,388	B2	6/2006	He
5,943,432	A	8/1999	Gilmore et al.	7,070,099	B2	7/2006	Patel
5,960,097	A	9/1999	Pfeiffer et al.	7,085,401	B2	8/2006	Averbuch et al.
5,960,125	A	9/1999	Michael et al.	7,088,387	B1	8/2006	Freeman et al.
5,966,457	A	10/1999	Lemelson	7,088,846	B2	8/2006	Han et al.
6,046,764	A *	4/2000	Kirby et al. 348/92	7,097,102	B2	8/2006	Patel et al.
6,049,619	A	4/2000	Anandan et al.	7,130,457	B2 *	10/2006	Kaufman et al. 382/128
6,061,471	A	5/2000	Coleman, Jr. et al.	7,175,090	B2	2/2007	Nadabar
6,072,494	A	6/2000	Nguyen	7,181,066	B1	2/2007	Wagman
6,072,882	A *	6/2000	White et al. 381/94.1	7,227,925	B1 *	6/2007	Mansfield et al. 378/65
6,075,882	A *	6/2000	Mullins et al. 382/141	7,227,978	B2	6/2007	Komatsuzaki et al.
6,078,251	A	6/2000	Landt et al.	7,266,768	B2	9/2007	Ferlitsch et al.
6,088,467	A	7/2000	Sarpeshkar et al.	7,274,808	B2	9/2007	Baharav et al.
6,115,480	A	9/2000	Washizawa	7,280,685	B2	10/2007	Beardsley et al.
6,158,661	A	12/2000	Chadima, Jr. et al.	7,611,358	B2 *	11/2009	Cox et al. 439/65
6,160,494	A	12/2000	Sodi et al.	7,657,081	B2	2/2010	Blais et al.
6,161,760	A	12/2000	Marrs	7,734,008	B1 *	6/2010	Sanders et al. 378/57
6,169,535	B1	1/2001	Lee	7,787,678	B2 *	8/2010	Unal et al. 382/128
6,169,600	B1	1/2001	Ludlow	8,049,193	B1 *	11/2011	Appleby et al. 250/505.1
6,173,070	B1	1/2001	Michael et al.	8,194,821	B2 *	6/2012	Seppi et al. 378/62
6,175,644	B1	1/2001	Scola et al.	2001/0042789	A1	11/2001	Krichever et al.
6,175,652	B1	1/2001	Jacobson et al.	2002/0005895	A1	1/2002	Freeman et al.
6,184,924	B1 *	2/2001	Schneider et al. 348/92	2002/0099455	A1	7/2002	Ward
6,215,892	B1	4/2001	Douglass et al.	2002/0122582	A1	9/2002	Masuda et al.
6,282,462	B1	8/2001	Hopkins	2002/0177918	A1	11/2002	Pierel et al.
6,285,787	B1	9/2001	Kawachi et al.	2002/0181405	A1	12/2002	Ying
6,298,176	B2	10/2001	Longacre, Jr. et al.	2002/0196336	A1	12/2002	Batson et al.
6,301,610	B1	10/2001	Ramser et al.	2002/0196342	A1	12/2002	Walker et al.
6,333,993	B1	12/2001	Sakamoto	2003/0062418	A1	4/2003	Barber et al.
6,346,966	B1	2/2002	Toh	2003/0095710	A1	5/2003	Tessadro
6,347,762	B1	2/2002	Sims et al.	2003/0113018	A1	6/2003	Nefian et al.
6,360,003	B1	3/2002	Doi et al.	2003/0120714	A1	6/2003	Wolff et al.
6,396,517	B1	5/2002	Beck et al.	2003/0137590	A1	7/2003	Barnes et al.
6,396,949	B1	5/2002	Nichani	2003/0201328	A1	10/2003	Jam et al.
6,408,429	B1	6/2002	Marrion et al.	2003/0219146	A1	11/2003	Jepson et al.
6,429,387	B1 *	8/2002	Kuribayashi et al. 174/261	2003/0227483	A1	12/2003	Schultz et al.
6,434,264	B1 *	8/2002	Asar 382/147	2004/0148057	A1	7/2004	Breed et al.
				2004/0218806	A1	11/2004	Miyamoto et al.

2005/0184217	A1	8/2005	Kong et al.	Prosecution file history for U.S. Appl. No. 11/136,103, May 24, 2005 through Dec. 18, 2009.
2005/0226490	A1	10/2005	Phillips et al.	Prosecution file history for U.S. Appl. No. 11/138,033, Jun. 27, 2007 through Oct. 25, 2007.
2005/0254106	A9	11/2005	Silverbrook et al.	Prosecution file history for U.S. Appl. No. 11/138,025, May 26, 2005, through Jan. 17, 2009.
2005/0257646	A1	11/2005	Yeager	Prosecution file history for U.S. Appl. No. 11/616,726, Dec. 27, 2006 through Aug. 20, 2010.
2005/0275728	A1	12/2005	Mirtich et al.	Prosecution file history for U.S. Appl. No. 11/769,494, Jun. 27, 2007 through Oct. 25, 2007.
2005/0275831	A1	12/2005	Silver	European Patent application No. 05758781, file history Feb. 18, 2006 through Mar. 25, 2009.
2005/0275833	A1	12/2005	Silver	PCT/US2005/019923 International Preliminary Report on Patentability, May 12, 2006.
2005/0275834	A1	12/2005	Silver	European Patent application No. 05763341, file history Jun. 13, 2007 through Sep. 20, 2010.
2005/0276445	A1	12/2005	Silver et al.	Japanese Patent application No. 2007-527,637, Office action English translation, dated May 25, 2010.
2005/0276459	A1	12/2005	Eames et al.	Japanese Patent Application 2007-527 637, Response to Office action dated, Sep. 1, 2010, English translation.
2005/0276460	A1	12/2005	Silver et al.	European Patent application No. 05756516, file history Feb. 23, 2006 through Feb. 10, 2009.
2005/0276461	A1	12/2005	Silver et al.	International Preliminary Report on Patentability, PCT/US2008/007280 Publication Date Dec. 17, 2009.
2005/0276462	A1	12/2005	Silver et al.	International Search Report, PCT/US20081007302, Publication Date Nov. 5, 2009.
2006/0022052	A1	2/2006	Patel et al.	Written Opinion of the International Searching Authority PCT/US2008/007302, Publication Date Nov. 5, 2009.
2006/0107211	A1	5/2006	Mirtich et al.	Written Opinion of the International Searching Authority, PCT/US2008/007280, Publication Date Dec. 15, 2009.
2006/0107223	A1	5/2006	Mirtich et al.	Apple Computer Inc., Studio Display User's Manual online, retrieved on Nov. 24, 2010, retrieved from the Internet http://manuals.info.apple.com/en/studioDisplay_15inLCDUserManual.pdf , 1998.
2006/0131419	A1	6/2006	Nunnink	Search Report, PCT/US2008/083191, Publication Date Feb. 17, 2009.
2006/0133757	A1	6/2006	Nunnink	Cognex Corporation, VisionPro Getting Started, Revision 3.2, 590-6508, copyright 2003.
2006/0146337	A1	7/2006	Marshall et al.	National Instruments, IMAQVision Builder Tutorial, IMAQ XP-002356530, b, http://www.ni.com/pdf/manuals/322228c.pdf , Publication Date, Dec. 2000.
2006/0223628	A1	10/2006	Walker et al.	Allen-Bradley, Bulletin 2803 VIM Vision Input Module, Cat. No. 2803-VIM2, Printed USA, (1991) (Submitted in 3 parts).
2006/0249581	A1	11/2006	Smith et al.	Allen-Bradley, Bulletin 5370 CVIM Configurable Vision Input Module, User Manual Cat. No. 5370-CVIM, (1995) (Submitted in 3 parts).
2006/0283952	A1	12/2006	Wang	Allen-Bradley, User's Manual, Bulletin 2803 VIM Vision Input Module, Cat. No. 2803-VIM1, (1987) (Submitted in 2 parts).
2007/0009152	A1	1/2007	Kanda	Cognex Corporation, Screen shot of the CheckMate GUI Ver 1.6, (Jan. 2005).
2007/0146491	A1	6/2007	Tremblay et al.	Cognex Corporation, Sensorpart FA45 Vision Sensor, (Sep. 29, 2006).
2007/0181692	A1	8/2007	Barkan et al.	Cognex Corporation, 3000/4000/5000 Vision Tools, revision 7.6, 590-0136, Chapter 13, (1996).
2008/0036873	A1	2/2008	Silver	Cognex Corporation, Cognex 3000/4000/5000, Vision Tools, Revision 7.6, 590-0136, Chapter 10 Auto-Focus, (1996).
2008/0166015	A1	7/2008	Haering et al.	Vietze, Oliver Miniaturized Vision Sensors for Process Automation, (Jan. 2, 2005).
2008/0167890	A1	7/2008	Pannese et al.	"Cognex 3000/4000/5000 Image Processing", <i>Revision 7.4 590-0135 Edge Detection Tool</i> , (1996).
2008/0205714	A1	8/2008	Benkley	"Cognex 4000/5000 SMD Placement Guidance Package, User's Manual" <i>Release 3.8.00, Chapter 15</i> , 590-6168,(1998).
2008/0219521	A1	9/2008	Benkley	"Cognex VisionPro", <i>Getting Started—QuickStart Tutorial</i> , Cognex Corporation, 590-6560, Revision 3.5,(May 2004),69-94.
2008/0285802	A1	11/2008	Bramblet et al.	"CVL Vision Tools Guide", <i>Cognex MVS-8000 Series</i> , Chapter 5, Symbol Tool, CVL 5.4,(Dec. 1999).
2010/0318936	A1	12/2010	Tremblay et al.	Demotte, Donald, "Visual Line Tracking", <i>Application Overview & Issues Machine Vision for Robot Guidance Workshop</i> , (May 5, 2004).

FOREIGN PATENT DOCUMENTS

DE	10040563	2/2002
EP	0815688	1/1998
EP	0939382	9/1999
EP	0815688	5/2000
EP	0896290	10/2004
EP	1469420	10/2004
EP	1734456	12/2006
GB	2226130	6/1990
JP	60147602	8/1985
JP	9-288060	11/1997
JP	11-101689	4/1999
JP	2000-84495	3/2000
JP	2000-227401	8/2000
JP	2000-322450	11/2000
JP	2002-148205	5/2002
WO	WO-9609597	3/1996
WO	WO-0141068	6/2001
WO	WO-0215120	2/2002
WO	WO-02075637	9/2002
WO	WO-03102859	12/2003
WO	WO-2005050390	6/2005
WO	WO-2005124709	12/2005

OTHER PUBLICATIONS

Response to Written Opinion, Singapore patent No. 200608484-2, Dec. 11, 2009.

Prosecution file history for U.S. Appl. No. 10/865,155, Jun. 9, 2004 through Jan. 10, 2011.

Prosecution file history for U.S. Appl. No. 10/979,535, Nov. 2, 2004 through 1/29/09.

Prosecution file history for U.S. Appl. No. 10/979,572, Nov. 2, 2004 through Jan. 11, 2001.

Prosecution file history for U.S. Appl. No. 10/987,497, Oct. 2, 2008 through Mar. 30, 2009.

Prosecution file history for U.S. Appl. No. 10/988,120, Nov. 12, 2004 through Dec. 31, 2009.

Prosecution file history for U.S. Appl. No. 11/059,512, Feb. 16, 2005 through Dec. 18, 2008.

Non-Final Office Action for U.S. Appl. No. 11/094,650, dated Jan. 28, 2009.

Prosecution file history for U.S. Appl. No. 11/136,019, May 24, 2005 through Oct. 29, 2010.

Apple Computer Inc., Studio Display User's Manual online, retrieved on Nov. 24, 2010, retrieved from the Internet http://manuals.info.apple.com/en/studioDisplay_15inLCDUserManual.pdf, 1998.

Search Report, PCT/US2008/083191, Publication Date Feb. 17, 2009.

Cognex Corporation, VisionPro Getting Started, Revision 3.2, 590-6508, copyright 2003.

National Instruments, IMAQVision Builder Tutorial, IMAQ XP-002356530, b, <http://www.ni.com/pdf/manuals/322228c.pdf>, Publication Date, Dec. 2000.

Allen-Bradley, Bulletin 2803 VIM Vision Input Module, Cat. No. 2803-VIM2, Printed USA, (1991) (Submitted in 3 parts).

Allen-Bradley, Bulletin 5370 CVIM Configurable Vision Input Module, User Manual Cat. No. 5370-CVIM, (1995) (Submitted in 3 parts).

Allen-Bradley, User's Manual, Bulletin 2803 VIM Vision Input Module, Cat. No. 2803-VIM1, (1987) (Submitted in 2 parts).

Cognex Corporation, Screen shot of the CheckMate GUI Ver 1.6, (Jan. 2005).

Cognex Corporation, Sensorpart FA45 Vision Sensor, (Sep. 29, 2006).

Cognex Corporation, 3000/4000/5000 Vision Tools, revision 7.6, 590-0136, Chapter 13, (1996).

Cognex Corporation, Cognex 3000/4000/5000, Vision Tools, Revision 7.6, 590-0136, Chapter 10 Auto-Focus, (1996).

Vietze, Oliver Miniaturized Vision Sensors for Process Automation, (Jan. 2, 2005).

"Cognex 3000/4000/5000 Image Processing", *Revision 7.4 590-0135 Edge Detection Tool*, (1996).

"Cognex 4000/5000 SMD Placement Guidance Package, User's Manual" *Release 3.8.00, Chapter 15*, 590-6168,(1998).

"Cognex VisionPro", *Getting Started—QuickStart Tutorial*, Cognex Corporation, 590-6560, Revision 3.5,(May 2004),69-94.

"CVL Vision Tools Guide", *Cognex MVS-8000 Series*, Chapter 5, Symbol Tool, CVL 5.4,(Dec. 1999).

Demotte, Donald, "Visual Line Tracking", *Application Overview & Issues Machine Vision for Robot Guidance Workshop*, (May 5, 2004).

Shane C. Hunt, Mastering Microsoft PhotoDraw 2000, SYBEX, Inc., May 21, 1999.

Integrated Design Tools, High-Speed CMOS Digital Camera, X-Stream Vision User's Manual, 2000.

- IO Industries, High Speed Digital Video Recording Software 4.0, IO industries, Inc.—Ontario, CA, 2002.
- Phillip Kahn, Building Blocks for Computer Vision Systems, IEEE Expert, vol. 8, No. 6, XP002480004, pp. 40-50, Dec. 6, 1993.
- Matrox, Interactive Windows Imaging Software for Industrial and Scientific Applications, Inspector 4.0—Matrox Imaging, pp. 8, Apr. 15, 2002.
- Olympus Industrial, Design Philosophy, i-speed, 2002.
- Olympus Industrial High Speed, High Quality Imaging Systems, i-speed Product Brochure—Publisher Olympus Industrial, 2002.
- RVSI, Smart Camera Reader for Directly Marked Data Matrix Codes, HawkEye 1515 with GUI, 2004.
- Whelan, P. et al., Machine Vision Algorithms in Java, Chapter 1—An Introduction to Machine Vision, Springer-Verlag, XP002480005, 2001.
- Photron, USA, Product information for Fastcam-X 1280 PCI, Copyright 2004, www.photron.com.
- Photron, USA, Product information for Fastcam PCI, Copyright 2004, www.photron.com.
- Photron, USA, Product information for Ultima 1024, Copyright 2004, www.photron.com.
- Photron, USA, Product information for Ultima 512, Copyright 2004, www.photron.com.
- Photron, USA, Product information for Ultima APX, Copyright 2004, www.photron.com.
- KSV Instruments Ltd., HiSIS 2002—High Speed Imaging System, www.ksvLtd.fi, 2004.
- ICS 100, Intelligent Camera Sensor, SICK Product Information, SICK Industrial Sensors, 6900 West 110th St., Minneapolis, MN 55438, www.sickusa.com, Jan. 3, 2002.
- Matsushita Imagecheckers, NAiS Machine Vision, Matsushita Machine Vision Systems, 2003.
- Rohr, K., Incremental Recognition of Pedestrians from Image Sequences, CVPR93, 1993.
- Chang, Dingding et al., Feature Detection of Moving Images using a Hierarchical Relaxation Method, IEICE Trans. Inf. & Syst., vol. E79-D, Jul. 7, 1996.
- Zarandy, A. et al., Vision Systems Based on the 128X128 Focal Plane Cellular Visual Microprocessor Chips, IEEE, Mar. 2003, III-518—III-521.
- SmartCapture Tool, Feature Fact Sheet, Visionx Inc., www.visionxinc.com, 2003.
- Wilson, Andrew, CMOS/CCD sensors spot niche applications, Vision Systems, 2003.
- Matsushita LightPix AE10, NAiS Machine Vision, Matsushita Machine Vision Systems, 2003.
- Corke, Peter I., et al., Real Time Industrial Machine Vision, Electrical Engineering Congress Sydney, Australia, CSIRO Division of Manufacturing Technology, 1994.
- Marsh, R et al., The application of Knowledge based vision to closed-loop control of the injection molding process, SPIE vol. 3164, Faculty of Engineering University of the West of England United Kingdom, 1997, pp. 605-616.
- Zarandy, Akos et al., Ultra-High Frame Rate Focal Plane Image Sensor and Processor, IEEE Sensors Journal, vol. 2, No. 6, 2002.
- LM9630 100x128, 580 fps UltraSensitive Monochrome CMOS Image Sensor, National Semiconductor Corp., www.national.com, Rev. 1.0, Jan. 2004.
- Analog Devices, Inc., Blackfin Processor Instruction Set Reference, Revision 2.0, Part No. 82-000410-14, May 2003.
- ADSP-BF533 Blackfin Processor Hardware Reference, Analog Devices Inc., Media Platforms and Services Group, Preliminary Revision, Part No. 82-002005-01, Mar. 2003.
- National Instruments, IMAQVision Builder Tutorial, IMAQ XP-002356530, <http://www.ni.com/pdf/manuals/322228c.pdf>, Dec. 2000.
- Denis, Jolivet, LabView and IMAQ Vision Builder Provide Automated Visual Builder, LabVIEW, National Instruments, XP002356529, <http://www.ni.com/pdf/csma/us/JNDESWG.pdf>, 2001.
- Chen, Y.H., Computer vision for General Purpose Visual Inspection: a Fuzzy Logic Approach, Optics and Lasers in Engineering 22, Elsevier Science Limited, vol. 22, No. 3, 1995, pp. 182-192.
- Di Mauro, E.C., et al., Check a generic and specific industrial inspection tool, IEEE Proc.-Vis. Image Signal Process, vol. 143, No. 4, Aug. 27, 1996, pp. 241-249.
- Uno, T. et al., A Method of Real-Time Recognition of Moving Objects and its Application, Pattern Recognition: Pergamon Press, vol. 8, pp. 201-208, 1976.
- Hearing, N., et al., Visual Event Detection, Kluwer Academic Publishers, Chapter 2, Section 8, 2001.
- IBM, Software Controls for Automated Inspection Device Used to Check Interposer Buttons for Defects, IP.com Journal, IP.com Inc., West Henriets, NY US, Mar. 27, 2003.
- Wright, Anne, et al, Cognachrome Vision System User's Guide, Newton Research Labs, Manual Edition 2.0, Documents Software Version 26.0, Jun. 3, 1996.
- Stemmer Imaging GmbH, Going Multimedia with Common Vision Blox, Product News, www.stemmer-imaging.de, Mar. 3, 2004.
- Cordin Company, Electronic Imaging Systems, High Speed Imaging Solutions: 200-500 Series Cameras, www.cordin.com, 2004.
- Bi-i, AnaLogic Computers Ltd., 2003.
- Bi-i, Bio-inspired Real-Time Very High Speed Image Processing Systems, AnaLogic Computers Ltd., <http://www.analogic-computers.com/cgi-bin/phprint21.php>, 2004.
- Cellular device processes at ultrafast speeds, VisionSystems Design, Feb. 2003.
- LaVision GmbH, High Speed CCD/CMOS Camera Systems, Overview of State of-the-Art High Speed Digital Camera Systems, UltraSpeedStar, www.lavision.de, Sep. 24, 2004.
- 10-K SEC Filing, iQ 180 Products, Adaptive Optics Associates 900 Coles Road, Blackwood, NJ 08012-4683, Dec. 2003.
- Laser Scanning Product Guide, Adaptive Optics Associates, Industrial Products and Systems, 900 Coles Road, Blackwood, NJ 08012-4683, Industrial Holographic and Conventional Laser ID, Omnidirectional Bar Code Scanners, Mar. 2003.
- CV-2100 Series, Keyence America, http://www.keyence.com/products/vision/cv_2100_spec.html, High-Speed Digital Machine Vision System, Dec. 29, 2003.
- West, Perry C., High-Speed, Real-Time Machine Vision, Imagenation and Automated Vision Systems, Inc., 2001.
- Asundi, A., et al., High-Speed TDI Imaging for Peripheral Inspection, Proc. SPIC vol. 2432, Machine Vision Applications in Industrial Inspection III, Frederick Y. Wu, Stephen S. Wilson, Eds., Mar. 1995, pp. 189-194.
- Baillard, C., et al., Automatic Reconstruction of Piecewise Planar Models from Multiple Views, CVPR, vol. 02, No. 2, 1999, pp. 2559.
- Kim, Zuwhan et al., Automatic Description of Complex Buildings with Multiple Images, IEEE 0-7695-0813, 2000, pp. 155-162.
- Siemens AG, Simatic Machine Vision, Simatic VS 100 Series, www.siemens.com/machine-vision, Apr. 1, 2003.
- Stauffer, Chris et al., Tracking-Based Automatic Object Recognition, Artificial Intelligence Laboratory, Massachusetts Institute of Technology, Cambridge, MA <http://www.ai.mit.edu>, pp. 133-134.
- Bauberg, A.M. et al., Learning Flexible Models from Image Sequences, University of Leeds, School of Computer Studies, Research Report Series, Report 93.36, Oct. 1993, pp. 1-13.

* cited by examiner

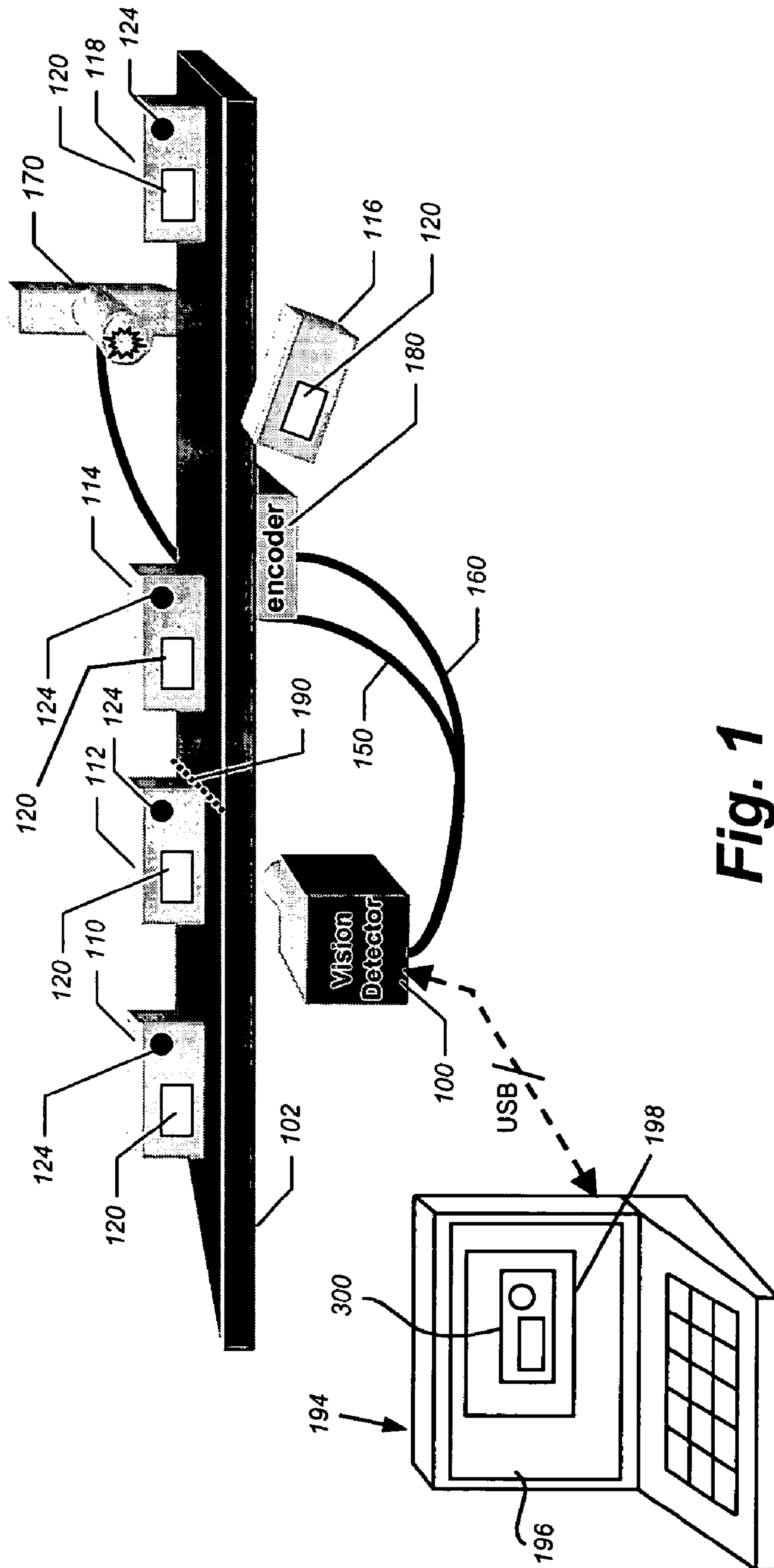


Fig. 1

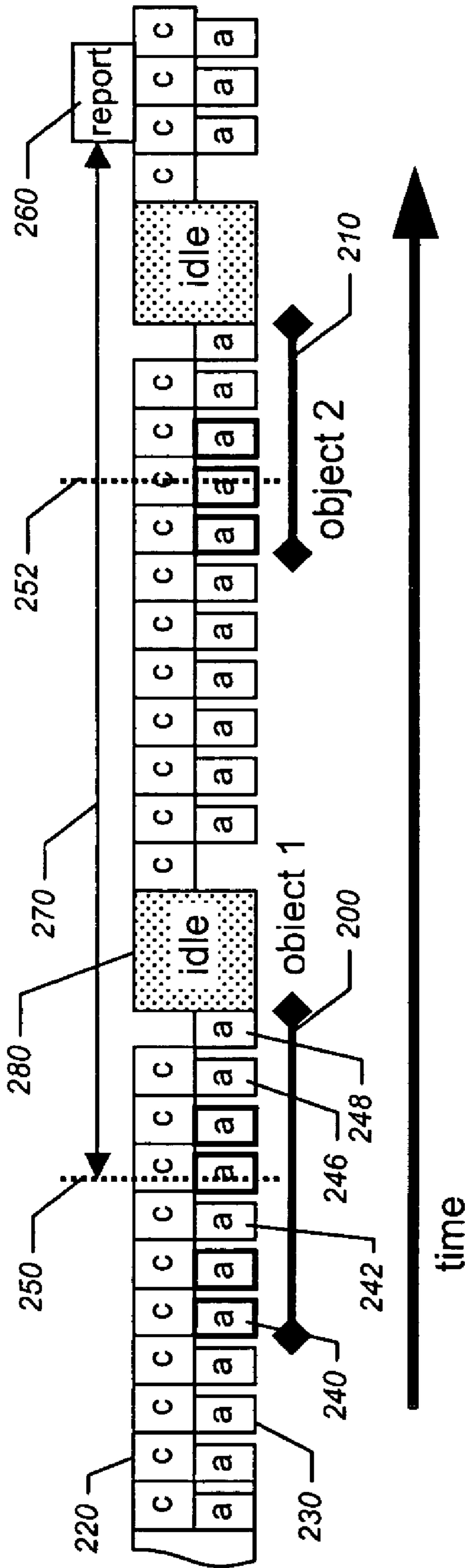


Fig. 2

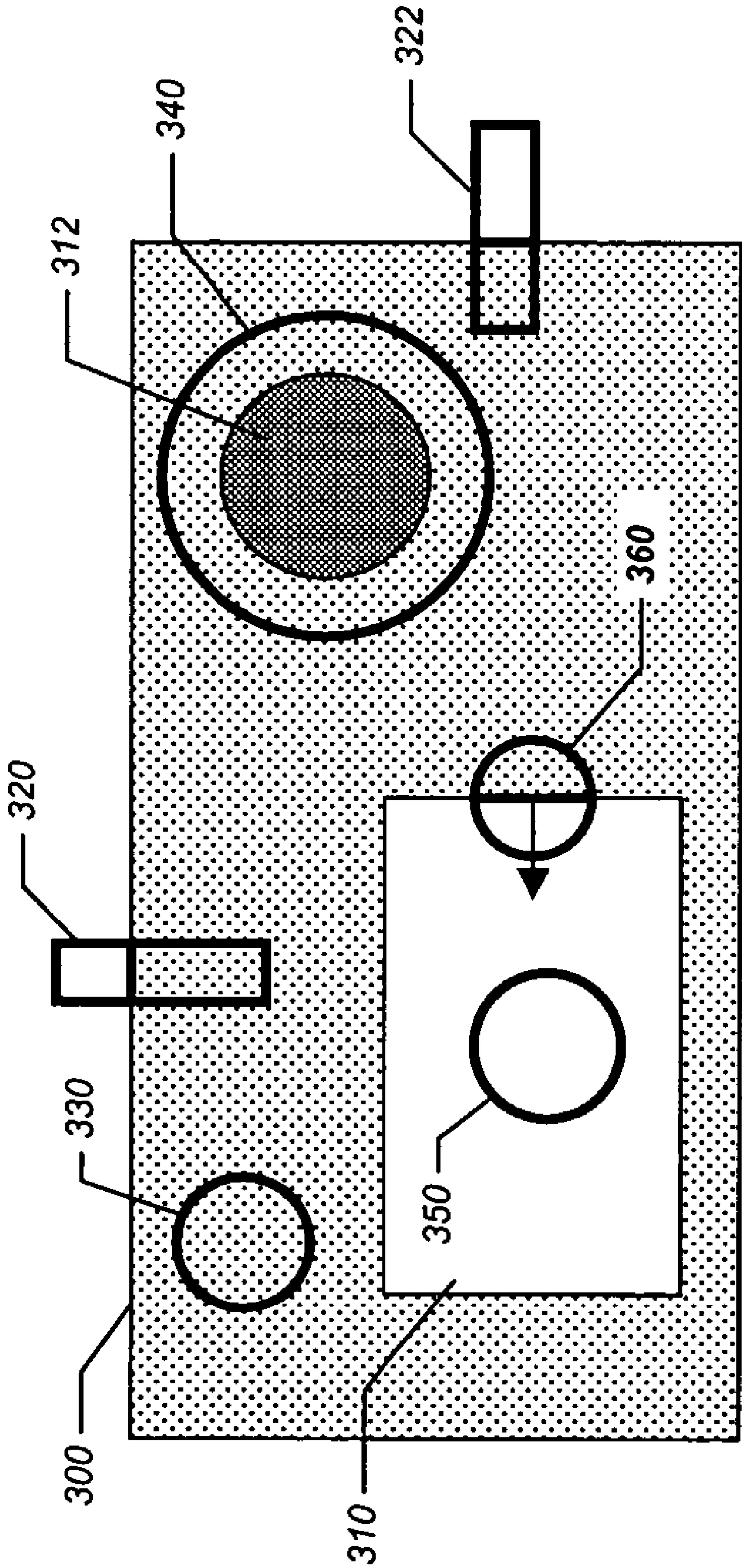


Fig. 3

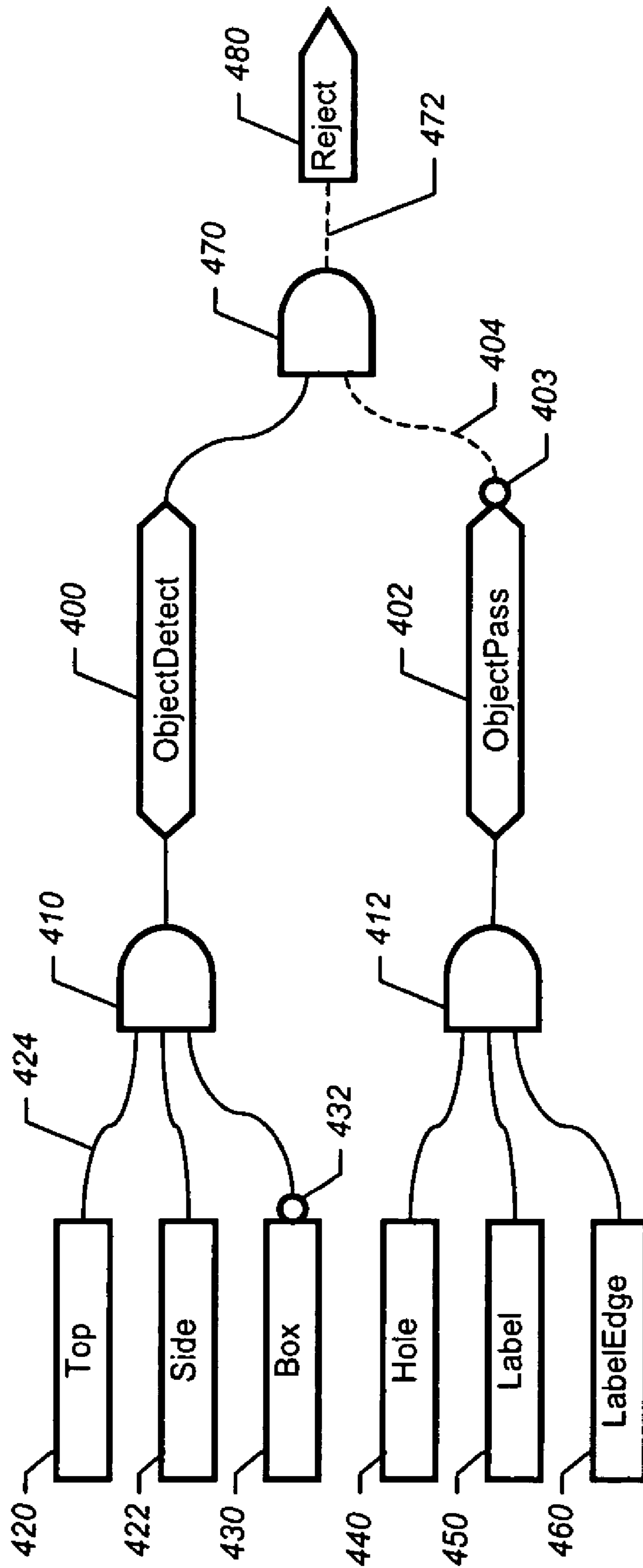


Fig. 4

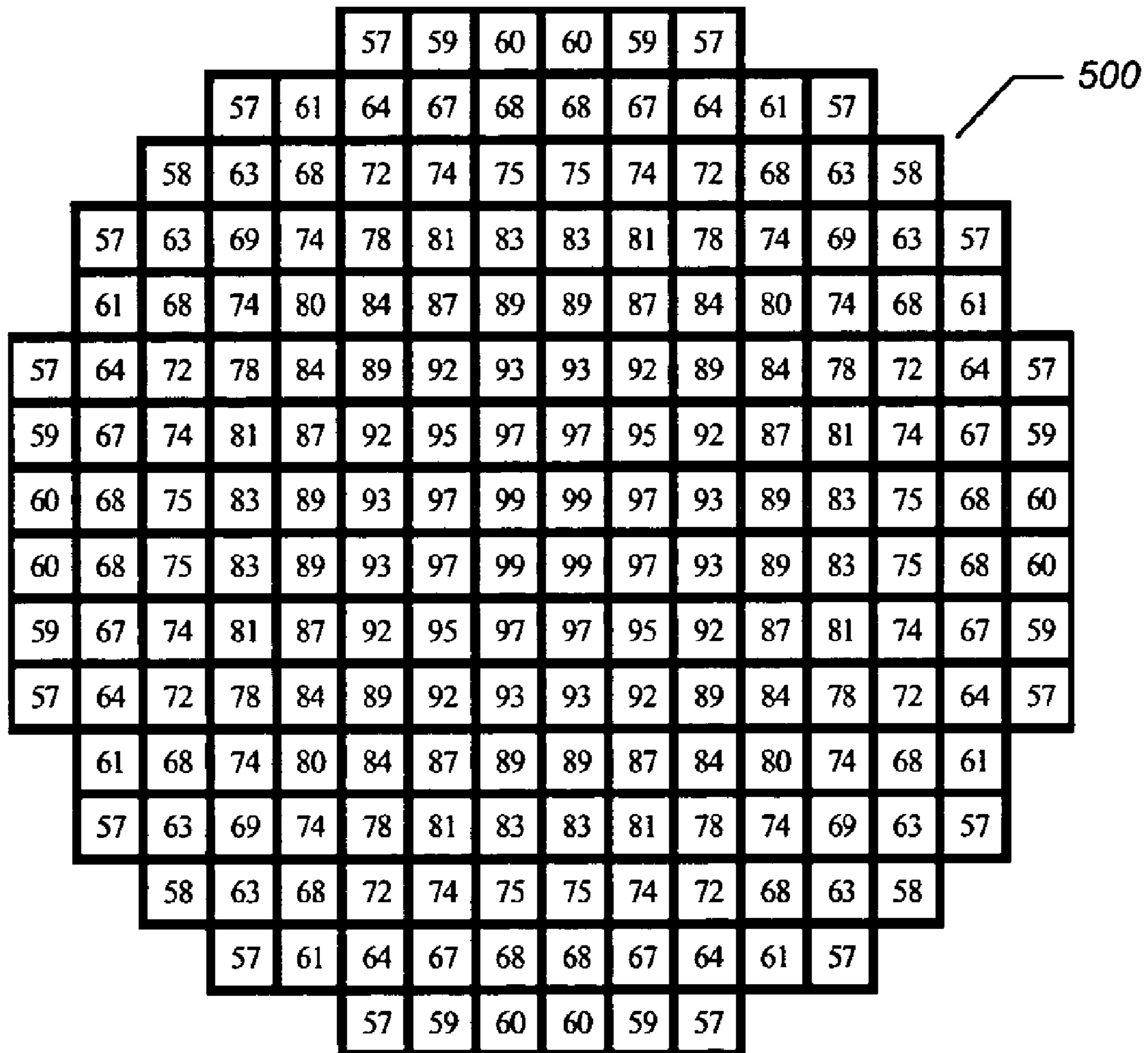


Fig. 5

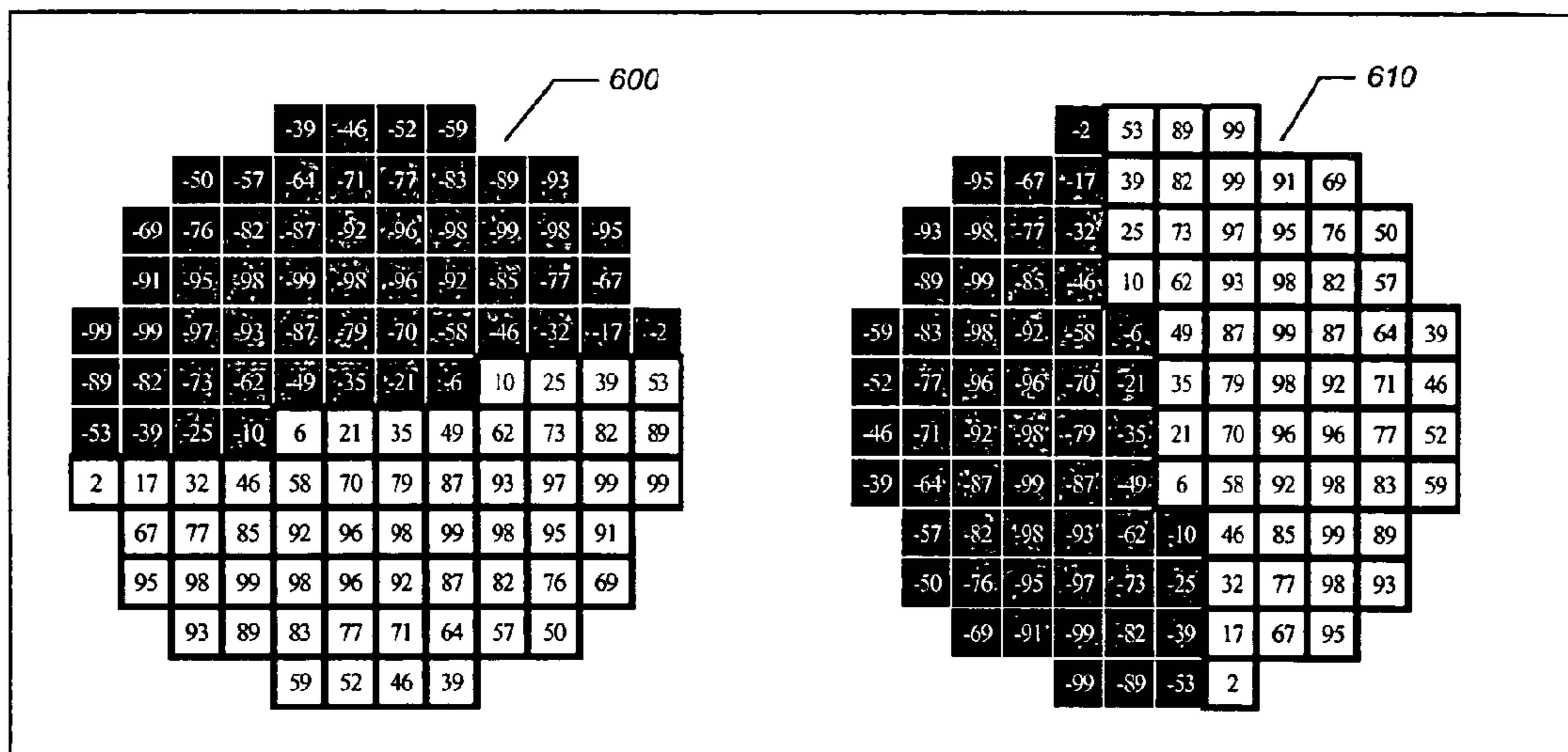


Fig. 6

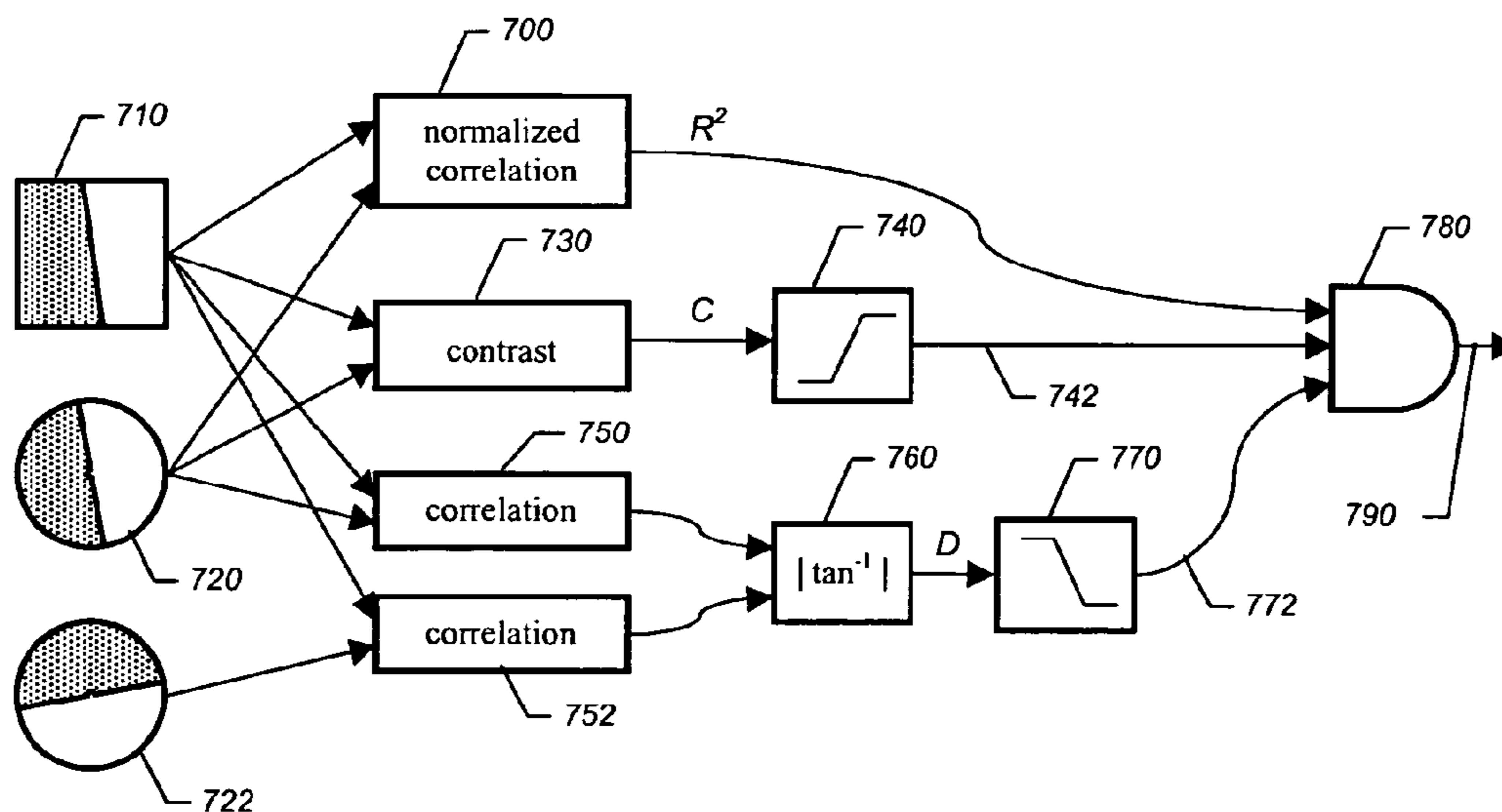


Fig. 7

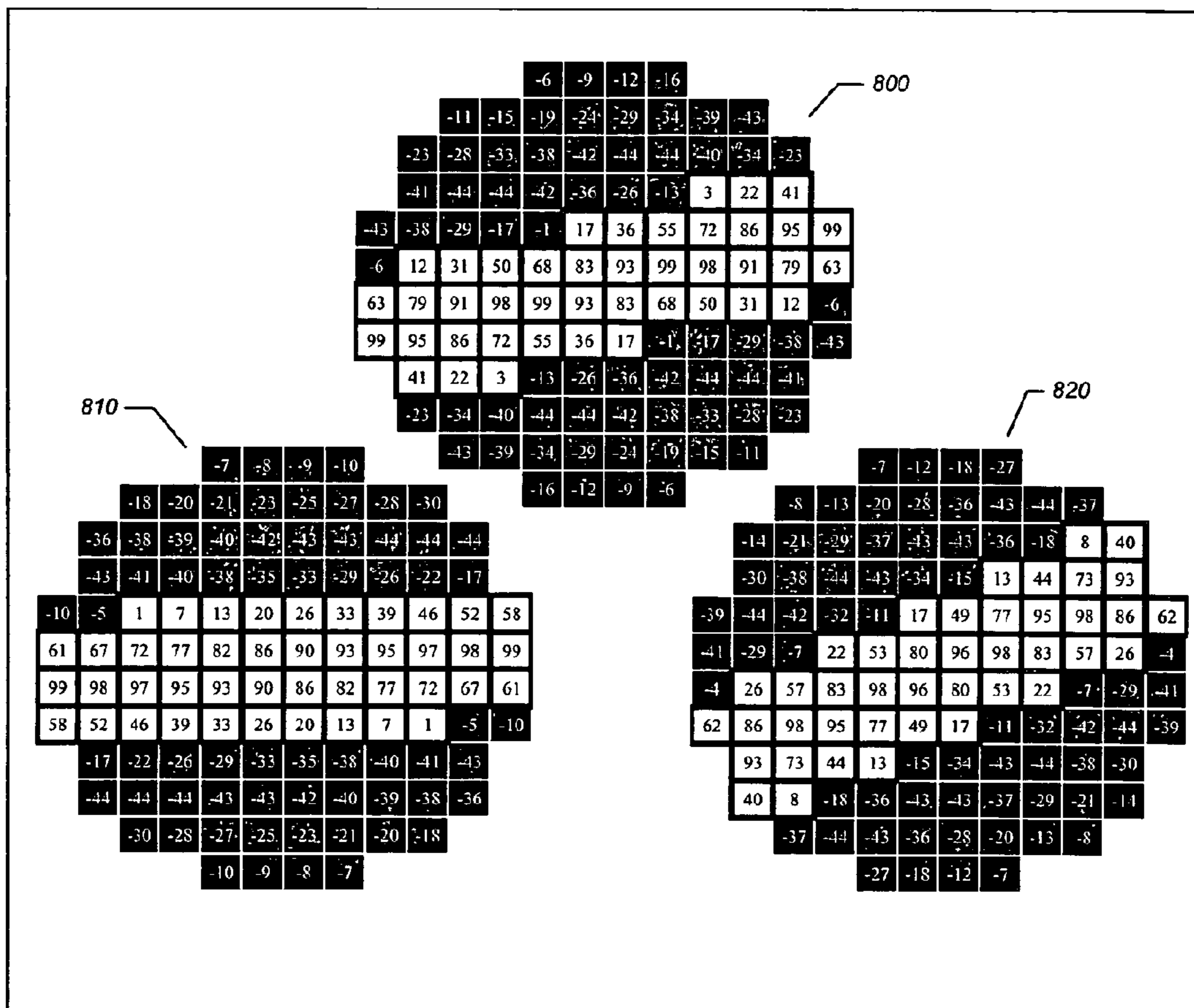


Fig. 8

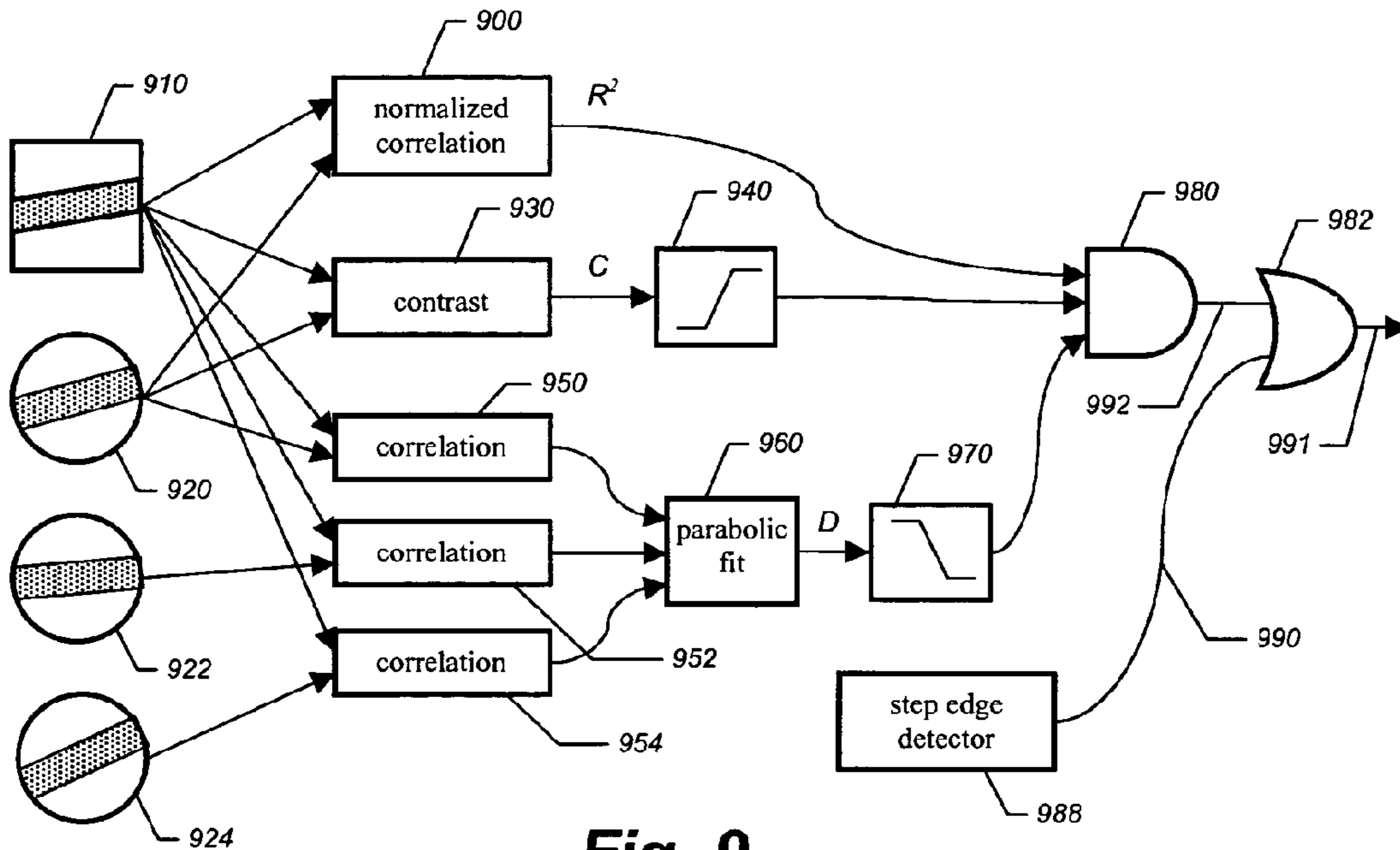


Fig. 9

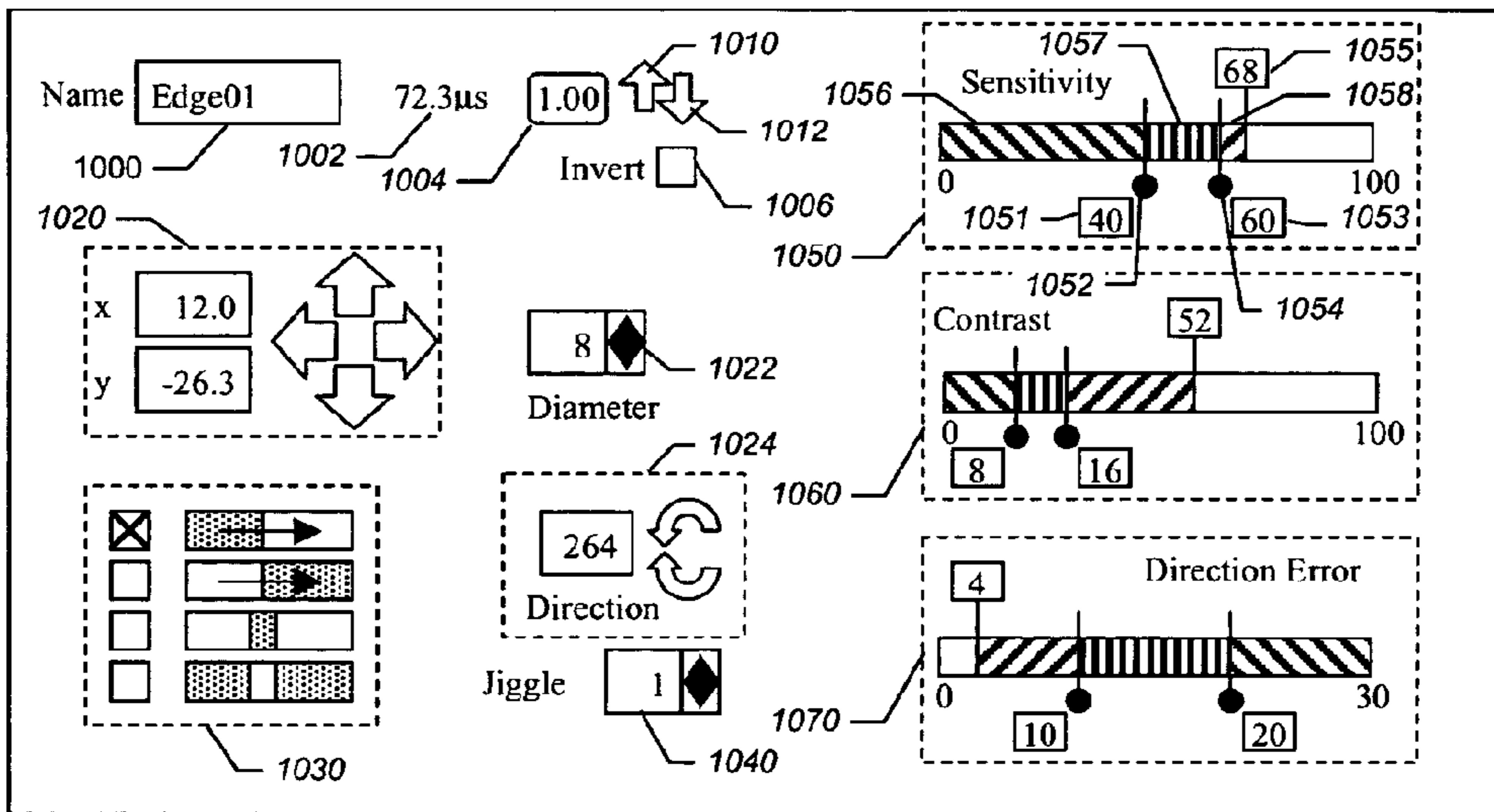


Fig. 10

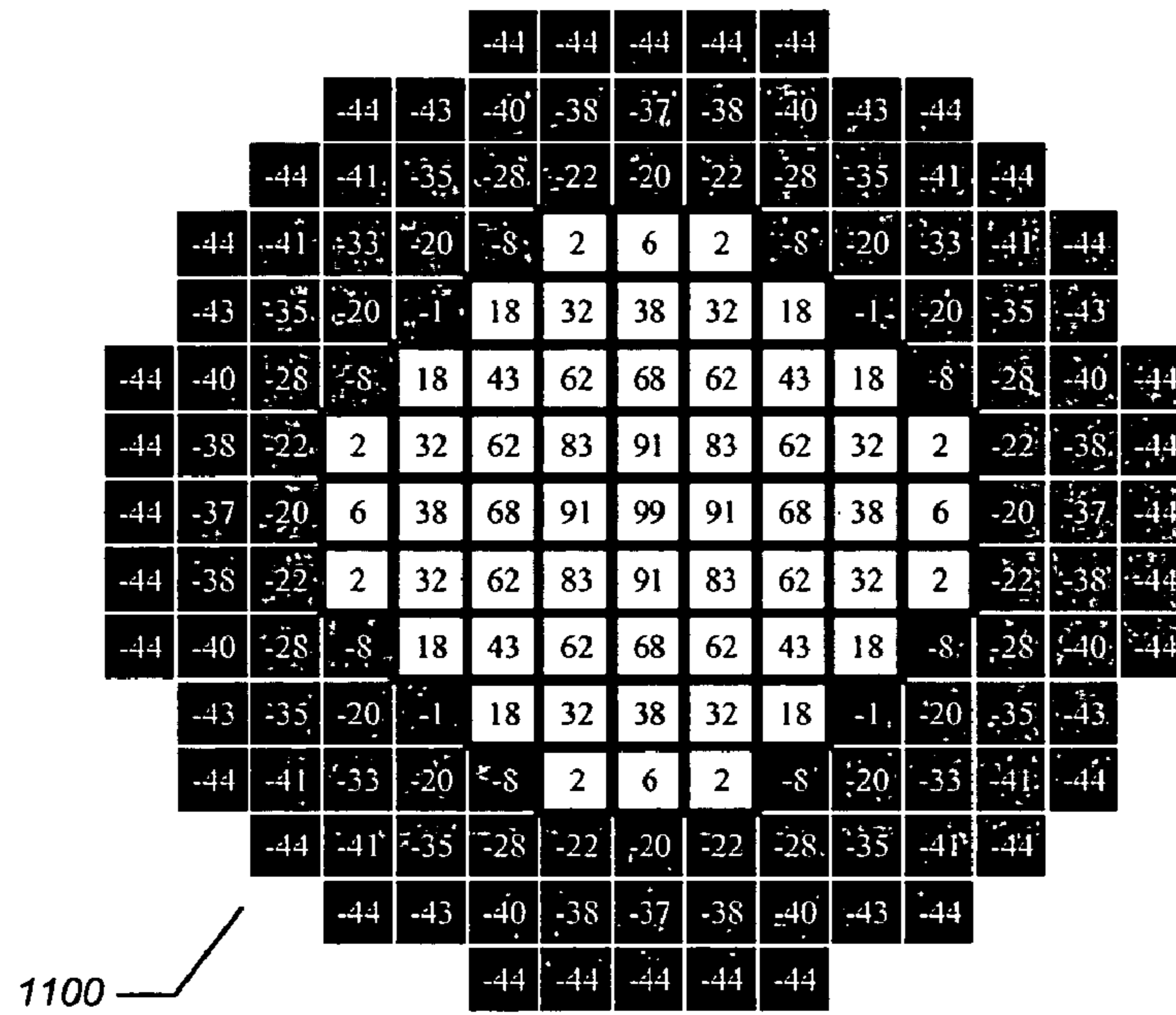


Fig. 11

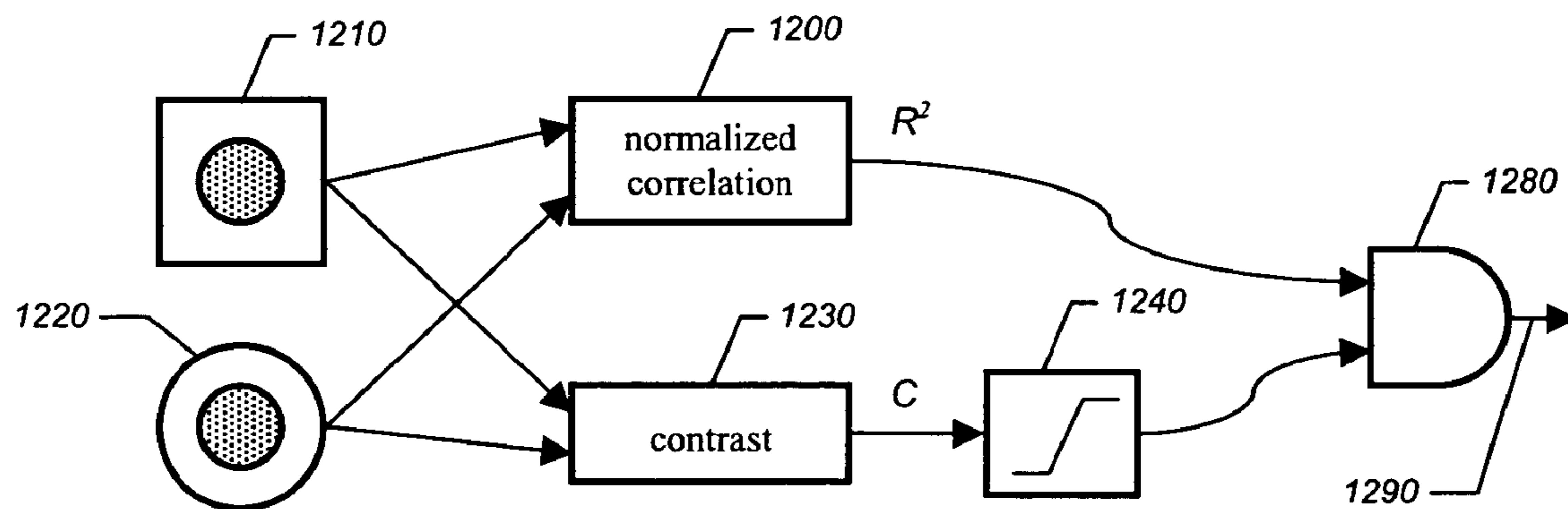


Fig. 12

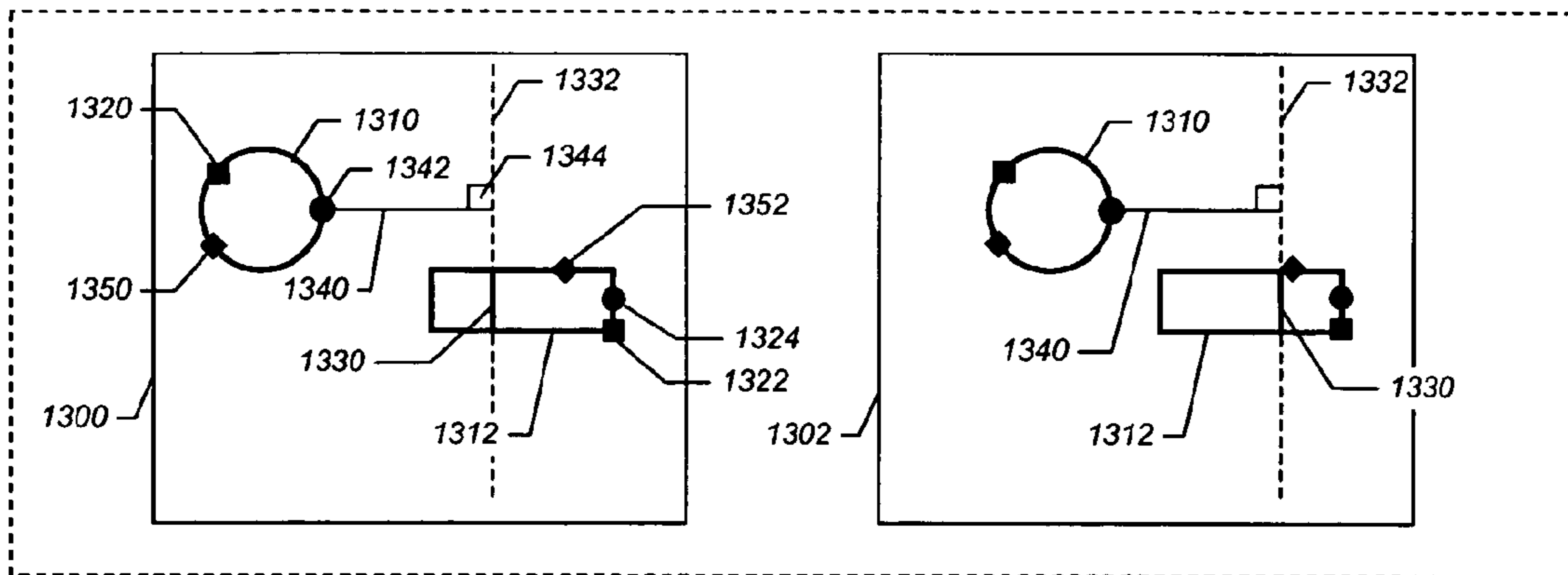


Fig. 13

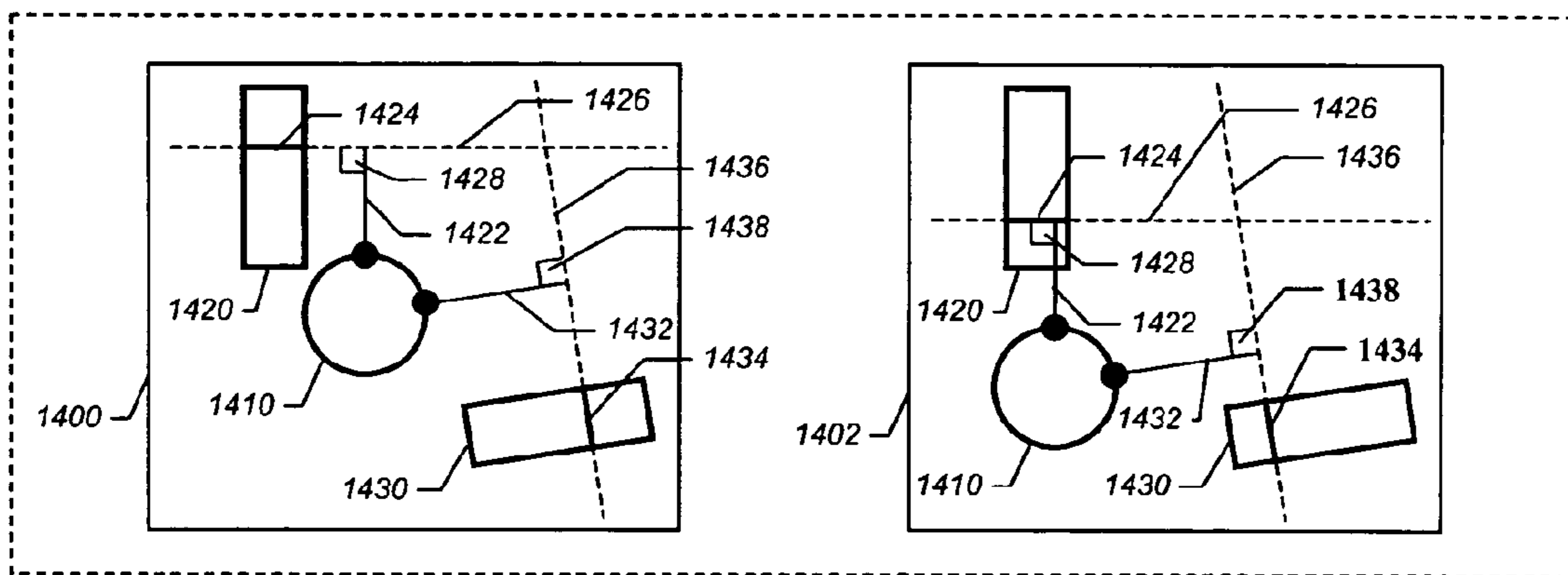


Fig. 14

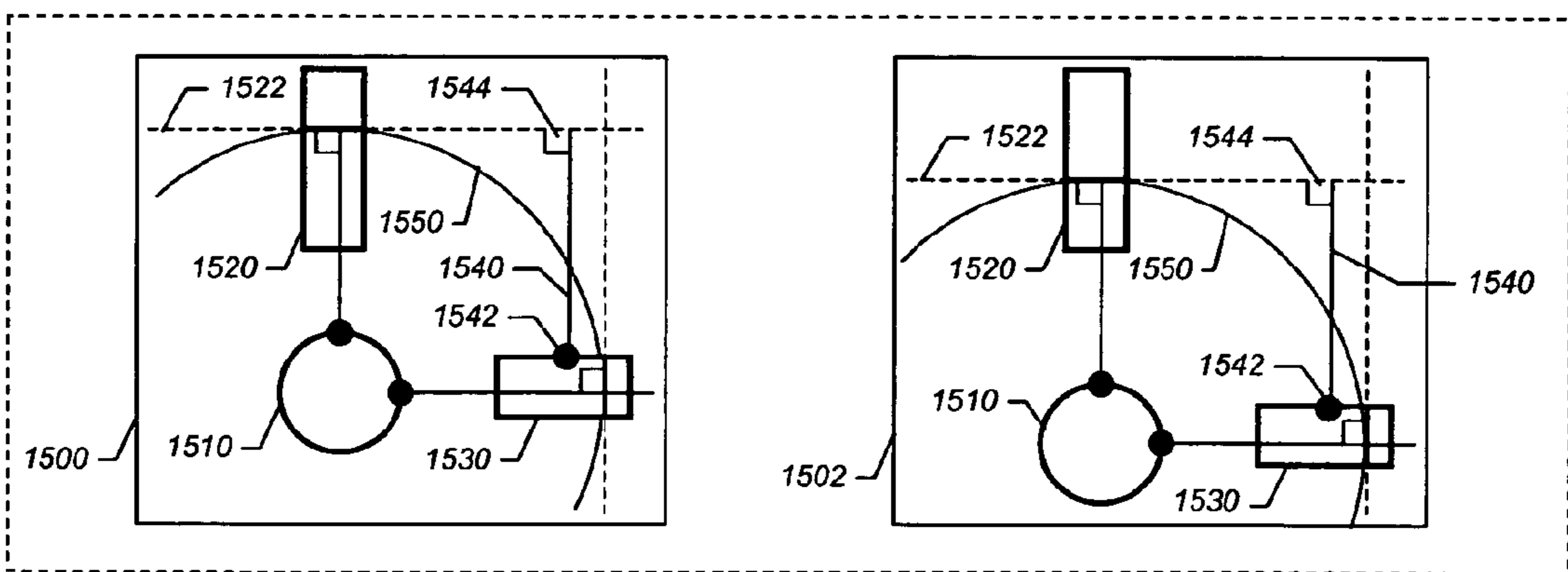


Fig. 15

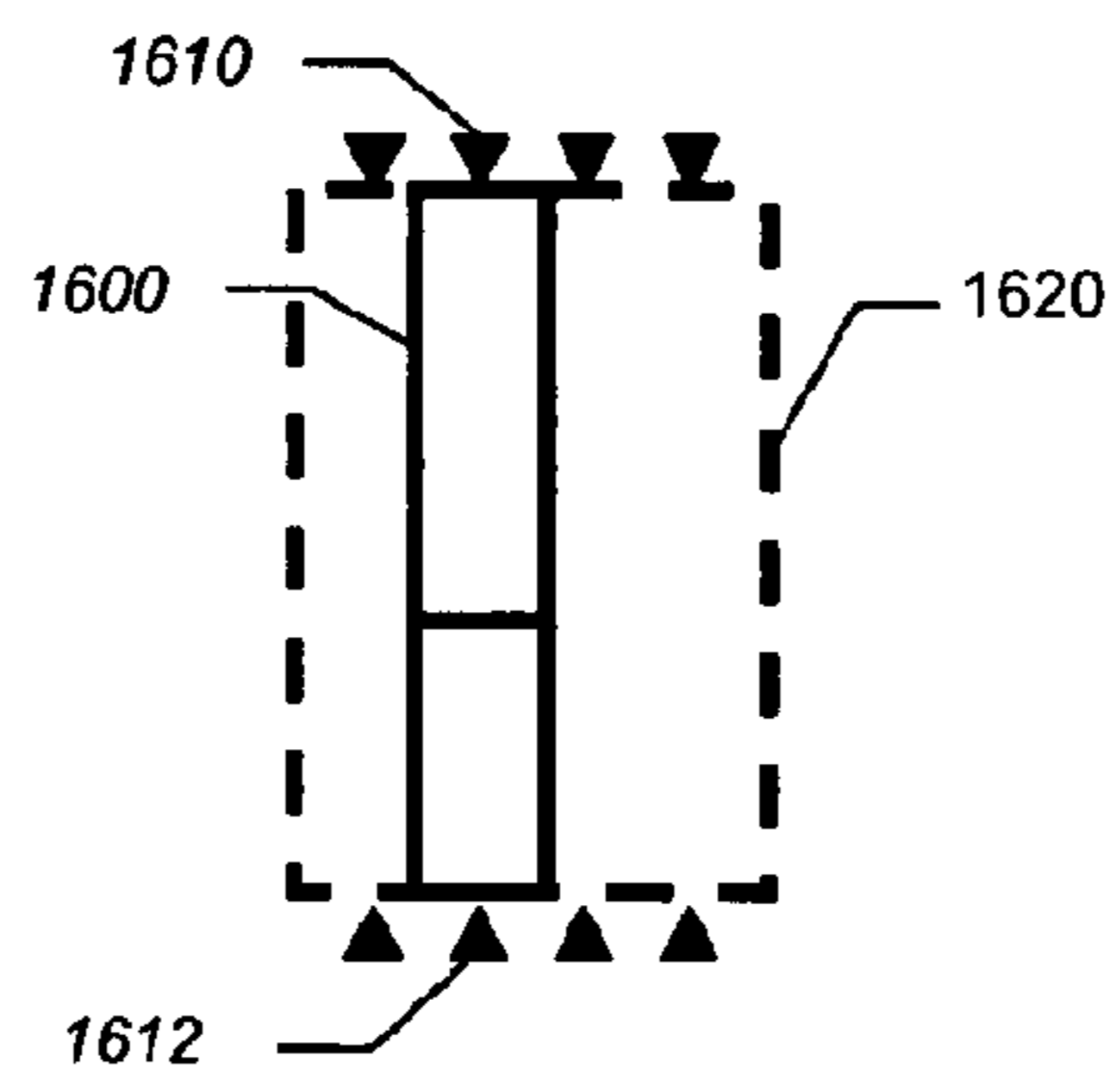


Fig. 16

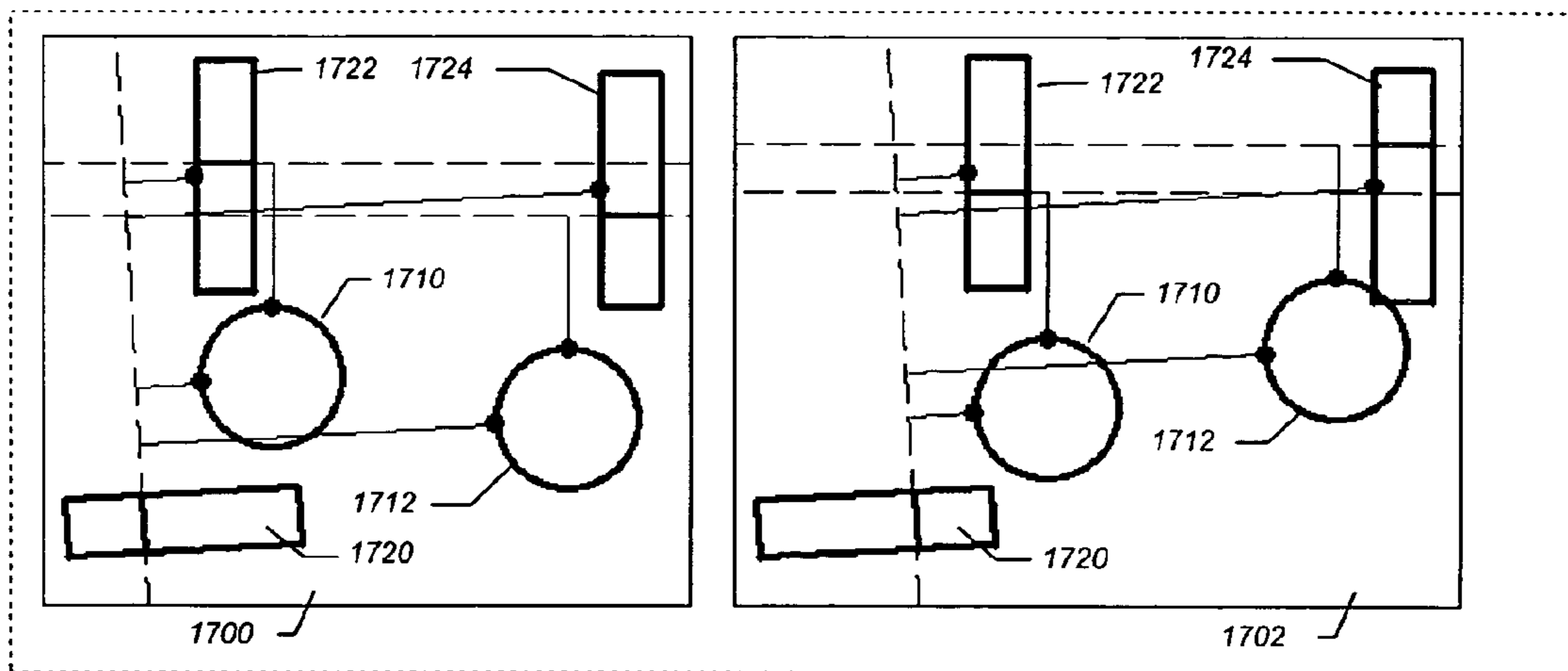


Fig. 17

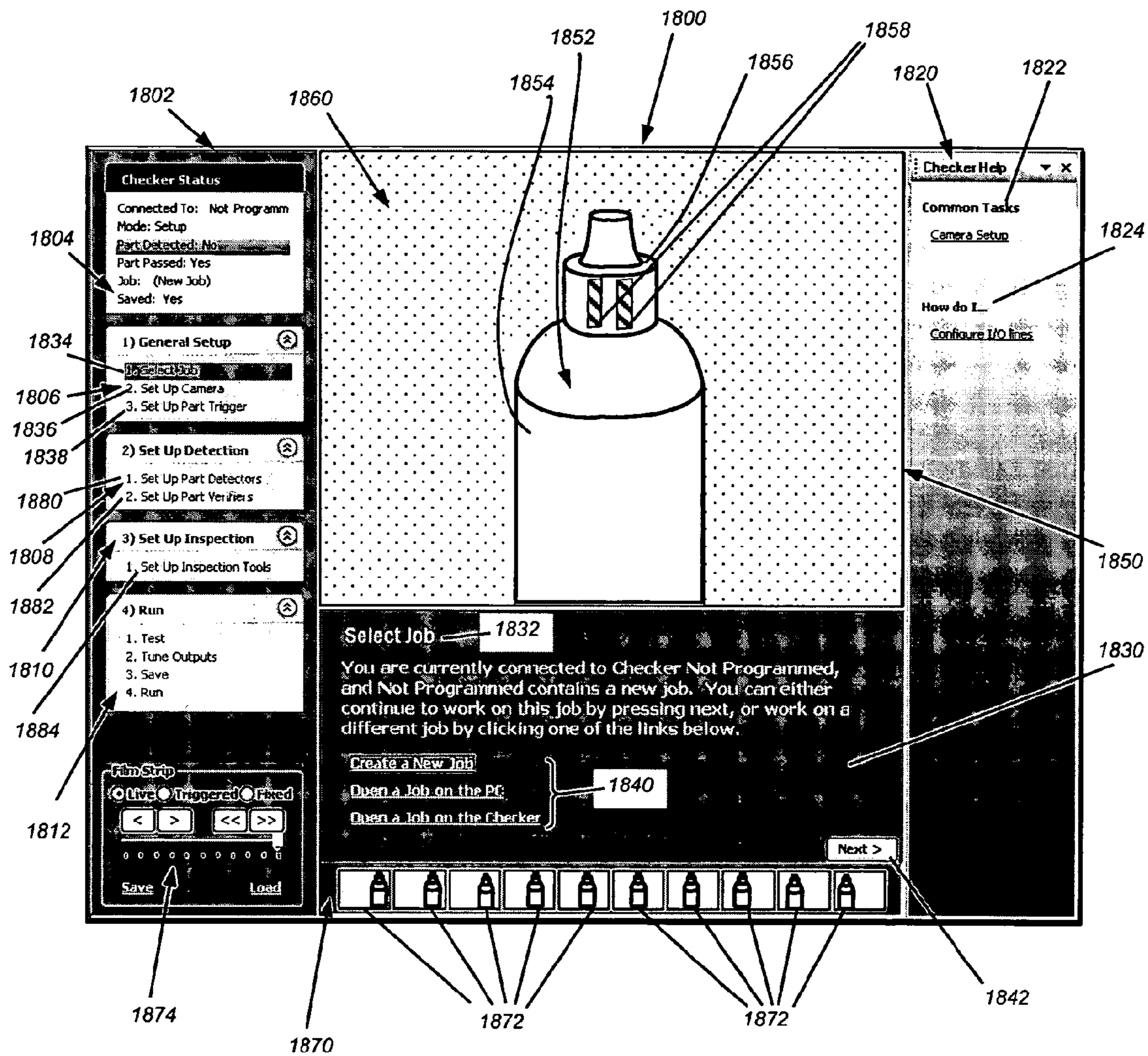


Fig. 18

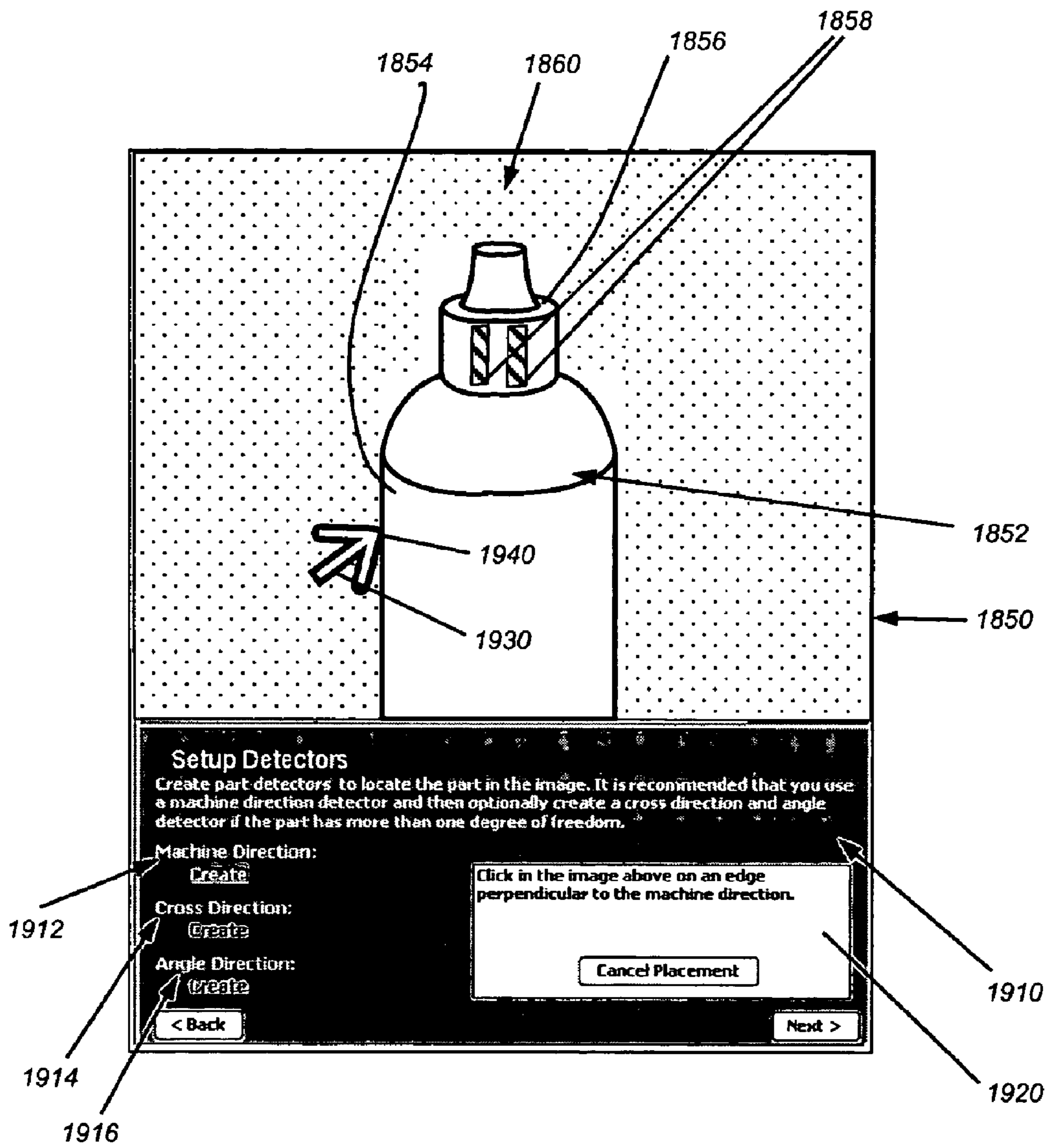


Fig. 19

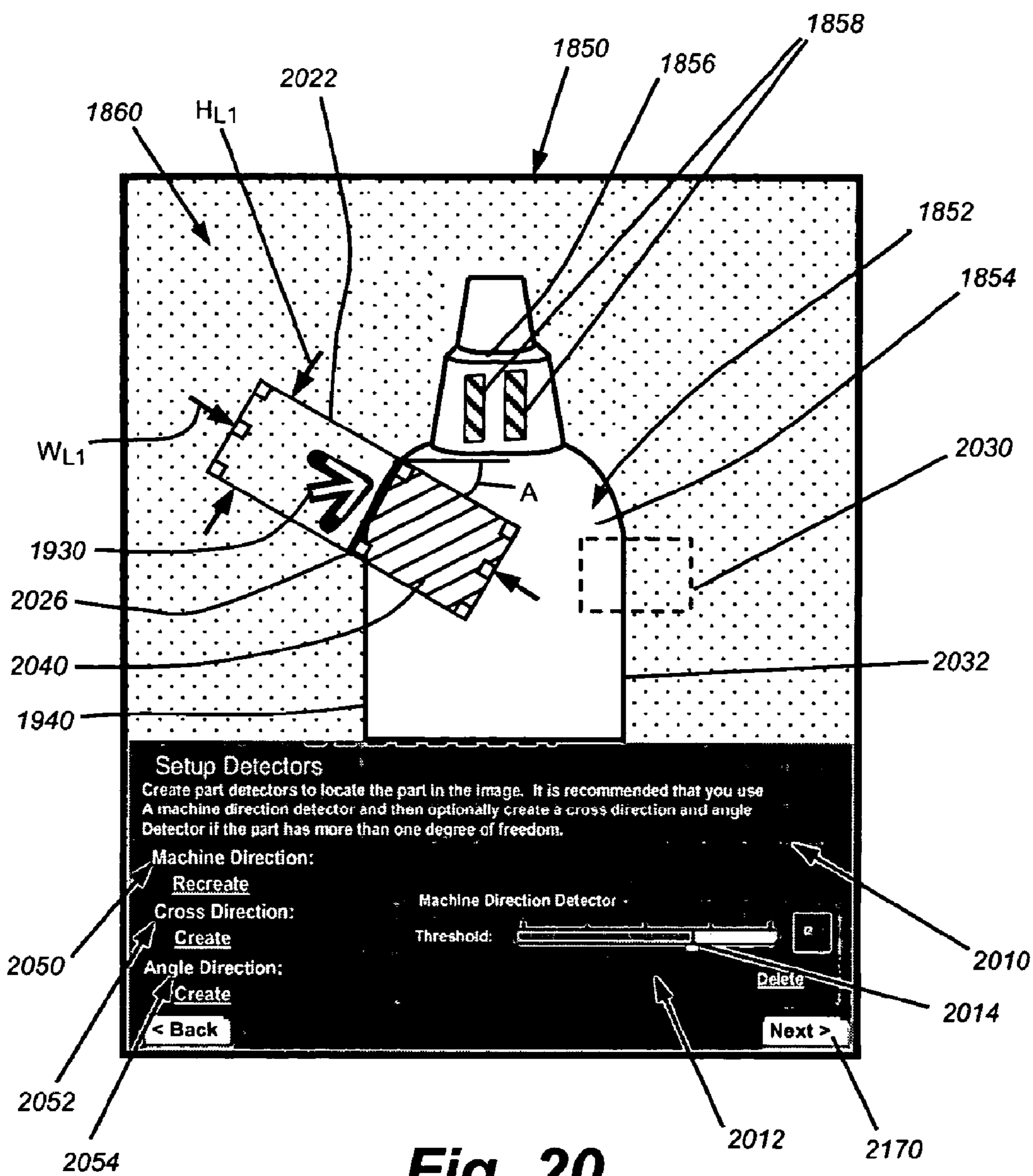


Fig. 20

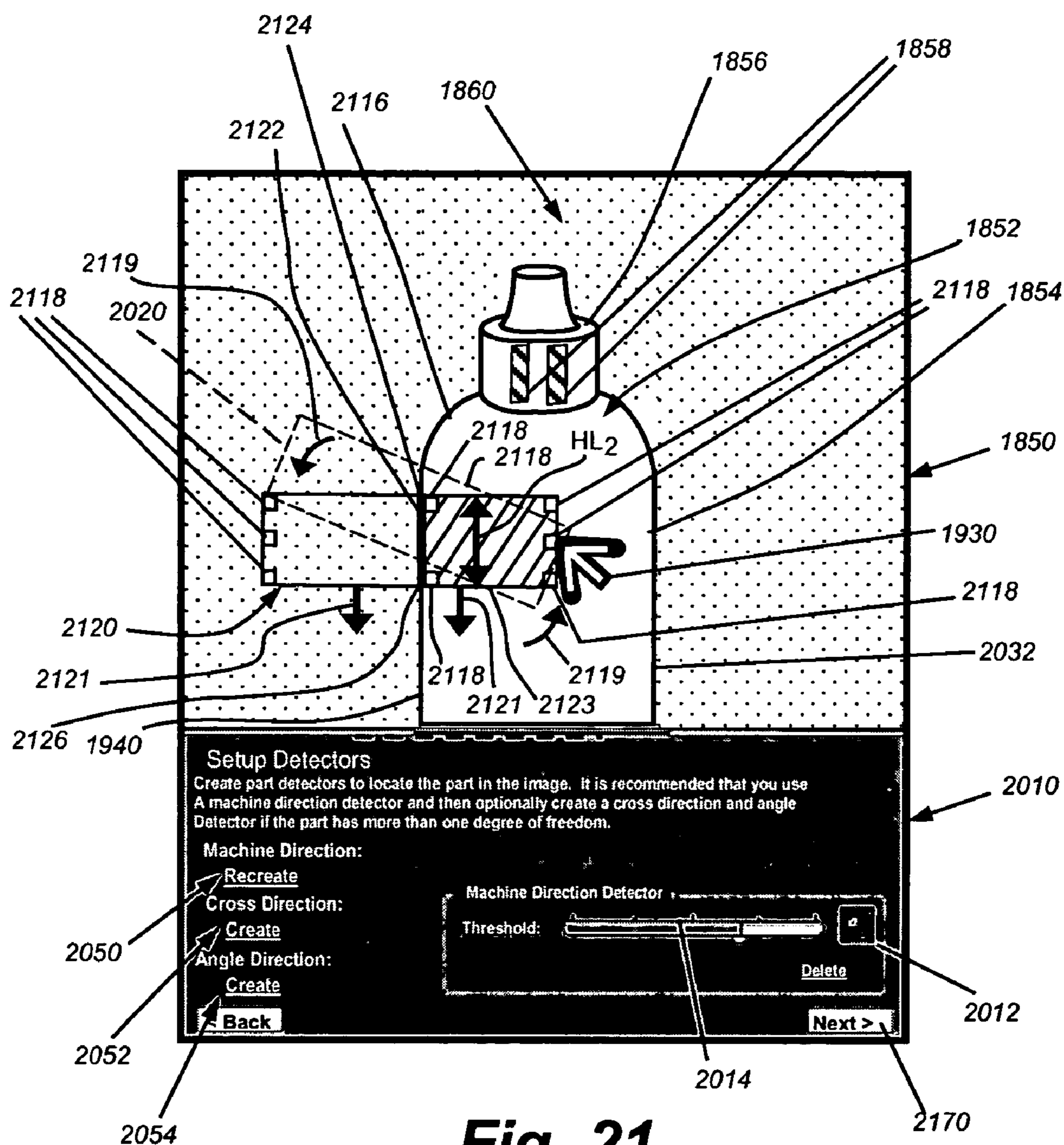


Fig. 21

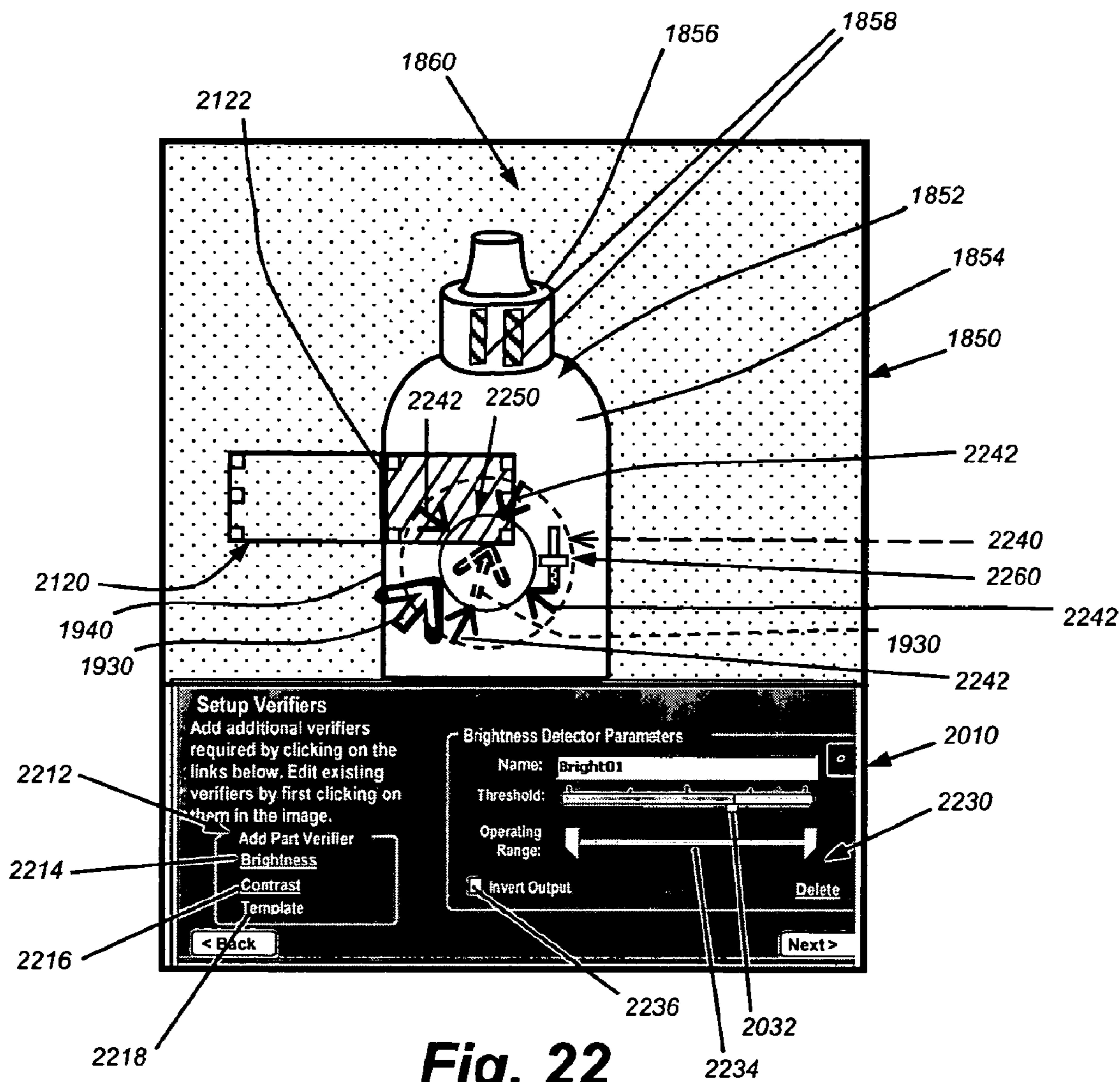


Fig. 22

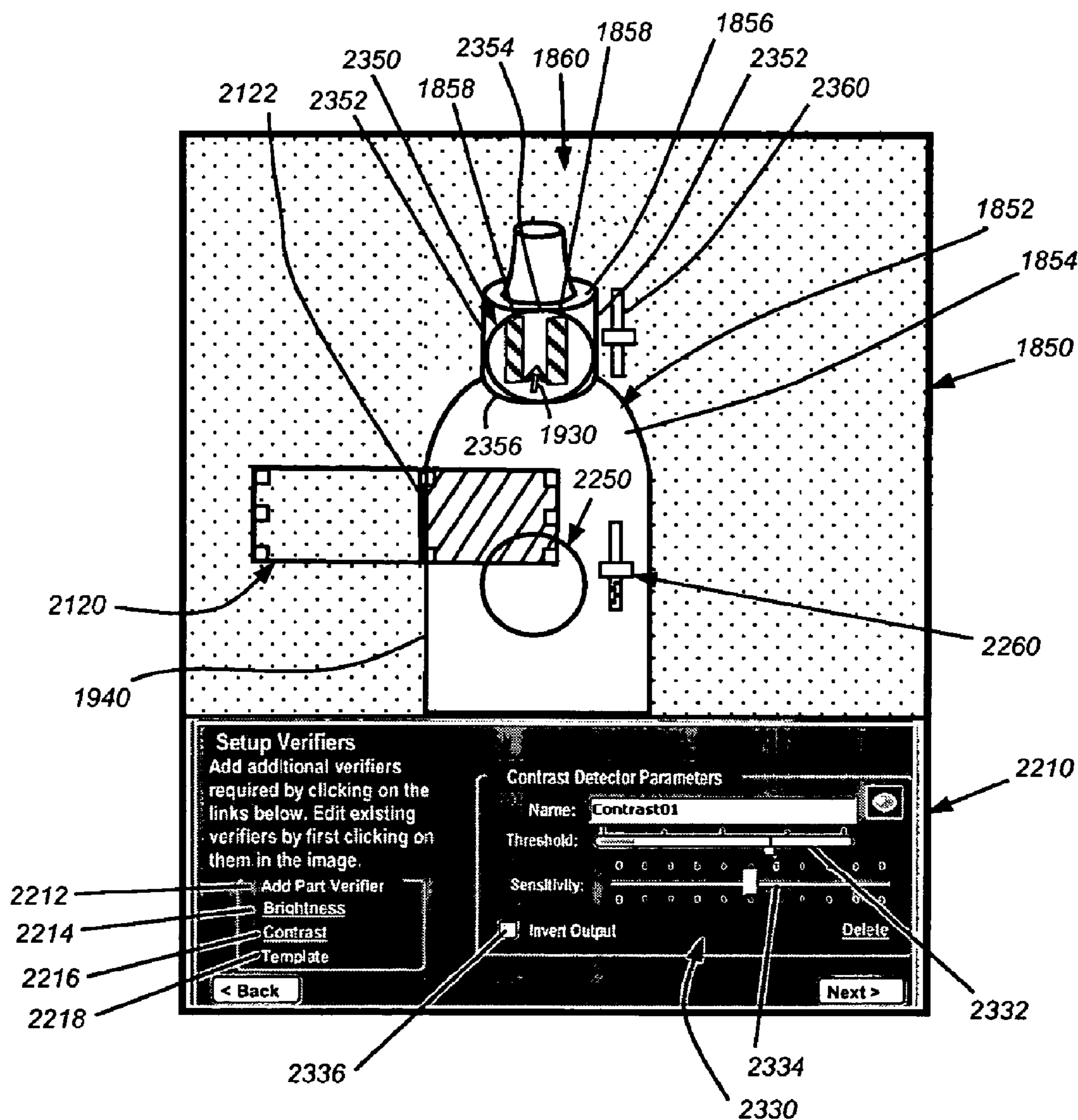


Fig. 23

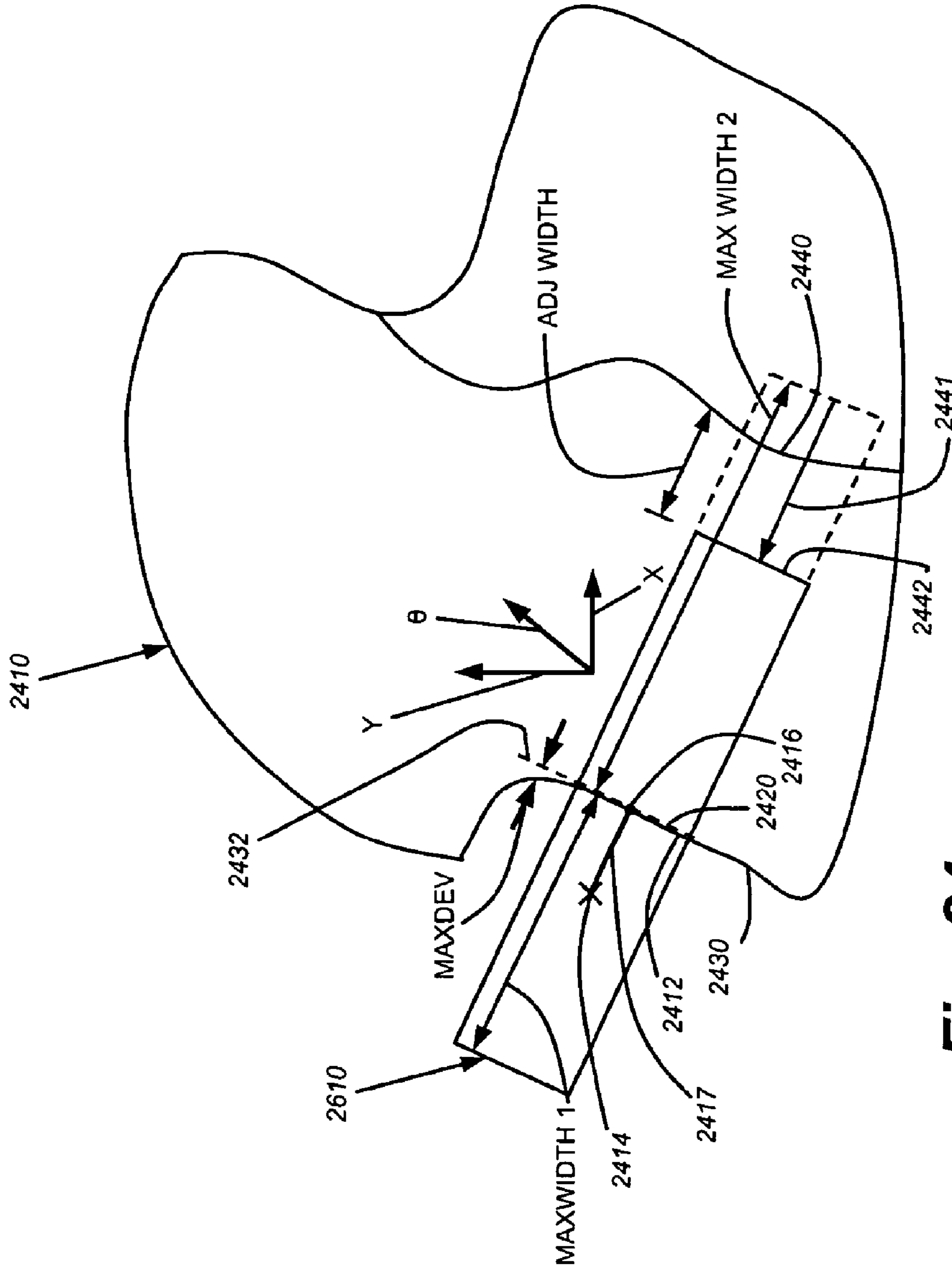


Fig. 24

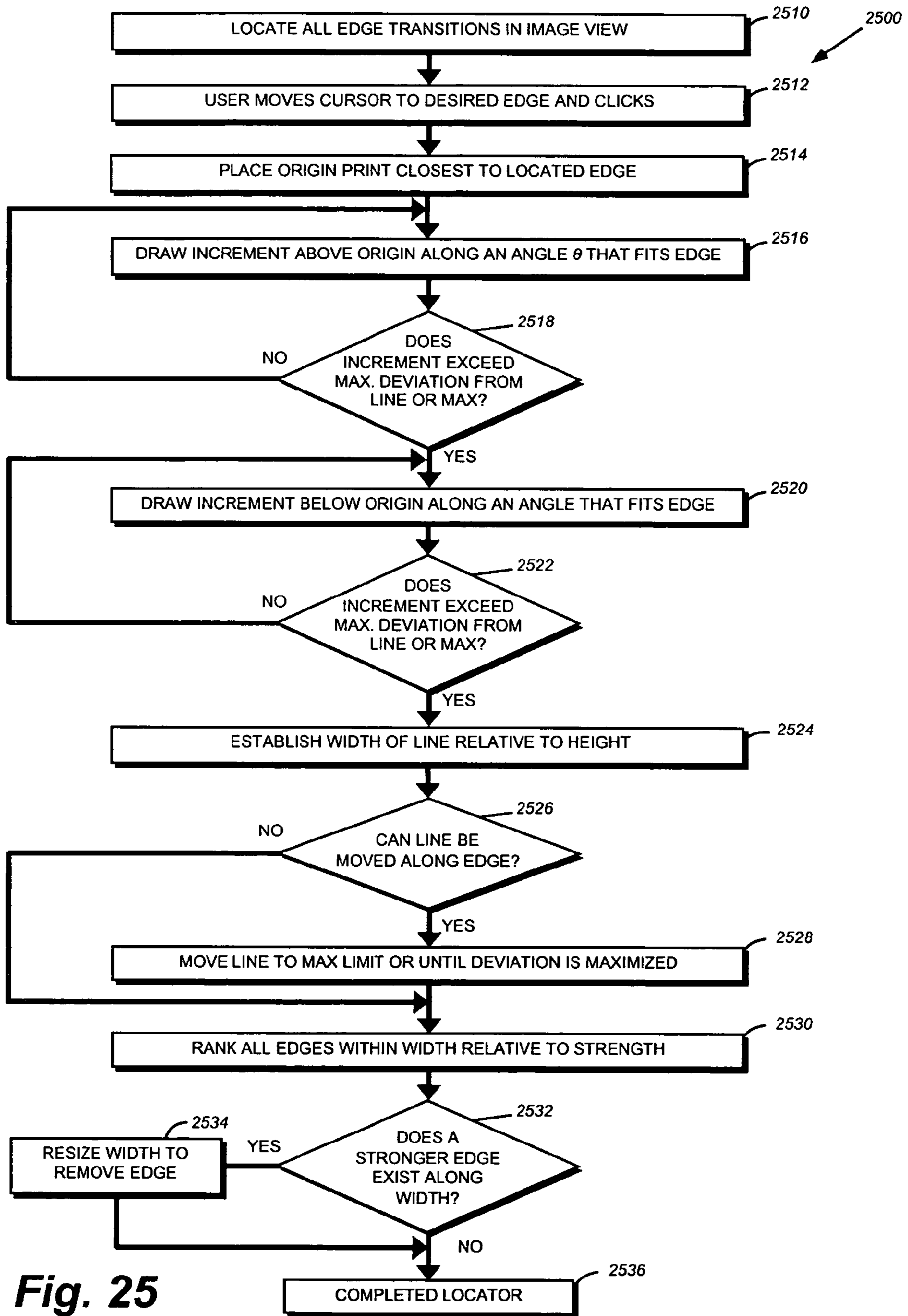


Fig. 25

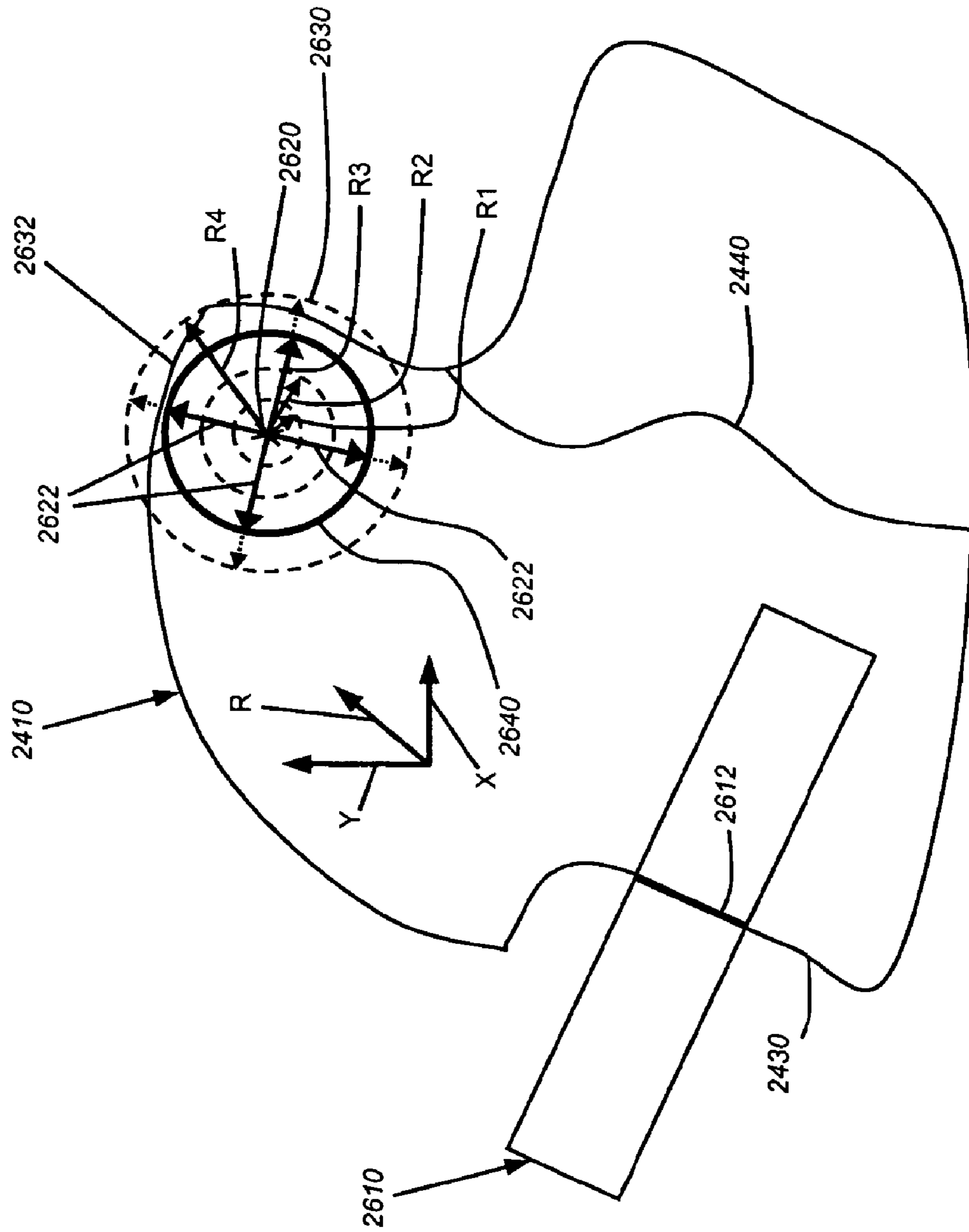


Fig. 26

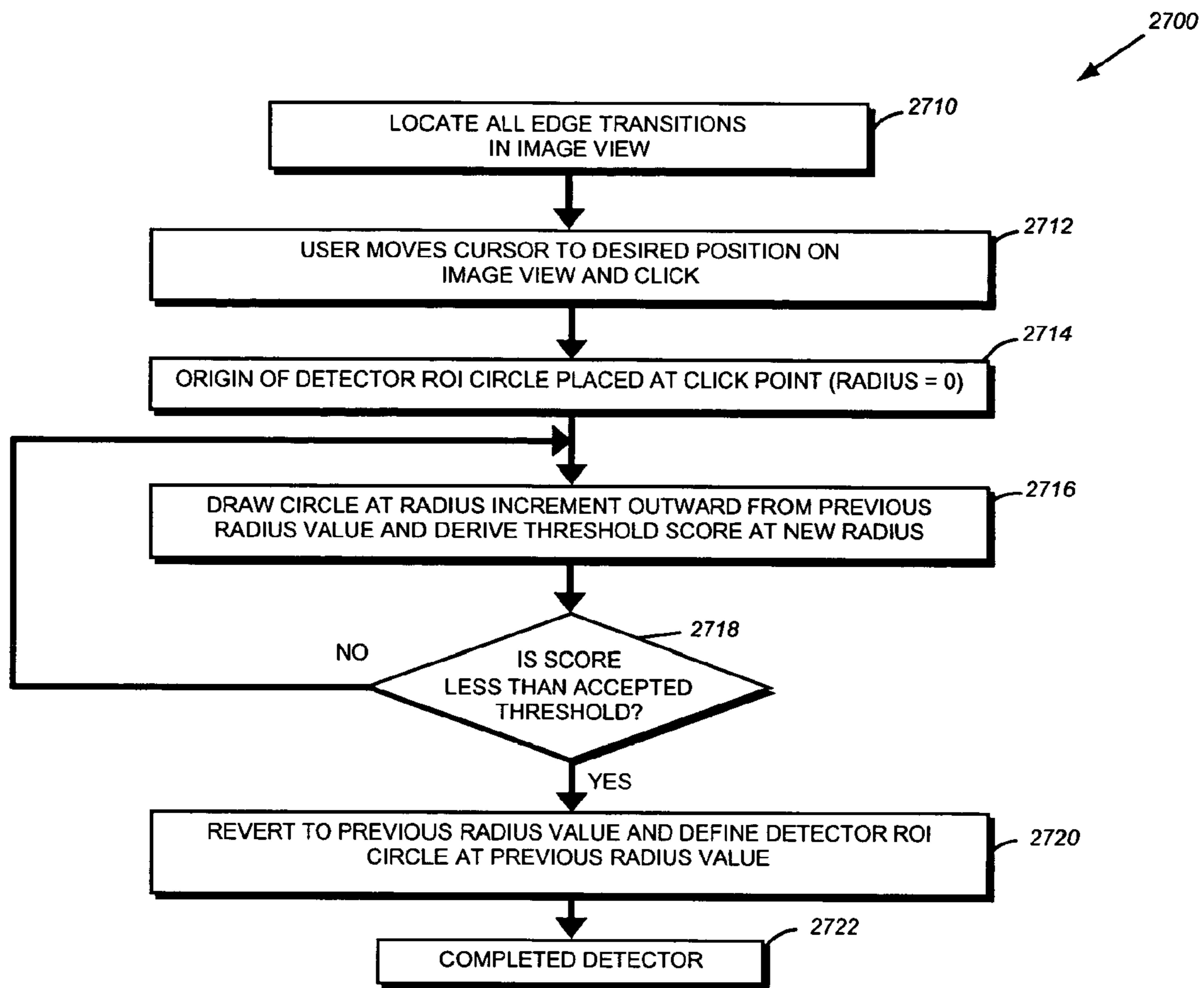


Fig. 27

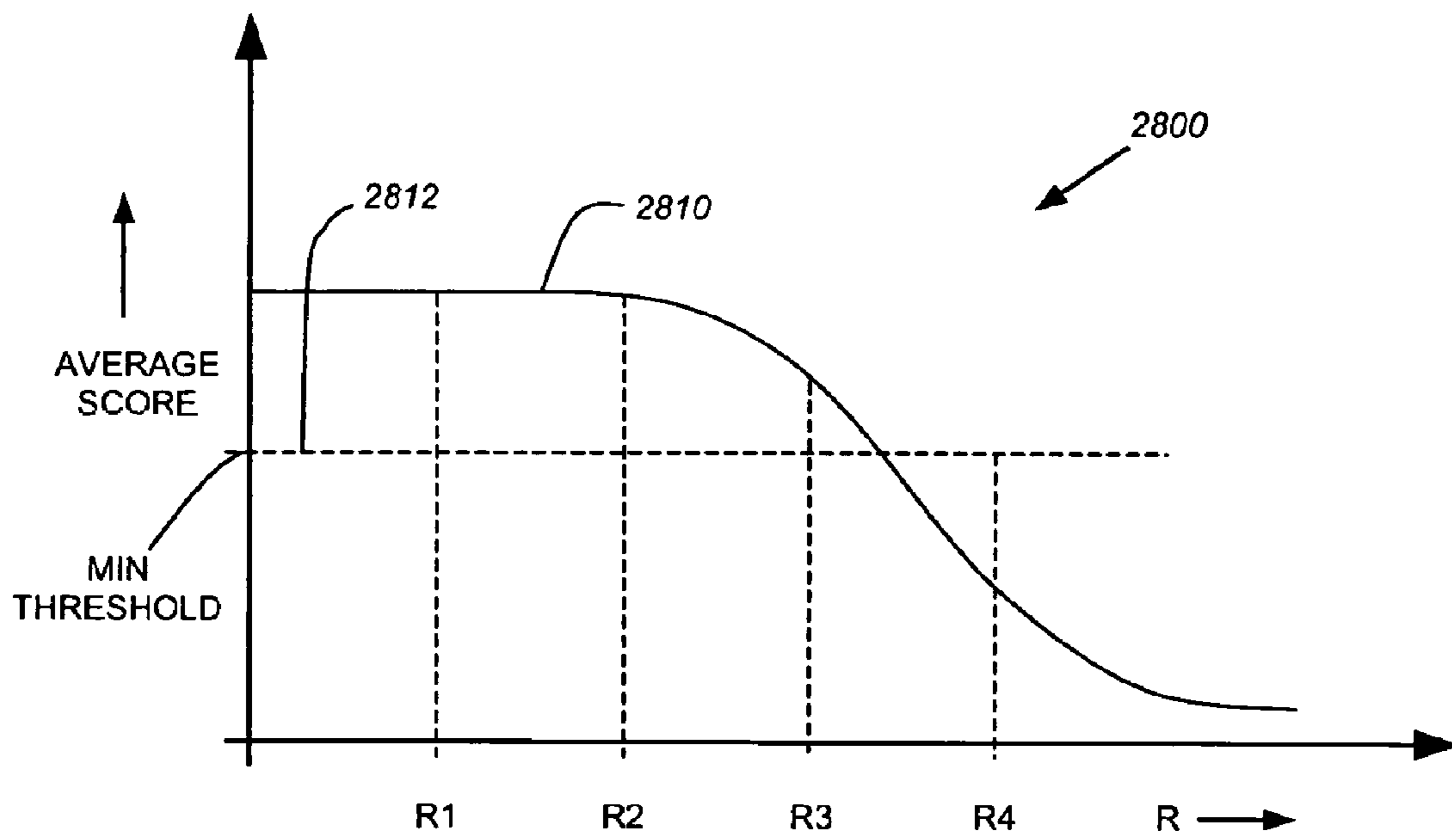


Fig. 28

1

**SYSTEM AND METHOD FOR ASSIGNING
ANALYSIS PARAMETERS TO VISION
DETECTOR USING A GRAPHICAL
INTERFACE**

Matter enclosed in heavy brackets [] appears in the original patent but forms no part of this reissue specification; matter printed in italics indicates the additions made by reissue.

RELATED APPLICATION

This application is related to copending and commonly assigned U.S. patent application Ser. No. 10/865,155, entitled METHOD AND APPARATUS FOR VISUAL DETECTION AND INSPECTION OF OBJECTS, by William M. Silver, filed Jun. 9, 2004, the teachings of which are expressly incorporated herein by reference.

FIELD OF THE INVENTION

This invention relates to automated detection and inspection of objects being manufactured on a production line, and more particularly to setup systems and methods for such automated detection and inspection.

BACKGROUND OF THE INVENTION

Industrial manufacturing relies on automatic inspection of objects being manufactured. One form of automatic inspection that has been in common use for decades is based on optoelectronic technologies that use electromagnetic energy, usually infrared or visible light, photoelectric sensors, and some form of electronic decision making.

One well-known form of optoelectronic automatic inspection uses an arrangement of photodetectors. A typical photodetector has a light source and a single photoelectric sensor that responds to the intensity of light that is reflected by a point on the surface of an object, or transmitted along a path that an object may cross. A user-adjustable sensitivity threshold establishes a light intensity above which (or below which) an output signal of the photodetector will be energized.

One photodetector, often called a gate, is used to detect the presence of an object to be inspected. Other photodetectors are arranged relative to the gate to sense the light reflected by appropriate points on the object. By suitable adjustment of the sensitivity thresholds, these other photodetectors can detect whether certain features of the object, such as a label or hole, are present or absent. A decision as to the status of the object (for example, pass or fail) is made using the output signals of these other photodetectors at the time when an object is detected by the gate. This decision is typically made by a programmable logic controller (PLC), or other suitable electronic equipment.

Automatic inspection using photodetectors has various advantages. Photodetectors are inexpensive, simple to set up, and operate at very high speed (outputs respond within a few hundred microseconds of the object being detected, although a PLC will take longer to make a decision).

Automatic inspection using photodetectors has various disadvantages, however, including:

Simple sensing of light intensity reflected from a point on the object is often insufficient for inspection. Instead it may be necessary to analyze a pattern of brightness reflected from an extended area. For example, to detect

2

an edge it may be necessary to analyze a pattern of brightness to see if it corresponds to a transition from a lighter to a darker region.

It may be hard to arrange the photodetectors when many points on an object need to be inspected. Each such inspection point requires the use of a separate photodetector that needs to be physically mounted in such a way as to not interfere with the placement of the other photodetectors. Interference may be due to space limitations, crosstalk from the light sources, or other factors. Manufacturing lines are usually capable of producing a mix of products, each with unique inspection requirements. An arrangement of photodetectors is very inflexible, so that a line changeover from one product to another would require the photodetectors to be physically moved and readjusted. The cost of performing a line changeover, and the risk of human error involved, often offset the low cost and simplicity of the photodetectors.

Using an arrangement of photodetectors requires that objects be presented at known, predetermined locations so that the appropriate points on the object are sensed. This requirement may add additional cost and complexity that can offset the low cost and simplicity of the photodetectors.

Another well-known form of optoelectronic automatic inspection uses a device that can capture a digital image of a two-dimensional field of view (FOV) in which an object to be inspected is located, and then analyze the image and make decisions. Such a device is usually called a machine vision system, or simply a vision system. The image is captured by exposing a two-dimensional array of photosensitive elements for a brief period, called the integration or shutter time, to light that has been focused on the array by a lens. The array is called an imager and the individual elements are called pixels. Each pixel measures the intensity of light falling on it during the shutter time. The measured intensity values are then converted to digital numbers and stored in the memory of the vision system to form the image, which is analyzed by a digital processing element such as a computer, using methods well-known in the art to determine the status of the object being inspected.

In some cases the objects are brought to rest in the field of view, and in other cases the objects are in continuous motion through the field of view. An event external to the vision system, such as a signal from a photodetector, or a message from a PLC, computer, or other piece of automation equipment, is used to inform the vision system that an object is located in the field of view, and therefore an image should be captured and analyzed. Such an event is called a trigger.

Machine vision systems avoid the disadvantages associated with using an arrangement of photodetectors. They can analyze patterns of brightness reflected from extended areas, easily handle many distinct features on the object, accommodate line changeovers through software systems and/or processes, and handle uncertain and variable object locations.

Machine vision systems have disadvantages compared to an arrangement of photodetectors, including:

They are relatively expensive, often costing ten times more than an arrangement of photodetectors.

They can be difficult to set up, often requiring people with specialized engineering training.

They operate much more slowly than an arrangement of photodetectors, typically requiring tens or hundreds of milliseconds to make a decision. Furthermore, the decision time tends to vary significantly and unpredictably from object to object.

Machine vision systems have limitations that arise because they make decisions based on a single image of each object, located in a single position in the field of view (each object may be located in a different and unpredictable position, but for each object there is only one such position on which a decision is based). This single position provides information from a single viewing perspective, and a single orientation relative to the illumination. The use of only a single perspective often leads to incorrect decisions. It has long been observed, for example, that a change in perspective of as little as a single pixel can in some cases change an incorrect decision to a correct one. By contrast, a human inspecting an object usually moves it around relative to his eyes and the lights to make a more reliable decision.

Also, the limitations of machine vision systems arise in part because they operate too slowly to capture and analyze multiple perspectives of objects in motion, and too slowly to react to events happening in the field of view. Since most vision systems can capture a new image simultaneously with analysis of the current image, the maximum rate at which a vision system can operate is determined by the larger of the capture time and the analysis time. Overall, one of the most significant factors in determining this rate is the number of pixels comprising the imager.

The availability of new low-cost imagers, such as the LM9630 from National Semiconductor of Santa Clara, Calif. that operate at a relatively low-resolution (approximately 100×128 pixels), high frame rate (up to 500 frames per second) and high sensitivity allowing short shutter times with inexpensive illumination (e.g., 300 microseconds with LED illumination), have made possible the implementation of a novel vision detector that employs on-board processors to control machine vision detection and analysis functions. A novel vision detector using such an imager, and overall inspection system employing such a vision detector, is taught in copending and commonly assigned U.S. patent application Ser. No. 10/865,155, entitled METHOD AND APPARATUS FOR VISUAL DETECTION AND INSPECTION OF OBJECTS, by William M. Silver, filed Jun. 9, 2004, and the teachings of which are expressly incorporated herein by reference (herein also termed “above-incorporated-by-reference METHOD AND APPARATUS”).

An advantage to the above-incorporated-by-reference detection and inspection METHOD AND APPARATUS is that the vision detector can be implemented within a compact housing that is programmed using a PC or other Human-Machine Interface (HMI) device (via, for example, a Universal Serial Bus (USB)), and is then deployed to a production line location for normal runtime operation. The outputs of the apparatus are (in one implementation) a pair of basic High/Low lines indicating detection of the object and whether that object passes or fails based upon the characteristics being analyzed. These outputs can be used (for example) to reject a failed object using a rejection arm mounted along the line that is signaled by the apparatus’ output.

By way of example, FIG. 1 shows an illustrative embodiment of a vision detector 100 according to the above-incorporated-by-reference METHOD AND APPARATUS FOR VISUAL DETECTION AND INSPECTION OF OBJECTS inspecting objects on a production line. A conveyor 102 transports objects to cause relative movement between the objects and the field of view (FOV) of vision detector 100. Objects 110, 112, 114, 116 and 118 are shown. In this example, the objects include exemplary features upon which location and inspection are based, including a label 120 and a hole 124. More particularly, the exemplary vision detector 100 detects the presence of an object by visual appearance and inspects it

based on appropriate inspection criteria. If an object is defective (such as the label-less object 116), the vision detector 100 sends a signal via link 150 to a reject actuator 170 to remove the object (116) from the conveyor stream. An encoder 180 operatively related to the motion of the conveyor (or other relative motion) sends a signal 160 to the vision detector 100, which uses it to insure proper delay of signal 150 from the encoder count where the object crosses some fixed, imaginary reference point 190, called the mark point. If an encoder is not used, the delay can be based on time instead.

In an alternate example, the vision detector 100 sends signals to a PLC for various purposes, which may include controlling a reject actuator. In another exemplary implementation, suitable in extremely high-speed applications or where the vision detector cannot reliably detect the presence of an object, a photodetector is used to detect the presence of an object and sends a signal to the vision detector for that purpose. In yet another implementation, there are no discrete objects, but rather material flows past the vision detector continuously—for example a web. In this case the material is inspected continuously, and signals are sent by the vision detector to automation equipment, such as a PLC, as appropriate.

Basic to the function of the vision detector 100 in the above-incorporated-by-reference METHOD AND APPARATUS is the ability to exploit the abilities of the imager’s quick-frame-rate and low-resolution image capture to allow a large number of image frames of an object passing down the line to be captured and analyzed in real-time. Using these frames, the apparatus’ on-board processor can decide when the object is present and use location information to analyze designated areas of interest on the object that must be present in a desired pattern for the object to “pass” inspection.

With brief reference to FIG. 2, a timeline is shown, which illustrates a typical operating cycle for a vision detector in visual event detection mode. A portion 200 of the exemplary timeline corresponds to the inspection of a first object, and contains the capture and analysis of seven frames by the vision detector. A second portion 210 corresponds to the inspection of a second object, and contains five frames.

Boxes labeled “c”, such as box 220, represent image capture by the vision detector 100. Boxes labeled “a”, such as box 230, represent image analysis. It is desirable that capture “c” of the next image be overlapped with analysis “a” of the current image, so that (for example) analysis step 230 analyzes the image captured in capture step 220. In this timeline, analysis is shown as taking less time than capture, but in general analysis will be shorter or longer than capture depending on the application details. If capture and analysis are overlapped, the rate at which a vision detector can capture and analyze images is determined by the longer of the capture time and the analysis time. This is the “frame rate”. The above-incorporated-by-reference METHOD AND APPARATUS allows objects to be detected reliably without a trigger signal, such as that provided by a photodetector.

Each analysis step “a” first considers the evidence that an object is present. Frames where the evidence is sufficient are called active. Analysis steps for active frames are shown with a thick border, for example analysis step 240. In an exemplary implementation, inspection of an object begins when an active frame is found, and ends when some number of consecutive inactive frames are found. In the example of FIG. 2, inspection of the first object begins with the first active frame corresponding to analysis step 240, and ends with two consecutive inactive frames, corresponding to analysis steps 246

and **248**. Note that for the first object, a single inactive frame corresponding to analysis step **242** is not sufficient to terminate the inspection.

At the time that inspection of an object is complete, for example at the end of analysis step **248**, decisions are made on the status of the object based on the evidence obtained from the active frames. In an exemplary implementation, if an insufficient number of active frames were found then there is considered to be insufficient evidence that an object was actually present, and so operation continues as if no active frames were found. Otherwise an object is judged to have been detected, and evidence from the active frames is judged in order to determine its status, for example pass or fail. A variety of methods may be used to detect objects and determine status within the scope of this example; some are described below and many others will occur to those skilled in the art. Once an object has been detected and a judgment made, a report may be made to appropriate automation equipment, such as a PLC, using signals well-known in the art. In such a case a report step would appear in the timeline. The example of FIG. **5** corresponds instead to a setup such as shown in FIG. **1**, where the vision detector is used to control a downstream reject actuator **170** via signal **150**. By considering the position of the object in the active frames as it passes through the field of view, the vision detector **100** estimates the mark time **250** and **252** at which the object crosses the mark point **190** (FIG. **1**). Note that in cases where an encoder **180** is used, the mark time is actually an encoder count; the reader will understand that time and count can be used interchangeably. A report **260**, consisting of a pulse of appropriate duration to the reject actuator **170**, is issued after a precise delay **270** in time or encoder count from the mark time **250**.

Note in particular that the report **260** may be delayed well beyond the inspection of subsequent objects such as object **110** (FIG. **1**). The exemplary vision detector **100** uses well-known first-in first-out (FIFO) buffer methods to hold the reports until the appropriate time.

Once inspection of an object is complete, the vision detector **100** may enter an idle step **280**. Such a step is optional, but may be desirable for several reasons. If the maximum object rate is known, there is no need to be looking for an object until just before a new one is due. An idle step will eliminate the chance of false object detection at times when an object couldn't arrive, and will extend the lifetime of the illumination system because the lights can be kept off during the idle step.

The processor of the exemplary above-incorporated-by-reference METHOD AND APPARATUS is provided with two types of software elements to use in making its decisions: "Locators" that locate the object and "Detectors" that decide whether an object feature is present or absent. The decisions made by both Locators and Detectors are used to judge whether an object is detected and, if so, whether it passes inspection. In one example, Locators can be simply described as a one-dimensional edge detector in a region of interest. The vision detector is configured for locating objects by placing Locators at certain positions in an image where an edge feature of the object can be seen when the object is in the field of view. The Locator can be oriented with respect to the direction the object is moving, and sized to ensure that the edge feature of the object can be located at multiple positions while in the field of view. During analysis, the location of the edge feature of the object within the Locator can be reported, as well as a logical output state that the location is known.

Detectors are vision tools that operate on a region of interest that produce a logical output state that detects the presence or absence of features in an image of the object. The vision

detector is configured for detecting features of an object by placing Detectors at certain positions in an image where object features can be seen when the object is located by the Locators. Various types of Detectors can be used, such as Brightness Detectors, Edge Detectors, and Contrast Detectors.

Detectors can be linked to the location of the feature determined by a Locator to further refine the presence detection and inspection of the object. Accordingly, in each frame where the object may be viewed at a different perspective, the location of the object determined by the Locator will be different, and the position of the Detectors in the image can be moved according to the location determined by the Locator. The operation of the vision detector at high frame rates, therefore permits the vision detector to capture and analyze multiple images of the object while it passes through the field of view.

The above-discussion of Locators and Detectors is further illustrated by way of example in FIGS. **3** and **4**. FIG. **3**, thus, represents an image of the object **110** from FIG. **1**, containing label feature **120** and hole feature **124**, with superimposed graphics (termed "Photos" in the above-incorporated METHOD AND APPARATUS) representing a region of the frame whose output can be used to base decisions and is displayed (at appropriate time, such as during vision detector setup—see below) as an "image view" on a Human-Machine Interface (HMI) for a user to view and manipulate. See FIG. **1**, for example, showing a detachable or remote HMI **194** with Graphical User Interface (GUI) screen **196** and image view window **198** which displays an associated image view (**300**) of an object (**120**, for example) within the vision detector's (**100**) field of view. Accordingly, FIG. **3** represents an image view, showing the object **300** containing an image of a label **310** and a hole **312**. The object in this example contains six visible features to be inspected, corresponding to the two exemplary Locators and four Detectors further described below.

The Locator **320** is used to detect and locate the top edge of the object, and the Locator **322** is used to detect and locate the right edge. A Brightness Detector **330** is used to help detect the presence of the object. In this example the background is brighter than the object, and the sensitivity threshold is set to distinguish the two brightness levels, with the logic output inverted to detect the darker object and not the brighter background. Together the Locators **320** and **322**, and the Brightness Detector **330**, provide the evidence needed to judge that an object has been detected, as further described below. A Contrast Detector **340** is used to detect the presence of the hole **312**. When the hole **312** is absent the contrast would be very low, and when present the contrast would be much higher. A Spot Detector could also be used. An Edge Detector **360** is used to detect the presence and position of the label **310**. If the label **310** is absent, mis-positioned horizontally, or significantly rotated, the analog output of the Edge Detector would be very low. A Brightness Detector **350** is used to verify that the correct label has been applied. In this example, the correct label is white and incorrect labels are darker colors.

As the object (**110** in FIG. **1**) moves from left to right through the field of view of the vision detector **100**, the Locator **322** tracks the right edge of the object and repositions Brightness Detector **330**, Contrast Detector **340**, Brightness Detector **350**, and Edge Detector **360** to be at the correct position relative to the object. Locator **320** corrects for any variation in the vertical position of the object in the field of view, repositioning the Detectors based on the location of the top edge of the object. In general Locators can be oriented in

any direction. A user can manipulate Photos in an image view by using well-known HMI techniques. A Photo can be selected by clicking with a mouse, and its ROI can be moved, resized, and rotated by dragging. Additional manipulations for Locators are described below.

FIG. 4 shows a logic view containing a wiring diagram corresponding to the example setup of FIG. 3. A wiring diagram shows a series of features (termed “Gadgets” in the above-incorporated-by-reference METHOD AND APPARATUS) 420, 422, 430, 440, 450 and 460 being used to inspect objects and interface to automation equipment, and the connections between logic inputs and outputs of the Gadgets. A wiring diagram may be displayed on an HMI for a user to view and manipulate. A display of Gadgets and their logic interconnections on an HMI is called a logic view. A Locator 420 named “Top”, corresponding to Locator 320 in the image view of FIG. 15, is connected to AND Gate 410 by wire 424. Similarly, “Side” Locator 422 corresponding to Locator 322, and “Box” Detector 430, corresponding to Brightness Detector 330, are also wired to AND Gate 410. The logic output of “Box” Detector 430 is inverted, as shown by the small circle 432, and as described above, to detect the darker object against a lighter background. The logic output of AND Gate 410 represents the level of confidence that the top edge of the object has been detected, the right edge of the object has been detected, and the background has not been detected. When confidence is high that all three conditions are true, confidence is high that the object itself has been detected. The logic output of AND Gate 410 is wired to the ObjectDetect Judge 400 to be used as the object detection weight for each frame. Since the logic input to the ObjectDetect Judge in this case depends on the current frame, the vision detector is operating in visual event detection mode. Note, when operating in external trigger mode, an Input Gadget would be wired to ObjectDetect. To operate in continuous analysis mode, nothing would be wired to ObjectDetect.

The choice of Gadgets to wire to ObjectDetect is made by a user based on knowledge of the application. In the example of FIGS. 3 and 4, a user may have determined that detecting just the top and right edges was not sufficient to insure that an object is present. Note that Locator 322 might respond to the label’s left edge just as strongly as the object’s right edge, and perhaps at this point in the production cycle Locator 320 might occasionally find some other edge in the background. By adding Detector 330, and requiring all three conditions by means of AND Gate 410, object detection is made reliable. In the wiring diagram, Contrast Detector “Hole” 440, corresponding to Contrast Detector 340, Brightness Detector “Label” 450, corresponding to Brightness Detector 350, and Edge Detector “LabelEdge” 460, corresponding to Edge Detector 360, are wired to AND Gate 412. The logic output of AND Gate 412 represents the level of confidence that all three image features have been detected, and is wired to ObjectPass Judge 402 to provide the object pass score for each frame.

The logic output of ObjectDetect Judge 400 is wired to AND Gate 470. The logic output of ObjectPass Judge 402 is inverted (circle 403) and also wired to AND Gate 470. The ObjectDetect Judge is set to “output when done” mode, so a pulse appears on the logic output of ObjectDetect Judge 400 after an object has been detected and inspection is complete. Since the logic output of ObjectPass 402 has been inverted, this pulse will appear on the logic output of AND Gate 470 only if the object has not passed inspection. The logic output of AND Gate 470 is wired to an Output Gadget 480, named “Reject”, which controls an output signal from the vision detector than can be connected directly to a reject actuator 170 (FIG. 1). The “Reject” Output Gadget 480 is configured

by a user to perform the appropriate delay (270 in FIG. 2) needed by the downstream reject actuator.

To aid the user’s understanding of the operation of the exemplary vision detector 100, Gadgets and/or wires can change their visual appearance to indicate fuzzy logic values. For example, Gadgets and/or wires can be displayed red when the logic value is below 0.5, and green otherwise. In FIG. 4, wires 404 and 472 are drawn with dashed lines to indicate a logic value below 0.5, and other wires, for example wire 424, are drawn solid to indicate logic values equal to or greater than 0.5. One skilled in the art will recognize that a wide variety of objects can be detected and inspected by suitable choice, configuration, and wiring of Gadgets. One skilled in the art will also recognize that the Gadget class hierarchy of the above-incorporated-by-reference METHOD AND APPARATUS is only one of many software techniques that could be used to practice the implementation.

FIG. 5 illustrates a method for implementing Brightness and Contrast Detectors as described in the above-incorporated-by-reference METHOD AND APPARATUS. In one exemplary implementation of a Brightness Detector, the analog output is the average gray level within the region of interest (ROI) for analysis by the vision detector. In an exemplary implementation, a kernel of positive weights 500 is created corresponding to the size and shape of the ROI, and the analog output A is the weighted average gray level

$$A = \frac{\sum_i w_i z_i}{\sum_i w_i} \quad (1)$$

where w_i is the i^{th} weight and z_i is the corresponding pixel gray level. In this example, the weights approximate a Gaussian function of distance r from the center of the kernel to the center of each weight,

$$w(r) = a e^{-\frac{1}{2}(\frac{r}{\sigma})^2} \quad (2)$$

so that pixels near the center are weighted somewhat higher than those near the edge. One advantage of a center-weighted Brightness Detector is that if a bright feature happens to lie near the edge of the Detector’s ROI, then slight variations in its position will not cause large variations in the analog output. In FIG. 5, $a=99$, but any suitable value can be used. The value σ is set based on the diameter d of the kernel,

$$\sigma = b \frac{(d-1)}{2} \quad (3)$$

In example, $b=1.0$.

In another exemplary implementation, the analog output is defined by the function $C(q)$, which is the gray level such that:

$$\frac{\sum_{k|z_k \leq C(q)} w_k}{\sum_i w_i} = q \quad (4)$$

where q is a percentile chosen by a user. C is the inverse cumulative weighted distribution of gray levels. Various useful values of q are given in the following table:

q	C(q)
0.0	absolute minimum gray level in ROI
0.1	statistically reliable minimum gray level
0.5	weighted median gray level
0.9	statistically reliable maximum gray level
1.0	absolute maximum gray level

In one example of a Contrast Detector, the analog output is the standard deviation of the gray levels within the ROI. In an exemplary implementation, the array of positive weights **500** is used to compute a weighted standard deviation:

$$A = \frac{\sqrt{\sum_i w_i \sum_i w_i z_i^2 - \left(\sum_i w_i z_i\right)^2}}{\sum_i w_i} \quad (5)$$

In another example, the analog output is given by

$$C(q_{hi}) - C(q_{lo}) \quad (6)$$

where the q values may be chosen by the user. Useful values are $q_{hi}=0.95$, $q_{lo}=0.05$.

FIG. 6 illustrates an exemplary method for implementing an Edge Detector to detect step edges. A step kernel **600** is created corresponding to the size and shape of the ROI, and the intended direction of the edge. For step kernel **600**, the ROI is a circle **12** pixels in diameter, and the direction of the edge is 15 degrees from horizontal. The step kernel **600** is an approximation of the first derivative of a Gaussian function of distance t from the edge to the center of each weight,

$$w(t) = \frac{a}{\sigma} e^{-\frac{1}{2}\left[\left(\frac{t}{\sigma}\right)^2 - 1\right]} \quad (7)$$

In the implementation of FIG. 6, $a=99$, but any suitable value can be used. In this example, the equation 7 is used with $b=0.5$.

The step kernel **600**, with values k_i , can be considered to be the product of an ideal step edge template e_i and a kernel of positive weights w_i :

$$w_i = |k_i| \quad (8)$$

$$e_i = \frac{k_i}{w_i}$$

$$k_i = e_i w_i$$

Note that the ideal step edge template values e_i are +1 when $k_i > 0$, corresponding to the black on white region of step kernel **600**, and -1 when $k_i < 0$, corresponding to the white on black region of step kernel **600**.

Define contrast C and weighted normalized correlation R^2 of the step kernel and a like-shaped ROI with pixel values z_i as follows:

$$v = \sum_i w_i \sum_i w_i z_i^2 - \left(\sum_i w_i z_i\right)^2 \quad (9)$$

-continued

$$C = \frac{\sqrt{v}}{\sum_i w_i}$$

$$R^2 = \frac{\left(\sum_i k_i z_i\right)^2}{v}$$

The contrast C uses the standard formula for weighted standard deviation, and R^2 uses the standard formula for weighted normalized correlation, but simplified because for step kernel **600**

$$\sum_i w_i e_i = \sum_i k_i = 0 \quad (10)$$

$$\sum_i w_i e_i^2 = \sum_i w_i$$

An orthogonal step kernel **610** with values k'_i is also created that is identical to the step kernel **600** but rotated 90 degrees. The ratio

$$D = \left| \frac{\sum_i k'_i z_i}{\sum_i k_i z_i} \right| \quad (11)$$

is a reasonable estimate of the tangent of the angle between the actual and expected direction of an edge, particularly for small angles where D is also a good estimate of the angle itself. Note that an orthogonal step template **610** doesn't need to be created—the values from the step kernel **600** can be used, but corresponding to the pixels values in the ROI in a different order.

FIG. 7 shows how the values R^2 , C , and D are used to determine the analog output of an implementation of the Edge Detector. One can be confident that an edge has been detected when three conditions are met:

1. The ROI looks like an ideal step edge, which means that the weighted normalized correlation R^2 of the ideal step edge template and the ROI is high;
2. The contrast C is significantly above some noise threshold; and
3. The angle D is small.

A weighted normalized correlation operation **700** using ROI **710** and step kernel **720** computes R^2 . A contrast operation **730** using ROI **710** and step kernel **720** computes C , which is converted by fuzzy threshold operation **740** into a fuzzy logic value **742** indicating the confidence that the contrast is above the noise level. Weighted correlation operations **750** and **752**, using ROI **710**, step kernel **720**, and orthogonal step kernel **722**, and absolute value of arctangent of ratio operation **760**, compute D , which is converted by fuzzy threshold operation **770** into a fuzzy logic value **772** indicating the confidence that the angle between the expected and actual edge directions is small.

A fuzzy AND element **780** operates on R^2 and fuzzy logic values **742** and **772** to produce the analog output **790** of the Edge Detector. Note that R^2 , being in the range 0-1, can be used directly as a fuzzy logic value. The analog output **790** is in the range 0-1, but it can be multiplied by some constant, for example 100, if a different range is desired. Note that the logic

11

output of an Edge Detector is derived from the analog output using the sensitivity threshold that all Photos have.

FIG. 8 illustrates an exemplary method in accordance with the above-incorporated-by-reference METHOD AND APPARATUS for implementing an Edge Detector to detect ridge edges. A ridge kernel is created corresponding to the size and shape of the ROI, and the intended direction θ of the edge. For ridge kernel, the ROI is a circle 12 pixels in diameter, and the direction θ is 15 degrees from horizontal. The ridge kernel **800** is an approximation of the second derivative of a Gaussian function of distance r from the edge to the center of each weight,

$$w(r) = a \left[1 - \left(\frac{r}{\sigma} \right)^2 \right] e^{-\frac{1}{2} \left(\frac{r}{\sigma} \right)^2} \quad (12)$$

In FIG. 8, $a=99$, but any suitable value can be used. In the exemplary implementation, equation 7 is used with $b=0.33$.

The use of ridge kernel **800** is similar to that for step kernel **600**. The contrast C is computed using the same formula, but R^2 uses a different formula because the sum of the kernel values is not 0:

$$R^2 = \frac{\left(\sum_i w_i \sum_i k_i z_i - \sum_i w_i z_i \sum_i k_i \right)^2}{v \left[\left(\sum_i w_i \right)^2 - \left(\sum_i k_i \right)^2 \right]} \quad (13)$$

Note that this formula reduces to the one used for step edges when the sum of the kernel values is 0.

A different method is used to determine the angle D between the actual and expected edge directions. A positive rotated ridge kernel **810** with values k_i^+ is created with an edge direction $\theta+a$, and a negative rotated ridge kernel **810** with values k_i^- is created with an edge direction $\theta-a$. A parabola is fit to the three points

$$\left(0, \sum_i k_i z_i \right) \left(a, \sum_i k_i^+ \right) \left(-a, \sum_i k_i^- \right) \quad (14)$$

The x coordinate of the minimum of the parabola is a good estimate of the angle D between the actual and expected edge directions.

FIG. 9 shows how the ridge kernels are used to determine the analog output of an example of an Edge Detector that can detect either step or ridge edges. For ridge edge detection, weighted normalized correlation **900** uses ROI **910** and ridge kernel **920** to compute R^2 . Contrast **930** uses ROI **910** and ridge kernel **920** to compute C , which is then converted to a fuzzy logic value by fuzzy threshold **940**. Correlation elements **950**, **952** and **954** use ROI **910** and ridge kernel **920**, positive rotated ridge kernel **924**, and negative rotated ridge kernel **922** to provide input to parabolic fit **960** to compute angle D , which is then converted to a fuzzy logic value by fuzzy threshold **970**.

R^2 and the fuzzy logic values are used by fuzzy AND element **980** to produce a ridge analog output **992** for an Edge Detector that can detect ridge edges. For an Edge Detector that can detect either step or ridge edges, the ridge analog output **992** and analog output **990** from a step edge detector **988** can be used by fuzzy OR element **982** to produce a combined analog output **991**.

12

FIG. 10 shows an exemplary implementation of graphical controls that can be displayed on an HMI for a user to view and manipulate in order to set parameters for an Edge Detector in accordance with the above-incorporated-by-reference METHOD AND APPARATUS. A set of graphical controls displayed on HMI **194** (FIG. 1) for setting Gadget parameters is called a parameter view. Name text box **1000** allows a user to view and enter a Gadget's name. Time label **1002** shows the time taken by the most recent run of a Gadget. Logic output label **1004** shows a Gadget's current logic output value, and may change color, shape, or other characteristic to distinguish between true (≥ 0.5) and false (< 0.5). Invert checkbox **1006** allows a Gadget's logic output to be inverted.

Position control **1020** is used to position a Photo in the field of view. Diameter spinner **1022** is used to change the diameter of a Detector. Direction controls **1024** are used to orient an Edge Detector to the expected edge direction. Position, diameter, and orientation can also be set by manipulation of graphics in an image view, for example the image view of FIG. 3.

Edge type checkboxes **1030** are used to select the types of edges to be detected and the edge polarity. Dark-to-light step, light-to-dark step, dark ridge, and light ridge can be selected. Any combination of choices is allowed, except for choosing none.

Jiggle spinner **1040** allows the user to specify a parameter j such that the Edge Detector will be run at a set of positions $\pm j$ pixels around the specified position, and the position with the highest analog output will be used. Sensitivity threshold controls **1050** allow the user to set the sensitivity fuzzy threshold of a Photo. Zero-point label **1051** shows value t_0 that can be set by zero-point slider **1052**. One-point label **1053** shows value t_1 , which can be set by one-point slider **1054**. Analog output label **1055** shows the current analog output of a Photo. The analog output is also shown graphically by the filled-in region to the left of analog output label **1055**, which shrinks and grows like a mercury thermometer lying on its side. The filled-in region can be displayed in three distinct colors or patterns corresponding to a first zone **1056** below t_0 , a second zone **1057** between t_0 and t_1 , and a third zone **1058** above t_1 .

Contrast threshold controls **1060** allow the user to view the contrast C and set the contrast fuzzy thresholds **740** and **940**. These controls operate in the same manner as the sensitivity threshold controls **1050**.

Direction error controls **1070** allow the user to view the angle between the actual and expected edge directions D and set the direction fuzzy thresholds **770** and **970**. These controls operate in the same manner as the sensitivity threshold controls **1050**, except that the thermometer display fills from right-to-left instead of left-to-right because lower values of D correspond to higher fuzzy logic values.

FIG. 11 illustrates an exemplary method for implementing a Spot Detector in accordance with the above-incorporated-by-reference METHOD AND APPARATUS. A spot kernel **1100** is created corresponding to the size and shape of the ROI. For spot kernel **1100**, the ROI is a circle 15 pixels in diameter. The spot kernel **1100** is an approximation of the second derivative of a Gaussian function of distance r from the center of the kernel to the center of each weight, using equations 12 and 7. In an exemplary implementation, $b=0.6$. The use of spot kernel **1100** is similar to that for ridge kernel **800**. Weighted normalized correlation R^2 and contrast C are computed using the same formulas as was used for the ridge kernel.

FIG. 12 shows how the spot kernel is used to determine the analog output of an example of a Spot Detector. Operation of the Spot Detector is identical to the Edge Detector example shown in FIG. 7, except that angle D is not computed or used.

13

A weighted normalized correlation **1200** uses ROI **1210** and spot kernel **1220** to compute R^2 . Contrast **1230** uses ROI **1210** and spot kernel **1220** to compute C , which is then converted to a fuzzy logic value by fuzzy threshold **1240**. R^2 and the fuzzy logic value are used by fuzzy AND element **1280** to produce a spot analog output **1290**.

FIG. **13** shows a pair of image views that will be used to describe the operation of Locators according to an exemplary implementation in accordance with the above-incorporated-by-reference METHOD AND APPARATUS. In a first image view **1300** and a second image view **1302** there is one Detector **1310** and one Locator **1312**. The reader will understand that the following description of Detector **1310** and Locator **1312** applies generally to any Detector and Locator. The reader will further understand that many alternate methods can be devised for configuring Locators within the scope of this example.

In one example, a Locator searches a one-dimensional range for an edge, using any of a variety of well-known techniques. The search direction is normal to the edge, and a Locator has a width parameter that is used to specify smoothing along the edge, which is used in well-known ways. The analog output of a Locator depends on the particular method used to search for the edge.

In one example, a Locator searches a one-dimensional range for an edge using the well-known method of computing a projection of the ROI parallel to the edge, producing a one-dimensional profile along the search range. The one-dimensional profile is convolved with a one-dimensional edge kernel, and the location of the peak response corresponds to the location of the edge. A interpolation, such as the well-known parabolic interpolation, can be used if desired to improve the edge location accuracy. In another example, an edge can be located by searching for a peak analog output using the edge detector of FIG. **7** or FIG. **9**, once again interpolating to improve accuracy if desired.

In another example, a Locator searches a multi-dimensional range, using well-known methods, which may include translation, rotation, and size degrees of freedom. It will be clear to one skilled in the art how to employ multi-dimensional Locators to position Photos in practicing the example, so the following discussion will be limited to one-dimensional Locators, which are preferred due to their simplicity.

Detector **1310** and Locator **1312** can be moved around in the FOV by clicking anywhere on their border and dragging. Detector **1310** has a resize handle **1320** for changing its diameter, and Locator **1312** has a resize handle **1322** for changing its width and range, and a rotate handle **1324** for changing its direction. All Photos can be moved by dragging the border, and have similar handles as appropriate to their operation.

In the example of FIG. **13**, a Locator is drawn in an image view as a rectangle with a inside line segment called the plunger **1330**. The width of the Locator is along the plunger, and its range is normal to the plunger. A Locator is oriented by a user so that the plunger is approximately parallel to the edge to be found. The rectangle shows the search range, and the plunger shows the location of a detected edge, if any. If no edge is detected, the plunger is drawn in the center of the range.

A Locator has a rail **1332**, shown in FIG. **13** as a dashed line, which is coincident with the plunger but extending in both directions to the edge of the image view.

Every Photo can be linked to zero or more locators, up to some maximum number determined by this example. The number of links determines the number of degrees of freedom that the Locators can control. Degrees of freedom include

14

rotation, size, and the two degrees of freedom of translation. In one example, the maximum number of links is two and only the translation degrees of freedom are controlled.

A linkage defines how a Photo moves as the Locator's plunger moves, following an edge in the image. The movements are defined to keep the Photo at a constant relative distance to the rail or rails of the locators to which it is linked. In this example, the linkages are drawn using a mechanical analogy, such that one could actually build a linkage out of structural elements and bearings and the Photos would move in the same way as forces are applied to the plungers.

In FIG. **13** the linkage from Detector **1310** to Locator **1312** includes a rod **1340**, which is rigidly attached to Detector **1310** by a post **1342**, and to a slider **1344** that is free to move along the rail **1332**, but which holds the rod at right angles to the rail. The post is drawn on the border of a Photo such that the rod, if extended, would pass through the center of the Photo and at the closest of the two possible such points to the rail. A Locator's rail is only shown if there are linkages to it.

Every photo has an emitter, a diamond-shaped handle drawn somewhere on the border. For example Detector **1310** has emitter **1350** and Locator **1312** has emitter **1352**. A link is created by drag-dropping a Photo's emitter to any point on a Locator. If the link already exists, the drag-drop might delete the link, or another mechanism for deleting might be used. The user may not create more than the maximum number of allowable links from any Photo, nor any circular dependencies. To aid the user during an emitter drag over a Locator, a tool tip can be provided to tell the user whether a link would be created, deleted, or rejected (and why). Dragging a Locator does not change the behavior of its plunger—it stays locked on an edge if it can find one, or reverts to the center if not. Thus dragging a locator while an edge is detected just changes its search range; the plunger does not move relative to the FOV. More generally, dragging a Locator never changes the position of any Photo to which it is linked. Dragging a Locator will adjust the rod lengths as necessary to insure that no other Photo moves relative to the FOV.

Any plunger may be dragged manually within the range of its Locator, whether or not it has found an edge, and any linked Photos will move accordingly. This allows users to see the effect of the linkages. As soon as the mouse button is released, the plunger will snap back to its proper position (moving linked Photos back as appropriate).

In FIG. **13**, Detector **1310** is linked to one Locator **1312**, and so one translation degree of freedom is controlled. The degree of freedom is normal to the edge direction, which means that it is in the direction of rod **1340**. Comparing second image view **1302** with first image view **1300**, the plunger **1330** has moved to the right as it follows an edge (not shown) in the image. Note that the position in the FOV of Locator **1312** has not changed, but Detector **1310** has moved to the right to follow the plunger, which is following an edge of an object and therefore following the motion of the object itself. In our mechanical analogy, Detector **1310** moves because it is rigidly attached to rail **1332** by rod **1340**, and the rail moves with the plunger.

FIG. **14** shows a pair of image views that will be used to explain the behavior of a Detector linked to two Locators. In a first image view **1440** and a second image view **1402** Detector **1410** is linked to a first Locator **1420** and a second Locator **1430**, and so two translation degrees of freedom are controlled. The degrees of freedom are in the direction of first rod **1422** and second rod **1432**. Note that the two degrees of freedom are not independent because they are not orthogonal. Handles and emitters are not shown in FIG. **14**.

15

Comparing second image view **1402** with first image view **1400**, first plunger **1424** has moved down as it follows a first edge (not shown) in the image, and second plunger **1434** has moved to the left and slightly down as it follows a second edge (not shown). Note that the positions in the FOV of Locators **1420** and have not changed, but Detector **1410** has moved down and to the left to follow the plungers, which is following the edges of an object and therefore following the motion of the object itself. In a mechanical analogy, Detector **1410** moves because it is rigidly attached to first rail **1426** by first rod **1422**, and to second rail **1436** by second rod **1432**. Note that first slider **1428** has slid to the left along first rail **1426**, and second slider **1438** has slid down along second rail **1436**. The sliders slide along the rails when two non-orthogonal Locators are linked to a Photo.

If a Photo is linked to two nearly parallel Locators, its motion would be unstable. It is useful to set an angle limit between the Locators, below which the linked Photo will not be moved. This state can be indicated in some way in the image view, such as by displaying the two rods using a special color such as red. The ability to have Locators either at fixed positions or linked to other Locators provides important flexibility. In FIG. **14** neither Locator is linked and so they remain at fixed positions in the FOV, and therefore at fixed positions relative to the illumination, which is often desirable.

FIG. **15** shows a pair of image views **1500** and **1502** that will be used to explain the behavior of a Detector linked to two Locators, where one of the Locators is linked to the other. In a first image view **1500** and a second image view **1502** Detector **1510** is linked to a first Locator **1520** and a second Locator **1530**. Second Locator **1530** is also linked to first Locator **1520** via rod **1540**, post **1542**, and slider **1544**. Slider **1544** slides along rail **1522** of first locator **1520**. Note that there need be no limit on the number of Photos that can be linked to a Locator; the degree of freedom limit is on the number of links one Photo can have to Locators. In the example of FIG. **15**, Detector **1510** is linked to two Locators and is controlled in two translation degrees of freedom. Second Locator **1530** is linked to one Locator and is controlled in one translation degree of freedom. First Locator **1520** is linked to no Locators and remains fixed in the FOV.

The Locators are configured to follow the top and right edges of a circular feature **1550**. Comparing second image view **1502** with first image view **1500**, the circular feature **1550** has moved down, causing rail **1522** to move down to follow it. This moves both Detector **1510** and second Locator **1530** down. Note that Detector **1510** is at the same position relative to the object, and so is second Locator **1530**. This is desirable in this case, because if second Locator **1530** were fixed in the FOV, it might miss the right edge of circular feature **1550** as it moves up and down. Note that this would not be problematic if the edge of an object in the image was a straight line.

First Locator **1520** has no Locator to move it left and right so as to find the top edge of circular feature **1550**. The first Locator **1520** cannot link to second Locator **1530** because that would create a circular chain of links, which is not allowed because one Locator has to run first and it cannot be linked to anything. Instead, the motion of the object through the FOV insures that first Locator **1520** will find the top edge. In the example of FIG. **15**, the motion is left to right, and due to the high frame rate of a vision detector the object moves only slightly each frame. Eventually, first Locator **1520** will find the top edge, and will do so on a number of frames, depending on the speed of the object, where the top of circular feature **1550** is close to the center of the Locator. On those frames, second Locator **1530** will be positioned properly to

16

find the right edge, and it will move Detector **1510** left and right as needed to keep it in the right position.

FIG. **16** shows an exemplary method, in accordance with the above-incorporated-by-reference METHOD AND APPARATUS, for handling cases where the edge to be found by a Locator does not extend in a straight line, and so placement of the Locator must be fairly precise along the object boundary. This method could be used for first Locator **1520** in FIG. **15** in an application where objects move at very high speed, and so there might be a chance of missing the top edge entirely as the object moves through the FOV. To handle cases like this, Locators have a parameter that can be used to specify the number of parallel sweeps to be made in searching for the edge. The sweeps are spaced apart along the edge by an amount that provides sufficient overlap so that the edge won't fall between the cracks of the sweeps.

Accordingly, FIG. **16** shows a Locator **1600** with four sweeps that has found an edge on the second sweep from the left. Triangular-shaped sweep markers, including example sweep markers **1610** and **1612**, are shown outside the dashed-line sweep rectangle **1620** to avoid interference from the locator graphics within. If an edge is not found on any of the sweeps, the Locator reverts to the center of the sweep rectangle (which won't be at a sweep marker for even sweep counts).

FIG. **17** shows how Locators can be used to handle object rotation and size change even in implementations where only two translation degrees of freedom are controlled. The restriction to translation only provides considerable simplicity and transparency for the user, but small object rotation and size changes can still be handled since Photos in different parts of the FOV can translate differently in response to different Locators. Small rotations and size changes are well-approximated by translations within a small region of the FOV, so as long as Photos are linked to at least one nearby Locator, object rotation and size change will look like translation.

Thus, in FIG. **17** a first image view **1700** and a second image view **1702** contain a first Detector **1710**, a second Detector **1712**, a first Locator **1720**, a second Locator **1722**, and a third Locator **1724**. First Detector **1710** is linked to nearby first Locator **1712** and second Locator **1722**, and will be positioned properly even if the object rotates or changes size (as long as the change is not too big). But second Detector **1712** is too far away—a rotation would tend to mis-position second Detector **1712** vertically relative to second Locator **1722**, and a size change would tend to mis-position it horizontally relative to first Locator **1720**. Third Locator **1724** is used instead of second Locator **1722** to get the vertical position of second Detector **1712**, allowing overall object rotation to be handled. The remote first Locator **1720** is used to get horizontal position for second Detector **1712**, so the object size should not vary much. If size variation needs to be handled in addition to rotation, one would add a fourth Locator, near second Detector **1712** and oriented horizontally.

Comparing second image view **1702** with first image view **1700**, the object (not shown) has moved to the right and rotated counterclockwise, which can be seen by the motion of the Detectors as the Locators follow the object edges. Note that second Locator **1722** and third Locator **1724** are linked to first Locator **1720** so that they stay close to the Detectors.

Having described in detail the setup of Locators and Detectors in accordance with the above-incorporated-by-reference METHOD AND APPARATUS, it should be clear that, while effective, the GUI screen of FIG. **10** requires a good degree of user involvement in order to effectively place desired Locators and Detectors. In general, the HMI GUI screen **196** and

image view window (198 in FIG. 1), which is used to assist in setup and testing of the vision detector also provides an opportunity many convenient functions of the vision detector 100 to be manipulated by user with relative ease owing to the graphical nature of the GUI. Slide bars to adjust levels, logic wiring diagrams, menus with selector buttons and drag and drop capabilities (among other data-handling and control features) are variously provided by a GUI, and can be combined with real-time images on the screen 196 returned from the vision detector 100.

Thus, in establishing appropriate Locators and Detectors in an image view of an object during setup, the functionality of the GUI can be highly beneficial. It is desirable that the process for setting up such Locators and Detectors be as easy to use and accurate as possible. By arranging functions of the GUI to facilitate automated setup of locators and detectors, the overall performance and ease of use of the vision detector can be greatly enhanced.

SUMMARY OF THE INVENTION

This invention provides a system and method for automating the setup of Locators and Detectors within an image view of an object on the HMI of a vision detector by determining detectable edges and best fitting the Locators and Detectors to a location on the object image view following the establishment of an user selected operating point on the image view, such as by clicking a GUI cursor. In this manner, the initial placement and sizing of the graphical elements for Locator and Detector ROIs are relatively optimized without excessive adjustment by the user. Locators can be selected for direction, including machine or line-movement direction, cross direction or angled direction transverse to cross direction and movement direction. Detectors can be selected based upon particular analysis tools, including brightness tools, contrast tools and trained templates. The Locators and detectors are each associated with a particular set of operating parameters, such as activation threshold, which are displayed in a control box within the GUI (and can be accessed by clicking on the specific Locator or Detector. A parameter bar can also be provided adjacent to the depiction of the Detector on the image view for easy reference. Both Locators and Detectors may be manually readjusted once automatically placed and sized by drag and drop techniques.

In an illustrative embodiment the system includes a GUI screen image view of an object derived from a vision sensor having a field of view in which the object is in relative motion thereto and a plurality of image frames of the object within the field of view are captured by the vision detector. The image view is accessible by the GUI cursor. An edge detection process determines and analyzes detectable edges in the screen image view and stores edge information. A selector allows a user to select either a (a) Locator or (b) a Detector based upon a predetermined analysis tool for placement on the image view. an automatic placement process then uses that edge information to place the selected (a) Locator or (b) Detector at a position on the image view upon which the cursor points with a size that is determined based upon a location of adjacent edges of the object image view.

The automatic placement process is constructed and arranged to place the Locator on the image view relative to a nearest adjacent edge of the image view and to adjust the Locator so as to avoid a stronger-magnitude more-distant edge. This allows a Locator having a predetermined width when originally sized to be finally sized with a cutoff on the side near the stronger edge, thus avoiding confusion as the object moves through the field of view between edges, since

the Locator's activation threshold is generally set relative to the nearest adjacent edge's magnitude.

In addition, the automatic placement process is constructed and arranged to place the Director on the image view relative to the position at which the cursor points so that a relative center of the Detector as at the position at which the cursor points and an outer boundary of the Director extends to a location that is within detected edges of the object image view. The outer boundary is typically circular, and is built from incrementally larger-radius circles until the average score of pixel values of the image within the boundary indicates a change beneath an applicable threshold (based upon brightness or contrast, for example). At this time, the boundary closest to the radius still within the threshold is chosen for the automatically sized ROI of the Detector.

BRIEF DESCRIPTION OF THE DRAWINGS

The invention description below refers to the accompanying drawings, of which:

FIG. 1, already described, is a schematic perspective view of an exemplary implementation of a vision detector, inspecting objects on a production line;

FIG. 2, already described, is a timeline that illustrates a typical operating cycle for the exemplary vision detector of FIG. 1 using visual event detection;

FIG. 3, already described, is an image of an exemplary configuration of the vision detector of FIG. 1 that may be used to inspect an exemplary object;

FIG. 4, already described, is a logic diagram of another portion of the configuration corresponding to the exemplary setup of FIG. 3;

FIG. 5, already described, is a diagram of a method for analyzing regions of interest to measure brightness and contrast of a visible feature;

FIG. 6, already described, is a diagram of a method for analyzing regions of interest to detect step edges;

FIG. 7, already described, is a logic diagram of a method for analyzing regions of interest to detect step edges;

FIG. 8, already described, is a diagram of a method for analyzing regions of interest to detect ridge edges;

FIG. 9, already described, is a further logic diagram of a method for analyzing regions of interest to detect ridge edges, and illustrates a method for detecting either step or ridge edges;

FIG. 10, already described, shows graphical controls that can be displayed on an human-machine interface (HMI) for a user to view and manipulate in order to set parameters for detecting edges;

FIG. 11, already described, is a diagram of a method for analyzing regions of interest to detect spots;

FIG. 12, already described, is a further logic diagram of a method for analyzing regions of interest to detect spots;

FIG. 13, already described, is a diagram of a method for analyzing regions of interest to track the location of objects in the field of view, and using an HMI to configure the analysis;

FIG. 14, already described, is a diagram of a method for analyzing regions of interest to track the location of objects in the field of view, and using an HMI to configure the analysis;

FIG. 15, already described, is a further diagram of a method for analyzing regions of interest to track the location of objects in the field of view, and using an HMI to configure the analysis;

FIG. 16, already described, is a further diagram of a method for analyzing regions of interest to track the location of objects in the field of view, and using an HMI to configure

the analysis, in certain cases where placement of the regions of interest must be fairly precise along an object boundary;

FIG. 17, already described, is a diagram of a method for analyzing regions of interest to track the location of objects in the field of view, and using an HMI to configure the analysis, in cases where objects may rotate and change size;

FIG. 18 is a diagram of a Graphical User Interface (GUI) for use with the HMI in accordance with an illustrative embodiment of this invention;

FIG. 19 is a partial view of the diagram of the GUI of FIG. 18 detailing an image view and associated setup box with a cursor preparing to place and edge-detecting Locator;

FIG. 20 is a partial view of the diagram of the GUI of FIG. 18 detailing an image view and associated setup box with a cursor having automatically placed an edge-detecting Locator of predetermined size and angle;

FIG. 21 is a partial view of the diagram of the GUI of FIG. 18 detailing an image view and associated setup box with a cursor optionally realigning and resizing the edge-detecting Locator;

FIG. 22 is a partial view of the diagram of the GUI of FIG. 18 detailing an image view and associated setup box with a cursor placing a first, brightness-based Detector in association with the Locator;

FIG. 23 is a partial view of the diagram of the GUI of FIG. 18 detailing an image view and associated setup box with a cursor placing a second, contrast-based Detector in association with the Locator;

FIG. 24 is a schematic diagram of an exemplary object having multiple edges and the placement and sizing of a Locator in response to the click of the cursor near an edge of an object image view;

FIG. 25 is a flow diagram of a procedure for the placement and sizing of a Locator according to an embodiment of this invention;

FIG. 26 is a schematic diagram of the exemplary object of FIG. 24 having multiple edges and the placement and sizing of a Detector ROI circle in response to the click of the cursor at a selected point on the object image view;

FIG. 27 is a flow diagram of a procedure for the placement and sizing of a Detector ROI circle according to an embodiment of this invention; and

FIG. 28 is a graph of magnitude score versus radius with respect to the procedure of FIG. 27.

DETAILED DESCRIPTION OF AN ILLUSTRATIVE EMBODIMENT

FIG. 18 shows a diagram of a Graphical User Interface (GUI) screen 1800 for a Human-Machine Interface (HMI), interconnected with a vision detector (100) like that shown and described with reference to FIG. 1 above and in connection with the above-incorporated-by-reference METHOD AND APPARATUS FOR VISUAL DETECTION AND INSPECTION OF OBJECTS, by William M. Silver. The screen can reside on any acceptable HMI, including, but not limited to an Laptop Personal Computer (PC); Desktop PC, personal digital assistant or Notebook Computer (for example PC 194) having an appropriate communication link (e.g. USB, wireless, network cable, etc.) with the vision detector (100). An appropriate HMI interface (described in connection with the above-incorporated-by-reference METHOD AND APPARATUS) interconnects with the vision detector's DSP to allow communication with the FMI. Note that the layout and menu contents of the illustrated screen 1800 is exemplary, and a variety of layouts and menu items are contemplated in alternate embodiments. As described

above, it is contemplated that the HMI is interconnected to the detector during setup and monitoring or testing. During normal runtime on a production line, the HMI may be disconnected and the detector freely operates various alarms, reject actuators (170) and other interconnected devices, while receiving optical inputs from illuminated objects and electronic inputs from line devices such as the encoder (180).

In this embodiment, the GUI 1800 is provided as part of a programming application running on the HMI and receiving interface information from the vision detector. In the illustrative embodiment, a .NET framework, available from Microsoft Corporation of Redmond, Wash., is employed on the HMI to generate GUI screens. Appropriate formatted data is transferred over the link between the vision detector and HMI to create screen displays and populate screen data boxes, and transmit back selections made by the user on the GUI. Techniques for creating appropriate screens and transferring data between the

The screen 1800 includes a status pane 1802 in a column along the left side. This pane controls a current status box 1804, the dialogs for controlling general setup 1806, setup of object detection with Locators and Detectors 1808, object inspection tool setup 1810 and runtime/test controls 1812. The screen 1800 also includes a right-side column having a pane 1820 with help buttons.

The lower center of the screen 1800 contains a current selection control box 1830. The title 1832 of the box 1830 relates to the selections in the status pane 1802. In this example, the user has clicked select job 1834 in the general setup box 1806. Note, the general setup box also allows access to an item (1836) for accessing a control box (not shown) that enables setup of the imager (also termed "camera"), which includes, entry of production line speed to determine shutter time and gain. In addition, the general setup box allows the user to set up a part trigger (item 1838) via another control box (not shown). This may be an external trigger upon which the imager begins active capture and analysis of a moving object, or it may be an "internal" trigger in which the presence of a part is recognized due to analysis of a certain number of captured image frames (as a plurality of complete object image frames are captured within the imager's field of view).

The illustrated select job control box 1830 allows the user to select from a menu 1840 of job choices. In general, a job is either stored on an appropriate memory (PC or vision detector) or is created as a new job. Once the user has selected either a stored job or a new job, the next button accesses a further screen with a Next button 1842. These further control boxes can, by default, be the camera setup and trigger setup boxes described above.

Central to the screen 1800 is the image view display 1850, which is provided above the control box 1830 and between the columns 1802 and 1820 (being similar to image view window 198 in FIG. 1). This display shows a current or stored image frame captured by the vision detector and, essentially, represents the vision detector's current field of view (FOV). In this example, an object 1852 is approximately centered in the display. For the purposes of describing the illustrative embodiment, the exemplary object 1852 is a bottle on a moving line having a main cylindrical body 1854 having a narrowed upper cap section 1856 with a series of graphics 1858 thereon. Any acceptable object or pattern can be substituted herein and the relative motion between the object and the field of view can be generated by moving the objects, moving the vision detector (or moving its FOV) or moving both the objects and the vision detector. In this example, the object 1852 is relative light in surface color/shade. While the back-

ground **1860** is relatively dark (as depicted by dot shading). In general, there should exist sufficient contrast or shade differences between at least some portions of the object and the background to attain a basis for detecting and inspecting the object. However, it is contemplated that the object may be mostly dark and the background can be lighter in an alternate example.

As shown in FIG. **18**, the object **1852** is either a real-time image being returned from the vision detector under appropriate illumination or it is a stored image. In either case, the image in display **1850** is the one upon which setup of the detector is performed. In this example, the object **1852** is centered in the display **1850** with background space on either side. In other examples, the object may be moved more closely to a side of the display, such as when detection and inspection are based upon internal features located at a distance from an edge.

Before describing further the setup procedure, reference is made briefly to the bottommost window **1870** which includes a line of miniaturized image frames that comprise a so-called “film strip” of the current grouping of stored, captured image frames **1872**. These frames **1872** each vary slightly in bottle position with respect to the FOV, as a result of the relative motion. The film strip is controlled by a control box **1874** at the bottom of the left column.

Reference is now made to FIG. **19**. After performing other general setup functions (see box **1806**), the user may setup the mechanism for detecting the object **1852**. The user clicks the setup detectors button **1880** in FIG. **18** to access control box **1910**. Within this box the user decides which direction he or she wishes to have detection occur. The choices are machine or line-movement direction (typically horizontally or left-to-right/right-to-left across the FOV) **1912**, cross direction (typically vertically or transverse to machine direction) **1914** or angle direction **1916**. Once a direction is chosen for a main detector (note that additional directions may be chosen by accessing the control box **1910** at a later time), the box **1910** invites the user (dialog **1920**) to click on a location in the object image.

As shown, a cursor **1930** is brought toward an edge **1940** of the object **1852**. Once the user “clicks” on the cursor placement, the screen presents the control box **2010**, which now displays a parameter box **2012**. Briefly, this box sets up the applicable threshold indicator **2014** for machine direction. The nature of the parameter box is highly variable herein. In general, the user can decide how high or low to set a threshold for edge detection.

The click of the cursor **1930** also generates a novel Locator graphic **2020** on the image view **1850** of the object **1852**. This graphic **2020** is similar in operation to the Locator **320** (FIG. **3** above) and Locator **1312**, and the like described above with reference to FIGS. **13-17**. The Locator **1930** of this embodiment uniquely places itself in an orientation that is automatically positioned and sized relative to the closed detectable edge of the object **1852** in the image view **1850**. The generalized threshold level is also set by the automated process. In brief summary, the threshold level determines how much transition along an edge or other feature is needed to turn the locator “on.”

In this example, the Locator is sized with a height **HL1** and width **WL1** that are optimized to a given segment of edge **1940** of the object **1852**. Likewise, the locator is positioned at an angle **A** that allows the above-described plunger bar **2022** to approximately define a straight line within the (curving) edge portion closest to the clicked cursor **1930**. In general, the height **HL1** if the plunger **2020** is chosen by the process so that it remains within a predetermined deviation of the object

edge from a straight line. In other words, the plunger, at its opposing ends **2024** and **2026** deviates from the curving object edge **1940** no more than a predetermined distance—a longer plunger would exceed that distance at the selected edge location. The procedure for determining automatic placement and sizing of the Locator **2020** is described in greater detail below.

The position in the FOV at which the cursor **1930** is clicked typically defines the center of the locator. The locator itself remains fixed at the clicked position in the FOV. The moving object image passes through the Locator with the plunger **2022** following the detectable edge transition. In automatic setup, the Locator’s width **WL1** is determined by the distance from the click point to a detectable edge transition for the object in the setup view. Hence, if the click point of the cursor **1930** were further from the edge **1940**, then the Locator graphic would appear longer in the width direction to lie properly upon the object. The extension of the locator into the body of the object image is sufficient so that the edge transition of the object can be of the object can be properly detected while the object is placed in the current image view (the illustrated view upon which setup is being made). Again the height **HL1** of the locator and plunger **2022** is based upon a close fit with the nearest object edge transition. A more detailed procedure for the automated placement of a Locator is described with reference to FIGS. **24** and **25** below.

The graphical representation of the Locator **2020** is set to a given polarity so that it properly identifies the transition from light background to dark. A polarity selector (not shown) can be provided in the status pane **1802** or control box **2010**. In this manner, a Locator can be placed on either edge (see phantom Locator **2030** on opposing edge **2032**) and detect the movement of the object through the FOV from either edge. Polarity can be displayed by providing different, unique, opaque shading on each side of the Locator **2020**. In this example, shading fill (symbolized by hatch lines) **2040** is used to show a dark-to-light polarity given a prevailing right-to-left machine direction. Likewise, the opposing alternate Locator **2030** would be set for light-to-dark polarity in this example.

It is contemplated that the automated placement of the Locator **2020** may not always yield the best result. Thus, the control box **2010** includes a recreate button **2050** that allows the Locator **2020** to be removed and replaced in another location by a subsequent move and click of the cursor **1930**. Alternatively, the clicking of the cursor **1930** on a different position of the object can be adapted to recreate the Locator elsewhere on the image view **1850**. Note that a cross direction button **2052** and angle direction button **2054** can still be accessed to generate additional locators as needed, using the same automated and manual placement and resizing procedures as applicable to the locator **2020**.

In addition, when a Locator’s automatic placement is generally desirable, but its angle, width or height will not necessarily obtain the best results, then the Locator can be manually resized as shown generally in FIG. **21**. In this example, the user observes that the Locator is centered too much on the curved portion **2116** of the edge **1940**. A better detection can be derived by detecting the edge transition of the lower, straight portion of the bottle body **1854**. Thus, using appropriate drag bars **2118**, the rectangle can be stretched in the height, width (or both) directions and rotated (curved arrows **2119**) about its relative centroid from an original position (shown in phantom) to a desired position (shown solid). In this manner the resized and re-angled Locator **2120** is generated by dragging down (arrows **2121**) the lower bar **2123** and rotating to a generally horizontal orientation. The new height

HL2 extends more fully down the straight portion (to lower end plunger **2126**) of the object edge **1940** and allows the lengthened plunger **2112** to more fully locate the straight portion. The plunger's upper end **2124** deviates more from the upper curved object edge **2116**. This may not be of concern where a sufficient distance along the straight portion is covered by the locator. Alternatively, the upper bar **2128** can also be dragged lower to bring the top plunger end **2124** closer to the straight portion. Note that other objects may be more effectively located using non-vertical edges. In such instances, using an angled Locator, where the plunger identifies a strong angled edge may be beneficial.

Having placed and adjusted a Locator **2120**, reference is now made to FIG. **22** where a Detector (also termed a verifier) is applied. The set up verifiers button **1882** in the status pane **1802** is activated by the user, or the Next button **2170** is pressed, to enter the screen of FIG. **22**. This screen includes a new control box **2210** that provides a menu **2212** of image analysis tool types upon which a detector can be based. In this embodiment, three types of analysis are brightness (button **2214**), contrast (button **2216**) and trained template (button **2218**). It is expressly contemplated that differing or additional analysis tools can be provided in alternate embodiments. In this example, the user has selected brightness (**2214**) as the type, and a parameter box **2230** appears. Briefly, the parameter box **2230** for brightness displays a threshold slide setting and scale **2232** as well as an operating range slide setting **2234**. These settings control the level of brightness at which detection occurs (threshold) and the general level of brightness used to distinguish the object versus a background. Note that an invert output checkbox **2236**, when clicked, allows the user to detect on a darkness threshold rather than brightness.

When a given type of tool is selected, the user may then move the cursor to an appropriate location on the object **1852** (see cursor **1930** shown in phantom). By clicking on the positioned cursor **1930** (phantom) a Detector region of interest (ROI) circle **2240** (shown in phantom) using brightness as a detection criterion is formed on the object in association with the plunger **2122** of the locator **2120**. The diameter of the circle is selected automatically from the center click point based upon placement so that it falls within the desired brightness region of the object. In other words, parts of the ROI that are outside a given brightness range cause the circle to be sized so as to avoid these regions. Similarly to the case of the Locator, the threshold level of a given detector is also estimated and automatically set, subject to subsequent adjustment by the user.

In this example, the automatically sized ROI circle **2240** (phantom) covers a majority of the width of the object body **1854**. As described above, when the object is located, its presence is verified by the existence of the bright spot within the ROI. However, the user may desire a longer period of detection. Thus, by clicking the cursor **1930** (shown solid), and dragging on the circle edge, the ROI's diameter can be reduced (arrows **2242**) from the larger diameter automatically sized circle (phantom) to a reduced-size circle **2250** that allows verification of presence within a larger range of movement across the FOV. Note that a threshold and brightness bar **2260** is automatically appended to the Detector circle **2250** by the GUI. This allows the user to ascertain the current settings and readings of the particular detector. Such data is helpful particularly where a plurality of detectors are present on the image view, and only one Detector's status is currently shown (typically the last Detector clicked) in the control box **2210**. Note that by clicking any Detector or Locator in the image

view, the relevant control box and associated parameter box is retrieved and displayed in the GUI.

The user may place as many Detectors as he or she desires in association with a given locator. To further verify object presence, a second Detector may be applied as shown in FIG. **23**. In this example the user has clicked the contrast button **2216** in the menu **2212** of control box **2210**. The control box **2210** now displays a contrast parameter box **2330**. This parameter box **2330** includes a threshold setting slider **2332** and sensitivity setting slider **2334**. An invert checkbox **2336** is also provided and used as described above. In this example, the user desires to employ the light-and-dark-varying graphics **1858** on the cap **1856** to further verify detection. In this case, the user has decided that, if either a bright spot on the object body **1854** is not found by the Detector **2250**, or a contrasting graphic **1850** is not found, then the presence of the object is not detected. Typically, detection implicates regions of an object that would not likely be altered or missing, unlike inspection, described briefly below, in which object regions subject to fault are analyzed.

In the example of FIG. **23**, the user has moved the cursor **1930** to the cap and clicked it to create an automatically sized contrast-based Detector ROI circle **2350**. This circle **2350** extends approximately the relevant vertical side edges **2352** of the cap **1856** and is otherwise bounded by the respective top and bottom edges **2354** and **2356** of the cylindrical body of the cap. In this instance, the user decides that no resizing is needed. The contrast threshold and sensitivity is shown in the circle's associated bar **2360**.

Note that the automatic sizing of a Detector ROI circle is described in further detail with reference to FIGS. **26-28** below. In general, the circle is sized so that it does not exceed an area encompassed by relevant details of the object.

Briefly, the user may also select Detectors based upon other tools such as template. When selecting template a control box (not shown) allows the user to lay a dark circle (automatically with manual adjustment option) on an object image location. The user activates a training button to store the pattern in the vision detector's memory. Generalized pattern-matching algorithms are used to determine whether a detected ROI on the object matches the pattern. A threshold setting slider is provided to adjust the pattern matching algorithm.

The status pane **1810** also shows a set up inspection box **1810** with an associated button **1884** for inspection tools. In general, inspection occurs within the detector concurrently with detection. In some implementations, simply detecting an object is sufficient. In other applications, the detector can inspect objects for flaws by analyzing ROI's in association with a locator. Typically, ROIs are placed in areas where flaws will affect the appearance of the object in sufficient degree to be discriminated by the relatively low-resolution capture of the vision detector. Briefly, when the inspection setup button **1884** is clicked, the user is provided with various screens similar to those in FIGS. **19-23**. The user may place an inspection Locator similarly to the automatic procedure above and may then place various inspection Detectors in association with the Locator at desired ROIs. Inspection Detectors may be based upon similar analysis tools (e.g. brightness, contrast and template) may be used, or inspection Detectors may be based upon differing/additional tools. In general, the automatic placement and adjustment of Locators and Detectors occurs identically to the procedure described above for FIGS. **19-23**.

The automatic placement and sizing of a Locator in response to positioning and clicking of a cursor on the image view is now discussed in further detail with reference to FIGS. **24** and **25**. FIG. **24** shows an exemplary irregular-

25

edged object image view **2410**. In FIG. **25**, the procedure **2500** begins with a prior edge-location process step **2510** in which all edge transitions within the image view are identified and plotted using a convolution over the entire image employing (in one embodiment) known edge location techniques, such as a Sobel operator that provides every partial edge (“edglet” of the overall edge with a gradient, direction and magnitude.

The user desires to place a Locator along the left-side edge portion **2412** and has clicked a cursor at the click point **2414** at a slight spacing from the edge **2412** (step **2512**). The procedure locates the closest point on the nearest located edge **2412** and establishes this point as the Locator origin **2416** (step **2514**). The origin **2416** is defined in terms of orthogonal x and y axes and a rotation θ relative to the axes and the closest distance can be determined as the shortest line segment **2419** between the click point **2414** and origin **2416**. In one embodiment, the angle of this segment with respect to the X-Y axes defines θ (the segment being oriented at 90 degrees to θ). The procedure **2500** begins to define increments above and below the origin (steps **2516**, **2518**, **2520** and **2522**) generating a line **2420** that fits along the edge **2412** in each direction from the origin **2416**. This forms the basis of the plunger when the creation of the Locator is complete. The increments build as far as they are able until the maximum width (according to a predetermined constant) is achieved (for example the lower point **2430**). The increments may build to less than the maximum width if they deviate from the edge by more than a maximum deviation (MAXDEV), at which point (top point **2432**) increments are no longer built. In one embodiment, MAXDEV is approximately 2 pixels wide. Once increments are maximized, the maximum height of the locator is established.

In step **2524**, the width of the Locator in both directions from the line **2420** is established (MAXWIDTH1 and MAXWIDTH2). Typically, width is determined by a predetermined ratio of the height and by other factors, such as ensuring that a sufficient portion of the width is located in each of the object side and background side.

The procedure **2500** may attempt to move the Locator line **2420** upwardly or downwardly along the edge to seek a better fit within a predetermined limit (steps **2526** and **2528**) that allows a truncated side (due to exceeding MAXDEV) of the Locator to expand in height. Likewise, in an embodiment, the line may be rotated relative to θ , to allow a better fit within certain rotational limits. Once the Locator positioning is established, the procedure **2500** in step **2530** ranks the strength of the transition of all edges within the original width of the Locator’s ROI. In this example, a stronger (or equally strong) edge **2440** is identified (step **2532**), which may confuse the analysis during runtime. Thus, the procedure **2500** resizes the width boundary **2442** (step **2534** and arrow **2441**) to exclude the edge **2440**. The amount (ADJWIDTH) of withdrawal of the Locator’s width boundary **2442** may be calculated based upon a constant or a ratio relative to the distance between edges **2412** and **2440**, or upon another metric. Finally the Locator is completed in step **2536**.

Upon completion of the Locator’s layout, a threshold value is assigned to the Locator. This value is calculated by deriving a measured magnitude (via the Sobel operator) of the edgelets at the edge line **2420** and multiplying this value by a constant to determine an absolute threshold value for the GUI. In an embodiment, a constant of 0.7 is used to establish a default value for the threshold assigned to the Locator, resulting in allowance of variation of up to 30%.

The placement and sizing of a detector in accordance with an embodiment of this invention is now described in further

26

detail with reference to the exemplary object **2410** of FIG. **26** and respective procedure **2700** and graph **2800** of FIGS. **27** and **28**.

FIG. **26** shows the exemplary object **2410**, as described with reference to FIG. **24** above, now having an established locator **2610** with plunger **2612** residing along the edge **2430**. The user desires to place a Detector ROI circle at a predetermined point on the object **2410**. The procedure **2700** (FIG. **27**) for placing a Detector begins with the prior (previously described) step **2710** of locating all edge transitions within the image view, including internal transitions such as internal edge **2440**, and assigning appropriate magnitudes to all edgelets derived from the associated convolution.

Next, in step **2712**, the user moves the cursor to a point on the object image view and clicks the location to establish a center point (click point) **2620** for the Detector ROI circle (step **2714**). This click point is established as the origin of the circle with an initial Radius equal to zero within the depicted x-axis and y-axis coordinate system. The procedure then (steps **2716** and **2718**) begins to build a series of circles about the origin **2620**, successively incrementing (typically by one or two pixels in distance per increment) the radius of the circle and deriving an average magnitude score for all points (or sum of all magnitudes) in the image view along the circle. In this example, the circles build successively outwardly (radial arrows **2622**) from the origin **2620** to radiuses $R1 < R2 < R3 < R4$. Each time the step **2718** decides whether the average or summed score of all image pixels within the given circle is (a) greater-than-or-equal-to, or (b) less-than the desired threshold value. Referring to the graph **2800** in FIG. **28**, the average magnitude score (line **2810**) remains above the minimum threshold level (dashed line **2812**) until the score associate with $R4$ is attained. This corresponds on the example of FIG. **26** to the outer-most circle **2630** (shown in phantom), which resides in, part outside the object edge **2632**. Thus, the procedure then selects (step **2720**) the previous Radius value ($R3$) which generated a circle **2640** having an average/summed magnitude score still above the minimum threshold.

The GUI thus automatically displays the chosen circle with radius $R3$ and allows the user the option to increase or decrease the diameter as appropriate (step **2722**). As described above, a further graphic image of a threshold and setting bar is provided alongside the completed circle.

The determination of magnitude is, in part based upon the type of tool used in conjunction with the Detector. In the case of brightness, the tool bases decisions upon pixel intensity versus a constant. The constant can be predetermined or calculated from the average image intensity in a variety of ways. In the case of contrast, the magnitude score may be a differential gradient between intensities and the threshold may be a constant gradient. Where needed, inverse values for these thresholds can be derived through subtraction from a constant. Automatic placement and sizing of a template circle may be based upon contrast or brightness (or both).

Hence, the above description provides useful and highly flexible mechanisms for allowing minimally trained persons to quickly employ a vision detector without the need of intensive human programming or labor in setup. The completed setup may be tested as needed, and by accessing various GUI screens through “Back” buttons and clicks upon the image’s Locators and Detectors during test time, adjustments can be made to the Locators and Detectors, or new/replacement Locators and Detectors can be placed on the image view.

The foregoing has been a detailed description of illustrative embodiments of the invention. Various modifications and additions can be made without departing from the spirit and

scope thereof. For example, while ROIs for Locators are shown as rectangles and Detectors are shown as circles, their ROIs may each define a different shape or a variety of selectable and/or customized shapes as needed. Likewise, while a particular form of HMI and GUI are shown, a variety of hardware and GUI expressions are expressly contemplated. For example, in alternate embodiments access to operating parameters may be through alternate display screens or boxes. Accordingly, this description is meant to be taken only by way of example, and not to otherwise limit the scope of the invention.

What is claimed is:

1. A system for placing and sizing on a Graphical User Interface (GUI) display at least one of Locators and Detectors comprising one or more processors implementing the steps of:

a GUI screen image view of an object derived from a vision sensor having a field of view in which the object is in relative motion thereto and a plurality of captured image frames of the object within the field of view, the image view being accessible by a GUI cursor;

an edge detection process that determines and analyzes detectable edges in the screen image view and stores edge information;

a selector that allows a user to select either (a) a Locator or (b) a Detector based upon a predetermined analysis tool for placement on the image view; and

an automatic placement process that uses the edge information to place the selected (a) Locator or (b) Detector at a position on the image view upon which the cursor points with a size that is determined based upon a location of adjacent edges of the object image view.

2. The system as set forth in claim 1 wherein the automatic placement process is constructed and arranged to place the Locator on the image view relative to a nearest adjacent edge of the image view and to adjust the Locator so as to avoid a stronger-magnitude more-distant edge.

3. The system as set forth in claim 2 wherein the automatic placement process is constructed and arranged to size a width of the Locator according to a predetermined value and reduce the width so as to avoid the stronger-magnitude more-distant edge.

4. The system as set forth in claim 2 wherein the Locator includes a height based upon a line segment fit within a predetermined deviation away from the nearest adjacent edge.

5. The system as set forth in claim 4 wherein the line segment is oriented at a relative angle with respect to a vertical and a horizontal axis within the image view so as to cause the line segment to fit with minimum deviation from the nearest adjacent edge.

6. The system as set forth in claim 2 wherein the Locator is selected to be oriented with respect to the direction of relative motion.

7. The system as set forth in claim 2 wherein the Locator is selected to be oriented with respect to (a) the direction of relative motion, and at least one of (b) a direction transverse to the direction of relative motion and (c) a direction at an angle between (a) and (b).]

8. The system as set forth in claim 2 wherein the Locator is adapted to be resized and rotated about a center point by dragging and dropping the cursor at predetermined locations on the Locator so as to allow manual resizing and reorienting of the Locator with respect to the nearest adjacent edge.]

9. The system as set forth in claim 2 wherein operating parameters relating to a threshold for activating the Locator are displayed in an associated control box within the GUI.]

10. The system as set forth in claim 2 wherein the operating parameters are selectively displayed in the control box by operating the cursor upon the Locator.

11. The system as set forth in claim 1 wherein the Detector is adapted to be selected based upon at least one of brightness, contrast and a trained template.]

12. The system as set forth in claim 1 wherein the automatic placement process is constructed and arranged to place the [Director] *Detector* on the image view relative to the position at which the cursor points so that a relative center of the Detector [as] *is* at the position at which the cursor points and an outer boundary of the [Director] *Detector* extends to a location that is within detected edges of the object image view.

13. The system as set forth in claim 12 wherein the Detector is adapted to be selected based upon at least one of brightness, contrast and a trained template.]

14. The system as set forth in claim 12 wherein operating parameters relating to a threshold for activating the Detector, brightness settings and contrast settings are displayed in an associated control box within the GUI and at a location adjacent to the Detector.]

15. The system as set forth in claim 14 wherein the operating parameters are selectively displayed in the control box by operating the cursor upon the Detector.]

16. The system as set forth in claim 12 wherein the outer boundary defines a circle and wherein the Detector is adapted to be resized in diameter about a center point by dragging and dropping the cursor relative to the outer boundary.]

17. A method for placing and sizing on a Graphical User Interface (GUI) display at least one of Locators and Detectors comprising one or more processors implementing the steps of:

displaying a GUI screen image view of an object derived from a vision sensor having a field of view in which the object is in relative motion thereto and a plurality of captured image frames of the object within the field of view, the image view being accessible by a GUI cursor; determining and analyzing detectable edges in the screen image view and stores edge information;

selecting either (a) a Locator or (b) a Detector based upon a predetermined analysis tool for placement on the image view; and

placing automatically, using the edge information, the selected (a) Locator or (b) Detector at a position on the image view upon which the cursor points with a size that is determined based upon a location of adjacent edges of the object image view.

18. The method as set forth in claim 17 wherein the step of placing places the Locator on the image view relative to a nearest adjacent edge of the image view and to adjust the Locator so as to avoid a stronger-magnitude more-distant edge.

19. The method as set forth in claim 18 wherein the step of placing sizes a width of the Locator according to a predetermined value and reduces the width so as to avoid the stronger-magnitude more-distant edge.

20. The method as set forth in claim 18 wherein the Locator includes a height based upon a line segment fit within a predetermined deviation away from the nearest adjacent edge.

21. The method as set forth in claim 20 wherein the line segment is oriented at a relative angle with respect to a vertical and a horizontal axis within the image view so as to cause the line segment to fit with minimum deviation from the nearest adjacent edge.

22. The method as set forth in claim 18 wherein the Locator is selected to be oriented with respect to the direction of relative motion.

[23. The method as set forth in claim 18 wherein the Locator is selected to be oriented with respect to (a) the direction of relative motion, and at least one of (b) a direction transverse to the direction of relative motion and (c) a direction at an angle between (a) and (b).]

[24. The method as set forth in claim 18 further comprising resizing and rotating the Locator a center point by dragging and dropping the cursor at predetermined locations on the Locator so as to allow manual resizing and reorienting of the Locator with respect to the nearest adjacent edge.]

[25. The method as set forth in claim 18 further comprising displaying operating parameters relating to a threshold for activating the Locator in an associated control box within the GUI.]

26. The method as set forth in claim [25] 18 wherein the threshold for activating the Locator is automatically determined by computing a threshold value based upon a magnitude value relative to the nearest adjacent edge.

27. The method as set forth in claim [25] 18 further comprising displaying the operating parameters [are] selectively in the control box by operating the cursor upon the Locator.

[28. The method as set forth in claim 17 wherein the Detector is adapted to be selected based upon at least one of brightness, contrast and a trained template.]

29. The method as set forth in claim 17 wherein the step of placing places the [Director] Detector on the image view relative to the position at which the cursor points so that a relative center of the Detector [as] is at the position at which the cursor points and an outer boundary of the [Director] Detector extends to a location that is within detected edges of the object image view.

[30. The method as set forth in claim 29 further comprising selecting the Detector based upon at least one of brightness, contrast and a trained template.]

[31. The method as set forth in claim 29 further comprising displaying operating parameters relating to a threshold for activating the Detector, brightness settings and contrast settings in an associated control box within the GUI and at a location adjacent to the Detector.]

[32. The method as set forth in claim 31 further comprising selectively displaying the operating parameters in the control box by operating the cursor upon the Detector.]

[33. The system as set forth in claim 29 wherein the outer boundary defines a circle, and further comprising resizing the Detector in diameter about a center point by dragging and dropping the cursor relative to the outer boundary.]

34. A system for placing at least one of a Locator and a Detector on a Graphical User Interface (GUI) display, the system comprising one or more processors performing the steps of:

providing an image view of an object derived from a vision sensor on the GUI display;

performing an edge detection process that identifies detectable object edges in the image view and stores edge information;

enabling selection of at least one of a (a) Locator and (b) a Detector for placement on the image view; and

automatically using the edge information to place the selected at least one of the (a) Locator and (b) Detector at a position on the image view with a size that is determined based upon edge information.

35. The system as set forth in claim 34 wherein the step of using the edge information to place one of a Locator and a Detector on the image view with a size based upon edge

information includes determining the size based upon a location of adjacent edges of the object in the screen image.

36. The system as set forth in claim 34 wherein the step of placing one of a Locator and a Detector includes placing a Locator on the image view relative to a nearest adjacent edge of the image view and adjusting the Locator so as to avoid a stronger-magnitude more-distant edge.

37. The system as set forth in claim 36 wherein the step of placing one of a Locator and a Detector includes sizing a width of the Locator so as to avoid the stronger-magnitude more-distant edge.

38. The system as set forth in claim 36 wherein the Locator includes a height based upon a line segment fit within a predetermined deviation away from the nearest adjacent edge.

39. The system as set forth in claim 38 wherein the line segment is oriented at a relative angle with respect to a vertical and a horizontal axis within the image view so as to cause the line segment to fit with minimum deviation from the nearest adjacent edge.

40. The system as set forth in claim 36 wherein the Locator is selected to be oriented with respect to a direction of relative motion of the object within a field of view of the vision sensor.

41. The system as set forth in claim 36 wherein the Locator is selected to be oriented with respect to (a) a direction of relative motion of the object within a field of view of the vision sensor, and at least one of (b) a direction transverse to the direction of relative motion and (c) a direction at an angle between (a) and (b).

42. The system as set forth in claim 36 wherein the operating parameters are selectively displayed in a control box by operating the cursor upon the Locator.

43. The system as set forth in claim 34 wherein the Detector is adapted to be selected based upon at least one of brightness, contrast and a trained template.

44. The system as set forth in claim 34 wherein the step of placing one of a Locator and a Detector includes placing the Detector on the image view relative to the position at which a cursor points so that a relative center of the Detector is at the position at which the cursor points and an outer boundary of the Detector extends to a location that is within detected edges of the object in the image view.

45. The system as set forth in claim 44 wherein the operating parameters are selectively displayed in the a control box by operating the cursor upon the Detector.

46. A method for placing at least one of a Locator and a Detector on a Graphical User Interface (GUI) display, the method comprising one or more processors performing the steps of:

displaying an image view of an object derived from a vision sensor on the GUI display;

performing an edge detection process that identifies detectable edges in the image view and stores edge information;

selecting at least one of a (a) Locator and (b) a Detector for placement on the image view; and

using the edge information to automatically place the selected at least one of the (a) Locator and (b) Detector at a position on the image view with a size that is determined based upon the edge information.

47. The method as set forth in claim 46 wherein the step of using the edge information to place includes placing the Locator on the image view relative to a nearest adjacent edge of the image view and to adjust the Locator so as to avoid a stronger-magnitude more-distant edge.

48. The method as set forth in claim 47 wherein the step of using the edge information to place includes sizing a width of the Locator so as to avoid the stronger-magnitude more-distant edge.

49. The method as set forth in claim 47 wherein the Locator includes a height based upon a line segment fit within a predetermined deviation away from the nearest adjacent edge.

50. The method as set forth in claim 49 wherein the line segment is oriented at a relative angle with respect to a vertical and a horizontal axis within the image view so as to cause the line segment to fit with minimum deviation from the nearest adjacent edge.

51. The method as set forth in claim 47 wherein the Locator is selected to be oriented with respect to the direction of relative motion of the object in a field of view of the vision sensor.

52. The method as set forth in claim 47 wherein the threshold for activating the Locator is automatically determined by computing a threshold value based upon a magnitude value relative to the nearest adjacent edge.

53. The method as set forth in claim 47 further comprising displaying the operating parameters selectively in the control box by operating a cursor upon the Locator.

54. The method as set forth in claim 46 wherein the step of using the edge information to place includes placing the Detector on the image view relative to the position at which a cursor points so that a relative center of the Detector is at the position at which the cursor points and an outer boundary of the Detector extends to a location that is within detected edges of the object within the image view.

* * * * *