

US00RE44326E

(19) **United States**
(12) **Reissued Patent**
Calderone et al.

(10) **Patent Number:** **US RE44,326 E**
(45) **Date of Reissued Patent:** **Jun. 25, 2013**

(54) **SYSTEM AND METHOD OF VOICE RECOGNITION NEAR A WIRELINE NODE OF A NETWORK SUPPORTING CABLE TELEVISION AND/OR VIDEO DELIVERY**

(58) **Field of Classification Search**
USPC 704/270.1, 270, 257, 243, 245, 254, 704/235, 256, 240, 275, 251, 231, 225, 201; 381/71.6, 71.7, 71.13; 379/93.03; 715/728, 715/272, 773
See application file for complete search history.

(75) Inventors: **Theodore Calderone**, Sequim, WA (US); **Paul M. Cook**, Menlo Park, CA (US); **Mark J. Foster**, Sunnyvale, CA (US)

(56) **References Cited**

(73) Assignee: **Promptu Systems Corporation**, Menlo Park, CA (US)

U.S. PATENT DOCUMENTS

(21) Appl. No.: **13/288,848**

4,445,215 A	4/1984	Svensden
4,506,387 A	3/1985	Walter
RE32,012 E	10/1985	Pirz et al.
4,557,550 A	12/1985	Beals et al.
4,633,499 A	12/1986	Nishioka et al.
4,653,045 A	3/1987	Stanley et al.
4,695,944 A	9/1987	Zandveld et al.

(22) Filed: **Nov. 3, 2011**

(Continued)

Related U.S. Patent Documents

FOREIGN PATENT DOCUMENTS

Reissue of:

(64) Patent No.: **7,685,523**
Issued: **Mar. 23, 2010**
Appl. No.: **11/283,176**
Filed: **Nov. 17, 2005**

EP	0576711	5/1994
EP	0621713	10/1994

(Continued)

U.S. Applications:

(63) Continuation of application No. 09/785,375, filed on Feb. 16, 2001, now Pat. No. 7,047,196, and a continuation-in-part of application No. 09/679,115, filed on Oct. 4, 2000, now abandoned.

OTHER PUBLICATIONS

“ACTV Awarded Three Key Digital Television Patents”, ACTV, Inc. Press Release, May 8, 2001, 2 pages.

(Continued)

(60) Provisional application No. 60/210,440, filed on Jun. 8, 2000.

Primary Examiner — Vijay B Chawan

(74) *Attorney, Agent, or Firm* — Michael A. Glenn; Glenn Patent Group

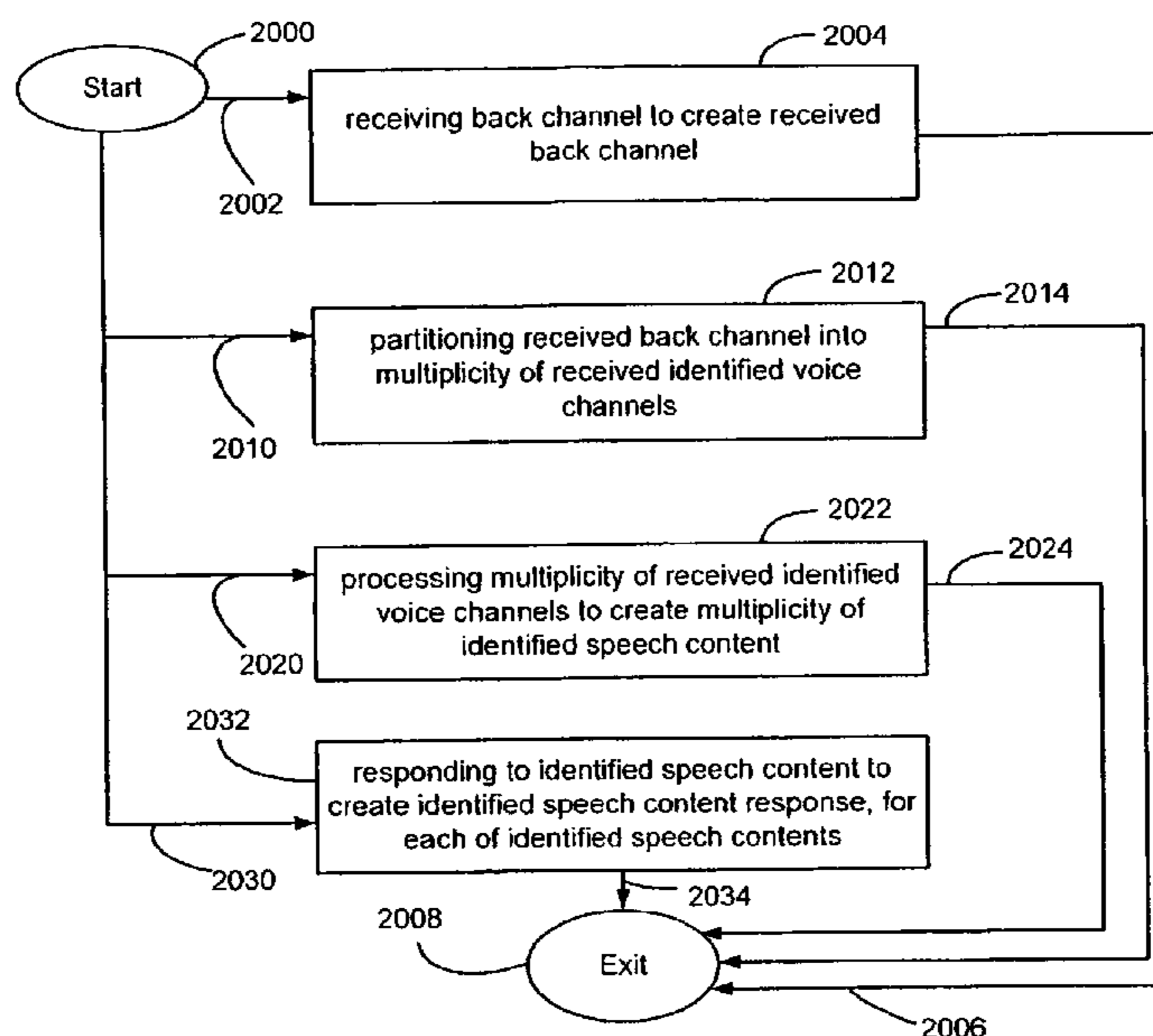
(51) **Int. Cl.**
G06F 3/16 (2006.01)

(57) **ABSTRACT**

A method and system of speech recognition presented by a back channel from multiple user sites within a network supporting cable television and/or video delivery is disclosed.

(52) **U.S. Cl.**
USPC **715/728; 715/272; 715/730; 704/270.1; 704/201; 704/246; 704/270; 705/34; 705/40**

42 Claims, 35 Drawing Sheets



US RE44,326 E

U.S. PATENT DOCUMENTS					
4,723,238 A	2/1988	Isreal et al.	5,353,336 A	10/1994	Hou et al.
4,728,169 A	3/1988	Campbell et al.	5,369,575 A	11/1994	Lamberti et al.
4,741,585 A	5/1988	Uken	5,386,556 A	1/1995	Hedin et al.
4,747,652 A	5/1988	Campbell et al.	5,408,609 A	4/1995	Malgogne et al.
4,757,541 A	7/1988	Beadles	5,420,552 A	5/1995	Sakka
4,768,854 A	9/1988	Campbell et al.	5,434,777 A	7/1995	Luciw
4,780,906 A	10/1988	Rajasekaran et al.	5,442,749 A	8/1995	Northcutt et al.
4,783,809 A	11/1988	Gilnski	5,446,489 A	8/1995	Egendorf
4,790,617 A	12/1988	Campbell et al.	5,475,792 A	12/1995	Stanford et al.
4,797,910 A	1/1989	Daudelin	5,500,920 A	3/1996	Kupiec
4,815,805 A	3/1989	Levinson et al.	5,513,298 A	4/1996	Stanford et al.
4,815,817 A	3/1989	Levinson	5,519,608 A	5/1996	Kupiec
4,821,027 A	4/1989	Mallory et al.	5,526,034 A	6/1996	Hoarty et al.
4,821,265 A	4/1989	Albal et al.	5,546,119 A	8/1996	Bestler et al.
4,822,125 A	4/1989	Beals et al.	5,546,596 A	8/1996	Geist
4,824,199 A	4/1989	Uken	5,550,578 A	8/1996	Hoarty et al.
4,827,520 A	5/1989	Zeinstra	5,553,119 A	9/1996	McAllister et al.
4,834,482 A	5/1989	Campbell et al.	5,559,625 A *	9/1996	Smith et al. 398/66
4,837,830 A	6/1989	Wrench et al.	5,564,001 A	10/1996	Lewis
4,847,885 A	7/1989	Vittorelli	5,566,271 A	10/1996	Tomitsuka et al.
4,866,778 A	9/1989	Baker	5,581,555 A	12/1996	Dubberly et al.
4,889,403 A	12/1989	Zucker et al.	5,585,858 A	12/1996	Harper et al.
4,903,258 A	2/1990	Kuhlmann et al.	5,590,345 A	12/1996	Barker et al.
4,907,079 A	3/1990	Turner et al.	5,590,356 A	12/1996	Gilbert
4,907,225 A	3/1990	Gulick et al.	5,602,963 A	2/1997	Bissonnette
4,931,950 A	6/1990	Isle et al.	5,604,739 A	2/1997	Buhrgard et al.
4,939,728 A	7/1990	Markkula et al.	5,608,448 A	3/1997	Smoral et al.
4,949,338 A	8/1990	Albal et al.	5,608,624 A	3/1997	Luciw
4,955,018 A	9/1990	Twitty et al.	5,613,191 A	3/1997	Hylton et al.
4,959,855 A	9/1990	Daudelin	5,615,296 A	3/1997	Stanford et al.
4,962,497 A	10/1990	Ferenc et al.	5,625,814 A	4/1997	Luciw
4,972,485 A	11/1990	Dautrich et al.	5,630,061 A	5/1997	Richter et al.
4,981,334 A	1/1991	Sniadower	5,630,162 A	5/1997	Wilkinson et al.
4,983,008 A	1/1991	Campbell et al.	5,634,086 A	5/1997	Rtischev et al.
4,984,237 A	1/1991	Franaszek	5,642,519 A	6/1997	Martin
4,991,217 A	2/1991	Garrett et al.	5,648,969 A	7/1997	Pasternak et al.
4,993,017 A	2/1991	Bachinger et al.	5,661,005 A	8/1997	Shattil et al.
5,001,711 A	3/1991	Obana et al.	5,664,061 A	9/1997	Andreshak
5,006,987 A	4/1991	Harless	5,666,400 A	9/1997	McAllister et al.
5,007,013 A	4/1991	Elms	5,668,929 A	9/1997	Foster
5,029,962 A	7/1991	Uken et al.	5,669,008 A	9/1997	Galles et al.
5,037,170 A	8/1991	Uken et al.	5,671,225 A	9/1997	Hooper
5,080,506 A	1/1992	Campbell et al.	5,671,328 A	9/1997	Fitzpatrick et al.
5,093,827 A	3/1992	Franklin et al.	5,682,539 A	10/1997	Conrad et al.
5,124,978 A	6/1992	Chao	5,708,836 A	1/1998	Wilkinson et al.
5,125,024 A	6/1992	Gokcen et al.	5,710,935 A	1/1998	Barker et al.
5,127,003 A	6/1992	Doll, Jr. et al.	5,717,943 A	2/1998	Barker et al.
5,130,984 A	7/1992	Cisneros	5,719,860 A	2/1998	Maison et al.
5,155,760 A	10/1992	Johnson et al.	5,719,921 A	2/1998	Vysotsky et al.
5,157,654 A	10/1992	Cisneros	5,721,827 A	2/1998	Logan et al.
5,163,083 A	11/1992	Dowden et al.	5,721,902 A	2/1998	Schultz
5,165,095 A	11/1992	Borcherding	5,721,938 A	2/1998	Stuckey
5,179,552 A	1/1993	Chao	5,726,984 A	3/1998	Kubler et al.
5,181,017 A	1/1993	Frey, Jr. et al.	5,726,990 A	3/1998	Shimada et al.
5,181,237 A	1/1993	Dowden et al.	5,729,659 A	3/1998	Potter
5,193,132 A	3/1993	Uken et al.	5,732,216 A	3/1998	Logan et al.
5,197,005 A	3/1993	Shwartz et al.	5,734,921 A	3/1998	Dapp et al.
5,199,062 A	3/1993	Von Meister et al.	5,737,495 A	4/1998	Adams et al.
5,208,848 A	5/1993	Pula	5,742,762 A	4/1998	Scholl et al.
5,210,754 A	5/1993	Takahashi et al.	5,748,841 A	5/1998	Morin et al.
5,220,657 A	6/1993	Bly et al.	5,748,974 A	5/1998	Johnson
5,223,968 A	6/1993	Stringer et al.	5,752,068 A	5/1998	Gilbert
5,225,902 A	7/1993	McMullan, Jr.	5,752,232 A	5/1998	Basore et al.
5,231,670 A	7/1993	Goldhar et al.	5,752,246 A	5/1998	Rogers
5,247,347 A	9/1993	Litteral et al.	5,774,525 A	6/1998	Kanevsky et al.
5,255,305 A	10/1993	Sattar	5,774,841 A	6/1998	Salazar et al.
5,271,088 A	12/1993	Bahler	5,774,859 A	6/1998	Houser et al.
5,274,560 A	12/1993	LaRue	5,774,860 A	6/1998	Bayya et al.
5,315,304 A	5/1994	Ghaleb et al.	5,777,571 A	7/1998	Chuang
5,321,400 A	6/1994	Sasaki et al.	5,793,770 A	8/1998	St. John et al.
5,323,064 A	6/1994	Bacon et al.	5,794,050 A	8/1998	Dahigren
5,325,421 A	6/1994	Hou et al.	5,794,205 A	8/1998	Walters et al.
5,329,608 A	7/1994	Bocchieri et al.	5,802,526 A	9/1998	Fawcett et al.
5,333,237 A	7/1994	Stefanopoulos et al.	5,805,775 A	9/1998	Eberman et al.
5,333,320 A	7/1994	Seki	5,809,471 A	9/1998	Brodsky
5,335,276 A	8/1994	Thompson et al.	5,812,977 A	9/1998	Douglas
5,345,538 A	9/1994	Narayannan et al.	5,818,834 A	10/1998	Skierszkan et al.
5,349,678 A	9/1994	Morris et al.	5,819,220 A	10/1998	Sarukkal et al.
			5,819,225 A	10/1998	Eastwood et al.

US RE44,326 E

5,821,508 A	10/1998	Willard	6,119,162 A	9/2000	Li et al.
5,822,727 A	10/1998	Garberg et al.	6,122,362 A	9/2000	Smith et al.
5,826,267 A	10/1998	McMillan	6,125,376 A *	9/2000	Klarlund et al. 715/205
5,832,063 A	11/1998	Vysotsky et al.	6,128,642 A	10/2000	Doraswamy et al.
5,832,439 A	11/1998	Cox, Jr. et al.	6,137,777 A	10/2000	Vaid et al.
5,842,031 A	11/1998	Barker et al.	6,141,653 A	10/2000	Conklin et al.
5,842,034 A	11/1998	Bolstad et al.	6,141,691 A	10/2000	Frink et al.
5,844,888 A	12/1998	Markkula et al.	6,145,001 A	11/2000	Scholl et al.
5,855,002 A	12/1998	Armstrong	6,151,319 A	11/2000	Dommety et al.
5,860,059 A	1/1999	Aust et al.	6,161,149 A	12/2000	Achacoso et al.
5,864,810 A	1/1999	Digalakis et al.	6,173,279 B1	1/2001	Levin et al.
5,864,815 A	1/1999	Rozak et al.	6,181,334 B1	1/2001	Freemen et al.
5,864,819 A	1/1999	De Armas et al.	6,182,052 B1	1/2001	Fulton et al.
5,867,817 A	2/1999	Catallo et al.	6,182,136 B1	1/2001	Ramanathan et al.
5,870,134 A	2/1999	Laubach et al.	6,182,139 B1	1/2001	Brendel
5,874,939 A	2/1999	Galvin	6,184,808 B1	2/2001	Nakamura
5,882,168 A	3/1999	Thompson et al.	6,185,619 B1	2/2001	Joffe et al.
5,883,901 A	3/1999	Chiu et al.	6,192,338 B1	2/2001	Haszto et al.
5,884,265 A	3/1999	Squitteri et al.	6,192,340 B1	2/2001	Abecassis
5,885,083 A	3/1999	Ferrell	6,192,408 B1	2/2001	Vahalia et al.
5,890,122 A	3/1999	Van Kleeck et al.	6,198,822 B1	3/2001	Doyle et al.
5,890,123 A	3/1999	Brown et al.	6,204,843 B1	3/2001	Freeman et al.
5,892,813 A	4/1999	Morin et al.	6,205,582 B1	3/2001	Hoarty
5,893,063 A	4/1999	Loats et al.	6,208,650 B1	3/2001	Hassell et al.
5,894,474 A	4/1999	Maison et al.	6,208,959 B1 *	3/2001	Jonsson et al. 704/209
5,898,827 A	4/1999	Hornung et al.	6,212,280 B1	4/2001	Howard, Jr. et al.
5,903,870 A	5/1999	Kaufman	6,215,484 B1	4/2001	Freeman et al.
5,915,001 A	6/1999	Uppaluru	6,215,789 B1	4/2001	Keenan et al.
5,917,891 A	6/1999	Will	6,225,976 B1	5/2001	Yates et al.
5,920,841 A	7/1999	Schottmuller et al.	6,320,947 B1	11/2001	Joyce
5,923,653 A	7/1999	Denton	6,353,444 B1	3/2002	Katta et al.
5,923,738 A	7/1999	Cardillo, IV et al.	6,369,614 B1	4/2002	Ridgway
5,929,850 A	7/1999	Broadwin et al.	6,370,499 B1	4/2002	Fujii
5,930,341 A	7/1999	Cardillo, IV et al.	6,374,177 B1	4/2002	Lee
5,933,607 A	8/1999	Tate et al.	6,381,316 B2	4/2002	Joyce
5,933,835 A	8/1999	Adams et al.	6,401,066 B1	6/2002	McIntosh
5,937,041 A	8/1999	Cardillo, IV et al.	6,445,717 B1	9/2002	Gibson et al.
5,944,779 A	8/1999	Blum	6,480,703 B1	11/2002	Calderone et al.
5,946,050 A	8/1999	Wolff	6,510,157 B2	1/2003	Kwok et al.
5,953,700 A	9/1999	Kanevsky et al.	6,523,061 B1	2/2003	Halverson et al.
5,960,209 A	9/1999	Blount et al.	6,543,052 B1	4/2003	Ogasawara
5,960,399 A	9/1999	Barclay et al.	6,570,913 B1	5/2003	Chen
5,963,557 A	10/1999	Eng	6,573,907 B1	6/2003	Madrane
5,963,940 A	10/1999	Liddy et al.	6,633,846 B1	10/2003	Bennett et al.
5,966,528 A	10/1999	Wilkinson et al.	6,658,414 B2	12/2003	Bryan
5,970,457 A	10/1999	Brant et al.	6,661,778 B1	12/2003	Trofin et al.
5,970,473 A	10/1999	Gerszberg et al.	6,668,292 B2	12/2003	Meyer et al.
5,974,385 A	10/1999	Ponting et al.	6,711,543 B2	3/2004	Cameron
5,987,518 A	11/1999	Gotwald	6,714,632 B2	3/2004	Joyce
5,991,365 A	11/1999	Pizano et al.	6,721,633 B2	4/2004	Funk
5,991,719 A	11/1999	Yazaki et al.	6,725,022 B1	4/2004	Clayton
5,999,970 A	12/1999	Krisbergh et al.	6,728,531 B1	4/2004	Lee
6,002,851 A	12/1999	Basavaiah et al.	6,742,021 B1	5/2004	Halverson et al.
6,003,072 A	12/1999	Gerritsen et al.	6,750,792 B2	6/2004	Azami et al.
6,009,107 A	12/1999	Arvidsson et al.	6,785,653 B1	8/2004	White et al.
6,009,383 A *	12/1999	Mony 704/200	6,799,201 B1	9/2004	Lee
6,009,398 A	12/1999	Mueller	6,889,191 B2	5/2005	Rodriguez et al.
6,009,470 A	12/1999	Watkins	6,892,083 B2	5/2005	Shostak
6,012,030 A	1/2000	French-St. George et al.	6,895,379 B2	5/2005	Smyers et al.
6,014,817 A	1/2000	Thompson et al.	6,934,963 B1	8/2005	Reynolds et al.
6,015,300 A	1/2000	Schmidt et al.	7,013,283 B1	3/2006	Murdock et al.
6,018,711 A	1/2000	French-St. George et al.	7,047,196 B2	5/2006	Calderone et al.
6,021,371 A	2/2000	Fultz	7,113,981 B2	9/2006	Slate
6,026,388 A	2/2000	Liddy et al.	7,233,898 B2	6/2007	Byrnes et al.
6,034,678 A	3/2000	Hoarty et al.	7,260,538 B2	8/2007	Calderone et al.
6,035,267 A	3/2000	Watanabe et al.	7,471,786 B2	12/2008	Erhart et al.
6,035,275 A	3/2000	Brode et al.	7,685,523 B2 *	3/2010	Calderone et al. 715/728
6,047,319 A	4/2000	Olson	2001/0007149 A1	7/2001	Smith
6,078,733 A	6/2000	Osborne	2001/0019604 A1	9/2001	Joyce et al.
6,084,572 A	7/2000	Yaniger et al.	2002/0012352 A1	1/2002	Hansson et al.
6,091,729 A	7/2000	Dove	2002/0015480 A1	2/2002	Daswani et al.
6,100,841 A	8/2000	Toth et al.	2002/0049535 A1	4/2002	Rigo et al.
6,100,882 A	8/2000	Sharman et al.	2002/0052746 A1	5/2002	Handelman
6,100,883 A	8/2000	Hoarty	2002/0103656 A1	8/2002	Bahler et al.
6,108,565 A	8/2000	Scherzer	2002/0106065 A1	8/2002	Joyce et al.
6,112,245 A	8/2000	Araujo et al.	2002/0118676 A1 *	8/2002	Tonnby et al. 370/352
6,115,584 A	9/2000	Tait et al.	2002/0146015 A1	10/2002	Bryan et al.
6,115,737 A *	9/2000	Ely et al. 709/203	2002/0147579 A1	10/2002	Kushner et al.
6,118,785 A	9/2000	Araujo et al.	2003/0023444 A1	1/2003	St. John

2003/0028380 A1 2/2003 Freeland et al.
 2003/0033152 A1 2/2003 Cameron
 2003/0046083 A1 3/2003 Devinney et al.
 2003/0061039 A1 3/2003 Levin
 2003/0065427 A1 4/2003 Funk
 2003/0068154 A1 4/2003 Zylka et al.
 2003/0073434 A1 4/2003 Shostak
 2003/0167171 A1 9/2003 Calderone et al.
 2003/0187646 A1* 10/2003 Smyers et al. 704/257
 2004/0064839 A1 4/2004 Watkins
 2004/0077334 A1 4/2004 Joyce et al.
 2004/0110472 A1 6/2004 Witkowski
 2004/0127241 A1 7/2004 Shostak
 2004/0132433 A1 7/2004 Stern et al.
 2005/0143139 A1 6/2005 Park
 2005/0144251 A1 6/2005 Slate
 2005/0170863 A1 8/2005 Shostak
 2006/0018440 A1 1/2006 Watkins et al.
 2006/0050686 A1 3/2006 Velez et al.
 2006/0085521 A1 4/2006 Szybel
 2006/0206339 A1 9/2006 Silvera et al.
 2006/0206340 A1 9/2006 Silvera et al.

FOREIGN PATENT DOCUMENTS

EP 0782337 7/1997
 EP 0285330 5/1998
 EP 0895396 2/1999
 EP 1094406 4/2001
 EP 1122902 8/2001
 EP 1341363 9/2003
 EP 1003018 5/2005
 EP 1633150 3/2006
 EP 1633151 3/2006
 EP 1742437 1/2007
 JP 11-98022 4/1999
 WO WO-9826595 6/1998
 WO WO-9930501 6/1999
 WO WO-00/03542 1/2000
 WO WO-00/16568 3/2000
 WO 00/24198 4/2000 7/173
 WO WO-00/21232 4/2000
 WO WO-0024198 4/2000
 WO WO-01/22112 3/2001
 WO WO-01/22249 3/2001
 WO WO-01/22633 3/2001
 WO WO-01/22712 3/2001
 WO WO-01/22713 3/2001
 WO WO-01/39178 5/2001
 WO WO-01/57851 8/2001
 WO WO-02/07050 1/2002
 WO WO-02/11120 2/2002
 WO WO-02/17090 2/2002
 WO WO-02/23900 3/2002
 WO WO-02/097590 12/2002
 WO WO-2004/021149 3/2004
 WO WO-2004/077721 9/2004
 WO WO-2005/079254 9/2005
 WO WO-2006/029269 3/2006
 WO WO-2006/033841 3/2006
 WO WO-2006/098789 9/2006

OTHER PUBLICATIONS

“AMD Discloses New Technologies at Microprocessor Forum”, AMD News Release #99105, retrieved online from url: <http://www.amd.com/news/prodpr/99105.html>, Oct. 5, 1999, 7 pages.
 “Command Talk”, SRI printouts retrieved online from url: <http://www.ai.sri.com/~lesaf/commandtalk.html>, Mar. 10, 2000, 53 pages.
 “Cray Inc. Announces Plans for Alpha Linux Supercluster System”, E-mail from Jim Jervis (client) to Michael Glenn (attorney), Feb. 12, 2001, 4 pages.
 “Fwd: Large Linux Cluster”, E-mail from Jim Jervis (client) to Michael Glenn (attorney), Jan. 15, 2001, 6 pages.
 “Fwd: Re: One Voice Technologies”, E-mail from Jim Jervis (client) to Michael Glenn (attorney), Feb. 15, 2001, 6 pages.
 “HyperTransport Technology Frequently Asked Questions”, retrieved online from url: www1.amd.com/products/cpg/showall/1,1395,,00.html?type=HyperTransport, 2 pages.

“InfoWiz: An Animated Voice Interactive Information System”, retrieved on Mar. 10, 2000 from url: <http://www.ai.sri.com/~oaa/infowiz.html>, 5 pages.
 “Integrated Audio-Graphics User Interface”, IBM Technical Disclosure Bulletin, Apr. 1991, 5 pages.
 “Simple Ui to Retrieve Favorites”, Hand out from SRI International, copyright 1999, 1 page.
 “Sprint Begins Voice-Activated E-Mail”, Associated Press-New York Times, May 23, 2001, 2 pages.
 “Where can I get an inVoca?”, retrieved from url: <http://invoca.com/home/htm>, Nov. 2006, 2 pages.
 Ascierio, Jerry , “Rival post-PCI plans spark talk of bus war”, Electronic Engineering Times, No. 1160, printout from INSPEC, Apr. 2, 2001, 4 pages.
 Bedicheck, , “The Meerkat Multicomputer: Tradeoffs in Multicomputer Architecture”, Dissertation given at University of Washington, 1994, 150 pages.
 Buffam, , “{E-CARM} Non-repudiation (Was: A biometric tangent . . .)”, E-mail from Bill Buffam to Carl Ellison; from url: <http://legalminds.lp.findlaw.com/list/e-carm/msg01096.html>, May 8, 1998, 2 pages.
 Cam, et al., “Work Efficient Routing Algorithms for Rearrangeable Symmetrical Networks”, IEEE Transaction on Parallel and Distributed Systems, vol. 10, No. 7, Jul. 1999, pp. 733-741.
 Chang, Chien-Ping et al., “Edge Congestion and Topological Properties of Crossed Cubes”, IEEE Transactions on Parallel and Distributed Systems, vol. 11, No. 1, Jan. 2000, pp. 64-80.
 Dowding, et al., “Gemini: a Natural Language System for Spoken-Language Understanding”, Proc. 31st Annual Meeting for the Association for Computational Linguistics, Jun. 1993, 8 pages.
 Dowding, et al., “Interleaving Syntax and Semantics in an Efficient Bottom-Up Parser”, Proc. of the 32nd Annual Meeting of the Association for Computational Linguistics, Jun. 1994, 7 pages.
 Dowding, et al., “Interpreting Language in Context in CommandTalk”, Feb. 1999, 4 pages.
 Dunn, Darrell , “API Revving Up Hypertransport Bus—Looks to raise interest in the technology via chip that links it to PCI”, EBN, printout from INSPEC, Apr. 2, 2001, 3 pages.
 Fu, et al., “Cyclic-Cubes: A New Family of Interconnection Networks of Even Fixed-Degrees”, IEEE Transactions on Parallel and Distributed Systems, vol. 9, No. 12, Dec. 1998, pp. 1253-1266.
 Gwennap, Linley , “AMD Strikes Lightning”, Electronic Engineering Times, printout from INSPEC, Feb. 19, 2001, 2 pages.
 Hwang, , “Resource Scaling Effects on MPP Performance: the STAP Benchmark Implications”, IEEE Transactions on Parallel and Distributed Systems, vol. 10, No. 5, May 1999, 19 pages.
 Jervis, Jim , “Fwd: Ars Technica: Inside the KLAT2 Supercomputer—p. 1”, E-mail from client (Jim Jervis) to attorney (Michael Glenn), Jun. 2000, 9 pages.
 Julia, Luc et al., “<http://www.speech.sri.com/demos/atis.html>”, Proc. AAI '97, Jul. 1997, 5 pages.
 Karney, , “A Sound Proposition Even Early on, There are Already Ways to Voice-enable a Site”, Internet World, Jan. 15, 2001, 2 pages.
 Lacy, et al., “The Offset Cube: A Three Dimensional Multicomputer Network Topology Using Through-Wafer Optics”, IEEE Transaction on Parallel and Distributed Systems, vol. 9 No. 9, Sep. 1998, pp. 893-908.
 Matthew, Jayant , “AMD Unveils Speedy Chip-to-Chip Link”, Electronic News, printout from INSPEC, Feb. 19, 2001, 3 pages.
 Matthew, Jayant , “API NetWorks Introduces the First HyperTransport-to-PCI Bridge Chip”, Electronic News, printout from INSPEC, Apr. 2, 2001, 2 pages.
 Meyerson, , “Voice Recognition Still Selective”, Yahoo! News Alerts, Jan. 15, 2000, 4 pages.
 Miles, , “Will Microsoft’s Next OS run your TV?”, Yahoo! Daily News, Sep. 5, 2000, 3 pages.
 Miller, Mark , “Which route for routers?: Buyer’s Guide, As vendors relocate the function of routers, look for those devices to take on many new faces”, Network World, INSPEC printout, Aug. 28, 1995, 5 pages.

- Moore, et al., "Combining Linguistic and Statistical Knowledge Sources in Natural-Language Processing for ATIS", Proc. ARPA Spoken Language Systems Technology Workshop, Austin, Texas, Jan. 1995, 4 pages.
- Moore, et al., "CommandTalk: A Spoken-Language Interface for Battlefield Simulations", Oct. 23, 1997, 9 pages.
- Parhami, et al., "Correction to 'Periodically Regular Chordal Rings'", IEEE Transactions on Parallel and Distributed Systems, vol. 10, No. 7, Jul. 1999, pp. 767-768.
- Parhami, et al., "Periodically Regular Chordal Rings", IEEE Transaction on Parallel and Distributed Systems, vol. 10, No. 6, Jun. 1999, pp. 658-672.
- Patterson, et al., "Computer Organization & Design: The Hardware/Software Interface", Morgan Kaufmann Publishers, 2nd Ed., 1998, pp. 667-670.
- Paulson, Linda D. , "New Bus Technology Boosts Performance", News Briefs, Apr. 2001, pp. 23-24.
- Pescovitz , "Monsters in a Box", Wired, Dec. 2000, 7 pages.
- Polifko, Dave , "The Optical Internet: Taking Up Where SONET Leaves Off", Telecommunication, printout from INSPEC, Jun. 2000, 4 pages.
- Popovich, Ken , "HyperTransport speeds data transfer (Advanced Micro Devices Inc.)", eWeek, printout from INSPEC, Feb. 26, 2001, 2 pages.
- Popovich, Ken , "Intel puts bus plan in gear—Chip maker challenges AMD's HyperTransport Architecture in bid to replace PCI in PC's, servers", eWeek, INSPEC printout, Mar. 12, 2001, 2 pages.
- Roberts-Witt, , "Talking to the Web", Internet World, Jan. 15, 2001, 2 pages.
- Stent, et al., "The CommandTalk Spoken Dialogue System", Proc. of the 37th Annual Meeting of the Assoc. for Computational Linguistics, College Park, Maryland, Jun. 1999, 8 pages.
- Stevens, Rick , "Future Directions in Computer and Systems Architecture for Scientific Computing", Futures Lab, Argonne, Chicago, undated, 130 pages.
- Wyard, et al., "Spoken Language Sytems—Beyond Prompt Response", BT Technology Journal, Jan. 1996, pp. 188-201.
- Yang, et al., "Optimal All-to-All Personalized Exchange in Self-Routable Multistage Networks", IEEE Transactions on Parallel and Distributed Systems, vol. 11, No. 3, Mar. 2000, pp. 261-274.
- Yen, et al., "G-Link: A chipset for gigabit-rate data communication", Hewlett-Packard Journal, Oct. 1992, 18 pages.
- ACTV Awarded Three Key Digital Television Patents: Coverage Extended to ACTV's Core Technology for Eliminating Video Switching Delay*; May 8, 2001; PRNewswire.
- Sprint Begins Voice-Activated E-Mail*; May 23, 1001; Associated Press—New York Times.
- John Dowding, Jean Mark Gawron, Doug Appelt, John Bear, Lynn Cherny, Robert Moore, and Douglas Moran; *Gemini: a Natural Language System for Spoken-Language Understanding*.
Info Wiz: An Animated Voice Interactive Information System; <http://www.ai.sri.com/~oaa/infowiz.html>.
- Robert Moore, Douglas Appelt, John Dowding, J. Mark Gawron, and Douglas Moran; *Combining Linguistic and Statistical Knowledge Sources in Natural-Language Processing for ATIS*.
- Amanda Stent, John Dowding, Jean Mark Gawron, eleizabeth Owen Bratt, and Robert Moore; *The CommandTalk Spoken Dialogue System*.
- John Dowding, Elizabeth Owen Bratt and Sharon Goldwater; *Interpreting Language in Context in CommandTalk*; Feb. 5, 1999.
- Robert Moore, John Dowding, Harry Bratt, J. Mark Gawron, Yonael Gorfu, and Adam Cheyer; *CommandTalk: A Spoken-Language Interface for Battlefield Simulations*; Oct. 23, 1997.
- John Dowding, Robert Moore, Francois Andry, and Douglas Moran; *Interleaving Syntax and Semantics in an Efficient Bottom-Up Parser*.
Robert C. Bedichek; *The Meerkat Multicomputer: Tradeoffs in Multicomputer Architecture*; Dissertation Given and University of Washington, 1994.
- James Karney; *A Sound Proposition Even Early on, There are Already Ways to Voice-enable a Site*; Jan. 15, 2001; Internet World.
- Sarah Roberts-Witt; *Talking to the Web*; Jan. 15, 2001; Internet World.
- Hand out from SRI International; *Simple Ui to Retrieve Favorites*.
Email dated Jan. 15, 2001; Subject *Fwd: Large Linux Cluster*.
Email: *Cray inc. Announces Plans for Alpha Linux Supercluster System*; Feb. 12, 2001.
Email: *Fwd: Re: One Voice Technologies*; Feb. 15, 2001.
Email: *Fwd: Ars Technica: Inside the KLAT2 Supercomputer*—p. 1.
53 Page printout from: <http://www.ai.sri.com> CommandTalk.
Printout: <http://WWW.SPEECH.SRI.COM/DEMOS/ATIS.HTML>.
Bruce Meyerson, *Vice Recognition Still Selective*, Jan. 15, 2000, Yahoo! News Alerts.
Where can I get an inVoca?, <http://invoca.com/home/htm>.
Integrated Audio-Graphics User Interface., Apr. 1991, IBM Technical Disclosure Bulletin.
- Stephanie Miles, *Will Microsoft's next OS run your TV?*, Sep. 5, 2000, Yahoo! Daily News.
- "Command Talk"; retrieved on Mar. 10, 2000 from website: <http://www.ai.sri.com/~lesaf/commandtalk.html>.
- Amanda Stent, John Dowding, Jean Mark Gawron, eleizabeth Owen Bratt, and Robert Moore; *The CommandTalk Spoken Dialogue System*; Jun. 1999; Proc. of the 37th Annual Meeting of the Assoc. for Computational Linguistics; College Park, Maryland.
- AMD Discloses New Technologies at Microprocessor Forum; Oct. 5, 1999; AMD—News Release #99105; <http://www.amd.com/news/prodpr/99105.html>; Printout from INSPEC.
- Chien-Ping Chang, Ting-Yi Sung and Lih-Hsing Hsu, *Edge Congestion and Topological Properties of Crossed Cubes*, IEEE Transactions on Parallel and Distributed Systems, v11, n1, Jan. 2000.
- Chu-Sun Yen, Richard C. Walker, Patrick T. Petruno; Cheryl Stout; Benny W.H. Lai; and William J. McFarland; *G-Link: A chipset for gigabit-rate data communication*; Hewlett-Packard Journal; Oct. 1992; print out from INSPEC.
- Darrell Dunn; *API Revving Up Hypertransport Bus—Looks to raise interest in the technology via chip that links it to PCI*; EBN; Apr. 2, 2001; Print out from INSPEC.
- Dave Polifko ; *The Optical Internet: Taking Up Where SONET Leaves Off*; Telecommunications; Jun. 2000; print out from INSPEC.
Email from Jim Jervis (client) to Michael Glenn (attorney): Dec. 4, 2000; "Fwd: Ars Technica: Inside the KLAT2 Supercomputer—p. 1—(Jun. 2000)".
- Fu, et al.; "Cyclic-Cubes: A New Family of Interconnection Networks of Even Fixed-Degrees"; Dec. 1998; IEEE Transactions on Parallel and Distributed Systems, vol. 9, No. 12.
- Hand out from SRI International; *Simple Ui to Retrieve Favorites*; copyright 1999.
- Hasan Cam and Jose A.B. Fortes, *Work Efficient Routing Algorithms for Rearrangeable Symmetrical Networks*, IEEE Transactions on Parellel and Distributed Systems, v10, n7, Jul. 1999.
- Hwang, et al.; "Resource Scaling Effects on MPP Performance: the STAP Benchmark Implications"; May 1999; IEEE Transactions on Parallel and Distributed Systems, vol. 10, No. 5.
- Info Wiz: An Animated Voice Interactive Information System*; undated, retrieved on Mar. 10, 2000 from website: <http://www.ai.sri.com/~oaa/infowiz.html>.
- Jayant Matthew; *ADM Unveils Speedy Chip-to-Chip Link*; Electronic News; Feb. 19, 2001; Print out from INSPEC.
- Jayant Matthew; *API NetWorks Introduces the First HyerTransport-to-PCI Bridge Chip*; Electronic News; Apr. 2, 2001; Print out from INSPEC.
- Jerry Ascierio; *Rival post-PCI plans spark talk of bus war*; Electronic Engineering Times; 2001, n 1160, Apr. 2, 2001; print out from INSPEC.
- John Dowding, Jean Mark Gawron, Doug Appelt, John Bear, Lynn Cherny, Robert Moore, and Douglas Moran; *Gemini: a Natural Language System for Spoken-Language Understanding*; Jun. 1993; Proc. 31st Annual Meeting of the Association for Computational Linguistics.
- John Dowding, Robert Moore, Francois Andry, and Douglas Moran; *Interleaving Syntax and Semantics in an Efficient Bottom-Up Parser*; Jun. 1994; Proc. of the 32nd Annual Meeting of the Association for Computational Linguistics.
- Ken Popovich; *HyperTransport speeds data transfer (Advanced Micro Devices Inc.)*; eWeek; Feb. 26, 2001; print out from INSPEC.

Ken Popovich; *Intel puts bus plan in gear—Chip maker challenges AMD's HyperTransport Architecture in bid to replace PCI in PC's, servers*; eWeek; Mar. 12, 2001; INPEC printout.

Lacy, et al.; "The Offset Cube: A Three Dimensional Multicomputer Network Topology Using Through-Wafer Optics"; Sep. 1998; IEEE Transactions on Parallel and Distributed Systems, vol. 9, No. 9.

Linley Gwennap; *AMD strikes Lightning*; Electronic Engineering Times; Feb. 19, 2001; print out from INSPEC.

Mark Miller; *Which route for routers?; Buyer's Guide, As vendors relocate the function of routers, look for those devices to take on many new faces*; Network World; Aug. 28, 1995; INSPEC print out.

Meyerson, Voice Recognition Still Selective, Jan. 15, 2000, Yahoo! News Alerts.

Parhami, et al.; "Correction to 'Periodically Regular Chordal Rings'"; Jul. 1999; IEEE Transactions on parallel and Distributed Systems, vol. 10, No. 7.

Parhami, et al.; "Periodically Regular Chordal Rings"; Jun. 1999; IEEE Transactions on parallel and Distributed Systems, vol. 10, No. 6.

Patterson, et al.; "Computer Organization & Design: The Hardware/Software Interface"; 1998; Morgan Kaufmann Publishers, 2nd Ed., pp. 667-670.

Pescovitz, David; "Monsters in a Box"; Dec. 2000; Wired.

Julia, Luc et al.; "<http://WWW.SPEECH.SRI.COM/DEMOS/ATIS.HTML>" Jul. 1997; Proc. AAAI '97.

Moore, Robert et al., *Combining Linguistic and Statistical Knowledge Sources in Natural-Language Processing for ATIS*; Jan. 1995; Proc. ARPA Spoken Language Systems Technology Workshop; Austin, TX.

Wyard, P.J., et al.; "Spoken Language Systems—Beyond Prompt Response"; 1996; BT Technology Journal; pp. 188-201.

Yuanyuan Yang, and Jianchao Wang, *Optimal All-to-All Personalized Exchange in Self-Routable Multisage Networks*, IEEE Transactions on Parallel and Distributed Systems, v11, n3, Mar. 2000.

Paulson, Linda Dailey; "New Bus Technology Boosts Performance"; Apr. 2001; News Briefs.

* cited by examiner

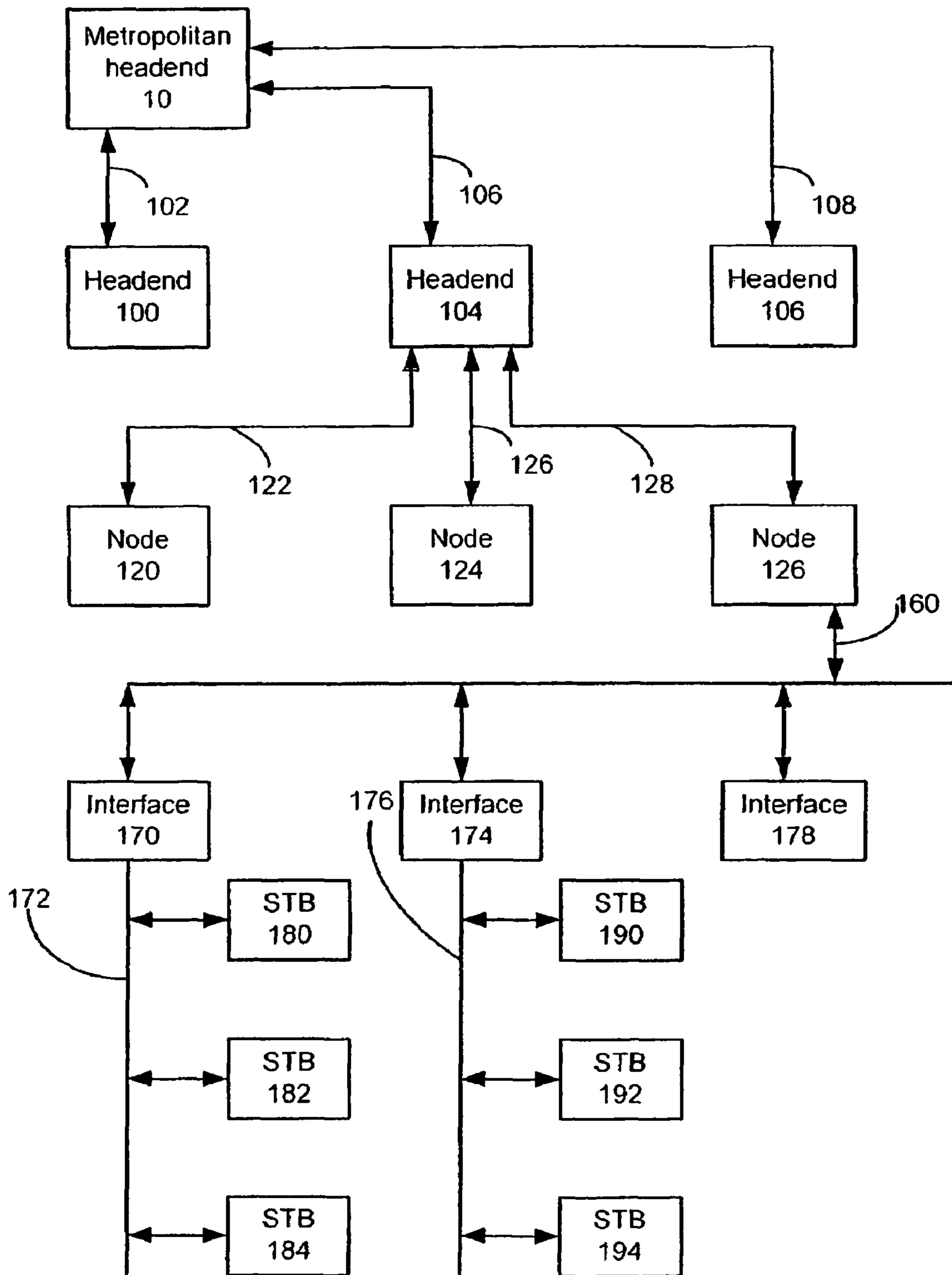


Fig. 1 Prior Art

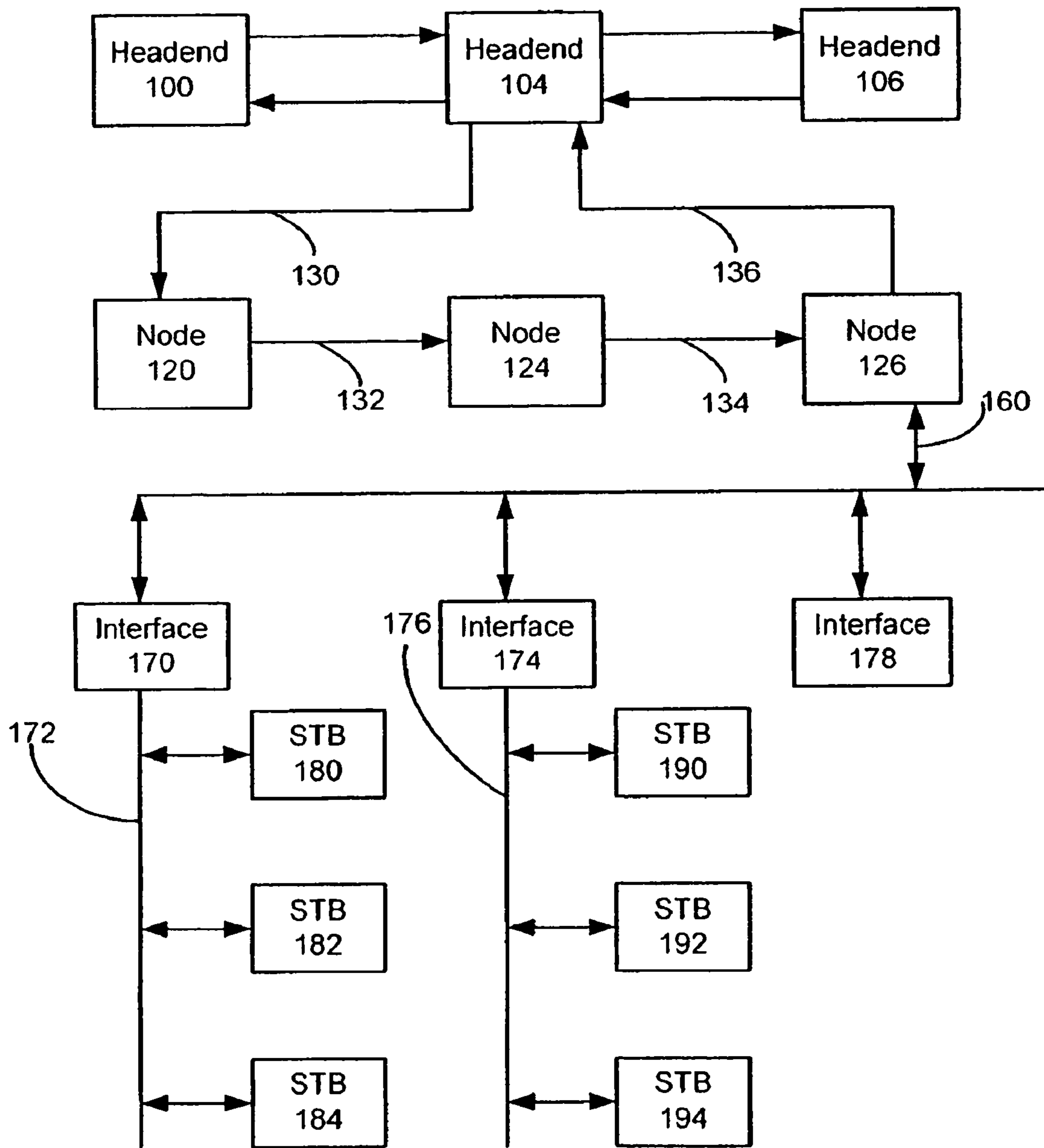


Fig. 2 Prior Art

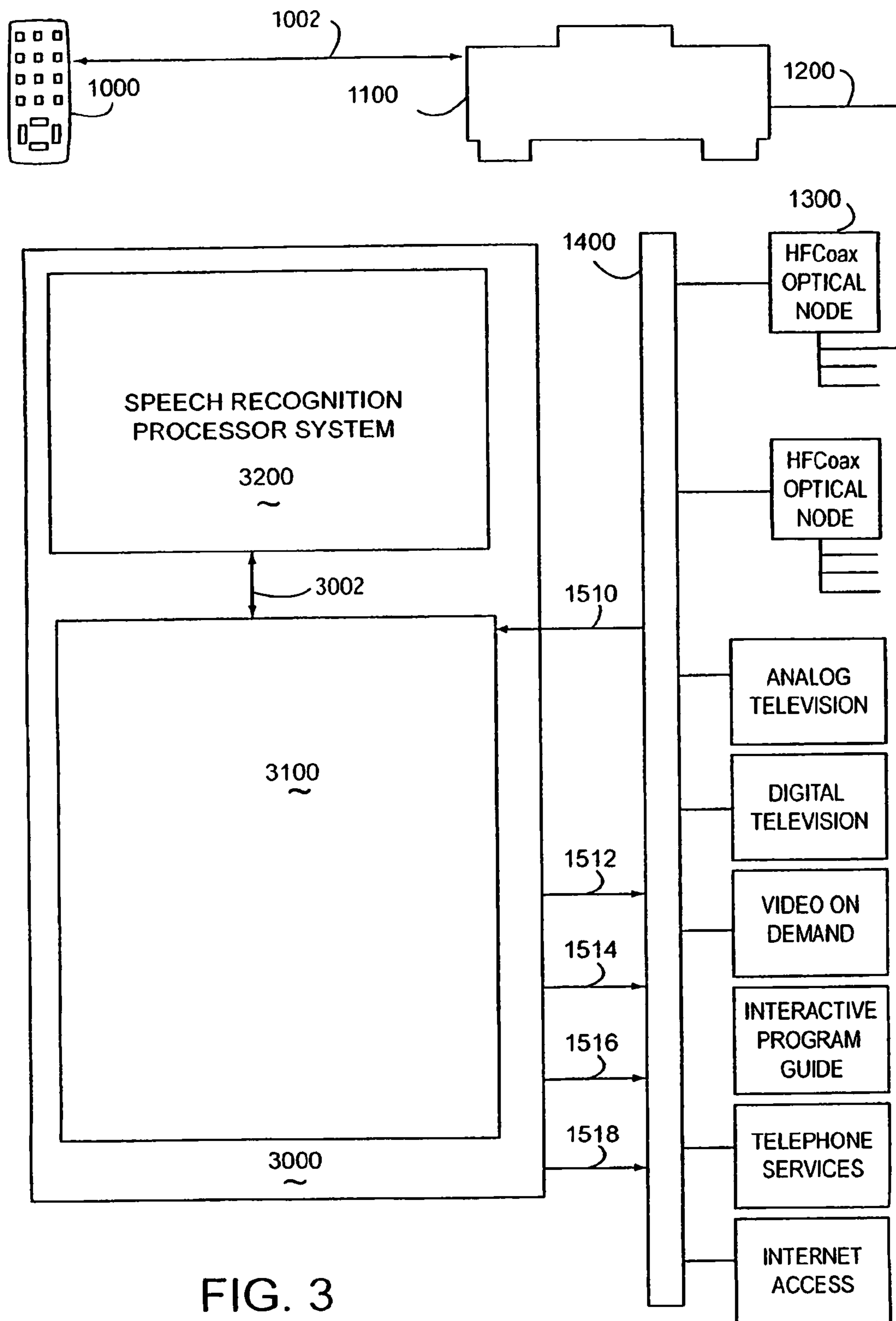


FIG. 3

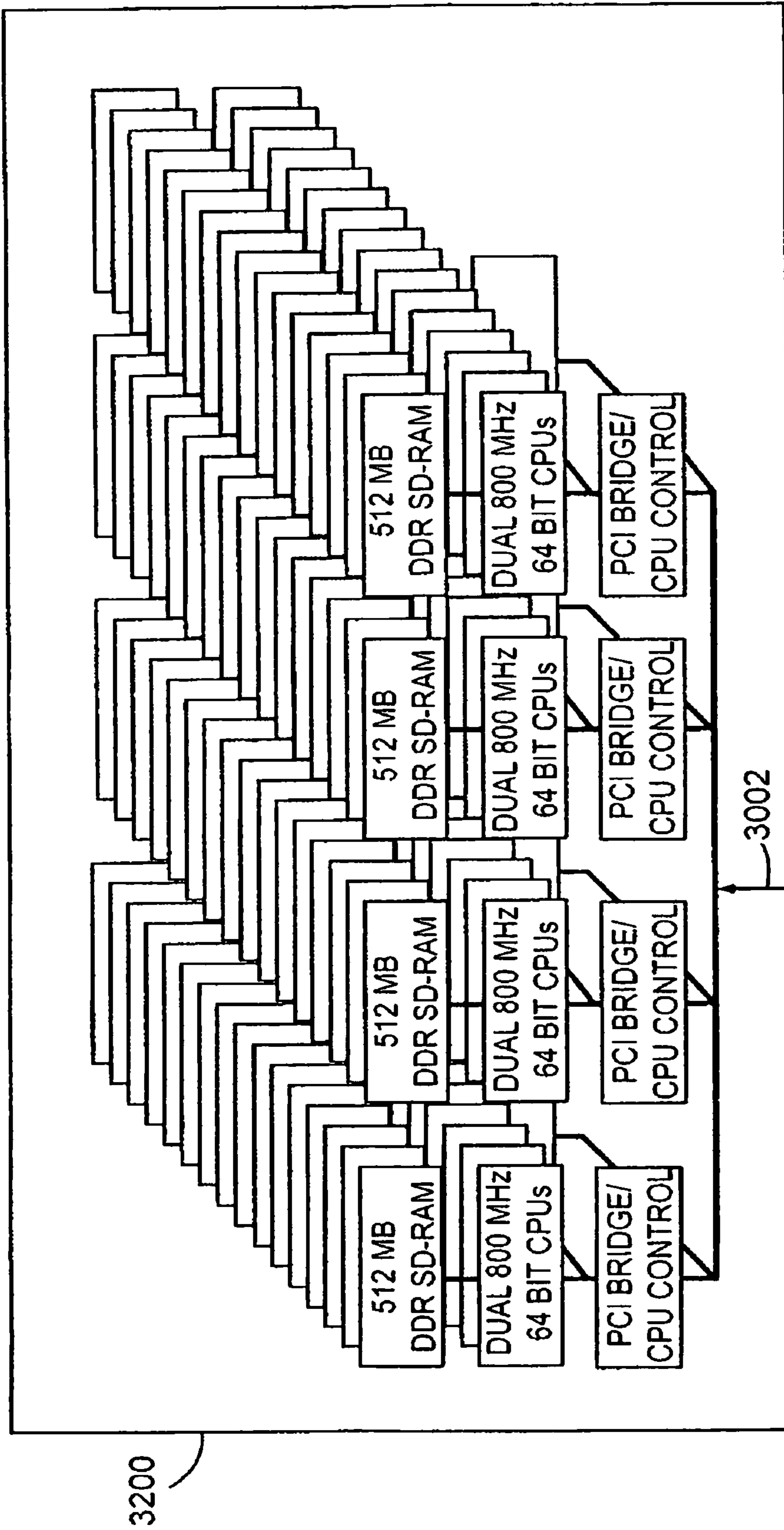


FIG. 4

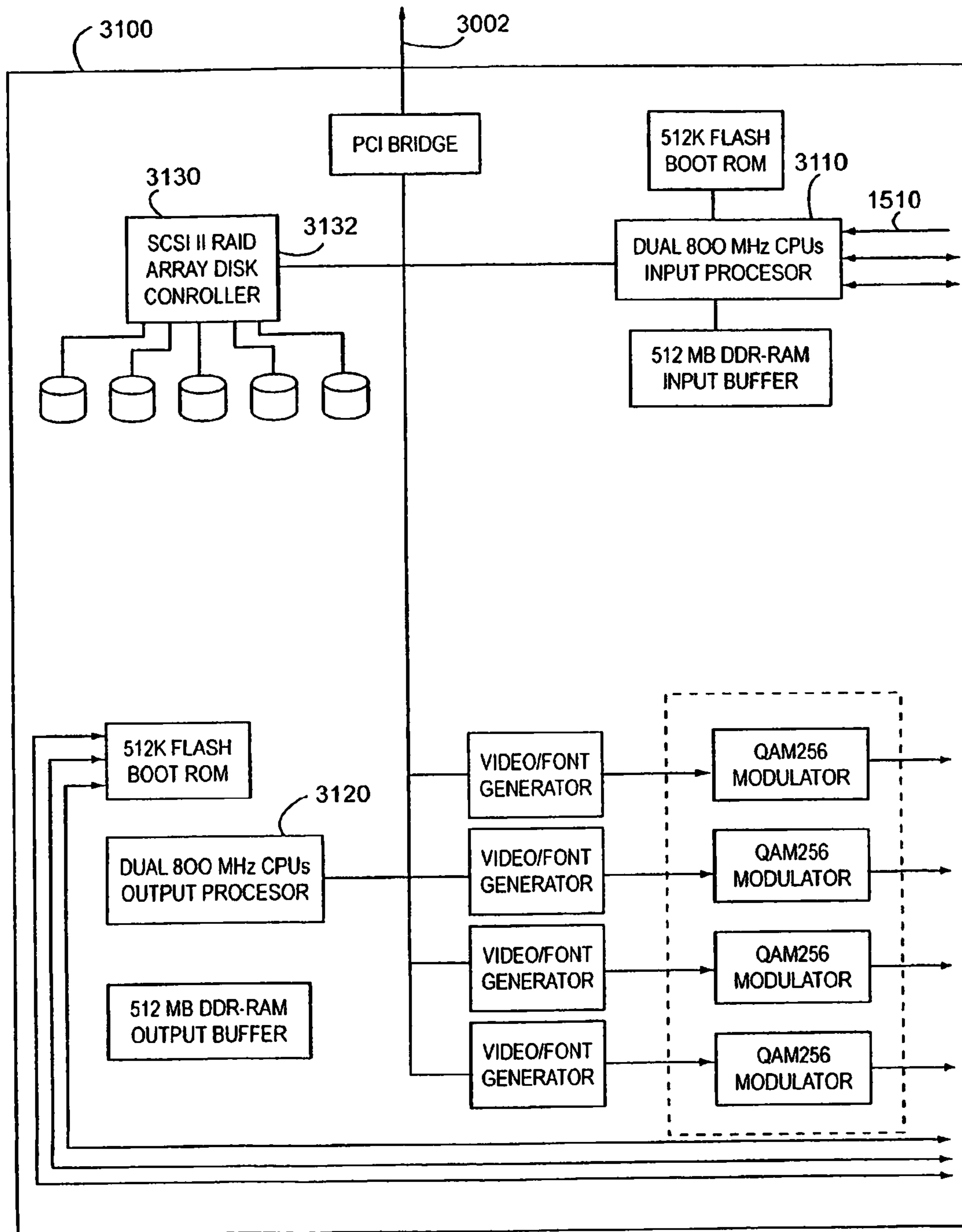


FIG. 5

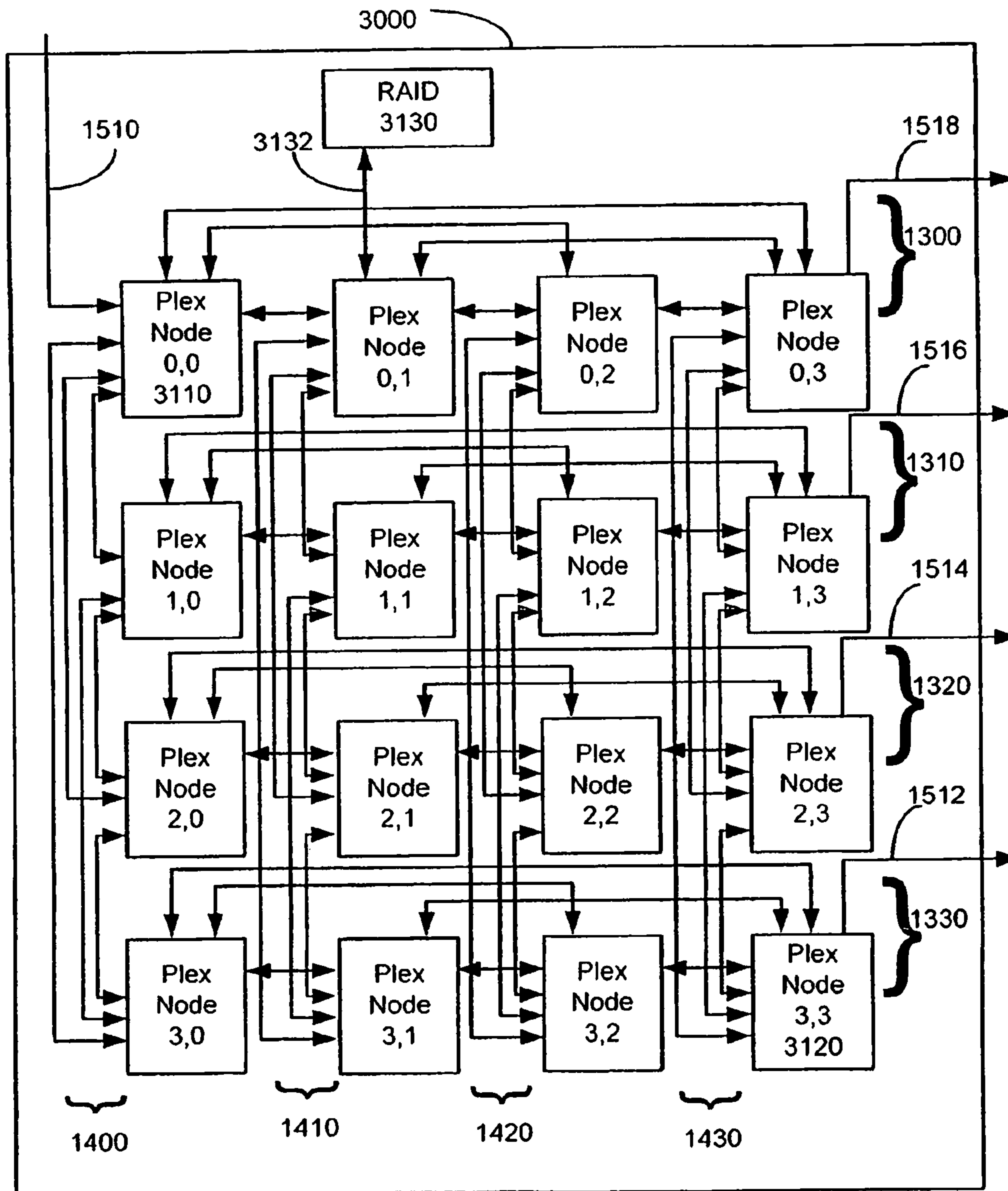


Fig. 6

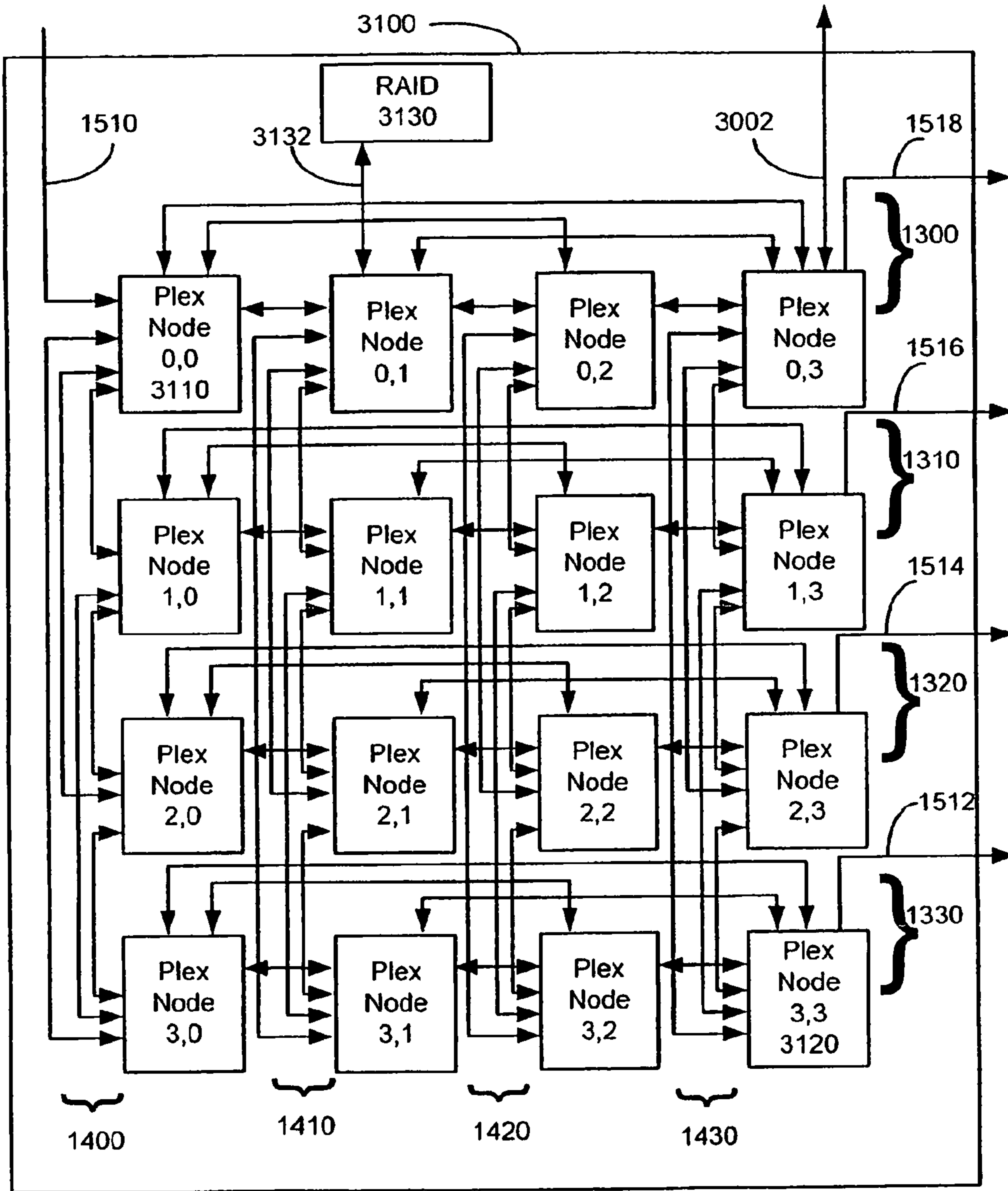


Fig. 7

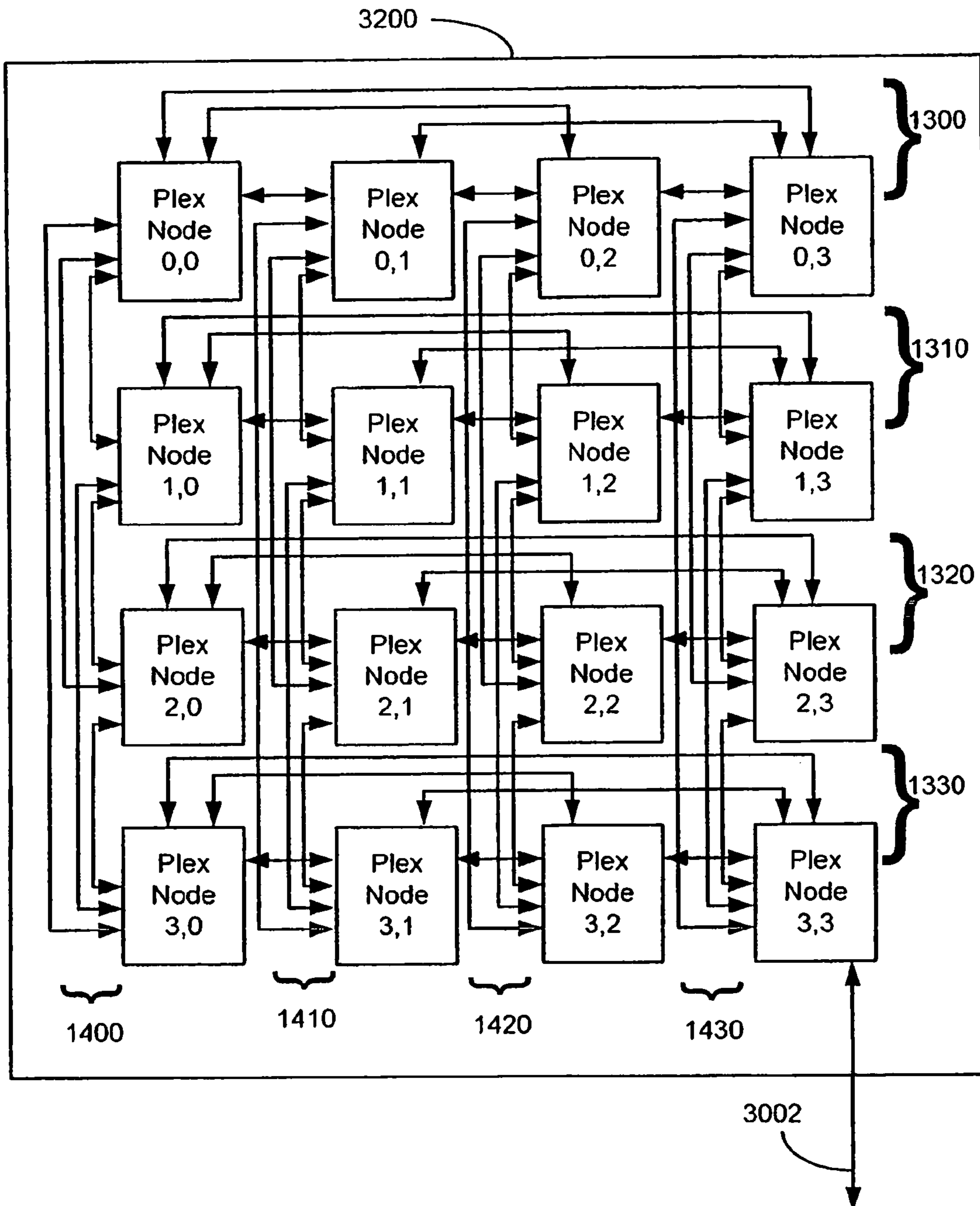


Fig. 8

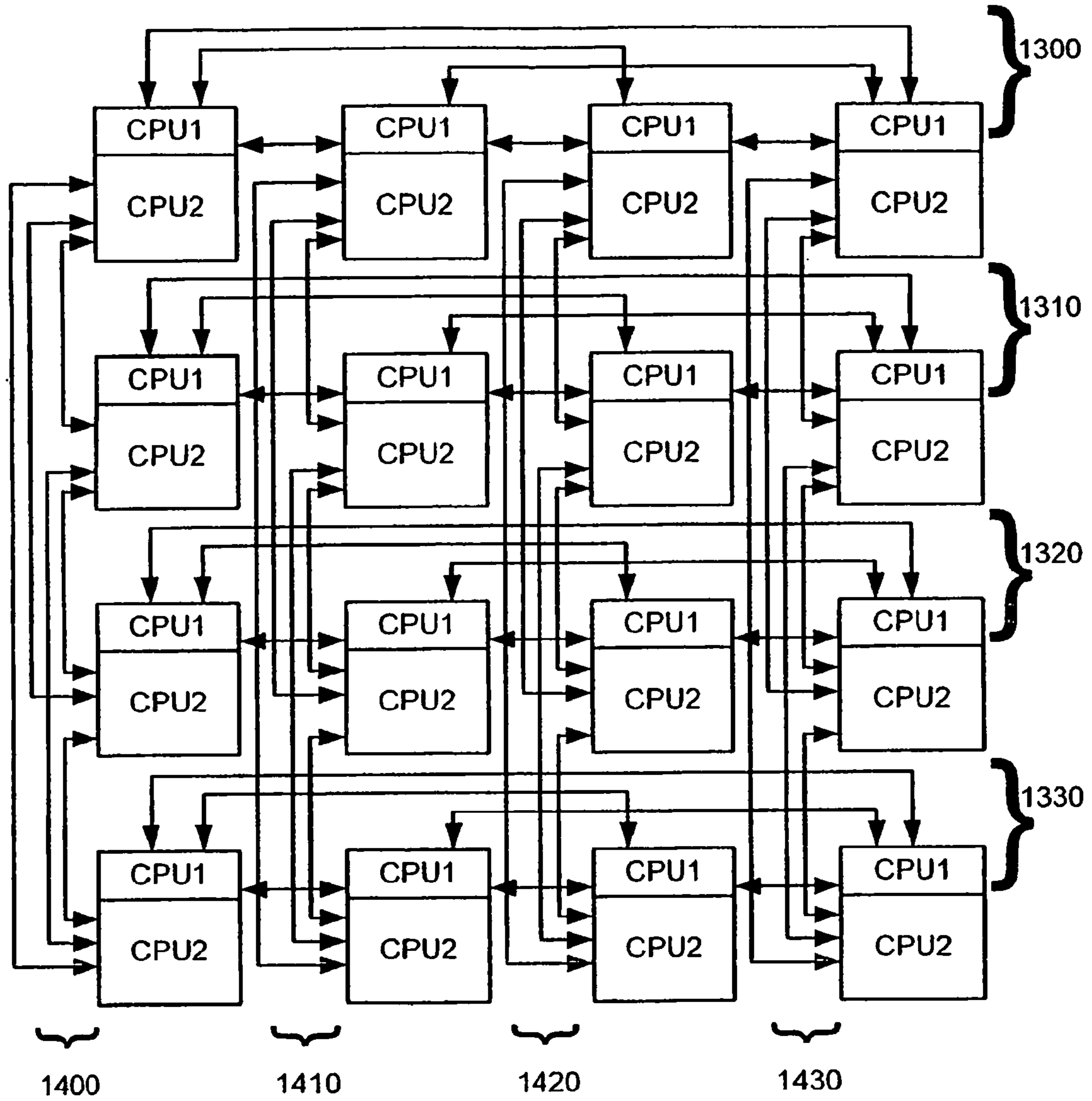


Fig. 9

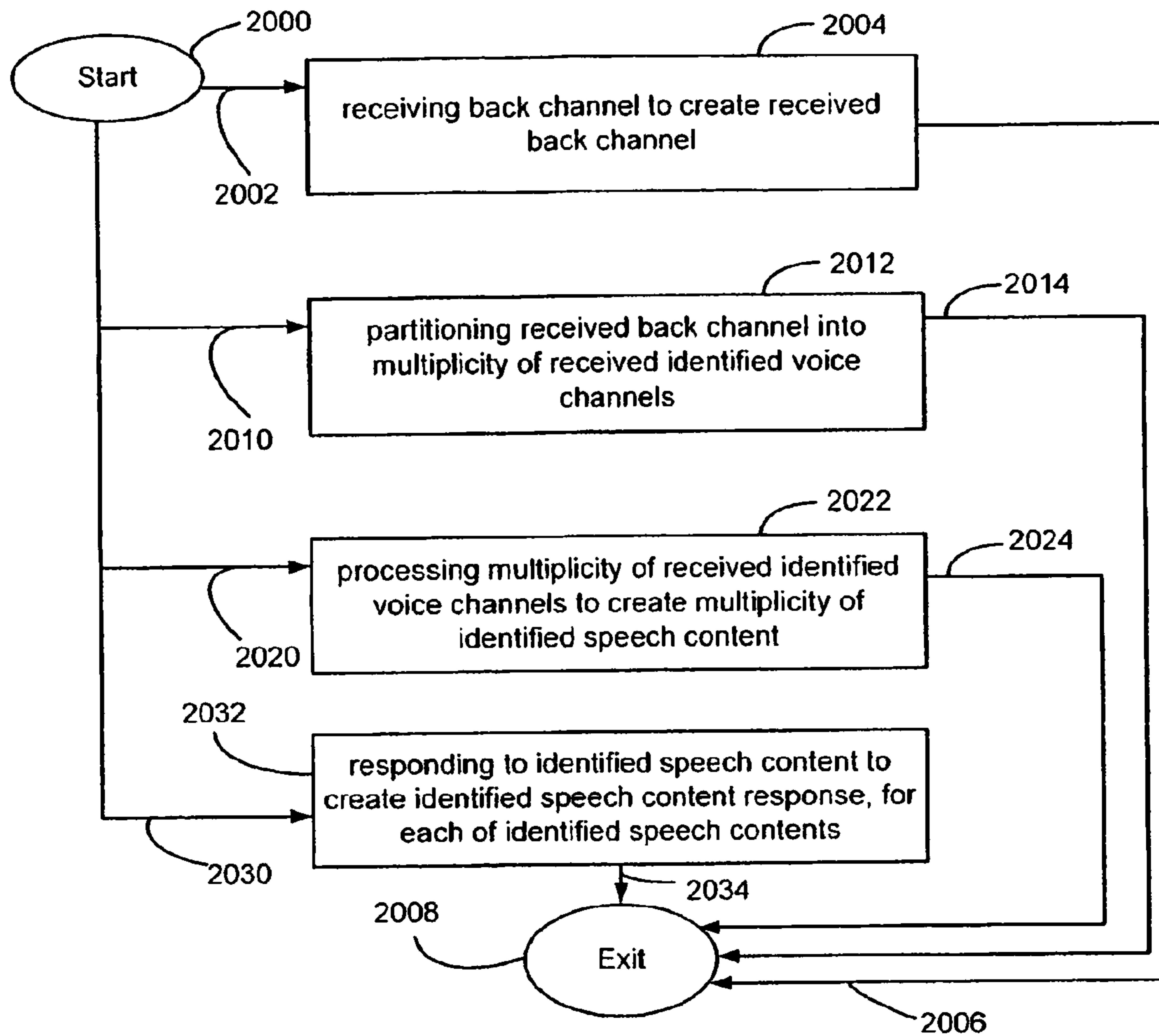
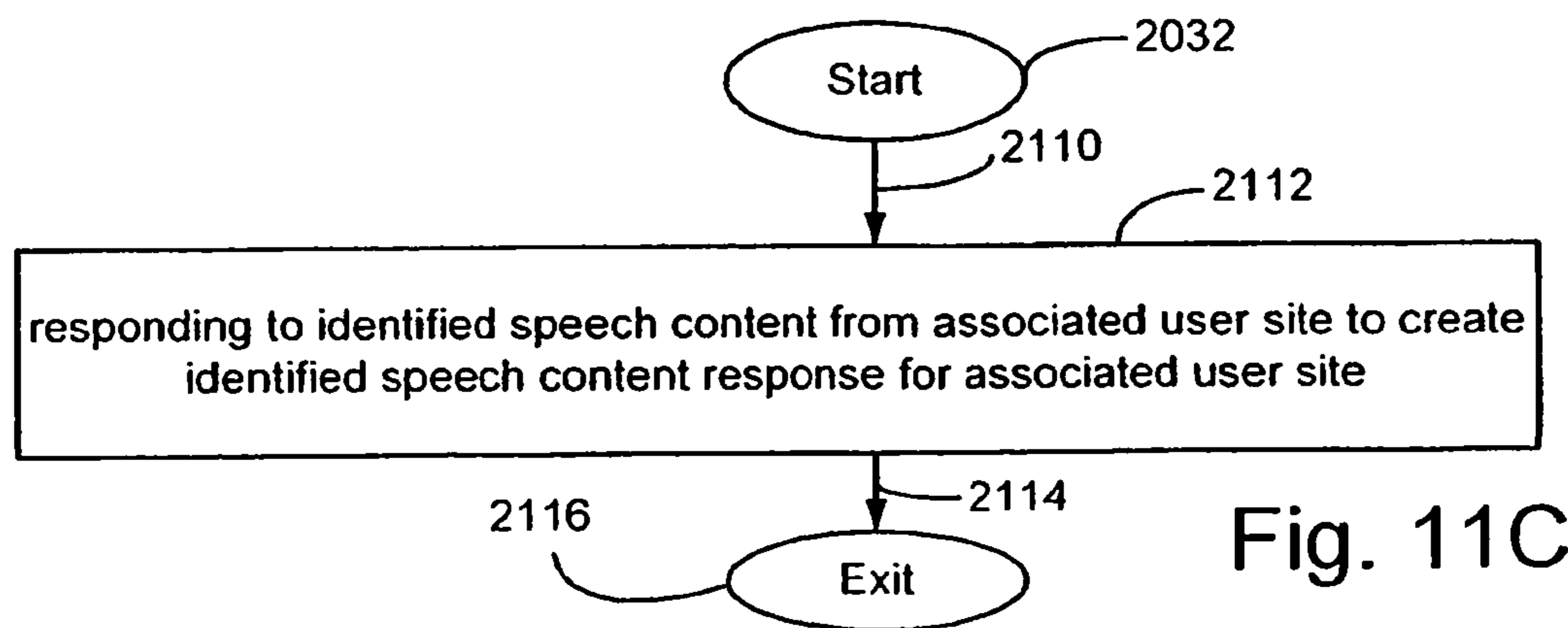
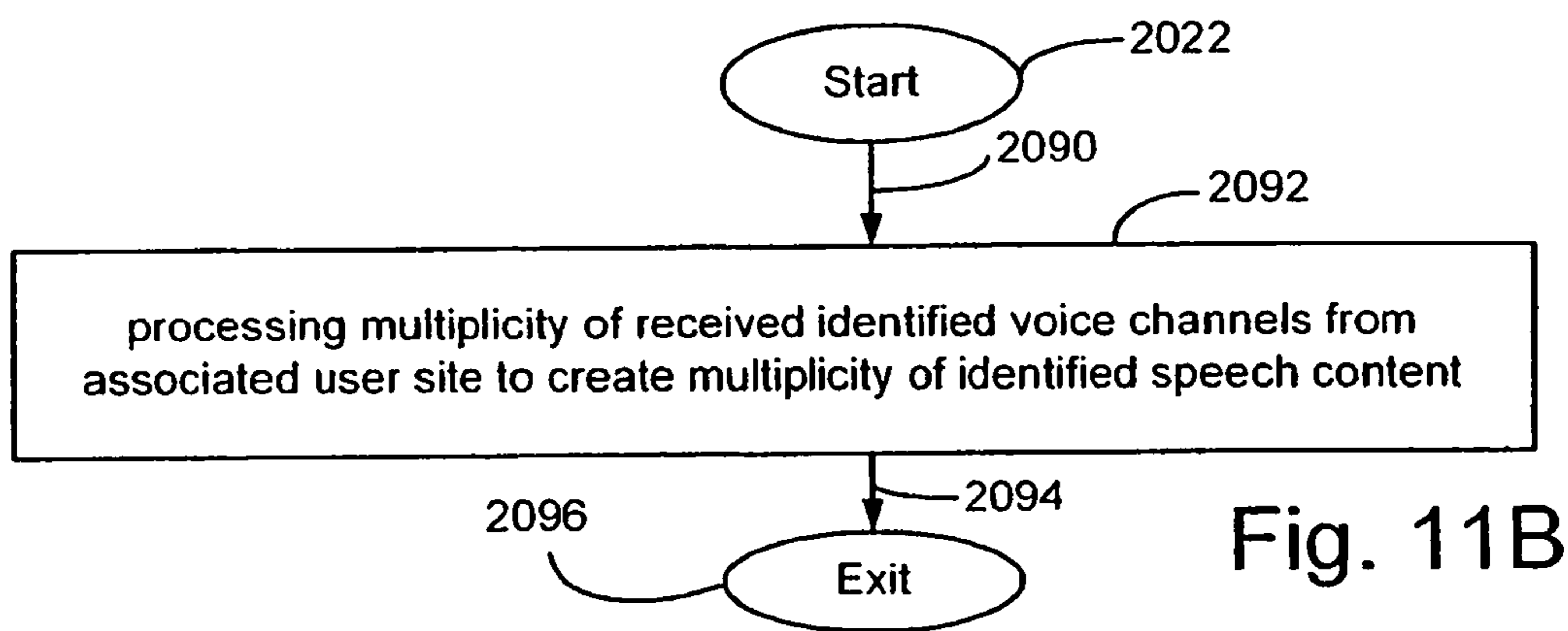
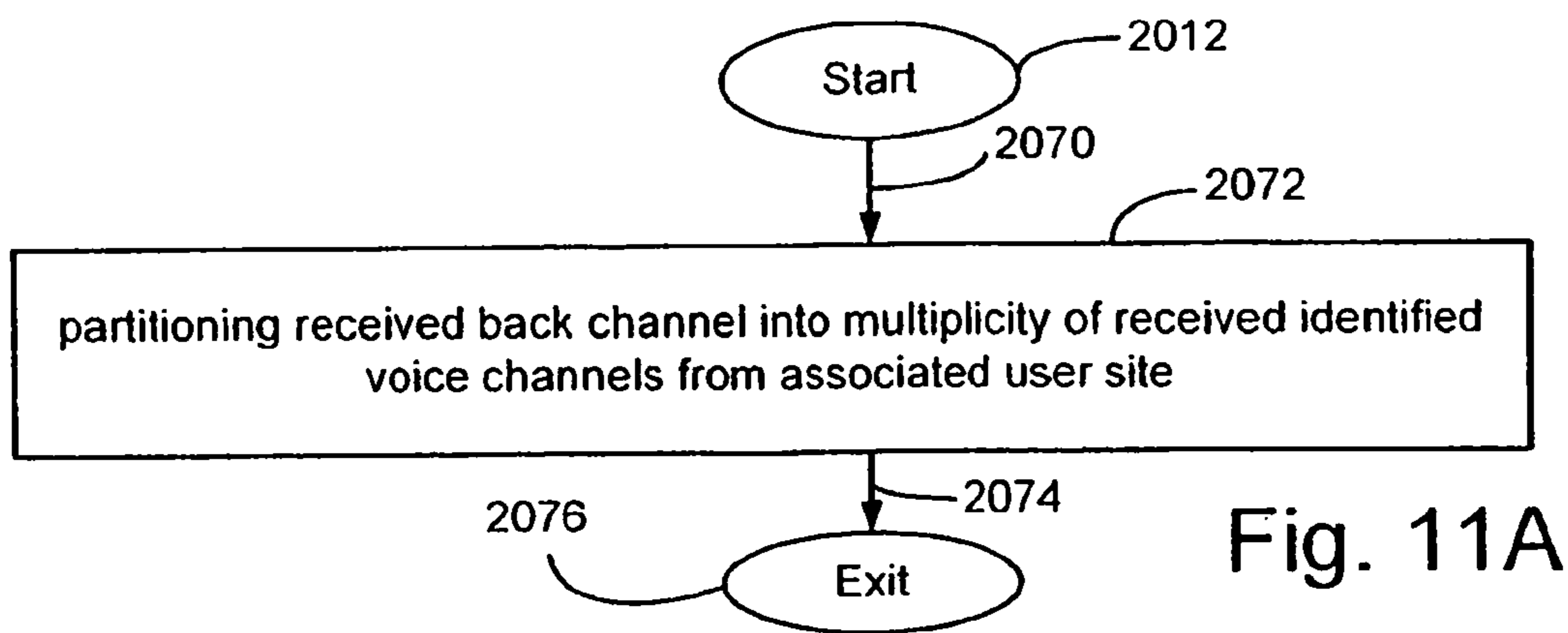


Fig. 10



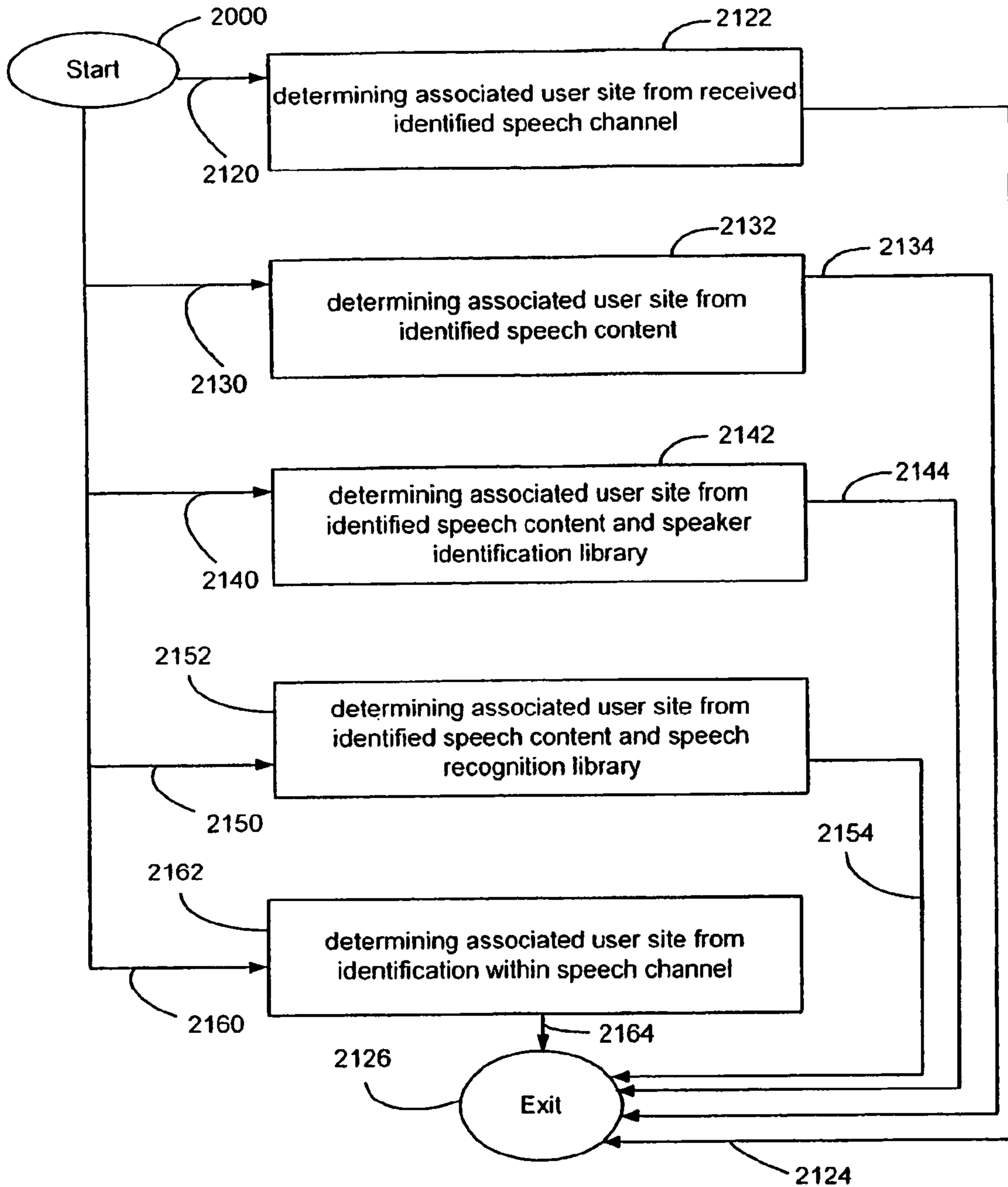
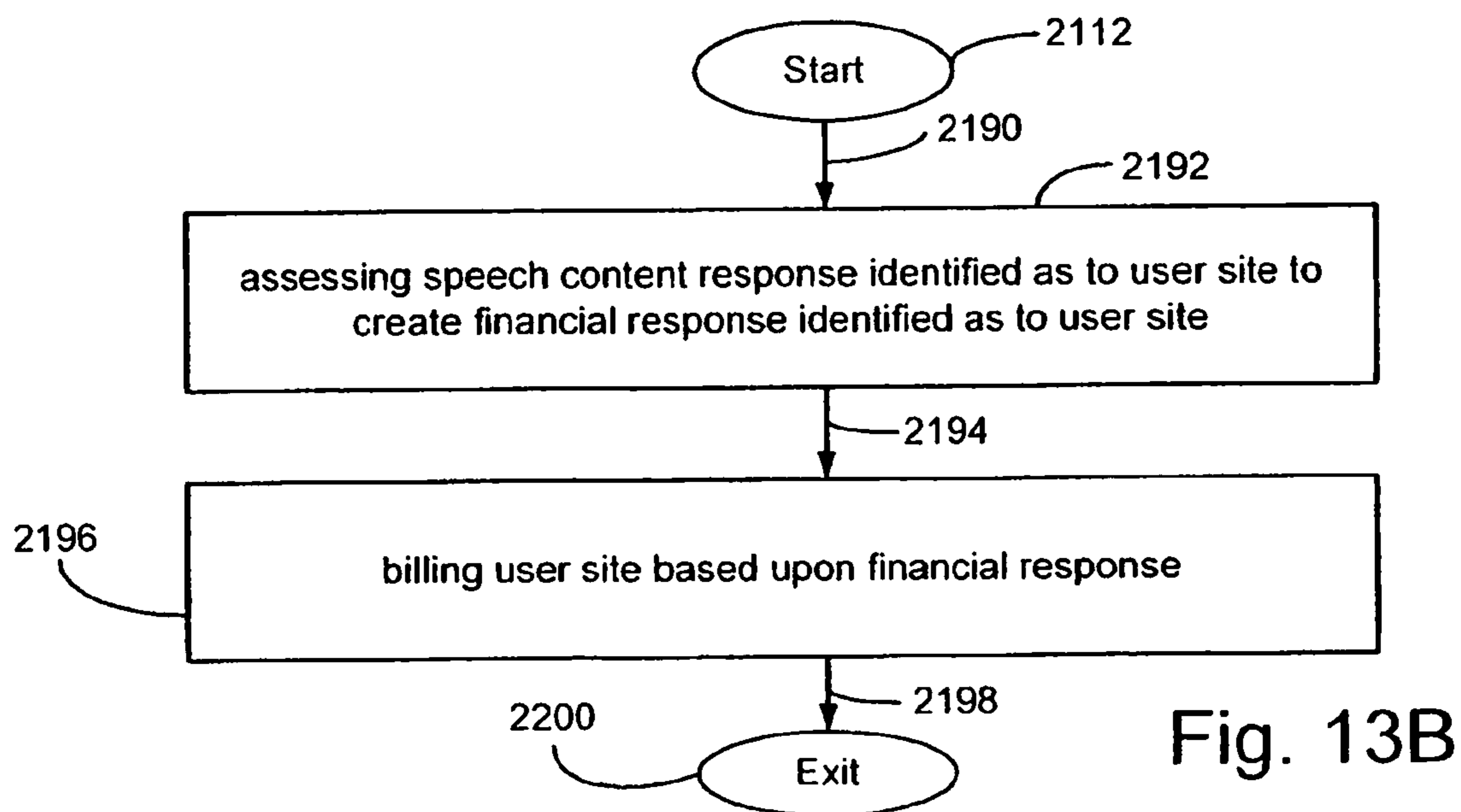
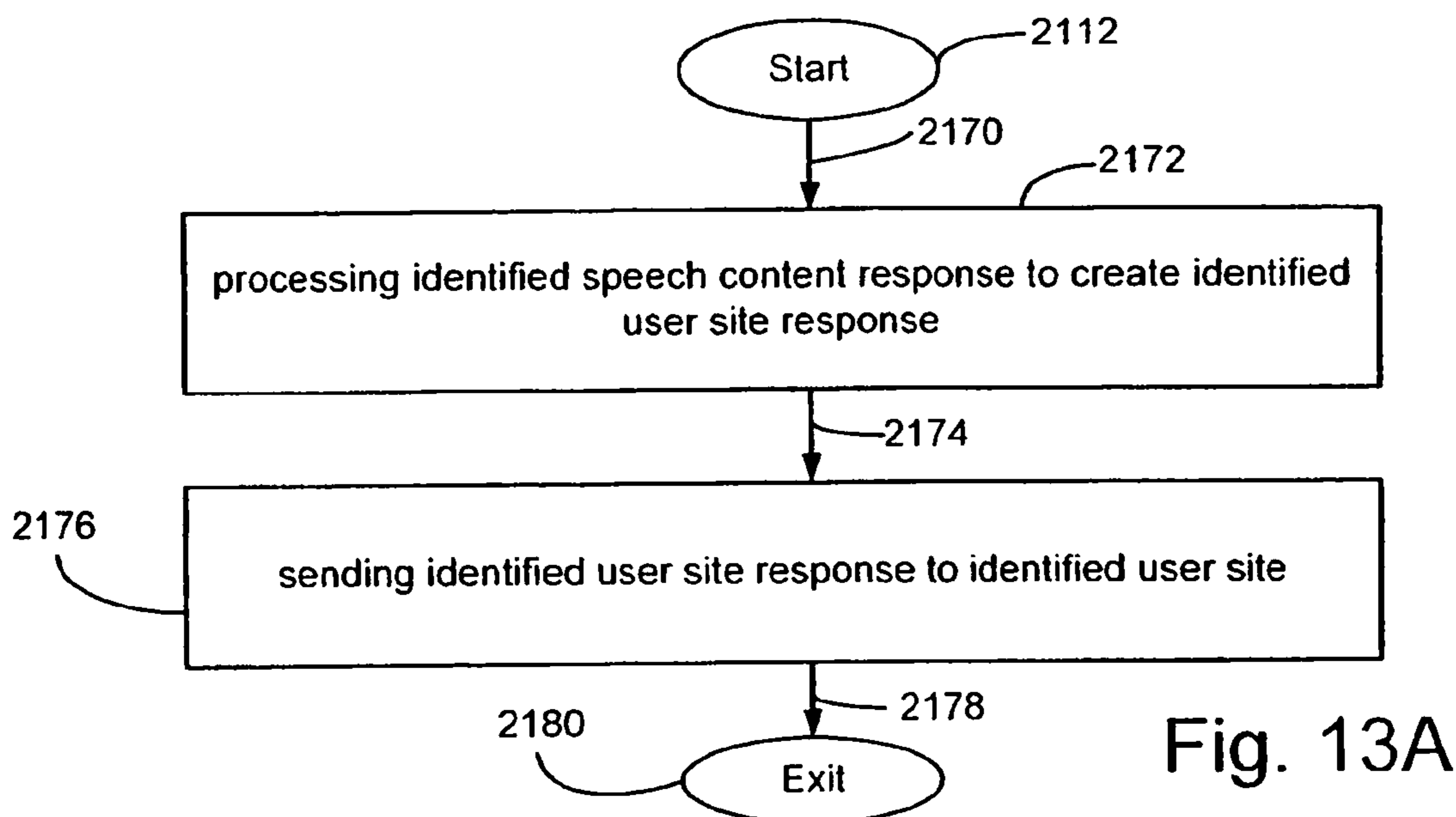


Fig. 12



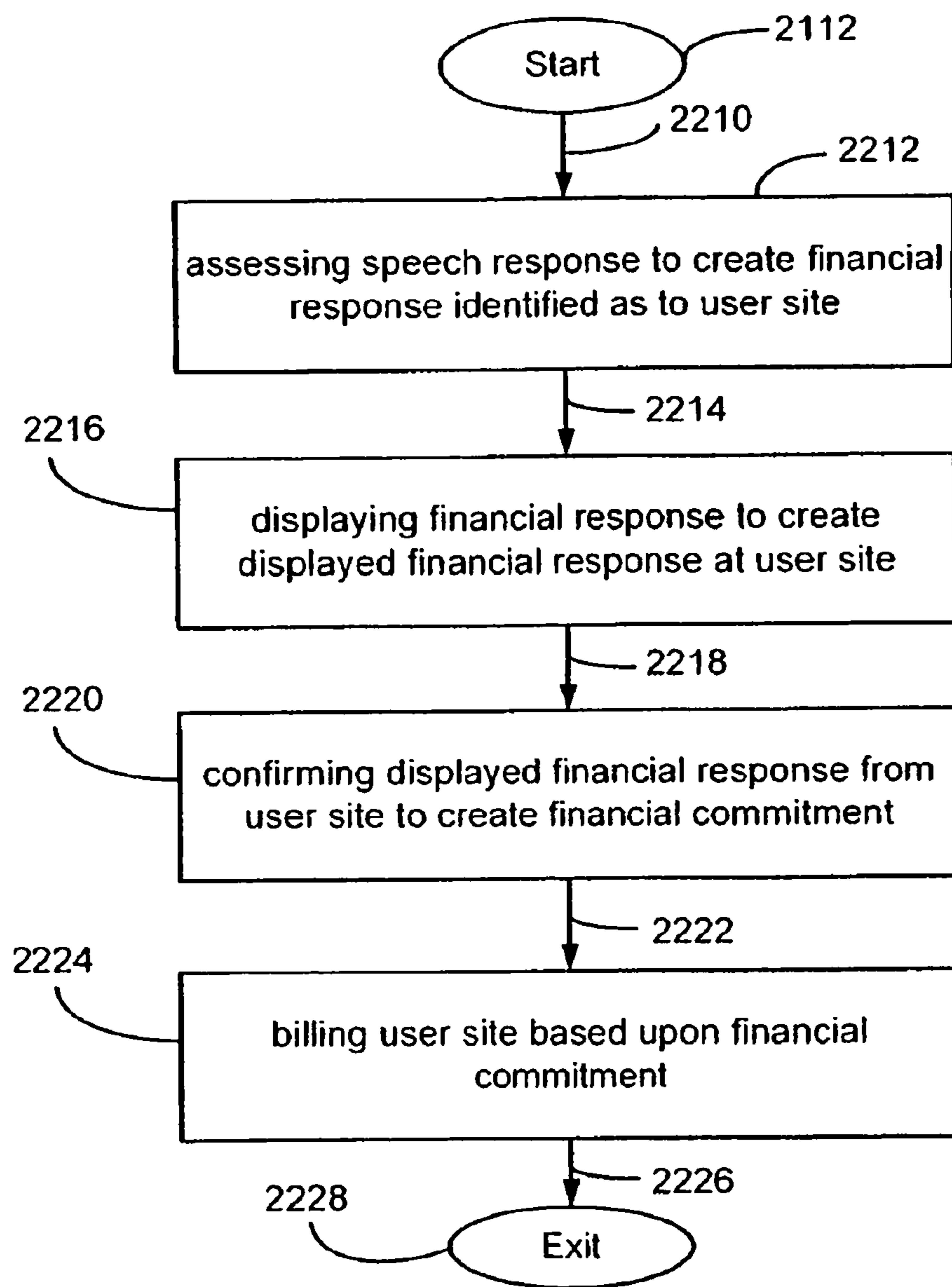
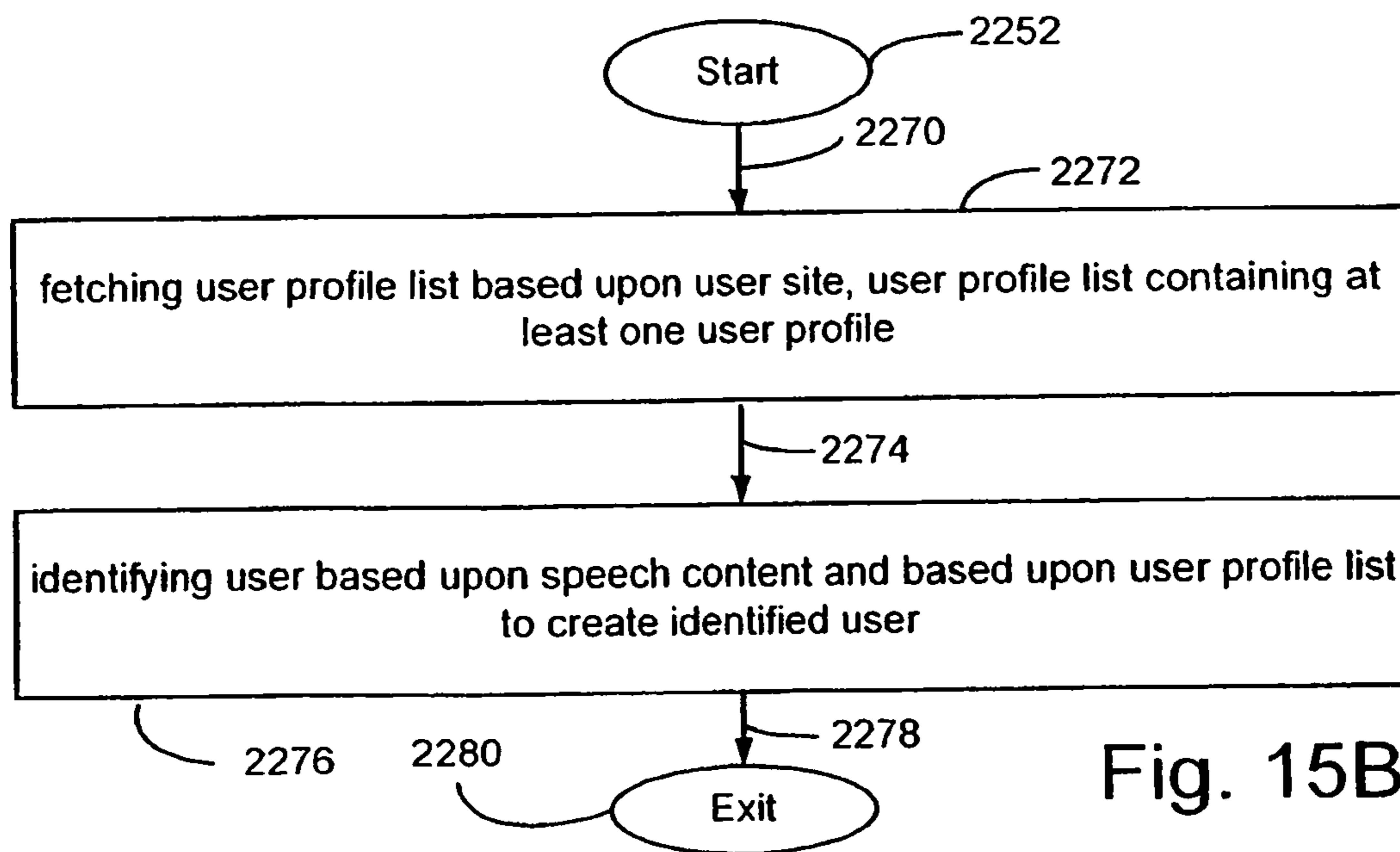
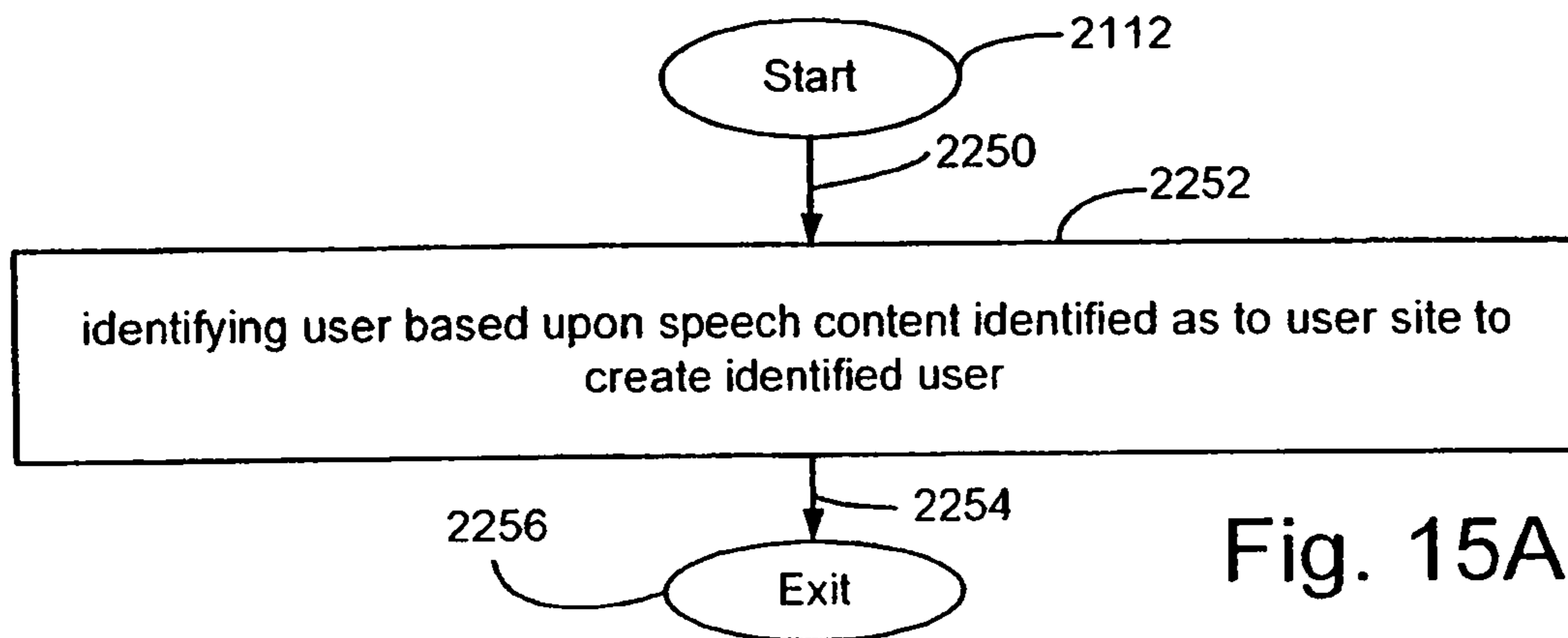


Fig. 14



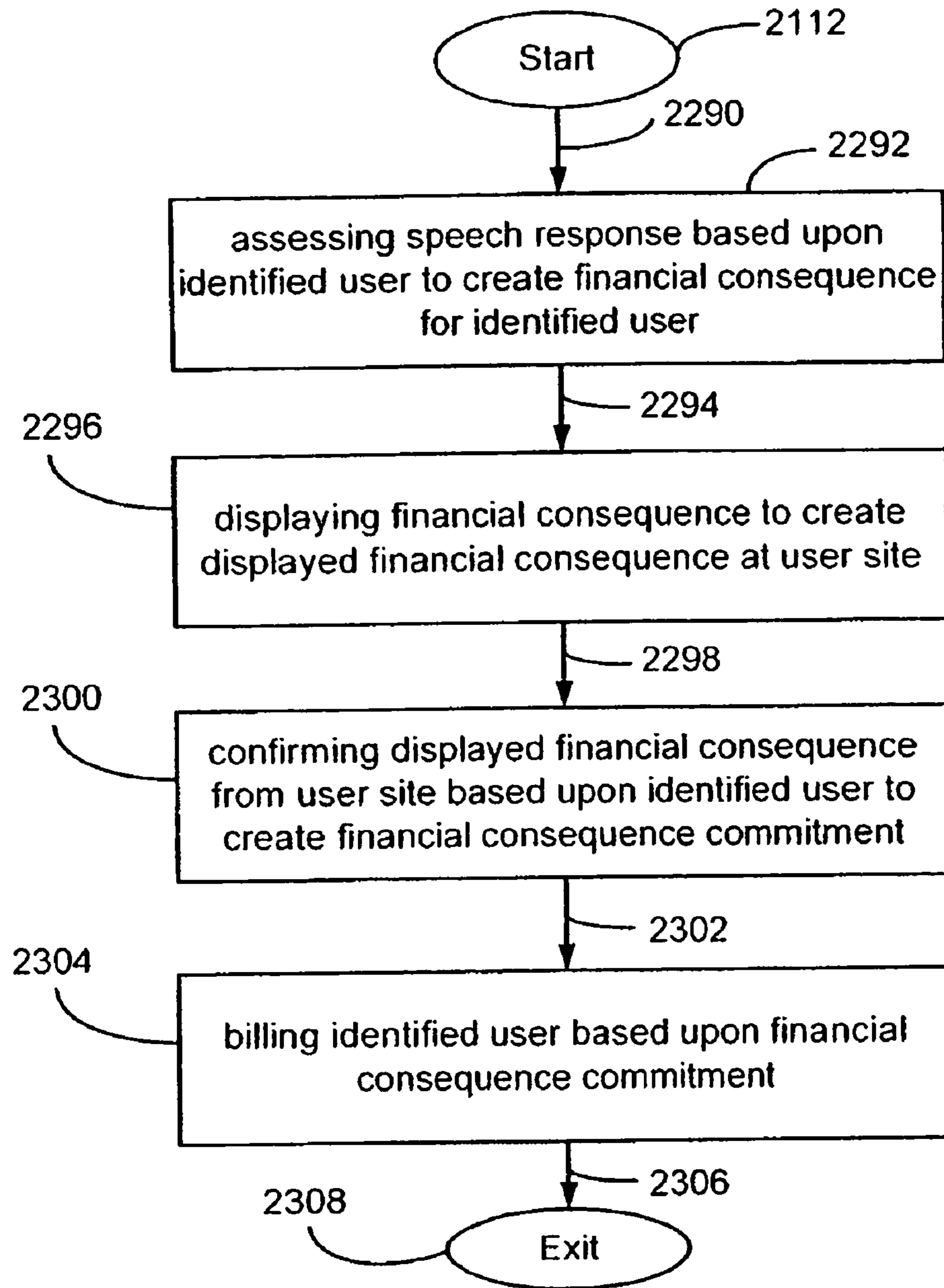


Fig. 16

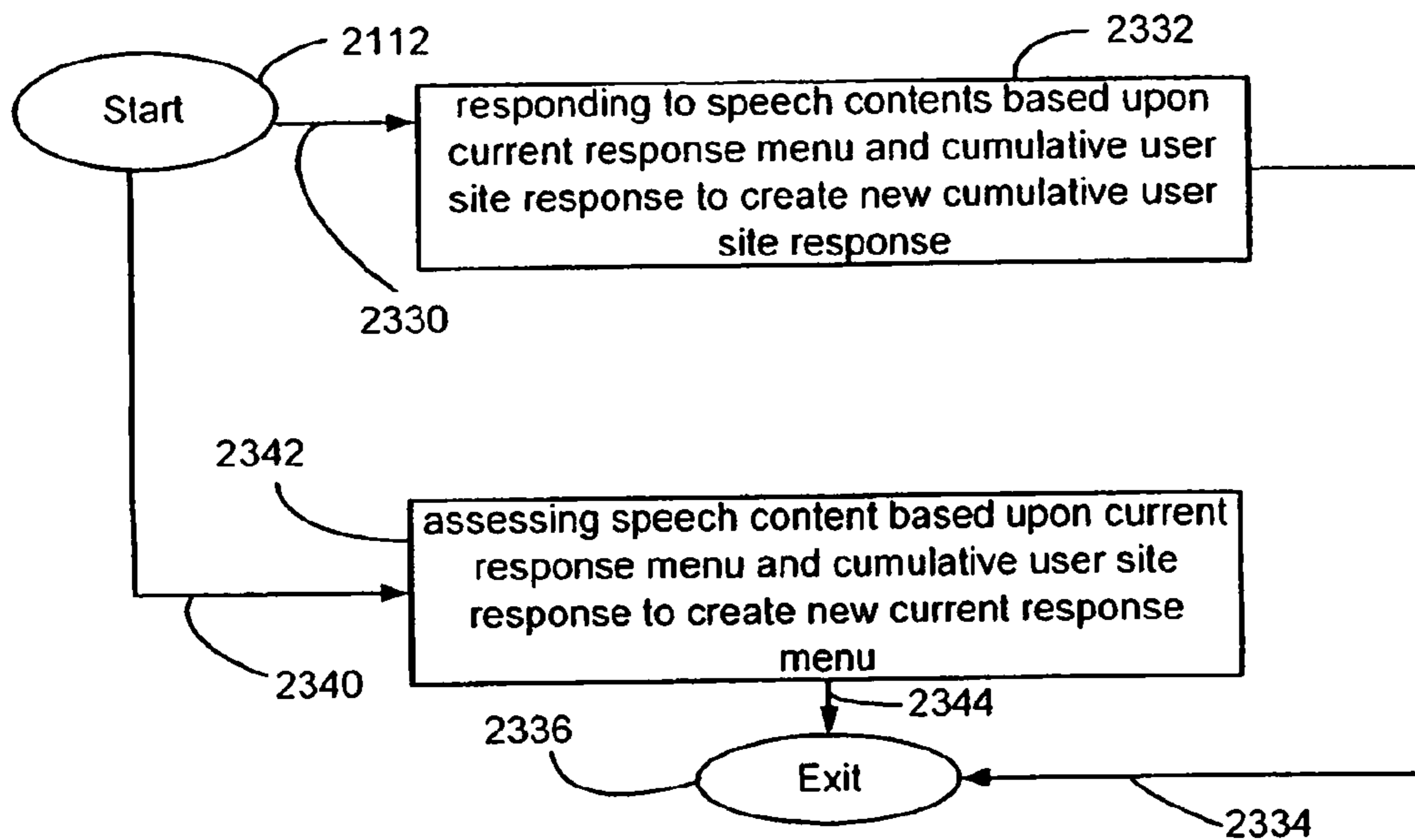


Fig. 17B

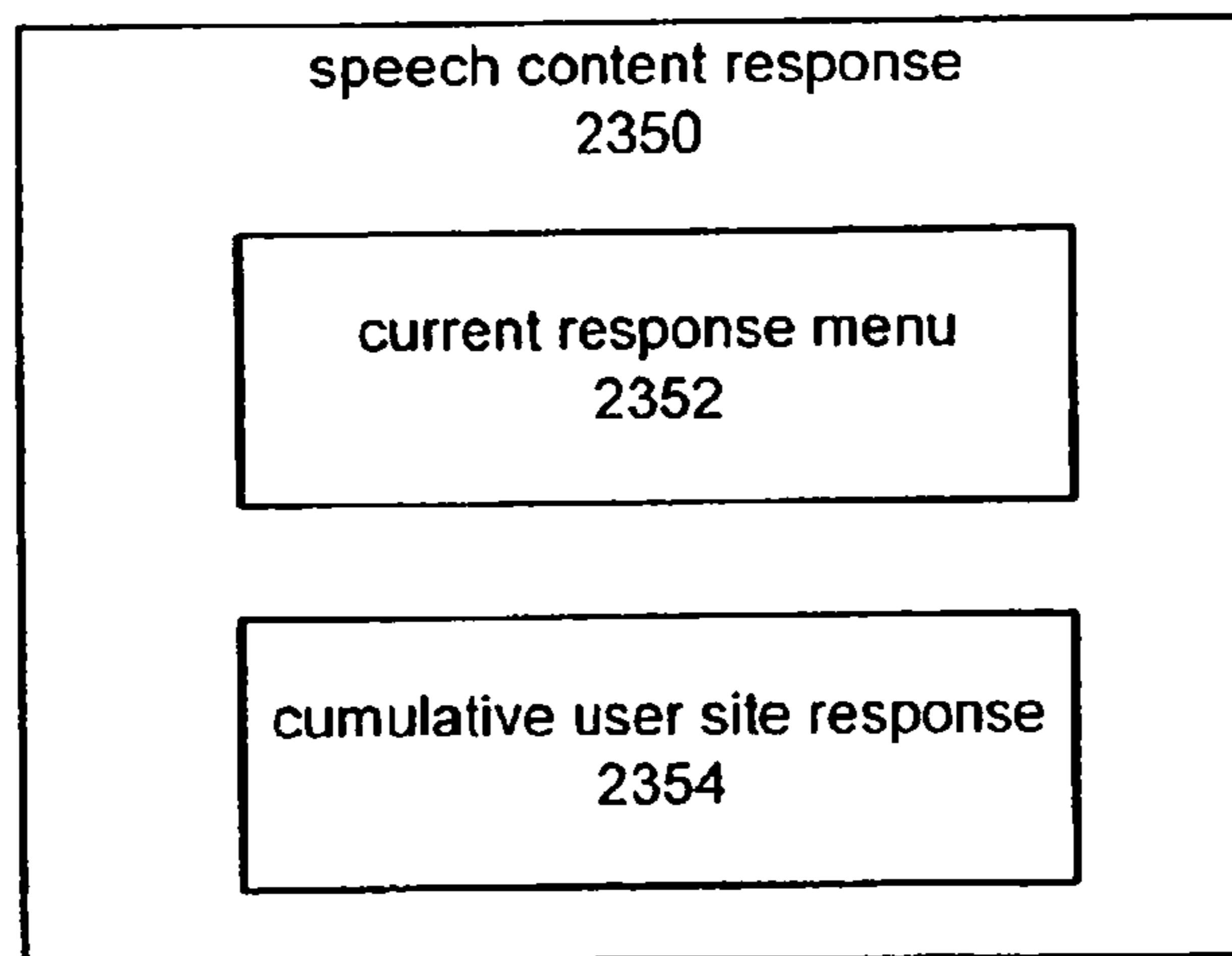


Fig. 17A

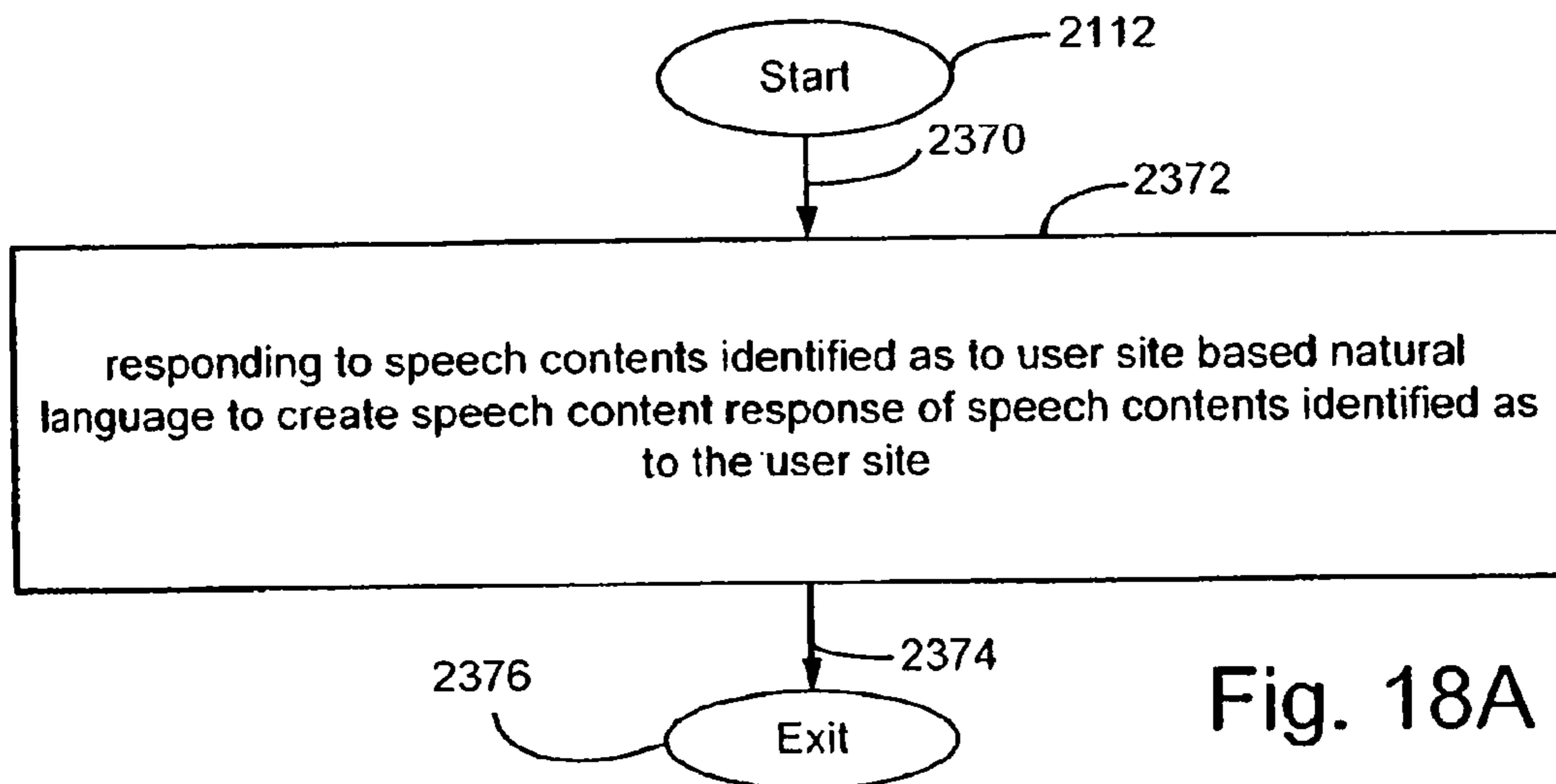


Fig. 18A

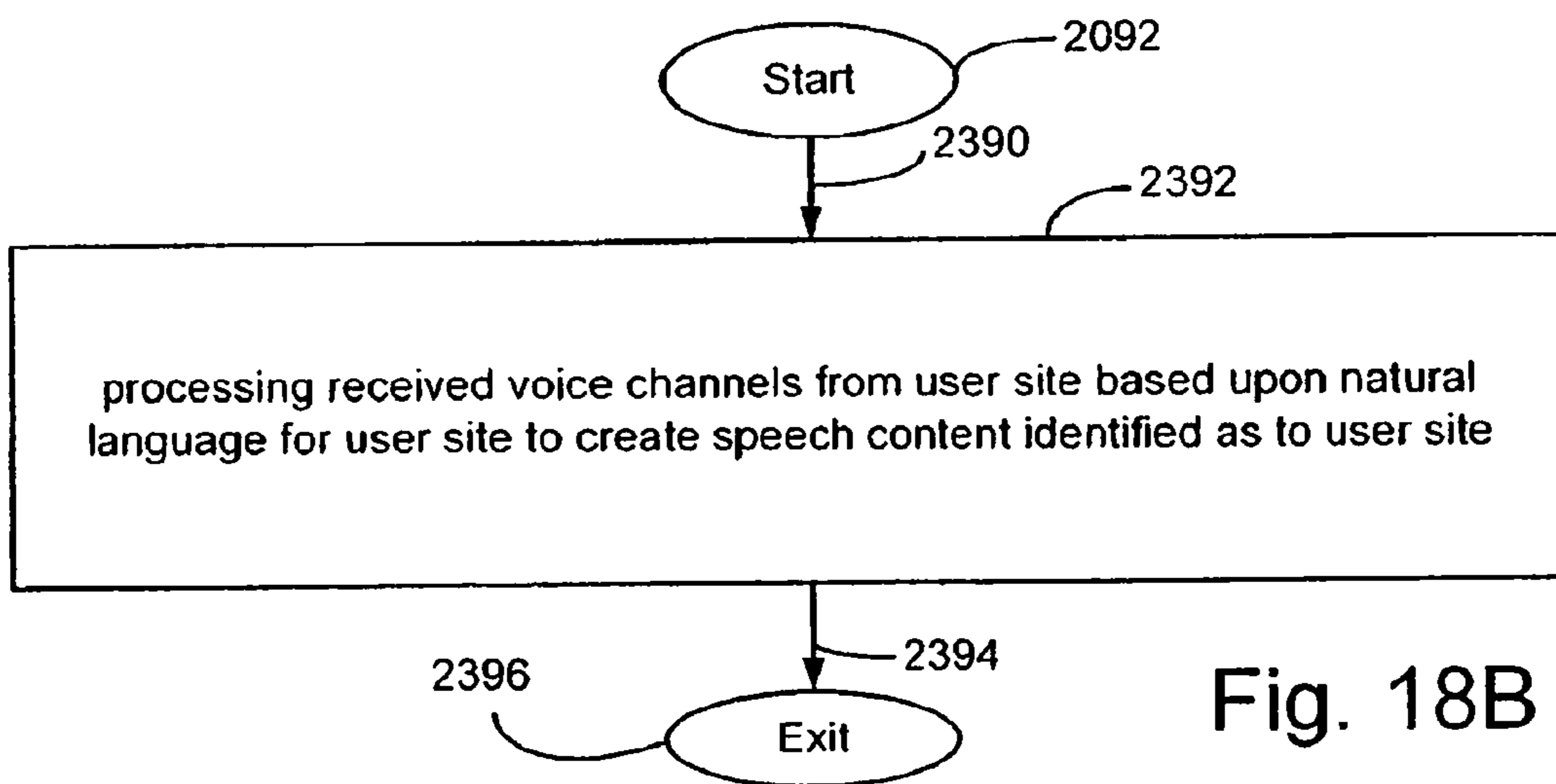


Fig. 18B

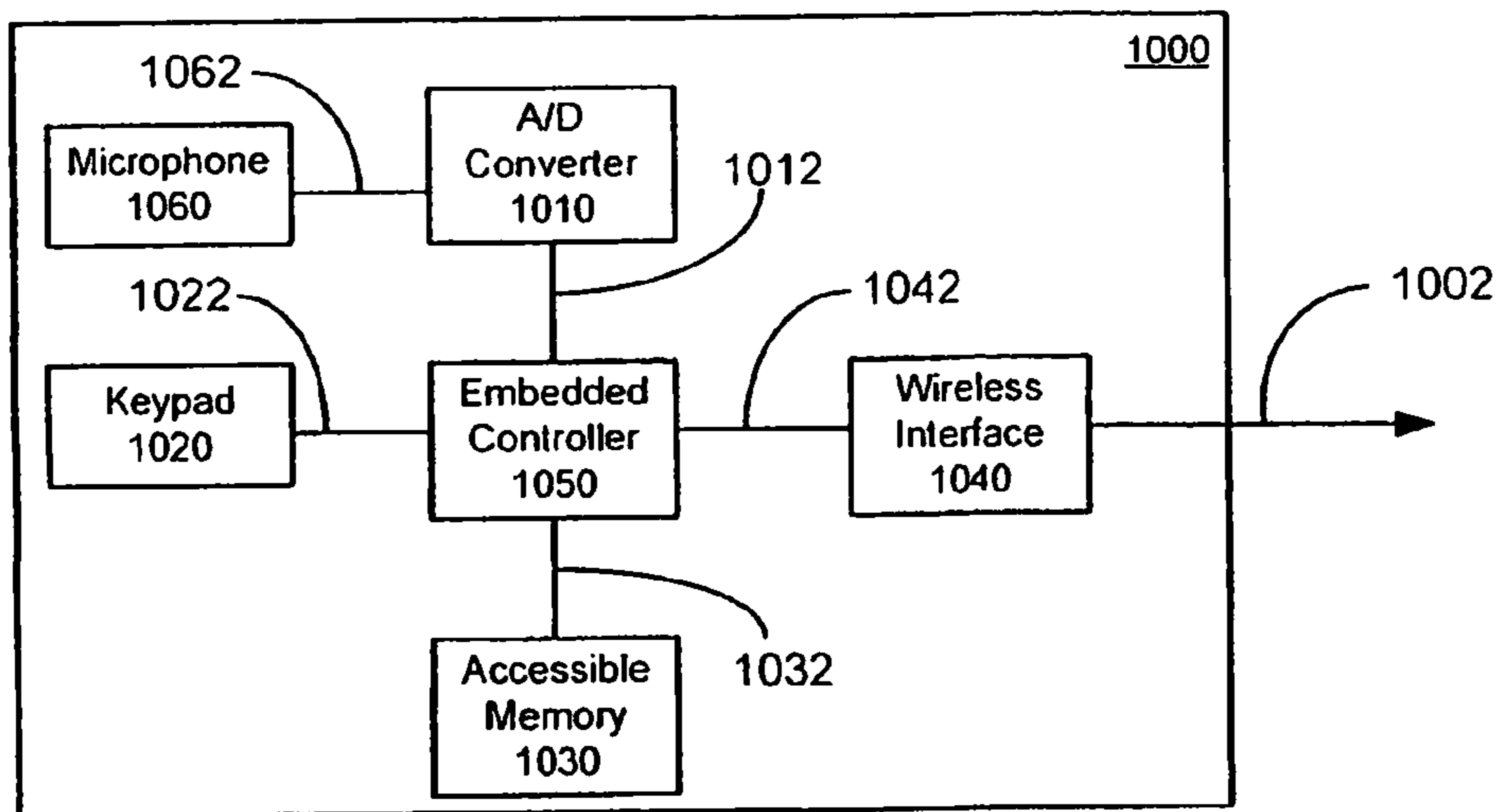


Fig. 19A

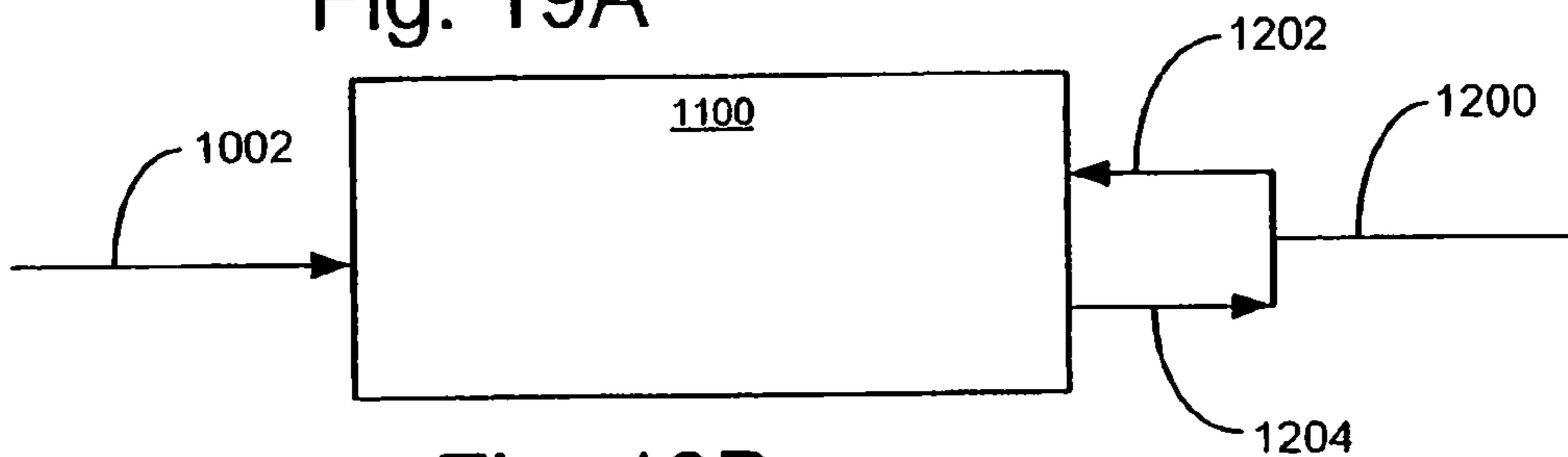


Fig. 19B

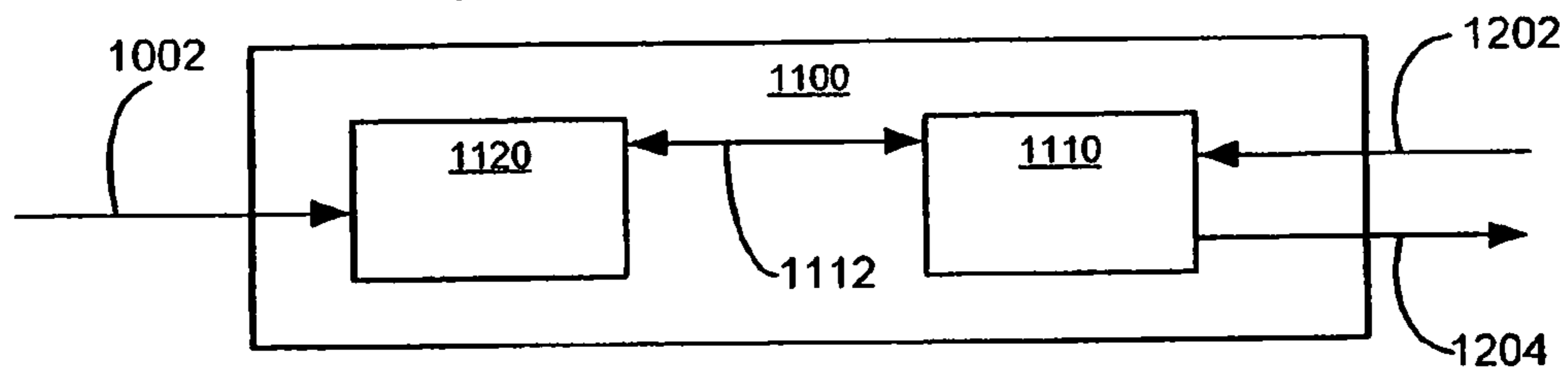


Fig. 19C

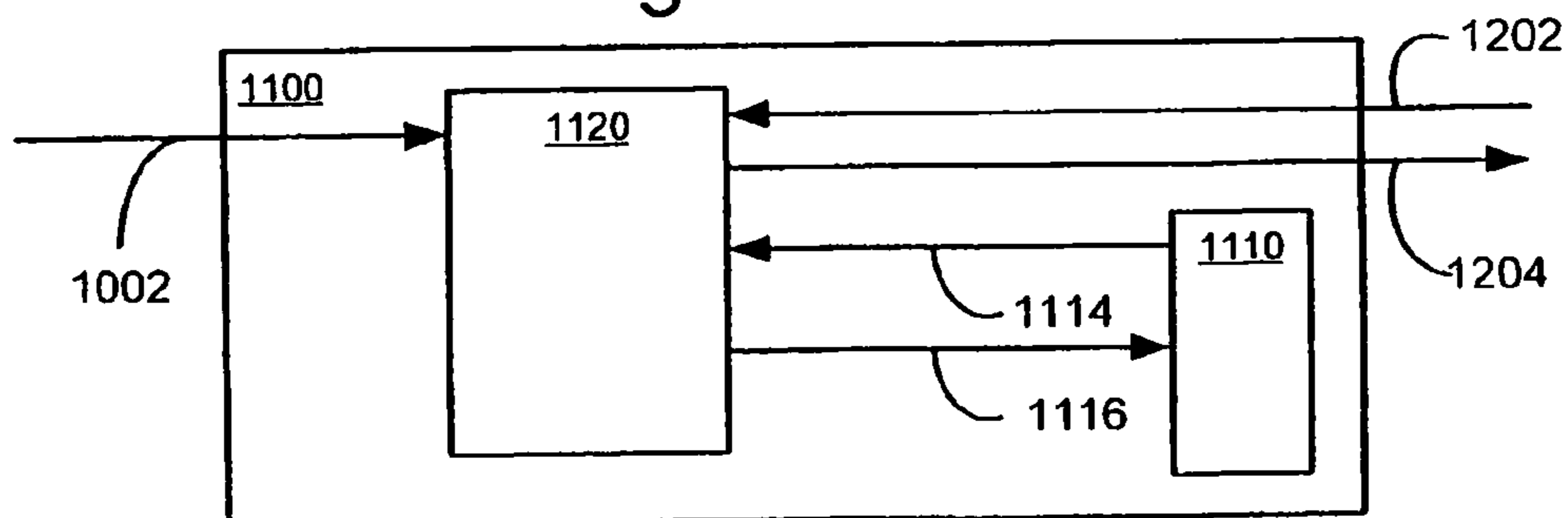


Fig. 19D

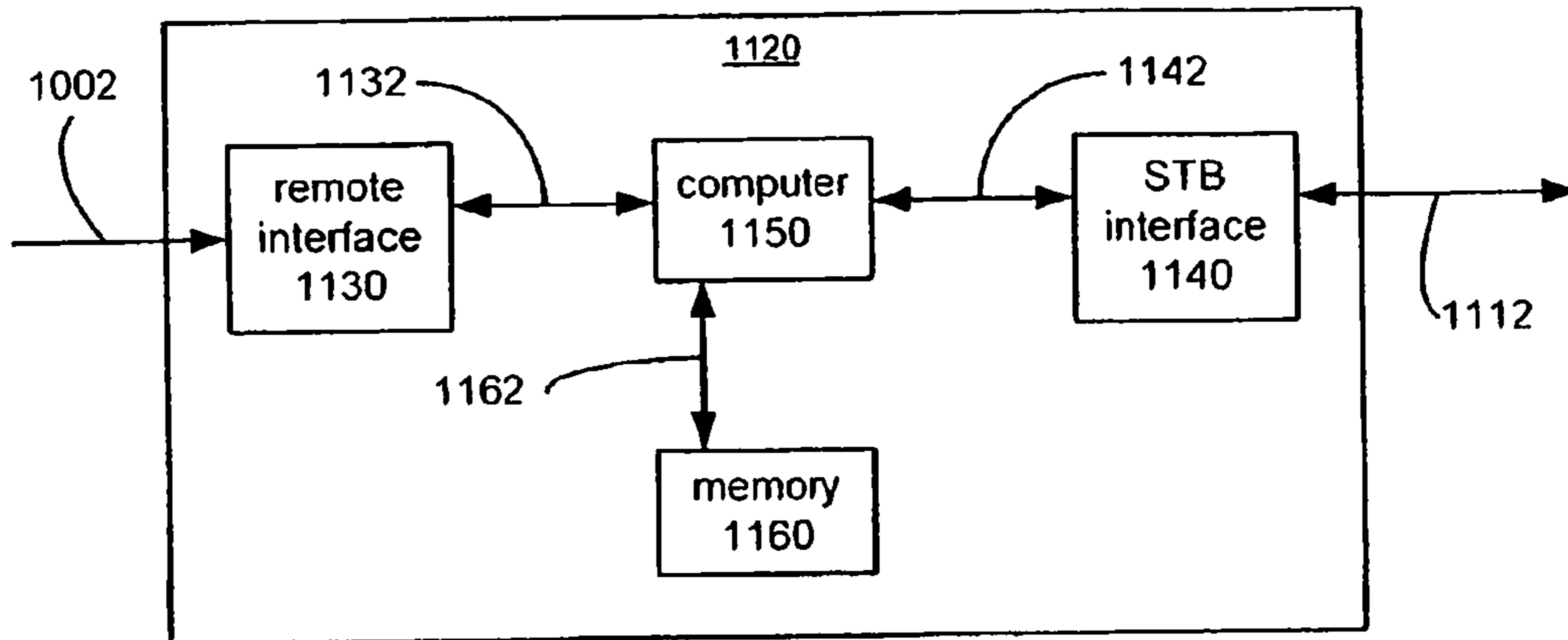


Fig. 20A

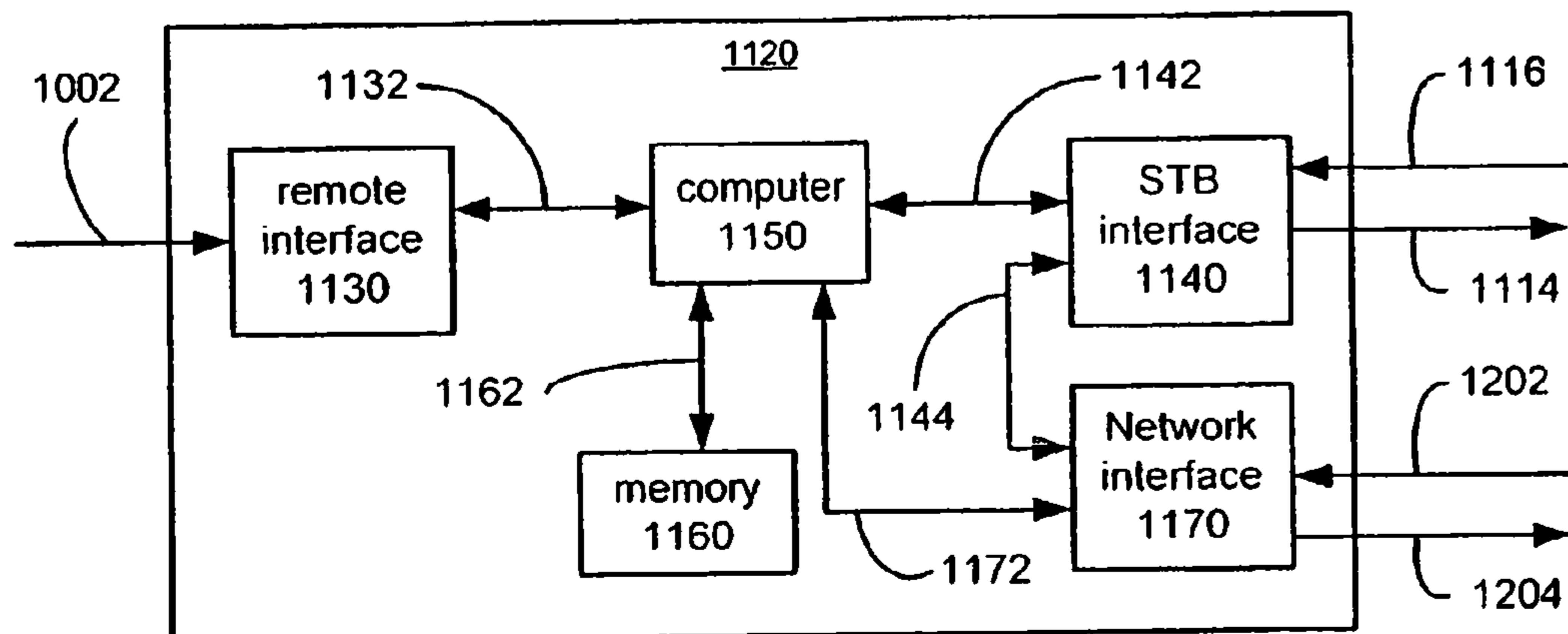


Fig. 20B

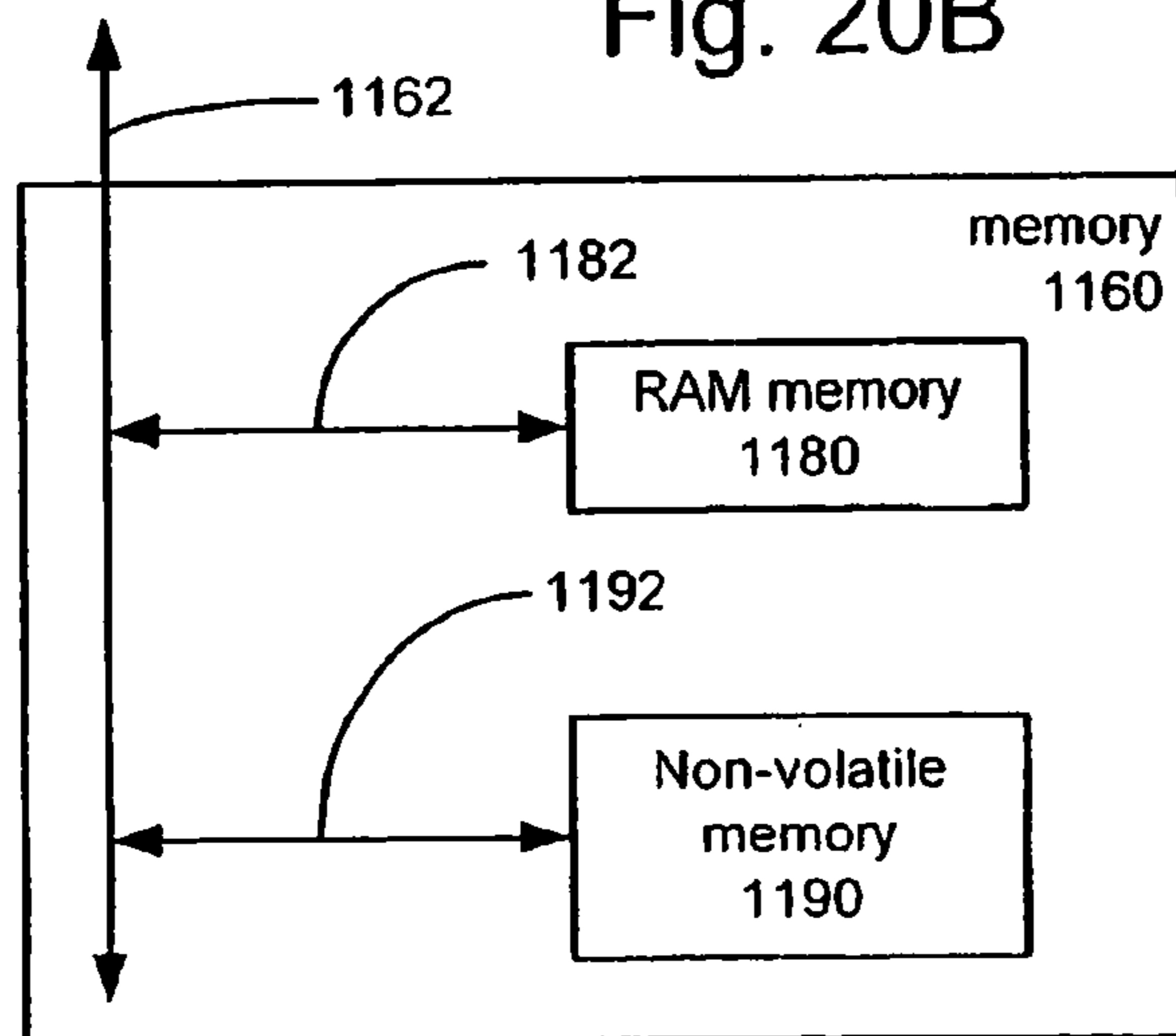


Fig. 20C

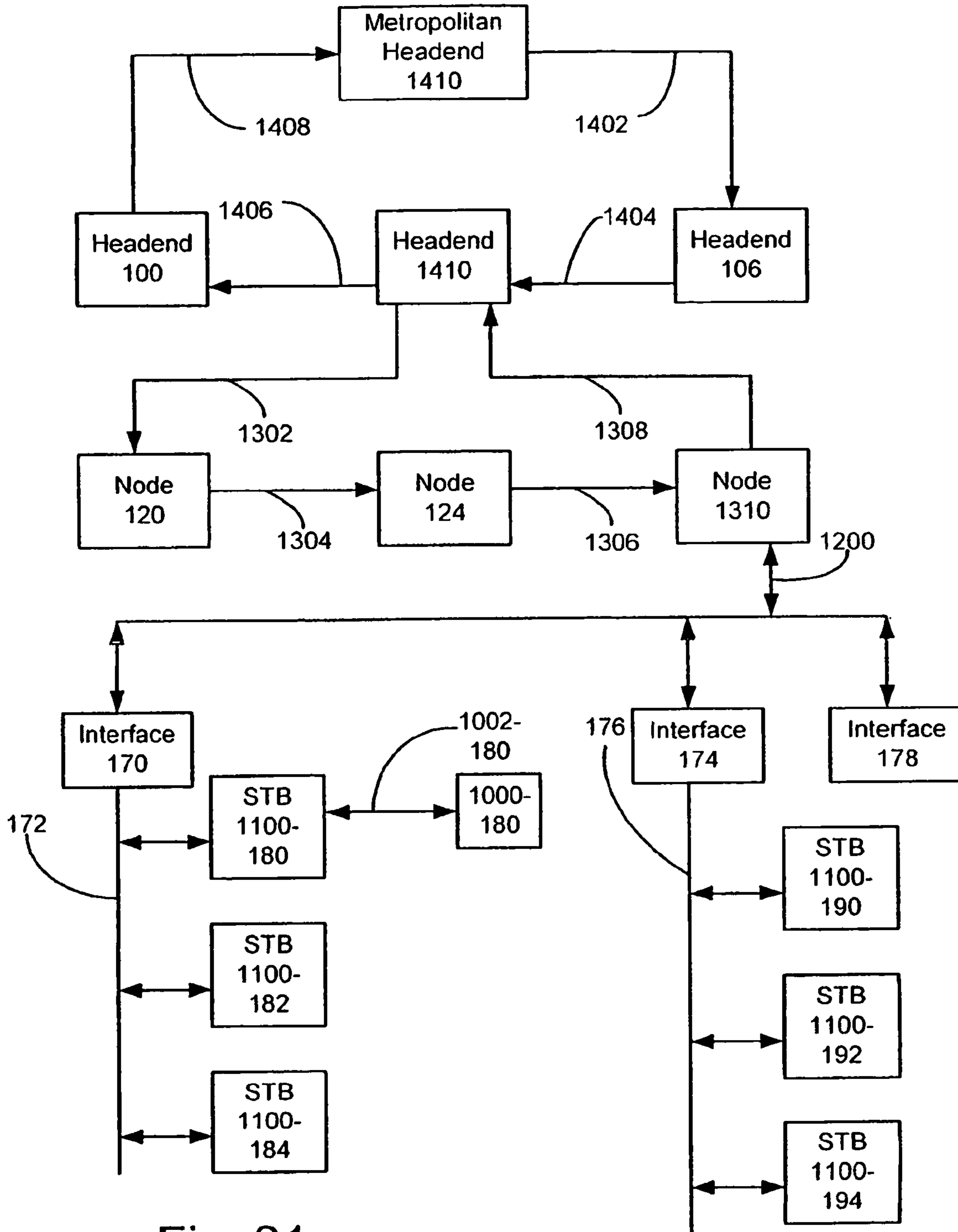


Fig. 21

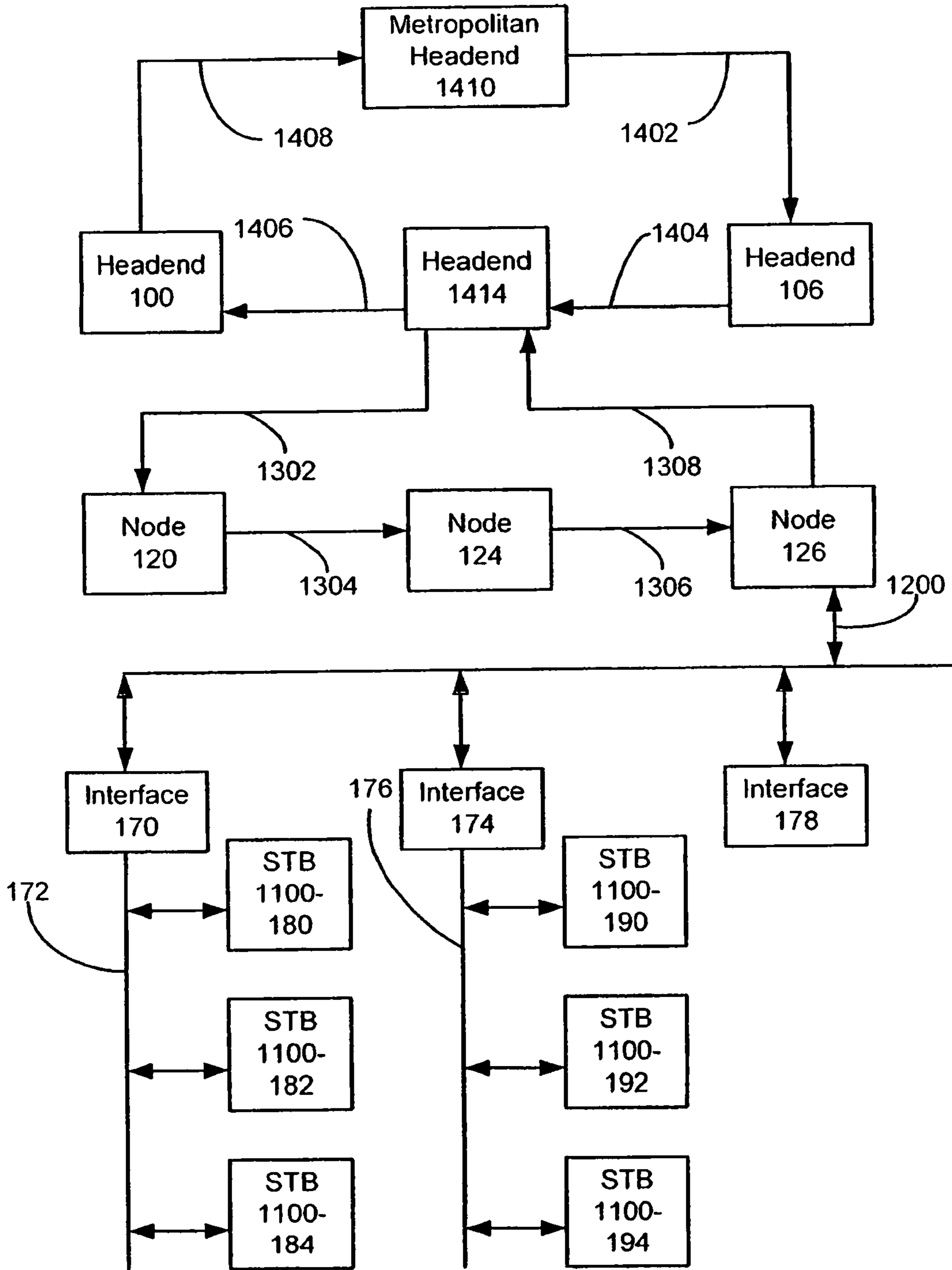


Fig. 22

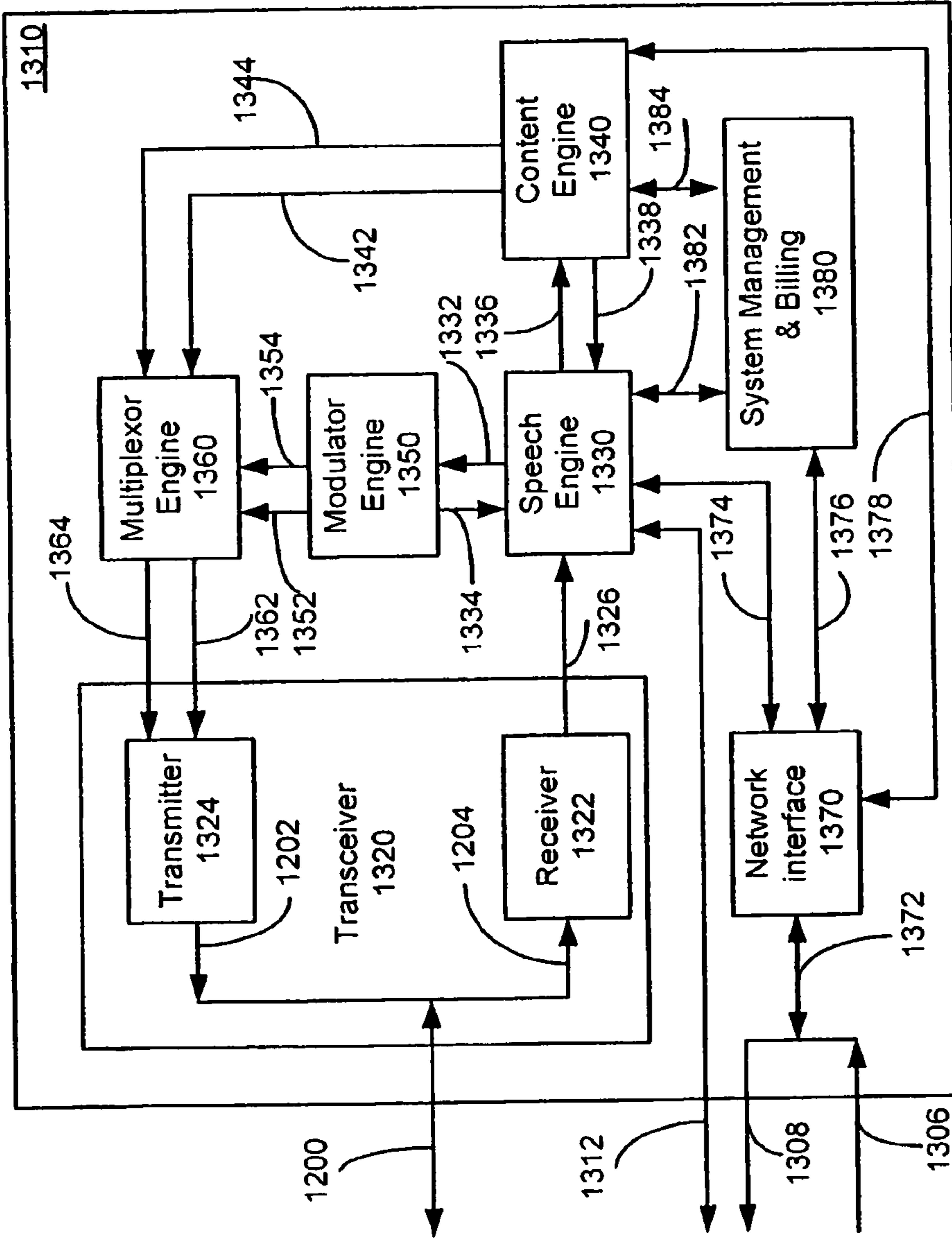


Fig. 23

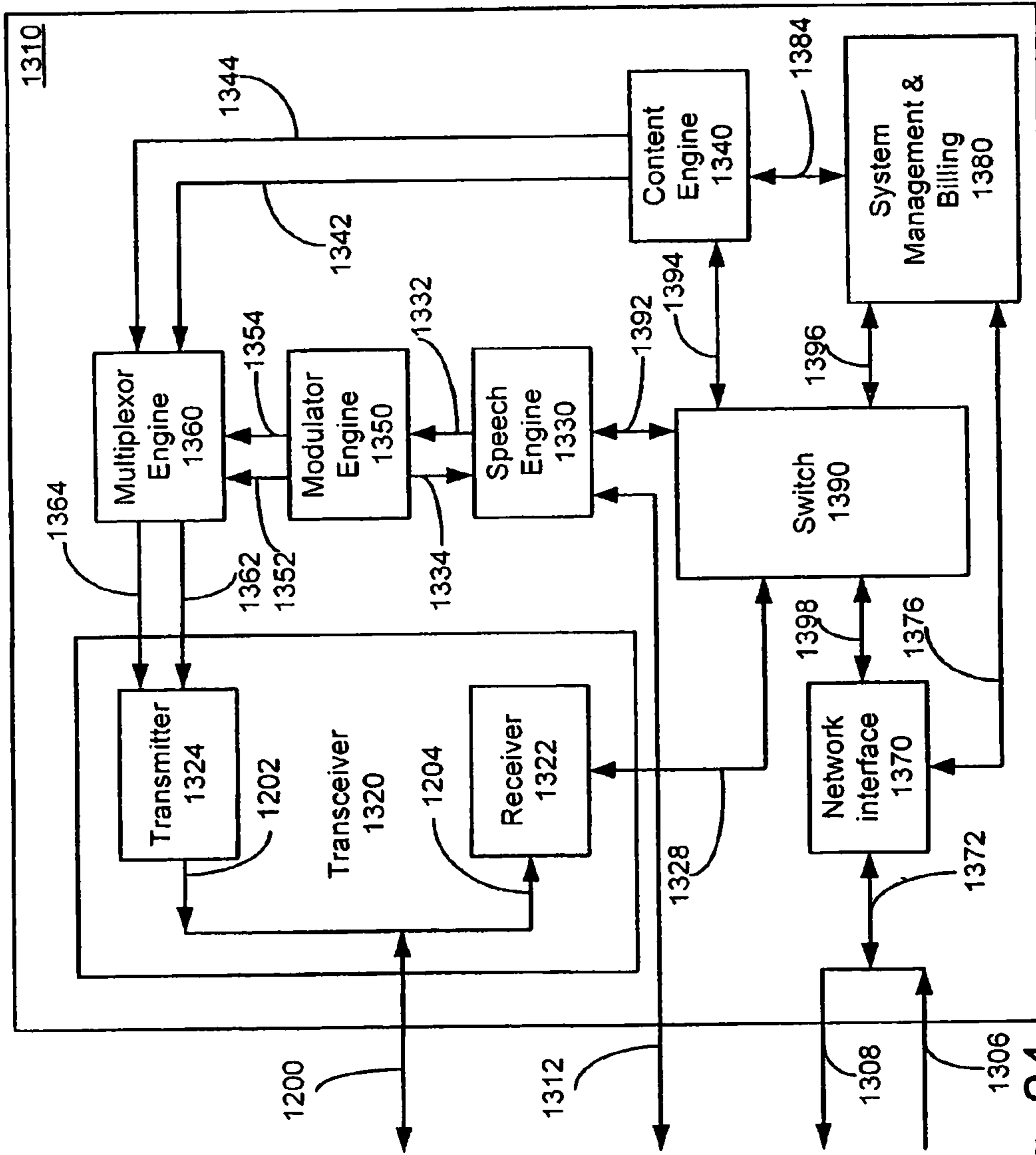


Fig. 24

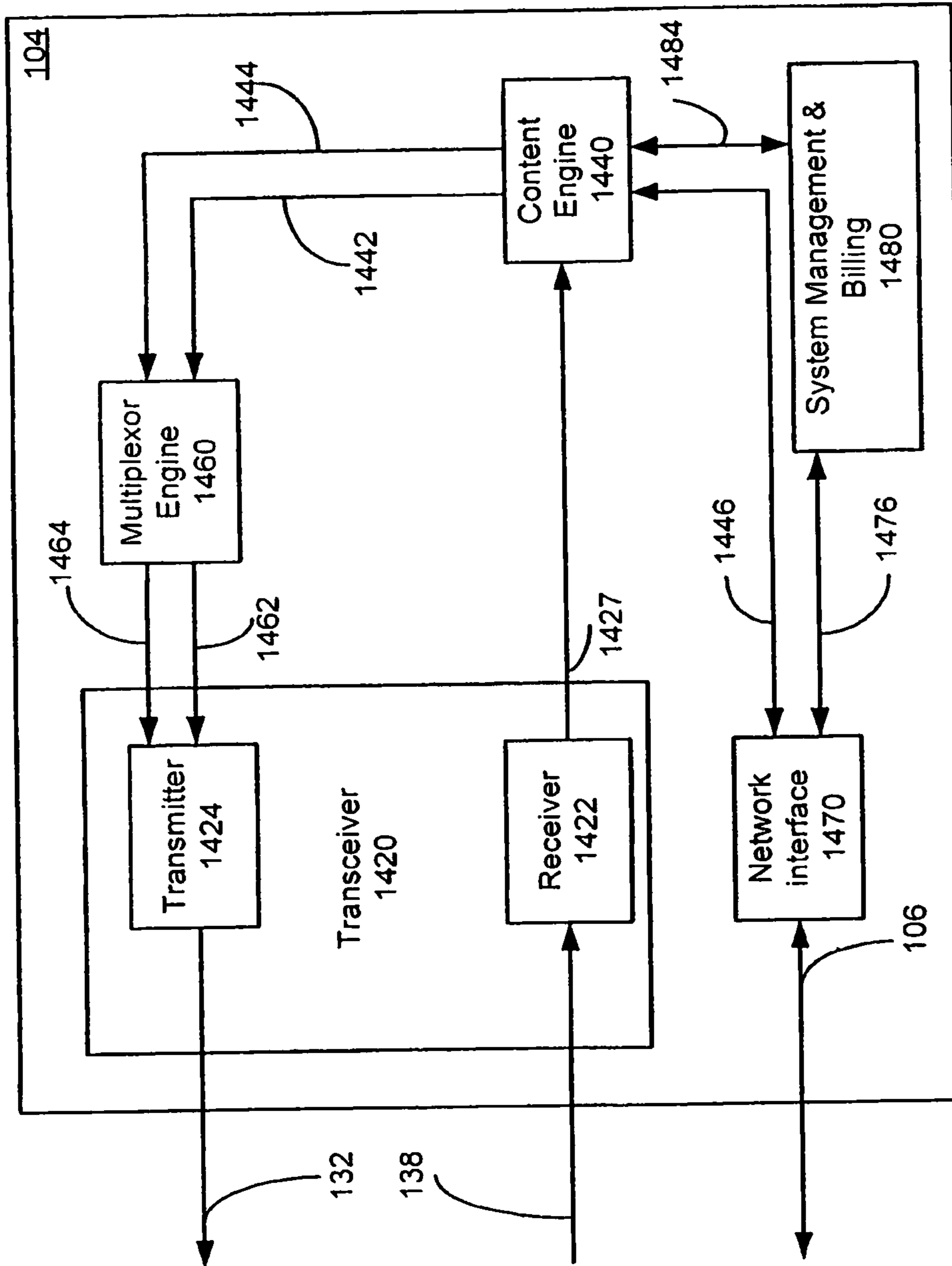


Fig. 25 Prior Art

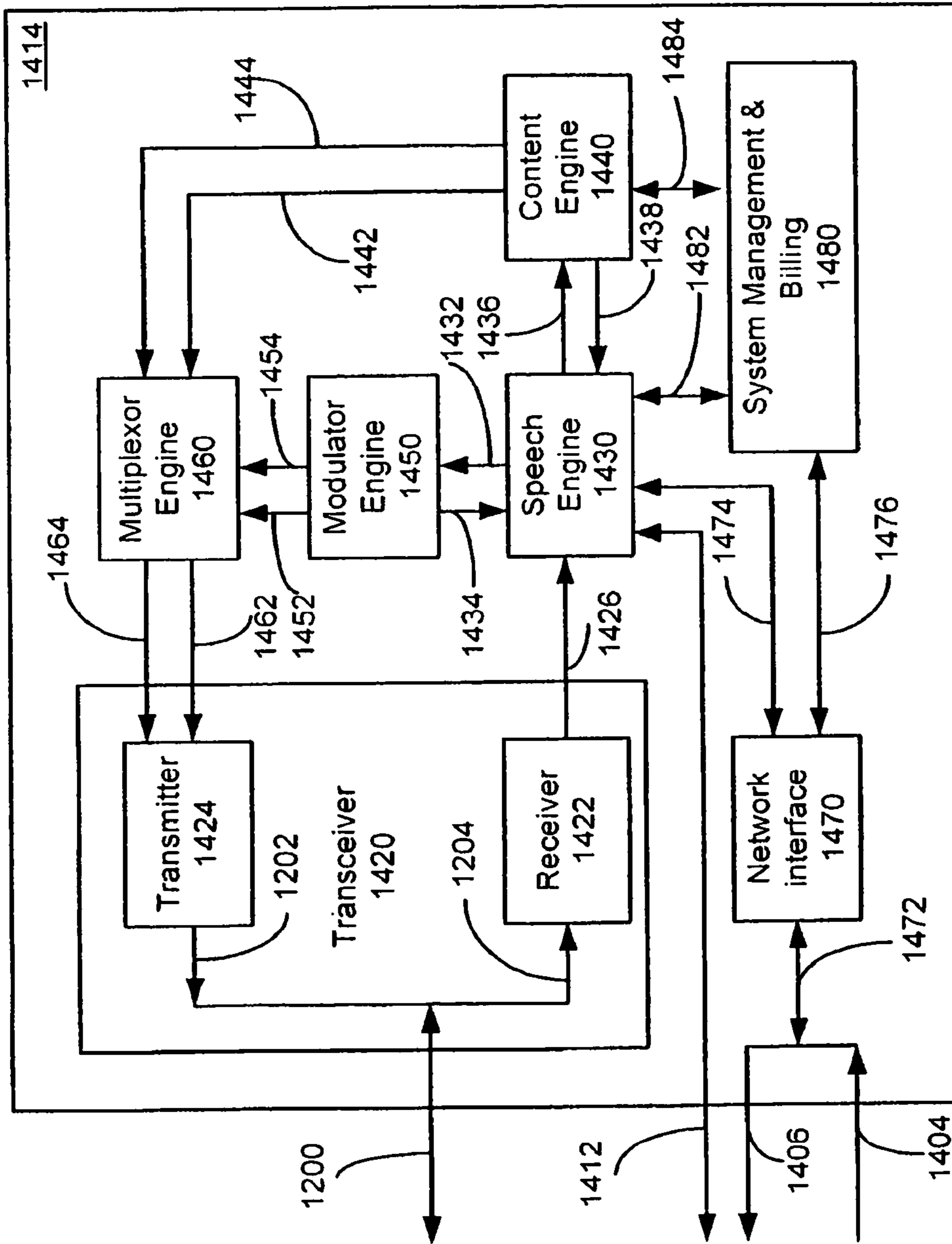


Fig. 26

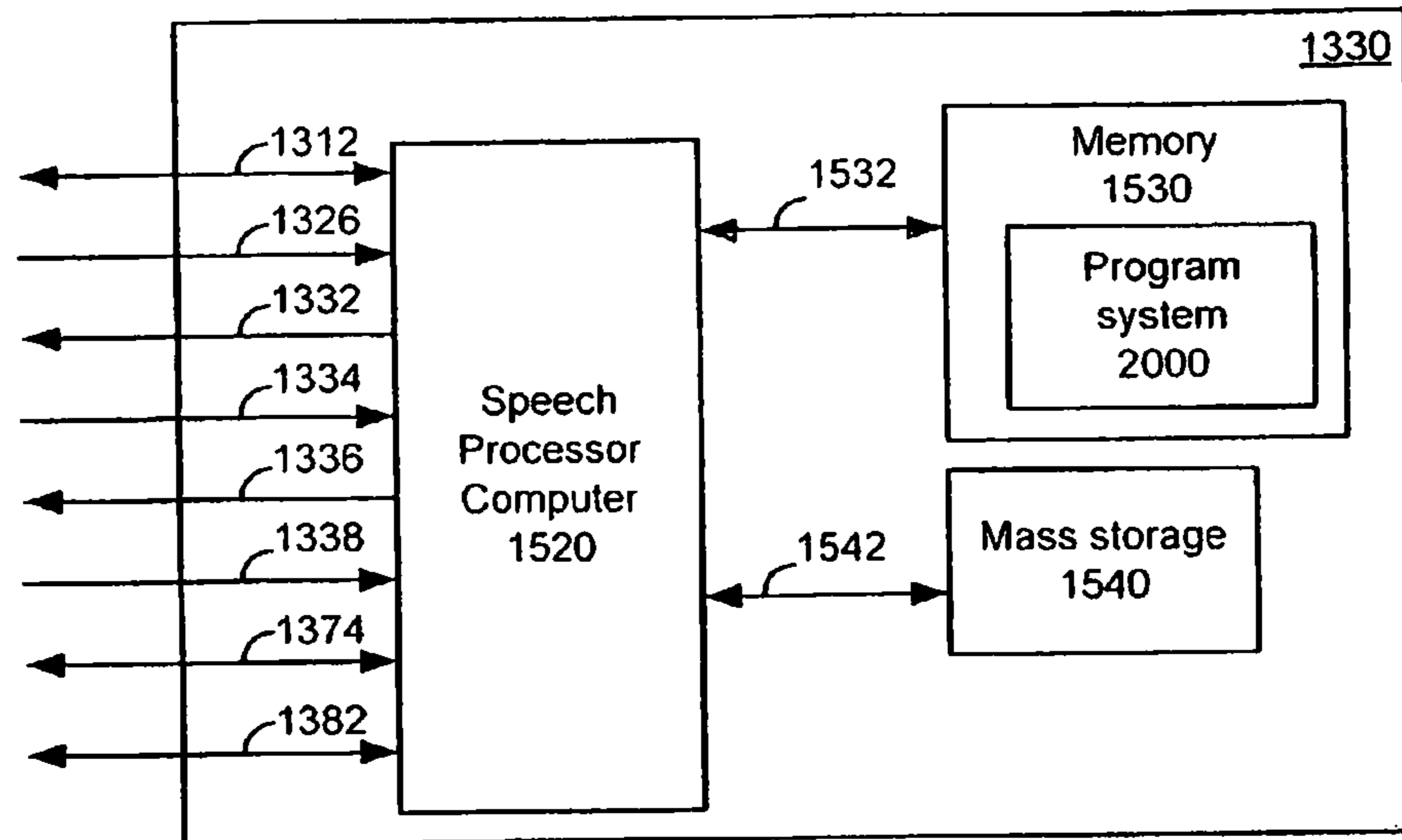


Fig. 28A

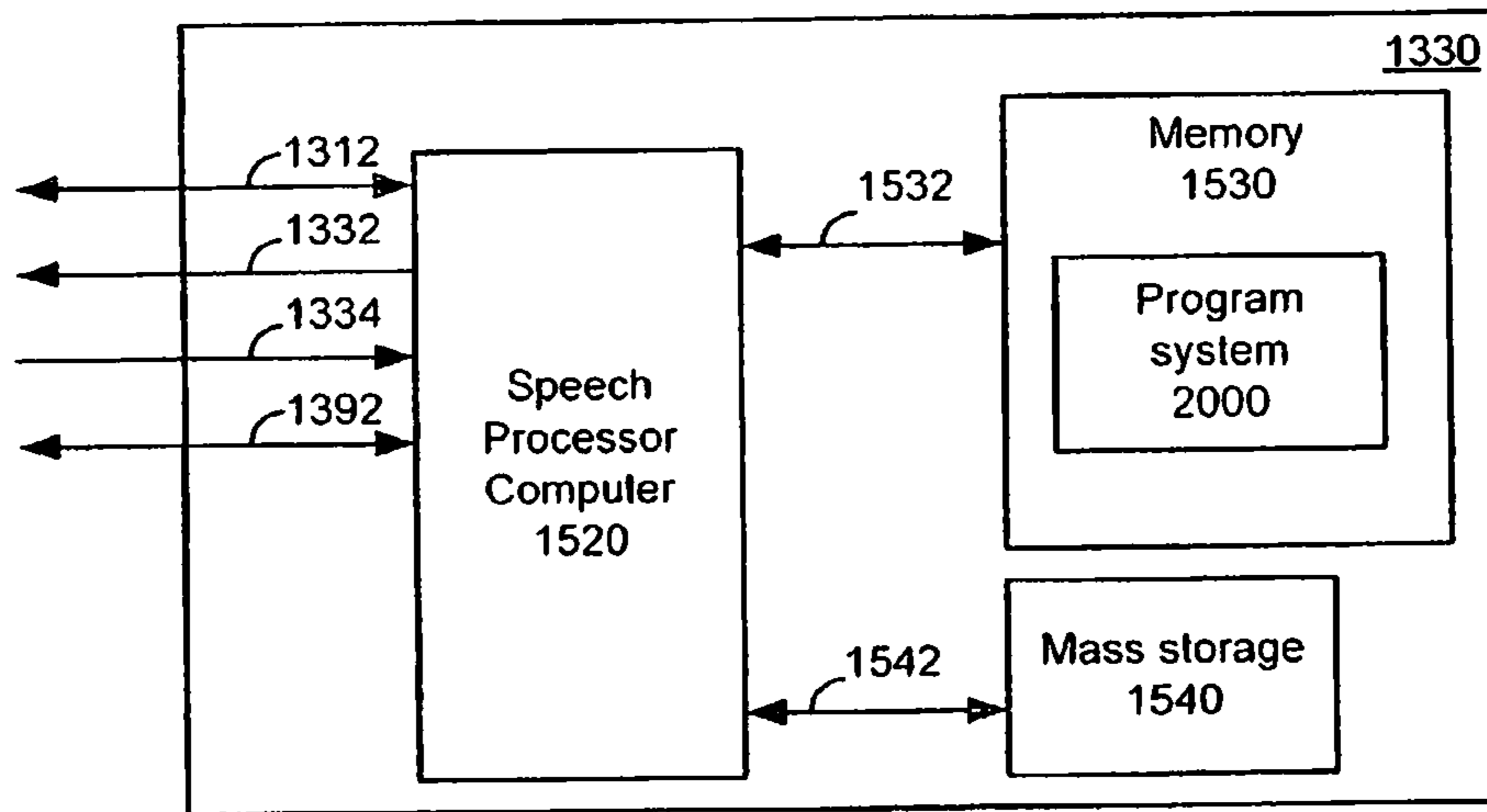


Fig. 28B

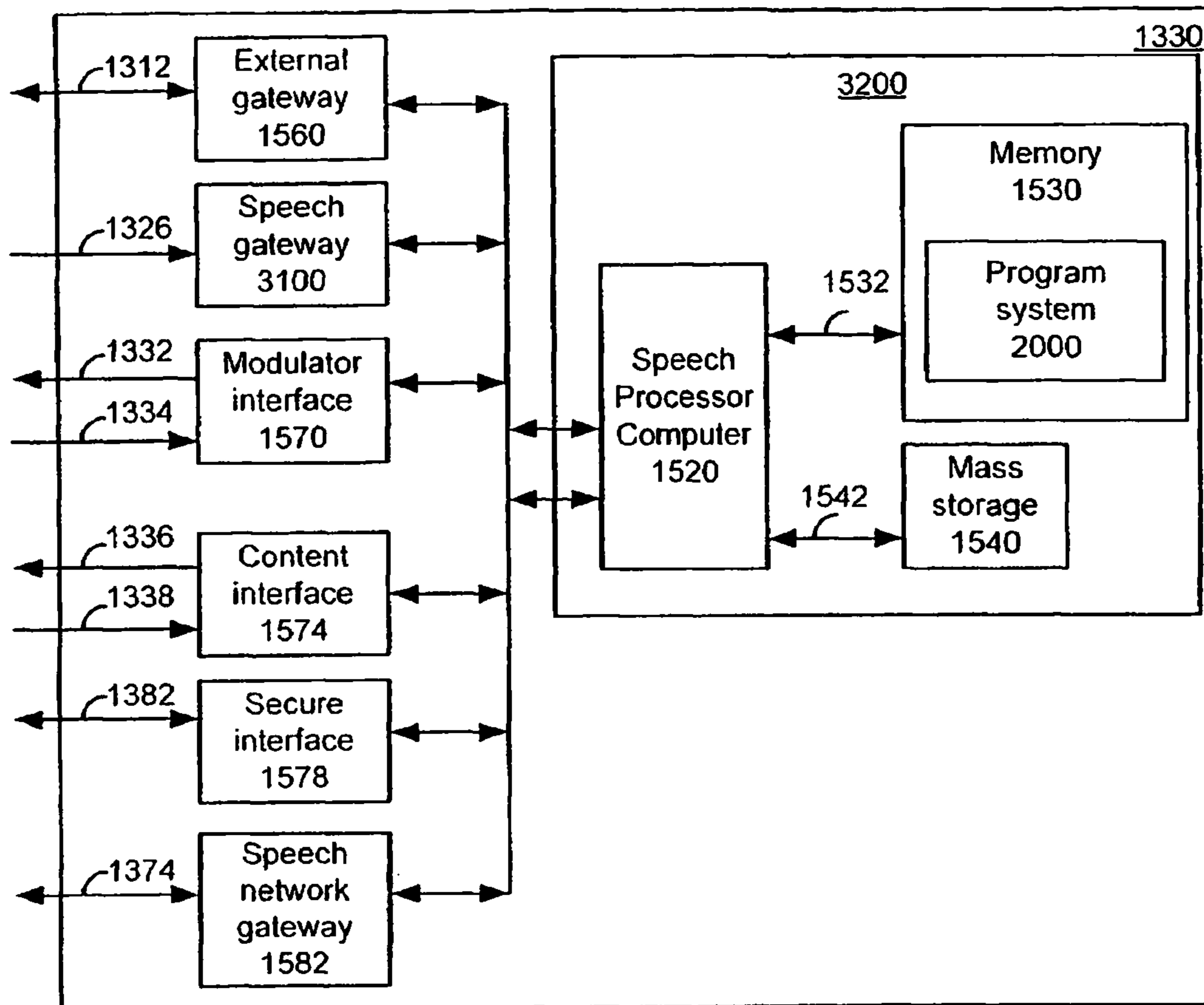


Fig. 29

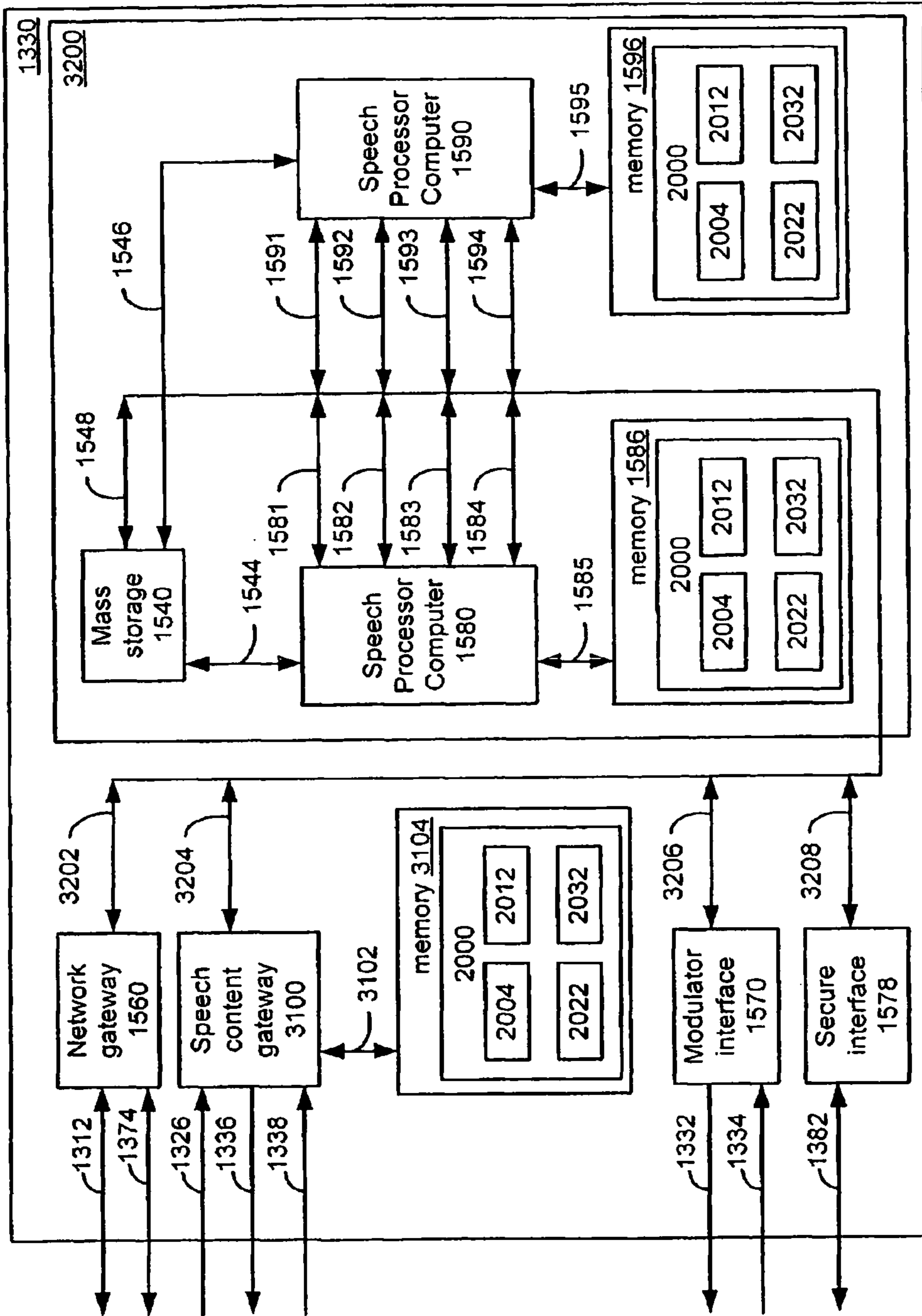


Fig. 30

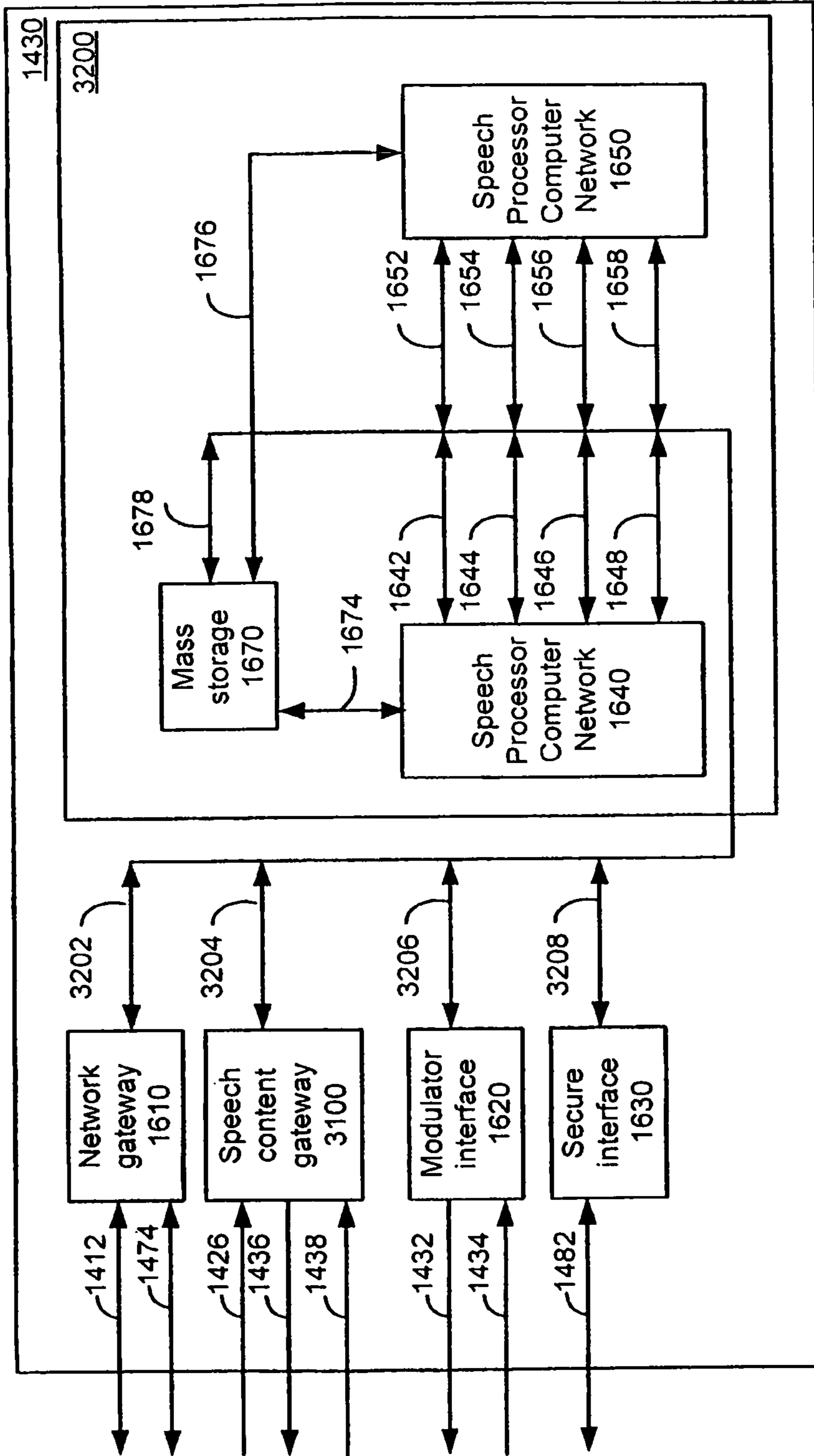


Fig. 31

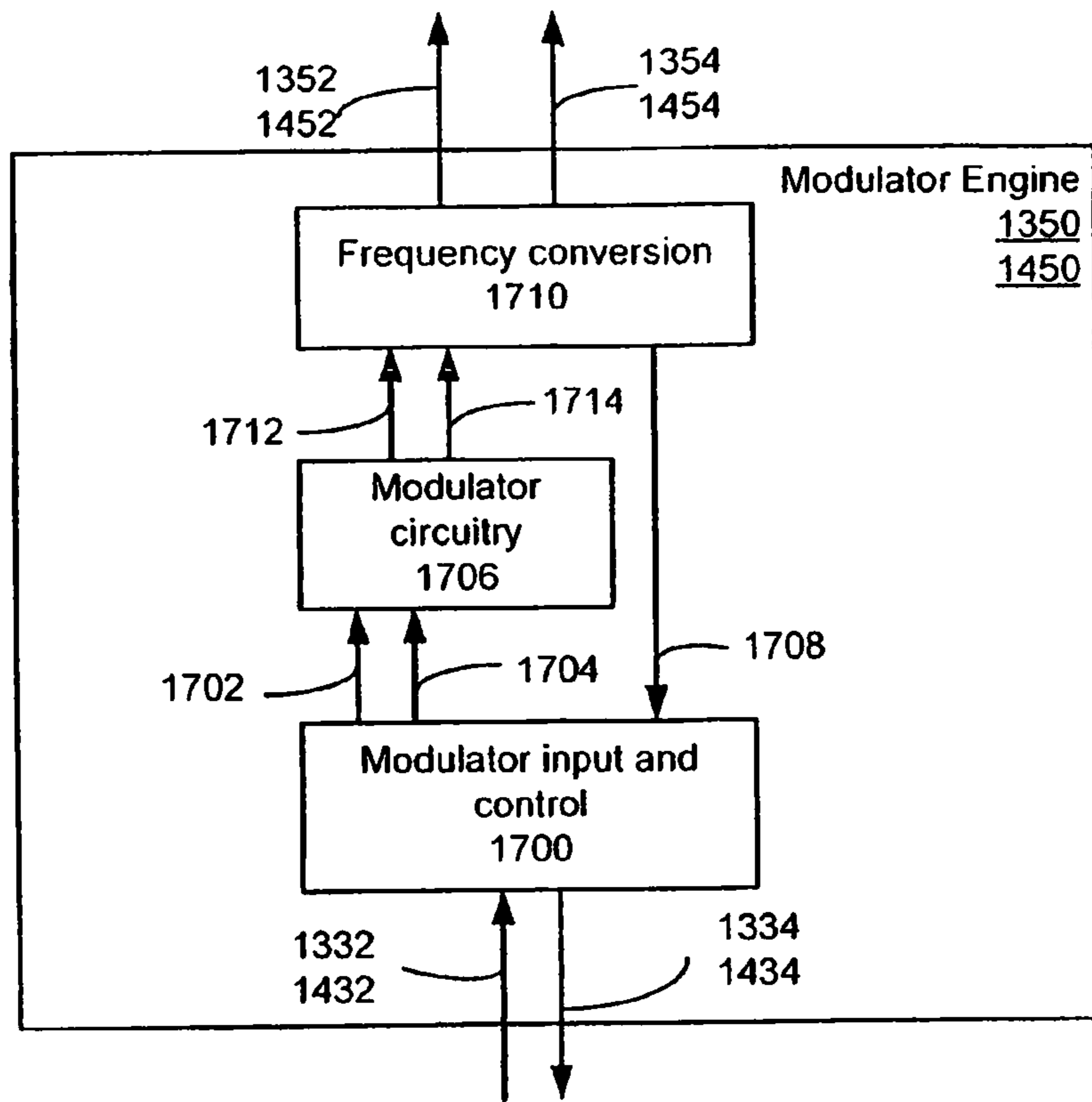


Fig. 32A

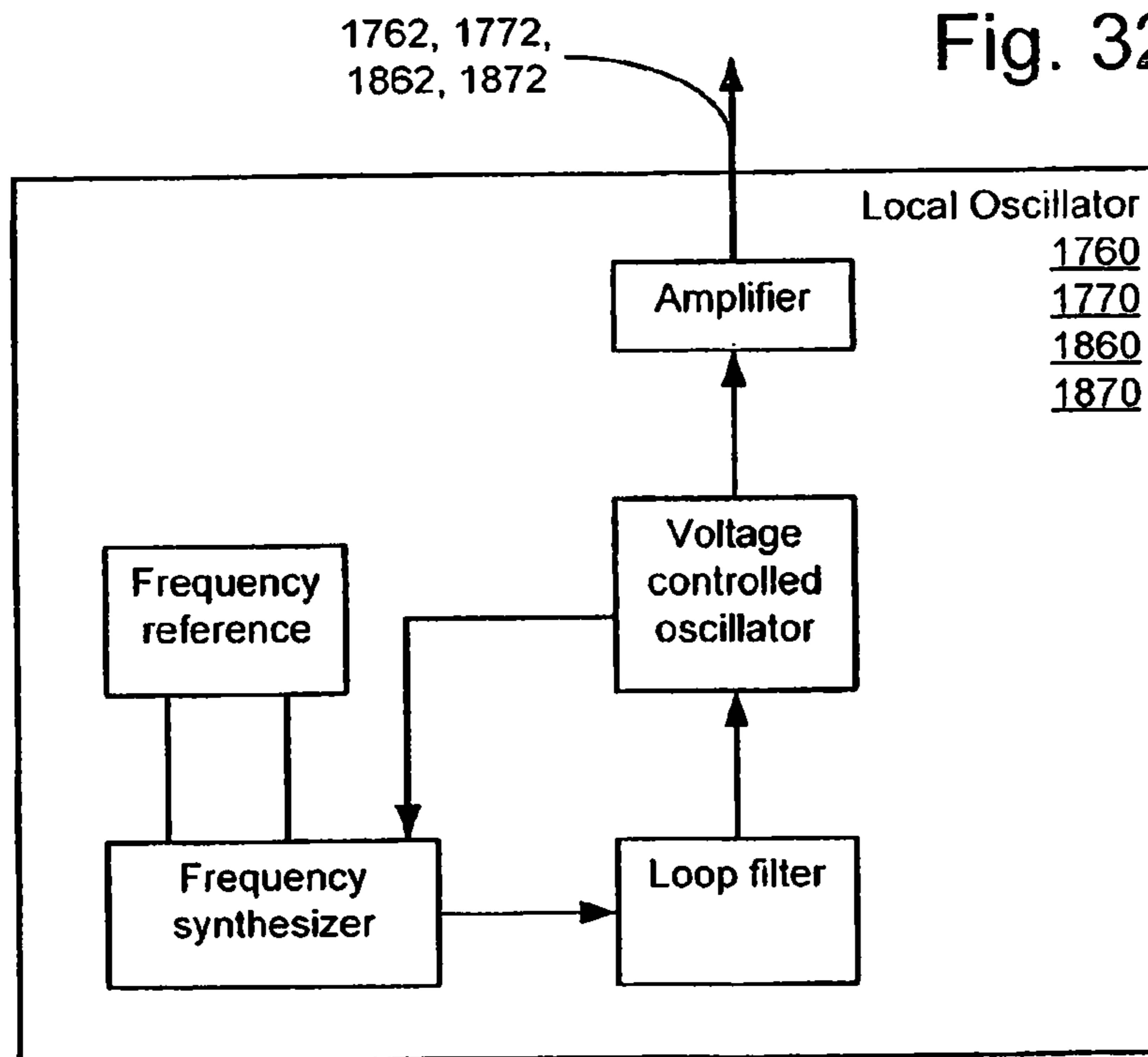


Fig. 32B Prior Art

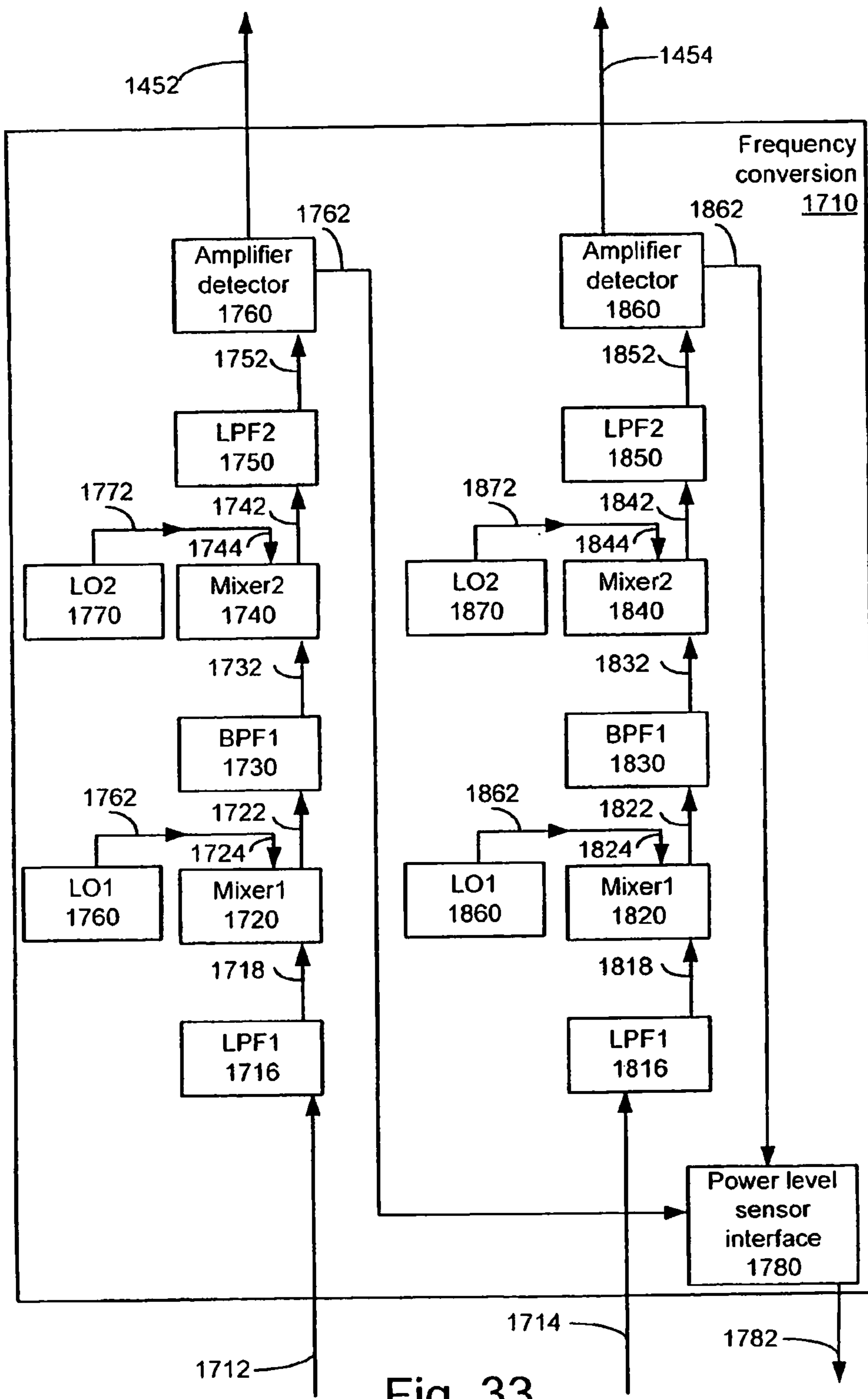


Fig. 33

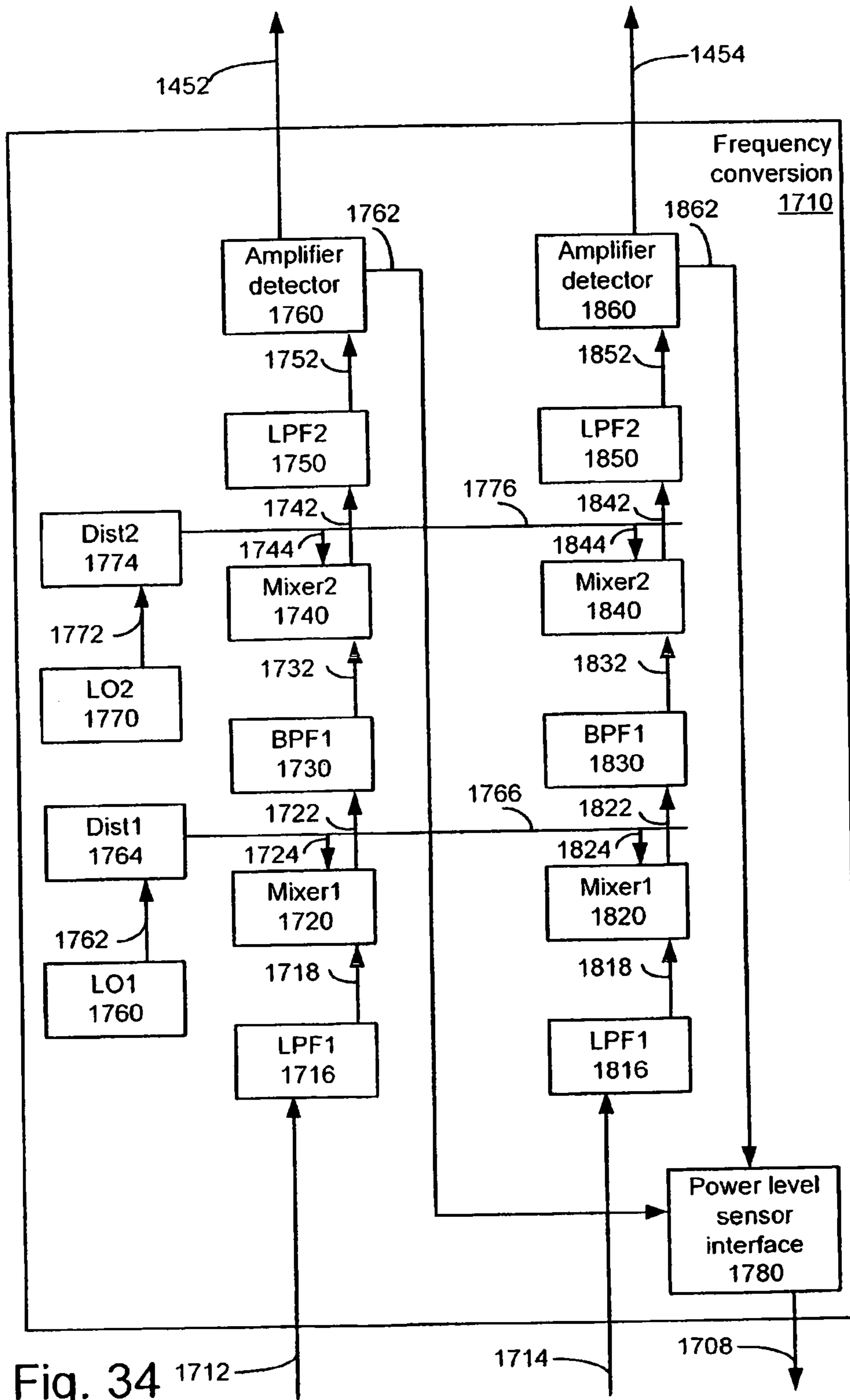


Fig. 34

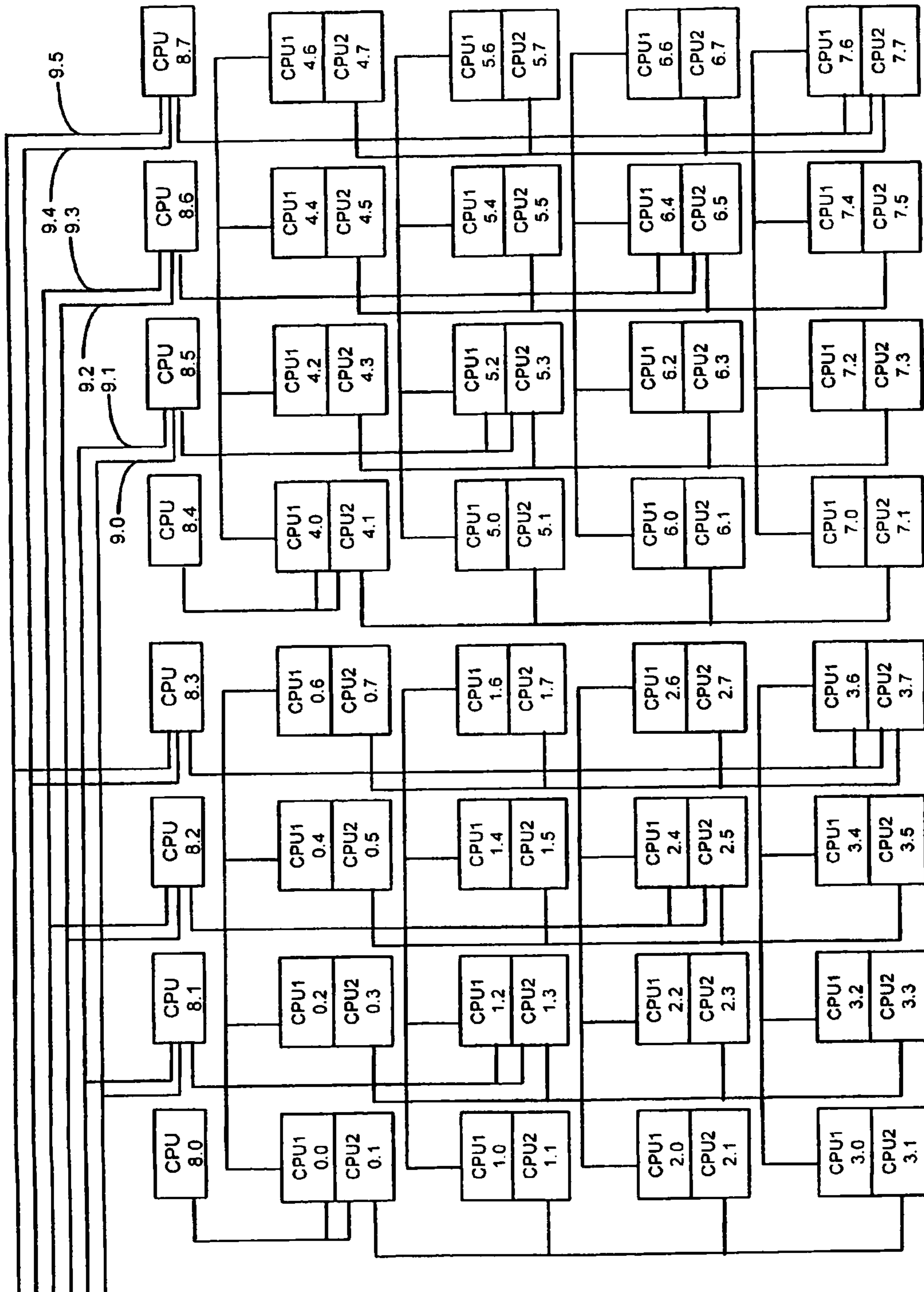


Fig. 35

**SYSTEM AND METHOD OF VOICE
RECOGNITION NEAR A WIRELINE NODE
OF A NETWORK SUPPORTING CABLE
TELEVISION AND/OR VIDEO DELIVERY**

Matter enclosed in heavy brackets [] appears in the original patent but forms no part of this reissue specification; matter printed in italics indicates the additions made by reissue.

CROSS-REFERENCE TO RELATED
APPLICATIONS

This application is a continuation from application Ser. No. 09/785,375, filed 16 Feb. 2001 now U.S. Pat. No. 7,047,196, which are incorporated herein in its entirety by this reference made thereto.

This application claims priority from Provisional Patent Application No. 60/210,440, entitled Method and Apparatus for Centralized Voice-Driven Natural Language Processing, filed 8 Jun. 2000.

This application is a continuation in part from application Ser. No. 09/679,115, entitled System and Method of a Multidimensional Plex Communication Network, filed 4 Oct. 2000 now abandoned;

Application Ser. No. 09/664,874, entitled Increased Bandwidth In Aloha-Based Frequency-Hopping Transmission Systems, filed 19 Sep. 2000;

Application Ser. No. 09/661,486, entitled N-way Demultiplexer, filed 14 Sep. 2000; and

U.S. Pat. No. 6,480,703 entitled Common Carrier, Multiple Output RF Upconverter, granted 12 Nov. 2002.

BACKGROUND OF THE INVENTION

1. Technical Field

This invention relates to voice recognition performed near a wireline node of a network supporting cable television and/or video delivery.

2. Background Art

Currently, voice operated functions using the latest voice recognition technologies are limited to a handful of applications, such as toys, appliances, some computers, voice dictation, cellular phones, and voice control of one's home. Most of these applications use voice recognition technology running on a computer or voice recognition chip technology. These voice recognition systems typically offer only a limited number of commands and the recognition efficiency is only fair and often require voice training.

There have been numerous patents issued regarding voice recognition. Many apply in a telephone context or other dial-up context such as an Automated Teller machine (ATM), including the following: Rabin, Voice command control and verification system, U.S. Pat. No. 6,081,782, issued Jun. 27, 2000, Basore, et al, Voice activated device and method for providing access to remotely retrieved data, U.S. Pat. No. 5,752,232, issued May 12, 1998, and Kowalkowski, et al, Voice-control integrated field support data communications system for maintenance, repair and emergency services, U.S. Pat. No. 5,924,069, issued Jul. 13, 1999.

There is, however, another class of voice recognition technology referred to as natural language, which requires state of the art processing software and hundreds of megabytes of RAM to support. Natural language voice recognition is currently being used in high end systems, such as billing applications for utility companies and the New York Stock

Exchange, because of its ability to recognize spoken words from any voice. Some natural language systems claim to be totally user independent and are also capable of recognizing speech in several different languages.

However, the problems of voice recognition at a centralized wireline node in a network supporting video delivery or cable television delivery have not been addressed by such prior art. For the purposes of the discussion herein, a centralized wireline node refers to a network node providing video or cable television delivery to multiple users using a wireline physical transport between those users at the node.

FIG. 1 depicts a typical network as found in a cable television and/or video delivery network employing a Hybrid Fiber-Coaxial (HFC) wiring scheme as disclosed in the prior art.

Each user site contains a Set Top Box, such as STB 180, coupling to the network through a coaxial cable 172, which interfaces 170 to a collective coaxial cable 160 which couples to a Node 126. The interface 170 may include bi-directional signal amplification and possibly further include the filtering and/or frequency shifting of these signals.

The Node 126 is hierarchically coupled 128 to a Headend 104, which in most cable television networks serves as the source of television programming and other signaling. The signals are sent through the Node 126 and couplings 160-170-172 to provide the STB 180 and others, with the television signaling. In certain large towns and cities, there may be a further hierarchical layer including a Metropolitan Headend 10 coupled 106 to Headend 104. These higher layers of the network use fiber optics for the physical transport of couplings 102, 106 and 108, as well as for 122, 126 and 128.

The couplings between STB 180 and Node 126 support bi-directional communication. The couplings between STB 180, Node 126 and Headend 104 may also support bi-directional communication. Such bi-directional communication allows the STB 180 to receive multiple television channels. This bi-directional communication allows STB 180 to signal at least limited information to the Node 126 and/or the Headend 104. Such information in either case may support management of Pay-per-View and other services.

User site accounting information usually resides at the highest level of the network, which tends to be either the Headend 104 or Metropolitan Headend 10.

In cable systems, several downstream data channels that send channel and synchronization information are often transmitted in a previously reserved band of frequencies. They are typically assigned for re-broadcasting FM channels over cable in the United States. Currently, most cable systems reserve some of the 88 to 108 MHz FM spectrum for set-top data transmission. The unused portion of that spectrum are left for barker channels or for additional video channels. The Open Cable Standard requires that the 70 to 130 MHz band be available for what's called Out-of-Band or (OOB) or Downstream transmission.

Most current cable systems use the popular HFC architecture so that the downstream video signals, digital or analog, are sent from the Headend to hubs or nodes via fiberoptic cable. At the receiving side of the node, the optical signal from the fiber gets converted to an electrical signal containing all of the analog, digital video RF carriers and program/service information. This signal, in turn, is amplified and distributed via coaxial cable to the appropriate subscribers connected to the node.

A major design objective for existing cable television set-top boxes was efficient downstream information delivery, i.e. from cable plant to subscriber. Provision for upstream data transmission, i.e. from subscriber to cable plant, is much

more restrictive, supporting only limited bandwidth. As new classes of interactive services become available, efficient use of upstream transmission bandwidth grows in importance. For example, if it is necessary to pass voice information from the subscriber to the cable headend (also known as the head-
end), sufficient upstream bandwidth must be made available.

One of the most popular digital set-top boxes, the General Instruments (now Motorola) DCT-2000, is a useful example. When this box was first deployed, upstream transmissions were restricted to user pay-per-view requests, and other simple, infrequent transmissions. As a consequence, the transmission format used for upstream transmissions was not required to be very efficient, and in fact, is not.

In this set-top box, the transmission hardware is capable of selecting twenty different 256K bps channels, each of which uses QPSK transmission coding. While the hardware is capable of frequency-hopping to avoid channels which are subject to interference, the scheme used is fairly static, with typical deployments only using two active upstream communications channels. This leads to an aggregate bandwidth of only 512K bps per cluster of set-top boxes converging in the network to a node, in cable television terms. The cable node typically supports between 500 and 2000 subscribers.

Upstream signals in the 5 to 40 MHz band from each subscriber connected to the node are collected, combined, and then sent to the Headend via either the same fiber used for the downstream video carriers, or a separate fiber.

Furthermore, the transmission control protocol used, referred to as Aloha, is one where an individual set-top box immediately transmits any pending request to the headend, without regard to whether or not the transmission channel is already in use. This transmission is repeated at regular intervals until the box receives an acknowledgement command from the headend, indicating successful receipt of the transmission.

This transmission control protocol is quite inefficient due to the number of collisions which ensue, e.g. simultaneous transmissions from different set-top boxes which interfere with one another, forcing all of the transmitters to repeat their transmissions again. This leads to typical channel utilization on the order of just 30%. As a consequence, the total bandwidth available for upstream transmission per node is only about 30% of 512K bps—~137K bps, on average.

Downstream control data transmission typically occurs in a separate frequency band from the upstream channels.

Typically, HFC networks employ an optical fiber from a central office, or Headend, to a neighborhood node. The fiber has forward and reverse transmission capability, which can alternatively be accommodated on separate fibers. Wavelength Division Multiplexing (WDM) can be used to implement both on a single fiber. At the node, coaxial cable connects the users through a shared frequency division multiplexing (FDM) scheme with contention resolution protocols used to manage upstream data flows.

Such communication schemes having both forward and backward paths, and which may or may not involve a user, are referred to as loops herein. An example of a loop is the communication between Headend 104 and Node 126. Communication schemes having both forward and backward paths to multiple users are referred to as local loops. An example of a local loop is the communication between Node 126 and user site STBs 180, 182 and 184. Note that a loop may be constituted out of optical fiber or out of coaxial cable.

Hybrid-Fiber-Copper (HFCop) networks work in much the same manner, but substitute copper wire(s), often in twisted

pairs, for coaxial cable. In such networks a local loop may further be constituted out of optical fiber, coaxial cable or twisted pairs.

Another alternative local loop configuration is commonly known as Switched Digital Video. It is a form of HFC coupling the fiber through a node to each user site with a distinct point-to-point coaxial cable. The node interfaces the user site coaxial cables with the optical fiber through a switch. The switch typically contains a network management unit which manages the switch, connecting the bandwidth service provider with multiple homes, today often in the range of five to 40 homes per switch.

The Synchronous Optical Network (SONET) scheme is also applied in the creation of high-speed networks for homes and businesses. This and similar communication schemes may be employed to deliver video streams to user sites.

FIG. 2 depicts a typical residential broadband network using local loop wiring of the network, as disclosed in the prior art.

As in FIG. 1, each user site contains a Set Top Box, such as STB 180, coupled to the network through a coaxial cable 172 which interfaces 170 to a collective coaxial cable 160 which is coupled to Node 126. Interface 170 may include bi-directional signal amplification, and possibly further include the filtering and/or frequency shifting of these signals.

As in FIG. 1, the couplings between STB 180 and Node 126 support bi-directional communication allowing the STB 180 to receive multiple television channels and allowing STB 180 to signal at least limited information to the Node 126, which may well include management of Pay-per-View and other services. The couplings between STB 180, Node 126 and Headend 104 may also support bi-directional communication allowing the STB 180 to receive multiple television channels and allowing STB 180 to signal at least limited information to the Headend 104, which may well include management of Pay-per-View and other services.

FIG. 2 shows a loop coupling Headend 104 through coupling 130 to Node 120 through coupling 132 to Node 124 through coupling 134 to Node 126 which in turn couples 136 to Headend 104 forming the loop.

The hierarchical coupling of Node 126 with Headend 104 is carried out along distinct paths through this loop. Communication from Headend 104 to Node 126 follows a path 130-132-134. Communication from Node 126 to Headend 104 follows the path 136. The specific wiring schemes are dominated by the choice of physical transport, communication protocols and network level management. The description just given for FIG. 2 is provided as a simplified discussion of the basics of how high speed residential broadband networks incorporate loops and local loops supporting network level hierarchies.

There has been extensive research into the mechanics of speech recognition. The progress has been sufficient to allow voice trading by stock brokers using their desk top computers.

While these innovations have been substantial, they do not resolve several central questions of great importance to cable television, video delivery systems, and commerce. There is no present system providing voice recognition to a collection of users over a cable television network. There is no present system providing user identification based upon that voice recognition over a network that supports cable television and/or video delivery. There is no present system sufficient for real-time auctions and contracting to be conducted over a cable television and/or video delivery network, based on user identification through voice recognition.

SUMMARY OF THE INVENTION

An embodiment of the invention provides speech recognition services to a collection of users over a network that

supports cable television and/or video delivery. User identification based upon speech recognition is provided over a cable television and/or video delivery network. User identified speech contracting is provided over a cable television and/or video delivery network having sufficient bandwidth for real-time auctions and contracting.

The invention comprises a multi-user control system for audio visual devices that incorporates a speech recognition system that is centrally located in or near a wireline node, and which may include a Cable Television (CATV) Headend. The speech recognition system may also be centrally located in or near a server farm a web-site hosting facility, or a network gateway.

In these embodiments of the invention, spoken commands from a cable subscriber are recognized and then acted upon to control the delivery of entertainment and information services, such as Video On Demand, Pay Per View, Channel control, on-line shopping, and the Internet. This system is unique in that the speech command which originates at the user site, often the home of the subscriber, is sent upstream via the return path (often five to 40 MHz) in the cable system to a central speech recognition and identification engine. The speech recognition and identification engine described herein is capable of processing thousands of speech commands simultaneously and offering a low latency entertainment, information, and shopping experience to the user or subscriber.

The system is capable of overlaying text on the subscriber's TV screen immediately after a word is recognized by the system as a verification of correct or incorrect recognition, thereby providing instant visual feedback and opportunity for acceptance or correction of speech messages.

The system can recognize and process speech so that the key words of spoken commands are recognized and displayed. This may be applied in navigation mode, in search context, or in other contexts and modes.

The system responds to a command with a visual indication of the spoken request. This visual feedback indicates recognition of key words may and be in the form of written text or icons.

The system may mask delays in upstream transmission or speech recognition. Upon depressing an optional talk button on the remote, a digital address may be appended to the beginning of the digital speech packets to be processed. The address tells the system not only the user site, but it also provides a mechanism for the system to begin generating masking screens or icons. Data are sent to the central location when the button on the microphone is depressed, alerting the system as to the user site and a potential input. This function allows the system to generate an icon or overlay to respond to the subscriber quickly. This function also supports site specific dictionaries, as well as voice data references to be loaded for speech recognition or user recognition.

At least two operations are performed at a server-center located at a central location: upstream recognition of speech commands and performing speech command protocol(s).

Low latency visual prompts are provided to support fast and accurate speech navigation. Thus, when a command is spoken and recognized the system returns the key word and optionally generates a list of visual prompts that guides the subscriber through the next navigation step. By using prompts, the system incorporates optimum recognition of the prompt words thus increasing the recognition accuracy and, at the same time, increasing satisfaction for user participation.

In this context of the invention, adaptive speech recognition is based on optimized word recognition by creating a

subset of probable matches based on knowing what is in an entertainment database or the words on a Web page. This supports learning the user's habitual speech patterns.

Secure speech transactions provide a method of speech based contracting across a multimedia distribution system. Speech based contracting as used herein, refers to a process of generating and/or executing a contract, in which at least one step of that process is based upon the invention receiving, recognizing, and witnessing an identified user's speech.

Speech based contracting includes, but is not limited to, the following: a first identified user making an offer; a second identified user accepting an offer, which may or may not be acoustically presented; as well as the second identified user specifying acceptance particulars, such as payment arrangements and the number of units.

Speech based contracting also includes, but is not limited to, acknowledging receipt of goods or services of a tangible, and/or intangible nature, possibly involving real property, personal property and/or intellectual property, exercising options of the contract, as well as terminating a pre-existing contract. The acknowledgement of receipt may include, but is not limited to, a declaration of the condition of goods upon receipt or upon subsequent testing, which may include an estimate of damage.

Speech based contracting may also include at least one of the following: the second identified user making a counter-offer to the first identified user based upon the offer; and the first identified user responding to the counter offer. The response may include accepting the counter-offer, or making a second counter-offer to the second identified user.

Speech based contracting may also include the second identified user inviting offers. The invitation may or may not specify the first identified user and/or performance constraints such as time of delivery and/or the duration of the terms and/or optional terms which may be exercised after the contract has been accepted.

Speech based contracting may also include an identified user exercising one or more optional terms of a pre-existing contract. The exercise of the optional terms may further specify one or more amounts, delivery times, ranges of time and/or place during/over which a service may be performed or commodity delivered in accordance with the optional terms of the pre-existing contract.

The offer may originate at the offeror-user site, possibly involving speech, when it is sent to the central location and recognized at the central location, recorded, distributed, and presented to potential offeree user sites. The offer may be sent to the central location to be recorded and distributed to potential offeree user sites. The offeree may signal acceptance of the offer verbally at the offeree user site where the offeree is recognized. The system transmits the verbal acceptance to the central location, where it is recognized, recorded and then transmitted to the offeror.

Using the user site address accelerates speaker identification, increases reliability, enhances security and reduces latency in identifying a speaker. Using the user site address and user specific voice data references further accelerates speaker identification, increases reliability, enhances security, and reduces latency in identifying a speaker.

The invention supports automatic generation of serial-multiplexed video output streams, without additional video boards or multiplexers. The centrally located speech recognition system employs extremely fast, efficient arrays of microprocessors, many of which may possess a frame buffer in locally accessible memory. Each microprocessor translates the frame buffer into an MPEG stream. Several MPEG

streams are merged within a single microprocessor to form a multi-media stream for distribution to subscribers.

BRIEF DESCRIPTION OF THE DRAWINGS

FIG. 1 depicts a typical network hierarchy as found in a cable television or video delivery network employing a Hybrid Fiber-Coaxial (HFC) wiring scheme as disclosed in the prior art;

FIG. 2 depicts a typical residential broadband network using local loop wiring of the network as disclosed in the prior art;

FIG. 3 depicts a remote control unit **1000** coupled **1002** to set-top apparatus **1100**, communicating via a two-stage wireline communications system containing a wireline physical transport **1200** through a distributor node **1300**, and through a high speed physical transport **1400**, possessing various delivery points **1510** and entry points **1512-1518** to a tightly coupled server farm **3000**, with one or more gateways **3100**, and one or more tightly coupled server arrays **3200**, in accordance the invention;

FIG. 4 depicts a coupled server array **3200** of FIG. 3;

FIG. 5 depicts a gateway **3100** of FIG. 3;

FIG. 6 depicts the tightly coupled server farm **3000** of FIG. 3 implemented in a two-dimensional plex communication network with N=4 plex nodes in each of two orthogonal directions of the node array;

FIG. 7 depicts a gateway **3100** of FIG. 3 implemented in a two-dimensional plex communication network with N=4 plex nodes in each of two orthogonal directions of the node array;

FIG. 8 depicts a coupled server array **3200** of FIG. 3 implemented in a two-dimensional plex communication network with N=4 plex nodes in each of two orthogonal directions of the node array;

FIG. 9 depicts a simplified block diagram using an array of processors as shown as **3200** in FIG. 3;

FIG. 10 depicts a flowchart of a method using a back channel from a multiplicity of user sites containing a multiplicity of identified speech channels presented to a speech processing system at a wireline node in a network supporting cable television delivery in accordance with the invention;

FIG. 11A depicts a detail flowchart of operation **2012** of FIG. 10 further partitioning of the received back channel;

FIG. 11B depicts a detail flowchart of operation **2022** of FIG. 10 further processing the multiplicity of the received identified speech channels;

FIG. 11C depicts a detail flowchart of operation **2032** of FIG. 10 further responding to the identified speech content;

FIG. 12 depicts a detail flowchart of operation **2000** of FIG. 10 further performing the method using the back channel from multiple user sites;

FIG. 13A depicts a detail flowchart of operation **2112** of FIG. 11C further responding to the identified speech content;

FIG. 13B depicts a detail flowchart of operation **2112** of FIG. 11C further responding to the speech content;

FIG. 14 depicts a detail flowchart of operation **2112** of FIG. 11C further responding to the identified speech content from the associated user site;

FIG. 15A depicts a detail flowchart of operation **2112** of FIG. 11C further responding to the identified speech content from the associated user site;

FIG. 15B depicts a detail flowchart of operation **2252** of FIG. 15A identifying the user;

FIG. 16 depicts a detail flowchart of operation **2112** of FIG. 11C further responding to the identified speech content from the associated user site;

FIG. 17A depicts the speech content response **2350** including current response menu **2352** and cumulative user site response **2354** in accordance with the invention;

FIG. 17B depicts a detail flowchart of operation **2112** of FIG. 11C further responding to the identified speech content from the associated user site;

FIG. 18A depicts a detail flowchart of operation **2112** of FIG. 11C further responding to the identified speech content from the associated user site;

FIG. 18B depicts a detail flowchart of operation **2092** of FIG. 11B further processing the multiplicity of the received speech channels;

FIG. 19A depicts a simplified block diagram of a hand held remote **1000**, containing microphone **1060** and keypad **1020** supporting user input which is organized and processed by embedded controller **1050** for communication by wireless interface **1040** coupled **1002** to set-top apparatus **1100**, as shown in FIG. 3;

FIG. 19B depicts a simplified block diagram of set-top apparatus **1100** as shown in FIG. 3 showing coupling **1002** and first wireline physical transport **1200** further comprised of downlink coupling **1202** and uplink coupling **1204**;

FIG. 19C further depicts set-top apparatus **1100** as shown in FIG. 19B containing a set-top appliance **1120** coupled **1002** with hand held remote **1000** and coupled **1112** with set-top box **1120** possessing downlink coupling **1202** and uplink coupling **1204**;

FIG. 19D further depicts set-top apparatus **1100** as shown in FIG. 19B containing a set-top appliance **1120** coupled **1002** with hand held remote **1000** and possessing downlink coupling **1202** and uplink coupling **1204** as well as providing processed downlink coupling **1114** to set-top box **1110** and receiving initial uplink coupling **1112** from set-top box **1110**;

FIG. 20A depicts a simplified block diagram of set-top appliance **1120** as shown in FIG. 19C supporting coupling **1002** with hand held remote **1000** and coupling **1112** with set-top box **1110**;

FIG. 20B depicts a simplified block diagram of set-top appliance **1120** as shown in FIG. 19D supporting coupling **1002** with hand held remote **1000** and couplings **1112** and **1114** with set-top box **1110**;

FIG. 20C depicts a block diagram further depicting accessibly coupled **1162** memory **1160** as shown in FIGS. 20A and 20B;

FIG. 21 depicts a remote control unit **1000-180** coupled **1002-180** to set-top apparatus **1100-180**, communicating via a two-stage wireline communications system containing a wireline physical transport **1200** through an augmented distributor node **1310** interfacing to a wireline communications loop including an augmented Headend **1410** further supporting a communications loop including augmented metropolitan Headend **1410**, in accordance with the invention;

FIG. 22 depicts a remote control unit **1000-180** coupled **1002-180** to set-top apparatus **1100-180**, communicating via a two-stage wireline communications system containing a wireline physical transport **1200** through a distributor node **126** interfacing to a wireline communications loop including an augmented Headend **1414** further supporting a communications loop including augmented metropolitan Headend **1410**, in accordance with the invention;

FIG. 23 depicts a detail block diagram of an augmented distributor node **1310**, coupled to wireline physical transport **1200** and coupled to the wireline communications loop of FIG. 21;

FIG. 24 depicts an alternative detail block diagram of an augmented distributor node 1310, coupled to wireline physical transport 1200 and coupled to the wireline communications loop of FIG. 21;

FIG. 25 depicts a generic block diagram of a prior art Headend 104 as shown in FIG. 3;

FIG. 26 depicts an augmented Headend 1410 of FIG. 21 or an augmented Headend 1414 of FIG. 22 or an augmented metropolitan Headend 1410 of FIG. 21 or 22, in accordance with the invention;

FIG. 27 depicts an alternative augmented Headend 1410 of FIG. 21 or an alternative augmented Headend 1414 of FIG. 22 or an alternative augmented metropolitan Headend 1410 of FIG. 21 or 22, in accordance with the invention;

FIG. 28A depicts a block diagram of a speech engine 1330 as shown in FIG. 23;

FIG. 28B depicts a block diagram of a speech engine 1330 as shown in FIG. 24;

FIG. 29 depicts a more detailed block diagram of a speech engine 1330 as shown in FIG. 28A;

FIG. 30 depicts an alternative detailed block diagram of a speech engine 1330 as shown in FIG. 28A;

FIG. 31 depicts a second alternative detailed block diagram of a speech engine 1330 as shown in FIG. 28A;

FIG. 32A depicts a block diagram of modulator engine 1350 of FIGS. 23 and 24, and modulator engine 1450 of FIGS. 26 and 27;

FIG. 32B depicts a block diagram of a local oscillator as is known in the art for use as a local oscillator depicted in FIGS. 33 and 34 as LO1 1760, LO1 1860, LO2 1770 or LO2 1870;

FIG. 33 depicts a detail block diagram of frequency conversion circuitry 1710 of FIG. 32A;

FIG. 34 depicts an alternative detail block diagram of frequency conversion circuitry 1710 of FIG. 32A; and

FIG. 35 depicts a detailed diagram of speech engine 1330 as shown in FIG. 23 or speech engine 1430 as shown in FIG. 27 containing two plex communications grids with dual, redundant gateways.

DETAILED DESCRIPTION OF THE INVENTION

FIG. 3 depicts a remote control unit 1000 coupled 1002 to set-top apparatus 1100. Set-top apparatus 1100 communicates via a two-stage wireline communications system containing a wireline physical transport 1200 to a distributor node 1300. Set-top apparatus 1100 communicates through distributor node 1300 across a high-speed physical transport 1400 to a tightly coupled server farm 3000, possessing various delivery points 1510 and entry points 1512-1518. Tightly coupled server farm 3000 contains one or more gateways 3100, and one or more tightly coupled server arrays 3200.

As used herein, a server farm refers to a collection of at least two server components communicatively coupled to one another. The server components may or may not all be directly communicatively coupled to each other. A server component refers to at least a gateway, server array, server computer, database engine, or disk farm.

As used herein, gateway refers to at least one of the following: A gateway may perform protocol conversion between different types of networks or applications; gateways may support complete conversion of one protocol to another, or support one protocol from within another protocol; a gateway may perform conversion between two messaging or mail protocols; a gateway may act as a go-between for two networks with similar protocols, providing an entry/exit point for one network in the other network. Such gateways include proxy servers; a gateway may switch speech and data

between a terrestrial network and an orbiting satellite communications system; and a gateway may perform network layer switching tasks between at least two networks, coordinating the delivery of information, usually in the form of messages, packets or data streams to various destinations in the networks.

As used herein, a server array refers to a multi-dimensional lattice or array of server computers, each with an associated multi-dimensional array address, and a communication grid supporting communication between server computers based upon the multi-dimensional array addresses of the source and destination server computers. A tightly coupled server array is a server array possessing a very low latency communication grid.

The invention may include a remote control unit 1000 fitted with a microphone. Remote control unit 1000 may be fitted with such features as a special noise canceling microphone and/or a push-to-talk button.

The microphone in the remote relays the subscriber's speech commands to the central speech recognition engine. The push-to-talk button may begin the process of speech recognition by informing the system that the subscriber is about to speak and also to provide immediate address information. Address information identifies the user site at which the speaking occurs.

The invention may also include an array of microphones that are operated in conjunction with a remote control 1000 that is coupled to the set top box 1100.

The microphone array may further provide an echo-canceling capability in receiving voice signals within the area of usage.

Note that there may be more than one remote control unit 1000 with one or more microphones, each remote control unit under the control of a distinct, identified user. Such situations are particularly useful in game playing settings, where different users may wish to make commands to the game simulation like "arm the photon torpedoes", etc.

A given residence may include more than one set-top box 1100, each of which has a distinct address in the network delivering video content and/or cable television. Each constitutes a distinct user site and may be parameterized differently. By way of example, a first set-top box in a recreation area for children may allow identified users, who are children, to select programming on only certain channels. Whereas a second set-top box in a private area of adults, such as a parental bedroom, may be parameterized so that child identifier users have no privileges.

Speech commands from the subscriber may be preprocessed. The analog signals picked up from the microphone are converted to digital signals where they undergo additional processing before being transmitted to the speech recognition and identification engine located in the cable Headend or other centralized location. Such speech preprocessing may include encryption, compression, or conversion to an alternative form of speech representation.

The preprocessing function may also take place in the remote control 1000 itself before being transmitted to the set-top box 1100, or set-top appliance 1100. Coupling 1002 may use a wireline or wireless physical transport. Coupling 1002 may use a wireless transport, including, but not limited to, at least one of the infra-red, microwave, or radio frequency spectrum, as well as ultrasonic signaling. Coupling 1002 may support bi-directional communication between remote control 1000 and set-top box or appliance 1100. The communication may be predominantly or strictly from remote control 1000 to set-top box or appliance 1100.

The speech signal from the remote **1000** may be a digitally modulated RF signal whose properties may comply with Part 15 of the FCC rules. Alternatively, the set-top box **1100**, or set-top appliance **1100**, receives the speech signal from the remote **1000** and performs the preprocessing function mentioned above.

The set-top box **1100**, or set-top appliance **1100** may also be used to transmit speech and subscriber address data to the centralized location or Headend for speech recognition and identification. The Radio Frequency (RF) signal from the remote **1000** is received by the set-top appliance **1100** and then re-modulated for upstream transmission **1200** on the 5 to 40 MHz cable return path. If a commercial set-top box **1100** is used to transmit the upstream speech data, then the upstream channel allocation and transmission protocol are controlled by the bi-directional communication system which is resident in the set-top box.

In certain embodiments, a commercial set-top box **1100** may not be used to transmit the digitized speech data upstream. The set-top appliance **1100** is then responsible for receiving the upstream channel allocation and synchronization information. The data receiver in the set-top appliance **1100** can be tuned to any one of several downstream data channels to receive channel and synchronization information.

The set-top appliance **1100** is also capable of receiving and decoding data in the downstream path. This function is required to organize and synchronize the transmission of upstream data which may include user feedback. Downstream data can contain upstream channel allocation information and speech verification overlay information coded as text.

The set-top box **1100** may be used for both upstream and downstream communication for the described speech command function. The function of the set-top appliance **1100** may be to receive the RF signal from the remote control and then digitize and compress the speech signal and prepare it for upstream transmission.

New RF protocol standards, such as Blue Tooth, allow the remote control's RF signal to transmit the speech signal directly to the set-top box where again, the preprocessing can either be done in the remote control **1000** or executed from firmware within the set-top box **1100**. Note that infra-red signaling may be employed to transmit the speech signal to the set-top box.

Set-top boxes **1100** that employ the DOCSIS type cable modems such as Open Cable set-top boxes or the so called Heavy Set-top boxes from such companies as Scientific Atlanta and General Instruments are capable of sending and receiving speech data using efficient data transmission protocols. The DOCSIS protocol also incorporates error detection and correction capabilities as well as other transmission enhancements such as pre-equalization for more efficient and error free transmission.

FIG. 4 depicts a coupled server array **3200** of FIG. 3.

FIG. 5 depicts a gateway **3100** of FIG. 3.

The system uses the subscriber's address information as a mechanism by which the centrally located AgileTV™ Speech Processor can fetch a particular subscriber's parameter file. The parameter file contains speech training parameter data, speech identification parameters and user profiles for each user at that address. This file can also contain parental control information in a residential setting and other specifics for that particular address, such as language preferences or movie preferences or even internet preferences.

The Addressed Subscriber Parameter File (ASPF) gives the system an extremely high probability of speech recognition and user identification. Such addressing supports secure

transactions such as banking because the speech recognition and identification system has to only identify a few parameter files for any one physical address, resulting in a very high probability of recognizing a specific speaker's speech.

Financial transaction security, e.g. speech banking and e-commerce, can be realized with this system and, with the addition of speech encryption processing in the Speech Pre-processor, even higher levels of security can be attained. This directly supports a method of contracting based upon an offer presented to the user by the system, and a recognizable acceptance of the offer by the identified user. The method of contracting may further include storing the offer and acceptance as a recording mechanism for the contract.

The speech signal transmitted from a subscriber's set-top box, or set-top appliance, **1100** is received **1510** by the five to 40 MHz data receiving equipment within gateway **3100** in the central location. As used herein, a central location may include a node, Headend, or metropolitan Headend for a residential broadband network.

When the digitized speech signal comes from a commercial set-top box, such as a General Instruments or a Scientific Atlanta set-top, then the return path receiving equipment in the central location may be specific to that type of box. Therefore, the data coming from this equipment, which contain other upstream traffic, may be parsed in such a way that only the speech commands and address information from the subscriber are input to the speech recognition engine in the central location.

When the digitized speech signal sent upstream comes from another set-top appliance, the upstream data receiver in the central location may be a separate unit that receives only speech command signals from set-top appliances at the user sites. Using the set-top appliance as the upstream transmitter allows the use of custom upstream protocols such as FM, AM, PSK, or spread spectrum digital transmission. Digital transmission techniques such as QPSK or QAM can also be employed.

Upon receiving the digitized and preprocessed speech signal from the subscriber's set-top box or set-top appliance, the received upstream signal may be in the form of a data stream containing speech and address information. The data stream containing speech and address information may be Ethernet compatible. Because the AgileTV™ Voice Processing Unit (AVPU) is a high speed speech processing unit capable of processing the data from several nodes, the digital speech signals from each of these nodes may be combined in the AVPU input multiplexer. The combining of digital speech signals may result in a smaller number of high speed digital streams.

Upstream signals such as **1510** are received at the gateway **3100**. Speech and data signals may be received from commercial return path data receivers. Speech and data signals are also received and decoded by custom return path receivers using at least one of the following protocol options: FM or AM modulation/demodulation, FDMA, TDMA, FSK, PSK, or QPSK digital modulation/demodulation, Spread Spectrum modulation/demodulation, Telephony, cellular return, or Wireless.

The AVPU Engine may not be an application service, in and of itself. The system may provide new end user applications. The AVPU Engine may provide speech recognition and control services for existing applications, such as Interactive Program Guides, Video On Demand (VOD) services or access to the Internet or World Wide Web.

Near network system initialization time, applications such as Video On Demand or Interactive Program Guides, that request service access with the speech recognition services

may be required first to register with the AVPU system. At least one standard program interface may then be used to enable each application to specify its complete menu hierarchy. The invention may use exactly one standard program interface to enable applications to specify their complete menu hierarchy.

A list structure specifies each application's menu hierarchy. This list structure may be a tree. It contains labels for each menu, along with the text of each button on each menu screen, information the system needs to provide speech navigation services independently through the menu hierarchy on behalf of the application. This menu hierarchy represents the static portion of the application's data.

In addition to the static menu structure, it may also be the responsibility of the application to inform the system of dynamic content, for example the names of movies in a Video On Demand system or of program names and times in an interactive program guide. Each time a user enters a menu context in which dynamic content appears, the application may inform the speech system of this context by passing a handle associated with the list of names that comprise the dynamic content. The speech system may combine the static menu content with the augmented dynamic content (see Similarity Searching below), to form a complete grammar. Also, application-independent keywords, such as HELP, may be combined with the static menu content and augmented dynamic content to form the complete grammar. This construct may then be passed to the speech system to maximize recognition accuracy.

Given that dynamic content, by definition varies, applications may be required to inform the system whenever the content changes. In an interactive TV guide application, for example, the application registers a new set of dynamic content every one-half hour. For a VOD system, this registration may be performed whenever the database of offered movies changes.

Once registration has been completed, and the system is being used, recognition of a spoken request may cause a signal to be sent back to the application. This signal informs the application to perform the requested action, and/or to update the contents of the screen as a result of the user's request. In this manner, the application can use the system's speech recognition services with minimal modifications to the application's code, while retaining the same graphical look and feel to which users have become accustomed.

In the subscriber's premises, a speech-enabled remote control may be employed, e.g. containing a microphone, as well as traditional universal remote control functionality. The remote control may further contain a Push-To-Talk (PTT) button. Conventional remote control functions are transmitted via infra-red (IR). The speech output may be wirelessly transmitted to a set top pod, module, or appliance located at the set-top box. The wireless transmission from the remote control may employ an electromagnetic physical transport layer or ultrasonic physical transport layer. The electromagnetic physical transport layer may use a radio frequency carrier or an infra-red carrier.

When the PTT button is pushed by the user, the remote control sends a PTT active command to the set top appliance. The appliance may then inform the set-top box to place an icon on the screen, or otherwise indicate to the user that the system is listening to them. Next, as the user speaks into the microphone, the speech is digitized, compressed, and transmitted to the set top appliance.

The set top appliance may perform any or all of the following: encrypt the speech sample to provide security; add subscriber address information; add a message length code; add

error control coding to the assembled information. The error control coding may include a Cyclical Redundancy Code (CRC), enabling data transmission errors to be detected.

In homes with set-top boxes having the necessary features, the set top appliance may transmit speech information to the set-top box, which then transmits it to the central location as a series of packets.

Alternatively, the set top appliance may directly transmit the speech stream to the central location itself. This may continue until the set top appliance receives a PTT Release from the remote, indicating end of speech. This information is also transmitted to the central location, signaling end of spoken request.

Each individual consumer's interface, i.e. set-top box or set-top appliance, may have a unique address. The address of the individual consumer's interface may be determined during the manufacturing process. As speech packets are transmitted upstream, this address information may be appended to the speech packets. The address information enables rapid determination of the user site from which the speech sample is received. The address information may precede the speech packets. The address information improves the efficiency of at least some of the central location processing stages.

Assignment of an input buffer address to the speech sample may be based upon the user site address. This input buffer collects incoming speech packets until the final packet of a spoken request has been received.

Recognition of the final speech packet receipt may be encoded in that speech packet. Final speech packet receipt recognition may include a delay in speech of greater than a predetermined amount of time. The speech delay amount may be one or more of at least the following: a globally defined constant, a user site defined constant, an identified user defined constant, or an application-defined constant for an application serviced by the speech recognition system. The final speech packet may be generated based upon the release of the PTT button in the remote control unit. The final speech packet may be generated at the remote control unit, set top pod, set top appliance, set top box, node, Headend or metropolitan Headend, or by the serviced application. The final speech packet may be generated by the serviced application based upon a time schedule, e.g. a fixed period in which participants may respond, a privilege scheme, and/or other application related scheme.

On-the-fly Cyclical Redundancy Code (CRC) error checking generation may be used. Each time a packet is read in, CRC in the processor registers may be computed as each byte is read, then the partial CRC is stored with the stored packet. The CRC may be stored at the end of the packet, at the beginning of the packet or in specifically designated locations within the packet. When the next packet arrives, the partial CRC is read from where it was stored, and the new packet data may be appended to the end of the previous packet, overwriting the temporary CRC. This continues until a complete speech sample has been received. This approach to CRC calculation cuts memory accesses in half compared to first storing the string, then making a second pass to generate the CRC.

Once a complete spoken request has been received, the speech input processor may use the sample's source address identifying a user site to target the speech data to a specific speech processing processor. This direct correspondence between the source address and a specific speech processor allows speech processors to cache user-specific parameters for the user sites they serve. The mapping of source addresses to speech processor reduces the bandwidth necessary to move user site-specific data to each speech processor. In other

embodiments of the invention, a translation table may be used to allow speech to processor assignments to be changed dynamically in the event of a hardware or other failure, e.g. capacity overload, while retaining the efficiency advantages of directly mapping the speech channel to the processor.

To process a speech sample by the speech processor into speech content, the speech processor must first contain in its local memory a copy of the grammar definition associated with the user site. A grammar is a structure often containing the words which are most likely to be spoken, the order in which these words may appear, and the meaning of various sequences of words. This structure may be a hardware configuration, software program, data structure, or a combination of two or more of these.

Before transferring the new speech sample to a speech processor, the grammar associated with the speech sample is transferred to the target speech processor. The grammar transfer may use a simple Least Recently Used (LRU) queue. If the speech processor contains enough empty space in its memory, then the indicated grammar is transferred directly to the empty memory from mass storage. Mass storage may include, but is not limited to, a disk, disk farm, or Redundant Array of Independent Disks (RAID), a high bandwidth disk farm. If not, then the least-recently-used grammar entry may be discarded, and the new grammar information loaded into the vacated memory.

The next step in processing the speech sample ensures that the current parameters associated with this user site are already cached in the specific speech processor's RAM. If these parameters are not present, then the least-recently-used parameter cache entry may be evicted from the cache.

To do this, the oldest cache entry on this speech processor is first examined to see if it has been modified. If it has, the cache entry is stored to mass storage, and the cache slot is then declared vacant. Next, the user site speech parameters associated with the new speech sample are loaded into the vacated cache block. During the relatively long access times needed to load a new set of user site parameters from mass storage (and optionally to write the old parameters to the disk, etc.), the current speech sample may be held in the input buffer in a waiting state.

After the new household speech parameters are loaded into the targeted speech processor, the speech sample is moved into the work queue for the speech processor. This minimizes speech processor delay for processing other speech requests during disk accesses. Instead, the speech processor may process other speech samples associated with user sites whose parameters are already in the cache.

Once the speech parameters associated with a speech sample are available in the speech processor, the speech sample may be assigned to the speech processor by placing a description of the speech sample into the target speech processor's work queue. As speech samples are processed, they may be removed from the front of the work queue by the speech processor.

Eventually, the speech processor reaches the current input sample. The speech sample is transferred into the speech processor's local memory, and the status of this speech sample changed to Next. This transfer may occur in parallel with the processing of the prior speech sample, ensuring that speech processor utilization is maximized.

Once this transfer is complete, and the speech processor completes processing of the prior sample, the status of this speech sample changes to Current, and the speech recognition engine begins processing this sample.

Successful processing of a speech sample requires that both the proper grammar and the proper user site parameter information be simultaneously accessible by the speech processor.

The possibility exists in which a recently-loaded grammar or speech parameter file is erased prior to its use, in the process of loading the grammar or speech parameters for the current speech sample. To eliminate this condition, the total number of speech samples sitting in the waiting and working queues of a speech processor preferably should not exceed the number of cache entries in the speech processor.

The first step in recognizing the current speech sample may determine which individual person pronounced the current spoken request. The Speaker Identification software module running on the targeted speech processor compares the spoken characteristics of this speech sample with the characteristics of the speakers who have been previously identified in this user site.

In many spoken requests, the incoming speech sample matches the characteristics of a previously identified speaker. When this occurs, the speech sample is passed on to the next phase, speech recognition.

If the speech sample is not identified with an existing speaker, then a new user routine is invoked, enabling a new user to be associated with this household. This routine records the new individual's speech parameters into this user site's speech parameters, so that the new speaker may be identified during subsequent spoken requests. Optionally, the system may offer the user site manager the opportunity to erase or modify the new speaker parameters.

The inputs to the speech recognition software module may include a speech sample, an individual user's speech parameters, and the grammar to be recognized. The speech engine determines the most likely spoken request based on statistical analysis, and may return a text string corresponding to the spoken request. This matching process is probabilistic: along with the returned text string, the speech engine may also return a confidence measure, or percentage of match likelihood. The returned text string and confidence measure enables different applications to respond differently based on the calculated confidence in the recognition result.

For recognition results having a low cost to the user, such as a request to display listings for a particular movie, lower confidence criteria may be applied. For recognition results with a high cost to the user, such as a request to purchase a movie, higher confidence thresholds may be required. Furthermore, purchase verification may be requested.

When recognition accuracy is particularly low, the speech recognition engine may determine partial matches to more than one possible phrase, returning the text of several possible matches. This process enables an application or user to select from several alternative recognition results.

In cases where a transaction results in a charge to the user, the system may record the speech sample representing the purchase request onto mass storage. This speech sample recording is performed to provide verification that a purchase request was made, should a user dispute their intent to purchase. This further supports speech-based methods of contracting. Note that the recording may be compressed in either a standard or non-standard manner, which may further include encryption technology.

Due to the statistical nature of speech recognition, spoken requests are occasionally mis-recognized. Recognition errors have been a primary hindrance to further exploitation of speech recognition systems. This system provides a mechanism by which the user receives rapid visual feedback regarding the recognition process. Soon after the speech recognition

engine has returned a result, visual text corresponding to the recognized spoken request is displayed on the display, e.g. television, screen.

This rapid visual feedback may be accomplished by transmitting the recognized text string back to the set-top box. Software executing within the set-top box displays the text information in a special window on top or overlaying of the existing application display. In cases where limitations in the set-top box prevent the window from appearing on top of existing content, software executing within the set-top box may select an alternative feedback display, for example, a different channel containing a background field, and displays the overlay information on top of this background.

In cases where the recognition accuracy is particularly poor, and the speech engine returns several possible recognition results, this overlay display capability may be used to help refine the user's query. By displaying the text of the possible recognition results, the user can easily select from the returned list.

If none of the recognized text strings match the user's spoken request, the user may elect to start again. However, more commonly, one of the displayed strings match, or be likely to readily lead to the user's speech request with appropriate modification. When this is the case, the user can readily select from the displayed alternatives, enabling improved productivity in low-recognition situations.

One key feature which can be used with applications such as Pay-Per-View and Video-On-Demand, is similarity searching. When the system is scanning for dynamic content, i.e. movie titles and actor names, a similarity search feature may be available. This enables searches for names which are only partially matched, or which resemble the recognized phrase, without requiring precise specification of the exact title or name. The technique used to deliver similarity searching is to augment the dynamic content list specified by the application. Words similar in meaning, content, or spelling to words in the content list may be automatically added to the dynamic content list whenever the application informs the system of a content update. This enables the recognition grammar to be extended to support a broader array of matches without requiring bandwidth-intensive text searches each time a user's speech request has been received. Links between similar and target words may be maintained in the internal representation of the grammar, thereby providing direct access to target names. This further enhances system performance.

Note that as used herein, similarity databases may be constructed from at least one or more of the following database architectures: relational, SQL, knowledge-based, inferential knowledge bases including Horn clause and extended Horn clause fact bases, fuzzy versions of the above, as well as neural networks and combinations of these techniques. Also, manual additions may be made at the AgileTV™ central office.

The entire system may provide fault tolerance for robust performance. For individual components, such as speech processors and associated memory, the system may automatically recognize most component failures, and disable faulty processors.

In addition, many system installations may require multiple AgileTV™ Voice Processing Unit (AVPU) boxes **3000** to meet the performance needs of the subscriber base. To ensure maximum operating time, even the total failure of an AVPU engine may not be catastrophic. The remaining AVPU engines continue to service the incoming speech traffic at a reduced performance level. This failover is carried out by a negotiation protocol between the AVPU boxes.

In addition to these internal diagnostics functions, the system may also communicate continuously with a network operations center, enabling rapid identification of system errors, as well as rapid service dispatch to correct any problems.

A speech command preprocessor may perform the function of speech filtering, digitizing, data compression, encoding pauses in speech, and address insertion. Preprocessing speech commands at user sites results in a lower upstream data rate. This processing can be located in the remote **1000**, the Set-top appliance **1100**, or the set top box.

A Speech Packet Processor may be centrally located in or near a wireline node specifically to capture and prepare the upstream speech packets that are to be fed to the Speech Recognition Engine.

A speech processor system may be centrally located in or near a wireline node, which may include a Cable Television (CATV) central location. The speech recognition system may be centrally located in or near a server farm. The speech recognition system may be centrally located in or near a web-site hosting location. The speech recognition system may be centrally located in or near a gateway.

The speech recognition engine processes speech packets to create speech content and formulate the response to the speech content for each of the user sites.

The system also performs address decoding for routing and latency reduction. It also performs the function of decoding the pauses between words or sounds originally encoded on the preprocessor at the user site.

A method is provided for a very high level of security based on the ability of being able to precisely recognize a parent's speech or a child's speech based on a limited subset of choices. The ability to recognize an individual speaker with a very high probability of identifying the specific speaker is based on knowing the address of the user site.

A large capacity, centrally located, natural speech recognition engine can readily identify a specific speaker from among a small set of choices, allowing a parent to voice print and therefore control the type, or amount or timing of content a child may request. A child may be able to learn PIN numbers but cannot readily fool the voice print. Speaker recognition is particularly appealing in this parental control application, and can be applied with very high accuracy, due to the limited number of speakers per user site. Parents may control the specific viewing times, total time, or content that a child can watch television through this system and its use.

The operational discussion just presented regarding FIGS. **3-5** is applicable to the relevant operational system embodiments based upon any and all of the FIGS. **19A** to **24**, as well as, FIGS. **26** to **31**.

A parallel processor system supporting this sort of system is disclosed in U.S. patent application Ser. No. 60/210,440, entitled "System and Method of a Multi-dimensional Plex Communication Network", which describes plex processor networks and which is incorporated herein by reference.

A plex communications network has M orthogonal directions that support communications between an M dimensional lattice that may include N^M plex-nodes, where M is at least two and N is at least four. Each plex-node pencil in a first orthogonal direction contains at least four plex-nodes and each plex-node pencil in a second orthogonal direction contains at least two plex-nodes. Each of the plex-nodes contains a multiplicity of ports.

A plex-node pencil refers to a 1-dimensional collection of plex-nodes differing from each other in only one dimensional component, i.e. the orthogonal direction of the pencil. By way of example, a nodal pencil in the first orthogonal direction of

a two-dimensional array contains the plex-nodes differing in only the first dimensional component. A nodal pencil in the second orthogonal direction of a two-dimensional array contains the plex-nodes differing in only the second dimensional component.

The plex communications network is comprised of a communication grid interconnecting the plex-nodes. The communications grid may include $N^{(M-1)}$ communication pencils, for each of the M directions. Each of the communication pencils in each orthogonal direction is coupled with a corresponding plex-node pencil containing a multiplicity of plex-nodes coupling every pairing of plex-nodes of the corresponding plex-node pencil directly.

Communication between two plex-nodes of a nodal pencil coupled with the corresponding communication pencil comprises traversal of the physical transport layer(s) of the communication pencil.

Such plex communications networks support direct communication between any two plex-nodes belonging to the same communication pencil. This supports communication between any two plex-nodes in at most M hops between plex-nodes.

FIG. 6 depicts a tightly coupled server farm 3000 of FIG. 3 implemented in a two-dimensional plex communication network with $N=4$ plex-nodes in each of two orthogonal directions of the plex-node array.

Consider the plex-node pencil in the first orthogonal direction containing Plex-node 0,0, Plex-node 1,0, Plex-node 2,0 and Plex-node 3,0. The communication pencil 400 in the first orthogonal direction couples to the plex-nodes of this plex-node pencil. Plex-node 0,0 is coupled 402 to communication pencil 400. Plex-node 1,0 is coupled 404 to communication pencil 400. Plex-node 2,0 is coupled 406 to communication pencil 400. Plex-node 3,0 is coupled 408 to communication pencil 400.

Consider the plex-node pencil in the first orthogonal direction containing Plex-node 0,1, Plex-node 1,1, Plex-node 2,1 and Plex-node 3,1. The communication pencil 410 in the first orthogonal direction couples to the plex-nodes of this plex-node pencil. Plex-node 0,1 is coupled 412 to communication pencil 410. Plex-node 1,1 is coupled 414 to communication pencil 410. Plex-node 2,1 is coupled 416 to communication pencil 410. Plex-node 3,1 is coupled 418 to communication pencil 410.

Consider the plex-node pencil in the first orthogonal direction containing Plex-node 0,2, Plex-node 1,2, Plex-node 2,2 and Plex-node 3,2. The communication pencil 420 in the first orthogonal direction couples to the plex-nodes of this plex-node pencil. Plex-node 0,2 is coupled 422 to communication pencil 420. Plex-node 1,2 is coupled 424 to communication pencil 420. Plex-node 2,2 is coupled 426 to communication pencil 420. Plex-node 3,2 is coupled 428 to communication pencil 420.

Consider the plex-node pencil in the first orthogonal direction containing Plex-node 0,3, Plex-node 1,3, Plex-node 2,3 and Plex-node 3,3. The communication pencil 430 in the first orthogonal direction couples to the plex-nodes of this plex-node pencil. Plex-node 0,3 is coupled 432 to communication pencil 430. Plex-node 1,3 is coupled 434 to communication pencil 430. Plex-node 2,3 is coupled 436 to communication pencil 430. Plex-node 3,3 is coupled 438 to communication pencil 430.

Three of these ports on each plex-node are devoted to providing a direct interconnect to the other plex-nodes of its row through a collection of communication paths forming the communication pencil in the second orthogonal direction.

These plex-nodes belong to the same row as the plex-nodes of the plex-node pencil in the second orthogonal direction.

A plex-node may have at least one additional port. At least one of the additional ports may be connected to an external network. Further, at least one of the additional ports may be connected to an external mass storage system. In other embodiments of the invention, at least one of the additional ports may be connected to an external database system.

A plex-node may contain at least one instruction processor. As used herein, an instruction processor includes but is not limited to instruction set processors, inference engines and analog processors. An instruction set processor refers to instruction processors changing state directly based upon an instruction, and which change an internal state by executing the instruction. The instruction may include, but is not limited to, direct or native instructions and interpreted instructions. An inference engine changes state when presented an instruction, which may include an assertion, an assumption, or an inference rule. Inference engines include, but are not limited to, Horn clause engines such as Prolog requires, constraint based systems and neural network engines. As referred to herein, analog processors include, but are not limited to, optical signal processors, CCD's, and resonant cavity devices responding to data and/or controls asserted in the analog domain.

Communication includes, but is not limited to, communication using a digital communications protocol. Communication also includes a messaging protocol using the digital communications protocol. Communications also includes a messaging protocol supporting TCP-IP, supporting the Internet, and/or supporting the World Wide Web.

Communications may also include at least one video stream protocol using a digital communications protocol. Communications may include at least one multi-media stream protocol using the video stream protocols including motion JPEG and/or at least one form of MPEG.

The invention may support Wavelength Division Multiplex (WDM) through the physical transport of the communication paths of the communication pencils.

Each plex-node may include a communication processor. Each plex-node may further include M communications processors. The ports of each communications processor may be connected to each one of the pencils supporting pencil communications processing.

FIG. 7 depicts a gateway 3100 of FIG. 3 implemented in a two-dimensional plex communication network with $N=4$ plex-nodes in each of two orthogonal directions of the plex-node array.

In FIGS. 6 and 7, upstream signals 1510 may be received at the Plex-node 0,0, performing functions similar in nature to processor node 3110 of FIGS. 3, 4 and 5. Plex-node 0,1 may couple 3142 to RAID 3130 subsystem, providing high-speed access to a high capacity disk farm. Various signals 1512 to 1518 may be generated by various plex-nodes. Note that because of the uniformity of the communication structure, there is great flexibility in choosing which plex-node generates which communication signals.

FIG. 7 also shows coupling 3002 to a speech recognition server array 3200.

FIG. 8 depicts a coupled server array 3200 of FIG. 3 implemented in a two-dimensional plex communication network with $N=4$ plex-nodes in each of two orthogonal directions of the plex-node array.

Each plex-node of FIG. 8 may include a plex communications network supporting a two or more dimensional array of internal plex-nodes, each including at least one instruction processor.

FIG. 9 depicts a simplified block diagram using an array of processors as shown as **3200** in FIG. 3.

Consider an array of plex-nodes, where each plex-node uses multiple-processor IC's labeled CPU. Each CPU may possess three or more high speed serial protocol channels **C1-3**, a high speed interconnect bus **B1**, a low speed interconnect bus **PCI** and a local memory access bus **R**. Each CPU may include at least two processors. Each processor may be an instruction processor. Each CPU may be an integrated circuit. The integrated circuit may be a **BCM 12500** manufactured by Broadcom Corporation of Irvine, Calif.

CPU1 and **CPU2** are locally coupled via at least one of the interconnect buses. Each CPU possesses locally accessible memory via an **R** bus. Each CPU may further access locally accessible memory via its own **R** bus. The **R** bus accessed memory may include **DDR SDRAM** (Double Data Rate Synchronous DRAM).

Three serial protocol channels for the first CPU of each CPU pair are dedicated to communication within each row of CPU pairs. Three serial protocol channels for the second CPU of each CPU pair are dedicated to communication within each column of CPU pairs.

Assume each CPU contains at least two processors. Assume each processor is operating at **K** billion integer operations/second and **L** billion floating point operations/second. Assume the high speed serial channels support a gigabit/second bidirectional transfer rates. The **DDR DRAMs** support **M** gigabyte/second access rates. This system provides **64*K** billion integer operations, **64*L** billion floating point operations, **128** gigabits/second interconnect communication bandwidth throughout the array through the high speed serial channels, as well as **64*M** gigabytes/second local memory access. By decoupling the tasks running on each processor, making them independent and concurrent, this system architecture achieves the dream of Multiple-Instruction Multiple Datapath computing (**MIMD**), providing essentially linear speed up with the increase in processors for up to 64 processors.

Such architectures can support each processor generating a frame in a local frame buffer and rendering it into a motion video stream, which is merged into a multiplexed video content stream suitable for a variety of multi-media applications. This apparatus meets or exceeds the requirements of a number of teraflop-class computing applications, which today have no cost effective solution. Note that the processors may each be dual instruction processors housed in a single package.

Each of these arrays will process over **1K** speakers concurrently and fit into a single rack mount enclosure. Standard **72** inch, tall racks could then hold **4** such speech engines, also known herein as an **AVPU**, supporting up to **140,000** subscribers. Each server contains at least dual, redundant, hot-swappable power supplies, and redundant, hot-swappable disks with automatic recovery for failed disk drives. The hot-swappable power supplies may further be half-sized, each supporting the power requirements of half the server engine.

Real-time, extensive diagnostics and continuous connectivity to a 24 hours per day, seven days per week (**24x7**) Network Operations Center insuring timely failure detection and service dispatch. In systems with more than one speech engine, the server automatically handles catastrophic failures gracefully. Even if an entire speech engine fails, the remaining ones pick up the workload.

FIG. 10 depicts a flowchart of a method that uses a back channel containing a multiplicity of identified speech channels for speech recognition at a wireline node in a network

supporting video or cable television delivery in accordance with the invention. The back channel is from a multiplicity of user sites and is presented to a speech processing system at the wireline node in the network. The speech processing system performs the operations of the method.

Operation **2000** starts the operations of this flowchart. Arrow **2002** directs the flow of execution from operation **2000** to operation **2004**. Operation **2004** performs receiving the back channel to create a received back channel. Arrow **2006** directs execution from operation **2004** to operation **2008**. Operation **2008** terminates the operations of this flowchart.

Arrow **2010** directs the flow of execution from starting operation **2000** to operation **2012**. Operation **2012** performs partitioning the received back channel into a multiplicity of received identified speech channels. Arrow **2014** directs execution from operation **2012** to operation **2008**. Operation **2008** terminates the operations of this flowchart.

Arrow **2020** directs the flow of execution from starting operation **2000** to operation **2022**. Operation **2022** performs processing the multiplicity of the received identified speech channels to create a multiplicity of identified speech content. Arrow **2024** directs execution from operation **2022** to operation **2008**. Operation **2008** terminates the operations of this flowchart.

Arrow **2030** directs the flow of execution from starting operation **2000** to operation **2032**. Operation **2032** performs responding to the identified speech content to create an identified speech content response, for each of the multiplicity of the identified speech contents. Arrow **2034** directs execution from operation **2032** to operation **2008**. Operation **2008** terminates the operations of this flowchart.

Portions of the flowchart of FIG. 10 related to operations **2022** and **2032** may operate a speech processing system coupled to a wireline node in a network. The wireline node provides multiple received identified speech channels to the speech processing system. The received identified speech channels are based upon a received back channel at the wireline node from multiple user sites coupled to the network. The network supports video delivery to the user sites and/or cable television delivery to the user sites.

The speech processing system may include at least one computer. Operations **2022** and **2032** may be implemented as program steps of a program system operating at least part of the computers included in the speech processing system. Implementations of these operations as program steps may reside in memory accessibly coupled to at least one computer in the speech processing system.

Note that operations **2002** and **2012** may be implemented in hardware and/or implemented as program steps used in operating computers located at the wireline node. Such computers may or may not be part of the speech processing system.

At least one, and possibly all, of the identified speech channels may have an associated user site.

FIG. 11A depicts a detail flowchart of operation **2012** of FIG. 10 further partitioning the received back channel.

Arrow **2070** directs the flow of execution from starting operation **2012** to operation **2072**. Operation **2072** performs partitioning the received back channel into a multiplicity of received identified speech channels from the associated user site. Arrow **2074** directs execution from operation **2072** to operation **2076**. Operation **2076** terminates the operations of this flowchart.

FIG. 11B depicts a detail flowchart of operation **2022** of FIG. 10 further processing the multiplicity of the received identified speech channels.

Arrow **2090** directs the flow of execution from starting operation **2022** to operation **2092**. Operation **2092** performs processing the multiplicity of the received identified speech channels from the associated user site to create multiple identified speech contents. Arrow **2094** directs execution from operation **2092** to operation **2096**. Operation **2096** terminates the operations of this flowchart.

FIG. **11C** depicts a detail flowchart of operation **2032** of FIG. **10** further responding to the identified speech content.

Arrow **2110** directs the flow of execution from starting operation **2032** to operation **2112**. Operation **2112** performs responding to the identified speech content from the associated user site to create the identified speech content response for the associated user site. Arrow **2114** directs execution from operation **2112** to operation **2116**. Operation **2116** terminates the operations of this flowchart.

FIG. **12** depicts a detail flowchart of operation **2000** of FIG. **10** further performing the method using the back channel from multiple user sites.

Arrow **2120** directs the flow of execution from starting operation **2000** to operation **2122**. Operation **2122** performs determining the associated user site from the received identified speech channel. Arrow **2124** directs execution from operation **2122** to operation **2126**. Operation **2126** terminates the operations of this flowchart.

Arrow **2130** directs the flow of execution from starting operation **2000** to operation **2132**. Operation **2132** performs determining the associated user site from the identified speech content. Arrow **2134** directs execution from operation **2132** to operation **2126**. Operation **2126** terminates the operations of this flowchart.

Arrow **2140** directs the flow of execution from starting operation **2000** to operation **2142**. Operation **2142** performs determining the associated user site from the identified speech content and a speaker identification library. Arrow **2144** directs execution from operation **2142** to operation **2126**. Operation **2126** terminates the operations of this flowchart.

Arrow **2150** directs the flow of execution from starting operation **2000** to operation **2152**. Operation **2152** performs determining the associated user site from the identified speech content and a speech recognition library. Arrow **2154** directs execution from operation **2152** to operation **2126**. Operation **2126** terminates the operations of this flowchart.

Arrow **2160** directs the flow of execution from starting operation **2000** to operation **2162**. Operation **2162** performs determining the associated user site from an identification within the speech channel. Arrow **2164** directs execution from operation **2162** to operation **2126**. Operation **2126** terminates the operations of this flowchart.

Note that the determination of the associated user site may be provided by an identification within the speech channel. By way of example, a technician may be recognizable at many user sites, and may identify the user site as Room 432 or 10 Main Street in the process of activities at that user site. The invention can include at least one of the operations **2120**, **2132**, **2142**, **2152** and **2162**.

FIG. **13A** depicts a detail flowchart of operation **2112** of FIG. **11C** further responding to identified speech contents.

Arrow **2170** directs the flow of execution from starting operation **2112** to operation **2172**. Operation **2172** performs processing the identified speech content response to create the identified user site response. Arrow **2174** directs execution from operation **2172** to operation **2176**. Operation **2176** performs sending the identified user site response to the iden-

tified user site. Arrow **2178** directs execution from operation **2176** to operation **2180**. Operation **2180** terminates the operations of this flowchart.

FIG. **13B** depicts a detail flowchart of operation **2112** of FIG. **11C** further responding to the identified speech content.

Arrow **2190** directs the flow of execution from starting operation **2112** to operation **2192**. Operation **2192** performs assessing the speech content response identified as to the user site to create a financial consequence identified as to the user site. Arrow **2194** directs execution from operation **2192** to operation **2196**. Operation **2196** performs billing the user site based upon the financial consequence. Arrow **2198** directs execution from operation **2196** to operation **2200**. Operation **2200** terminates the operations of this flowchart.

FIG. **14** depicts a detail flowchart of operation **2112** of FIG. **11C** further responding to the identified speech content from the associated user site.

Arrow **2210** directs the flow of execution from starting operation **2112** to operation **2212**. Operation **2212** performs assessing the speech response to create a financial consequence identified as to the user site. Arrow **2214** directs execution from operation **2212** to operation **2216**. Operation **2216** performs displaying the financial consequence to create a displayed financial consequence at the user site. Arrow **2218** directs execution from operation **2216** to operation **2220**. Operation **2220** performs confirming the displayed financial consequence from the user site to create a financial commitment. Arrow **2222** directs execution from operation **2220** to operation **2224**. Operation **2224** performs billing the user site based upon the financial commitment. Arrow **2226** directs execution from operation **2224** to operation **2228**. Operation **2228** terminates the operations of this flowchart.

FIG. **15A** depicts a detail flowchart of operation **2112** of FIG. **11C** further responding to the identified speech content from the associated user site.

Arrow **2250** directs the flow of execution from starting operation **2112** to operation **2252**. Operation **2252** performs identifying a user based upon the speech content identified with the user site to create an identified user. Arrow **2254** directs execution from operation **2252** to operation **2256**. Operation **2256** terminates the operations of this flowchart.

FIG. **15B** depicts a detail flowchart of operation **2252** of FIG. **15A** further identifying the user.

Arrow **2270** directs the flow of execution from starting operation **2252** to operation **2272**. Operation **2272** performs fetching a user profile list based upon the user site and the user profile list containing at least one user profile. Arrow **2274** directs execution from operation **2272** to operation **2276**. Operation **2276** performs identifying the user based upon the speech content and based upon the user profile list to create an identified user. Arrow **2278** directs execution from operation **2276** to operation **2280**. Operation **2280** terminates the operations of this flowchart.

FIG. **16** depicts a detail flowchart of operation **2112** of FIG. **11C** further responding to the identified speech content from the associated user site.

Arrow **2290** directs the flow of execution from starting operation **2112** to operation **2292**. Operation **2292** performs assessing the speech response based upon the identified user to create a financial consequence for the identified user. Arrow **2294** directs execution from operation **2292** to operation **2296**. Operation **2296** performs displaying the financial consequence to create a displayed financial consequence at the user site. Arrow **2298** directs execution from operation **2296** to operation **2300**. Operation **2300** performs confirming the displayed financial consequence from the user site based upon the identified user to create a financial commitment.

Arrow 2302 directs execution from operation 2300 to operation 2304. Operation 2304 performs billing the identified user based upon the financial commitment. Arrow 2306 directs execution from operation 2304 to operation 2308. Operation 2308 terminates the operations of this flowchart.

FIG. 17A depicts the speech content response 2350, including the current response menu 2352 and the cumulative user site response 2354, in accordance with the invention.

The speech content response may include a current response menu and a cumulative user site response identified as to the user site for at least one of the user sites.

FIG. 17B depicts a detail flowchart of operation 2112 of FIG. 11C further responding to the identified speech content from the associated user site.

Arrow 2330 directs the flow of execution from starting operation 2112 to operation 2332. Operation 2332 performs responding to the speech contents based upon the current response menu and based upon the cumulative user site response to create a new cumulative user site response. Arrow 2334 directs execution from operation 2332 to operation 2336. Operation 2336 terminates the operations of this flowchart.

Arrow 2340 directs the flow of execution from starting operation 2112 to operation 2342. Operation 2342 performs assessing the speech contents based upon the current response menu and based upon the cumulative user site response to create a new current response menu. Arrow 2344 directs execution from operation 2342 to operation 2336. Operation 2336 terminates the operations of this flowchart.

At least one of operations 2332 or 2342 may be performed.

FIG. 18A depicts a detail flowchart of operation 2112 of FIG. 11C further responding to the identified speech content from the associated user site.

Arrow 2370 directs the flow of execution from starting operation 2112 to operation 2372. Operation 2372 performs responding to the speech content, identified as to the user site, based upon a natural language, to create a speech content response of the speech content identified as to user site. Arrow 2374 directs execution from operation 2372 to operation 2376. Operation 2376 terminates the operations of this flowchart.

FIG. 18B depicts a detail flowchart of operation 2092 of FIG. 11B further processing the multiplicity of the received speech channels.

Arrow 2390 directs the flow of execution from starting operation 2092 to operation 2392. Operation 2392 performs processing the received speech channels from the user site based upon a natural language for the user site to create the speech content identified as to the user site. Arrow 2394 directs execution from operation 2392 to operation 2396. Operation 2396 terminates the operations of this flowchart.

FIG. 19A depicts a simplified block diagram of a hand held remote 1000, containing microphone 1060 and keypad 1020 supporting user input organized and processed by embedded controller 1050 for communication by wireless interface 1040 coupled 1002 to set-top apparatus 1100, as shown in FIG. 3.

FIG. 19B depicts a simplified block diagram of set-top apparatus 1100 as shown in FIG. 3 showing coupling 1002 and first wireline physical transport 1200 comprised of downlink coupling 1202 and uplink coupling 1204.

Note that microphone 1060 may include more than one audio-sensor and/or a microphone array of two or more microphone units.

FIG. 19C further depicts set-top apparatus 1100 as shown in FIG. 19B containing a set-top appliance 1120 coupled 1002 with hand held remote 1000. Set-top appliance 1120 is

coupled 1112 with set-top box 1110 possessing downlink coupling 1202 and uplink coupling 1204.

FIG. 19D further depicts set-top apparatus 1100 as shown in FIG. 19B containing a set-top appliance 1120 coupled 1002 with hand held remote 1000 and possessing downlink coupling 1202 and uplink coupling 1204. Set-top appliance 1120 provides processed downlink coupling 1114 to set-top box 1110 and receives initial uplink coupling 1112 from set-top box 1110.

Regarding FIGS. 19A-19D, the following observations may be made.

The invention supports unidirectional communication via coupling 1002, supporting communicative transfer from the remote 1000 via coupling 1002 to set-top apparatus 1100.

The invention supports bi-directional communication via coupling 1002. Note that noise-canceling microphones 1060 may use bidirectional communication on coupling 1002. Noise cancellation may be performed within set-top apparatus 1100, by at least one of the set-top box 1110 and set-top appliance 1120.

Wireless interface 1040 interacts with coupling 1002. Coupling 1002 may use a wireless transport, including, but not limited to, at least one of infra-red, microwave or radio frequency spectrum regions, as well as ultrasonic signaling. Embedded controller 1050 controls 1042 wireless interface 1040. Embedded controller 1150 communicates via 1042 with wireless interface 1040 to direct communication across coupling 1002.

FIG. 20A depicts a simplified block diagram of set-top appliance 1120 as shown in FIG. 19C supporting coupling 1002 with hand held remote 1000 and coupling 1112 with set-top box 1110.

Computer 1150 is coupled 1132 to remote interface 1130 and also coupled 1142 to set-top box interface 1140. Computer 1150 executes a program system including program steps residing in accessibly coupled 1162 memory 1160.

The program system executed by computer 1150 includes program steps maintaining hand held remote 1000 communication through remote interface 1130 and maintaining set-top box 1120 communication through set-top box interface 1140.

Remote interface 1130 couples 1002 with hand held remote 1000 (not shown in FIG. 20A).

Remote interface 1130 incorporates the necessary device or devices to provide communications using the embodiment's physical transport layer.

Set-top box interface 1140 couples 1112 with set-top box 1120, as shown in FIG. 19C. Coupling 1112 may use a wireline or wireless physical transport. Coupling 1112 may use a wireless transport, including, but not limited to, at least one of the infra-red, microwave or radio frequency spectrum, as well as ultrasonic signaling. Set-top box interface 1140 incorporates the necessary device or devices to provide communications using the embodiment's physical transport layer.

FIG. 20B depicts a simplified block diagram of set-top appliance 1120 as shown in FIG. 19D supporting coupling 1002 with hand held remote 1000 and couplings 1112 and 1114 with set-top box 1110.

Set-top box interface 1140 provides processed downlink coupling 1114 to set-top box 1110 and receives initial uplink coupling 1112 from set-top box 1110 as shown in FIG. 19D. Set-top box interface 1140 incorporates the necessary device or devices to provide these communications.

FIG. 20C depicts a block diagram further depicting accessibly coupled 1162 memory 1160 as shown in FIGS. 20A and 20B.

Accessibly coupled **1162** memory **1160** may contain RAM memory **1180** coupled **1182** to computer **1150**. Accessibly coupled memory **1160** may include more than one RAM memory **1180**. Distinct RAM memories **1180** may be distinctly coupled to computer **1150**. One or more RAM memories **1180** may act as a cache memory for computer **1150**.

Accessibly coupled **1162** memory **1160** may contain non-volatile memory **1190** coupled **1192** to computer **1150**. Accessibly coupled memory **1160** may include more than one non-volatile memory **1190**. Distinct non-volatile memories **1190** may be distinctly coupled to computer **1150**. A non-volatile memory may be organized as file management system.

Note that the coupling **1182** of RAM memory **1180** may be distinct from coupling **1192** of non-volatile memory **1190** with computer **1150**. Either RAM memory and/or non-volatile memory components may be packaged with computer **1150**.

FIG. **21** depicts a remote control unit **1000-180** coupled **1002-180** to set-top apparatus **1100-180**. Set-top appliance **1100-180** communicates via a one- or two-stage wireline communications system containing a wireline physical transport **1200** to an augmented distributor node **1310**. The communications traverse augmented distributor node **1310** interfaced to a wireline communications loop including an augmented Headend **1410**. The network may further support a communications loop including augmented metropolitan Headend **1410**.

As used herein, the adjective augmented is used to refer to a node incorporating at least one embodiment of the invention.

Augmented node **1310** may control and support optimized upstream communication as disclosed in the co-pending application Ser. No. 09/679,115, entitled "Increased Bandwidth in Aloha-based Frequency Hopping Transmission Systems" by Calderone and Foster, both inventors of this application and commonly assigned to AgileTV, and incorporated herein by reference.

Augmented node **1310** may provide cached content such as popular videos for a VOD service.

Speech processing may be performed in many situations at augmented node **1310**.

Augmented Headend **1410** and augmented metropolitan Headend **1410** provide speech processing capabilities. Augmented Headend **1410** may be used to handle speech processing for nodes **120** and **124**. Augmented metropolitan Headend **1410** may be used to handle speech processing for Headends **100** and **106**. Headends **100** and **106**, and nodes **120** and **124** are not augmented by this invention.

Alternatively, augmented Headend **1410** may control the optimized upstream communication as disclosed in the co-pending application Ser. No. 09/679,115, entitled "Increased Bandwidth in Aloha-based Frequency Hopping Transmission Systems". Node **1310** may support the optimized upstream communication. Upstream communication from augmented node **1310** and from augmented Headend **1410** may employ the same upstream communications protocol, or different upstream communications protocol.

Note that metropolitan Headend **1410** may not be involved in the optimized upstream communication scheme.

Alternatively, metropolitan Headend **1410** may be involved in the optimized upstream communication scheme. Augmented metropolitan Headend **1410** may further control the optimized upstream communication as disclosed in the co-pending application Ser. No. 09/679,115, entitled "Increased Bandwidth in Aloha-based Frequency Hopping Transmission Systems". Augmented Headend **1410** may sup-

port the optimized upstream communication between node **1310** and set-top apparatus **1100-180**. Node **1310** may then carry out the optimized upstream communication. Upstream communication from augmented node **1310** and from augmented Headend **1410** may employ the same upstream communications protocol, or different upstream communication protocols.

Note that in certain network installations, there may be no metropolitan Headend, augmented or otherwise. Further, in certain network installations, there may only be one Headend.

FIG. **22** depicts a remote control unit **1000-180** coupled **1002-180** to set-top apparatus **1100-180**, communicating via a two-stage wireline communications system containing a wireline physical transport **1200** to a distributor node **126**. Distributor node **126** interfaces to a wireline communications loop including an augmented Headend **1414**. The network may further support a communications loop including augmented metropolitan Headend **1410**, in accordance with the invention.

Augmented Headend **1414** may control and support optimized upstream communication as disclosed in the co-pending application Ser. No. 09/679,115, entitled "Increased Bandwidth in Aloha-based Frequency Hopping Transmission Systems" by Calderone and Foster, both inventors of this application and commonly assigned to AgileTV, incorporated herein by reference.

Augmented Headend **1414** may provide cached content such as popular videos for a VOD service. Speech processing may be performed in many situations at augmented Headend **1414**.

Augmented metropolitan Headend **1410** may further provide speech processing capabilities. Augmented metropolitan Headend **1410** may be used to handle speech processing requirements for Headends **100** and **106**, which are not augmented by this invention.

The couplings between STB **1100-180**, Node **126** and Headend **1410** may also support bidirectional communication allowing the STB **1100-180** to receive multiple television channels and allowing STB **1100-180** to signal at least limited information to augmented Headend **1410**, which may well include management of Pay-per-View and other services.

Alternatively, augmented metropolitan Headend **1410** may control the optimized upstream communication as disclosed in the co-pending application Ser. No. 09/679,115, entitled "Increased Bandwidth in Aloha-based Frequency Hopping Transmission Systems". Augmented Headend **1414** may then support the optimized upstream communication. Upstream communication from augmented node **126** and from augmented Headend **1410** may employ the same upstream communications protocol, or a different upstream communications protocol.

Note that metropolitan Headend **1410** may not be involved in the optimized upstream communication scheme.

Alternatively, metropolitan Headend **1410** may be involved in the optimized upstream communication scheme. Augmented metropolitan Headend **1410** may further control the optimized upstream communication as disclosed in the co-pending application Ser. No. 09/679,115, entitled "Increased Bandwidth in Aloha-based Frequency Hopping Transmission Systems".

Augmented Headend **1410** may support the optimized upstream communication between node **126** and set-top apparatus **1100-180**. Node **126** may then carry out the optimized upstream communication. Upstream communication from node **126** and from augmented Headend **1410** may employ the same upstream communications protocol, or different upstream communication protocols.

Note that in certain network installations, there may be no metropolitan Headend, augmented or otherwise. Further, in certain network installations, there may only be one Headend.

FIG. 23 depicts a detail block diagram of an augmented distributor node 1310, coupled to wireline physical transport 1200 and coupled to the wireline communications loop of FIG. 21.

Note that there may be one transport 1200. Transceiver 1320 couples to transport 1200 to provide uplink 1204 and downlink 1202 communications between STB's 1100 of FIG. 21.

There may be multiple transports 1200 corresponding to wireline circuits servicing combinations of at least one of the interfaces 170, 174 and 178, as shown in FIGS. 1, 2, 21 and 22. Transceiver 1320 couples to transport 1200 to provide uplink 1204 and downlink 1202 communications between STB's 1100 of FIGS. 21 and 22. Note that transceiver 1320 may provide multiple uplinks 1204. Transceiver 1320 may provide multiple downlinks 1202.

Transceiver 1320 may include transmitter 1324 providing downlink 1202 communications to wireline physical transport 1200. Multiple downlinks 1202 may be provided by transmitter 1324. Alternatively, multiple downlinks 1202 may be provided by more than one transmitter 1324.

Transceiver 1320 may include receiver 1322 providing uplink 1204 communications from wireline physical transport 1200. Multiple uplinks 1204 may be provided by receiver 1322. Alternatively, multiple uplinks 1204 may be provided by more than one receiver 1322.

Wireline physical transport 1200 may further include separate uplink physical transport 1204 and downlink physical transport 1202. Various embodiments of the invention may include multiple uplink physical transports 1204. Various embodiments of the invention may include multiple downlink physical transports 1202. There may be a difference in the number of uplink physical transports 1204 and the number of downlink physical transports 1202.

Note that there may be a difference in the number of transmitters 1324 and the number of receivers 1322.

By way of example, referring to FIG. 21, one downlink stream 1202 may be sent to interface 170, and a second downlink stream, not shown in FIG. 21 or FIG. 23, may be sent to interface 174. One uplink stream 1204 may be received from interface 170, and a second uplink stream, not shown in FIG. 21 or FIG. 23, may be received from interface 174.

Hereafter, the discussion focuses on a single transmitter 1324 providing as many downlinks 1202 and on a single receiver 1322 providing as many uplinks 1204 as required. This is done strictly to simplify the discussion and is not meant to imply any limitation on the invention.

Uplink 1204 communication includes a back channel. This back channel includes multiple identified speech channels from multiple user sites (STBs) 1100, as shown in FIGS. 21 and 22. Receiver 1322 provides 1326 a back channel to speech engine 1330. Speech engine 1330 performs at least the operations of FIG. 10.

Speech engine 1330 further communicatively interacts 1374 with network interface 1370. Network interface 1370 couples 1372 to other network components. Network coupling 1372 may further include a predominantly input coupling 1306 and a predominantly output coupling 1308.

Network interface 1370 may communicatively interact 1376 with local system management and billing 1380. Local system management and billing 1380 may include systems

management and billing data relevant to the elements of the overall network managed or controlled through the local node.

Local system management and billing 1380 may further maintain systems management and billing data relevant to the elements of the overall network managed or controlled through the local node.

Local system management and billing 1380 may include a cache of systems management and billing data relevant to the elements of the overall network managed or controlled through the local node.

Receiver 1322 provides 1326 a back channel to speech engine 1330. Speech engine 1330 performs at least the operations of FIG. 10. Speech engine 1330 further communicatively interacts 1374 with network interface 1370.

Speech engine 1330 may communicatively interact 1382 with system management and billing 1380. Speech engine 1330 may send 1382 system management and billing 1380 requests for user account information, including, but not limited to, credit information, authorization profiles for channel viewing, credit limits, and parental safeguards. Speech engine 1330 may send 1382 system management and billing 1380 user passwords, confirmation of commitments, commands regarding authorization levels of other users, such as children within a user's household.

Speech engine 1330 may receive 1382 from system management and billing 1380 credit information, authorization profiles for channel viewing, credit limits and parental safeguards. Speech engine 1330 may receive 1382 from system management and billing 1380 confirmation of acceptance of contracts from financial engines. Acceptance of contracts from external financial engines may be received in a number of different ways, including through interactions with network interface 1370 or other external communications networks 1312.

System management and billing 1380 may further include interfaces to other external communications networks. Such circuitry is not the subject of this invention and is not discussed further herein.

Similarly, the mechanism of contract acceptance between system management and billing 1380 and financial engines is not the subject of this invention and is not discussed further herein.

Speech engine 1330 may receive 1338 from content engine 1340 content status information. Content status information may include a list of available services through the coupled network(s). Content status information may further include a list of services available within the node.

Content status information may include a list of content items cached through the network. Content status information may further include a list of content items cached at the node. Cached content items may include Interactive Program Guide (IPG) listings for some period of time. Cached content items may include one or more video sequences provided through Video On Demand (VOD) or Pay-Per-View services.

Content engine 1340 communicatively interacts 1378 with network interface 1370. Content engine 1340 may provide at least one locally generated multi-media stream 1342 to Multiplexor engine 1360 as well as at least one multi-media stream 1344 received 1378 through network interface 1370. Content engine 1340 may modify multi-media stream 1344 received 1378 from network interface 1370 through network input 1306. Content engine 1340 may stimulate 1378 network interface 1370, altering network output 1308 from network interface 1370.

Content engine 1340 may have more than one registered application server each presenting static menu content and

dynamic content. A speech processor within speech engine 1330 may be presented a grammar based upon the static and dynamic content of multiple registered application servers. The merged services may be presented to the users as specialized, multi-application service menus provided by the speech engine 1330 to the users.

Speech engine 1330 may generate one or more channels of speech response content through coupling 1332 to modulator engine 1350. Modulator engine 1350 may further provide 1334 status and reliability information to speech engine 1330. Speech response content channels presented through coupling 1332 may be digital. Speech response content channels may be presented as bits or clusters of bits of a specific bit width.

Multiple channels may be multiplexed onto coupling 1332 by speech engine 1330. The multiplexing mechanism onto channel 1332 may perform time division multiplexing. Modulator engine 1350 may demultiplex multiple multiplexed channels received through coupling 1332. Modulator engine 1250 may convert one or more demultiplexed channels into modulated channels, or modulated collections of channels, presented 1352 and 1354 to multiplexor engine 1360.

Multiplexor engine 1360 accepts the multiple locally generated channels 1352, 1354 and 1342 as well as the locally received, and possibly modified, external stream 1344 to create at least one merged stream 1362. Multiplexor engine 1360 may create more than one merged stream, e.g. 1364.

Transmitter 1324 receives at least one merged stream 1362 from multiplexor engine 1360 to generate at least one downlink stream 1202 of physical transport 1200. Transmitter 1324 may receive more than one merged stream 1364 from multiplexor engine 1360.

Speech engine 1330 may further interact 1312 with an external network. Such an interaction may involve at least one wireline physical transport layer. The wireline physical layer may support at least one or a combination of communication protocols using optical, infra-red and radio frequency regions of the electromagnetic spectrum. Network interactions 1312 may support message passing protocols, including, but not limited to, TCP-IP. Network interactions 1312 may further support communications with the Internet and World Wide Web.

FIG. 24 depicts an alternative detail block diagram of an augmented distributor node 1310, coupled to wireline physical transport 1200 and coupled to the wireline communications loop of FIG. 21.

Receiver 1322 provides a back channel to speech engine 1330 through interactions 1328 with switch 1390 delivering 1392 the back channel to speech engine 1330.

Speech engine 1330 communicatively interacts 1374 with network interface 1370 by the speech engine 1330 interacting 1392 with switch 1390 which interacts 1398 with network interface 1370.

Network interface 1370 may communicatively interact with local system management and billing 1380 by communicatively interacting 1398 with switch 1390, which communicatively interacts 1396 with system management and billing 1380.

Speech engine 1330 may communicatively interact 1382 with system management and billing 1380 by communicatively interacting 1392 with switch 1390, which communicatively interacts with system management and billing 1380.

Speech engine 1330 may receive content status information from content engine 1340 by content engine 1340 interacting 1394 with switch 1390, which delivers 1392 the content status information to speech engine 1330.

Content engine 1340 communicatively interacts with network interface 1370 by content engine 1340 communicatively interacting with switch 1390 and network interface 1370 communicatively interacting with switch 1390.

Switch 1390 may support digital interfaces. Switch 1390 may include a circuit switch. The circuit switch may support Ethernet protocols. Switch 1390 may include an ATM switch. Switch 1390 may support analog interfaces. Such analog interfaces may include wavelength division multiplexing. Switch 1390 may be composed of more than one switch.

The invention may include various combinations of direct interconnections and switch networks as shown in FIGS. 23 and 24.

FIG. 25 depicts a generic block diagram of a prior art Headend 104 as shown in FIG. 3.

Uplink 138 communication includes a back channel.

This back channel includes multiple response channels from multiple user sites STBs, as shown in FIGS. 1 and 2. Receiver 1422 provides 1427 a back channel to content engine 1440.

Network interface 1470 may communicatively interacts 1476 with Headend system management and billing 1480. Headend system management and billing 1480 may include systems management and billing data relevant to the elements of the overall network managed or controlled through the Headend.

Headend system management and billing 1480 may further maintain systems management and billing data relevant to the elements of the overall network managed or controlled through the Headend.

Headend system management and billing 1480 may include a cache of systems management and billing data relevant to the elements of the overall network managed or controlled through the Headend.

System management and billing 1480 may further include interfaces to other external communications networks. Such circuitry is not the subject of this invention and is not discussed further herein.

Content status information may include a list of content items cached through the network. Content status information may further include a list of content items cached at the node. Cached content items may include Interactive Program Guide (IPG) listings for some period of time. Cached content items may include one or more video sequences provided through Video On Demand (VOD) or Pay-Per-View services.

Content engine 1440 communicatively interacts 1478 with network interface 1470. Content engine 1440 may provide at least one locally generated multi-media stream 1442 to Multiplexor engine 1460 as well as at least one multi-media stream 1444 received 1478 through network interface 1470. Content engine 1440 may modify multi-media stream 1444 received 1478 from network interface 1470 through network input 1406. Content engine 1440 may stimulate 1478 network interface 1470, altering network output 1408 from network interface 1470.

Content engine 1340 may include, but is not limited to, one or more standard components of a head-end, OTA Receivers: Over The Air Receivers and Satellite receivers and Set-Top Box Controller. A Set-Top Box Controller is the transmission equivalent of the Headend receiver. This box sends commands from the head-end to the individual user's set-top box. Those commands may include change channel, set decryption key to the following, enable the set-top box to present a pay channel.

Multiplexor engine 1460 accepts the multiple locally generated channels 1452, 1454 and 1442 as well as the locally received, and possibly modified, external stream 1444 to cre-

ate at least one merged stream **1462**. Multiplexor engine **1460** may create more than one merged stream, e.g. **1464**.

Transmitter **1424** receives at least one merged stream **1462** from multiplexor engine **1460** to generate at least one downlink stream **132** of physical transport **1200**. Transmitter **1424** may receive more than one merged stream **1464** from multiplexor engine **1460**.

FIG. **26** depicts an augmented Headend **1410** of FIG. **21** or an augmented Headend **1414** of FIG. **22** or an augmented metropolitan Headend **1410** of FIG. **21** or **22**, in accordance with the invention.

Note that there may be one transport **1200**. Transceiver **1420** couples to transport **1200** to provide uplink **1204** and downlink **1202** communications between STB's **1100** of FIG. **21**.

There may be multiple transports **1200** corresponding to wireline circuits servicing combinations of at least one of the interfaces **170**, **174** and **178**, as shown in FIGS. **1**, **2**, **21** and **22**. Transceiver **1420** couples to transport **1200** to provide uplink **1204** and downlink **1202** communications between STB's **1100** of FIGS. **21** and **22**. Note that transceiver **1420** may provide multiple uplinks **1204**. Transceiver **1420** may provide multiple downlinks **1202**.

Transceiver **1420** may include transmitter **1424** providing downlink **1202** communications to wireline physical transport **1200**. Multiple downlinks **1202** may be provided by transmitter **1424**. Alternatively, multiple downlinks **1202** may be provided by more than one transmitter **1424**.

Transceiver **1420** may include receiver **1422** providing uplink **1204** communications from wireline physical transport **1200**. Multiple uplinks **1204** may be provided by receiver **1422**. Alternatively, multiple uplinks **1204** may be provided by more than one receiver **1422**.

Wireline physical transport **1200** may further include separate uplink physical transport **1204** and downlink physical transport **1202**. Various embodiments of the invention may include multiple uplink physical transports **1204**. Various embodiments of the invention may include multiple downlink physical transports **1202**. There may be a difference in the number of uplink physical transports **1204** and the number of downlink physical transports **1202**.

Note that there may be a difference in the number of transmitters **1424** and the number of receivers **1422**.

As earlier, the discussion focuses on a single transmitter **1424** providing as many downlinks **1202** and on a single receiver **1422** providing as many uplinks **1204** as required. This is done strictly to simplify the discussion and is not meant to imply any limitation on the invention.

Uplink **1204** communication includes a back channel. This back channel includes multiple identified speech channels from multiple user sites (STBs) **1100**, as shown in FIGS. **21** and **22**. Receiver **1422** provides **1426** a back channel to speech engine **1430**. Speech engine **1430** performs at least the operations of FIG. **10**.

Speech engine **1430** further communicatively interacts **1474** with network interface **1470**. Network interface **1470** couples **1472** to other network components. Network coupling **1472** may further include a predominantly input coupling **1406** and a predominantly output coupling **1408**.

Network interface **1470** may communicatively interact **1476** with Headend system management and billing **1480**. Headend system management and billing **1480** may include systems management and billing data relevant to the elements of the overall network managed or controlled through the Headend node.

Headend system management and billing **1480** may further maintain systems management and billing data relevant to the elements of the overall network managed or controlled through the Headend node.

Headend system management and billing **1480** may include a cache of systems management and billing data relevant to the elements of the overall network managed or controlled through the Headend node.

Speech engine **1430** may communicatively interact **1482** with system management and billing **1480**. Speech engine **1430** may send **1482** system management and billing **1480** requests for user account information, including, but not limited to, credit information, authorization profiles for channel viewing, credit limits and parental safeguards. Speech engine **1430** may send **1482** system management and billing **1480** user passwords, confirmation of commitments, commands regarding authorization levels of other users, such as children within a user's household.

Speech engine **1430** may receive **1482** from system management and billing **1480** credit information, authorization profiles for channel viewing, credit limits and parental safeguards. Speech engine **1430** may receive **1482** from system management and billing **1480** confirmation of acceptance of contracts from financial engines. Acceptance of contracts from external financial engines may be received in a number of different ways, including through interactions with network interface **1470**, or other external communications networks.

System management and billing **1480** may further include interfaces to other external communications networks. Such circuitry is not the subject of this invention and is not discussed further herein.

Similarly, the mechanism of contract acceptance between system management and billing **1480** and financial engines is not the subject of this invention and is not discussed further herein.

Speech engine **1430** may receive **1438** from content engine **1440** content status information. Content status information may include a list of available services through the coupled network(s). Content status information may further include a list of services available within the node.

Content status information may include a list of content items cached through the network. Content status information may further include a list of content items cached at the node. Cached content items may include Interactive Program Guide (IPG) listings for some period of time. Cached content items may include one or more video sequences provided through Video On Demand (VOD) or Pay-Per-View services.

Content engine **1440** communicatively interacts **1478** with network interface **1470**. Content engine **1440** may provide at least one locally generated multi-media stream **1442** to Multiplexor engine **1460** as well as at least one multi-media stream **1444** received **1478** through network interface **1470**. Content engine **1440** may modify multi-media stream **1444** received **1478** from network interface **1470** through network input **1406**. Content engine **1440** may stimulate **1478** network interface **1470**, altering network output **1408** from network interface **1470**.

Speech engine **1430** may generate one or more channels of speech response content through coupling **1432** to modulator engine **1450**. Modulator engine **1450** may further provide **1434** status and reliability information to speech engine **1430**. Speech response content channels presented through coupling **1432** may be digital. Speech response content channels may be presented as bits or clusters of bits of a specific bit width.

Multiple channels may be multiplexed onto coupling **1432** by speech engine **1430**. The multiplexing mechanism onto channel **1432** may perform time division multiplexing. Modulator engine **1450** may demultiplex multiple multiplexed channels received through coupling **1432**. Modulator engine **1250** may convert one or more channels into modulated channels or modulated collections of channels then presented **1452** and **1454** to multiplexor engine **1460**.

Multiplexor engine **1460** accepts the multiple locally generated channels **1452**, **1454** and **1442** as well as the locally received, and possibly modified, external stream **1444** to create at least one merged stream **1462**. Multiplexor engine **1460** may create more than one merged stream, e.g. **1464**.

Transmitter **1424** receives at least one merged stream **1462** from multiplexor engine **1460** to generate at least one downlink stream **1202** of physical transport **1200**. Transmitter **1424** may receive more than one merged stream **1464** from multiplexor engine **1460**.

FIG. **27** depicts an alternative augmented Headend **1410** of FIG. **21** or an alternative augmented Headend **1414** of FIG. **22** or an alternative augmented metropolitan Headend **1410** of FIG. **21** or **22**, in accordance with the invention.

Receiver **1422** provides a back channel to speech engine **1430** through interactions **1428** with switch **1490** delivering **1492** the back channel to speech engine **1430**.

Speech engine **1430** communicatively interacts **1474** with network interface **1470** by the speech engine **1430** interacting **1492** with switch **1490** which interacts **1498** with network interface **1470**.

Network interface **1470** may communicatively interact with Headend system management and billing **1480** by communicatively interacting **1498** with switch **1490**, which communicatively interacts **1496** with system management and billing **1480**.

Speech engine **1430** may communicatively interact **1482** with system management and billing **1480** by communicatively interacting **1492** with switch **1490**, which communicatively interacts with system management and billing **1480**.

Speech engine **1430** may receive content status information from content engine **1440** by content engine **1440** interacting **1494** with switch **1490**, which delivers **1492** the content status information to speech engine **1430**.

Content engine **1440** communicatively interacts with network interface **1470** by content engine **1440** communicatively interacting with switch **1490** and network interface **1470** communicatively interacting with switch **1490**.

Switch **1490** may support digital interfaces. Switch **1490** may include a circuit switch. The circuit switch may support Ethernet protocols. Switch **1490** may include an ATM switch. Switch **1490** may support analog interfaces. Such analog interfaces may include wavelength division multiplexing. Switch **1490** may be composed of more than one switch.

The invention may include various combinations of direct interconnections and switch networks as shown in FIGS. **23** and **24**.

Note that a single computer may perform the operations of the speech engine as shown in FIG. **10**. The computer performs these operations as controlled by a program system including program steps residing in accessibly coupled memory.

FIG. **28A** depicts a block diagram of a speech engine **1330** as shown in FIG. **23**.

Receiver **1322** provides **1326** a back channel to speech processor computer **1520**. Speech processor computer **1520** further communicatively interacts **1374** with network interface **1370**.

Speech processor computer **1520** may communicatively interact **1382** with system management and billing **1380**. Speech processor computer **1520** may send **1382** system management and billing **1380** requests for user account information, including, but not limited to, credit information, authorization profiles for channel viewing, credit limits and parental safeguards. Speech processor computer **1520** may send **1382** system management and billing **1380** user passwords, confirmation of commitments, commands regarding authorization levels of other users, such as children within a user's household.

Speech processor computer **1520** may receive **1382** from system management and billing **1380** credit information, authorization profiles for channel viewing, credit limits and parental safeguards. Speech processor computer **1520** may receive **1382** from system management and billing **1380** confirmation of acceptance of contracts from financial engines. Acceptance of contracts from external financial engines may be received in a number of different ways, including through interactions with network interface **1370** or other external communications networks **1312**.

Speech processor computer **1520** may receive **1338** from content engine **1340** content status information. Content status information may include a list of available services through the coupled network(s). Content status information may further include a list of services available within the node.

Speech processor computer **1520** may generate one or more channels of speech response content through coupling **1332** to modulator engine **1350**. Modulator engine **1350** may further provide **1334** status and reliability information to speech processor computer **1520**. Speech response content channels presented through coupling **1332** may be digital. Speech response content channels may be presented as bits or clusters of bits of a specific bit width.

Multiple channels may be multiplexed onto coupling **1332** by speech processor computer **1520**. The multiplexing mechanism onto channel **1332** may perform time division multiplexing. Modulator engine **1350** may demultiplex multiple multiplexed channels received through coupling **1332**. Modulator engine **1250** may convert one or more demultiplexed channels into modulated channels or modulated collections of channels then presented **1352** and **1354** to multiplexor engine **1360**.

Speech processor computer **1520** may further interact **1312** with an external network. Such an interaction may involve at least one wireline physical transport layer. The wireline physical layer may support at least one or a combination of communication protocols using optical, infra-red and radio frequency regions of the electromagnetic spectrum. Network interactions **1312** may support message passing protocols, including, but not limited to, TCP-IP. Network interactions **1312** may further support communications with the Internet and World Wide Web.

Speech processor computer **1520** communicatively couples with mass storage **1540**. Mass storage **1540** may include, but is not limited to, a disk, disk farm, or RAID. Mass storage **1540** may be organized by a file management system, or by one or more database management systems, or by a combination of file management and at least one database management system.

FIG. **28B** depicts a block diagram of a speech engine **1330** as shown in FIG. **24**.

Receiver **1322** provides a back channel to speech processor computer **1520** through interactions **1328** with switch **1390** delivering **1392** the back channel to speech engine **1520**.

Speech processor computer **1520** communicatively interacts **1374** with network interface **1370** by the speech processor computer **1520** interacting **1392** with switch **1390** which interacts **1398** with network interface **1370**.

Speech processor computer **1520** may communicatively interact **1382** with system management and billing **1380** by communicatively interacting **1392** with switch **1390**, which communicatively interacts with system management and billing **1380**.

Speech processor computer **1520** may receive content status information from content engine **1340** by content engine **1340** interacting **1394** with switch **1390**, which delivers **1392** the content status information to speech processor computer **1520**.

As in FIG. **24**, switch **1390** may support digital interfaces. Switch **1390** may include a circuit switch. The circuit switch may support Ethernet protocols.

Switch **1390** may include an ATM switch. Switch **1390** may support analog interfaces. Such analog interfaces may include wavelength division multiplexing. Switch **1390** may be composed of more than one switch.

The operational discussions found in FIGS. **3**, **4**, **5** and **28A** are directly applicable to systems implementing the invention and resembling the block diagram of FIG. **28B**. They will not be presented regarding FIG. **28B**. This is done simply to clarify the disclosure and is not intended in any way to limit the scope of the claims.

The invention may include various combinations of direct interconnections and switch networks as shown in FIGS. **23** and **24**.

FIG. **29** depicts a more detailed block diagram of a speech engine **1330** containing gateway **3100** and tightly coupled server array **3200** as shown in FIG. **28A**.

Server array **3200** includes at least speech processor computer **1520** communicatively coupled with at least speech gateway **3100**.

Receiver **1322** provides **1326** a back channel to speech processor computer **1520** via speech gateway **3100**. Speech gateway **3100** may further cache speech utterances from various user sites for speech processor computer **1520**.

Speech processor computer **1520** further communicatively interact **1374** with network interface **1370** via speech network gateway **1582**.

Speech processor computer **1520** may communicatively interact **1382** with system management and billing **1380** via secure interface **1578**. Speech processor computer **1520** may send **1382** via secure interface **1578** requests for user account information, including, but not limited to, credit information, authorization profiles for channel viewing, credit limits and parental safeguards. Speech processor computer **1520** may send **1382** via secure interface **1578** user passwords, confirmation of commitments, commands regarding authorization levels of other users, such as children within a user's household.

Speech processor computer **1520** may receive **1382** via secure interface **1578** credit information, authorization profiles for channel viewing, credit limits and parental safeguards. Speech processor computer **1520** may receive **1382** via secure interface **1578** confirmation of acceptance of contracts from financial engines. Acceptance of contracts from external financial engines may be received in a number of different ways, including through interactions with network interface **1370** or other external communications networks **1312**.

Speech processor computer **1520** may receive **1338** from content engine **1340** content status information. Content status information may include a list of available services

through the coupled network(s). Content status information may further include a list of services available within the node.

Speech processor computer **1520** may generate one or more channels of speech response content through coupling **1332** to modulator engine **1350**. Modulator engine **1350** may further provide **1334** status and reliability information to speech processor computer **1520**. Speech response content channels presented through coupling **1332** may be digital. Speech response content channels may be presented as bits or clusters of bits of a specific bit width.

Multiple channels may be multiplexed onto coupling **1332** by speech processor computer **1520**. The multiplexing mechanism onto channel **1332** may perform time division multiplexing.

Speech processor computer **1520** may further interact **1312** with an external network. Such an interaction may involve at least one wireline physical transport layer, each using at least one of optical, infra-red and radio frequency regions of the electromagnetic spectrum. Network interactions **1312** may support message passing protocols, including, but not limited to, TCP-IP and may further support communications with the Internet and World Wide Web.

FIG. **30** depicts an alternative detailed block diagram of a speech engine **1330** as shown in FIG. **28A**.

Speech engine **1330** includes server array **3200**. Server array **3200** includes at least speech processor computer **1580** and speech processor computer **1590**. At least one of speech processor computer **1580** and speech processor computer **1590** communicatively couples with speech gateway **3100**.

Receiver **1322** provides **1326** a back channel to server array **3200** via speech content gateway **3100**. Speech content gateway **3100** may further cache speech utterances from various user sites for server array **3200**.

Speech content gateway **3100** may further include a computer accessibly coupled **3102** with memory **3104**. Speech content gateway **3100** may be controlled by a program system containing program steps residing in memory **3104** for at least one of the operations of FIG. **10**.

Speech processor computer **1580** and/or **1590** may communicatively interact **1382** with system management and billing **1380** via secure interface **1578**. Speech processor computer **1580** and/or **1590** may send **1382** via secure interface **1578** requests for user account information, including, but not limited to, requests for credit information, authorization profiles for channel viewing, credit limits and parental safeguards. Speech processor computer **1580** and/or **1590** may send **1382** via secure interface **1578** user passwords, confirmation of commitments, commands regarding authorization levels of other users, such as children within a user's household.

Speech processor computer **1580** and/or **1590** within server array **3200** may receive **1382** via secure interface **1578** credit information, authorization profiles for channel viewing, credit limits, parental safeguards as well as confirmation of acceptance of contracts from financial engines.

Acceptance of contracts from external financial engines may be received in a number of different ways, including speech processor computer **1580** and/or **1590** interacting through network gateway **1560** with network interface **1374** and/or other external communications networks **1312**.

Either speech processor computer **1580** or **1590** within server array **3200** may receive **1338** from content engine **1340** content status information.

Either speech processor computer **1580** or **1590** within server array **3200** may generate one or more channels of speech response content through modulator interface **1570**

coupling 1332 to modulator engine 1350. Modulator engine 1350 may provide 1334 status and reliability information through modulator interface 1570 to at least one of speech processor computer 1580 and 1590 within server array 3200. Speech response content channels presented through modulator interface 1570 to coupling 1332 may be digital, presented as bits or clusters of bits of a specific bit width.

Multiple channels may be multiplexed through modulator interface 1570 onto coupling 1332 by server array 3200. The multiplexing mechanism onto channel 1332 may perform time division multiplexing. The multiplexing mechanism may be performed by modulator interface 1570.

At least one speech processor computer 1580 and 1590 within server array 3200 may communicatively interact 1374 with network interface 1370 via network gateway 1560.

At least one speech processor computer 1580 and 1590 within server array 3200 may interact 1312 with an external network involving at least one wireline physical transport layer. The wireline physical layer may support one or a combination of communication protocols using optical, infra-red and radio frequency regions of the electromagnetic spectrum. Network interactions 1312 may support message passing protocols, including but not limited to, TCP-IP, possibly including communications with the Internet and World Wide Web.

Speech processor computer 1580 and/or 1590 communicatively couples with mass storage 1540. Mass storage 1540 may include, but is not limited to, a disk, disk farm, or RAID organized by a file management system and/or by one or more database management systems.

Speech processor computer 1580 and/or Speech processor computer 1590 may perform at least some of the operations of FIG. 10 and be directed by program system 2000 containing program steps residing in memory 1586 and/or 1596 accessibly coupled 1585 and/or 1595 to the respective speech processor computer.

Speech processor computer 1580 may perform the same operations of FIG. 10 as speech processor computer 1590, possibly processing speech from different user sites.

Speech processor computer 1580 may perform different operations of FIG. 10 than speech processor computer 1590. By way of example, speech processor computer 1580 may perform receiving the back channel 2004 and partitioning the back channel into the multiple received identified voice channels 2012. Speech processor computer 1590 may perform processing the multiple received identified voice channels to create multiple identified speech contents 2022 and responding to the multiple identified speech contents 2032.

Speech engine 1330 may be controlled by a program system 2000 implementing the operations of FIG. 10 distributed as program steps residing in at least one of the memories 3104, 1586 and 1596. Each of the operations 2004, 2012, 2022, and 2032 may be implemented as program steps residing in memories 3104, 1586 and 1596.

By way of example, speech content gateway 3100 receives the back channel 2004. Speech processor computer 1580 partitions the back channel into the multiple received identified voice channels 2012. Speech processor computer 1590 processes the multiple received identified voice channels to create multiple identified speech contents 2022 and responds to the multiple identified speech contents 2032.

By way of an alternative example, speech content gateway 3100 receives the back channel 2004 and partitions the back channel into the multiple received identified voice channels 2012. Speech processor computers 1580 and 1590 each process the multiple received identified voice channels to create multiple identified speech contents 2022 and respond to the multiple identified speech contents 2032. Speech processor

computers 1580 and 1590 perform these operations upon different identified voice channels based upon allocation decisions performed by speech content gateway 3100. To process a speech sample by the allocated speech processor computer into speech content, the processor computer must first contain in its local memory a copy of the grammar definition associated with the user site.

FIG. 31 depicts a second alternative detailed block diagram of a speech engine 1430.

Server array 3200 at least includes speech processor computer networks 1640 and 1650. At least one computer contained in speech processor computer network 1640 and/or 1650 communicatively couples with speech gateway 3100.

At least one computer contained in speech processor computer network 1640 and/or 1650 performs at least some of the operations of FIG. 10 and may be directed by program system 2000 containing program steps residing in memory accessibly coupled to that computer.

Speech processor computer network 1640 may perform different operations of FIG. 10 than speech processor computer network 1650. By way of example, speech processor computer network 1640 processes the multiple received identified voice channels to create multiple identified speech contents 2022. Speech processor computer network 1650 responds to the multiple identified speech contents 2032.

Speech engine 1430 may be controlled by a program system implementing FIG. 10, distributed as program steps residing in memories accessibly coupled to at least one computer in one or more of the following: speech content gateway 3100, speech processor computer network 1640 and/or speech processor computer network 1650. Each of the operations 2004, 2012, 2022, and 2032 may be implemented as program steps residing in at least one of these memories.

By way of example, one or more computers in the speech content gateway 3100 receive the back channel 2004 and partition the back channel into the multiple received identified voice channels 2012. Computers in speech processor computer networks 1640 and/or 1650 process the multiple received identified voice channels to create multiple identified speech contents 2022 and respond to the multiple identified speech contents 2032. Computers in the speech processor computer networks perform these operations upon identified voice channels based upon allocation decisions performed by speech content gateway 3100.

At least one computer in speech processor computer network 1640 and/or 1650 communicatively interacts 1482 with system management and billing 1480 via secure interface 1630. That computer(s) may send 1382 via secure interface 1630 requests for user account information as well as commands regarding authorization levels of other users, such as children within a user's household. The user account information may include, but is not limited to, credit information, authorization profiles for channel viewing, credit limits, parental safeguards, user passwords, and confirmation of commitments. A computer in speech processor computer network 1640 and/or 1650 may receive 1482 via secure interface 1630 credit information, authorization profiles for channel viewing, credit limits, parental safeguards, as well as confirmation of acceptance of contracts from financial engines.

Acceptance of contracts from external financial engines may be received in a number of different ways, including through at least one computer in speech processor computer network 1640 and/or 1650 interacting through network gateway 1560 with network interface 1474 or with other external communications networks 1412.

At least one computer in speech processor computer network **1640** and/or **1650** may receive **1438** from content engine **1440** content status information.

At least one computer in speech processor computer network **1640** and/or **1650** generates one or more channels of speech response content through modulator interface **1620** coupling **1432** to modulator engine **1450**. Modulator engine **1450** may provide **1434** status and reliability information through modulator interface **1620** to at least one computer in speech processor computer network **1640** and/or **1650**.

At least one computer in speech processor computer network **1640** and/or **1650** communicatively interact **1474** with network interface **1470** via network gateway **1610**. At least one computer in speech processor computer network **1640** and/or **1650** may interact **1412** with an external network.

Note that AgileTV™ Voice Processing Unit (AVPU) boxes **3000** may be included in speech engine **1430** and/or in speech processor computer network **1640** and/or **1650**.

FIG. **32A** depicts a block diagram of modulator engine **1350** of FIGS. **23** and **24**, and modulator engine **1450** of FIGS. **26** and **27**.

Speech engine **1330** or **1450** generates one or more channels of speech response content through coupling **1332** or **1432** to modulator engine **1350** or **1450**, respectively. For the sake of simplifying the discussion, from the discussion of FIG. **32A** focuses on its application in FIGS. **23** and **24**. This is done strictly to clarify the discussion and is not meant to limit the scope of the claims.

Modulator engine **1350** may provide **1334** status and reliability information to speech engine **1330**. Speech response content channels presented through coupling **1332** may be digital, presented as bits or clusters of bits.

Multiple channels are multiplexed onto coupling **1332** by speech engine **1330**. The multiplexing mechanism onto channel **1332** may perform time division multiplexing. Modulator engine **1350** demultiplexes the multiple multiplexed channels received through coupling **1332**, converting one or more demultiplexed channels into modulated channels or modulated collections of channels presented **1352** and **1354** to multiplexor engine **1360**.

Note that the invention may target specific layers of a residential broadband network serving at least cable television needs for a user community.

Modulator engine **1350** may satisfy specific requirements for a wireline node serving a Hybrid Fiber/Coaxial HFCOax node. Modulator engine **1450** may satisfy specific requirements for a wireline node serving a Headend or serving a metropolitan Headend.

Modulator engine **1350** may include modulator input and control circuit **1700** receiving one or more channels of speech response content through coupling **1332** and possibly providing **1334** status and reliability information to speech engine **1330**.

Modulator input and control circuit **1700** may perform operations as disclosed in application Ser. No. 09/661,486, entitled N-way Demultiplexor, filed 14 Sep. 2000, and incorporated herein by reference.

Modulator input and control circuit **1700** generates at least one channel code stream **1702** provided to modulator circuit **1706**. Modulator circuit **1706** uses the channel code stream **1702** to generate an intermediate frequency channel stream **1712** presented to frequency conversion circuit **1710**.

By way of example, FIG. **32A** depicts modulator input and control circuit **1700** generating a second channel code stream **1704** presented to modulator circuit **1706**. Modulator circuit **1706** uses this second provided channel code stream **1704** to

generate a corresponding intermediate frequency channel stream **1714** presented to frequency conversion circuit **1710**.

Frequency conversion circuit **1710** receives at least one intermediate frequency channel stream **1712** and generates a frequency channel output stream **1352** presented to multiplexor engine **1360**, as shown in FIGS. **23** and **24**. Similarly in FIGS. **26** and **27**, frequency conversion circuit **1710** receives at least one presented intermediate frequency channel stream **1712** and generates a frequency channel output stream **1452** presented to multiplexor engine **1460**.

Frequency conversion circuit **1710** may receive a second presented intermediate frequency channel stream **1714** and generate a second frequency channel output stream **1354** presented to multiplexor engine **1360**, as shown in FIGS. **23** and **24**. Similarly in FIGS. **26** and **27**, frequency conversion circuit **1710** may receive a second presented intermediate frequency channel stream **1714** and generate a second frequency channel output stream **1454** presented to multiplexor engine **1460**.

Frequency conversion circuit **1710** may provide feedback **1708** to modulator input and control **1700**, which may be part or all of the status and reliability information **1334** provided to speech engine **1330**.

Alternatively feedback **1708** may be status and reliability information **1334** directly provided to speech engine **1330**, rather than through modulator input and control **1700**. This alternative has not been diagramed to simplify the discussion, but is not intended to limit the scope of the claims.

Modulator circuit **1706** generates intermediate frequency channel stream **1712** using provided channel code stream **1702**.

Intermediate frequency channel stream **1712** may include presentation of a sinusoidal waveform represented as a digital stream, or as an analog stream. Presented channel code stream **1702** may include phase control information and/or include frequency control information include amplitude control information. The frequency control information may further regard an intermediate frequency carrier.

Control information may be presented in a separate channel stream.

The intermediate frequency channel stream generation mechanism may support coherent detection and use of the intermediate frequency carrier in a downstream user site receiver. The intermediate frequency channel stream generation mechanism may support modulation mechanisms, including at least, Phase Shift Keying (PSK), Frequency Shift Keying (FSK), Amplitude Shift Keying (ASK), Continuous Phase Modulation (CPM), hybrid combinations, Offset Quadrature PSK (OQPSK), Minimum Shift Keying (MSK), Quadrature Amplitude Modulation (QAM), Coded Orthogonal Frequency Division Multiplexing (COFDM) and Vestigial Side Band (VSB), in particular 8 level VSB (8-VSB).

The intermediate frequency channel stream generation mechanism may support noncoherent detection in downstream user site receivers of the intermediate frequency carrier and/or detection mechanisms not requiring a carrier reference. The intermediate frequency channel stream generation mechanism may support modulation mechanisms, including at least, Differential Phase Shift Keying (DPSK), Frequency Shift Keying (FSK), Amplitude Shift Keying (ASK), and certain hybrid schemes of these mechanisms not requiring a carrier reference.

Intermediate frequency channel stream **1712** may include presentation of a wavelet function represented as a digital stream or as an analog stream, which may further include dilation control information and/or temporal offset control information and/or amplitude control information.

Intermediate frequency channel stream **1712** may include presentations of both sinusoidal and wavelet functions.

The invention may include multiple frequency conversion circuitry instances **1710** and multiple modulator circuitry instances **1706** in modulator engine **1350** with possibly different numbers of instances of frequency conversion circuitry **1710** and of modulator circuitry **1706**.

The invention may include multiple frequency conversion circuitry instances **1710** and modulator circuitry instances **1706** in modulator engine **1450** with possibly different numbers of instances of frequency conversion circuitry **1710** and of modulator circuitry **1706**.

Demultiplexing a 2.5 gigabit per second bit stream leaving the speech engine **1330** or **1430** may be performed by a preprocessor CPU creating two 16 bit streams. The preprocessor CPU may be part or all of a Broadcom BCM 12500 integrated circuit converting the Ethernet links, with approximately three gigabit bits per second, into two 16 bit 150-160 MHz digital streams.

Modulator input and control **1700** may include two preprocessor CPUs parsing the dual 16 bit interface streams into 96 channels of data, or alternatively, include this function performed by hardware.

Modulator circuitry **1706** may include multiple modulators and may include multiple instances of multiple channel modulators, which may implement an octal QAM (Quadrature Amplitude Modulator).

Clusters of 8 channels of data may be sent to each Octal QAM for conversion to an intermediate frequency signal presented to an associated multi-channel frequency upconverter **1710** to generate 8 discrete channels sharing the same output frequency. Each channel output is supplied to one or more nodes to the exclusion of other nodes.

One system wide channel may be devoted to the audio-video feedback of the speech recognition system, of which there are 96 instances of that single channel which are then multiplexed into 96 different fiber transmission lines, each with a unique speech recognition related television channel.

This is exploited much more efficiently than any known prior art. Because all these frequency up conversions target the same frequency band, the frequency conversion mechanism for multiple channels can share several critical components, such as local reference oscillators, which must otherwise be instantiated for each channel separately.

By performing the frequency conversion mechanism upon blocks of channels, an optimization is available in neighborhoods with extensive Internet usage. In such situations, a neighborhood may be allocated a second TV channel for Internet presentation. By reconfiguring one block of frequency converters to that second channel, up to 8 neighborhoods could receive a second television channel.

Configuring these frequency conversion mechanisms as a frequency agile block changes the channel frequency bands of all the channels of the frequency agile block simultaneously.

The cost savings are dramatic. Regarding reliability issues: there are far fewer parts, a simpler design and less heat, all tending to increase reliability.

There may be a hierarchy of multiplexors operating within content engine **1340** or **1440**. System wide channels are multiplexed in the one set of multiplexors within the content engine **1340** or **1440**. Node specific channels may be multiplexed in a second set of multiplexors within the content engine **1340** or **1440**, which may be within a multiplexor engine such as **1460**.

In a cable TV system using a VOD server, 8 to 16 channels per node are often used for delivery of video on demand.

These node specific channels are multiplexed in a second set of multiplexors within the content engine **1340** or **1440** and may be further multiplexed in multiplexor engine **1460**.

Each NTSC television channel has approximately 6 MHz of bandwidth, which through the use of the QAM64 modulators, delivers 27 M bps. The 2.5 Gigabit per second being delivered supports about 4500 Internet users.

FIG. **32B** depicts a block diagram of a local oscillator as is known in the art for use as a local oscillator depicted in FIGS. **33** and **34** as LO1 **1760**, LO1 **1860**, LO2 **1770** or LO2 **1870**.

The first Local Oscillator (LO1) **1760** or **1860** may operate at a fixed frequency **1762** in the range from 900 MHz to 1100 MHz. A second Local Oscillator (LO2) **1770** or **1870** may operate **1772** in a variable range from 1 to 2 GHz, depending on the desired output frequency range.

The Local Oscillators each comprise a voltage controlled oscillator, a frequency synthesizer and a loop filter. The frequency synthesizer requires a frequency reference. The output of the voltage controlled oscillator is amplified to create local oscillator output, which in various instances is labeled **1762**, **1772**, **1862** and **1872**.

The frequency synthesizers are required to meet the demanding phase noise, frequency stability and frequency settability requirements of a modern digital cable television network. A substantial portion of the circuitry in the typical Upconverter **1710** is dedicated to the synthesizers of the local oscillators **1760**, **1770**, **1860** and **1870**.

Specific applications in cable television require a common frequency but with multiple RF outputs such as broadcasting node specific video content or data over multiple nodes using a fixed channel frequency the current practice is to rely on individual RF modulators/Upconverters **1710** per node. Using individual modulator/Upconverters consumes a large amount of equipment rack space which, for many nodes, including most CATV headends, is a rare commodity.

FIG. **33** depicts a detail block diagram of frequency conversion circuitry **1710** of FIG. **32A**.

A substantial portion of the circuitry in the typical Upconverter is dedicated to the synthesizers of the local oscillators **1860** and **1870**.

The invention includes methods implementing a Common Carrier, Multiple Output RF Upconverter **1710**, which include at least one of two methods by which to distribute Local Oscillator signals. The distribution methods provide a local oscillator signal from one local oscillator to multiple upconverter sections simultaneously, eliminating the frequency synthesizers and Voltage Controlled Oscillators typically required for each individual upconverter section. Eliminating these frequency synthesizers and local oscillators substantially reduces the board space and component count normally required for these functions.

By providing a distributed LO, only two LO synthesizers and VCO's are required per board where a board might support anywhere from 2 to 12 or more, upconverter sections.

FIG. **34** depicts an alternative detail block diagram of frequency conversion circuitry **1710** of FIG. **32A**.

For the purposes of simplifying the discussion, the two methods of distributing local oscillator signals will be discussed as associated with the first and second local oscillator, respectively. This is done strictly to simplify the discussion and is not meant to limit the scope of the claims. The first distribution mechanism may be used to distribute the second local oscillator signal(s). The second distribution mechanism may be used to distribute the first local oscillator signal(s).

The first mechanism **1764** distributes the local oscillator signal using hybrid splitters **1766** where the RF output of each tap **1724** and **1824** is fed to the respective frequency conversion sections.

A second mechanism **1774** distributing local oscillator signals uses a distributive signal splitting scheme comprised of a series of hybrid directional couplers equally spaced along a signal distribution path. The Local Oscillator signal from the tap of each coupler is then fed to the LO input **1744** and **1844** of each upconverter section. At the 950 to 1100 MHz LO frequencies mentioned above, a directional coupler may be implemented using circuit board traces **1776** in specific geometric pattern, eliminating the need for additional physical components.

Both methods require the LO signals from the splitters or the directional couplers undergo amplification immediately after splitting using a common Monolithic Microwave Integrated Circuit (MMIC) and/or may be incorporated into mixers **1720**, **1740**, **1820** and **1840**.

The Local Oscillator signal levels fed to the mixers are adjusted through the use of resistive attenuators to accommodate the LO drive level specified by the mixer manufacturer. For passive type mixers, the LO drive levels range from +13 dBm to +17 dBm. For active mixers such as a Gilbert Cell based devices, the LO drive levels vary widely, according to the configuration of the mixer. Many Gilbert Cell type mixers incorporate a LO amplifier, thereby requiring very low external LO drive levels, typically in the range from -10 dBm to +2 dBm.

The Common Carrier, Multiple Output type upconverter differs from the conventional CATV upconverter in that typically, conventional Upconverters are set up to output a separate frequency for each upconverter unit. In contrast, The Common Carrier, Multiple Output Upconverter outputs the same frequency for each upconverter unit.

The Intermediate Frequency (IF) inputs **1712** and **1724** to the Common Carrier, Multiple Output Upconverter may be either a 44 MHz or a 43.75 MHz (Center Frequency) Intermediate Frequency. The bandwidth of the IF is typically 6 MHz for U.S. applications and 7 to 8 MHz for international applications. The 55 MHz Low Pass Filters **1716** and **1816** serve two functions. First, they remove any second or third harmonics generated in the amplifier chain or D/A converter as in the case of QAM modulation in **1706**. Second, they serve as de-glitching filters for applications that use a D/A converter to generate the 44 MHz IF such as a QAM modulator **1706**.

The filtered 44 MHz IF **1718** and **1818** at the output of the 55 MHz filter **1716** and **1816** is fed to the RF input of the First Mixer **1720** and **1820** where it is mixed with the first Local Oscillator **1760**. By way of example, assume the frequency of the First Local Oscillator **1760** is 903 MHz. The output **1722** and **1822** of First Mixer **1720** and **1820** contain an upper and lower sideband around this Local Oscillator frequency. These sidebands, located at 44 MHz above and 44 MHz below the 903 MHz Local Oscillator frequency, are amplified and fed to the 947 MHz bandpass filter BPF1 **1730** and **1830**. The 947 MHz bandpass filter **1730** and **1830** passes the 903+44 MHz (947 MHz) upper sideband and rejects the 903-44 MHz (859 MHz) lower sideband.

The filtered output **1732** and **1832** from 947 MHz filter **1730** and **1830** is fed into the RF input of second mixer **1740** and **1840** where it is mixed with the Local Oscillator **1770**. The second Local Oscillator **1770** includes a wide bandwidth VCO controlled by a frequency synthesizer. The Second Local Oscillator **1770** may operate from 1.0 GHz to a little over 1.8 GHz with a frequency step size of 250 KHz. Output

1742 and **1842** from the second mixer **1740** and **1840** contains several frequency products, including the upper and lower sidebands.

The upper sideband is formed by adding 947 MHz to the frequency of the Second Local Oscillator **1770**. If the frequency of the Second Local Oscillator **1770** is set to 1000 MHz, then the frequency of the upper sideband coming from the Second Mixer **1750** and **1850** is 947 MHz+Frequency of the Second Local Oscillator **1770** (1000 MHz) or 1947 MHz.

This sideband, which is unwanted, may be filtered out by the 950 MHz Lowpass filter **1750** and **1850** and is not seen at the RF output **1452** and **1454** of the frequency conversion circuitry. The frequency of the lower sideband, which is desired, is determined by the frequency of the second LO (1000 MHz)-947 MHz producing an output frequency of 53 MHz, which easily passes through the 950 MHz Lowpass filter.

If the frequency of the Second Local Oscillator **1770** was increased to **1807** MHz, then the lower sideband from the second mixer **1740** and **1840** would be 860 MHz, still able to pass through the 950 MHz Lowpass output filter **1750** and **1850**. The outputs **1752** and **1852** from the 950 MHz Lowpass filter **1750** and **1850** are amplified in amplifier detector **1760** and **1860** to obtain the desired output level and sent **1452** and **1454** to the output connector. The amplifier detector may further include tapping off a small portion of the output power, using a directional coupler, to facilitate power measurement **1762** and **1862**.

The Common Carrier, Multiple Output method differs from the conventional upconverter in at least the following ways. In the Common Carrier system, a single first Local Oscillator and second Local Oscillator drive each upconverter section in a multiple upconverter system. This is accomplished by splitting the Local Oscillator signal into as many lines as needed to drive the mixer in each section. After splitting the LO signal N times, the LO power is reduced and requires amplification to bring the level up for the respective mixer. By splitting both first and second Local Oscillator signals in this manner, the number of upconverter sections for a given board size can be increased dramatically.

Splitting the Local Oscillator can also be achieved using directional couplers. To maintain essentially consistent LO power along the distribution path, the directional coupler method uses couplers with varying tap values. Couplers closest to the VCO's have the highest tap values (Highest tap attenuation) and the couplers closest to the end have the lowest tap values.

The operations of the vertical chains of mixers and filters are essentially the same as described in FIG. **33**.

In the first frequency conversion section of upconverter **1710** of both FIGS. **33** and **34**, the second Local Oscillator (LO2) **1770** may comprise a wide bandwidth Voltage Controlled Oscillator, providing the frequency setting agility to span the 50 to 860 MHz frequency range mentioned above. Both Local Oscillators **1760** and **1770** may require high stability frequency synthesizers to meet phase noise, frequency stability and frequency settability requirements of a modern digital cable television network, by way of example.

Consider the second frequency conversion section of FIG. **34**. Received intermediate frequency channel stream **1714** may be filtered **1816** to present a filtered intermediate frequency signal **1818** to Mixer **1820**.

Unlike FIG. **33**, there is no first Local Oscillator (LO1) **1860** in the second frequency conversion section typically operates at a fixed frequency **1862** in the range from 900 MHz to 1100 MHz.

Unlike FIG. 33, there is no second Local Oscillator (LO2) 1870 operates 1872 in the range from 1 to 2 GHz, depending on the desired output frequency range.

Substantial circuitry of this Upconverter section is released from supporting the local oscillators 1860 and 1870, of FIG. 33.

FIG. 35 depicts a detailed diagram of speech engine 1330 as shown in FIG. 23 or speech engine 1430 as shown in FIG. 27 containing two plex communications grids with dual, redundant gateways.

The numbering scheme is consistent with plex.cpp, an appendix to application Ser. No. 09/679,115, entitled "System and Method of a Multi-dimensional Plex Communication Network", filed 14 Oct. 2000, which is incorporated by reference herein.

ROM and mass storage is coupled to CPU 8.0, which is associated with node 0.0 of the first plex network. CPU 8.0 is reserved for certain control and security activities, such as maintaining the mass storage system and its interface, as well as initializing the rest of the plex communication grid to which it is coupled. Mass storage may include RAID mass storage systems.

Note that CPU 8.0 is coupled with both CPU1 0.0 and CPU2 0.1. This coupling may be achieved by various mechanisms, including but not limited to, a bridge circuit interface to a bus tightly coupling CPU1 and CPU2, implementing a bus standard such as LDT or PCI.

Similar couplings are shown for the following: CPU 8.1 coupled with CPU1 1.2 and CPU2 1.3. CPU 8.2 coupled with CPU1 2.4 and CPU2 2.5. CPU 8.3 coupled with CPU1 3.6 and CPU2 3.7. CPU 8.4 coupled with CPU1 4.0 and CPU2 4.1. CPU 8.5 coupled with CPU1 5.2 and CPU2 5.3. CPU 8.6 coupled with CPU1 6.4 and CPU2 6.5. CPU 8.7 coupled with CPU1 7.6 and CPU2 7.7.

ROM and mass storage are redundantly coupled to CPU 8.4, associated with the second plex network. This removes the possibility of a failure in the coupling between either the ROM or mass storage causing systemic failure in the speech engine as a whole. Software running on CPU 8.0 and CPU 8.4 may further support fail-over in the event of a failure of either CPU.

CPUs 8.0 and 8.4 act as dual, redundant secure interface gateways.

The control processors of the AgileTV™ engines may be treated differently by the message routing algorithms: No messages may be routed through the control processors, CPU 8.0 and 8.4, headed for a different destination. The CPU 8.0 and 8.4 IO lines may support internal management functions within the node of the cable network, specifically management and billing. This is advantageous for security, making it harder for hacker attacks to penetrate to the management and billing communications, since such attacks will not be able to directly communicate with CPU 8.0 and 8.4 or their IO lines.

Alternatively, special classes of communications may route through the control processor with defined protocols. Other types of communications may transit the node to which the control processor belongs, but may not terminate at the control processor. While it is common for large-scale networks to be partitioned, this partitioning approach is novel, providing very well characterized data paths for both management and billing communications.

It is advantageous that the control processor owns the disk resources, so that sensitive information such as credit card information does not go through less secure components of the plex network. Sensitive information goes directly from the disk resource through the control processor to the billing application.

Security may be heightened by use of at least one encryption standard including the AES algorithm recently proposed by the U.S. government.

Input processors (8.1 and 8.5) perform the following: receiving incoming voice packets; buffering the received voice packets; detecting last packet of the received packet sequence to create a complete packet-sequence; and translating the received packet sequence to create a complete audio utterance.

The content gateway includes processors 8.1 and/or 8.5. After registering the application with the AgileTV™ engine, static menu content and dynamic content are provided to the AgileTV™ engine. A speech processor within the AgileTV™ engine sends messages to an application server within the content engine through the content gateway, indicating the current user location in the menu structure and the requested user actions. This triggers events in a real-time event driven program operating system executing within the application server.

CPUs 8.1 and 8.5 may also run a job assignment manager. The job assignment manager may further behave much like a finite state machine.

The IO and control CPUs, 8.1 to 8.7, may be seen as separate from the plex array of processors, or as components of specialized plex-nodes within the plex. The invention may include placing control and IO CPUs as a row of processing resources arranged on a diagonal of the array. The array may be square. Boot ROMs, RAID interfaces, additional communication and image processing capabilities may be additionally coupled to one or more of the IO and control CPUs.

A service modem may connect to a line outside the building of a node or head-end. Each installation may have this modem as a final backup communication channel to a remote service center. CPUs 8.0 and 8.4 may also have the dual modems on a telephone line connected to a remote service center.

CPUs 8.1 and 8.5 are input CPUs communicating the head-end receivers, local content servers such as VOD servers and IPG servers.

CPUs 8.2 and 8.6 are Internet interface processors providing firewall capability.

CPUs 8.3 and 8.7 drive the AgileTV™ modulator system 1350 or 1450 as shown in FIGS. 23, 24, 26 and 27.

External network interfaces 1312 and 1412 may include External OC-48 (2.5 Gigabit) and/or Gigabit Ethernet Internet lines. This is a central linkage to the Internet supporting 100M bit Ethernet or other communications protocol.

AgileTV™ engine 3000, 1330, and 1430 may include two planes of processors, connected by tunnels, each processor plane containing a row of processors coupled by the tunnels and positioned about the diagonal of each processor plane. A diagonal as used herein refers to a collection of locations within an array of at least two dimensions which collective contain nodes coupled to every pencil in every orthogonal pencil ###

Carrier class reliability of 99.999% is the baseline reliability for the plex communications networks. Simulation analyses by one of the inventors confirm that the redundancy inherent in multiple communication pencils intersecting at a plex-node provides significant fault tolerance. These simulations, using the plex.cpp program, indicate that for up to 25 system element failures, there were no message routing failures for 42 out of 43 experiments. The independent power supplies driving dual, plex planes further support these reliability objectives, since if one power supply fails, only half of the system fails. The other half of the system continues to perform, though performance is reduced.

A scaling methodology including another reliability mechanism is desirable. It is achieved at no appreciable increase in the usual systems overhead issues, latency, bandwidth, creating communication bottlenecks or adding significant additional computational loads to the network node components. Another IO processor is added for inter-engine plexing to couple multiple plex network hierarchies by the following method: Pick a plex-node, add an inter-processor communication interface internal to the plex-node and an another IO processor coupled to the inter-processor communications interface. The inter-processor communications interface may support a bus, which may be an LDT-compliant bus.

Putting two of these IO processors into the network shown in FIG. 35 supports another 6 gigabit Ethernet fibers. This supports a 4 by 4 plex of AgileTV™ engines or speech engines. Plex-nodes of this plex network would each contain an AgileTV™ engine or speech engine, containing two planes of 4 by 4 plex networks of plex-nodes each having at least two CPU's. Each CPU may contain at least dual instruction processors.

Such a system supports extremely large computing requirements, such as quantum mechanical modeling of long chain hydrocarbons, or a video server for a population such as a district of a city, e.g. Brooklyn.

The 4 by 4 plex of AgileTV™ speech engines readily fits into an 8 ft (2.6 meter) by 10 ft (3.3 meter) closet by 8 foot (2.6 meter) ceiling. The system is estimated to handle speech recognition for 560,000 cable subscribers with more than 30,000 users talking, with 20-30 gigabits bandwidth exchanged for the user community being served by such cable television systems. The system would exceed the raw compute performance of ASCI White, the world's fastest super-computer installed at Lawrence Livermore Laboratories in the year 2000.

The AgileTV™ engine provides MPEG throttling techniques enabling support of more users than would otherwise be possible without such intelligent bandwidth management.

The AgileTV™ engine further supports designating a specific subset of plex-nodes, and coupling each plex-node of the subset to at least one additional processor. This provides communication to additional communication pencils connecting to other systems components, which may be additional plex communication networks of processor plex-nodes and may also enhance the security of multiple applications through partitioning.

Communication pencils intersecting at a plex-node provide a hierarchical connection methodology supporting arbitrarily large collections of concurrent computing resources. The communication delay to traverse such a system may grow on the order of the logarithm of the number of computing resource plex-nodes interconnected by these communication pencils.

The methodology using these innovations provides a remarkably large amount of computing resources coupling to almost any communications protocol.

The application of this methodology to cable television networks, with extremely limited upstream communication bandwidth, enables voice recognition over cable television, in turn enabling a breakthrough in user friendliness unattainable in the home entertainment environment today.

The further application of this methodology supporting user site addressing and the identification of user voices associated with the user site aids the responsiveness of such systems.

An internet browser may execute on a processor in the AgileTV™ engine, decomposing the browser view into pixel

frames, which are processed into a MPEG stream, and sent to the frequency up converters, etc.

Consider voice actuated interactive game playing. Large motion video sequences may be placed on a game server. The playing of the appropriate motion video sequences may be controlled by voice commands using the game server as a local VOD server to the head-end node, communicating through a sufficiently high-speed and responsive communication mechanism, which could be the Internet.

Interactive gambling is supported across cable television networks.

Interactive shopping, based upon shopping content placed on a VOD server and activated through the speech recognition responses of the AgileTV™ engine, is supported.

Interactive auctioning is supported across cable television networks.

Interactive voice communications applications are supported across cable television networks.

The preceding embodiments of the invention have been provided by way of example and are not meant to constrain the scope of the following claims.

The invention claimed is:

1. A method [of using a back channel containing a multiplicity of speech channels from a multiplicity of user devices presented to a speech recognition system in a network supporting content delivery] *for speech directed information delivery*, comprising [the steps of]:

[partitioning a received back channel containing a multiplicity of speech channels from a multiplicity of user devices into a multiplicity of received identified speech channels;

processing said multiplicity of received identified speech channels to create recognized speech for each of said received identified speech channels; and

transmitting a unique response to each of said user devices, based upon said recognized speech.]

receiving speech information at a first device, wherein said first device is a wireless device;

transferring said speech information from said first wireless device via a first network path to a speech recognition engine; and

at said speech recognition engine, recognizing said speech information and effecting information delivery to a second device via a second network path.

2. The method of claim 1, [further comprising at least one of the steps of:

determining a user site associated with a user device from said received identified speech channel;

determining said associated user site from said recognized speech;

determining said associated user site from said recognized speech and a speaker identification library;

determining said associated user site from said recognized speech and a speech recognition library; and

determining said associated user site from an identification within said speech channel] *wherein said first network path and said second network path are different paths.*

3. The method of claim 1, [further comprising the steps of: assessing said response identified as to said user device to create a financial consequence; and

billing a user associated with said user device based upon said financial consequence] *wherein said first device and said second device paths are different devices.*

4. The method of claim 1, [further comprising the steps of: assessing said response to create a financial consequence identified with said user site;

communicating said financial consequence to said user;

51

said user confirming said communicated financial consequence to create a financial commitment; and billing said user based upon said financial commitment] *wherein said speech information comprises video search information; and wherein said information delivery comprises video information.*

5. The method of claim [2], further comprising of the steps of:

fetching a user profile list based upon said user device, said user profile list containing at least one user profile; and identifying said user based upon said recognized speech and based upon said user profile list] *1, wherein said speech information transfer comprises transferring said speech information in either of a partially recognized state or an unrecognized state.*

6. The method of claim 1, wherein said [processing step comprising of the step of:

responding to said recognized speech identified as to said user device based upon natural language to create a response uniquely identified with said user device] *wireless device is used for input and output for control purposes, wherein said information delivery is to said second device which comprises a television and STB.*

7. [A method for controlling a speech recognition system coupled to a network.] *The method of claim 1, further comprising at least one of the steps of:*

[processing a multiplicity of received identified speech channels to create a multiplicity of recognized speech; responding to said recognized speech to create a recognized speech response that is unique to each of said multiplicity of recognized speech; and

providing said speech recognition system at a back channel accessible by a multiplicity of user devices coupled to said network]

determining a user site associated with a user of said first device;

determining said associated user site from said recognized speech;

determining said associated user site from said recognized speech and a speaker identification library;

determining said associated user site from said recognized speech and a speech recognition library; and

determining said associated user site from an identification within said speech channel.

8. The method of claim [7] 1, further comprising [any of] the steps of:

[determining a user associated with user device from a received] *assessing a response identified [speech channel;*

determining said user associated with said user device from said recognized speech;

determining said user associated with said user device from said recognized speech and a speaker identification library;

determining said user associated with said user device from said recognized speech and a speech recognition library; and

determining said user associated with said user device from an identification within a speech channel] as to a user device comprising any of said first device and said second device to create a financial consequence; and

billing a user associated with said user device based upon said financial consequence.

9. The method of claim [7] 1, further comprising the steps of:

assessing [said] *a response to create a financial consequence identified with a user [associated with a user device to create a] site; communicating said financial consequence to said user;*

52

said user confirming said communicated financial consequence to create a financial commitment; and billing said user based upon said financial [consequence] commitment.

10. The method of claim [7] 1, further comprising of the steps of:

fetching a user profile list based upon said [user] *first device, said user profile list containing at least one user profile; and*

identifying said user based upon recognized speech and based upon said user profile list.

11. [An apparatus for speech recognition in a network] *The method of claim 1, further comprising the steps of providing:*

[a speech recognition system coupled to said network for receiving a back channel from a multiplicity of user devices;

a back channel receiver for receiving said back channel;

a speech channel partitioner for partitioning said received back channel into a multiplicity of received identified speech channels;

a processor for processing said multiplicity of said received identified speech channels to create] *responding to recognized speech [for each of said received] identified [speech channels; and*

responding] *as to said [recognized speech] first device based upon natural language to create a [unique] response [for transmission to each of] uniquely identified with said user device[s].*

12. [The apparatus of claim 11, said processing] *A method for speech directed information delivery comprising [means for]:*

[determining a user associated with a user device from said received identified speech channel;

determining said associated user from said recognized speech;

determining said associated user from said recognized speech and a speaker identification library;

determining said associated user from said recognized speech and a speech recognition library; and

determining said associated user from an identification within said speech channel]

receiving speech information at a first device, wherein said first device is a wireless device;

transferring said speech information in an unrecognized state from said first device via a first network path to a speech recognition engine; and

at said speech recognition engine, recognizing said speech information and effecting information delivery to a second device via a second network path, wherein said second device is capable of displaying electronically coded and propagated moving or still images and playing electronically coded and propagated audio;

wherein said first network path and said second network paths are different.

13. The [apparatus] *method of claim [11] 12, [further comprising:*

means for assessing content response identified as to said user to create a financial consequence to said user site; and

billing said user site based upon said financial consequence] wherein said first device and said second device are different devices.

14. The [apparatus] *method of claim [11] 12, [further comprising:*

means for fetching a user profile list based upon said user devices, said user profile list containing at least one user profile; and

53

means for identifying said user based upon said recognized speech content and based upon said user profile list] wherein said speech information comprises video search information; and wherein said information delivery comprises video information.

15. The method of claim 12, wherein said speech information transfer comprises transferring said speech information in either of a partially recognized state or an unrecognized state.

16. The method of claim 12, wherein said wireless first device is used for input and output for control purposes, wherein said information delivery is to said second device which comprises a television and STB.

17. The method of claim 12, further comprising at least one of the steps of:

determining a user site associated with a user of said first device;

determining said associated user site from said recognized speech;

determining said associated user site from said recognized speech and a speaker identification library;

determining said associated user site from said recognized speech and a speech recognition library; and

determining said associated user site from an identification within said speech channel.

18. The method of claim 12, further comprising the steps of:

assessing a response identified as to a user device comprising any of said first device and said second device to create a financial consequence; and

billing a user associated with said user device based upon said financial consequence.

19. The method of claim 12, further comprising the steps of:

assessing a response to create a financial consequence identified with a user site;

communicating said financial consequence to said user; said user confirming said communicated financial consequence to create a financial commitment; and

billing said user based upon said financial commitment.

20. The method of claim 12, further comprising of the steps of:

fetching a user profile list based upon said first device, said user profile list containing at least one user profile; and identifying said user based upon said recognized speech and based upon said user profile list.

21. The method of claim 12, further comprising the step of: responding to recognized speech identified as to said first device based upon natural language to create a response uniquely identified with said user device.

22. A method for speech directed information delivery, comprising:

receiving speech information at a first device, wherein said first device is a wireless device;

transferring said speech information, after processing to complete the initial stages of speech recognition, from said first device via a first network path to a speech recognition engine; and

at said speech recognition engine, performing further processing to complete the recognition of said speech information and effecting information delivery to said first device via a second network path;

wherein said first network path and said second network paths are different.

23. The method of claim 22, wherein said speech information comprises video search information; and wherein said information delivery comprises video information.

54

24. The method of claim 22, further comprising at least one of the steps of:

determining a user site associated with a user of said first device;

determining said associated user site from said recognized speech;

determining said associated user site from said recognized speech and a speaker identification library;

determining said associated user site from said recognized speech and a speech recognition library; and

determining said associated user site from an identification within said speech channel.

25. The method of claim 22, further comprising the steps of:

assessing said response identified as to said first device to create a financial consequence; and

billing a user associated with said first device based upon said financial consequence.

26. The method of claim 22, further comprising the steps of:

assessing a response to create a financial consequence identified with a user site;

communicating said financial consequence to said user; said user confirming said communicated financial consequence to create a financial commitment; and

billing said user based upon said financial commitment.

27. The method of claim 22, further comprising of the steps of:

fetching a user profile list based upon said first device, said user profile list containing at least one user profile; and

identifying said user based upon said recognized speech and based upon said user profile list.

28. The method of claim 22, further comprising the step of: responding to recognized speech identified as to said first device based upon natural language to create a response uniquely identified with said first device.

29. A method for speech directed information delivery, comprising:

receiving speech information at a first device, wherein said first device is a wireless device;

performing speech recognition at said first device;

transferring said recognized speech information from said first device via a first network path to a source of information; and

effecting information delivery to said first device via a second network path;

wherein said first network path and said second network paths are different.

30. The method of claim 29, wherein said speech information comprises video search information; and wherein said information delivery comprises video information.

31. The method of claim 29, further comprising at least one of the steps of:

determining a user site associated with a user of said first device;

determining said associated user site from said recognized speech;

determining said associated user site from said recognized speech and a speaker identification library;

determining said associated user site from said recognized speech and a speech recognition library; and

determining said associated user site from an identification within said speech channel.

32. The method of claim 29, further comprising the steps of:

assessing a response identified as to said first device to create a financial consequence; and

55

billing a user associated with said first device based upon said financial consequence.

33. *The method of claim 29, further comprising the steps of:*

assessing a response to create a financial consequence identified with said first site;

communicating said financial consequence to said user;

said user confirming said communicated financial consequence to create a financial commitment; and

billing said user based upon said financial commitment.

34. *The method of claim 29, further comprising of the steps of:*

fetching a user profile list based upon said first device, said user profile list containing at least one user profile; and

identifying said user based upon said recognized speech and based upon said user profile list.

35. *The method of claim 29, further comprising the step of: responding to said recognized speech identified as to said first device based upon natural language to create a response uniquely identified with said first device.*

36. *A method for speech directed information delivery, comprising:*

receiving speech information at a first device, wherein said first device is a wireless device;

transferring said speech information from said first device via a first network path to a speech recognition engine; and

at said speech recognition engine, performing processing to recognize said speech information and effecting information delivery to said first device via a second network path;

wherein said first network path and said second network paths are different.

37. *The method of claim 36, wherein said speech information comprises video search information; and wherein said information delivery comprises video information.*

56

38. *The method of claim 36, further comprising at least one of the steps of:*

determining a user site associated with a user of said first device;

determining said associated user site from said recognized speech;

determining said associated user site from said recognized speech and a speaker identification library;

determining said associated user site from said recognized speech and a speech recognition library; and

determining said associated user site from an identification within said speech channel.

39. *The method of claim 36, further comprising the steps of:*

assessing said response identified as to said first device to create a financial consequence; and

billing a user associated with said first device based upon said financial consequence.

40. *The method of claim 36, further comprising the steps of:*

assessing a response to create a financial consequence identified with a user site;

communicating said financial consequence to said user; said user confirming said communicated financial consequence to create a financial commitment; and

billing said user based upon said financial commitment.

41. *The method of claim 36, further comprising of the steps of:*

fetching a user profile list based upon said first device, said user profile list containing at least one user profile; and identifying said user based upon said recognized speech and based upon said user profile list.

42. *The method of claim 36, further comprising the step of: responding to recognized speech identified as to said first device based upon natural language to create a response uniquely identified with said first device.*

* * * * *

UNITED STATES PATENT AND TRADEMARK OFFICE
CERTIFICATE OF CORRECTION

PATENT NO. : RE44,326 E
APPLICATION NO. : 13/288848
DATED : June 25, 2013
INVENTOR(S) : Theodore Calderone et al.

Page 1 of 2

It is certified that error appears in the above-identified patent and that said Letters Patent is hereby corrected as shown below:

In the Drawings

Sheet 1 of 35, Fig. 1, reference character "106" between Metropolitan headend 10 and Headend 104 should be --106A--

Sheet 1 of 35, Fig. 1, reference character "126" between Headend 104 and Node 124 should be --126A--

Sheet 3 of 35, Fig. 3, the text in box 3200 should be changed from "SPEECH RECOGNITION PROCESSOR SYSTEM" to --SERVER ARRAY--

Sheet 19 of 35, Fig. 19D, reference character "1114" should read --1116--

Sheet 19 of 35, Fig. 19D, reference character "1116" should read --1114--

In the Specification

Column 2, Line 29 should be changed from "10 coupled 106 to Headend 104. These higher layers of the" to --10 coupled 106A to Headend 104. These higher layers of the--

Column 2, Line 31 should be changed from "plings 102, 106 and 108, as well as for 122, 126 and 128." to --plings 102, 106A and 108, as well as for 122, 126A and 128.--

Column 5, Line 12 should be changed from "located in or near a server farm a web-site hosting facility," to --located in or near a server farm, a web-site hosting facility,--

Column 8, Line 27 should be changed from "set-top box 1120 possessing downlink coupling 1202 and" to --set-top box 1110 possessing downlink coupling 1202 and--

Signed and Sealed this
Eighth Day of August, 2017



Joseph Matal
*Performing the Functions and Duties of the
Under Secretary of Commerce for Intellectual Property and
Director of the United States Patent and Trademark Office*

U.S. Pat. No. RE44,326 E

Column 8, Line 34 should be changed from “receiving initial uplink coupling 1112 from set-top box 1110;” to --receiving initial uplink coupling 1116 from set-top box 1110;--

Column 8, Line 42 should be changed from “1002 with hand held remote 1000 and couplings 1112 and” to --1002 with hand held remote 1000 and couplings 1116 and--

Column 26, Line 8 should be changed from “box 1110 and receives initial uplink coupling 1112 from” to --box 1110 and receives initial uplink coupling 1116 from--

Column 26, Line 58 should be changed from “1002 with hand held remote 1000 and couplings 1112 and” to --1002 with hand held remote 1000 and couplings 1116 and--

Column 26, Line 62 should be changed from “coupling 1112 from set-top box 1110 as shown in FIG. 19D.” to --coupling 1116 from set-top box 1110 as shown in FIG. 19D.--

In the Claims

Column 50, Line 63 should be changed from “said second device paths are different devices.” to --said second device are different devices.--

Column 51, Line 21 should be changed from “less devise is used for input and output for control pur-” to --less device is used for input and output for control pur- --

Column 52, Line 5 should be changed from “The method of claim [7] 1, further comprising of the” to --The method of claim [7] 1, further comprising the--

Column 52, Line 13 should be changed from “method of claim 1, further comprising the steps of providing:” to --method of claim 1, further comprising the steps of:--

Column 52, Line 54 should be changed from “paths are different.” to --path are different.--

(12) **POST-GRANT REVIEW CERTIFICATE** (277th)

United States Patent
Calderone et al.

(10) **Number:** **US RE44,326 J1**
(45) **Certificate Issued:** **Jun. 6, 2024**

(54) **SYSTEM AND METHOD OF VOICE
RECOGNITION NEAR A WIRELINE NODE
OF A NETWORK SUPPORTING CABLE
TELEVISION AND/OR VIDEO DELIVERY**

(75) **Inventors: Theodore Calderone; Paul M. Cook;
Mark J. Foster**

(73) **Assignee: PROMPTU SYSTEMS
CORPORATION**

Trial Number:

CBM2018-00034 filed Apr. 2, 2018

Post-Grant Review Certificate for:

Patent No.: **RE44,326**
Issued: **Jun. 25, 2013**
Appl. No.: **13/288,848**
Filed: **Nov. 2, 2011**

The results of CBM2018-00034 are reflected in this
post-grant review certificate under 35 U.S.C. 328(b).

POST-GRANT REVIEW CERTIFICATE
U.S. Patent RE44,326 J1
Trial No. CBM2018-00034
Certificate Issued Jun. 6, 2024

1

2

AS A RESULT OF THE POST-GRANT REVIEW
PROCEEDING, IT HAS BEEN DETERMINED
THAT:

Claims 1-21 are cancelled.

5

* * * * *

(12) **INTER PARTES REVIEW CERTIFICATE** (3603rd)

United States Patent
Calderone et al.

(10) **Number:** **US RE44,326 K1**
(45) **Certificate Issued:** **Jun. 6, 2024**

(54) **SYSTEM AND METHOD OF VOICE
RECOGNITION NEAR A WIRELINE NODE
OF A NETWORK SUPPORTING CABLE
TELEVISION AND/OR VIDEO DELIVERY**

(75) **Inventors:** **Theodore Calderone; Paul M. Cook;
Mark J. Foster**

(73) **Assignee:** **PROMPTU SYSTEMS
CORPORATION**

Trial Numbers:

IPR2018-00342 filed Dec. 19, 2017
IPR2018-00343 filed Dec. 19, 2017

Inter Partes Review Certificate for:

Patent No.: **RE44,326**
Issued: **Jun. 25, 2013**
Appl. No.: **13/288,848**
Filed: **Nov. 3, 2011**

The results of IPR2018-00342; IPR2018-00343 are reflected in this inter partes review certificate under 35 U.S.C. 318(b).

INTER PARTES REVIEW CERTIFICATE
U.S. Patent RE44,326 K1
Trial No. IPR2018-00342
Certificate Issued Jun. 6, 2024

1

2

AS A RESULT OF THE INTER PARTES
REVIEW PROCEEDING, IT HAS BEEN
DETERMINED THAT:

Claims 1-9, 11-19 and 21 are cancelled.

5

* * * * *