

US00RE44252E

(19) **United States**
(12) **Reissued Patent**
Jones et al.

(10) **Patent Number:** **US RE44,252 E**
(45) **Date of Reissued Patent:** **Jun. 4, 2013**

(54) **COIN REDEMPTION SYSTEM**

(56) **References Cited**

(75) Inventors: **William J. Jones**, Barrington, IL (US);
Douglas U. Mennie, Barrington, IL
(US); **Jeffrey G. Knoll**, Carol Stream, IL
(US)

(73) Assignee: **Cummins-Allison Corp.**, Mt. Prospect,
IL (US)

(21) Appl. No.: **11/805,863**

(22) Filed: **May 23, 2007**

Related U.S. Patent Documents

Reissue of:

(64) Patent No.: **6,896,118**
Issued: **May 24, 2005**
Appl. No.: **10/339,149**
Filed: **Jan. 9, 2003**

U.S. Applications:

(60) Provisional application No. 60/364,628, filed on Mar.
15, 2002, provisional application No. 60/347,476,
filed on Jan. 10, 2002.

(51) **Int. Cl.**
G07F 7/00 (2006.01)

(52) **U.S. Cl.**
USPC **194/217**

(58) **Field of Classification Search**
USPC 194/217, 215, 216; 209/534; 235/378,
235/379, 380; 186/35, 37; 705/64, 72, 77,
705/79; 902/1, 4, 5, 22, 23, 25

See application file for complete search history.

U.S. PATENT DOCUMENTS

446,303 A	2/1891	Thompson	
2,570,920 A	10/1951	Clough et al.	232/16
2,669,998 A	2/1954	Buchholz	133/8
2,750,949 A	6/1956	Kulo et al.	133/8
2,835,260 A	5/1958	Buchholz	133/8
2,865,561 A	12/1958	Rosapepe	232/7
2,936,684 A	5/1960	Simjian	95/11
3,104,314 A	9/1963	Simjian	235/619

(Continued)

FOREIGN PATENT DOCUMENTS

CA	2235925 C	11/1995
CA	2189330 C	12/2000

(Continued)

OTHER PUBLICATIONS

Interview Summary (From prosecution history of U.S. Appl. No.
10/198,872).

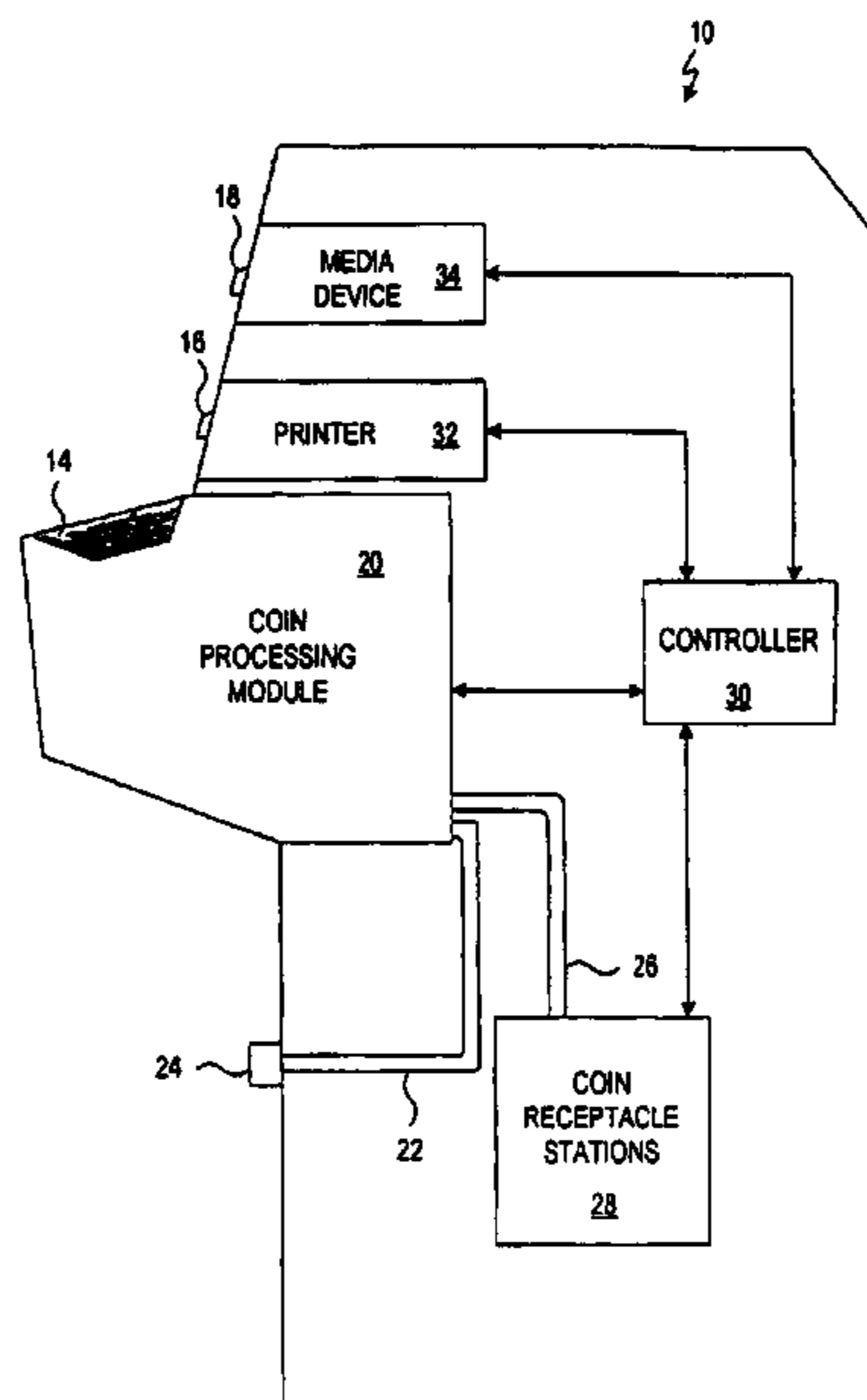
(Continued)

Primary Examiner — Mark Beauchaine
(74) *Attorney, Agent, or Firm* — Nixon Peabody LLP

(57) **ABSTRACT**

According to one embodiment of the present invention, a coin redemption system, in which a user deposits a batch of mixed coins of a plurality of denominations, comprises a coin input area for receiving a batch of mixed coins from a user of the coin redemption system, a coin processing unit coupled to the coin input area for determining the aggregate value of the coins received from the user, a controller for assigning a transaction number corresponding to the batch of received coins, a first printer for printing a receipt indicative of the determined value and the assigned transaction number, an output device disposed in a redemption area for displaying the assigned transaction number and the determined value.

14 Claims, 5 Drawing Sheets



US RE44,252 E

Page 2

U.S. PATENT DOCUMENTS							
3,132,654 A	5/1964	Adams	133/1	4,321,672 A	3/1982	Braun et al.	364/408
3,148,932 A	9/1964	Simjian	346/22	4,334,619 A	6/1982	Horino et al.	209/551
3,150,912 A	9/1964	Simjian	346/22	4,337,864 A	7/1982	McLean	209/534
3,173,742 A	3/1965	Simjian	346/22	4,341,951 A	7/1982	Benton	235/379
3,246,295 A	4/1966	DeClariss et al.	382/56	4,348,656 A	9/1982	Gorgone et al.	
3,280,974 A	10/1966	Riddle et al.		4,349,111 A	9/1982	Shah et al.	209/534
3,376,970 A	4/1968	Roseberg	198/40	4,352,988 A	10/1982	Ishida	250/559
3,443,107 A	5/1969	Modglin	250/219	4,355,300 A	10/1982	Weber	
3,480,785 A	11/1969	Aufderheide	250/219	4,355,369 A	10/1982	Garvin	364/900
3,496,370 A	2/1970	Haville et al.	250/219	4,356,473 A	10/1982	Freudenthal	
3,509,535 A	4/1970	Berube	340/149	4,360,034 A	11/1982	Davila et al.	133/3 D
3,612,835 A	10/1971	Andrews et al.		4,369,442 A	1/1983	Werth et al.	340/825.35
3,618,765 A	11/1971	Syoasel et al.	209/122	4,380,316 A	4/1983	Glinka et al.	232/16
3,656,615 A	4/1972	Ptacek	209/73	4,381,447 A	4/1983	Horvath et al.	250/223
3,679,314 A	7/1972	Mustert	356/71	4,383,540 A	5/1983	DeMeyer et al.	133/3 H
3,705,384 A	12/1972	Wahlberg	705/5	4,385,285 A	5/1983	Horst et al.	382/3
3,715,031 A	2/1973	Okkonen	209/75	4,386,432 A	5/1983	Nakamura et al.	382/7
3,725,667 A	4/1973	Schwartz	250/219 DQ	4,396,902 A	8/1983	Warthan et al.	382/64
3,764,899 A	10/1973	Peterson	324/61 R	4,412,292 A	10/1983	Sedam et al.	364/479
3,771,583 A	11/1973	Bottemiller	160/327	4,416,299 A	11/1983	Bergman	133/1 R
3,778,595 A	12/1973	Hatanaka et al.	235/61.7 B	4,417,136 A	11/1983	Rushby et al.	235/379
3,778,628 A	12/1973	Novak et al.	250/556	4,420,153 A	12/1983	Winkler et al.	271/304
3,782,543 A	1/1974	Martelli et al.	209/75	4,423,316 A	12/1983	Sano et al.	235/379
3,798,603 A	3/1974	Wahlberg	340/149	4,434,359 A	2/1984	Watanabe	235/379
3,800,078 A	3/1974	Cochran et al.	178/71	4,436,103 A	3/1984	Dick	133/3 D
3,806,710 A	4/1974	Shigemori et al.	235/92	4,441,205 A	4/1984	Berkin et al.	382/8
3,815,021 A	6/1974	Kerr	324/61 R	4,442,541 A	4/1984	Finkel et al.	382/7
3,842,281 A	10/1974	Goodrich	250/461	4,449,240 A	5/1984	Yoshida	382/15
3,870,629 A	3/1975	Carter et al.		4,454,414 A	6/1984	Benton	235/379
3,906,449 A	9/1975	Marchak	340/149 R	4,461,028 A	7/1984	Okubo	382/15
3,916,922 A	11/1975	Prumm	133/3 R	4,464,786 A	8/1984	Nishito et al.	382/7
3,930,582 A	1/1976	Gartner et al.	209/88	4,464,787 A	8/1984	Fish et al.	382/7
3,966,047 A	6/1976	Steiner	209/75	RE31,692 E	10/1984	Tyburski et al.	382/7
3,976,198 A	8/1976	Carnes, Jr. et al.		4,474,197 A	10/1984	Kinoshita et al.	133/4 A
3,998,237 A	12/1976	Kressin	133/3 A	4,480,177 A	10/1984	Allen	235/379
3,998,379 A	12/1976	Myers et al.	229/33	4,487,306 A	12/1984	Nao et al.	194/4
4,023,011 A	5/1977	Nakajima et al.		4,488,116 A	12/1984	Plesko	324/236
4,041,456 A	8/1977	Ott et al.	382/135	4,490,846 A	12/1984	Ishida et al.	382/7
4,050,218 A	9/1977	Call	53/167	4,513,439 A	4/1985	Gorgone et al.	382/7
4,059,122 A	11/1977	Kinoshita	133/3 D	4,521,008 A	6/1985	Granzow et al.	271/3
4,075,460 A	2/1978	Gorgens	235/420	4,523,087 A	6/1985	Benton	235/379
4,096,991 A	6/1978	Iguchi	235/419	4,530,067 A	7/1985	Dorr	364/900
4,109,238 A	8/1978	Creekmore	340/149	4,538,719 A	9/1985	Gray et al.	194/100 A
4,114,804 A	9/1978	Jones et al.	235/476	4,539,702 A	9/1985	Oka	382/7
4,124,111 A	11/1978	Hayashi	194/102	4,542,829 A	9/1985	Emery et al.	209/534
4,147,430 A	4/1979	Gorgone et al.	356/51	4,543,969 A	10/1985	Rasmussen	133/3
4,150,740 A	4/1979	Douno	194/4 C	4,544,266 A	10/1985	Antes	356/71
4,166,945 A	9/1979	Inoyama et al.	235/379	4,547,896 A	10/1985	Ohtombe et al.	382/7
4,172,462 A	10/1979	Uchida et al.	133/3 A	4,549,561 A	10/1985	Johnson et al.	133/3
4,179,685 A	12/1979	O'Maley	340/146.3 H	4,553,222 A	11/1985	Kurland et al.	364/900
4,179,723 A	12/1979	Spencer	361/384	4,553,846 A	11/1985	Hilton et al.	356/429
4,184,366 A	1/1980	Butler	73/163	4,556,140 A	12/1985	Okada	194/4 C
4,187,463 A	2/1980	Kivenson	324/228	4,558,224 A	12/1985	Gober	
4,197,986 A	4/1980	Nagata	235/379	4,558,711 A	12/1985	Yoshiaki et al.	133/3 F
4,205,780 A	6/1980	Burns et al.	235/454	4,559,451 A	12/1985	Curl	250/560
4,208,549 A	6/1980	Polillo et al.	179/6.3 R	4,563,771 A	1/1986	Gorgone et al.	382/7
4,228,812 A	10/1980	Marti	133/3 F	4,564,036 A	1/1986	Ristvedt	133/3
4,231,014 A	10/1980	Ponzio		4,567,370 A	1/1986	Falls	
4,232,295 A	11/1980	McConnell	340/152 R	4,569,421 A	2/1986	Sandstedt	186/39
4,234,003 A	11/1980	Ristvedt et al.	133/3	4,570,655 A	2/1986	Raterman	133/3
4,237,378 A	12/1980	Jones	250/223 R	4,582,172 A	4/1986	Takeuchi et al.	186/38
4,249,552 A	2/1981	Margolin et al.	133/1 R	4,584,529 A	4/1986	Aoyama	324/261
4,250,806 A	2/1981	Boyson et al.	101/2	4,587,412 A	5/1986	Apisdorf	235/449
4,251,867 A	2/1981	Uchida et al.	364/408	4,587,434 A	5/1986	Roes et al.	250/556
4,255,651 A	3/1981	Phillips	235/92	4,590,606 A	5/1986	Rohrer	382/7
4,264,808 A	4/1981	Owens et al.	235/379	4,592,090 A	5/1986	Curl et al.	382/7
4,266,121 A	5/1981	Hirose	235/381	4,593,184 A	6/1986	Bryce	
4,275,874 A	6/1981	DiBlasio	271/4	4,594,664 A	6/1986	Hashimoto	364/405
4,277,774 A	7/1981	Fujii et al.		4,602,332 A	7/1986	Hirose et al.	364/408
4,283,708 A	8/1981	Lee		D285,095 S	8/1986	Lundgren et al.	D18/3
4,286,703 A	9/1981	Schuller et al.	194/100 A	4,605,926 A	8/1986	Onishi et al.	
4,288,781 A	9/1981	Sellner et al.		4,607,649 A	8/1986	Taipale et al.	133/3 C
RE30,773 E	10/1981	Glaser et al.	235/379	4,611,205 A	9/1986	Eglise	
4,302,781 A	11/1981	Ikeda et al.	358/486	4,611,345 A	9/1986	Ohnishi et al.	382/7
4,310,885 A	1/1982	Azcua et al.	364/405	4,617,458 A	10/1986	Bryce	235/449
4,311,914 A	1/1982	Huber	250/556	4,620,559 A	11/1986	Childers et al.	133/3 R
4,313,598 A	2/1982	DiBlasio	271/124	4,622,456 A	11/1986	Naruto et al.	235/379
4,317,957 A	3/1982	Sendrow	178/22.08	4,628,194 A	12/1986	Dobbins et al.	235/379
				4,641,239 A *	2/1987	Takesako	705/41

US RE44,252 E

4,645,936 A	2/1987	Gorgone	250/556	4,971,187 A	11/1990	Furuya et al.	194/318
4,653,647 A	3/1987	Hashimoto	209/534	4,973,851 A	11/1990	Lee	250/556
4,658,289 A	4/1987	Nagano et al.	358/75	4,980,543 A	12/1990	Hara et al.	209/534
4,674,260 A	6/1987	Rasmussen et al.	53/212	4,988,849 A	1/1991	Sasaki et al.	235/379
4,676,343 A	6/1987	Humble et al.	186/61	4,992,647 A	2/1991	Konishi et al.	235/379
4,677,682 A	6/1987	Miyagawa et al.	382/7	4,992,860 A	2/1991	Hamaguchi et al.	358/75
4,678,072 A	7/1987	Kobayashi et al.	194/206	4,995,848 A	2/1991	Goh	453/3
4,681,128 A	7/1987	Ristvedt et al.	453/6	4,996,604 A	2/1991	Oqawa et al.	358/486
4,685,141 A	8/1987	Hoque et al.	382/7	5,009,627 A	4/1991	Rasmussen	453/10
4,686,357 A	8/1987	Douno et al.	235/379	5,010,238 A	4/1991	Kadono et al.	235/379
4,694,963 A	9/1987	Takesako	209/534	5,010,485 A	4/1991	Bigari	364/408
4,697,071 A	9/1987	Hiraoka et al.	235/379	5,010,782 A	4/1991	Asano et al.	
4,700,368 A	10/1987	Munn et al.	377/8	5,011,455 A	4/1991	Rasmussen	453/10
4,705,154 A	11/1987	Masho et al.	194/319	5,022,889 A	6/1991	Ristvedt et al.	453/6
4,706,577 A	11/1987	Jones	109/59 T	5,023,782 A	6/1991	Lutz et al.	364/405
4,716,456 A	12/1987	Hosaka	358/75	5,025,139 A	6/1991	Halliburton, Jr.	235/379
4,718,218 A	1/1988	Ristvedt	53/532	5,026,320 A	6/1991	Rasmussen	453/6
4,731,043 A	3/1988	Ristvedt et al.	453/6	5,027,415 A	6/1991	Hara et al.	382/7
4,733,308 A	3/1988	Nakamura et al.	358/496	5,031,098 A	7/1991	Miller et al.	364/405
4,733,765 A	3/1988	Watanabe	194/206	5,033,602 A	7/1991	Saarinen et al.	194/334
4,735,289 A	4/1988	Kenyon	186/37	5,039,848 A	8/1991	Stoken	235/381
4,743,743 A	5/1988	Fukatsu	235/379	5,040,226 A	8/1991	Elischer et al.	382/7
4,743,974 A	5/1988	Lockwood	358/285	5,047,871 A	9/1991	Meyer et al.	358/486
4,748,679 A	5/1988	Gold et al.	382/61	5,054,621 A	10/1991	Murphy et al.	209/534
4,749,074 A	6/1988	Ueki et al.	194/317	5,055,086 A	10/1991	Rateman et al.	453/10
4,749,087 A	6/1988	Buttifant	209/534	5,055,657 A	10/1991	Miller et al.	235/381
4,753,624 A	6/1988	Adams et al.	453/10	5,055,834 A	10/1991	Chiba	340/825
4,753,625 A	6/1988	Okada	453/32	5,063,599 A	11/1991	Concannon et al.	382/7
4,764,725 A	8/1988	Bryce	324/234	5,064,999 A	11/1991	Okamoto et al.	235/379
4,764,976 A	8/1988	Kallin et al.	382/65	5,068,519 A	11/1991	Bryce	235/449
4,765,464 A	8/1988	Ristvedt		5,076,441 A	12/1991	Gerlier	209/534
4,766,548 A	8/1988	Cedrone et al.	364/479	5,080,633 A	1/1992	Ristvedt et al.	435/6
4,775,353 A	10/1988	Childers et al.	453/6	5,091,713 A	2/1992	Horne et al.	340/541
4,775,354 A	10/1988	Rasmussen et al.	453/10	5,091,961 A	2/1992	Baus, Jr.	382/7
4,778,983 A	10/1988	Ushikubo	235/381	5,104,353 A	4/1992	Ristvedt et al.	453/6
4,782,328 A	11/1988	Denlinger	340/365	5,105,601 A	4/1992	Horiguchi et al.	53/465
4,784,274 A	11/1988	Mori et al.	209/534	5,106,338 A	4/1992	Rasmussen et al.	453/10
4,803,347 A	2/1989	Sugahara et al.	235/379	5,111,927 A	5/1992	Schulze	194/209
4,804,830 A	2/1989	Miyagisima et al.	235/379	5,114,381 A	5/1992	Ueda et al.	453/57
4,806,709 A	2/1989	Evans	178/19	5,120,944 A	6/1992	Kern et al.	235/379
4,811,004 A	3/1989	Person et al.	340/712	5,120,945 A	6/1992	Nishibe et al.	235/379
4,812,629 A	3/1989	O'Neil et al.	235/383	5,122,754 A	6/1992	Gotaas	324/676
4,817,176 A	3/1989	Marshall et al.	382/43	5,123,873 A	6/1992	Rasmussen	453/10
4,821,332 A	4/1989	Durham	382/7	5,129,205 A	7/1992	Rasmussen	53/52
4,823,393 A	4/1989	Kawakami	382/7	5,134,663 A	7/1992	Kozlowski	382/7
4,825,246 A	4/1989	Fukuchi et al.	355/4	5,135,115 A	8/1992	Miller et al.	209/564
4,827,531 A	5/1989	Milford	382/7	5,135,435 A	8/1992	Rasmussen	453/56
4,833,307 A	5/1989	Gonzales-Justiz	235/375	5,140,517 A	8/1992	Nagata et al.	364/408
4,833,312 A	5/1989	Minematsu et al.	235/379	5,141,443 A	8/1992	Rasmussen et al.	453/10
4,837,842 A	6/1989	Holt	382/26	5,141,472 A	8/1992	Todd et al.	453/10
4,839,505 A	6/1989	Bradt et al.	235/381	5,144,115 A	9/1992	Yoshida	235/379
4,841,358 A	6/1989	Kammoto et al.	358/75	5,145,455 A	9/1992	Todd	453/6
4,844,369 A	7/1989	Kanayachi	242/56 R	5,146,067 A	9/1992	Sloan et al.	235/381
4,848,556 A	7/1989	Shah et al.	194/212	5,146,512 A	9/1992	Weideman et al.	382/30
4,851,616 A	7/1989	Wales et al.	178/18	5,151,607 A	9/1992	Crane et al.	250/556
4,863,414 A	9/1989	Ristvedt et al.	453/6	5,154,272 A	10/1992	Nishiumi et al.	194/318
4,877,230 A	10/1989	Winkler et al.	271/3	5,159,548 A	10/1992	Caslavka	364/408
4,880,096 A	11/1989	Kobayashi et al.	194/206	5,163,672 A	11/1992	Mennie	271/187
4,881,268 A	11/1989	Uchida et al.	382/7	5,163,866 A	11/1992	Rasmussen	453/10
4,883,158 A	11/1989	Kobayashi et al.	194/217	5,163,867 A	11/1992	Rasmussen	453/10
4,883,181 A	11/1989	Yoshikawa	209/534	5,163,868 A	11/1992	Adams et al.	453/11
4,884,212 A	11/1989	Stutsman	364/479	5,167,313 A	12/1992	Dobbins et al.	194/317
4,888,812 A	12/1989	Dinan et al.	382/7	5,175,416 A	12/1992	Mansvelt et al.	235/379
4,900,909 A	2/1990	Nagashima et al.	235/487	5,176,565 A	1/1993	Ristvedt et al.	453/6
4,903,953 A	2/1990	Winkler et al.	271/4	5,179,517 A	1/1993	Sarbin et al.	364/410
4,905,839 A	3/1990	Yuge et al.	209/534	5,183,142 A	2/1993	Latchinian et al.	194/206
4,905,840 A	3/1990	Yuge et al.	209/534	5,184,115 A	2/1993	Black et al.	340/708
4,908,516 A	3/1990	West	250/556	5,184,709 A	2/1993	Nishiumi et al.	194/318
4,921,463 A	5/1990	Primdahl et al.	453/3	5,186,334 A	2/1993	Fukudome et al.	209/534
4,922,109 A	5/1990	Bercovitz et al.	194/207	5,187,750 A	2/1993	Behera	382/7
4,928,094 A	5/1990	Smith	340/712	5,193,121 A	3/1993	Elischer et al.	382/7
4,931,782 A	6/1990	Jackson	340/706	5,194,037 A	3/1993	Jones et al.	453/10
4,936,435 A	6/1990	Griner	194/317	5,197,919 A	3/1993	Geib et al.	453/10
4,947,441 A	8/1990	Hara et al.	382/7	5,198,976 A	3/1993	Form et al.	364/410
4,953,086 A	8/1990	Fukatsu	364/408	5,199,543 A	4/1993	Kamagami et al.	194/207
4,954,697 A	9/1990	Kokubun et al.	235/381	5,201,395 A	4/1993	Takizawa et al.	194/206
4,964,495 A	10/1990	Rasmussen	194/344	5,205,780 A	4/1993	Rasmussen	453/10
4,966,570 A	10/1990	Ristvedt et al.	453/6	5,207,784 A	5/1993	Schwartzendruber	221/6
4,970,655 A	11/1990	Winn et al.	364/479	5,207,788 A	5/1993	Geib et al.	271/122

US RE44,252 E

5,209,696 A	5/1993	Rasmussen et al.	453/10	5,467,405 A	11/1995	Rateman et al.	382/135
5,231,381 A	7/1993	Duwaer	340/712	5,467,406 A	11/1995	Graves et al.	382/135
5,236,071 A	8/1993	Lee	194/200	5,468,182 A	11/1995	Geib	453/10
5,237,158 A	8/1993	Kern et al.	235/379	5,468,971 A	11/1995	Ebstein et al.	250/556
5,239,593 A	8/1993	Wittner et al.	382/14	5,470,079 A	11/1995	LeStrange et al.	273/138 A
5,243,174 A	9/1993	Veeneman et al.	235/381	5,474,495 A	12/1995	Geib et al.	453/3
5,251,738 A	10/1993	Dabrowski	194/206	5,474,497 A	12/1995	Jones et al.	453/17
5,252,167 A	10/1993	Yoshida et al.	364/408	5,476,169 A	12/1995	Takarada et al.	194/207
5,252,811 A	10/1993	Henochowicz et al.	235/379	5,480,348 A	1/1996	Mazur et al.	453/10
5,253,167 A	10/1993	Yoshida et al.	364/408	5,481,377 A	1/1996	Udagawa et al.	358/501
5,261,518 A	11/1993	Bryce	194/206	5,486,067 A	1/1996	Huynh et al.	
5,263,566 A	11/1993	Nara et al.	194/318	5,488,671 A	1/1996	Kern	382/138
5,265,008 A	11/1993	Benton et al.	364/408	5,489,237 A	2/1996	Geib et al.	453/12
5,265,874 A	11/1993	Dickinson et al.	273/138 A	5,500,514 A	3/1996	Veeneman et al.	235/381
5,268,561 A	12/1993	Kimura et al.	235/384	5,501,631 A	3/1996	Mennie et al.	453/3
5,277,651 A	1/1994	Rasmussen et al.	453/10	5,504,822 A	4/1996	Holt	382/218
5,279,403 A	1/1994	Harbaugh et al.	194/207	5,506,691 A	4/1996	Bednar et al.	358/402
5,282,127 A	1/1994	Mii	364/130	5,507,379 A	4/1996	Mazur et al.	194/318
5,286,226 A	2/1994	Rasmussen	453/10	D369,984 S	5/1996	Larsen	D10/97
5,286,954 A	2/1994	Sato et al.	235/379	5,514,034 A	5/1996	Jones et al.	453/10
5,291,003 A	3/1994	Avnet et al.	235/381	5,520,577 A	5/1996	Rasmussen	453/56
5,291,560 A	3/1994	Daugman	382/2	5,523,575 A	6/1996	Machida et al.	
5,293,981 A	3/1994	Abe et al.	194/345	5,530,772 A	6/1996	Storey	382/135
5,295,196 A	3/1994	Rateman et al.	382/135	5,537,486 A	7/1996	Stratigos et al.	382/137
5,297,030 A	3/1994	Vassigh et al.	364/405	5,538,468 A	7/1996	Ristvedt et al.	453/3
5,297,598 A	3/1994	Rasmussen	141/314	5,542,880 A	8/1996	Geib et al.	453/10
5,297,986 A	3/1994	Ristvedt et al.	453/6	5,542,881 A	8/1996	Geib	453/10
5,299,977 A	4/1994	Mazur et al.	453/10	5,544,043 A	8/1996	Miki et al.	364/406
5,302,811 A	4/1994	Fukatsu	235/381	5,544,086 A	8/1996	Davis et al.	705/68
5,304,813 A	4/1994	DeMan	250/556	5,545,885 A	8/1996	Jagielski	235/449
5,308,992 A	5/1994	Crane et al.	250/556	5,553,320 A	9/1996	Matsuura et al.	235/379
5,309,515 A	5/1994	Troung et al.	382/7	5,559,887 A	9/1996	Davis et al.	380/24
5,317,140 A	5/1994	Dunthorn	250/221	5,564,546 A	10/1996	Molbak et al.	194/216
5,321,238 A	6/1994	Kamata et al.	235/379	5,564,974 A	10/1996	Mazur et al.	453/10
5,324,922 A	6/1994	Roberts	235/375	5,564,978 A	10/1996	Jones et al.	453/17
5,326,104 A	7/1994	Pease et al.	273/138 A	5,570,465 A	10/1996	Tsakanikas	395/114
5,335,292 A	8/1994	Lovelady et al.	382/17	5,573,457 A	11/1996	Watts et al.	453/31
5,341,408 A	8/1994	Melcher et al.	377/8	5,584,758 A	12/1996	Geib	453/10
5,342,165 A	8/1994	Graef et al.		5,584,763 A	12/1996	Kelly et al.	463/16
5,363,949 A	11/1994	Matsubayashi	194/206	5,586,036 A	12/1996	Pintsov	364/464
5,367,577 A	11/1994	Gotaas	382/7	5,592,377 A	1/1997	Lipkin	395/242
5,368,147 A	11/1994	Menke et al.	194/206	5,600,732 A	2/1997	Ott et al.	382/112
5,370,575 A	12/1994	Geib et al.	453/3	5,602,933 A	2/1997	Blackwell et al.	382/116
5,371,345 A	12/1994	LeStrange et al.	235/380	5,602,936 A	2/1997	Green et al.	382/140
5,371,798 A	12/1994	McWhortor	380/51	5,607,040 A	3/1997	Mathurin, Sr.	194/207
5,372,542 A	12/1994	Geib et al.	453/10	5,611,377 A *	3/1997	Maguire	141/98
5,373,550 A	12/1994	Campbell et al.	379/100	5,615,280 A	3/1997	Izawa et al.	382/135
5,374,814 A	12/1994	Kako et al.	235/379	5,620,079 A *	4/1997	Molbak	194/217
5,379,344 A	1/1995	Larson et al.	380/23	5,623,427 A	4/1997	Jones et al.	705/68
5,379,875 A	1/1995	Shames et al.	194/317	5,623,547 A	4/1997	Jones et al.	380/24
5,381,019 A	1/1995	Sato	250/556	5,625,562 A	4/1997	Veeneman et al.	364/479.05
5,382,191 A	1/1995	Rasmussen	453/11	5,630,494 A	5/1997	Strauts	194/317
5,390,776 A	2/1995	Thompson	194/346	5,633,949 A	5/1997	Graves et al.	382/135
5,394,969 A	3/1995	Harbaugh	194/206	5,637,845 A	6/1997	Kolls	235/381
5,399,874 A	3/1995	Gonsalves et al.	250/556	5,640,463 A	6/1997	Csulits	382/135
5,401,211 A	3/1995	Geib et al.	453/10	5,641,050 A	6/1997	Smith et al.	194/210
5,402,895 A	4/1995	Mikkelsen et al.	209/534	5,650,605 A	7/1997	Morioka et al.	235/379
5,404,986 A	4/1995	Hossfield et al.	194/317	5,650,761 A	7/1997	Gomm et al.	235/381
5,410,590 A	4/1995	Blood et al.	379/147	5,652,421 A	7/1997	Veeneman et al.	235/381
RE34,934 E	5/1995	Rateman et al.	453/10	5,652,802 A	7/1997	Graves et al.	382/135
5,417,316 A	5/1995	Harbaugh	194/206	5,657,846 A	8/1997	Schwartz	194/206
5,418,458 A	5/1995	Jeffers	324/235	5,665,952 A	9/1997	Ziarno	235/380
5,419,424 A	5/1995	Harbaugh	194/206	5,678,046 A	10/1997	Cahill et al.	395/616
5,421,443 A	6/1995	Hatamachie et al.	914/206	5,679,070 A	10/1997	Ishida et al.	453/41
5,425,669 A	6/1995	Geib et al.	453/10	5,680,472 A	10/1997	Conant	382/135
5,429,550 A	7/1995	Mazur et al.	453/10	5,684,597 A	11/1997	Hossfield et al.	356/384
5,430,664 A	7/1995	Cargill et al.	364/550	5,687,963 A	11/1997	Mennie	271/119
5,434,427 A	7/1995	Crane et al.	250/556	5,692,067 A	11/1997	Rateman et al.	382/135
5,437,357 A	8/1995	Ota et al.	194/206	5,696,366 A	12/1997	Ziarno	235/380
5,438,184 A	8/1995	Roberts et al.	235/380	5,704,491 A	1/1998	Graves	209/534
5,440,108 A	8/1995	Tran et al.	235/381	5,719,948 A	2/1998	Liang	382/112
5,444,793 A	8/1995	Kelland	382/138	5,724,438 A	3/1998	Graves	382/135
5,444,794 A	8/1995	Uhland, Sr.	382/137	5,727,667 A	3/1998	Nye	194/207
5,450,938 A	9/1995	Rademacher	194/206	5,729,623 A	3/1998	Omatu et al.	382/155
5,453,047 A	9/1995	Mazur et al.	453/10	5,743,373 A	4/1998	Strauts	194/318
5,453,601 A	9/1995	Rosen	235/379	5,746,299 A	5/1998	Molbak et al.	194/200
5,459,304 A	10/1995	Eisenmann	235/380	5,751,840 A	5/1998	Rateman et al.	382/135
5,465,301 A	11/1995	Jotcham et al.	380/54	5,751,842 A	5/1998	Riach et al.	382/137
5,465,821 A	11/1995	Akioka	194/207	5,754,673 A	5/1998	Brooks et al.	382/112

US RE44,252 E

5,761,089 A	6/1998	McInerney	364/550	6,116,402 A *	9/2000	Beach et al.	194/216
5,774,874 A	6/1998	Veeneman et al.	705/27	6,128,402 A	10/2000	Jones et al.	382/135
5,781,654 A	7/1998	Carney	382/137	6,131,625 A	10/2000	Casanova et al.	141/314
5,782,686 A	7/1998	Geib et al.	453/10	6,139,418 A	10/2000	Geib et al.	453/10
5,788,573 A	8/1998	Baerlocher et al.	463/16	6,142,285 A	11/2000	Panzeri et al.	194/328
5,790,693 A	8/1998	Graves et al.	382/135	6,145,738 A	11/2000	Stinson et al.	235/379
5,790,697 A	8/1998	Munro et al.	382/135	6,154,879 A	11/2000	Pare, Jr. et al.	902/3
5,799,767 A	9/1998	Molbak	194/217	6,168,001 B1	1/2001	Davis	194/200
5,806,650 A	9/1998	Mennie et al.	194/206	6,171,182 B1	1/2001	Geib et al.	453/10
5,813,510 A	9/1998	Rademacher	194/206	6,174,230 B1	1/2001	Gerrity et al.	453/57
5,815,592 A	9/1998	Mennie et al.	382/135	6,196,371 B1	3/2001	Martin et al.	194/317
5,822,448 A	10/1998	Graves et al.	382/135	6,196,913 B1	3/2001	Geib et al.	453/10
5,823,315 A	10/1998	Hoffman et al.	194/203	6,220,419 B1	4/2001	Mennie	194/207
5,823,874 A	10/1998	Adams	463/17	6,230,928 B1	5/2001	Hanna et al.	221/13
5,830,054 A	11/1998	Petri	453/5	6,237,565 B1	5/2001	Engelgau	
5,832,104 A	11/1998	Graves et al.	382/135	6,237,739 B1	5/2001	Mazur et al.	194/207
5,832,463 A	11/1998	Funk	705/35	6,241,069 B1	6/2001	Mazur et al.	194/207
5,838,812 A	11/1998	Pare, Jr. et al.	382/115	6,256,407 B1	7/2001	Mennie et al.	382/135
5,842,188 A	11/1998	Ramsey et al.	705/416	6,264,545 B1	7/2001	Magee et al.	453/3
5,842,916 A	12/1998	Gerrity et al.	453/57	6,270,411 B1	8/2001	Gura et al.	463/20
5,850,076 A	12/1998	Morioka et al.	235/379	6,278,795 B1	8/2001	Anderson et al.	382/135
5,852,811 A	12/1998	Atkins	705/36	6,283,366 B1	9/2001	Hills et al.	235/379
5,854,581 A	12/1998	Mori et al.	235/379	6,308,887 B1	10/2001	Korman et al.	235/379
5,865,673 A	2/1999	Geib et al.	453/10	6,311,819 B1	11/2001	Stromme et al.	194/207
5,867,589 A	2/1999	Graves et al.	382/135	6,315,660 B1	11/2001	DeMar et al.	463/16
5,870,487 A	2/1999	Graves et al.	382/135	6,318,536 B1 *	11/2001	Korman et al.	194/217
5,875,259 A	2/1999	Mennie et al.	382/135	6,318,537 B1	11/2001	Jones et al.	194/346
5,880,444 A	3/1999	Shibata et al.	235/379	6,322,309 B1	11/2001	Thomas et al.	413/20
5,892,211 A	4/1999	Davis et al.	235/380	6,349,972 B1 *	2/2002	Geiger et al.	283/67
5,892,827 A	4/1999	Beach et al.	380/24	6,351,551 B1	2/2002	Munro et al.	382/135
5,905,810 A	5/1999	Jones et al.	382/135	6,354,491 B2	3/2002	Nichols et al.	235/379
5,909,502 A	6/1999	Mazur	382/135	6,363,164 B1	3/2002	Jones et al.	382/135
5,909,503 A	6/1999	Graves et al.	382/135	6,371,303 B1	4/2002	Klein et al.	209/534
5,909,793 A	6/1999	Beach et al.	194/210	6,378,683 B2	4/2002	Mennie	194/207
5,909,794 A	6/1999	Molbak et al.	194/216	6,381,354 B1	4/2002	Mennie et al.	382/135
5,912,982 A	6/1999	Munro et al.	382/135	6,398,000 B1	6/2002	Jenrick et al.	194/200
5,913,399 A	6/1999	Takemoto et al.	194/200	6,412,620 B1	7/2002	Imura	194/317
5,918,748 A	7/1999	Clark et al.	209/534	6,431,342 B1	8/2002	Schwartz	194/346
5,926,550 A	7/1999	Davis	380/25	6,438,230 B1	8/2002	Moore	380/42
5,938,044 A	8/1999	Weggesser	209/534	6,456,928 B1	9/2002	Johnson	701/114
5,940,623 A	8/1999	Watts et al.	395/712	6,459,806 B1	10/2002	Rateman et al.	382/135
5,940,844 A	8/1999	Cahill et al.	707/526	6,460,705 B1	10/2002	Hallowell	209/534
5,943,655 A	8/1999	Jacobsen	705/30	6,471,030 B1	10/2002	Neubarth et al.	194/317
5,944,600 A	8/1999	Zimmermann	435/10	6,473,519 B1	10/2002	Pidhirny et al.	382/140
5,947,255 A	9/1999	Shimada et al.	194/207	6,474,548 B1	11/2002	Montross et al.	235/379
5,951,476 A	9/1999	Beach et al.	600/437	6,484,863 B1	11/2002	Molbak	194/216
5,957,262 A	9/1999	Molbak et al.	194/200	6,484,884 B1	11/2002	Gerrity et al.	209/233
5,960,103 A	9/1999	Graves et al.	382/135	6,493,461 B1	12/2002	Mennie et al.	382/135
5,966,456 A	10/1999	Jones et al.	382/135	6,494,776 B1	12/2002	Molbak	453/32
5,978,772 A *	11/1999	Mold	705/16	6,499,277 B1	12/2002	Warner et al.	53/447
5,982,918 A	11/1999	Mennie et al.	382/135	6,503,138 B2	1/2003	Spoehr et al.	453/10
5,988,348 A	11/1999	Martin et al.	194/317	6,511,377 B1 *	1/2003	Weiss	463/25
5,992,601 A	11/1999	Mennie et al.	194/207	6,520,308 B1	2/2003	Martin et al.	194/317
5,995,949 A	11/1999	Morioka et al.	705/43	6,522,772 B1	2/2003	Morrison et al.	382/124
5,997,395 A	12/1999	Geib et al.	453/10	6,539,104 B1	3/2003	Rateman et al.	382/135
6,012,565 A	1/2000	Mazur	194/207	6,547,131 B1	4/2003	Foodman et al.	235/380
6,017,270 A	1/2000	Ristvedt et al.	453/5	6,552,781 B1	4/2003	Rompel et al.	256/71
6,021,883 A	2/2000	Casanova et al.	194/217	6,554,185 B1	4/2003	Montross et al.	235/379
6,023,684 A	2/2000	Pearson	705/35	6,560,355 B2	5/2003	Graves et al.	382/135
6,026,175 A	2/2000	Rateman et al.	382/135	6,579,165 B2	6/2003	Kuhlin et al.	453/3
6,028,951 A	2/2000	Rateman et al.	382/135	6,581,042 B2	6/2003	Pare, Jr. et al.	705/40
D422,016 S	3/2000	Forslund	D18/3	6,588,569 B1	7/2003	Jenrick et al.	194/206
6,032,859 A	3/2000	Muehlberger et al.	235/449	6,595,342 B1 *	7/2003	Maritzen et al.	194/212
6,038,553 A	3/2000	Hyde, Jr.	705/45	6,601,687 B1	8/2003	Jenrick et al.	194/206
6,039,644 A	3/2000	Geib et al.	453/10	6,602,125 B2	8/2003	Martin	453/12
6,039,645 A	3/2000	Mazur	453/10	6,603,872 B2	8/2003	Jones et al.	382/135
6,042,470 A	3/2000	Geib et al.	453/10	6,609,604 B1	8/2003	Jones et al.	194/302
6,047,807 A	4/2000	Molbak	194/217	6,612,921 B2	9/2003	Geib et al.	453/13
6,047,808 A	4/2000	Neubarth et al.	194/317	6,621,919 B2	9/2003	Mennie et al.	382/135
6,056,104 A	5/2000	Neubarth et al.	194/317	6,628,816 B2	9/2003	Mennie et al.	382/135
6,068,194 A	5/2000	Mazur	235/492	6,636,624 B2	10/2003	Rateman et al.	382/135
6,072,896 A	6/2000	Graves et al.	382/135	6,637,576 B1	10/2003	Jones et al.	194/216
6,073,744 A	6/2000	Rateman et al.	194/207	6,640,956 B1	11/2003	Zwieg et al.	194/328
6,074,334 A	6/2000	Mennie et al.	493/438	6,644,696 B2	11/2003	Brown et al.	283/67
6,080,056 A	6/2000	Karlsson	453/3	6,647,136 B2	11/2003	Jones et al.	382/137
D427,623 S	7/2000	Kuwada et al.	D18/3	6,650,767 B2	11/2003	Jones et al.	382/135
6,082,519 A	7/2000	Martin et al.	194/350	6,654,486 B2	11/2003	Jones et al.	382/135
6,086,471 A	7/2000	Zimmermann	453/3	6,655,585 B2	12/2003	Shinn	235/382
6,095,313 A	8/2000	Molbak et al.	194/344	6,659,259 B2	12/2003	Knox et al.	194/217

US RE44,252 E

6,661,910 B2	12/2003	Jones et al.	382/135	2001/0015311 A1	8/2001	Mennie	194/207
6,662,166 B2	12/2003	Pare, Jr. et al.	705/39	2001/0019624 A1	9/2001	Raterman et al.	382/135
6,663,675 B2	12/2003	Blake et al.	753/63	2001/0034203 A1	10/2001	Geib et al.	453/3
6,665,431 B2	12/2003	Jones et al.	382/135	2001/0035603 A1	11/2001	Graves et al.	271/265.01
6,666,318 B2	12/2003	Gerrity et al.	194/347	2001/0048025 A1	12/2001	Shinn	235/382
6,678,401 B2	1/2004	Jones et al.	382/135	2002/0001393 A1	1/2002	Jones et al.	382/100
6,678,402 B2	1/2004	Jones et al.	382/135	2002/0020603 A1	2/2002	Jones et al.	194/346
6,705,470 B2	3/2004	Klein et al.	209/534	2002/0056605 A1	5/2002	Mazur et al.	194/207
6,721,442 B1	4/2004	Mennie et al.	382/135	2002/0065033 A1	5/2002	Geib et al.	453/3
6,724,926 B2	4/2004	Jones et al.	382/135	2002/0069104 A1	6/2002	Beach et al.	705/14
6,724,927 B2	4/2004	Jones et al.	382/135	2002/0074209 A1	6/2002	Karlsson	194/330
6,731,785 B1	5/2004	Mennie et al.	382/135	2002/0085245 A1	7/2002	Mennie et al.	358/498
6,731,786 B2	5/2004	Jones et al.	382/135	2002/0085745 A1	7/2002	Jones et al.	382/135
6,736,251 B2 *	5/2004	Molbak	194/347	2002/0095587 A1	7/2002	Doyle et al.	713/186
6,748,101 B1 *	6/2004	Jones et al.	382/135	2002/0103757 A1	8/2002	Jones et al.	705/45
6,754,636 B1 *	6/2004	Walker et al.	705/26	2002/0104785 A1	8/2002	Klein et al.	209/534
6,755,730 B2	6/2004	Geib et al.	453/3	2002/0107738 A1	8/2002	Beach et al.	705/14
6,758,316 B2	7/2004	Molbak	194/200	2002/0107801 A1	8/2002	Jones et al.	705/45
6,761,308 B1	7/2004	Hanna et al.	235/379	2002/0118871 A1	8/2002	Jones et al.	382/137
6,766,892 B2	7/2004	Martin et al.	194/317	2002/0122580 A1	9/2002	Jones et al.	382/137
6,778,693 B2	8/2004	Jones et al.	382/135	2002/0126885 A1	9/2002	Mennie et al.	382/135
6,783,452 B2	8/2004	Hino et al.	453/3	2002/0126886 A1	9/2002	Jones et al.	382/135
6,783,785 B1	8/2004	Raghavan et al.	426/489	2002/0130011 A1	9/2002	Casanova et al.	194/344
6,786,398 B1	9/2004	Stinson et al.	235/379	2002/0131630 A1	9/2002	Jones et al.	382/137
6,798,899 B2	9/2004	Mennie et al.	382/135	2002/0136442 A1	9/2002	Jones et al.	382/135
6,810,137 B2	10/2004	Jones et al.	382/135	2002/0145035 A1	10/2002	Jones	235/379
6,843,418 B2	1/2005	Jones et al.	235/462.01	2002/0147588 A1	10/2002	Davis et al.	704/246
6,854,581 B2	2/2005	Molbak	194/344	2002/0151267 A1	10/2002	Kuhlin et al.	453/3
6,854,640 B2	2/2005	Peklo	235/100	2002/0154804 A1	10/2002	Jones et al.	382/135
6,860,375 B2	3/2005	Hallowell et al.	194/207	2002/0154805 A1	10/2002	Jones et al.	382/135
6,866,134 B2	3/2005	Stromme et al.	194/207	2002/0154806 A1	10/2002	Jones et al.	382/135
6,868,954 B2	3/2005	Stromme et al.	194/207	2002/0154807 A1	10/2002	Jones et al.	382/135
6,880,692 B1	4/2005	Mazur et al.	194/207	2002/0154808 A1	10/2002	Jones et al.	382/135
6,892,182 B1 *	5/2005	Rowe et al.	705/14	2002/0174348 A1	11/2002	Ting	713/186
6,892,871 B2	5/2005	Strauts et al.	194/302	2002/0179401 A1	12/2002	Knox et al.	194/217
6,896,118 B2	5/2005	Jones et al.	194/217	2002/0186876 A1	12/2002	Jones et al.	382/135
6,913,130 B1	7/2005	Mazur et al.	194/207	2003/0004878 A1	1/2003	Akutsu et al.	705/43
6,913,260 B2	7/2005	Maier et al.	271/265.04	2003/0009420 A1	1/2003	Jones	705/39
6,915,893 B2	7/2005	Mennie et al.		2003/0013403 A1	1/2003	Blake et al.	453/60
6,923,721 B2 *	8/2005	Luciano et al.	463/24	2003/0015395 A1	1/2003	Hallowell et al.	194/206
6,928,546 B1	8/2005	Nanavati et al.	713/186	2003/0015396 A1	1/2003	Mennie	194/206
6,929,109 B1	8/2005	Klein et al.	194/206	2003/0059098 A1	3/2003	Jones et al.	382/135
6,950,810 B2	9/2005	Lapsley et al.	705/78	2003/0062242 A1	4/2003	Hallowell et al.	194/302
6,955,253 B1	10/2005	Mazur et al.	194/207	2003/0078094 A1 *	4/2003	Gatto et al.	463/25
6,957,733 B2	10/2005	Mazur et al.		2003/0081824 A1	5/2003	Mennie et al.	382/135
6,959,800 B1	11/2005	Mazur et al.	194/207	2003/0108233 A1	6/2003	Raterman et al.	382/135
6,962,247 B2	11/2005	Maier et al.	194/207	2003/0121752 A1	7/2003	Stromme et al.	194/207
6,980,684 B1	12/2005	Munro et al.	382/135	2003/0121753 A1	7/2003	Stromme et al.	194/207
6,991,530 B2	1/2006	Hino et al.	453/3	2003/0127299 A1	7/2003	Jones et al.	194/217
6,994,200 B2	2/2006	Jenrick et al.	194/206	2003/0132281 A1	7/2003	Jones et al.	235/379
6,996,263 B2	2/2006	Jones et al.		2003/0139994 A1	7/2003	Jones	705/36
7,000,828 B2	2/2006	Jones et al.		2003/0168308 A1	9/2003	Maier et al.	194/207
7,004,831 B2	2/2006	Hino et al.		2003/0168309 A1	9/2003	Geib et al.	194/302
7,014,029 B2	3/2006	Winters	194/302	2003/0168310 A1	9/2003	Strauts et al.	194/302
7,016,767 B2	3/2006	Jones et al.	700/224	2003/0174874 A1	9/2003	Raterman et al.	382/135
7,028,827 B1	4/2006	Molbak et al.	194/346	2003/0182217 A1	9/2003	Chiles	705/35
7,082,216 B2	7/2006	Jones et al.	382/137	2003/0198373 A1	10/2003	Raterman et al.	382/135
7,092,560 B2	8/2006	Jones et al.	382/135	2003/0202690 A1	10/2003	Jones et al.	382/139
7,103,206 B2	9/2006	Graves et al.		2004/0003980 A1	1/2004	Hallowell et al.	194/206
7,103,438 B2	9/2006	Hallowell et al.	700/116	2004/0016621 A1	1/2004	Jenrick et al.	194/206
7,113,929 B1 *	9/2006	Beach et al.	705/65	2004/0016797 A1	1/2004	Jones et al.	235/379
7,125,335 B2 *	10/2006	Rowe	463/25	2004/0028266 A1	2/2004	Jones et al.	382/135
7,146,245 B2	12/2006	Jones et al.	700/224	2004/0039635 A1 *	2/2004	Linde et al.	705/14
7,149,336 B2	12/2006	Jones et al.	382/135	2004/0083149 A1	4/2004	Jones	705/35
7,152,727 B2	12/2006	Waechter	194/317	2004/0145726 A1	7/2004	Csulits et al.	356/71
7,158,662 B2	1/2007	Chiles	382/135	2004/0149538 A1	8/2004	Sakowski	194/207
7,171,032 B2	1/2007	Jones et al.	382/135	2004/0153406 A1	8/2004	Alarcon-Luther et al.	705/41
7,187,795 B2	3/2007	Jones et al.		2004/0153408 A1	8/2004	Jones et al.	705/43
7,191,657 B2	3/2007	Maier et al.	73/587	2004/0154964 A1	8/2004	Jones	209/534
7,197,173 B2	3/2007	Jones et al.	382/135	2004/0173432 A1	9/2004	Jones	194/216
7,200,255 B2	4/2007	Jones et al.	382/135	2004/0188221 A1	9/2004	Carter	194/215
7,201,320 B2	4/2007	Csulits et al.	235/462.01	2004/0251110 A1	12/2004	Jenrick et al.	194/207
7,232,024 B2	6/2007	Mazur et al.	194/207	2005/0029168 A1	2/2005	Jones et al.	209/534
7,248,731 B2	7/2007	Raterman et al.	382/135	2005/0035034 A1	2/2005	Long et al.	209/534
7,256,874 B2	8/2007	Csulits et al.	356/71	2005/0040225 A1	2/2005	Csulits et al.	235/379
7,272,570 B2 *	9/2007	Sadler	705/16	2005/0047642 A1	3/2005	Jones et al.	382/137
7,349,566 B2	3/2008	Jones et al.		2005/0060055 A1	3/2005	Hallowell et al.	700/95
7,580,859 B2	8/2009	Economy		2005/0060059 A1	3/2005	Klein et al.	700/213
2001/0006557 A1	7/2001	Mennie et al.	382/135	2005/0060061 A1	3/2005	Jones	700/226

US RE44,252 E

Page 7

2005/0077142	A1	4/2005	Tam et al.	194/217	EP	0 824 736	B1	3/2000
2005/0086271	A1	4/2005	Jones et al.	707/200	EP	0 686 292		7/2000
2005/0087422	A1	4/2005	Maier et al.	194/207	EP	0 686 292	B1	7/2000
2005/0108165	A1	5/2005	Jones et al.	705/43	EP	0 760 987		9/2000
2005/0117791	A2	6/2005	Rateman et al.	382/135	EP	0 760 987	B1	9/2000
2005/0117792	A2	6/2005	Graves et al.	382/135	EP	1 104 920	A1	6/2001
2005/0150738	A1	7/2005	Hallowell et al.	194/206	EP	1 209 639		5/2002
2005/0163361	A1	7/2005	Jones et al.	382/135	EP	1 528 513	A1	5/2005
2005/0163362	A1	7/2005	Jones et al.	382/137	FR	2042254		1/1971
2005/0169511	A1	8/2005	Jones	382/135	FR	70 11438		2/1971
2005/0173221	A1	8/2005	Maier et al.	194/207	GB	2 035 642		6/1980
2005/0183928	A1	8/2005	Jones et al.	194/207	GB	2 038 063		7/1980
2005/0207634	A1	9/2005	Jones et al.	382/135	GB	2 096 376		10/1982
2005/0213803	A1	9/2005	Mennie et al.	382/135	GB	2 175 427		11/1986
2005/0241909	A1	11/2005	Mazur et al.	194/207	GB	2 190 996		12/1987
2005/0249394	A1	11/2005	Jones et al.	382/135	GB	2 198 274		6/1988
2005/0256792	A1	11/2005	Shimizu et al.	705/35	GB	2 201 821	A	9/1988
2005/0265591	A1	12/2005	Jones et al.	382/135	GB	2 204 166		11/1988
2005/0276458	A1	12/2005	Jones et al.	382/135	GB	2 223 872		4/1990
2005/0278239	A1	12/2005	Jones et al.	705/35	GB	2 272 762		5/1994
2006/0010071	A1	1/2006	Jones et al.	705/42	GB	2458387	A	9/2009
2006/0054455	A1	3/2006	Kuykendall et al.	194/217	GB	2468783	A	9/2010
2006/0054457	A1	3/2006	Long et al.	194/347	JP	49-58899		6/1974
2006/0064379	A1	3/2006	Doran et al.	705/42	JP	50/158343		12/1975
2006/0078186	A1	4/2006	Freeman et al.	382/135	JP	52-014495		2/1977
2006/0149415	A1	7/2006	Richards	700/236	JP	52-71300		6/1977
2006/0182330	A1	8/2006	Chiles	382/135	JP	56-40992		4/1981
2006/0195567	A1	8/2006	Mody et al.	709/224	JP	57-117080		7/1982
2006/0205481	A1	9/2006	Dominelli	463/25	JP	59-79392		5/1984
2006/0207856	A1	9/2006	Dean et al.	193/302	JP	60-16271		2/1985
2006/0210137	A1	9/2006	Rateman et al.	382/135	JP	62-134168		8/1987
2006/0274929	A1	12/2006	Jones et al.	382/135	JP	62/134168		8/1987
2006/0283685	A1	12/2006	Cousin	194/217	JP	62-182995		8/1987
2007/0071302	A1	3/2007	Jones et al.	382/135	JP	62/182995		8/1987
2007/0076939	A1	4/2007	Jones et al.	382/135	JP	62-220843		9/1987
2007/0078560	A1	4/2007	Jones et al.	700/224	JP	62/221773		9/1987
2007/0095630	A1	5/2007	Mennie et al.	194/206	JP	62-166562		10/1987
2007/0112674	A1	5/2007	Jones et al.	705/45	JP	64/035683		2/1989
2007/0122023	A1	5/2007	Jenrick et al.	382/135	JP	64-042789		2/1989
2007/0172107	A1	7/2007	Jones et al.	382/137	JP	64-067698		3/1989
2007/0221470	A1	9/2007	Mennie et al.	194/216	JP	01-118995		5/1989
2007/0237381	A1	10/2007	Mennie et al.	382/135	JP	64-035683		6/1989
2009/0096205	A1*	4/2009	Brown et al.	283/67	JP	1/307891		12/1989

FOREIGN PATENT DOCUMENTS

CA	2143943	C	3/2003	JP	02/252096			10/1990
DE	660 354		5/1938	JP	03-012776			1/1991
DE	30 21 327		12/1981	JP	02-050793			2/1991
EP	0 071 421		2/1983	JP	3/63795			3/1991
EP	0 077 464		4/1983	JP	3/92994			4/1991
EP	0 083 062		7/1983	JP	03-156673			7/1991
EP	0 101 115		2/1984	JP	04-085695			3/1992
EP	0 109 743		5/1984	JP	41/75993			6/1992
EP	0 185 200		6/1986	JP	05-046839	A		2/1993
EP	0 253 935		1/1988	JP	05-217048	A		8/1993
EP	0 325 364		7/1989	JP	05-274527			10/1993
EP	0 338 123		10/1989	JP	06/035946			2/1994
EP	0 342 647		11/1989	JP	61/03285			4/1994
EP	0 351 217		1/1990	JP	06-035946			10/1994
EP	0 402 627		12/1990	JP	09-251566	A		9/1997
EP	0 578 875		1/1994	JP	62-221773			9/1997
EP	0 583 526		2/1994	JP	09251566			9/1997
EP	0 583 723		2/1994	JP	2000-167231	A		6/2000
EP	0 612 042		8/1994	JP	2002/117439			4/2002
EP	0 612 042	A2	8/1994	JP	2003/242287			8/2003
EP	0 613 107		8/1994	JP	2004-213188			7/2004
EP	0 633 552		1/1995	JP	2004/213188			7/2004
EP	0 633 553		2/1995	SE	44 244			9/1988
EP	0 671 696		9/1995	WO	WO 85/00909			2/1985
EP	0 718 809		6/1996	WO	WO 90/07165			6/1990
EP	0 718 809	A2	6/1996	WO	WO 91/06927	A1		5/1991
EP	0 667 973		1/1997	WO	WO 91/08952	A1		6/1991
EP	0 612 042	B1	6/1998	WO	WO 91/11778			8/1991
EP	0 926 634		6/1999	WO	WO 91/12594	A1		8/1991
EP	0 548 142		9/1999	WO	WO 91/18371	A1		11/1991
EP	0 548 142	B2	9/1999	WO	WO 92/08212	A1		5/1992
EP	0 708 419		1/2000	WO	WO 92/14221			8/1992
EP	0 708 419	B1	1/2000	WO	WO 92/17394			10/1992
EP	0 824 736		3/2000	WO	WO 92/20043	A1		11/1992
				WO	WO 92/20044	A1		11/1992

US RE44,252 E

Page 8

WO	WO 92/22044	A1	12/1992
WO	WO 93/00660	A1	1/1993
WO	WO 93/09621		5/1993
WO	WO 93/23824		11/1993
WO	WO 94/06101		3/1994
WO	WO 94/08319	A1	4/1994
WO	WO 94/16412		7/1994
WO	WO 94/19773		9/1994
WO	WO 94/23397	A1	10/1994
WO	WO 95/02226	A1	1/1995
WO	WO 95/04978	A1	2/1995
WO	WO 95/06920	A1	3/1995
WO	WO 95/24691		3/1995
WO	WO 95/09406	A1	4/1995
WO	WO 95/13596	A1	5/1995
WO	WO 95/19017	A1	7/1995
WO	WO 95/19019		7/1995
WO	WO 95/23387	A1	8/1995
WO	WO 96/10800		9/1995
WO	WO 95/30215	A1	11/1995
WO	WO 96/07163	A1	3/1996
WO	WO 96/07990	A1	3/1996
WO	WO 96/12253	A1	4/1996
WO	WO 96/27525	A1	9/1996
WO	WO 96/27859	A1	9/1996
WO	WO 96/36933		11/1996
WO	WO 97/22919	A1	6/1997
WO	WO 97/25692	A1	7/1997
WO	WO 97/29459		8/1997
WO	WO 97/30422		8/1997
WO	WO 97/43734		11/1997
WO	WO 97/45810		12/1997
WO	WO 98/12662		3/1998
WO	WO 98/13785		4/1998
WO	WO 98/24041		6/1998
WO	WO 98/24052		6/1998
WO	WO 98/24067		6/1998
WO	WO 98/35323		8/1998
WO	WO 98/40839		9/1998
WO	WO 98/47000		10/1998
WO	WO 98/47100		10/1998
WO	WO 98/48383		10/1998
WO	WO 98/48384		10/1998
WO	WO 98/48385		10/1998
WO	WO 98/50892		11/1998
WO	WO 98/51082		11/1998
WO	WO 98/59323		12/1998
WO	WO 99/00776		1/1999
WO	WO 99/06937	A1	2/1999
WO	WO 99/09511		2/1999
WO	WO 99/14668		3/1999
WO	WO 99/16027	A2	4/1999
WO	WO 99/21141	A1 *	4/1999
WO	WO 99/23601		5/1999
WO	WO 99/33030		7/1999
WO	WO 99/41695		8/1999
WO	WO 99/48040		9/1999
WO	WO 99/48042		9/1999
WO	WO 99/48057	A1	9/1999
WO	WO 99/48058	A1	9/1999
WO	WO 00/24572		5/2000
WO	WO 00/48911	A1	8/2000
WO	WO 00/65546	A1	11/2000
WO	WO 01/08108		2/2001
WO	WO 01/59685		8/2001
WO	WO 01/59723		8/2001
WO	WO 01/63565	A2	8/2001
WO	WO 02/29735		4/2002
WO	WO 02/32524	A1	4/2002
WO	WO 02/054360		7/2002
WO	WO 02/071343	A1	9/2002
WO	WO 03/005312		1/2003
WO	WO 03/028361		4/2003
WO	WO 03/029913		4/2003
WO	WO 03/030113		4/2003
WO	WO 03/052700	A3	6/2003
WO	WO 03/067532		8/2003
WO	WO 03/079300	A1	9/2003
WO	WO 03/085610	A1	10/2003

WO	WO 03/107280	A2	12/2003
WO	WO 03/107282		12/2003
WO	WO 2004/010367		1/2004
WO	WO 2004/025412	A2	3/2004
WO	WO 2004/027717		4/2004
WO	WO 2004/036508		4/2004
WO	WO 2004/038631		5/2004
WO	WO 2004/044853	A1	5/2004
WO	WO 2004/068422		8/2004
WO	WO 2004/109464	A3	12/2004
WO	WO 2005/013209	A2	2/2005
WO	WO 2005/017842	A1	2/2005
WO	WO 2005/028348	A2	3/2005
WO	WO 2005/029240	A2	3/2005
WO	WO 2005/036445	A1	4/2005
WO	WO 2005/041134	A2	5/2005
WO	WO 2005/076229	A1	8/2005
WO	WO 2005/088563	A1	9/2005
WO	WO 2006/039439	A2	4/2006
WO	WO 2006/076289	A2	7/2006
WO	WO 2006/076634	A2	7/2006
WO	WO 2006/086531	A1	8/2006
WO	WO 2007/035420	A2	3/2007
WO	WO 2007/120825	A2	10/2007

OTHER PUBLICATIONS

Jun. 12, 2006 Amendment Responsive to the Final Office Action Mailed Mar. 10, 2006 (From prosecution history of U.S. Appl. No. 10/198,872).

Jun. 29, 2006 Amendment Responsive to the Final Office Action Mailed Mar. 10, 2006 (From prosecution history of U.S. Appl. No. 10/198,872).

Notice of Allowance Mailed Oct. 19, 2007 (From prosecution history of U.S. Appl. No. 10/393,867).

Notice of Allowance and Fee(s) Due Mailed Sep. 18, 2007 (From prosecution history of U.S. Appl. No. 10/393,867).

Amendment Responsive to Non-Final Office Action Mailed Apr. 20, 2007 (From prosecution history of U.S. Appl. No. 10/393,867).

Advisory Action (From prosecution history of U.S. Appl. No. 10/198,872).

AFB Currency Recognition System (1982).

Amendment and Response to Final Office Action Dated Jan. 25, 2007 Mailed Mar. 26, 2007 (From prosecution history of U.S. Appl. No. 10/393,867).

Amendment and Response to Office Action Mailed Sep. 15, 2006 (From prosecution history of U.S. Appl. No. 10/198,872).

Amendment Responsive to Non/Final Office Action Mailed Apr. 20, 2007 (From prosecution history of U.S. Appl. No. 10/393,867).

Amiel Industries, brochure for "AI/1500 'Pulsar,'" 13 pages (no date).

Ascom, brochure for "Cashflow Emerald," 2 pages (no date).

ATS Money Systems, Inc, brochure entitled "The Cash Room Is History," 4 pages (no date).

Barton, Louis L, "Check Processing Operations," Chapter 8 and Appendix 2, pp. 119/140 and 225/231 (1994).

Brandt, Inc, advertisement entitled "Solving Problems, Pleasing Customers, Building Deposits" for System 930 Electric Counter/Sorter, 1 page (no date).

Brandt, Inc, brochure for "95 Series Coin Sorter/Counter," 2 pages (no date).

Brandt, Inc, brochure for "Model 1205 Coin Sorter/Counter," 2 pages (no date).

Brandt, Inc, brochure for "Model 1400 Coin Sorter/Counter," 2 pages (no date).

Brandt, Inc, brochure for "Model 817 Automated Coin And Currency Ordering System," 2 pages (no date).

Brandt, Inc, brochure for "Model 920/925," 2 pages (no date).

Brandt, Inc, brochure for "Model 940/6 High Speed Sorter/Counter," 2 pages (no date).

Brandt, Inc, brochure for "Model 952 Coin Sorter/Counter," 2 pages (no date).

Brandt, Inc, brochure for "Model 954 Coin Sorter/Counter," 2 pages (no date).

- Brandt, Inc, brochure for "Model 957 Coin Sorter/Counter," 2 pages (no date).
- Brandt, Inc, brochure for "Model 958 Coin Sorter/Counter," 5 pages (1982).
- Brandt, Inc, brochure for "Model 960 High/Speed Coin Sorter & Counter," 2 pages (no date).
- Brandt, Inc, brochure for "Model 966 Microsort™ Coin Sorter And Counter," 4 pages, 1979.
- Brandt, Inc, brochure for "Model 970 Coin Sorter & Counter," 2 pages (no date).
- Brandt, Inc, brochure for "System 945," 2 pages (no date).
- Brandt, Mach 7 High/Speed Coin Sorter/Counter, 2 pages (Apr. 1, 1993).
- Brandt, Model 8904 Upfeed, High Speed 4/Denomination Currency Dispenser, 2 pages (date prior to May 1996).
- Case/ICC Limited, brochure for "CDS Automated Receipt Giving Cash Deposit System," 3 pages (no date).
- Cash Depositing System CDS 5700 and CDS 5800 (Jan. 3, 1995).
- Cash Receipt System CRS/6501/CRS6510, IREIS (Feb. 1995).
- Cash, Martin, "Bank Blends New Technology With Service," Winnipeg Free Press, 1 page (Sep. 4, 1992).
- Cassius Elston, "No More Lines Self Serve Cash/Out," Drop Stream Developments, p1 (date prior to May 13, 1995).
- Childers Corporation, brochure and letter for "Computerized Sorter/Counter," 3 pages (Nov. 1981).
- Contomat (date prior to May 13, 1996).
- CTCoin, brochure for "CDS602 Cash Deposit System," 1 page (no date).
- Cummins Automated Money Processing Systems "No Wonder You Love It . . . It Was Designed For You!" / Advertising Sheet (undated), 1 page.
- Cummins JetSort® Coin Sorter/Counter Model 1760—Product Information Manual (undated), 2 page.
- Cummins JetSort® Communication Package for Models 1770 and 3000 Series JetSort (undated), 10 pages.
- Cummins JetSort® High Speed Coin Sorter/Counter Model 1701—Product Information Manual (1987) 6 pages.
- Cummins JetSort® Model 1701 With Jetstops Coinsorter Operating Instructions Manual (© 1984), 17 pages.
- Cummins JetSort® Operating Instructions for JetSort® Model CA/700/01 Coin Sorter/Counter (© 1982), 14 pages.
- Cummins Operating Instructions for JetSort Model 1765 (Apr. 14, 1989), 32 pages.
- Cummins/Allison Corp—"Talking JetSort 3000—Listen to what JetSort has to say!" (date unknown), 1 page.
- Cummins/Allison Corp—"Money Processing Made Easy The cost/effective counting pair for increased . . . Speed, Accuracy and Ease/of/Operation in all coin and currency processing installations" (1st print Jun. 1983), 2 pages.
- Cummins/Allison Corp—"The Universal Solution to All Coin and Currency Processing Needs" (final print Mar. 1983), 1 page.
- Cummins/Allison Corp—"Time for A Change—Be A Smashing Success!" (dated Jun. 1988), 1 page.
- Cummins/Allison Corp—"Time for A Change—JetSort® vs Brandt X" (dated Jun. 1988), 1 page.
- Cummins/Allison Corp—"Time for A Change—No Coins Sorted After 3:00 or on Saturday" (dated Jun. 1988), 1 page.
- Cummins/Allison Corp—"What do all these Banks have in Common . . . ? They all rely on Cummins Quality Products" (1st print Aug. 1982), 3 pages.
- Cummins/Allison Corp / AMS Cummins Automated Money Systems—Case Study "Cummins Money Processing System Boosts Teller Service at University State Bank", (1st print Nov. 1981), 1 pages.
- Cummins/Allison Corp / AMS Cummins Automated Money Systems—Case Study "6,000 Coin Per Minute Counter/Sorter Keeps Pace With Fifth/Third Bank's Money Processing Needs", (1st print Mar. 1982), 1 pages.
- Cummins/Allison Corp—AMS Cummins Automated Money Systems—Case Study "JetSort® Gives Bank Coin Service Edge", (1st print Apr. 1982), 1 pages.
- Cummins/Allison Corp—AMS Cummins Automated Money Systems—Case Study "High Speed Coin Processing Power at Covenco Vending" (1st print Jul. 1983), 1 pages.
- Cummins/Allison Corp—Enhanced Electronics For the JetSort® 3200 (dated Apr. 1989), 1 page.
- Cummins/Allison Corp—General Services Administration—Office of Federal Supply Services—Authorized Federal Supply Schedule Price List—Catalog (1st print Jun. 1986—obsolete Jul. 1987), 32 pages.
- Cummins/Allison Corp—High Speed Coin Sorter & Counter for Payphone Applications (dated Mar. 1990), 2 pages.
- Cummins/Allison Corp—Product Information for JetSort® 3000, "Breakthrough Technology 3,000 Coin per Minute" 9995% Accurate (dated Mar. 1988), 2 pages.
- Cummins/Allison Corp—Product Information for JetSort® 3000, 3,000 Coin per Minute Sorter/Counter "Special Preview" (dated Nov. 1987), 1 page.
- Cummins/Allison Corp—Product Information for JetSort® Coin Sorter/Counter Model 1760 (dated Jul. 1985), 2 page.
- Cummins/Allison Corp—Product Information for JetSort® Coin Sorter/Counter Model 1765 (dated Apr. 1989), 1 page.
- Cummins/Allison Corp—Product Information for JetSort® High Speed Coin Sorter/Counter—the JetSort Model 1770 (dated Oct. 1986), 1 page.
- Cummins/Allison Corp—Product Information Sheet for JetSort® High Speed Coin Sorters 3000 Series (undated) 2 page.
- Cummins/Allison Corp "Count on Cummins"—Product Information JetSort—With Adjustable Bag Stops! Perfect for Dollar Bill Validators (dated Apr. 1987), 3 pages.
- Cummins/Allison Corp JetSort® Parts & Service Manual for Model CA/1701 (© 1987).
- Cummins/Allison Corp—JetSort® Series V, High Speed Coin Sorter/Counter (dated Sep. 1990), 2 pages.
- Cummins/Allison Corp Operating Instruction for JetSort (© 1980), 54 pages.
- Cummins/Allison Corp Operator's Manual for JetSort® High Speed Coin Sorter/Counter 3000 Series (undated), 60 pages.
- Cummins/Allison Corp Product Information Sheet for Model 1701 (1st print Jul. 1985), 2 pages.
- Cummins/Allison Corp Product Information Sheet for Model CA/701 (1st print Jul. 1983), 2 pages.
- Cummins/Allison Corp, brochure entitled "Cash Information & Settlement Systems," 4 pages (no date).
- Cummins/Allison Corp, brochure entitled "State/Of/The/Art Coin Processing Comes Of Age," 2 pages (no date).
- Cummins/Allison Corp, brochure for "CA/750 JetSort Coin Processor," 1 page (no date).
- Cummins/Allison Corp, brochure for "High Speed Coin Sorter/Counter 2000 Series," 2 pages (no date).
- Cummins/Allison Corp, Operating Instructions for JetScan Currency Scanner/Counter, Model 4061 (Apr. 20, 1993).
- Cummins/Allison Corp, Operating Instructions for JetScan Currency Scanner/Counter, Model 4062 (Nov. 28, 1994).
- Cummins/Allison Corp, Operating Instructions for JetSort® High Speed Sorter/Counter (Kits I & J), 11 pages (1993).
- Cummins/Allison Corp, Operator's Manual for JetScan Currency Scanner/Counter, Model 4060 (Aug. 1991).
- Cummins/Allison Corp, Sale of JetScan Currency Scanner/Counter, Model 4060 (Aug. 1991).
- Cummins/Allison Corp, Sale of JetScan Currency Scanner/Counter, Model 4061 (Apr. 20, 1993).
- Cummins/Allison Corp, Sale of JetScan Currency Scanner/Counter, Model 4062 (Nov. 28, 1994).
- Currency Systems PCT, CPS 600 and CPS 900 (estimated 1994).
- Currency Systems PCT, Medium Speed Currency Sorting Family, CPS 600 and CPS 900, 4 pages (1994).
- Currency Systems PCT, Mr W Kranister in Conversation With Richard Haycock, pp. 1/5 (estimated 1994).
- Currency Systems PCT/Currency Processing Systems, CPS 300, 4 pages (1992).
- De La Rue Garmy GmbH, brochure and translation for "Cash Depositing Systems CDS 5700 and CDS 5800," 7 pages (no date).

- De La Rue Garny GmbH, brochure for "Cash Deponier System CDS 500," 6 pages (no date).
- Declaration of Douglas Mennie (From prosecution history of U.S. Appl. No. 10/198,872).
- Diebold, article entitled "Merchant MicroBranch Combines ATM, After/Hour Depository, Rolled/Coin Dispenser," 1 page (Nov. 1997).
- Examiner Interview Summary (From prosecution history of U.S. Appl. No. 10/198,872).
- FaGBS/Geldbearbeitungssysteme, "Technical Specifications GBS9401 SB," 24 pages (no date).
- Final Office Action Mailed Jan. 25, 2007 (From prosecution history of U.S. Appl. No. 10/393,867).
- Final Office Action Mailed Jun. 5, 2007 (From prosecution history of U.S. Appl. No. 10/198,872).
- Frisco Bay, brochure for "Commercial Kiosk," 4 pages (no date).
- Glory (USA) Inc, brochure for "AMT Automated Merchant Teller," 4 pages (no date).
- Glory (USA) Inc, brochure for "SR/700 Cash Settlement System," 4 pages (no date).
- Glory, GFB/200/210/220/230, Desk/Top Bank Note Counter, 2 pages (estimated date prior to Aug. 9, 1994).
- Glory, The New CRS/8000 Cash Redemption System (date prior to May 13, 1996).
- Glory, UF/1D, 2 pages (estimated date prior to Aug. 9, 1994).
- Hamilton, brochure for "Hamilton's Express Banking Center," 4 pages (no date).
- ISH Electronic, brochure and translation for "ISH 12005/501 Self/Service Unit," 4 pages (no date).
- ISH 12005/500 SB/Münzähler (date prior to May 13, 1996, with translation).
- Mosler, Inc, "The Mosler/Toshiba CF/420" (1989).
- NamSys Inc, brochure for "NamSys Express™," 2 pages (no date).
- NGZ 2100 (date prior to May 13, 1996).
- PREMA 405(RE) Self Service Coin Deposit Facility (date prior to May 13, 1996).
- Reis Eurosystems, brochure for "CS 3510/Disc/Sorter," 1 page (no date).
- Reis Eurosystems, brochure for "The New Standard/Class Coin Deposit Systems," 1 page (no date).
- Response to Final Office Action Mailed Jun. 5, 2007 (From prosecution history of U.S. Appl. No. 10/198,872).
- Response to Office Action Dated Sep. 20, 2006 Mailed Dec. 20, 2006 (From prosecution history of U.S. Appl. No. 10/393,867).
- Response to Office Action Mailed Dec. 16, 2004 (From prosecution history of U.S. Appl. No. 10/198,872).
- Response to the Office Action Mailed Jul. 29, 2004 (From prosecution history of U.S. Appl. No. 10/198,872).
- Response to the Office Action Mailed Oct. 20, 2005 (From prosecution history of U.S. Appl. No. 10/198,872).
- Royal Bank, article by Carolyn Leitch entitled "High/Tech Bank Counts Coins," 2 page (Sep. 18, 1991).
- Royal Bank, article by Jade Hemeon entitled "Royal's Burlington Drive/In Bank Provides Customers 24/Hour Tellers," The Toronto Star, 1 page (Aug. 21, 1991).
- Royal Bank, article by Murray Oxby entitled "Royal Bank Opens 'Super Branch,'" The Gazette Montreal, 1 page (Sep. 14, 1991).
- Royal Bank, brochure for "SuperBranch," 2 pages (Feb. 1992).
- Scan Coin AB, "PCT Report," 49 pages (Apr. 1987).
- Scan Coin AB, brochure for "CDS Cash Deposit System," 6 pages (no date).
- Scan Coin AB, brochure for "Money Processing Systems," 8 pages (no date).
- Scan Coin AB, brochure for "Scan Coin World," 2 pages (Feb. 1988).
- Scan Coin AB, Technical Manual for "Cash Deposit System Model CDS 600 & CDS 640," 45 pages (no date).
- Scan Coin AB, Technical Manual for "CDS MK1 Coin Deposit System," 32 pages (1991).
- Scan Coin AB, Technical Manual for "SC 102 Value Counter," 28 pages (no date).
- Scan Coin AB, Technical Referens Manual for "CDS Coin Deposit System," 47 pages (1989).
- Scan Coin AB, User's Manual for "CDS 600," 23 pages (no date).
- Scan Coin CDS 640 Cash Deposit System (Jun. 15, 1994).
- Siemens Nixdorf Informationssysteme AG, brochure for "ProCash CRS," 4 pages (1997).
- Toshiba Corporation, brochure for "CF/400 Series," 6 pages (no date).
- Toshiba/Mosler, Operator's Manual for CF/420 Cash Settlement System, pp. 1/C/3 (1989).
- Toshiba/Mosler, revised drawings of portions of CF/420 Cash Management System (FIGS A/C) and description of same (1989).
- Amendment Request Reconsideration After Non/Final Rejection, Aug. 6, 2009, U.S. Appl. No. 12/025,613.
- Amendment Request Reconsideration After Non Final Rejection, Jan. 28, 2010, U.S. Appl. No. 12/025,613.
- Examiner Search Results, Oct. 29, 2009, U.S. Appl. No. 12/025,613.
- Examiner Search Results, May 1, 2009, U.S. Appl. No. 12/025,613.
- Final Rejection, Mar. 11, 2010, U.S. Appl. No. 12/025,613.
- Non/Final Rejection, May 1, 2009, U.S. Appl. No. 12/025,613.
- Non/Final Rejection, Oct. 29, 2009, U.S. Appl. No. 12/025,613.
- Appeal Brief Filed, Nov. 5, 2009, U.S. Appl. No. 11/803,281.
- Affidavit/Dec Exhibit After Notice of Appeal, Nov. 5, 2009, U.S. Appl. No. 11/803,281.
- Advisory Action, Aug. 12, 2009, U.S. Appl. No. 11/803,281.
- Application Arguments Remarks Made In Amendment, Jul. 24, 2009, U.S. Appl. No. 11/803,281.
- Examiners Results, Apr. 23, 2009, U.S. Appl. No. 11/803,281.
- Applicant Argument Remarks Made In Amendment, Feb. 12, 2009, U.S. Appl. No. 11/803,281.
- Non/Final Rejection, Oct. 17, 2008, U.S. Appl. No. 11/803,281.
- Examiners Results, Oct. 17, 2008, U.S. Appl. No. 11/803,281.
- Examiners Results, Jun. 17, 2008, U.S. Appl. No. 11/803,281.
- Amendment Reconsideration After/Non Final Rejection, Jan. 27, 2010, U.S. Appl. No. 11/803,381.
- Non/Final Rejection, Aug. 12, 2009, U.S. Appl. No. 11/803,381.
- Amendment Submitted Entered With Filing of CPA/RCE, Jun. 30, 2009, U.S. Appl. No. 11/803,381.
- Final Rejection, Mar. 30, 2009, U.S. Appl. No. 11/803,381.
- Amendment Reconsideration After Non/Final Rejection, Jan. 23, 2009, U.S. Appl. No. 11/803,381.
- Non/Final Rejection, Sep. 24, 2008, U.S. Appl. No. 11/803,381.
- Applicant Response To Pre/Exam Formalities/Notice, Aug. 17, 2007, U.S. Appl. No. 11/803,381.
- Notice of Appeal Filed, Feb. 8, 2010, U.S. Appl. No. 11/803,365.
- Final Rejection, Nov. 9, 2009, U.S. Appl. No. 11/803,365.
- Amendment Reconsideration Authorization for Extension, Jul. 14, 2009, U.S. Appl. No. 11/803,365.
- Non/Final Rejection, Apr. 14, 2009, U.S. Appl. No. 11/803,365.
- Amendment Reconsideration After Non/Final, Jan. 21, 2009, U.S. Appl. No. 11/803,365.
- Non/Final Rejection, Oct. 20, 2008, U.S. Appl. No. 11/803,365.
- Applicant Response to Pre/Exam Formalities, Aug. 17, 2007, U.S. Appl. No. 11/803,365.
- Examiners Answer To Appeal Brief, Mar. 2, 2010, U.S. Appl. No. 11/803,366.
- Appeal Brief Filed, Nov. 16, 2009, U.S. Appl. No. 11/803,366.
- Appeal Brief Filed Oct. 8, 2009, U.S. Appl. No. 11/803,366.
- Affidavit/Dec Exhibit After Notice of Appeal, Oct. 8, 2009 U.S. Appl. No. 11/803,366.
- Notice of Appeal Filed Extension of Time, Aug. 11, 2009, U.S. Appl. No. 11/803,366.
- Advisory Action Aug. 10, 2009, U.S. Appl. No. 11/803,366.
- Amendment After Final Jul. 20, 2009, U.S. Appl. No. 11/803,366.
- Final Rejection Apr. 20, 2009, U.S. Appl. No. 11/803,366.
- Amendment Reconsideration After Non/Final Rejection Jan. 23, 2009, U.S. Appl. No. 11/803,366.
- Non/Final Rejection Sep. 23, 2008, U.S. Appl. No. 11/803,366.
- Preliminary Amendment May 14, 2007, U.S. Appl. No. 11/803,366.
- Non Final Rejection Dec. 8, 2009, U.S. Appl. No. 11/726,828.
- Amendment Reconsideration After Non/Final Sep. 2, 2009, U.S. Appl. No. 11/726,828.
- Application Response To Pre Exam Formalities, Jun. 29, 2007, U.S. Appl. No. 11/726,828.
- Pre/Exam Formalities Notice May 1, 2007, U.S. Appl. No. 11/726,828.

US RE44,252 E

Page 11

Office Action dated Jul. 31, 2007 (From prosecution history of U.S. Appl. No. 10/084,856).
Office Action dated Mar. 10, 2006 (From prosecution history of U.S. Appl. No. 10/198,872).
Office Action Mailed Apr. 20, 2007 (From prosecution history of U.S. Appl. No. 10/393,867).
Office Action Mailed Dec. 16, 2004 (From prosecution history of U.S. Appl. No. 10/198,872).
Office Action Mailed Jul. 29, 2004 (From prosecution history of U.S. Appl. No. 10/198,872).
Office Action Mailed Oct. 20, 2005 (From prosecution history of U.S. Appl. No. 10/198,872).
Office Action Mailed Sep. 15, 2006 (From prosecution history of U.S. Appl. No. 10/198,872).
Office Action Mailed Sep. 20, 2006 (From prosecution history of U.S. Appl. No. 10/393,867).
Preliminary Amendment Mailed Oct. 16, 2007 (From prosecution history of U.S. Appl. No. 10/393,867).
Notice of Allowance (U.S. Appl. No. 11/434,092).
Response to Final Office Action (U.S. Appl. No. 11/434,092).
Final Office Action (U.S. Appl. No. 11/434,092).
Response to Non/Final Office Action (U.S. Appl. No. 11/434,092).
Non/Final Office Action (U.S. Appl. No. 11/434,092).
Response to Non/Final Office Action Mailed Aug. 21, 2008 (U.S. Appl. No. 11/434,092).
Non/Final Office Action Mailed Aug. 21, 2008 (U.S. Appl. No. 11/434,092).
Final Office Action Mailed Mar. 11, 2010 (U.S. Appl. No. 12/025,613).
UK Search Report claims 1/12, 25/31 and 46/59.

UK Search Report claims 13/16.
UK Search Report claims 39/45 and 65/84.
UK Search Report claims 19/24, 32/38 and 60/64.
UK Search Report claims 16A/18.
Complaint, Cummins—*Allison Corp. v. Glory Ltd., Glory Shoji Co. Ltd., and Glory* (U.S.A. Inc., Civil Action No. 02C-7008, United States District Court, Northern District of Illinois, Eastern Division.
Billcon Corporation, Brochure for CCS-60/CCS-80 Series Coin Counter-Sorter, 2 pages (Oct. 1999).
Billcon Corporation, Photos for CCS-60/80, 1 page (Japanese language)(Oct. 12, 2000).
De La Rue Cash Systems, Inc., Brochure for ACD Automatic Coin Dispenser, 2 pages (no date).
De La Rue Cash Systems, Brochure for MACH 12 Coin Sorter/Counter, 2 pages (1999).
De La Rue Cash Systems, Brochure for MACH 12HD Coin Sorter/Counter, 2 pages (no date).
Glory, Brochure for GSA-500 Sortmaster, 2 pages (no date).
Magner, Brochure for Coinstream™ CPS 502 Self-Service Coin Processing System, 2 pages (no date).
Magner, Brochure for MAG II 100 Series Coin Sorters, 2 pages (no date).
Magner, Brochure for MAG II Model 915 Coin Counter/Packager, 2 pages (no date).
Magner, Brochure for Pelican 305 Coin Sorter, 2 pages (no date).
Magner, Brochure for 900 Series Coin Counters and Packagers, 2 pages (no date).

* cited by examiner

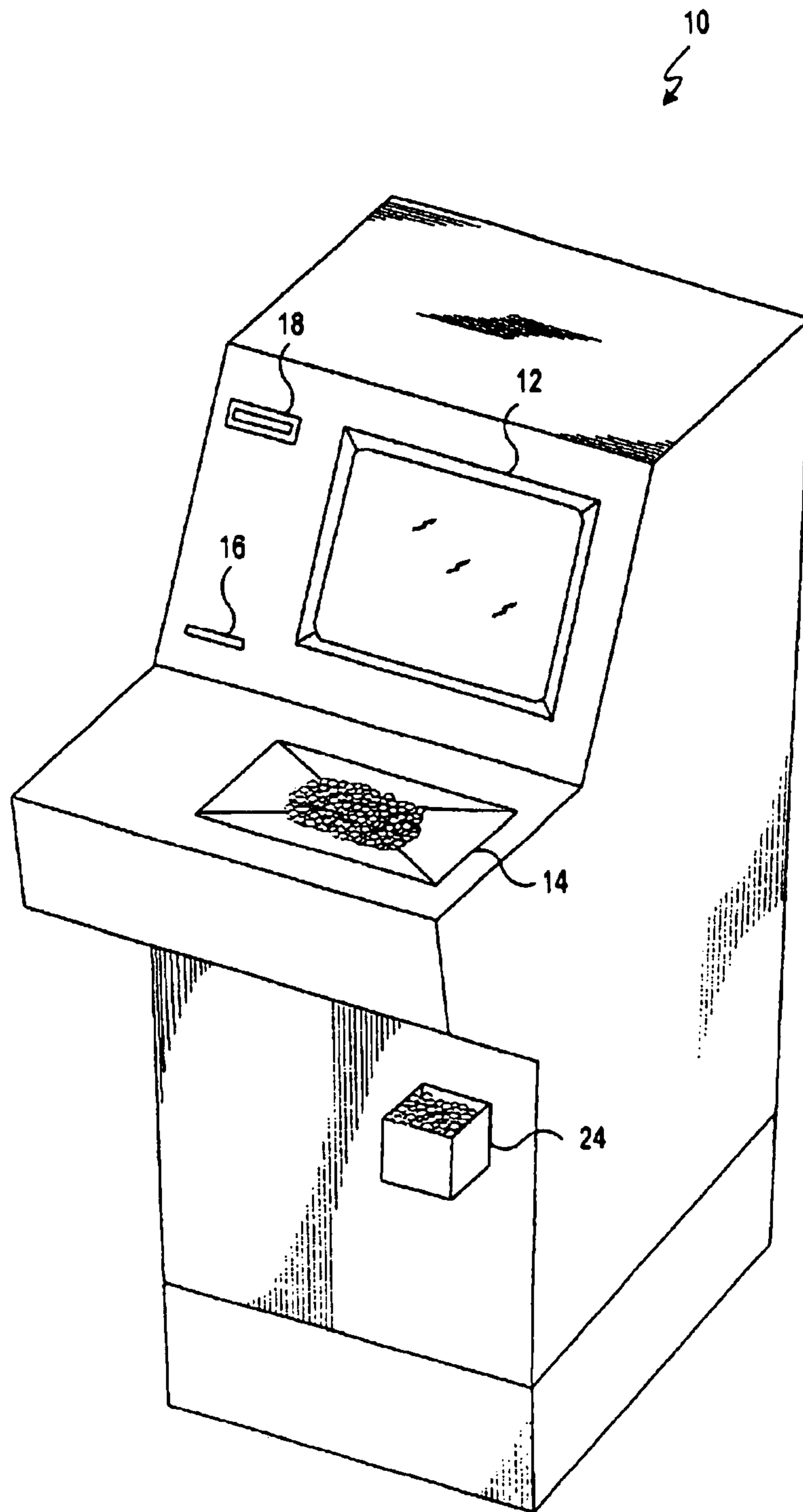


FIG. 1

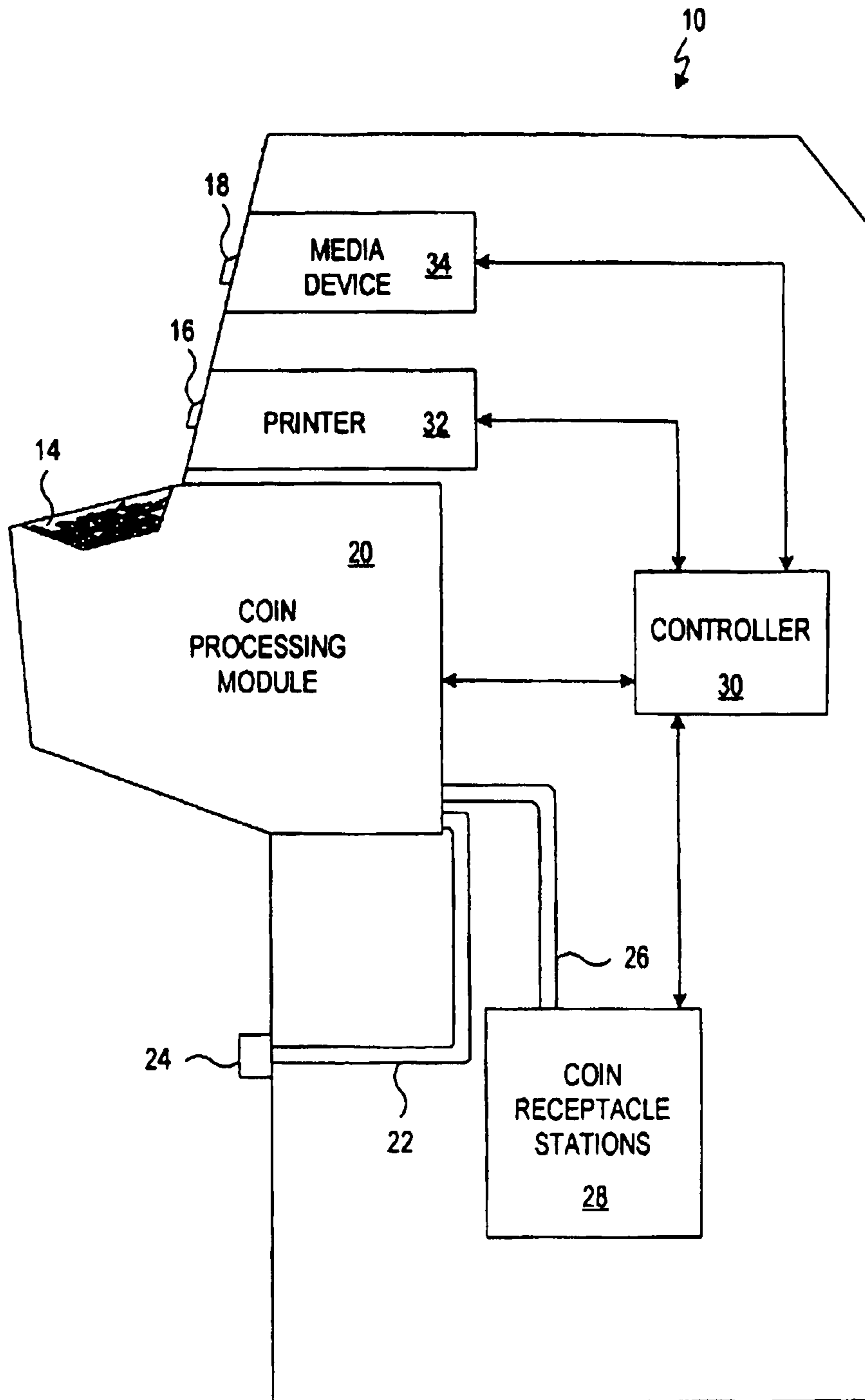


FIG. 2

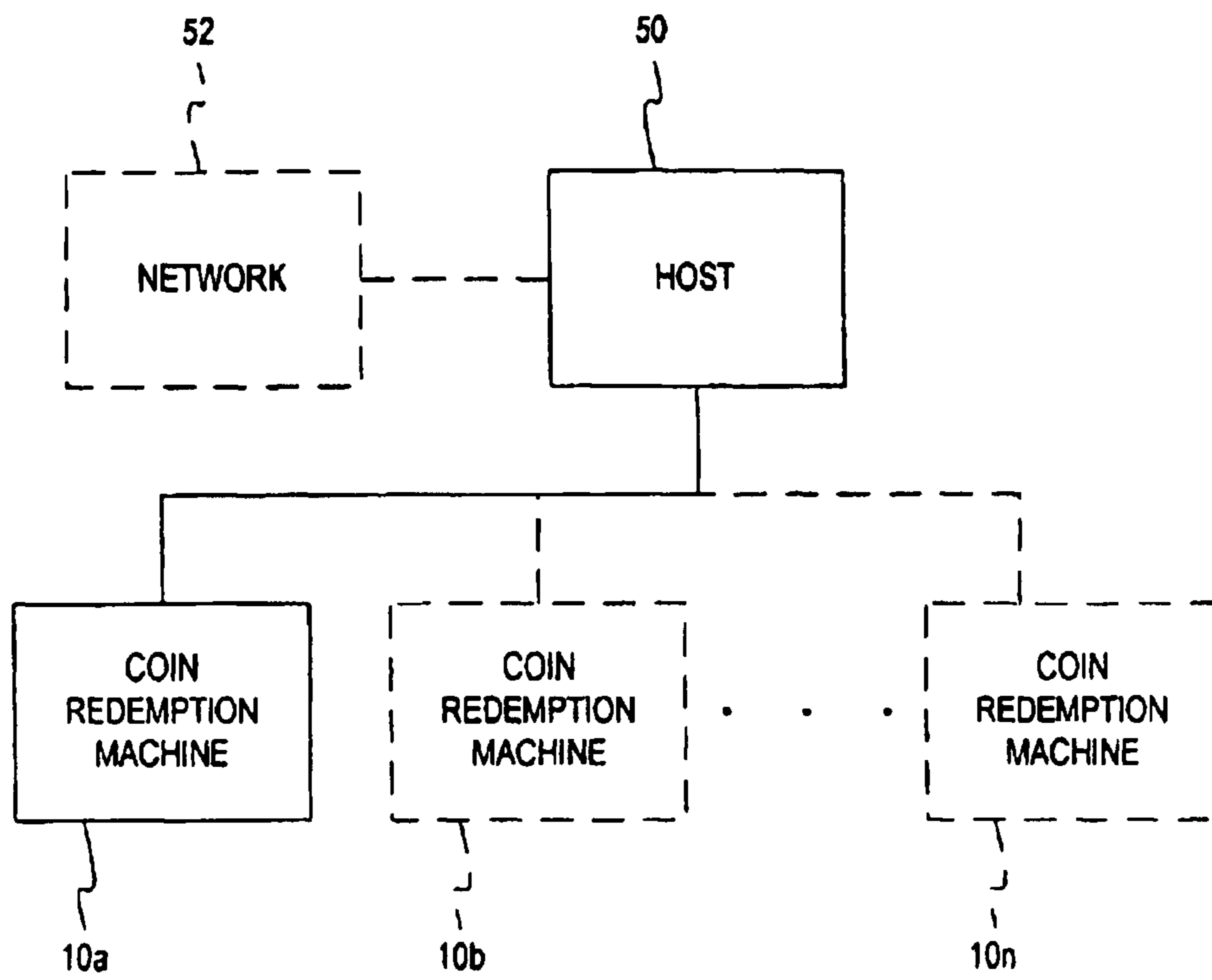


FIG. 3

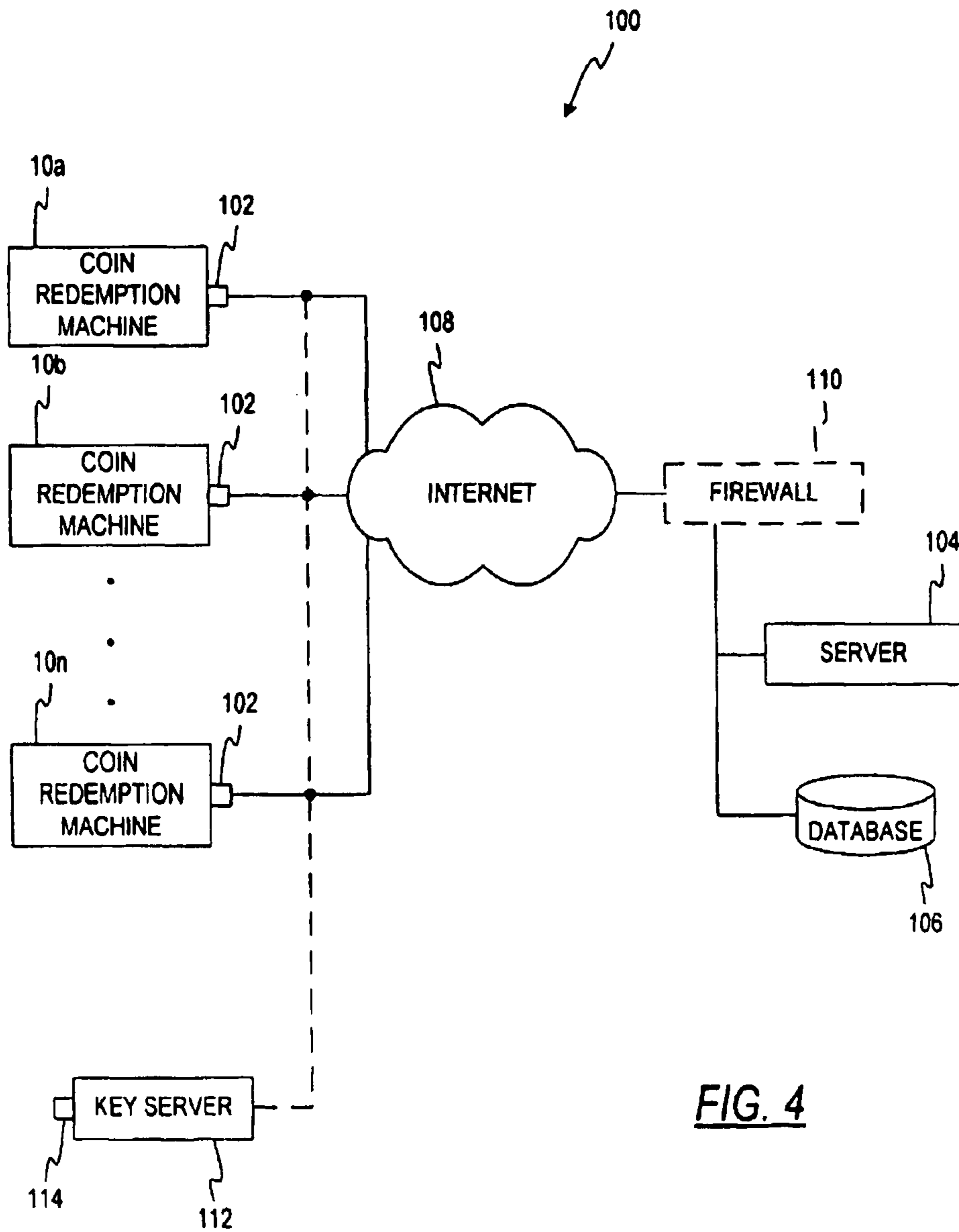


FIG. 4

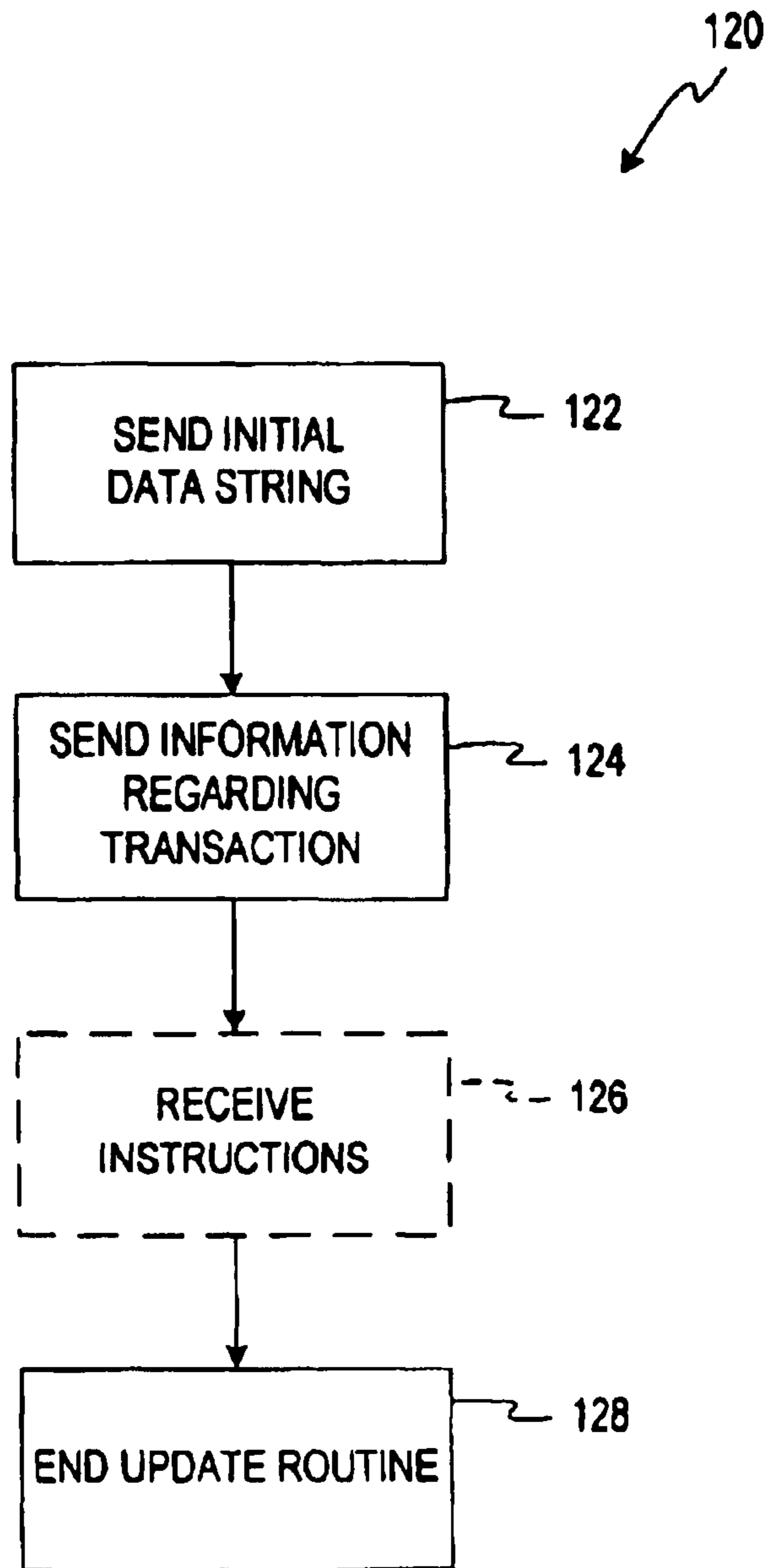


FIG. 5

COIN REDEMPTION SYSTEM

Matter enclosed in heavy brackets [] appears in the original patent but forms no part of this reissue specification; matter printed in italics indicates the additions made by reissue.

CROSS-REFERENCE TO RELATED APPLICATIONS

The present invention claims priority to U.S. Provisional Patent Application Ser. Nos. 60/347,476 and 60/364,628, each of which is incorporated herein by reference in its entirety. U.S. Provisional Patent Application Ser. No. 60/347,476, titled "Coin Redemption System," was filed on Jan. 10, 2002. U.S. Provisional Patent Application Ser. No. 60/364,628, titled "Coin Redemption System," was filed on Mar. 15, 2002.

FIELD OF THE INVENTION

The present invention relates generally to currency processing machines, and, in particular, to a coin redemption system that processes coins of mixed denominations and outputs a receipt indicative of the value of the processed coins that is redeemable for currency bills.

BACKGROUND OF THE INVENTION

Coin processing machines generally have the ability to receive bulk coins from a user of the machine. Coin processing machines include a redemption type of machine wherein, after the deposited coins are counted, a receipt is issued indicating the value of the deposited coins. The user may redeem this receipt for the amount of deposited coins in the form of currency bills. In other embodiments, the receipt is redeemed for the amount of the deposited coins less a commission charged for use of the coin redemption machine.

Prior art coin redemption machines are commonly used in a banking environment and/or a retail environment such as a grocery store. In operation, a user inputs (i.e., deposits) a batch of coins of mixed denominations into a hopper of the coin redemption machine. The machine determines the value of the deposited coins and outputs a receipt indicative of the determined amount. In some embodiments, the receipt also indicates a second, lesser amount, which reflects a commission charged for use of the machine. The user redeems the receipt for paper currency for the value of the deposited coins less the commission. For example, in a banking environment, a user redeems the receipt at the teller's window. In a retail environment, the user can redeem the receipt at a cashier's station or a customer-service station.

One disadvantage associated with prior art coin redemption machines is the potential for fraud which exists with current receipt-type systems. For example, a receipt can be duplicated (i.e., counterfeited) and then redeemed more than once resulting in a loss for that particular store. Furthermore, if the receipt is lost by the user or is stolen from the user, the prior art machines fail to provide any manner for the user to recover their funds. Someone who has stolen or found the receipt can simply redeem the receipt from the retailer's cashier and receive the cash payment.

Accordingly, there exists a need for a coin redemption system that provides security measures to guard against the unauthorized reproduction of redeemable receipts issued by the coin redemption machine. Further, there exists a need for

a coin redemption system that provides security measures to guard against the unauthorized redemption of otherwise valid receipts.

SUMMARY OF THE INVENTION

According to one embodiment of the present invention, a coin redemption system, in which a user deposits a batch of mixed coins of a plurality of denominations, comprises a coin input area for receiving a batch of mixed coins from a user of the coin redemption system, a coin processing unit coupled to the coin input area for determining the aggregate value of the coins received from the user, a controller for assigning a transaction number corresponding to the batch of received coins, a first printer for printing a receipt indicative of the determined value and the assigned transaction number, an output device disposed in a redemption area for displaying the assigned transaction number and the determined value.

The above summary of the present invention is not intended to represent each embodiment, or every aspect, of the present invention. Additional features and benefits of the present invention will become apparent from the detailed description, figures, and claims set forth below.

BRIEF DESCRIPTION OF THE DRAWINGS

FIG. 1 is a perspective view of a coin redemption machine according to one embodiment of the present invention.

FIG. 2 is a side view of the coin redemption machine shown in FIG. 1 which schematically illustrates the components present in the coin redemption machine according to one embodiment of the present invention.

FIG. 3 schematically illustrates a plurality of coin redemption machines in communication with a network according to an alternative embodiment of the present invention.

FIG. 4 is a block diagram illustrating component and connections in a redemption network according to an alternative embodiment of the present invention.

FIG. 5 is a block diagram of a coin redemption network update routine according to an alternative embodiment of the present invention.

While the invention is susceptible to various modifications and alternative forms, specific embodiments are shown by way of example in the drawings and are described in detail herein. It should be understood, however, that the invention is not intended to be limited to the particular forms disclosed. Rather, the invention is to cover all modifications, equivalents, and alternatives falling within the spirit and scope of the invention as defined by the appended claims.

DETAILED DESCRIPTION OF THE ILLUSTRATED EMBODIMENTS

Referring to the drawings and, initially, to FIG. 1, a coin redemption machine **10** according to one embodiment of the present invention includes a touch screen **12** to provide inputs from a machine user and also to display outputs to be viewed by the user. While the touch screen **12** is the preferred mode to enter data from the user of the coin redemption machine **10**, the coin redemption machine **10** may also include a mechanical keyboard or buttons to receive such inputs.

The coin redemption machine **10** includes a coin input area **14** which receives coins of mixed denominations from a user. The coin input area **14** allows the user of the currency processing machine **10** to deposit the user's coins which will ultimately be converted to some other sort of fund source (i.e., currency bills, credit to a smartcard, credit to an account,

credit for purchases in the store containing the redemption machine 10, etc.) that is available to the user.

According to the embodiment of the coin redemption machine 10 illustrated in FIG. 1, the coin input area 14 is generally funnel-shaped to direct coins to a coin processing area within the machine 10. According to an alternative embodiment of the coin redemption machine 10, the coin input area 14 includes a coin tray that is pivotable from a first position, wherein the coin tray is substantially horizontal, to a second position, wherein the coin tray is lifted causing the coins to slide under the force of gravity into the coin redemption machine 10. A coin tray similar to that described which may be used in connection with the coin input area 14 of the coin redemption machine 10 is described in greater detail in U.S. Pat. No. 4,964,495 entitled "Pivoting Tray For A Coin Sorter," which issued on Oct. 23, 1990 and is incorporated herein by reference in its entirety.

The currency processing machine 10 further includes a paper dispensing slot 16 for providing a user with a receipt of the transaction that the user has performed. The receipt issued by the coin redemption machine 10 is described in greater detail below according to several alternative embodiments of the present invention.

In its simplest form, the coin redemption machine 10 receives coins via the coin input receptacle 14, and after these deposited coins have been authenticated and counted, the currency redemption machine 10 outputs a receipt to the user indicative of the dollar amount of the deposited coins. For example, the user of the currency processing machine 10 may input \$20.50 in various coins and the coin redemption machine 10 prints a receipt indicating that \$20.50 worth of coins have been processed. The user can redeem the receipt for funds from an attendant of the coin redemption machine 10. An attendant may include a store employee such as a cashier at a grocery store or a teller at a bank. Alternatively, the user can redeem the receipt for credit towards purchases at the store where the machine is located and/or in exchange for merchandise at the store. Alternatively still, the currency processing machine 10 credits a user's account such as a bank account or an account associated with a store credit card, a store "rewards" program card or a coupon-type card which a user produces at the time of purchase for discounts. Further, in other embodiments, a commission may be charged for use of the machine. Alternatively still, a bonus may be added onto the amount redeemed. For example, a store may desire to have a promotion to attract users into a store whereby an amount (e.g., a percentage of the coins processed) in addition to the dollar amount of coins processed which is credited towards purchases at the store. Additionally, in other alternative embodiments of the coin redemption machine 10, the receipt includes other information such as a transaction number and/or totals for each coin denomination.

The coin redemption machine 10 also includes a media slot 18 into which the user may insert an account card (e.g., a bank card such as an ATM card, an identification card including the type distributed by grocery stores, smartcards, etc.). The media slot is coupled to a media reader/writer device 34 (FIG. 2) in the coin redemption machine 10 that is capable of reading from or writing to one or more types of media including ATM cards, credit cards, smartcards or other types of media cards. This media may include various types of memory storage technology such as magnetic storage, solid state memory devices and optical devices. The touch screen 12 typically provides the user with a menu of options which prompts the user to carry out a series of actions for identifying

the user by displaying certain commands and requesting that the user depress touch keys on the touch screen 12 (e.g., a user PIN, account number, etc.).

FIG. 2 illustrates a side view of the coin redemption machine 10. The coin redemption machine 10 includes a coin processing module 20. The coin processing module 20 counts and authenticates coins of mixed denominations that are deposited in the coin input receptacle 14, which leads directly into the coin processing module 20. The coins may also be sorted in the coin processing module 20 in a variety of ways such as by sorting based on the diameter of the coins. When a coin can not be authenticated by the coin processing module 20, that coin is directed through a coin reject tube 22 which leads to the rejected coin receptacle 24 which allows the user who has deposited such a non-authenticated coin to retrieve the coin by accessing the dispensed coin receptacle 24. Alternatively, non-authenticated coins may be routed to a reject coin bin (not shown) disposed within the coin redemption machine 10 and are not returned to the user. Disk-type coin sorters and authenticating devices which can perform the function of the coin processing module 20 of the coin redemption machine 10 are disclosed in U.S. Pat. Nos. 5,299,977, 5,453,047, 5,507,379, 5,542,880, 5,865,673 and 5,997,395, each of which is incorporated herein by reference in its entirety. Alternatively, other coin sorters such as rail sorters can be used to perform the function of the coin processing module 20. A rail sorter that can perform the function of the coin processing module 20 of the coin redemption machine 10 according to an alternative embodiment of the present invention is described in U.S. Pat. No. 5,382,191 entitled "Coin Queuing Device And Power Rail Sorter," which is incorporated herein by reference in its entirety.

The coin processing module 20 outputs the authenticated coins via one or more exit channels (not shown). According to one embodiment, each coin exit channel is coupled to a coin tube 26 which is coupled to a coin receptacle station 28. The coin tube 26 leads to coin receptacle station 28 for each of the coin denominations that are to be sorted and authenticated by the coin processing module 20. The coin receptacle station 28 includes coin bags or bins for holding each sorted coin denomination. Other coin distribution schemes are implemented in alternative embodiments of the present invention. Many alternative coin distribution schemes are described in greater detail in U.S. Pat. No. 6,318,537 B1 entitled "Currency Processing Machine With Multiple Internal Coin Receptacles," which is incorporated herein by reference in its entirety.

The currency processing machine 10 includes a controller 30 which is coupled to the coin processing module 20, a printer 32 for outputting a receipt via the paper dispensing slot 16, and a media reader/writer device 34 for receiving media via the media slot 18 within the currency processing machine 10 and controls the interaction among these units. For example, the controller 30 may review the input totals from the coin processing module 20 and direct the printer 32 to output a receipt indicative of the total amount or direct the media reader/writer device 34 to credit a smartcard for the values of the processed coins.

In an alternative embodiment of the coin redemption machine 10, the coin processing module 20 only counts the coins and does not store the coins in a sorted fashion. Or, the coin processing module 20 may tabulate the value of the coins that are processed without ever sorting them. In either of these situations, the coins are sent from the coin processing module 20 to a single coin receptacle station 28 that commingles the processing coins. Because the coins are not being sorted by

5

denomination in this embodiment, the coin redemption machine **10** only requires one receptacle station **28** for collecting all of the mixed coins.

Referring now to FIG. **3**, a host system **50** is coupled to one or more coin redemption machines **10a**, **10b**, . . . **10n**. The host system **50** communicates with each coin redemption machine **10** for tracking the various deposits input to the coin redemption machines **10** and the receipts printed, as will be described in greater detail below. Additionally, the coin redemption machines **10** send signals to the host system **50** when the coin receptacles of the coin receptacles station **28** are full or when a fault condition—a coin jam, coin bag is full, printer out of paper—is encountered. Moreover, the host system **50** may be connected to a network **52**, such as an accounting system, which allows the user of the coin redemption machine **10** to credit the user's account after making a deposit. Alternatively, the coin redemption machine **10** outputs a receipt bearing an assigned transaction number and the host system **50** stores the transaction number and the corresponding amount. In a retail store setting where each cashier's station is coupled to the network **52**, the cashier can verify the value of coins processed when presented with the receipt bearing the transaction number.

According to one alternative embodiment of the present invention, the receipt issued by the coin redemption machine **10** prints the store name (e.g., where the machine resides), the total amount of coins processed, and commission information charged by the store such as the percentage of commission being charged. For example, if a retail store charges a commission of 10%, the receipt may read "Subject to a Processing Fee of 10%—Remit to Any Cashier for Processing—Redeemable For Cash Only." When the cashier is presented with the receipt by the user, the cashier calculates the commission and then dispenses currency bills and coins to the user in an amount equal to the dollar value of the coins processes less the commission calculated by the cashier. According to some alternative embodiments, the cashier also provides the user with a second receipt, along with the funds, indicating the dollar amount of the processed coins, the dollar amount of the commission calculated by the cashier and the dollar amount of funds dispensed to the user. In a different system, the receipt may read "Redeemable For Cash Or Merchandise." Other information can also be printed on the receipt including a transaction number, date, time, other location identifying information, coin totals and amounts by denomination, and other messages. Other messages may include information directing a user to a redemption area such as "Only Redeemable at Service Desk" or "Redeemable at Cashier Stations Nos. 10-15."

According to another alternative embodiment, the coin redemption machine **10** includes a currency bill dispensing module for dispensing currency bills in the amount of the deposited coins, or in the amount of the deposited coins less a commission, to the user and not a receipt that is redeemable for cash by the user. The coin redemption machine **10** optionally includes a coin dispensing module for dispensing coins back to the user. Alternatively still, the coin redemption machine does not include a coin dispensing module and the amount due the user is rounded down to, or up to, the nearest whole dollar. A currency processing machine including a coin dispensing module and a currency bill dispensing module is described in U.S. Pat. No. 6,318,537 B1, incorporated herein by reference above. A coin redemption machine that outputs currency bills, and optionally coins, eliminates security concerns associated with the duplication of receipts because the coins are redeemed at the time of the transaction and any

6

receipt issued is not redeemable for currency bills. Rather, any receipt serves solely as a record of the transaction.

According to another alternative embodiment of the coin redemption machine **10**, each coin redemption operation is assigned a transaction number. The receipt issued by the coin redemption machine **10** has a transaction number printed thereon and, optionally, includes the value of the coin processed. Alternatively, the receipt includes additional information such as commission information or retail store information. In a simple form, such an embodiment includes a second, remote display located at the cashier's station or redemption area where the user redeems the receipts. The second display communicates to the cashier the transaction numbers and corresponding dollar amounts. When presented with a receipt for redemption, the cashier accesses the display to confirm that the dollar amount printed on the receipt favorably compares to the amount listed on the display. This embodiment guards against fraud by reducing the opportunity for tampering with the amount printed on the receipt. Alternatively, the dollar amount is displayed on the second display after the receipt bearer or cashier keys in the transaction number.

In more sophisticated embodiments, the controller **30** of the coin redemption machine **10** automatically eliminates transaction numbers from the second display after receipts are redeemed. For example, after a user presents a receipt to a cashier and that receipt bearing a particular transaction number is redeemed, the controller **30** deletes, "closes-out," or otherwise invalidates that particular transaction number thus preventing a receipt bearing that particular number from being redeemed again. Alternatively, the controller **30** causes the display to indicate that redeemed transaction numbers have in fact been redeemed and are no longer valid. Alternatively still, the receipt may include a barcode of the transaction number which is automatically read by a scanner at the cashier's station. Once the barcode is read, the dollar amount to be dispensed to the user is automatically displayed on a screen and the transaction number is automatically marked as redeemed on the display or, alternatively, is marked as so in a database where the transaction numbers and corresponding dollar amounts are stored. Accordingly, fraud by presenting duplicate receipts for redemption is guarded against.

Additionally, banks or stores may institute policies requiring that receipts may only be redeemed at the particular location where the coins are deposited. Put another way, receipts will only be honored at the store location where the receipt-issuing machine **10** is located. Thus, indicia of a particular store location is printed on the receipt. Such an embodiment discourages the duplicating of receipts and redeeming those receipts at other locations where the particular batch number may still be valid. Additionally or alternatively, a store may require that a receipt be redeemed within a predetermined amount of time (e.g., one or two hours). Alternatively still, the coin redemption machines **10** are networked together, as described above in connection with FIG. **3**, for storing the transaction numbers in a common database to prevent transaction numbers from being redeemed at several locations. For example, a transaction number resulting from a transaction at a first store would be displayed on a second screen of the cashier's station in a second store. Alternatively still, the customer may key in the transaction number at a cash dispensing station which automatically (or manually via an attendant) output cash to the customer corresponding to the dollar amount. Each transaction number would only be capable of being redeemed one time.

In yet another alternative embodiment, a second printer is disposed at the cashier's station for printing a duplicate

receipt which allows the cashier to compare the received receipt with the cashier's duplicate receipt for verifying that the information on both receipts favorably compares. Once the receipt is redeemed, the cashier can mark both receipts as redeemed, place both the receipts in a "redeemed area," or destroy the two receipts. Many types of fraud, including receipt counterfeiting, are prevented by only allowing redemption of receipts having a duplicate receipt printed at the cashier's station and by not allowing the redemption of receipts that have already been redeemed. Alternatively still, an additional display for displaying receipt numbers and amount may be placed at cashier's station, which would allow the cashier to ensure that the receipt number and amounts match what is shown on the receipt.

In still another alternative embodiment, the user inputs via the display **12** of the coin redemption machine **10** an account number wherein the value of the deposited coins, or the value of the deposited coins less a commission, is credited to the user's account. Types of accounts include bank accounts, credit card accounts, store credit card accounts, or other types of store accounts. Alternatively, a user inserts a media card into media slot **18** and coin redemption machine **10** reads the user's account number. The user may be required to input via the display **12** a personal identification number as an additional security measure. Alternatively still, the coin redemption machine **10** may credit the amount to a smartcard inserted into media slot **18**. These embodiments frustrate fraudulent activities surrounding manipulating the receipt because any receipt issued serves solely as a record of the transaction and is not redeemable.

According to another alternative embodiment of the present invention, a user wanting to redeem coins for paper currency is first prompted by the display **12** of the coin redemption machine **10** for that user's security code. The security code can take on different forms according to various alternative embodiments of the present invention including the user's numerical birth date, social security number, or an identification number assigned by the particular retail or bank location. Alternatively, the coin redemption machine is tied to a network as illustrated in FIG. **3**, and the user may input the user's store card, credit card, or ATM card as a security feature. After inputting the user's security code, the coin redemption machine **10** permits the user to deposit the user's coins. The coin redemption machine **10** processes the coins and determines the dollar amount of the deposited coins. This amount is communicated to the user via the display **12**. If the amount is unacceptable to the user, the user indicates as such via the display and the machine **10** alerts an attendant (via a flashing light, audible signal, or electronically in an embodiment where the coin redemption machine **10** is linked to a host or network) to assist the user. Alternatively, the coin redemption machine **10** holds coins in an escrow area until the user indicates that the displayed amount is acceptable. If the user indicates that the amount is not acceptable, the coins are returned to the user from the escrow region. If the amount is acceptable to the user, the user indicates as such via the display **12** and a receipt is printed bearing a transaction number and optionally the dollar amount of the deposited coins. After the receipt is printed, the display **12** instructs the user to proceed to a particular cashier station, check-out lane, teller window or customer service area (collectively "redemption area") to redeem the receipt.

At the redemption area, the user is directed to a terminal where the user is prompted to enter the security code (or swipe the same card) that the user previously entered at the coin redemption machine **10** prior to depositing the coins.

Next, the terminal prompts the user for the transaction number printed on the receipt. After the user has entered the correct security code and transaction number, the terminal displays the value of the deposited coins and displays authorization to a store employee to pay the user an amount equivalent to dollar amount of the deposited coins. Alternatively, if a commission is charged, the dollar amount of the deposited coins as well as that amount less a commission charged for use of the coin redemption machine **10** is displayed on the terminal.

According to yet another alternative embodiment of the present invention, one or more coin redemption machines are tied to a network, as illustrated in FIG. **3**, which communicates with an automatic-teller-machine ("ATM") or a cash and coin dispensing station. The security code (or account number corresponding to a card inserted in the media slot **18**), the transaction number and the determined dollar amount of the deposited coins are stored in a memory linked to the coin redemption machine **10** and the ATM. The user proceeds with the receipt bearing the transaction number to the ATM and inputs the user's a security code (or swipes a card) and the transaction number. The security code and transaction number input are compared to those stored in memory and are validated. Upon validation, the ATM then dispenses an appropriate amount of currency bills, and optionally coins, to the user.

This latter embodiment provides an additional level of protection to the user by storing the security numbers, transaction numbers, and determined totals in memory. If the user forgets the transaction number or misplaces the receipt, the user can request that an attendant access the system to look-up the transaction number(s) corresponding to the user's security code, which is stored in memory. In certain situations, the attendant may require a predetermined time period to pass between the initial contact by an alleged user and revealing the transaction number to the user. After waiting the predetermined time period, if no other claims are made on that transaction number, the attendant can pay the user, reveal the transaction number, or both.

Referring now to FIG. **4**, there is depicted a coin redemption network **100** according to an alternative embodiment of the present invention having a plurality of coin redemption machines **10a**, **10b**, . . . **10n** communicatively linked thereto. Each coin redemption machine **10** has a connected communications device **102** such as, for example, a modem or ethernet card. In an alternative embodiment, the communication device **102** is a wireless device that enables wireless communication between a coin redemption machine **10** and to the coin redemption network **100**.

According to one embodiment of the coin redemption network **100**, the coin redemption machines **10** are equipped to communicate with one or more servers **104** and further to send information to or retrieve information from one or more databases **106**. One method of enabling this communication is to connect the coin redemption machines **10**, the one or more servers **104** and the one or more databases **106** via the Internet **108**. The one or more servers **104** may be web servers, and further may be adapted to execute servlets, which may initiate and complete the tasks involved in running the coin redemption network **100**. According to an alternative embodiment, each of the coin redemption machines may be linked directly (wired or wireless) to the servers), and not to the Internet **108**. Or, alternatively still, each of the coin redemption machines periodically "dial-in" directly to the server(s).

In order to maintain the integrity of information sent between the components of the coin redemption network **100**,

a number of security schemes may be employed. For example, a firewall **110** may be set up between the coin redemption machines **10** and the server and database components. Further, a key server **112** with a key server communications device **114** may be employed, as is known in the communications field.

Periodically, such as at predetermined times throughout the day or upon the occurrence of certain events such as at the conclusion of a coin redemption transaction, an update routine is performed wherein information is sent from the coin redemption machines **10** to the server **104**. This information may include a transaction number and the corresponding dollar amount of received coins, a user's account information and the corresponding dollar amount of received coins and/or other information received from the user such as a security code and other information corresponding to the transaction. Further, in alternative embodiments of the coin redemption network, information regarding the status of the coin redemption machine **10** is sent to the server **104**. Information regarding the status of the coin redemption machine **10** may include, or example, the number of coins (and corresponding dollar amount) in each of the coin receptacle stations **28** (FIG. 2), a signal indicating that a coin bag in a coin receptacle station **28** is full and service is required, a signal indicating that the printer **32** (FIG. 2) is low on paper or ink, or some other information indicative of a fault or error condition. Alternatively still, the operator interface **12** (FIG. 1) may include a button that a user depresses for summoning an attendant of the coin redemption machine **10**. This request may be directed to the attendant via the coin redemption network **100**.

An update routine may be carried out via calls automatically being made by a coin redemption machine **10** through the communications device **102** at predetermined times, on the occurrence of predetermined events or they may be manually initiated by an attendant of the machine **10** or a user of the machine **10** as indicated above. An update routine may also be initiated by the server **104** or by users of the server **104**.

One type of update routine **120** is shown in FIG. 5. According to one embodiment, the update routine **120** is initiated by the coin redemption machine **10** upon completion of a coin redemption process wherein the coin redemption machine **10** has output a receipt indicative of the dollar amount of coins received from the user ("the dollar amount") and a transaction number. According to one embodiment of the coin redemption network, the update routine begins with the sending of an initial data string from the coin redemption machine **10**, as shown at step **122**. The initial data string contains information initializing the communication, and may further contain information pertaining to the identity of the sending coin redemption machine **10** and protocol data units (PDUs) defining the type of information transmission. Further, the initial data string contains information identifying the transmission as an update routine.

Next, as shown at step **124**, the information corresponding to the dollar amount for the transaction and the transaction number are sent from the redemption machine **10** to the server **104**. In other embodiments, this information may include information corresponding to a plurality of transaction numbers and corresponding dollar amounts stored by the coin redemption machine **10** for a period of time such as several minutes. In other embodiments where the dollar amount is being credited to a smartcard, the machine **10** may only send information relating to the dollar amount credited to a smartcard. In various other alternative embodiments, the machine **10** may also send information regarding user identification information (if input by a user of the machine).

Optionally, as shown in step **126**, the coin redemption machine **10** receives instructions from the server **104**. Such instructions may include instructions regarding a promotion wherein a bonus is added to the dollar amount of processed coins, regarding a change in commission to charge for use of the machine **10**, or instructions regarding to what information to be printed in the receipt such as, for example, time, date, or other promotional information. The update routine is concluded at step **128**.

According to one embodiment of the present invention, the plurality of coin redemption machines **10** are connected to a bank's network in a manner as shown in FIG. 3 or via the Internet as shown in FIG. 4 for crediting coins deposited in a redemption machine to a user's bank account. The user may be required to input identification information as described above. Crediting the coins directly to a bank account reduces the chances for fraud associated the redemption with counterfeit or duplicated receipts. The network **52** (FIG. 3) or server **104** (FIG. 4) is updated at predetermined times or on the occurrence of certain events to update the user's account with information regarding deposited coins. For example, according to one embodiment, the bank's network **52** (FIG. 3) or server **104** (FIG. 4) is updated upon completion of each transaction so that a user's account is credited with the deposited amount substantially immediately. This is in contrast with a traditional deposit-type ATM machine wherein deposits are not credited to a user's account until the deposited funds are retrieved by an operator and later verified back at a bank. In other embodiments, the bank's network **52** (FIG. 3) or server **104** (FIG. 4) is updated at predetermined time intervals, such as every hour, wherein the updates include information regarding all of the deposits over the previous hour. In such an embodiment, also, the users' accounts are updated very soon after the deposits are made.

In addition to embodiments described above and in the accompanying claims, several embodiments of the present inventions will now be described.

Alternative Embodiment A

A. A coin redemption system in which a user deposits a batch of mixed coins of a plurality of denominations, the system comprising:

a coin input area for receiving a batch of mixed coins from a user of the coin redemption system;

a coin processing unit coupled to the coin input area for determining the aggregate value of the coins received from the user;

a controller for assigning a transaction number corresponding to the batch of received coins;

a first printer for printing a receipt indicative of the determined value and the assigned transaction number; and

an output device disposed in a redemption area for displaying the assigned transaction number and the determined value.

Alternative Embodiment B

B. The coin processing system of alternative embodiment A wherein the output device is a printer.

Alternative Embodiment C

C. The coin processing system of alternative embodiment A wherein the output device is a display.

Alternative Embodiment D

D. A method for redeeming coins for currency bills with a coin redemption system, the method comprising:

receiving a batch of mixed coins of a plurality of denominations in a coin receiving area of the coin redemption system;

determining the aggregate value of the received coins with a coin processing unit of the coin redemption system;

11

assigning a transaction number corresponding to the batch of received coins;

printing a first receipt indicative of the determined aggregate value and the assigned transaction number with a first printer of the coin redemption system;

displaying the determined aggregate value and the assigned transaction number separate from printing the first receipt;

comparing the printed receipt to the displayed determined aggregate value and assigned transaction number; and

redeeming the receipt for currency bills and coins when the printed receipt favorably compares to the displayed determined aggregate value and assigned transaction number.

Alternative Embodiment E

E. The method of alternative embodiment D where redeeming further comprises redeeming the receipt for currency bills and coins in an amount equal to the determined aggregate value.

Alternative Embodiment F

F. The method of alternative embodiment D where redeeming further comprises redeeming the receipt for currency bills and coins in an amount equal to the determined aggregate value less a commission.

Alternative Embodiment G

G. The method of alternative embodiment D wherein displaying further comprises printing a second receipt indicative of the determined aggregate value and the assigned transaction number with a second printer at a second location where redemption is to occur.

Alternative Embodiment H

H. The method of alternative embodiment D wherein displaying further comprises displaying on a screen at a second location where redemption is to occur.

Alternative Embodiment I

I. A coin redemption system for receiving a batch of mixed coins of a plurality of denominations from a user and securely providing the user with a receipt that is redeemable for cash, the system comprising:

at least one coin redemption machine comprising,
an first user interface for receiving a security code from a user of the coin redemption system,

a coin input area for receiving the batch of mixed coins,
a controller for assigning a transaction number corresponding to the batch of received coins,

a coin processing unit coupled to the coin input area for determining the aggregate value of the received coins,
and

a printer for printing a receipt indicative of the determined aggregate value and the assigned transaction number;
and

at least one redemption station communicatively linked to the at least one coin redemption machine comprising,

a second user interface adapted to receive input from the user including input indicative of the security code and the assigned transaction number, the second user interface being adapted to display the determined aggregate value upon receipt of the security code and the assigned transaction number, wherein the controller is adapted to verify that the received security code favorably compares to the received transaction number, and

means for providing the user with currency bills and coins when the received security code favorably compares to the received transaction number.

Alternative Embodiment J

J. The coin redemption system of alternative embodiment I wherein the currency bills and coins are provided to the user in an amount equal to the determined aggregate value.

12

Alternative Embodiment K

K. The coin redemption system of alternative embodiment I wherein the currency bills and coins are provided to the user in an amount equal to the determined aggregate value less a commission.

Alternative Embodiment L

L. A method for securely redeeming coins for currency bills comprising:

receiving, on a first occasion, input from a user indicative of a security code;

receiving a batch of mixed coins of a plurality of denominations in a coin receiving area;

determining the aggregate value of the received batch of coins;

assigning a transaction number corresponding to the received batch of coins;

issuing a receipt indicative of the determined aggregate value and the assigned batch number,

receiving, on a second occasion, input from the user indicative of the security code and the assigned transaction number;

comparing the input received on the first occasion with the input received on the second occasion; and

dispensing currency bills and coins to the user when the input received on the first occasion favorably compares with the input received on the second occasion.

Alternative Embodiment M

M. The method of alternative embodiment L where dispensing further comprises dispensing currency bills and coins to the user in an amount equal to the determined aggregate value.

Alternative Embodiment N

N. The method of alternative embodiment L where dispensing further comprises dispensing currency bills and coins to the user in an amount equal to the determined aggregate value less a commission.

Alternative Embodiment O

O. A coin processing system for receiving a batch of mixed coins of a plurality of denominations from a user and securely providing the user with a receipt that is redeemable for cash, the system comprising:

at least one coin redemption machine comprising
a media reader adapted to read information from a media card of a user of the coin processing system,

a coin input area for receiving a batch of coins from the user,

a controller for assigning a transaction number corresponding to the received batch of coins,

a coin processing unit coupled to the coin input area for determining the aggregate value of the received coins,
and

a printer for printing a receipt indicative of the determined aggregate value and the assigned transaction number;
and

at least one redemption station communicatively linked to the at least one coin redemption machine comprising

a user terminal including a media reader adapted to read information from the media card of the user and a user interface being adapted to receive input from the user indicative of the assigned transaction number, the user terminal being adapted to display the determined aggregate value upon reading the media card and receipt of the assigned transaction number, wherein the controller is adapted to verify that information read from the media card favorably compares to the received transaction number,

13

means for providing the user with currency bills and coins when the information read from the media card favorably compares to the received transaction number.

Alternative Embodiment P

P. The coin processing system of alternative embodiment O wherein the currency bills and coins are provided to the user in an amount equal to the determined aggregate value.

Alternative Embodiment Q

Q. The coin processing system of alternative embodiment O wherein the currency bills and coins are provided to the user in an amount equal to the determined aggregate value less a commission.

Alternative Embodiment R

R. A method for redeeming coins for currency bills with a coin processing system including a coin redemption machine and a redemption area, the method comprising:

receiving a batch of coins of mixed denominations in a coin receiving area of the coin redemption machine;

determining the aggregate value of the received coins with a coin processing unit of the coin redemption machine;

printing a receipt indicative of the determined aggregate value with a printer of the coin redemption machine;

presenting an operator of the redemption area with the receipt;

calculating a commission after presenting the operator of the redemption area with the receipt;

providing the user with currency bills in an amount equivalent the determined aggregate value less the calculated commission.

Alternative Embodiment S

S. The method of alternative embodiment R further comprising displaying to the user the percentage of commission to be charged.

Alternative Embodiment T

T. The method of alternative embodiment R further comprising displaying to the user a chart summarizing the commission to be charged, the chart including at least one amount and a corresponding commission.

Alternative Embodiment U

U. A coin redemption system comprising:

one or more coin redemption machines located at one or more locations; each coin redemption machine being adapted to count a batch of mixed coins received from a user and to determine a total amount corresponding to the value of the received coins;

a database for storing information; and

at least one server adapted to electronically communicate with each coin redemption machine, the at least one server being adapted to receive information indicative of the determined total amounts from each coin redemption machine and to store that information in the database.

Alternative Embodiment V

V. The system of alternative embodiment U further comprising an operator interface for receiving information from an operator of a coin redemption machine indicative of an account of the user.

Alternative Embodiment W

W. The system of alternative embodiment U wherein the at least one server is associated with a bank.

Alternative Embodiment X

X. The system of alternative embodiment U wherein the at least one server receives information indicative of the determined total amount substantially immediately after the total amount corresponding to the value of the received coins is determined by the coin redemption machine.

14

Alternative Embodiment Y

Y. The system of alternative embodiment X wherein the information is stored in the database substantially immediately after information indicative of the determined total is received by the server.

Alternative Embodiment Z

Z. The system of alternative embodiment U wherein each of the one or more coin redemption machines is adapted for electronic communication over the Internet, and wherein the one or more servers are web servers adapted for electronic communication over the Internet and are adapted to locate and communicated with each of the one or more coin redemption machines over the Internet.

While the present invention has been described with reference to one or more particular embodiments, those skilled in the art will recognize that many changes may be made thereto without departing from the spirit and scope of the present invention. Each of these embodiments and obvious variations thereof is contemplated as falling within the scope of the claimed invention, which is set forth in the following claims.

What is claimed is:

[1. A coin redemption system in which a user deposits a batch of mixed coins of a plurality of denominations, the system comprising:

a coin input area for receiving a batch of mixed coins from a user of the coin redemption system;

a coin processing unit coupled to the coin input area for determining the aggregate value of the coins received from the user;

a controller for assigning a transaction number corresponding to the batch of received coins;

a first printer for printing a receipt indicative of the determined value and the assigned transaction number; and an output device disposed in a redemption area for displaying the assigned transaction number and the determined value.]

[2. The coin processing system of claim 1 wherein the output device is a printer.]

[3. The coin processing system of claim 1 wherein the output device is a display.]

[4. A method for redeeming coins for currency bills with a coin redemption system, the method comprising:

receiving a batch of mixed coins of a plurality of denominations in a coin receiving area of the coin redemption system;

determining the aggregate value of the received coins with a coin processing unit of the coin redemption system;

assigning a transaction number corresponding to the batch of received coins;

printing a first receipt indicative of the determined aggregate value and the assigned transaction number with a first printer of the coin redemption system;

displaying the determined aggregate value and the assigned transaction number separate from printing the first receipt;

comparing the printed receipt to the displayed determined aggregate value and assigned transaction number; and

redeeming the receipt for currency bills and coins when the printed receipt favorably compares to the displayed determined aggregate value and assigned transaction number.]

[5. The method of claim 4 where redeeming further comprises redeeming the receipt for currency bills and coins in an amount equal to the determined aggregate value.]

15

[6. The method of claim 4 where redeeming further comprises redeeming the receipt for currency bills and coins in an amount equal to the determined aggregate value less a commission.]

[7. The method of claim 4 wherein displaying further comprises printing a second receipt indicative of the determined aggregate value and the assigned transaction number with a second printer at a second location where redemption is to occur.]

[8. The method of claim 4 wherein displaying further comprises displaying on a screen at a second location where redemption is to occur.]

9. A coin redemption system for receiving a batch of mixed coins of a plurality of denominations from a user and securely providing the user with a receipt that is redeemable for cash, the system comprising:

at least one coin redemption machine comprising,
a first user interface for receiving a security code from a user of the coin redemption system,
a coin input area for receiving the batch of mixed coins,
a controller for assigning a transaction number corresponding to the batch of received coins,
a coin processing unit coupled to the coin input area for determining the aggregate value of the received coins, and
a printer for printing a receipt indicative of the determined aggregate value and the assigned transaction number; and

at least one redemption station communicatively linked to the at least one coin redemption machine comprising,
a second user interface [adapted] comprising a user-input device to receive input from the user including input indicative of the security code and the assigned transaction number, the second user interface [being adapted] comprising a display to display the determined aggregate value upon receipt of the security code and the assigned transaction number, wherein the controller is [adapted] associated with executable instructions to verify that the received security code favorably compares to the received transaction number, and

[means] a currency dispenser for providing the user with currency bills [and coins] in an amount related to the determined aggregate value when the received security code favorably compares to the received transaction number.

10. The coin redemption system of claim 9, wherein the at least one redemption station further comprises a coin dispensing module, and wherein [the] currency bills and coins are provided to the user in an amount equal to the determined aggregate value.

11. The coin redemption system of claim 9, wherein the at least one redemption station further comprises a coin dispensing module, and wherein [the] currency bills and coins are provided to the user in an amount equal to the determined aggregate value less a commission.

12. A method for securely redeeming coins for currency bills comprising:

receiving, on a first occasion, an input from a user via a user input device of a coin redemption machine, the user input being indicative of a security code;

receiving a batch of mixed coins of a plurality of denomination in a coin receiving area of the coin redemption machine;

determining the aggregate value of the received batch of coins using a coin processing module of the coin redemption machine;

16

assigning, using a controller associated with the coin redemption machine, a transaction number corresponding to the received batch of coins;

issuing a receipt indicative of the determined aggregate value and the assigned batch number;

receiving, on a second occasion, an input from the user via a user input device of a terminal separate from the coin redemption machine, the user input indicative of the security code and the assigned transaction number;

comparing, using the controller or another processor, the input received on the first occasion with the input received on the second occasion;

dispensing currency comprising bills [and coins] to the user in an amount related to the determined aggregate value when the input received by the user input device of the coin redemption machine on the first occasion favorably compares with the input received by the user input device of the terminal on the second occasion.

13. The method of claim 12, where the act of dispensing currency further comprises dispensing currency bills and coins to the user in an amount equal to the determined aggregate value or in an amount equal to the determined aggregate value less a commission.

14. The method of claim 12, where the act of dispensing currency further comprises dispensing at least currency bills [and coins] to the user [in an amount equal to the determined aggregate value less a commission] from a currency bill dispensing machine associated with the terminal.

15. A coin processing system for receiving a batch of mixed coins of a plurality of denominations from a user and securely providing the user with a receipt that is redeemable for cash, the system comprising:

at least one coin redemption machine comprising
a media card reader adapted to read information from a media card of a user of the coin processing system,
a coin input area for receiving a batch of coins from the user,
a controller for assigning a transaction number corresponding to the received batch of coins and for associating the information from the media card of the user of the coin processing system to the transaction number,
a coin processing unit coupled to the coin input area for determining the aggregate value of the received coins, and

a printer for printing a receipt indicative of the determined aggregate value and the assigned transaction number; and

at least one self-service redemption station communicatively linked to the at least one coin redemption machine comprising

a user terminal including a media card reader adapted to read information from the media card of the user and a user interface [being adapted] comprising a user-input device to receive input from the user indicative of the assigned transaction number, the user terminal [being adapted] comprising a display to display the determined aggregate value upon reading the media card and receipt of the assigned transaction number, wherein the controller is [adapted] associated with executable instructions to verify that information read from the media card favorably compares to the received transaction number, and

[means for providing] a currency dispensing device configured to provide the user with currency comprising bills [and coins] relating to the determined aggregate value associated with the transaction number when the

17

information read from the media card favorably compares to the received transaction number.

16. The coin processing system of claim 15, wherein the currency dispensing device further comprises a coin dispenser configured to dispense coins, wherein [the] currency bills and coins are provided to the user in an amount equal to the determined aggregate value.

17. The coin processing system of claim 15, wherein the currency dispensing device further comprises a coin dispenser configured to dispense coins, wherein [the] currency bills and coins are provided to the user in an amount equal to the determined aggregate value less a commission.

18. A method for redeeming coins for currency bills with a coin processing system including a coin redemption machine and a redemption area, the method comprising:

receiving a batch of coins of mixed denominations in a coin receiving area of the coin redemption machine;

determining the aggregate value of the received coins with a coin processing unit of the coin redemption machine;

assigning a transaction number corresponding to the batch of received coins;

printing a receipt indicative of the determined aggregate and the assigned transaction number with a printer of the coin redemption machine;

presenting an operator of the redemption area with the receipt;

displaying the determined aggregate value and the assigned transaction number separate from printing the receipt;

calculating a commission after presenting the operator of the redemption area with the receipt;

providing the user with currency bills in an amount equivalent the determined aggregate value less the calculated commission when the printed receipt favorably compares to the displayed determined aggregate value and the assigned transaction number.

19. The method of alternative embodiment 18 further comprising displaying to the user the percentage of commission to be charged.

18

20. The method of alternative embodiment 18 further comprising displaying to the user a chart summarizing the commission to be charged, the chart including at least one amount and a corresponding commission.

21. A method for redeeming coins for currency bills with a coin redemption system, the method comprising:

inputting a security code into a user input device of a self-service coin processing machine;

receiving a batch of mixed coins of a plurality of denominations in a coin receiving area of the self-service coin processing machine;

determining the aggregate value of the received coins with a coin processing unit of the self-service coin processing machine;

storing a redemption value related to the aggregate value in a memory in association with the security code;

inputting the security code into a user input device of a self-service currency dispensing machine;

comparing the security code input at the user input device of the self-service currency dispensing machine to the security code input into the user input device of the coin processing machine; and

dispensing currency from the self-service currency dispensing machine equal to the redemption value when the security code input at the self-service currency dispensing machine favorably compares to the security code stored in association with the redemption value.

22. A method for redeeming coins according to claim 21, wherein the act of inputting a security code into the user input device of the self-service coin processing machine comprises inputting a magnetic strip card in a first card reader associated with the self-service coin processing machine and wherein the act of inputting the security code into the user input device of the self-service currency dispensing machine comprises inputting the same magnetic strip card in a second card reader associated with the self-service currency dispensing machine.

* * * * *