

US00RE44104E

(19) **United States**
(12) **Reissued Patent**
Evans

(10) **Patent Number:** **US RE44,104 E**
(45) **Date of Reissued Patent:** **Mar. 26, 2013**

(54) **CROSS-LAYER ARCHITECTURE FOR A NETWORK DEVICE**

(75) Inventor: **Gregory Morgan Evans, Raleigh, NC (US)**

(73) Assignee: **Qurio Holdings, Inc., Raleigh, NC (US)**

(21) Appl. No.: **13/490,955**

(22) Filed: **Jun. 7, 2012**

Related U.S. Patent Documents

Reissue of:

(64) Patent No.: **7,733,908**
Issued: **Jun. 8, 2010**
Appl. No.: **11/443,882**
Filed: **May 31, 2006**

(51) **Int. Cl.**
H04J 3/22 (2006.01)

(52) **U.S. Cl.** **370/469; 370/389**

(58) **Field of Classification Search** **370/338, 370/389, 465, 469, 352; 709/201, 202, 223, 709/224, 225, 230, 232, 238, 240**
See application file for complete search history.

(56) **References Cited**

U.S. PATENT DOCUMENTS

6,470,389	B1	10/2002	Chung et al.
6,721,282	B2	4/2004	Motley
6,987,985	B2	1/2006	Purkayastha et al.
7,016,668	B2	3/2006	Vaidyanathan et al.
7,356,013	B2	4/2008	Linder et al.
2002/0010759	A1	1/2002	Hitson et al.
2002/0013812	A1	1/2002	Krueger et al.
2002/0054578	A1	5/2002	Zhang et al.
2002/0061029	A1	5/2002	Dillon
2002/0104099	A1	8/2002	Novak
2002/0129367	A1	9/2002	Devara
2002/0144267	A1	10/2002	Gutta et al.
2002/0156842	A1	10/2002	Signes et al.
2003/0050055	A1	3/2003	Ting et al.
2003/0081580	A1	5/2003	Vaidyanathan et al.

2003/0152096	A1	8/2003	Chapman
2003/0161268	A1	8/2003	Larsson et al.
2004/0009751	A1	1/2004	Michaelis et al.
2004/0030798	A1	2/2004	Andersson et al.

(Continued)

FOREIGN PATENT DOCUMENTS

GB	2 306 869 A	11/1995
GB	2306869 A	5/1997

OTHER PUBLICATIONS

No Author, "Double 108Mbps Wireless PC Card (WG511U), Netgear, Inc.," PC Connection, 2006, accessed Apr. 5, 2006, 2 pages, <http://http://www.pcconnection.com/ProductDetail?sku=5373172&SourceID=k401322>.

(Continued)

Primary Examiner — Ricky Ngo

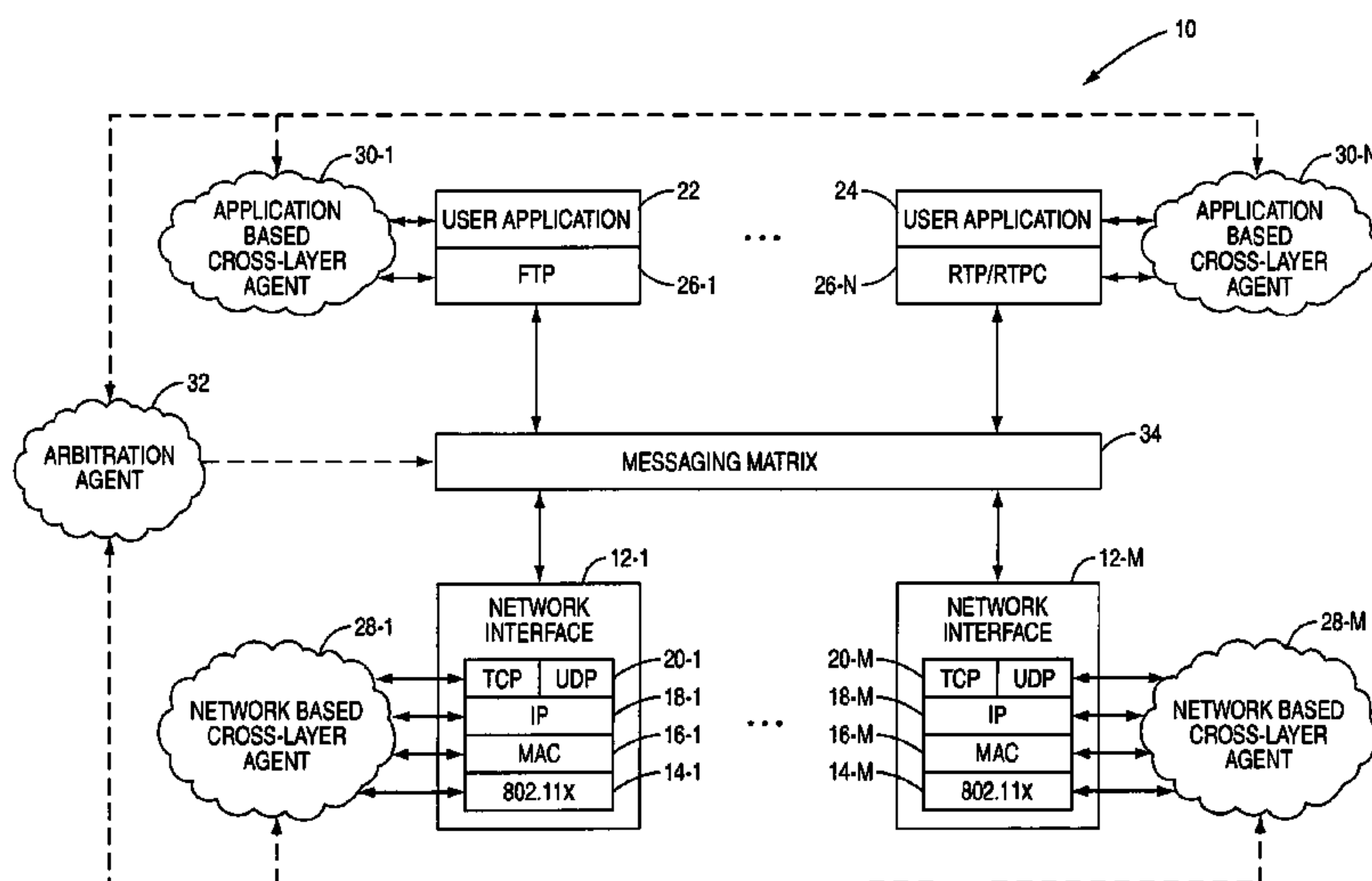
Assistant Examiner — Wei-Po Kao

(74) *Attorney, Agent, or Firm* — Withrow & Terranova, PLLC

(57) **ABSTRACT**

A cross-layer architecture for a network device having a number of network interfaces is provided. Each of the network interfaces implements a number of low level layers of a protocol stack and includes an associated network based cross-layer agent. The network device also includes an application based cross-layer agent associated with one or more high level protocol stack layers including an application layer. When the application layer desires to form a network connection to another network device, an arbitration agent operates to identify one of the network interfaces for the network connection. The arbitration agent then effects interconnection of the application based cross-layer agent and the network based cross-layer agent of the network interface and interconnection of the high level protocol stack layers and the low level protocol stack layers of the network interface, thereby forming a complete protocol stack having a cross-layer architecture for the network connection.

16 Claims, 4 Drawing Sheets



U.S. PATENT DOCUMENTS

2004/0042421 A1 3/2004 Mahany
 2004/0117824 A1 6/2004 Karaoguz et al.
 2004/0248615 A1 12/2004 Purkayastha et al.
 2004/0264372 A1 12/2004 Huang
 2005/0008017 A1 1/2005 Datta et al.
 2005/0034001 A1 2/2005 Pontarelli
 2005/0108769 A1 5/2005 Arnold et al.
 2005/0120127 A1 6/2005 Bradley et al.
 2005/0169632 A1 8/2005 Song et al.
 2005/0183120 A1 8/2005 Jain et al.
 2005/0192987 A1 9/2005 Marsh
 2005/0201340 A1 9/2005 Wang et al.
 2005/0216942 A1 9/2005 Barton
 2005/0239497 A1 10/2005 Bahl et al.
 2005/0286438 A1 12/2005 Rajkotia
 2006/0048185 A1 3/2006 Alterman
 2006/0048186 A1 3/2006 Alterman
 2006/0053452 A1 3/2006 Lee et al.
 2006/0056349 A1 3/2006 Nakatugawa et al.
 2006/0085830 A1 4/2006 Bruck et al.
 2006/0129672 A1 6/2006 Mayer
 2006/0182101 A1 8/2006 Hoekstra et al.
 2006/0206933 A1 9/2006 Molen et al.
 2007/0002742 A1 1/2007 Krishnaswamy et al.
 2007/0008978 A1 1/2007 Pirzada et al.
 2007/0061488 A1 3/2007 Alagappan et al.
 2007/0061580 A1 3/2007 Venkatesan et al.

OTHER PUBLICATIONS

Raisinghani, Vijay T., et al., "ECLAIR: An Efficient Cross Layer Architecture for Wireless Protocol Stacks," May 25-28, 2004, 6 pages, 5th World Wireless Congress, San Francisco, CA.
 Setton, Eric, et al., "Cross-Layer Design of Ad Hoc Networks for Real-Time Video Streaming," Aug. 2005, vol. 12, Issue 4, pp. 59-65, IEEE Wireless Communications.
 Srivastava, Vineet, et al., "Cross-Layer Design: A Survey and the Road Ahead," Dec. 2005, pp. 112-119, IEEE Communications Magazine.
 Non-Final Rejection mailed Sep. 16, 2009, for U.S. Appl. No. 11/443,882, 30 pages.
 Notice of Allowance mailed Mar. 8, 2010, for U.S. Appl. No. 11/443,882, 9 pages.
 Eric Setton et al., "Cross-Layer Design of Ad Hoc Networks for Real-Time Video Streaming," (article), Aug. 2005, pp. 99-102, vol. 12, issue 4, IEEE Wireless Communications.
 No Author, "PC Connection," (website), 2006, 2 pages, <http://www.pcconnection.com/ProductDetail?sku=5373172&SourceID=k40132>.
 Vijay T. Raisinghani et al., "ECLAIR: An Efficient Cross Layer Architecture for Wireless Protocol Stacks," 5th World Wireless Congress, San Francisco, CA, May 25-28, 2004.
 Vineet Srivastava et al., "Cross-Layer Design: A Survey and the Road Ahead," IEEE Communications Magazine, pp. 112-119, Dec. 2005.

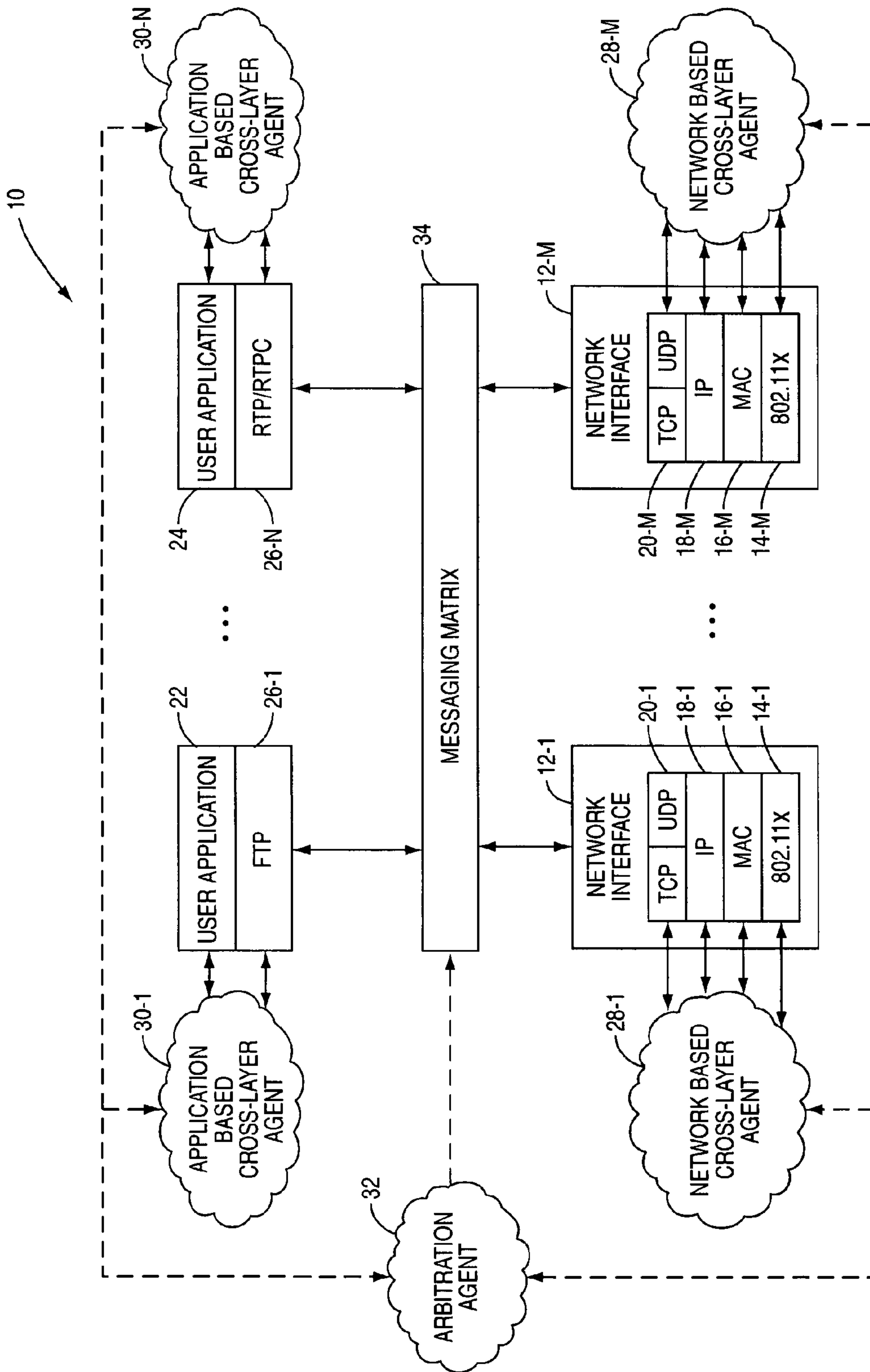


FIG. 1

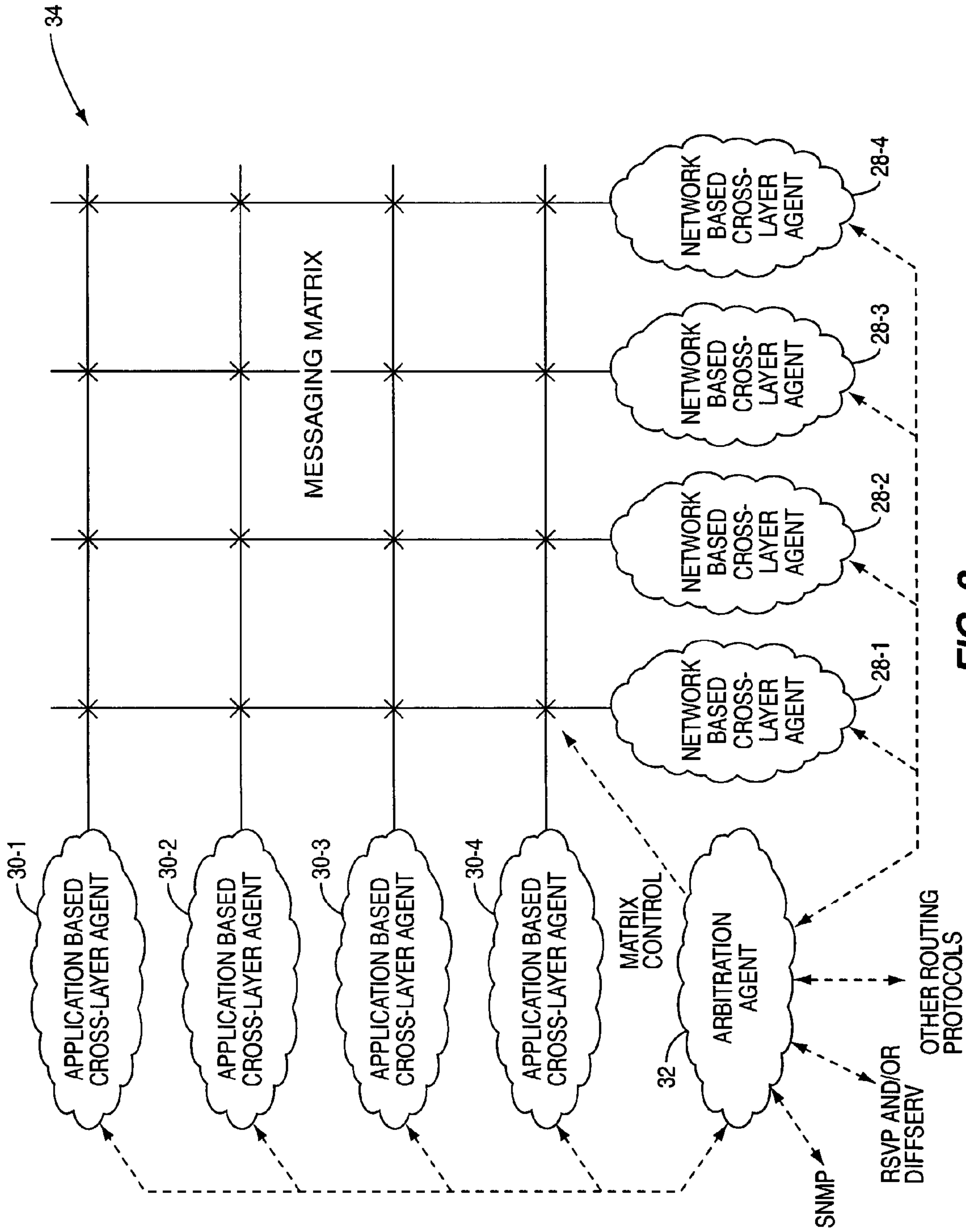
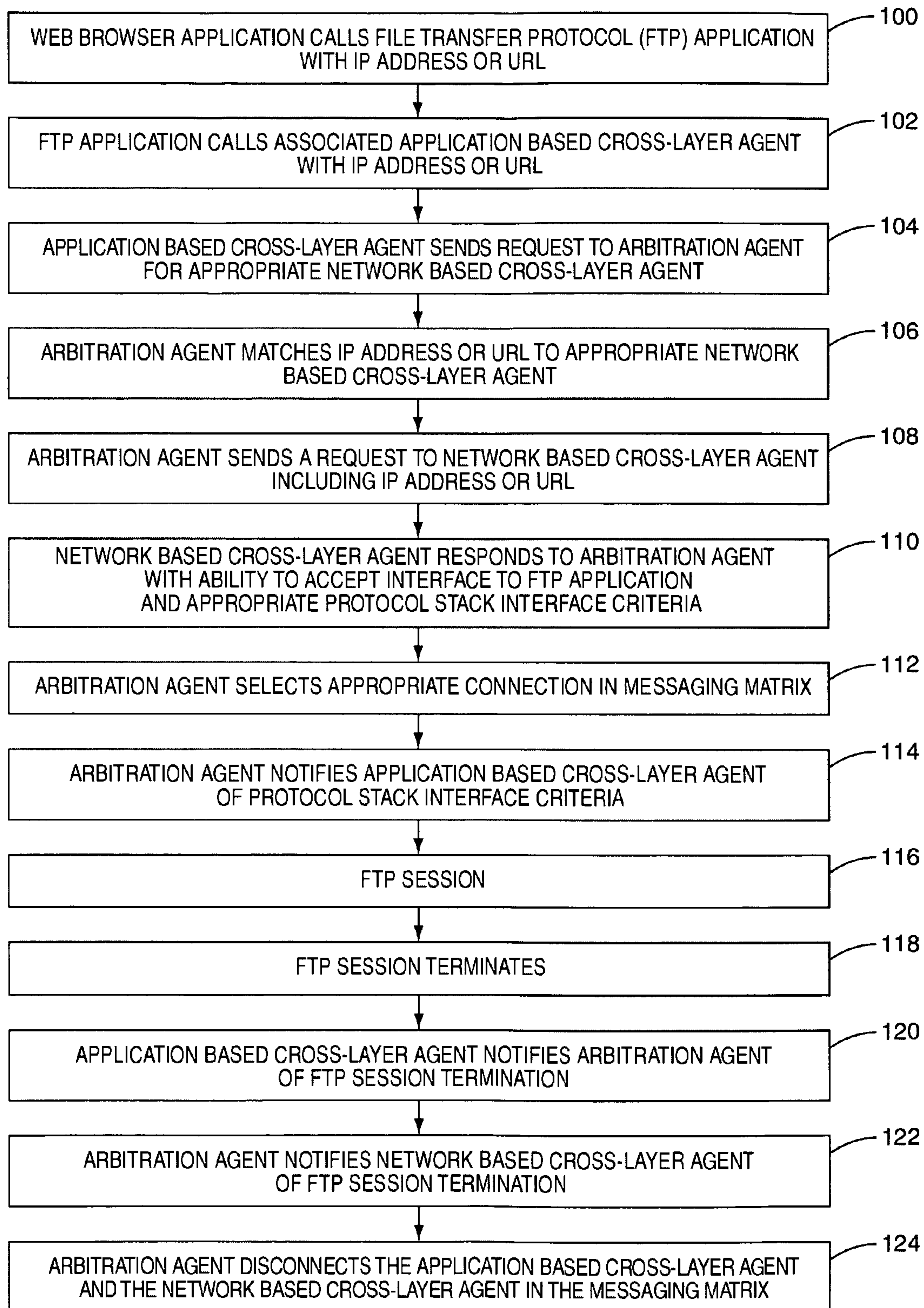


FIG. 2

**FIG. 3**

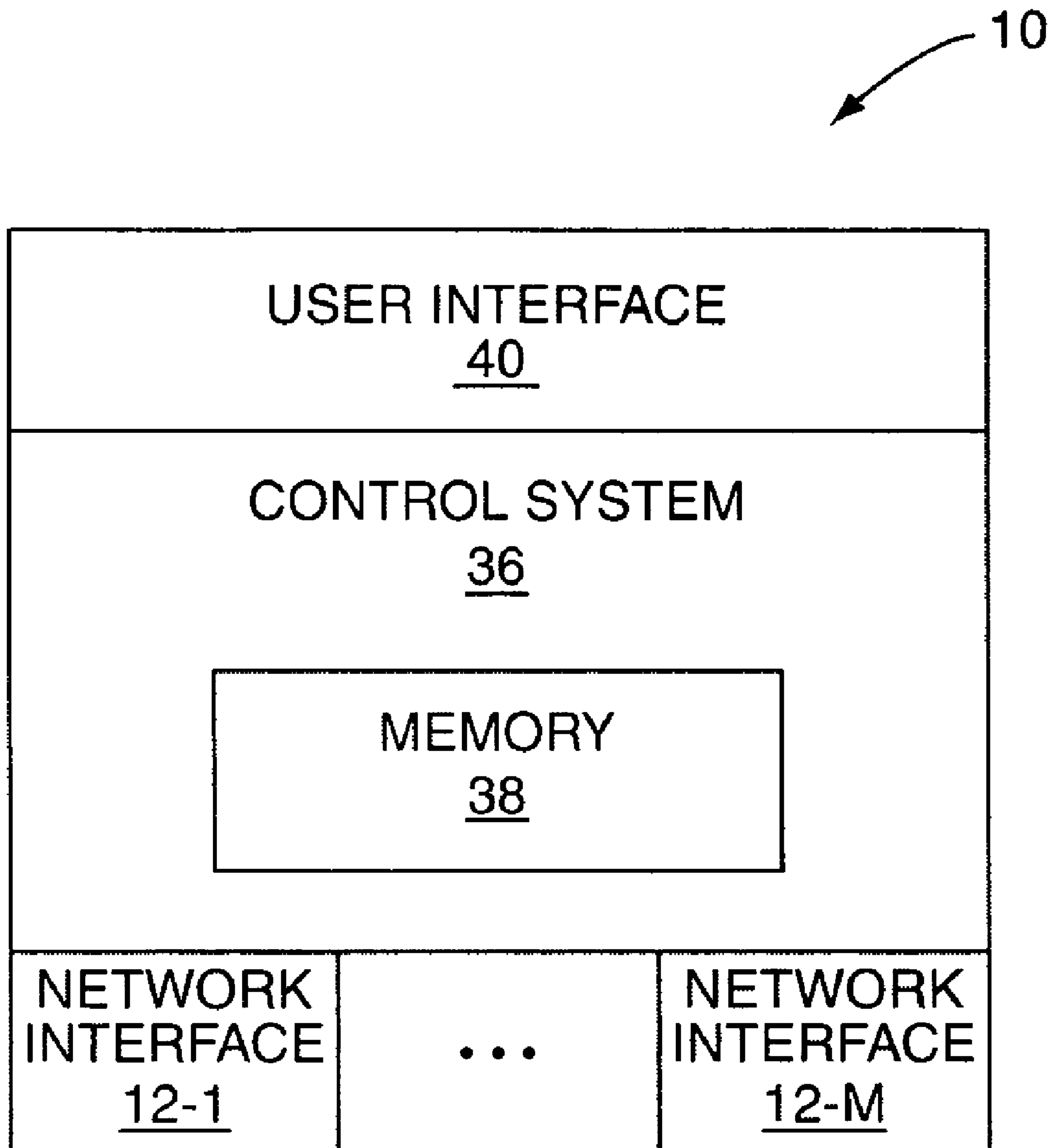


FIG. 4

1

CROSS-LAYER ARCHITECTURE FOR A NETWORK DEVICE

Matter enclosed in heavy brackets [] appears in the original patent but forms no part of this reissue specification; matter printed in italics indicates the additions made by reissue.

FIELD OF THE INVENTION

The present invention relates to a cross-layer architecture for a network device, and more specifically relates to a cross-layer architecture for a network device having multiple applications and network interface cards.

BACKGROUND OF THE INVENTION

In the classic seven layer Open Systems Interconnection (OSI) protocol stack for networking, communication and data sharing is restricted to adjacent layers in the protocol stack. The OSI protocol stack assumes a somewhat static performance of the low level protocol layers, such as the Media Access Control (MAC) layer and the physical layer (PHY). However, in wireless networks where the performance of the low level protocol layers and specifically the physical layer (PHY) is dynamic, the classic OSI protocol stack is not optimal. Changes in performance at the physical layer (PHY) result in rippling effects in the higher layers of the protocol stack. For example, as packets are dropped over an error prone wireless link, the Transmission Control Protocol (TCP) layer assumes network congestion at the Internet Protocol (IP) layer or high traffic loads within the network router. In response, the TCP layer overcompensates by slowing transmission rates.

Due to the non-optimal performance of the classic OSI model in wireless networks, cross-layering has emerged as a viable approach to gaining network performance. In general, cross-layering is when communication or data sharing is enabled between non-adjacent layers in the protocol stack in violation of the classic OSI model. One issue with known cross-layer architectures is that they do not support a network device having multiple applications interacting with multiple network interface cards. As such, there is a need for a cross-layer architecture for a network device having multiple applications interacting with multiple network interface cards.

SUMMARY OF THE INVENTION

The present invention provides a cross-layer architecture for a network device. In general, the network device includes a number of network interfaces each implementing a number of low level layers of a protocol stack and having a cross-layer agent associated with the low level layers of the protocol stack. The low level protocol stack layers may include a physical layer, a link layer, a network layer, and a protocol layer. The network device also includes an application based cross-layer agent associated with one or more high level protocol stack layers including an application layer. For example, the application layer may be a File Transfer Protocol (FTP) application. When the application layer desires to form a network connection to another network device, an arbitration agent operates to identify one of the network interfaces as a network interface for the network connection. Once the network interface is identified, the arbitration agent then effects interconnection of the application based cross-layer agent and the network based cross-layer agent of the network

2

interface and interconnection of the high level protocol stack layers including the application layer and the low level protocol stack layers of the network interface, thereby forming a complete protocol stack having a cross-layer architecture for the network connection.

Those skilled in the art will appreciate the scope of the present invention and realize additional aspects thereof after reading the following detailed description of the preferred embodiments in association with the accompanying drawing figures.

BRIEF DESCRIPTION OF THE DRAWING FIGURES

The accompanying drawing figures incorporated in and forming a part of this specification illustrate several aspects of the invention, and together with the description serve to explain the principles of the invention.

FIG. 1 illustrates an exemplary network device implementing the cross-layering architecture of the present invention;

FIG. 2 illustrates the messaging matrix for interconnecting application based cross-layer agents and network based cross-layer agents according to one embodiment of the present invention;

FIG. 3 is flowchart illustrating the operation of the network device according to an exemplary embodiment of the present invention; and

FIG. 4 is a block diagram of the network device of FIG. 1.

DETAILED DESCRIPTION OF THE PREFERRED EMBODIMENTS

The embodiments set forth below represent the necessary information to enable those skilled in the art to practice the invention and illustrate the best mode of practicing the invention. Upon reading the following description in light of the accompanying drawing figures, those skilled in the art will understand the concepts of the invention and will recognize applications of these concepts not particularly addressed herein. It should be understood that these concepts and applications fall within the scope of the disclosure and the accompanying claims.

The present invention relates to a cross-layer architecture for a network device having multiple applications and multiple network interfaces. An exemplary embodiment of a network device **10** incorporating the cross-layer architecture of the present invention is illustrated in FIG. 1. In general, the network device **10** includes a number of network interfaces **12-1** through **12-M**. It is to be understood that the network device **10** includes two or more network interfaces **12-1**, **12-M**. The network interfaces **12-1**, **12-M** may be wireless network interfaces, wired network interfaces, or a combination thereof. Exemplary wireless network interfaces are wireless network interfaces operating according to one or more of the suite of IEEE 802.11 standards (Wi-Fi), IEEE 802.16 standards (WiMAX), IEEE 802.15 standards (Personal Area Networks including Bluetooth and Zigbee), or the like. Exemplary wired network interfaces include an Ethernet network interface, a modem, or the like.

According to the present invention, the protocol stack of the Open System Interconnect (OSI) model is segmented such that low level layers of the protocol stack are implemented on the network interfaces **12-1**, **12-M**. In this exemplary embodiment, the traditional protocol stack is segmented such that Layers **1-4** are implemented on the network interfaces **12-1**, **12-M** and all layers above and including Layer **5** are implemented, for example, in software executed by a

control system of the network device **10**. However, the present invention is not limited thereto. Segmentation of the protocol stack may occur at any desired point in the protocol stack. Further, the segmentation of the protocol stack may vary among the network interfaces **12-1**, **12-M**.

More specifically, in this embodiment, the network interface **12-1** implements low level protocol stack layers **14-1** through **20-1**. The low level protocol stack layers **14-1** through **20-1** may be implemented in hardware, software, or a combination of hardware and software and include a physical layer **14-1**, a link layer **16-1**, a network layer **18-1**, and a transport layer **20-1**. The physical layer **14-1** is an IEEE 802.11x physical layer; the link layer **16-1** is a Media Access Control (MAC) layer; the network layer **18-1** is an Internet Protocol (IP) layer; and the transport layer **20-1** provides both a Transfer Control Protocol (TCP) service and a User Datagram Protocol (UDP) service. Likewise, the network interface **12-M** implements low level protocol stack layers **14-M** through **20-M**. Note that IEEE 802.11x is used refer generically to any one of the suite of IEEE 802.11 standards.

The network device **10** also includes user applications **22**, **24** and a number of Layer 7 applications **26-1** through **26-N**. In general, the user applications **22**, **24** may be any applications desiring use of one or more of the network interfaces **12-1**, **12-M**. Each of the user applications **22**, **24** may be, for example, a web browser, an e-mail application, an application for synchronizing e-mail between the network device **10** and a secondary device such as a Personal Digital Assistant (PDA), an application for streaming digital video to other network devices, a peer-to-peer photo or video sharing application, or the like. In this exemplary embodiment, the Layer 7 application **26-1** is a File Transfer Protocol (FTP) application and is used by the user application **22**. As discussed below in more detail, the FTP application **26-1** forms an application layer and may be coupled to one or more of the network interfaces **12-1**, **12-M** to form a complete protocol stack. In a similar fashion, the Layer 7 application **26-N** is a Real-time Transfer Protocol (RTP) and RTP Control (RTPC) application used by the user application **24**. The RTP/RTPC application **26-N** forms an application layer and may be coupled to one or more of the network interfaces **12-1**, **12-M** to form a complete protocol stack.

To provide cross-layer functionality, the network device **10** also includes network based cross-layer agents **28-1** through **28-M** associated with the network interfaces **12-1** through **12-M**; application based cross-layer agents **30-1** through **30-N** associated with the Layer 7 applications **26-1** through **26-N**; an arbitration agent **32**; and a messaging matrix **34**. The network based cross-layer agents **28-1**, **28-M** are implemented on the network interfaces **12-1**, **12-M** in hardware, software, or a combination of hardware and software. The network based cross-layer agent **28-1** provides or facilitates information-sharing between and control of the low level protocol stack layers **14-1** through **20-1**, as will be apparent to one of ordinary skill in the art upon reading this disclosure. In addition, as described below in more detail, the network based cross-layer agent **28-1** may be associated with the application based cross-layer agents **30-1**, **30-N** by the arbitration agent **32** and the messaging matrix **34** to facilitate information-sharing between and control of the low level protocol stack layers **14-1** through **20-1** and the upper protocol stack layers when desired.

In a similar fashion, the network based cross-layer agent **28-M** provides or facilitates information-sharing between and control of the low level protocol stack layers **14-M** through **20-M**, as will be apparent to one of ordinary skill in the art upon reading this disclosure. In addition, as described

below in more detail, the network based cross layer agent **28-M** may be associated with the application based cross-layer agents **30-1**, **30-N** by the arbitration agent **32** and the messaging matrix **34** to facilitate information-sharing between and control of the low level protocol layers **14-M** through **20-M** and the upper protocol stack layers when desired.

The application based cross-layer agents **30-1** and **30-N** are associated with, in this example, the FTP application **26-1** and the RTP/RTPC application **26-N**, respectively, and operate to facilitate information-sharing and control between the protocol stack layers. The application based cross-layer agents **30-1** and **30-N** are preferably implemented in software executed by a control system of the network device **10**, but may alternatively be implemented in hardware or a combination of hardware and software.

The arbitration agent **32** is preferably implemented in software, but may alternatively be implemented in hardware or a combination of hardware and software. The arbitration agent **32** operates to associate the application based cross-layer agents **30-1**, **30-N** with one or more of the network based cross-layer agents **28-1**, **28-M** as needed. For example, if the user application **22** desires to transfer a file to another network device via the FTP application **26-1**, the arbitration agent **32** may determine that the network interface **12-1** is capable of or preferred for providing a network connection to the other network device based on, for example, an IP address or Uniform Resource Locator (URL) of the other network device. Then, by controlling the messaging matrix **34**, the arbitration agent **32** operates to interconnect the FTP application **26-1** and the network interface **12-1** and interconnect the application based cross-layer agent **30-1** and the network based cross-layer agent **28-1** to provide a complete protocol stack having a cross-layer architecture for the network connection.

The implementation of the messaging matrix **34** may depend on the particular implementation of the network device **10** and specifically the network interfaces **12-1**, **12-M**. The messaging matrix **34** may be implemented in software, hardware, or a combination of hardware and software. In operation, the messaging matrix **34** operates to interconnect the applications **26-1**, **26-N** of the upper protocol layers with the network interfaces and application based cross-layer agents **30-1**, **30-N** with the network based cross-layer agents **28-1**, **28-M** under the control of the arbitration agent **32**.

FIG. 2 more specifically illustrates the operation of the arbitration agent **32** and the messaging matrix **34** to interconnect application based cross-layer agents **30-1** through **30-4** and network based cross-layer agents **28-1** through **28-4**. Note that in this example, there are four application based cross-layer agents and four network based cross-layer agents. However, the present invention is not limited thereto. As illustrated, each "X" identifies a potential interconnection between one of the application based cross-layer agents **30-1**, **30-2**, **30-3**, **30-4** and one of the network based cross-layer agents **28-1**, **28-2**, **28-3**, **28-4**. Thus, the arbitration agent **32** may control the messaging matrix **34** to interconnect the application based cross-layer agent **30-1** to any one or any combination of the network based cross-layer agents **28-1** through **28-4**. Note that the application based cross-layer agent **30-1** may desirably be connected to more than one of the network based cross-layer agents **28-1** through **28-4** when, for example, the network device **10** operates according to the proposed IEEE 802.11n standard, which provides for Multiple Input Multiple Output (MIMO) operation. Likewise, for each of the other application based cross-layer agents **30-2** through **30-4**, the arbitration agent **32** may control the messaging matrix **34** to interconnect the application

based cross-layer agents **30-2** through **30-4** to one or more of the network based cross-layer agents **28-1** through **28-4** when desired.

FIG. 3 is a flow chart illustrating the operation of the network device **10** according to an exemplary embodiment of the present invention. In this example, the user application **22** is a web browser application. Operation begins when the web browser application **22** calls the FTP application **26-1** with an IP address or Uniform Resource Locator (URL) identifying another network device with which a network connection is desired (step **100**). The FTP application **26-1** then calls the associated application based cross-layer agent **30-1** with the IP address or URL (step **102**). In response, the application based cross-layer agent **30-1** sends a request including the IP address or URL to the arbitration agent **32** for an appropriate network based cross-layer agent **28-1**, **28-M** (step **104**). The arbitration agent **32** matches the IP address or URL to one of the network based cross-layer agents **28-1**, **28-M** (step **106**). More specifically, the arbitration agent **32** may determine which of the network interfaces **12-1**, **12-M** is capable of or is preferred for establishing a network connection with the other network device based on the IP address or URL of the other network device and associated network availability. Once the network device **12-1**, **12-M** is identified, the network based cross-layer agent **28-1**, **28-M** associated with the identified network interface **12-1**, **12-M** is identified as the desired network based cross-layer agent. In this example, the network based cross layer agent **28-1** is identified as the desired network based cross-layer agent.

The arbitration agent **32** then sends a request to the network based cross-layer agent **28-1** with the IP address or URL of the other network device (step **108**). The network based cross-layer agent **28-1** sends a response to the arbitration agent **32** including information indicating whether the network interface **12-1** has the ability to accept an interface to the FTP application **26-1** and, if so, appropriate protocol stack interface criteria including data and messaging requirements for the interface between the protocol stack layers (step **110**). The response may indicate whether the network interface **12-1** is currently in use such that bandwidth is unavailable or is limited. If the network interface **12-1** is currently in use, the arbitration agent **32** may determine a priority assigned to the current connection maintained by the network interface **12-1**, a priority assigned to the desired transfer by the FTP application **26-1**, and optionally other criteria such as an expected duration of the current network connection of the network interface **12-1** or the like. Depending on these factors, the arbitration agent **32** may determine whether to wait until the current network connection of the network interface **12-1** has been terminated or to immediately terminate the current network connection such that the FTP application **26-1** is given immediate access to the network interface **12-1**.

In another embodiment, if the network interface **12-1** is in use, the arbitration agent **32** may interact with the network based cross-layer agent **28-1** to determine whether the network interface **12-1** has the ability to establish parallel communication channels. For example, if the network interface **12-1** is a wireless network interface, the arbitration agent **32** may determine whether the network interface **12-1** is capable of establishing two parallel wireless communication links on non-overlapping channels. If so, the arbitration agent **32** may operate such that the network interface **12-1** establishes a second, parallel communication link for the FTP application **26-1**. If not, the arbitration agent **32** may operate such that the FTP application **26-1** waits until the network interface **12-1** is no longer in use or alternatively shares the bandwidth of the

network interface **12-1** with the other application currently using the network interface **12-1**.

In this example, the network interface **12-1** has the ability to accept an interface to the FTP application **26-1**. Upon receiving the response, the arbitration agent selects an appropriate connection in the messaging matrix **34** to interconnect the application based cross-layer agent **30-1** to the network based cross-layer agent **28-1** (step **112**). In addition, the messaging matrix **34** is controlled by the arbitration agent **32** to interconnect the FTP application **26-1** to the network interface **12-1**.

At this point, the arbitration agent **32** may provide additional functionality by optimizing the cross-layer strategy. For example, the network interface **12-1** may be a wireless network interface operating according to one of the suite of IEEE 802.11 standards. Based on the IP address or URL and information from the network based cross-layer agent **28-1**, the arbitration agent **32** may determine that the other network device identified by the IP address or URL is within a local wireless coverage area of the network interface **12-1** such that a direct point-to-point wireless connection may be established between the two network devices. Thus, in order to provide a more efficient transfer, the arbitration agent **32** may interact with the network based cross-layer agent **28-1** and optionally the application based cross-layer agent **30-1** to bypass, for example, the transport layer **20-1** and the network layer **18-1**.

Once the appropriate connection in the messaging matrix **34** is made, the arbitration agent **32** notifies the application based cross-layer agent **30-1** of the protocol stack interface criteria (step **114**), and an FTP session is established via the FTP application **26-1** and the network interface **12-1** (step **116**). In the situation where the transport layer **20-1** and the network layer **18-1** are bypassed, the arbitration agent **32** may monitor the performance of the network interface **12-1** during the FTP session. If the performance of the network interface **12-1** is less than desired, the arbitration agent **32** may interact with the network based cross-layer agent **28-1** and optionally the application based cross-layer agent **30-1** such that the transport layer **20-1** and the network layer **18-1** are no longer bypassed.

When the FTP session terminates (step **118**), the application based cross-layer agent **30-1** notifies the arbitration agent **32** of the termination of the FTP session (step **120**). Then, the arbitration agent **32** notifies the network based cross-layer agent **28-1** of the termination of the FTP session (step **122**) and disconnects the application based cross-layer agent **30-1** and the network based cross-layer agent **28-1** in the messaging matrix **34** (step **124**).

FIG. 4 is a block diagram of an exemplary embodiment of the network device **10**. In general, the network device **10** includes a control system **36** having associated memory **38**. The control system **36** may include hardware, software, or a combination of hardware and software and is not intended to be limited to a central processing unit. In this example, the user applications **22**, **24**, the applications **26-1** through **26-N**, the application based cross-layer agents **30-1** through **30-N**, the arbitration agent **32**, and the messaging matrix **34** are implemented in software and stored in the memory **38**. However, as discussed above, the present invention is not limited thereto. More specifically, the application based cross-layer agents **30-1** through **30-N**, the arbitration agent **32**, and the messaging matrix **34** may each be implemented in the control system **36** as software, hardware, or a combination of hardware and software. The network device **10** also includes the network interfaces **12-1** through **12-M**. As discussed above, the network interfaces **12-1**, **12-M** implement low level pro-

7

protocol stack layers 14-1 through 20-1 and 14-M through 20-M. The low level protocol stack layers 14-1 through 20-1 and 14-M through 20-M are preferably implemented in hardware, but may alternatively be implemented in a combination of hardware and software. In addition, the network interfaces 12-1, 12-M preferably include the network based cross-layer agents 28-1 and 28-M, respectively, which may be implemented in hardware or a combination of hardware and software. The network device 10 may also include a user interface 40.

Those skilled in the art will recognize improvements and modifications to the preferred embodiments of the present invention. All such improvements and modifications are considered within the scope of the concepts disclosed herein and the claims that follow.

What is claimed is:

1. A [network] device comprising:

a plurality of network interfaces each implementing at least one low level protocol stack layer and comprising a network based cross-layer agent associated with the at least one low level protocol stack layer; and

a control system associated with the plurality of network interfaces and comprising:

an application based cross-layer agent associated with at least one high level protocol stack layer including an application layer, the application based cross-layer agent adapted to obtain information identifying a [second] network device with which the application layer desires to establish a network connection and provide the information identifying the [second] network device to an arbitration agent; and

the arbitration agent adapted to:

identify the one of the plurality of network interfaces as a network interface for establishing a network connection with the [second] network device based on the information identifying the [second] network device;

effect interconnection of the at least one high level protocol stack layer and the one of the plurality of network interfaces identified as the network interface for establishing the network connection with the [second] network device; and

effect interconnection of the network based cross-layer agent of the one of the plurality of network interfaces identified as the network interface for establishing the network connection with the [second] network device and the application based cross-layer agent for a duration of the network connection, thereby providing a complete protocol stack having a cross-layer architecture for the network connection.

2. The [network] device of claim 1 wherein the plurality of network interfaces are a plurality of network interface cards.

3. The [network] device of claim 2 wherein for each one of the plurality of network interface cards, the network based cross-layer agent is implemented on the one of the plurality of network interface cards.

4. The [network] device of claim 1 wherein the at least one low level protocol stack layer comprises a physical layer, a link layer, a network layer, and a transport layer, and the at least one high level protocol stack layer comprises protocol stack layers above the transport layer including the application layer.

5. The [network] device of claim 1 wherein the control system further comprises a messaging matrix controlled by the arbitration agent, wherein the arbitration agent is further adapted to control the messaging matrix to effect intercon-

8

nection of the at least one high level protocol stack layer and the one of the plurality of network interfaces identified as the network interface for establishing the network connection with the [second] network device and effect interconnection of the network based cross-layer agent of the one of the plurality of network interfaces identified as the network interface for establishing the network connection with the [second] network device and the application based cross-layer agent for a duration of the network connection.

6. The [network] device of claim 1 wherein the control system further comprises:

a plurality of application based cross-layer agents including the application based cross-layer agent each associated with at least one high level protocol stack layer including a corresponding one of a plurality of application layers including the application layer; and

a messaging matrix controlled by the arbitration agent and adapted to interconnect select ones of the plurality of application based cross-layer agents and the network based cross-layer agents of the plurality of network interfaces.

7. A method of operation of a network device to interconnect an application based cross-layer agent and one of a plurality of network based cross-layer agents in the network device, the application based cross-layer agent associated with at least one high level protocol stack layer including an application layer and the plurality of network based cross-layer agents each associated with at least one low level protocol stack layer of a corresponding one of a plurality of network interfaces, comprising:

obtaining information identifying a second network device with which the application layer desires to establish a network connection;

identifying a one of the plurality of network interfaces as a network interface for establishing the network connection;

interconnecting the at least one high level protocol stack layer and the at least one low level protocol stack layer of the one of the plurality of network interfaces identified as the network interface for establishing the network connection; and

interconnecting the application based cross-layer agent and the one of the plurality of network based cross-layer agents associated with the at least one low level protocol stack layer of the one of the plurality of network interfaces during the network connection such that a complete protocol stack having a cross-layer architecture is provided for the network connection.

8. The method of claim 7 wherein interconnecting the application based cross-layer agent and the one of the plurality of network based cross-layer agents comprises controlling a messaging matrix to interconnect the one of the plurality of network based cross-layer agents and the application based cross-layer agent.

9. The method of claim 7 wherein the at least one low level protocol stack layer comprises a physical layer, a link layer, a network layer, and a transport layer, and interconnecting the at least one high level protocol stack layer to the at least one low level protocol stack layer comprises interconnecting the at least one high level protocol stack layer to the transport layer of the one of the plurality of network interfaces.

10. The method of claim 7 wherein the network device further comprises a plurality of application based cross-layer agents including the application based cross-layer agent each associated with at least one high level protocol stack layer including a corresponding application layer, and interconnecting the application based cross-layer agent and the one of

the plurality of network based cross-layer agents comprises controlling a messaging matrix adapted to interconnect select ones of the plurality of network based cross-layer agents and the plurality of application based cross-layer agents.

11. A system for interconnecting an application based cross-layer agent and one of a plurality of network based cross-layer agents in a [network] device, the application based cross-layer agent associated with at least one high level protocol stack layer including an application layer and the plurality of network based cross-layer agents each associated with at least one low level protocol stack layer of a corresponding one of a plurality of network interfaces, comprising:

means for obtaining information identifying a second [network] device with which the application layer desires to establish a network connection;

means for identifying a one of the plurality of network interfaces as a network interface for establishing the network connection;

means for interconnecting the at least one high level protocol stack layer and the at least one low level protocol stack layer of the one of the plurality of network interfaces identified as the network interface for establishing the network connection; and

means for interconnecting the application based cross-layer agent and the one of the plurality of network based cross-layer agents associated with the at least one low level protocol stack layer of the one of the plurality of network interfaces during the network connection such that a complete protocol stack having a cross-layer architecture is provided for the network connection.

12. The system of claim 11 wherein the means for interconnecting the application based cross-layer agent and the one of the plurality of network based cross-layer agents comprises a means for controlling a messaging matrix to interconnect the one of the plurality of network based cross-layer agents and the application based cross-layer agent.

13. The system of claim 11 wherein the at least one low level protocol stack layer comprises a physical layer, a link layer, a network layer, and a transport layer, and the means for interconnecting the at least one high level protocol stack layer to the at least one low level protocol stack layer interconnects

the at least one high level protocol stack layer to the transport layer of the one of the plurality of network interfaces.

14. The system of claim 11 wherein the [network] device further comprises a plurality of application based cross-layer agents including the application based cross-layer agent each associated with at least one high level protocol stack layer including a corresponding application layer, and the means for interconnecting the application based cross-layer agent and the one of the plurality of network based cross-layer agents comprises a means for controlling a messaging matrix adapted to interconnect select ones of the plurality of network based cross-layer agents and the plurality of application based cross-layer agents.

15. *A method of operating a device having a plurality of network interfaces each implementing at least one low level protocol stack layer and an application based cross-layer agent associated with at least one high level protocol stack layer including an application layer, the method comprising:*

obtaining information identifying a second device with which the application layer desires to establish a network connection and provide the information identifying the second device to an arbitration agent;

identifying one of the plurality of network interfaces as a network interface for establishing a network connection with the second device based on the information identifying the second device;

effecting interconnection of the at least one high level protocol stack layer and the one of the plurality of network interfaces identified as the network interface for establishing the network connection with the second device; and

effecting interconnection of network based cross-layer agent of the one of the plurality of network interfaces identified as the network interface for establishing the network connection with the second device and the application based cross-layer agent for a duration of the network connection, thereby providing a complete protocol stack having a cross-layer architecture for the network connection.

16. *The device of claim 1, wherein the device is a network device.*

* * * * *