



US00RE43781E

(19) **United States**
(12) **Reissued Patent**
Yoshino

(10) **Patent Number:** **US RE43,781 E**
(45) **Date of Reissued Patent:** **Nov. 6, 2012**

(54) **VACUUM TRANSFER ROBOT**

D552,138 S * 10/2007 Kondo et al. D15/199
(Continued)

(75) Inventor: **Takahiro Yoshino**, Chigasaki (JP)

(73) Assignee: **Ulvac, Inc.**, Chigasaki-shi, Kanagawa (JP)

Primary Examiner — Patricia Palasik
(74) *Attorney, Agent, or Firm* — Harness, Dickey & Pierce, P.L.C

(21) Appl. No.: **29/409,392**

(22) Filed: **Dec. 22, 2011**

(57) **CLAIM**
The ornamental design for a vacuum transfer robot, as shown and described.

Related U.S. Patent Documents

Reissue of:

(64) Patent No.: **Des. 639,323**
Issued: **Jun. 7, 2011**
Appl. No.: **29/361,139**
Filed: **May 6, 2010**

DESCRIPTION

(30) **Foreign Application Priority Data**

Nov. 17, 2009 (JP) 2009-026910

(51) **LOC (9) Cl.** **15-09**

(52) **U.S. Cl.** **D15/199; D13/182**

(58) **Field of Classification Search** D13/182;
D15/199; 74/479.01, 490.01, 490.05; 134/110;
198/346.2; 361/234; 396/611; 414/217,
414/331.15, 411, 416.03, 744.1, 744.2, 744.3,
414/744.5, 935, 937, 939, 941; 438/14
See application file for complete search history.

FIG. 1 is a front, top and right side perspective view of a vacuum transfer robot showing our new design with all arms in a folded state;
FIG. 2 is a front elevational view thereof shown in FIG. 1;
FIG. 3 is a rear elevational view thereof shown in FIG. 1;
FIG. 4 is a top plan view thereof shown in FIG. 1;
FIG. 5 is a bottom plan view thereof shown in FIG. 1;
FIG. 6 is a right side elevational view thereof shown in FIG. 1;
FIG. 7 is a left side elevational view thereof shown in FIG. 1;
FIG. 8 is a front, top and right side perspective view of the vacuum transfer robot with the upper arms in an extended state;
FIG. 9 is a front elevational view thereof shown in FIG. 8;
FIG. 10 is a rear elevational view thereof shown in FIG. 8;
FIG. 11 is a top plan view thereof shown in FIG. 8;
FIG. 12 is a bottom plan view thereof shown in FIG. 8;
FIG. 13 is a right side elevational view thereof shown in FIG. 8; and,
FIG. 14 is a left side elevational view thereof shown in FIG. 8.

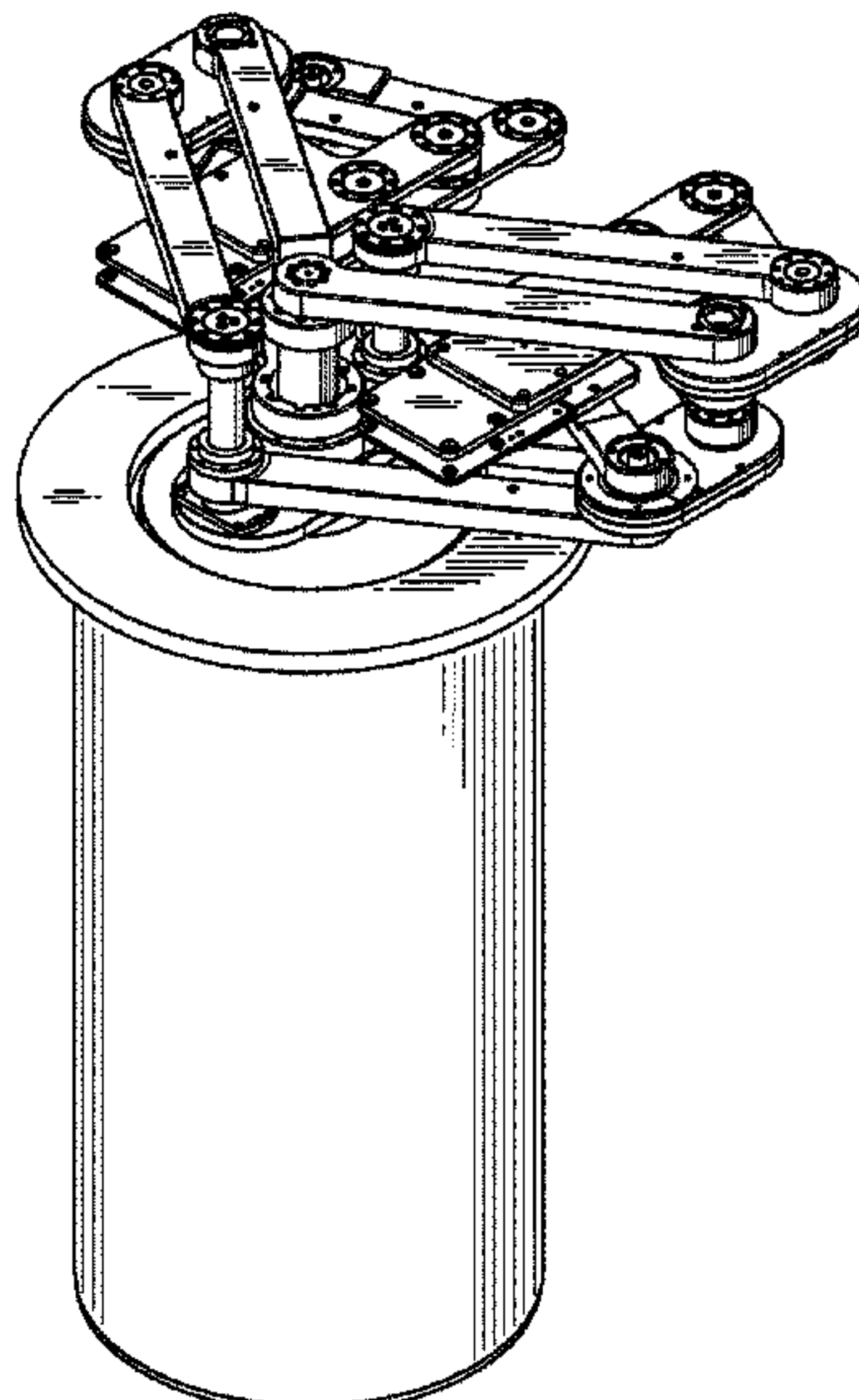
(56) **References Cited**

U.S. PATENT DOCUMENTS

D323,332 S * 1/1992 Ishii et al. D15/199
6,102,649 A * 8/2000 Ogawa et al. 414/744.5
6,109,860 A * 8/2000 Ogawa et al. 414/744.5
6,155,131 A * 12/2000 Suwa et al. 74/490.05
6,190,114 B1 * 2/2001 Ogawa et al. 414/744.5
6,364,599 B1 * 4/2002 Suwa et al. 414/744.1
RE37,731 E * 6/2002 Ogawa et al. 74/490.01
7,056,080 B2 * 6/2006 Ogawa et al. 414/744.5
7,114,907 B2 * 10/2006 Ogawa et al. 414/744.5

1 Claim, 14 Drawing Sheets

Matter enclosed in heavy brackets [] appears in the original patent but forms no part of this reissue; matter printed in italics indicates the additions made by reissue.



US RE43,781 E

Page 2

U.S. PATENT DOCUMENTS

7,306,423	B2 *	12/2007	Ogawa et al.	414/749.1	2007/0004058	A1 *	1/2007	Lee et al.	438/14
D625,748	S *	10/2010	Yoshino	D15/199	2007/0183868	A1 *	8/2007	Son	414/217
2002/0114690	A1 *	8/2002	Ishigame	414/744.5	2008/0023293	A1 *	1/2008	Uratani et al.	198/346.2
2003/0012631	A1 *	1/2003	Pencis et al.	414/744.5	2008/0118338	A1 *	5/2008	Huang et al.	414/744.3
2003/0014155	A1 *	1/2003	Pencis et al.	700/213	2009/0093906	A1 *	4/2009	Takizawa et al.	700/214
2005/0079043	A1 *	4/2005	Ogawa et al.	414/744.2	2009/0142163	A1 *	6/2009	Genetti et al.	414/217
2005/0118010	A1 *	6/2005	Ogawa et al.	414/744.1	2010/0101357	A1 *	4/2010	Aoki et al.	74/490.05
2005/0217053	A1 *	10/2005	Kim et al.	15/250.21	2010/0161124	A1 *	6/2010	Kimura	700/251

* cited by examiner

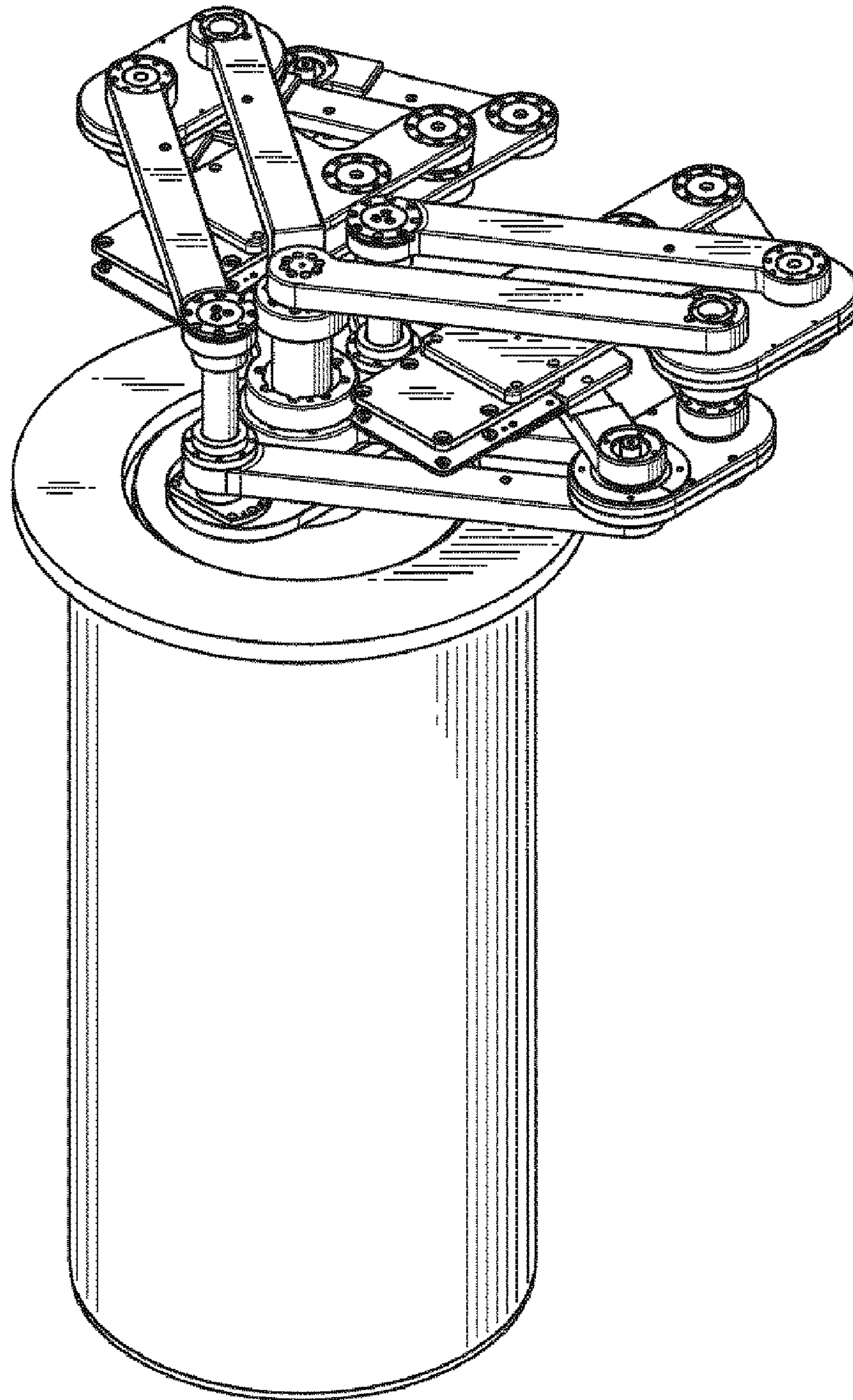


FIG. 1

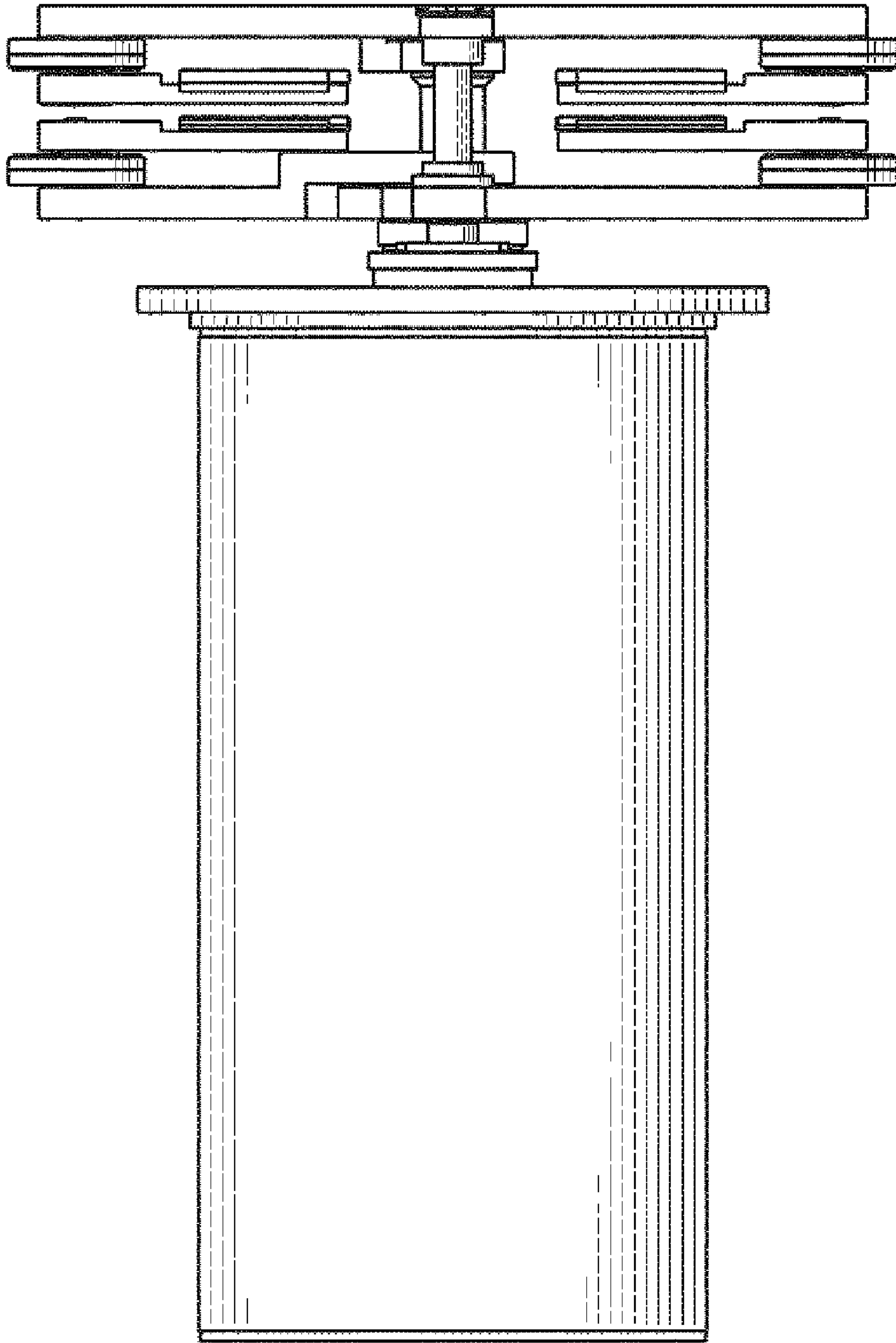


FIG. 2

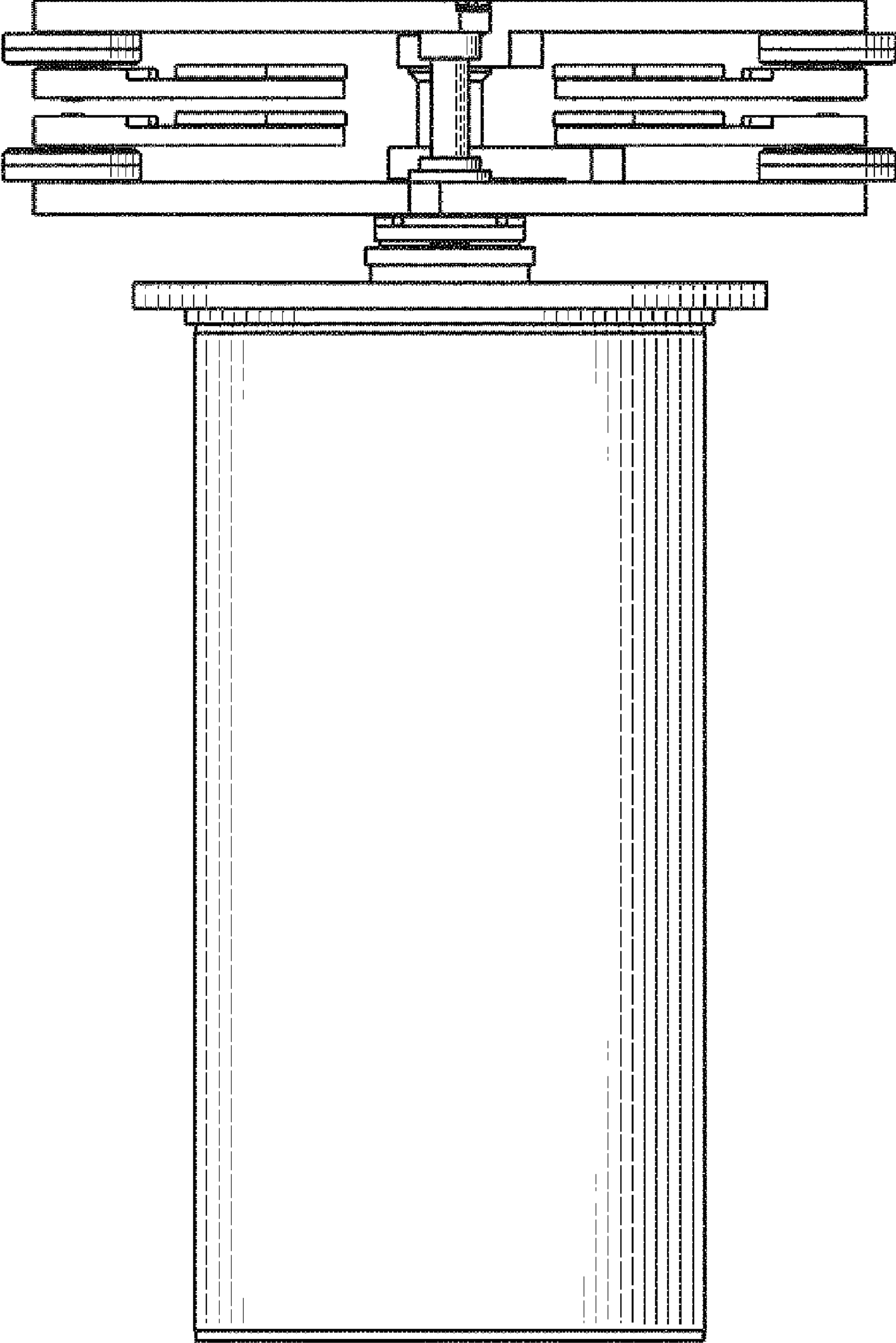


FIG. 3

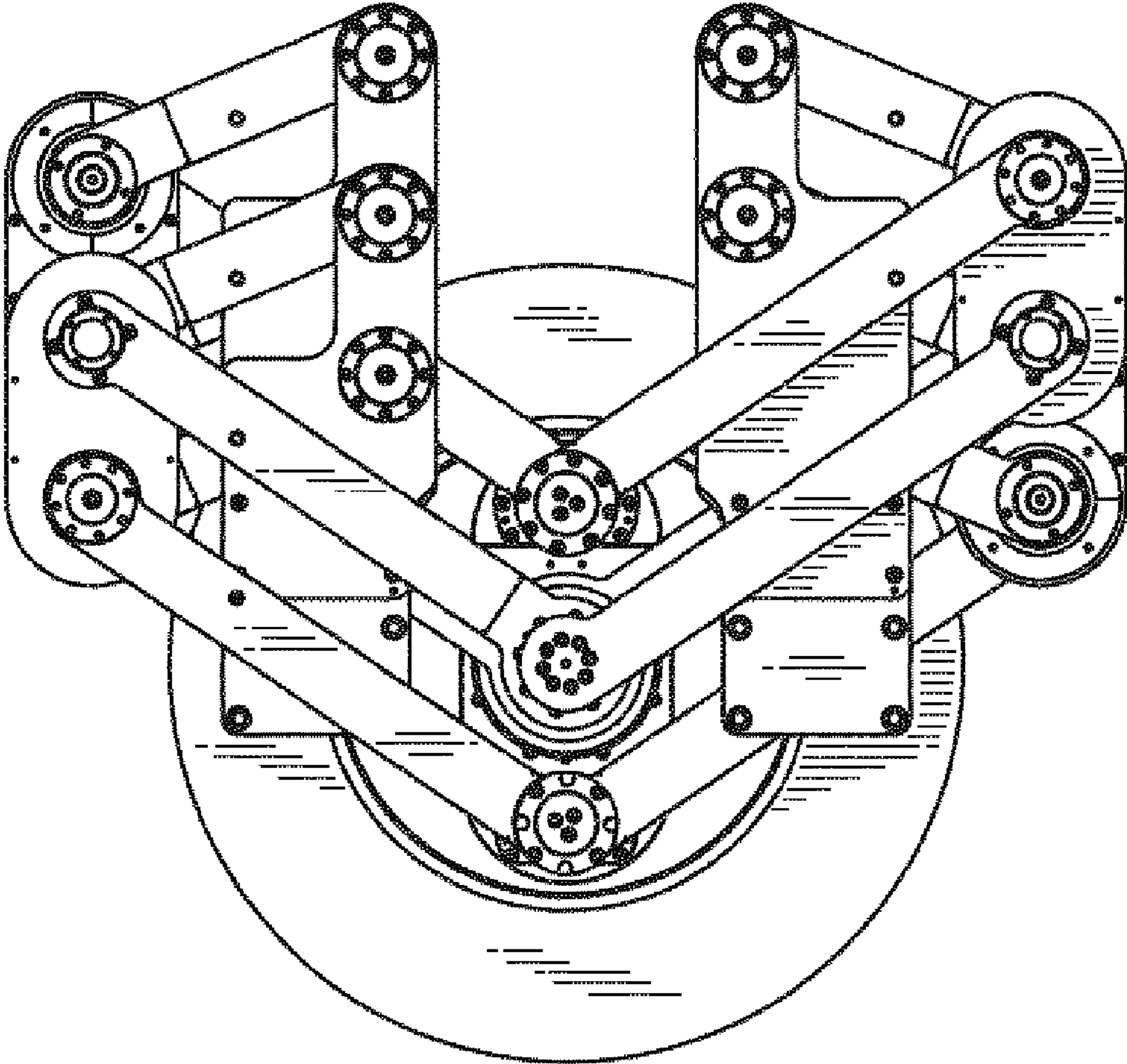


FIG. 4

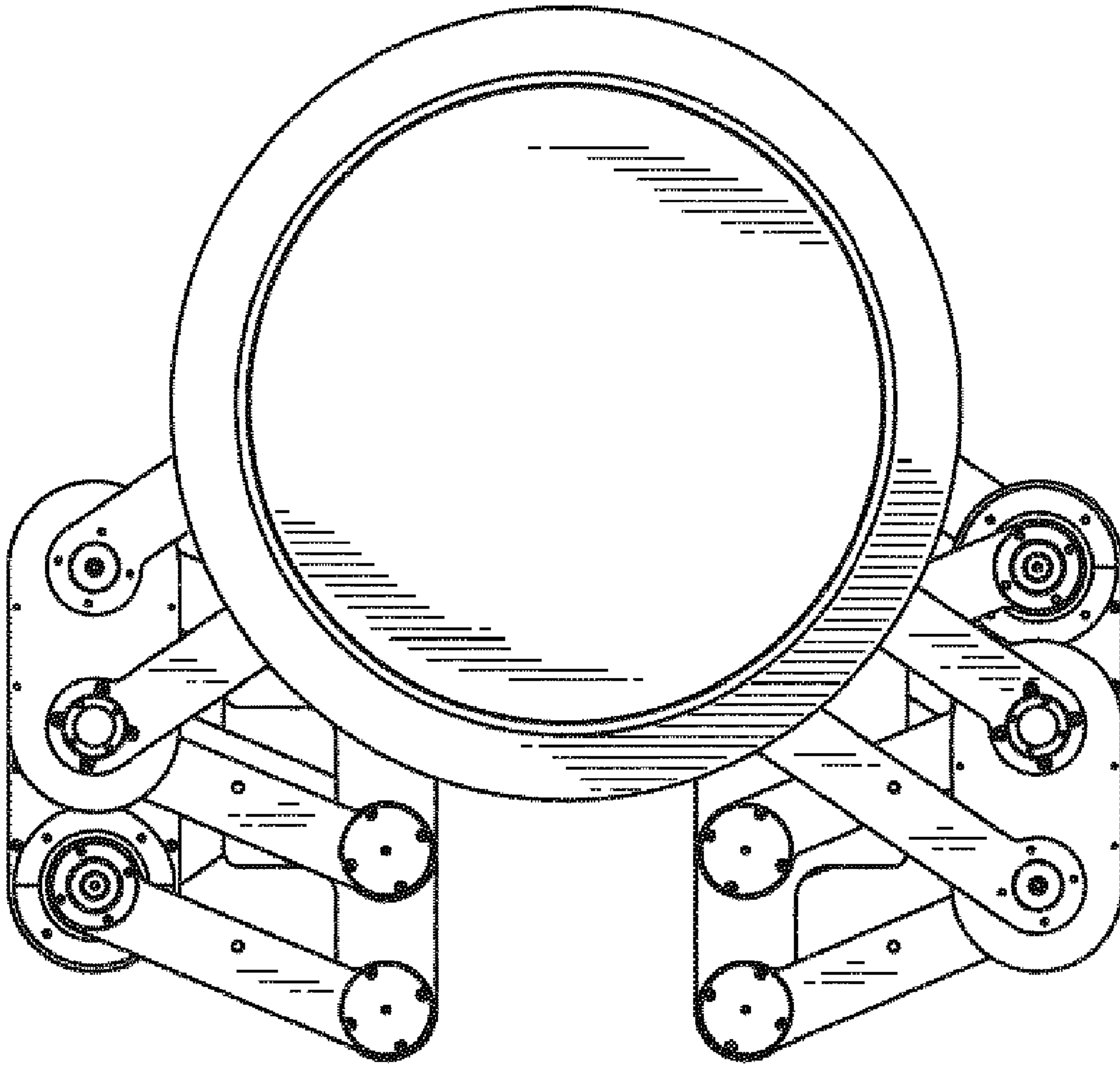


FIG. 5

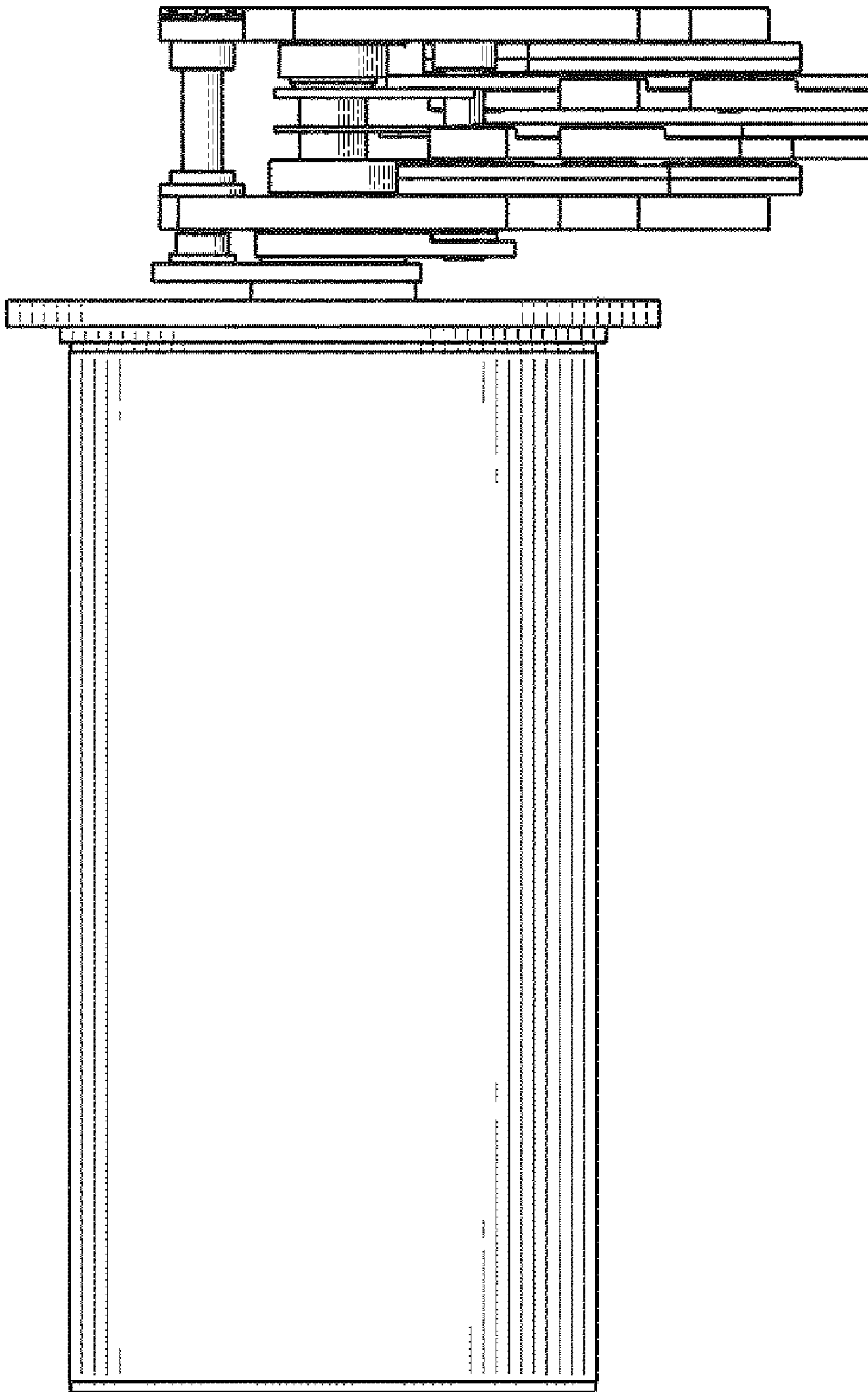


FIG. 6

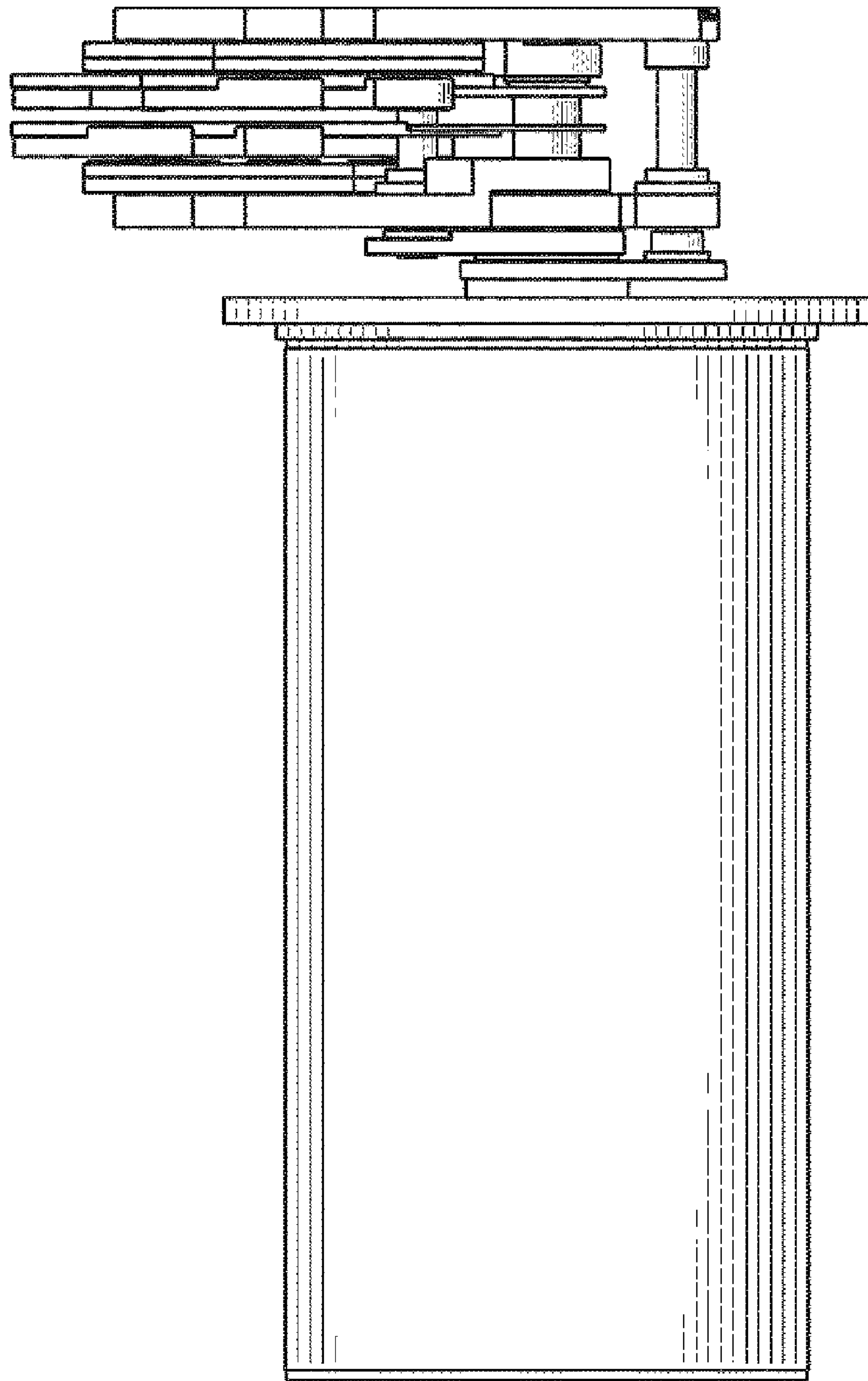


FIG. 7

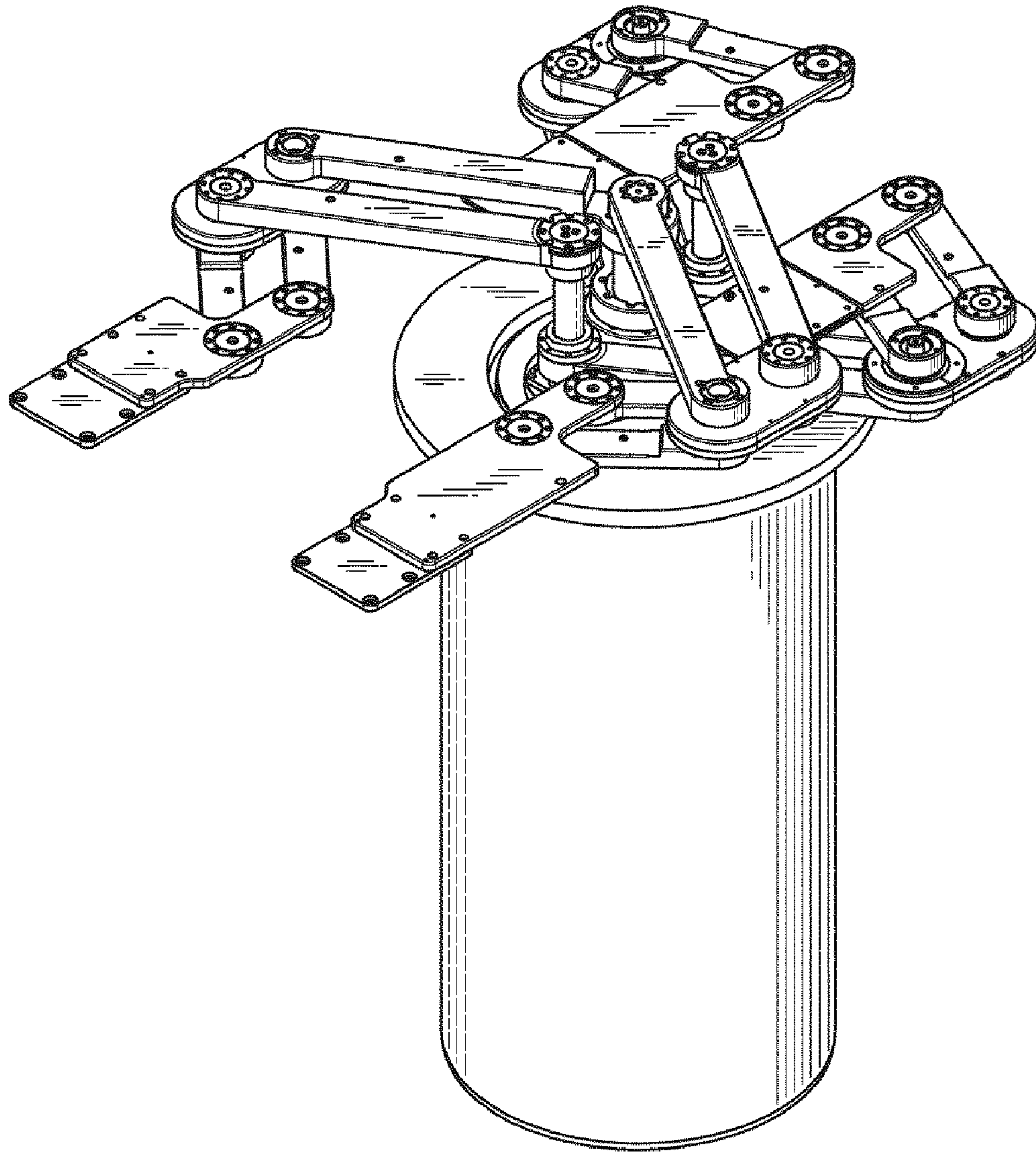


FIG. 8

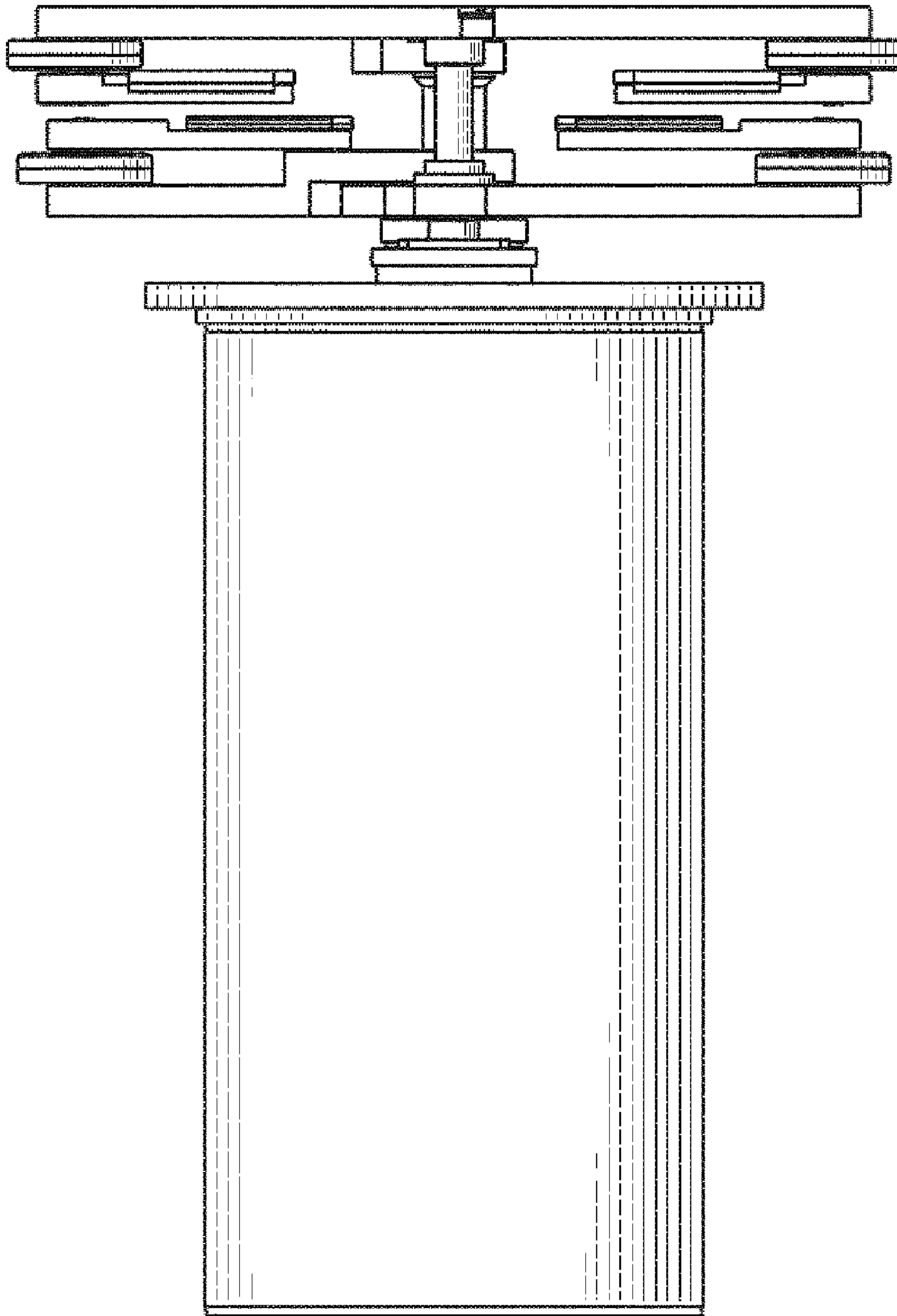


FIG. 9

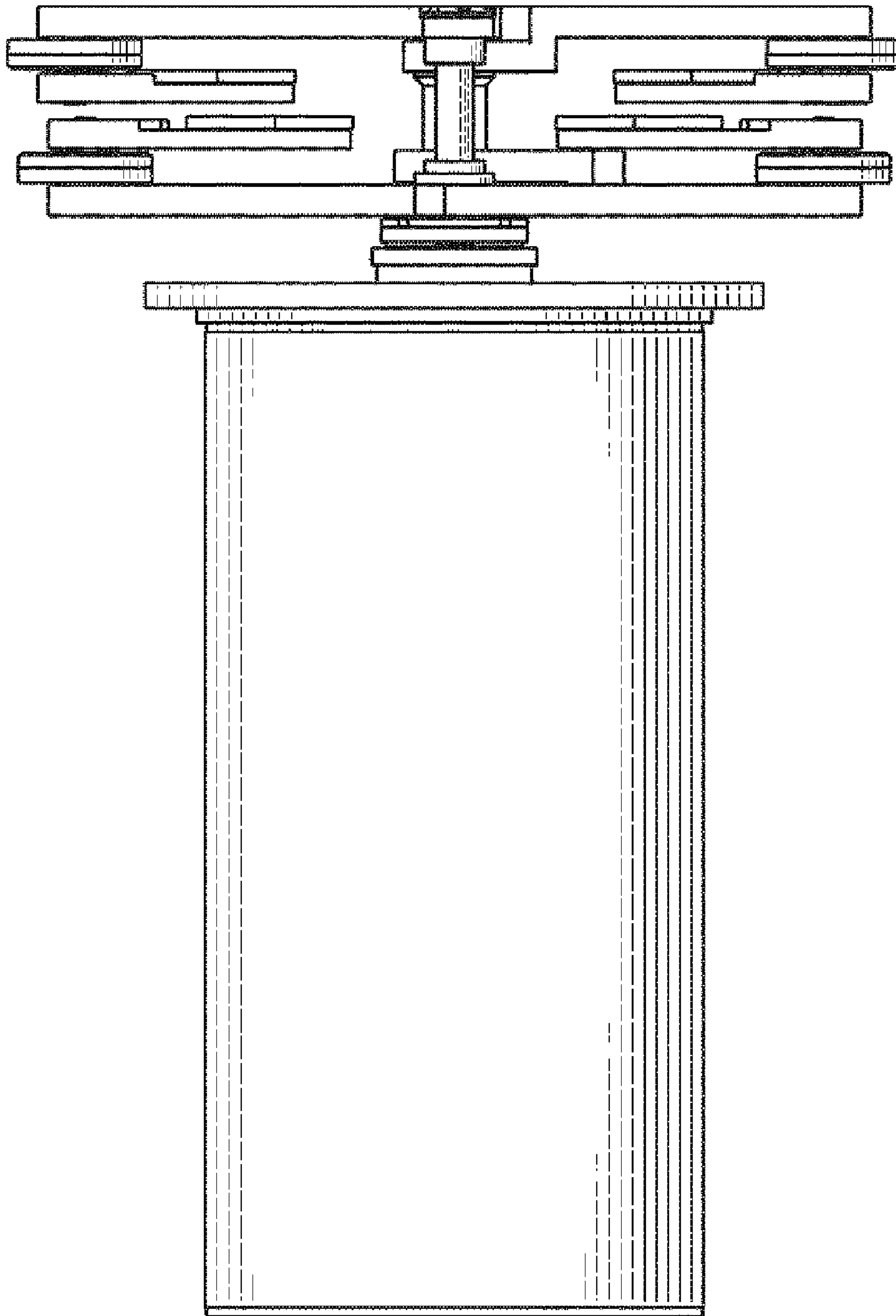


FIG. 10

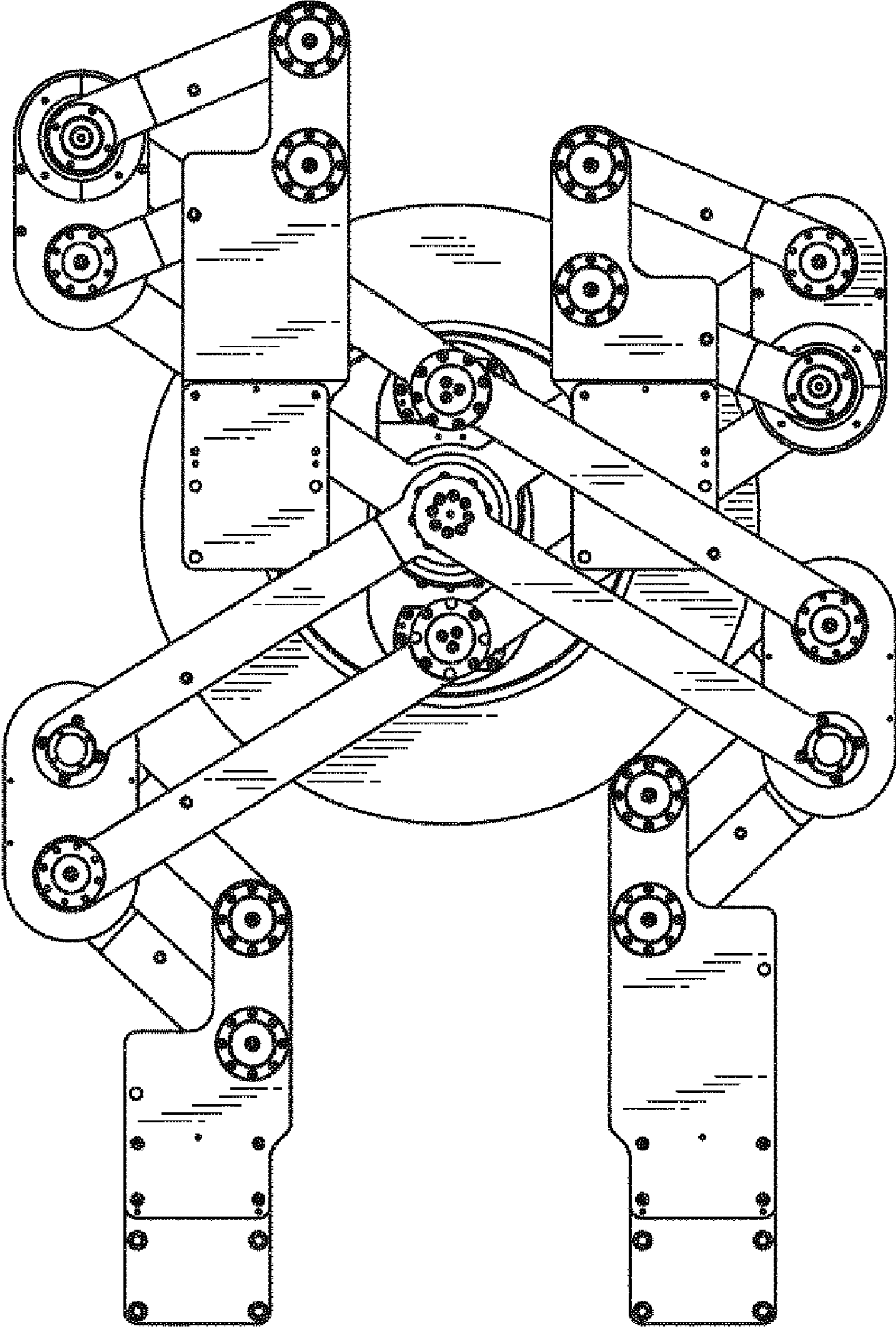


FIG. 11

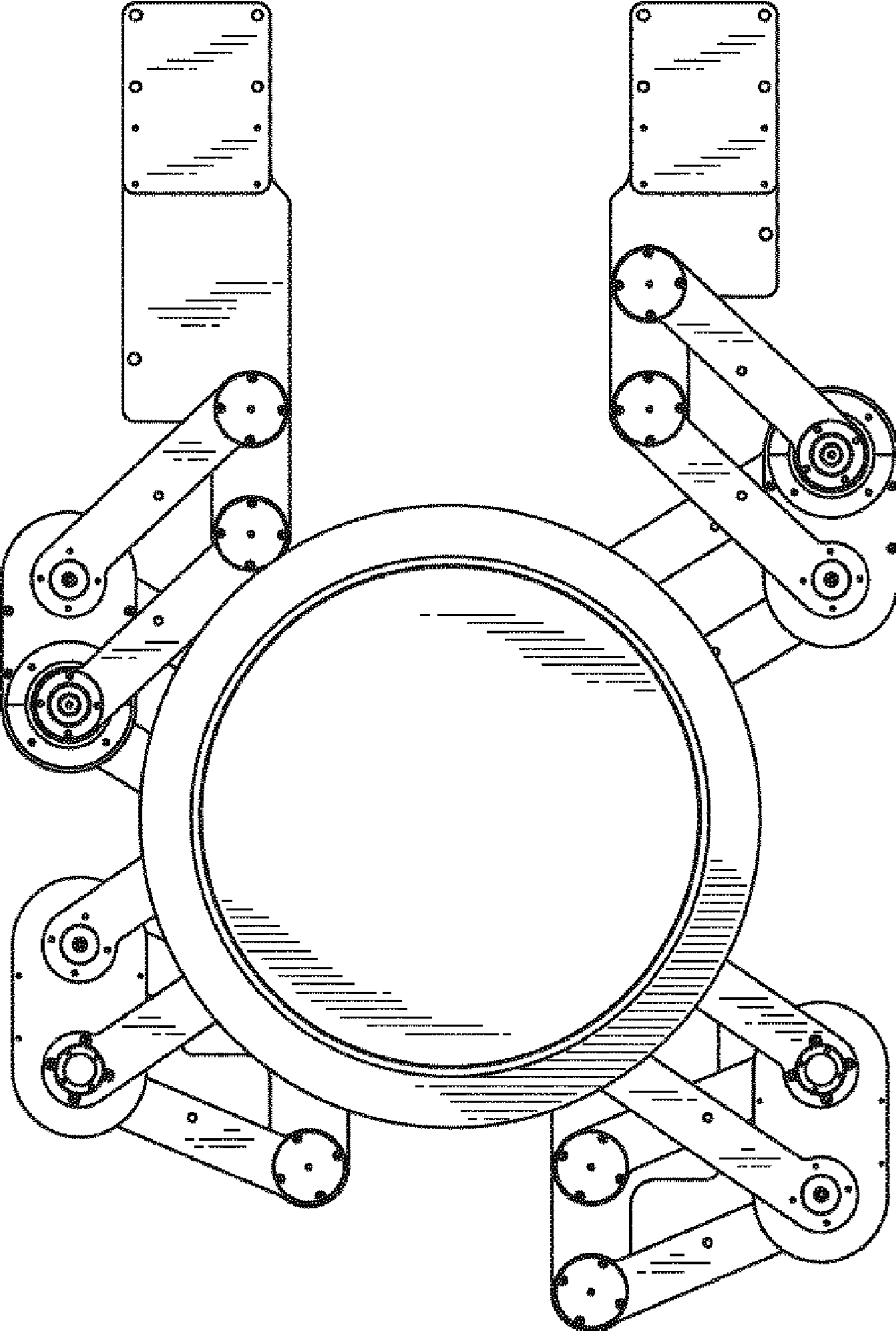


FIG. 12

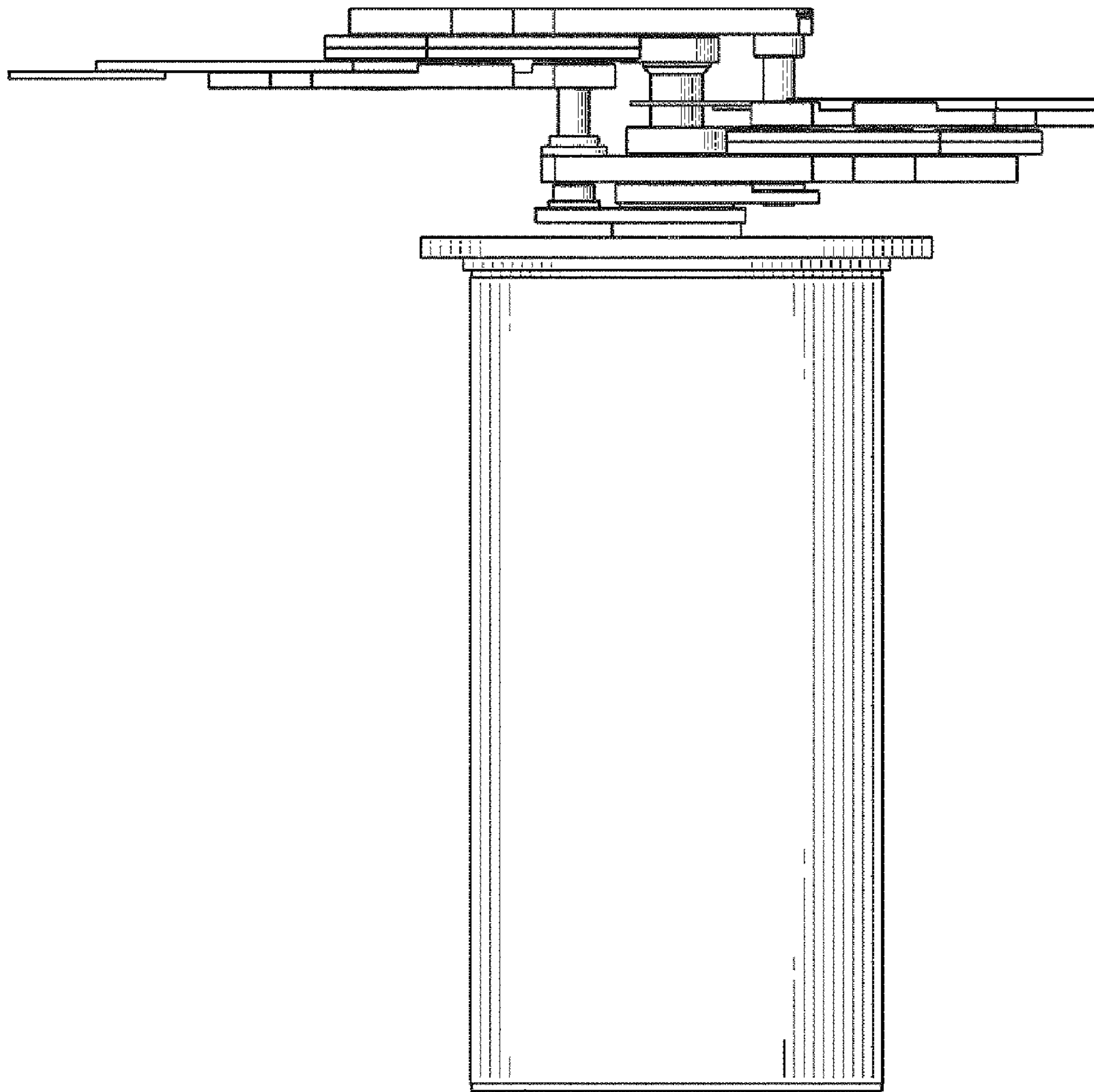


FIG. 13

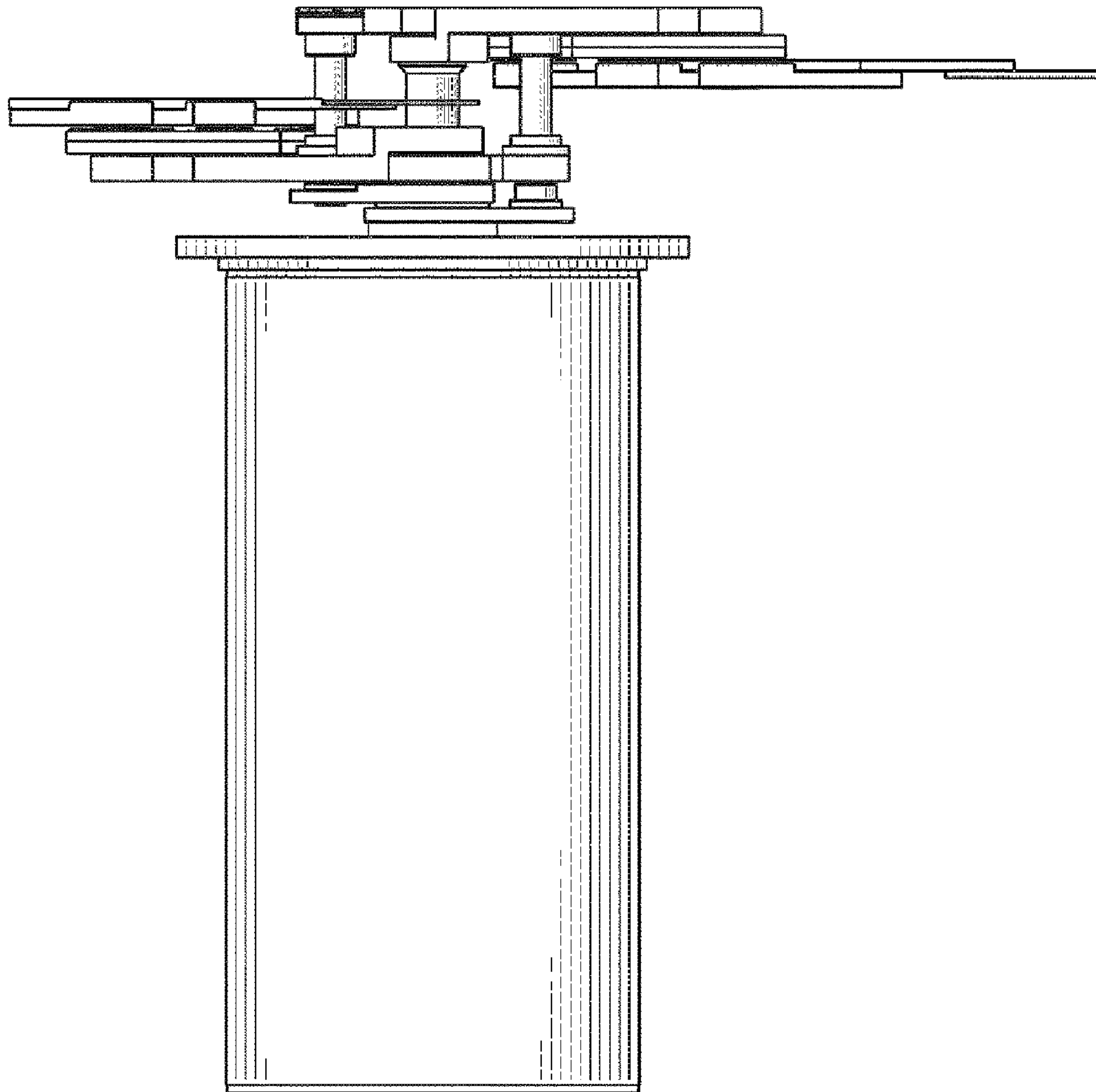


FIG. 14