



US00RE43754E

(19) **United States**
(12) **Reissued Patent**
Andersen

(10) **Patent Number:** **US RE43,754 E**
(45) **Date of Reissued Patent:** **Oct. 23, 2012**

(54) **SOFA**
(75) Inventor: **Per Weiss Andersen**, Randers (DK)
(73) Assignee: **Innovation U.S.A., Inc.**, South San Francisco, CA (US)
(21) Appl. No.: **29/382,271**
(22) Filed: **Dec. 30, 2010**

Related U.S. Patent Documents

Reissue of:

(64) Patent No.: **Des. 583,585**
Issued: **Dec. 30, 2008**
Appl. No.: **29/283,569**
Filed: **Aug. 17, 2007**

(51) **LOC (9) Cl.** **06-01**
(52) **U.S. Cl.** **D6/381**
(58) **Field of Classification Search** D6/334-338,
D6/349, 355, 361, 368-370, 376, 379-381,
D6/492, 500-502; 297/16.1, 42, 94, 135,
297/175, 232, 233, 350, 351, 445.1, 448.1,
297/448.2, 451.9; 5/12.1, 12.2

See application file for complete search history.

(56) **References Cited**

U.S. PATENT DOCUMENTS

2,217,426 A 10/1940 Zareko
D151,587 S * 11/1948 Buckner D6/381
D169,911 S * 6/1953 Netzer D6/381
D170,665 S * 10/1953 Spence D6/381
D263,770 S 4/1982 Melchior
4,621,381 A 11/1986 Schramek
5,329,654 A 7/1994 Sherman
D425,711 S 5/2000 Desombre
D429,082 S 8/2000 Desombre
6,161,231 A 12/2000 Kraft et al.

(Continued)

Primary Examiner — Sandra Snapp
(74) Attorney, Agent, or Firm — Miles & Stockbridge P.C.

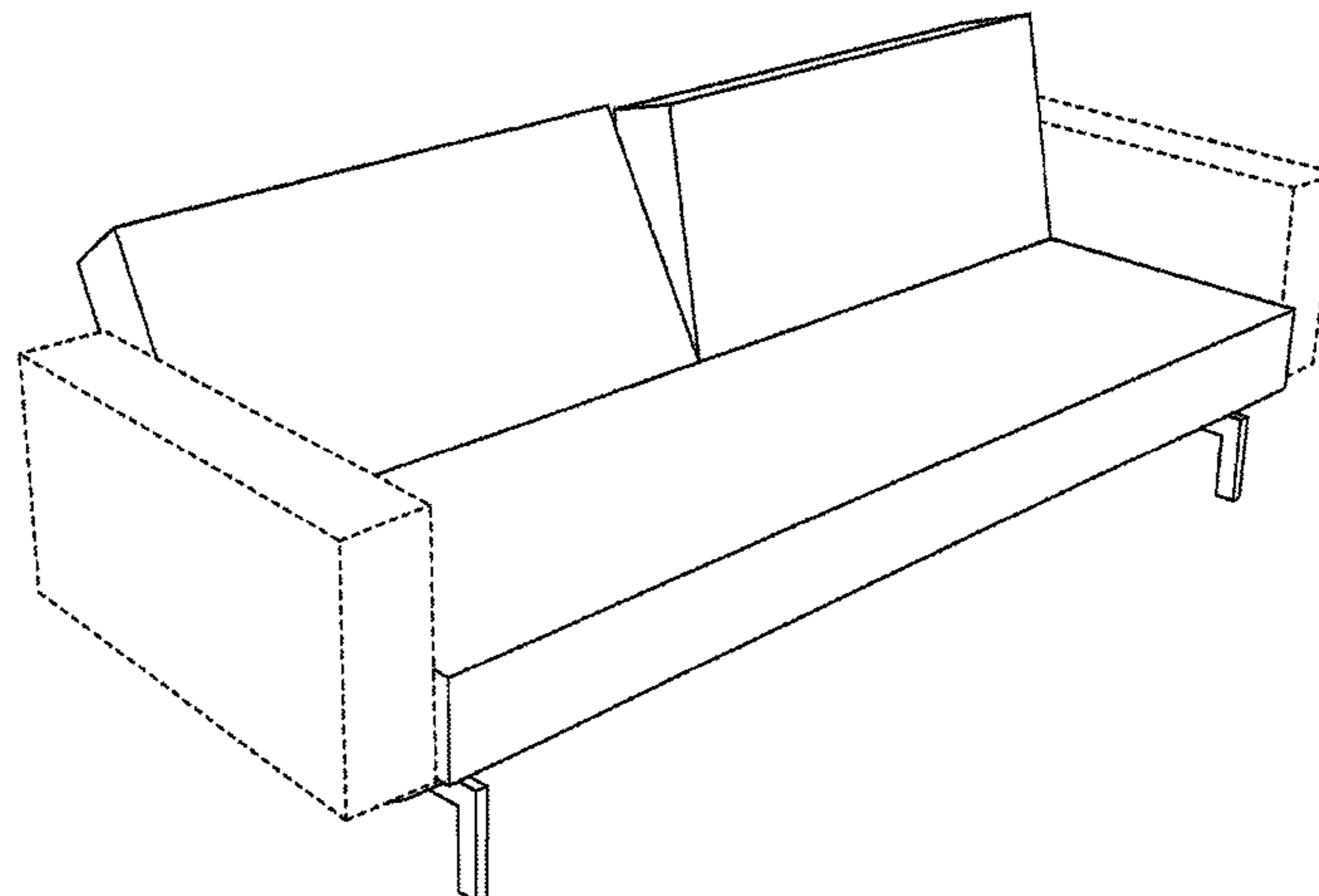
(57) **CLAIM**
The ornamental design for a sofa, as shown and disclosed.

DESCRIPTION

FIG. 1 is a perspective view of a *first embodiment* of the sofa showing the new design;
FIG. 2 is a front view thereof;
FIG. 3 is a left side view thereof;
FIG. 4 is a right side view thereof;
FIG. 5 is a top plan view thereof;
FIG. 6 is a bottom plan view thereof;
FIG. 7 is a back view thereof;
FIG. 8 is a perspective view thereof in a partially reclined position;
FIG. 9 is a perspective view thereof in a fully reclined position; [and,]
FIG. 10 is a perspective view thereof with part of the back in a partially reclined position[.];
FIG. 11 is a perspective view of a second embodiment of the sofa showing the new design;
FIG. 12 is a front view thereof;
FIG. 13 is a left side view thereof;
FIG. 14 is a right side view thereof;
FIG. 15 is a top plan view thereof;
FIG. 16 is a bottom plan view thereof;
FIG. 17 is a back view thereof;
FIG. 18 is a perspective view thereof in a partially reclined position;
FIG. 19 is a perspective view thereof in a fully reclined position; and,
FIG. 20 is a perspective view thereof with part of the back in a partially reclined position.
The dashed lines shown in the drawings are for illustrative purposes only and form no part of the claimed design.

1 Claim, 11 Drawing Sheets

Matter enclosed in heavy brackets [] appears in the original patent but forms no part of this reissue; matter printed in italics indicates the additions made by reissue.



(New)

US RE43,754 E

Page 2

U.S. PATENT DOCUMENTS

D444,305 S *	7/2001	Mourgue	D6/335	D546,575 S	7/2007	Nastri	
D446,962 S *	8/2001	Mourgue	D6/381	D569,111 S	5/2008	Swanson	
D455,281 S *	4/2002	Andersen et al.	D6/381	D569,123 S	5/2008	Roos et al.	
D455,282 S *	4/2002	Andersen et al.	D6/381	D603,617 S *	11/2009	Weiss	D6/381
D477,152 S	7/2003	Levy		D603,618 S *	11/2009	Weiss	D6/381
D484,327 S	12/2003	Ricci		D603,619 S *	11/2009	Weiss	D6/381
D490,996 S *	6/2004	Weiss et al.	D6/381	D604,957 S *	12/2009	Weiss	D6/381
D493,039 S	7/2004	Ricci		D610,366 S *	2/2010	Kanthasamy	D6/381
D495,514 S	9/2004	Ricci		D614,419 S *	4/2010	Andersen	D6/381
D495,892 S	9/2004	Ricci		D615,766 S *	5/2010	Andersen	D6/381
D495,893 S	9/2004	Ricci		D616,215 S *	5/2010	Andersen	D6/381
D498,075 S *	11/2004	Mourgue	D6/381	D617,571 S *	6/2010	Andersen	D6/381
6,824,220 B1	11/2004	Davison		D618,007 S *	6/2010	Andersen	D6/381
D499,261 S	12/2004	Ricci		D621,174 S *	8/2010	Kanthasamy	D6/381
D515,333 S	2/2006	Natuzzi		D623,869 S *	9/2010	Andersen	D6/381
D515,334 S	2/2006	Natuzzi					
D527,541 S	9/2006	Natuzzi					
D541,074 S	4/2007	Natuzzi					

* cited by examiner

FIG. 1

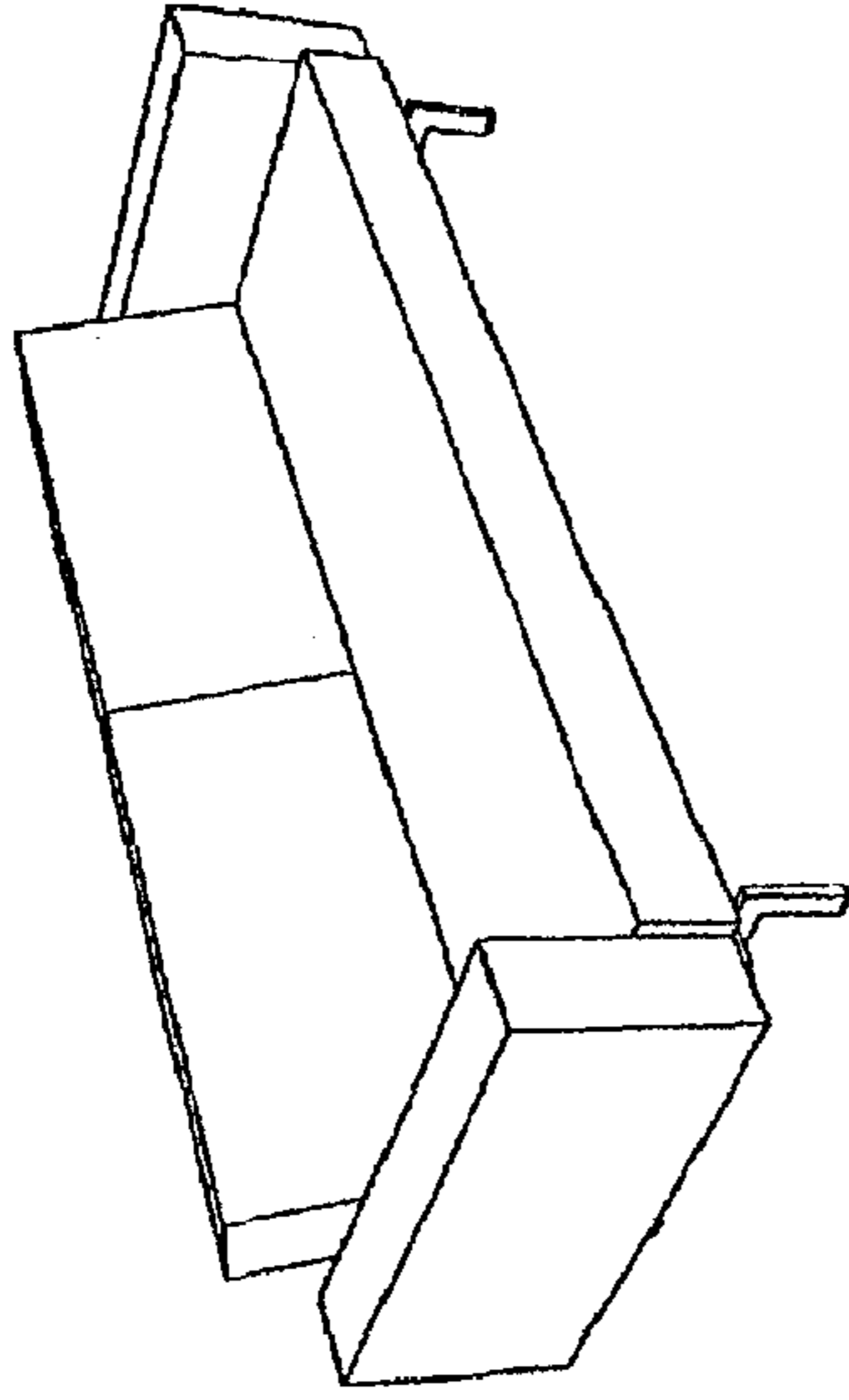


FIG. 10

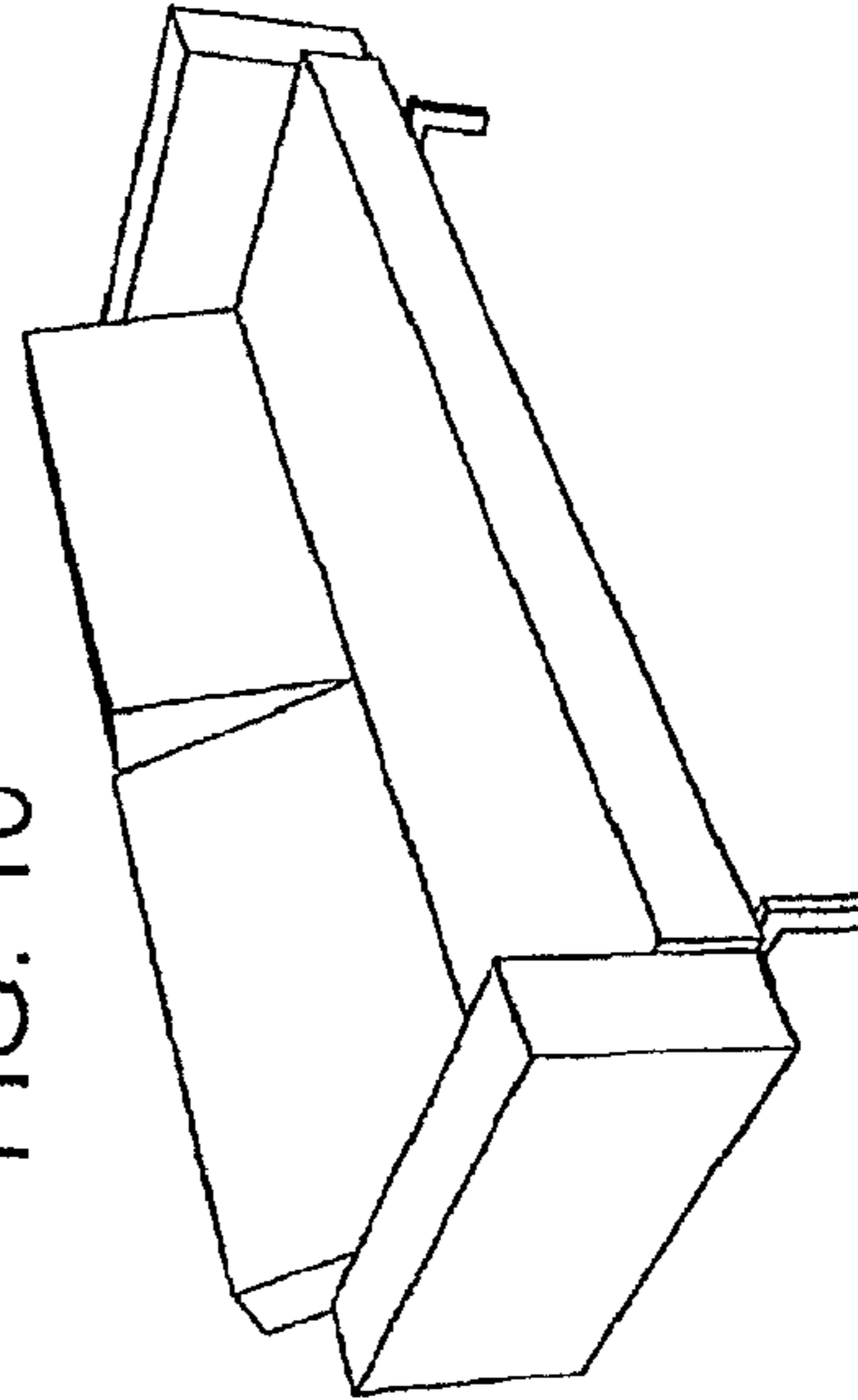


FIG. 9

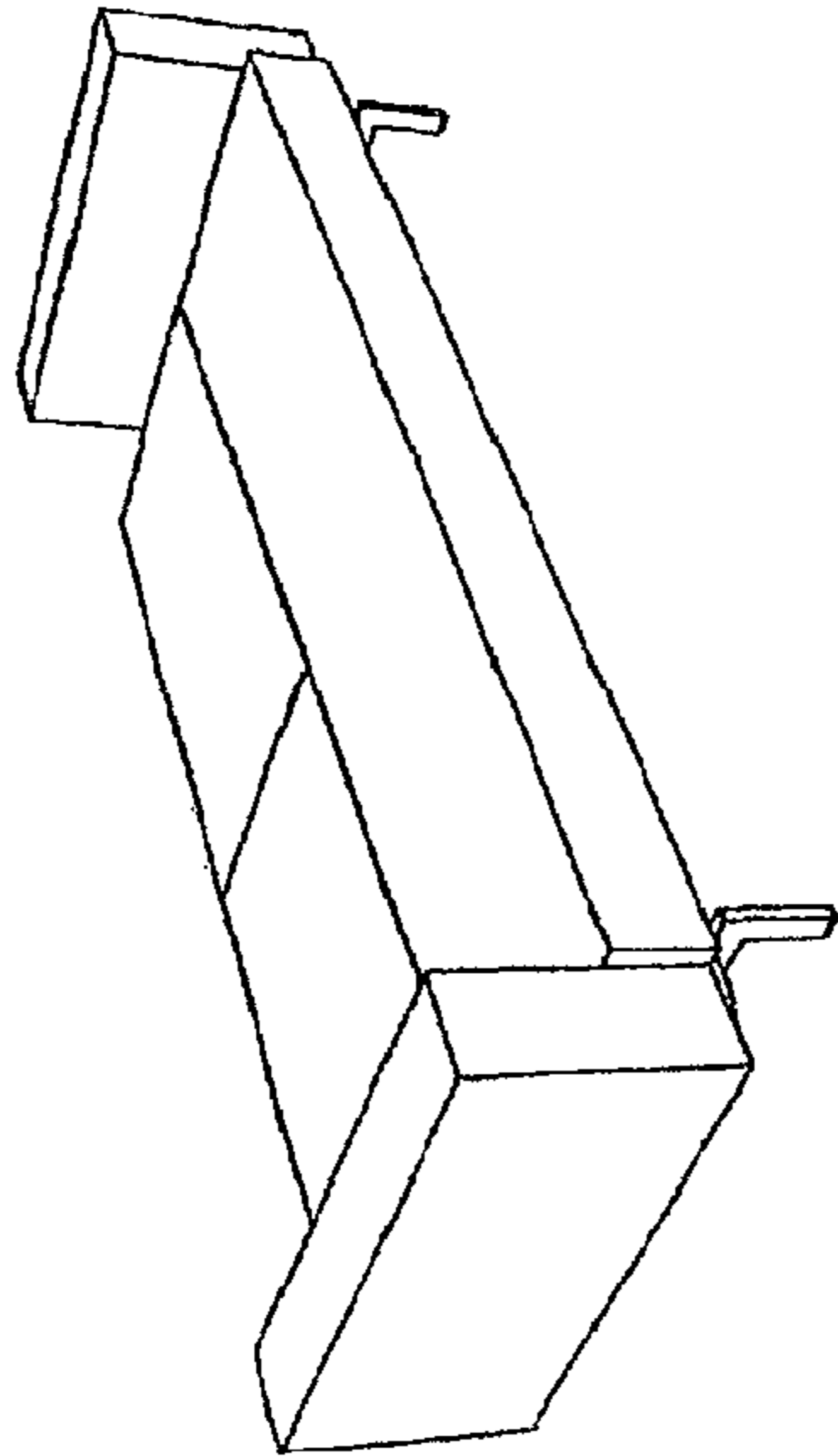


FIG. 8

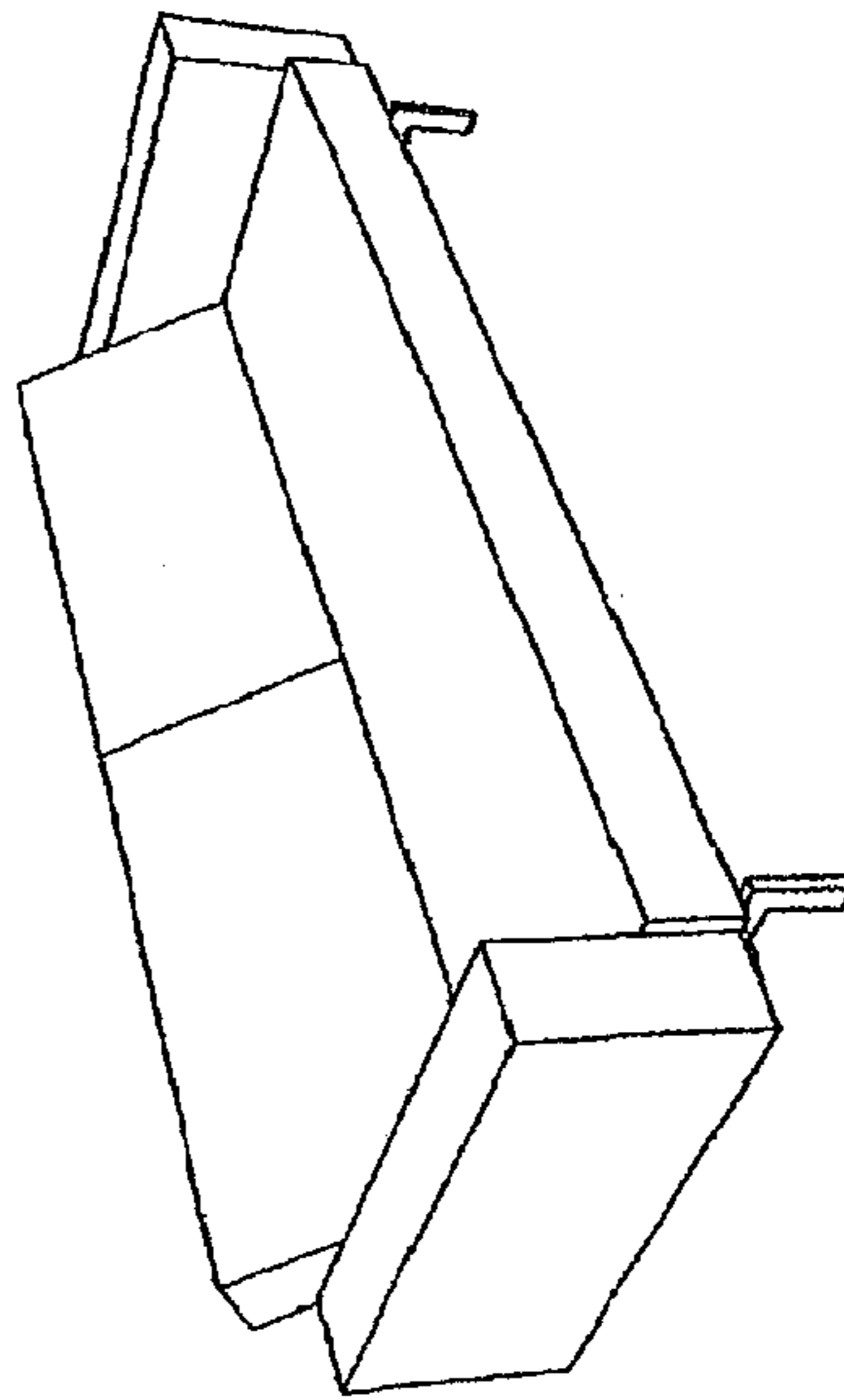


FIG. 4

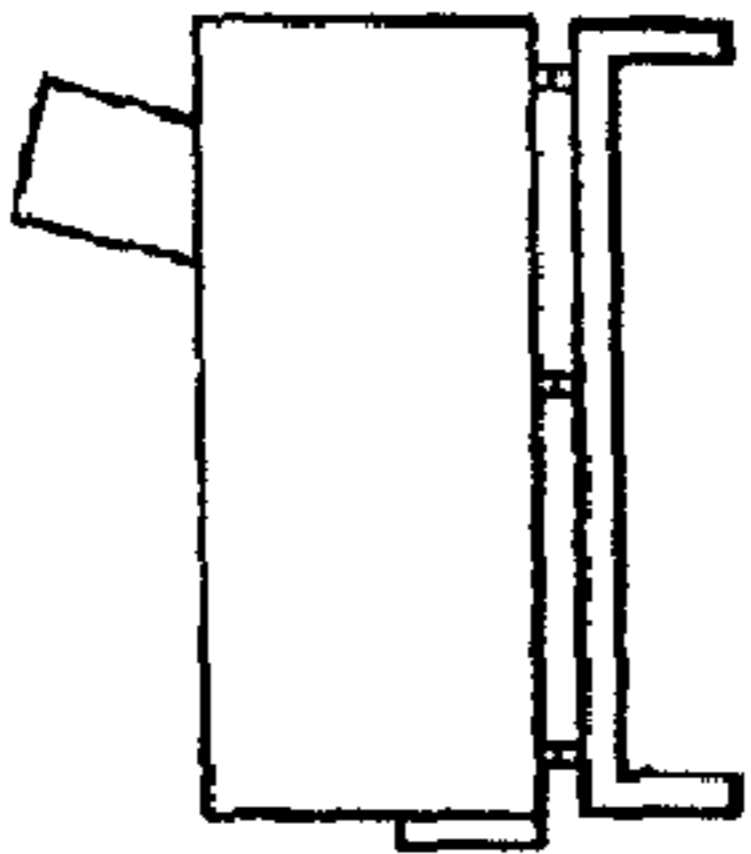


FIG. 3

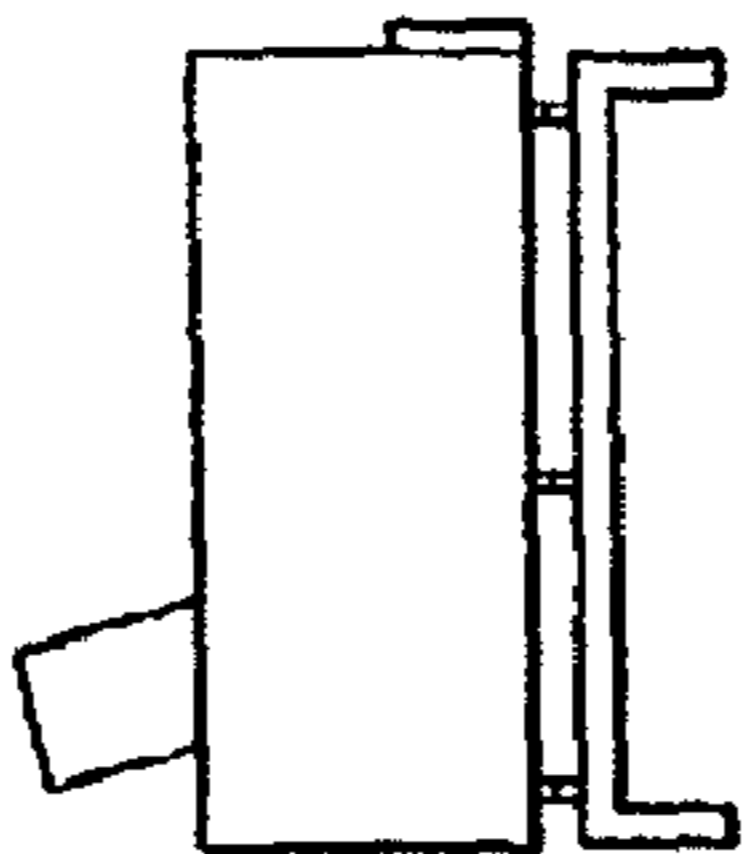


FIG. 7

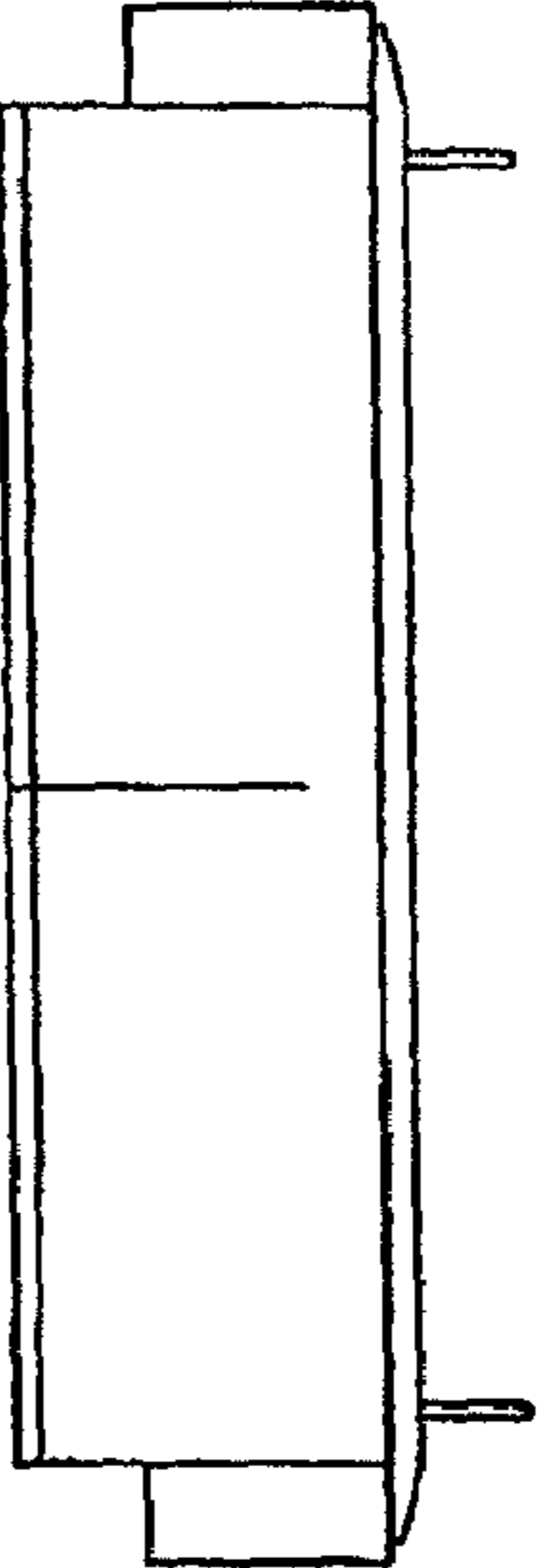


FIG. 6

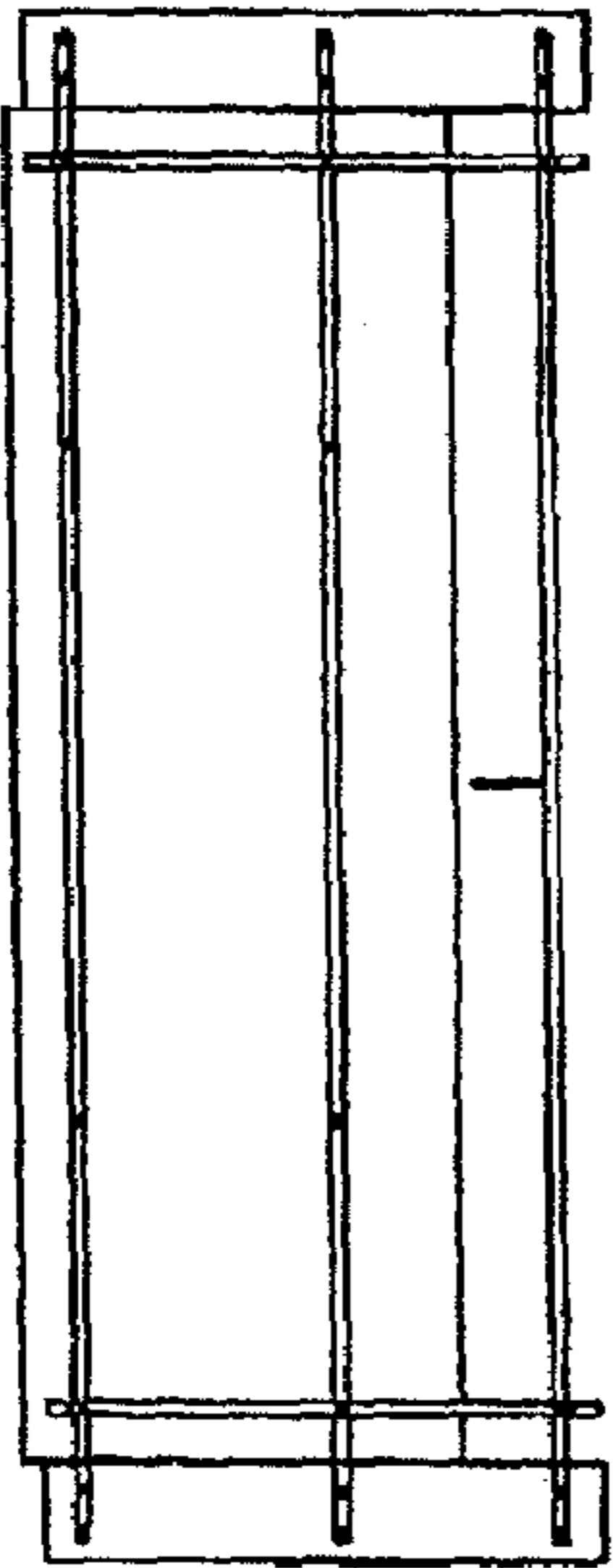


FIG. 2

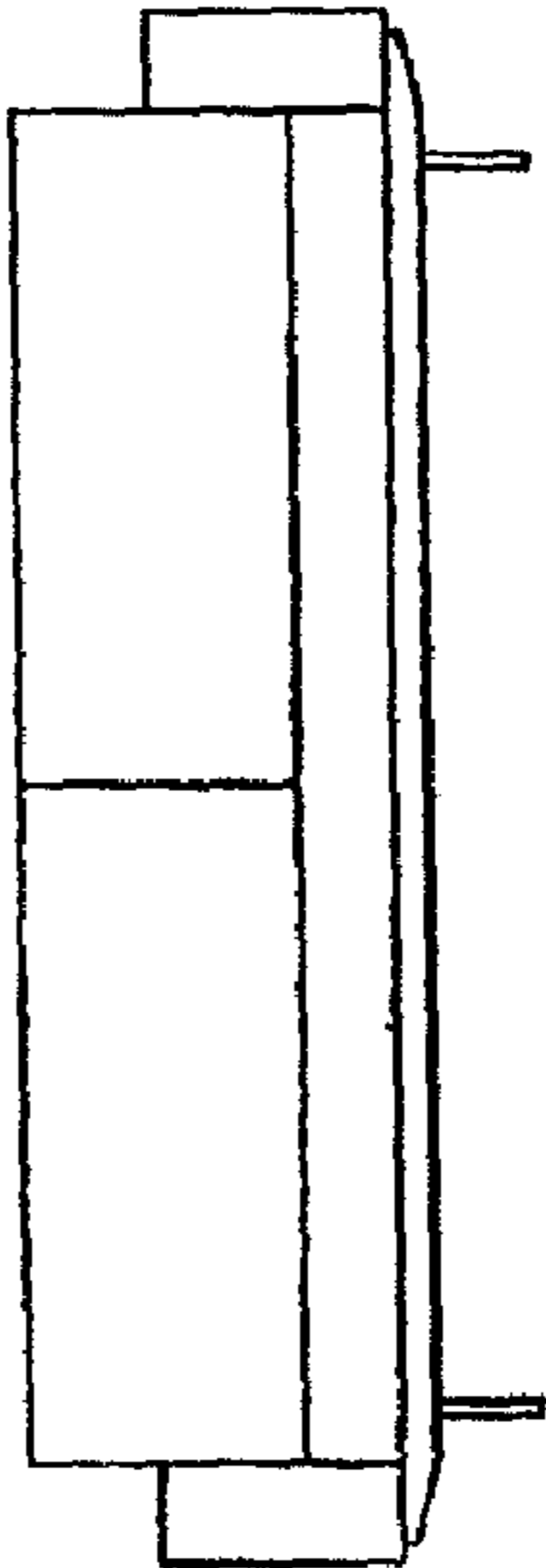
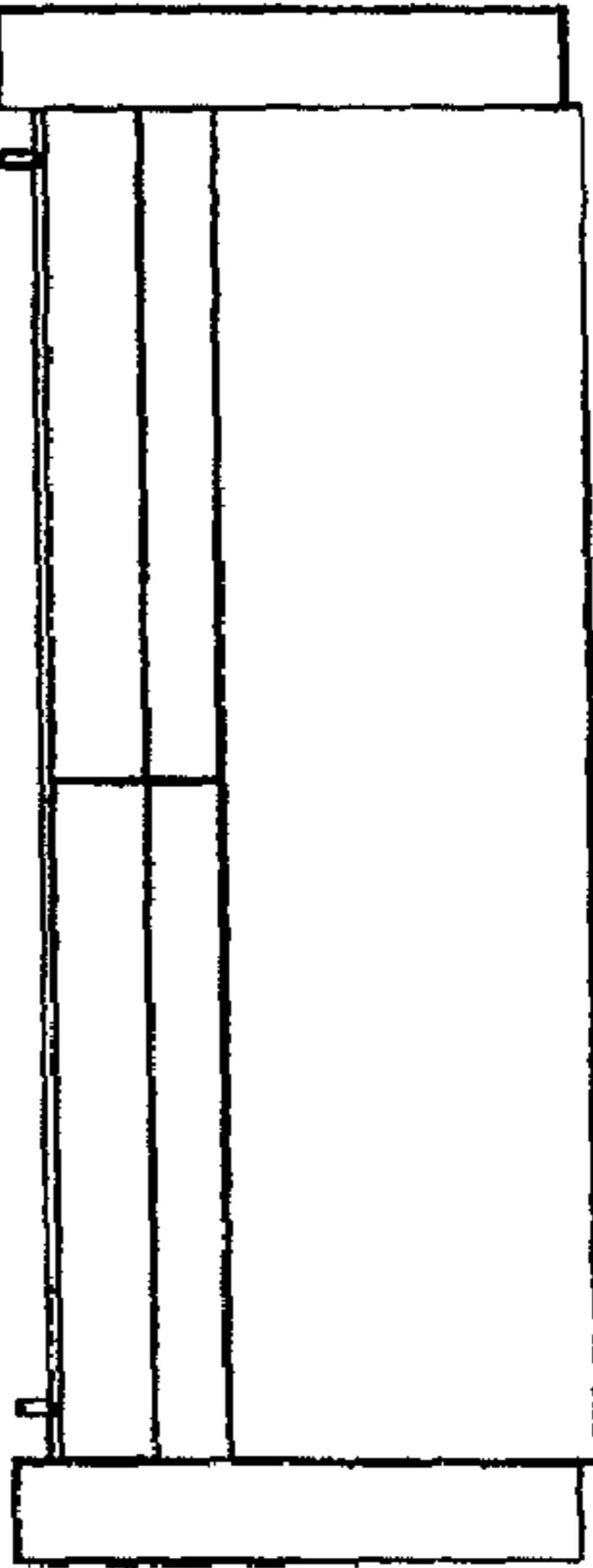


FIG. 5



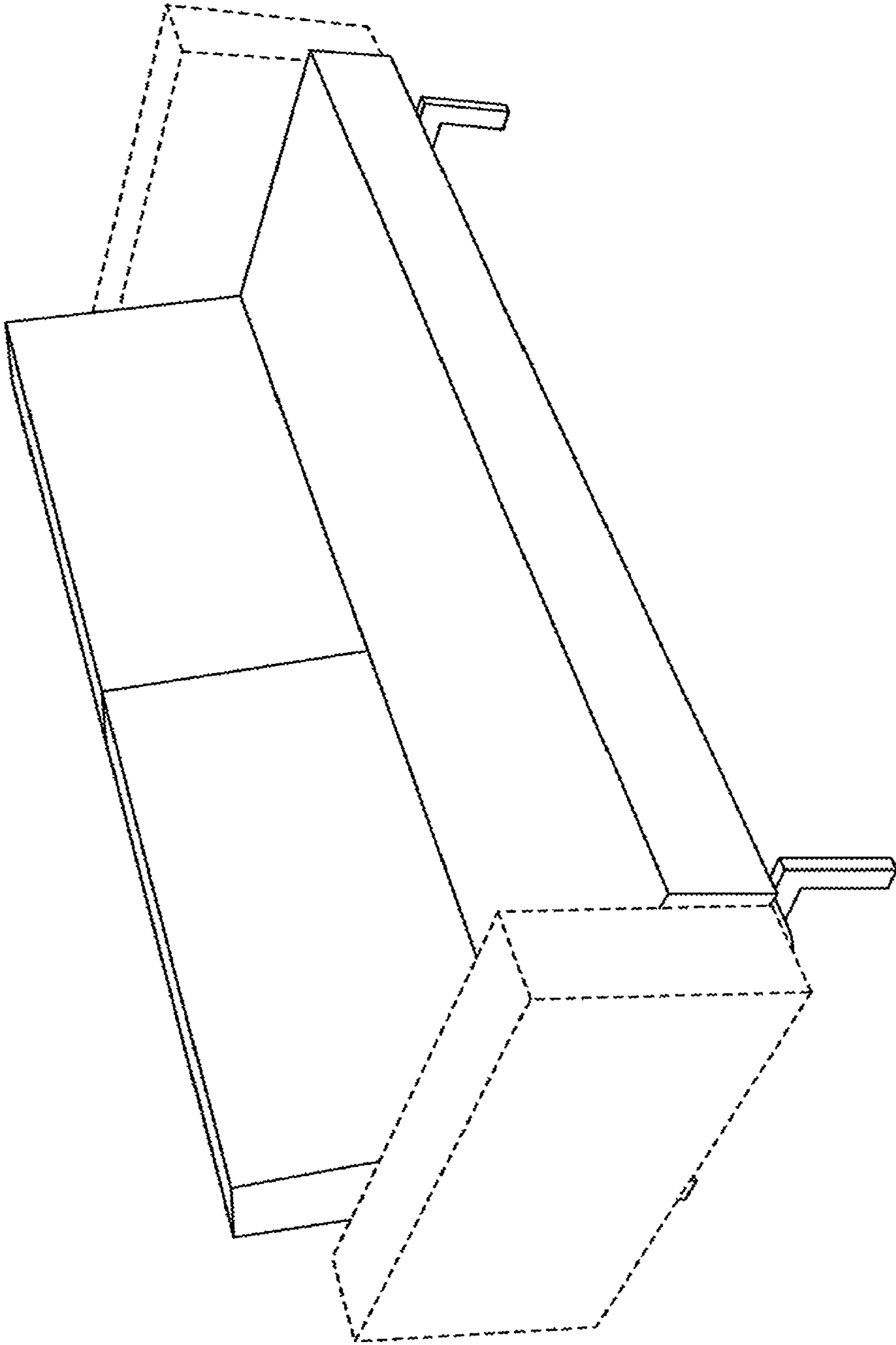


FIG. 11 (New)

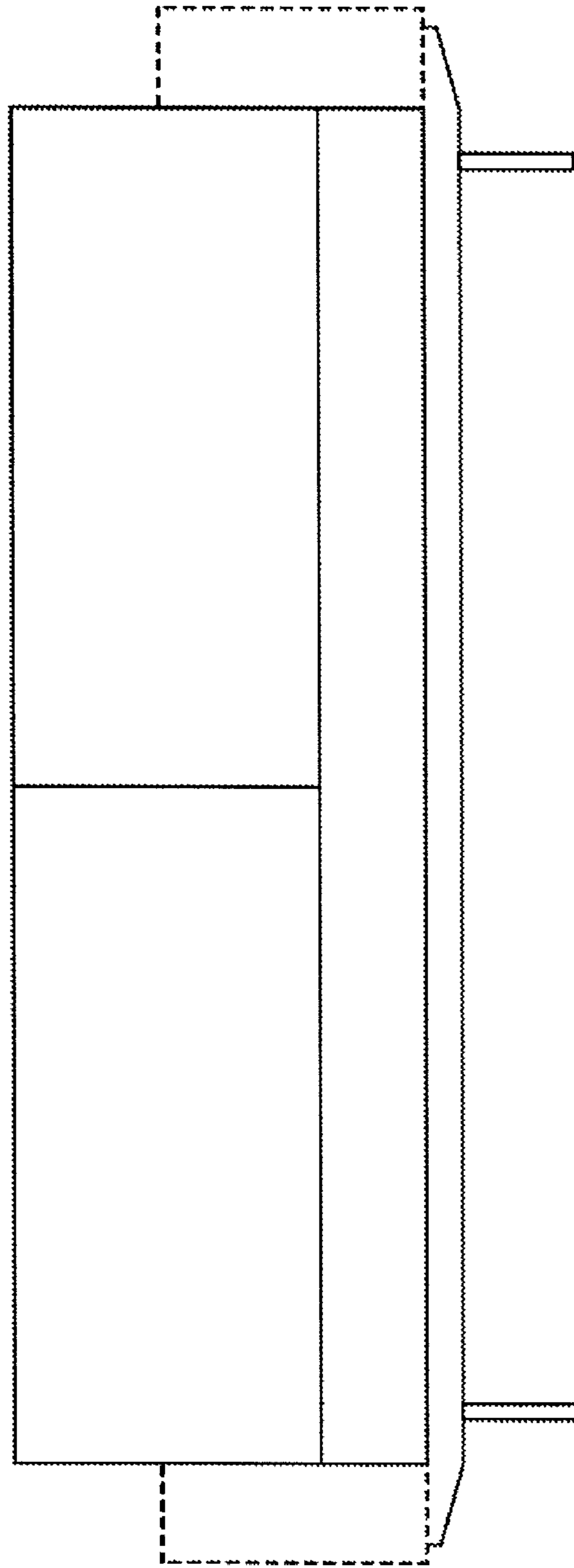


FIG. 12 (New)

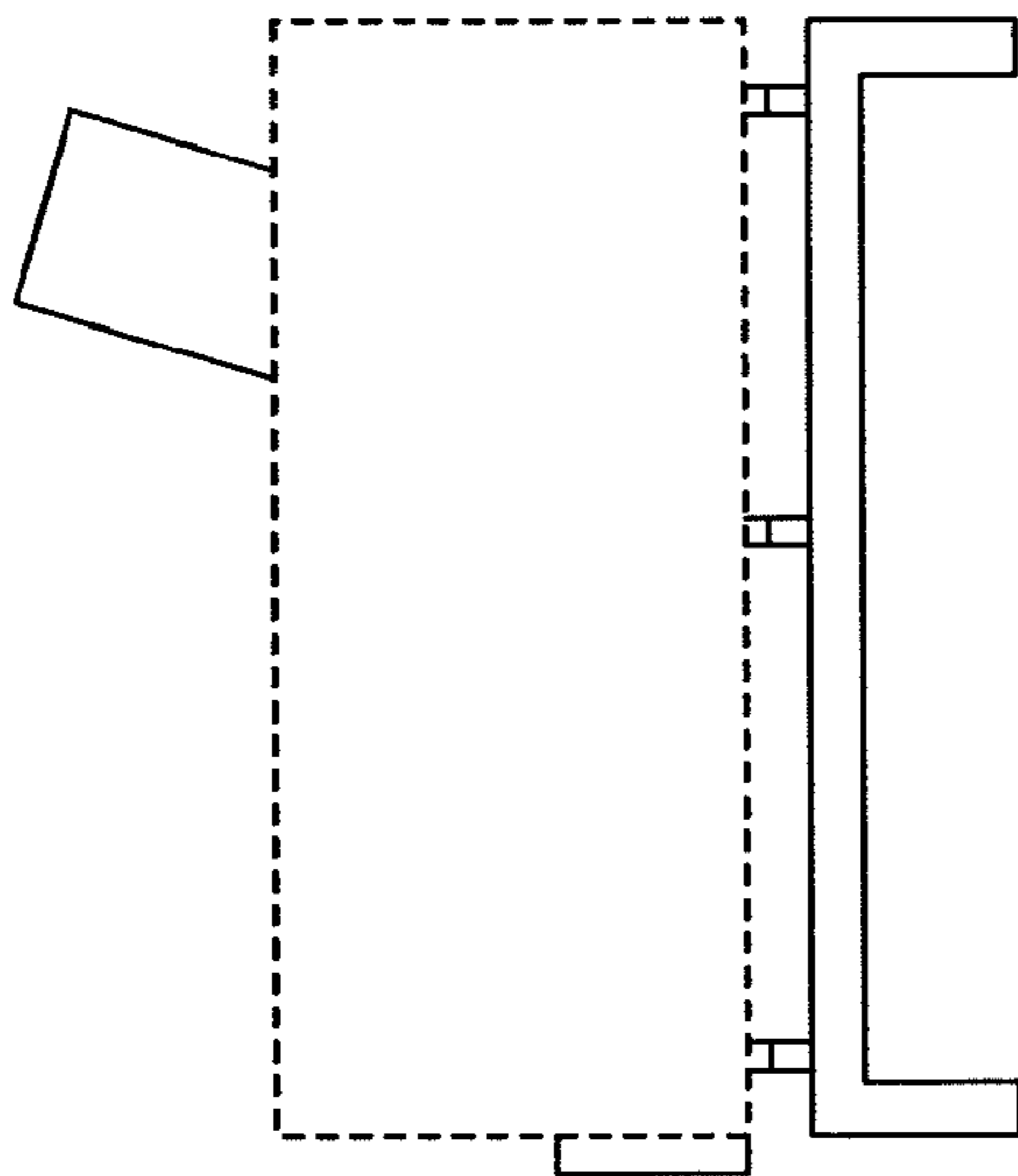


FIG. 14 (New)

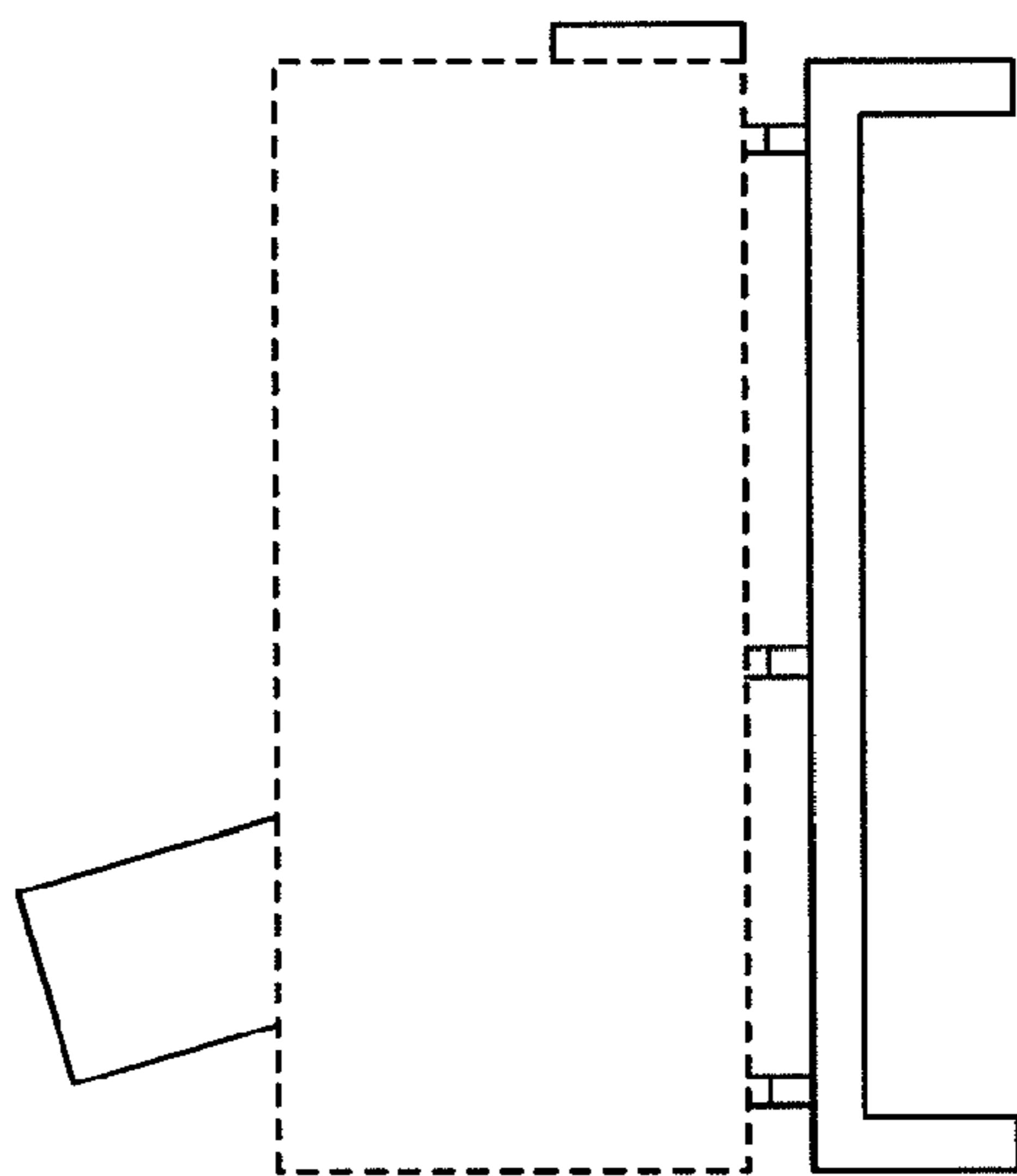


FIG. 13 (New)

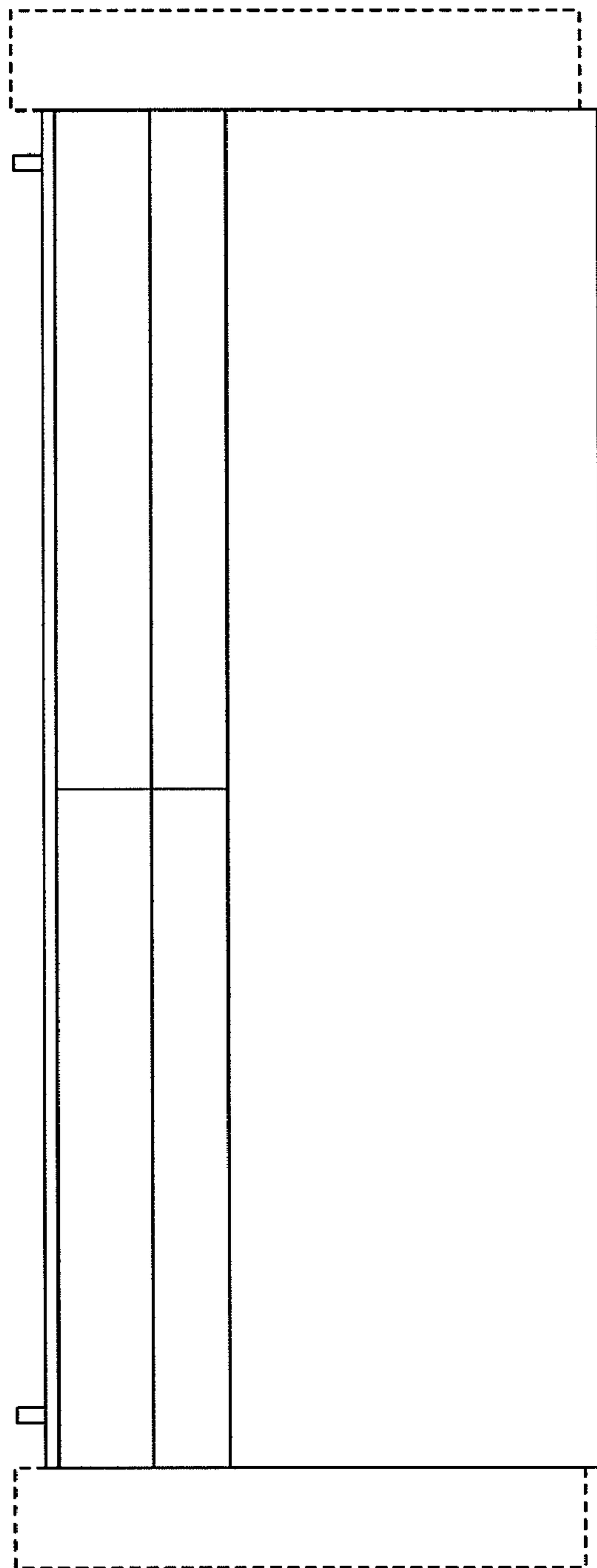


FIG. 15 (New)

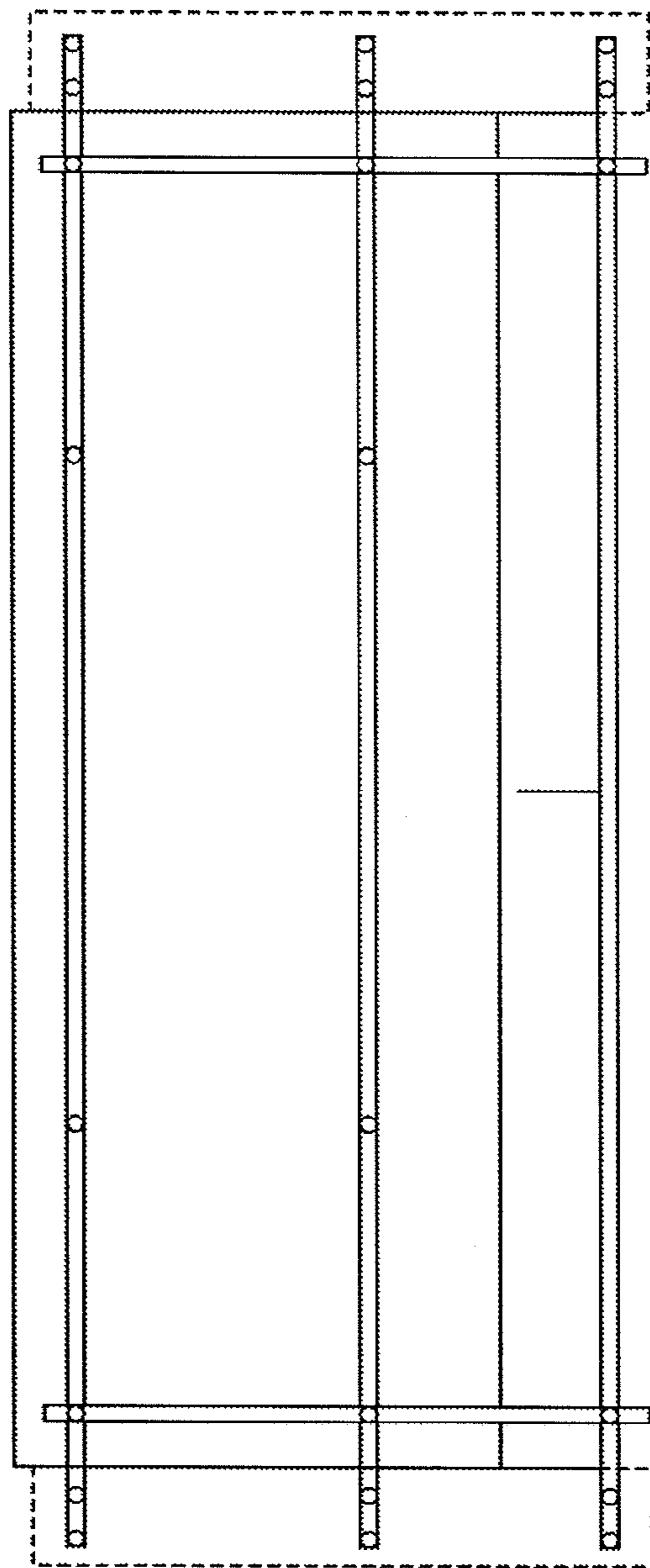


FIG. 16 (New)

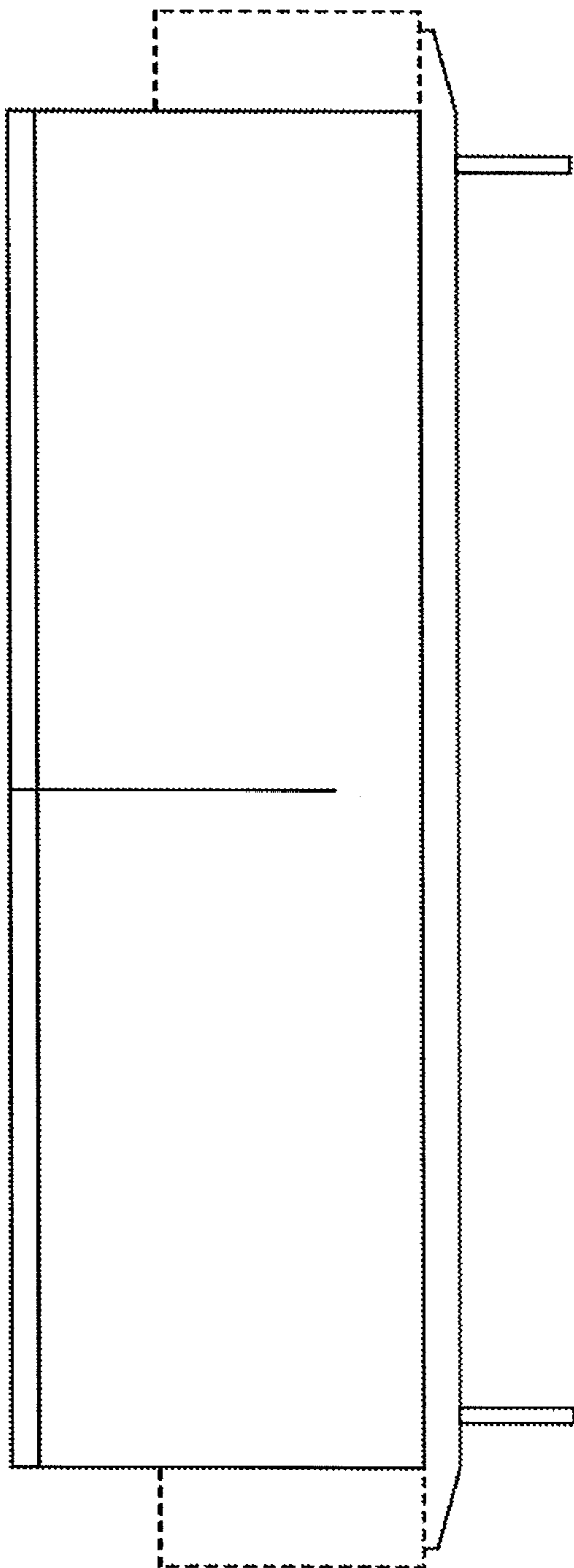


FIG. 17 (New)

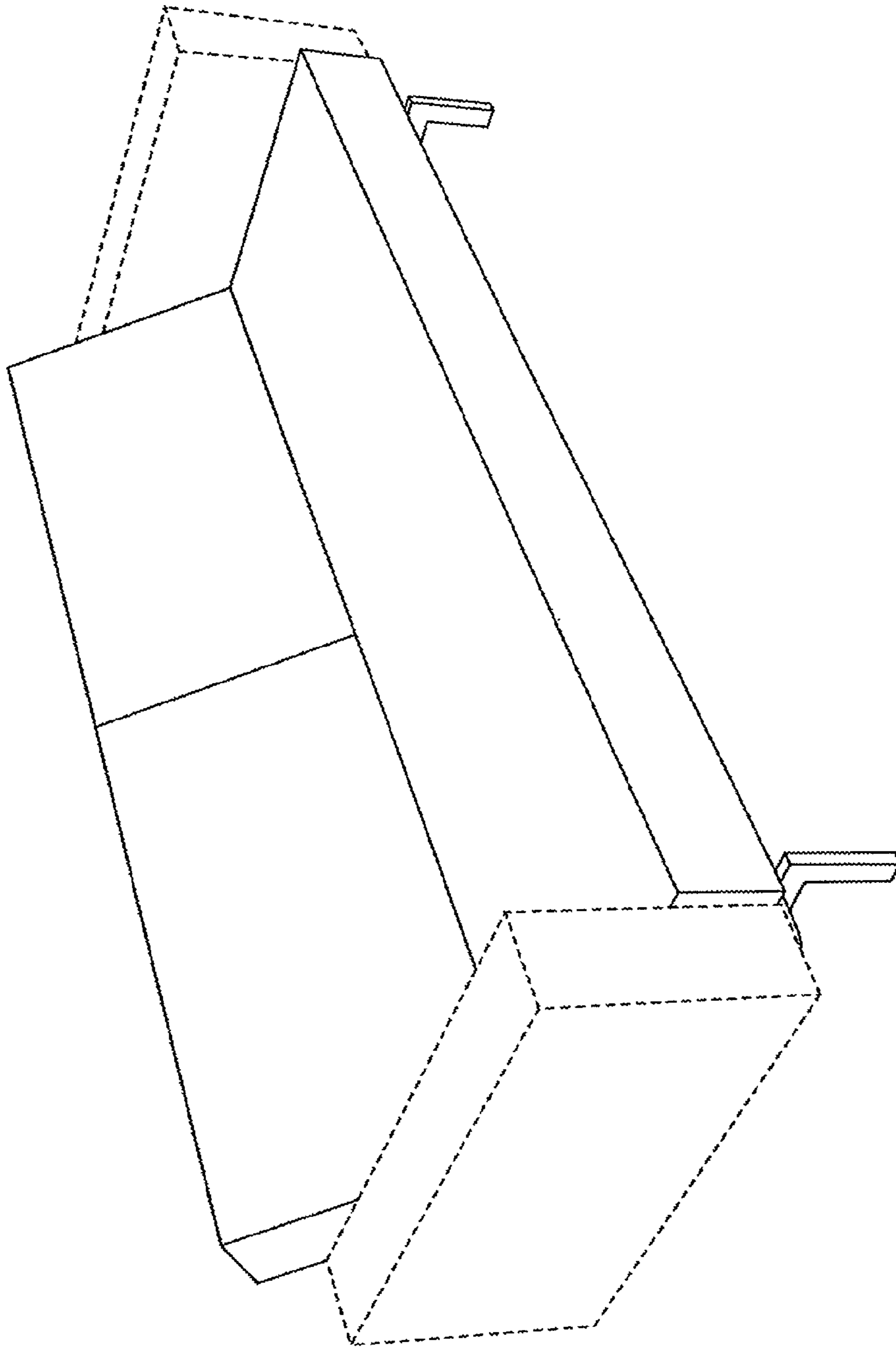


FIG. 18 (New)

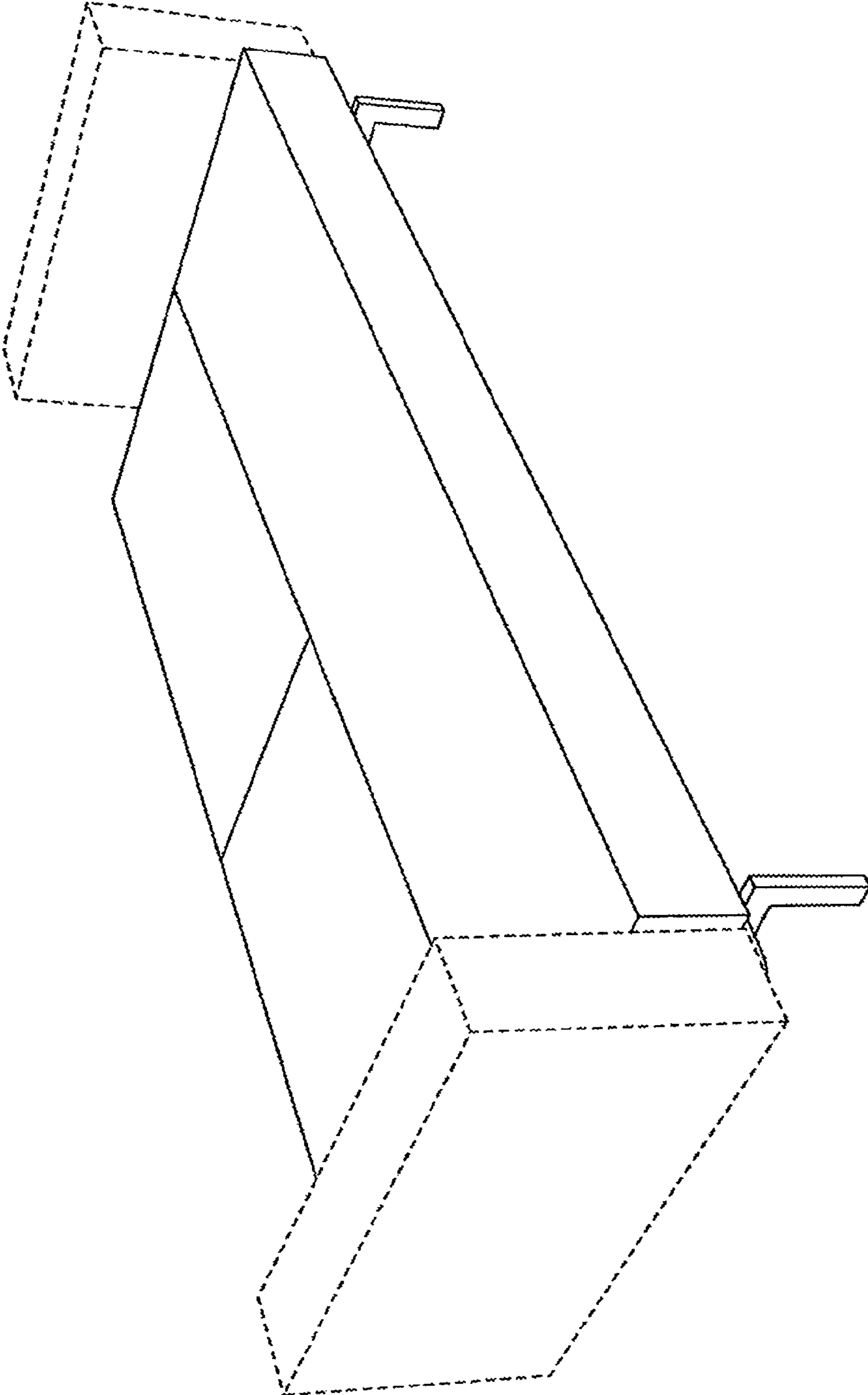


FIG. 19 (New)

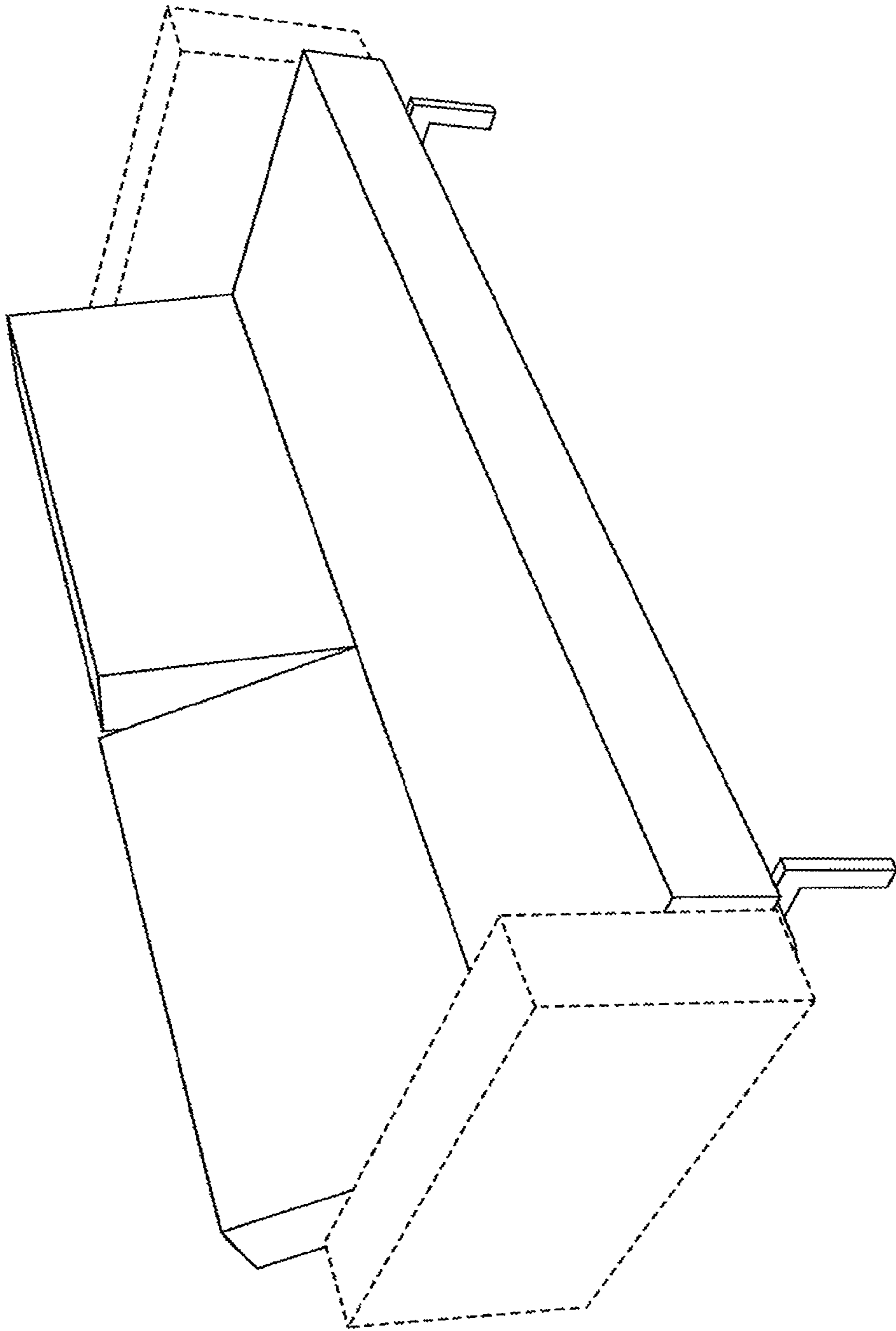


FIG. 20 (New)