



US00RE43730E

(19) **United States**
(12) **Reissued Patent**
Pils et al.

(10) **Patent Number:** **US RE43,730 E**
(45) **Date of Reissued Patent:** **Oct. 16, 2012**

(54) **PACIFIER**
(75) Inventors: **Reiner Pils**, Kalbe (DE); **Stephane Pottier**, Bagnolet cedex (DE)
(73) Assignee: **MAPA GmbH**, Zeven (DE)
(21) Appl. No.: **29/395,561**
(22) Filed: **Feb. 16, 2012**

D326,919 S * 6/1992 Geitner et al. D24/194
D387,868 S * 12/1997 Wilburn D24/194
D441,083 S * 4/2001 Roehrig D24/194
6,241,110 B1 * 6/2001 Hakim 215/11.1
D445,902 S * 7/2001 Luehne-Porath D24/194
D450,127 S * 11/2001 Trujillo D24/194
D541,422 S * 4/2007 Pils et al. D24/194
D646,791 S * 10/2011 Pope D24/194
8,066,738 B2 * 11/2011 Kliegman et al. 606/234

* cited by examiner

Related U.S. Patent Documents

Reissue of:
(64) Patent No.: **Des. 520,640**
Issued: **May 9, 2006**
Appl. No.: **29/197,043**
Filed: **Jan. 8, 2004**

Primary Examiner — Susan E Krakower
(74) *Attorney, Agent, or Firm* — Vidas, Arrett & Steinkraus, P.A.

(57) **CLAIM**
The ornamental design for a pacifier, as shown.

DESCRIPTION

(30) **Foreign Application Priority Data**
Jul. 10, 2003 (DE) 000050471
(51) **LOC (9) Cl.** **24-04**
(52) **U.S. Cl.** **D24/194**
(58) **Field of Classification Search** D24/193–196,
D24/199; 606/234–236; 215/11.1–11.6
See application file for complete search history.

FIG. 1 is a bottom plan view of a pacifier showing our new design;
FIG. 2 is a rear elevational view thereof;
FIG. 3 is a right elevational view thereof;
FIG. 4 is a front elevational view thereof;
FIG. 5 is a left elevational view thereof;
FIG. 6 is a top plan view thereof;
FIG. 7 is a perspective view thereof; and,
FIG. 8 is another perspective view.

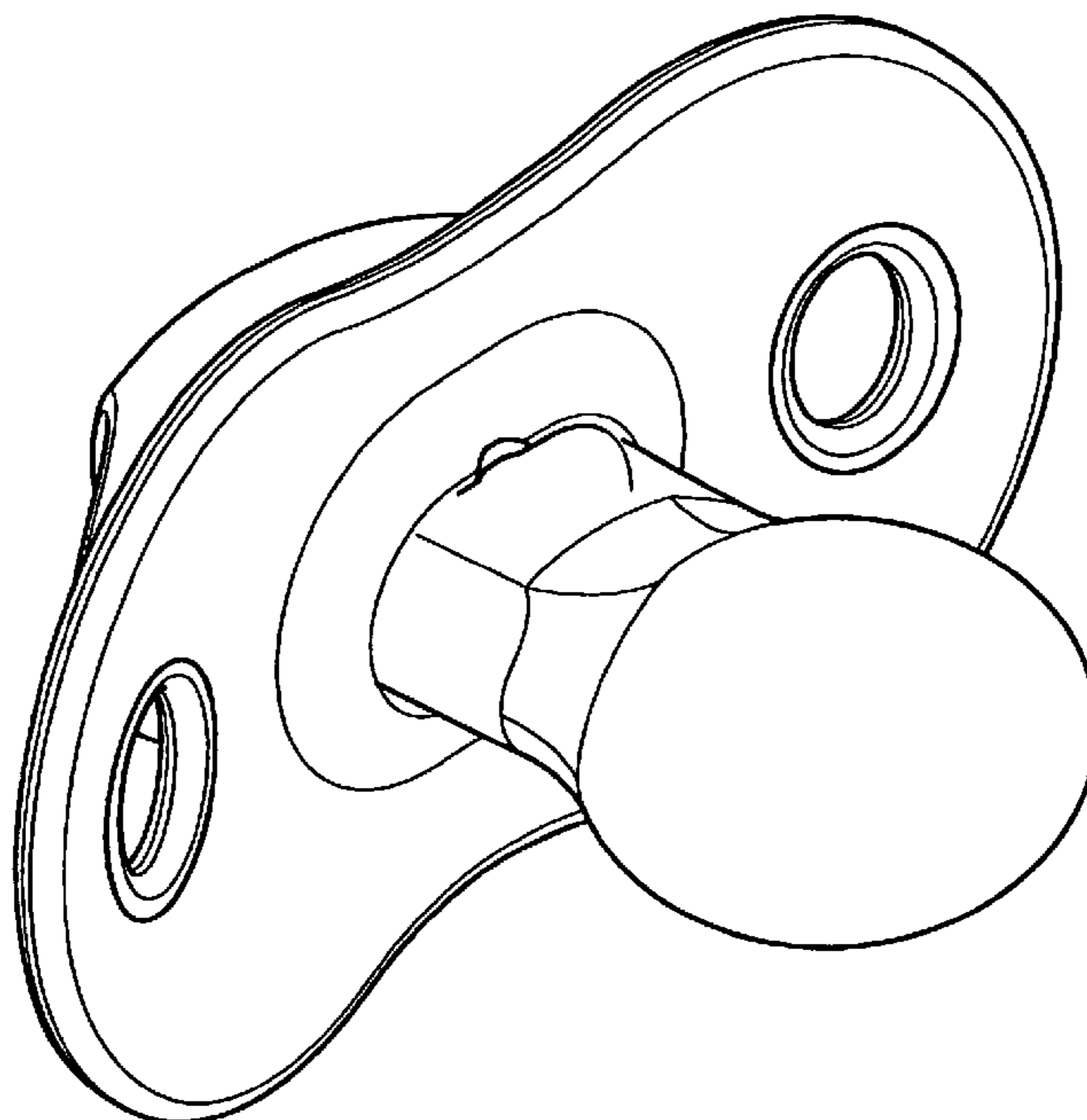
(56) **References Cited**

1 Claim, 8 Drawing Sheets

U.S. PATENT DOCUMENTS

4,381,785 A * 5/1983 Robbins 606/236
D285,839 S * 9/1986 Roehrig D24/194
D303,839 S * 10/1989 Fitzpatrick et al. D24/194
D312,312 S * 11/1990 Herritz D24/194

Matter enclosed in heavy brackets [] appears in the original patent but forms no part of this reissue; matter printed in italics indicates the additions made by reissue.



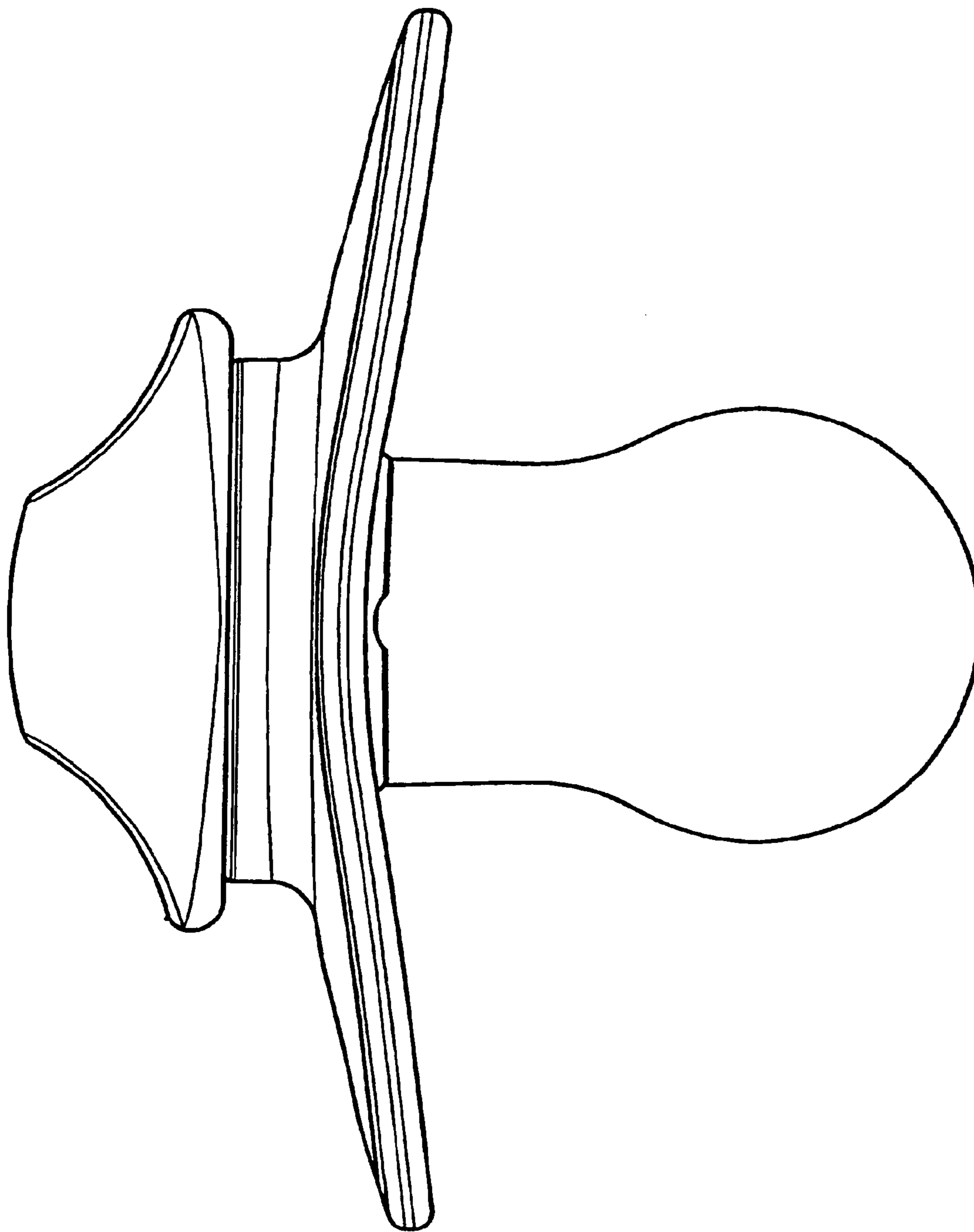


Fig. 1

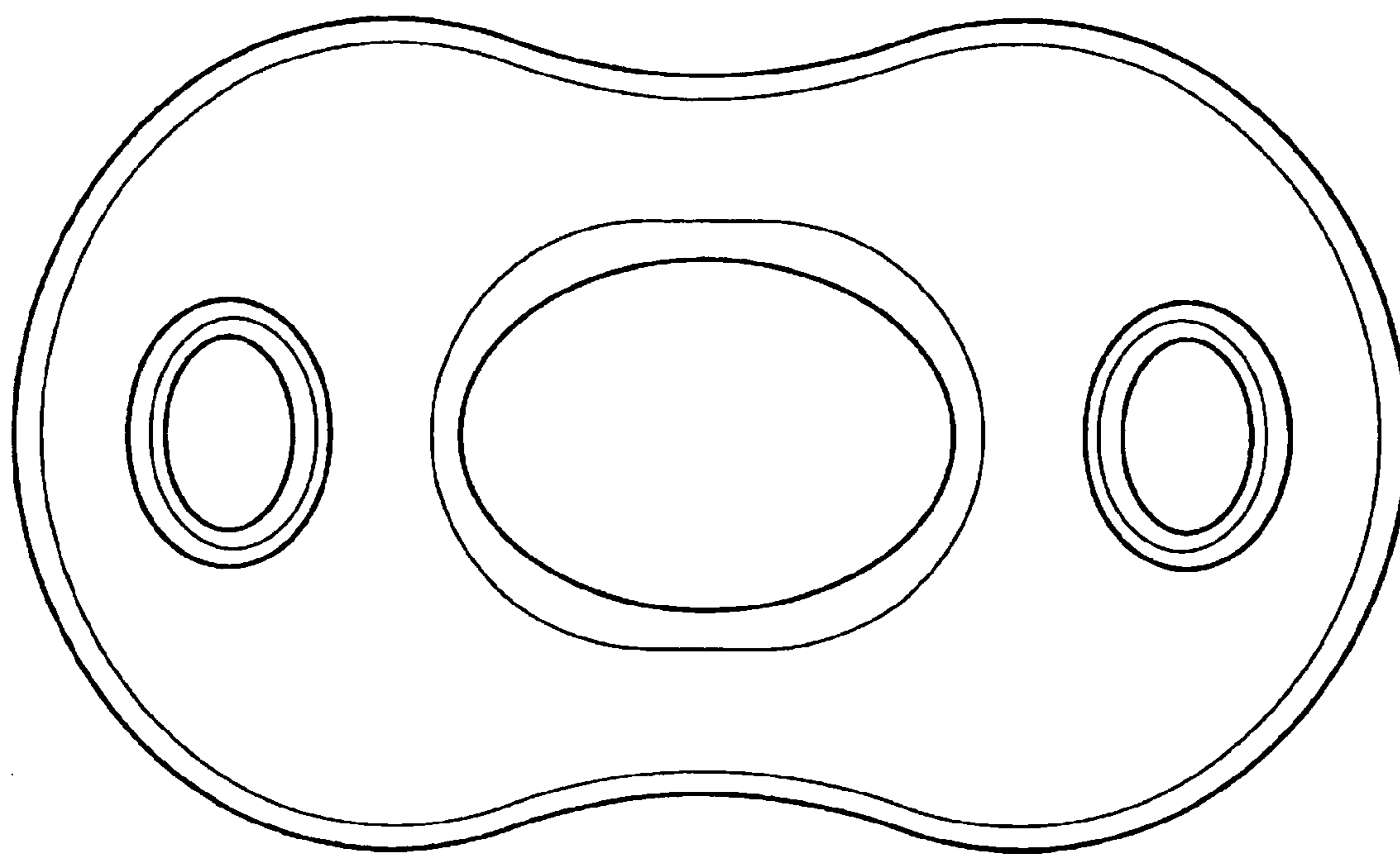


Fig. 2

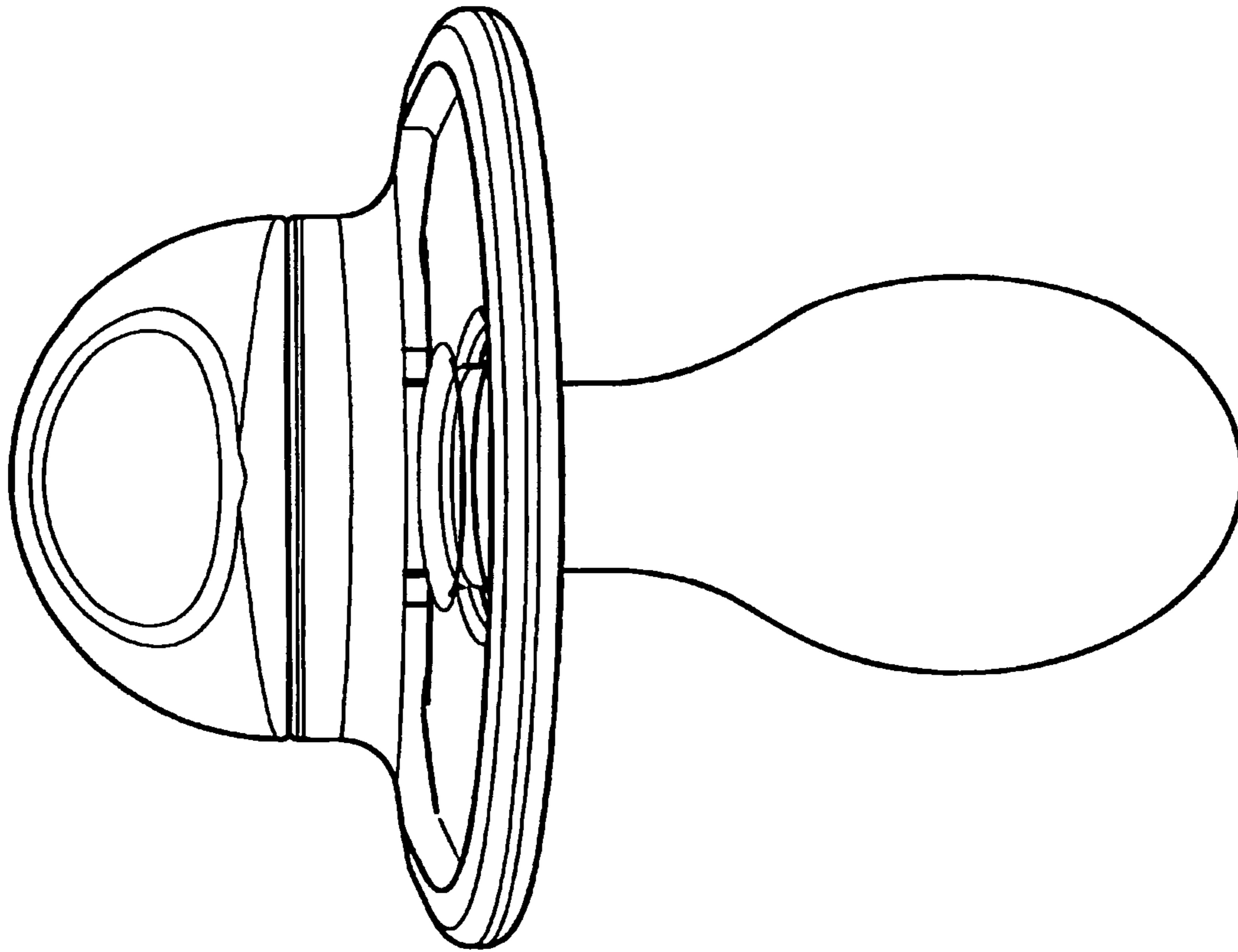


Fig. 3

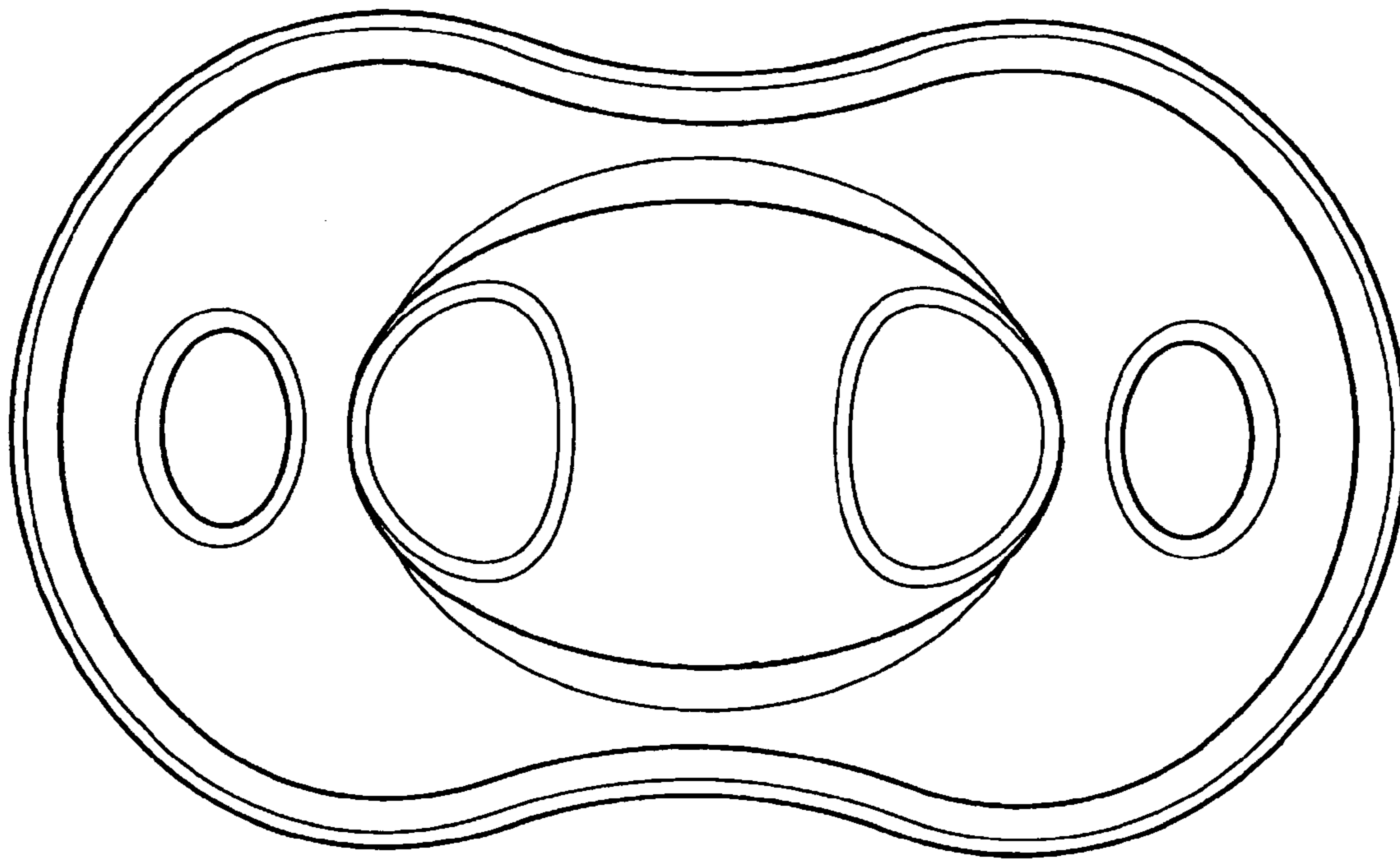


Fig. 4

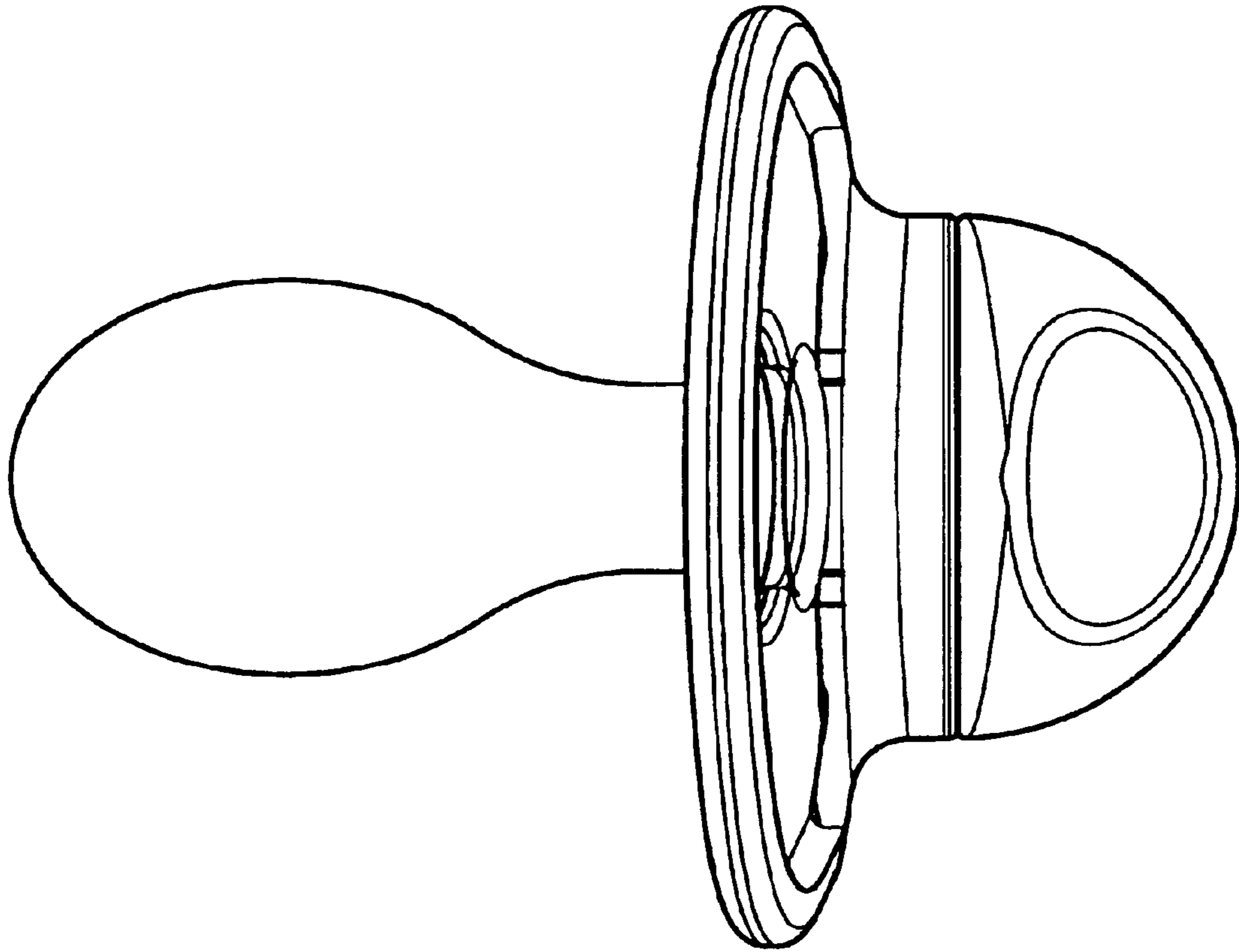


Fig. 5

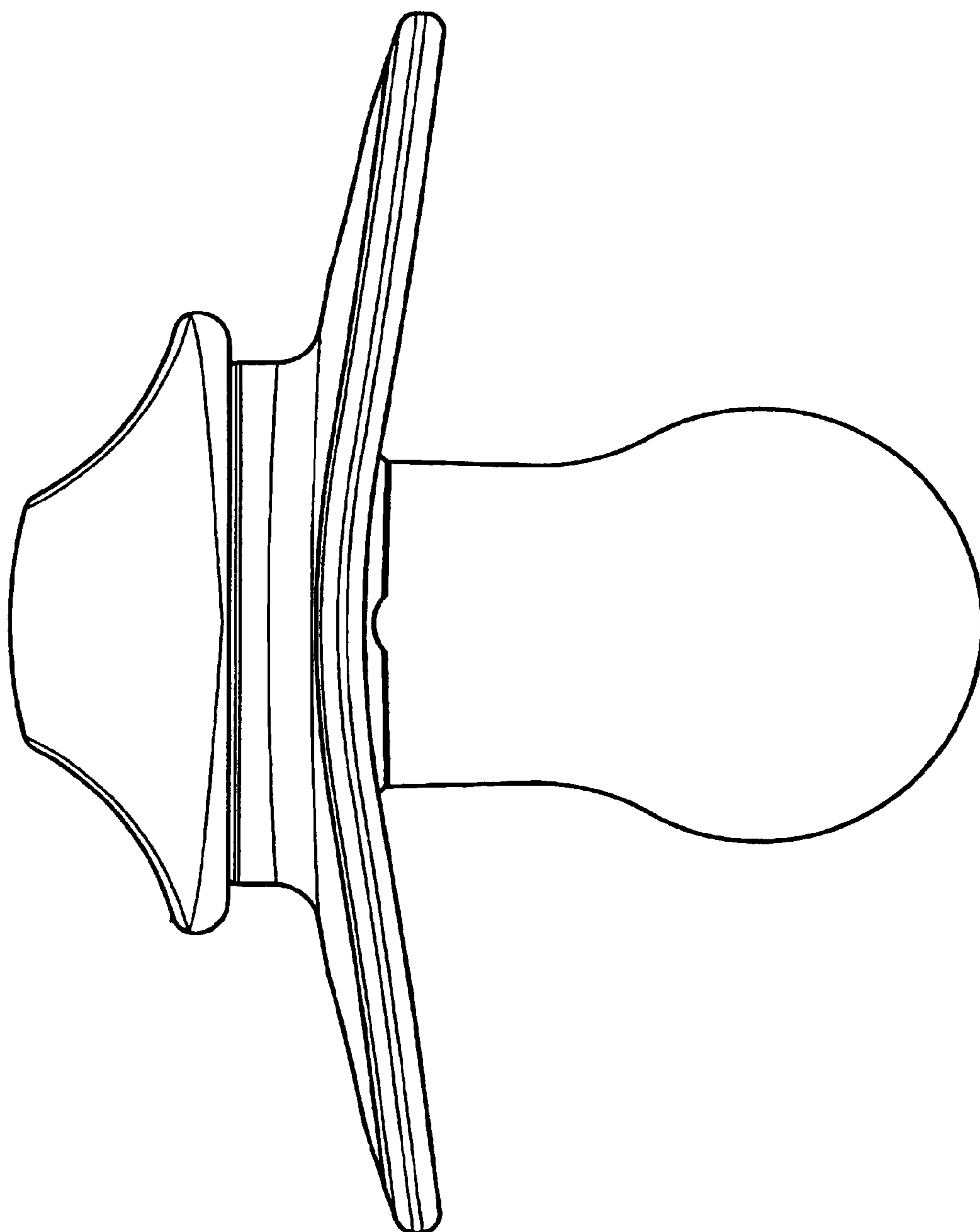


Fig. 6

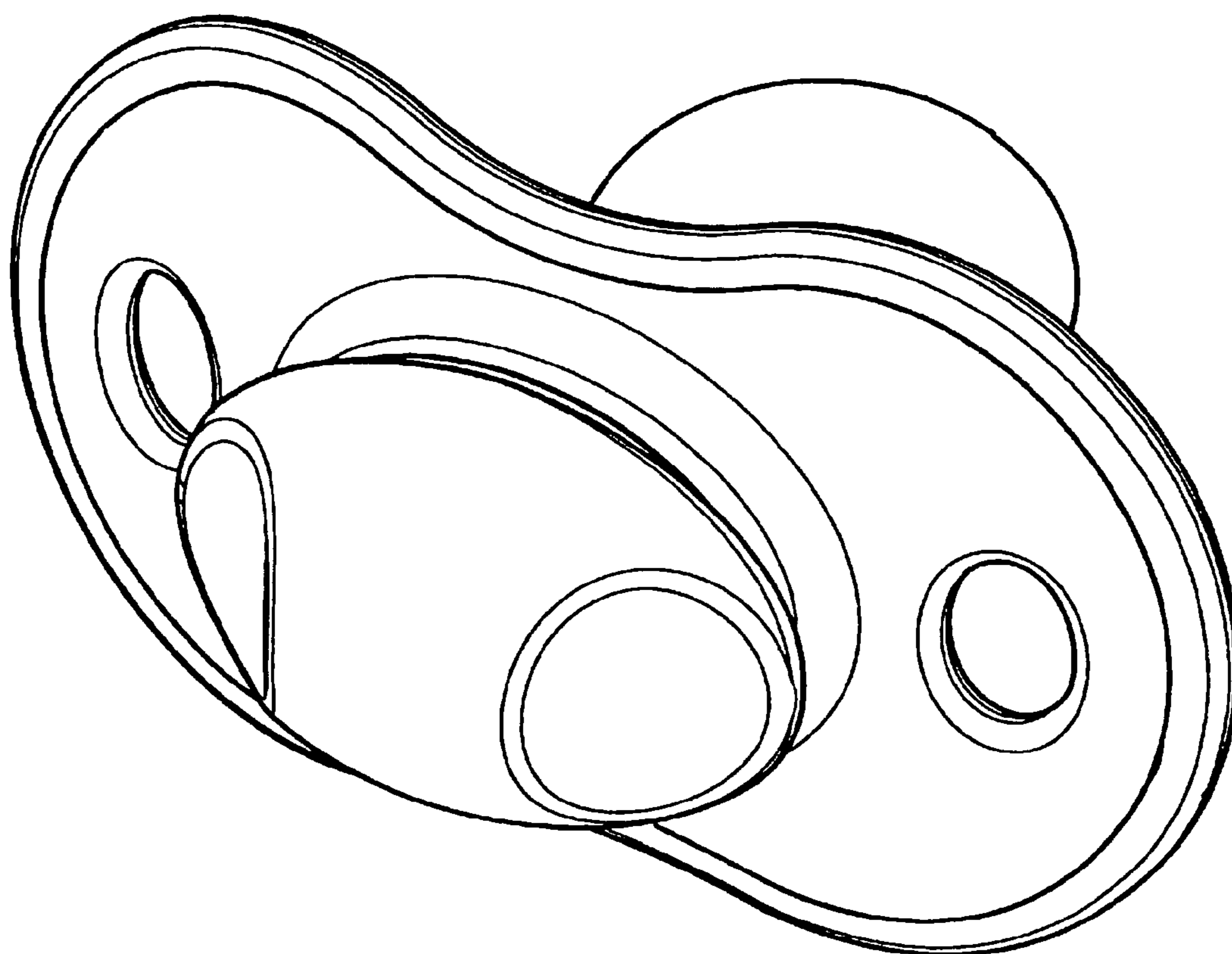


Fig. 7

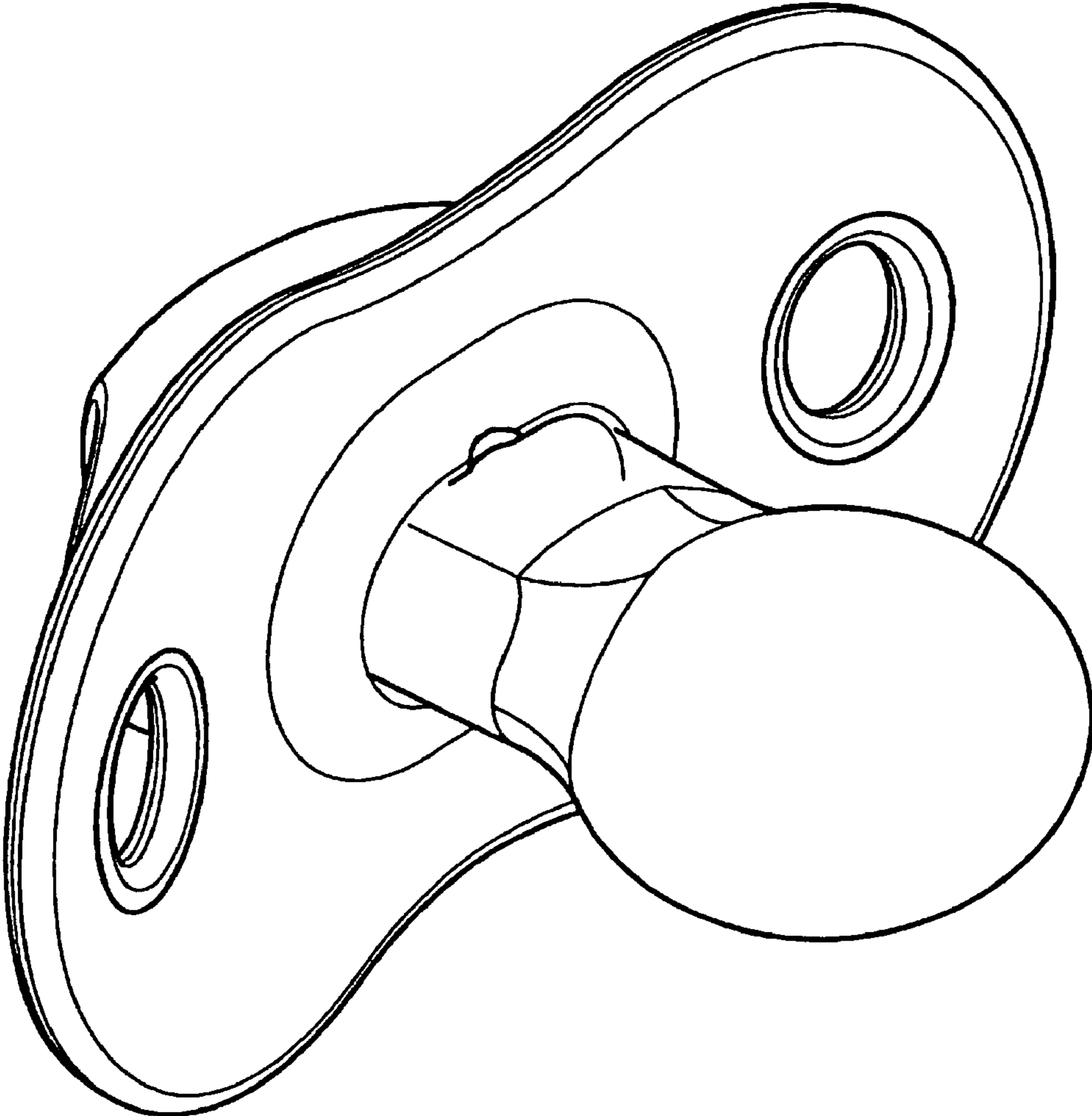


Fig. 8