

US00RE43717E

(19) **United States**  
(12) **Reissued Patent**  
**DeForte et al.**

(10) **Patent Number:** **US RE43,717 E**  
(45) **Date of Reissued Patent:** **Oct. 9, 2012**

(54) **INTERCONNECTING MUFFLE**  
(75) Inventors: **Robert L. DeForte**, Leominster, MA  
(US); **Evgeniy E. Esjunin**, Lowell, MA  
(US)  
(73) Assignee: **Saint-Gobain Ceramics & Plastics, Inc.**, Worcester, MA (US)  
(21) Appl. No.: **29/386,455**  
(22) Filed: **Mar. 1, 2011**

D417,725 S \* 12/1999 Viscolosi ..... D23/354  
6,270,305 B1 \* 8/2001 Orbeck et al. .... 414/157  
6,392,203 B1 5/2002 Schmidmayer  
7,598,477 B2 \* 10/2009 Smith ..... 219/390  
D655,804 S \* 3/2012 Platt ..... D23/365  
2006/0000196 A1 \* 1/2006 Beier et al. .... 55/497  
2009/0301460 A1 \* 12/2009 Schmidbauer et al. .... 126/19 R  
2009/0301461 A1 \* 12/2009 Taplan et al. .... 126/19 R

**OTHER PUBLICATIONS**

Crystolon muffle, as shown in on-line publication, "Refractories For Atmosphere Furnaces." (Undated). Downloaded from URL: www.refractories.Saint-Gobain.com Jun. 13, 2012. (6 pages, see p. 4).\*

\* cited by examiner

*Primary Examiner* — Karen E Eldridge Powers  
(74) *Attorney, Agent, or Firm* — Abel Law Group, LLP; Christopher Cianciolo

**Related U.S. Patent Documents**

Reissue of:

(64) Patent No.: **Des. 569,491**  
Issued: **May 20, 2008**  
Appl. No.: **29/289,033**  
Filed: **Jul. 2, 2007**

(51) **LOC (9) Cl.** ..... **23-03**  
(52) **U.S. Cl.** ..... **D23/386**  
(58) **Field of Classification Search** ..... D23/341,  
D23/354, 358, 363, 386, 393, 422, 499; D25/119,  
D25/120, 121, 122, 123, 124, 125; 55/497,  
55/498, 502, 503, 505, 506, 521, DIG. 30;  
126/19 R; 219/90, 405; 432/152, 153, 156,  
432/200, 250, 253, 266  
See application file for complete search history.

(57) **CLAIM**

The ornamental design for an interconnecting muffle, as shown and described.

**DESCRIPTION**

The article is an interconnecting muffle for holding materials in a high temperature environment.  
FIG. 1 is a front view of the interconnecting muffle embodying my new design;  
FIG. 2 is a back view thereof;  
FIG. 3 is a side view thereof, the opposite side being a mirror image;  
FIG. 4 is a top view thereof, the opposite side being a mirror image; and  
FIG. 5 is a perspective view thereof.  
FIG. 6 is a front view of another embodiment of the interconnecting muffle;  
FIG. 7 is a back view thereof; and,  
FIG. 8 is a perspective view thereof.

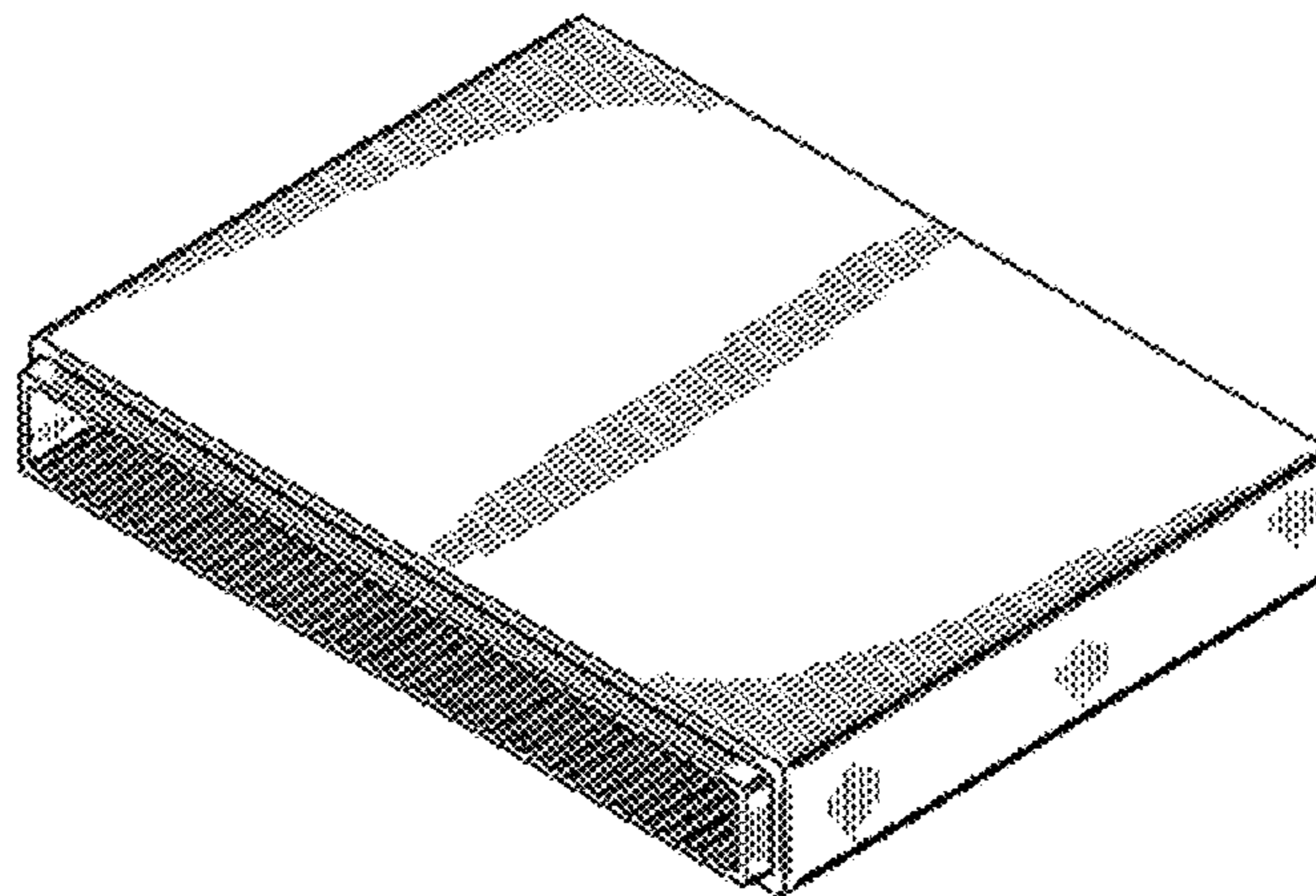
**1 Claim, 3 Drawing Sheets**

**Matter enclosed in heavy brackets [ ] appears in the original patent but forms no part of this reissue; matter printed in italics indicates the additions made by reissue.**

(56) **References Cited**

**U.S. PATENT DOCUMENTS**

1,520,408 A \* 12/1924 Ebeling ..... 432/155  
1,661,309 A 3/1928 Saxe  
2,381,538 A 8/1945 Harris  
2,383,353 A 8/1945 Steele  
2,849,222 A \* 8/1958 Senger ..... 432/249  
3,582,054 A \* 6/1971 Beck ..... 432/50  
3,615,082 A \* 10/1971 Beck ..... 432/266  
3,621,169 A 11/1971 Heft et al.  
3,749,882 A 7/1973 Pilkington et al.  
3,859,041 A 1/1975 Winslow  
3,980,028 A 9/1976 Ginsburg  
4,032,290 A 6/1977 Soderlund et al.  
4,213,753 A 7/1980 Negroni et al.  
4,629,865 A \* 12/1986 Freedman et al. .... 219/405  
5,577,157 A 11/1996 Sopori



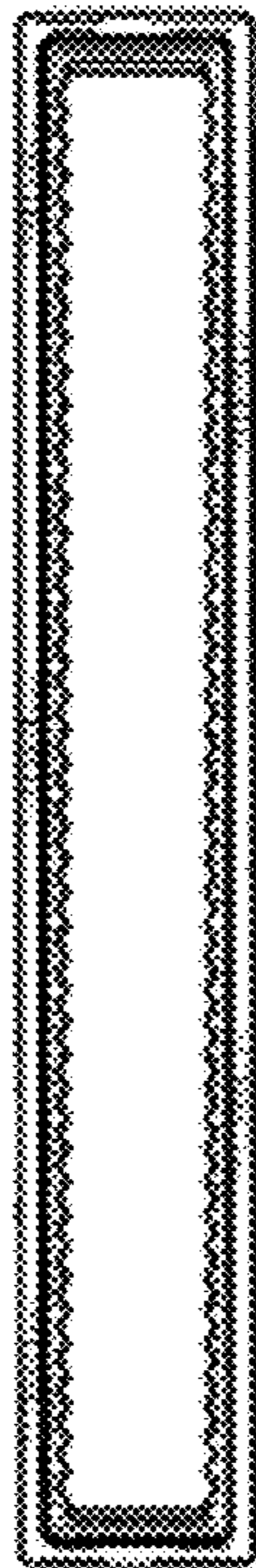


FIG. 1

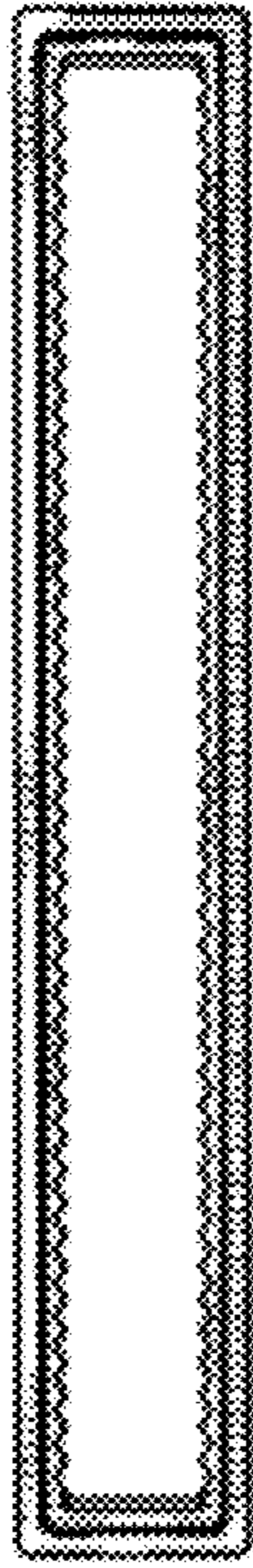


FIG. 2

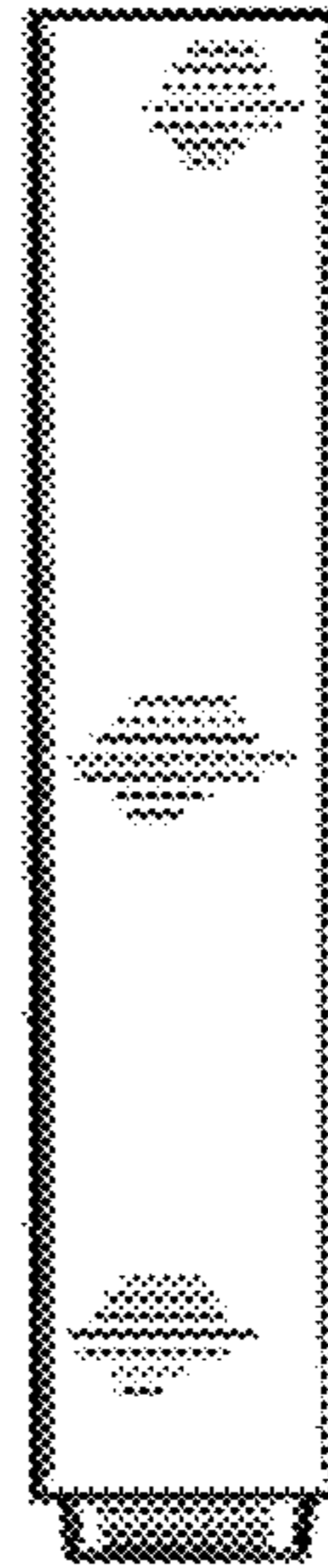


FIG. 3



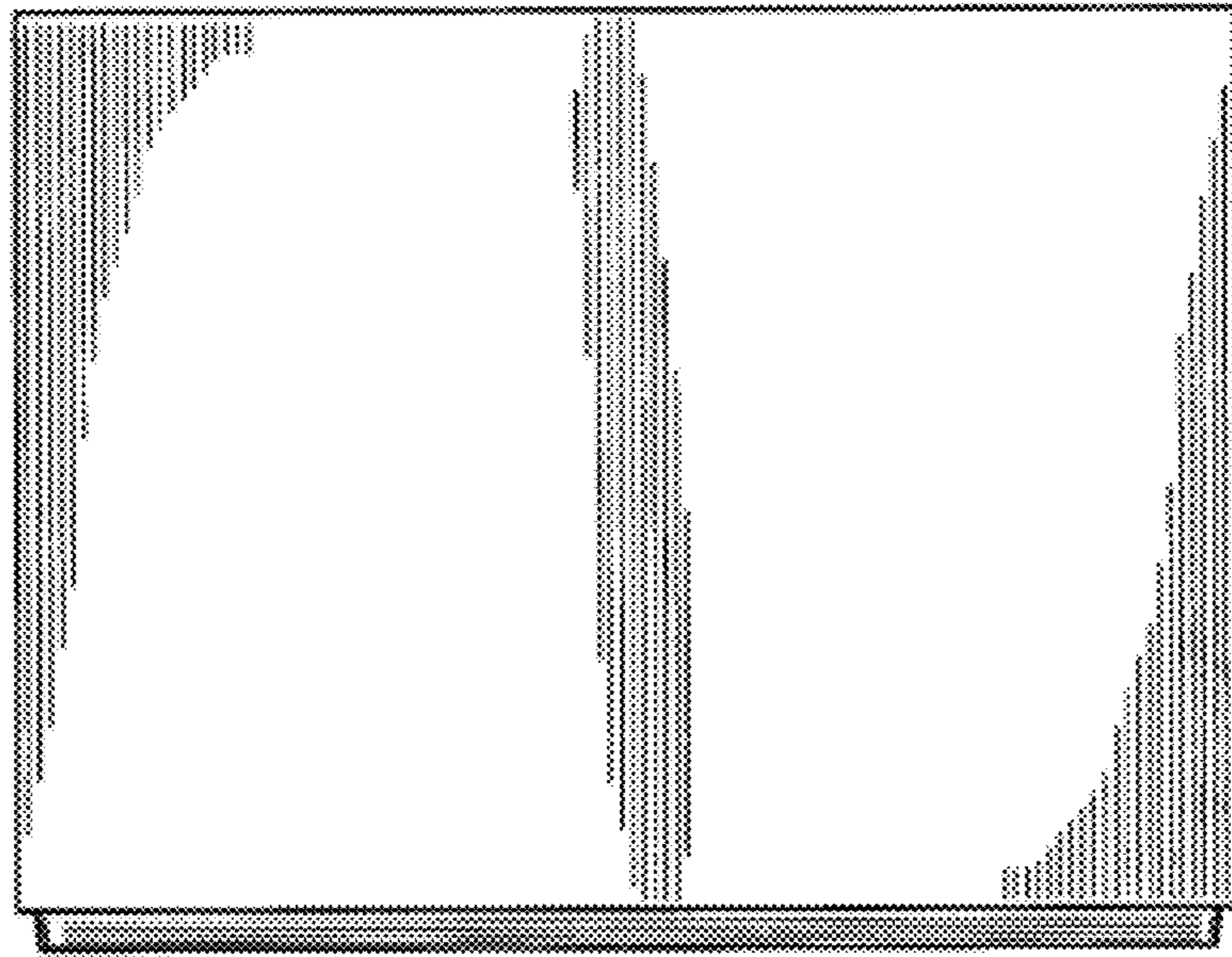


FIG. 4

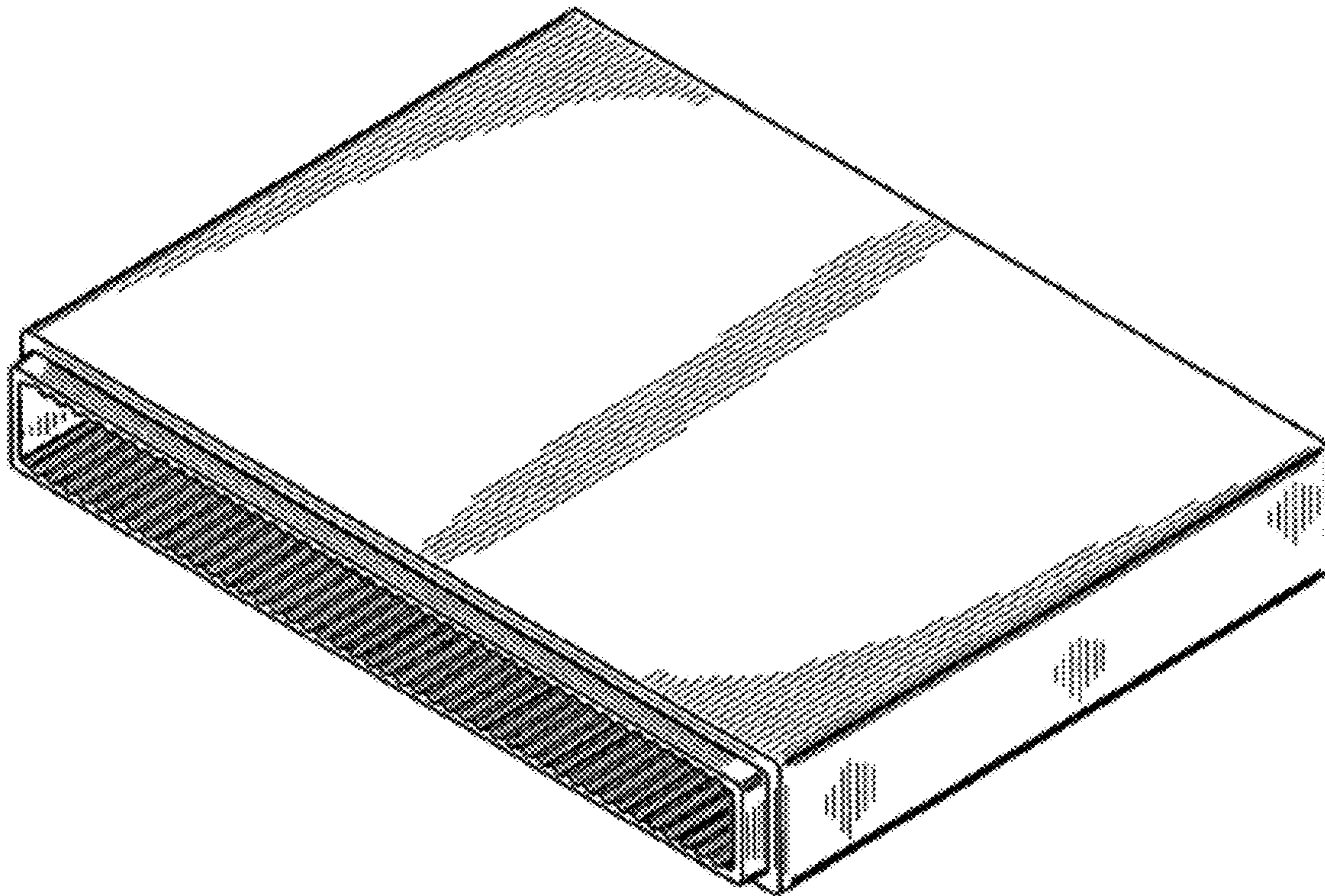


FIG. 5

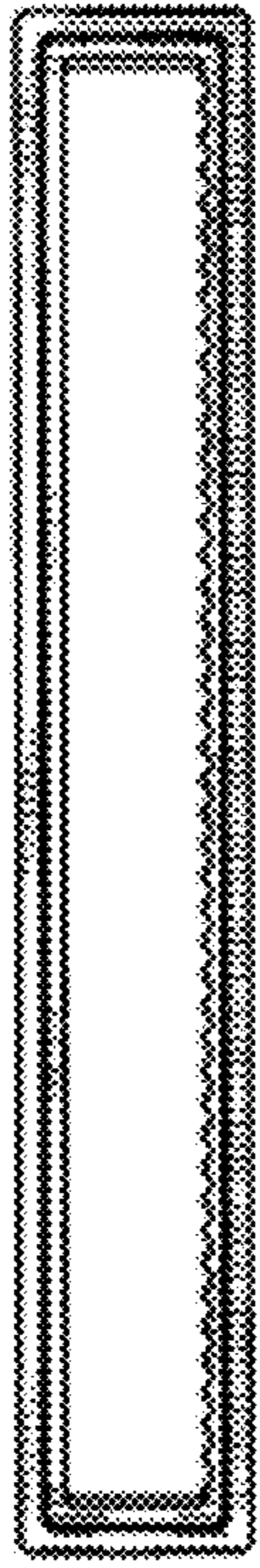


FIG. 6

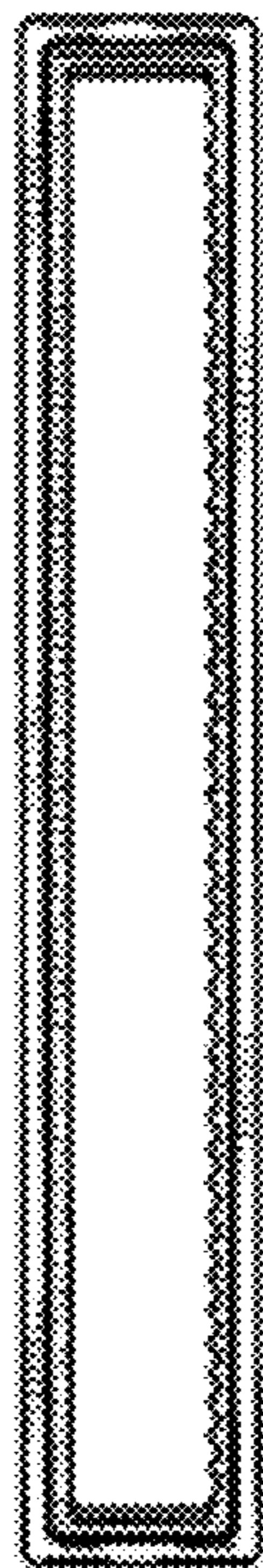


FIG. 7

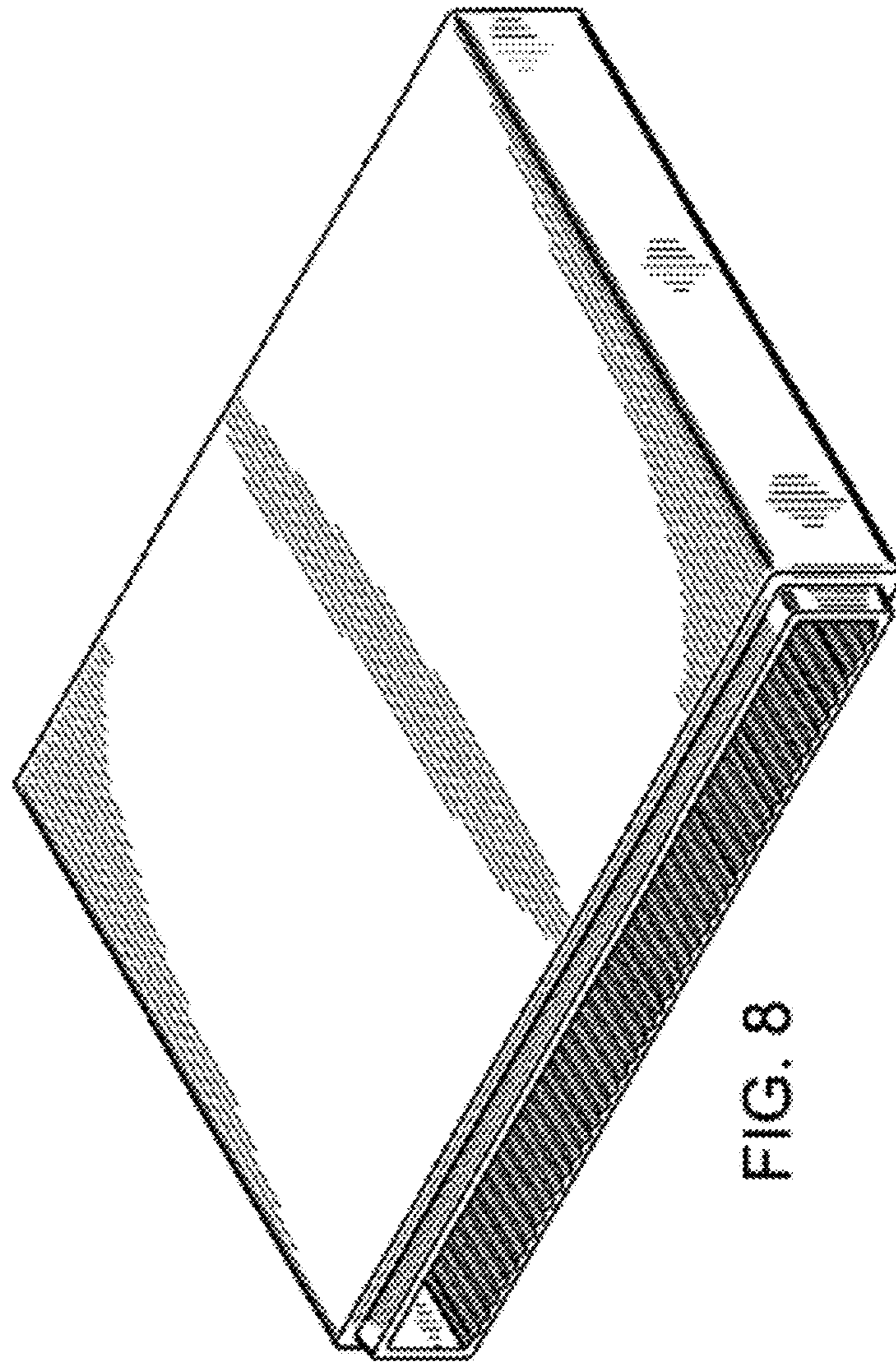


FIG. 8