



US00RE43636E

(19) **United States**
(12) **Reissued Patent**
Katoh et al.

(10) **Patent Number:** **US RE43,636 E**
(45) **Date of Reissued Patent:** **Sep. 11, 2012**

(54) **SPEED CONTROLLED MACHINE TOOL**

(56) **References Cited**

(75) Inventors: **Koichi Katoh**, Shizuoka-ken (JP);
Yasunori Katoh, Shizuoka-ken (JP)
(73) Assignee: **Toshiba Kikai Kabushiki Kaisha**,
Tokyo (JP)

U.S. PATENT DOCUMENTS
2,023,245 A * 12/1935 Schou 310/160
3,378,756 A * 4/1968 Potter 322/32
3,752,595 A 8/1973 Woythal et al.
4,077,736 A 3/1978 Hutchens

(Continued)

(21) Appl. No.: **11/898,201**

FOREIGN PATENT DOCUMENTS

(22) Filed: **Sep. 10, 2007**

GB 2014332 8/1979
JP 363109941 A 5/1988
JP 5-177485 7/1993

Related U.S. Patent Documents

Reissue of:

(64) Patent No.: **6,579,215**
Issued: **Jun. 17, 2003**
Appl. No.: **10/198,937**
Filed: **Jul. 22, 2002**

Primary Examiner — Rina Duda

(74) Attorney, Agent, or Firm — Pillsbury Winthrop Shaw
Pittman, LLP

U.S. Applications:

(62) Division of application No. 11/154,997, filed on Jun.
17, 2005, now abandoned, which is a division of appli-
cation No. 09/866,943, filed on May 30, 2001, now
Pat. No. 6,474,913.

(57) **ABSTRACT**

[A tool, attachable to a spindle of a machine tool and capable
of changing independently a rotational speed of a cutting tool
from that of the spindle, provided with a cutting tool for
machining a workpiece, an electric motor for driving the
machining tool, a generator for generating electric power to
drive the electric motor by the rotation of the spindle, a tool
holding part for rotatably holding the cutting tool, a casing for
holding the electric motor, the generator, the tool attachment
part, and the tool holding part, and a locking part for prevent-
ing rotation of the casing by engagement with a non-rotating
part of the machine tool.] *A tool includes an AC generator, an
AC motor and a case holding the generator and motor such
that the generator and the motor are arranged in the case
along a center axis and a longitudinal direction of a rotatable
portion of the generator. A rotation speed of an output shaft of
the motor is based on a rotation speed of an input shaft of the
generator and a ratio, between a number of poles of the
generator and a number of poles of the motor.*

(30) **Foreign Application Priority Data**

May 31, 2000 (JP) 2000-163437
Jun. 5, 2000 (JP) 2000-168231
Aug. 22, 2000 (JP) 2000-251096

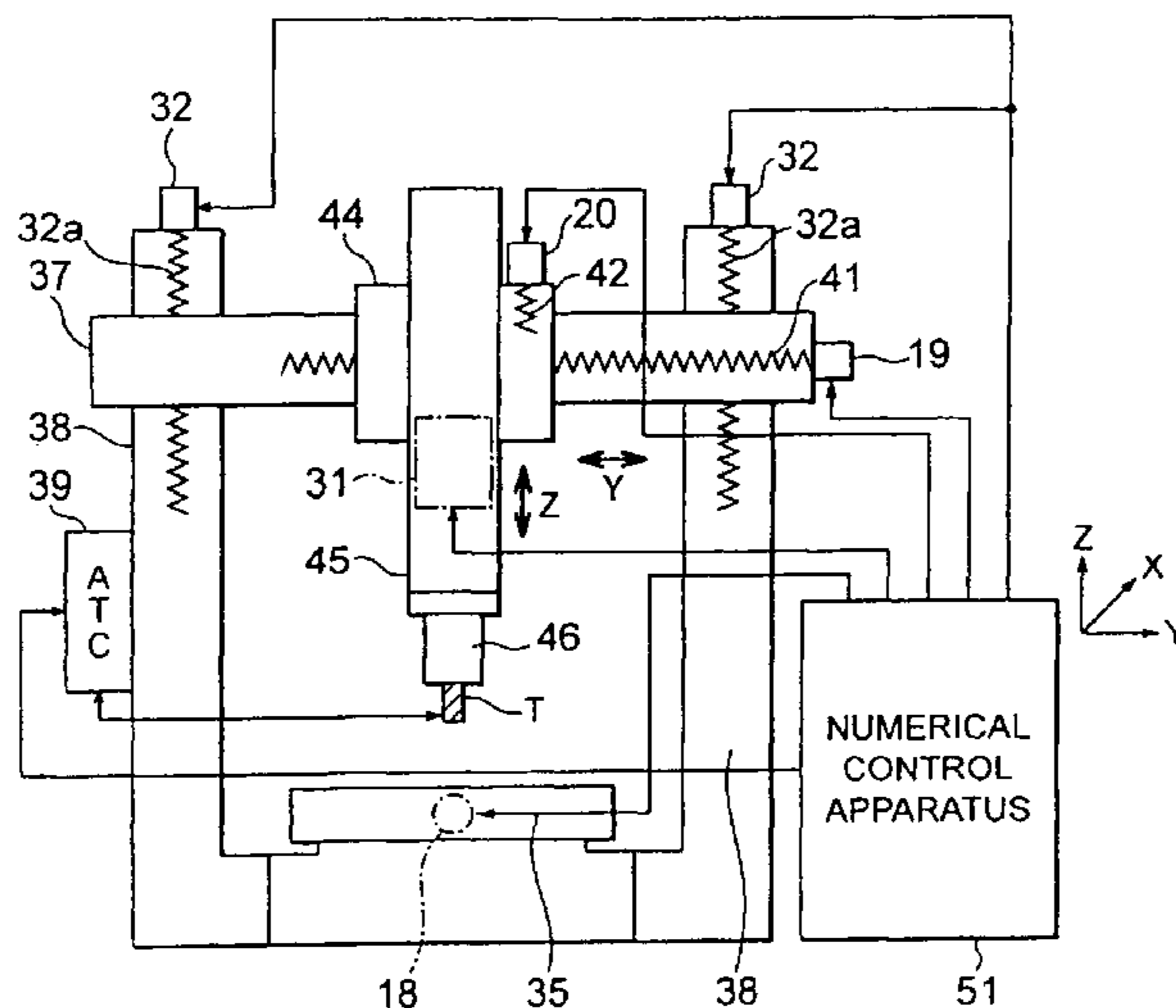
(51) **Int. Cl.**
H02P 1/04 (2006.01)

(52) **U.S. Cl.** **318/461**; 388/937; 408/238; 409/230;
409/232; 409/234; 483/30

(58) **Field of Classification Search** 318/461,
318/140, 727; 388/937; 409/230, 232, 234;
408/238; 483/30

See application file for complete search history.

18 Claims, 11 Drawing Sheets



US RE43,636 E

Page 2

U.S. PATENT DOCUMENTS

4,488,053	A *	12/1984	Cronin	290/4 C	5,564,872	A	10/1996	Veil et al.
4,716,657	A	1/1988	Collingwood		5,636,949	A	6/1997	Nakamura et al.
4,741,650	A	5/1988	Nakata		5,697,739	A	12/1997	Lewis et al.
4,805,404	A	2/1989	Dupin		6,049,197	A *	4/2000	Caamano 322/89

* cited by examiner

FIG. 1

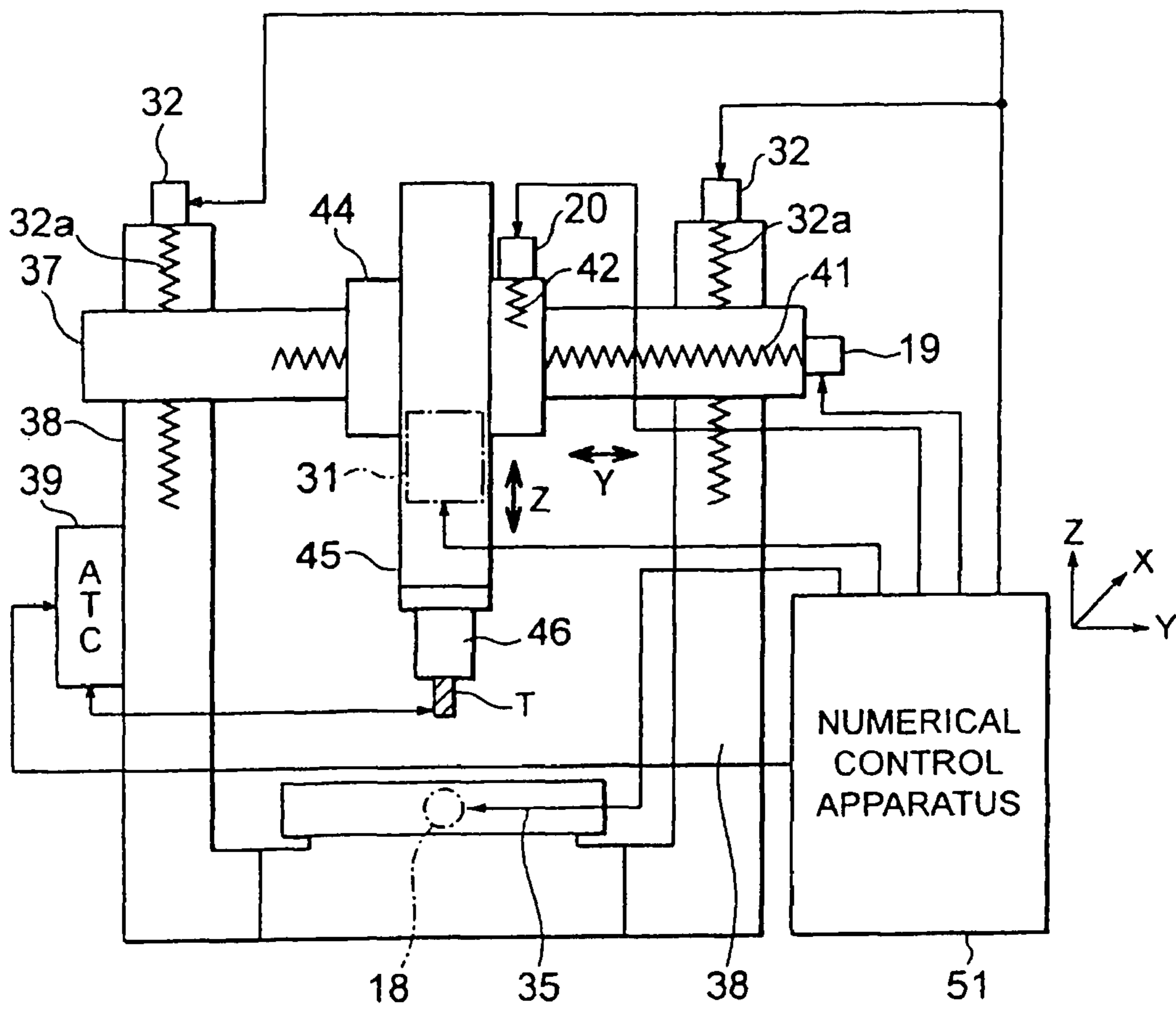


FIG. 2

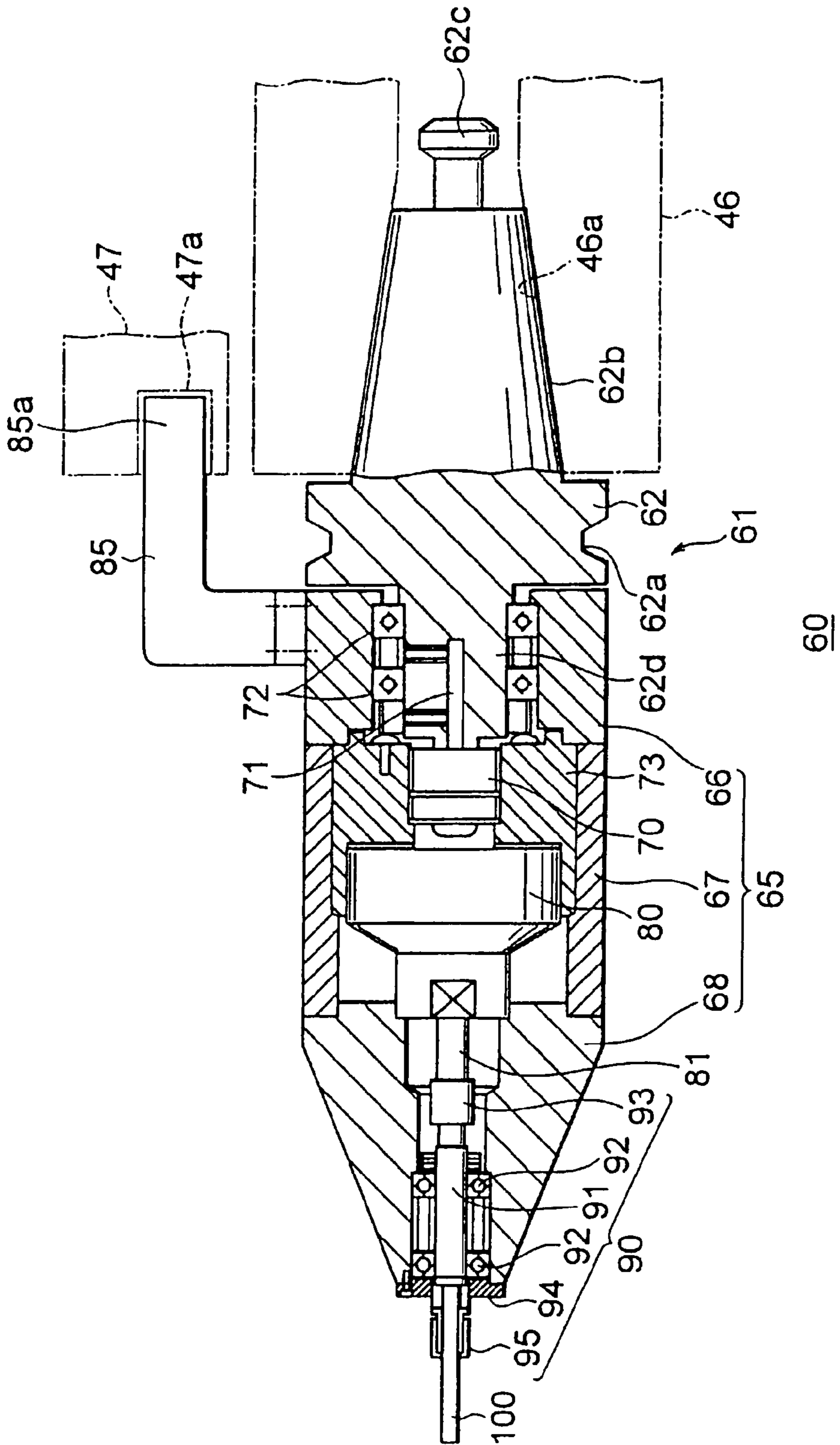


FIG. 3

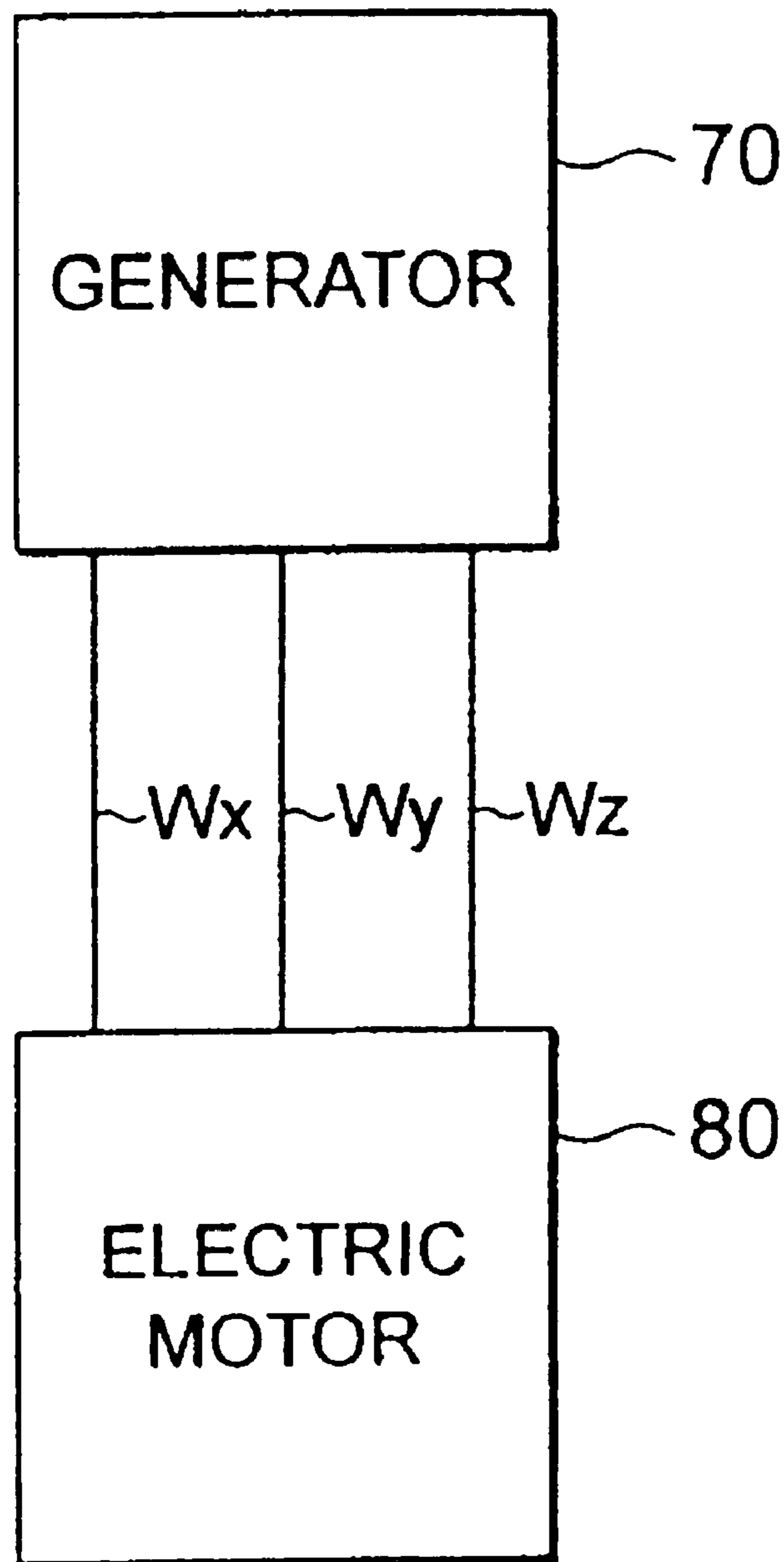


FIG. 4

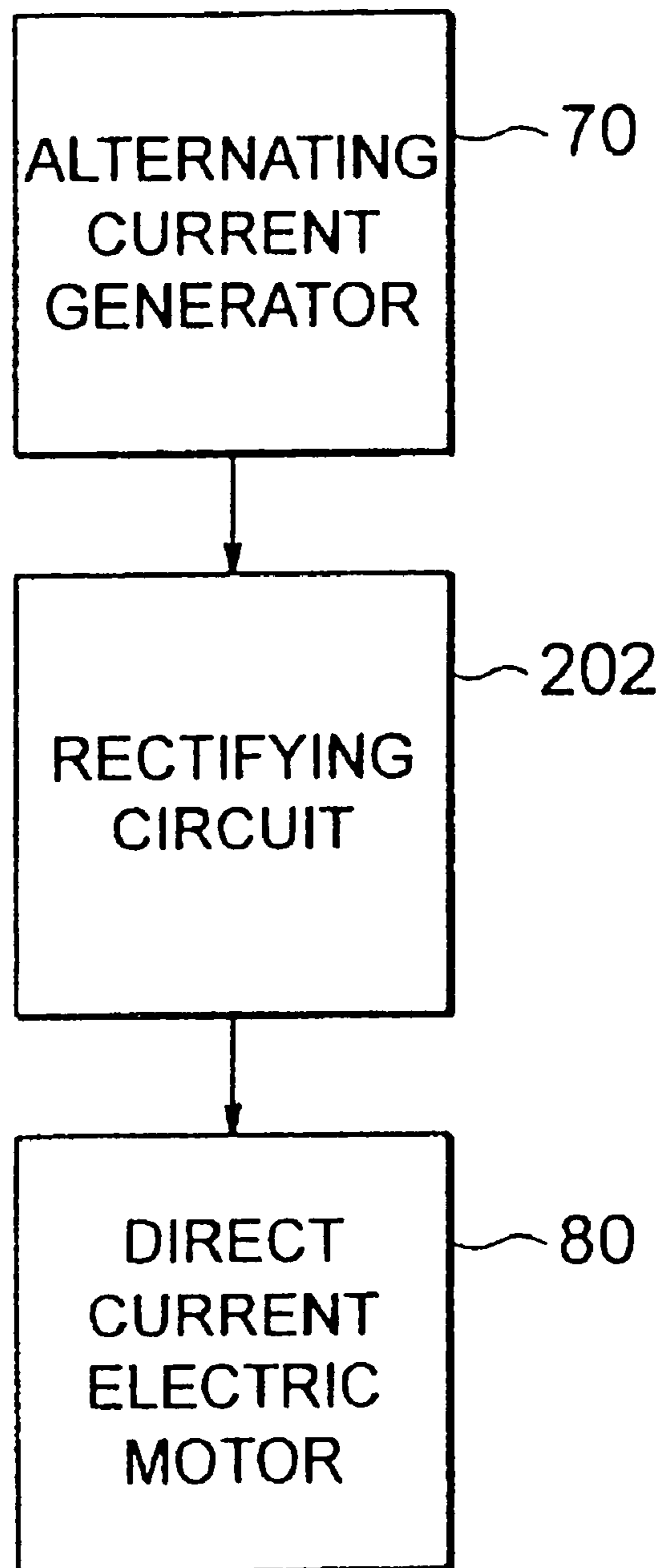


FIG. 5

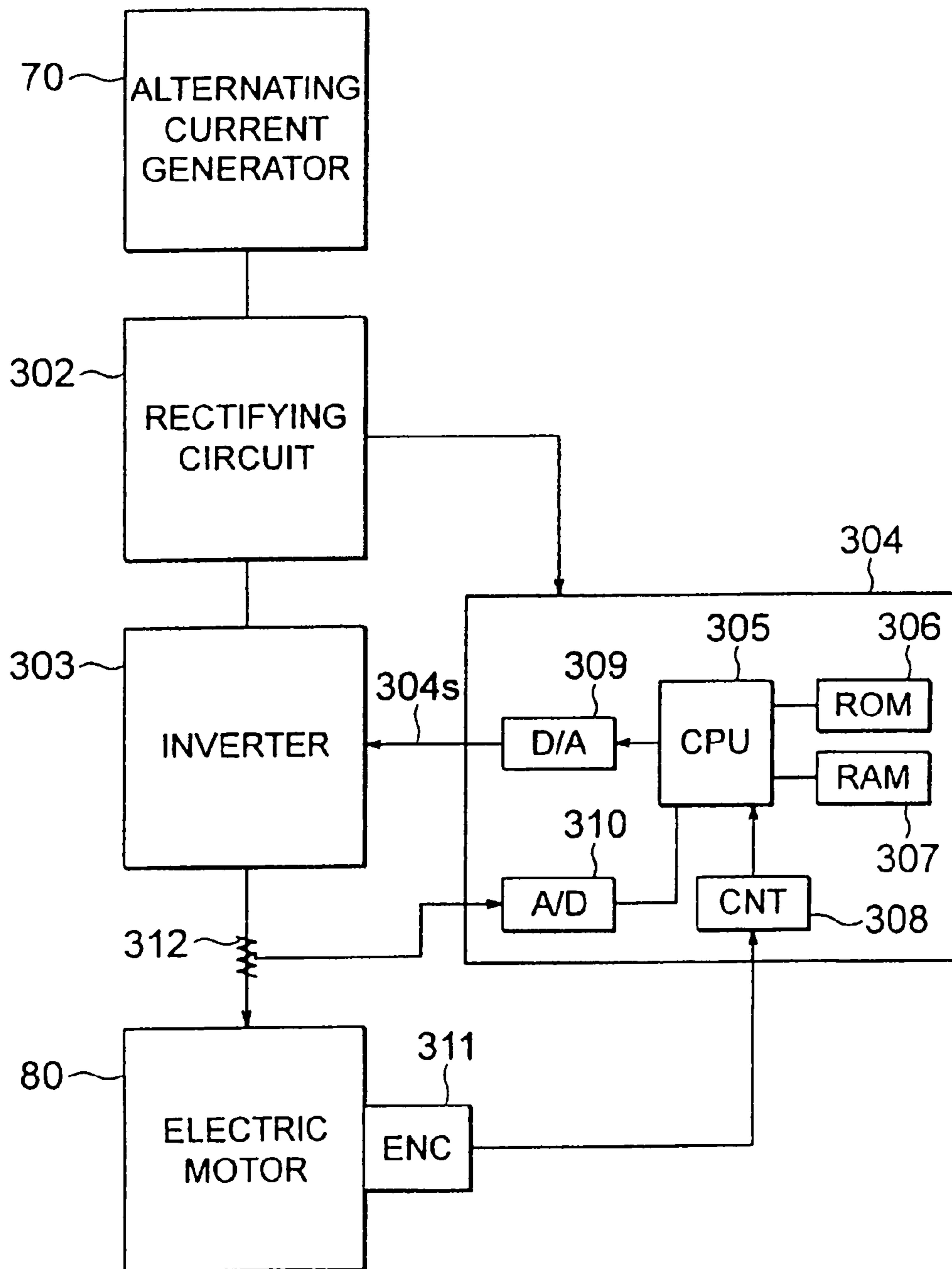


FIG. 6

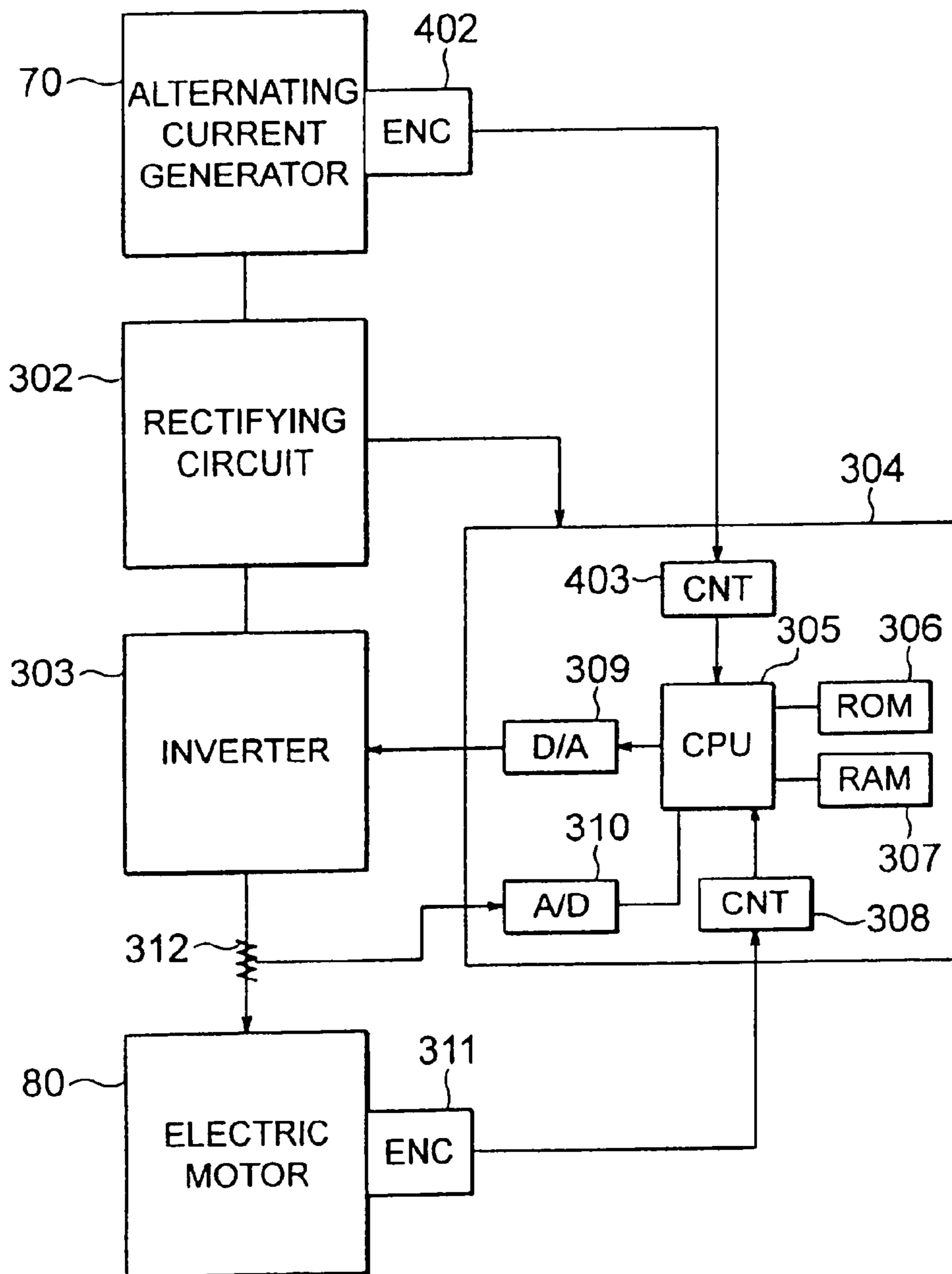


FIG. 7

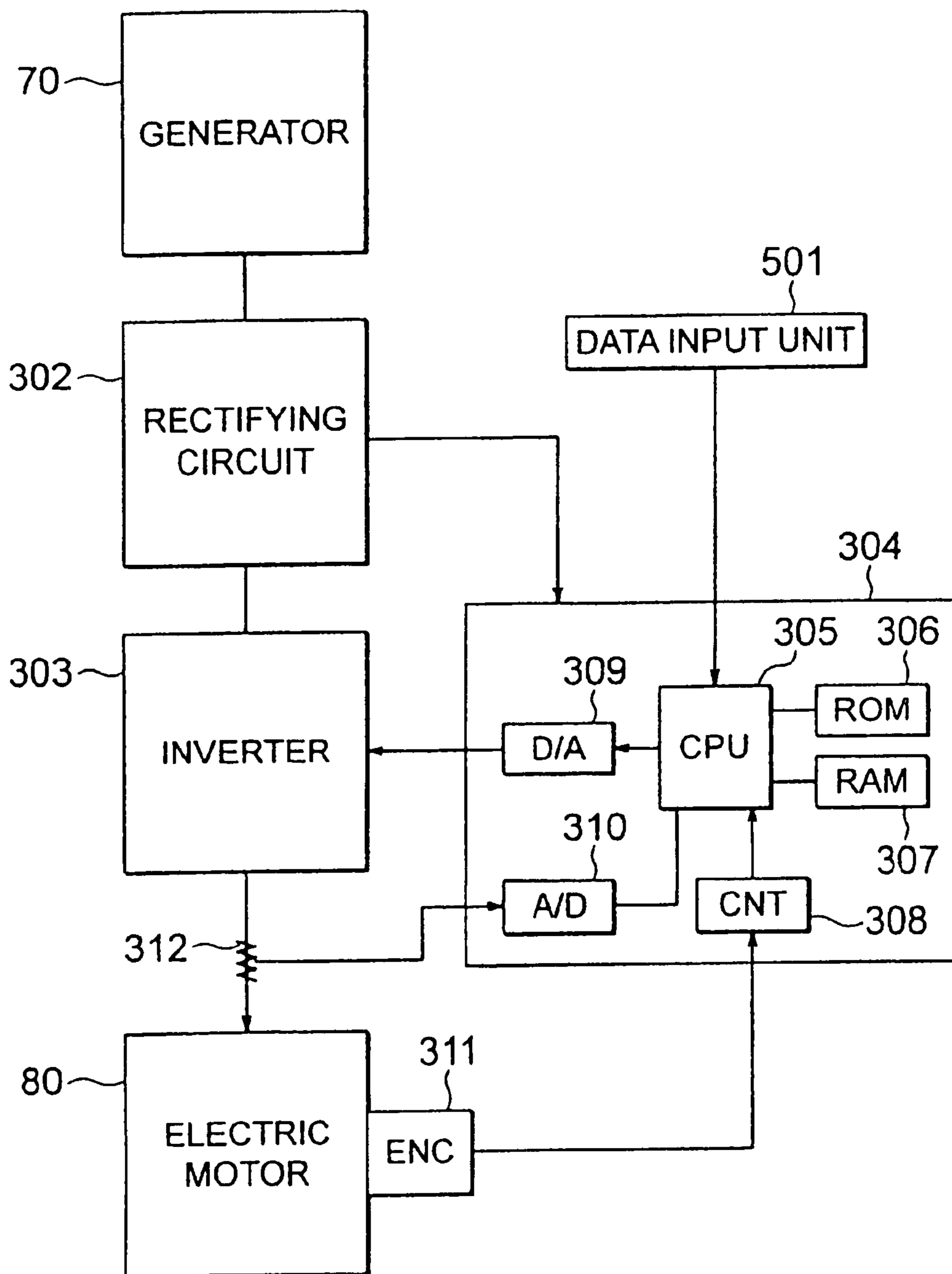


FIG. 8

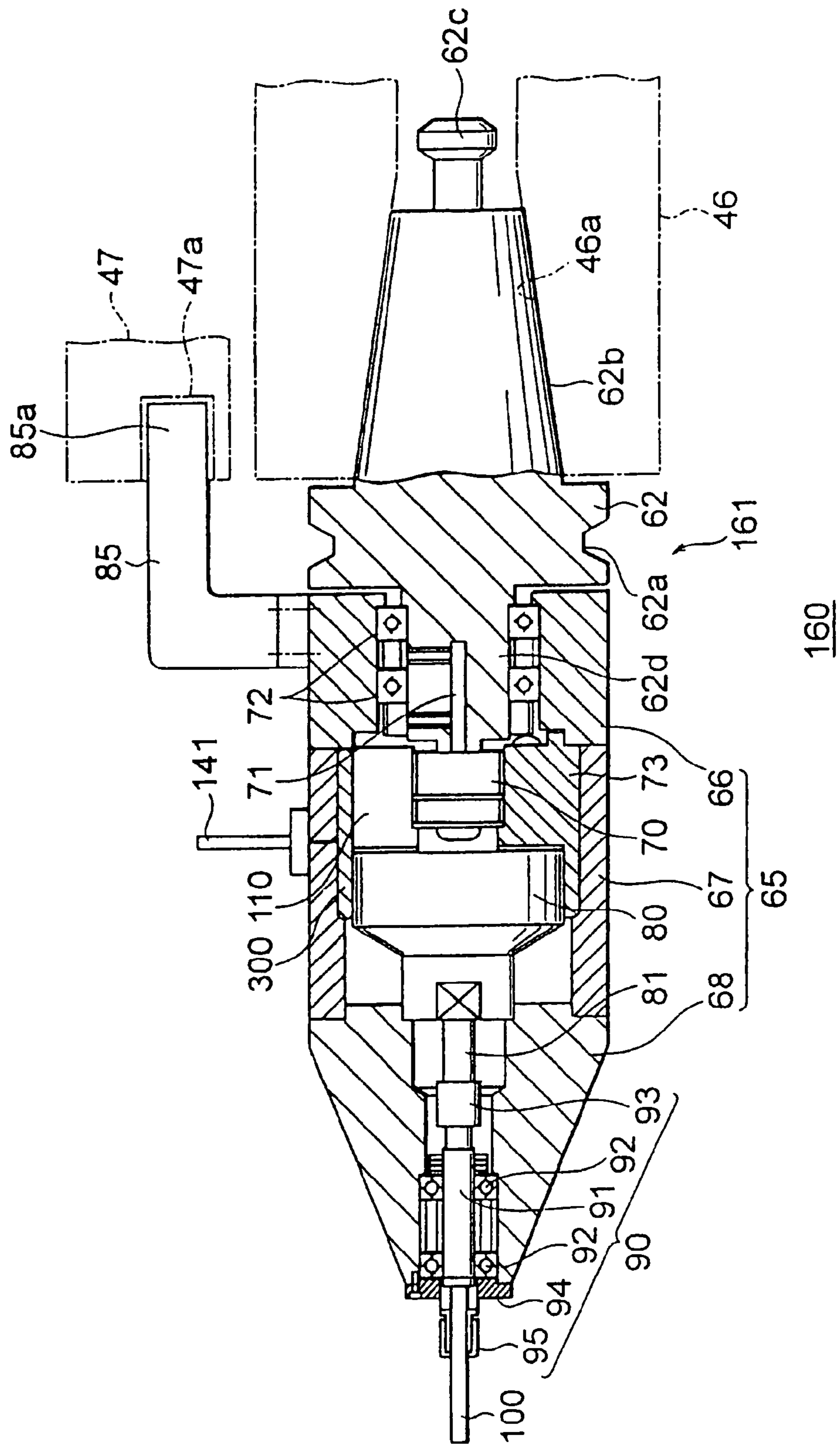


FIG. 9

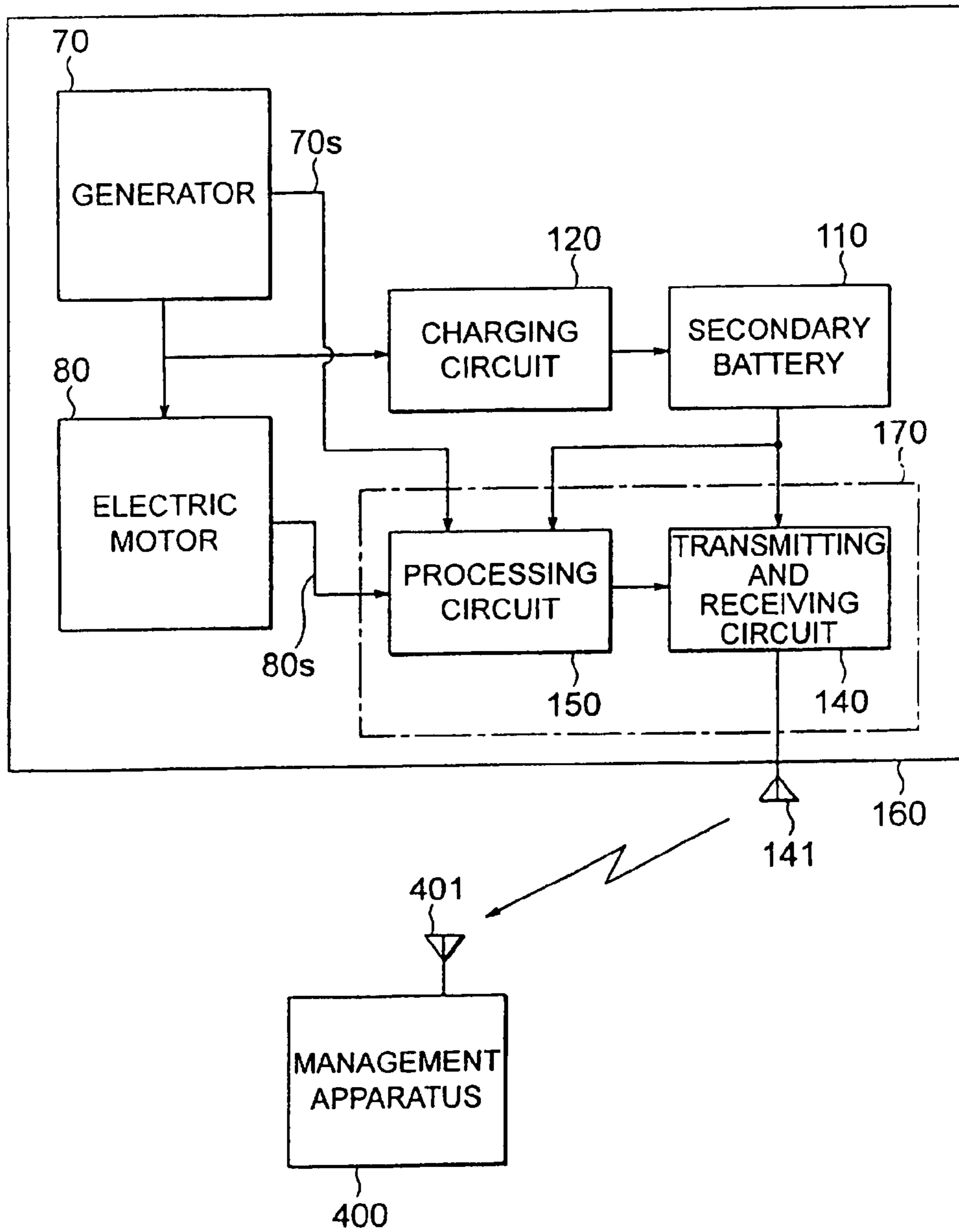


FIG. 10

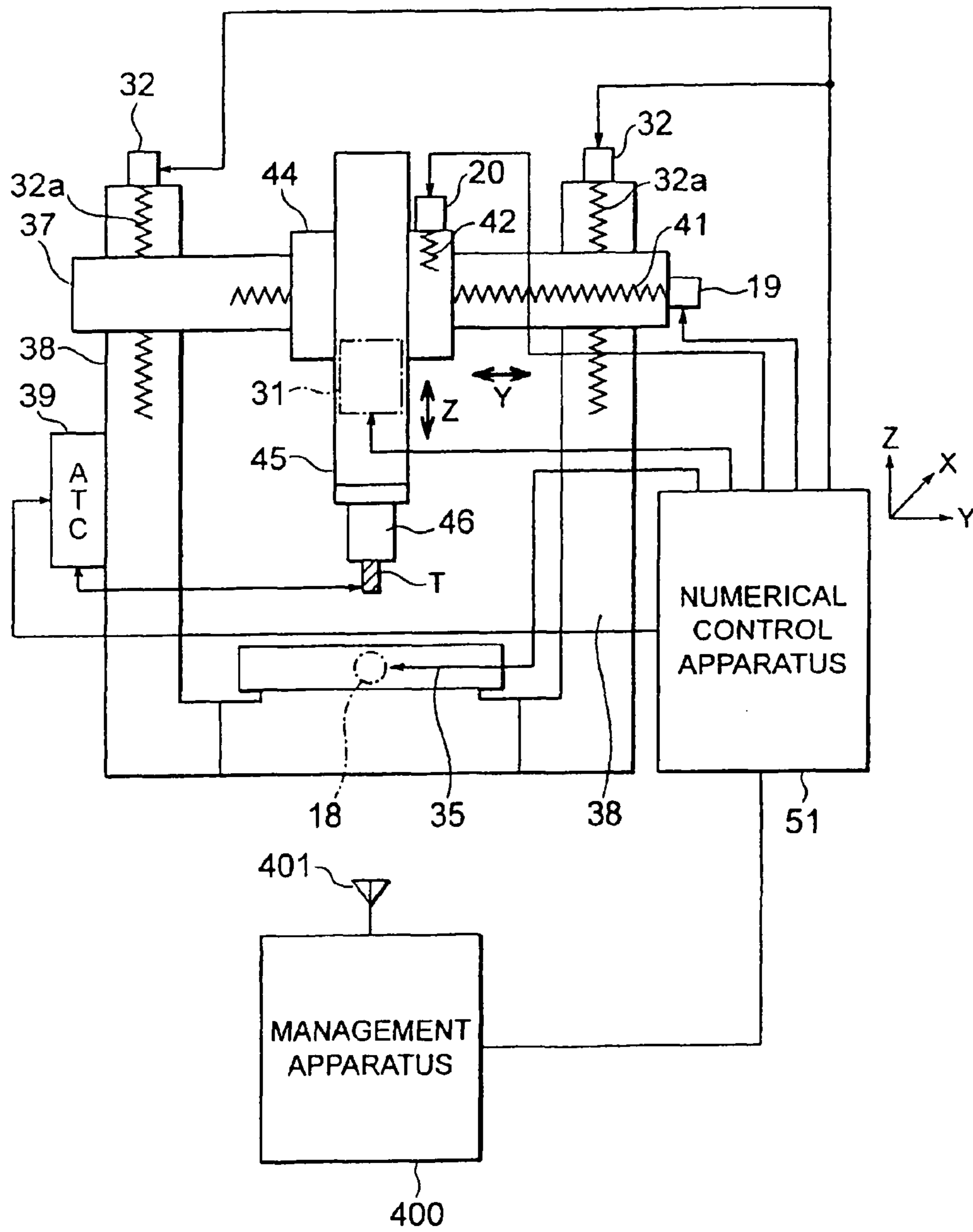
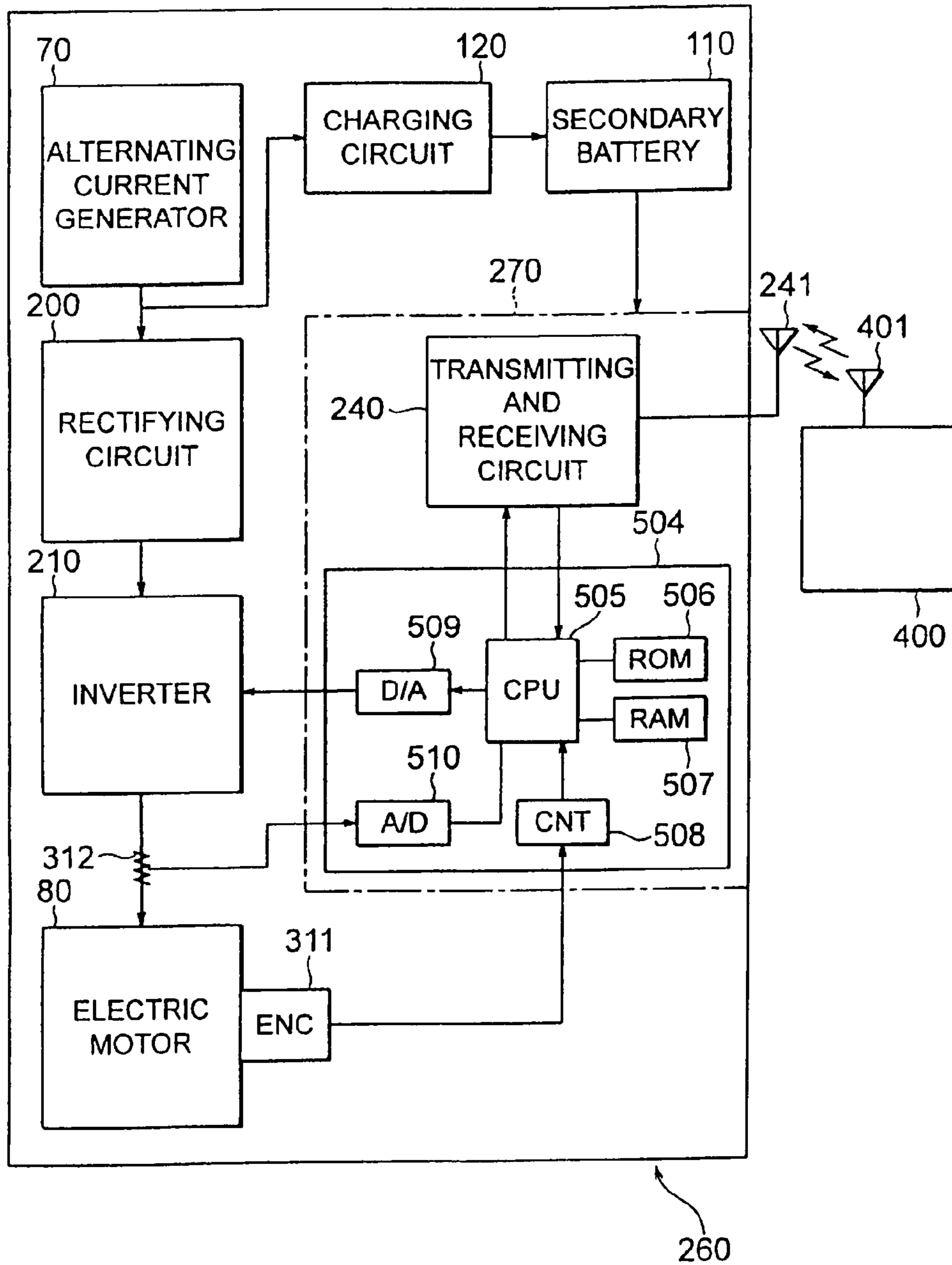


FIG. 11



SPEED CONTROLLED MACHINE TOOL

Matter enclosed in heavy brackets [] appears in the original patent but forms no part of this reissue specification; matter printed in italics indicates the additions made by reissue.

This is a divisional (reissue) of application Ser. No. 11/154, 997 filed Jun. 17, 2005, now abandoned, which is a Reissue of application Ser. No. 10/198,937, filed Jul. 22, 2002, U.S. Pat. No. 6,579,215, is a divisional of application Ser. No. 09/866, 943 filed May 30, 2001, U.S. Pat. No. 6,474,913 which claims priority to Japanese Patent Application No. 2000-163437 filed May 31, 2000, Japanese Patent Application No. 2000-168231 filed Jun. 5, 2000, and Japanese Patent Application No. 2000-251096 filed Aug. 22, 2000.

BACKGROUND OF THE INVENTION

1. Field of the Invention

The present invention relates to a tool and a tool holder to be used in a machine tool. More particularly, the present invention relates to a tool and tool holder removably attachable to the spindle of a machine tool.

2. Description of the Related Art

In a machine tool provided with a spindle such as machining center, the maximum rotational speed of the spindle is determined by the structure of a bearing rotatably supporting the spindle and a lubrication system of this bearing. For this reason, when it is necessary to rotate a tool at a higher rotational speed than the maximum rotational speed of the spindle, an accelerating apparatus is used.

As the accelerating apparatus, for example, an accelerating apparatus provided with a gear mechanism such as an epicyclic gearing which holds the tool and is removably attachable to the spindle is well known.

However, when raising the rotational speed of the tool to a higher speed than the maximum rotational speed of the spindle by the above gear mechanism, the accelerating apparatus increasingly generates heat at a super high rotational speed such as tens of thousands to hundreds of thousands of revolutions per minute, so the machining tolerance of a workpiece can be influenced by the heat. Further, at the above super high rotational speed, the noise from the accelerating apparatus can also increase. Furthermore, a highly reliable precision structure able to withstand the above super high rotational speed is required for the accelerating apparatus, so there is the disadvantage that the manufacturing cost becomes relatively high.

SUMMARY OF THE INVENTION

An object of the present invention is to provide a tool and a tool holder capable of changing the rotational speed of a machining tool for machining a workpiece independently from the rotational speed of a spindle of a machine tool.

Another object of the present invention is to provide a machine tool provided with the above tool and tool holder.

Still another object of the present invention is to provide a method of driving the above tool.

Still another object of the present invention is to provide a tool management system for managing the above tool.

According to a first aspect of the present invention, there is provided a tool attachable to a spindle of a machine tool comprising a machining tool for machining a workpiece; an

electric motor for driving the machining tool; and a generator for generating electric power to drive the electric motor by the rotation of the spindle.

According to a second aspect of the present invention, there is provided a tool attachable to a spindle of a machine tool comprising a machining tool for machining a workpiece; an electric motor for driving the machining tool; a generator for generating electric power to drive the electric motor by the rotation of the spindle; and a control means for controlling a supply of electric power generated by the generator to drive and control the machining tool.

According to a third aspect of the present invention, there is provided a tool attachable to a spindle of a machine tool comprising a machining tool for machining a workpiece; an electric motor for driving the machining tool; a generator for generating electric power to drive the electric motor by the rotation of the spindle; an electric power receiving part other than the electric motor for receiving supply of the electric power; a secondary battery able to supply power to the electric power receiving part; and a charging circuit for charging the secondary battery with part of the electric power generated by the generator.

According to a fourth aspect of the present invention, there is provided a tool attachable to a spindle of a machine tool comprising a machining tool for machining a workpiece; an electric motor for driving the machining tool; a generator for generating electric power, to drive the electric motor by the rotation of the spindle; a processing circuit for processing data related to machining of the workpiece by the machining tool; and a transmitting and receiving circuit for performing at least one of transmission and reception of a wireless signal indicating information related to machining of a workpiece by the machining tool.

According to a fifth aspect of the present invention, there is provided a tool holder attachable to a spindle of a machine tool for rotatably holding a machining tool for machining a workpiece, the tool holder comprising an electric motor for driving the machining tool and a generator for generating electric power to drive the electric motor by the rotation of the spindle.

According to a sixth aspect of the present invention, there is provided a machine tool comprising a machine tool body provided with a spindle, a driving means for driving the spindle, and at least one control axis for changing a relative position between the spindle and a workpiece; a control apparatus for controlling the driving means and the control axis in accordance with a machining program; and a tool attachable to the spindle and provided with a machining tool for machining a workpiece, an electric motor for driving the machining tool, and a generator for generating electric power to drive the electric motor by the rotation of the spindle.

According to a seventh aspect of the present invention, there is provided a method of driving a tool attachable to a spindle of a machine tool, the tool being provided with a machining tool for machining a workpiece, an electric motor for driving the machining tool, and a generator for generating electric power to drive the electric motor by the rotation of the spindle, comprising the steps of generating alternating current having a frequency in accordance with the rotational speed of the spindle; driving the electric motor by the generated alternating current; and controlling the rotational speed of the machining tool in accordance with the frequency of the alternating current.

According to an eighth aspect of the present invention, there is provided a tool management system comprising a tool attachable to a spindle of a machine tool, the tool comprising a machining tool for machining a workpiece, an electric

motor for driving the machining tool, a generator for generating electric power to drive the electric motor by the rotation of the spindle, a processing circuit for processing data related to machining of the workpiece by the machining tool; a transmitting and receiving circuit for performing at least one of transmission and reception of a wireless signal indicating information related to machining of a workpiece by the machining tool; and a management apparatus for performing at least one of reception of data from the transmitting and receiving circuit and transmission of data to the receiving circuit and managing the data.

BRIEF DESCRIPTION OF THE DRAWINGS

These and other objects and features of the present invention will be more apparent from the following description of the preferred embodiments given in relation to the accompanying drawings, wherein:

FIG. 1 is a view of the configuration of a machining center as an example of a machine tool according to the present invention;

FIG. 2 is a sectional view of a tool according to the first embodiment of the present invention;

FIG. 3 is a view of the connection state of a motor and generator;

FIG. 4 is a view of the configuration of an electrical system of a tool according to a second embodiment of the present invention;

FIG. 5 is a view of the configuration of an electrical system of a tool according to a third embodiment of the present invention;

FIG. 6 is a view of the configuration of an electrical system of a tool according to a fourth embodiment of the present invention;

FIG. 7 is a view of the configuration of an electrical system of a tool according to a fifth embodiment of the present invention;

FIG. 8 is a sectional view of a tool according to a sixth embodiment of the present invention;

FIG. 9 is a view of the configuration of an electrical system of a tool and the configuration of a tool management system using the same according to the sixth embodiment of the present invention;

FIG. 10 is a view of the configuration of a machine tool to which the tool management system is applied; and

FIG. 11 is a view of the configuration of an electrical system of a tool and the configuration of a tool management system using the same according to a seventh embodiment of the present invention.

DESCRIPTION OF THE PREFERRED EMBODIMENTS

Below, an explanation will be made of embodiments of the present invention by referring to the drawings.

First Embodiment

FIG. 1 is a view of the configuration of a machining center as an example of a machine tool according to the present invention. Note that the machining center is a numerical control machine tool capable of so-called combined machining.

In FIG. 1, the machining center 1 is provided with a cross rail 37 having two ends movably supported by shafts of a double housing type column 38. A ram 45 is provided movably in a vertical direction (Z-axis direction) via a saddle 44 supported movably on this cross rail 37.

The saddle 44 is provided with a not illustrated nut part passing through the cross rail 37 in a horizontal direction. A feed shaft 41 with a screw part formed on the outer circumference is screwed into this nut part.

A servo motor 19 is connected with an end of the feed shaft 41. The feed shaft 41 is driven to rotate by the servo motor 19.

By the rotation of the feed shaft 41, the saddle 44 moves in the Y-axis direction. By this, the ram 45 is moved and positioned in the Y-axis direction.

Further, the saddle 44 is provided with a not illustrated nut part in the vertical direction. The feed shaft 42 with a screw part formed on the outer circumference is screwed into this nut part. A servo motor 20 is connected with an end of the shaft 42.

The servo motor 20 drives the feed shaft 42 to rotate. By this, the ram 45 movably provided on the saddle 44 is moved and positioned in the Z-axis direction.

The ram 45 has built into it a spindle motor 31. This spindle motor 31 rotates a spindle 46 rotatably supported by the ram 45. A tool T such as an end mill is attached at the front end of the spindle 46. The tool is driven by the rotation of the spindle 46.

Below the ram 45, a table 35 is provided movably in the X-axis direction. The table 35 is provided with a not illustrated nut part. A not illustrated nut feed shaft provided along the X-axis direction is screwed into this nut part. This not illustrated feed shaft is connected to the servo motor 20.

The table 35 is moved and positioned in the X-axis direction by the rotation and driving of the servo motor 18.

Further, the double housing column 38 is provided with a not illustrated nut part. The cross rail 37 is raised and lowered by the rotation of the feed shaft 32a screwed into it by a cross rail elevation motor 32.

An automatic tool changer (ATC) 39 automatically changes the tool T attached to the spindle 46.

That is, the automatic tool changer 39 holds various tools in its not illustrated magazine, returns the tool T attached to the spindle by a not illustrated tool changing arm into the magazine, and attaches a required tool held by the magazine to the spindle by the tool changing arm.

A numerical control apparatus 51 drives and controls the above servo motors 18, 19, and 20, the cross rail elevation motor 32, and the spindle motor 31.

Specifically, the numerical control apparatus 51 controls the positions and the speeds between a workpiece and the tool T by the servo motor 18, 19, and 20 according to a machining process defined in advance in a machining program. Further, the numerical control apparatus 51 controls the rotational speed of the spindle 46 by decoding the rotational speed of the spindle 46 defined by an S-code in the machining program.

Still further, the numerical control apparatus 51 automatically changes various tools by decoding the tool changing operation of the tool T defined by for example an M-code in the machining program.

FIG. 2 is a sectional view of a tool according to the first embodiment of the present invention.

In FIG. 2, a tool 60 is comprised of a cutting tool 100 and a tool holder 61. Note that the cutting tool 100 is an embodiment of a machining tool according to the present invention.

The tool holder 61 has an attachment part 62, a casing 65 comprised of casing parts 66, 67, and 68, a generator 70, an electric motor 80, a tool holding part 90, and a locking part 85.

The attachment part 62 is provided with a grip part 62a, a taper shank 62b to be attached to a taper sleeve 46a formed at the front end of the above spindle 46, a pull stud 62c formed at the front end of this taper shank 62b, and a shaft portion 62d rotatably held by the casing part 66.

5

The grip part 62a of the attachment part 62 is gripped by the above tool changing arm of the automatic tool changer 39 when the tool 60 is being attached to the spindle 46 from the magazine of the automatic tool changer 39 and when the tool 60 is being conveyed from the spindle to the magazine of the automatic tool changer 39.

The center of the taper shank 62b of the attachment part 62 becomes concentric with the center of the spindle 46 by being attached to the taper sleeve 46a of the spindle 46.

The pull stud 62c of the attachment part 62 is clamped by a collet of a not illustrated clamping mechanism built in the spindle 46 when the attachment part 62 is attached to the taper sleeve 46a of the spindle 46. Note that the clamping mechanism built in the spindle 46 is well known, so a detailed explanation of it will be omitted.

The shaft portion 62d of the attachment part 62 is supported rotatably held by the inner circumference of the casing part 66 via a plurality of bearings 72.

The shaft portion 62d of the attachment part 62 is connected with the input shaft 71 of the generator 70. As this generator 70, for example, a three-phase synchronous generator can be used.

The electric power generated by the generator 70 is supplied to the electric motor 80. As this electric motor 80, for example, a three-phase induction motor can be used.

For example, in a case where a three-phase synchronous generator is used as the generator 70 and a three-phase induction motor is used as the electric motor 80, as shown in FIG. 3, the generator 70 and the electric motor 80 are connected by three power cables Wx, WY, and Wz. The electric motor 80 receives a supply of three-phase alternating current generated by the generator 70 through the three power cables.

The tool holding part 90 has a rotatable shaft 91, a coupling 93 for connecting this rotatable shaft 91 and the output shaft 81 of the electric motor 80, and a tool attachment part 95.

The rotatable shaft 91 is rotatably held by the inner circumference of the casing part 68 via a plurality of rolling bearings 72.

The front end side of the rotatable shaft 91 is prevented from detaching from the casing part 68 by a stopper 94.

The cutting tool 100 is held by the tool attachment part 95. This cutting tool 100 machines a workpiece.

Specifically, as the cutting tool 100, a cutting tool such as a drill or an end mill may be used.

The casing parts 66, 67, and 68 are connected each other by clamping means such as bolts. The casing 65 is constructed by these casing parts 66, 67, and 68.

A locking part 85 is mounted on the outer circumference of the casing part 66.

When the attachment part 62 is attached to the taper sleeve 46a of the spindle 46, the front end of the locking part 85 is inserted to an engagement hole 47a formed at a non-rotating part such as the ram 45 on the side of the spindle 46.

Due to this, even if the spindle 46 is rotated, rotation of the casing 65 is prevented.

Next, an explanation will be made of an example of the operation of the above configured tool 60.

First, the automatic tool changer 39 attaches the tool holder 61 holding the cutting tool 100 at the tool attachment holder 95 to the spindle 46 of the machining center 1. The front end 85a of the locking part 85 is inserted into the engagement hole 47a of the non-rotating part 47 whereby the rotation of the casing 65 is prevented.

By rotating the spindle at the rotational speed of N_0 from this state, the attachment part 62 of the tool holder 61 is rotated, and the rotation of the spindle 46 is transmitted to the generator 70. By this, the generator 70 generates electric

6

power. In the case of a three-phase synchronous generator as the generator 70, the generator 70 generates three-phase alternating current.

The frequency F of the three-phase alternating current generated by the generator 70, as the pole number of the generator 70 is p_1 and the rotational speed of the spindle 46 is N_0 [rpm], is expressed by the following formula (1).

$$F = p_1 * N_0 / 120 \text{ [Hz]} \quad (1)$$

Accordingly, when the spindle 46 is rotated at the rotational speed N_0 , a three-phase alternating current having the frequency F expressed the above formula (1) is supplied to the electric motor 80.

Here, in case where a three-phase induction motor is used as the electric motor 80, as the pole number of the electric motor 80 is p_2 , the electric motor 80 is rotated by $2/p_2$ per cycle of the three-phase alternating current.

Therefore, the synchronous rotational speed of the electric motor 80 is expressed by the following formula (2).

$$N_1 = 120 * F / p_2 \quad (2)$$

Accordingly, the relationship of the rotational speed N_1 of the cutting tool 100 to the rotational speed N_0 of the spindle 46 is expressed by the following formula (3).

$$N_1 = N_0 * p_1 / p_2 \text{ [rpm]} \quad (3)$$

As understood from formula (3), the rotational speed N_0 of the spindle 46 is changed to the rotational speed N_1 expressed by the above formula (3).

As expressed by the formula (3), it is found that by appropriately setting the ratio between the pole number p_1 of the generator 70 and the pole number p_2 of the electric motor 80, it is possible to freely set the ratio of the rotational speed of the cutting tool 100 to the rotational speed of the spindle 46.

That is, in the case where it is intended to raise the rotational speed of the cutting tool 100 higher than that of the spindle 46, the ratio of the pole number p_1/p_2 is set larger than 1. When it is intended to reduce the rotational speed of the cutting tool 100 to lower than that of the spindle 46, the ratio of the pole number p_1/p_2 is set smaller than 1.

Next, an explanation of the driving method of the above configured tool will be made.

When machining a workpiece comprised of a difficult-to-cut material such as aluminum alloy, sometimes the rotational speed of the cutting tool 100 is raised higher than the maximum rotational speed of the spindle 46.

In such a case, the tool 60 is held in advance in the magazine of the automatic tool changer 39 of the machining center 1.

For example, when the maximum rotational speed N_{max} of the spindle 46 of the above machining center 1 is 3000 rpm and the rotational speed of the cutting tool 100 is raised to 30,000 rpm, the generator 70 and the electric motor 80 having a ratio of the pole number p_1/p_2 of 10 are used.

The automatic tool changer 39 attaches the tool 60 automatically to the spindle 46 in the same way as an ordinary tool. Note that an ordinary tool is a tool having a cutting tool clamped by a tool holder.

The rotational speed of the cutting tool 100 held by the tool holder 61 is controlled by the rotational speed of the spindle 46. Specifically, in the machining program downloaded in the numerical control apparatus 51, the rotational speed of the spindle 46 is designated in advance by an S-code in accordance with the rotational speed of the cutting tool 100 held by the tool holder 61. For example, when rotating the cutting tool 100 at the rotational speed of 30,000 rpm, the rotational speed of the spindle 46 is designated as 3000 rpm by the S-code in the machining program.

When the spindle **46** is rotated at the rotational speed of 3000 rpm, the generator **70** generates a three-phase alternating current having a frequency in accordance with the rotational speed of the spindle **46** and the pole number of the generator **70** and electric motor **80**.

The electric motor **80** is driven by the three-phase alternating current supplied from the generator **70**, while the cutting tool **100** held by the tool holder **61** is rotated at the rotational speed of about 30,000 rpm.

In the above state where the rotational speed of the cutting tool **100** is increased, by moving the workpiece fixed on the table **35** relative to the cutting tool **100** (spindle **46**) in accordance with the machining program, the workpiece is cut.

By this, it becomes possible to appropriately cut a workpiece comprised of a difficult-to-cut material such as aluminum alloy.

In this way, according to the present embodiment, the rotational speed of the cutting tool **100** is raised by driving the motor **80** by the electric power generated by the generator **70**. Due to this, even if the spindle **46** is rotated at a high rotational speed, heat is not increasingly generated such as in a gear apparatus, so a reduction of the machining tolerance due to the heat can be avoided.

Further, in this embodiment, the rotational speed of the cutting tool **100** is changed by using the generator **70** and electric motor **80**. Therefore, it is possible to decrease the cost and noise of the tool **60** compared with the case using a transmission mechanism such as a gear apparatus.

Further, according to this embodiment, the tool **60** can be attached to the spindle **46** and changed by the automatic tool changer **39** in the same way as an ordinary tool. Due to this, it is possible to immediately respond to a need for high speed rotation of the cutting tool **100**.

Further, according to this embodiment, the cutting tool **100** is driven by the electric power generated by the rotation of the spindle **46**. For this reason, it is not necessary to supply electric power from outside of the tool, so a cable for supplying electric power is not necessary between the spindle **46** and the tool **60**.

Further, in this embodiment, a three-phase synchronous generator is used as the generator **70** and a three-phase induction motor is used as the electric motor **80**. Due to this, it becomes possible to easily control the rotational speed of the cutting tool **100** by the rotational speed of the spindle **46**. That is, since the three-phase synchronous generator generates voltage having a frequency precisely proportional to the rotational speed of the spindle **46** and since the three-phase induction motor drives the cutting tool **100** at a rotational speed proportional to this frequency, the rotational speed of the cutting tool **100** can be easily and precisely controlled by the rotational speed of the spindle **46** and the pole number ratio between the three-phase synchronous generator and the three-phase induction motor.

Further, no position detecting element for detecting the rotational position of a rotor is needed for the electric motor **80**. Due to this, no cable is needed between the numerical control apparatus **51** and the tool holder **51**, so complete separation of the tool **60** from the spindle **46** becomes possible.

Note that in the above embodiment, the explanation was made of the case of application to high speed machining of an aluminum alloy, but the present invention can be applied to any machining requiring acceleration of the rotational speed of the spindle **46**. For example, the present invention can be applied to machining of various super difficult-to-cut materials such as cemented carbide, silicate glass, and ceramics.

Further, in the above embodiment, the explanation was made of the case of increasing the rotational speed of the cutting tool **100** from the rotational speed of the spindle **46**, but decreasing the rotational speed of the cutting tool **100** from the rotational speed of the spindle **46** is also possible.

Further, in the above embodiment, the explanation was made of the case of use of a three-phase synchronous generator as the generator **70** and use of a three-phase induction motor as the electric motor **80**, but it is also possible to employ a configuration changing the rotational speed of the spindle **46** by a combination of a direct current generator and a direct current motor. The rotational speed of the direct current motor is determined by voltage supplied from the direct current generator and the load. For this reason, it is difficult to directly control the rotational speed of the cutting tool **100** by the rotational speed of the spindle **46**.

By measuring the output characteristic and the load characteristic of the direct current generator and the direct current motor in advance, it becomes possible to change the rotational speed of the spindle **46** at a constant speed ratio by the combination of the direct current generator and the direct current motor.

Further, it is possible to use another kind of generator and motor.

Second Embodiment

FIG. **4** is a view of the configuration of the electrical system of a tool according to a second embodiment of the present invention. Note that the mechanical structure of the tool according to the present embodiment is the same as the above mentioned embodiment.

As shown in FIG. **4**, the tool according to the present embodiment is provided with an alternating current generator as the generator **70**, a direct current motor as the electric motor **80**, and a rectifier circuit **201**.

The rectifier circuit **201** rectifies alternating current generated by the generator **70** and supplies it to the electric motor **80**. This rectifier circuit **201** is built in, for example, the above casing **65**.

The amount of the direct current supplied from the rectifier circuit **201** is defined by the rotational speed of the spindle **46**. On the other hand, the rotational speed of the direct current motor can be controlled in accordance with the amount of the supplied current. Accordingly, by controlling the rotational speed of the spindle **46**, control of the speed of the electric motor **80** becomes possible.

In this way, according to the present invention, even if an alternating current generator is used as the generator **70** and a direct current motor is used as the electric motor **80**, by providing the rectifier circuit **201** at the tool, it is possible to change the rotational speed of the cutting tool **100** from the rotational speed of the spindle **46**.

Note that in the above embodiment, a configuration where the rectifier circuit **201** was built in the casing **65** was employed, but it is also possible to employ a configuration where the rectifier circuit **201** is housed in a box or the like and this is attached to the outside of the casing **65**.

Further, it is also possible to employ a configuration where a cavity is formed at the casing **65** and the cavity houses the rectifier circuit **201**.

Third Embodiment

FIG. **5** is a view of the configuration of the electrical system of a tool according to a third embodiment of the present invention. Note that the mechanical structure of the tool according to the present embodiment is the same as the above mentioned first embodiment.

In the above first and second embodiments, the rotational speed of the cutting tool **100** of the tool **60** is controlled by the rotational speed of the spindle **60**, namely, the input rotational speed of the generator **70**.

In the present embodiment, an explanation will be made of a configuration enabling control of the rotational speed of the cutting tool **100** regardless of the input rotational speed of the generator **70**.

As shown in FIG. **5**, the tool according to the present embodiment is provided with a generator **70** comprised of an alternating current generator, an electric motor **80**, a rectifier circuit **302**, an inverter **303**, and a control circuit **304**.

The rectifier circuit **302**, the inverter **303**, and the control circuit **304** are incorporated in the above casing **65**. Note that it is possible to employ a configuration where at least some of these rectifier circuit **302**, inverter **303**, and control circuit **304** are housed in a box mounted on the outside of the casing **65**.

Further, it is also possible to employ a configuration where a cavity is formed on the casing **65** and the cavity houses these rectifier circuit **302**, inverter **303**, and control circuit **304**.

Further, the rectifier circuit **302** supplies part of the rectified direct current to the control circuit **304**.

The inverter **303** changes the direct current supplied from the rectifier circuit **302** into alternating current for driving the electric motor **80**. For example, the inverter **303** is configured by a pulse width modulation (PWM) inverter.

The control circuit **304** is provided with a microprocessor **305**, a read only memory (ROM) **306**, a random access memory (RAM) **307**, a counter circuit **308**, an analog-to-digital (A/D) converter **310**, and a digital-to-analog (D/A) converter **309**.

The ROM **306** stores a control program for controlling the electric motor **80**. The control program performs for example variable speed control of the electric motor **80** by field-oriented control.

The RAM **307** stores data for operations of the microprocessor **305**.

The microprocessor **305** executes the control program stored in the ROM **306**, performs various operations, and outputs control signals **304s** to the inverter **300** via the D/A converter **309**. The control signals **304s** are for example PWM control signals.

The A/D converter **310** converts the value of the current supplied from the inverter **303** to the electric motor **80** detected by a current detector **312** into a digital signal.

The electric motor **80** is provided with a rotational position detector **311**. As this rotational position detector **311**, for example, an optical rotary encoder or a resolver may be used.

The counter circuit **308** counts pulse signals detected by the rotational position detector **311** in accordance with the rotation of the electric motor **80** and outputs the count to the microprocessor **305**.

The above configured control circuit **304** can operate by receiving electric power generated by the generator **70** by the rotation of the spindle **46**.

The control circuit **304** receives the rotation and the drive current of the electric motor **80** as input. Due to this, by preparing a desired control program in the ROM **306** of the control circuit **304** in advance, various control of the electric motor **80** becomes possible.

For example, when a synchronous motor is used as the electric motor **80** and it is intended to variably control the speed of this synchronous motor, velocity reference data is set in advance in the ROM **306**. By this, speed control of the electric motor **80** becomes possible in accordance with this velocity reference data.

Accordingly, according to the present embodiment, control of the rotational position, the rotational speed, and the torque of the cutting tool **100** becomes possible regardless of the rotational speed of the spindle **46**. That is, in the present embodiment, it becomes possible to drive and control the cutting tool **100** separately at the tool side.

Fourth Embodiment

FIG. **6** is a view of the configuration of the electrical system of a tool according to a fourth embodiment of the present invention. Note that the mechanical structure of the tool according to the present embodiment is the same as the above mentioned first embodiment.

The point of difference between the configuration of the present embodiment and the configuration explained in the third embodiment is that the generator **70** is provided with a rotational position detector **402** and the signal detected by this rotational position detector **402** is input to the microprocessor **305** via a counter circuit **403**. The rest of the configuration of the present embodiment is exactly the same as that of the third embodiment.

The rotational position detector **402** is mounted to the input shaft **71** of the generator **70** and detects the rotation of the input shaft **71**. As the rotational position detector **402**, for example, an optical rotary encoder or a resolver may be used.

By detecting the amount of rotation of the input shaft **71** by the rotational position detector **402**, the rotation of the spindle **46** is input to the control circuit **304**.

In the control circuit **304**, by calculating the difference per unit time of the rotation received from the counter circuit **403**, it becomes possible to determine the rotational speed of the spindle **46**.

Accordingly, by preparing in advance a program for generating velocity references having a constant speed ratio to the rotational speed of the spindle **46** in the ROM **306**, it becomes possible to accurately control the rotational speed of the electric motor **80** with respect to that of the spindle **46**. That is, by employing the configuration of the present embodiment, it becomes possible to accurately control the rotational speed of the spindle **46** in the same way as a gear apparatus.

Further, in the control circuit **304**, both of the rotational position of the spindle **46** and the rotational position of the electric motor **80** can be obtained, so it becomes possible to make the rotational position of the spindle **46** and the rotational position of the electric motor **80** exactly match.

Fifth Embodiment

FIG. **7** is a view of a configuration of the electrical system of a tool according to a fifth embodiment of the present invention.

Note that the mechanical structure of the tool according to the present embodiment is the same as the above mentioned first embodiment.

The point of difference between the configuration of the present embodiment shown in FIG. **7** and the configuration explained in the third embodiment is that a data input unit **501** is added to the control circuit **304**. The rest of the configuration of the present embodiment is exactly the same as that of the third embodiment.

The data input unit **501** inputs various types of data for controlling the electric motor **80** from the outside to the control circuit **304**.

Specifically, the data input unit **501** can be configured by switches mounted on the casing **65** which are operable from outside the casing **65**.

The data input unit **501** can be also configured by a receiving apparatus mounted on the outside of the casing **65** for

11

receiving wireless signals. According to this configuration, it becomes possible to input data in real time while machining by the tool.

The data input from the data input unit **501** includes for example various types of data such as velocity references to the electric motor **80** or control parameters.

In the present embodiment, by employing the above configuration, it is possible to freely change the content of the control of the electric motor **80**. For example, when machining conditions are changed, it becomes possible to easily change the rotational speed of the electric motor **80**.

Sixth Embodiment

FIG. **8** is a sectional view of a tool according to a sixth embodiment of the present invention. Note that in FIG. **8**, parts corresponding to those in the tool **60** according to the first embodiment are assigned the same reference numerals.

The tool **160** shown in FIG. **8** is configured from the cutting tool **100** and a tool holder **161**.

The tool holder **161** is provided with a secondary battery **110**, a processing board **300**, and an antenna **141** in addition to the attachment part **62**, the casing **65**, the generator **70**, the electric motor **80**, the tool holding part **90**, and the locking part **85**.

The secondary battery **110** is fixed inside of the casing part **67**. This secondary battery **110** stores part of the electric power generated by the generator **70**. As the secondary battery **110**, for example, a nickel-cadmium battery may be used. Besides this, a nickel-hydrogen battery, a lithium battery, or a small-sized lead storage battery can be also used.

The antenna **141** is fixed on the outside surface of the casing part **65**.

The processing board **300** is fixed inside of the casing **65**. This processing board **300** is electrically connected with the secondary battery **110** and antenna **141**.

FIG. **9** is a view of the configuration of the electrical system of the tool and the configuration of the tool management system according to the sixth embodiment of the present invention.

In FIG. **9**, the tool **160** is provided with a charging circuit **120**, a processing circuit **150**, and a transmitting and receiving circuit **140** in addition to the above generator **70**, the electric motor **80**, the secondary battery **110**, and the antenna **141**.

Further, the tool management system according to the present embodiment is comprised of the tool **160** and a management apparatus **400**.

The charging circuit **120**, the processing circuit **150**, and the transmitting and receiving circuit **140** are formed on the above processing board **300**. The charging circuit **120** charges the secondary battery **110** with a part of the electric power generated by the generator **70**. This charging circuit **120** is comprised of a rectifier circuit for rectifying the alternating voltage generated by the generator **70**, a smoothing circuit for smoothing the ripple included in the output voltage of this rectifier circuit and converting it into appropriate voltage, etc.

The secondary battery **110** supplies the electric power charged by the charging circuit **120** to the power receiving part **170** having the processing circuit **150** and the transmitting circuit **150**.

The processing circuit **150** operates by receiving the electric power supplied from the secondary battery **110** and processes information related to the machining of a workpiece by the cutting tool **100**.

Here, the information related to the machining of a workpiece by the cutting tool **100** includes, for example, tool information of a predetermined format for identifying the tool **160**, monitor information concerning the rotational state of the generator **70** or the electric motor **80** during machining,

12

etc. Further, the information related to the machining of a workpiece by the cutting tool **100** also includes information about the detected rotational position and the detected rotational speed of the electric motor **80**.

The tool information includes for example information about the type of the cutting tool **100** such as drill or end mill, size of the cutting tool **100** such as diameter or length, etc.

The monitor information includes information about disconnection or short-circuits of cables in the generator **70** or the electric motor **80**, overload of the electric motor **80**, etc.

The processing circuit **150** first generates the above tool information of the predetermined format. Further, the processing circuit **150** detects the generated current **70s** of the generator **70** or drive current **80s** of the electric motor **80**, monitors for an irregular state of the generator **70** or the electric motor **80** based on the detected information, adds this monitor information to the tool information, and transmits this tool information to the transmitting and receiving circuit **140**.

The transmitting and receiving circuit **140** transmits the data from the processing circuit **150** to the management apparatus **400** as a wireless signal by the antenna **141**.

The charging circuit **120**, the processing circuit **150**, and the transmitting and receiving circuit **140** can be incorporated in the casing **65**. Note that it is also possible to house the processing circuit **150** and the transmitting and receiving circuit **140** in a box and mount the box to the outside of the casing **65**. Further, it is also possible to employ a configuration where a cavity is formed on the casing **65** and the charging circuit **120** and the processing circuit **150** and the transmitting and receiving circuit **140** are housed in the cavity.

The management apparatus **400** is provided with an antenna **401** which receives data from the antenna **141**. This management apparatus **400** is provided with a utility program for monitoring and managing the tool **160** based on the data from the antenna **141**. Note that the management apparatus **400** is configured by for example a personal computer.

Further, as shown in FIG. **10**, the management apparatus **400** is connected to the numerical control apparatus **51**. In a case of an irregular state such as a fault in the tool **160**, the management apparatus **400** transmits this irregular state information to the numerical control apparatus **51**.

Next, an explanation, will be given of an example of the operation of the above configured tool **160**.

The automatic tool changer **39** attaches the tool holder **161** holding the cutting tool **100** to the spindle **46** of the machining center **1**. The front end **85a** of the locking part **85** is inserted into the engagement hole **47a** of the non-rotating part **47**, whereby rotation of the casing **65** is prevented.

When the spindle **46** is rotated at predetermined rotational speed from this state, the attachment part **62** of the tool holder **161** is rotated, so the rotation of the spindle **46** is transmitted to the generator **70**.

For example, in case where a three-phase synchronous is used as the generator **70**, three-phase alternating current is generated.

A part of this three-phase alternating current is charged into the secondary battery **110** by the charging circuit **120**.

The processing circuit **150** and the transmitting and receiving circuit **140** become operable by the charge of the secondary battery **110**.

When the processing circuit **150** becomes operable, the processing circuit **150** generates the tool information of a predetermined format and transmits this tool information to the transmitting and receiving circuit **140**.

The transmitting and receiving circuit **140** transmits the tool information of a predetermined format to the management apparatus **400**.

When an irregular state of the generator **70** or the electrical motor **80** occurs while machining a workpiece by the cutting tool **100**, irregular state information is transmitted to the management apparatus **400** in addition to the tool information.

Further, if the secondary battery is charged, even after the rotation of the spindle **46** stops, the processing circuit **150** and the transmitting and receiving circuit **140** can transmit various types of data such as tool information or irregular state information to the management apparatus **400**.

For example, when the management apparatus **400** has obtained the irregular state information from the transmitting and receiving circuit **140**, the management apparatus **400** transmits this irregular state information to the numerical control apparatus **51**. When receiving the irregular state information, the numerical control apparatus **51** controls the automatic tool changer **39** so as to detach the tool **160** from the spindle **46**.

According to the present embodiment, the tool **160** is provided with the secondary battery **110** and can use the electric power stored in this secondary battery **110** in the power receiving part **170** other than the electric motor **80**. Due to this, it is possible to operate various circuits incorporated in or added to the tool **160** regardless of the rotation of the spindle **46**, and it is possible to transmit and receive data even during stoppage of the spindle **46**.

Further, according to the present embodiment, by the management apparatus **400** collecting information from the tool **160**, comprehensive management of the tool **160** becomes possible.

Seventh Embodiment

FIG. **11** is a view of the configuration of the electrical system of a tool and the configuration of a tool management system according to a seventh embodiment of the present invention.

Note that the mechanical structure of the tool according to the present embodiment is the same as the sixth embodiment. In FIG. **11**, the parts corresponding to those in the tool **160** according to the sixth embodiment use the same reference numerals.

In the above sixth embodiment, the management apparatus **400** only received the data from the tool **160**, but in the present embodiment, an explanation will be made of a configuration enabling transmission and reception of data between the management apparatus **400** and the tool **260**.

As shown in FIG. **11**, the tool **260** according to the present embodiment is provided with a rectifier circuit **200**, an inverter **210**, and a power receiving part **270** in addition to the generator **70** comprised of an alternating current generator, the electric motor **80** comprised of an induction motor, the secondary battery **110**, and the charging circuit **120**.

Further, the rectifier circuit **200**, the inverter **210**, and the power receiving part **270** are housed in the casing **65**. Note that it is possible to employ a configuration where at least some or these rectifier circuit **200**, inverter **210**, and power receiving part **270** are housed in a box mounted on the outside of the casing **65**.

Further, it is also possible to employ a configuration where a cavity is formed in the casing **65**, and the rectifier circuit **200**, the inverter **210**, and the power receiving part **270** are housed in the cavity.

The rectifier circuit **200** rectifies alternating current generated by the generator **70** and supplies it to the inverter **210**.

The inverter **210** changes the supplied direct current from the rectifier circuit **200** to alternating current for driving the electric motor **80**. For example, the inverter **210** is comprised of a PWM inverter.

The charging circuit **120** charges the secondary battery **110** with part of the electric power generated by the generator **70**. This charging circuit **120** is comprised of a rectifier circuit for rectifying the alternating voltage generated by the generator **70**, a smoothing circuit for smoothing the ripple included in the output of this rectifier circuit and converting it into appropriate voltage, etc.

The secondary battery **110** supplies the electric power charged by the charging circuit **120** to the electric power receiving part **270**.

The electric power receiving part **270** is comprised of a processing circuit part **504** and the transmitting and receiving circuit **240** and is operated by electric power supplied from the secondary battery **110**.

The transmitting and receiving circuit **240** transmits the data related to machining of a workpiece by the cutting tool **100** to the management apparatus **400** and receives data related to machining of a workpiece by the cutting tool **100** from the management apparatus **400** via an antenna **241**.

The processing circuit part **504** processes the information related to machining of a workpiece by the cutting tool **100**. This processing circuit part **504** is provided with a microprocessor **505**, a read only memory (ROM) **506**, a random access memory (RAM) **507**, a counter circuit **508**, an analog-to-digital(A/D) converter **510**, and a digital-to-analog converter **509**.

The ROM **506** stores a control program for controlling the electric motor **80**. The control program performs for example variable speed control of the electric motor **80** by field-oriented control. Further, the ROM **506** stores a program for generating tool information of a predetermined format or monitoring an irregular state of the tool, a program for transmitting various types of data to the transmitting and receiving circuit **240** and receiving various types of data from the transmitting and receiving circuit **240**, etc.

The RAM **507** stores data for operations of the microprocessor **505**, data transmitted from the transmitting and receiving circuit **240**, etc.

The microprocessor **505** executes the control program stored in the ROM **506**. Specifically, the microprocessor **505** performs various operations, outputs control signals **504s** to the inverter **210** via the D/A converter **509**, transmits data to the transmitting and receiving circuit **240**, and receives data from the transmitting and receiving circuit **240**. The control signals **504s** are for example PWM control signals.

The A/D converter **510** converts values detected by a current detector **312** of the current supplied from the inverter **210** to the electric motor **80** into a digital signal.

The electric motor **80** is provided with a rotational position detector **311**. As this rotational position detector **311**, for example, an optical rotary encoder or a resolver may be used.

The counter circuit **508** counts pulse signals detected by the rotational position detector **311** in accordance with the rotation of the electric motor **80** and transmits the count as output to the microprocessor **305**.

When the tool **260** is attached to the spindle **46** and the spindle **46** is rotated, the secondary battery **110** is charged by the charging circuit **120**. By this, the power receiving part **270** becomes operable by the electric power supplied from the secondary battery **110**.

The rotation and the drive current of the electric motor **80** are fed back to the processing circuit part **504**, so by preparing

15

in advance a desired program in the ROM 506 of the processing circuit part 504, various control of the electric motor 80 becomes possible.

Further, it is also possible to transmit this control program to the tool 260 from the management apparatus 400, receive this by the transmitting and receiving circuit 240, and store it in the RAM 507.

The microprocessor 505 generates tool information of a predetermined format and transmits the information to the management apparatus 400 through the transmitting and receiving circuit 240. The management apparatus 400 manages this tool information.

Further, the information of the rotational position and the drive current of the electric motor 80 are fed back to the microprocessor 505, so it is also possible to transmit sequentially this feedback information to the management apparatus 400 together with the above tool information.

The management apparatus 400 can monitor data such as the rotational speed and the torque of the cutting tool 100. Due to this, it becomes possible to detect an irregular state such as breakage of the cutting tool 100 in real time based on the monitored various data. Further, it also becomes possible to easily manage the time used for machining.

Further, the microprocessor 505 of the processing circuit part 504 monitors the state of the generator 70 and the electric motor 80. When an irregular state occurs, it transmits this irregular state information to the management apparatus 400. When obtaining the irregular state information, the management apparatus 400 transmits this irregular state information to the numerical control apparatus 51. When the irregular state information is transmitted, the numerical control apparatus 51 controls the automatic tool changer 39 so as to detach the tool 260 from the spindle 46.

As described above, according to the present embodiment, by providing a program for controlling the tool 260 in the processing circuit part 504, it becomes possible to control the tool 260 separately from the spindle 46.

Further, by transmitting a program from the management apparatus 400 to the tool 260 and transmitting not only the simple tool information but various state information while machining to the management apparatus 400, it becomes possible to precisely manage the tool 260.

While the invention has been described by the reference to specific embodiments chosen for purpose of illustration, it should be apparent that numerous modification could be made thereto by those skilled in the art without departing from the basic concept and scope of the invention.

For example, in the above embodiments, the explanation was given with reference to a cutting tool 100 as a machining tool, but the present invention can also be applied to other machining tools such as a grinding wheel, a polishing tool, or the like.

What is claimed is:

1. A machine tool comprising:

a machine tool body provided with a spindle, a driving means for driving said spindle, and at least one control axis for changing a relative position between said spindle and a workpiece;

a control apparatus for controlling said driving means and said control axis in accordance with a machining program;

a tool attachable to said spindle and provided with a machining tool for machining a workpiece, an induction motor for driving said machining tool, and an alternating current generator for generating electric power to drive said induction motor by the rotation of said spindle at a frequency in accordance with the rotational speed of

16

said spindle, said induction motor rotating at a rotational speed in accordance with said frequency.

2. A tool attachable to a spindle of a machine tool comprising:

a machining tool for machining a workpiece; an electric motor for driving said machining tool; and a generator for generating electric power to drive said electric motor by the rotation of said spindle; wherein said generator and said electric motor change the rotational speed of said machining tool from the rotational speed of said spindle by a predetermined ratio determined based on a pole number of said generator and said electric motor.

3. A tool attachable to a spindle of a machine tool comprising:

a machining tool for machining a workpiece; an induction motor for driving said machining tool; and an alternating current generator for generating electric power to drive said induction motor by the rotation of said spindle at a frequency in accordance with the rotational speed of said spindle, said induction motor rotating at a rotational speed in accordance with said frequency.

4. A tool as set forth in claim 3, wherein said generator is a three-phase synchronous generator; and said inductor motor is a three-phase induction motor.

5. A tool as set forth in claim 2, further comprising: a tool attachment part attachable to said spindle for transmitting the rotation of said spindle to said generator; a tool holding part for rotatably holding said machining tool; a casing for holding said electric motor, said generator, said tool attachment part, and said tool holding part; and a locking part for preventing rotation of said casing by engagement with a non-rotating part of said machine tool.

6. A tool attachable to a spindle of a machine tool comprising:

a machining tool for machining a workpiece; an electric motor for driving said machining tool; a generator for generating electric power to drive said electric motor by the rotation of said spindle; control means for controlling a supply of electric power generated by said generator to drive and control said machining tool; and

rotation detecting means for detecting a rotational position and/or rotational speed of said electric motor; wherein: said control means controls said electric motor based on the detected rotational position and/or the detected rotational speed.

7. A tool as set forth in claim 6, wherein said control means comprises:

a memory for storing a program for driving and controlling said machining tool;

a processor for performing said program; and a driving circuit for supplying the electric power from said generator to said electric motor in response to a control signal from said processor.

8. A tool attachable to a spindle of a machine tool comprising:

a machining tool for machining a workpiece; an electric motor for driving said machining tool; a generator for generating electric power to drive said electric motor by the rotation of said spindle; control means for controlling a supply of electric power generated by said generator to drive and control said machining tool;

17

rotation detecting means for detecting a rotational position and/or rotational speed of said electric motor; and rotation detecting means for detecting a rotational position and/or rotational speed of said spindle; wherein said control means controls said electric motor based on the detected rotational position and/or rotational speed of both of said spindle and said electric motor.

9. A machine tool comprising:

a machine tool body provided with a spindle, a driving means for driving said spindle, and at least one control axis for changing a relative position between said spindle and a workpiece;

a control apparatus for controlling said driving means and said control axis in accordance with a machining program; and

a tool attachable to said spindle and provided with a machining tool for machining a workpiece, an electric motor for driving said machining tool, and a generator for generating electric power to drive said electric motor by the rotation of said spindle; wherein said tool changes the rotational speed of said machining tool from the rotational speed of said spindle by a predetermined ratio determined based on pole numbers of said generator and said electric motor.

10. A tool as set forth in claim 6, further comprising:

data input means for inputting various data required for controlling said electric motor to said control means from outside.

11. A tool holder attachable to a spindle of a machine tool for rotatably holding a machining tool for machining a workpiece, said tool holder comprising:

an electric motor for driving said machining tool; and a generator for generating electric power to drive said electric motor by the rotation of said spindle; wherein said generator and said electric motor change the rotational speed of said machining tool from the rotational speed of said spindle by a predetermined ratio determined based on a pole number of said generator and said electric motor.

12. A tool holder attachable to a spindle of a machine tool for rotatably holding a machining tool for machining a workpiece, said tool holder comprising:

an induction motor for driving said machining tool; and an alternating current generator for generating electric power to drive said induction motor by the rotation of said spindle at a frequency in accordance with the rotational speed of said spindle, said induction motor rotating at a rotational speed in accordance with said frequency.

13. A machine tool comprising:

a machine tool body provided with a spindle, a driving means for driving said spindle, and at least one control axis for changing a relative position between said spindle and a workpiece;

a control apparatus for controlling said driving means and said control axis in accordance with a machining program; and

a tool attachable to said spindle and provided with a machining tool for machining a workpiece, an electric motor for driving said machining tool, and a generator for generating electric power to drive said electric motor by the rotation of said spindle; wherein said generator and said electric motor change the rotational speed of said machining tool from the rotational speed of said spindle by a predetermined ratio determined based on a pole number of said generator and said electric motor.

18

14. A tool holder as set forth in claim 11, further comprising:

a tool attachment part attachable to said spindle for transmitting the rotation of said spindle to said generator;

a tool holding part for rotatably holding said machining tool;

a casing for holding said electric motor, said generator, said tool attachment part, and said tool holding part;

a locking part for preventing rotation of said casing by engagement with a non-rotating part of said machine tool.

15. A machine tool as set forth in claim 9, further comprising an automatic tool changer for attaching said tool to said spindle and detaching said tool from said spindle.

16. A rotation speed changing apparatus comprising:

an AC generator having an input shaft connectable to a first rotatable portion and rotatable in response to a rotation of the first rotatable portion, said AC generator generating AC electric power when the input shaft is rotated;

an AC motor having an output shaft that is rotated when the AC motor receives the AC electric power generated by the AC generator; and

a case, accommodating and holding the AC generator and the AC motor, the AC generator and the AC motor being arranged in the case along a center axis and a longitudinal direction of the first rotatable portion,

wherein a rotation speed of the output shaft of the AC motor is based on a rotation speed of the input shaft of the AC generator and a ratio, between a number of poles of the AC generator and a number of poles of the AC motor;

further comprising a non-rotating portion, fixing the first rotatable portion and not being rotated by the rotation of the first rotatable portion,

wherein the case comprises a rotation locking member, inserted into a hole formed in the non-rotating portion and constraining the rotation of the case, and

wherein when the speed changing apparatus is connected to the first rotatable portion, the rotation locking member is inserted into the hole.

17. A rotation speed changing apparatus comprising:

an AC generator having an input shaft connectable to a first rotatable portion and rotatable in response to a rotation of the first rotatable portion, said AC generator generating AC electric power when the input shaft is rotated;

an AC motor having an output shaft that is rotated when the AC motor receives the AC electric power generated by the AC generator; and

a case, accommodating and holding the AC generator and the AC motor, the AC generator and the AC motor being arranged in the case along a center axis and a longitudinal direction of the first rotatable portion,

wherein a rotation speed of the output shaft of the AC motor is based on a rotation speed of the input shaft of the AC generator and a ratio, between a number of poles of the AC generator and a number of poles of the AC motor;

wherein the AC generator comprises an AC synchronous generator, and

the AC motor comprises an induction motor;

the case further comprising:

a first case member rotatably holding the first rotatable portion,

a second case member, connected to the first case member, rotatable with the first rotatable portion and holding the generator and the motor,

a third case member, connected to the second case member, and accommodating the output shaft of the motor, and a means for clamping and joining the first case member, the second case member and the third case member.

19

18. A rotation speed changing apparatus comprising:
 an AC generator having an input shaft connectable to a
 first rotatable portion and rotatable in response to a
 rotation of the first rotatable portion, said AC generator
 generating AC electric power when the input shaft is
 5 rotated;
 an AC motor having an output shaft that is rotated when the
 AC motor receives the AC electric power generated by
 the AC generator; and
 a case, accommodating and holding the AC generator and
 10 the AC motor, the AC generator and the AC motor being
 arranged in the case along a center axis and a longitu-
 dinal direction of the first rotatable portion,
 wherein a rotation speed of the output shaft of the AC motor
 is based on a rotation speed of the input shaft of the AC

20

generator and a ratio, between a number of poles of the
 AC generator and a number of poles of the AC motor;
 the case further comprising:
 a first case member rotatably holding the first rotatable
 portion,
 a second case member, connected to the first case member,
 rotatable with the first rotatable portion and holding the
 generator and the motor,
 a third case member, connected to the second case member,
 and accommodating the output shaft of the motor, and
 a means for clamping and joining the first case member, the
 second case member and the third case member.

* * * * *