

US00RE43634E

(19) **United States**
(12) **Reissued Patent**
Mischel, Jr.

(10) **Patent Number:** **US RE43,634 E**
(45) **Date of Reissued Patent:** **Sep. 11, 2012**

(54) **MIRROR**
(75) Inventor: **James V. Mischel, Jr.**, Seattle, WA (US)
(73) Assignee: **Electric Mirror, LLC**, Everett, WA (US)
(21) Appl. No.: **29/320,737**
(22) Filed: **Jul. 2, 2008**

5,205,059 A 4/1993 Doll
D336,205 S 6/1993 Cooper
D339,921 S 10/1993 Nourse
5,279,880 A 1/1994 Cohart
D345,379 S 3/1994 Chan
5,367,802 A 11/1994 Rosenberg
D353,942 S 1/1995 Lo
5,392,544 A 2/1995 Price
D364,507 S 11/1995 Schwartz
5,575,552 A 11/1996 Faloon
D376,914 S 12/1996 Waszkiewicz, III
D383,908 S 9/1997 Waszkiewicz, III

(Continued)

Related U.S. Patent Documents

Reissue of:

(64) Patent No.: **Des. 559,553**
Issued: **Jan. 15, 2008**
Appl. No.: **29/262,001**
Filed: **Jun. 23, 2006**

(51) **LOC (9) Cl.** **06-07**
(52) **U.S. Cl.** **D6/308; D14/371**
(58) **Field of Classification Search** D6/300-314,
D6/444; D20/10; 40/700, 735, 738, 768,
40/769, 701, 717; D28/64.1; 250/492.23;
D14/129, 371; D11/132

See application file for complete search history.

(56) **References Cited**

U.S. PATENT DOCUMENTS

593,036 A 11/1897 Stuparich
D114,451 S 4/1939 Lazarus
2,268,529 A 12/1941 Stiles
2,351,877 A 6/1944 Rabkin
2,659,992 A 11/1953 Kiehl
3,038,771 A 6/1962 Schwartz
D221,670 S 8/1971 Seidman
3,786,584 A 1/1974 Holson
D230,773 S 3/1974 Arnold
D254,643 S 4/1980 Ashenfarb
D265,485 S 7/1982 Liptak
D268,349 S 3/1983 Cobb
D270,066 S 8/1983 Ackeret
D276,397 S 11/1984 Pfanstiehl
4,777,746 A 10/1988 Brooks
D311,820 S 11/1990 Glucksman
D320,364 S 10/1991 Hernandez
5,074,067 A 12/1991 Cohart
D327,370 S 6/1992 Mittelstrass
D335,148 S 4/1993 Barbieri

OTHER PUBLICATIONS

“Concord,” ElectricMirror.com, <<http://web.archive.org/web/20060311194445/www.electricmirror.com/concord.html>>, as early as Mar. 2006.

(Continued)

Primary Examiner — Philip S Hyder
Assistant Examiner — Sydney R Buffalow
(74) *Attorney, Agent, or Firm* — Peloquin, PLLC; Mark S. Peloquin, Esq.

(57) **CLAIM**

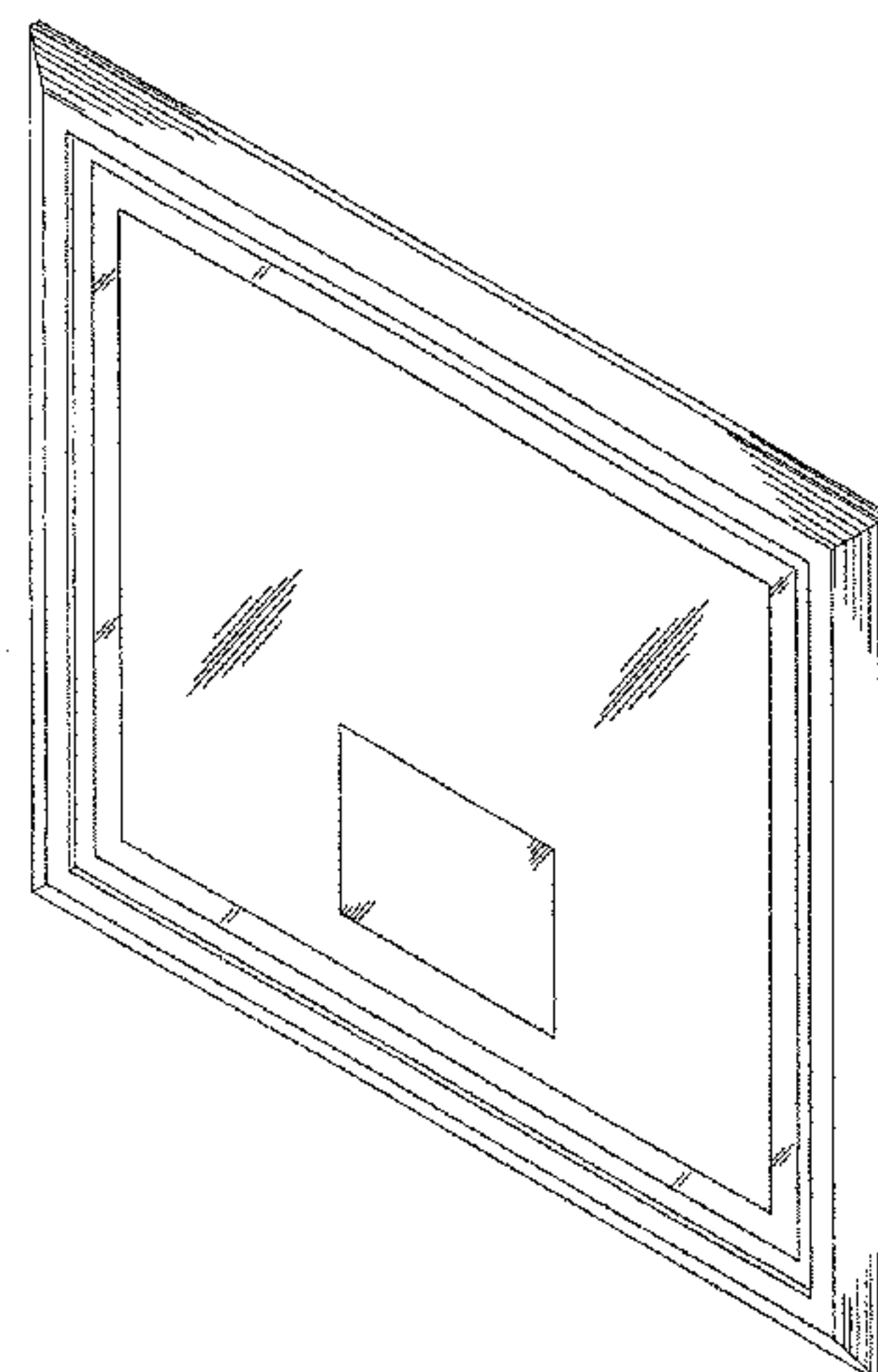
The ornamental design for a [backlit] mirror [with tv], as shown [and described].

DESCRIPTION

FIG. 1 is a perspective view of a [backlit] mirror [with tv], showing [our] my new design[:];
FIG. 2 is a front view thereof;
FIG. 3 is a left side view and a right side view thereof;
FIG. 4 is a top view and bottom view thereof; and,
FIG. 5 is a back view thereof.

1 Claim, 3 Drawing Sheets

Matter enclosed in heavy brackets [] appears in the original patent but forms no part of this reissue; matter printed in italics indicates the additions made by reissue.



US RE43,634 E

Page 2

U.S. PATENT DOCUMENTS

D384,304 S 9/1997 Sheldon
D384,821 S 10/1997 Sugar
D384,823 S 10/1997 Sugar
D390,010 S 2/1998 Fry
D405,473 S 2/1999 Tikhonski
D415,355 S 10/1999 Lewis
D424,812 S 5/2000 Kacius
6,099,928 A 8/2000 Chee
6,119,386 A 9/2000 Henry
D431,909 S 10/2000 Henry
D433,573 S 11/2000 Rochon
D434,571 S 12/2000 Copeland
D437,121 S 2/2001 Henry
D458,459 S 6/2002 Gottwald
D471,236 S 3/2003 Robbins, III
D480,923 S 10/2003 de Neubourg
D483,747 S 12/2003 Berube
D502,005 S 2/2005 Henry
D524,061 S 7/2006 Bruce
D524,555 S 7/2006 Mohundro
D527,914 S 9/2006 Sakaguchi
D531,819 S 11/2006 Everson
D536,881 S 2/2007 Mischel, Jr.
D546,565 S 7/2007 Mischel, Jr.
D547,073 S 7/2007 Mischel, Jr.

D559,555 S 1/2008 Mischel, Jr.
D559,557 S 1/2008 Mischel, Jr.
2002/0069567 A1 6/2002 Marino
2005/0005494 A1 1/2005 Way

OTHER PUBLICATIONS

“Esteem,” ElectricMirror.com, <<http://web.archive.org/web/20060709052833/www.electricmirror.com/esteem.html>>, as early as Mar. 2006.
“Inspiration,” ElectricMirror.com, <<http://web.archive.org/web/20060311194135/www.electricmirror.com/inspiration.html>>, as early as Mar. 2006.
“Masterpiece,” ElectricMirror.com, <<http://web.archive.org/web/20030831074237/www.electricmirror.com/english/menu.masterpiece.html>>, as early as Aug. 2003.
Mischel Jr., J.V., et al., “Backlit Mirror With TV,” U.S. Appl. No. 29/258,434, filed Apr. 22, 2006.
Mischel Jr., J.V., “Backlit Mirror,” U.S. Appl. No. 29/266,157, filed Sep. 14, 2006.
“Momentum,” ElectricMirror.com, <<http://web.archive.org/web/20030831074416/www.electricmirror.com/english/menu/momentum.html>>, as early as Aug. 2003.
“Steel Pleasure E201,” ElectricMirror.com, <<http://web.archive.org/web/20030831074823/www.electricmirror.com/english/menu/steelpleasure...html>>, as early as Aug. 2003.

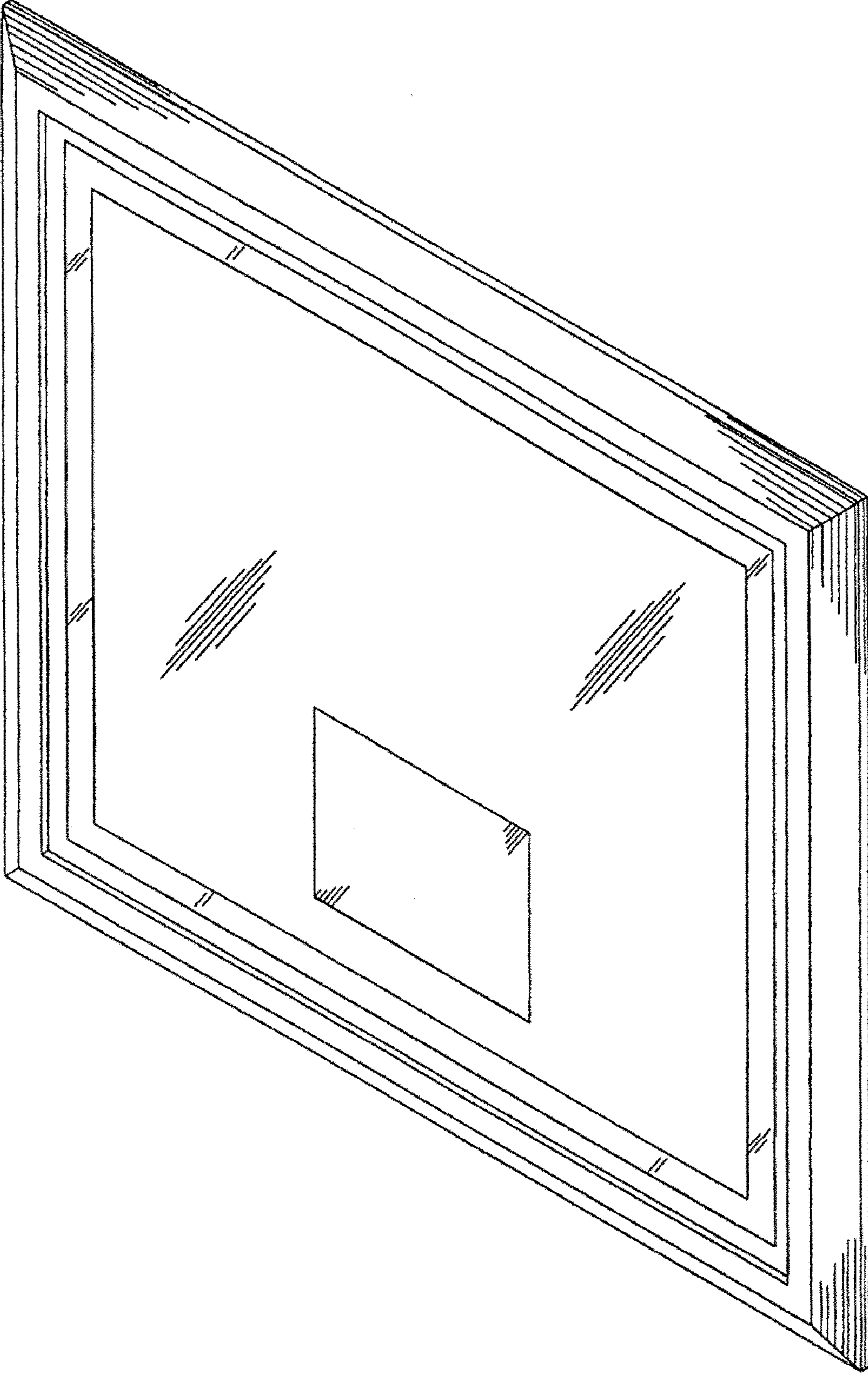


Fig. 1.

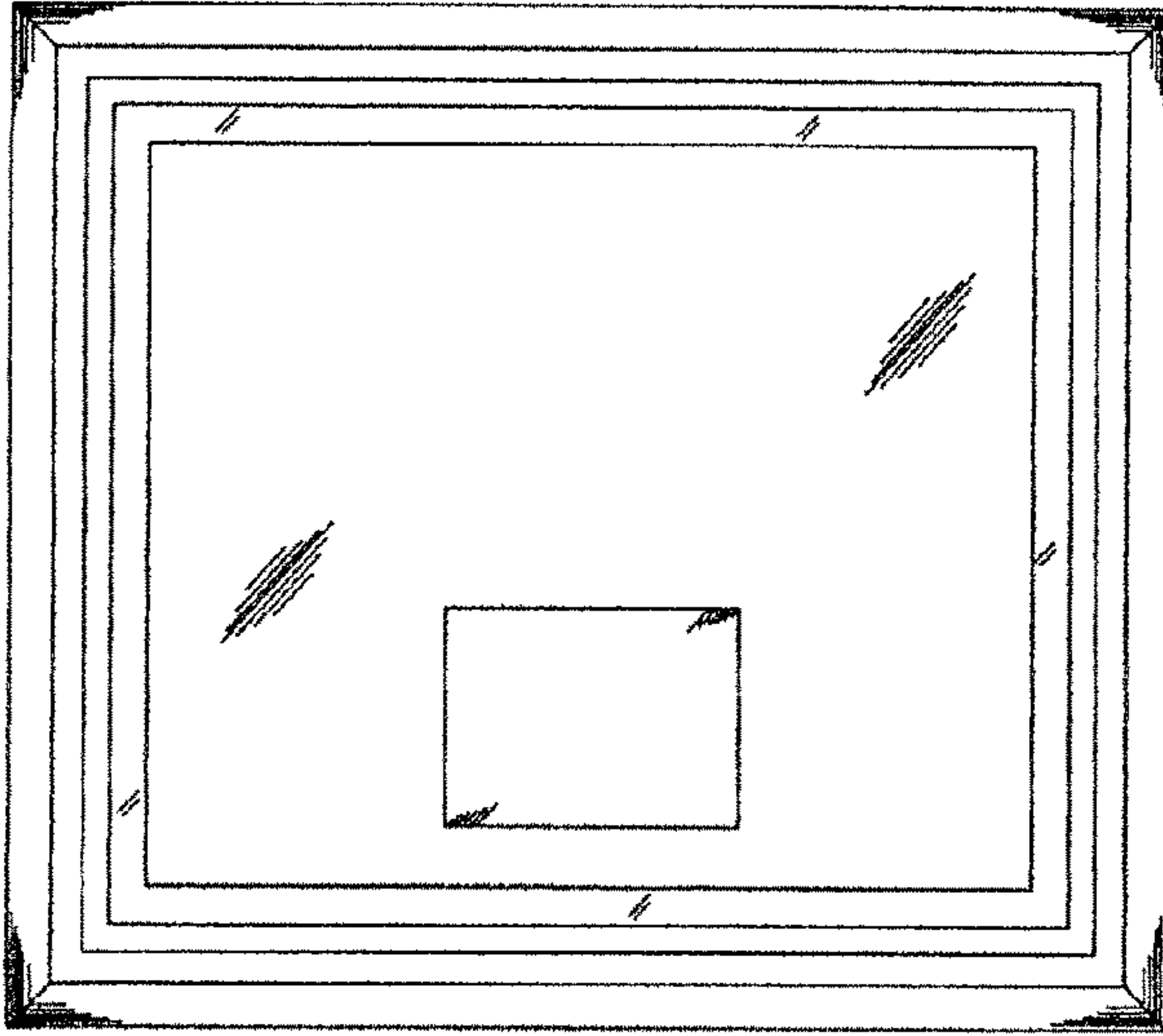


Fig. 2.

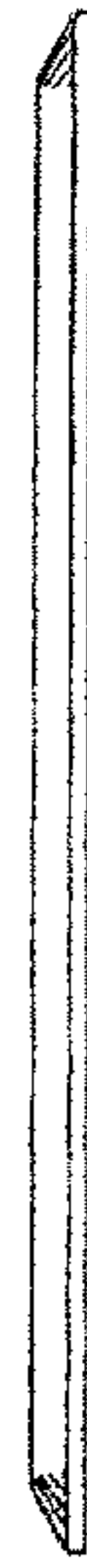


Fig. 3.

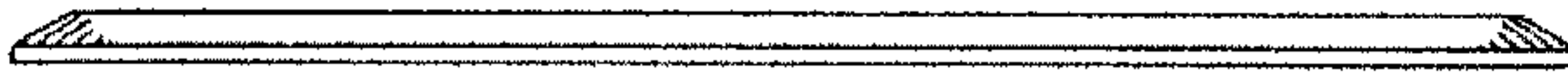


Fig. 4.

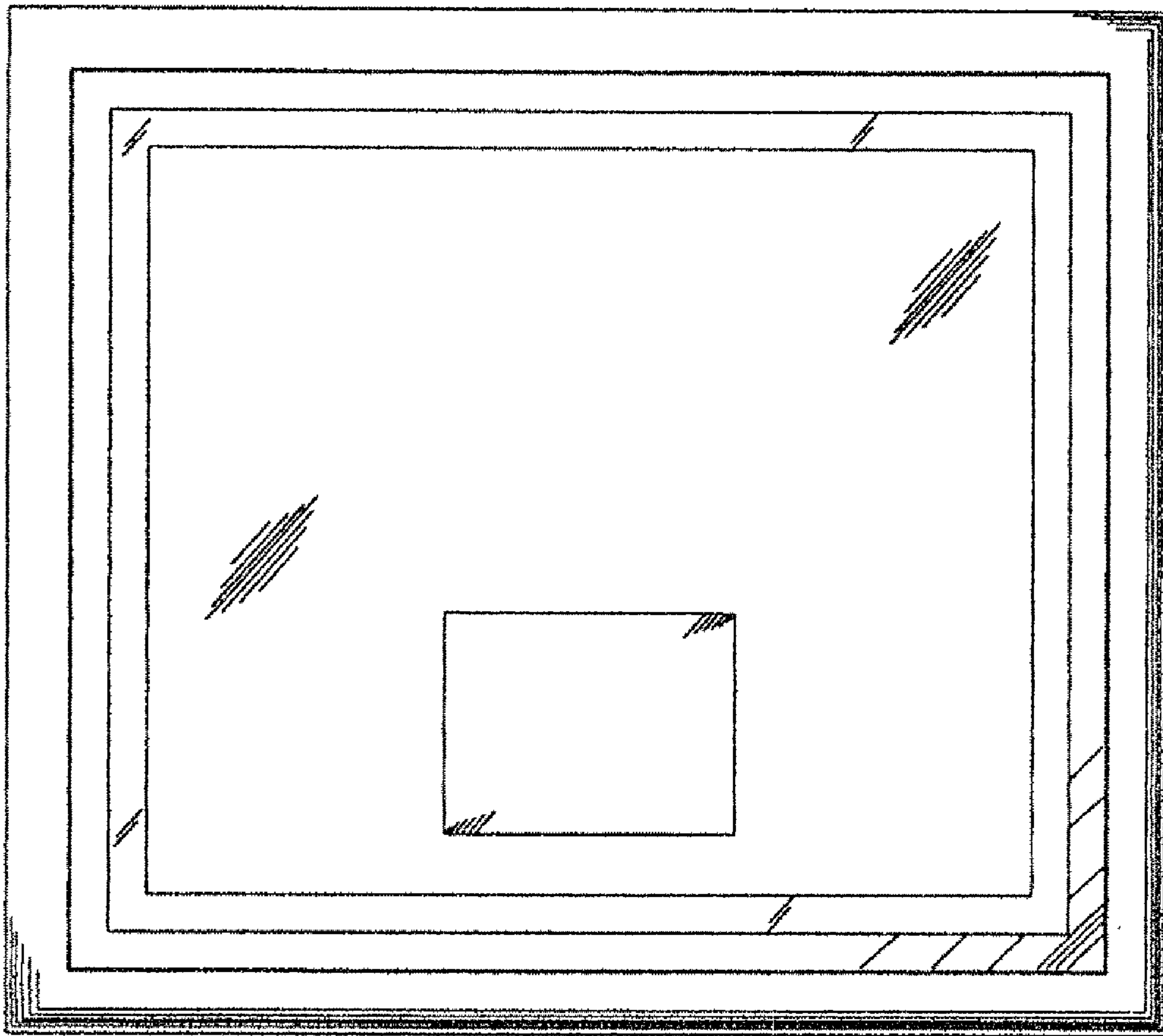


Fig. 5.