



US00RE43538E

(19) **United States**
(12) **Reissued Patent**
Solie et al.

(10) **Patent Number:** **US RE43,538 E**
(45) **Date of Reissued Patent:** **Jul. 24, 2012**

(54) **METHOD AND APPARATUS FOR PREVENTING BOOSTING SYSTEM BUS WHEN CHARGING A BATTERY**

(75) Inventors: **Eric Magne Solie**, Durham, NC (US);
Thomas A. Jochum, Durham, NC (US)

(73) Assignee: **Intersil Americas Inc.**, Milpitas, CA (US)

(21) Appl. No.: **12/951,716**

(22) Filed: **Nov. 22, 2010**

Related U.S. Patent Documents

Reissue of:

(64) Patent No.: **7,235,955**
Issued: **Jun. 26, 2007**
Appl. No.: **11/158,869**
Filed: **Jun. 22, 2005**

U.S. Applications:

(63) Continuation of application No. 12/492,635, filed on Jun. 26, 2009, now Pat. No. Re. 42,142.

(60) Provisional application No. 60/591,203, filed on Jul. 26, 2004.

(51) **Int. Cl.**
G05F 1/10 (2006.01)
G05F 1/40 (2006.01)

(52) **U.S. Cl.** **323/222; 323/284; 320/145**

(58) **Field of Classification Search** **323/222, 323/225, 241, 244, 235, 283, 284, 285, 288; 320/145**

See application file for complete search history.

(56) **References Cited**

U.S. PATENT DOCUMENTS

6,366,070	B1	4/2002	Cooke et al.
6,580,258	B2	6/2003	Wilcox et al.
6,812,676	B2	11/2004	Tateishi
6,979,985	B2	12/2005	Yoshida et al.
7,042,203	B2	5/2006	Van Der Horn et al.
7,170,197	B2	1/2007	Lopata
7,242,168	B2 *	7/2007	Muller et al. 323/222
7,245,113	B2	7/2007	Chen
7,498,791	B2	3/2009	Chen
2005/0258814	A1	11/2005	Chen

* cited by examiner

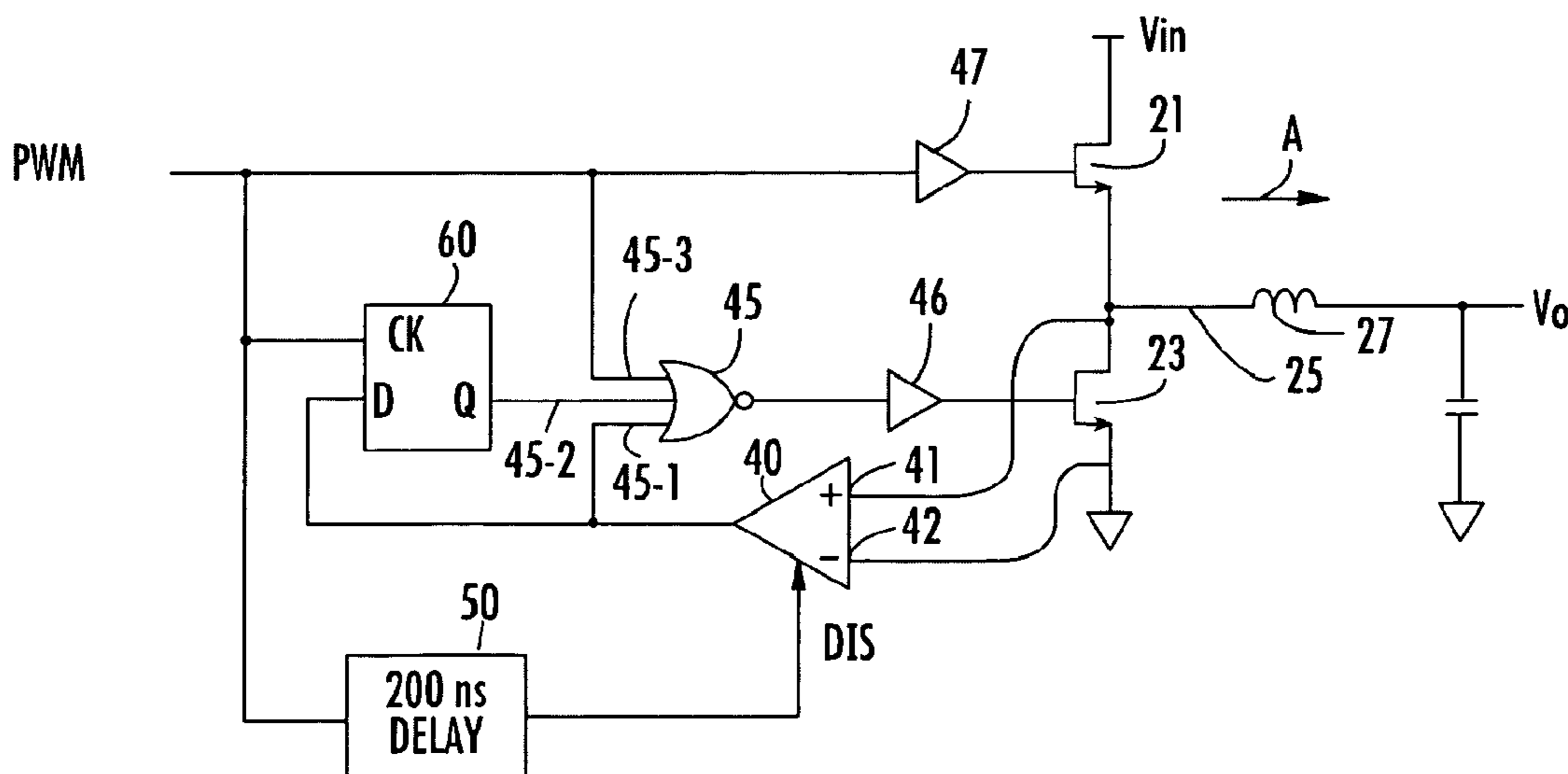
Primary Examiner — Jessica Han

(74) *Attorney, Agent, or Firm* — Fogg & Powers LLC

(57) **ABSTRACT**

A controllably alternating buck mode DC-DC converter conducts cycle by cycle analysis of the direction of inductor current flow to decide whether to operate in synchronous buck mode or standard buck mode for the next successive cycle. For each cycle of the PWM waveform controlling the buck mode DC-DC converter, a mode control circuit examines and latches data representative of the direction of inductor current flow relative to the chargeable battery. If the inductor current flow is positive, a decision is made to operate in synchronous buck mode for the next PWM cycle, which allows positive current to charge the battery; if the inductor current drops to zero, a decision is made to operate the converter in standard buck mode for the next PWM cycle, so as to prevent current from flowing out of the battery and boosting the system bus.

9 Claims, 4 Drawing Sheets



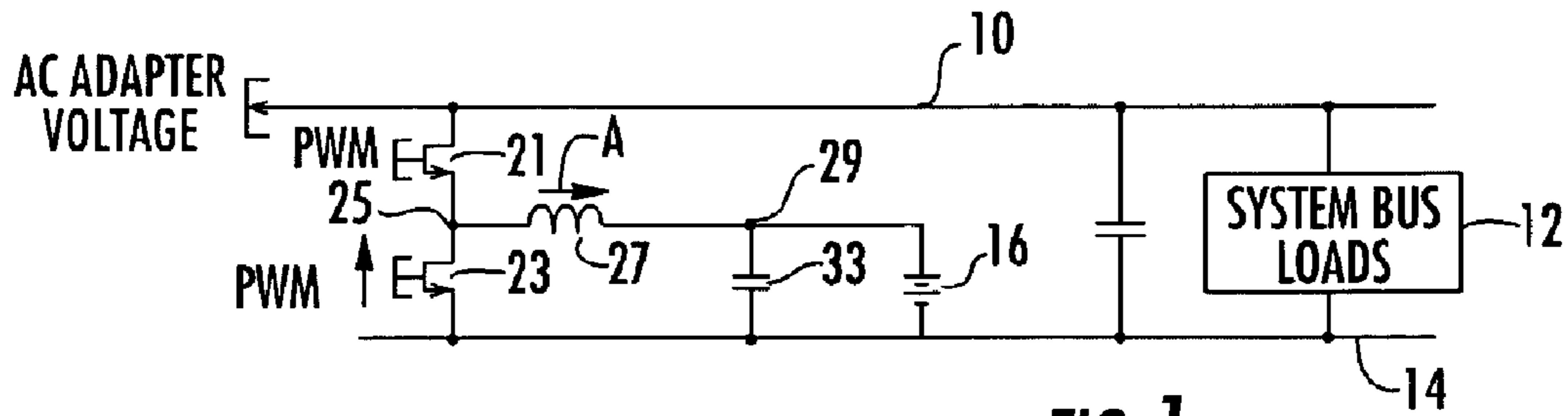


FIG. 1
(PRIOR ART)

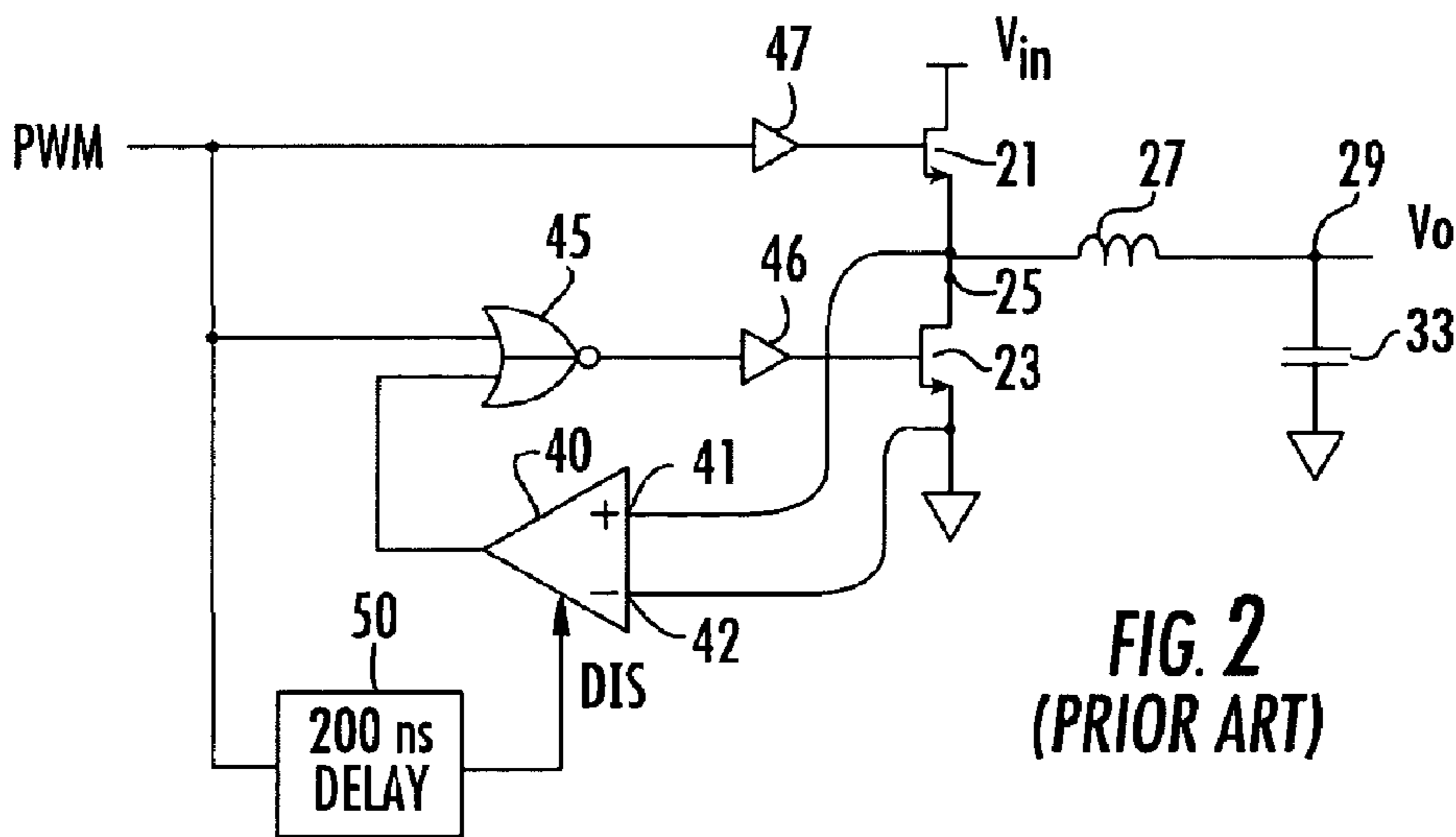


FIG. 2
(PRIOR ART)

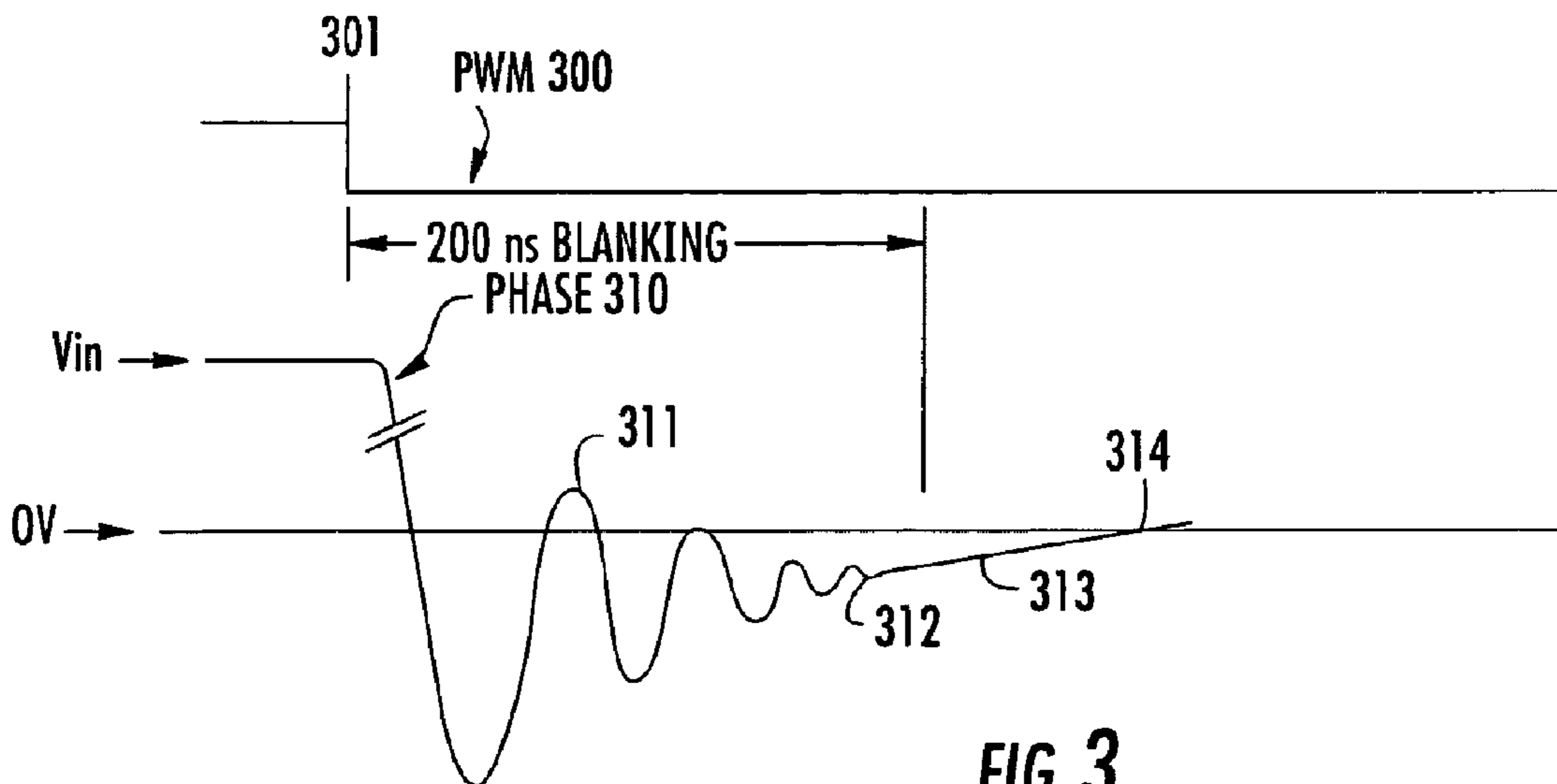


FIG. 3
(PRIOR ART)

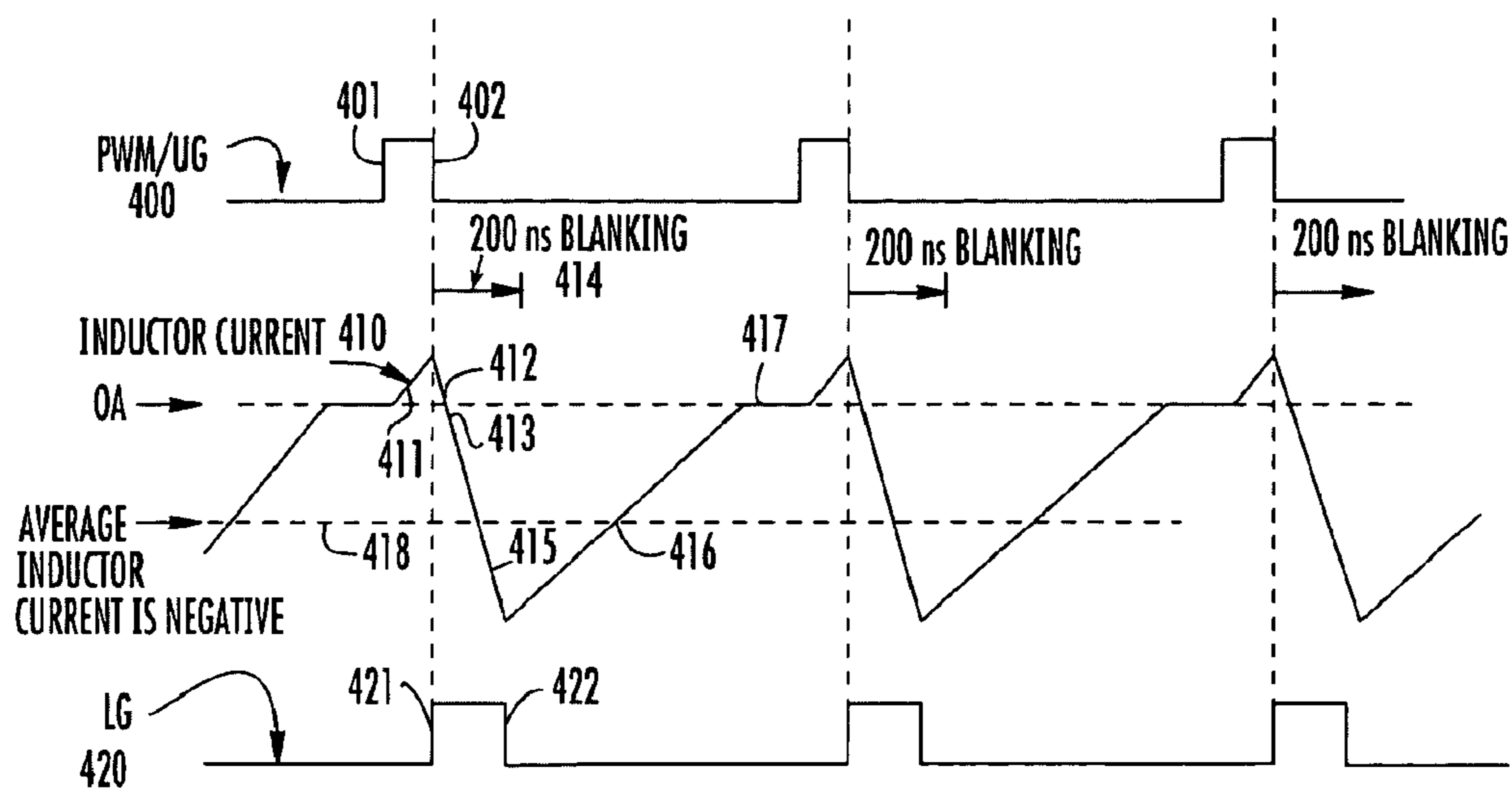


FIG. 4
(PRIOR ART)

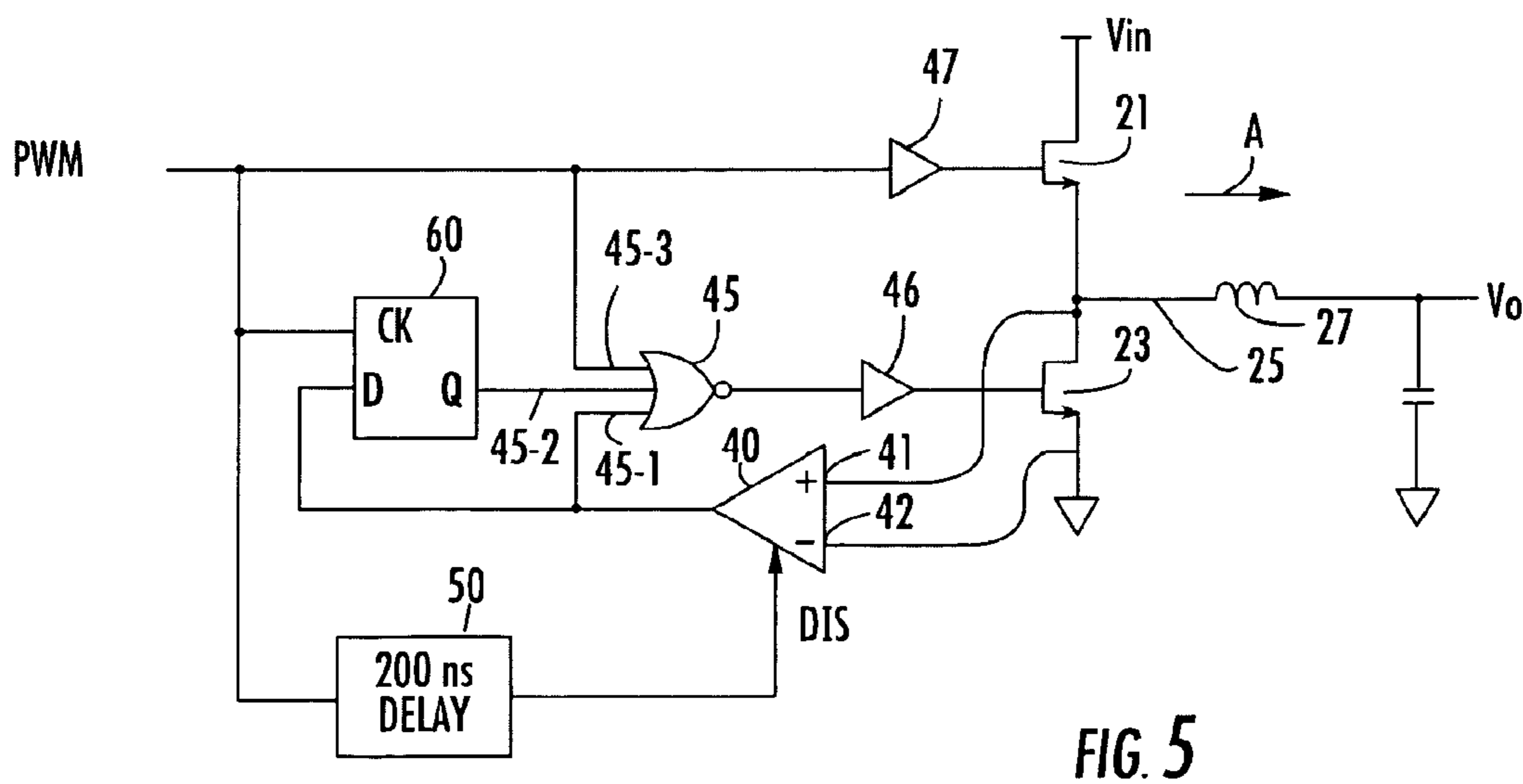


FIG. 5

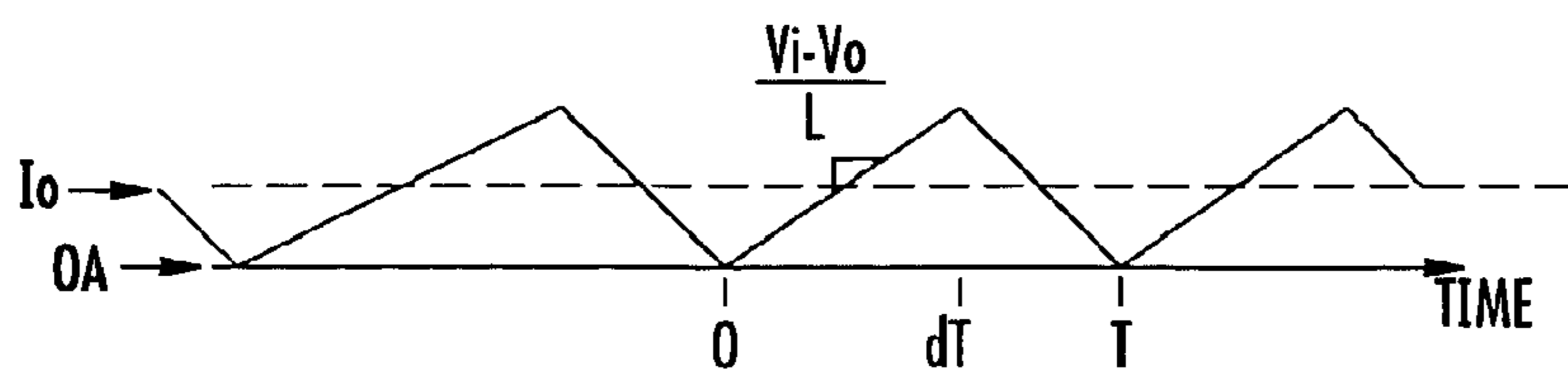
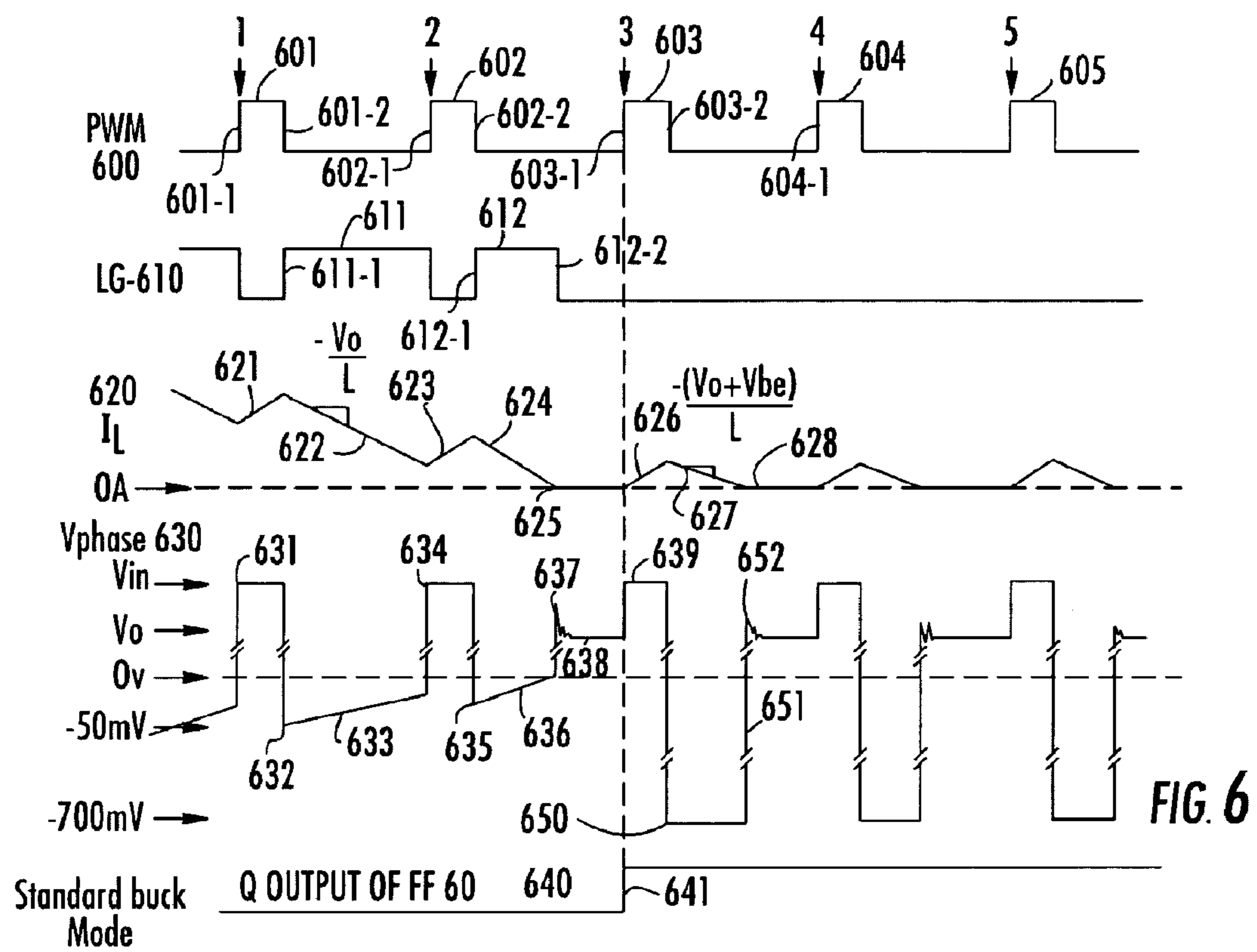
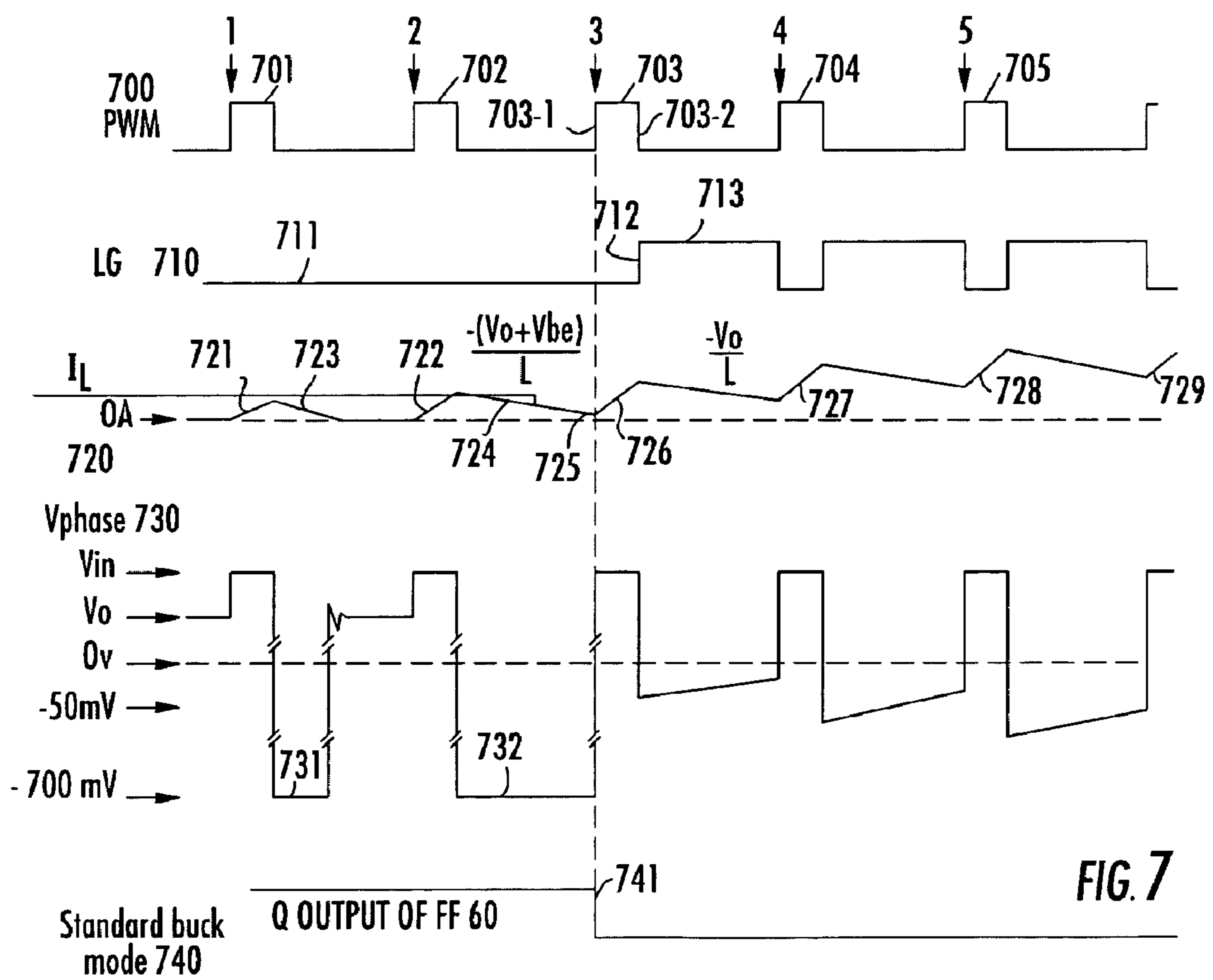


FIG. 8





1

**METHOD AND APPARATUS FOR
PREVENTING BOOSTING SYSTEM BUS
WHEN CHARGING A BATTERY**

Matter enclosed in heavy brackets [] appears in the original patent but forms no part of this reissue specification; matter printed in italics indicates the additions made by reissue.

CROSS-REFERENCE TO RELATED
APPLICATION

Notice: More than one reissue application has been filed for the reissue of U.S. Pat. No. 7,235,955. The reissue applications are reissue application Ser. No. 12/492,635 (the parent reissue application), issued as U.S. Reissue Pat. No. Re. 42,142; reissue application Ser. No. 12/951,693 (a sibling, continuation reissue); and reissue application Ser. No. 12/951,716 (the present, continuation reissue application). All three reissue applications are reissues of the same U.S. Pat. No. 7,235,955.

This continuation reissue application, 12/951,716, filed Nov. 22, 2010 is a continuation of 12/492,635, filed Jun. 26, 2009, now reissued as RE42,142, which is a reissue of 11/158,869, filed Jun. 22, 2005, now U.S. Pat. No. 7,235,955, which claims the benefit of U.S. Provisional Application Ser. No. 60/591,203, filed on Jul. 26, 2004.

The present application claims the benefit of now abandoned U.S. patent application Ser. No. 60/591,203, filed Jul. 26, 2004, by Eric Solie et al, entitled: "Method to Prevent Boosting the System Bus When Charging the Battery," assigned to the assignee of the present application and the disclosure of which is incorporated herein.

FIELD OF THE INVENTION

The present invention relates in general to power supply systems and subsystems thereof, and is particularly directed to a method and apparatus for controllably switching the operation of a buck mode DC-DC converter between synchronous buck mode and standard buck mode in a manner that is effective to prevent boosting the voltage of the system bus in the course of the buck mode converter charging a battery.

BACKGROUND OF THE INVENTION

FIG. 1 is a reduced complexity circuit diagram of a typical synchronous buck mode DC-DC converter architecture for charging a battery by way of a voltage that is supplied to the charger circuitry and to downstream powered circuitry from an AC-DC adapter. As shown therein, a powered system bus 10 is coupled to a system power source such as an AC-DC adapter, which is operative to supply a prescribed DC voltage, such as a voltage value on the order of sixteen to nineteen volts DC, that is to be available for powering one or more system bus loads 12, which are connected between the powered bus 10 and a reference voltage bus 14, such as a zero volts or ground bus. In addition to supplying a DC voltage to system bus components, the system bus is employed to charge an auxiliary power storage device, such as a battery 16.

For this purpose, an upper controlled switch or MOSFET 21 and a lower controlled switch or MOSFET 23 have their source-drain paths coupled in series between the system bus 10 and the reference voltage bus 14. The gates of these two MOSFETs are adapted to be driven by respective (comple-

2

mentary) pulse width modulation (PWM) signals supplied thereto by a PWM controller. The common or phase node 25 between the upper MOSFET or UFET 21 and the lower MOSFET or LFET 23 is coupled by way of an inductor 27 to an output node 29 to which the battery 16, referenced to the ground bus 14, is coupled. In addition, a capacitor 33 is coupled between output node 29 and the ground reference bus 14.

Now although the use of a synchronous buck mode DC-DC converter architecture provides a relatively efficient mechanism for charging the battery, its operation can lead to the delivery of a negative or reverse current from the battery charger onto the system supply bus 10, thereby increasing the system bus voltage to unsafe levels that may damage downstream system components. Such a flow of negative current can result from a number of events, such as, but not limited to, soft starting the charger, inserting the battery, and removing the adapter voltage. In these events, the charger is operating open loop with a duty cycle that is lower than the closed loop duty cycle. It is possible to boost the system bus, if negative inductor current is flowing, namely, away from the battery opposite the direction of the arrow A, which shows the direction of positive inductor current flow into the battery, and when the system bus load is low (i.e., the powered system, such as a laptop computer is off and the battery is being charged). Current boosting into the system bus cannot go into the AC-DC adapter (as it is not designed to sink current), or be used by the load (which is turned off), so that the system bus voltage rises.

The mechanism through which negative current makes its way to the system bus is as follows. When the UFET 21 is turned off and the LFET 23 is turned on, the current in inductor 27 will decrease to zero and then become negative, and current will begin to flow from the battery through the inductor 27 in the negative direction, and down through the LFET to the return bus or ground. This is the current loop through which current will flow when the LFET 23 is on. When the LFET is turned off, the current that has built up in the inductor 27 cannot go through the LFET, and instead flows through the body diode of the UFET 21 to the supply bus 10, thereby undesirably boosting the supply bus voltage, typically by a value on the order of several or more volts—high enough to damage loads connected to the system bus.

To address this problem, designers of synchronous buck mode DC-DC converters have commonly employed a mechanism, known as diode emulation, which causes the LFET to behave as though it were a diode. In this diode emulation mode, the direction of current flow through the LFET is monitored. As long as current is flowing in the positive direction (from the source to the drain) the LFET 23 is allowed to be turned on. However, if the current reaches zero or goes negative, then the lower FET is turned off. This effectively makes the lower FET emulate a diode, in that the LFET allows positive current to flow through it (upwardly from the source to the drain and out through the inductor in the positive direction), but blocks current in the opposite or negative direction, in that no current is allowed to flow through the LFET in the drain-to-source direction, once the current reaches a zero value.

A reduced complexity schematic of a conventional circuit for implementing this diode-emulation control function is shown diagrammatically in FIG. 2, as comprising a phase comparator 40, having its positive or non-inverting (+) input 41 coupled to the drain and its negative or inverting (-) input 42 coupled to the source of LFET 23. The output of the phase comparator 40 is coupled to one input of a NOR gate 45, a second input of which is coupled to receive the PWM signal.

The output of NOR gate **45** is coupled through a driver **46** to the gate input of LFET **23**. Similarly, the PWM signal is coupled through a driver **47** to the gate input of UFET **21**, and further to a delay circuit **50**, the output of which is coupled to the disable input of phase comparator **40**. Delay circuit **50** is used to disable or 'blank' the operation of phase comparator **40** for a prescribed time delay (e.g., on the order of 200 ns) subsequent to the rising edge of the PWM signal, to allow ringing at the phase node **25** associated with the inductance of inductor **27** and the parasitic capacitance of the phase node **25** to subside sufficiently to allow an accurate measurement of current flow.

The operation of the circuit of FIG. **2** may be understood with reference to the set of waveforms shown in FIG. **3**. When the PWM waveform shown at **300**, transitions from high to low at time **301**, the voltage at the phase node **25**, which had previously been at V_{in} due to the conduction of UFET **21**, will undergo negative ringing below zero volts as shown by the ringing portion **311** of phase node voltage waveform **310**. Because the ringing associated with the PWM transition constitutes noise, the operation of the phase comparator **40** is blanked by the delay circuit **50** for a period of time that allows the ringing to subside. At the end of the ringing interval shown at **312**, the phase node voltage is negative and begins a gradual transition towards zero volts as the inductor current gradually transitions towards zero as shown at **313**. At this point, the inductor current can be validly measured.

A voltage representative of the inductor current is produced by the on-resistance of the LFET **23** and value of the negative inductor current flowing from the drain to the source of LFET **23**. Because the source of LFET **23** is connected to ground, then when the current is positive—flowing from source to drain—the voltage at the phase node is actually below ground, as shown at **313**, referenced above. Once the voltage at the phase node has increased to zero volts, at time **314**, the output of the phase comparator **40** changes state and, via NOR gate **45**, turns off the LFET **23**, so that the LFET will act as a diode for negative inductor current.

The waveforms of FIG. **4** illustrate a fundamental problem with the mechanism employed in the circuit of FIG. **3**. If diode emulation were not employed, then the PWM signal for controlling the turn on/off of the LFET **23** would be the complement of the PWM signal employed for the UFET **21**. However, since diode emulation is controlled by the presence of the delay circuit **50**, the NOR gate **45**, and the phase comparator **40**, the LFET **23** has a shorter on time than the inverse of PWM waveform applied to the gate of UFET **21**. The top waveform **400** of FIG. **4** corresponds to the PWM signal that is applied to the gate UG of the UFET **21**, while the bottom waveform **420** corresponds to the PWM signal that is applied to the gate LG of the LFET **23**. The intermediate waveform **410** in FIG. **4** represents the variation in the inductor current through inductor **27**.

As shown in FIG. **4**, in response to the rising edge **401** in the PWM waveform **400** applied to the gate UG of the UFET **21**, inductor current begins a positive ramp at **411**, until the high-to-low transition **402** in the PWM waveform **400**. In response to this transition, the UFET **21** is turned off, and the inductor current begins ramping down towards 0 amps, as shown at **412**. In addition, when the PWM waveform applied to gate of the UFET **21** goes low, the waveform **420** applied to the gate of the LFET **23** goes high at **421**, thereby turning on the LFET **23**. During the interval between the high-to-low transition **402** in the PWM waveform applied to gate UG of the UFET **21** and the time **413** at which the inductor current reaches zero, positive inductor current is being supplied by the LFET

23, which has been turned on by the low-to-high **421** transition in the LG PWM signal **420**.

The positive inductor current being supplied by LFET **23** flows from its source, which is at ground potential, to its drain, which is at a phase node voltage negative with respect to ground. When the inductor current reaches zero amps (0 A) at time **413**, one would like to turn off the LFET **23**. However, due to the use of the delay/blanking interval **414**, the inductor current is not being monitored, so that no turn off signal is applied to the gate of the LFET **23**. Instead, the inductor current continues to decrease well below zero amps, as shown at **415**. Finally, at the end of the blanking interval, the output of the phase comparator **40**, which has detected that $V_d > V_s$, is allowed to indicate that negative inductor current has been detected, and the LFET **23** is turned off. This is shown in FIG. **4** by the high-to-low transition **422** of the gate control waveform LG **420** to the gate input of the LFET **23**.

When the LFET **23** turns off, the phase node **25** will go from zero volts to a diode drop above V_{in} , so that the body diode of UFET **21** is conducting. With both UFET **21** and LFET **23** now turned off, the negative polarity inductor current begins to ramp up towards zero amps, as shown at **416**. During this transition, the negative inductor current is flowing through the body diode of the UFET **21**. Eventually, at **417**, the ramping up negative current reaches zero amps and the cycle described above repeats.

An examination of the inductor current waveform **410** reveals that the average inductor current is negative, as shown by broken lines **418**. This means that an average negative current is being supplied by the battery into the system bus—placing the system bus **10** at an undesirably high voltage value. It will be readily appreciated, therefore, that within the blanking interval **414** a fairly large negative inductor current is realized. If the battery voltage is relatively high and the value L of the inductor **27** is relatively low, then di/dt is relatively large; namely, the inductor current reaches a relatively large negative value within a relatively small window of time. One way to mitigate against this effect is to reduce the blanking interval. However, doing so creates the risk that the phase comparator will trigger on a ringing edge rather than on a true zero-crossing ramp, as described above with reference to FIG. **3**. As pointed out above, the ringing is due to the parasitic capacitance of the phase node and the value of the inductance. The blanking interval must be kept sufficiently wide to allow the ringing voltage at the phase node to subside. However, doing so means that there will be a fairly substantial average negative inductor current presented to the system bus, which is the problem to be solved.

SUMMARY OF THE PRESENT INVENTION

Pursuant to the present invention, shortcomings of prior art synchronous buck mode-based battery chargers, including those described above with reference to FIGS. **1-4**, are successfully remedied by a controllably alternating buck mode DC-DC converter, that is selectively switched between synchronous buck mode and standard buck mode, in a manner that is effective to prevent boosting the voltage of the system bus in the course of the buck mode converter charging a battery. For this purpose, the invention comprises a memory augmentation to the prior art circuit of FIG. **2**, described above, that examines and latches a data bit representative of the direction of inductor current flow relative to the chargeable battery for each cycle of the PWM waveform that controls the operation of the buck mode DC-DC converter. If the direction of output inductor current flow is positive (into the battery) at the rising edge of PWM, the converter is operated

5

in synchronous buck mode for the next PWM cycle, on the other hand, if the direction of current flow at the rising edge of PWM is tending to be negative (out of the battery), in particular if the inductor current drops to zero, the converter is operated in standard buck mode for the next PWM cycle, so as to prevent current from flowing out of the battery and boosting the system bus.

To this end, the memory augmentation of the buck mode DC-DC converter circuit of FIG. 2 involves the incorporation of a D-type flip-flop having its D input coupled to the output of the phase comparator, its clock input CK coupled to receive the PWM waveform, and its Q output coupled as an additional input to the NOR gate. The state of the Q output of the flip-flop determines whether the converter is to operate in synchronous buck mode or standard buck mode. When operating in standard buck mode, the Q output of the flip-flop is latched high, which keeps the LFET turned off, so that the converter is effectively configured as a standard buck mode converter, having a PWM controlled UFET and a body diode of the LFET. Since, in this mode, the LFET operates as a diode, inductor current is prevented from going negative, as the body diode of the LFET will effectively block negative current flow. Therefore, where inductor current shows a tendency to or 'starts' to go negative (i.e. drops to zero) within the blanking interval, the LFET's body diode will block the current the moment the inductor current reaches zero amps.

The flip-flop monitors the output of phase comparator on the rising edge of the PWM waveform, which serves as the clock (CK) input to the flip-flop. The flip-flop latches the state of the phase comparator and uses this stored information for the next PWM cycle. If, on the rising edge of the PWM waveform, the phase comparator indicates that the inductor current is positive (into the battery), the LFET is allowed to turn on. Namely, where the inductor current is positive, the drain of the LFET will be below ground; therefore, the output of the phase comparator goes low ('0'), which is clocked into the flip-flop, so that the Q output of flip-flop goes low. As a consequence, two of the three inputs to the NOR gate are low, so that the NOR gate will be effectively controlled by its remaining input, which is the PWM waveform. Therefore, in response to a low-to-high transition in the PWM waveform, the output of the NOR gate goes low, so that the LFET will be turned off. Until the next rising edge of the PWM waveform, the Q output of flip-flop will remain low for an entire PWM period. Since the Q output of the flip-flop is low, the next time the PWM waveform goes low, all inputs to the NOR gate will be low, so that the output of the NOR gate will be high ('1'), thereby turning on the LFET, so that the converter operates in synchronous buck mode.

If, on the other hand, on the rising edge of the PWM waveform, the inductor current has dropped to zero, then the drain of the LFET will be positive (above ground). As a result, the output of the phase comparator will be high. This high ('1') state is clocked into the flip-flop on the rising edge of the PWM waveform, so that the Q output of the flip-flop is high ('1'). Since a high on any input of the NOR gate will force its output low, the low output of the NOR gate will now force the LFET to be turned off for the entire period. In this condition, the LFET behaves as a diode, so that the converter operates as a standard buck mode converter.

BRIEF DESCRIPTION OF THE DRAWINGS

FIG. 1 is a reduced complexity circuit diagram of a typical synchronous buck mode DC-DC converter for charging a

6

battery by way of a voltage that is supplied to the charger circuitry and to downstream powered circuitry from an AC-DC adapter;

FIG. 2 is a reduced complexity schematic of a conventional circuit for implementing a diode-emulation control function in a synchronous buck mode DC-DC converter of the type shown in FIG. 1;

FIGS. 3 and 4 are respective sets of waveforms associated with the operation of the circuit of FIG. 2;

FIG. 5 shows a memory augmentation of the buck mode DC-DC converter circuit of FIG. 2 in accordance with an embodiment of the present invention, that controllably switches the converter between synchronous buck mode and standard buck mode operation, in a manner that is effective to prevent boosting the voltage of the system bus;

FIG. 6 is a set of waveforms showing a transition in the operation of the converter of FIG. 5 from synchronous buck mode to standard buck mode;

FIG. 7 is a set of waveforms showing a transition in the operation of the converter of FIG. 5 from standard buck mode to synchronous buck mode; and

FIG. 8 is an inductor current waveform associated with the operation of FIG. 5.

DETAILED DESCRIPTION

Attention is now directed to FIG. 5, which shows a modification of the buck mode DC-DC converter circuit of FIG. 2 in accordance with an embodiment of the present invention, to include a memory element that is used to selectively latch the output of the phase detector and thereby control the switching of the operation of the converter between synchronous buck mode and standard buck mode operation, in a manner that is effective to prevent boosting the voltage of the system bus. In particular, FIG. 5 shows the addition of a D-type flip-flop 60 having its D input coupled to the output of the phase comparator 40, its clock input CK coupled to receive the PWM waveform, and its Q output coupled as an additional input to NOR gate 45. As will be described below, the state of the Q output of flip-flop 60 determines whether the converter is to operate in synchronous buck mode or standard buck mode.

When operating in standard buck mode, LFET 23 is held off, so that only its body diode participates in the operation of the circuit. Namely, when the Q output of flip-flop 60 is such as to hold LFET 23 turned off, the converter is effectively configured as a standard buck mode converter having a PWM controlled UFET 21 and a diode LFET 23. Since, in this mode, the LFET operates as a diode, inductor current is prevented from going negative, since the body diode of the LFET will effectively block negative current flow. Therefore, even if, as in waveform diagram of FIG. 4, inductor current shows a tendency to or 'starts' to go negative (i.e. drops to zero) within the blanking interval, the LFET's body diode will block the current the moment the inductor current reaches zero amps. It may be noted that if both the UFET and the LFET are turned off, and the inductor current is positive, it flows through the body diode of the UFET.

The function of the flip-flop 60 is to monitor the output of phase comparator 40 on the rising edge of the PWM waveform, which serves as the clock (CK) input to the flip-flop. The flip-flop stores or remembers the state of the phase comparator and uses this stored information for the next PWM cycle. The phase comparator is used to indicate in what direction inductor current is flowing. Namely, if, on the rising edge of the PWM waveform, phase comparator 40 indicates that

the inductor current is positive (in the direction of arrow A into the battery), LFET 23 is allowed to turn on.

As pointed out above, if the inductor current is positive, the drain of LFET 23 is below ground; therefore, in response to a negative polarity voltage applied to the non-inverting (+) input 41, the output of phase comparator 40 goes low ('0'). This low or '0', in turn, is clocked into the D input of flip-flop 60, so that the Q output of flip-flop 60 goes low. As a consequence, the bottom two inputs 45-1 and 45-2 to NOR gate 45 are low, so that the controlling input to NOR gate 45 will be the PWM waveform, which is applied to input 45-3. By virtue of its NOR function, gate 45 will produce a '0' at its output if any of its inputs is a high or '1', and will produce a '1' at its output, only if all of its inputs are low ('0's).

Thus, in response to a low-to-high transition in the PWM waveform, which is applied to input 45-3 of NOR gate 45, the output of NOR gate 45 will be low, so that the LFET 23 will be turned off. Until the next rising edge of the PWM waveform, the Q output of flip-flop 60 will remain low for an entire PWM period. Since the Q output of flip-flop 60 is low, the next time PWM goes low, all of the inputs to the NOR gate 60 will be low, so that the output of the NOR gate will be high ('1'), thereby turning on LFET 23, so that the converter operates in synchronous buck mode.

If, on the other hand, on the rising edge of the PWM waveform, the inductor current has dropped to zero, then the drain of LFET 23 will be positive (above ground). As a result, the output of the phase comparator 40 will be high. This high ('1') state is clocked into the D input of flip-flop 60 on the rising edge of the PWM waveform, so that the Q output of flip-flop 60 is high ('1'). As pointed out above, a high on any input of NOR gate 45 will force its output low. Therefore, in this state, the output of NOR gate 45 will force LFET 23 to be turned off for the entire period. In this condition, LFET 23 behaves as a diode, so that the converter operates as a standard buck mode converter.

The manner in which the memory function of flip-flop 60 is used to selectively switch the converter between standard buck mode and synchronous buck mode may be readily understood with reference to FIGS. 6 and 7, wherein FIG. 6 is a set of waveforms showing a transition in the operation of the converter from synchronous buck mode to standard buck mode (going from a high output current to a low output current), while FIG. 7 is a set of waveforms showing a transition in the operation of the converter from standard buck mode to synchronous buck mode (going from a low output current to a high output current).

Referring now to FIG. 6, an upper PWM waveform 600 is shown as comprising a sequence of PWM pulses 601, 602, 603, 604, 605, . . . , which are applied to the gate of UFET 21. As will be described over the course of this sequence of PWM pulses, the converter of FIG. 5 is operative to transition from synchronous buck mode to standard buck mode. With the converter initially operating in synchronous buck mode, then at the rising edge 601-1 of the first PWM pulse 601 of PWM waveform 600, UFET 21 is turned on, and at the falling edge 601-2 of PWM pulse 601, which corresponds to the rising edge 611-1 of pulse 611 of the drive waveform 610 (LG) to the gate of LFET 23, LFET 23 is turned on. Namely, being in synchronous buck mode, the PWM drive to LFET 23 is complementary to the PWM drive to UFET 21. As is further shown in the inductor current waveform 620, during this time the inductor current is incrementally ramping down; there is an increasing ramp 621 in the inductor current during the high state of the PWM pulse 601, and a decreasing ramp 622 in the inductor current during the high state of the LG pulse 611.

As can be seen from an examination of the left hand side of the inductor current waveform 620, during synchronous buck mode, the inductor current has a positive value. Waveform 630, which represents the voltage at the phase node 25, shows the phase node voltage transitioning to V_{in} at 631, when the UFET 21 is turned on by the PWM pulse 601 in the waveform 600, and then dropping at 632 to a prescribed voltage value below ground (e.g., on the order of -50 mV), when the UFET 21 is turned off and LFET 23 is turned on. Thereafter, as shown at 633, the phase node voltage gradually ramps up towards ground (zero volts) as the inductor current 622 decays.

The bottom waveform 640 shows the state of the Q output of the D flip-flop 60 during this time. As described above, during synchronous buck mode, the low output of phase comparator 40 is clocked into D flip-flop 60 and its Q output remains low for a complete cycle. Since the Q output of flip-flop 60 is low, the next time PWM goes low, all of the inputs to the NOR gate 60 will be low, so that the output of the NOR gate will be high ('1'), thereby turning on LFET 23, and the converter operates in synchronous buck mode.

Referring again to the upper PWM waveform 600, at the rising edge 602-1 of the second PWM pulse 602, UFET 21 is again turned on, and at the falling edge 602-2 of PWM pulse 602, which corresponds to the rising edge 612-1 of pulse 612 of the drive waveform 610 (LG) to the gate of LFET 23, UFET 21 is turned off, and LFET 23 is turned on. Namely, still being in synchronous buck mode, the PWM drive to LFET 23 is complementary to the PWM drive to UFET 21.

In the inductor current waveform 620, the inductor current continues to incrementally ramp down toward zero amps; there is another increasing ramp 623 in inductor current during the high state of the PWM pulse 602, and a decreasing ramp 624 in inductor current during the high state of the LG pulse 612. During the high state of the PWM pulse 602, the phase node voltage is again at the input voltage V_{in} , as shown at 634, as UFET 21 is turned on by pulse 602 in the PWM waveform 600, and then drops at 635 to a voltage value below ground (e.g., on the order of -25 mV), when the UFET 21 is turned off and LFET 23 is turned on. As shown at 636, the phase node voltage gradually ramps up towards ground (zero volts) as the inductor current 624 decays.

During the high state of the LG pulse 612, the inductor current has a decreasing ramp 624. However, unlike the previous cycle, rather than being at a positive current value when the next PWM pulse is asserted, ramp 624 reaches zero at time 625 prior to the next PWM pulse 603. As described above, in accordance with the operation of the converter of FIG. 5, when the inductor current drops to zero amps, the output of the phase comparator 40 goes high, so that the output of NOR gate 45 goes low, and LFET 23 is turned off, as shown at high-to-low transition edge 612-2 of waveform 610. With LFET 23 being turned off, the phase node voltage rings from zero volts up to V_{out} (V_o), as shown at 637, and then stays at V_o , as shown at 638 in waveform 630.

At the rising edge 603-1 of the next PWM pulse 603, the high ('1') output of phase comparator 40 will be clocked into flip-flop 60, so that its Q output goes high, as shown at 641 of waveform 640, which represents the Q state of flip-flop 60, and holds LFET 23 off. UFET 21 is turned on by the rising edge 603-1 of PWM pulse 603, so that the phase node voltage rises to V_{in} , as shown at 639; in addition, the inductor current begins ramping up, as shown by increasing ramp portion 626 of inductor current waveform 620. Next, on the falling edge 603-2 of PWM pulse 603, since the Q output of flip-flop 60 is high, LFET 23 is prevented from turning on. As a result, the LG waveform 610 remains low, so that when UFET 21 turns

off at **603-2**, positive inductor current will flow through the LFET **23** body diode and pull the drain of the LFET one diode drop below ground. The phase node voltage therefore drops to a value on the order of -700 mV, as shown at **650** in the phase node voltage waveform **630**, as current is flowing from the source to the drain of LFET **23**.

In response to the falling edge **603-2** of PWM pulse **603**, UFET **21** is turned off and inductor current begins to ramp down toward zero, as shown at **627** in the inductor current waveform **620**. When the inductor current reaches zero at **628**, the phase node voltage will rise, as shown as **651** in phase node voltage waveform **630**. When the phase node voltage rises above zero volts, the body diode of LFET **23** will block current, therefore the inductor current will stop decreasing and will stay at zero amps. The phase node voltage will then ring up to the output voltage level as shown at **652** of phase node voltage waveform **630**.

In standard buck mode operation, when UFET **21** is turned on (by a rising edge in the PWM waveform), inductor current is positive and rises; then, when the UFET **21** is turned off (as the PWM waveform transitions low), current will flow through the body diode of the LFET **23** until the inductor current reaches zero, at which time the phase node voltage will rise to the value of V_{out} or the battery voltage. There is no current flowing through the inductor, therefore no voltage drop across the inductor, so that the phase node voltage equals V_{out} .

On the next rising edge of the PWM waveform, namely, the rising edge **604-1** of PWM pulse **604**, with the phase node voltage being very positive (V_{out}), the output of phase comparator **40** is high, which again gets clocked into the flip-flop **60** maintaining its Q output high, and forcing the output of NOR gate **45** to remain low ('0'), so that the LFET **23** is maintained off, thus sustaining standard buck mode operation at low current for the next cycle of the PWM waveform. This operation is repeated for each PWM cycle, so that the mode in which the converter is to operate is determined on a cycle by cycle basis on the rising edge of each PWM pulse.

From the foregoing it will be appreciated that the state of the Q output of flip-flop **60** defines the mode of operation of the converter. If the Q output is low, the converter operates in synchronous buck mode allowing the LFET **23** to be turned on; if the Q output is high, the converter operates in standard buck mode, wherein LFET **23** is maintained off.

Attention is now directed to FIG. 7, which is a set of waveforms showing a transition in the operation of the converter from standard buck mode to synchronous buck mode (going from a low output current to a high output current). Again, as in the case of FIG. 6, FIG. 7 depicts an upper PWM waveform **700**, containing a sequence of PWM pulses **701**, **702**, **703**, **704**, **705**, . . . , which are applied to the gate of UFET **21**. As will be described, over the course of this sequence of PWM pulses, the converter of FIG. 5 is operative to transition from standard buck mode to synchronous buck mode.

With the converter initially operating in standard buck mode, then, on the rising edges of the first two PWM pulse **701** and **702** of PWM waveform **700** when UFET **21** is turned on, the phase node voltage is at V_{out} , which means that the output of phase comparator **40** will be high ('1'). This high output of the phase comparator is clocked into flip-flop **60**, so that its Q output is high, forcing the output of NOR gate **45** to be low, and thereby maintaining the gate drive LG to LFET **23** low so, as shown at the low portion **711** of waveform **710**, and keeping LFET **23** turned off, as described above, in connection with the standard buck mode operation of FIG. 6.

During the on times of the PWM pulses, UFET **21** is turned on, so that inductor current ramps up from zero amps as

shown at **721** and **722** in inductor current waveform **720**. When UFET **21** is turned off in response to the high-to-low transitions of the pulses **701** and **702** in the PWM waveform, the inductor current gradually ramps down through the body diode toward zero, as shown at **723** and **724**. This pulls the phase node a body diode below ground (e.g., on the order of -700 mV) as shown at **731** and **732** in waveform **730**. Because of the body diode, the slope of the decrease in inductor current is proportional to the sum of the output voltage V_{out} and the body diode voltage drop V_{be} .

At rising edge **703-1** of PWM pulse **703**, the positive inductor current has not yet decreased to zero amps, as shown at **725**, and the phase node **25** is still a body diode voltage drop (-700 mV) less than zero volts. Since this voltage is coupled to the non-inverting (+) input **41** of the phase comparator **40**, the output of the phase comparator goes low. This low output is applied to the D input of flip-flop **60**, and is clocked into the flip-flop **60** on the rising edge **703-1** of PWM pulse **703**. The Q output of flip-flop **60** is now low, as shown at transition **741** in the flip-flop Q waveform **740**, so that inputs **45-2** and **45-1** to NOR gate **45** are both low.

This represents a transition from standard buck mode to synchronous buck mode. NOR gate input **45-3** is high, due to the high state of PWM pulse **703**. The falling edge **703-2** of PWM pulse **703** causes all inputs to the NOR gate **45** to be low, so that the output of NOR gate **45** goes high, whereby the control waveform **710** applied to the gate of LFET **23** goes high, as shown at **712** in waveform **710**, turning on LFET **23**. The operation of the converter now proceeds as described above with reference to FIG. 6 for the synchronous mode of operation, with the gate drive to the LFET **23** being the complement of the gate drive to the UFET **21**, which is the PWM waveform. This causes the inductor current to gradually ramp up, as shown at inductor current ramp segments **726-727-728-729**.

As shown in the phase node voltage waveform **730**, the phase node voltage ramps up slowly, but is still negative (e.g., on the order of -10 mV), due to the drop across the on-resistance of the LFET **23**. Since the inductor current is positive, the phase node voltage is slightly negative; with the phase node voltage being negative, a low is repetitively clocked out from the phase comparator **45** into the D input of flip-flop **60**, so that its Q output is low ('0'), whereby inputs **45-2** and **45-1** to NOR gate **45** remain low. This allows the change in state of the PWM input **45-3** to repetitively turn on LFET **23** during the low state of the PWM waveform.

The point at which a transition occurs between the two operational modes (synchronous buck mode and standard buck mode) of the converter of FIG. 5, may be readily understood by reference to the inductor current waveform of FIG. 8. The transition between the two modes will occur at a continuous conduction mode discontinuous conduction mode boundary, namely just at a point wherein the inductor current reaches zero amps and ramps up on the next rising edge of the PWM waveform. In particular, FIG. 8 shows a variation of inductor current with time. For a positive current ramp, the slope (di/dt) is proportional to the difference between the value of system bus voltage (V_i) and battery voltage (V_{out}). As shown in FIG. 8, inductor current rises from zero amps to a peak current over a time duration dT . After the peak time dT , the inductor current ramps down to zero at time T . The slope (di/dt) of the falling ramp is equal to $-V_{out}/L$. By setting the change in current for a rising ramp to a change in current for a falling ramp equal to each other, the average value of induc

11

tor current I_o can be determined. Using the basic inductor voltage/current relationship:

$$V=L\cdot di/dt,$$

then,

$$(V_i-V_{out})/L=2I_o/dT=2I_o/(T(V_o/V_i)).$$

Solving for I_o ,

$$I_o=(1-(V_{out}/V_i))V_o/(T/2L).$$

It should be noted that in the course of transitioning from standard buck mode to synchronous buck mode, it is not possible to have negative inductor current. As noted above, the present invention prevents the flow of negative inductor current by discriminating between positive inductor current and 'tending' toward negative or 'zero' inductor current. If positive inductor current is flowing, the phase node voltage is one body diode drop (V_{be}) below ground (e.g., -700 mV); for zero inductor current, the phase node voltage is equal to V_{out} .

When the converter is operating in standard buck mode, the slope of the falling ramp of the inductor current, namely di/dt , is equal to $-(V_{out}+V_{be})/L$, where L is the inductance of inductor **27**, since LFET **23** has a body diode drop across it, as described above. When the converter is operating in synchronous buck mode, LFET **23** is no longer a diode, but is essentially shorted out, so that the V_{be} term goes to zero. This changes the slope di/dt of the falling ramp to $-V_{out}/L$.

As will be appreciated from the foregoing description, drawbacks of a conventional synchronous buck mode-based battery charger of the type described above with reference to FIGS. 1-4, are effectively obviated by the controllably alternating buck mode DC-DC converter of the present invention, which uses a cycle by cycle analysis of the direction of inductor current flow to decide whether the converter is to operate in synchronous buck mode or standard buck mode for the next successive cycle. For each cycle of the PWM waveform, that controls the operation of the buck mode DC-DC converter, the invention examines and latches a data bit representative of the direction of inductor current flow relative to the chargeable battery. If the direction of output inductor current flow is positive, a decision is made that the converter is to operate in synchronous buck mode for the next PWM cycle, so as to allow positive current to charge the battery; on the other hand, if the inductor current drops to zero, a decision is made to operate the converter in standard buck mode for the next PWM cycle, so as to prevent current from flowing out of the battery and boosting the system bus.

It may be noted that an alternative methodology of the present invention involves an examination of more than one cycle of the waveform before switching the operational mode. As a non-limiting example, a decision could be made to switch modes after having three consecutive readings each of which indicates that a mode switch should be effected.

While we have shown and described an embodiment in accordance with the present invention, it is to be understood that the same is not limited thereto but is susceptible to numerous changes and modifications as known to a person skilled in the art. We therefore do not wish to be limited to the details shown and described herein, but intend to cover all such changes and modifications as are obvious to one of ordinary skill in the art.

What is claimed is:

[1. A controllably alternating buck mode DC-DC converter comprising:

an upper switching stage and a lower switching stage having controlled current flow paths therethrough coupled

12

between an input voltage terminal adapted to receive an input voltage, and a reference voltage terminal adapted to receive a reference voltage, a common node between said upper switching stage and said lower switching stage being coupled through an output inductor to an output port for charging a battery, said upper switching stage having an upper control terminal to which a first pulse width modulation (PWM) waveform is applied for controlling the conduction and non-conduction of said upper switching stage, and wherein said lower switching stage has a lower control terminal to which a second PWM waveform, referenced to said first PWM waveform, is selectively applied for controlling the conduction and non-conduction of said lower switching stage; and

a lower switching stage controller, which is operative, in response to a positive inductor current flow from said common node to said output port at the end of one or more cycles including a respective i th cycle of said first PWM waveform, to allow said second PWM waveform to be applied to said lower control terminal of said lower switching stage during the $(i+1)$ th cycle of said first PWM waveform, and thereby cause said buck mode DC-DC converter to operate in synchronous buck mode for the $(i+1)$ th cycle of said first PWM waveform, and

in response to inductor current dropping to zero during said one or more cycles including said respective i th cycle of said first PWM waveform, to cause diode emulation of said lower switching stage during the $(i+1)$ th cycle of said first PWM waveform, and thereby cause said buck mode DC-DC converter to operate in standard buck mode for the $(i+1)$ th cycle of said first PWM waveform.]

[2. The DC-DC converter according to claim 1, wherein said lower switching stage controller is operative to store information representative of the direction of inductor current flow for said i th cycle of said first PWM waveform, and to selectively cause said buck mode DC-DC converter to operate in either synchronous buck mode or standard buck mode for the $(i+1)$ th cycle of said first PWM waveform, based upon said information.]

[3. The DC-DC converter according to claim 2, wherein said lower switching stage controller comprises:

a phase detector having inputs thereof coupled across the current flow path through said second switching stage, and an output coupled to a logic circuit, a flip-flop having an input coupled to said output of said phase detector, a clock input coupled to receive said first PWM waveform, and an output coupled to said logic circuit, said logic circuit being coupled to receive said first PWM waveform and having an output coupled to said lower control terminal of said lower switching stage.]

[4. The DC-DC converter according to claim 3, wherein said lower switching stage controller further comprises a blanking circuit which is operative to controllably disable said phase detector for a prescribed period of time following the termination of said first PWM waveform.]

[5. The DC-DC converter according to claim 1, wherein, in response to a positive inductor current flow from said common node to said output port at the end of said one or more cycles including said respective i th cycle of said first PWM waveform, said lower switching stage controller is operative to generate said second PWM waveform as the complement of said first PWM waveform, for application to said lower control terminal of said lower switching stage during the

(i+1)th cycle of said first PWM waveform, and thereby cause said buck mode DC-DC converter to operate in synchronous buck mode for the (i+1)th cycle of said first PWM waveform.]

[6. The DC-DC converter according to claim 1, wherein, in response to a zero inductor current during said one or more cycles including said respective ith cycle of said first PWM waveform, said lower switching stage controller is operative to prevent said second PWM waveform from being applied to said lower control terminal of said lower switching stage during the (i+1)th cycle of said first PWM waveform, and thereby cause said buck mode DC-DC converter to operate in standard buck mode for the (i+1)th cycle of said first PWM waveform.]

[7. The DC-DC converter according to claim 1, wherein said upper switching stage comprises an upper MOSFET and said lower switching stage comprises a lower MOSFET, and wherein said lower switching stage controller is operative, in response to a positive inductor current flow from said common node to said output port at the end of said one or more cycles including said respective ith cycle of said first PWM waveform, to allow said second PWM waveform to be applied to a gate terminal of said lower MOSFET stage during the (i+1)th cycle of said first PWM waveform, and thereby turn on said lower MOSFET and cause said buck mode DC-DC converter to operate in synchronous buck mode for the (i+1)th cycle of said first PWM waveform and, in response to inductor current dropping to zero during said one or more cycles including said respective ith cycle of said first PWM waveform, to turn off said lower MOSFET during the (i+1)th cycle of said first PWM waveform, and thereby cause said buck mode DC-DC converter to operate in standard buck mode for the (i+1)th cycle of said first PWM waveform.]

[8. A method of operating a buck mode DC-DC converter comprised of an upper switching stage and a lower switching stage having controlled current flow paths therethrough coupled between an input voltage terminal adapted to receive an input voltage, and a reference voltage terminal adapted to receive a reference voltage, a common node between said upper switching stage and said lower switching stage being coupled through an output inductor to an output port for charging a battery, said upper switching stage having an upper control terminal to which a first pulse width modulation (PWM) waveform is applied for controlling the conduction and non-conduction of said upper switching stage, and wherein said lower switching stage has a lower control terminal to which a second PWM waveform, referenced to said first PWM waveform, is selectively applied for controlling the conduction and non-conduction of said lower switching stage, said method comprising the steps of:

(a) in response to a positive inductor current flow from said common node to said output port at the end of each of one or more cycles including a respective ith cycle of said first PWM waveform, coupling said second PWM waveform to said lower control terminal of said lower switching stage during an (i+1)th cycle of said first PWM waveform, thereby causing said buck mode DC-DC converter to operate in synchronous buck mode for the (i+1)th cycle of said first PWM waveform; and

(b) in response to inductor current dropping to zero during said one or more cycles including said respective ith cycle of said first PWM waveform, producing diode emulation of said lower switching stage during the (i+1)th cycle of said first PWM waveform, thereby causing said buck mode DC-DC converter to operate in standard buck mode for the (i+1)th cycle of said first PWM waveform.]

[9. The method according to claim 8, wherein step (a) comprises storing information representative of the direction of inductor current flow for said ith cycle of said first PWM waveform, and selectively causing said buck mode DC-DC converter to operate in synchronous buck mode for the (i+1)th cycle of said first PWM waveform, in response to said information being representative of positive inductor current flow.]

[10. The method according to claim 8, wherein step (b) comprises storing information representative of the direction of inductor current flow for said one or more cycles including said ith cycle of said first PWM waveform, and selectively causing said buck mode DC-DC converter to operate in standard buck mode for the (i+1)th cycle of said first PWM waveform, in response to said information being representative of zero inductor current flow.]

[11. The method according to claim 8, further comprising the step (c) of controllably disabling steps (a) and (b) for a prescribed period of time following the termination of said first PWM waveform.]

[12. The method according to claim 8, wherein, in response to a positive inductor current flow from said common node to said output port during said one or more cycles including said respective ith cycle of said first PWM waveform, step (a) comprises generating said second PWM waveform as the complement of said first PWM waveform, for application to said lower control terminal of said lower switching stage during the (i+1)th cycle of said first PWM waveform, thereby causing said buck mode DC-DC converter to operate in synchronous buck mode for the (i+1)th cycle of said first PWM waveform.]

[13. The method according to claim 8, wherein, in response to a zero inductor current during said one or more cycles including said respective ith cycle of said first PWM waveform, step (b) comprises preventing said second PWM waveform from being applied to said lower control terminal of said lower switching stage during the (i+1)th cycle of said first PWM waveform, thereby causing said buck mode DC-DC converter to operate in standard buck mode for the (i+1)th cycle of said first PWM waveform.]

[14. A controller for a buck mode DC-DC converter comprised of an upper switching stage and a lower switching stage having controlled current flow paths therethrough coupled between an input voltage terminal adapted to receive an input voltage, and a reference voltage terminal adapted to receive a reference voltage, a common node between said upper switching stage and said lower switching stage being coupled through an output inductor to an output port for charging a battery, said upper switching stage having an upper control terminal to which a first pulse width modulation (PWM) waveform is applied for controlling the conduction and non-conduction of said upper switching stage, and wherein said lower switching stage has a lower control terminal to which a second PWM waveform, referenced to said first PWM waveform, is selectively applied for controlling the conduction and non-conduction of said lower switching stage, said controller comprising:

a storage device which is operative to store information representative of the direction of inductor current flow for one or more cycles including an ith cycle of said first PWM waveform; and

a logic circuit coupled to storage device and said lower switching stage and being operative to selectively cause said buck mode DC-DC converter to operate in one of synchronous buck mode and standard buck mode for an (i+1)th cycle of said first PWM waveform, based upon said information stored by said storage device.]

15

[15. The controller according to claim 14, wherein said logic circuit is operative, in response to a positive inductor current flow from said common node to said output port at the end of said one or more cycles including said i th cycle of said first PWM waveform, to allow said second PWM waveform to be applied to said lower control terminal of said lower switching stage during said $(i+1)$ th cycle of said first PWM waveform, and thereby cause said buck mode DC-DC converter to operate in synchronous buck mode for the $(i+1)$ th cycle of said first PWM waveform.]

[16. The controller according to claim 14, wherein said logic circuit is operative, in response to said inductor current being reduced to zero during one or more cycles including said i th cycle of said first PWM waveform, to cause diode emulation of said lower switching stage during the $(i+1)$ th cycle of said first PWM waveform, and thereby cause said buck mode DC-DC converter to operate in standard buck mode for the $(i+1)$ th cycle of said first PWM waveform.]

[17. The controller according to claim 14, further comprising a phase detector having inputs thereof coupled across the current flow path through said second switching stage, and an output coupled to said logic circuit, and wherein said memory device comprises a flip-flop having an input coupled to said output of said phase detector, a clock input coupled to receive said first PWM waveform, and an output coupled to said logic circuit, and wherein said logic circuit is coupled to receive said first PWM waveform and having an output coupled to said lower control terminal of said lower switching stage.]

[18. The controller according to claim 17, wherein said lower switching stage controller further comprises a blanking circuit which is operative to controllably disable said phase detector for a prescribed period of time following the termination of said first PWM waveform.]

[19. The controller according to claim 14, wherein, in response to a positive inductor current flow from said common node to said output port at the end of said one or more cycles including said i th cycle of said first PWM waveform, said logic circuit is operative to generate said second PWM waveform as the complement of said first PWM waveform, for application to said lower control terminal of said lower switching stage during the $(i+1)$ th cycle of said first PWM waveform, and thereby cause said buck mode DC-DC converter to operate in synchronous buck mode for the $(i+1)$ th cycle of said first PWM waveform.]

[20. The controller according to claim 14, wherein, in response to a zero inductor current during said one or more cycles including said i th cycle of said first PWM waveform, said logic circuit is operative to prevent said second PWM waveform from being applied to said lower control terminal of said lower switching stage during the $(i+1)$ th cycle of said first PWM waveform, and thereby cause said buck mode DC-DC converter to operate in standard buck mode for the $(i+1)$ th cycle of said first PWM waveform.]

21. A method of controlling the operating mode of a buck mode regulator to charge a battery from an input voltage source, the method comprising:

monitoring a signal related to inductor current of the buck mode regulator;

operating the buck mode regulator in a synchronous operating mode during a current switching cycle when the signal related to inductor current exceeds a threshold during an entire previous switching cycle, irrespective of inductor current during the current switching cycle; and

operating the buck mode regulator in a standard operating mode during the current switching cycle when the inductor current reaches less than or equal to approximately

16

zero during the previous switching cycle, irrespective of the inductor current during the current switching cycle.

22. The method of claim 21, wherein operating the buck mode regulator in a standard operating mode during a current switching cycle comprises opening the low side switch for the whole current switching cycle.

23. A method of operating a switching stage controller, comprising:

determining whether a signal related to an inductor current is above a first threshold or below a second threshold at the end of an i th cycle of a pulse width modulation (PWM) waveform;

outputting a control signal to operate a circuit coupled to the switching stage controller in synchronous buck mode during a current switching cycle when the signal related to an inductor current is above the first threshold during a previous switching cycle, irrespective of the inductor current during the current switching cycle; and

outputting a control signal to operate the circuit in standard buck mode during the current switching cycle when the signal related to an inductor current is below the second threshold during the previous switching cycle, irrespective of the inductor current during the current switching cycle.

24. A method for operating a controller for a voltage regulator, comprising:

generating a pulse width modulation (PWM) signal for control of an upper and a lower switch in the voltage regulator; and

outputting a control signal to the voltage regulator based on a feedback signal related to an inductor current of the voltage regulator;

wherein the control signal operates the voltage regulator in synchronous buck mode for an $(i+1)$ th cycle of a PWM waveform of the PWM signal when the feedback signal related to an inductor current flow is above a first threshold during an entire i th cycle of the PWM waveform, irrespective of the inductor current flow during the $(i+1)$ th cycle; and

wherein the control signal operates the voltage regulator in standard buck mode for the $(i+1)$ th cycle of the PWM waveform of the PWM signal when the signal related to an inductor current flow falls below a second threshold during the i th cycle of the PWM waveform, irrespective of the inductor current flow during the $(i+1)$ th cycle.

25. A method of operating an alternating buck mode DC-DC converter, comprising:

applying a first pulse width modulation (PWM) waveform to an upper control terminal of an upper switching stage for controlling the conduction and non-conduction of the upper switching stage;

applying a second PWM waveform to a lower control terminal of a lower switching stage to operate the buck mode DC-DC converter in synchronous buck mode for an $(i+1)$ th cycle of the first PWM waveform in response to a signal at a common node between the lower switching stage and the upper switching stage related to an inductor current flow being above a first threshold during an entire i th cycle of the first PWM waveform; and

applying the second PWM waveform to the lower control terminal to operate the buck mode DC-DC converter in standard buck mode for the $(i+1)$ th cycle of the first PWM waveform in response to the signal related to inductor current flow falling below a second threshold during the i th cycle of the first PWM waveform.

17

26. A method of operating an alternating buck mode DC-DC converter, comprising:

applying a first pulse width modulation (PWM) signal to an upper control terminal of an upper switching stage for controlling the conduction and non-conduction of the upper switching stage;

applying a second PWM signal to a lower control terminal of a lower switching stage coupled in series with the upper switching stage between an input voltage terminal adapted to receive an input voltage and a reference voltage terminal adapted to receive a reference voltage, wherein the second PWM signal selectively controls the conduction and non-conduction of the lower switching stage;

wherein the second PWM signal operates the buck mode DC-DC converter in synchronous buck mode for an $(i+1)$ th cycle of a PWM waveform of the first PWM signal when a signal related to an inductor current is above a first threshold during an entire i th cycle of the first PWM waveform; and

wherein the second PWM signal operates the buck mode DC-DC converter in standard buck mode for the $(i+1)$ th cycle of the PWM waveform of the first PWM signal when the signal related to an inductor current falls below a second threshold during the i th cycle of the first PWM waveform.

27. A method of operating an alternating buck mode DC-DC converter, comprising:

applying a first pulse width modulation (PWM) waveform to an upper control terminal of an upper switching stage for controlling the conduction and non-conduction of the upper switching stage; and

18

applying a second PWM waveform to a lower control terminal of a lower switching stage coupled in series with the upper switching stage between an input voltage terminal adapted to receive an input voltage and a reference voltage terminal adapted to receive a reference voltage, wherein the second PWM waveform selectively controls the conduction and non-conduction of the lower switching stage;

wherein the second PWM waveform operates the buck mode DC-DC converter in synchronous buck mode for an $(i+1)$ th cycle of a PWM waveform of the first PWM waveform when a signal related to inductor current flow at a common node between the upper switching stage and lower switching stage coupled through an output inductor to an output port for charging a battery is of at least an output current threshold during an entire i th cycle of the first PWM waveform; and

wherein the second PWM waveform operates the buck mode DC-DC converter in standard buck mode for the $(i+1)$ th cycle of the PWM waveform of the first PWM waveform when the signal related to inductor current flow at the common node falls to approximately zero during one or more cycles including the i th cycle of the first PWM waveform.

28. The method of claim 27, further comprising: remaining in either standard buck mode or synchronous buck mode for a period of time following a transition of the first PWM waveform.

29. The method of claim 27, wherein the second PWM waveform is an approximate complement of the first PWM waveform.

* * * * *