



US00RE43456E

(19) **United States**
(12) **Reissued Patent**
Verfuерth et al.

(10) **Patent Number:** **US RE43,456 E**
(45) **Date of Reissued Patent:** **Jun. 12, 2012**

(54) **FLUORESCENT TUBE LIGHT LOW BAY REFLECTOR**

(75) Inventors: **Neal R. Verfuерth**, Manitowoc, WI (US); **Donald C. Heimerman**, Random Lake, WI (US); **Kenneth J. Wetenkamp**, Plymouth, WI (US); **Ronald E. Ernst**, Waldo, WI (US)

(73) Assignee: **Orion Energy Systems, Inc.**, Plymouth, WI (US)

(21) Appl. No.: **29/333,666**

(22) Filed: **Mar. 12, 2009**

Related U.S. Patent Documents

Reissue of:

(64) Patent No.: **Des. 538,462**
Issued: **Mar. 13, 2007**
Appl. No.: **29/203,684**
Filed: **Apr. 19, 2004**

(51) **LOC (9) Cl.** **26-99**

(52) **U.S. Cl.** **D26/118**

(58) **Field of Classification Search** D26/24,
D26/72, 75, 76, 85, 87, 88, 92, 93, 113, 118,
D26/119, 120, 122, 138, 140, 141, 142, 145,
D26/152, 155; 52/695, 696; D8/354, 356,
D8/373, 349, 380; 362/335, 341, 342, 325,
362/326, 330, 301, 317, 323, 290, 291, 296,
362/279, 280, 285, 260, 270, 277, 145, 147,
362/151, 152, 217, 257

See application file for complete search history.

(56) **References Cited**

U.S. PATENT DOCUMENTS

1,888,103 A * 11/1932 Guth 362/348
2,219,383 A 10/1940 Dillon
D130,744 S * 12/1941 Krasemann, Sr. D8/380
2,565,875 A * 8/1951 Musacchia 52/695
D177,532 S * 4/1956 Meyer et al. D26/128
2,741,694 A * 4/1956 Wiig et al. 362/340
D180,611 S 7/1957 McPhail

D193,802 S * 10/1962 Thomsen et al. D26/128
3,125,301 A * 3/1964 Stotter 362/217.06
D207,596 S * 5/1967 Wince D26/122
3,477,187 A * 11/1969 Fruman 52/346
D243,246 S * 2/1977 England D13/102

(Continued)

Primary Examiner — Philip S Hyder

Assistant Examiner — Kevin Rudzinski

(74) *Attorney, Agent, or Firm* — Foley & Lardner LLP

(57) **CLAIM**

We claim the ornamental design for fluorescent tube light low bay reflector, as shown and described.

DESCRIPTION

FIG. 1 is a top plan view of the fluorescent tube light low bay reflector, showing our new design;

FIG. 2 is a cross sectional view thereof, taken along line 2—2 of FIG. 1;

FIG. 3 is a cross sectional view thereof, taken along line 3—3 of FIG. 1;

FIG. 4 is a cross sectional view thereof, taken along line 4—4 of FIG. 1;

FIG. 5 is a cross sectional view thereof, taken along line 5—5 of FIG. 1;

FIG. 6—is a left side elevation view, and the right side elevation view is a mirror image of the left side elevation view;

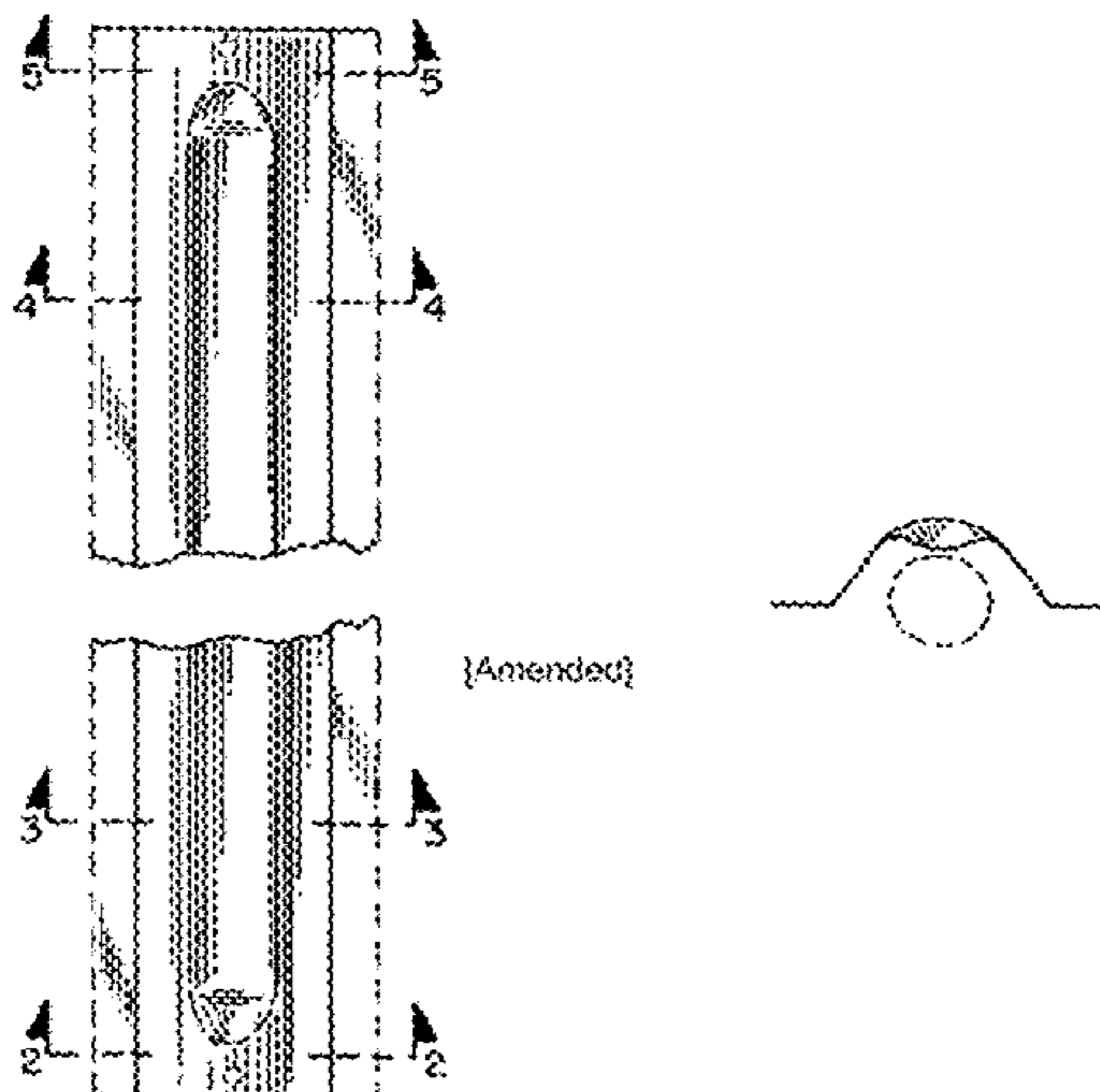
FIG. 7—is a perspective top view; and,

FIG. 8 is a bottom plan view of the fluorescent tube light low bay reflector.

[The broken lines shown in FIGS. 1, 2, 3, 4, 5, 7 and 8 are for illustration only, and form no part of this invention.] *The evenly spaced broken lines in FIGS. 1, 7 and 8 depict an unclaimed portion of the article. The unevenly spaced broken lines in FIGS. 2 through 5 depict an environmental structure that forms no part of the claimed design.*

1 Claim, 3 Drawing Sheets

Matter enclosed in heavy brackets [] appears in the original patent but forms no part of this reissue; matter printed in italics indicates the additions made by reissue.



US RE43,456 E

Page 2

U.S. PATENT DOCUMENTS

D254,476	S *	3/1980	Gilb	D8/354	5,530,255	A *	6/1996	Lyons et al.	250/492.3
4,246,736	A *	1/1981	Kovar et al.	52/696	D374,301	S *	10/1996	Kleffman	D26/76
4,363,082	A	12/1982	Roland			D379,295	S *	5/1997	Kopish	D8/349
D272,886	S *	3/1984	Holcombe	D8/380	D398,835	S *	9/1998	Coll et al.	D8/354
D275,450	S *	9/1984	Wegener, II	D8/373	D399,587	S *	10/1998	Compton et al.	D26/76
4,499,529	A	2/1985	Figuroa			5,988,829	A	11/1999	Holder		
4,514,793	A *	4/1985	Andreasen	362/306	D426,338	S	6/2000	Herst et al.		
4,669,033	A	5/1987	Lee			6,257,735	B1	7/2001	Baar		
4,674,016	A	6/1987	Gallagher			6,354,055	B1 *	3/2002	Shaw et al.	52/712
D292,619	S *	11/1987	Chen	D26/141	6,578,983	B2	6/2003	Holten		
4,719,546	A	1/1988	Spitz			6,585,396	B1	7/2003	Verfuert		
4,814,954	A *	3/1989	Spitz	362/217.07	D486,263	S *	2/2004	Grothe et al.	D26/118
4,843,521	A *	6/1989	Plofchan	362/16	6,746,274	B1	6/2004	Verfuert		
4,933,823	A	6/1990	Taylor			6,758,580	B1	7/2004	Verfuert		
D311,596	S *	10/1990	Herst et al.	D26/85	7,018,074	B2 *	3/2006	Raby et al.	362/306
D314,637	S	2/1991	Holcomb			D544,138	S	6/2007	Hargreaves		
5,253,151	A *	10/1993	Mephram et al.	362/216	7,261,435	B2	8/2007	Gould et al.		
D348,746	S *	7/1994	Herst et al.	D26/85	D575,139	S *	8/2008	LePoire et al.	D8/349
D349,358	S *	8/1994	Herst et al.	D26/85	D595,894	S *	7/2009	Verfuert et al.	D26/122
D359,225	S *	6/1995	Reed	D8/354	2003/0072152	A1	4/2003	Southern, Jr.		
D364,478	S *	11/1995	Pesau	D26/76	2004/0136187	A1	7/2004	Plunk et al.		

* cited by examiner

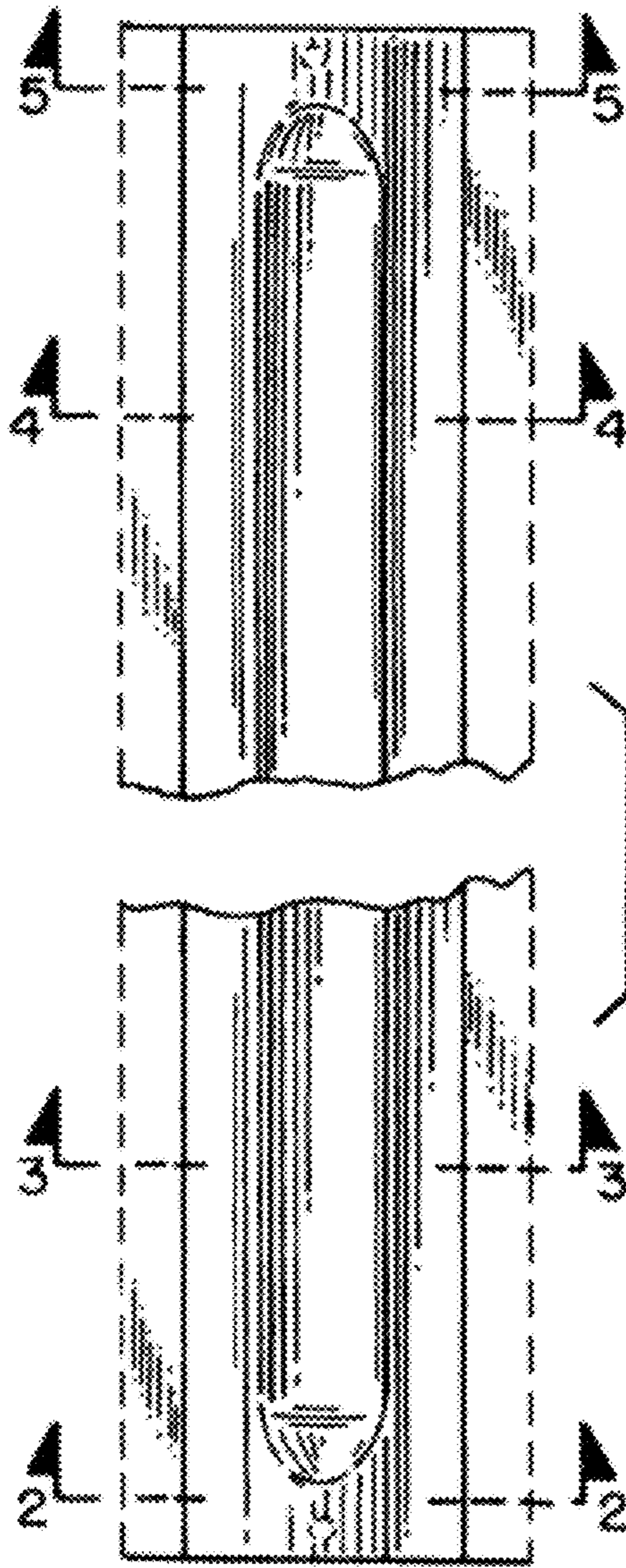


FIG 1

[Amended]



FIG 5



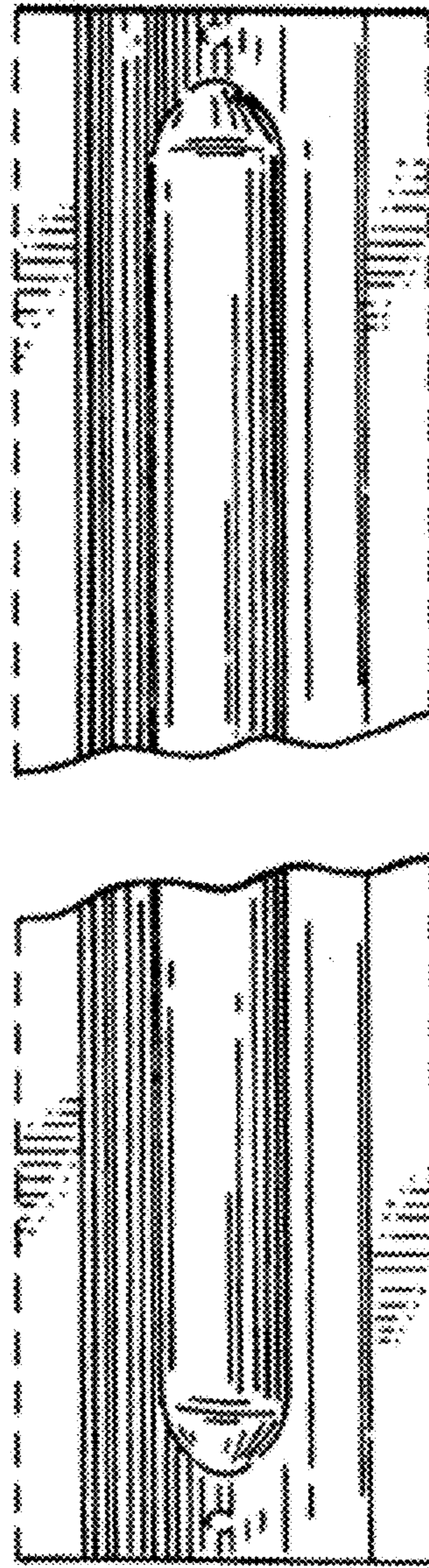
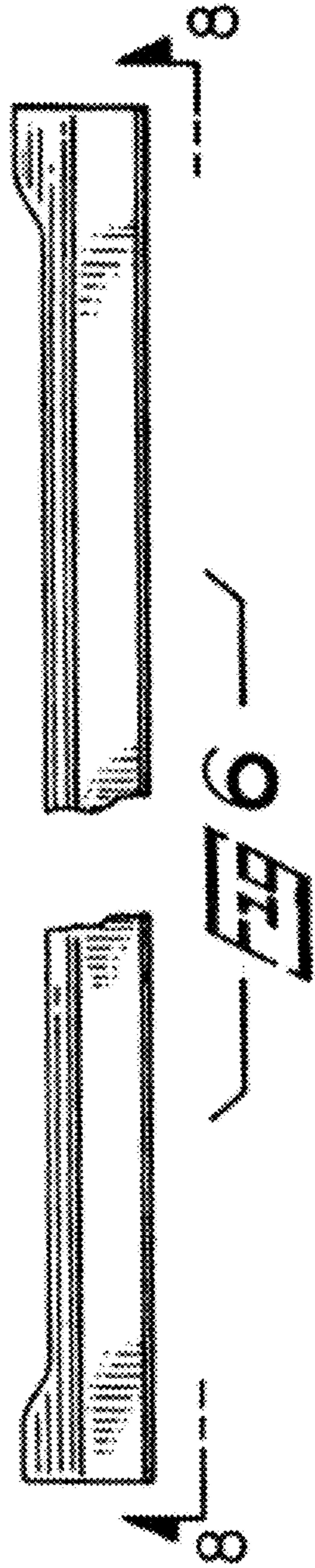
FIG 4



FIG 3



FIG 2



[Amended]

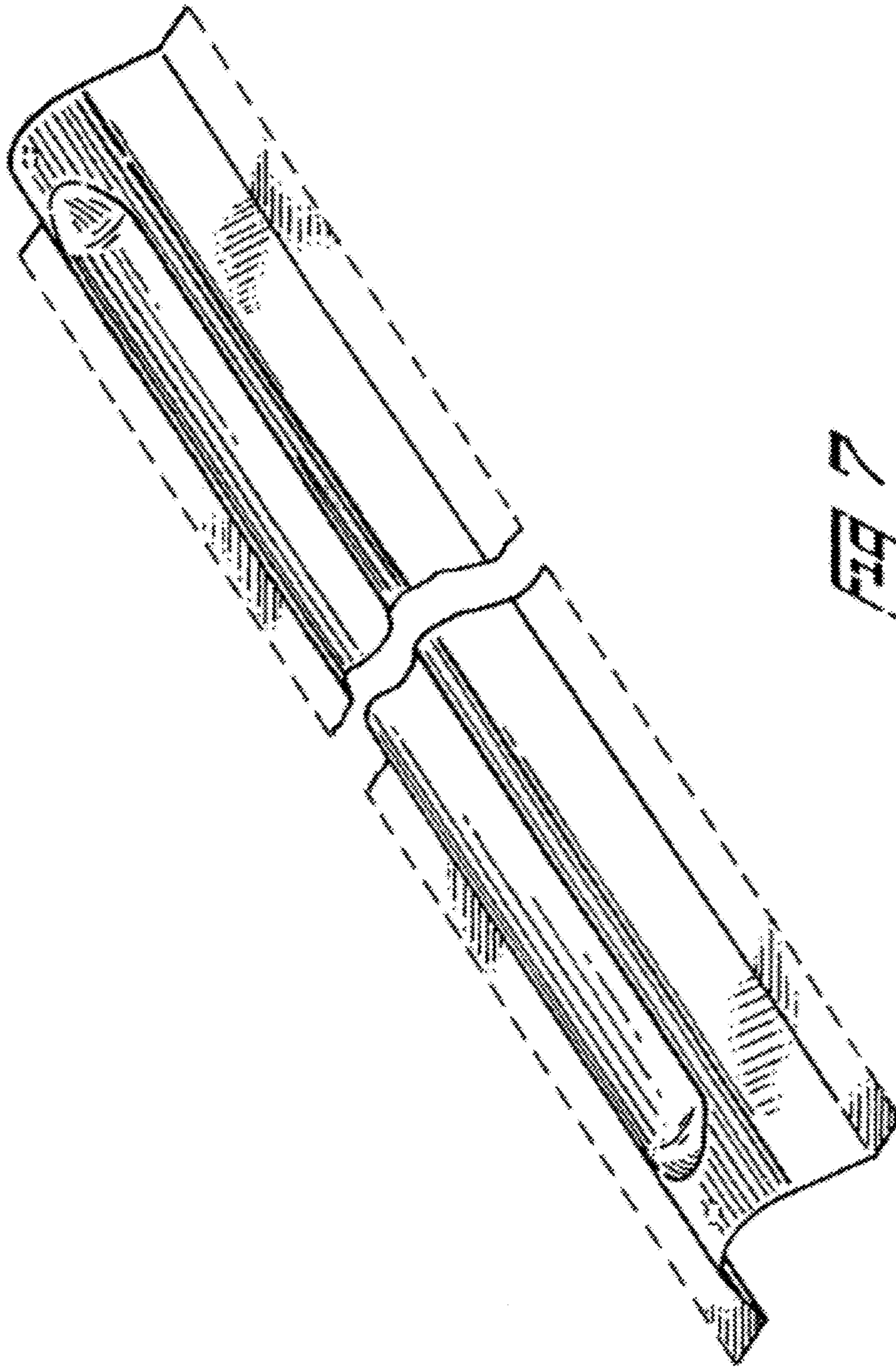


FIG 7

[Amended]