



US00RE43396E

(19) **United States**
(12) **Reissued Patent**
Nielsen

(10) **Patent Number:** **US RE43,396 E**
(45) **Date of Reissued Patent:** **May 22, 2012**

(54) **MULTIMEDIA SYSTEM CONTROLLER TRAY**

(75) Inventor: **Britta Claire Nielsen**, Bellevue, WA (US)

(73) Assignee: **Whalen Furniture Manufacturing, Inc.**, San Diego, CA (US)

(21) Appl. No.: **29/386,461**

(22) Filed: **Mar. 1, 2011**

Related U.S. Patent Documents

Reissue of:

(64) Patent No.: **Des. 596,886**
Issued: **Jul. 28, 2009**
Appl. No.: **29/336,696**
Filed: **May 7, 2009**

(51) **LOC (9) Cl.** **06-02**
(52) **U.S. Cl.** **D6/510**
(58) **Field of Classification Search** D6/510;
206/373, 562, 563, 214, 371; D19/65, 75,
D19/77-78, 81, 83, 86, 91-92, 95, 99, 100;
211/69.1, 69.9, 10-11, 13.1, 45, 50
See application file for complete search history.

(56) **References Cited**

U.S. PATENT DOCUMENTS

D292,220 S * 10/1987 Wen D19/92
D357,034 S * 4/1995 King D19/77
D397,274 S * 8/1998 Hise D7/637
D422,141 S * 4/2000 Dembicks D3/313
D446,063 S * 8/2001 Quinn D6/510
D455,921 S * 4/2002 Quinn D6/510
D472,711 S * 4/2003 Chen D3/313
D490,259 S * 5/2004 Schumann et al. D6/510
D537,633 S * 3/2007 Marnell, II D3/313
D545,500 S * 6/2007 McCambridge D28/74
D547,973 S * 8/2007 Brown et al. D6/476

D563,673 S * 3/2008 Dretzka D3/304
D579,698 S * 11/2008 Nielsen D6/510
D583,599 S * 12/2008 Nielsen D6/510
D584,083 S * 1/2009 Nielsen D6/510
D590,596 S * 4/2009 Dretzka D3/304
D622,532 S * 8/2010 Moore D6/629
D628,825 S * 12/2010 Nielsen D6/407
D628,826 S * 12/2010 Kohler D6/407
D628,827 S * 12/2010 Nielsen D6/407
D634,943 S * 3/2011 Nielsen D6/407
2003/0006156 A1 * 1/2003 McCracken et al. 206/373
2004/0245254 A1 * 12/2004 Rosenberg et al. 220/507

* cited by examiner

Primary Examiner — Kelley Donnelly

(74) *Attorney, Agent, or Firm* — Barlow, Josephs & Holmes, Ltd.

(57) **CLAIM**

An ornamental design for the multimedia system controller tray, as shown and described.

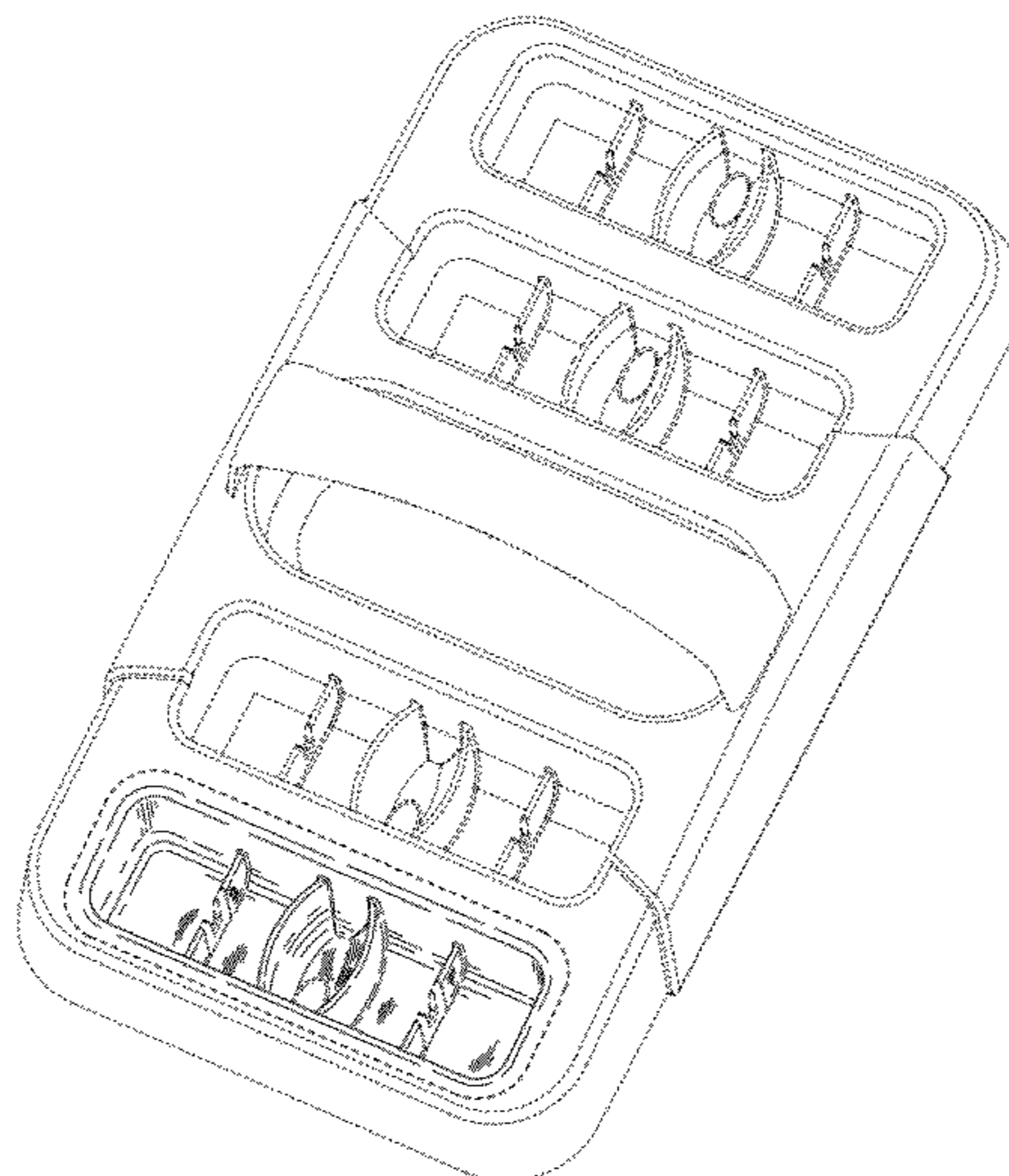
DESCRIPTION

FIG. 1 is a first perspective view of a design for the multimedia system controller tray;
FIG. 2 is a second perspective view of the design therefor;
FIG. 3 is a first end view of the design therefor;
FIG. 4 is a second end view of the design therefor;
FIG. 5 is a side view of the design therefor mirrored on the opposing side;
FIG. 6 is a top plan view of the design therefor; and,
FIG. 7 is a bottom plan view of the design therefor.
The dashed lines in the drawings are shown for environmental purposes and form no part of the claimed design.

1 Claim, 6 Drawing Sheets

Matter enclosed in heavy brackets [] appears in the original patent but forms no part of this reissue; matter printed in italics indicates the additions made by reissue.

Amended



Amended

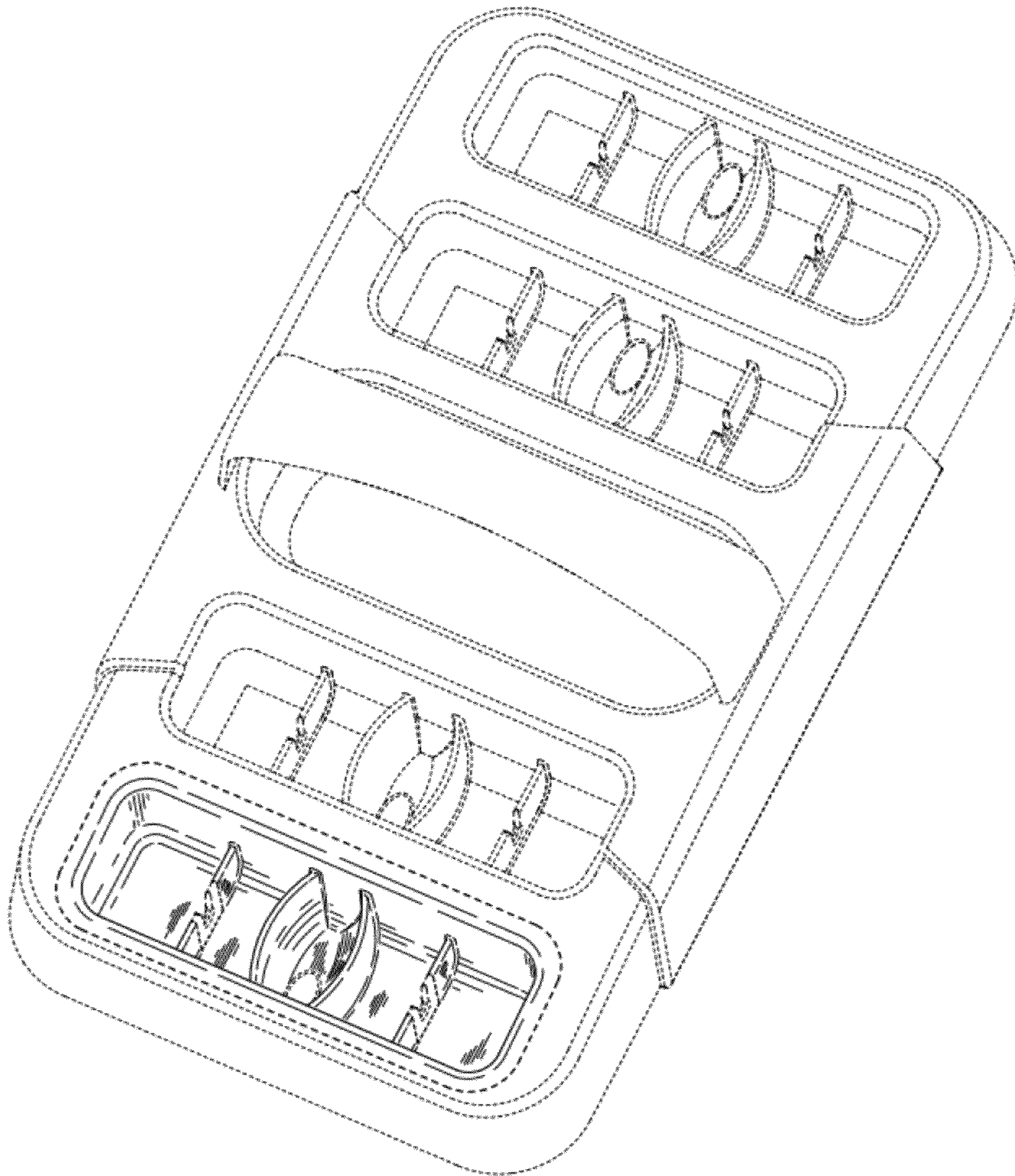


Fig. 1

Amended

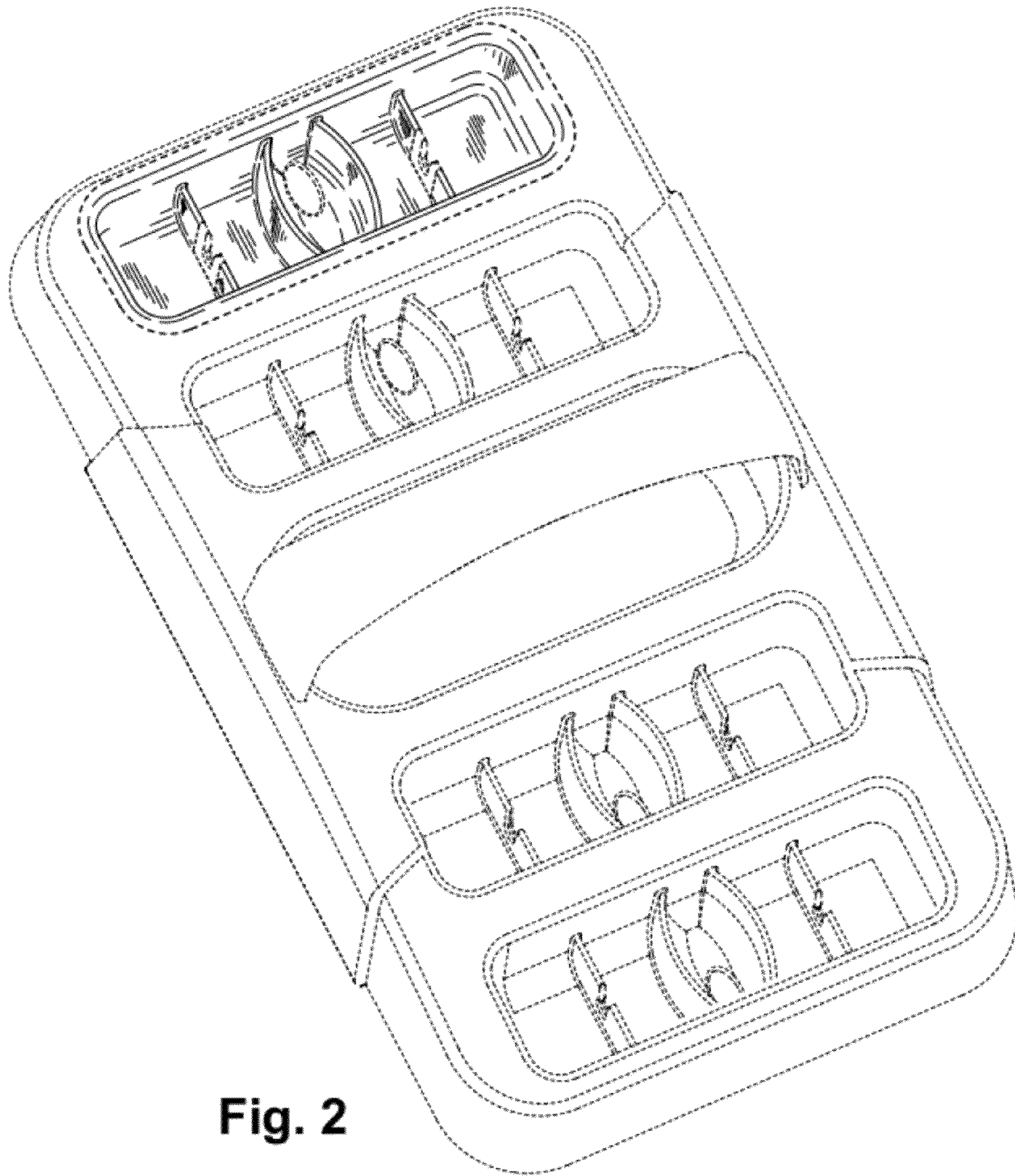


Fig. 2

Amended

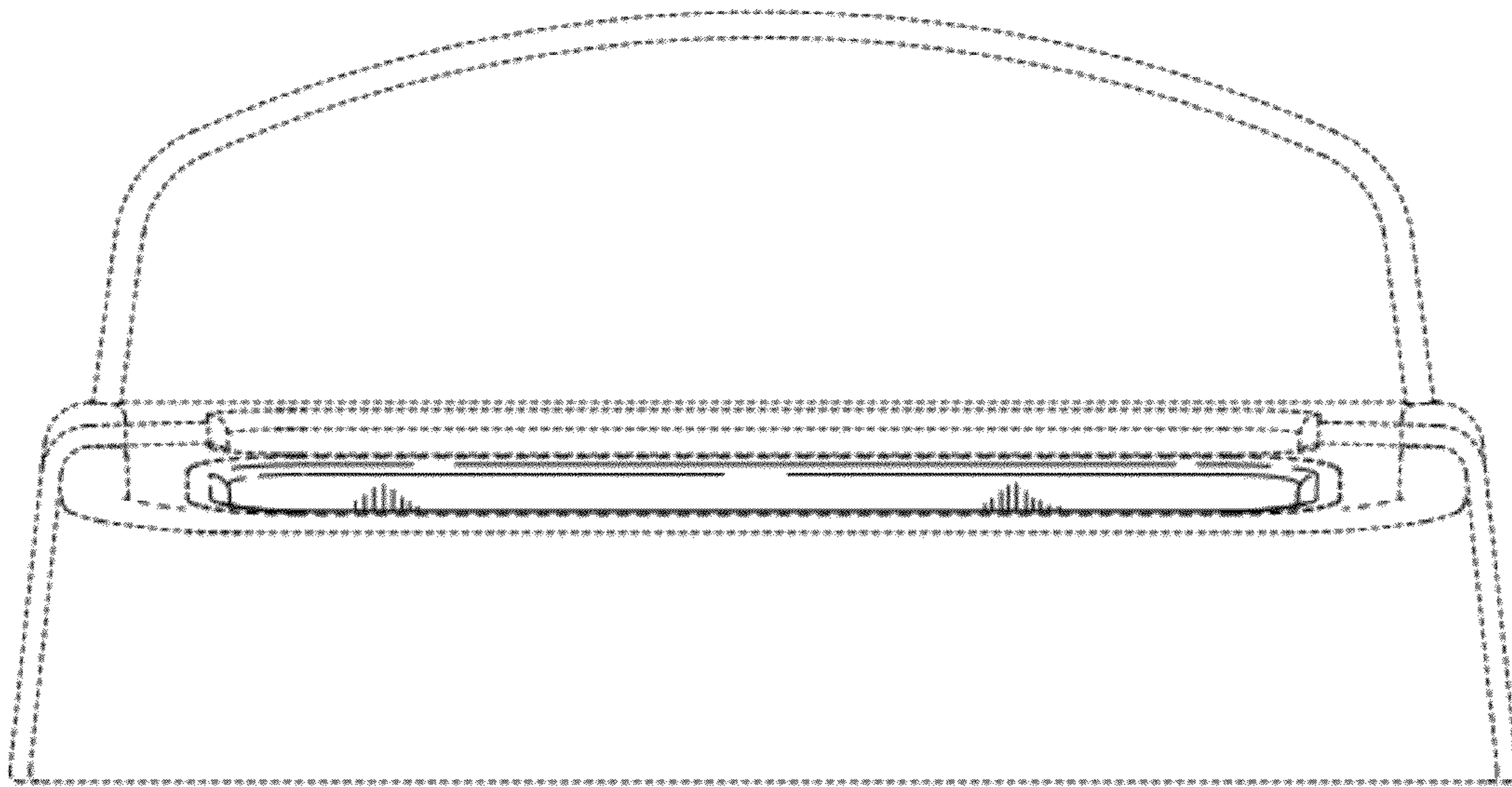


Fig. 3

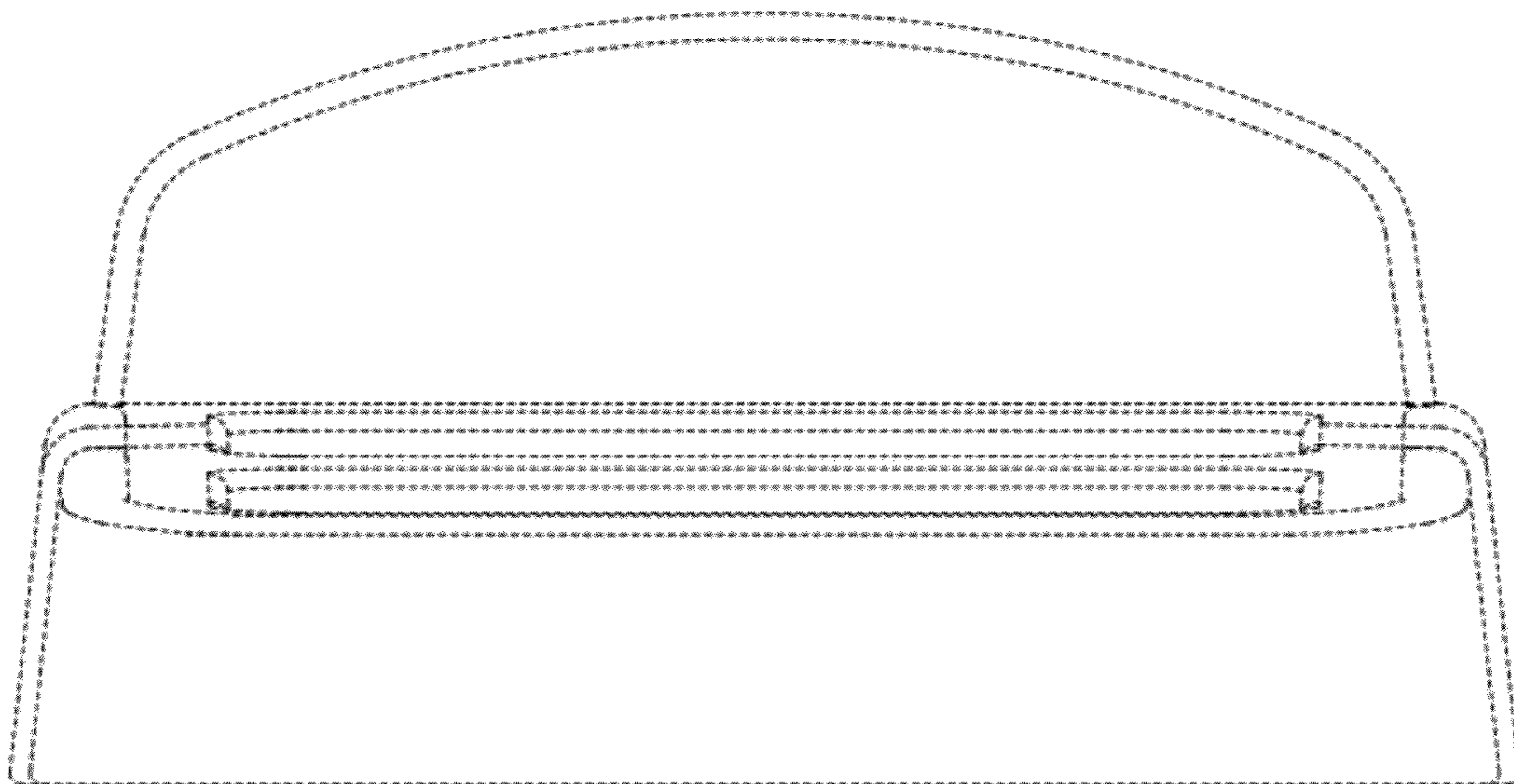


Fig. 4

Amended

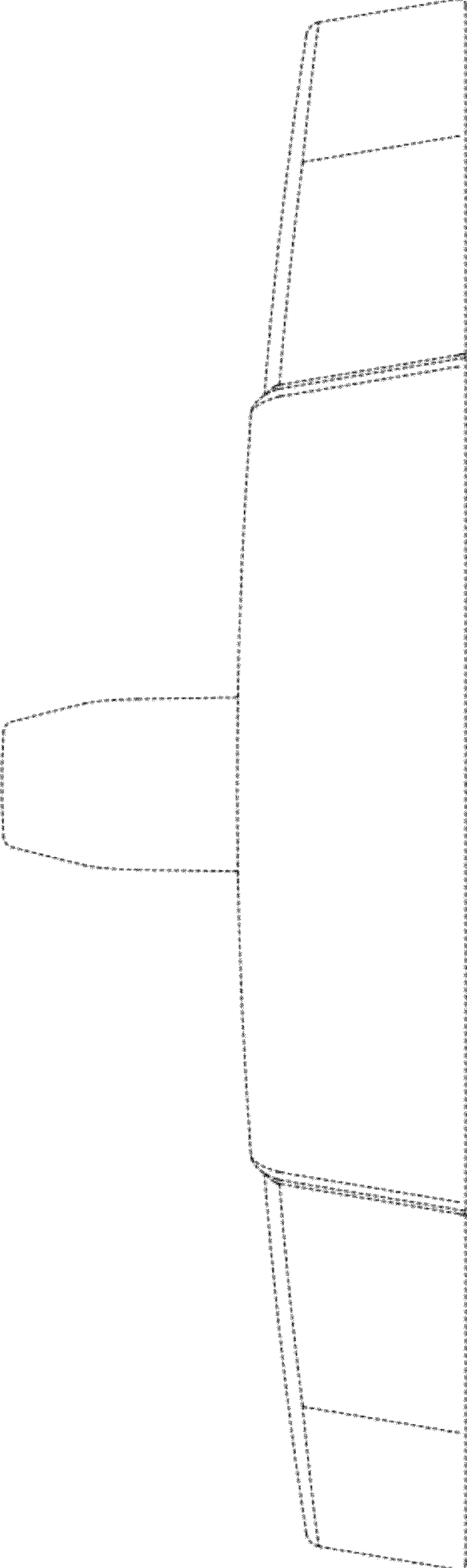


Fig. 5

Amended

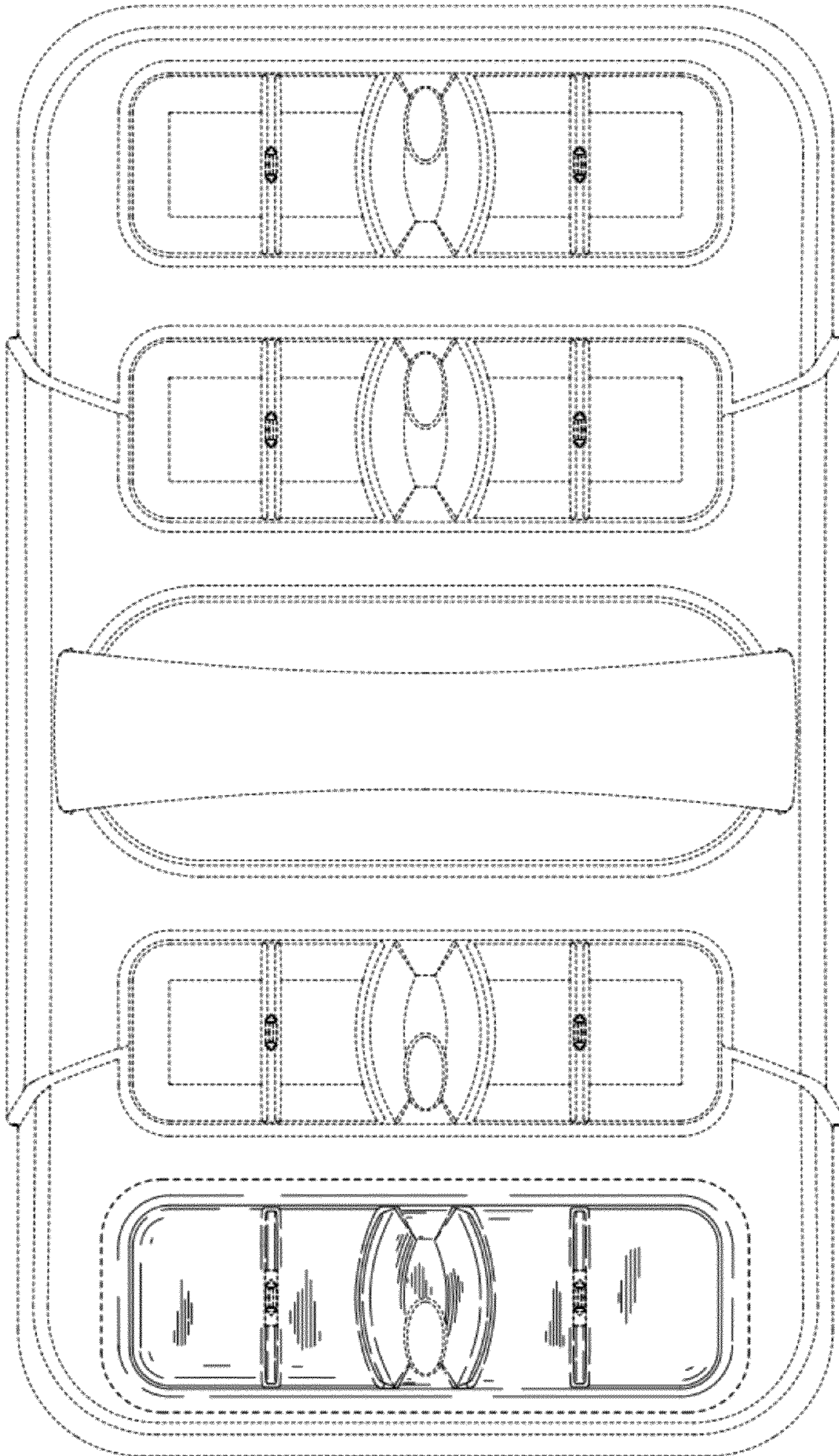


Fig. 6

Amended

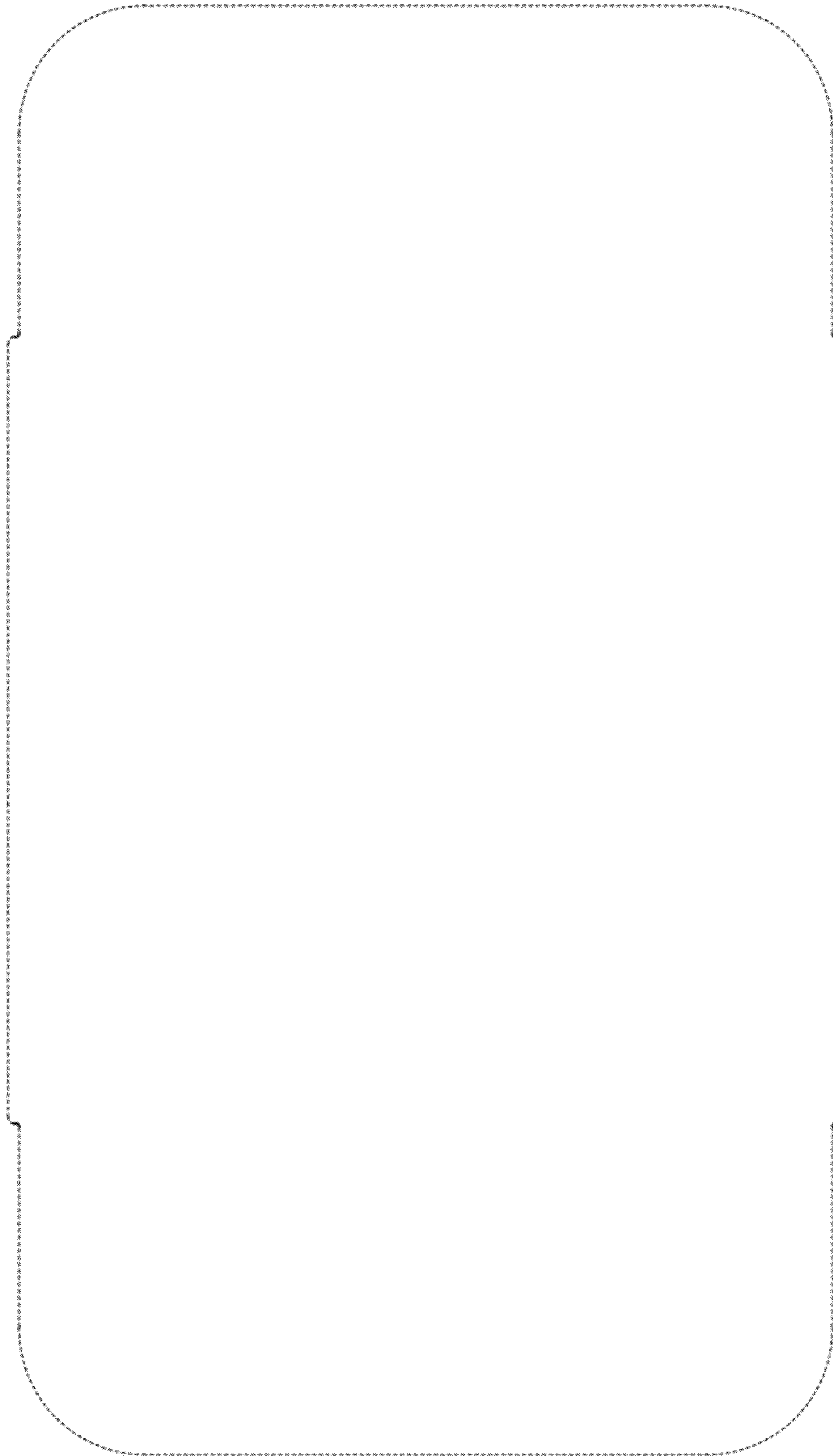


Fig. 7