



US00RE43347E

(19) **United States**
(12) **Reissued Patent**
Grether

(10) **Patent Number:** **US RE43,347 E**
(45) **Date of Reissued Patent:** **May 8, 2012**

(54) **FLOW REGULATOR**
(75) Inventor: **Hermann Grether**, Müllheim (DE)
(73) Assignee: **Neoperl GmbH**, Mullheim (DE)
(21) Appl. No.: **29/329,689**
(22) Filed: **Dec. 19, 2008**

6,354,903	B1	3/2002	Nelson	
6,892,964	B2	5/2005	Grether et al.	
6,902,123	B2	6/2005	Grether et al.	
D516,182	S *	2/2006	Buttgen	D23/249
D526,701	S *	8/2006	Grether	D23/249
7,093,425	B2	8/2006	Jankowski et al.	
D529,140	S *	9/2006	Grether	D23/249
D529,588	S *	10/2006	Grether	D23/249
D536,067	S *	1/2007	Grether	D23/249
D536,069	S *	1/2007	Grether	D23/249
D536,417	S *	2/2007	Buttgen	D23/213
D537,916	S *	3/2007	Buttgen	D23/213
D539,390	S *	3/2007	Grether	D23/249
D539,391	S *	3/2007	Grether	D23/249

Related U.S. Patent Documents

Reissue of:
(64) Patent No.: **Des. 550,814**
Issued: **Sep. 11, 2007**
Appl. No.: **29/261,626**
Filed: **Jun. 15, 2006**

U.S. Applications:
(62) Division of application No. 29/235,236, filed on Jul. 29, 2005, now Pat. No. Des. 529,588.

(30) **Foreign Application Priority Data**

Mar. 21, 2005 (EP) 000330568

(51) **LOC (9) Cl.** **23-01**
(52) **U.S. Cl.** **D23/249**
(58) **Field of Classification Search** D23/213,
D23/241, 242, 244-249, 255, 257, 260, 261;
138/37, 40-43; 239/428.5, 552, 553.3, 553.5;
261/19, DIG. 22
See application file for complete search history.

(56) **References Cited**

U.S. PATENT DOCUMENTS

2,793,016	A	5/1957	Aghnides
2,797,906	A	7/1957	Aghnides
2,849,217	A	8/1958	Bachli et al.
3,363,841	A	1/1968	Aghnides
4,313,564	A	2/1982	Shames et al.
4,971,117	A	11/1990	Hendrickson
5,467,929	A	11/1995	Bosio
D428,114	S	7/2000	Le Bars
6,126,093	A	10/2000	Grether et al.
6,152,182	A	11/2000	Grether et al.

(Continued)

Primary Examiner — Sandra Snapp
(74) *Attorney, Agent, or Firm* — Volpe and Koenig, P.C.

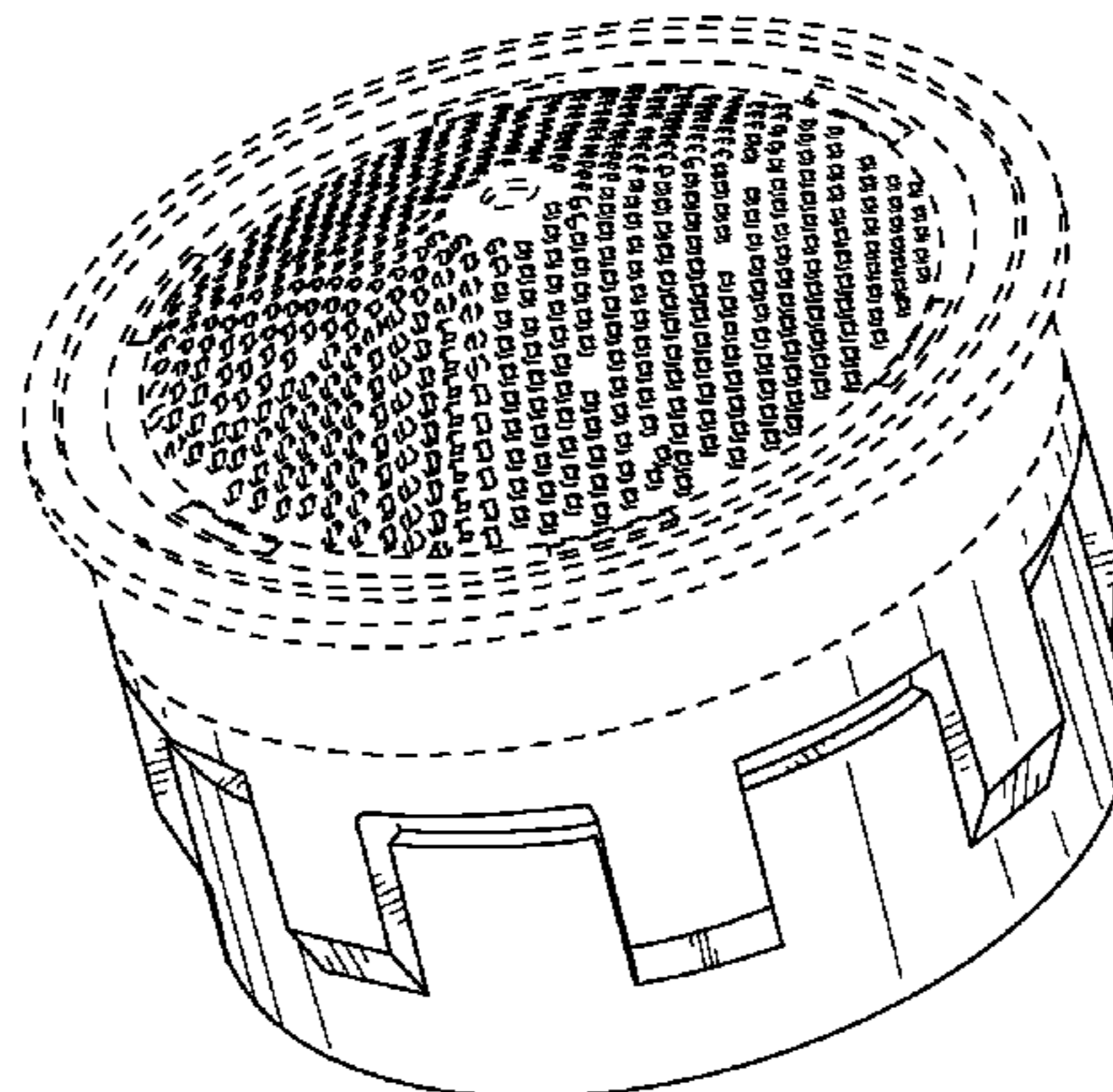
(57) **CLAIM**
The ornamental design for a flow regulator, as shown and described.

DESCRIPTION

FIG. 1 is a top perspective view of a flow regulator showing my new design;
FIG. 2 is a front elevational view of the flow regulator of FIG. 1;
FIG. 3 is a top plan view of the flow regulator of FIG. 1;
FIG. 4 is a side elevational view of the flow regulator of FIG. 1;
FIG. 5 is a back elevational view of the flow regulator of FIG. 1; and,
FIG. 6 is a bottom plan view of the flow regulator of FIG. 1. *The broken lines in the drawings are for illustrative purposes only and form no part of the claimed design.*

1 Claim, 3 Drawing Sheets

Matter enclosed in heavy brackets [] appears in the original patent but forms no part of this reissue; matter printed in italics indicates the additions made by reissue.



(Amended)

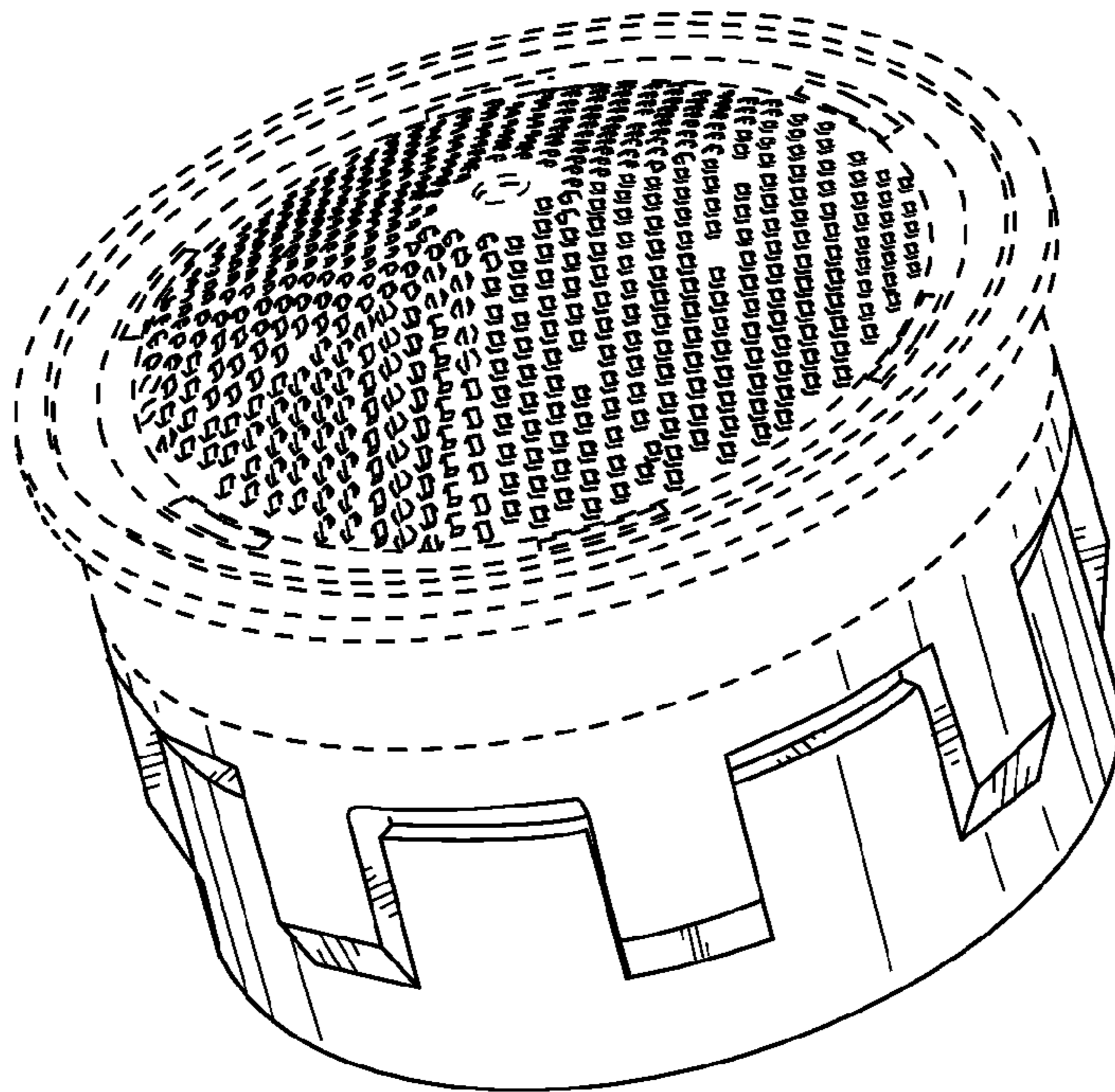


FIG. 1
(Amended)

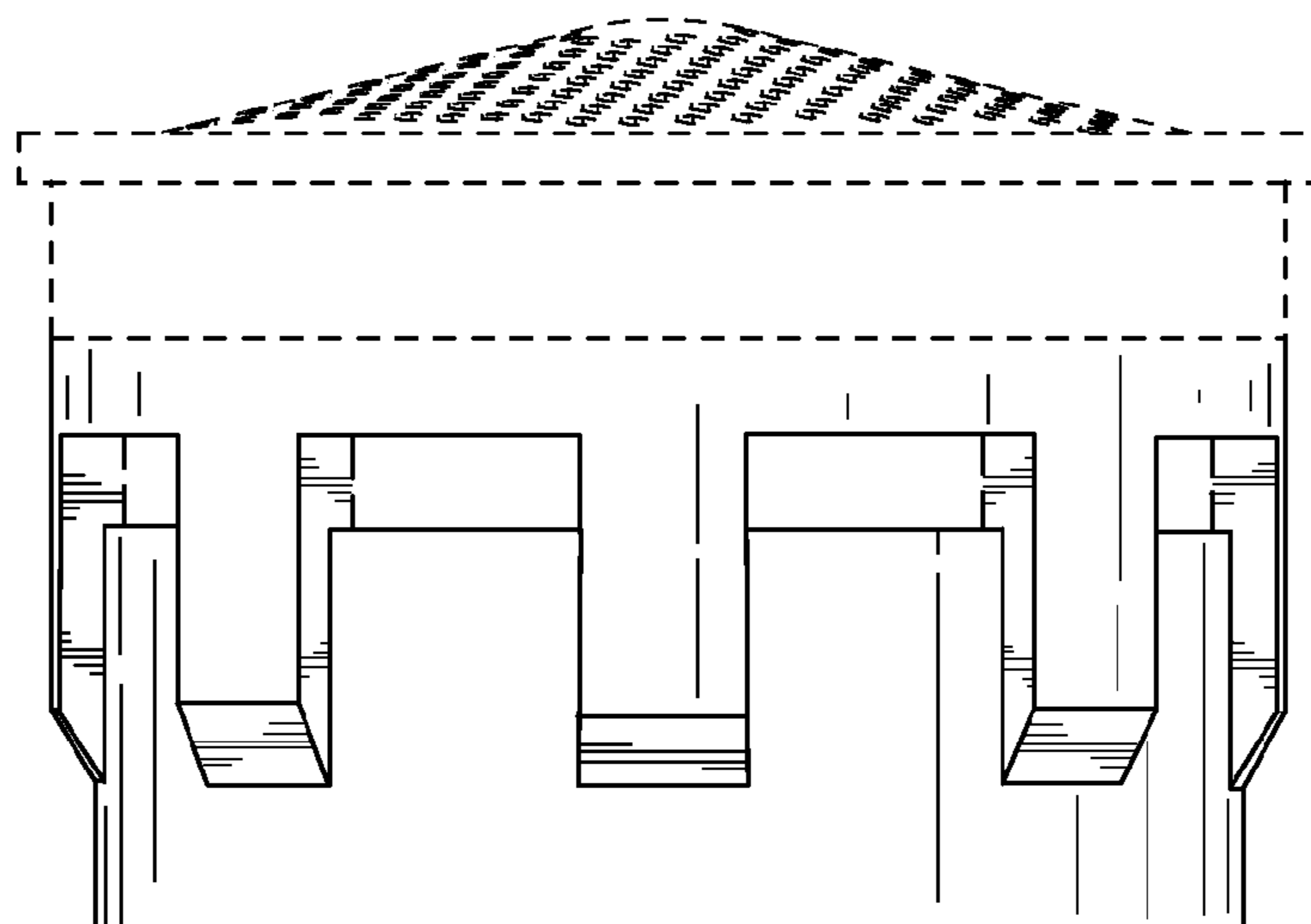


FIG. 2
(Amended)

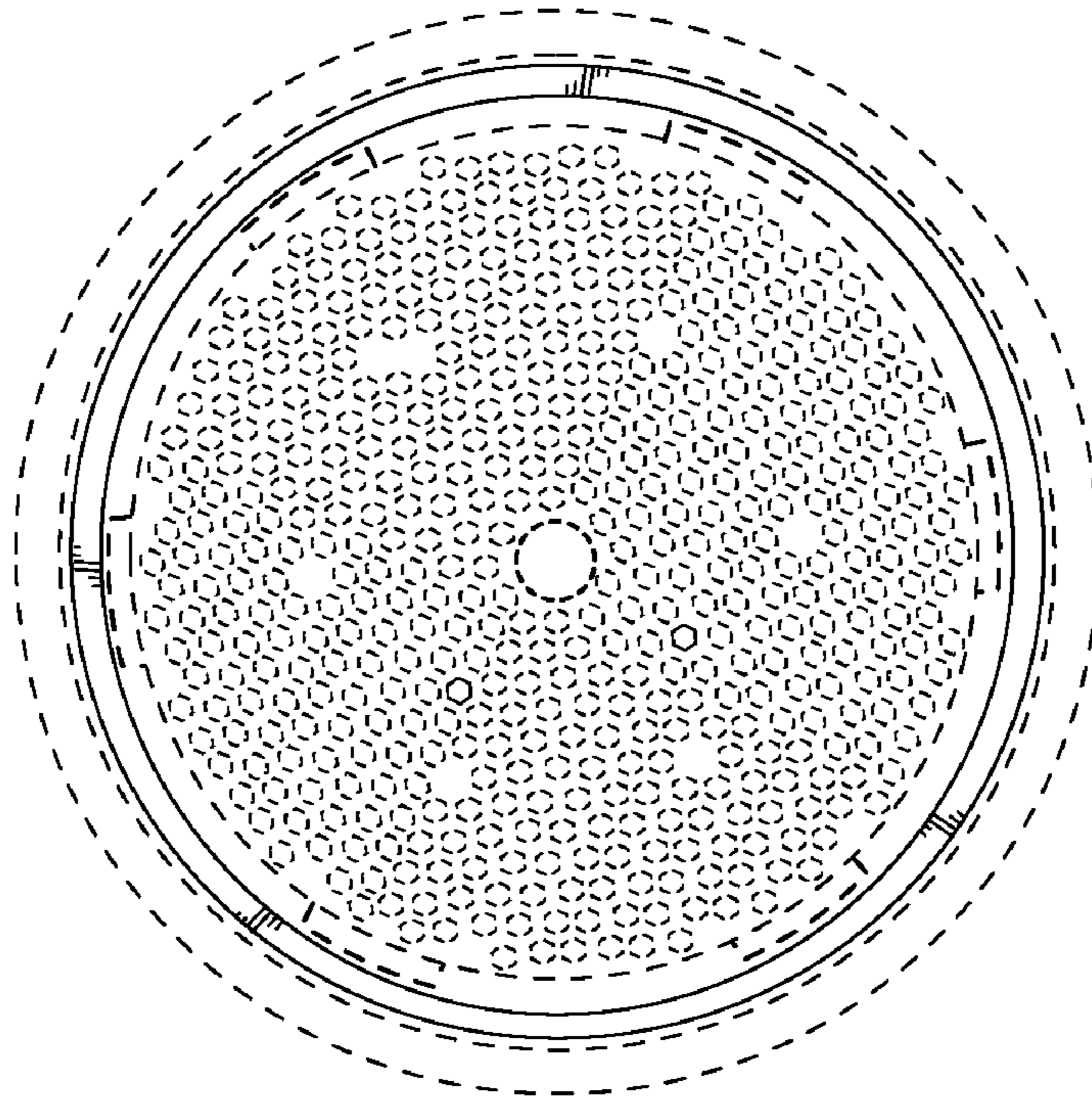


FIG. 3

(Amended)

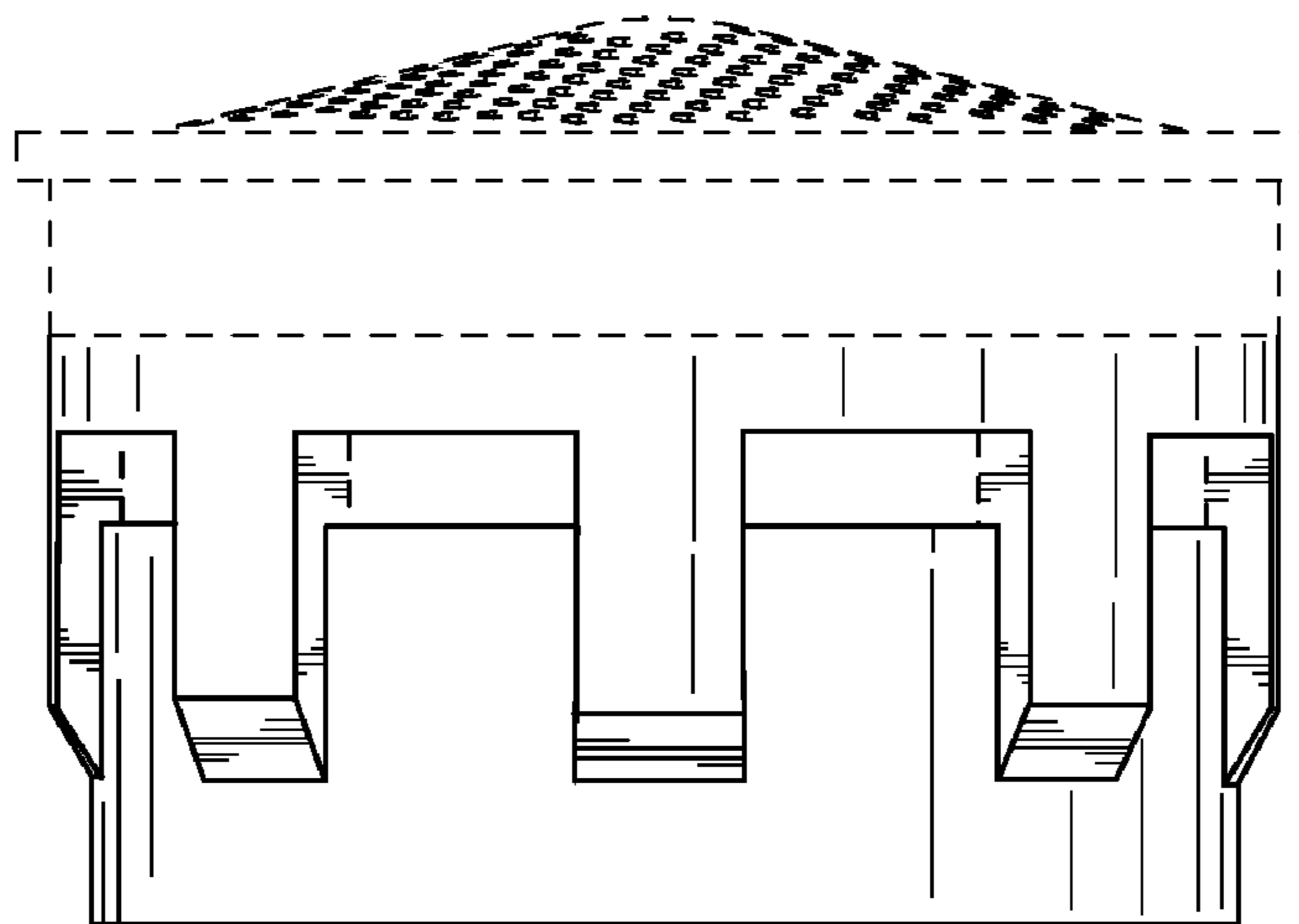


FIG. 4

(Amended)

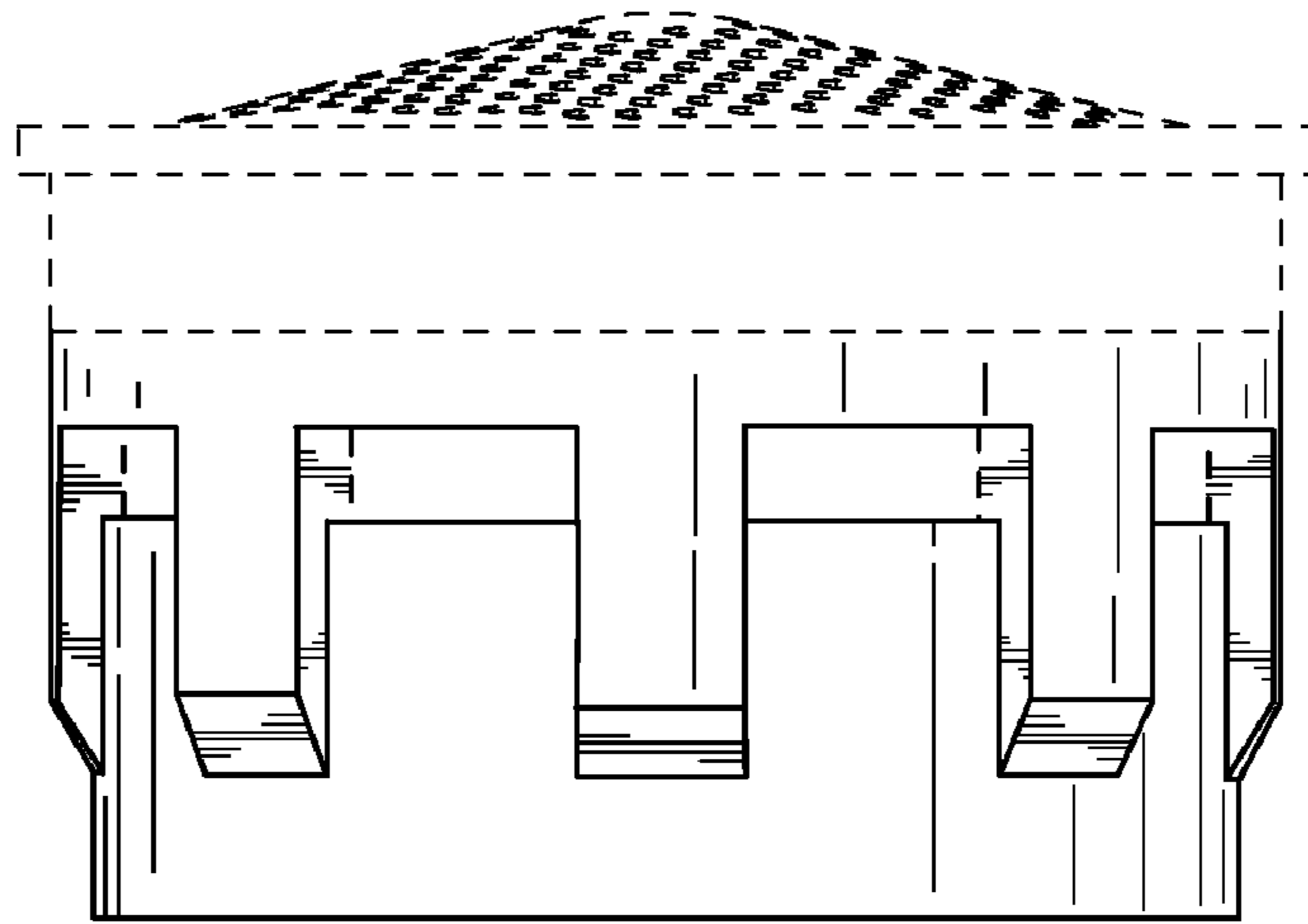


FIG. 5

(Amended)

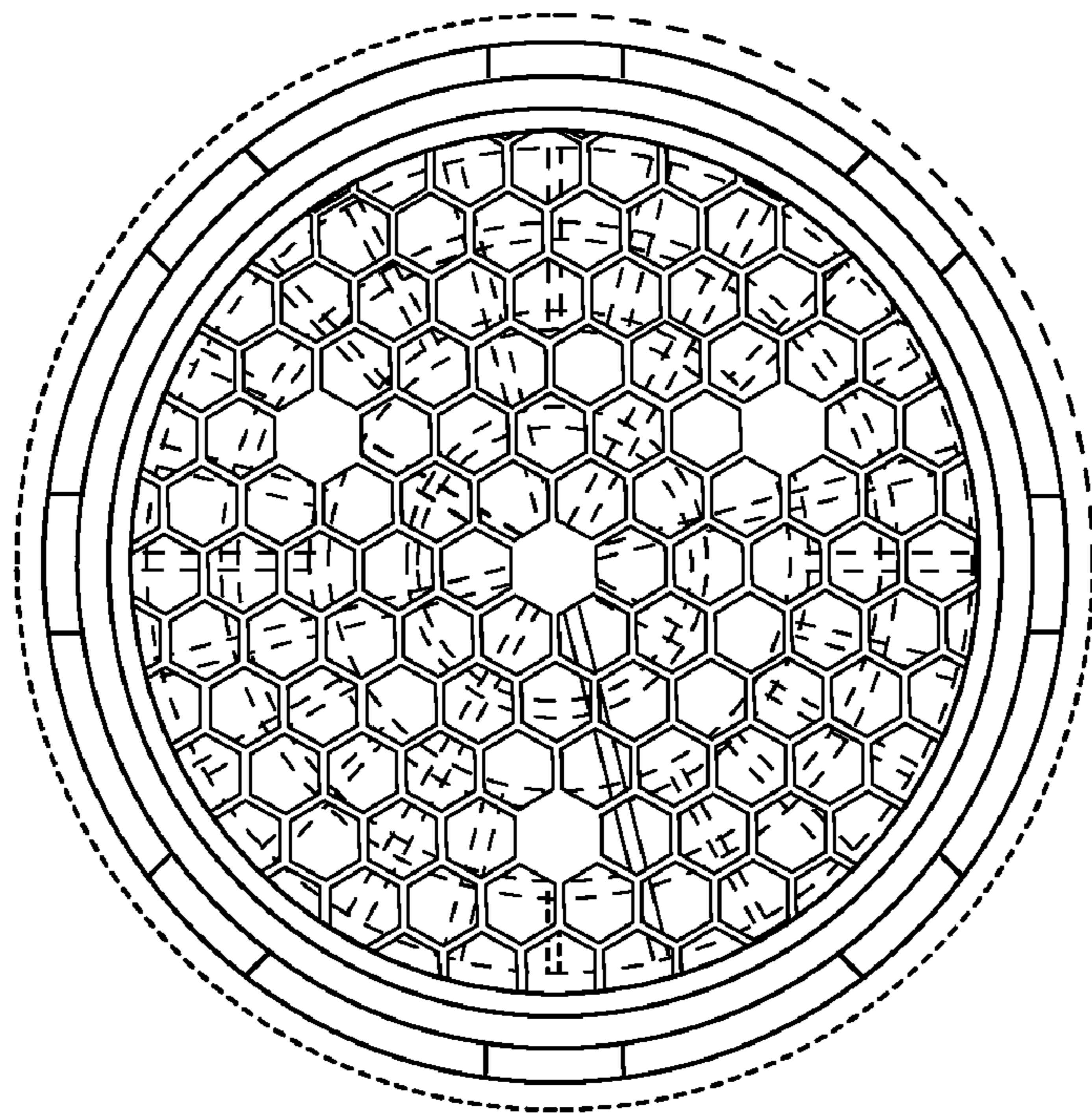


FIG. 6

(Amended)