



US00RE43249E

(19) **United States**  
(12) **Reissued Patent**  
**Ewringmann**

(10) **Patent Number:** **US RE43,249 E**  
(45) **Date of Reissued Patent:** **Mar. 20, 2012**

(54) **ROOF ASSEMBLY FOR ROAD CONSTRUCTION MACHINE**

(75) Inventor: **Ulrich Ewringmann**,  
Taufkirchen-Potzham (DE)

(73) Assignee: **Joseph Vögele AG**, Ludwigshafen (DE)

(21) Appl. No.: **29/312,214**

(22) Filed: **Jul. 8, 2008**

**Related U.S. Patent Documents**

Reissue of:

(64) Patent No.: **Des. 554,158**  
Issued: **Oct. 30, 2007**  
Appl. No.: **29/269,037**  
Filed: **Nov. 16, 2006**

(30) **Foreign Application Priority Data**

May 16, 2006 (EM) ..... 000539432

(51) **LOC (9) Cl.** ..... **15-03**

(52) **U.S. Cl.** ..... **D15/30**

(58) **Field of Classification Search** ..... D15/10,  
D15/17, 22-26, 28, 30, 33; D34/37; 296/102,  
296/215, 224, 225, 187.1, 210, 187.11, 187.12,  
296/187.13, 193.12, 190.01, 190.08, 216.02;  
135/88.01; 49/501

See application file for complete search history.

(56) **References Cited**

**U.S. PATENT DOCUMENTS**

D184,043 S \* 12/1958 Dodge ..... D15/30  
D210,658 S \* 4/1968 Lazzeroni ..... D15/30  
3,561,816 A \* 2/1971 Koch ..... 296/102  
3,712,664 A \* 1/1973 May ..... 296/102  
D230,297 S \* 2/1974 Purcell et al. .... D15/30  
D275,199 S \* 8/1984 Schmidt et al. .... D15/30

(Continued)

*Primary Examiner* — Mark Goodwin

(74) *Attorney, Agent, or Firm* — Fish & Richardson P.C.

(57) **CLAIM**

The ornamental design for a roof assembly for road construction machine, as shown and described.

**DESCRIPTION**

FIG. 1 is a perspective view of a roof assembly for road construction machine showing my new design in a closed wing configuration;

FIG. 2 is a left elevation view of the roof assembly for road construction machine of FIG. 1;

FIG. 3 is a front elevation view of the roof assembly for road construction machine of FIG. 1;

FIG. 4 is a right elevation view of the roof assembly for road construction machine of FIG. 1;

FIG. 5 is a top plan view of the roof assembly for road construction machine of FIG. 1;

FIG. 6 is a bottom plan view of the roof assembly for road construction machine of FIG. 1;

FIG. 7 is a rear elevation view of the roof assembly for road construction machine of FIG. 1;

FIG. 8 is a perspective view of a roof assembly for road construction machine showing my new design in an open wing configuration;

FIG. 9 is a left elevation view of the roof assembly for road construction machine of FIG. 8;

FIG. 10 is a front elevation view of the roof assembly for road construction machine of FIG. 8;

FIG. 11 is a right elevation view of the roof assembly for road construction machine of FIG. 8;

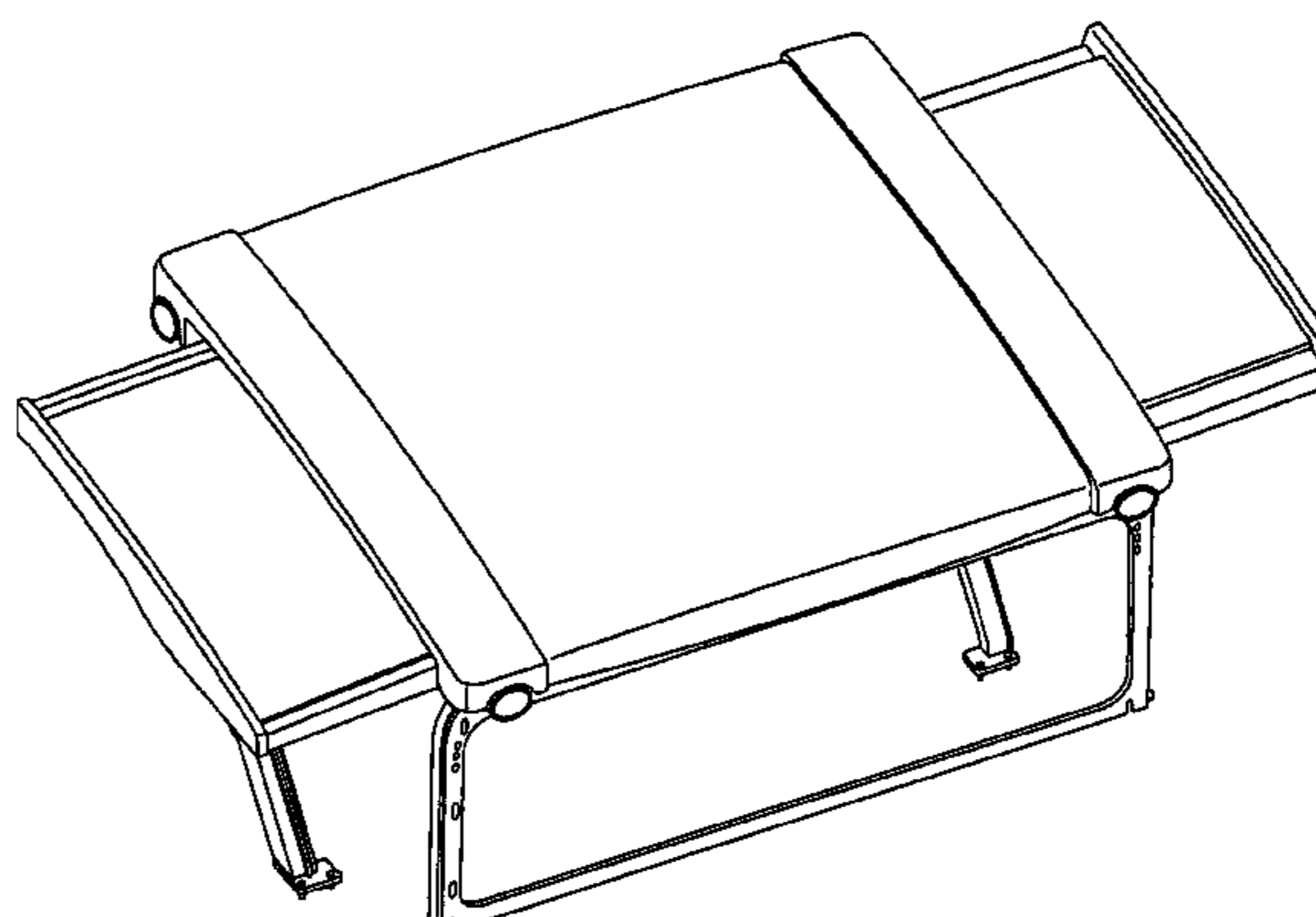
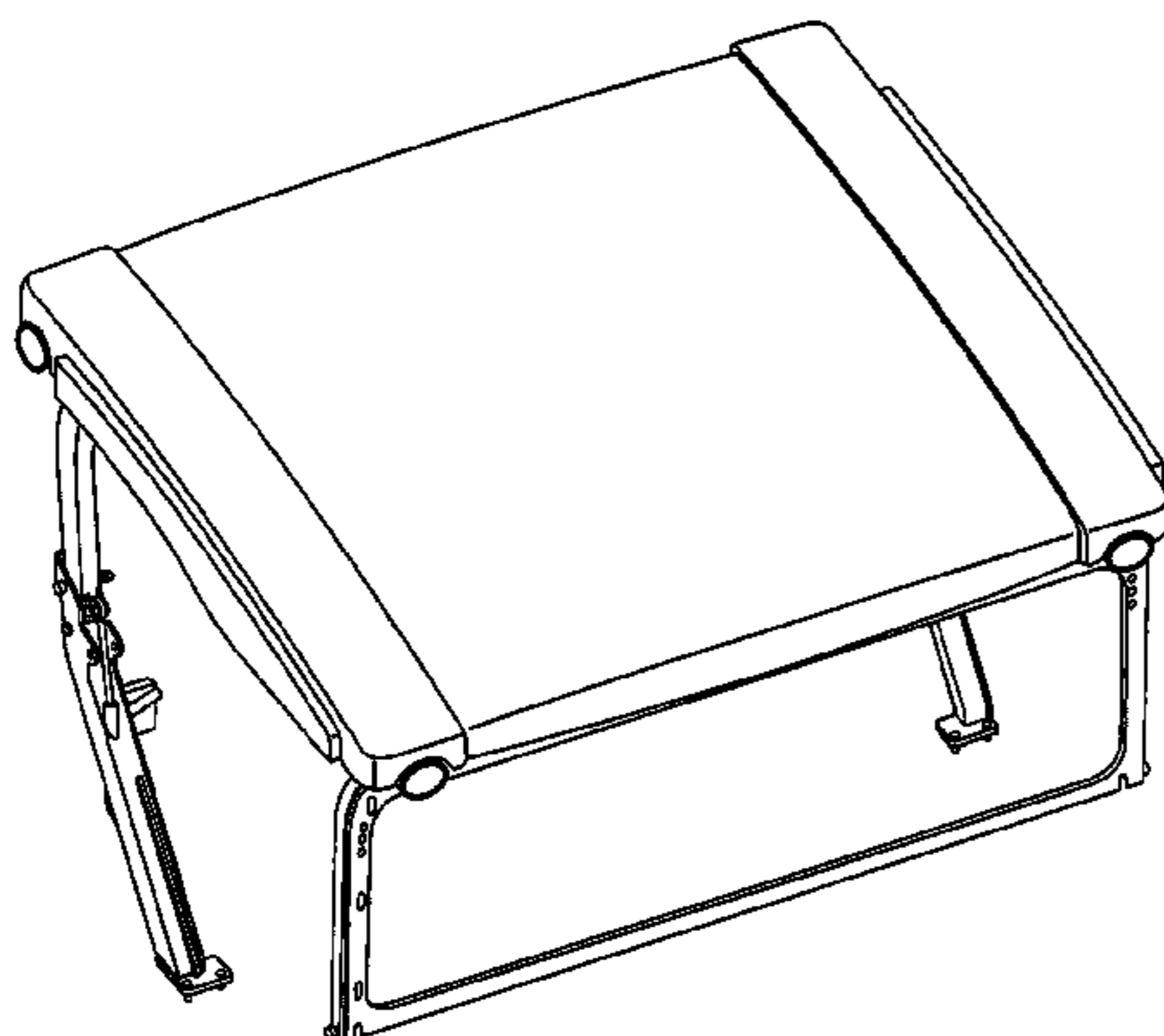
FIG. 12 is a top plan view of the roof assembly for road construction machine of FIG. 8;

FIG. 13 is a bottom plan view of the roof assembly for road construction machine of FIG. 8; and,

FIG. 14 is a rear elevation view of the roof assembly for road construction machine of FIG. 8.

**1 Claim, 8 Drawing Sheets**

**Matter enclosed in heavy brackets [ ] appears in the original patent but forms no part of this reissue; matter printed in italics indicates the additions made by reissue.**



# US RE43,249 E

Page 2

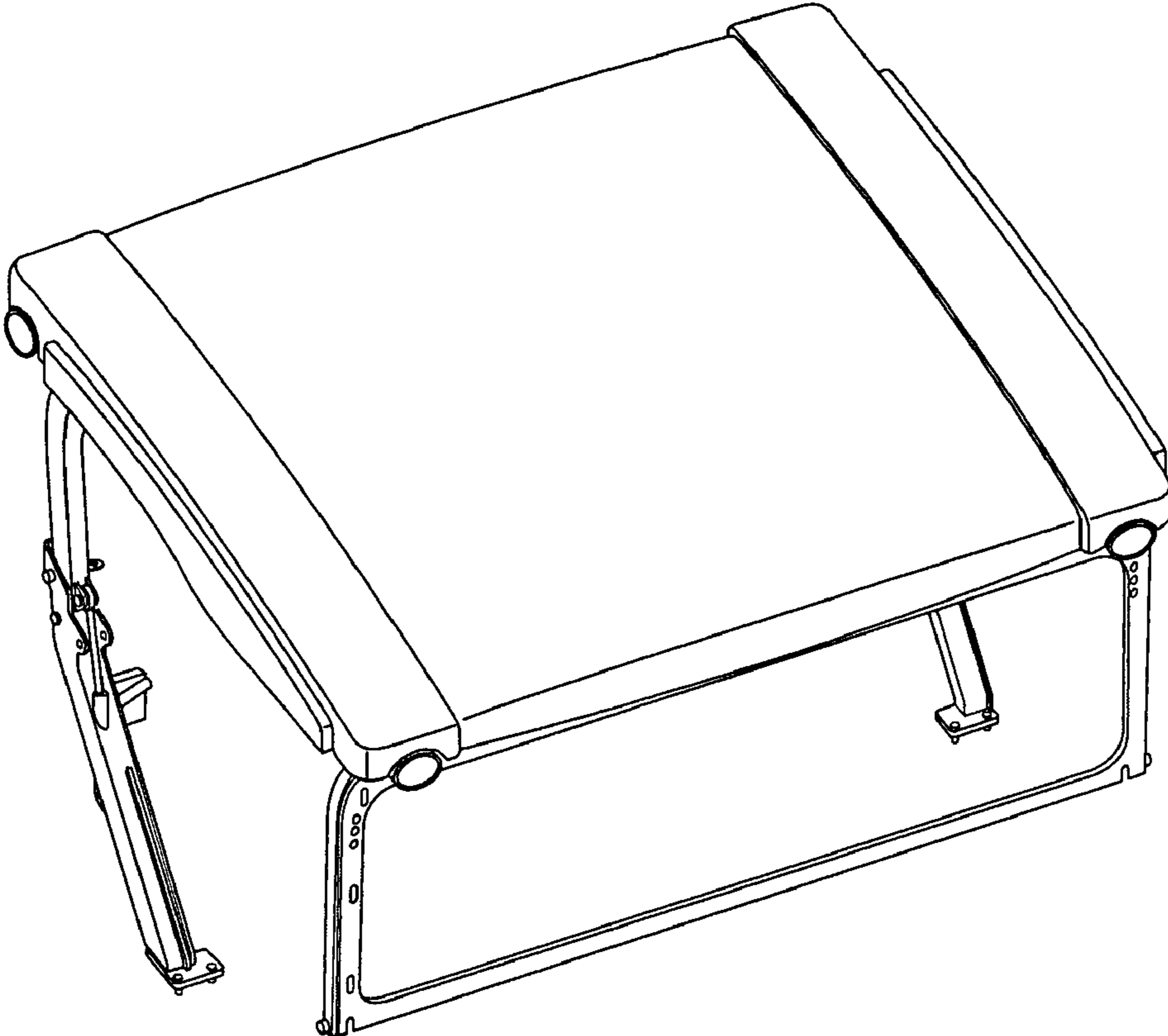
---

## U.S. PATENT DOCUMENTS

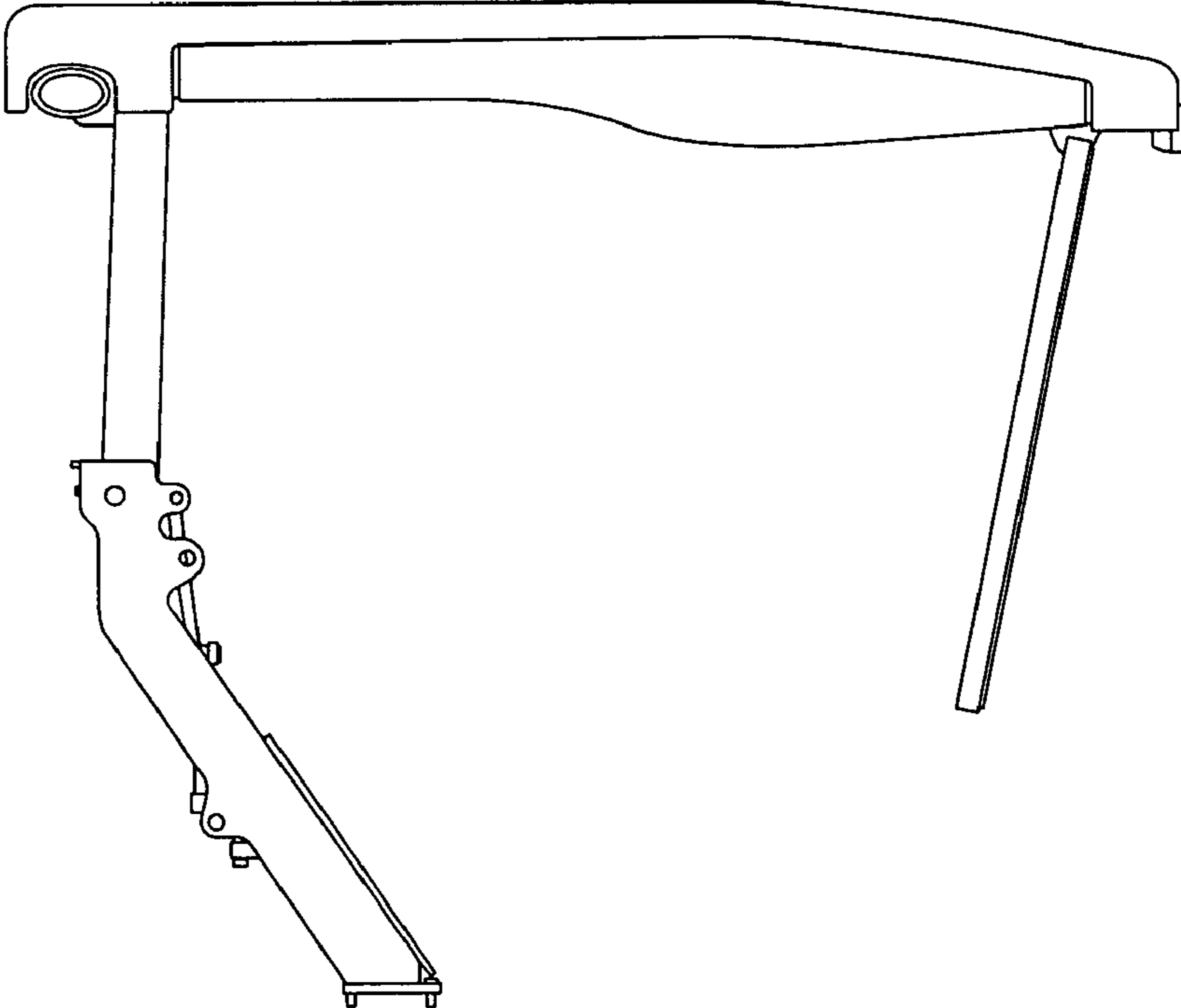
4,721,031	A *	1/1988	Nakata et al. ....	454/121	5,695,238	A *	12/1997	Calamari et al. ....	296/210
D306,450	S *	3/1990	Funabashi et al. ....	D15/30	6,189,955	B1 *	2/2001	Fryk et al. ....	296/190.08
D317,011	S *	5/1991	Boddin et al. ....	D15/30	6,688,682	B2 *	2/2004	Arthur et al. ....	296/216.02
D329,435	S *	9/1992	Kato et al. ....	D15/23	D507,281	S *	7/2005	Komatsu et al. ....	D15/30
D348,553	S *	7/1994	Martin, Jr. ....	D34/37	D507,800	S *	7/2005	Kuwae et al. ....	D15/30

\* cited by examiner

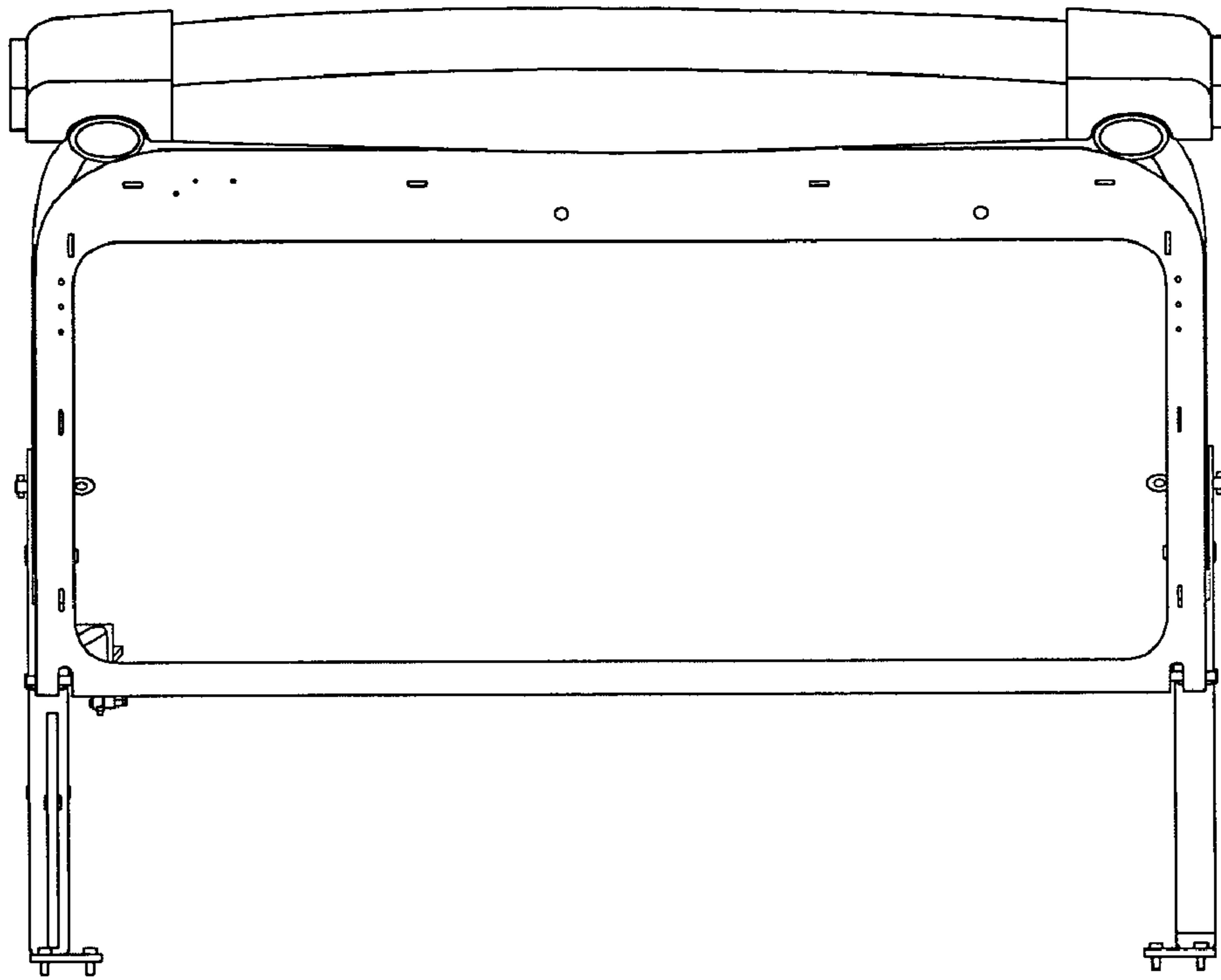
**FIG. 1**



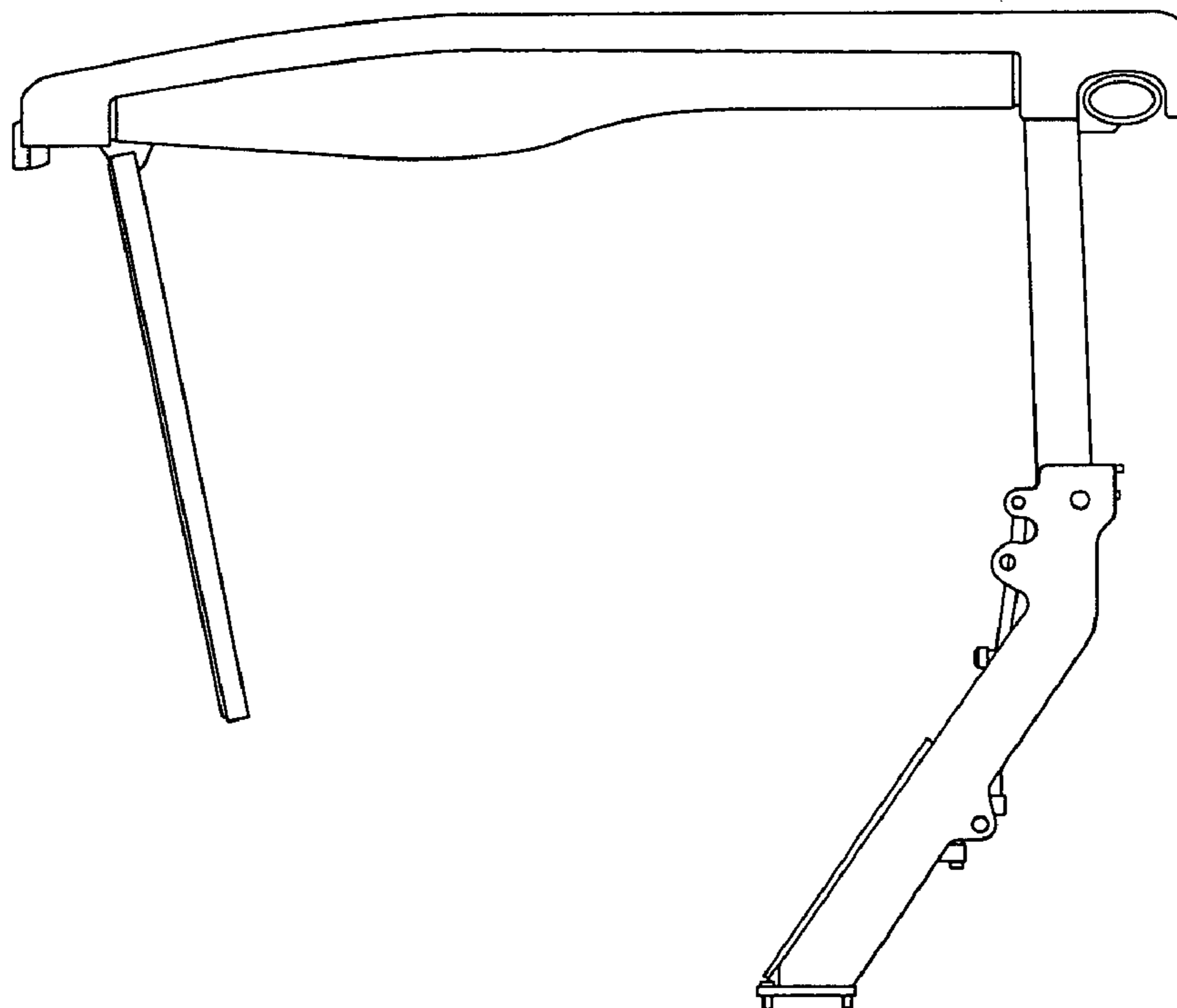
**FIG. 2**



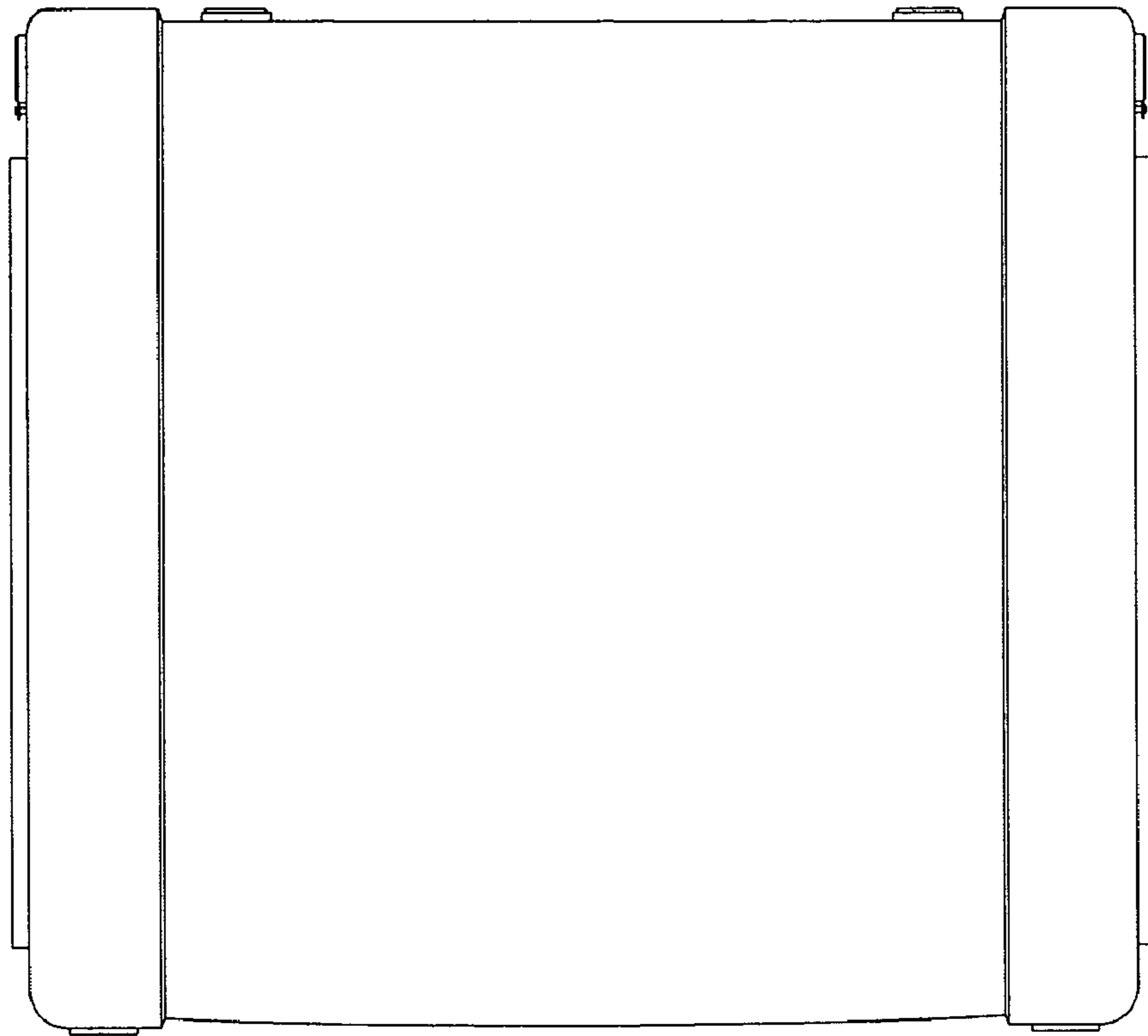
**Fig. 3**



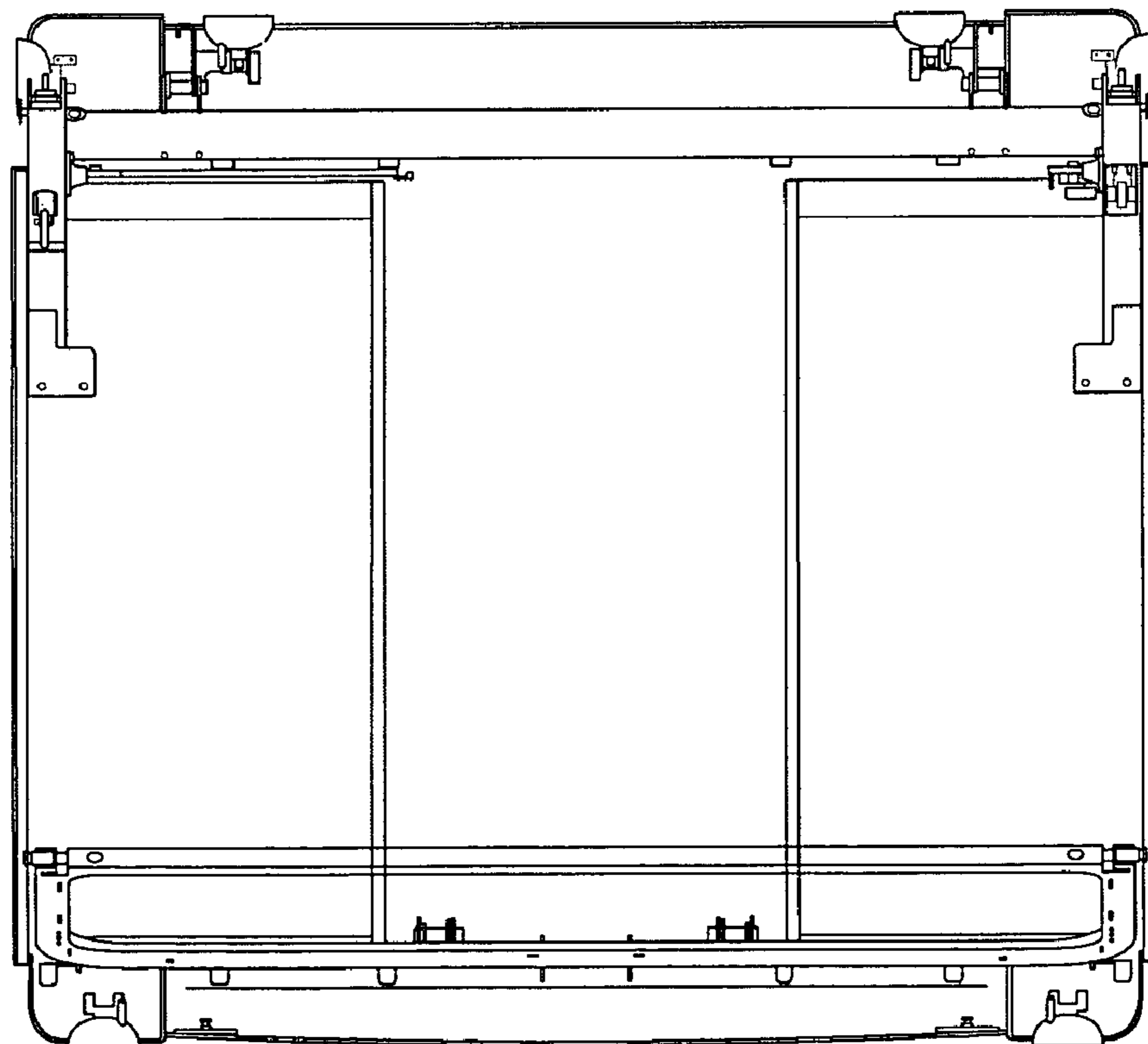
**Fig. 4**



**Fig. 5**



**Fig. 6**



**FIG. 7**

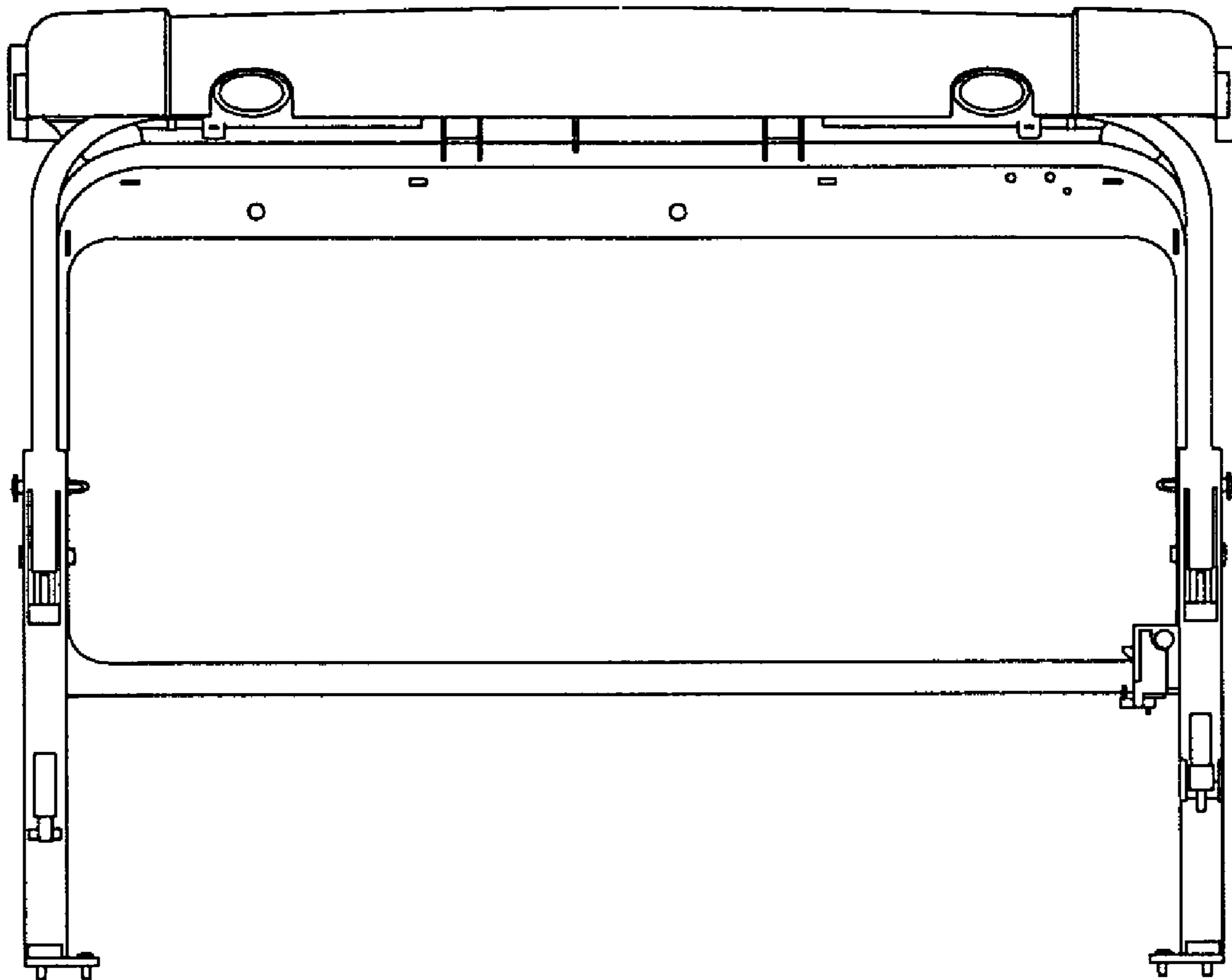


FIG. 8

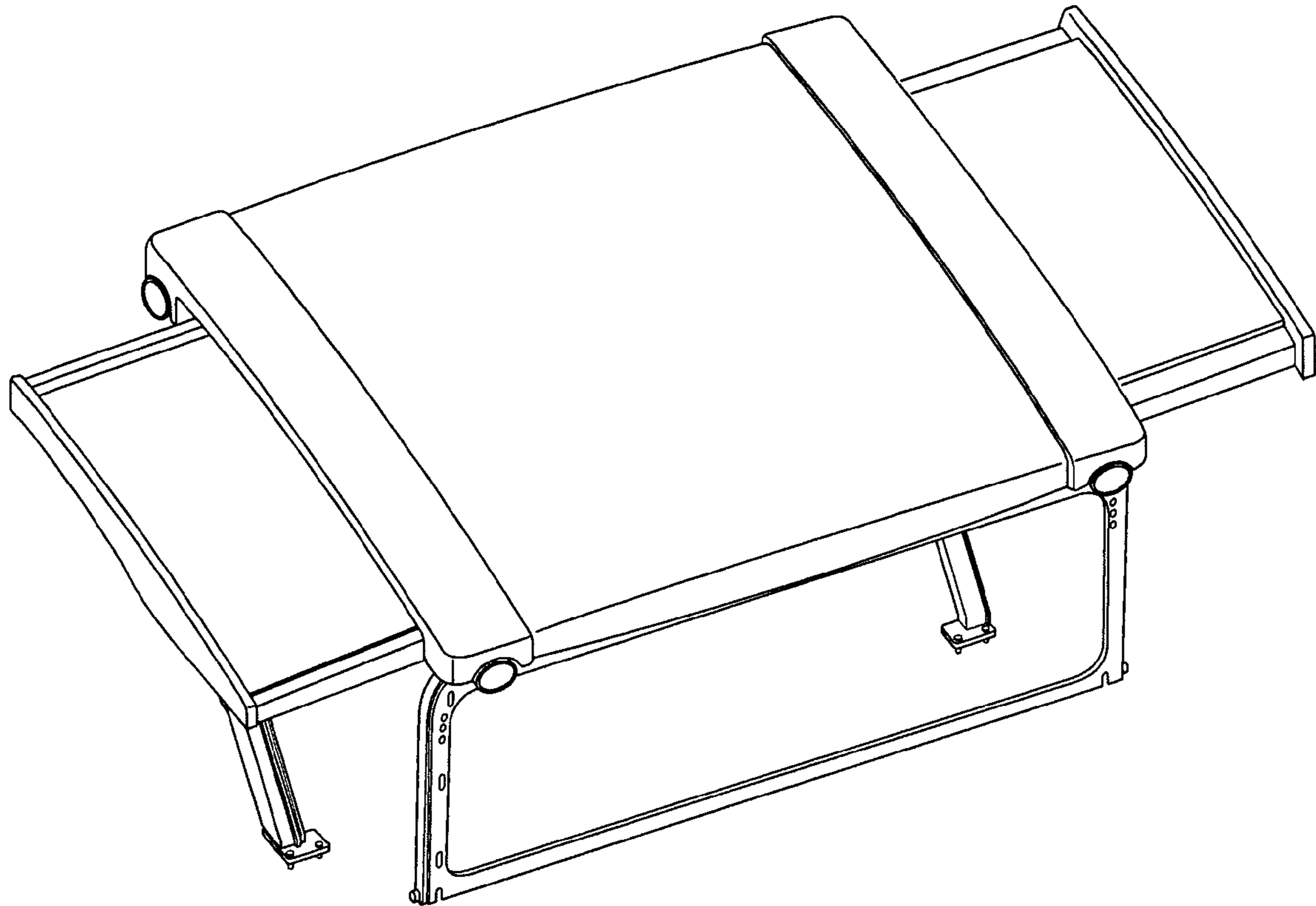
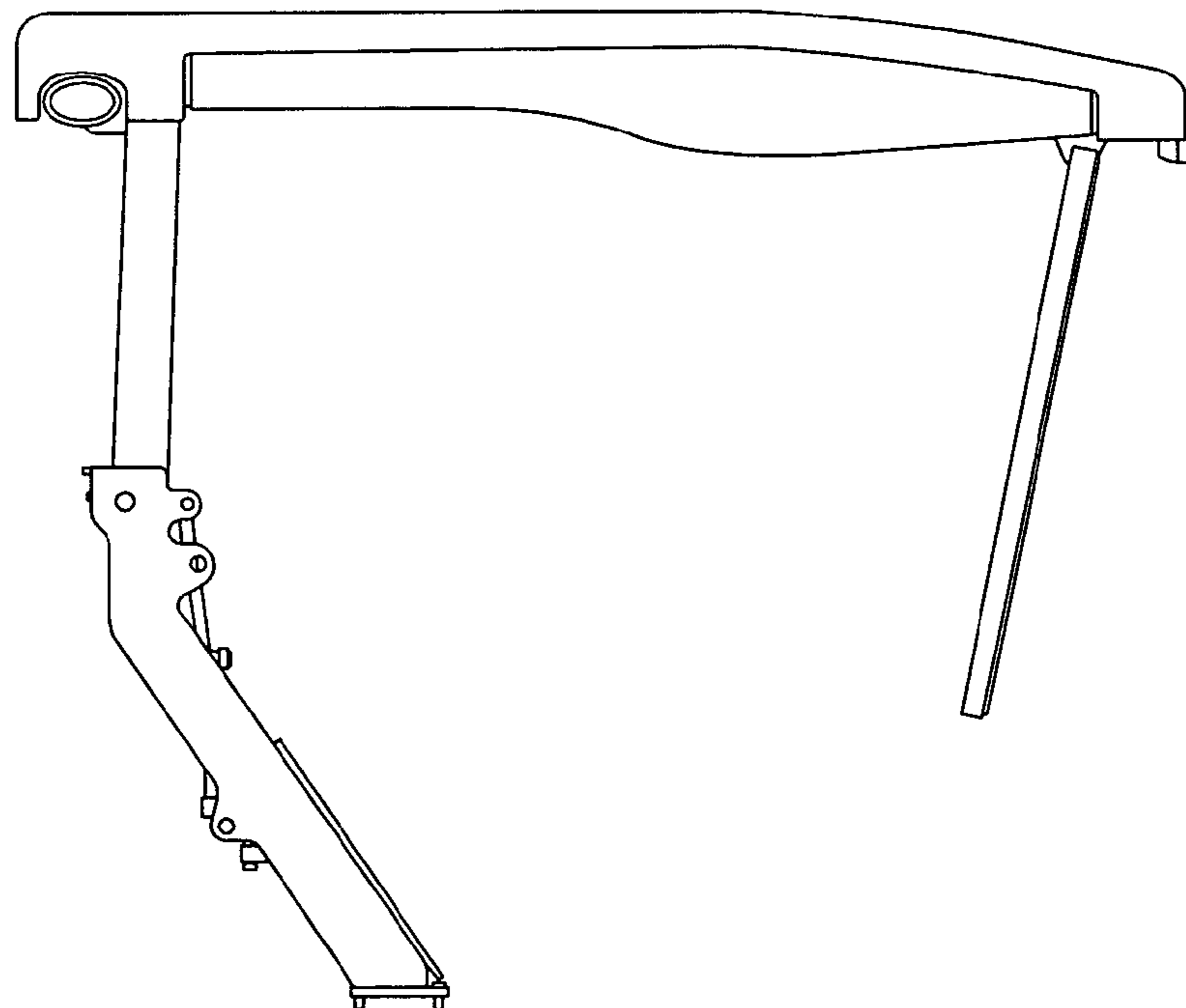
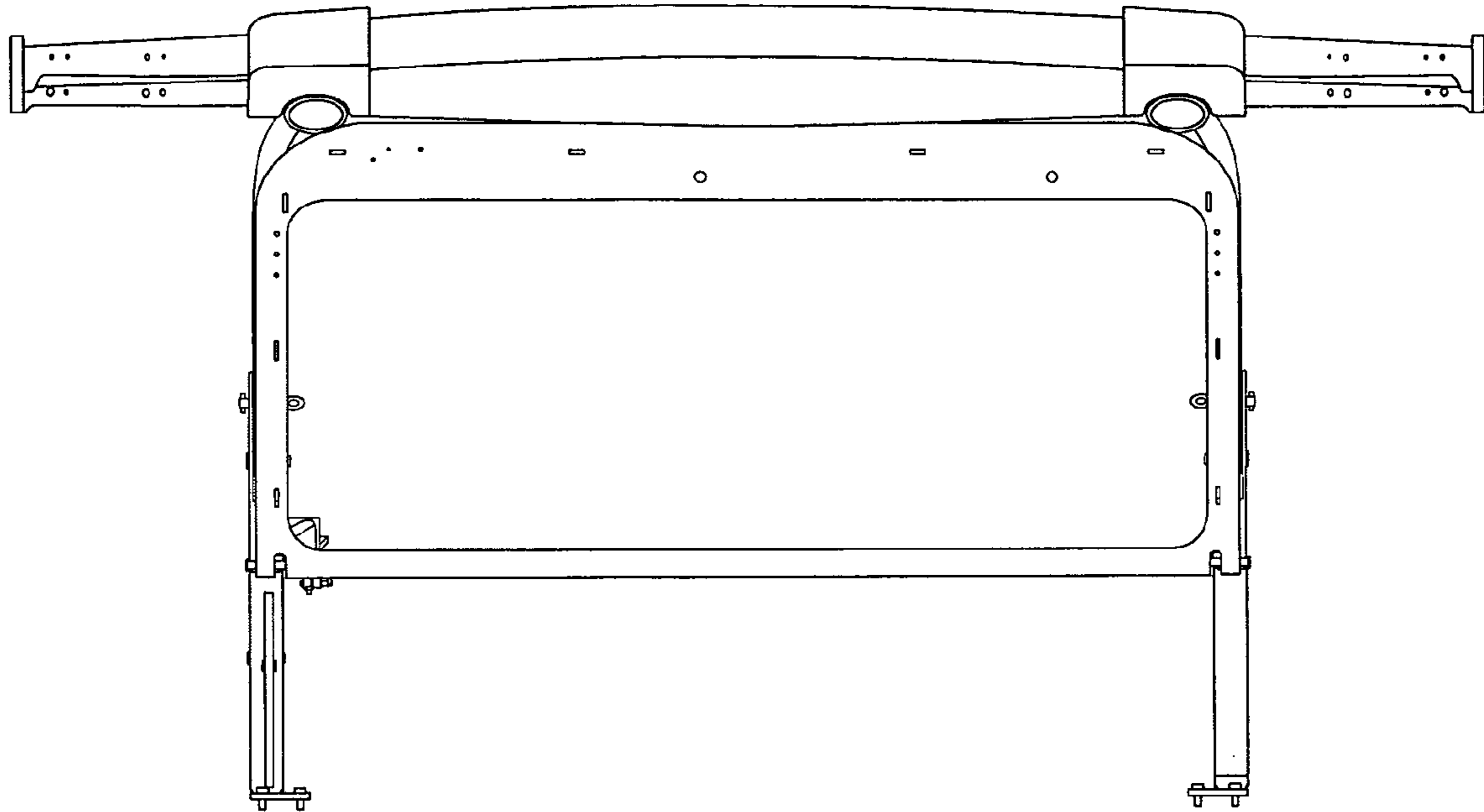


FIG. 9



**Fig. 10**



**Fig. 11**

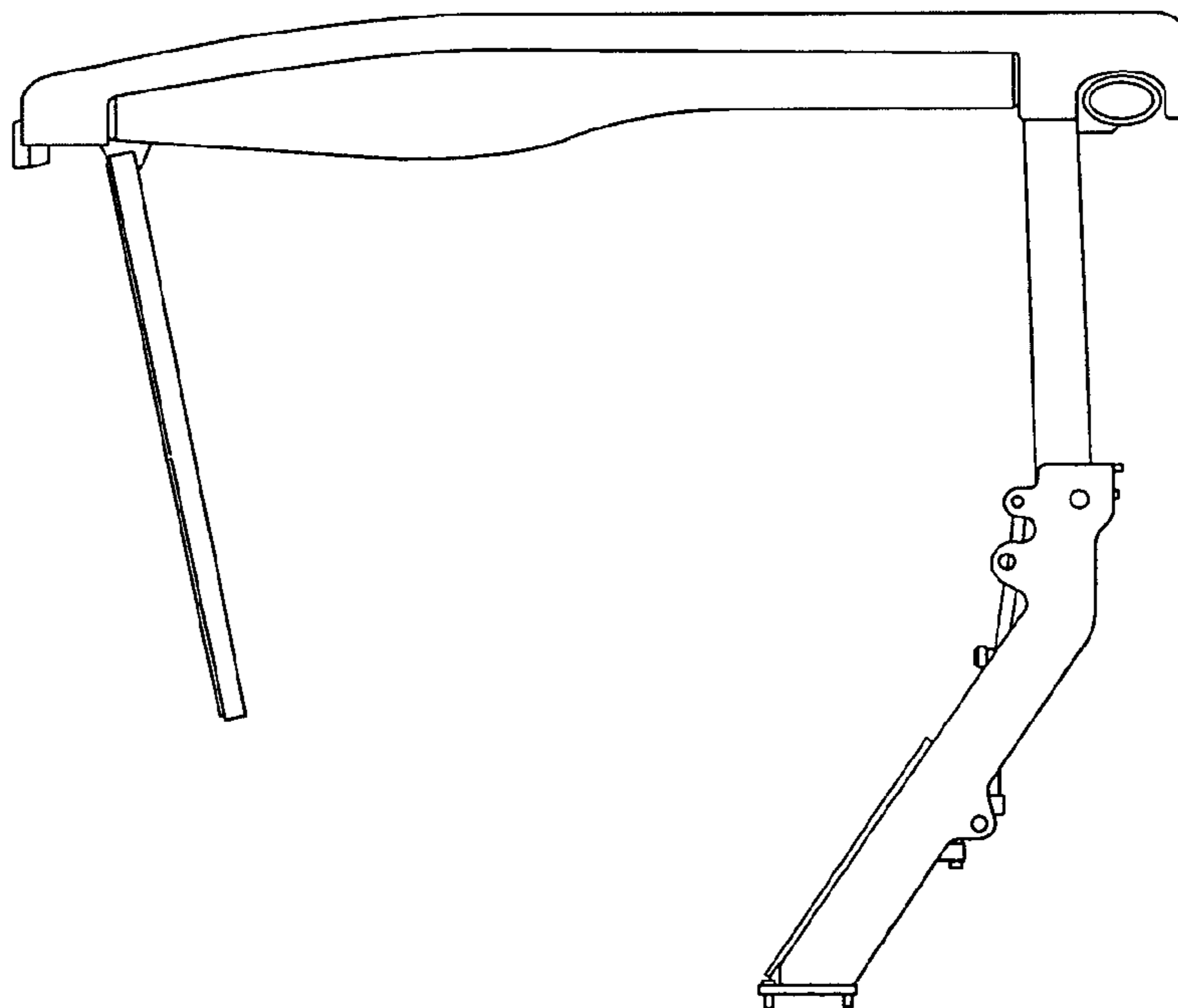




Fig. 12

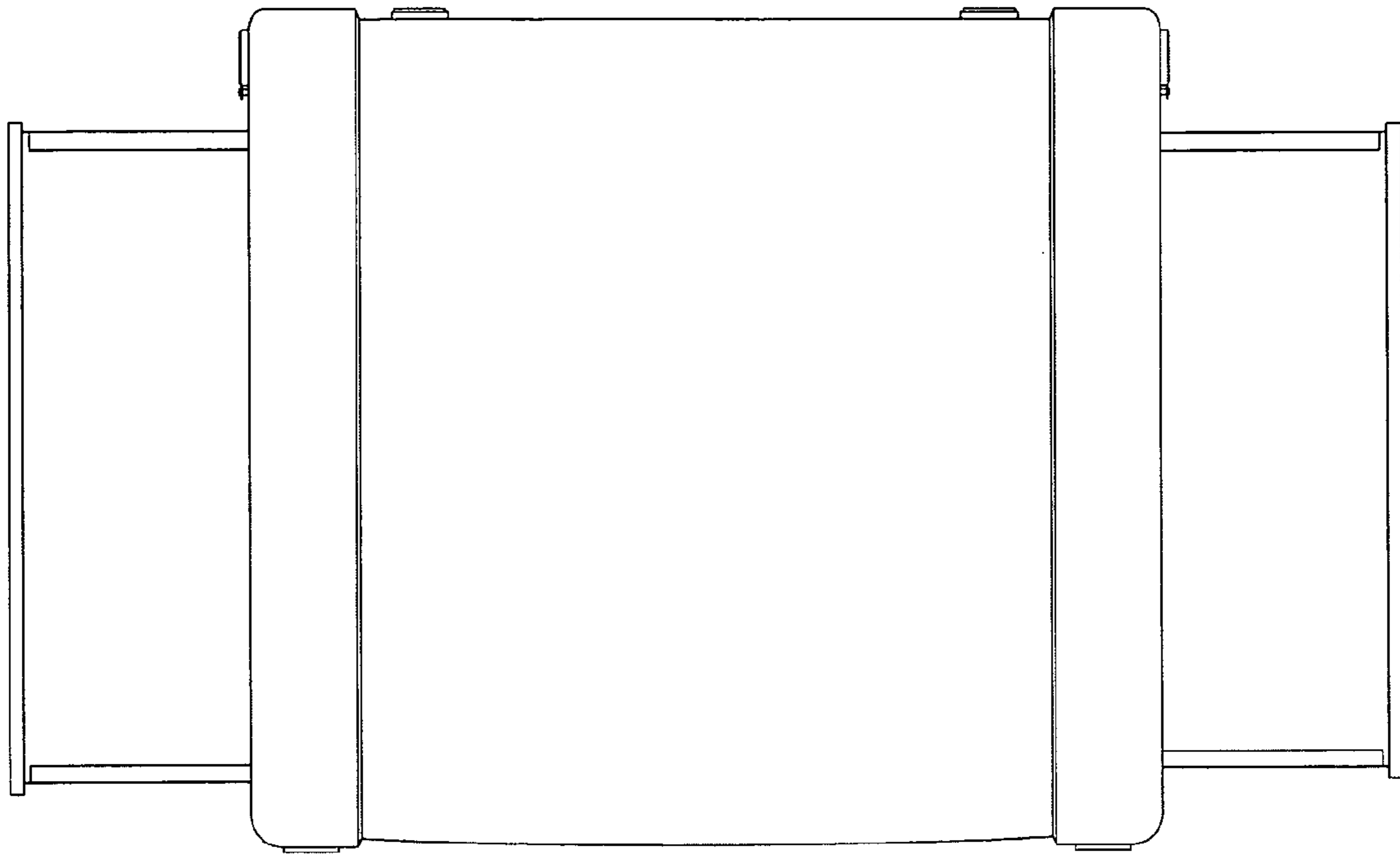


Fig. 13

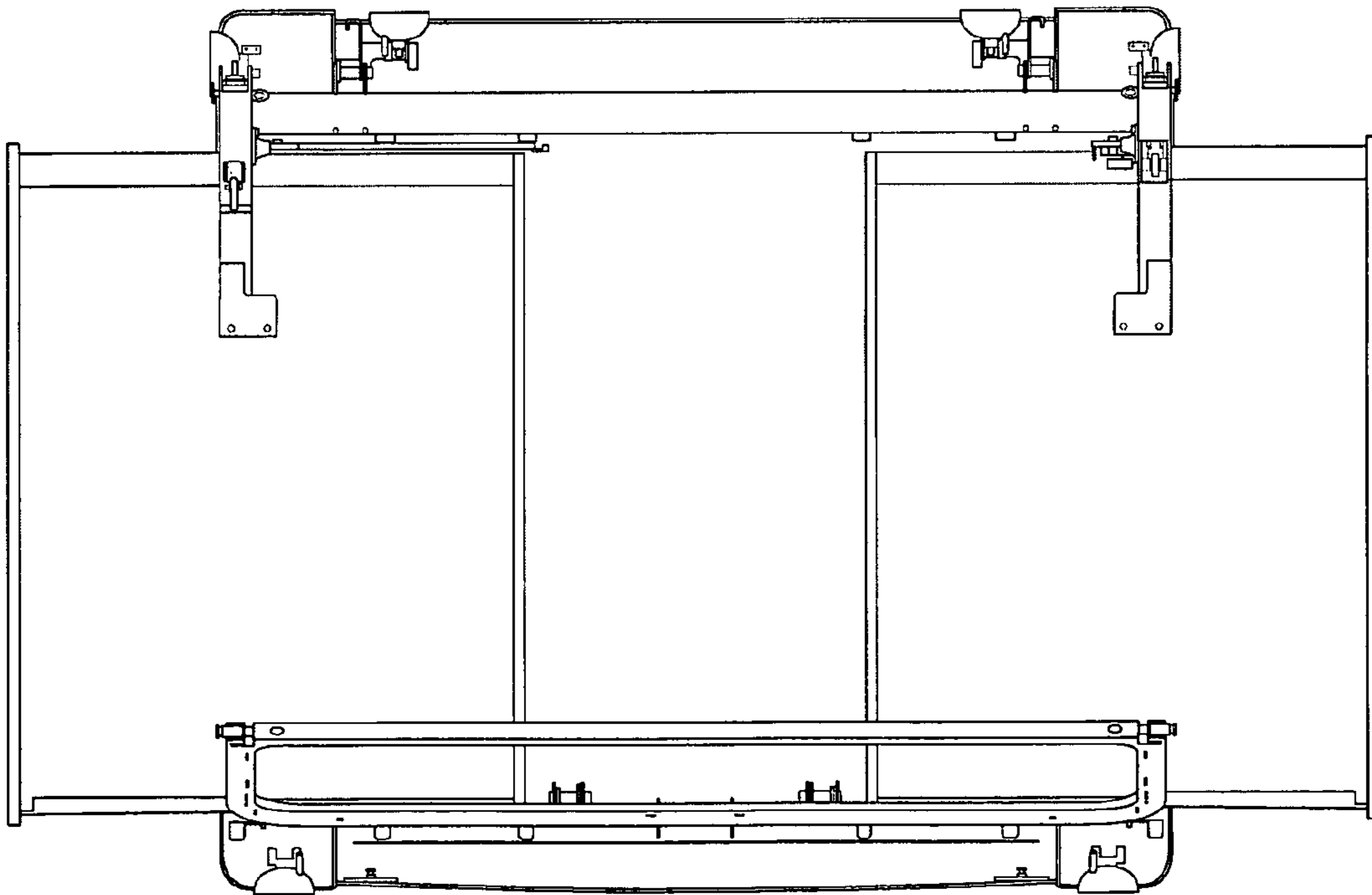


FIG. 14

