

US00RE43142E

(19) **United States**
(12) **Reissued Patent**
Jepson et al.

(10) **Patent Number:** **US RE43,142 E**
(45) **Date of Reissued Patent:** **Jan. 24, 2012**

(54) **NEEDLELESS CONNECTOR**

(56)

References Cited

(75) Inventors: **Steven C. Jepson**, Palatine, IL (US);
Thomas E. Dudar, Palatine, IL (US);
Rodrigo A. Montanez, Lake Forest, IL
(US); **Algirdas J. Bindokas**, Clarendon
Hills, IL (US); **Michael J. Finley**,
Wilmot, WI (US); **Jason J. White**,
Chicago, IL (US); **Camille Summers**,
Antioch, IL (US); **Yuan Pang Samuel**
Ding, Libertyville, IL (US); **Lewis E.**
Daniels, Wonder Lake, IL (US)

U.S. PATENT DOCUMENTS

2,950,257 A 8/1960 Hibbs et al.
3,853,127 A 12/1974 Spademan
3,898,988 A 8/1975 Morgan
3,968,508 A 7/1976 Ikeuchi

(Continued)

FOREIGN PATENT DOCUMENTS

CA 2083670 5/1993

(Continued)

OTHER PUBLICATIONS

Brazil Office Action for Application No. PI 9906503-7 dated Aug. 22,
2006.

(Continued)

(73) Assignee: **Baxter International, Inc.**, Deerfield, IL
(US)

(21) Appl. No.: **10/730,772**

(22) Filed: **Dec. 8, 2003**

Related U.S. Patent Documents

Reissue of:

(64) Patent No.: **6,344,033**
Issued: **Feb. 5, 2002**
Appl. No.: **09/370,864**
Filed: **Aug. 9, 1999**

U.S. Applications:

(63) Continuation of application No. 09/081,728, filed on
May 20, 1998, now Pat. No. 5,957,898.

(60) Provisional application No. 60/047,161, filed on May
20, 1997.

(51) **Int. Cl.**
A61M 5/00 (2006.01)

(52) **U.S. Cl.** **604/256; 604/533; 128/912**

(58) **Field of Classification Search** **604/167,**
604/93.01, 201, 203, 236, 237, 244-256,
604/523, 533, 534, 535, 538, 539

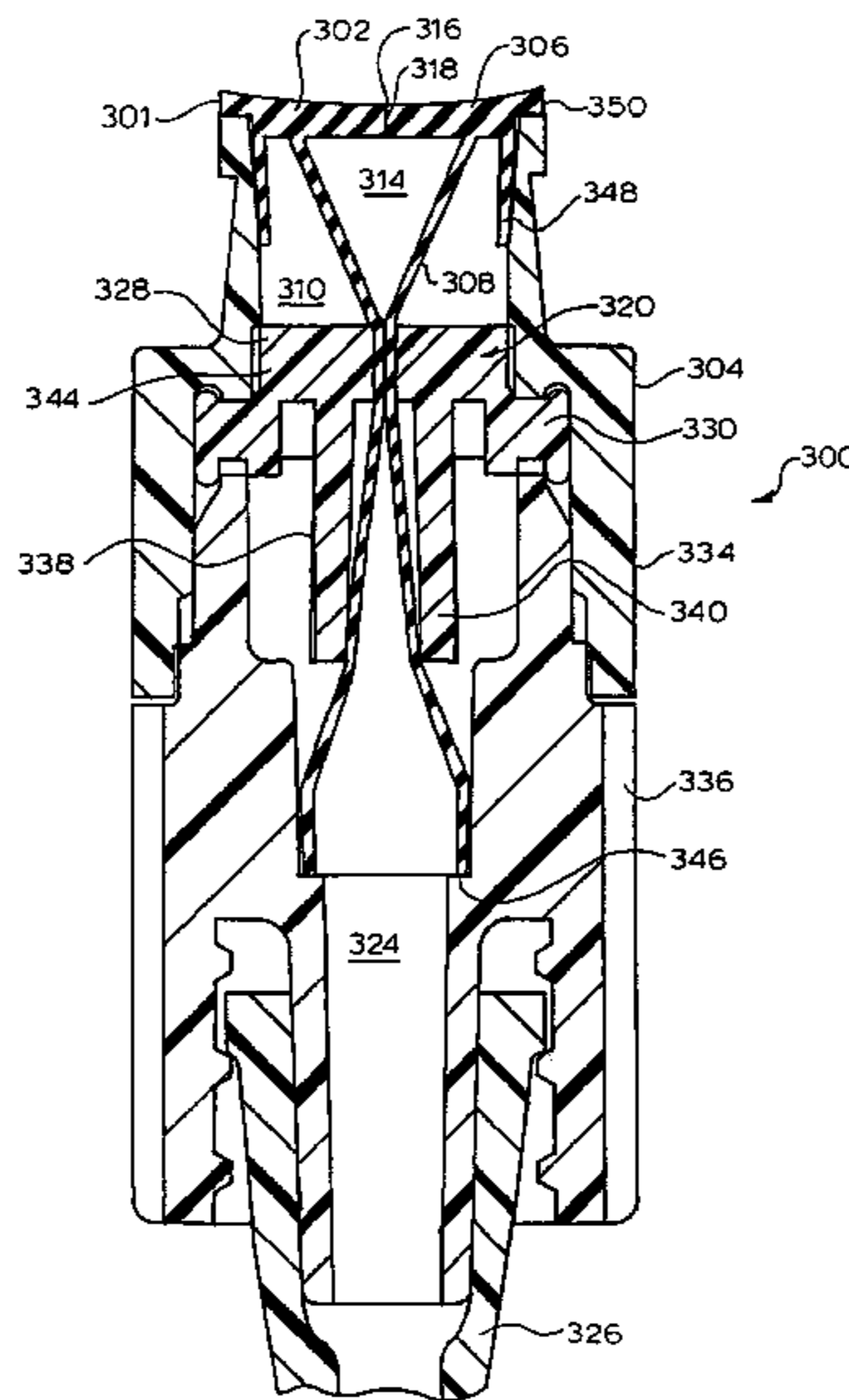
See application file for complete search history.

Primary Examiner — Jackie Ho
Assistant Examiner — Phillip Gray
(74) *Attorney, Agent, or Firm* — K&L Gates LLP

(57) **ABSTRACT**

A needless connector is provided which utilizes a resealable
preslit septum valve. The valve is resiliently restrained rela-
tive to a housing with the valve and housing configured to
accept a standard male luer lock having a luer tip which
penetrates the valve through the opening to extend within the
housing and a luer locking flange of the luer lock extending
about the housing. The valve includes a disk shaped upper
portion covering the opening, a lower portion spaced from the
housing and extending downward from the disk shaped por-
tion into a passageway defined by the housing, and an annular
skirt to attach the septum to the housing. The connector exhib-
its satisfactory leak pressure after multiple connections and
disconnects to the luer lock fitting and long periods of indwell
of the luer tip.

45 Claims, 14 Drawing Sheets



US RE43,142 E

Page 2

U.S. PATENT DOCUMENTS							
3,974,832	A	8/1976	Kruck	4,568,081	A	2/1986	Martin
3,976,063	A	8/1976	Hennemann et al.	4,568,336	A	2/1986	Cooper
3,977,400	A	8/1976	Moorehead	4,573,993	A	3/1986	Hoag et al.
3,977,403	A	8/1976	Patel	4,592,356	A	6/1986	Gutierrez
3,986,508	A	10/1976	Barrington	4,601,703	A	7/1986	Herlitze
3,994,293	A	11/1976	Ferro	4,607,671	A	8/1986	Aalto et al.
3,994,516	A	11/1976	Fredd	4,610,276	A	9/1986	Paradis et al.
4,000,739	A	1/1977	Stevens	4,610,469	A	9/1986	Wolff-Mooij
4,006,744	A	2/1977	Steer	4,610,665	A	9/1986	Matsumoto et al.
4,019,512	A	4/1977	Tenczar	4,610,674	A	9/1986	Suzuki et al.
4,040,421	A	8/1977	Young	4,612,960	A	9/1986	Edwards et al.
4,063,555	A	12/1977	Ulinder	4,615,693	A	10/1986	Paradis et al.
4,076,285	A	2/1978	Martinez	4,617,012	A	10/1986	Vaillancourt
4,080,965	A	3/1978	Phillips	4,623,068	A	11/1986	Brown et al.
4,084,606	A	4/1978	Mittleman	4,629,159	A	12/1986	Wellenstam
4,105,187	A	8/1978	Huber	4,629,450	A	12/1986	Suzuki et al.
4,105,500	A	8/1978	Libman et al.	4,645,494	A	2/1987	Lee et al.
4,106,491	A	8/1978	Guerra	4,649,904	A	3/1987	Krauter et al.
4,121,585	A	10/1978	Becker, Jr.	4,655,752	A	4/1987	Honkanen et al.
4,128,098	A	12/1978	Bloom et al.	4,673,393	A	6/1987	Suzuki et al.
4,133,312	A	1/1979	Burd	4,673,394	A	6/1987	Fenton, Jr. et al.
4,143,853	A	3/1979	Abramson	4,673,400	A	6/1987	Martin
4,143,858	A	3/1979	Schmidt, III et al.	4,683,916	A	8/1987	Raines
4,149,535	A	4/1979	Volder	4,706,487	A	11/1987	Bandou et al.
4,161,949	A	7/1979	Thanawalla	4,725,267	A	2/1988	Vaillancourt
4,177,809	A	12/1979	Moorehead	4,728,075	A	3/1988	Paradis
4,177,814	A	12/1979	Knepshield et al.	4,745,950	A	5/1988	Mathieu
4,187,846	A	2/1980	Lolachi et al.	4,752,287	A	6/1988	Kurtz et al.
4,192,304	A	3/1980	Millet	4,752,292	A	6/1988	Lopez et al.
4,197,848	A	4/1980	Garrett et al.	4,758,225	A	7/1988	Cox et al.
4,200,096	A	4/1980	Charvin	4,759,756	A	7/1988	Forman et al.
4,201,208	A	5/1980	Cambio, Jr.	4,765,588	A	8/1988	Atkinson
4,219,021	A	8/1980	Fink	4,768,568	A	9/1988	Fournier et al.
4,219,912	A	9/1980	Adams	4,775,369	A	10/1988	Schwartz
4,240,411	A	12/1980	Hosono	4,781,702	A	11/1988	Herrli
4,252,122	A	2/1981	Halvorsen	4,786,281	A	11/1988	Valentini et al.
4,261,357	A	4/1981	Kontos	4,804,015	A	2/1989	Albinsson
4,266,815	A	5/1981	Cross	4,809,679	A	3/1989	Shimonaka et al.
4,294,250	A	10/1981	Dennehey	4,810,241	A	3/1989	Rogers
4,324,239	A	4/1982	Gordon et al.	4,823,833	A	4/1989	Hogan et al.
4,326,569	A	4/1982	Vaillancourt	4,827,973	A	5/1989	Boehmer
4,328,802	A	5/1982	Curley et al.	4,832,214	A	5/1989	Schrader et al.
4,332,333	A	6/1982	Linsey	4,834,152	A	5/1989	Howson et al.
4,334,551	A	6/1982	Pfister	4,834,664	A	5/1989	Lin
4,338,933	A	7/1982	Bayard et al.	4,834,719	A	5/1989	Arenas
4,341,224	A	7/1982	Stevens	4,838,855	A	6/1989	Lynn
4,341,239	A	7/1982	Atkinson	4,838,873	A	6/1989	Lanskron et al.
4,360,024	A	11/1982	Wallace	4,842,591	A	6/1989	Luther
4,387,879	A	6/1983	Tauschinski	4,846,809	A	7/1989	Sims
4,392,856	A	7/1983	Lichtenstein	4,850,975	A	7/1989	Furukawa
4,411,662	A	10/1983	Pearson	4,856,533	A	8/1989	Anraku et al.
4,421,123	A	12/1983	Percarpio	4,857,062	A	8/1989	Russell
4,421,296	A	12/1983	Stephens	4,863,201	A	9/1989	Carstens
4,425,919	A	1/1984	Alston, Jr. et al.	4,865,583	A	9/1989	Tu
4,429,856	A	2/1984	Jackson	4,871,356	A	10/1989	Haindl et al.
4,432,755	A	2/1984	Pearson	4,874,377	A	10/1989	Newgard et al.
4,432,759	A	2/1984	Gross et al.	4,878,897	A	11/1989	Katzin
4,432,765	A	2/1984	Oscarsson	4,886,507	A	12/1989	Patton et al.
4,436,125	A	3/1984	Blenkush	4,895,346	A	1/1990	Steigerwald
4,436,519	A	3/1984	O'Neill	4,908,018	A	3/1990	Thomsen
4,439,193	A	3/1984	Larkin	4,909,798	A	3/1990	Fleischhacker et al.
4,443,219	A	4/1984	Meisch et al.	4,915,687	A	4/1990	Sivert
4,445,893	A	5/1984	Bodicky	4,917,668	A	4/1990	Haindl
4,449,693	A	5/1984	Gereg	4,928,212	A	5/1990	Benavides
4,457,548	A	7/1984	Muto	4,935,010	A	6/1990	Cox et al.
4,457,749	A	7/1984	Bellotti et al.	4,943,896	A	7/1990	Johnson
4,457,753	A	7/1984	Pastrone	4,944,732	A	7/1990	Russo
4,496,348	A	1/1985	Genese et al.	4,950,260	A	8/1990	Bonaldo
4,508,367	A	4/1985	Orepoulos et al.	4,954,149	A	9/1990	Fullemann
4,511,359	A	4/1985	Vaillancourt	4,960,412	A	10/1990	Fink
4,512,766	A	4/1985	Vailancourt	4,964,855	A	10/1990	Todd et al.
4,526,572	A	7/1985	Donnan et al.	4,966,588	A	10/1990	Raymann et al.
4,534,758	A	8/1985	Akers et al.	4,969,879	A	11/1990	Lichte
4,535,818	A	8/1985	Duncan et al.	4,969,883	A	11/1990	Gilbert et al.
4,535,819	A	8/1985	Atkinson et al.	4,981,469	A	1/1991	Whitehouse et al.
4,535,820	A	8/1985	Raines	4,984,829	A	1/1991	Saigo et al.
4,547,193	A	10/1985	Rydell	4,986,310	A	1/1991	Bailey et al.
4,566,493	A	1/1986	Edwards et al.	4,998,713	A	3/1991	Vaillancourt
				4,998,921	A	3/1991	Vickroy et al.

US RE43,142 E

4,998,927 A	3/1991	Vaillancourt	5,273,533 A	12/1993	Bonaldo
5,000,745 A	3/1991	Guest et al.	5,279,571 A	1/1994	Larkin
5,006,114 A	4/1991	Rogers et al.	5,280,876 A	1/1994	Atkins
5,006,118 A	4/1991	Yule	5,289,849 A	3/1994	Paradis
5,009,391 A	4/1991	Steigerwald	5,290,254 A	3/1994	Vaillancourt
5,009,490 A	4/1991	Kouno et al.	5,295,657 A	3/1994	Atkinson
5,010,925 A	4/1991	Atkinson et al.	5,295,658 A	3/1994	Atkinson et al.
5,018,532 A	5/1991	Etheredge, III	5,296,771 A	3/1994	Sakuma et al.
5,041,087 A	8/1991	Loo et al.	5,301,707 A	4/1994	Hofsteenge
5,041,095 A	8/1991	Littrell	5,306,243 A	4/1994	Bonaldo
5,041,097 A	8/1991	Johnson	5,312,362 A	5/1994	Pfolsgraf et al.
5,046,456 A	9/1991	Heymann et al.	5,312,377 A	5/1994	Dalton
5,049,128 A	9/1991	Duquette	5,330,435 A	7/1994	Vaillancourt
5,057,092 A	10/1991	Webster, Jr.	5,330,437 A	7/1994	Durman
5,059,186 A	10/1991	Yamamoto et al.	5,336,192 A	8/1994	Palestrant
5,060,812 A	10/1991	Ogle, II	5,344,414 A	9/1994	Lopez et al.
5,061,253 A	10/1991	Yoshida	5,349,984 A	9/1994	Weinheimer et al.
5,061,738 A	10/1991	Solomon et al.	5,353,837 A	10/1994	Faust
5,064,416 A	11/1991	Newgard et al.	5,360,413 A	11/1994	Leason et al.
5,065,783 A	11/1991	Ogle, II	5,368,801 A	11/1994	Vaillancourt
5,069,225 A	12/1991	Okamura	5,370,636 A	12/1994	Von Witzleben
5,069,424 A	12/1991	Dennany, Jr. et al.	5,380,306 A	1/1995	Brinon
5,070,905 A	12/1991	Paradis	5,390,898 A	2/1995	Smedley et al.
5,071,404 A	12/1991	Larkin et al.	5,395,348 A	3/1995	Ryan
5,078,699 A	1/1992	Haber et al.	5,401,245 A	3/1995	Haining
5,080,654 A	1/1992	Picha et al.	5,402,982 A	4/1995	Atkinson et al.
5,085,645 A	2/1992	Purdy et al.	5,409,125 A	4/1995	Kimber et al.
5,088,984 A	2/1992	Fields	5,409,471 A	4/1995	Atkinson et al.
5,092,840 A	3/1992	Healy	5,417,672 A	5/1995	Nita et al.
5,092,857 A	3/1992	Fleischhacker	5,417,673 A	5/1995	Gordon
5,098,405 A	3/1992	Peterson et al.	5,437,646 A	8/1995	Hunt et al.
5,099,878 A	3/1992	Boehmer	5,439,451 A	8/1995	Collinson et al.
5,100,394 A	3/1992	Dudar et al.	5,441,486 A	8/1995	Yoon
5,103,854 A	4/1992	Bailey	5,441,487 A *	8/1995	Vedder 604/167.03
5,104,379 A	4/1992	Nakamura et al.	5,445,630 A	8/1995	Richmond
5,104,389 A	4/1992	Deem et al.	5,453,097 A	9/1995	Paradis
5,108,380 A	4/1992	Herlitze et al.	5,456,284 A	10/1995	Ryan et al.
5,114,408 A	5/1992	Fleischhaker et al.	5,456,675 A	10/1995	Wolbring et al.
5,122,123 A	6/1992	Vaillancourt	5,458,640 A	10/1995	Gerrone
5,127,904 A	7/1992	Loo et al.	5,462,255 A	10/1995	Rosen et al.
5,129,426 A	7/1992	Boehmer	5,465,938 A	11/1995	Werge et al.
5,134,489 A	7/1992	Sauer	5,466,219 A	11/1995	Lynn et al.
5,135,489 A	8/1992	Jepson et al.	5,470,319 A *	11/1995	Mayer 604/167.02
5,137,527 A	8/1992	Miller et al.	5,474,536 A	12/1995	Bonaldo
5,139,483 A	8/1992	Ryan	5,474,541 A	12/1995	Ritsky et al.
5,147,333 A	9/1992	Raines	5,474,544 A	12/1995	Lynn
5,154,703 A	10/1992	Bonaldo	5,487,728 A	1/1996	Vaillancourt
5,158,554 A	10/1992	Jepson et al.	5,487,731 A	1/1996	Denton
5,163,922 A	11/1992	McElveen, Jr. et al.	5,492,147 A	2/1996	Challender et al.
5,167,637 A	12/1992	Okada et al.	5,492,304 A	2/1996	Smith et al.
5,167,642 A	12/1992	Fowles	5,501,426 A	3/1996	Atkinson et al.
5,167,648 A	12/1992	Jepson et al.	5,509,433 A	4/1996	Paradis
5,171,234 A	12/1992	Jepson et al.	5,509,912 A	4/1996	Vaillancourt et al.
5,178,607 A	1/1993	Lynn et al.	5,514,098 A	5/1996	Pfolsgraf et al.
5,179,174 A	1/1993	Elton	5,514,116 A	5/1996	Vaillancourt et al.
5,184,652 A	2/1993	Fan	5,529,278 A	6/1996	Weldon et al.
5,188,620 A	2/1993	Jepson et al.	5,531,810 A	7/1996	Fullemann
5,190,067 A	3/1993	Paradis et al.	5,533,708 A	7/1996	Atkinson et al.
5,195,980 A	3/1993	Catlin	5,533,983 A	7/1996	Haining
5,199,948 A	4/1993	McPhee	5,535,771 A	7/1996	Purdy et al.
5,201,725 A	4/1993	Kling	5,535,785 A	7/1996	Werge et al.
5,203,775 A	4/1993	Frank et al.	5,540,661 A	7/1996	Tomisaka et al.
5,207,656 A	5/1993	Kranys	5,549,566 A	8/1996	Elias et al.
5,211,634 A	5/1993	Vaillancourt	5,549,577 A	8/1996	Siegel et al.
5,211,638 A	5/1993	Dudar et al.	5,549,651 A	8/1996	Lynn
5,215,537 A	6/1993	Lynn et al.	5,552,118 A	9/1996	Mayer
5,215,538 A	6/1993	Larkin	5,555,908 A	9/1996	Edwards et al.
5,230,706 A	7/1993	Duquette	5,556,388 A	9/1996	Johlin, Jr.
5,234,410 A	8/1993	Graham et al.	5,569,235 A	10/1996	Ross et al.
5,242,393 A	9/1993	Brimhall et al.	5,573,516 A	11/1996	Tyner
5,242,423 A	9/1993	Goodsir et al.	5,578,059 A	11/1996	Patzer
5,242,432 A	9/1993	DeFrank	5,584,808 A	12/1996	Healy
5,249,598 A	10/1993	Schmidt	5,597,536 A	1/1997	Mayer
5,250,033 A	10/1993	Evans et al.	5,616,130 A	4/1997	Mayer
5,251,873 A	10/1993	Atkinson et al.	5,620,434 A	4/1997	Brony et al.
5,256,155 A	10/1993	Yerlikaya et al.	5,674,206 A	10/1997	Alton et al.
5,261,459 A	11/1993	Atkinson et al.	5,685,866 A	11/1997	Lopez
5,269,763 A	12/1993	Boehmer et al.	5,688,254 A	11/1997	Lopez et al.
5,269,771 A	12/1993	Thomas et al.	5,690,612 A	11/1997	Lopez et al.

US RE43,142 E

Page 4

5,694,686	A	12/1997	Lopez	EP	0 811 560	A2	12/1997
5,695,466	A	12/1997	Lopez et al.	FR	1.149.727		12/1957
5,699,821	A	12/1997	Paradis	FR	2049513		3/1971
5,700,248	A	12/1997	Lopez	FR	2 337 670		1/1976
5,702,019	A	12/1997	Grimard	GB	2 012 919	A	8/1979
5,727,770	A	3/1998	Dennis	SU	1634-936	A	3/1991
5,738,663	A	4/1998	Lopez	WO	WO 88/01881		3/1988
5,749,861	A	5/1998	Guala et al.	WO	WO 89/06553		7/1989
5,776,113	A	7/1998	Daugherty et al.	WO	WO 90/11103		10/1990
5,788,675	A	8/1998	Mayer	WO	WO 92/04936		4/1992
5,820,601	A	10/1998	Mayer	WO	PCT/US91/06604		6/1992
5,836,923	A	11/1998	Mayer	WO	WO 93/11828		6/1993

FOREIGN PATENT DOCUMENTS

DE	2907-832	9/1980
DE	30 31 242 A1	3/1982
DE	30 42 229 A1	5/1982
DE	32 42 870 A1	6/1983
DE	33 03 718 C1	10/1984
DE	KLASSE A 61	10/1985
DE	37 37 665 A1	11/1987
DE	38 09 127	3/1988
EP	0 051 718	5/1982
EP	0 111 723	11/1983
EP	0 223 451	5/1987
EP	0 309 771	4/1989
EP	0 343 953 A1	11/1989
EP	0 414 997 A1	3/1991
EP	0 696 460 A2	2/1996
EP	0 696 461 A2	2/1996
EP	0 798 013 A1	1/1997

WO	9324174	12/1993
WO	WO 96/00053	1/1996
WO	WO 96/40359	12/1996
WO	WO 97/00702	1/1997
WO	WO 97/21463	6/1997
WO	WO 97/24548	7/1997
WO	WO 97/38744	10/1997
WO	WO 98/17192	1/1998
WO	WO 98/50106	4/1998
WO	WO 98/23313	6/1998
WO	WO 98/26835	6/1998

OTHER PUBLICATIONS

Official Office Action for corresponding Japanese Patent Application No. 2000-549334, dated Mar. 3, 2008, 5 pages.
Official Office Action for corresponding Japanese Patent Application No. 2000-549334, dated Dec. 8, 2008, 4 pages.

* cited by examiner

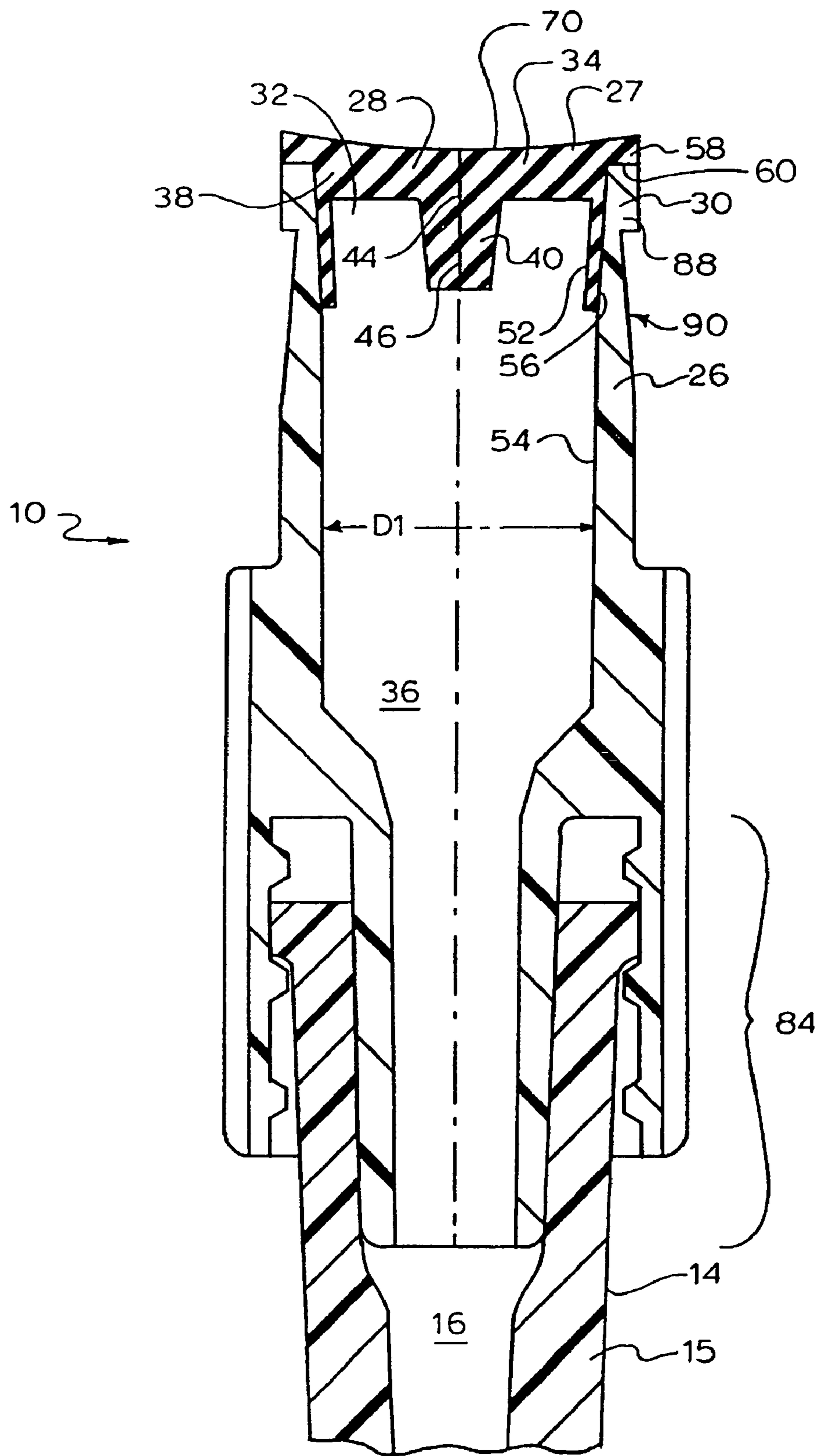


FIG. 1

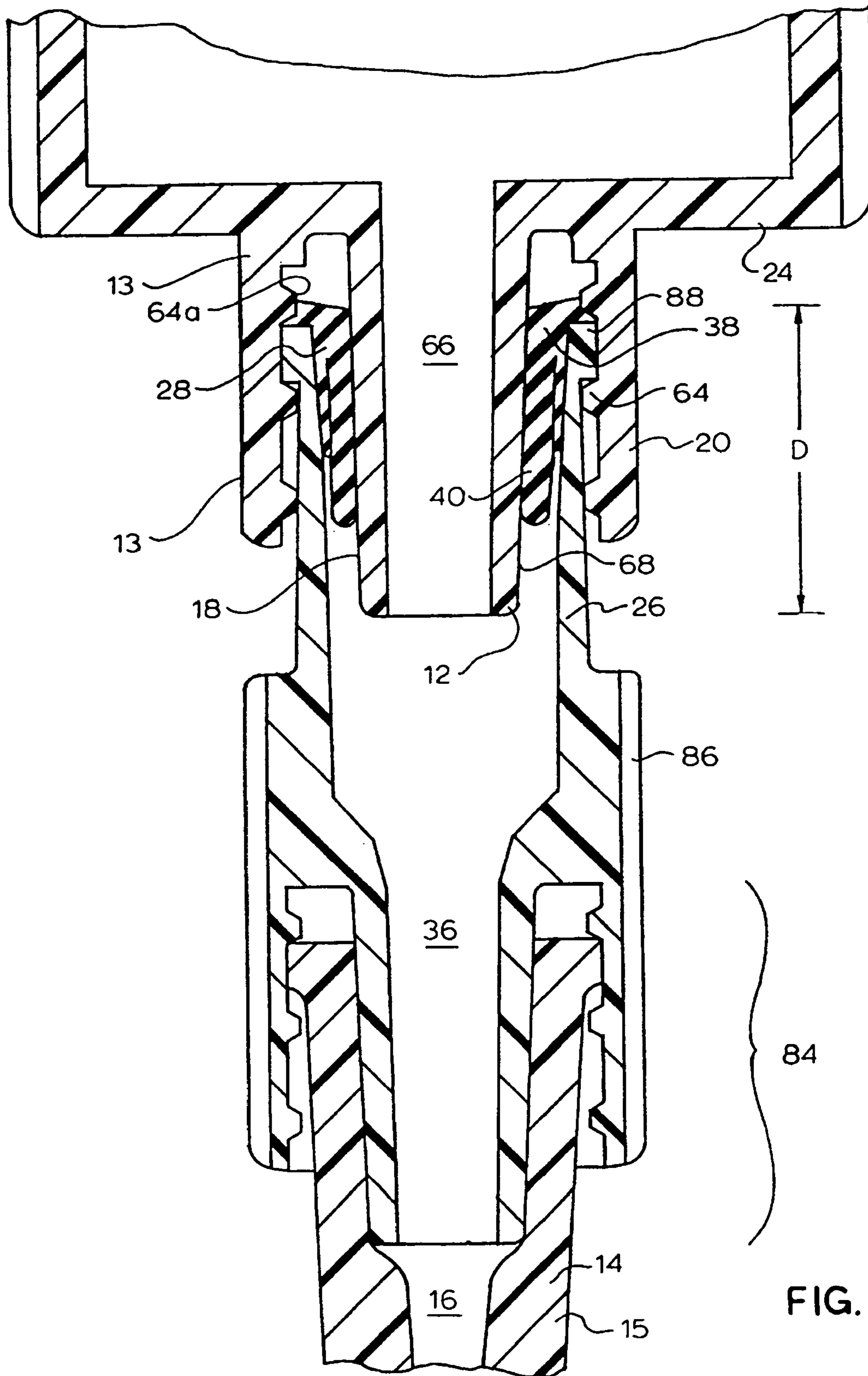


FIG. 2

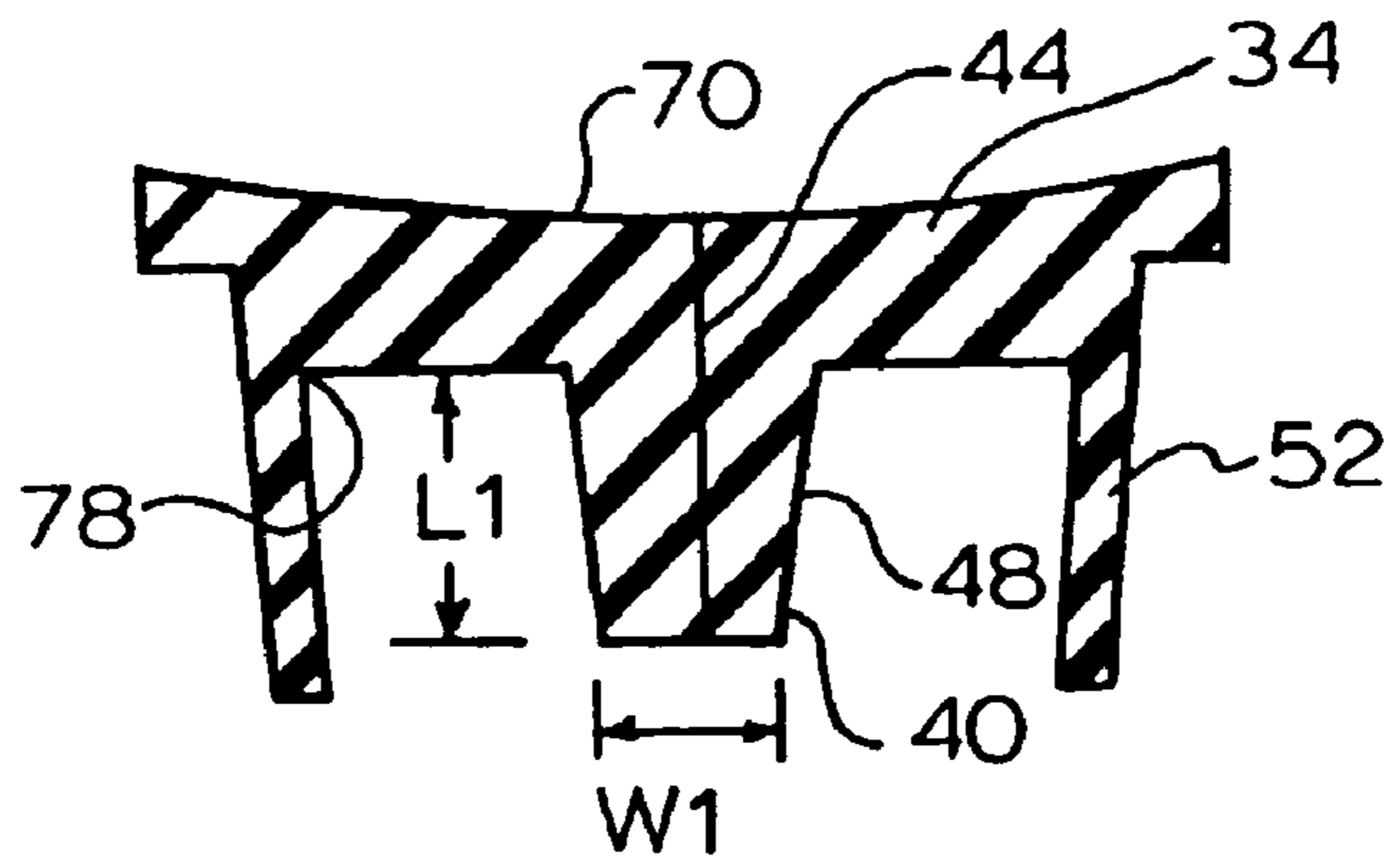


FIG. 3

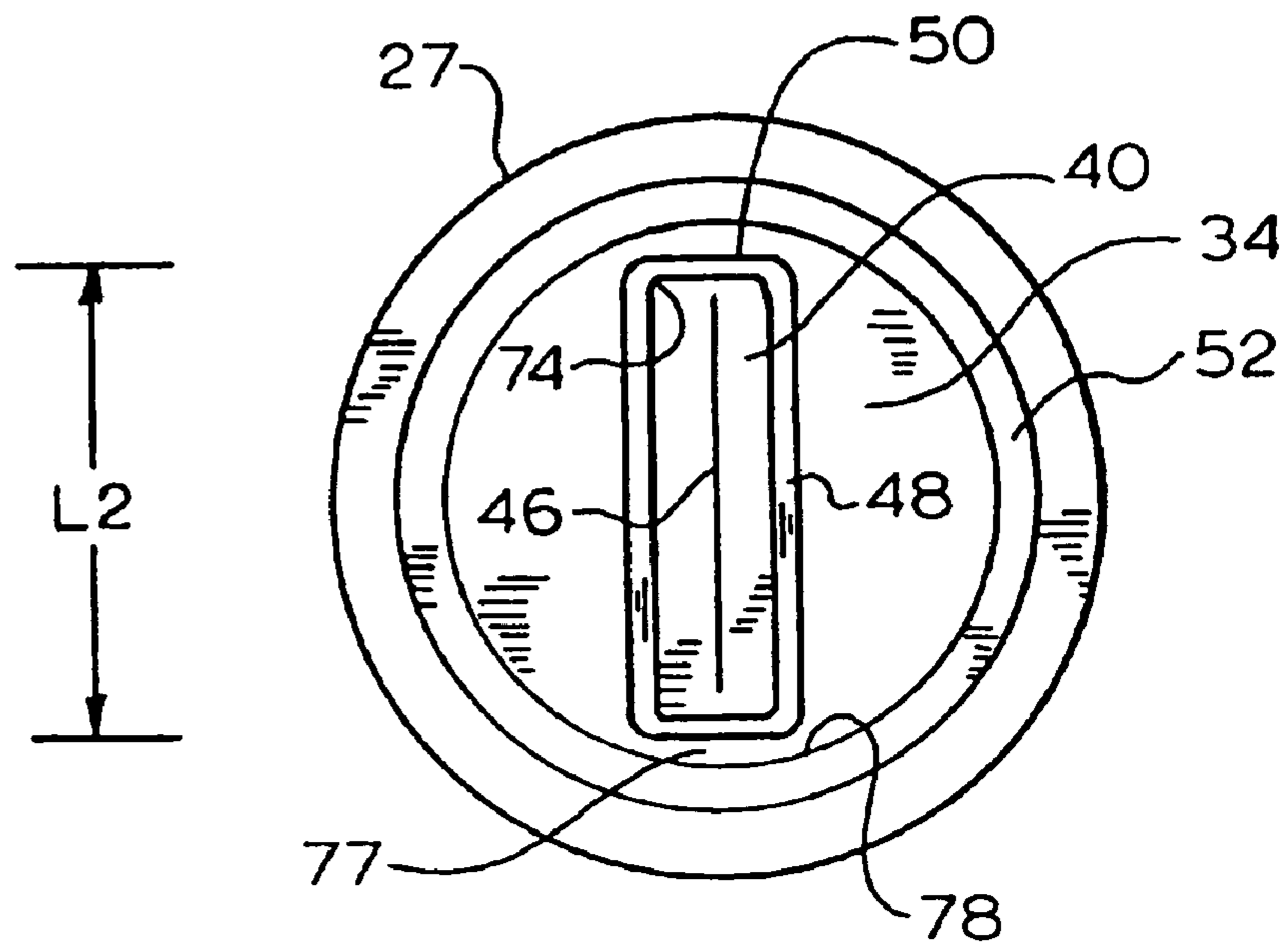
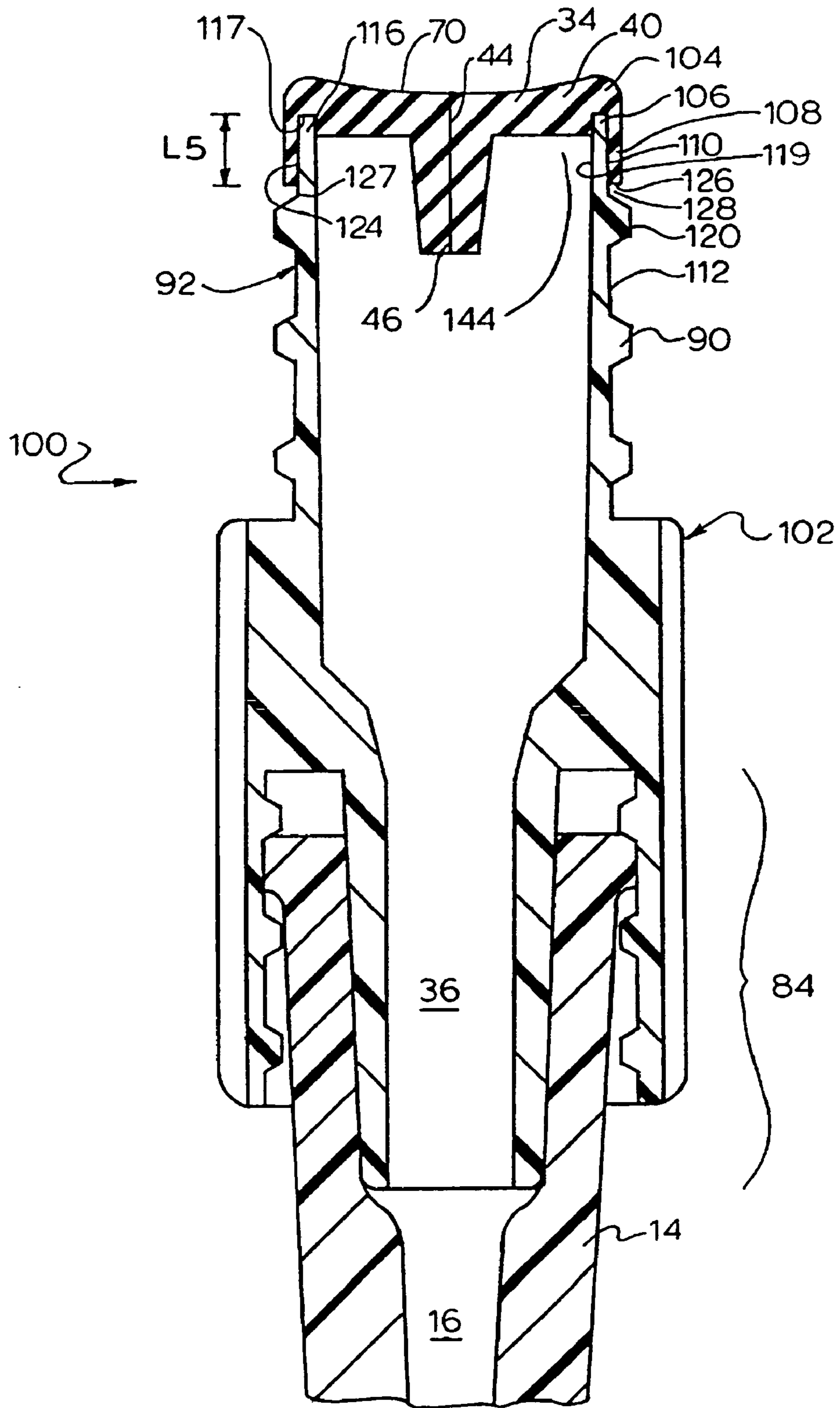


FIG. 3A



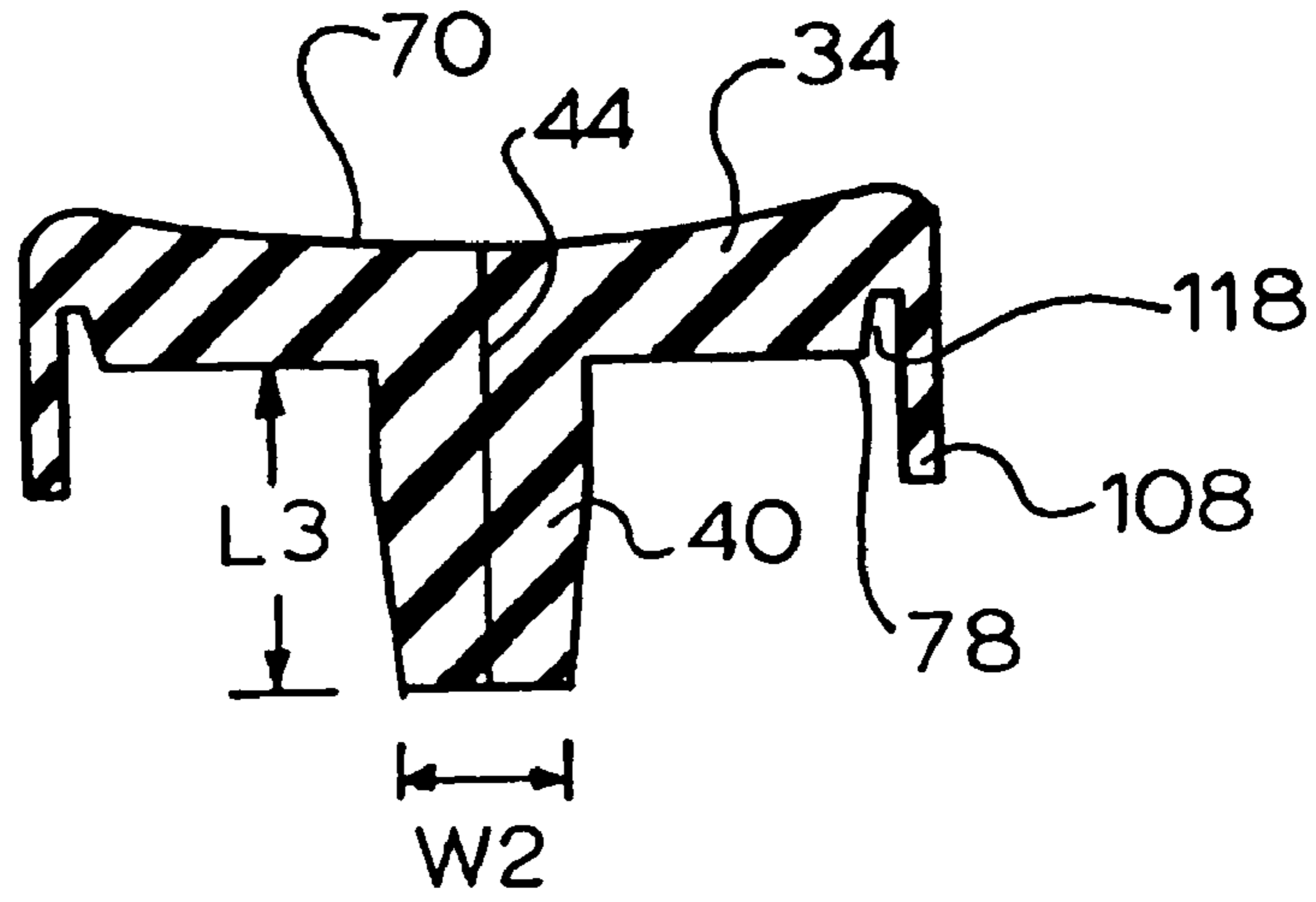


FIG. 5

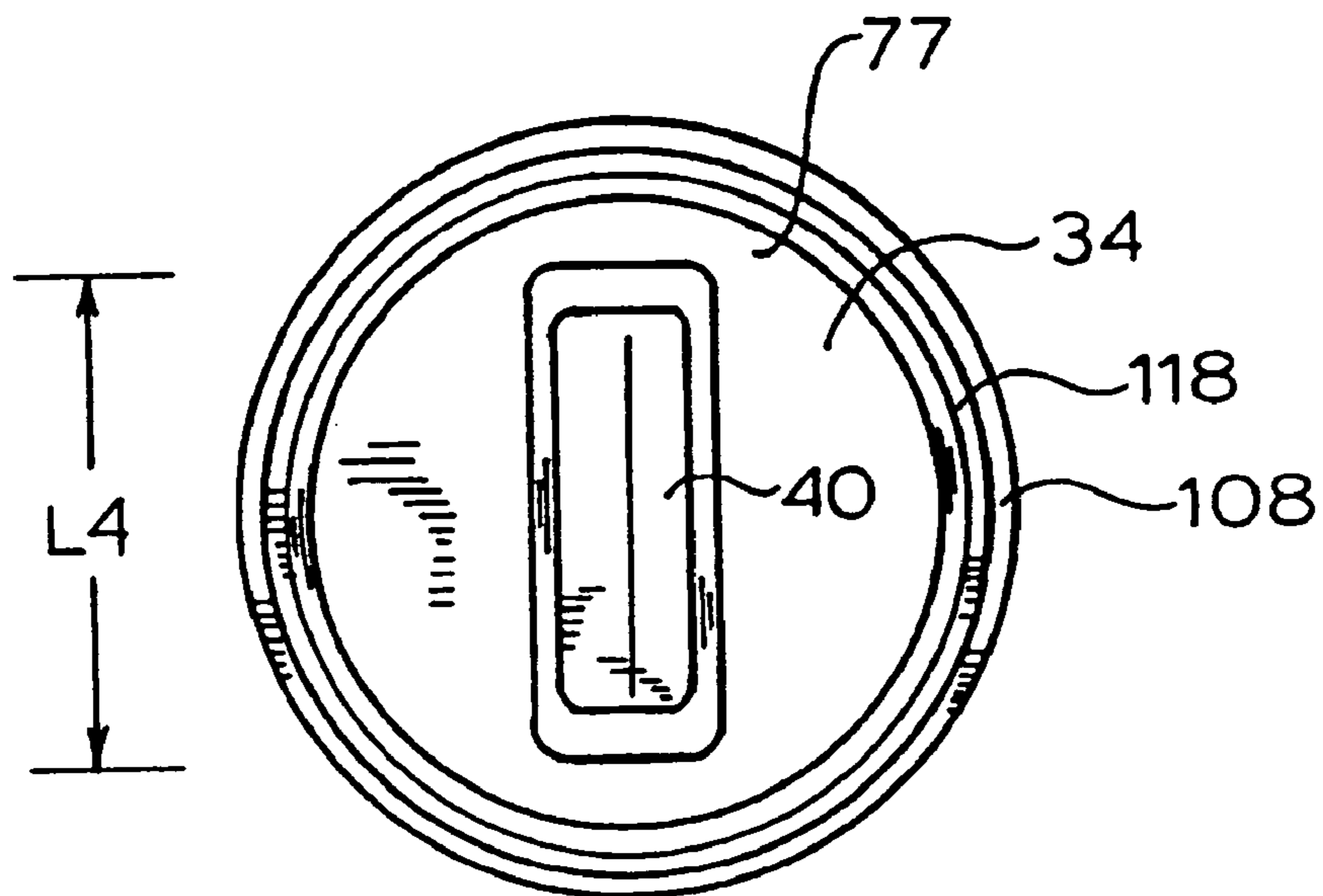


FIG. 5A

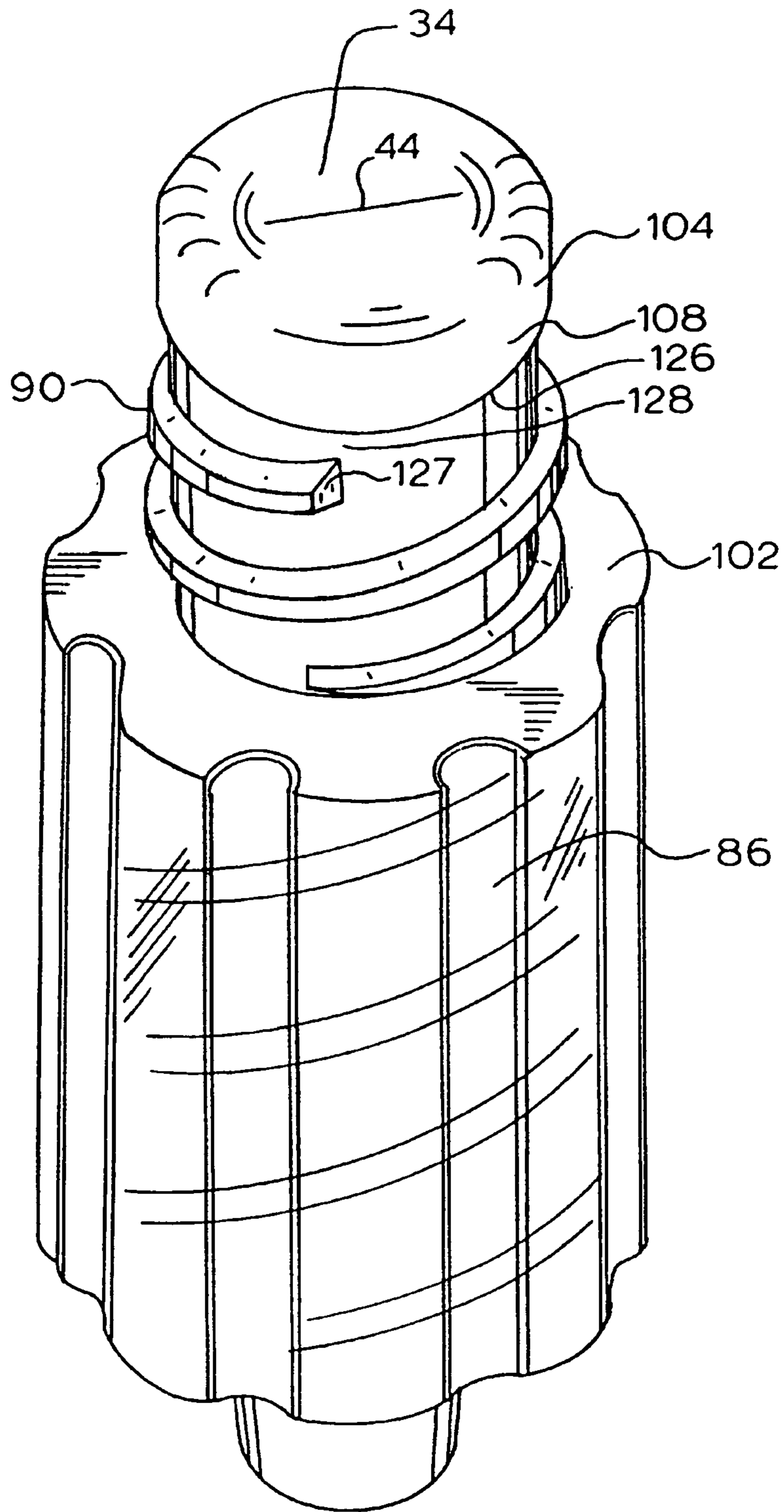
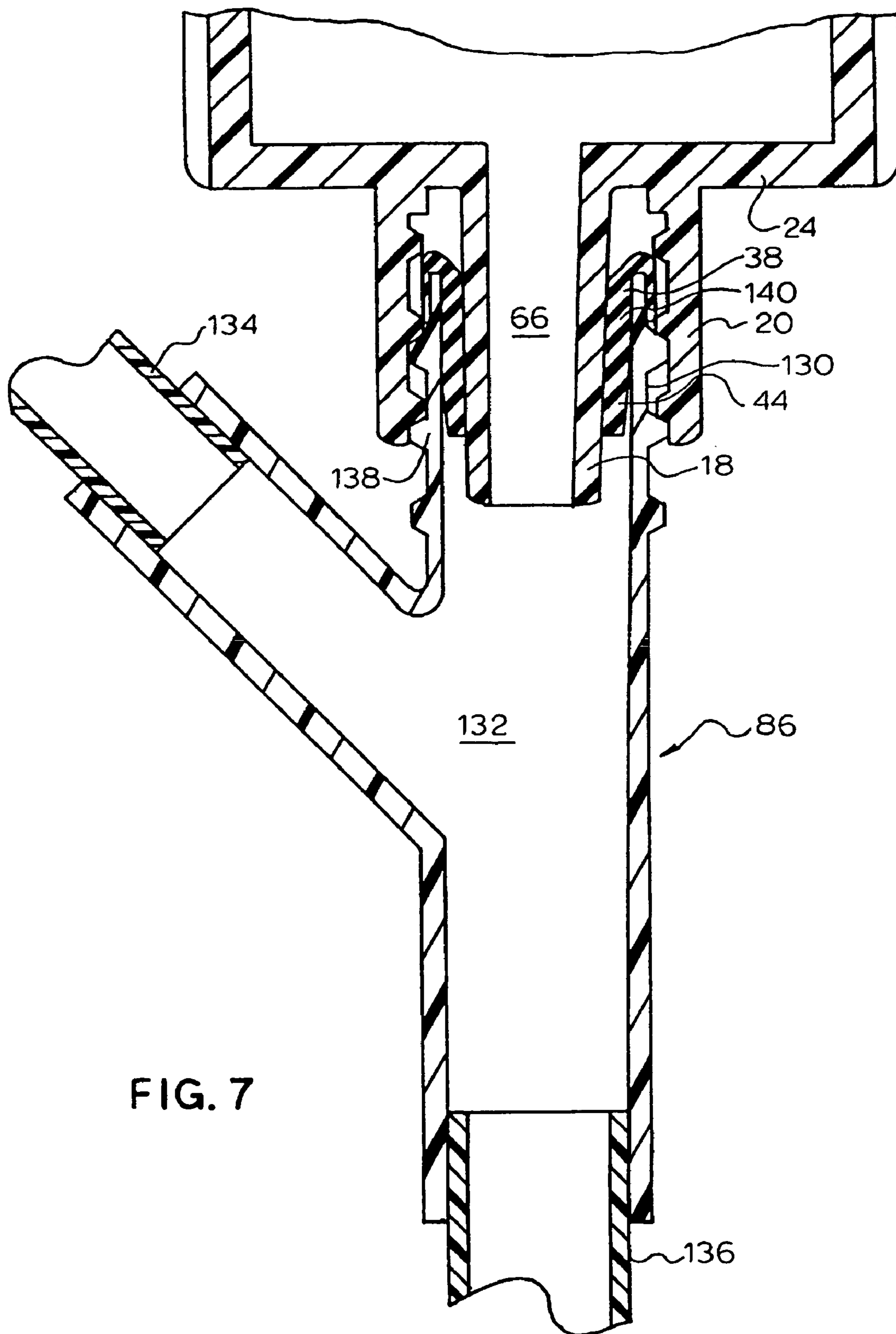


FIG. 6



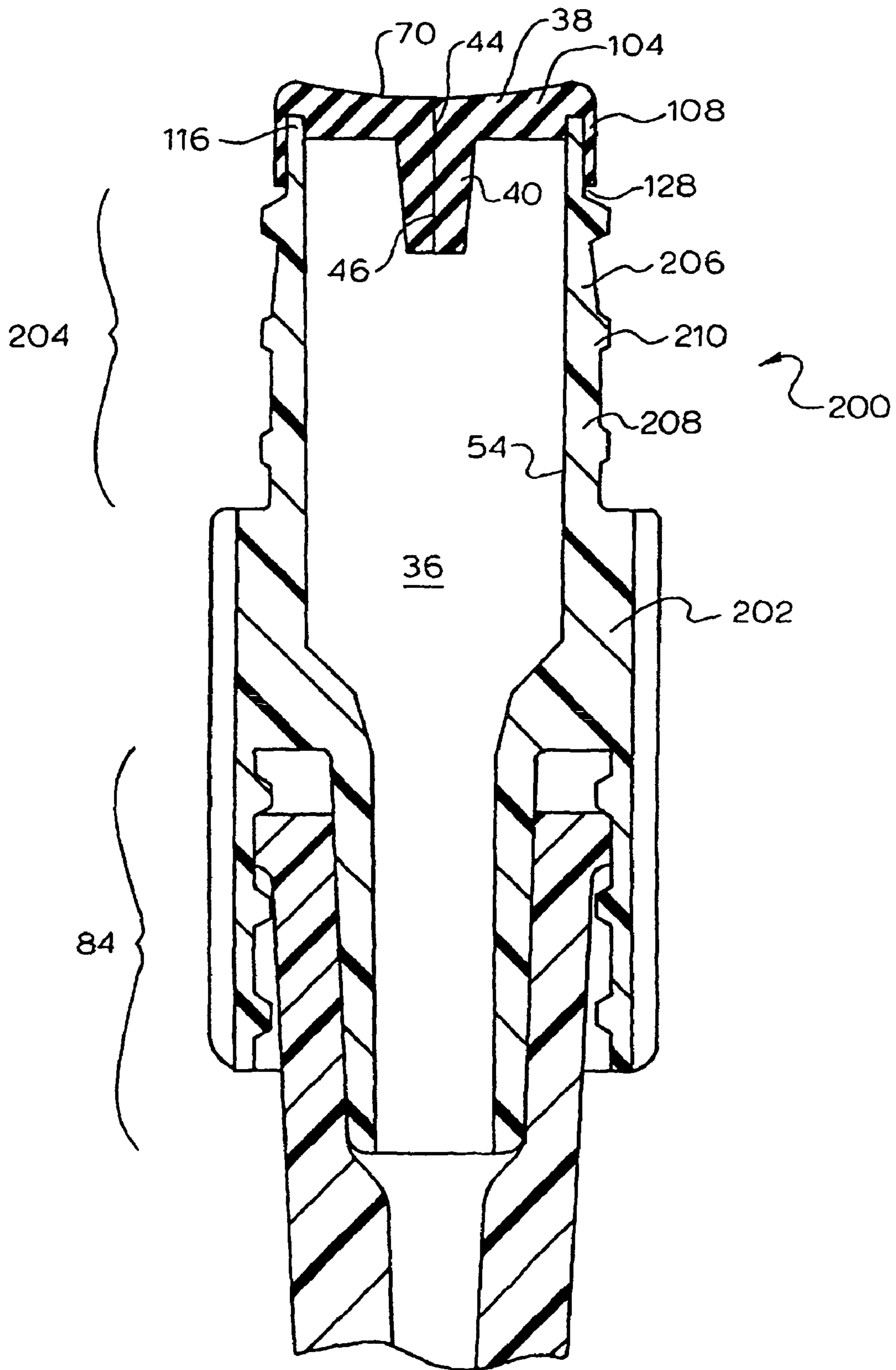
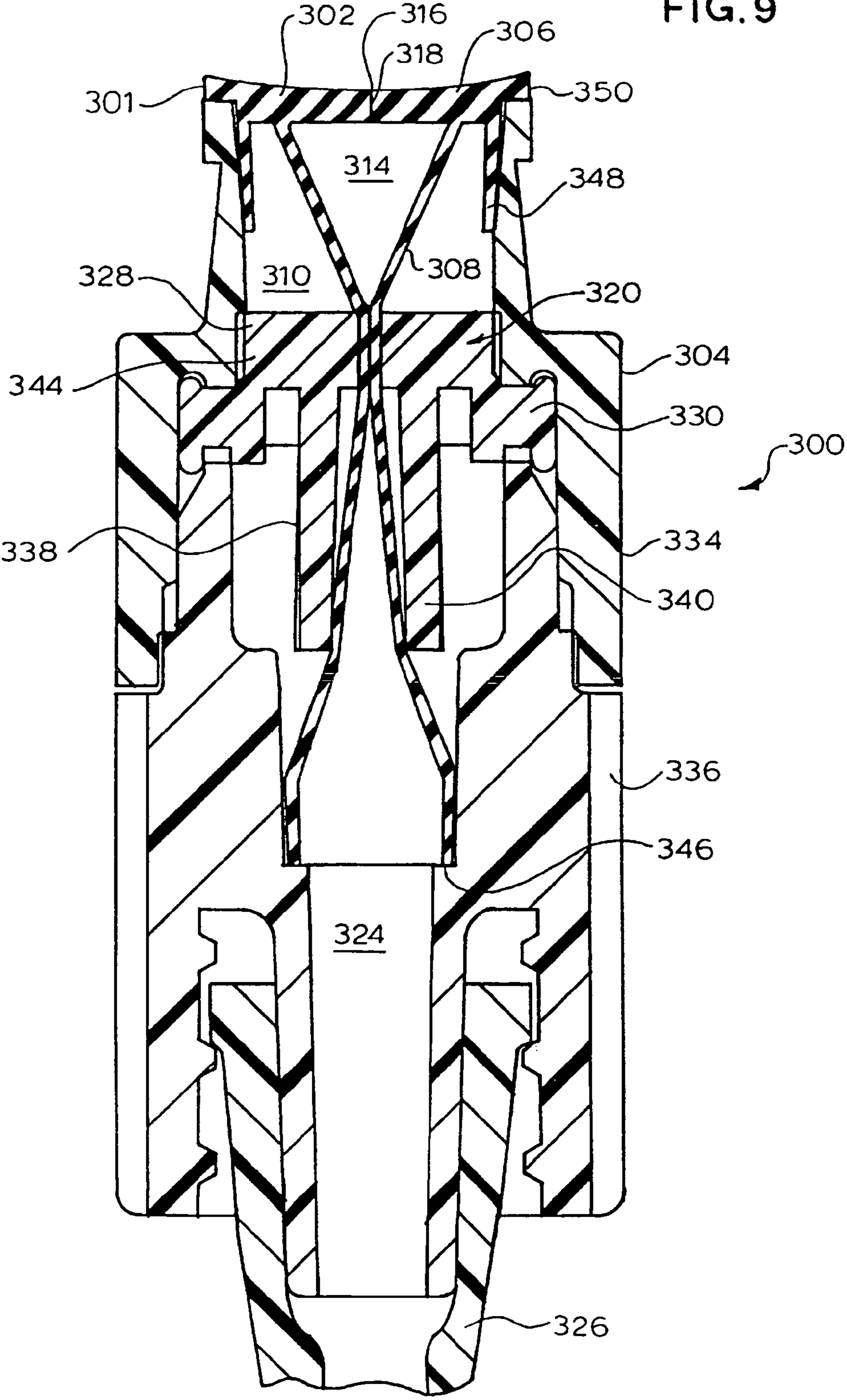
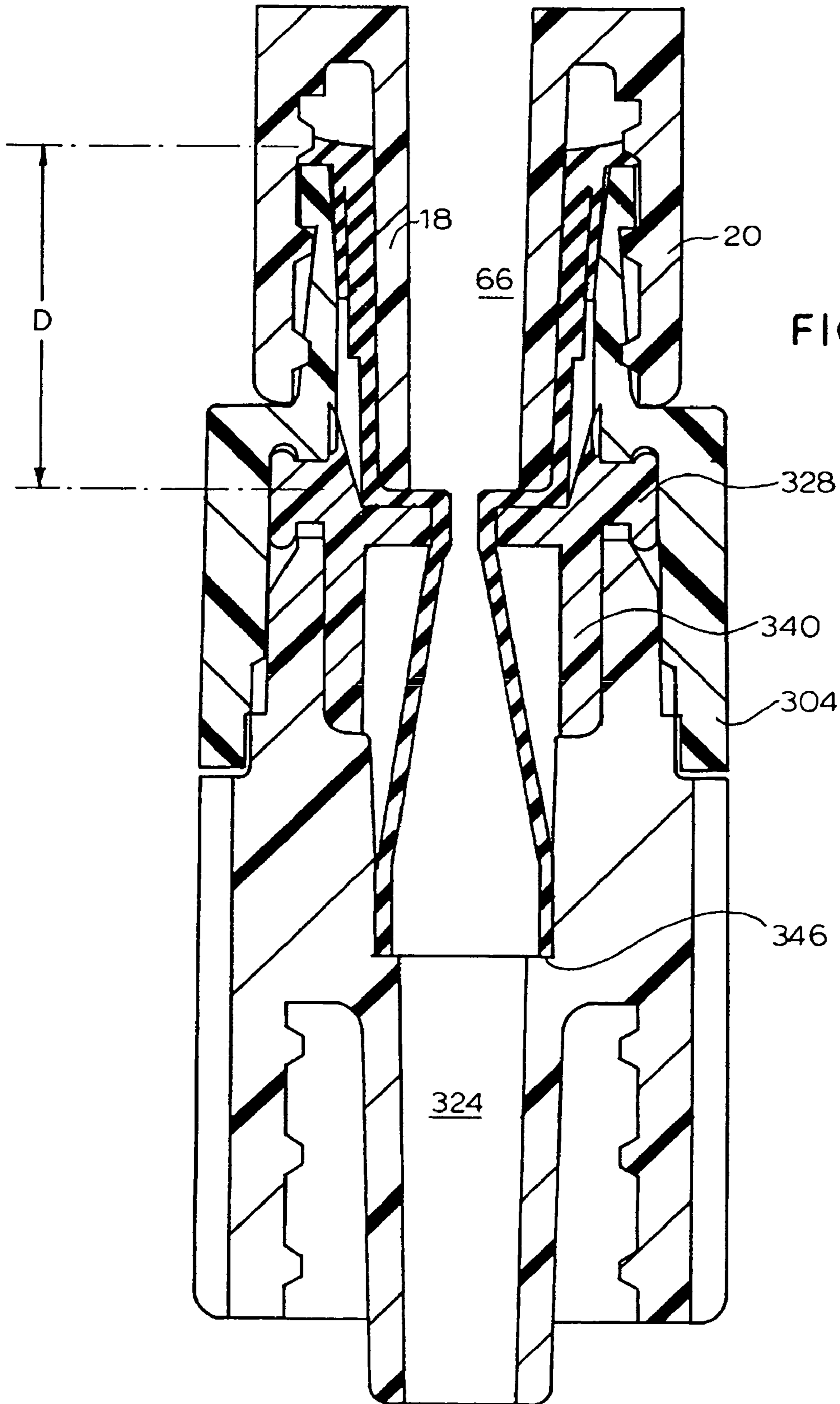


FIG. 8

FIG. 9





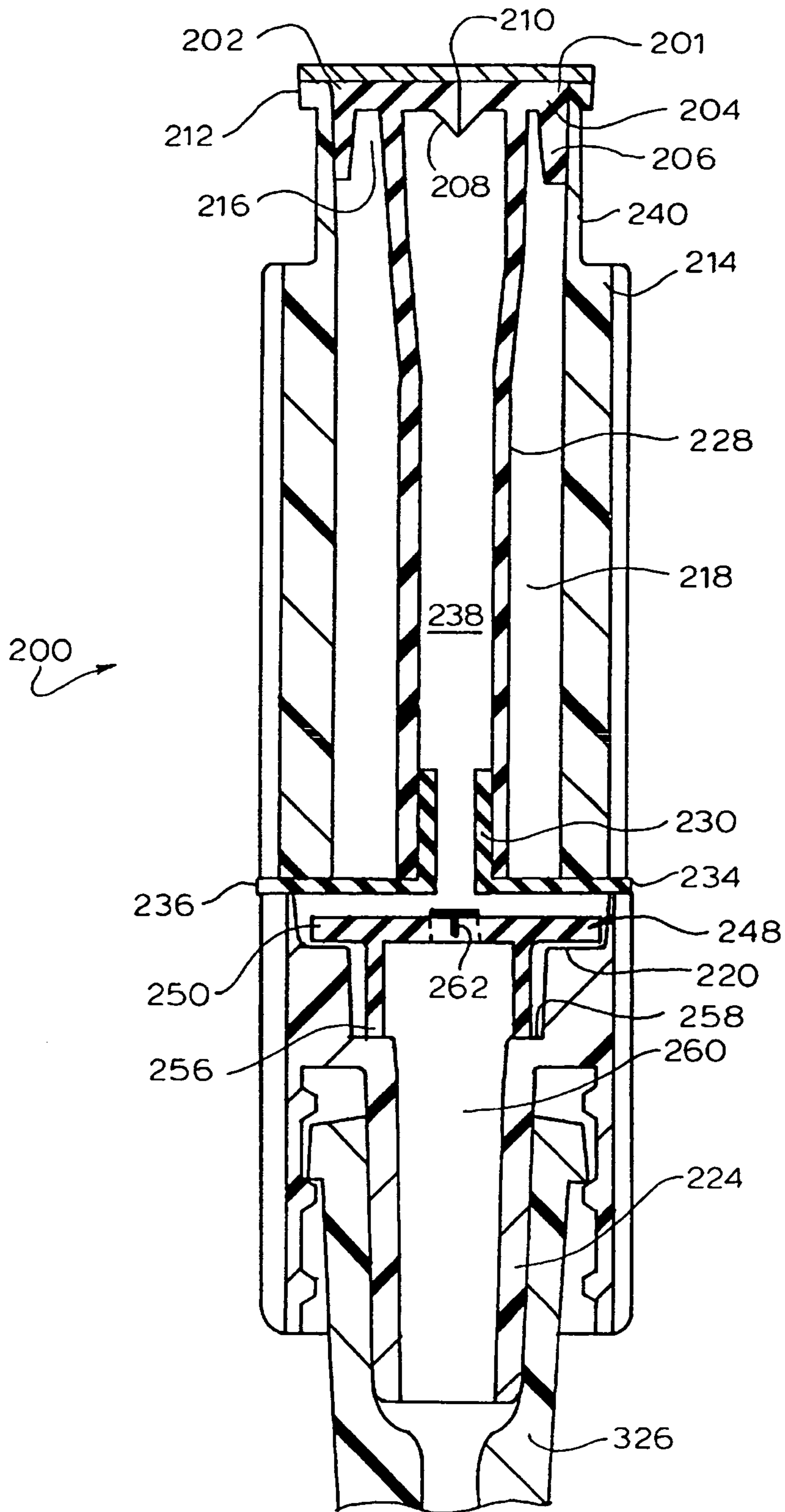


FIG. 11

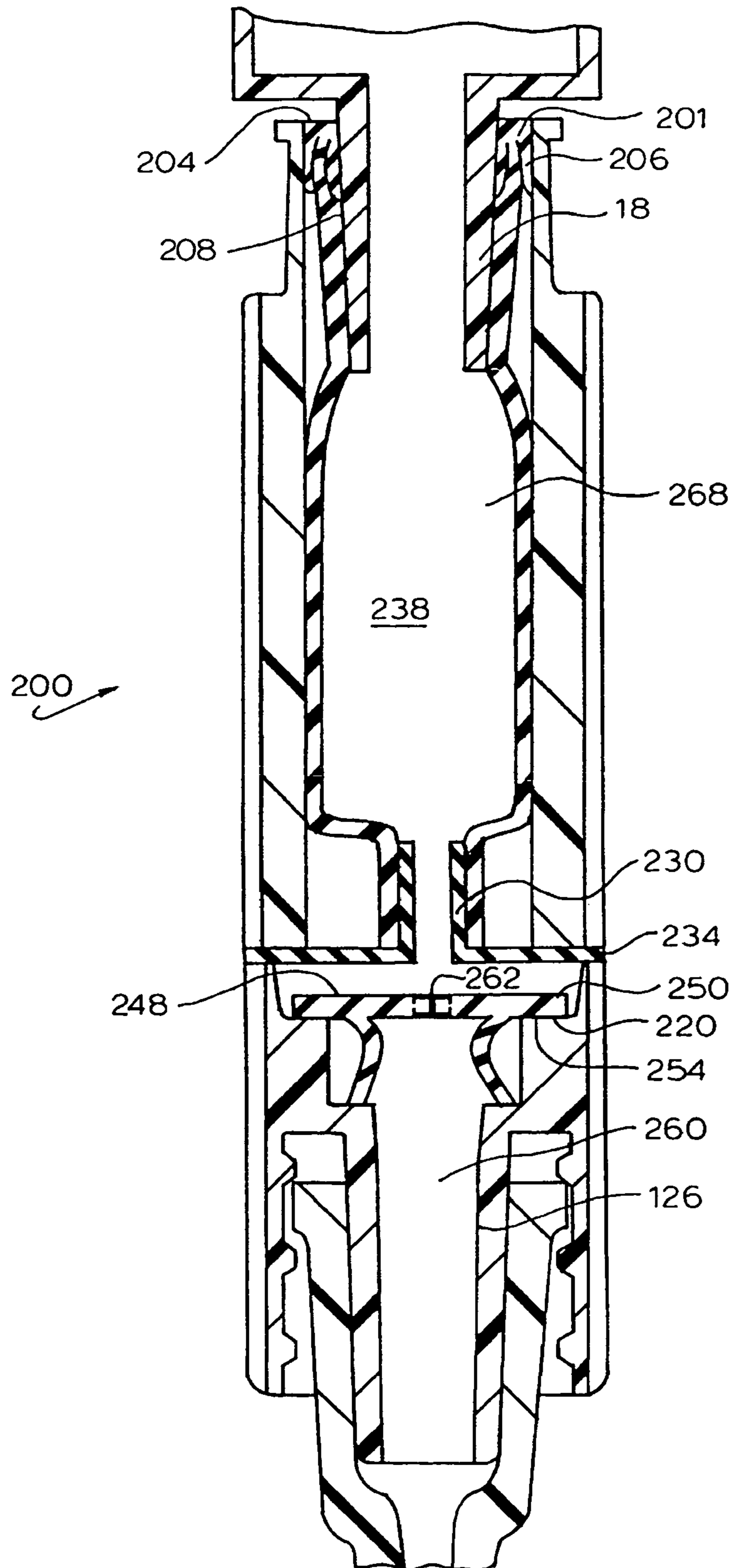


FIG. 12

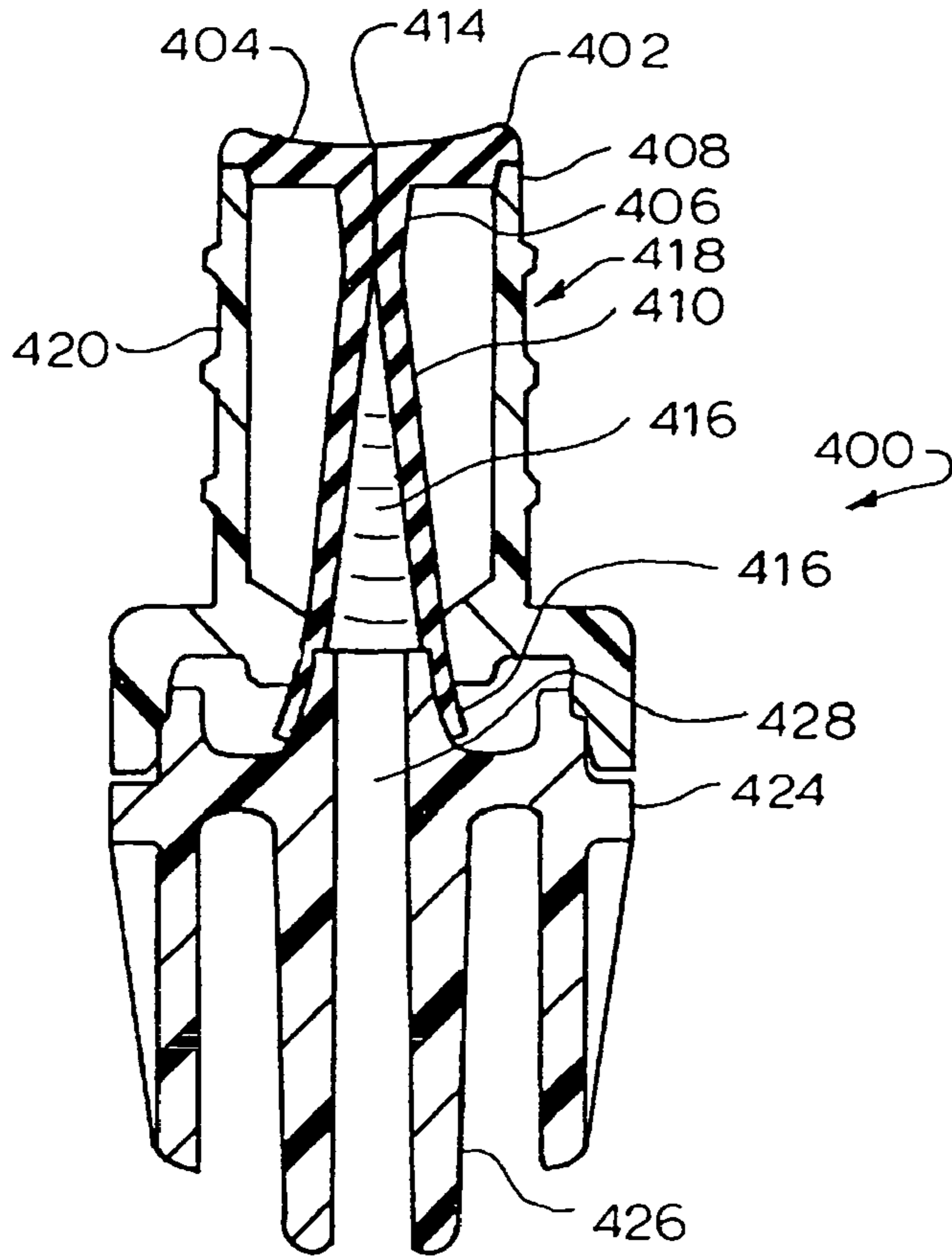


FIG. 13

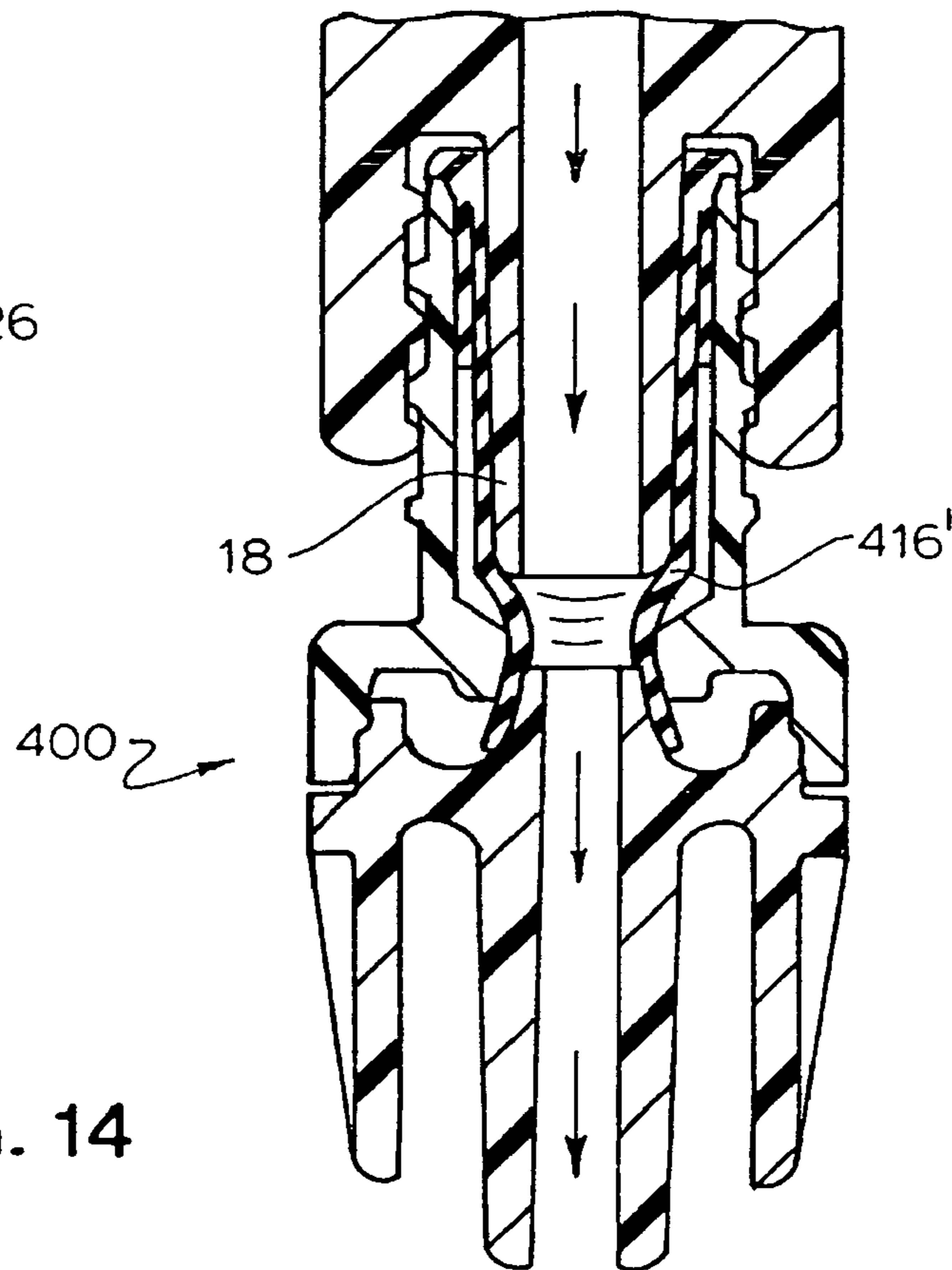


FIG. 14

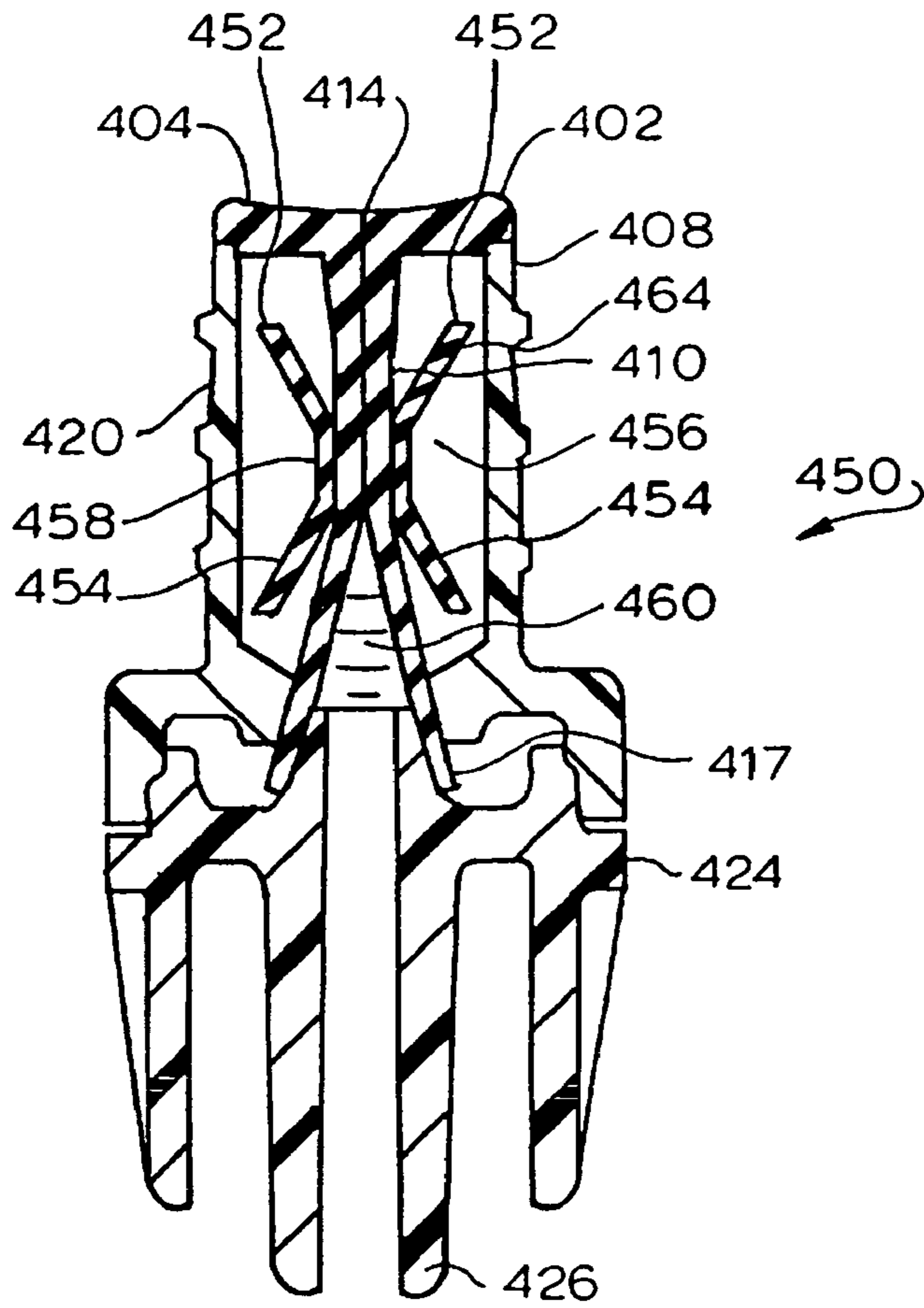


FIG. 15

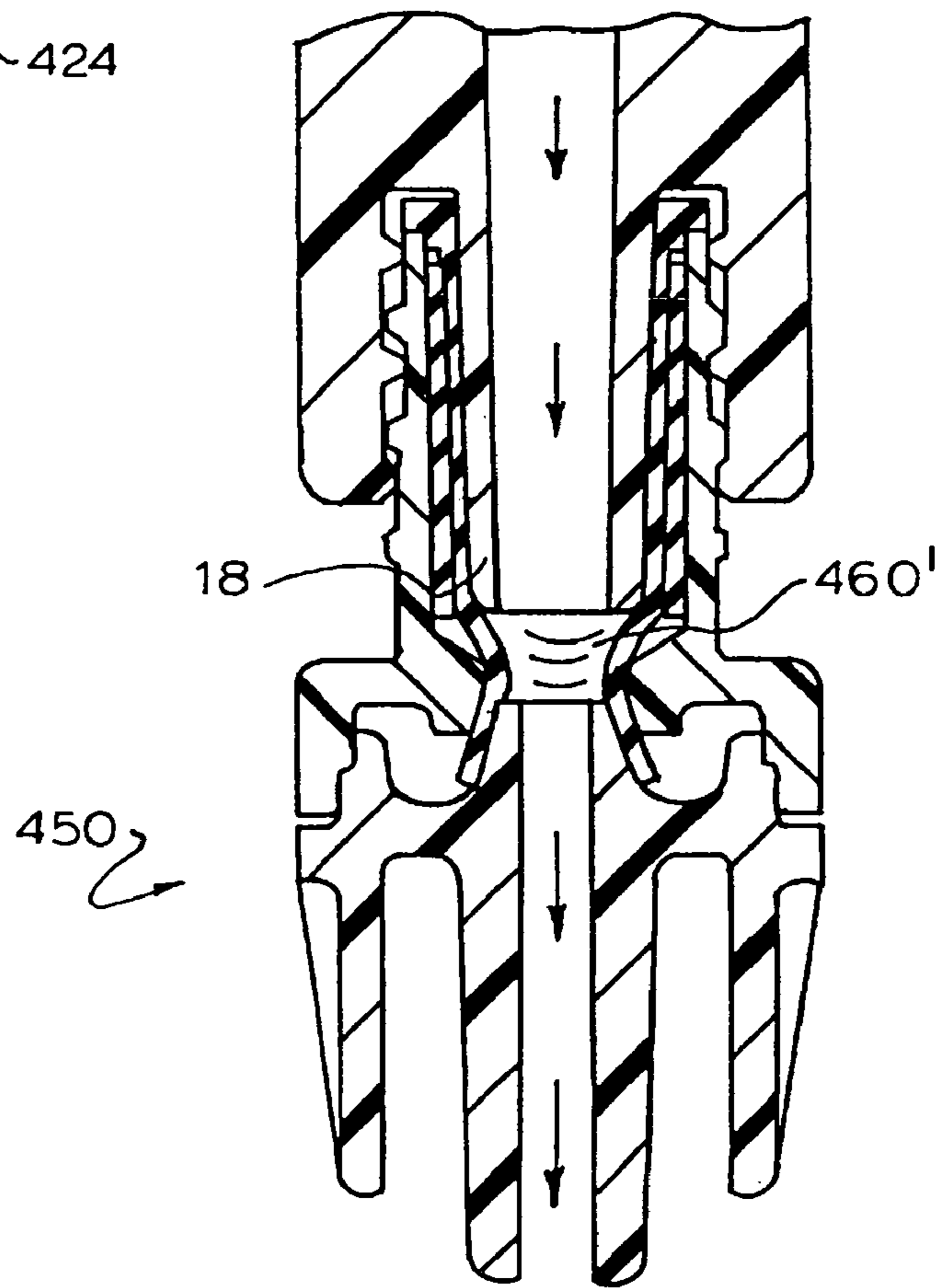


FIG. 16

NEEDLELESS CONNECTOR

Matter enclosed in heavy brackets [] appears in the original patent but forms no part of this reissue specification; matter printed in italics indicates the additions made by reissue.

This application is a continuation of application Ser. No. 09/081728, filed May 20, 1998 now U.S. Pat. No. 5,957,898, issued Sep. 28, 1999, claims the benefit of U.S. Provisional Application No. 60/047,161, filed May 20, 1997.

FIELD OF THE INVENTION

The present invention relates generally to needleless fluid connection devices and more specifically to a device for repeatedly establishing a sealed connection to a conduit or a container for medical applications.

BACKGROUND OF THE INVENTION

One very prevalent form of health care therapy is infusion or intravenous ("I.V.") therapy whereby fluids possessing desired medication or other characteristics are infused into a patient over varying lengths of time. To practice this infusion therapy frequently a connection needs to be made between components for the transfer of fluid between the two components, along a fluid passageway and eventually to a patient. As an example, administration sets are widely used to administer liquids parenterally to a patient and other medical devices are connected to the administration set to provide the proper administration.

One widely used connector for making a connection between medical devices to establish a fluid passageway is a luer connection assembly. In the luer connection assembly, a male luer tip component or fitting having a frustoconical shape is inserted into a female luer component or fitting having a frustoconical shaped receiving cavity and opposing conical surfaces come into contact to form a sealed friction fit.

Until the connection is made, the passageway through each of the luer fittings and into the lumen of a component attached to the luer fitting is open to the environment. This lumen and the passageway through the luer connectors form a portion of the fluid passageway and must be sterile prior to use and then sealed against microbial ingress during use. Thus, these connection assemblies and the associated components are packaged in sterile packaging and the connections are typically made just prior to establishing fluid communication with a patient's venous system.

There are two general types of luer connection assemblies. One type is generally referred to as the luer slip where the connection is maintained by the friction fit between the male luer tip and female luer component. The other type is generally referred to as a luer lock connection whereby the male luer tip is encircled by an annular flange having a threaded internal surface. The female component includes a corresponding thread formed about the outer surface. Engaging the threaded flange to the threaded outside surface establishes the connection between the male luer tip and female component while preventing accidental disconnects.

To insure a universal luer connections among components provided by a multitude of manufacturers, luer connection assemblies are manufactured to comply with universal standards. Very important sets of standards such as ANSI and ISO standards. These standards includes standard dimensions for

male slip and luer lock assemblies. Among these dimensional standards are standards which define the spacing or clearance between the annular locking flange and the male luer tip. Thus any female connection device configured to establish a connection to a standard male luer lock must be able to engage the luer tip and locking flange within this clearance or spacing.

Other standards in the ISO standards include several performance requirements for luer connections. One such requirement is that after a luer lock type connection is made, to prevent inadvertent disconnection, the luer connection should resist an axial removal force of 8 pounds and unscrewing torque less than 2.8 in/oz without disconnection. Luer connections should also hold a seal against 45 psi after a connection torque of 16 in/oz has been applied. In standard luer connections this resistance and sealing is supplied by the friction between the opposing conical surfaces.

Once a component of I.V. therapy is placed in fluid communication with the body, the fluid passageway should be sealed from the environment to prevent contamination and this passageway should also be sealed so as to not allow any leakage of bodily fluids into the environment. However, most therapies require periodic access to the fluid passageway. Because the portion of the fluid passageway through a female luer connection component is open to the environment, these components will not form a sealed connection to the fluid passageway after the fluid passageway is placed in fluid communication with the body.

In one prevalent example of intravenous therapy, fluid containing a drug in solution is injected into a primary flow of fluid from an I.V. solution container through an administration set to a catheter extending within a vein. The drug containing fluid may be injected from a syringe, secondary medication set or the like, into the set where it mixes with the flowing fluid. In another prevalent example, fluid is injected directly into or withdrawn from a catheter extending within the body. In addition the catheters are flushed periodically to maintain patency by the injection of small amounts of saline or heparin.

As can be appreciated, it is highly desirable to maintain catheters and administration sets in service as long as possible without compromising the safety of the patient. Replacement of catheters and sets is time consuming and expensive. Therefore over the period of time of use of a set or catheter there may be many connections and disconnects. For example, there may be over 100 connections and disconnects to a connection site on a catheter or set before the catheter or set is replaced. In addition a connection may be made and that connection maintained for an extended period of time before disconnection. For example a connection may be made for up to seven days of "indwell" and yet the connection should still be capable of accepting intermediate and subsequent connections and disconnects without allowing leakage to the environment.

Another highly desirable attribute of a connector is the ability for such a connector to seal against pressurized fluid found within a set or for the connector to possess a certain leak pressure in excess of a desired pressure. For example it is desirable for a connector to have a leak pressure which is in excess of 20 p.s.i. for a short period of time such as when a bolus administration of drug is injected into a set and a leak pressure excess of 6 p.s.i. of continuous pressure during infusion of medication.

In addition, a connector may be exposed to negative pressure particularly when such connector is located upstream of an inlet of an intravenous pump. Failure to prevent aspiration

through a connector when the connector is exposed to negative pressure may lead to an aspiration of air and/or microbes into the fluid passageway.

Depending on the application, many other features may be desirable. Dead spaces within any connector which cannot be "flushed" should be minimized or eliminated as they may form an environment for microbial growth. Also, priming volume for the connector should be minimized.

Because intravenous therapy is practiced on a worldwide basis and millions of connection sites are used every year and the costs of components used in such therapy are a factor in the cost of therapy, any desired connector should be capable of being manufactured at high speeds and low cost. Generally the lower the number of parts making up a component, the lower the number of molds and high speed assembly devices both of which generally translate to lower capital expenditures and therefore lower costs.

On the other hand, whatever the connector configuration, it is highly desirable that the connector be capable of low defect manufacture. Even a small number of failure is generally unacceptable when a single failure may put a patient or health care provider at risk.

Moreover, it is also highly desirable that any surfaces around an inlet into a connector be able to be swabbed or otherwise disinfected. Typically unbroken or smooth surfaces facilitate swabbing and other disinfecting techniques.

As mentioned previously, although luer connectors are widely found in the medical environment such connections are generally not acceptable when many of the above described requirements need to be satisfied. This is primarily due to the fact that the opening through the luer connector is not sealed so that upon disconnection the opening and the fluid passageway are open to the environment which would pose a health hazard to the patient.

Another factor which prevents use of luer connection assemblies in administration sets or injection sites is the inability for such a connector to seal against the pressurized fluid found within a set unless that connector is sealed or connected to a mating connector. The opening in a luer fitting will obviously allow such a pressurized fluid to leak.

To allow the sealed connections and disconnects to a fluid passageway extending in a set or catheter, on many sets there are one or more injection sites having a solid resilient septum in a housing are placed on the set or catheter. A sharpened needle is used to penetrate the septum to provide a connection to the fluid passageway. Although such connections possess many of the desired characteristics for sealed connections, the sharpened needles poses a needlestick hazard.

To combat the needlestick hazard, one embodiment of a needleless systems has been developed which utilizes a resealable septum formed with a slit and compressed within a housing. These needleless systems performed quite well; however, the septum can not be penetrated with a male luer tip and thus a blunt cannula is utilized having a diameter smaller than a male luer tip. If the device to which a connection needs to be made has a luer connector, these blunt cannula are generally attached to the luer fitting. The requirement of the blunt cannula potentially increases the costs of using these types of connectors.

Another type of needleless systems use connectors which are constructed to establish a connection directly with the male luer tip whether such luer tip forms a part of a luer slip or a luer lock. However connections which are to be established with a male luer tip in a manner similar to a luer lock connection described above must be capable of fitting within

the standard spacing between a luer tip and locking flange and should also meet other standards which have been set out for such connections.

Examples of these systems' connectors to establish a connection directly with a male luer tip are shown in U.S. Pat. No. 5,685,866, the disclosure of which is incorporated by reference herein. These connectors appear to all possess shortcomings which hinder widespread acceptance by medical practitioners. In general, all of these devices perform in an inferior manner when measured relative to the desirable qualities for connector devices discussed above and also in comparison to the performance standards of a injection site for a sharpened needle and resilient septum or a blunt cannula and pre-slit resilient septum

For example, several connectors utilize a resilient boot or other seal which is placed within a housing and collapsed by the introduction of a male luer tip. Upon removal of the tip, such collapsing boots must then recover to reseal the connection. Many of these boots stick in the collapsed position which leads to leaking. In addition these moving parts present an interface between the movable boot and housing into which fluid may flow and collect and such collected fluids form a fertile environment for microbial growth, and recessed surfaces and gaps are hard to disinfect. Moreover, the spikes act as flow restrictors and may impart severe turbulence to fluid as it flows through the openings in the spike. Furthermore, after withdrawal of a male luer tip the boots may not recover quickly enough to seal the entrance through the connector and the fluid passageway may be briefly exposed to the environment.

One type of such luer tip connectors has a spike within the housing which penetrates a collapsing boot. The spike has openings proximate an end adjacent the boot and form an internal passageway for the flow of fluid which is opened when the spike penetrates the collapsed boot and spreads the slit. Upon recovery, any slit or opening in the boot must reseal. However, the spike design has exhibited unsatisfactory leakage after a number of connects and disconnects which does not provide for extended use of a set or catheter.

In addition, these connectors have a multitude of parts which increases manufacturing costs and opportunities for malfunction. These designs also produce a connector having voids which cannot be flushed such that stagnant fluid may collect. Moreover, several of these device have potential passageways from voids within the housing but outside the primary fluid passageway, into the primary fluid passageway which may allow any microbial growth within the housing to enter the fluid passageway. Also the interface between the housing and boot is difficult to swab when the boot is in the uncompressed position.

A device described in U.S. Pat. No. 5,616,130, the disclosure of which is incorporated by reference herein, utilizes an elongated cam to spread open a slit in a collapsing boot, and would appear to possess several of the shortcomings of the spike and boot designs described above.

It is generally not a problem for the boot connectors to have ends which engage the male tip and locking flange on a standard luer lock. The sealing mechanism is below the end of the luer tip when the tip is engaged to the connector, thus there is a large amount of flexibility in the configuration of the end of the connector housing which engages the male luer lock.

To overcome many of these deficiencies, needleless connections which utilize a preslit septum as one of the components were developed. These connectors establish a connection with the penetration of the slit in the septum by the luer tip. One such connector is shown and described in U.S. Pat. No. 5,578,059, the disclosure of which is incorporated by

5

reference herein. In the disclosed valve, a resilient preslit septum is utilized to form an environmental barrier. The septum is sealingly captured or held to the housing by having a lower flange which is pinched between a retainer and housing. It appears that the radially extending portion having a slit is maintained in position by the column strength of an outer axially extending cylindrical portion extending upward from the lower flange. However the septum appears not to be capable of sealing against the pressurized fluid found in a set. Thus the valve uses a second lower check type valve to seal against the pressure.

To satisfy ISO dimensional standards and torque removal resistance standards the outer portion of the retainer is formed with a tapered threads so that the connection to a luer lock's straight thread design is similar to a standard NPTF/NPSI connection. The tapered thread design extends over the end of the housing that engages the threads on a male luer lock. Such a thread design may produce too rapid an increase in engaging force during the connection which may lead to a lock up of the luer lock to the connector.

Such a device suffers from several other drawbacks. The valve includes a number of components to make up the housing, the environmental valve and check valve, and this high number of components increases manufacturing costs. In addition, maintaining the septum in position by the column strength of the axially extending portion of the septum forces that portion to have a relatively large thickness. Thus for the septum, the axially extending wall and surrounding housing to fit within the clearance between the luer tip and the locking flange upon penetration of a male luer tip to a desired depth, the housing must be thinned. Such a thinned housing may fracture upon repeated connections and disconnects.

A second connector is described in U.S. Pat. No. 5,533,708, the disclosure of which is incorporated by reference herein. This connector also utilizes a preslit septum which is supported on an axially extending column having sufficient thickness to support the septum upon introduction of the male luer tip. The further provide sufficient column strength the axially extending portion is also formed with a specific tapered shape including a thickened lower portion. To seal the slit during introduction and removal of a luer tip, the underside of the pre-slit radial portion of the septum is formed with biasing ribs.

This connector also uses a retainer which pinches a lower radial flange to sealingly fix the septum to the housing. Thus the connector includes three separate pieces. In addition the thickened axially extending portion of the septum forces the retainer to be thinned such that to presumably supply strength to the retainer the stated preferred material for the retainer is metal which increases manufacturing costs. In addition it is believed that such valves will not exhibit satisfactory leak pressure after long periods of indwell, likely due to compression set of the septum material due to a perceived high level of compression of the septum material between the tip and retainer.

To supply the necessary unscrewing resistance, the retainer is tapered outward proximate the end to establish a frictional engagement with the threads on a male luer lock.

Another feature which is desired by some users, is that a connector not siphon fluid from an attached tubing or catheter into the connector upon removal of the luer tip as this may cause fluid to flow into the other end of the catheter which it is felt may lead to blockage of the tubing. In addition it is desired that a connector is provided which actually expels fluid from the connector upon removal of the luer tip and preferably expels such fluid in a controlled manner.

6

Therefore, it is a main object of the invention to overcome those disadvantages of the prior art which prevent widespread acceptance of needleless valves which do not require a blunt cannula.

There are other secondary objects, one or more if satisfied may promote market acceptance but satisfaction of each may not be necessary. One object of the present invention is to provide a needleless connector fitting which may be actuated by a male luer tip without using a sharpened needle or an adapter such as a blunt cannula or the like. A related object is to provide a connector which may engage a standard luer lock fitting. A further related object is to provide such a connector which may be coupled to a standard male luer lock and complies as much as possible with ISO and ANSI standards for luer connectors.

Another object of the present invention is to provide a connector which possess sufficient strength to avoid cracking or fracture.

It is a further object of the present invention to provide a connector device which utilizes a minimum number of parts and therefore minimizes opportunity for malfunction.

It is another object of the present invention to provide a connector device which is capable of providing for a large number of connections and disconnects while maintaining the ability to seal against fluids under pressures typically found in an administration set. A related object is to provide such a connector which is capable of providing a minimum of 100 connects and disconnects without compromising the performance.

It is yet a further object of the present invention to provide a connector which upon a disconnection, maintains a leak pressure of 6 psi. constant pressure and 20 psi transient pressure after 4 days of indwell.

It is a further object of the present invention to provide a connector which is capable of high speed manufacturing. It is a related object of the present invention to provide a connector which may be manufactured with a very low number of potential defects.

It is yet another object of the present invention to provide a connector which minimizes voids which cannot be flushed in which stagnant fluid can collect to form a media for microbial growth. It is a related object of the present invention to provide a connector which forms a sealed fluid path such that a minimum number of microbes enter the fluid path during operation using aseptic techniques. It is a further related object to provide a connector which requires a low priming volume.

It is still a further object of the present invention to provide a connector which minimizes or eliminates flow restrictions for the flow of fluid through the connector. In addition it is an object to provide a connector having smooth unbroken surfaces about any inlet to facilitate aseptic techniques.

It is yet another object of the present invention to provide a connector which forms a continuous closed system which seals the fluid passageway from the environment during and after insertion of a male luer tip and instantaneously after withdrawal of the luer tip.

It is a further object of the present invention to provide a connector which does not siphon fluid into the connector from an attached medical device upon removal of a luer tip. A related object is to provide a connector which provides a flow of fluid from the connector during and possibly after removal of the luer tip.

SUMMARY OF THE INVENTION

The above main object is satisfied by connector utilizing a resealable valve having an opening extending through at least

a portion of the valve. The valve is resiliently restrained relative to a housing with the valve and housing configured to accept a penetrating member having a tip which penetrates the valve through the opening.

One or more of the secondary objects are satisfied by a valve uniquely configured to seal against pressures typically found in fluid passageways which are in fluid communication with the body. Preferably the resealable valve is a septum and the septum and housing are uniquely configured to accept male luer tips. In one embodiment, the septum includes an upper generally disk shaped upper portion covering an opening defined by the housing and a portion extending downward from the upper portion with the valve opening extending through both the upper and lower portion.

The upper portion of the valve is resiliently retained relative to the housing by integral attachment with an annular skirt and the skirt may be attached to the interior surface of the housing in a first embodiment and surrounding and attached to an exterior surface of the housing in a second embodiment.

BRIEF DESCRIPTION OF THE DRAWINGS

FIG. 1 is a section view of a first embodiment of a needleless connector of the present invention;

FIG. 2 is a section view of the connector of FIG. 1, shown connected to a male luer tip;

FIG. 3 is a section view of a septum forming a part of the connector of FIG. 1;

FIG. 3a is a bottom plan view of a septum forming a part of the connector of FIG. 1;

FIG. 4 is a section view of a second embodiment of a needleless connector of the present invention;

FIG. 5 is a section view of a septum forming a part of the connector of FIG. 4;

FIG. 5a is a bottom plan view of a septum forming a part of the connector of FIG. 4;

FIG. 6 is a perspective view of the connector of FIG. 4;

FIG. 7 is a sectional view of a connector similar to the connector shown in FIG. 4 included as a part of a Y-site;

FIG. 8 is a third embodiment of the needleless connector of the present invention;

FIG. 9 is a section view of an alternate embodiment of a needleless connector of the present invention;

FIG. 10 is a section view of the connector of FIG. 9 shown connected to a male luer tip;

FIG. 11 is a section view of a further alternate embodiment of a needleless connector of the present invention; and

FIG. 12 is a section view of the connector of FIG. 11 shown connected to a male luer tip;

FIG. 13 is a section view of a further alternate embodiment of a needleless connector of the present invention;

FIG. 14 is a section view of the connector of FIG. 13 shown connected to a male luer tip;

FIG. 15 is a section view of a further alternate embodiment of a needleless connector of the present invention; and

FIG. 16 is a section view of the connector of FIG. 15 shown connected to a male luer tip.

DETAILED DESCRIPTION

The following description is not intended to limit the claimed invention to the described embodiments and the disclosed combination of features in the various embodiments might not be absolutely necessary for the inventive solution.

Referring to FIG. 1, a first embodiment of a connector device of the present invention is generally indicated at 10. The connector 10 generally provides multiple fluid connec-

tions with a penetrating member 12 (FIG. 2). In an example, the connector 10 may be attached to a conduit 14 in fluid communication with the human body. The conduit 14 may be a peripheral catheter 15, medical tubing or the like and forming a passageway 16 in fluid communication with the body for the flow of fluid to or from a body. The connector 10 may also be attached to other devices such as a vial or vial adapter (not shown) or the like or the connector may be used in lieu of open female luer fittings such as fittings on stopcocks.

Referring to FIG. 2, in an example, the penetrating member 12 is preferably a male luer slip or luer lock 13 conforming to ANSI or ISO standards; however, examples of other members, with appropriate modifications to the housing and septum, may include blunt cannula, needles, specially designed connectors or the like. The luer lock 13 includes a luer tip 18 which, in the embodiment shown, is encircled by a locking flange 20 and forms the end of a syringe 24. Other devices which may utilize a penetrating member 12 include I.V. sets, blood collection and peritoneal dialysis devices and the like.

Referring also to FIG. 1, the connector 10 includes a housing 26 and an elastic and resilient resealable member 27, preferably a septum 28, disposed at an upper end 30 of the housing to seal an opening 32 defined by the upper end 30. The septum 28 is operably connected to the housing 26 with a central portion 34 elastically restrained relative to the housing such that the central portion 34 may be stretched downward into the housing as the penetrating member 12 is inserted into the opening. The central portion 34 elastically retracts upon removal of the penetrating member 12. The housing 26 forms an axially extending passageway 36 which extends downward from the opening 32 and is in fluid communication with the lower passageway 16 defined by the conduit 14. The resealable member 27 is uniquely configured to seal the opening 32 when the central portion 34 is in the occluding position shown in FIG. 1.

The central portion 34 of the septum 28 has a generally disk shaped upper portion 38 and a lower portion 40 extending axially downward within the passageway. A resealable opening 44, such as a slit 46 extends downward preferably through both the upper portion 38 and lower portion 40. It is anticipated that the opening 44 may be formed so that initially the opening may extend only through a portion of one or both of the upper and lower portions 38, 40; however, extending a penetrating member 12 completely through the septum 28 will force the opening to also extend completely through the septum 28. Preferably the opening 44 is configured in such a manner such that when the penetrating member 12 extends completely through the septum 28 the upper and lower portions 38, 40 are elastically stretched about the penetrating member to seal against leakage through the interface between the penetrating member and the septum.

The slit length in the horizontal direction is preferably shorter than one half the circumference of the tip end of the luer tip 18.

As shown in FIGS. 3 and 3a, in the first embodiment, the lower portion 40 forms a generally rectangular horizontal cross section. Vertically extending sidewalls 48 and end walls 50 are slightly tapered so that the lower portion 40 forms a trapezoidal vertical cross section which facilitates molding and orienting the septum during manufacturing particularly when forming an opening 44. The opening 44 may extend straight downward or be oriented at an angle relative to the vertical. In addition, the opening 44 may be a slit 46 or may be curved or slightly helically rotated to promote the sealing of the opening.

Referring back to FIG. 1, the septum 28 includes an annular skirt 52 which extends downward within the passageway 36

and is attached to the inner surface 54 of the housing 26 to elastically restrain the central portion 34 relative to the housing. The attachment is preferably made by adhesively bonding an outer surface 56 of the skirt 52 to the inner surface 54. Because displacement of the central portion 34 into the pas-
 5 sageway 36 by the luer tip 18 (FIG. 2) applies shear stress to the attachment between the skirt 52 and housing 26, the septum 28 includes a radial lip 58 which extends over and is attached to an upper edge 60 of the housing. The attachment of the lip 58 and edge 60 at least partially supports the skirt 52
 10 and aids in resisting the shear forces. In the first embodiment, the attachment between the lip 58 and edge 60 is by an adhesive bond in the same manner as the attachment of the housing and the skirt 52.

Referring to FIG. 2, to insure universal connectivity, it is preferable that dimensions of luer connecting devices are standardized to ISO standards. For example, the dimensions of the luer tip 18 including the taper are set by the standard. Similarly threads 64 on the inside of the locking flange 20
 20 define a clearance radius which is set by the standard. As can be appreciated, when the male luer tip 18 extends within the connector 10 and the locking flange 20 extends about the exterior of the connector, the size of the connector and its components are constrained within the spacing between the luer tip and locking flange. Also, according to ISO standards, the male luer tip 18 should be able to penetrate to a desired insertion depth "D" of 0.300 inches which additionally con-
 25 strains the size of the connector 12 and its components particularly about the upper end 30 of the housing 26 which must fit within the spacing between the luer tip 18 and locking flange 20.

In FIG. 2 the luer tip 18 is shown forcing the septum 28 into an open position. In particular the tip 18 extends through the opening 44 to the desired depth D, establishing fluid commu-
 35 nication between a passageway 66 in the tip 18 and the passageway 36. To minimize any flow restriction, the passageway 36 adjacent the tip 12 is preferably open to the passageway 16 without any secondary valves or other obstructions to fluid flow. The upper portion 38 of the septum 28 pivotally deforms downward, stretches and extends along the annular skirt 52 and the outer surface 68 of tip. In addition the lower portion 40 of the septum 28 extends downward and stretches about the outer surface 68, and establishes a seal about the tip 18.

Referring briefly back to FIG. 1, upon removal of the tip 18, the septum 28 resiliently retracts into its closed position.

When the tip 18 is inserted into the connector 10 to the desired depth D, there is a limited amount of annular space between the housing 26 and tip into which portions of the septum 28 may be displaced; however, the septum must be configured and sized to seal before, during and after extension of the penetrating member 12 through the opening 44 to form a closed system.

Referring to FIGS. 1 and 2, in several applications in the medical environment, it is highly desirable that connectors be configured to seal against a pressure of 20 psi. As noted above, in various connector designs using a pre-slit septum and blunt cannula penetrating member, as described in U.S. Pat. No. 5,135,489, incorporated by reference herein, the sealing is accomplished by utilizing a thickened septum and a housing to radially compress the septum thereby sealing a slit extending through the septum. When a blunt cannula of small diameter is forced through the slit, the septum is additionally radially compressed which seals about the cannula, and there appears to be little displacement of portions of the septum in an axial direction.

However, even if a luer tip 18, with its much wider diameter relative to the housing opening than the blunt cannula relative to the corresponding housing opening, could be forced through the slit in such a septum, there is little room in the radial direction to provide a receiving space for the displaced mass of the septum. Thus, the necessary insertion force would likely be too much for most medical practitioners. However, it has been found that thinning the septum 28 to allow displacement and accommodation of the septum between the tip and housing while maintaining the same radial compression does not provide the septum with the ability to seal against a pressure found in fluid passageways i.e. "leak pressure", found during intravenous therapy. Unexpectedly, increasing the radial compression of the thinned septum does not appear
 15 to provide a corresponding rate of increase in the leak pressure of the connector 10.

Forming the septum 28 with a thinned upper portion 38 and a downwardly extending lower portion 40 and providing that the opening 44 extends downward through the lower portion 40 in addition to the upper portion 38 greatly increases the leak pressure without requiring a corresponding large increase in septum thickness or compression. Moreover, tests have shown that the length "L1" (FIG. 3) of the lower portion 40 is related to increasing the leak pressure. But, increasing the mass of the septum 28 by increasing the length L1 of the lower portion 40 which must be accommodated within the housing 26 when a luer tip 18 penetrates the resealing member 28, increases the insert force and could possibly prevent the tip 18 from extending entirely through the opening 44.

The first embodiment's configuration of a unique combination with a predetermined length L1 of the lower portion 40, thickness and compression of the upper portion 38 gives the connector 10 a leak pressure of more than 20 p.s.i while presenting an acceptable insert force. Other features of the configuration of the first embodiment is the ability to provide a reseal, after multiple insertions of the luer tip and long periods of luer tip indwell, against a pressure of 6 p.s.i.

As an example, in the first embodiment, forming the septum with the upper portion 38 having a thickness of 0.040 inches and a 3.5% radial compression or greater and the lower portion 40 having a length L1 of about 0.080 inches (giving rise to a opening length of 0.125 inches) yields a connector 10 which may accept the luer tip 18 to the desired depth D while maintain a leak pressure in excess of 20 p.s.i.

Referring in particular to FIGS. 3 and 3a, preferably the lower portion 38 is formed with a width "W1" of approximately 0.060 inches and a length "L2" of about 0.190 inches. The annular skirt 52 is formed with a thickness of about 0.010 inches. The top surface 70 of the septum 28 is slightly concave to lessen the amount of material being forced into the housing 26 upon insertion of the tip 18 through the opening 44. It is envisioned that the top surface 70 may be flat or have a convex surface or a combination, also. In addition, the top surface 70 is formed unbroken without crevices or other pockets which facilitates disinfecting of the septum 28 with normal aseptic techniques such as swabbing. Also the septum 28 is formed so that the top surface extends completely over the upper end 30 of the housing to present a visually appealing top surface.

Referring back to FIG. 1, to be able to accommodate the standard dimensions of luer fittings, the housing 26 is configured to form a passageway having a diameter "D1" of 0.235 inches. To facilitate insertion of the septum 28 during assembly, the upper end of the passageway 36 is tapered outward so that a slightly larger diameter of 0.250 inches is formed at the opening 32.

Referring to FIG. 2, as can be appreciated, inserting the tip 18 and compressing the upper portion 38 and possibly the

11

lower portion against the annular skirt **52** should produce a thickness layer of at least 0.050 and 0.040 inches respectively. However, when inserting one embodiment of a penetrating member **12** having standard luer dimensions to a desired depth *D* of 0.300 inches should only provide an annular clearance of 0.030 inches between the tip and housing **26**. Unexpectedly, the elastic material of the septum elongates upon stretching and deforms into this small clearance dimension, while not exhibiting too low a leak pressure after long periods of indwell due to compression set of the septum **28**.

Referring again to FIG. 3a, the lower portion **40** is formed with rounded corners **74** to form a gap **77** between the lower portion and skirt **52**. The rounding of the corners **74** allows the sidewalls **48** and slit **46** to be as long as possible while still providing the gap between the lower portion **40** and skirt **52**. Attaching the sidewalls **48** to the skirt **52** without providing a gap may contribute to unequal stretching and deformation of the lower portion **40** about the tip **18** during insertion of the tip resulting in leakage. To create the gap **77** the valve member **27** at the gap **77** has a vertical thickness less than the length *L1* of the lower portion. Preferably the gap **77** is formed such that the vertical thickness of the valve member **27** at the gap is equal to the thickness of the upper portion **38** of the septum **28**.

At the juncture between the central portion **34** and skirt **52** a sharp corner is formed which establishes a hinge point **78**. The hinge point **78** which extends about the housing for the entire circumference of the opening **32** also facilitates the flexing and deformation of the septum **28** during insertion of the tip **18**.

In an embodiment, the septum **28** is formed of a elastic, resilient material provided by the West Company of Lionville, Pa. It is anticipated that lubricating the septum **28** should facilitate insertion of the luer tip **18**. Such lubrication may be applied while forming the slit or by other means such as incorporating the lubrication into the septum material or by applying lubricious coatings to the top surface. In a second embodiment, the septum **28** may be formed of a similar material, such as chlorinated polyisoprene produced by Lexington Medical of Rock Hill, S.C. In addition, the slit may be lubricated after assembly of the housing and septum using silicon oil produced by Dow Corning of Midland, Mich. The housing **26** is rigid and preferably formed of DN003 from Eastar of Kingsport, Tenn.

Although the housing **26** is shown as forming a luer connection **84** at a lower end, the housing may also be formed as a part of any device into which is it desirable to establish a sealed connection such as the injection arm of a Y-site **86** (FIG. 7), as an inlet on a stopcock or manifold (not shown) or the like. In addition the lower end of the housing **26** may be integrally formed with a catheter **15** with a guidewire (not shown) extending upward through the opening **44**. Referring also to FIG. 6, particularly when used as an injection site for a catheter **15**, the exterior of the housing **26** is formed with a number of longitudinally extending indentations **86** which facilitate gripping of the connector **10**.

Referring to FIG. 1, to provide for a threaded engagement with a locking flange **20** the upper end **30** of the housing **26** may be formed with a pair of radially extending ears **88** configured to engage the threads **64**. Referring to FIG. 4, alternately threads **90** may be formed on that portion **92** of the housing **26** which will engage the threads **64** on the flange **20**.

Preferably the housing **26** is molded as a single piece utilizing molds with a large number of molding cavities to facilitate high speed manufacturing operation. Similarly the valve member **27** is preferably formed as a single piece in a high speed molding operation, and the shape of the lower

12

portion **40** is particularly suited to register the valve member **27** in a desired orientation for fashioning an opening **44** therein.

Referring to FIGS. 4-6, a second embodiment of the needleless connector of the present invention is generally indicated at **100** and is particularly suited to a large number of connections and disconnects with a standard male luer lock **13** (FIG. 2) without unacceptable leakage. In addition, elements in the second embodiment corresponding to elements in the first embodiment **10** are labeled with the same reference number.

The connector **100** includes a housing **102** and an elastic and resilient resealable valve member **104** disposed at an upper end **106** of the housing. The valve member **104** includes the central portion **34** and lower portion **44**; however the valve member **104**, preferably a septum **105**, also includes an annular skirt portion **108** which extends about and surrounds an upper portion **110** of the housing **102** adjacent the upper end **106**. Preferably the skirt **108** is bonded to the exterior surface **112** in a specified manner to attach the valve **104** to the housing **102** and elastically restrain the central portion **34** during insertion of the luer tip **18** (FIG. 2).

Referring to FIGS. 4, 5 and 5a, it has been found that the manner in which the valve **104** is configured relative to and attached to the housing **102** has an important effect on the ability of the connector **100** to achieve the desired performance standards. Preferably the valve **104** defines a circular annular receiving channel **118** between the central portion **34** and the skirt **108**. The upper end **106** of the housing **102** is received in the channel **118** and bonded to the valve **104** in a desired manner.

The central portion **34** is configured such that the upper edge portion **106** applies a 6 to 7% compression on the central portion. To provide adequate reseal, it is desired that the upper portion **40** of the valve **102** form a thickness of 0.60 to 0.50 inches and the lower portion define a length *L3* of 0.080 inches.

Preferably the lower portion **40** is formed with a width "W2" of approximately 0.060 inches and a length "L4" of about 0.165 inches. The annular skirt **108** is formed with a thickness of about 0.010 inches. The top surface **70** of the septum **28** is slightly concave to lessen the amount of material being forced into the housing **102** upon insertion of the tip **18** (FIG. 2) through the opening **44**. It is envisioned that the top surface **70** may be flat or have a convex surface or a combination, and is adapted to disinfecting techniques such as swabbing.

At the interface between the central portion **34** and upper end **106** of the housing **102**, the valve member **104** forms a sharp corner and thereby forms a hinge point **78**. Similar to the first embodiment **10**, lower portion **40** is spaced from the housing to form a gap **77**.

It has been found that bonding an upper landing **117** defined by an upper edge **116** to the valve **104** and about the entire circumference of the of the upper edge is important in the ability of the connector **100** to maintain a satisfactory leak pressure and increasingly important to maintain the leak pressure after 100 or more connections and disconnects. The bonding also anchors the septum **28** to the upper edge and prevents a rubbing between the septum **28** and upper edge **116** as the septum is elastically stretched during insertion of the tip **18**.

Bonding between the exterior surface **112** and the inner surface of the skirt **108** is also important, but migration of any bonding agent to the interface between the central portion **34** and housing **102** should be minimized. If adhesive collects in the interface about the septum **28** and interior surface **119**

13

cracking of the housing **102** or compression set of the septum **28** with corresponding leakage after long periods of indwell may result.

One preferred method of applying bonding agent to the housing **102** such that the upper landing **117** and exterior surface **112** receive such agent while minimizing migration to the interior of the housing is minimized is by placing the housing **102** in a vertical position with the upper edge **116** facing downwards. Bonding agent is applied, preferably by injection, to the exterior surface **112** and gravity causes the agent to flow down and wet the landing **117**. Gravity also hinders any migration of the bonding agent into the interior surface of the housing **102**. A further preferred step includes inserting the upper end portion **110** of the housing **102** into a chamber (not shown) and applying a negative air pressure below the housing **102** such that air flows downward along the housing which also hinders migration of the bonding agent upwards into the interior of the housing.

It has been found that a UV curing adhesive, such as Loctite **3011**, **3311** and **3301** from Loctite Corporation of Rocky Hill, Conn. may be utilized as a suitable bonding agent for any of the connectors **10**, **100**, **200**.

The bonding agent should be cured for a sufficiently long period of time.

Referring to FIGS. **4** and **6**, to provide for threaded engagement with the locking flange **20**, threads **90** extend along a portion of the exterior surface **112**. The upper end **127** of the threads **90** are spaced from the upper edge **116** of the housing **102** to form a surface **124** free of threads, ridges or the like to facilitate the bonding of the skirt **108** to the surface **124**. In a preferred embodiment the surface **124** is also formed with very little if any draft or taper so that the skirt **108** does not creep upward during setting of the bond between the valve **104** and housing **102**. Preferably the skirt **108** extends downward along the housing **124** for a length **L5** of about 0.07 to 0.08 inches

Referring also to FIG. **2**, to minimize shredding of a lower edge **126** of the skirt **108** by the threads **64** on the locking flange **20** during removal of the penetrating member **12** it is important that such threads do not catch on the edge **126**. Thus it is desired that the lower edge **126** be separated from the upper edge **127** of the threads **90** such that the width of a defined gap **128** is less than the width of the threads **64**.

To facilitate a releasable engagement of the penetrating member **12** to the connector **100** and to minimize or eliminate any shredding of the skirt **108**, the skirt **108** may be provided with a thickness such that there is minimal interference between the skirt **108** and the inner edge surfaces **64a** of the threads **64** on the locking flange **20**. However the smaller the diameter defined by the skirt **108** with a given skirt thickness and housing thickness, the smaller the volume which must accommodate both the penetrating member **12** and valve **104** upon insertion of the member **12**.

It has been found that providing a housing **102** with the upper portion **110** having an external diameter of 0.25 inches and defining an opening **144** with a diameter of 0.22 is desired to provide the proper clearance between the skirt **108** and locking flange **20** of an ISO standard luer connection and yet also provide a housing with sufficient wall strength to resist fracture and provide sufficient space for the displaced septum **28** and luer tip **18** when the luer tip is inserted into the housing **102**.

Referring to FIG. **4** in conjunction with FIG. **2**, the frustoconical shape of an ISO standard luer tip defines a diameter ranging from 0.155 in. to 0.175 inches. Thus when an ISO standard luer tip **18** is inserted the desired insertion distance **D**, it would be expected that the tip and housing **102** define a

14

clearance therebetween of 0.031 to 0.021 inches. What is surprising is that upon insertion of a male luer tip **18**, the valve **102** having an upper portion **38** with a thickness of about 0.055 inches extends about the luer tip and is compressed within the smaller clearance without requiring an unacceptable insertion force. In addition, although one may expect some compression set of the septum **28** due to the compression between the tip and housing which would lead to leakage after long indwell problems, it has been unexpectedly found that the valve member **104** maintains an adequate leak pressure after long periods of indwell.

As illustrated in FIG. **7**, the displacement and compression of the septum **28** into the space between the tip **18** and housing **102** during insertion of the tip substantially fills the space between the lower portion **40** and housing **102** for a depth corresponding to the majority of the extended length of the lower portion about the tip **18**. The compressed septum **28** displaces or flushes any fluid that has collected in this space. The injection of the fluid from the tip **18** into the interior of the housing **102** flushes any remaining spaces within the housing. Thus stagnant pockets of fluid are avoided. The filling of the passageway **36** with the tip **18** and displaced septum **104** also reduces priming volume to a low level.

Referring to FIG. **7**, an embodiment of the needleless connector of the present invention is generally illustrated at **130**. In particular the connector **130** is shown as forming part of a Y-site connection assembly **86**. As is generally known in the field, Y-site connection assemblies **86** are particularly suited for adding supplemental fluid to a flow of fluid along a primary flow path **132** extending from an upper or entry section **134** of attached tubing, through the Y-site assembly **86** and out along a lower or exit section **136** of attached tubing.

The needleless connector **130** is shown as generally corresponding to the second embodiment of the needleless connector **100**, however, the resealable valve member **140** and housing **138** proximate the valve member may be shaped to correspond to the housing and valve member of either the first embodiment **10**, second embodiment **100** or the later described embodiment **200**.

As can be appreciated, once the luer tip **18** penetrates the valve member **140**, the passageway **66** in the tip is placed directly in fluid communication with that portion of the primary flow path **132** extending into the exit section **136** without any intermediate valves so any flow restriction is reduced.

Referring to FIG. **8**, a third embodiment of the needleless connector of the present invention which is preferred, is generally indicated at **200**. The third embodiment **200** has a housing **202** and includes the resealable valve member **104** described in relation to the second embodiment **100**. The housing **202** is similar to the first embodiment **100** except that a housing portion **204** below the gap **128** has been altered so that connector **200** provides a higher removal resistance torque. Elements in the third embodiment **100** corresponding to elements in the first or second embodiment are labeled with the same reference number.

In particular, the housing **202** includes the upper portion **110** having the surface **124** of a generally constant outside diameter over which the skirt **108** extends. A middle portion **206** extends downward from the upper portion **116** and a lower portion **208** extends downward from the middle portion. The lower portion **208** preferably defines a generally constant diameter greater than the diameter defined by the upper portion **116**. The middle portion **206** is formed to provide a transition from the upper portion **116** to the relatively wider lower portion **208**. Preferably the middle portion **206** is frustoconically shaped.

Referring to FIGS. 2 and 8, the housing 202 defines a set of double start threads 210 which extend downward along the housing about the middle portion 206 and lower portion 208. In the preferred configuration, the threads 210 define a constant major diameter as the threads extend along the lower and middle portions such that the height of the threads decreases as the threads move downward along the middle portion. However the diameter defined by the lower portion 208 is greater than the minor diameter defined by the internal threads 64 on the locking flange 20 such that there is a sliding frictional engagement between the threads 64 and middle and lower portions 206, 208. The frictional engagement allows the connector 200 to provide an acceptable removal resistance torque for an attached luer lock when the tip 18 has penetrated to the desired insertion depth D.

Utilization of an upper portion with a surrounding skirt 108 defining a diameter approximately that of the standard major diameter of threads 64, a frustoconical middle portion 206 defining a diameter increasing from a diameter less than the diameter defined by the skirt 108 to the diameter of the lower portion 208 and the lower portion defining a diameter greater than the minor diameter of the internal threads 64 imparts a feel to the user similar to connecting to a standard female luer connection.

When the user first inserts the locking flange 20 over the connector 200, slipping the flange over the upper portion 116 and surrounding skirt 108 promotes centering of the luer tip 18 relative to the connector 200 and minimizes the opportunity for cross threading. As the tip and flange 20 continue over the connector 200, the threads 64 then engage the threads 210 and the connector 200 must then be rotated relative to the flange 20 to threadingly engage the flange 20 to the connector 200.

During rotation, the tip 18 extends through the opening 44 and rubs against the valve 104 however such contact supplies very little resistance to turning. The threads 64 engage the middle portion 206 and a sliding frictional engagement begins and the required torque to advance or unthread slowly increases as the tip is rotatably advanced. The threads 64 then engage the lower portion 208 having a constant diameter which slows down the rate or increase in the removal torque before an unacceptable removal torque is achieved which may cause the locking flange 20 to lock up on the connector.

In addition male luer locks 13 may be made of many different types of materials which range in stiffness. It is important that the connection of the connector 200 to the luer lock not place such a stress on the locking flange 20 which may fracture the flange. The use of the lower portion 208 with a constant diameter also accommodates luer locks of various materials while preventing overstressing of the locking flange 20.

Thus five example embodiments of a needleless connector have been described. It is believed that the embodiments provide features which solve many of the drawbacks which have hindered widespread acceptance of such needleless connectors relative to the market acceptance of the type of connectors which must be pierced with a sharp needle or blunt cannula.

Referring to FIG. 9, an alternate embodiment of the connector uniquely suited to handling higher leak pressures is generally indicated at 300. The connector 300 includes an elastic resealable member 301 such as a septum 302 attached to a housing 304. The septum 302 includes a generally disk shaped upper portion 306 and a generally tubular extension 308 depending downward within a passageway 310 formed by the housing 304. The extension 308 is attached to the housing 304 to form a sealed conduit 314 for the transmission

of fluids injected through an opening 316, preferably a slit 318, extending through the upper portion 306.

Referring briefly to FIG. 1 also, in a manner similar to the septum 28, the opening 316 may extend partially through the septum 302 with the anticipation that the opening will extend completely through the septum upon penetration by the luer tip 18. In addition, the upper portion 306 may be formed in a manner similar to the upper portion 38 of septum 28.

A valve element, generally indicated at 320, provides at least one seal against pressurized fluid within an exit passageway 324 formed by portions of the extension 308 and housing 304. The exit passageway 324 is in fluid communication with a device 326 in fluid communication with a body. The device 326 may include a catheter or an I.V. administration set. If the connector 300 is for providing a resealable connection with an I.V. administration set, the housing 304 will preferably form a portion of a Y-site.

The valve 320 includes a pincher portion 328 which pinchingly deforms the extension 308 to seal against leak pressure found in the exit passageway 324. The pincher portion 328 is attached to the housing 304 by fixedly clamping a peripheral edge 330 between an upper housing piece 334 and a lower housing piece 336 which are bonded together to form the housing 304.

The connector 300 also includes an extension collapsing element 338 which contacts and partially collapses a portion of the extension 308 after and possibly during the sealing of the extension by the valve 320. The partial collapsing produces an expelling of fluid from the exit passageway 324 after the sealing of the extension by the valve 320.

Referring also to FIG. 5, in the preferred embodiment, the collapsing element 338 is connected to, by being integrally formed as a portion of, the valve 320. The collapsing element 338 includes two legs 340 connected to and extending downward and outward from the pincher portion 328. The legs 340 extend on opposite sides of the extension 338 and contact the extension deforming the extension radially inward. When a luer tip 18 penetrates the septum 302 by extending through the opening 316, to the desired depth D, the tip contacts the pincher portion 328 displacing it downward and opening the element to place the passageway 66 in fluid communication with the exit passageway 324. The legs 340 are also forced radially outward against the housing 304 allowing the extension 308 to expand. During removal of the tip 18, the pincher portion 328 of the valve 320 closes, initially sealing the extension 308, and then the legs 340 continue to collapse the extension 308 below the pincher portion forcing a portion of the fluid out of the exit passageway 324 into the device 326.

To place the pincher portion 328 in a better position for contact and activation by the luer tip 18, the valve 320 may be formed with a central portion 344 offset upward of the peripheral edge 330. The legs 340 are attached to this central portion 344; however, the legs may be attached to other parts of the housing 304.

To facilitate sealingly attaching the extension 308 to the housing 306, the lower piece 336 forms a radial lip 346, and the lower end of the extension is adhesively attached to the housing 305 proximate this lip. To hinder buckling of the extension 308 when the luer tip 18 forces the central part of the septum 302 downward, the extension may be stretched during assembly and attached to the housing in the stretched configuration.

Referring briefly to FIGS. 1 and 4, in a manner similar to the connector 10, the septum 302 of the connector 300 may include an annular skirt 348 and radial lip 350 which are bonded to the housing 304.

The attachment of the extension 308 to the upper portion 306 of the septum 302 and the housing 304 may help support the upper portion 306 against leaking due to pressurized fluid in the conduit 314. The extension 308 also prevents fluids from flowing into the housing outside of the extension and into areas which may be difficult to flush during use of the connector 300.

The septum 302 may also include a lower portion (not shown) similar to lower portion 40 (FIG. 3), but preferably the valve 320 provides most of the seal against leakage due to the pressure of fluid in the exit passageway 324.

Referring to FIGS. 11 and 12, a further alternate embodiment of a connector uniquely suited to providing a flow of fluid into the device 326 after removal of the tip 18 is generally indicated at 200. Referring also to FIG. 1, the connector 200 includes a resealable member 201, preferably a septum 202 having an upper portion 204 similar in construction to upper portion 38, an annular skirt 206 similar in construction to the annular skirt 52, and a lower portion 208 and opening 210 similar in construction to the lower portion 40 and opening 44, respectively. The lower portion 208 is shown having a V shaped cross section; however, other configurations such as the configuration of lower portion 40 are also acceptable.

The septum 202 is attached to the top end 212 of housing 214 to seal an opening 216 formed by the top end. The housing forms an internal chamber 218 and a radially extending valve seat 220. A lower end 224 of the housing 214 is adapted to form a luer connection with the device 326 which is adapted to be placed in fluid communication with the body.

The septum 202 also includes a downward depending generally tubular extension 228 which extends to a point in reasonably close proximity with the valve seat 220. Sealingly attached to a lower end 230 of the extension 228 is a radial sealing flange 234. The flange 234 extends radially outward and forms a peripheral edge 236 which sealingly attaches to the housing 214. The septum 202 and flange 234 cooperate to prevent fluid flowing through a passageway 238 formed within the extension 228 from flowing into the chamber 218 outside of the extension and between the flange 234 and top end 240 of the housing.

Disposed within the housing 214 and about an outlet 240 of the chamber 218 is a valve 248. The valve 248 is uniquely configured to provide less fluid flow resistance when low pressure fluid is within the passageway 238 and high fluid flow resistance when high pressure fluid is within the passageway. Referring to FIGS. 6 and 7, the valve includes a radial sealing flange 250 having a peripheral portion 254 extending over the valve seat 220.

The valve 248 includes a set of downward depending legs 256 which contact a radial ledge 258 formed by the housing 214. The legs 256 are configured to support the flange 250 so that the peripheral edge 236 is spaced from the valve seat 220. Thus fluid may flow from the passageway 238 around the peripheral edge 254 and out an outlet 260 for the connector 200. The legs 256 are also configured to flex when fluid over a certain pressure is injected through the opening 210 and into the passageway 238 (as particularly illustrated in FIG. 12), the pressure of the fluid and the action of the fluid flowing around the peripheral portion 254 flexes the legs 256 and the flange 250 moves downward to seal against the valve seat 220.

The valve 248 also includes a capillary tube 262, preferably of a small diameter and constructed of metal, glass or the like, which extends through the flange 250 to form a passageway for a small flow of fluid from the passageway 238 into the outlet 260. The tube 262 is preferably sized so that the flow of

fluid through the passageway is enough to maintain a KVO or keep vein open flow of fluid to the device 326.

Also when the luer tip 18 is inserted through the opening 210 and fluid is injected into the extension 228, the extension elastically expands in a radial direction to form a reservoir 268. The resiliency of the extension 228 maintains the fluid at a pressure sufficient to keep the flange 250 sealed against the seat 220 so that fluid only flows through the capillary tube 262. When sufficient fluid flows out of the reservoir 268 so that the extension 228 is in an almost deflated configuration, the pressure of the fluid in the passageway 238 drops to a level whereby the legs 256 straighten and the flange 250 separates from the valve seat 220 to allow much greater flow into the outlet 260.

Therefore it may be seen that by varying the configuration and material of the legs 256 in conjunction with the material of the extension 228, the pressure at which the valve 248 opens may be altered.

Referring to FIG. 13 a further alternate embodiment of the needless connector is generally indicated at 400. The connector 400 includes an elastic, resilient, resealable valve 402 having an upper portion 404, middle portion 406 and annular skirt 408 similar in configuration to the upper portion 38, lower portion 40 and annular skirt 108, respectively of connector 200 (FIG. 8). In addition the valve 402 includes a conically shaped tubular lower portion 410 integrally attached to the middle portion 406 such that an opening 414, preferably a slit, extends downward through the upper portion 404 and middle portion 406 into a chamber 416 defined in part by the lower portion 410.

A lower edge 417 of the lower portion 410 is sealingly engaged to a housing 418, preferably rigid, of the connector 400. In particular the housing 418 includes an upper portion 420 similar in configuration to the upper end of connector 200 (FIG. 8) to supply the desired removal torque resistance capabilities. The housing also includes a lower portion 424 having a lower end 426 configured to establish a connection to a medical device (not shown) such as a catheter 15 (FIG. 1).

The lower edge 417 of the lower portion 410 extends about and is attached to an upwardly extending nipple 428. A collar 430 formed by the lower portion 424 of the housing 418 extends about the lower edge 417 and clamps the lower edge to the nipple 428. The lower portion 424 and upper portion 420 are attached to each other preferably by sonic welding or other appropriate type.

Referring to FIGS. 13 and 14, the connector 400 is particularly suited to eliminating voids and minimizing priming volume as the flow path is within the lower portion 410 of the valve 402 and fluid cannot flow into the space between the valve and upper housing. In addition, by appropriately dimensioning the valve 402, the chamber 416 defined by the lower portion 410 when no luer tip 18 is inserted into the connector 400, defines a volume which is less than the chamber 416' defined by the lower portion 410 when the luer tip is inserted. Thus siphoning of fluid into the chamber 416 upon removal of the tip 18 is avoided. Instead a slight flow of fluid from the chamber 416' through the lower end of the valve 426 upon removal of the tip 18 may occur.

Referring to FIGS. 15 and 16 a needleless connector particularly suited to preventing siphoning upon removal of a luer tip 18 is generally indicated at 450. Preferably the connector 450 is similar to the connector 400 (FIG. 13) and elements in the connector 450 corresponding to elements in the connector 400 are labeled with the same reference number.

However connector 450 also includes a collapsing member 452, preferably a split collar 454 which is disposed in the void

456 between the lower portion 410 of the valve 402 and the upper portion 420 of the housing 418. The collapsing member 452 includes opposing inward landings 458 disposed on opposite sides of the lower portion 410 and engaging the lower portion to collapse the lower portion thereby lowering the volume of a chamber 460 defined by the lower portion. The landings 458 are resiliently supported by legs 464 angled in an outward direction. The collapsing member 452 may be composed of metal or other material which provides the desired resiliency in the legs 464.

Upon insertion of the luer tip 18, the luer tip 18 forces the landings 458 outward, bending the legs 464 so that the legs become generally aligned with the landings 458 and the lower portion 410 below the tip 18 defines the chamber 460'. Fluid may then be injected into the connector. Upon removal of the tip 18, the resiliency of the lower portion 410 will cause the lower portion to seek to assume the conical shape; however, the legs 464 will force the landings 458 inward to further collapse the lower portion such that the chamber 460 defined by the lower portion has a smaller volume than chamber 460'. Thus siphoning of fluid into the chamber 460 upon removal of the tip 18 is avoided and a slight volume of fluid is expelled from the chamber 460' through the lower end 426 upon the tip removal.

It will be understood that the embodiments of the present invention which have been described are illustrative of some of the applications of the principles of the present invention. Various modifications may be made by those skilled in the art without departing from the true spirit and scope of the invention.

What is claimed is:

1. A connector device for establishing a sealed connection with a male luer assembly [configured to conform to ISO standards], said assembly including a male luer tip, [said male luer tip encircled by an annular locking flange, said male luer tip and said flange defining a generally cylindrical space between said flange and said tip,] said connector device comprising:

a housing forming an upper end opening and a [central] first passageway sized to receive the male luer tip, said housing having an upper end portion configured to [fit within the space defined by] receive the male luer assembly when the male luer tip is inserted downward into said opening, said first [central] passageway extending from said opening in a downward direction within said housing, said housing including a first upper edge portion having an outside surface of generally constant first diameter, and a second lower portion spaced from said upper edge portion and having an outside surface of a generally constant second diameter, said second diameter being larger than said first diameter, said housing including a third intermediate portion extending from said distal edge portion to said second lower portion, said third intermediate portion having an outside surface with a changing diameter;

a resealable valve resiliently restrained relative to said housing, said valve including a first valve portion configured to seal said opening prior to insertion of said tip and having an upper surface radially extending across said opening, said upper surface being disposed and shaped to be easily wipeable, a second [extension] valve portion integral with said first valve portion and extending generally vertically downward within said first passageway from a lower surface of said first valve portion, said valve having a third [extension] valve portion [attached to one of] extending from a lower surface of said [extension] second valve portion [and a lower sur-

face of said radial portion and extending downward], a lower end portion of said [extension] third valve portion attached to said housing to form a sealed second passageway within said [said extension] third valve portion, said [extension] third valve portion and said housing defining a [generally annular] space between said [extension] third valve portion and said housing; and an opening formed in said valve such that when the luer tip is inserted downward into said opening in said housing and through said [septum said] first valve portion, said first valve portion and said second valve portion [elastically extend about] are forced radially open by the luer tip and form a radial seal about said luer tip and allow fluid to be injected from said tip into said second passageway, the attachment of said lower end of portion of said [extension] third valve portion to said housing being such that fluid injected into said second passageway flows through said housing without flowing into said [annular] space.

2. The connector device of claim 1 wherein said valve includes a septum having an annular skirt attached to said first valve portion, said skirt extending over and attached to an outside surface of said housing proximate said opening.

3. The connector device of claim 2 wherein said septum includes an annular channel formed by said skirt and said first portion, a distal edge portion of said housing received in said channel.

4. The connector device of claim 3 wherein said distal edge portion forms a distal landing received in said channel, at least a portion of said distal landing being attached to said septum.

5. The connector of claim 4 wherein the entire length of said landing is attached to said septum.

6. The connector device of claim 5 wherein said connector includes a bonding agent to attach said outside surface of said housing and said landing to said septum.

7. The connector device of claim 1 wherein said second portion of said resealable valve is formed with a generally rectangular cross section in the proximate direction.

8. The connector device of claim 1 [wherein said valve includes a septum having an annular skirt attached to said first portion, said skirt extending over and attached to an outside surface of said housing proximate said opening] wherein said second valve portion is in a stretched configuration.

9. A connector device for establishing a sealed connection with a male luer assembly configured to conform to ISO standards, said assembly including a male luer tip and having a generally annular flange disposed generally about said male luer tip and defining a generally cylindrical space between said flange and said tip, said connector device comprising:

a housing forming an upper opening and a central first passageway sized to receive the male luer tip, said housing having an upper end portion configured to fit within the generally cylindrical space defined by the male luer assembly when the male luer tip is inserted downward into said opening, said first central passageway extending from said opening in a downward direction within said housing;

a resealable valve resiliently restrained relative to said housing, said valve including,

a first portion configured to seal said opening prior to insertion of said tip and having an upper surface radially extending across said opening, said upper surface being disposed and shaped to be easily wipeable,

a second portion integral with said first portion and extending generally vertically downward within said passageway from a lower surface of said first portion, and

21

a third extension portion attached to said lower surface of said first portion and extending downward, a lower end portion of said third portion attached to said housing to form a sealed second passageway within said extension portion, said second portion extending within said second sealed passageway portion, said third extension portion and said housing defining a generally annular space between said extension portion and said housing; and an opening formed in said valve such that when the luer tip is inserted downward into said opening in said housing and through said septum said first portion and said second portion elastically extend about the luer tip and form a seal about said luer tip and allow fluid to be injected from said tip into said second passageway, the attachment of said lower end of portion of said extension portion to said housing being such that fluid injected into said second passageway flows through said housing without flowing into said annular space.]

[10. The connector device of claim 9 wherein said septum includes an annular channel formed by said skirt and said first portion, a distal edge portion of said housing received in said channel.]

[11. The connector device of claim 10 wherein said distal edge portion forms a distal landing received in said channel, at least a portion of said distal landing being attached to said septum.]

[12. The connector of claim 11 wherein the entire length of said landing is attached to said septum.]

[13. The connector device of claim 12 wherein said connector includes a bonding agent to attach said outside surface of said housing and said landing to said septum.]

[14. The connector device of claim 13 wherein said second portion of said resealable valve is formed with a generally rectangular cross section in the proximate direction.]

15. A connector device for establishing a sealed connection with a male luer assembly, said assembly including a male luer tip, said connector device comprising:

a housing forming an upper end opening and a first passageway sized to receive the male luer tip, said housing having an upper end portion configured to receive the male luer assembly when the male luer tip is inserted downward into said opening, said first passageway extending from said opening in a downward direction within said housing;

a resealable valve resiliently restrained relative to said housing, said valve including a first portion configured to seal said opening prior to insertion of said tip and having an upper surface radially extending across said opening, said upper surface being disposed and shaped to be easily wipeable, a second portion integral with said first portion and extending generally vertically downward within said first passageway from a lower surface of said first portion, said valve having a third portion extending from a lower surface of said second portion, a lower end portion of said third portion attached to said housing to form a sealed second passageway, said valve and said housing defining a space between said valve and said housing; and

an opening formed in said valve such that when the luer tip is inserted downward into said opening in said housing and through said first portion, said first portion and said second portion are radially opened by the luer tip and form a radial seal about said luer tip and allow fluid to be injected from said tip, the attachment of said lower end portion of said third portion to said housing being such that fluid injected from said tip flows through said housing without flowing into said space.

22

16. The connector device of claim 15 which includes a septum having an annular channel formed by said first portion, a distal edge portion of said housing received in said channel.

17. The connector device of claim 16 wherein said distal edge portion forms a distal landing received in said channel, at least a portion of said distal landing being attached to said septum.

18. The connector of claim 17 wherein the entire length of said landing is attached to said septum.

19. The connector device of claim 18 wherein said connector includes a bonding agent to attach said outside surface of said housing and said landing to said septum.

20. The connector device of claim 15 wherein said second portion of said resealable valve is formed with a generally rectangular cross section in the proximate direction.

21. The connector device of claim 15 wherein said second portion is in a stretched configuration.

22. The connector device of claim 15 wherein said second portion is stretched so as to hinder buckling of said second portion when said luer tip is inserted downward into said opening.

23. The connector device of claim 15 wherein said second portion is stretched during assembly of the connector and attached to said housing in a stretched configuration.

24. A connector device for establishing a sealed connection with a male luer assembly, said assembly including a male luer tip, said connector device comprising:

a housing forming an upper end opening and a first passageway sized to receive the male luer tip, said housing having an upper end portion configured to receive the male luer assembly when the male luer tip is inserted downward into said opening, said first passageway extending from said opening in a downward direction within said housing;

a resealable valve resiliently restrained relative to said housing, said valve including a first portion configured to seal said opening prior to insertion of said tip and having an upper surface radially extending across said opening, said upper surface being disposed and shaped to be wipeable, a second portion integral with said first portion and extending generally vertically downward within said first passageway from a lower surface of said first portion, said valve having a third portion directly attached to said second portion, the third portion having a lower end portion sealingly attached to said housing, at least a portion of said valve and said housing defining a space between said valve and said housing; and

an opening formed in said valve such that when the luer tip is inserted downward into said opening in said housing and through said first portion and within said second portion, the luer tip radially opens said first portion and said second portion, forming a radial seal about said luer tip, the attachment of said lower end portion of said third portion to said housing being such that when fluid is then injected from said tip, the fluid flows through said housing without flowing into said space.

25. The connector device of claim 24 wherein the third portion extends downwardly within the housing.

26. The connector device of claim 24 wherein the third portion is integral with the second portion.

27. The connector device of claim 24 wherein the third portion extends for a length greater than a diameter of the upper surface.

28. The connector device of claim 24 wherein the housing includes upper and lower pieces that crimp the third portion of the valve so as to be sealingly attached to said housing.

23

29. The connector device of claim 24 including a collapsing member located in the space.

30. The connector device of claim 24 wherein said second portion is in a stretched configuration.

31. The connector device of claim 24 wherein said second portion is stretched so as to hinder buckling of said second portion when said luer tip is inserted downward into said opening.

32. The connector device of claim 24 wherein said second portion is stretched during assembly of the connector and attached to said housing in a stretched configuration.

33. A connector device for establishing a sealed connection with a male luer assembly, said assembly including a male luer tip, said connector device comprising:

a housing forming an upper end opening and a first passageway sized to receive the male luer tip, said housing having an upper end portion configured to receive the male luer assembly when the male luer tip is inserted downward into said opening, said first passageway extending from said opening in a downward direction within said housing;

a resealable valve resiliently restrained relative to said housing, said valve including a first portion configured to seal said opening prior to insertion of said tip and having an upper surface radially extending across said opening, said upper surface being disposed and shaped to be wipeable, a second portion extending generally vertically downward within said first passageway from a lower surface of said first portion, said valve having a third portion extending from a lower surface of the second portion, a lower end portion of said third portion being so oriented with respect to said housing to form a sealed second passageway, said valve and said housing defining a space between said valve and said housing; and

an opening formed in said valve such that when the luer tip is inserted downward into said opening in said housing and through said first portion, said first portion and said second portion are elastically opened by the luer tip to form a radial seal about said luer tip, allowing fluid to be injected from said tip into said second passageway, the lower end portion of said third portion and said housing being oriented such that fluid injected into said second passageway flows through said housing without flowing into said space.

34. The connector device of claim 33 wherein said second portion is in a stretched configuration.

35. The connector device of claim 33 wherein said second portion is stretched so as to hinder buckling of said second portion when said luer tip is inserted downward into said opening.

36. The connector device of claim 33 wherein said second portion is stretched during assembly of the connector and attached to said housing in a stretched configuration.

37. A connector device for establishing a sealed connection with a male luer assembly, said assembly including a male luer tip, said connector device comprising:

a housing forming an upper opening and a first passageway sized to receive the male luer tip, said housing having an upper end portion configured to receive the male luer assembly when the male luer tip is inserted downward into said opening, said first passageway extending from said opening in a downward direction within said housing;

a resealable valve resiliently restrained relative to said housing, said valve including a first portion configured to seal said opening prior to insertion of said tip and

24

having an upper surface radially extending across said opening, said upper surface being disposed and shaped to be wipeable, a second portion integral with said first portion and extending generally vertically downward within said first passageway from a lower surface of said first portion, and a third portion directly attached to a lower surface of said second portion, a portion of said third portion attached to said housing to form a sealed second passageway, at least portions of said valve and said housing defining a space between said valve and said housing; and

an opening formed in said valve such that when the luer tip is inserted downward into said opening in said housing and through said first portion into said second portion, said first portion and said second portion are elastically forced open by the luer tip, forming a radial seal about said luer tip, the attachment of said portion of said third portion to said housing being such that fluid injected from said tip does not flow into said space.

38. The connector device of claim 37 which includes a septum having an annular channel formed by said first portion, a distal edge portion of said housing received in said channel.

39. The connector device of claim 38 wherein said distal edge portion forms a distal landing received in said channel, at least a portion of said distal landing being attached to said septum.

40. The connector of claim 39 wherein the entire length of said landing is attached to said septum.

41. The connector device of claim 40 wherein said connector includes a bonding agent to attach said outside surface of said housing and said landing to said septum.

42. The connector device of claim 41 wherein said second portion of said resealable valve is formed with a generally rectangular cross section in the proximate direction.

43. The connector device of claim 37 wherein said second portion is in a stretched configuration.

44. The connector device of claim 37 wherein said second portion is stretched so as to hinder buckling of said second portion when said luer tip is inserted downward into said opening.

45. The connector device of claim 37 wherein said second portion is stretched during assembly of the connector and attached to said housing in a stretched configuration.

46. A connector device for establishing a sealed connection with a male luer assembly, said assembly including a male luer tip, said connector device comprising:

a housing forming an upper end opening and a first passageway sized to receive the male luer tip, said housing having an upper end portion configured to receive the male luer assembly when the male luer tip is inserted downward into said opening, said first passageway extending from said opening in a downward direction within said housing;

a resealable valve resiliently restrained relative to said housing, said valve including a first portion configured to seal said opening prior to insertion of said tip and having an upper surface radially extending across said opening, said upper surface being disposed and shaped to be easily wipeable, a second portion integral with said first portion and extending generally vertically downward within said first passageway from a lower surface of said first portion, wherein said second portion is in a stretched configuration stretched during assembly of the connector and attached to said housing in a stretched configuration, said valve having a third portion extending from one of said second portion and a lower surface

25

of said first portion, a lower end portion of said third portion attached to said housing to form a sealed second passageway, said valve and said housing defining a space between said valve and said housing; and
 an opening formed in said valve such that when the luer tip is inserted downward into said opening in said housing and through said first portion, said first portion and said second portion are radially opened by the luer tip and form a radial seal about said luer tip and allow fluid to be injected from said tip, the attachment of said lower end portion of said third portion to said housing being such that fluid injected from said tip flows through said housing without flowing into said space.

47. A connector device for establishing a sealed connection with a male luer assembly, said assembly including a male luer tip, said connector device comprising:

a housing forming an upper end opening and a first passageway sized to receive the male luer tip, said housing having an upper end portion configured to receive the male luer assembly when the male luer tip is inserted downward into said opening, said first passageway extending from said opening in a downward direction within said housing, said housing including a first upper edge portion having an outside surface of generally constant first diameter, and a second lower portion spaced from said upper edge portion and having an outside surface of a generally constant second diameter, said second diameter being larger than said first diameter, said housing including a third intermediate portion extending between said first upper edge portion and said second portion, said third portion having an outside surface with a changing diameter;

a resealable valve resiliently restrained relative to said housing, said valve including a first valve portion configured to seal said opening prior to insertion of said tip and having an upper surface radially extending across

26

said opening, said upper surface being disposed and shaped to be easily wipeable, a second valve portion integral with said first valve portion and extending generally vertically downward within said first passageway from a lower surface of said first valve portion, said valve having a third valve portion extending from a lower surface of said second valve portion, a lower end portion of said third valve portion abutted against said housing to form a sealed second passageway, said third valve portion and said housing defining a space between said third valve portion and said housing; and
 an opening formed in said valve such that when the luer tip is inserted into said opening in said housing and through said opening, said luer tip forcibly opens said first valve portion and said second valve portion, forms a radial seal about said luer tip and allows fluid to be injected from said tip into said second passageway, the abutment of said lower end portion of said third valve portion to said housing being such that fluid injected into said second passageway flows through said housing without flowing into said space.

48. The connector device of claim 47 wherein said lower end portion of said third valve portion is attached to said housing to form the sealed second passageway within said third portion.

49. The connector device of claim 47 wherein said space between said third valve portion and said housing is a generally annular space.

50. The connector device of claim 47 wherein at least a portion of said third portion of said valve prior to insertion of the luer tip widens towards its lower end portion.

51. The connector device of claim 47 wherein the third valve portion extends generally downwardly within said housing.

* * * * *