

US00RE43039E

(19) **United States**
(12) **Reissued Patent**
Brister et al.

(10) **Patent Number:** **US RE43,039 E**
(45) **Date of Reissued Patent:** **Dec. 20, 2011**

(54) **DUAL ELECTRODE SYSTEM FOR A CONTINUOUS ANALYTE SENSOR**

(75) Inventors: **Mark Brister**, Encinitas, CA (US);
James R. Petisce, San Clemente, CA (US);
Peter C. Simpson, Encinitas, CA (US);
James H. Brauker, Addison, MI (US)

(73) Assignee: **DexCom, Inc.**, San Diego, CA (US)

(21) Appl. No.: **12/839,260**

(22) Filed: **Jul. 19, 2010**

Related U.S. Patent Documents

Reissue of:

(64) Patent No.: **7,424,318**
Issued: **Sep. 9, 2008**
Appl. No.: **11/543,734**
Filed: **Oct. 4, 2006**

(51) **Int. Cl.**
A61B 5/05 (2006.01)

(52) **U.S. Cl.** **600/347**; 600/365

(58) **Field of Classification Search** 600/345-347,
600/365

See application file for complete search history.

(56) **References Cited**

U.S. PATENT DOCUMENTS

| | | | |
|---------------|---------|-------------------|-----------|
| 4,431,004 A | 2/1984 | Bessman et al. | |
| 4,655,880 A * | 4/1987 | Liu | 205/777.5 |
| 4,703,756 A * | 11/1987 | Gough et al. | 600/347 |
| 4,757,022 A | 7/1988 | Shults et al. | |
| 4,776,944 A | 10/1988 | Janata et al. | |
| 4,787,398 A | 11/1988 | Garcia et al. | |
| 4,810,470 A | 3/1989 | Burkhardt et al. | |
| 5,034,112 A | 7/1991 | Murase et al. | |
| 5,068,536 A | 11/1991 | Rosenthal | |

| | | | |
|---------------|---------|--------------------|---------|
| 5,140,985 A | 8/1992 | Schroeder et al. | |
| 5,198,771 A | 3/1993 | Fidler et al. | |
| 5,262,305 A | 11/1993 | Heller et al. | |
| 5,269,891 A | 12/1993 | Colin | |
| 5,310,469 A | 5/1994 | Cunningham et al. | |
| 5,330,634 A | 7/1994 | Wong et al. | |
| 5,356,786 A | 10/1994 | Heller et al. | |
| 5,462,645 A * | 10/1995 | Albery et al. | 205/778 |
| 5,496,453 A | 3/1996 | Uenoyama et al. | |
| 5,497,772 A | 3/1996 | Schulman et al. | |
| 5,540,828 A | 7/1996 | Yacynych | |

(Continued)

FOREIGN PATENT DOCUMENTS

EP 1 077 634 B1 2/2001

(Continued)

OTHER PUBLICATIONS

PCT International Search Report and Written Opinion in Equivalent PCT International Application No. PCT/US04/40476, mailed Nov. 16, 2006.

(Continued)

Primary Examiner — Patricia C Mallari

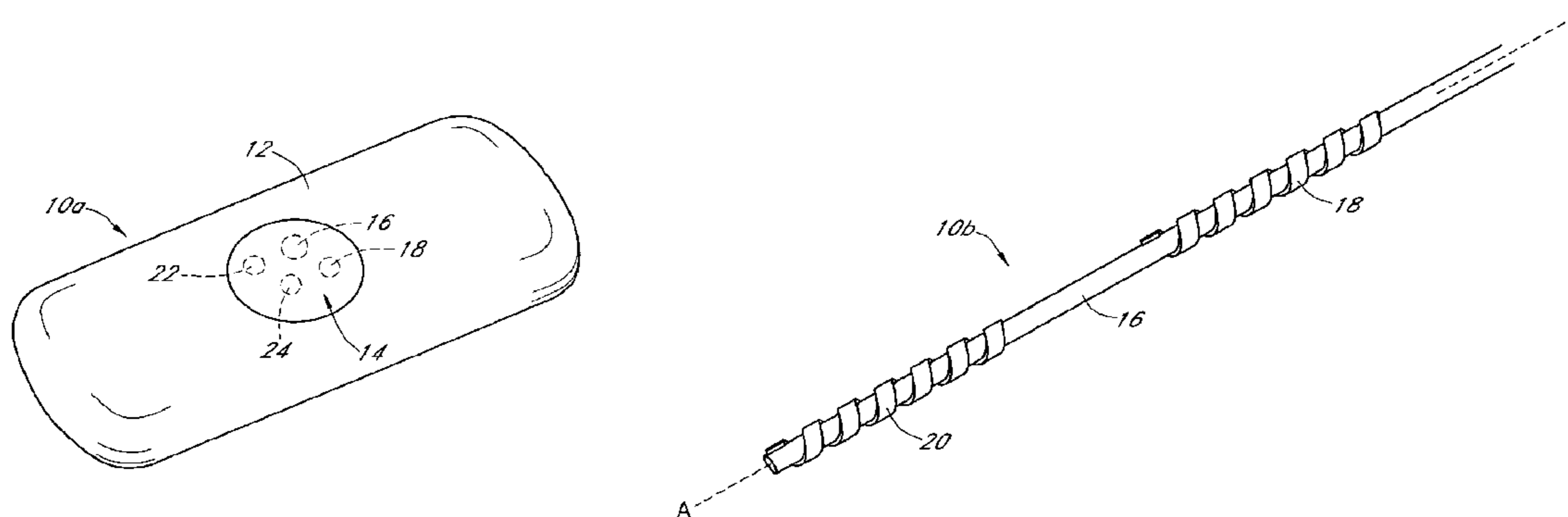
Assistant Examiner — Michael D'Angelo

(74) *Attorney, Agent, or Firm* — Knobbe Martens Olson & Bear LLP

(57) **ABSTRACT**

Disclosed herein are systems and methods for a continuous analyte sensor, such as a continuous glucose sensor. One such system utilizes first and second working electrodes to measure additional analyte or non-analyte related signal. Such measurements may provide a background and/or sensitivity measurement(s) for use in processing sensor data and may be used to trigger events such as digital filtering of data or suspending display of data.

51 Claims, 21 Drawing Sheets



U.S. PATENT DOCUMENTS

5,571,395 A 11/1996 Park et al.
 5,593,852 A 1/1997 Heller et al.
 5,605,152 A 2/1997 Slate et al.
 5,624,537 A 4/1997 Turner et al.
 5,653,863 A 8/1997 Genshaw et al.
 5,683,562 A 11/1997 Schaffar et al.
 5,711,861 A 1/1998 Ward et al.
 5,776,324 A 7/1998 Usala
 5,791,344 A 8/1998 Schulman et al.
 5,795,774 A 8/1998 Matsumoto et al.
 5,833,603 A 11/1998 Kovacs et al.
 5,914,026 A 6/1999 Blubaugh, Jr. et al.
 5,932,175 A 8/1999 Knute et al.
 5,965,380 A 10/1999 Heller et al.
 5,976,085 A 11/1999 Kimball et al.
 5,985,129 A 11/1999 Gough et al.
 5,999,848 A 12/1999 Gord et al.
 6,001,067 A 12/1999 Shults et al.
 6,011,984 A 1/2000 Van Antwerp et al.
 6,081,735 A 6/2000 Diab et al.
 6,081,736 A 6/2000 Colvin et al.
 6,083,710 A 7/2000 Heller et al.
 6,088,608 A 7/2000 Schulman et al.
 6,119,028 A 9/2000 Schulman et al.
 6,120,676 A 9/2000 Heller et al.
 6,121,009 A 9/2000 Heller et al.
 6,144,869 A 11/2000 Berner et al.
 6,162,611 A 12/2000 Heller et al.
 6,175,752 B1* 1/2001 Say et al. 600/345
 6,175,753 B1 1/2001 Menkes et al.
 6,180,416 B1 1/2001 Kurnik et al.
 6,214,185 B1 4/2001 Offenbacher et al.
 6,219,574 B1 4/2001 Cormier et al.
 6,233,471 B1 5/2001 Berner et al.
 6,259,937 B1 7/2001 Schulman et al.
 6,264,825 B1 7/2001 Blackburn et al.
 6,274,285 B1 8/2001 Gries et al.
 6,284,478 B1 9/2001 Heller et al.
 6,299,583 B1 10/2001 Eggers et al.
 6,326,160 B1 12/2001 Dunn et al.
 6,329,161 B1 12/2001 Heller et al.
 6,356,776 B1 3/2002 Berner et al.
 6,413,393 B1 7/2002 Van Antwerp et al.
 6,413,396 B1 7/2002 Yang et al.
 6,424,847 B1 7/2002 Mastrototaro et al.
 6,461,496 B1 10/2002 Feldman et al.
 6,465,066 B1 10/2002 Rule et al.
 6,466,810 B1 10/2002 Ward et al.
 6,475,750 B1 11/2002 Han et al.
 6,477,395 B2 11/2002 Schulman et al.
 6,484,046 B1 11/2002 Say et al.
 6,498,043 B1 12/2002 Schulman et al.
 6,512,939 B1* 1/2003 Colvin et al. 600/347
 6,514,718 B2 2/2003 Heller et al.
 6,542,765 B1 4/2003 Guy et al.
 6,553,244 B2 4/2003 Lesho et al.
 6,558,351 B1 5/2003 Steil et al.
 6,560,471 B1 5/2003 Heller et al.
 6,561,978 B1 5/2003 Conn et al.
 6,565,509 B1 5/2003 Say et al.
 6,579,690 B1 6/2003 Bonnecaze et al.
 6,585,763 B1 7/2003 Keilman et al.
 6,587,705 B1 7/2003 Kim et al.
 6,594,514 B2 7/2003 Berner et al.
 6,595,919 B2 7/2003 Berner et al.
 6,607,658 B1 8/2003 Heller et al.
 6,613,379 B2 9/2003 Ward et al.
 6,615,078 B1 9/2003 Burson et al.
 6,618,934 B1 9/2003 Feldman et al.
 6,633,772 B2 10/2003 Ford et al.
 6,642,015 B2 11/2003 Vachon et al.
 6,653,091 B1 11/2003 Dunn et al.
 6,654,625 B1 11/2003 Say et al.
 6,673,596 B1 1/2004 Sayler et al.
 6,730,200 B1* 5/2004 Stewart et al. 204/403.11
 6,793,632 B2 9/2004 Sohrab
 6,801,041 B2* 10/2004 Karinka et al. 324/444
 6,802,957 B2 10/2004 Jung et al.

6,809,507 B2 10/2004 Morgan et al.
 6,862,465 B2 3/2005 Shults et al.
 6,893,552 B1 5/2005 Wang et al.
 6,931,327 B2 8/2005 Goode et al.
 6,932,894 B2 8/2005 Mao et al.
 7,003,341 B2 2/2006 Say et al.
 7,424,318 B2* 9/2008 Brister et al. 600/347
 7,467,003 B2* 12/2008 Brister et al. 600/347
 2001/0016682 A1 8/2001 Berner et al.
 2002/0019022 A1 2/2002 Dunn et al.
 2002/0042090 A1 4/2002 Heller et al.
 2002/0042561 A1 4/2002 Schulman et al.
 2002/0045808 A1 4/2002 Ford et al.
 2002/0065453 A1 5/2002 Lesho et al.
 2003/0032874 A1* 2/2003 Rhodes et al. 600/347
 2003/0050546 A1 3/2003 Desai et al.
 2003/0065254 A1 4/2003 Schulman et al.
 2003/0076082 A1 4/2003 Morgan et al.
 2003/0097082 A1 5/2003 Purdy et al.
 2003/0100040 A1 5/2003 Bonnecaze et al.
 2003/0130616 A1 7/2003 Steil et al.
 2003/0187338 A1 10/2003 Say et al.
 2003/0188427 A1 10/2003 Say et al.
 2003/0199744 A1 10/2003 Buse et al.
 2003/0228681 A1 12/2003 Ritts et al.
 2003/0235817 A1 12/2003 Bartkowiak et al.
 2004/0023253 A1 2/2004 Kunwar et al.
 2004/0023317 A1 2/2004 Motamedi et al.
 2004/0248282 A1 12/2004 Sobha et al.
 2005/0027180 A1 2/2005 Goode et al.
 2005/0027181 A1 2/2005 Goode et al.
 2005/0027462 A1 2/2005 Goode et al.
 2005/0027463 A1 2/2005 Goode et al.
 2005/0031689 A1 2/2005 Shults et al.
 2005/0033132 A1 2/2005 Shults et al.
 2005/0043598 A1 2/2005 Goode et al.
 2005/0051427 A1 3/2005 Brauker et al.
 2005/0051440 A1 3/2005 Simpson et al.
 2005/0054909 A1 3/2005 Petisce et al.
 2005/0056552 A1 3/2005 Simpson et al.
 2005/0090607 A1 4/2005 Tapsak et al.
 2005/0112169 A1 5/2005 Brauker et al.
 2005/0115832 A1 6/2005 Simpson et al.
 2005/0133368 A1* 6/2005 Davies et al. 204/403.01
 2005/0143635 A1 6/2005 Kamath et al.
 2005/0192557 A1 9/2005 Brauker et al.
 2005/0242479 A1 11/2005 Petisce et al.
 2005/0245795 A1 11/2005 Goode et al.
 2005/0245799 A1 11/2005 Brauker et al.
 2005/0258037 A1* 11/2005 Hajizadeh et al. 204/403.14
 2006/0015020 A1 1/2006 Neale et al.
 2007/0017805 A1* 1/2007 Hodges et al. 204/400

FOREIGN PATENT DOCUMENTS

WO WO 94/22367 10/1994
 WO WO 99/56613 4/1999
 WO WO 99/58051 11/1999
 WO WO 00/33065 6/2000
 WO WO 01/88524 A1 11/2001
 WO WO 01/88534 A2 11/2001

OTHER PUBLICATIONS

Atanasov, et al. 1994. Biosensor for continuous glucose monitoring. *Biotechnology and Bioengineering* 43:262-266.
 Bani Amer, M. M. 2002. An accurate amperometric glucose sensor based glucometer with eliminated cross-sensitivity. *J Med Eng Technol* 26(5):208-213.
 Choleau, et al. 2002. Calibration of a subcutaneous amperometric glucose sensor implanted for 7 days in diabetic patients. Part 1. Effect of measurement uncertainties on the determination of sensor sensitivity and background current. *Biosensors and Bioelectronics* 17:647-654.
 Choleau, et al. 2002. Calibration of a subcutaneous amperometric glucose sensor implanted for 7 days in diabetic patients. Part 2. Superiority of the one-point calibration method. *Biosensors and Bioelectronics* 17:647-654.

- Ernst, et al. 2002. Reliable glucose monitoring through the use of microsystem technology. *Anal. Bioanal. Chem.* 373:758-761.
- Fare, et al. 1998. Functional characterization of a conducting polymer-based immunoassay system. *Biosensors & Bioelectronics* 13(3-4):459-470.
- Feldman, B.; Brazg, R.; Schwartz, S.; Weinstein, R. 2003. A continuous glucose sensor based on wired enzyme technology—results from a 3-day trial in patients with type 1 diabetes. *Diabetes Technol Ther* 5(5):769-779.
- Gilligan, B. C.; Shults, M.; Rhodes, R. K.; Jacobs, P. G.; Brauker, J. II.; Pintar, T. J.; Updike, S. J. 2004. Feasibility of continuous long-term glucose monitoring from a subcutaneous glucose sensor in humans. *Diabetes Technol Ther* 6:378-386.
- Gilligan, et al. 1994. Evaluation of a subcutaneous glucose sensor out to 3 months in a dog model. *Diabetes Care* 17(8):882-887.
- Harrison, et al. 1988. Characterization of perfluorosulfonic acid polymer coated enzyme electrodes and a miniaturized integrated potentiostat for glucose analysis in whole blood. *Anal. Chem.* 60:2002-2007.
- Hunter, I., Jones, L., Kanigan, T., Brenan, C., Sanbol, L. Sosnowski, L. 2000. Minimally Invasive Glucose Sensor and Insulin Delivery System. MIT Home Automation and Healthcare Consortium. Progress Report No. 25.
- Jeong, et al. 2003. In vivo calibration of the subcutaneous amperometric glucose sensors using a non-enzyme electrode. *Biosensors and Bioelectronics* 19:313-319.
- Johnson, et al. 1992. In vivo evaluation of an electroenzymatic glucose sensor implanted in subcutaneous tissue. *Biosensors & Bioelectronics* 7:709-714.
- Matsumoto et al. 1998. A micro-planar amperometric glucose sensor unsusceptible to interference species. *Sensors and Actuators B* 49:68-72.
- Matsumoto, et al. 2001. A long-term lifetime amperometric glucose sensor with a perfluorocarbon polymer coating. *Biosens Bioelectron* 16:271-276.
- McGrath, M. J.; Iwuoha, E. I.; Diamond, D.; Smyth, M. R. 1995. The use of differential measurements with a glucose biosensor for interference compensation during glucose determinations by flow injection analysis. *Biosens Bioelectron* 10:937-943.
- Memoli, A.; Annesini, M. C.; Mascini, M.; Papale, S.; Petralito, S. 2002. A comparison between different immobilised glucoseoxidase-based electrodes. *J Pharm Biomed Anal* 29:1045-1052.
- Moatti-Sirat, D, et al. 1992. Evaluating in vitro and in vivo the interference of ascorbate and acetaminophen on glucose detection by a needle-type glucose sensor. *Biosensors and Bioelectronics* 7:345-352.
- Moatti-Sirat, D.; Capron, F.; Poitout, V.; Reach, G.; Bindra, D. S.; Zhang, Y.; Wilson, G. S.; Thevenot, D. R. 1992. Towards continuous glucose monitoring: in vivo evaluation of a miniaturized glucose sensor implanted for several days in rat subcutaneous tissue. *Diabetologia* 35:224-230.
- Ohara, T. J.; Rajagopalan, R.; Heller, A. 1994. "Wired" enzyme electrodes for amperometric determination of glucose or lactate in the presence of interfering substances. *Anal Chem* 66:2451-2457.
- Palmisano, et al. 2000. Simultaneous monitoring of glucose and lactate by an interference and cross-talk free dual electrode amperometric biosensor based on electropolymerized thin films. *Biosensors & Bioelectronics* 15:531-539.
- Postlethwaite, et al. 1996. Interdigitated array electrode as an alternative to the rotated ring-disk electrode for determination of the reaction products of dioxygen reduction. *Analytical Chemistry* 68:2951-2958.
- Rhodes, et al. 1994. Prediction of pocket-portable and implantable glucose enzyme electrode performance from combined species permeability and digital simulation analysis. *Analytical Chemistry* 66(9):1520-1529.
- Tierney, et al. 2000. The GlucoWatch® biographer: A frequent, automatic and noninvasive glucose monitor. *Ann. Med.* 32:632-641.
- Updike, et al. 1982. Implanting the glucose enzyme electrode: Problems, progress, and alternative solutions. *Diabetes Care* 5(3):207-212.
- Ward, et al. 2000. Rise in background current over time in a subcutaneous glucose sensor in the rabbit: Relevance to calibration and accuracy. *Biosensors & Bioelectronics* 15:53-61.
- Ward, W. K.; Wood, M. D.; Troupe, J. E. 2000. Understanding Spontaneous Output Fluctuations of an Amperometric Glucose Sensor: Effect of Inhalation Anesthesia and use of a Nonenzyme Containing Electrode. *ASAIJ Journal* 540-546.
- Wilkins, et al. 1995. Integrated implantable device for long-term glucose monitoring. *Biosens. Bioelectron* 10:485-494.
- Wilson, et al. 1992. Progress toward the development of an implantable sensor for glucose. *Clin. Chem.* 38(9):1613-1617.
- Zhang, et al. 1994. Elimination of the acetaminophen interference in an implantable glucose sensor. *Analytical Chemistry* 66(7):1183-1188.
- ISR and WO PCT/US06/38820 filed Oct. 10, 2006.
- U.S. Appl. No. 09/447,227, filed Nov. 22, 1999, (See Image File Wrapper).
- Van den Berghe 2004. Tight Blood glucose control with insulin in "real-life" intensive care. *Mayo Clin Proc* 79(8):977-978.

* cited by examiner

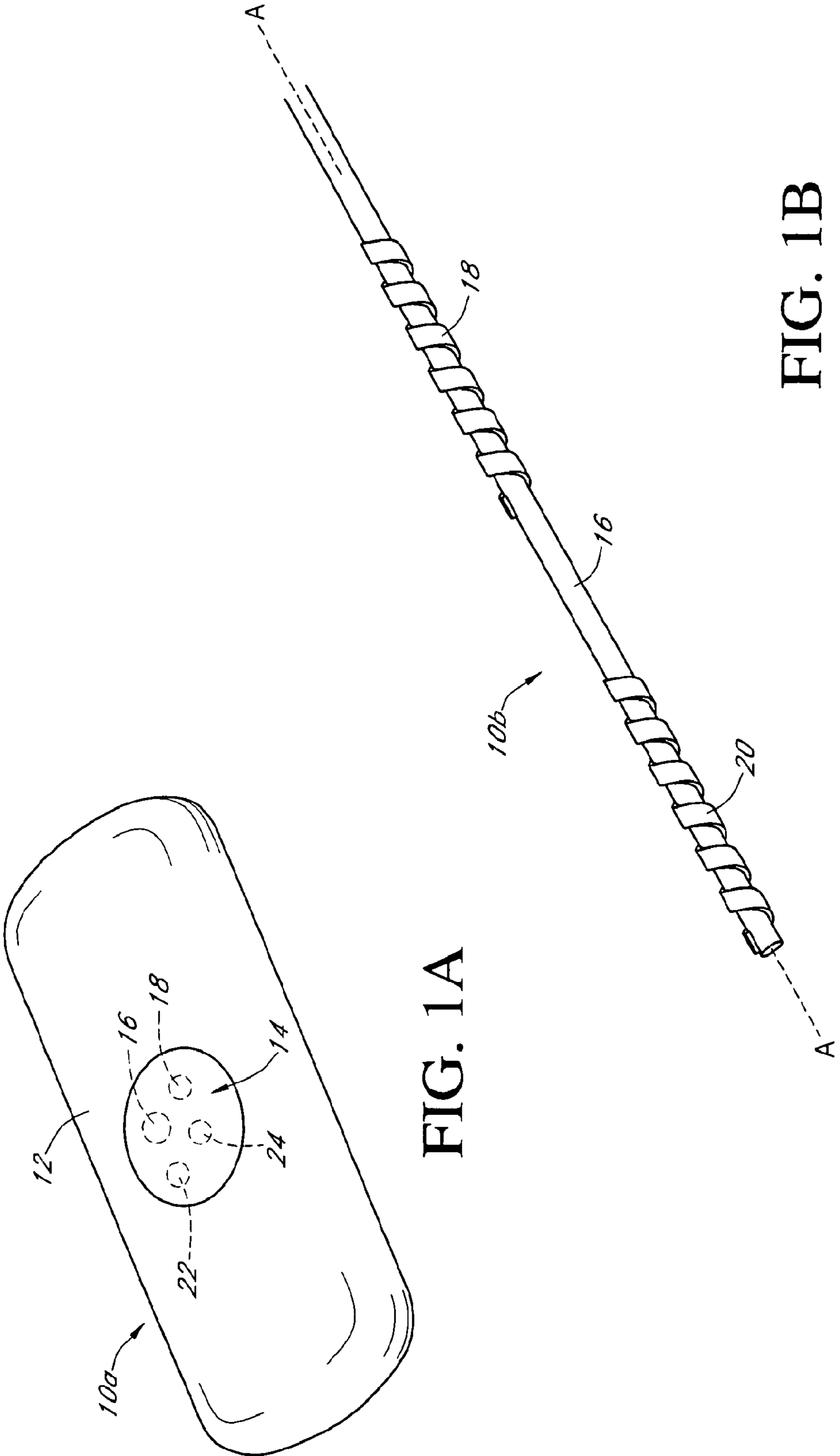


FIG. 1A

FIG. 1B

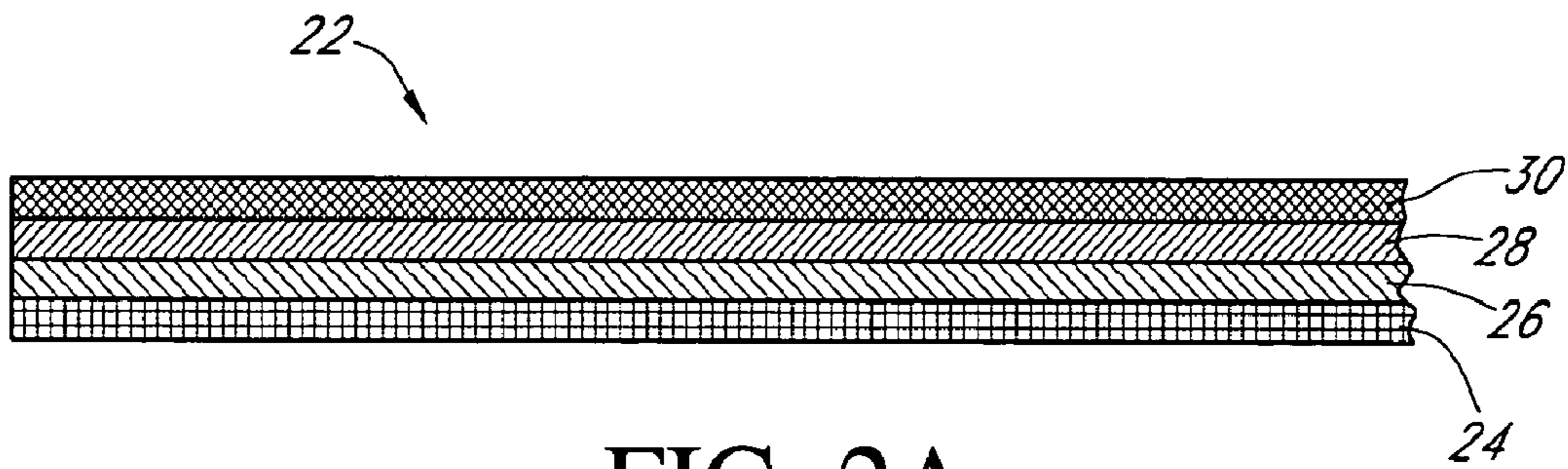


FIG. 2A

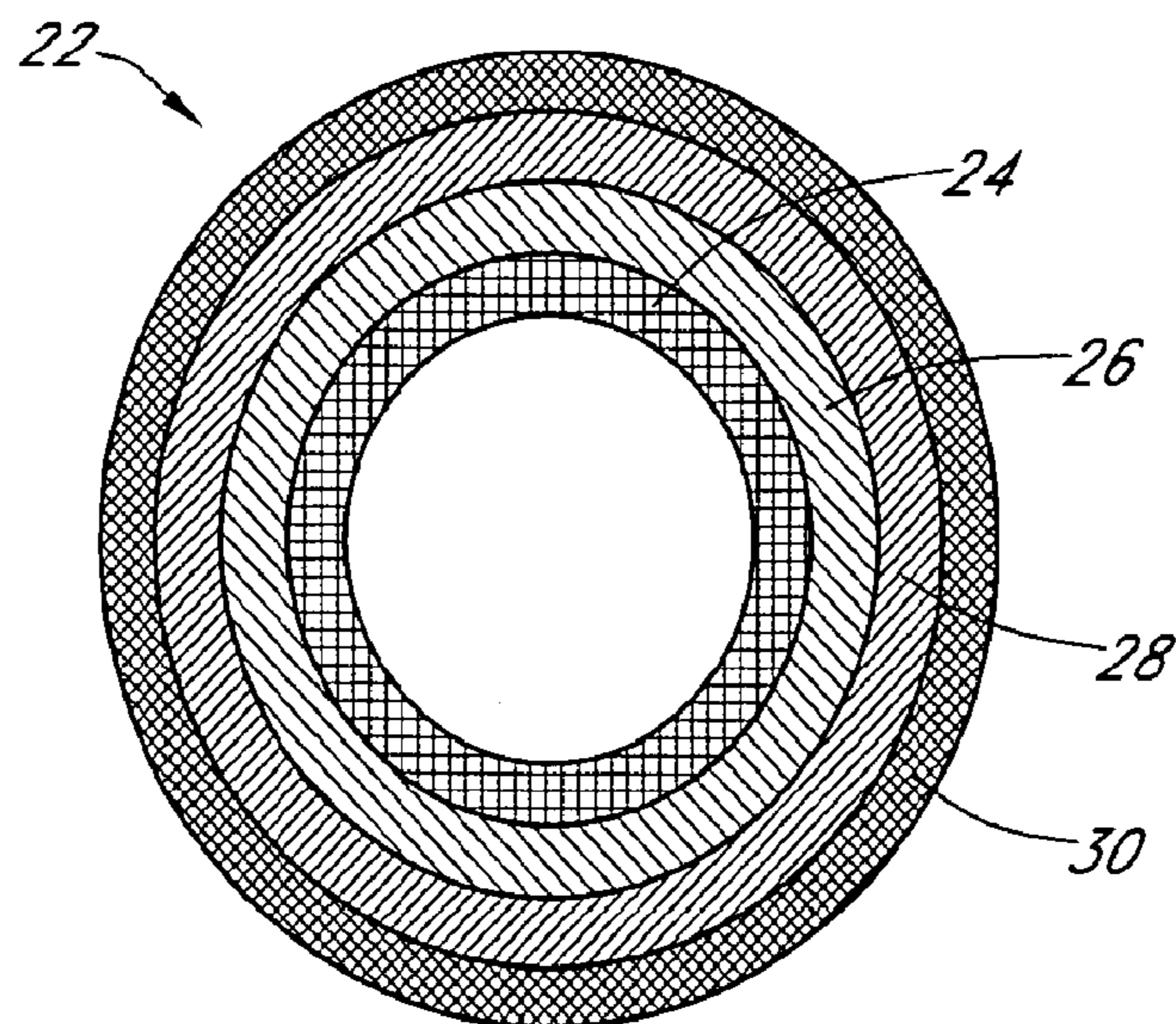


FIG. 2B

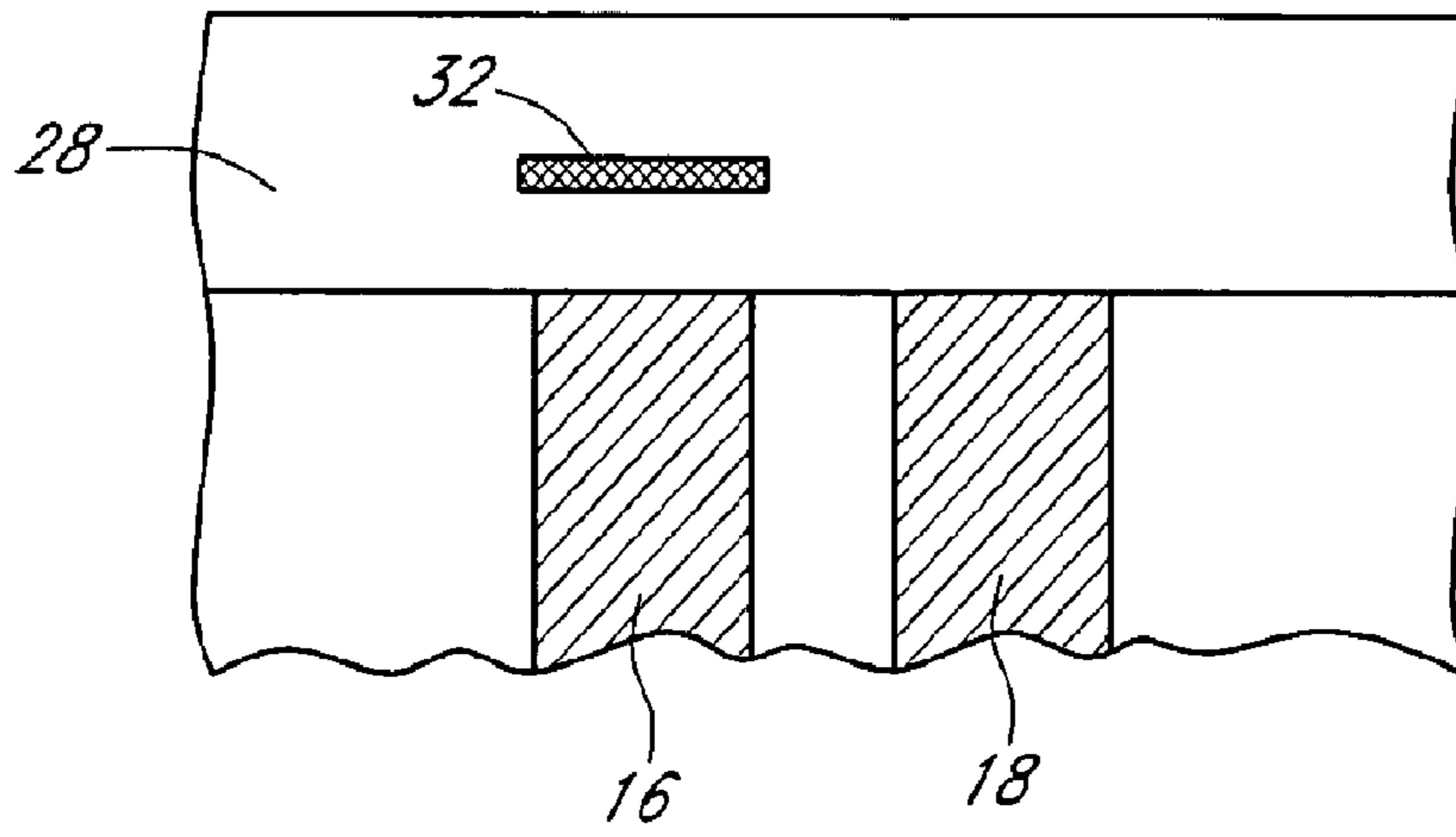


FIG. 3A

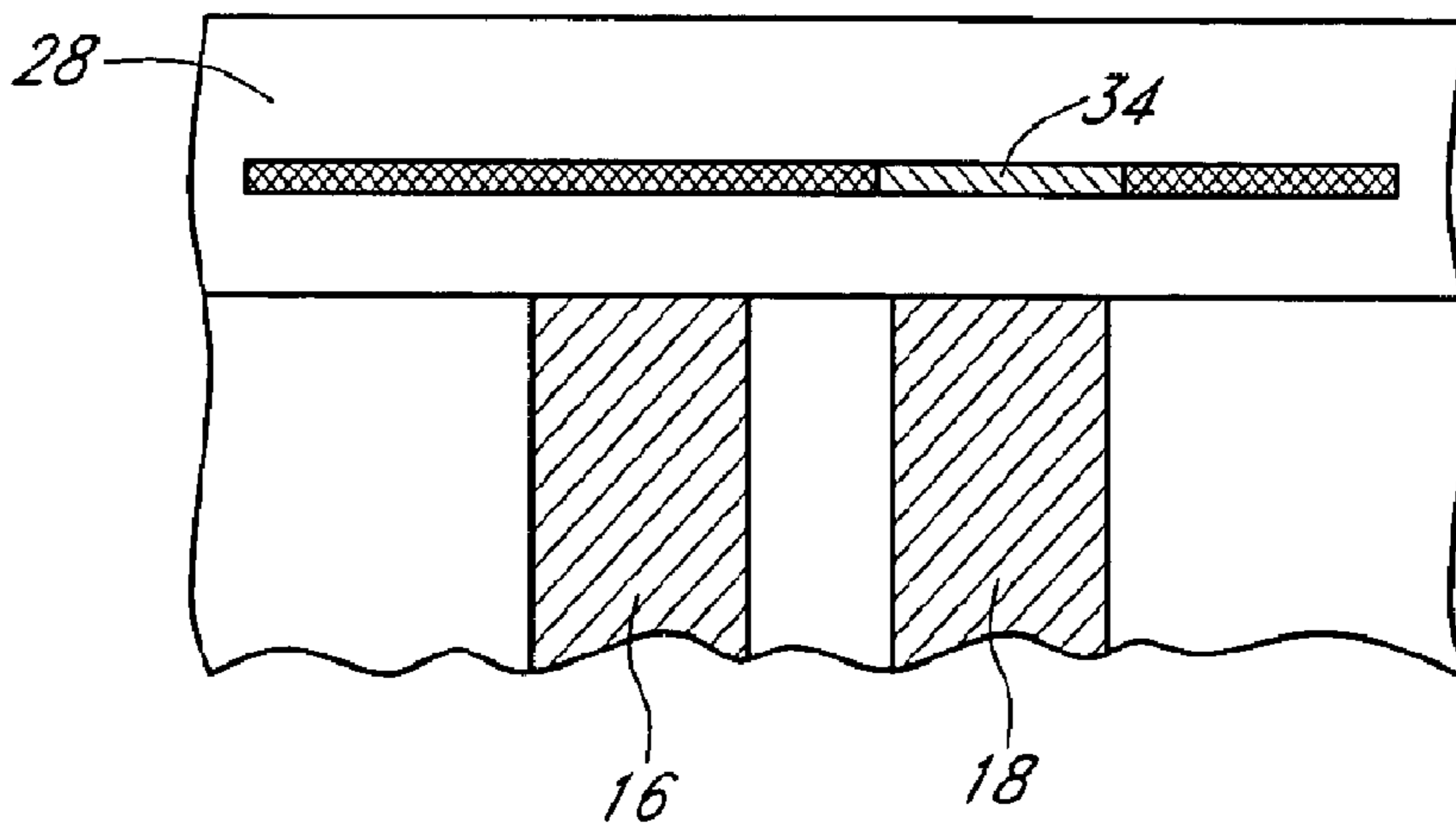


FIG. 3B

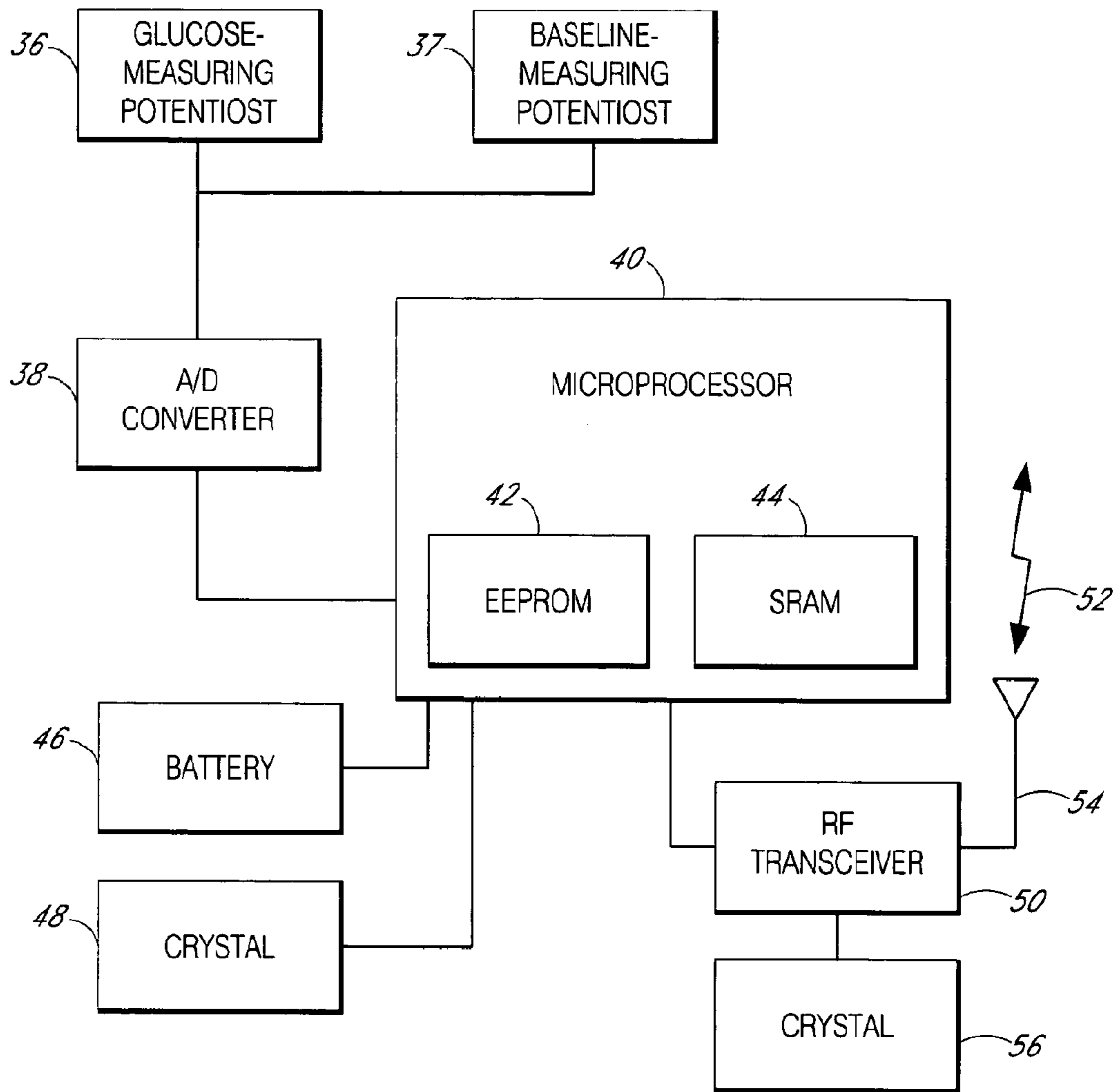


FIG. 4

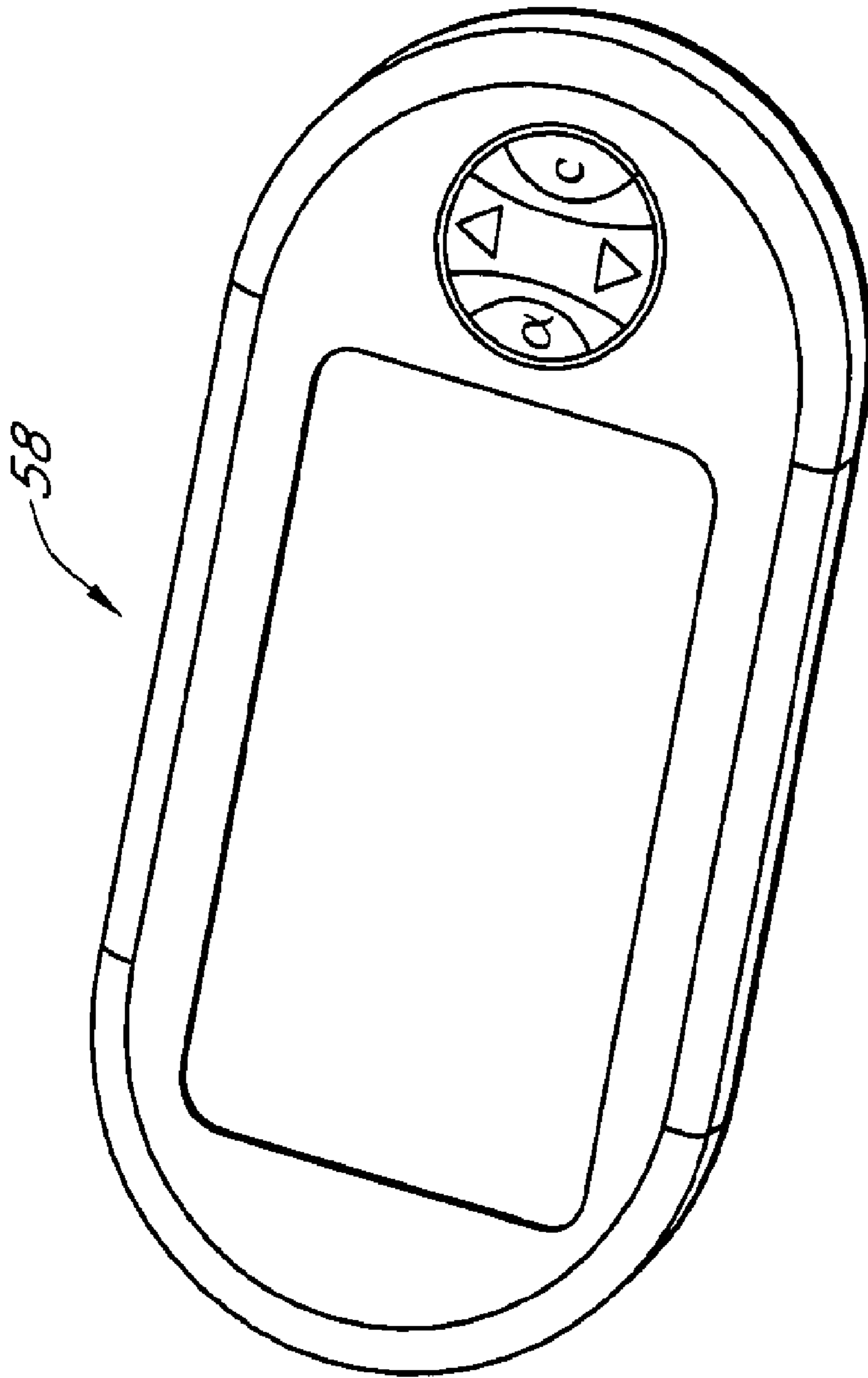


FIG. 5

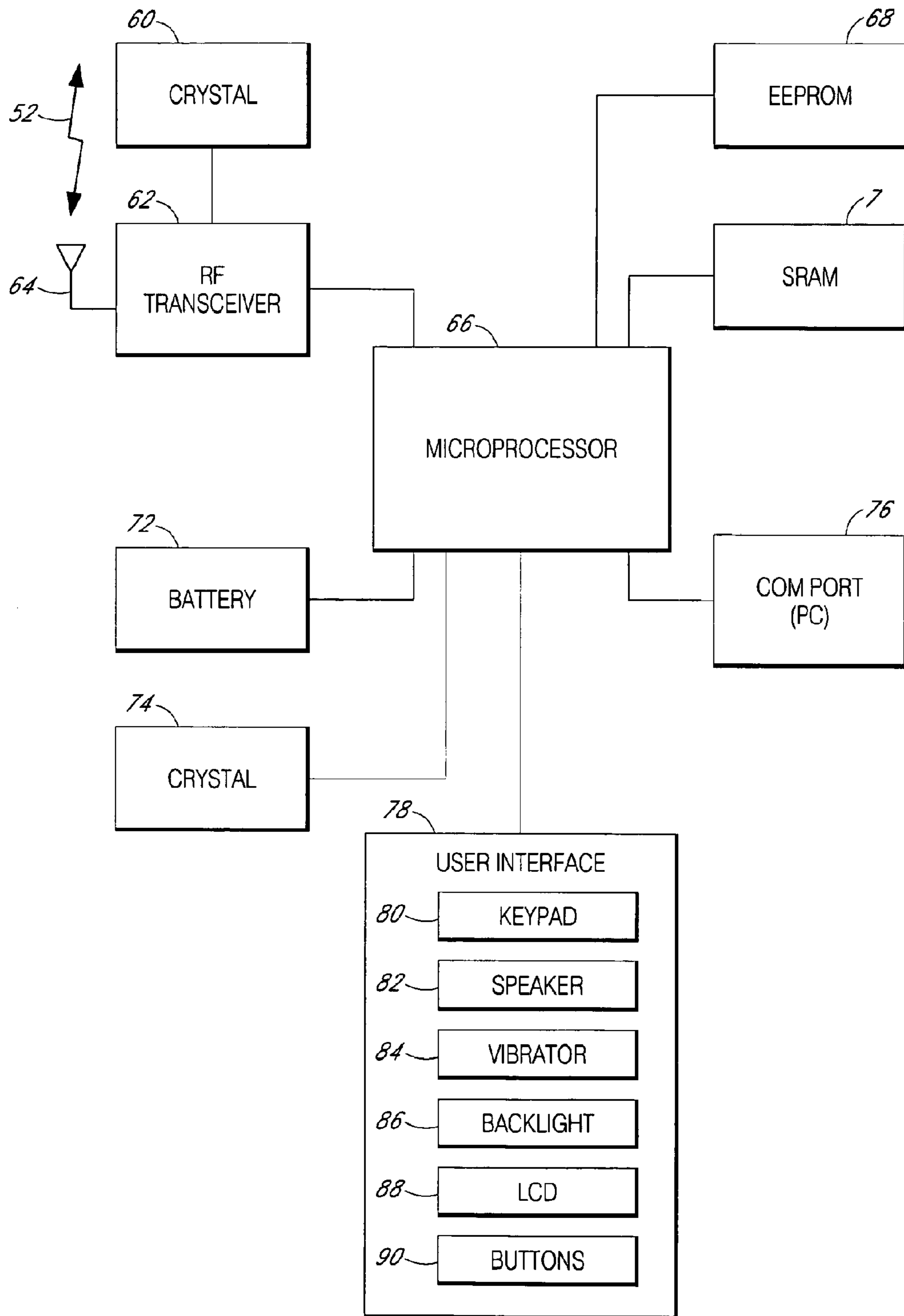


FIG. 6

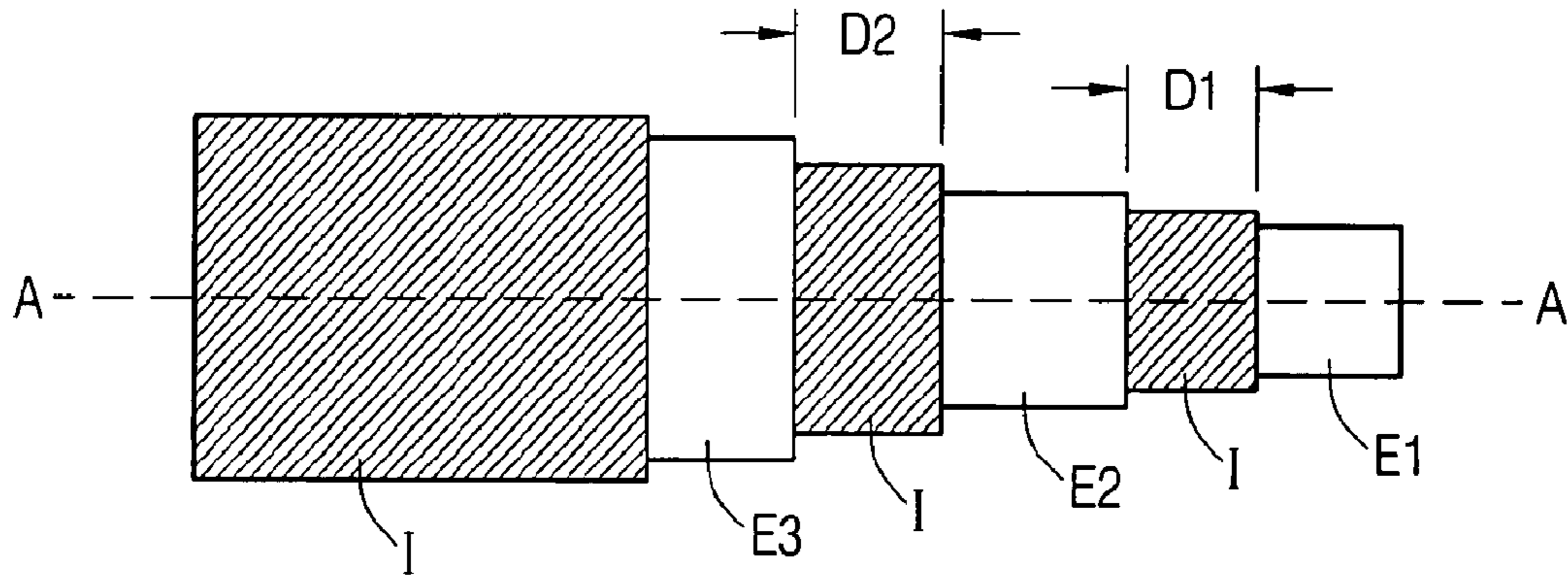


FIG. 7A₁

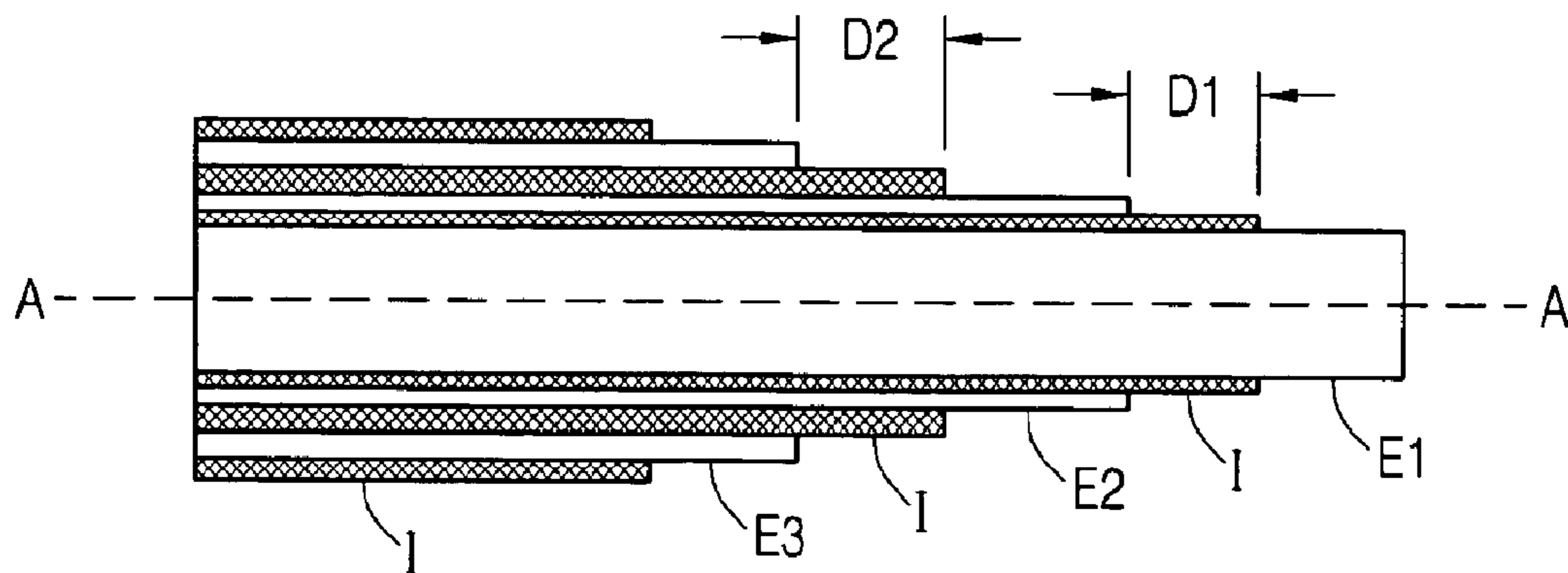


FIG. 7A₂

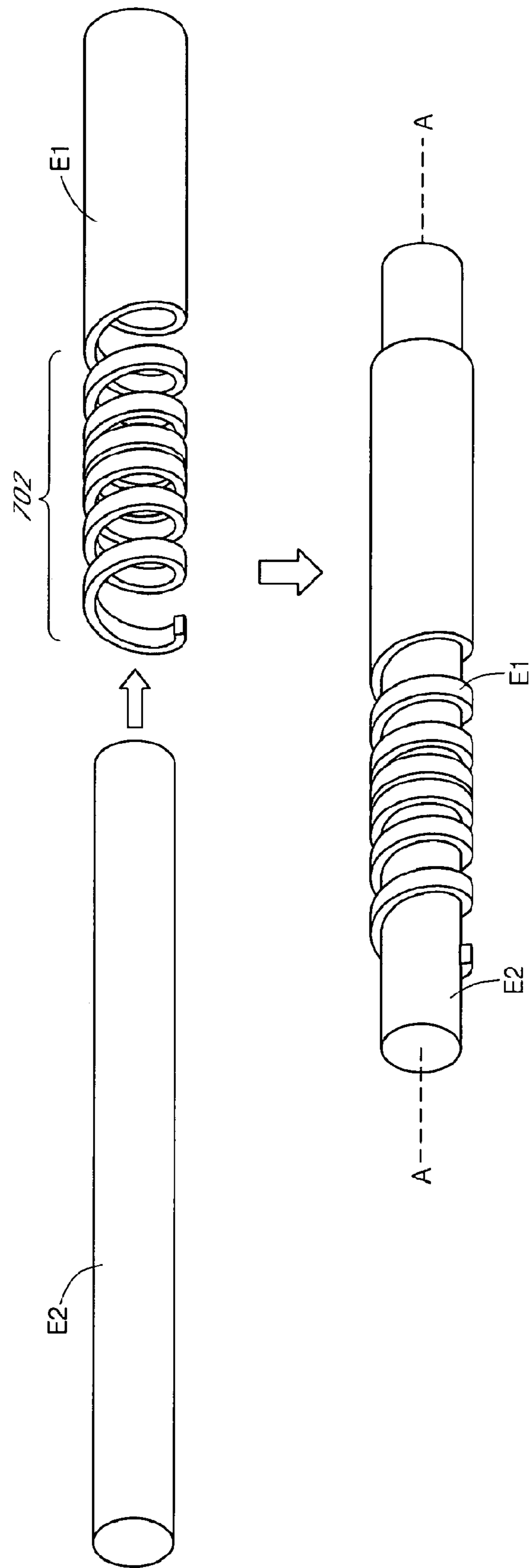


FIG. 7B

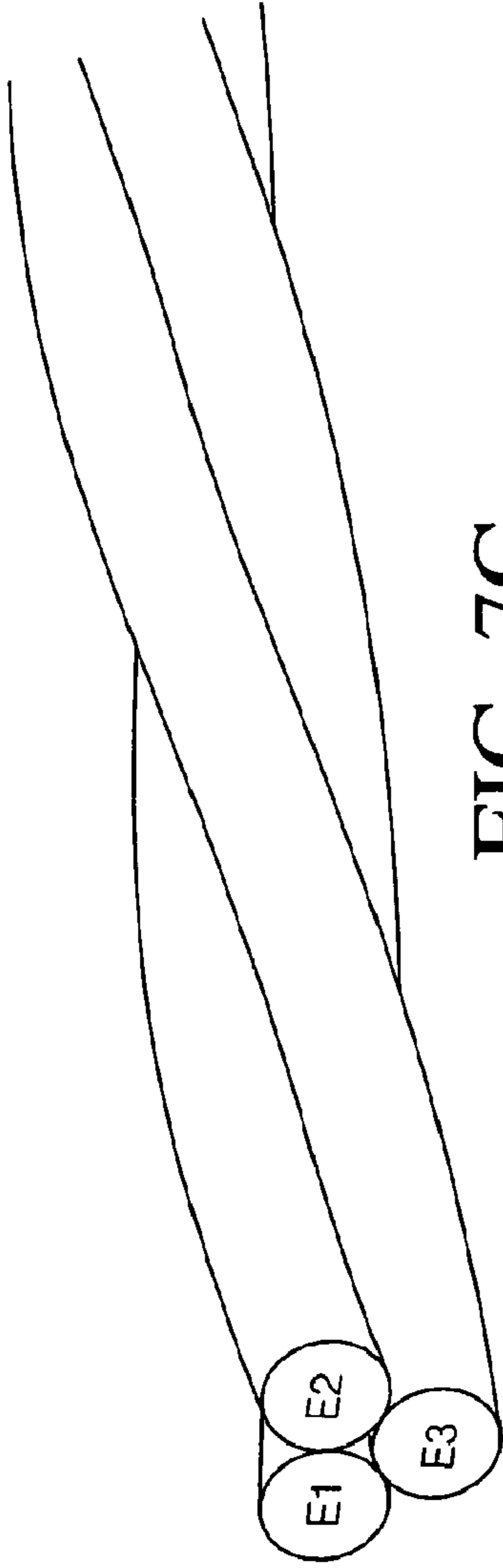


FIG. 7C

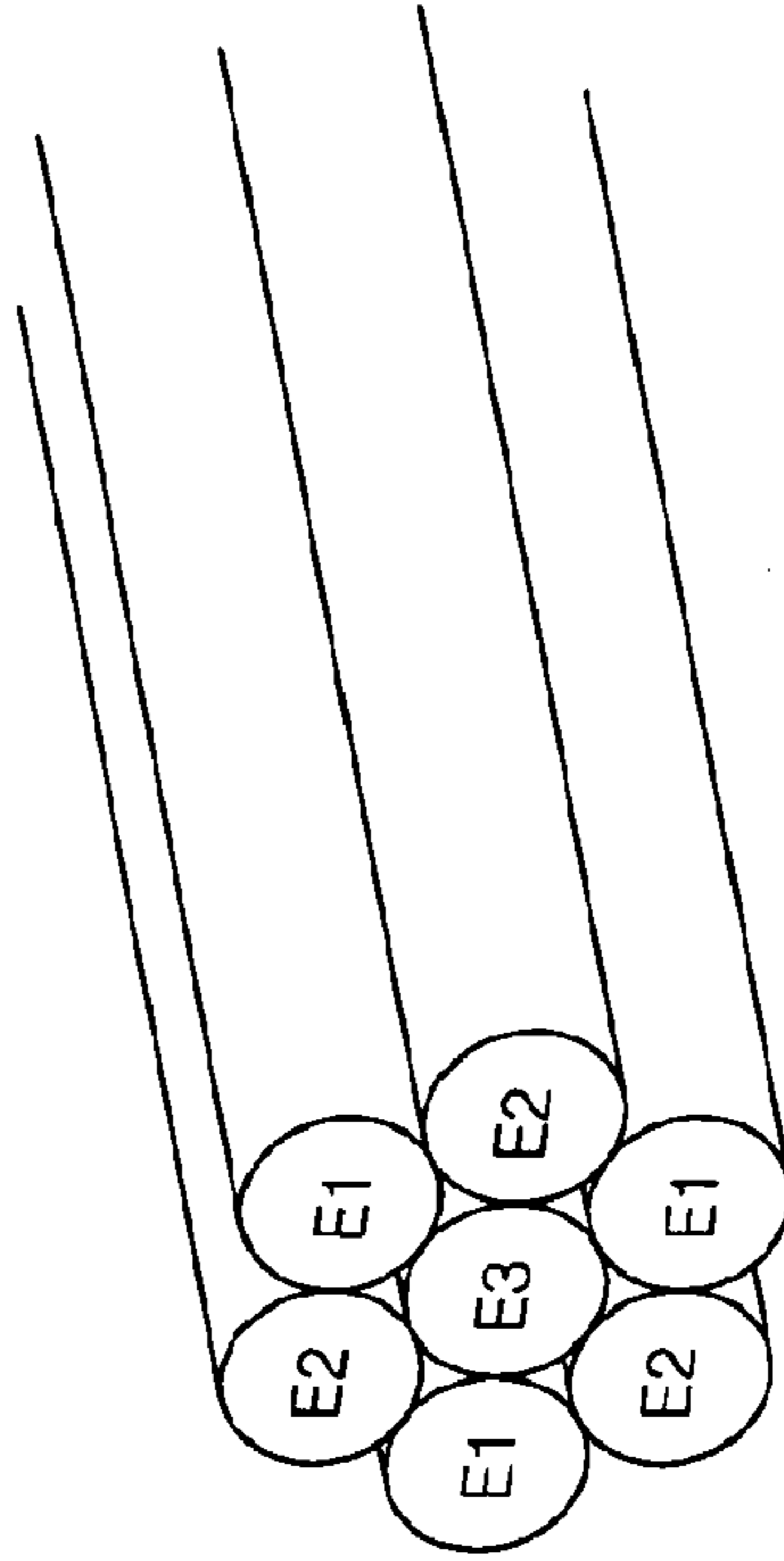


FIG. 7D

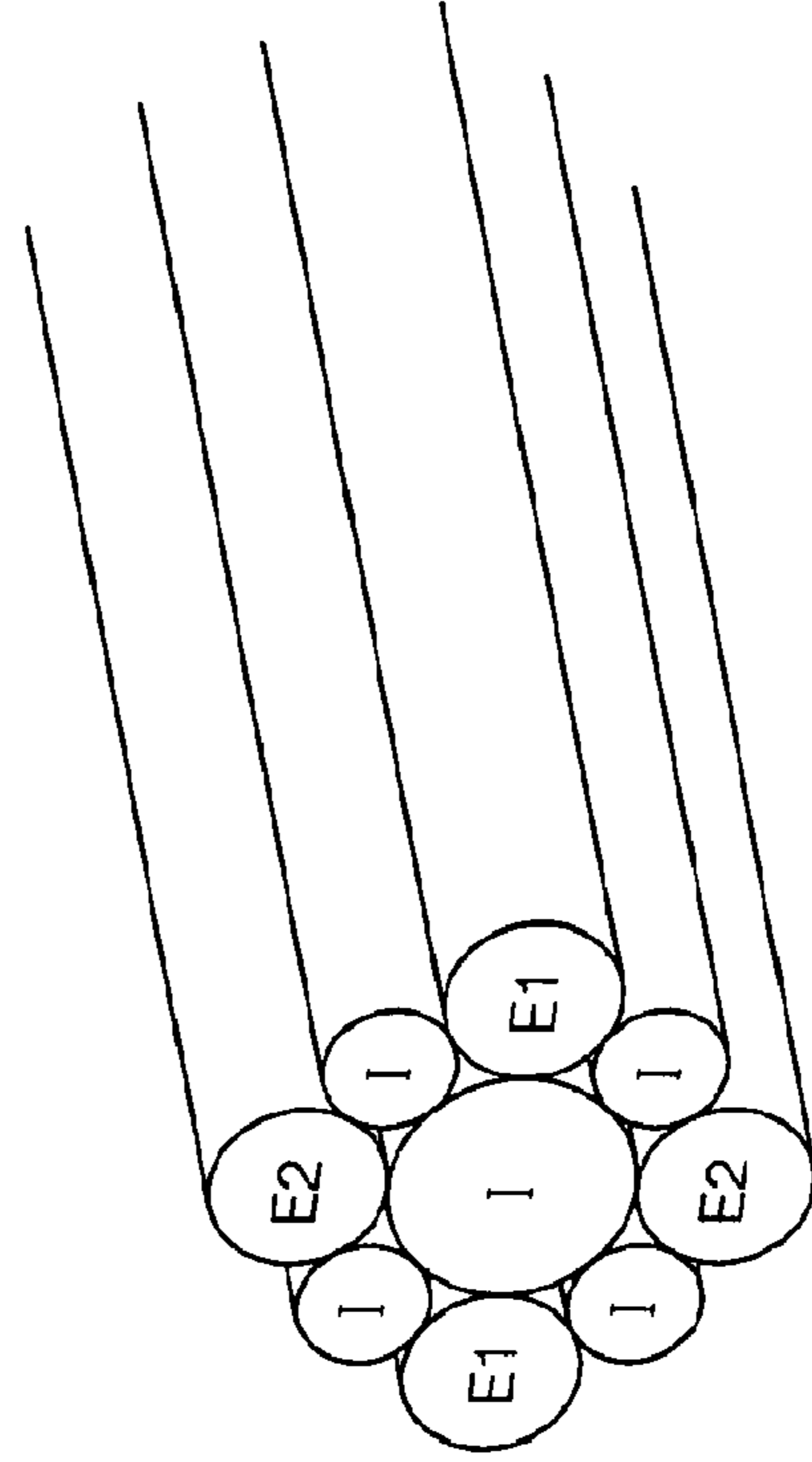


FIG. 7E

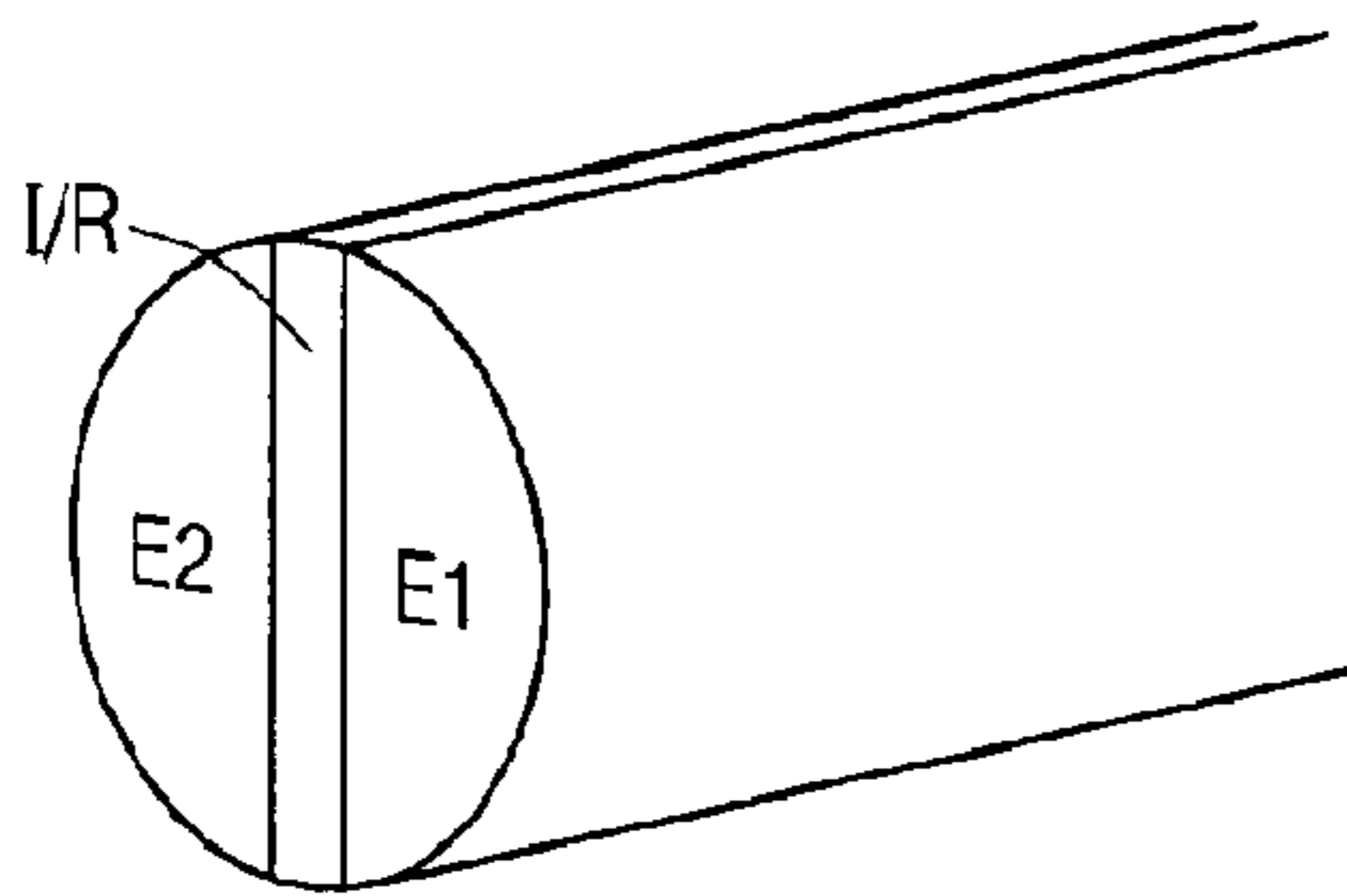


FIG. 7F

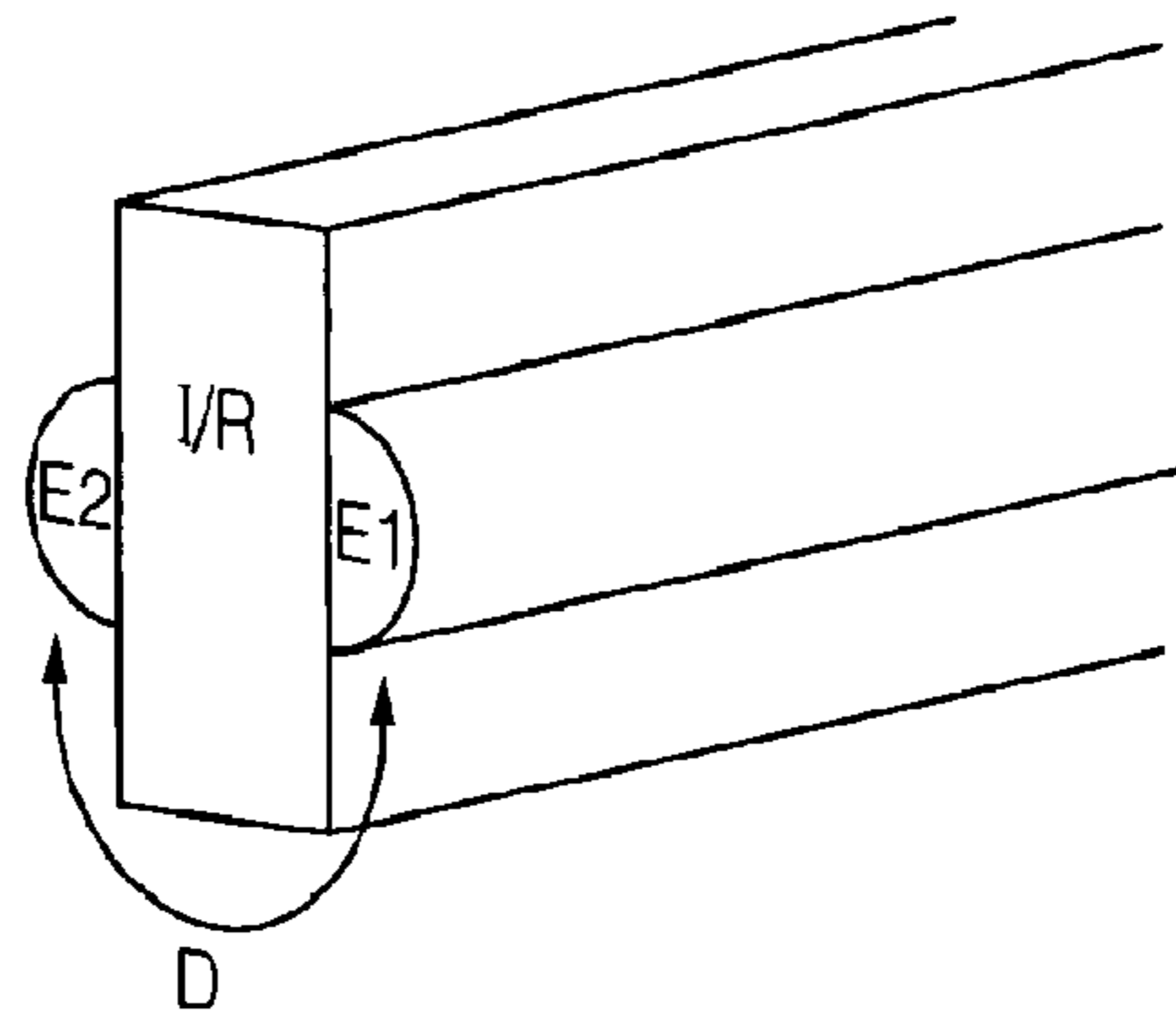


FIG. 7G

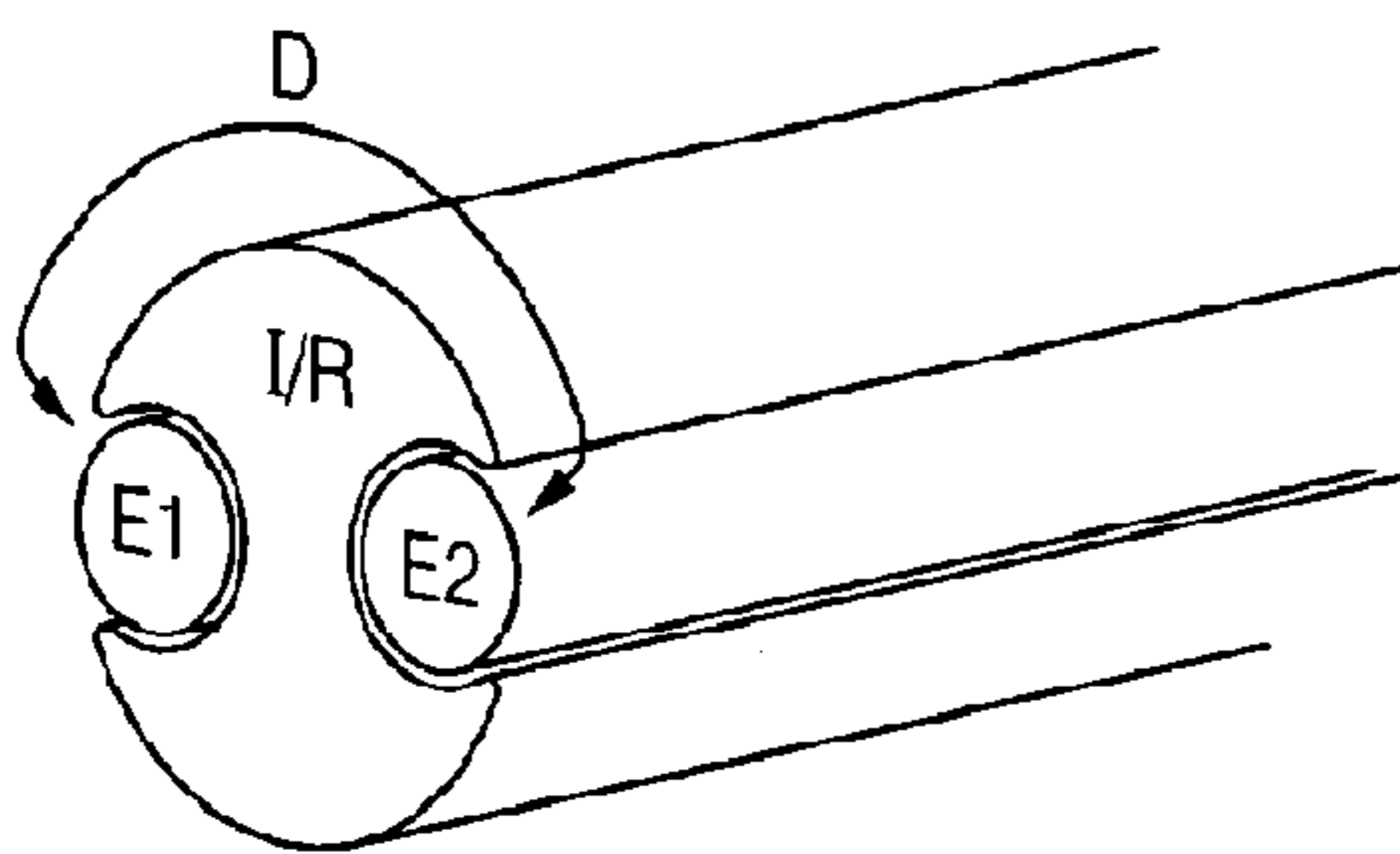


FIG. 7H

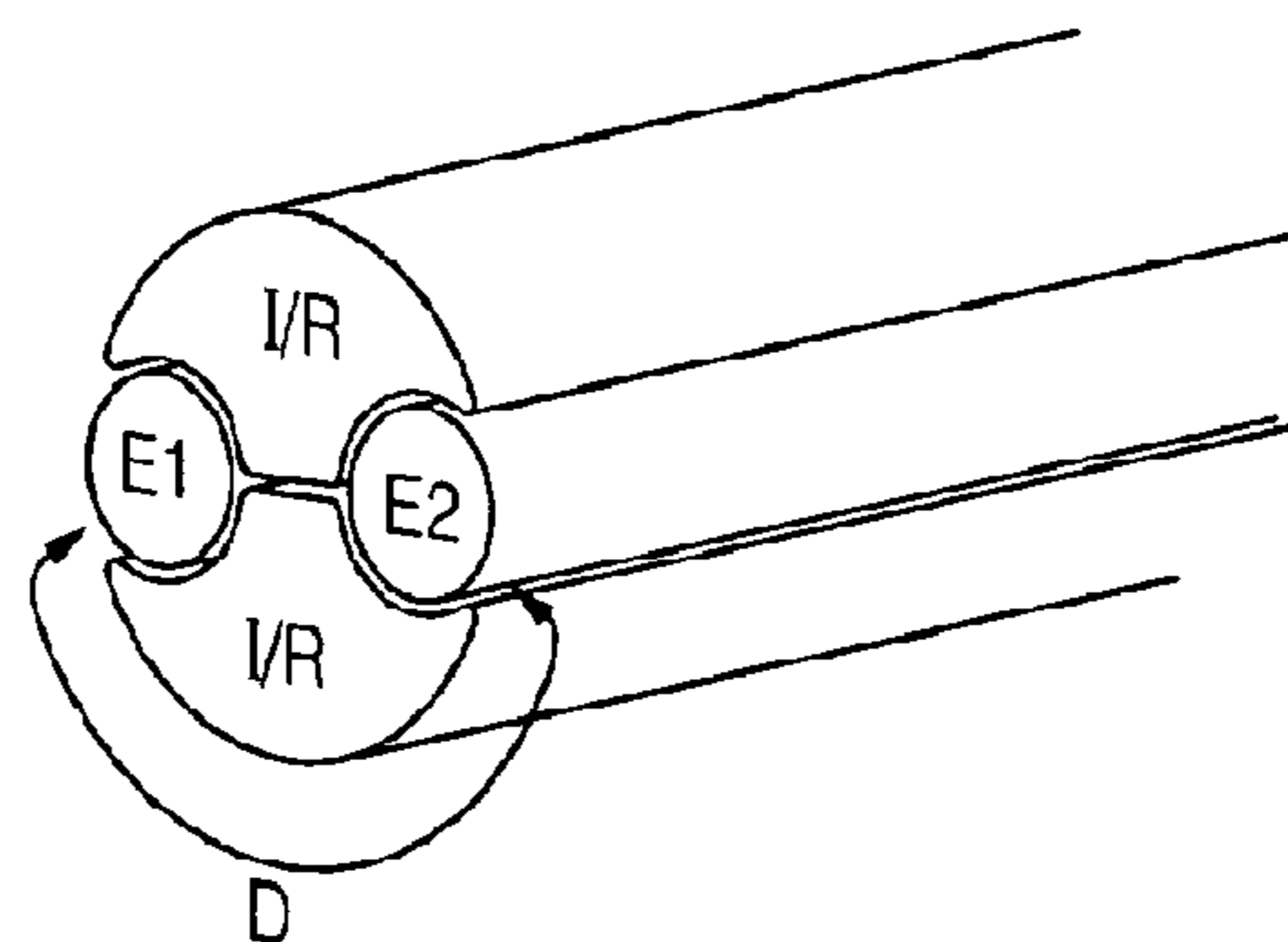


FIG. 7I

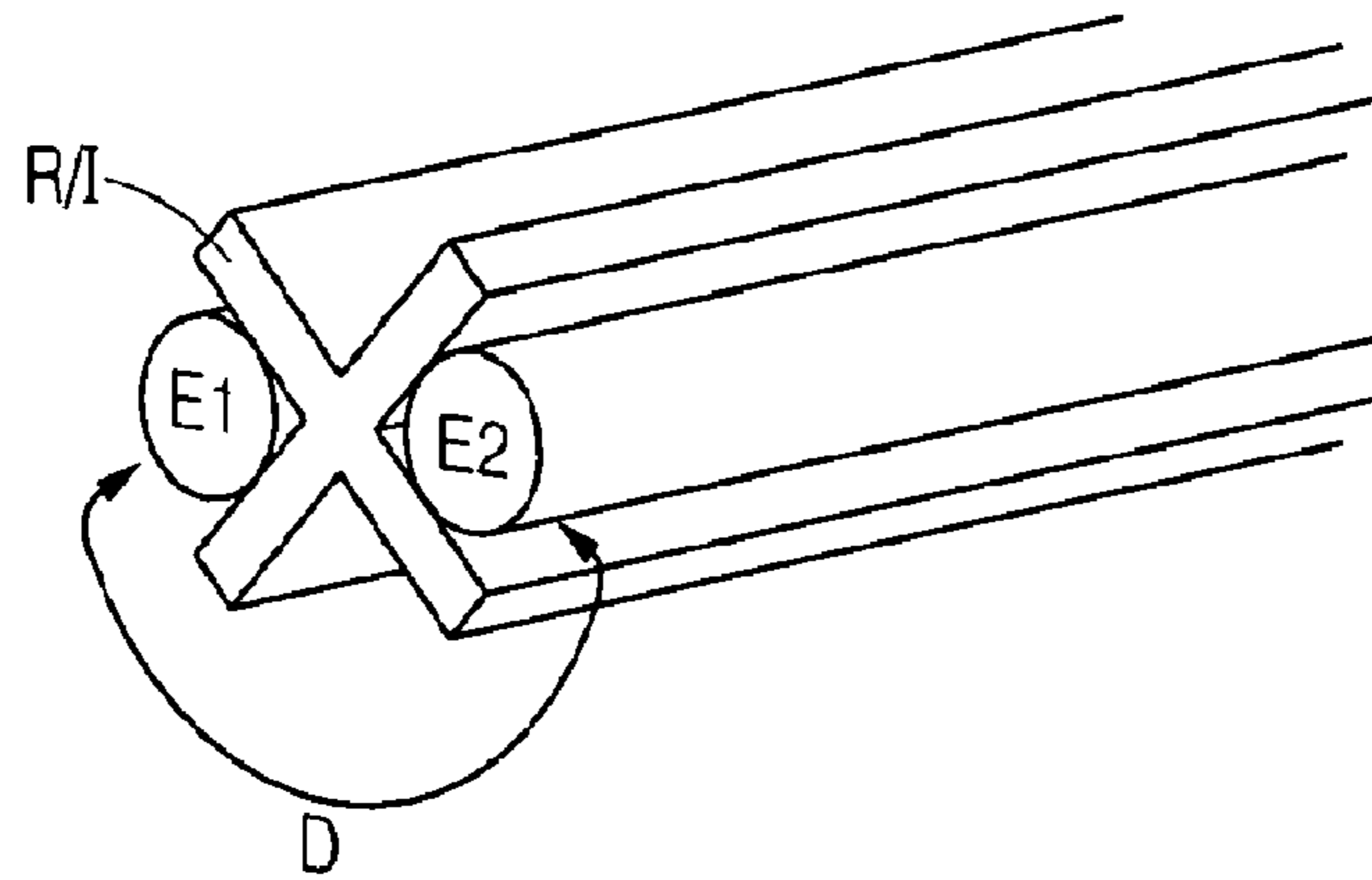


FIG. 7J

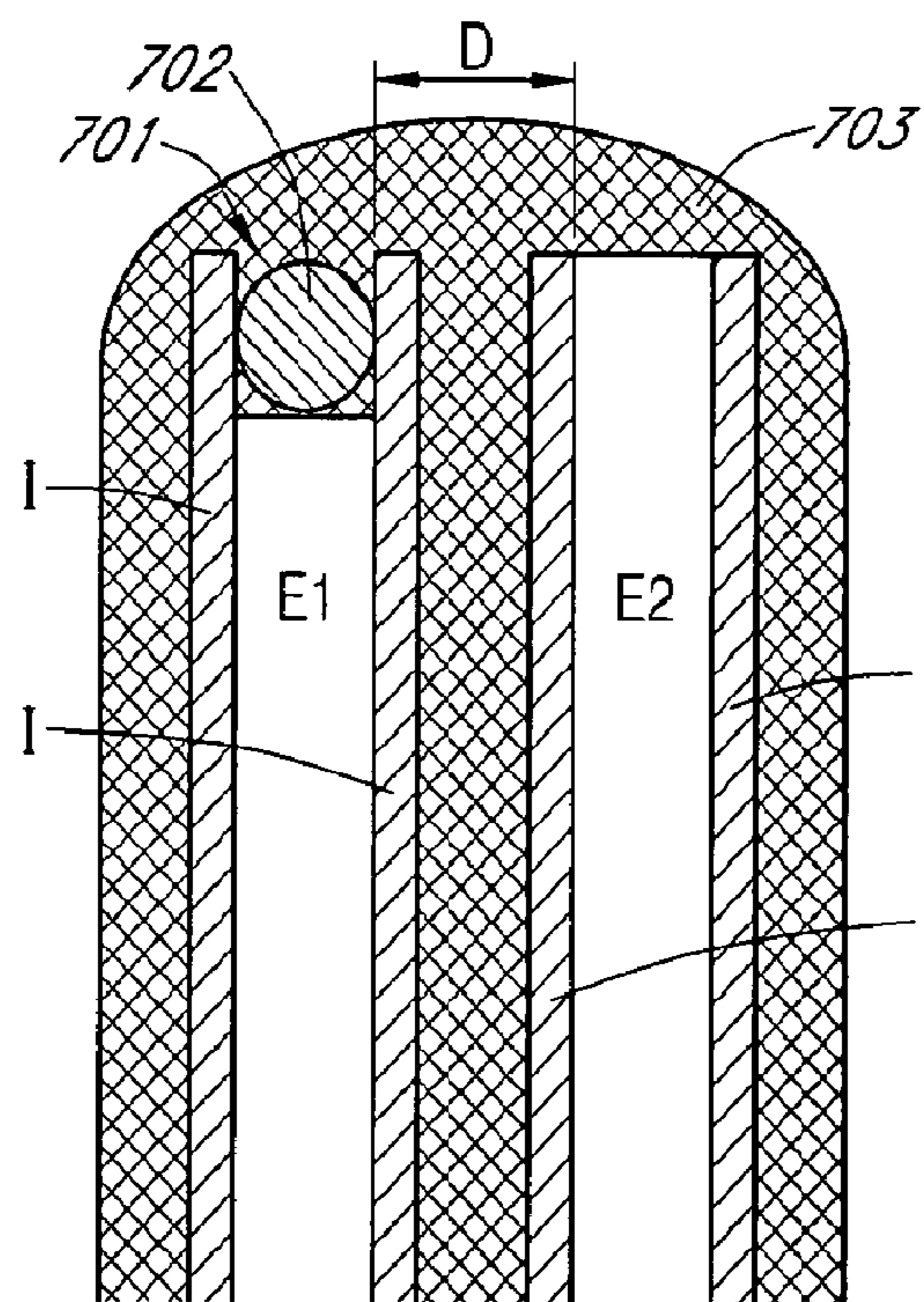


FIG. 7K

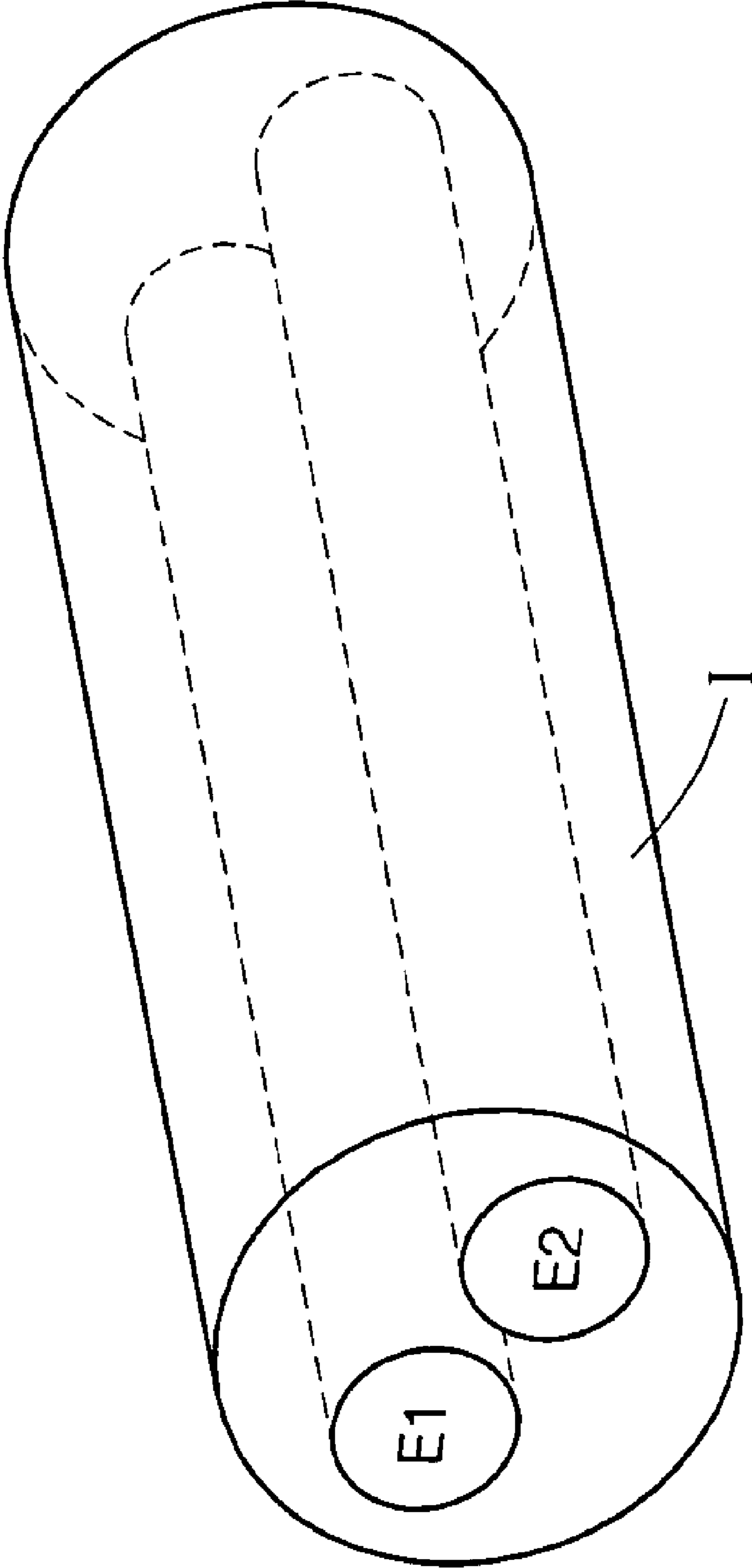


FIG. 7L

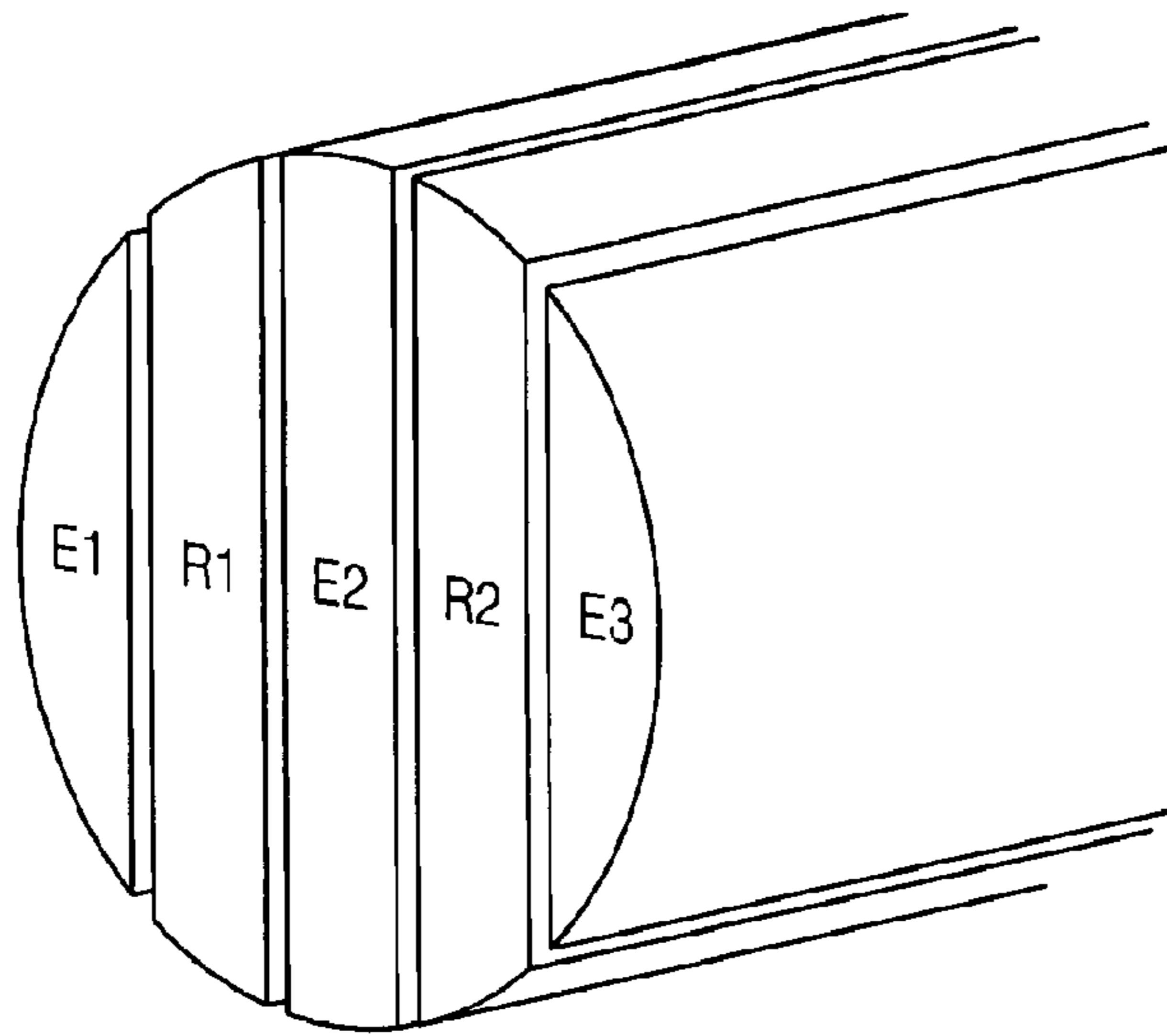


FIG. 7M

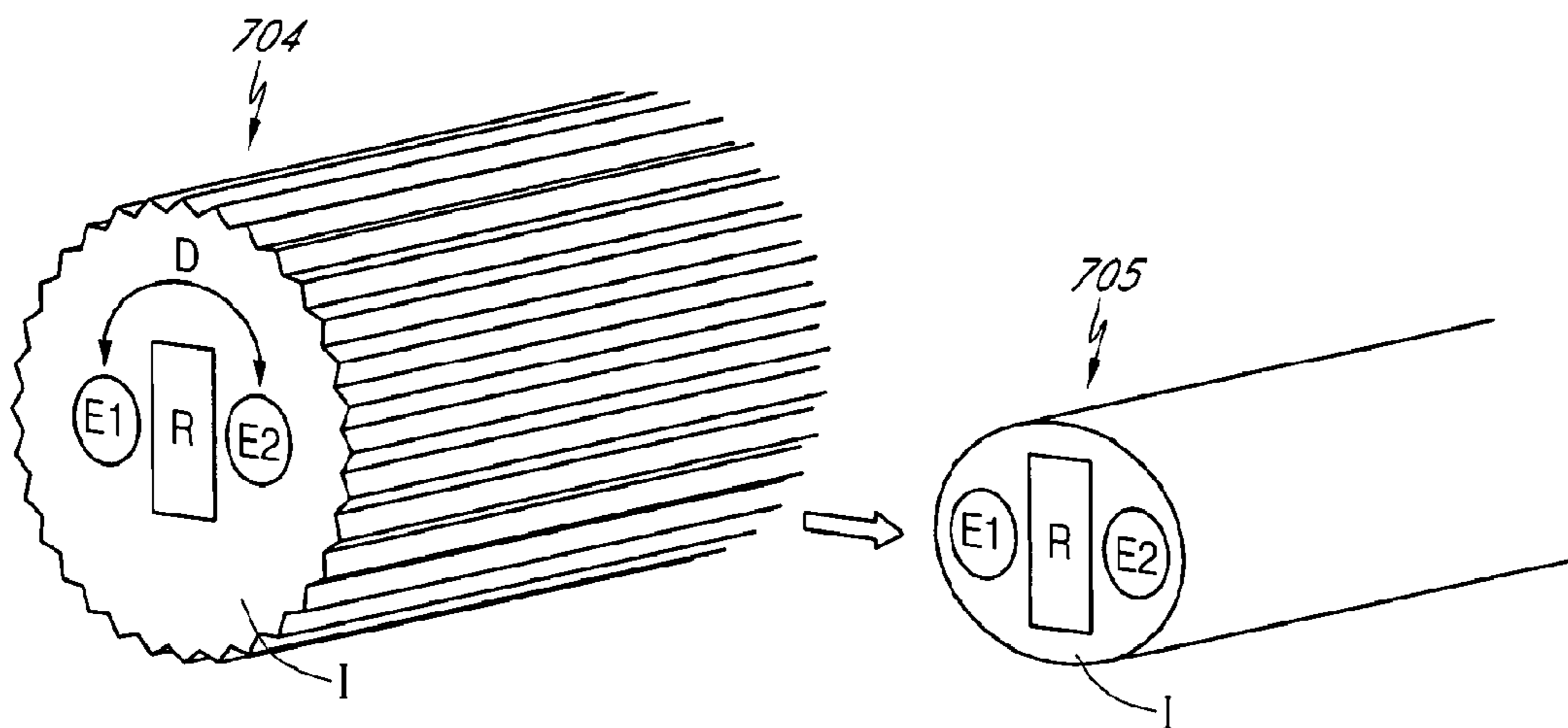


FIG. 7N

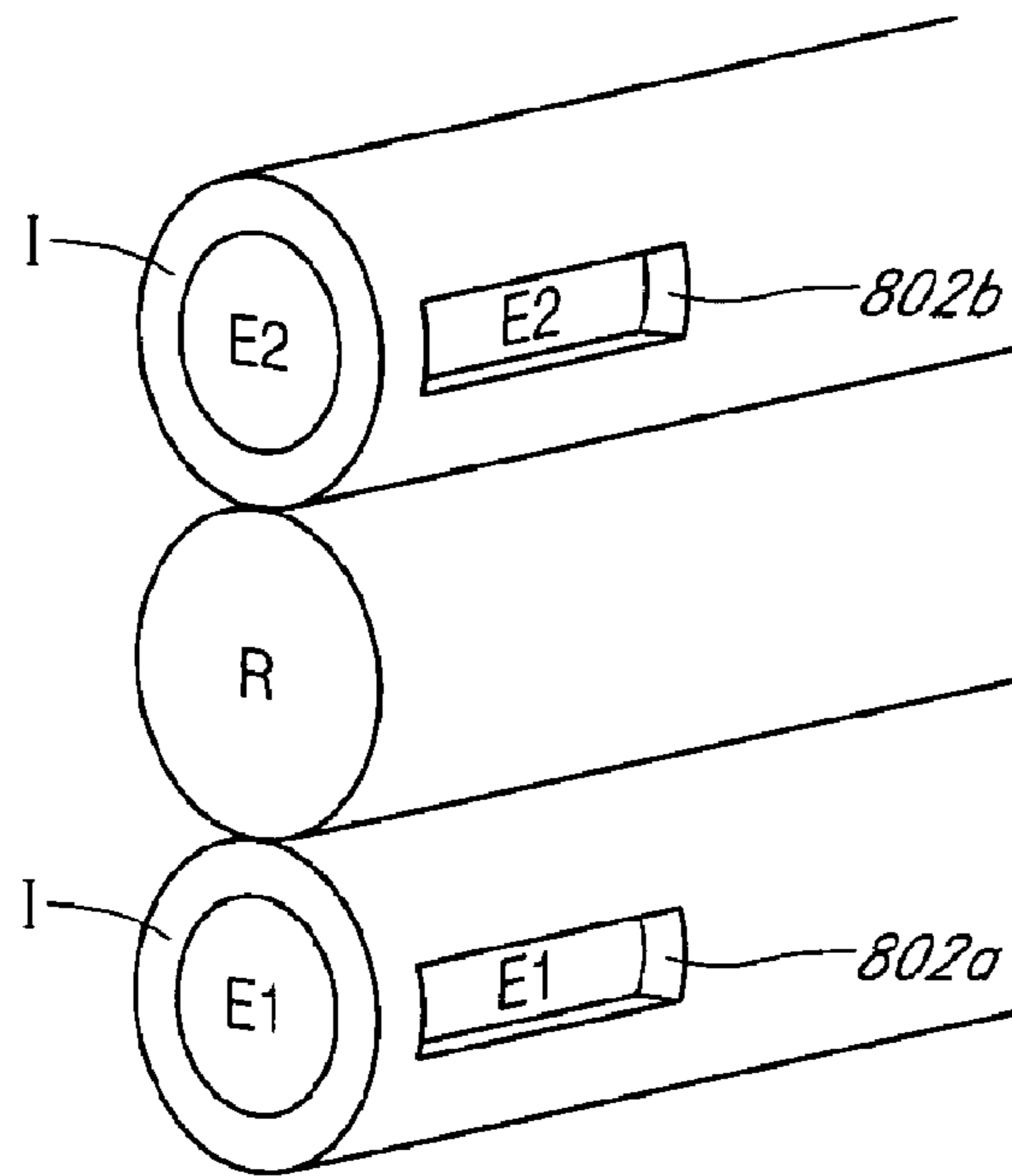


FIG. 8A

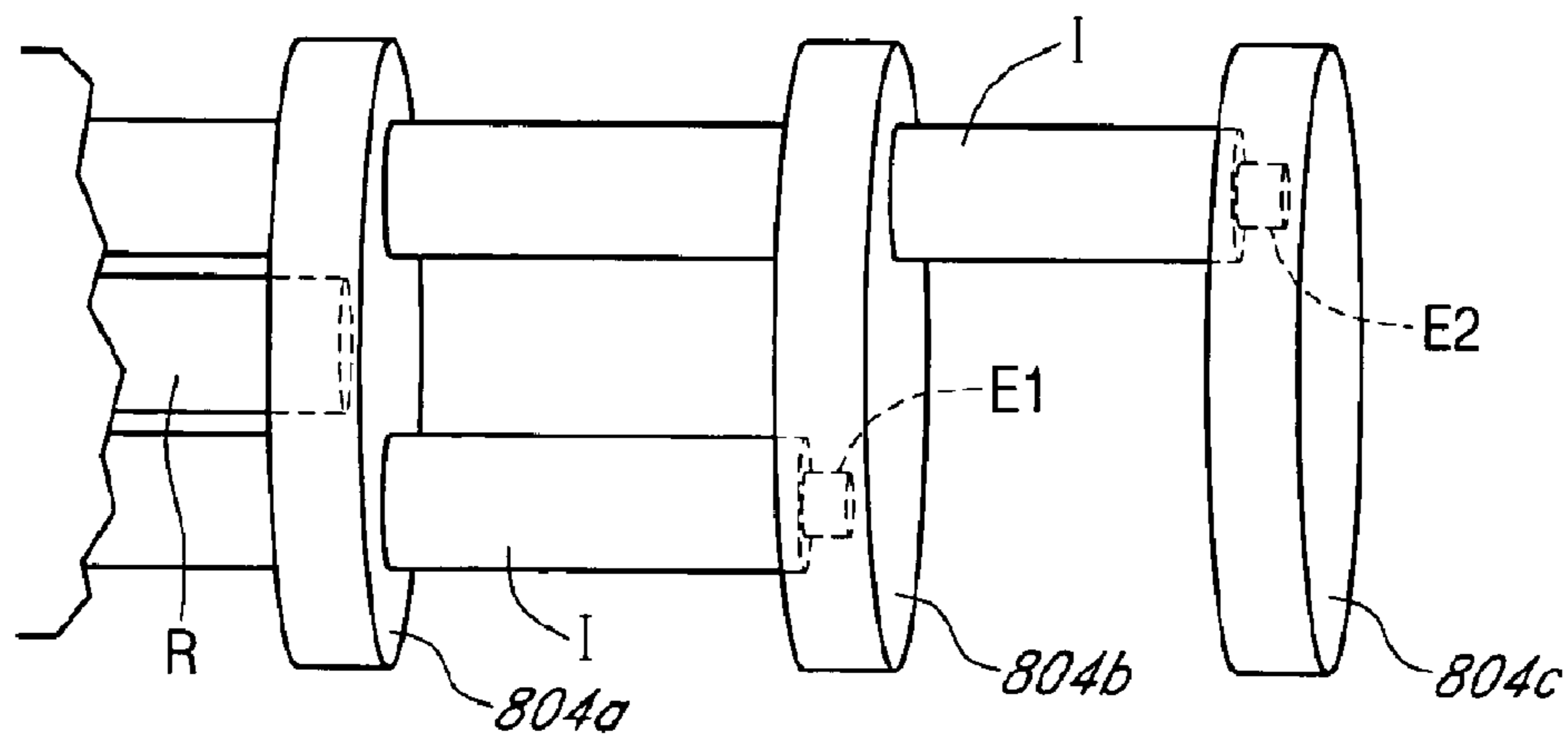


FIG. 8B

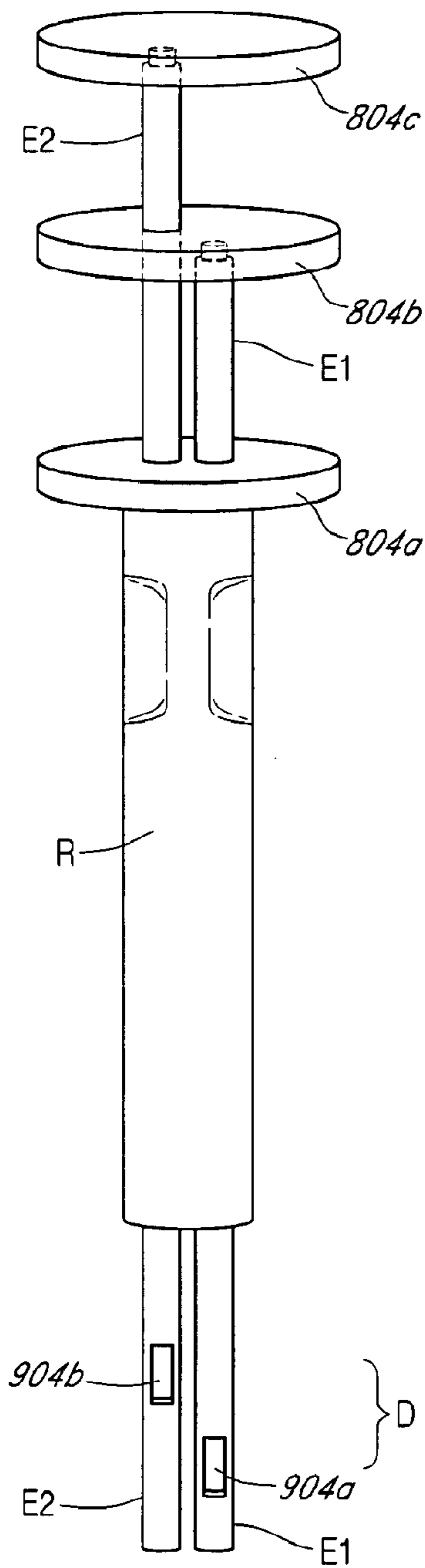


FIG. 9A

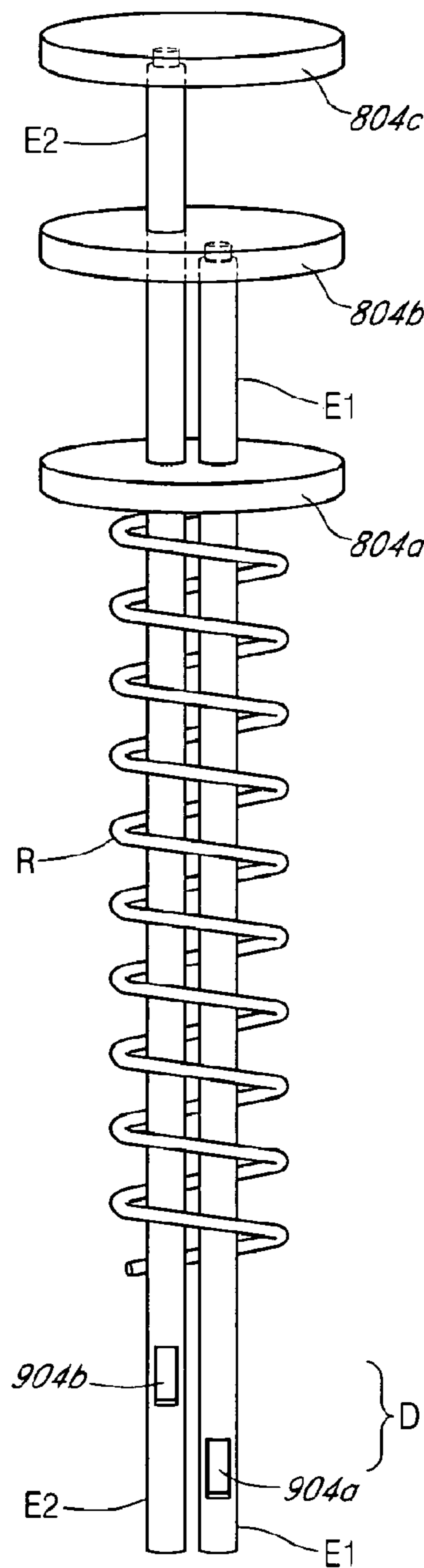


FIG. 9B

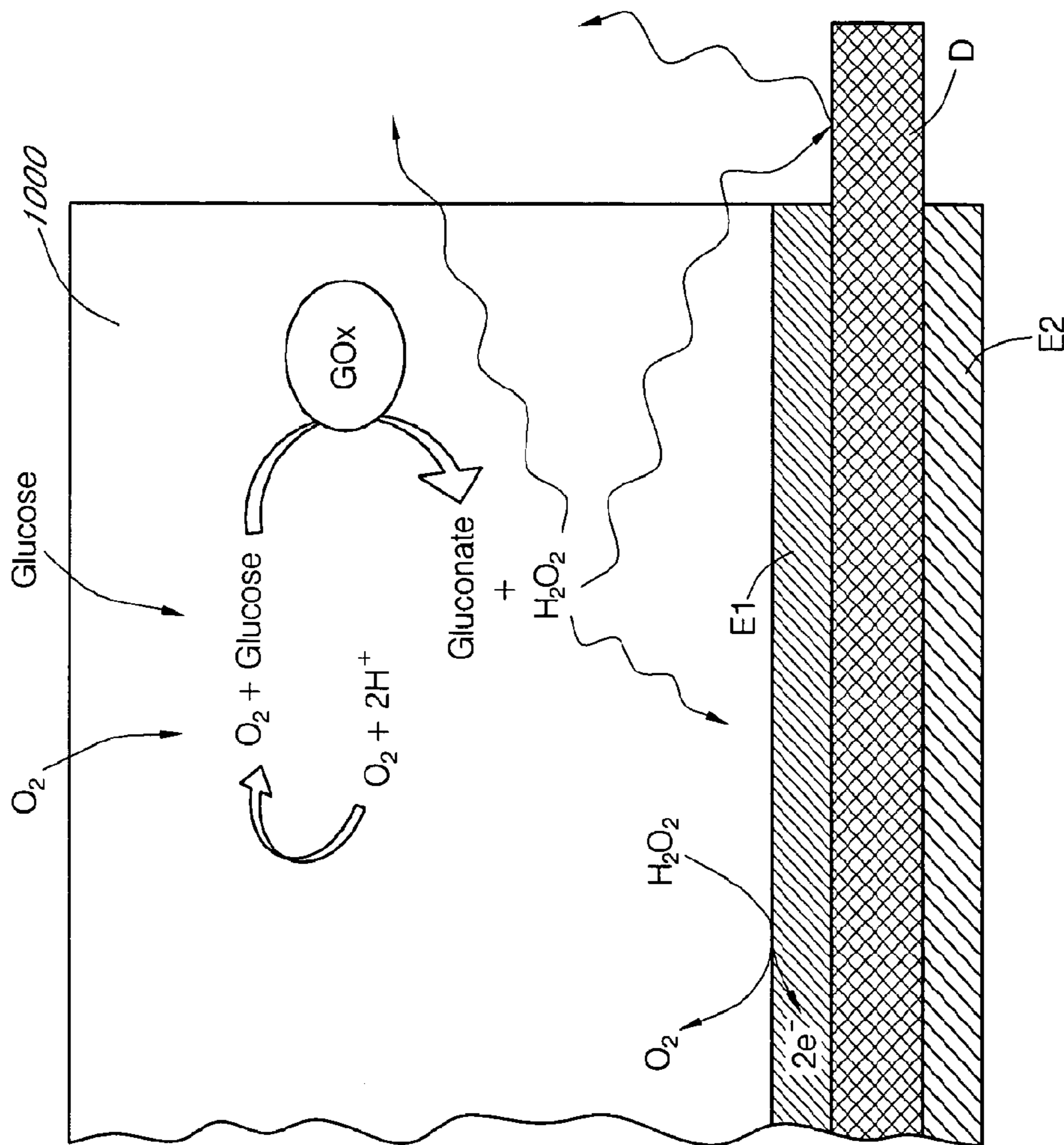


FIG. 10

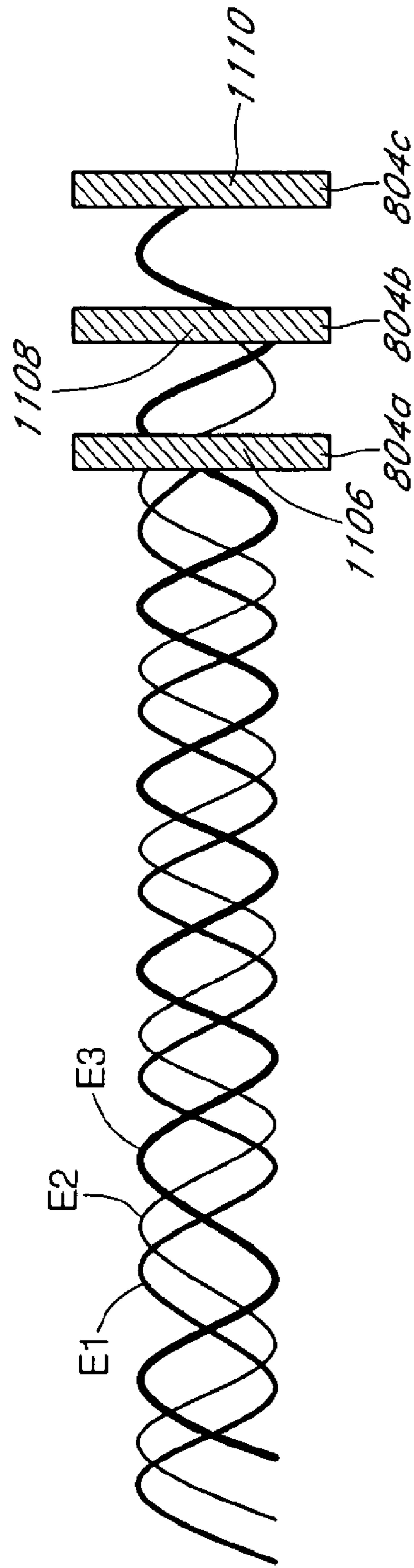


FIG. 11

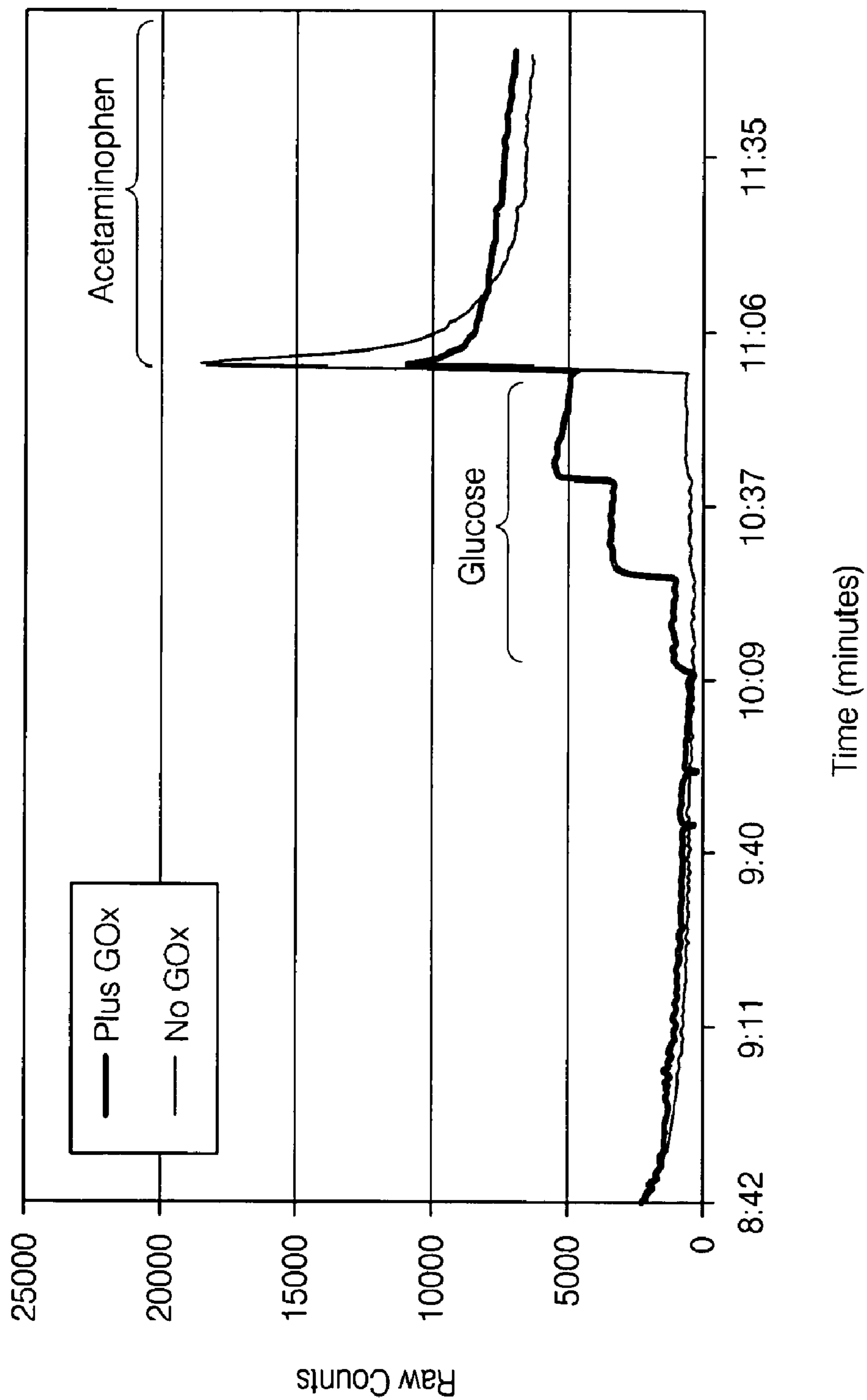


FIG. 12

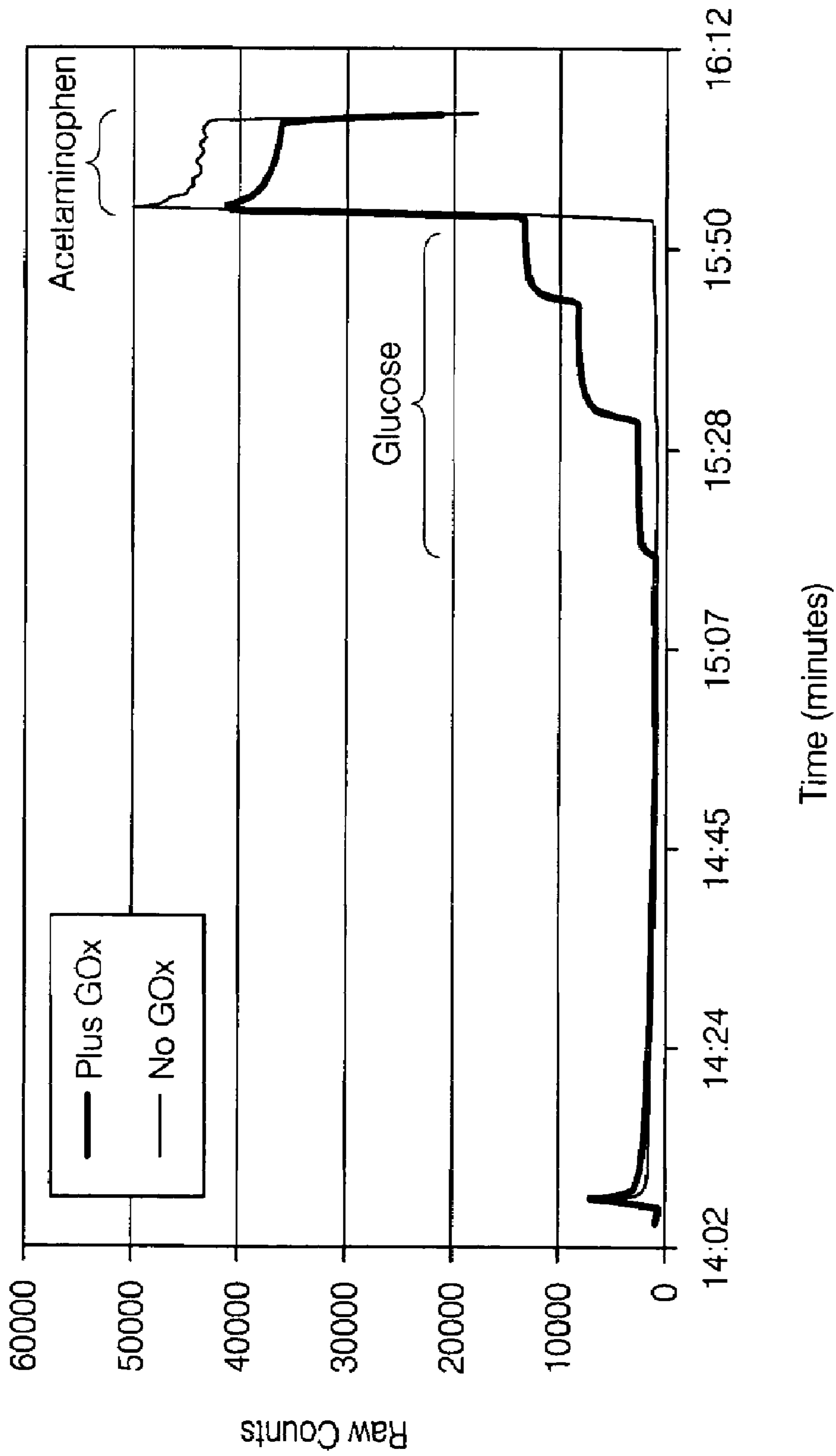


FIG. 13

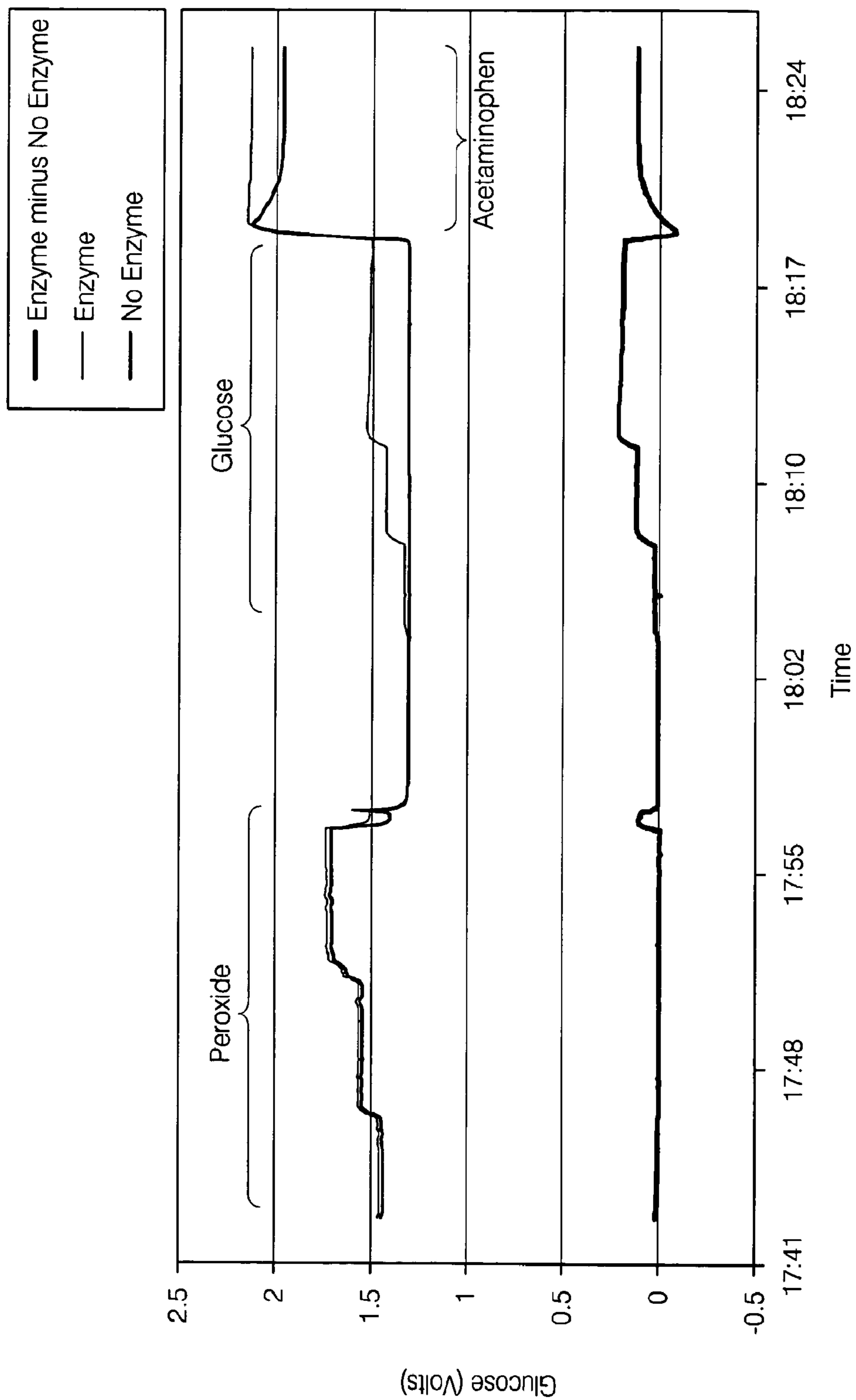


FIG. 14

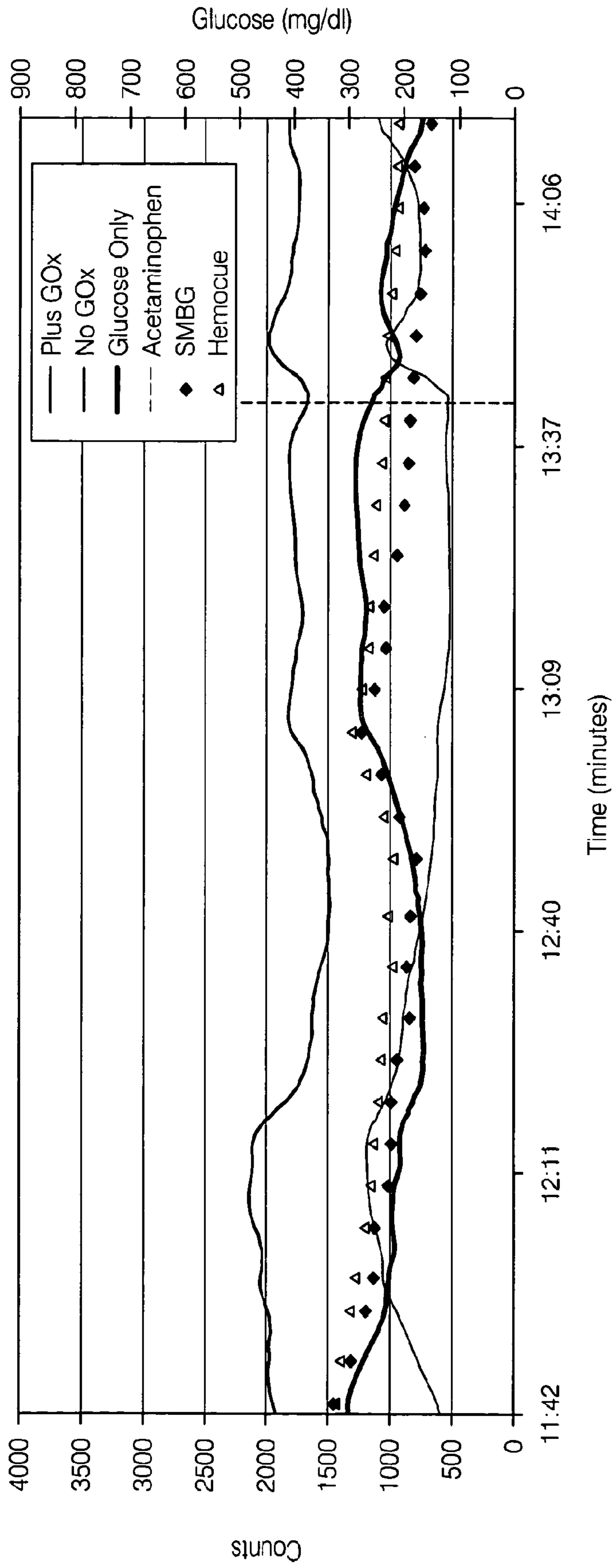


FIG. 15

1

DUAL ELECTRODE SYSTEM FOR A CONTINUOUS ANALYTE SENSOR

Matter enclosed in heavy brackets [] appears in the original patent but forms no part of this reissue specification; matter printed in italics indicates the additions made by reissue.

CROSS-REFERENCE TO RELATED APPLICATION

This application is a reissue of U.S. Pat. No. 7,424,318, issued Sep. 9, 2008.

FIELD OF THE INVENTION

The present invention relates generally to systems and methods for measuring an analyte concentration in a host.

BACKGROUND OF THE INVENTION

Diabetes mellitus is a disorder in which the pancreas cannot create sufficient insulin (Type 1 or insulin dependent) and/or in which insulin is not effective (Type 2 or non-insulin dependent). In the diabetic state, the victim suffers from high blood sugar, which may cause an array of physiological derangements (for example, kidney failure, skin ulcers, or bleeding into the vitreous of the eye) associated with the deterioration of small blood vessels. A hypoglycemic reaction (low blood sugar) may be induced by an inadvertent overdose of insulin, or after a normal dose of insulin or glucose-lowering agent accompanied by extraordinary exercise or insufficient food intake.

Conventionally, a diabetic person carries a self-monitoring blood glucose (SMBG) monitor, which typically comprises uncomfortable finger pricking methods. Due to the lack of comfort and convenience, a diabetic will normally only measure his or her glucose level two to four times per day. Unfortunately, these time intervals are so far spread apart that the diabetic will likely find out too late, sometimes incurring dangerous side effects, of a hyper- or hypo-glycemic condition. In fact, it is not only unlikely that a diabetic will take a timely SMBG value, but the diabetic will not know if their blood glucose value is going up (higher) or down (lower) based on conventional methods, inhibiting their ability to make educated insulin therapy decisions.

SUMMARY OF THE INVENTION

A variety of continuous glucose sensors have been developed for detecting and/or quantifying glucose concentration in a host. These sensors have typically required one or more blood glucose measurements, or the like, from which to calibrate the continuous glucose sensor to calculate the relationship between the current output of the sensor and blood glucose measurements, to provide meaningful values to a patient or doctor. Unfortunately, continuous glucose sensors are conventionally also sensitive to non-glucose related changes in the baseline current and sensitivity over time, for example, due to changes in a host's metabolism, maturation of the tissue at the biointerface of the sensor, interfering species which cause a measurable increase or decrease in the signal, or the like. Therefore, in addition to initial calibration, continuous glucose sensors should be responsive to baseline and/or sensitivity changes over time, which requires recalibration of the sensor. Consequently, users of continuous glucose sen-

2

sors have typically been required to obtain numerous blood glucose measurements daily and/or weekly in order to maintain calibration of the sensor over time.

The preferred embodiments provide improved calibration techniques that utilize electrode systems and signal processing that provides measurements useful in simplifying and updating calibration that allows the patient increased convenience (for example, by requiring fewer reference glucose values) and confidence (for example, by increasing accuracy of the device).

One aspect of the preferred embodiments is a method for measuring a sensitivity change of a glucose sensor implanted in a host over a time period comprising: 1) measuring a first signal in the host by obtaining at least one glucose-related sensor data point, wherein the first signal is measured at a glucose-measuring electrode disposed beneath an enzymatic portion of a membrane system on the sensor; 2) measuring a second signal in the host by obtaining at least one non-glucose constant data point, wherein the second signal is measured beneath the inactive or non-enzymatic portion of the membrane system on the sensor; and 3) monitoring the second signal over a time period, whereby a sensitivity change associated with solute transport through the membrane system is measured. In one embodiment, the second signal is indicative of a presence or absence of a water-soluble analyte. The water-soluble analyte may comprise urea. In one embodiment, the second signal is measured at an oxygen-measuring electrode disposed beneath a non-enzymatic portion of the membrane system. In one embodiment, the glucose-measuring electrode incrementally measures oxygen, whereby the second signal is measured. In one embodiment, the second signal is measured at an oxygen sensor disposed beneath the membrane system. In one embodiment, the sensitivity change is calculated as a glucose-to-oxygen ratio, whereby an oxygen threshold is determined that is indicative of a stability of the glucose sensor. One embodiment further comprises filtering the first signal responsive to the stability of the glucose sensor. One embodiment further comprises displaying a glucose value derived from the first signal, wherein the display is suspended depending on the stability of the glucose sensor. One embodiment further comprises calibrating the first signal, wherein the calibrating step is suspended when the glucose sensor is determined to be stable. One embodiment further comprises calibrating the glucose sensor when the sensitivity change exceeds a preselected value. The step of calibrating may comprise receiving a reference signal from a reference analyte monitor, the reference signal comprising at least one reference data point. The step of calibrating may comprise using the sensitivity change to calibrate the glucose sensor. The step of calibrating may be performed repeatedly at a frequency responsive to the sensitivity change. One embodiment further comprises determining a stability of glucose transport through the membrane system, wherein the stability of glucose transport is determined by measuring the sensitivity change over a time period. One embodiment further comprises a step of prohibiting calibration of the glucose sensor when glucose transport is determined to be unstable. One embodiment further comprises a step of filtering at least one glucose-related sensor data point when glucose transport is determined to be unstable.

Another aspect of the preferred embodiments is a system for measuring glucose in a host, comprising a glucose-measuring electrode configured to generate a first signal comprising at least one glucose-related sensor data point, wherein the glucose-measuring electrode is disposed beneath an enzymatic portion of a membrane system on a glucose sensor and a transport-measuring electrode configured to generate a sec-

3

ond signal comprising at least one non-glucose constant analyte data point, wherein the transport-measuring electrode is situated beneath the membrane system on the glucose sensor. One embodiment further comprises a processor module configured to monitor the second signal whereby a sensitivity change associated with transport of the non-glucose constant analyte through the membrane system over a time period is measured. In one embodiment, the transport-measuring electrode is configured to measure oxygen. In one embodiment, the processor module is configured to determine whether a glucose-to-oxygen ratio exceeds a threshold level, wherein a value is calculated from the first signal and the second signal, wherein the value is indicative of the glucose-to-oxygen ratio. In one embodiment, the processor module is configured to calibrate the glucose-related sensor data point in response to the sensitivity change. In one embodiment, the processor module is configured to receive reference data from a reference analyte monitor, the reference data comprising at least one reference data point, wherein the processor module is configured to use the reference data point for calibrating the glucose-related sensor data point. In one embodiment, the processor module is configured to use the sensitivity change for calibrating the glucose-related sensor data point. In one embodiment, the processor module is configured to calibrate the glucose-related sensor data point repeatedly at a frequency, wherein the frequency is selected based on the sensitivity change. One embodiment further comprises a stability module configured to determine a stability of glucose transport through the membrane system, wherein the stability of glucose transport is correlated with the sensitivity change. In one embodiment, the processor module is configured to prohibit calibration of the glucose-related sensor data point when the stability of glucose transport falls below a threshold. In one embodiment, the processor module is configured to initiate filtering of the glucose-related sensor data point when the stability of glucose transport falls below a threshold.

Another aspect of the preferred embodiments is a method for processing data from a glucose sensor in a host, comprising: 1) measuring a first signal associated with glucose and non-glucose related electroactive compounds, wherein the first signal is measured at a first electrode disposed beneath an active enzymatic portion of a membrane system; 2) measuring a second signal associated with a non-glucose related electroactive compound, wherein the second signal is measured at a second electrode that is disposed beneath a non-enzymatic portion of the membrane system; and 3) monitoring the second signal over a time period, whereby a change in the non-glucose related electroactive compound in the host is measured. One embodiment further comprises a step of subtracting the second signal from the first signal, whereby a differential signal comprising at least one glucose sensor data point is determined. The step of subtracting may be performed electronically in the sensor. Alternatively, the step of subtracting may be performed digitally in the sensor or an associated receiver. One embodiment further comprises calibrating the glucose sensor, wherein the step of calibrating comprises: 1) receiving reference data from a reference analyte monitor, the reference data comprising at least two reference data points; 2) providing at least two matched data pairs by matching the reference data to substantially time corresponding sensor data; and 3) calibrating the glucose sensor using the two or more matched data pairs and the differential signal. One embodiment further comprises a step of calibrating the glucose sensor in response to a change in the non-glucose related electroactive compound over the time period. The step of calibrating may comprise receiving reference data from a reference analyte monitor, the reference data

4

comprising at least one reference data point. The step of calibrating may comprise using the change in the non-glucose related electroactive compound over the time period to calibrate the glucose sensor. The step of calibrating may be performed repeatedly at a frequency, wherein the frequency is selected based on the change in the non-glucose related electroactive compound over the time period. One embodiment further comprises prohibiting calibration of the glucose sensor when the change in the non-glucose related electroactive compound rises above a threshold during the time period. One embodiment further comprises filtering the glucose sensor data point when the change in the non-glucose related electroactive compound rises above a threshold during the time period. One embodiment further comprises measuring a third signal in the host by obtaining at least one non-glucose constant data point, wherein the third signal is measured beneath the membrane system. One embodiment further comprises monitoring the third signal over a time period, whereby a sensitivity change associated with solute transport through the membrane system is measured. In one embodiment, an oxygen-measuring electrode disposed beneath the non-enzymatic portion of the membrane system measures the third signal. In one embodiment, the first electrode measures the third signal by incrementally measuring oxygen. In one embodiment, an oxygen sensor disposed beneath the membrane system measures the third signal. One embodiment further comprises determining whether a glucose-to-oxygen ratio exceeds a threshold level by calculating a value from the first signal and the second signal, wherein the value is indicative of the glucose-to-oxygen ratio. One embodiment further comprises calibrating the glucose sensor in response to the sensitivity change measured over a time period. The step of calibrating may comprise receiving reference data from a reference analyte monitor, the reference data comprising at least one reference data point. The step of calibrating may comprise using the sensitivity change. The step of calibrating may be performed repeatedly at a frequency, wherein the frequency is selected based on the sensitivity change. One embodiment further comprises determining a glucose transport stability through the membrane system, wherein the glucose transport stability corresponds to the sensitivity change over a period of time. One embodiment further comprises prohibiting calibration of the glucose sensor when the glucose transport stability falls below a threshold. One embodiment further comprises filtering the glucose-related sensor data point when the glucose transport stability falls below a threshold.

Still another aspect of the preferred embodiments is a system for measuring glucose in a host, comprising a first working electrode configured to generate a first signal associated with a glucose related electroactive compound and a non-glucose related electroactive compound, wherein the first electrode is disposed beneath an active enzymatic portion of a membrane system on a glucose sensor; a second working electrode configured to generate a second signal associated with the non-glucose related electroactive compound, wherein the second electrode is disposed beneath a non-enzymatic portion of the membrane system on the glucose sensor; and a processor module configured to monitor the second signal over a time period, whereby a change in the non-glucose related electroactive compound is measured. One embodiment further comprises a subtraction module configured to subtract the second signal from the first signal, whereby a differential signal comprising at least one glucose sensor data point is determined. The subtraction module may comprise a differential amplifier configured to electronically subtract the second signal from the first signal. The subtrac-

5

tion module may comprise at least one of hardware and software configured to digitally subtract the second signal from the first signal. One embodiment further comprises a reference electrode, wherein the first working electrode and the second working electrode are operatively associated with the reference electrode. One embodiment further comprises a counter electrode, wherein the first working electrode and the second working electrode are operatively associated with the counter electrode. One embodiment further comprises a first reference electrode and a second reference electrode, wherein the first reference electrode is operatively associated with the first working electrode, and wherein the second reference electrode is operatively associated with the second working electrode. One embodiment further comprises a first counter electrode and a second counter electrode, wherein the first counter electrode is operatively associated with the first working electrode, and wherein the second counter electrode is operatively associated with the second working electrode. One embodiment further comprises a reference input module adapted to obtain reference data from a reference analyte monitor, the reference data comprising at least one reference data point, wherein the processor module is configured to format at least one matched data pair by matching the reference data to substantially time corresponding glucose sensor data and subsequently calibrating the system using at least two matched data pairs and the differential signal. In one embodiment, the processor module is configured to calibrate the system in response to the change in the non-glucose related electroactive compound in the host over the time period. In one embodiment, the processor module is configured to request reference data from a reference analyte monitor, the reference data comprising at least one reference data point, wherein the processor module is configured to recalibrate the system using the reference data. In one embodiment, the processor module is configured to recalibrate the system using the change in the non-glucose related electroactive compound measured over the time period. In one embodiment, the processor module is configured to repeatedly recalibrate at a frequency, wherein the frequency is selected based on the change in the non-glucose related electroactive compound over the time period. In one embodiment, the processor module is configured to prohibit calibration of the system when a change in the non-glucose related electroactive compound rises above a threshold during the time period. In one embodiment, the processor module is configured to filter the glucose sensor data point when the change in the non-glucose related electroactive compound rises above a threshold during the time period. One embodiment further comprises a third electrode configured to generate a third signal, the third signal comprising at least one non-glucose constant analyte data point, wherein the third electrode is disposed beneath the membrane system on the sensor. The third electrode may be configured to measure oxygen. In one embodiment, the processor module is configured to determine whether a glucose-to-oxygen ratio exceeds a threshold level, wherein a value indicative of the glucose-to-oxygen ratio is calculated from the first signal and the second signal. In one embodiment, the processor module is configured to monitor the third signal over a time period, whereby a sensitivity change associated with solute transport through the membrane system is measured. In one embodiment, the processor module is configured to calibrate the glucose-related sensor data point in response to the sensitivity change. In one embodiment, the processor module is configured to receive reference data from a reference analyte monitor, the reference data comprising at least one reference data point, wherein the processor module is configured to calibrate the glucose sensor data point using

6

the reference data point. In one embodiment, the processor module is configured to calibrate the glucose-related sensor data point repeatedly at a frequency, wherein the frequency is selected based on the sensitivity change. One embodiment further comprises a stability module configured to determine a stability of glucose transport through the membrane system, wherein the stability of glucose transport is correlated with the sensitivity change. In one embodiment, the processor module is configured to prohibit calibration of the glucose-related sensor data point when the stability of glucose transport falls below a threshold. In one embodiment, the processor module is configured to filter the glucose-related sensor data point when the stability of glucose transport falls below a threshold.

In a first aspect, an analyte sensor configured for insertion into a host for measuring an analyte in the host is provided the sensor comprising a first working electrode disposed beneath an active enzymatic portion of a sensor membrane; and a second working electrode disposed beneath an inactive-enzymatic or a non-enzymatic portion of a sensor membrane, wherein the first working electrode and the second working electrode each integrally form at least a portion of the sensor.

In an embodiment of the first aspect, the first working electrode and the second working electrode are coaxial.

In an embodiment of the first aspect, at least one of the first working electrode and the second working electrode is twisted or helically wound to integrally form at least a portion of the sensor.

In an embodiment of the first aspect, the first working electrode and the second working electrode are twisted together to integrally form an in vivo portion of the sensor.

In an embodiment of the first aspect, one of the first working electrode and the second working electrode is deposited or plated over the other of the first working electrode and the second working electrode.

In an embodiment of the first aspect, the first working electrode and the second working electrode each comprise a first end and a second end, wherein the first ends are configured for insertion in the host, and wherein the second ends are configured for electrical connection to sensor electronics.

In an embodiment of the first aspect, the second ends are coaxial.

In an embodiment of the first aspect, the second ends are stepped.

In an embodiment of the first aspect, wherein the sensor further comprises at least one additional electrode selected from the group consisting of a reference electrode and a counter electrode.

In an embodiment of the first aspect, the additional electrode, together with the first working electrode and the second working electrode, integrally form at least a portion of the sensor.

In an embodiment of the first aspect, the additional electrode is located at a position remote from the first and second working electrodes.

In an embodiment of the first aspect, a surface area of the additional electrode is at least six times a surface area of at least one of the first working electrode and the second working electrode.

In an embodiment of the first aspect, the sensor is configured for implantation into the host.

In an embodiment of the first aspect, the sensor is configured for subcutaneous implantation in a tissue of a host.

In an embodiment of the first aspect, the sensor is configured for indwelling in a blood stream of a host.

In an embodiment of the first aspect, the sensor substantially continuously measures an analyte concentration in a host.

In an embodiment of the first aspect, the sensor comprises a glucose sensor, and wherein the first working electrode is configured to generate a first signal associated with glucose and non-glucose related electroactive compounds, the glucose and non-glucose related electroactive compounds having a first oxidation potential.

In an embodiment of the first aspect, the second working electrode is configured to generate a second signal associated with noise of the glucose sensor, the noise comprising signal contribution due to non-glucose related electroactive compounds with an oxidation potential that substantially overlaps with the first oxidation potential.

In an embodiment of the first aspect, the non-glucose related electroactive species comprises at least one species selected from the group consisting of interfering species, non-reaction-related hydrogen peroxide, and other electroactive species.

In an embodiment of the first aspect, the sensor further comprises electronics operably connected to the first working electrode and the second working electrode, and configured to provide the first signal and the second signal to generate glucose concentration data substantially without signal contribution due to non-glucose-related noise.

In an embodiment of the first aspect, the sensor further comprises a non-conductive material positioned between the first working electrode and the second working electrode.

In an embodiment of the first aspect, each of the first working electrode, the second working electrode, and the non-conductive material are configured to provide at least two functions selected from the group consisting of electrical conductance, insulative property, structural support, and diffusion barrier.

In an embodiment of the first aspect, the sensor comprises a diffusion barrier configured to substantially block diffusion of at least one of an analyte and a co-analyte between the first working electrode and the second working electrode.

In a second aspect, a glucose sensor configured for insertion into a host for measuring a glucose concentration in the host is provided, the sensor comprising a first working electrode configured to generate a first signal associated with glucose and non-glucose related electroactive compounds, the glucose and non-glucose related electroactive compounds having a first oxidation potential; and a second working electrode configured to generate a second signal associated with noise of the glucose sensor comprising signal contribution due to non-glucose related electroactive compounds with an oxidation potential that substantially overlaps with the first oxidation potential, wherein the first working electrode and the second working electrode each integrally form at least a portion of the sensor.

In an embodiment of the second aspect, the first working electrode and the second working electrode integrally form a substantial portion of the sensor configured for insertion in the host.

In an embodiment of the second aspect, the sensor further comprises a reference electrode, wherein the first working electrode, the second working electrode, and the reference electrode each integrally form a substantial portion of the sensor configured for insertion in the host.

In an embodiment of the second aspect, the sensor further comprises an insulator, wherein the first working electrode, the second working electrode, and the insulator each integrally form a substantial portion of the sensor configured for insertion in the host.

In a third aspect, a system configured for measuring a glucose concentration in a host is provided, the system comprising a processor module configured to receive or process a first signal associated with glucose and non-glucose related electroactive compounds, the glucose and non-glucose related electroactive compounds having a first oxidation potential, and to receive or process a second signal associated with noise of the glucose sensor comprising signal contribution due to non-glucose related electroactive compounds with an oxidation potential that substantially overlaps with the first oxidation potential, wherein the first working electrode and the second working electrode each integrally form at least a portion of the sensor, and wherein the processor module is further configured to process the first signal and the second signal to generate glucose concentration data substantially without signal contribution due to non-glucose-related noise.

In an embodiment of the third aspect, the first working electrode and the second working electrode are coaxial.

In an embodiment of the third aspect, at least one of the first working electrode and the second working electrode is twisted or helically wound to form at least a portion of the sensor.

In an embodiment of the third aspect, the first working electrode and the second working electrode are twisted together to form an in vivo portion of the sensor.

In an embodiment of the third aspect, one of the first working electrode and the second working electrode is deposited or plated over the other of the first working electrode and the second working electrode.

In an embodiment of the third aspect, the first working electrode and the second working electrode each comprise a first end and a second end, wherein the first ends are configured for insertion in the host, and wherein the second ends are configured for electrical connection to sensor electronics.

In an embodiment of the third aspect, the second ends are coaxial.

In an embodiment of the third aspect, the second ends are stepped.

In a fourth aspect, an analyte sensor configured for insertion into a host for measuring an analyte in the host is provided, the sensor comprising a first working electrode disposed beneath an active enzymatic portion of a membrane; a second working electrode disposed beneath an inactive-enzymatic or non-enzymatic portion of a membrane; and a non-conductive material located between the first working electrode and the second working electrode, wherein each of the first working electrode, the second working electrode, and the non-conductive material are configured provide at least two functions selected from the group consisting of electrical conductance, insulative property, structural support, and diffusion barrier.

In an embodiment of the fourth aspect, each of the first working electrode and the second working electrode are configured to provide electrical conductance and structural support.

In an embodiment of the fourth aspect, the sensor further comprises a reference electrode, wherein the reference electrode is configured to provide electrical conductance and structural support.

In an embodiment of the fourth aspect, the sensor further comprises a reference electrode, wherein the reference electrode is configured to provide electrical conductance and a diffusion barrier.

In an embodiment of the fourth aspect, the non-conductive material is configured to provide an insulative property and structural support.

In an embodiment of the fourth aspect, the non-conductive material is configured to provide an insulative property and a diffusion barrier.

In an embodiment of the fourth aspect, the sensor further comprises a reference electrode, wherein the reference electrode is configured to provide a diffusion barrier and structural support.

In an embodiment of the fourth aspect, the non-conductive material is configured to provide a diffusion barrier and structural support.

In an embodiment of the fourth aspect, the sensor further comprises at least one of a reference electrode and a counter electrode.

In an embodiment of the fourth aspect, at least one of the reference electrode and the counter electrode, together with the first working electrode and the second working electrode, integrally form at least a portion of the sensor.

In an embodiment of the fourth aspect, at least one of the reference electrode and the counter electrode is located at a position remote from the first working electrode and the second working electrode.

In an embodiment of the fourth aspect, a surface area of at least one of the reference electrode and the counter electrode is at least six times a surface area of at least one of the first working electrode and the second working electrode.

In an embodiment of the fourth aspect, the sensor is configured for implantation into the host.

In an embodiment of the fourth aspect, the sensor is configured for subcutaneous implantation in a tissue of the host.

In an embodiment of the fourth aspect, the sensor is configured for indwelling in a blood stream of the host.

In an embodiment of the fourth aspect, the sensor substantially continuously measures an analyte concentration in the host.

In an embodiment of the fourth aspect, the sensor comprises a glucose sensor, and wherein the first working electrode is configured to generate a first signal associated with glucose and non-glucose related electroactive compounds, the glucose and non-glucose related compounds having a first oxidation potential.

In an embodiment of the fourth aspect, the second working electrode is configured to generate a second signal associated with noise of the glucose sensor comprising signal contribution due to non-glucose related electroactive compounds with an oxidation potential that substantially overlaps with the first oxidation potential.

In an embodiment of the fourth aspect, the non-glucose related electroactive species comprises at least one species selected from the group consisting of interfering species, non-reaction-related hydrogen peroxide, and other electroactive species.

In an embodiment of the fourth aspect, the sensor further comprises electronics operably connected to the first working electrode and the second working electrode, and configured to provide the first signal and the second signal to generate glucose concentration data substantially without signal contribution due to non-glucose-related noise.

In an embodiment of the fourth aspect, the sensor further comprises a non-conductive material positioned between the first working electrode and the second working electrode.

In an embodiment of the fourth aspect, the first working electrode, the second working electrode, and the non-conductive material integrally form at least a portion of the sensor.

In an embodiment of the fourth aspect, the first working electrode and the second working electrode each integrally form a substantial portion of the sensor configured for insertion in the host.

In an embodiment of the fourth aspect, the sensor further comprises a reference electrode, wherein the first working electrode, the second working electrode, and the reference electrode each integrally form a substantial portion of the sensor configured for insertion in the host.

In an embodiment of the fourth aspect, the sensor further comprises an insulator, wherein the first working electrode, the second working electrode, and the insulator each integrally form a substantial portion of the sensor configured for insertion in the host.

In an embodiment of the fourth aspect, the sensor comprises a diffusion barrier configured to substantially block diffusion of an analyte or a co-analyte between the first working electrode and the second working electrode.

In a fifth aspect, a glucose sensor configured for insertion into a host for measuring a glucose concentration in the host is provided, the sensor comprising a first working electrode configured to generate a first signal associated with glucose and non-glucose related electroactive compounds, the glucose and non-glucose related electroactive compounds having a first oxidation potential; a second working electrode configured to generate a second signal associated with noise of the glucose sensor comprising signal contribution due to non-glucose related electroactive compounds with an oxidation potential that substantially overlaps with the first oxidation potential; and a non-conductive material located between the first working electrode and the second working electrode, wherein each of the first working electrode, the second working electrode, and the non-conductive material are configured provide at least two functions selected from the group consisting of electrical conductance, insulative property, structural support, and diffusion barrier.

In an embodiment of the fifth aspect, each of the first working electrode and the second working electrode are configured to provide electrical conductance and structural support.

In an embodiment of the fifth aspect, the sensor further comprises a reference electrode, wherein the reference electrode is configured to provide electrical conductance and structural support.

In an embodiment of the fifth aspect, the sensor further comprises a reference electrode, wherein the reference electrode is configured to provide electrical conductance and a diffusion barrier.

In an embodiment of the fifth aspect, the sensor further comprises a reference electrode, wherein the reference electrode is configured to provide a diffusion barrier and structural support.

In an embodiment of the fifth aspect, the non-conductive material is configured to provide an insulative property and structural support.

In an embodiment of the fifth aspect, the non-conductive material is configured to provide an insulative property and a diffusion barrier.

In an embodiment of the fifth aspect, the non-conductive material is configured to provide a diffusion barrier and structural support.

In a sixth aspect, an analyte sensor configured for insertion into a host for measuring an analyte in the host is provided, the sensor comprising a first working electrode disposed beneath an active enzymatic portion of a membrane; a second working electrode disposed beneath an inactive-enzymatic or non-enzymatic portion of a membrane; and an insulator located between the first working electrode and the second working electrode, wherein the sensor comprises a diffusion barrier configured to substantially block diffusion of at least one of

11

an analyte and a co-analyte between the first working electrode and the second working electrode.

In an embodiment of the sixth aspect, the diffusion barrier comprises a physical diffusion barrier configured to physically block or spatially block a substantial amount of diffusion of at least one of the analyte and the co-analyte between the first working electrode and the second working electrode.

In an embodiment of the sixth aspect, the physical diffusion barrier comprises the insulator.

In an embodiment of the sixth aspect, the physical diffusion barrier comprises the reference electrode.

In an embodiment of the sixth aspect, a dimension of the first working electrode and a dimension of the second working electrode relative to an in vivo portion of the sensor provide the physical diffusion barrier.

In an embodiment of the sixth aspect, the physical diffusion barrier comprises a membrane.

In an embodiment of the sixth aspect, the membrane is configured to block diffusion of a substantial amount of at least one of the analyte and the co-analyte between the first working electrode and the second working electrode.

In an embodiment of the sixth aspect, the diffusion barrier comprises a temporal diffusion barrier configured to block or avoid a substantial amount of diffusion or reaction of at least one of the analyte and the co-analyte between the first and second working electrodes.

In an embodiment of the sixth aspect, the sensor further comprises a potentiostat configured to bias the first working electrode and the second working electrode at substantially overlapping oxidation potentials, and wherein the temporal diffusion barrier comprises pulsed potentials of the first working electrode and the second working electrode to block or avoid a substantial amount of diffusion or reaction of at least one of the analyte and the co-analyte between the first working electrode and the second working electrode.

In an embodiment of the sixth aspect, the sensor further comprises a potentiostat configured to bias the first working electrode and the second working electrode at substantially overlapping oxidation potentials, and wherein the temporal diffusion barrier comprises oscillating bias potentials of the first working electrode and the second working electrode to block or avoid a substantial amount of diffusion or reaction of at least one of the analyte and the co-analyte between the first working electrode and the second working electrode.

In an embodiment of the sixth aspect, the analyte sensor is configured to indwell in a blood stream of the host, and wherein the diffusion barrier comprises a configuration of the first working electrode and the second working electrode that provides a flow path diffusion barrier configured to block or avoid a substantial amount of diffusion of at least one of the analyte and the co-analyte between the first working electrode and the second working electrode.

In an embodiment of the sixth aspect, the flow path diffusion barrier comprises a location of the first working electrode configured to be upstream from the second working electrode when inserted into the blood stream.

In an embodiment of the sixth aspect, the flow path diffusion barrier comprises a location of the first working electrode configured to be downstream from the second working electrode when inserted into the blood stream.

In an embodiment of the sixth aspect, the flow path diffusion barrier comprises an offset of the first working electrode relative to the second working electrode when inserted into the blood stream.

In an embodiment of the sixth aspect, the flow path diffusion barrier is configured to utilize a shear of a blood flow of

12

the host between the first working electrode and the second working electrode when inserted into the blood stream.

In an embodiment of the sixth aspect, the sensor is a glucose sensor, and wherein the diffusion barrier is configured to substantially block diffusion of at least one of glucose and hydrogen peroxide between the first working electrode and the second working electrode.

In an embodiment of the sixth aspect, the sensor further comprises at least one of a reference electrode and a counter electrode.

In an embodiment of the sixth aspect, the reference electrode or the counter electrode, together with the first working electrode, the second working electrode and the insulator, integrally form at least a portion of the sensor.

In an embodiment of the sixth aspect, the reference electrode or the counter electrode is located at a position remote from the first working electrode and the second working electrode.

In an embodiment of the sixth aspect, a surface area of at least one of the reference electrode and the counter electrode is at least six times a surface area of at least one of the first working electrode and the second working electrode.

In an embodiment of the sixth aspect, the sensor is configured for implantation into the host.

In an embodiment of the sixth aspect, the sensor is configured for subcutaneous implantation in a tissue of the host.

In an embodiment of the sixth aspect, the sensor is configured for indwelling in a blood stream of the host.

In an embodiment of the sixth aspect, sensor substantially continuously measures an analyte concentration in the host.

In an embodiment of the sixth aspect, the analyte sensor comprises a glucose sensor and wherein the first working electrode is configured to generate a first signal associated with glucose and non-glucose related electroactive compounds, the glucose and non-glucose related electroactive compounds having a first oxidation potential.

In an embodiment of the sixth aspect, the second working electrode is configured to generate a second signal associated with noise of the glucose sensor comprising signal contribution due to non-glucose related electroactive compounds with an oxidation potential that substantially overlaps with the first oxidation potential.

In an embodiment of the sixth aspect, the non-glucose related electroactive species comprise at least one species selected from the group consisting of interfering species, non-reaction-related hydrogen peroxide, and other electroactive species.

In an embodiment of the sixth aspect, the sensor further comprises electronics operably connected to the first working electrode and the second working electrode, and configured to provide the first signal and the second signal to generate glucose concentration data substantially without signal contribution due to non-glucose-related noise.

In an embodiment of the sixth aspect, the first working electrode, the second working electrode, and the insulator integrally form a substantial portion of the sensor configured for insertion in the host.

In an embodiment of the sixth aspect, the sensor further comprises a reference electrode, wherein the first working electrode, the second working electrode, and the reference electrode integrally form a substantial portion of the sensor configured for insertion in the host.

In an embodiment of the sixth aspect, each of the first working electrode, the second working electrode, and the non-conductive material are configured provide at least two

functions selected from the group consisting of electrical conductance, insulative property, structural support, and diffusion barrier.

In a seventh aspect, a glucose sensor configured for insertion into a host for measuring a glucose concentration in the host is provided, the sensor comprising a first working electrode configured to generate a first signal associated with glucose and non-glucose related electroactive compounds, the glucose and non-glucose related electroactive compounds having a first oxidation potential; a second working electrode configured to generate a second signal associated with noise of the glucose sensor comprising signal contribution due to non-glucose related electroactive compounds with an oxidation potential that substantially overlaps with the first oxidation potential; and a non-conductive material located between the first working electrode and the second working electrode, wherein the sensor comprises a diffusion barrier configured to substantially block diffusion of at least one of the analyte and the co-analyte between the first working electrode and the second working electrode.

In an embodiment of the seventh aspect, the diffusion barrier comprises a physical diffusion barrier configured to physically or spatially block a substantial amount of diffusion of at least one of the analyte and the co-analyte between the first working electrode and the second working electrode.

In an embodiment of the seventh aspect, the diffusion barrier comprises a temporal diffusion barrier configured to block or avoid a substantial amount of diffusion or reaction of at least one of the analyte and the co-analyte between the first working electrode and the second working electrode.

In an embodiment of the seventh aspect, the analyte sensor is configured to indwell in a blood stream of the host, and wherein the diffusion barrier comprises a configuration of the first working electrode and the second working electrode that provides a flow path diffusion barrier configured to block or avoid a substantial amount of diffusion of at least one of the analyte and the co-analyte between the first working electrode and the second working electrode.

In an embodiment of the seventh aspect, the sensor further comprises at least one of a reference electrode and a counter electrode.

In an embodiment of the seventh aspect, the sensor is configured for implantation into the host.

In an embodiment of the seventh aspect, the sensor substantially continuously measures an analyte concentration in the host.

In an embodiment of the seventh aspect, the sensor further comprises electronics operably connected to the first working electrode and the second working electrode, and configured to provide the first signal and the second signal to generate glucose concentration data substantially without signal contribution due to non-glucose-related noise.

In an embodiment of the seventh aspect, the first working electrode, the second working electrode, and the insulator integrally form a substantial portion of the sensor configured for insertion in the host.

In an embodiment of the seventh aspect, each of the first working electrode, the second working electrode, and the non-conductive material are configured provide at least two functions selected from the group consisting of: electrical conductance, insulative property, structural support, and diffusion barrier.

In an eighth aspect, a glucose sensor system configured for insertion into a host for measuring a glucose concentration in the host is provided, the sensor comprising a first working electrode configured to generate a first signal associated with glucose and non-glucose related electroactive compounds,

the glucose and non-glucose related electroactive compounds having a first oxidation potential; a second working electrode configured to generate a second signal associated with noise of the glucose sensor comprising signal contribution due to non-glucose related electroactive compounds with an oxidation potential that substantially overlaps with the first oxidation potential; and electronics operably connected to the first working electrode and the second working electrode and configured to process the first signal and the second signal to generate a glucose concentration substantially without signal contribution due to non-glucose related noise.

In an embodiment of the eighth aspect, the non-glucose related noise is substantially non-constant.

In an embodiment of the eighth aspect, the electronics are configured to substantially remove noise caused by mechanical factors.

In an embodiment of the eighth aspect, the mechanical factors are selected from the group consisting of macro-motion of the sensor, micro-motion of the sensor, pressure on the sensor, and stress on the sensor.

In an embodiment of the eighth aspect, the first working electrode and the second working electrode are configured to substantially equally measure noise due to mechanical factors, whereby noise caused by mechanical factors is substantially removed.

In an embodiment of the eighth aspect, the electronics are configured to substantially remove noise caused by at least one of biochemical factors and chemical factors.

In an embodiment of the eighth aspect, the at least one of the biochemical factors and the chemical factors are substantially non-constant and are selected from the group consisting of compounds with electroactive acidic groups, compounds with electroactive amine groups, compounds with electroactive sulfhydryl groups, urea, lactic acid, phosphates, citrates, peroxides, amino acids, amino acid precursors, amino acid break-down products, nitric oxide, nitric oxide-donors, nitric oxide-precursors, electroactive species produced during cell metabolism, electroactive species produced during wound healing, and electroactive species that arise during body pH changes.

In an embodiment of the eighth aspect, the first working electrode and the second working electrode are configured to substantially equally measure noise due to at least one of the biochemical factors and the chemical factors whereby noise caused by at least one of the biochemical factors and the chemical factors can be substantially removed.

In an embodiment of the eighth aspect, the electronics are configured to subtract the second signal from the first signal, whereby a differential signal comprising at least one glucose sensor data point is determined.

In an embodiment of the eighth aspect, the electronics comprise a differential amplifier configured to electronically subtract the second signal from the first signal.

In an embodiment of the eighth aspect, the electronics comprise at least one of hardware and software configured to digitally subtract the second signal from the first signal.

In an embodiment of the eighth aspect, the first working electrode and the second working electrode are configured to be impacted by mechanical factors and biochemical factors to substantially the same extent.

In an embodiment of the eighth aspect, the first working electrode and the second working electrode have a configuration selected from the group consisting of coaxial, helically twisted, bundled, symmetrical, and combinations thereof.

In an embodiment of the eighth aspect, the sensor further comprises a non-conductive material positioned between the first working electrode and the second working electrode.

In an embodiment of the eighth aspect, each of the first working electrode, the second working electrode, and the non-conductive material are configured provide at least two functions selected from the group consisting of electrical conductance, insulative property, structural support, and diffusion barrier.

In an embodiment of the eighth aspect, the sensor comprises a diffusion barrier configured to substantially block diffusion of at least one of the analyte and the co-analyte between the first working electrode and the second working electrode.

In an embodiment of the eighth aspect, the first working electrode, the second working electrode, and the insulator integrally form a substantial portion of the sensor configured for insertion in the host.

In an embodiment of the eighth aspect, the sensor further comprises a reference electrode, wherein the first working electrode, the second working electrode, and the reference electrode integrally form a substantial portion of the sensor configured for insertion in the host.

In a ninth aspect, an analyte sensor configured for insertion into a host for measuring an analyte in the host is provided, the sensor comprising a first working electrode disposed beneath an active enzymatic portion of a membrane; a second working electrode disposed beneath an inactive-enzymatic or non-enzymatic portion of a membrane, wherein the first working electrode and the second working electrode are configured to substantially equally measure non-analyte related noise, whereby the noise is substantially removed; and electronics operably connected to the first working electrode and the second working electrode, and configured to process the first signal and the second signal to generate sensor analyte data substantially without signal contribution due to non-analyte related noise.

In an embodiment of the ninth aspect, the non-glucose related noise is substantially non-constant.

In an embodiment of the ninth aspect, the non-analyte related noise is due to a factor selected from the group consisting of mechanical factors, biochemical factors, chemical factors, and combinations thereof.

In an embodiment of the ninth aspect, the electronics are configured to substantially remove noise caused by mechanical factors.

In an embodiment of the ninth aspect, the mechanical factors are selected from the group consisting of macro-motion of the sensor, micro-motion of the sensor, pressure on the sensor, and stress on the sensor.

In an embodiment of the ninth aspect, the first working electrode and the second working electrode are configured to substantially equally measure noise due to mechanical factors, whereby noise caused by mechanical factors can be substantially removed.

In an embodiment of the ninth aspect, the electronics are configured to substantially remove noise caused by at least one of biochemical factors and chemical factors.

In an embodiment of the ninth aspect, at least one of the biochemical factors and the chemical factors are substantially non-constant and are selected from the group consisting of compounds with electroactive acidic groups, compounds with electroactive amine groups, compounds with electroactive sulfhydryl groups, urea, lactic acid, phosphates, citrates, peroxides, amino acids, amino acid precursors, amino acid break-down products, nitric oxide, nitric oxide-donors, nitric oxide-precursors, electroactive species produced during cell metabolism, electroactive species produced during wound healing, and electroactive species that arise during body pH changes.

In an embodiment of the ninth aspect, the first working electrode and the second working electrode are configured to substantially equally measure noise due to at least one of biochemical factors and chemical factors, whereby noise caused by at least one of the biochemical factors and the chemical factors is substantially removed.

In an embodiment of the ninth aspect, the sensor further comprises at least one of a reference electrode and a counter electrode.

In an embodiment of the ninth aspect, at least one of the reference electrode and the counter electrode, together with the first working electrode and the second working electrode, integrally form at least a portion of the sensor.

In an embodiment of the ninth aspect, at least one of the reference electrode and the counter electrode is located at a position remote from the first working electrode and the second working electrode.

In an embodiment of the ninth aspect, a surface area of at least one of the reference electrode and the counter electrode is at least six times a surface area of at least one of the first working electrode and the second working electrode.

In an embodiment of the ninth aspect, the sensor is configured for implantation into the host.

In an embodiment of the ninth aspect, the sensor is configured for subcutaneous implantation in a tissue of the host.

In an embodiment of the ninth aspect, the sensor is configured for indwelling in a blood stream of the host.

In an embodiment of the ninth aspect, the sensor substantially continuously measures an analyte concentration of the host.

In an embodiment of the ninth aspect, the analyte sensor comprises a glucose sensor, and wherein the first working electrode is configured to generate a first signal associated with glucose and non-glucose related electroactive compounds, the glucose and the non-glucose related electroactive compounds having a first oxidation potential.

In an embodiment of the ninth aspect, the second working electrode is configured to generate a second signal associated with noise of the glucose sensor comprising signal contribution due to non-glucose related electroactive compounds with an oxidation potential that substantially overlaps with the first oxidation potential.

In an embodiment of the ninth aspect, the non-glucose related electroactive species comprises at least one species selected from the group consisting of interfering species, non-reaction-related hydrogen peroxide, and other electroactive species.

In an embodiment of the ninth aspect, the sensor further comprises a non-conductive material positioned between the first working electrode and the second working electrode.

In an embodiment of the ninth aspect, each of the first working electrode, the second working electrode, and the non-conductive material are configured provide at least two functions selected from the group consisting of: electrical conductance, insulative property, structural support, and diffusion barrier.

In an embodiment of the ninth aspect, the sensor comprises a diffusion barrier configured to substantially block diffusion of at least one of an analyte and a co-analyte between the first working electrode and the second working electrode.

In an embodiment of the ninth aspect, the first working electrode, the second working electrode, and the insulator integrally form a substantial portion of the sensor configured for insertion in the host.

In an embodiment of the ninth aspect, the sensor further comprises a reference electrode, wherein the first working electrode, the second working electrode, and the reference

electrode integrally form a substantial portion of the sensor configured for insertion in the host.

In an embodiment of the ninth aspect, the first working electrode and the second working electrode are configured to be impacted by mechanical factors and biochemical factors to substantially the same extent.

In an embodiment of the ninth aspect, the first working electrode and the second working electrode have a configuration selected from the group consisting of coaxial, helically twisted, bundled, symmetrical, and combination thereof.

BRIEF DESCRIPTION OF THE DRAWINGS

FIG. 1A is a perspective view of a continuous analyte sensor, including an implantable body with a membrane system disposed thereon.

FIG. 1B is an expanded view of an alternative embodiment of a continuous analyte sensor, illustrating the in vivo portion of the sensor.

FIG. 2A is a schematic view of a membrane system in one embodiment, configured for deposition over the electroactive surfaces of the analyte sensor of FIG. 1A.

FIG. 2B is a schematic view of a membrane system in an alternative embodiment, configured for deposition over the electroactive surfaces of the analyte sensor of FIG. 1B.

FIG. 3A which is a cross-sectional exploded schematic view of a sensing region of a continuous glucose sensor in one embodiment wherein an active enzyme of an enzyme domain is positioned only over the glucose-measuring working electrode.

FIG. 3B is a cross-sectional exploded schematic view of a sensing region of a continuous glucose sensor in another embodiment, wherein an active portion of the enzyme within the enzyme domain positioned over the auxiliary working electrode has been deactivated.

FIG. 4 is a block diagram that illustrates continuous glucose sensor electronics in one embodiment.

FIG. 5 is a drawing of a receiver for the continuous glucose sensor in one embodiment.

FIG. 6 is a block diagram of the receiver electronics in one embodiment.

FIG. 7A1 is a schematic of one embodiment of a coaxial sensor having axis A-A.

FIG. 7A2 is a cross-section of the sensor shown in FIG. 7A1.

FIG. 7B is a schematic of another embodiment of a coaxial sensor.

FIG. 7C is a schematic of one embodiment of a sensor having three electrodes.

FIG. 7D is a schematic of one embodiment of a sensor having seven electrodes.

FIG. 7E is a schematic of one embodiment of a sensor having two pairs of electrodes and insulating material.

FIG. 7F is a schematic of one embodiment of a sensor having two electrodes separated by a reference electrode or insulating material.

FIG. 7G is a schematic of another embodiment of a sensor having two electrodes separated by a reference electrode or insulating material.

FIG. 7H is a schematic of another embodiment of a sensor having two electrodes separated by a reference electrode or insulating material.

FIG. 7I is a schematic of another embodiment of a sensor having two electrodes separated by reference electrodes or insulating material.

FIG. 7J is a schematic of one embodiment of a sensor having two electrodes separated by a substantially X-shaped reference electrode or insulating material.

FIG. 7K is a schematic of one embodiment of a sensor having two electrodes coated with insulating material, wherein one electrode has a space for enzyme, the electrodes are separated by a distance D and covered by a membrane system.

FIG. 7L is a schematic of one embodiment of a sensor having two electrodes embedded in an insulating material.

FIG. 7M is a schematic of one embodiment of a sensor having multiple working electrodes and multiple reference electrodes.

FIG. 7N is a schematic of one step of the manufacture of one embodiment of a sensor having, embedded in insulating material, two working electrodes separated by a reference electrode, wherein the sensor is trimmed to a final size and/or shape.

FIG. 8A is a schematic on one embodiment of a sensor having two working electrodes coated with insulating material, and separated by a reference electrode.

FIG. 8B is a schematic of the second end (e.g., ex vivo terminus) of the sensor of FIG. 8A having a stepped connection to the sensor electronics.

FIG. 9A is a schematic of one embodiment of a sensor having two working electrodes and a substantially cylindrical reference electrode there around, wherein the second end (the end connected to the sensor electronics) of the sensor is stepped.

FIG. 9B is a schematic of one embodiment of a sensor having two working electrodes and an electrode coiled there around, wherein the second end (the end connected to the sensor electronics) of the sensor is stepped.

FIG. 10 is a schematic illustrating metabolism of glucose by Glucose Oxidase (GOx) and one embodiment of a diffusion barrier D that substantially prevents the diffusion of H₂O₂ produced on a first side of the sensor (e.g., from a first electrode that has active GOx) to a second side of the sensor (e.g., to the second electrode that lacks active GOx).

FIG. 11 is a schematic illustrating one embodiment of a triple helical coaxial sensor having a stepped second terminus for engaging the sensor electronics.

FIG. 12 is a graph that illustrates in vitro signal (raw counts) detected from a sensor having three bundled wire electrodes with staggered working electrodes. Plus GOx (thick line)=the electrode with active GOx. No GOx (thin line)=the electrode with inactive or no GOx.

FIG. 13 is a graph that illustrates in vitro signal (counts) detected from a sensor having the configuration of the embodiment shown in FIG. 7J (silver/silver chloride X-wire reference electrode separating two platinum wire working electrodes). Plus GOx (thick line)=the electrode with active GOx. No GOx (thin line)=the electrode with inactive or no GOx.

FIG. 14 is a graph that illustrates an in vitro signal (counts) detected from a dual-electrode sensor with a bundled configuration similar to that shown in FIG. 7C (two platinum working electrodes and one silver/silver chloride reference electrode, not twisted).

FIG. 15 is a graph that illustrates an in vivo signal (counts) detected from a dual-electrode sensor with a bundled configuration similar to that shown in FIG. 7C (two platinum working electrodes, not twisted, and one remotely disposed silver/silver chloride reference electrode).

DETAILED DESCRIPTION OF THE PREFERRED EMBODIMENT

The following description and examples illustrate some exemplary embodiments of the disclosed invention in detail.

Those of skill in the art will recognize that there are numerous variations and modifications of this invention that are encompassed by its scope. Accordingly, the description of a certain exemplary embodiment should not be deemed to limit the scope of the present invention.

Definitions

In order to facilitate an understanding of the disclosed invention, a number of terms are defined below.

The term "analyte" as used herein is a broad term, and is to be given its ordinary and customary meaning to a person of ordinary skill in the art (and it is not to be limited to a special or customized meaning), and refers without limitation to a substance or chemical constituent in a biological fluid (for example, blood, interstitial fluid, cerebral spinal fluid, lymph fluid or urine) that can be analyzed. Analytes may include naturally occurring substances, artificial substances, metabolites, and/or reaction products. In some embodiments, the analyte for measurement by the sensor heads, devices, and methods disclosed herein is glucose. However, other analytes are contemplated as well, including but not limited to acarboxyprothrombin; acylcarnitine; adenine phosphoribosyl transferase; adenosine deaminase; albumin; alpha-fetoprotein; amino acid profiles (arginine (Krebs cycle), histidine/urocanic acid, homocysteine, phenylalanine/tyrosine, tryptophan); androstenedione; antipyrine; arabinitol enantiomers; arginase; benzoylecgonine (cocaine); biotinidase; biotin; c-reactive protein; carnitine; carnosinase; CD4; ceruloplasmin; chenodeoxycholic acid; chloroquine; cholesterol; cholinesterase; conjugated 1- β -hydroxy-cholic acid; cortisol; creatine kinase; creatine kinase MM isoenzyme; cyclosporin A; d-penicillamine; de-ethylchloroquine; dehydroepiandrosterone sulfate; DNA (acetylator polymorphism, alcohol dehydrogenase, alpha 1-antitrypsin, cystic fibrosis, Duchenne/Becker muscular dystrophy, analyte-6-phosphate dehydrogenase, hemoglobinopathies, A,S,C,E, D-Punjab, beta-thalassemia, hepatitis B virus, HCMV, HIV-1, HTLV-1, Leber hereditary optic neuropathy, MCAD, RNA, PKU, Plasmodium vivax, sexual differentiation, 21-deoxycortisol); desbutylhalofantrine; dihydropteridine reductase; diphtheria/tetanus antitoxin; erythrocyte arginase; erythrocyte protoporphyrin; esterase D; fatty acids/acylglycines; free β -human chorionic gonadotropin; free erythrocyte porphyrin; free thyroxine (FT4); free tri-iodothyronine (FT3); fumarylacetoacetase; galactose/gal-1-phosphate; galactose-1-phosphate uridylyltransferase; gentamicin; analyte-6-phosphate dehydrogenase; glutathione; glutathione peroxidase; glycocholic acid; glycosylated hemoglobin; halofantrine; hemoglobin variants; hexosaminidase A; human erythrocyte carbonic anhydrase I; 17 alpha-hydroxyprogesterone; hypoxanthine phosphoribosyl transferase; immunoreactive trypsin; lactate; lead; lipoproteins ((a), B/A-1, β); lysozyme; mefloquine; netilmicin; phenobarbitone; phenytoin; phytanic/pristanic acid; progesterone; prolactin; prolidase; purine nucleoside phosphorylase; quinine; reverse tri-iodothyronine (rT3); selenium; serum pancreatic lipase; sissomicin; somatomedin C; specific antibodies (adenovirus, anti-nuclear antibody, anti-zeta antibody, arbovirus, Aujeszky's disease virus, dengue virus, Dracunculus medinensis, Echinococcus granulosus, Entamoeba histolytica, enterovirus, Giardia duodenalis, Helicobacter pylori, hepatitis B virus, herpes virus, HIV-1, IgE (atopic disease), influenza virus, Leishmania donovani, leptospira, measles/mumps/rubella, Mycobacterium leprae, Mycoplasma pneumoniae, Myoglobin, Onchocerca volvulus, parainfluenza virus, Plasmodium falciparum, poliovirus, Pseudomonas aeruginosa, respiratory syncytial virus, rickettsia (scrub typhus), Schistosoma mansoni, Toxoplasma gondii, Treponema pallidum, Trypanosoma cruzi/rangeli,

vesicular stomatitis virus, Wuchereria bancrofti, yellow fever virus); specific antigens (hepatitis B virus, HIV-1); succinylacetone; sulfadoxine; theophylline; thyrotropin (TSH); thyroxine (T4); thyroxine-binding globulin; trace elements; transferrin; UDP-galactose-4-epimerase; urea; uroporphyrinogen I synthase; vitamin A; white blood cells; and zinc protoporphyrin. Salts, sugar, protein, fat, vitamins, and hormones naturally occurring in blood or interstitial fluids may also constitute analytes in certain embodiments. The analyte may be naturally present in the biological fluid, for example, a metabolic product, a hormone, an antigen, an antibody, and the like. Alternatively, the analyte may be introduced into the body, for example, a contrast agent for imaging, a radioisotope, a chemical agent, a fluorocarbon-based synthetic blood, or a drug or pharmaceutical composition, including but not limited to insulin; ethanol; cannabis (marijuana, tetrahydrocannabinol, hashish); inhalants (nitrous oxide, amyl nitrite, butyl nitrite, chlorohydrocarbons, hydrocarbons); cocaine (crack cocaine); stimulants (amphetamines, methamphetamines, Ritalin, Cylert, Preludin, Didrex, PreState, Voranil, Sandrex, Plegine); depressants (barbituates, methaqualone, tranquilizers such as Valium, Librium, Miltown, Serax, Equanil, Tranxene); hallucinogens (phencyclidine, lysergic acid, mescaline, peyote, psilocybin); narcotics (heroin, codeine, morphine, opium, meperidine, Percocet, Percodan, Tus-sionex, Fentanyl, Darvon, Talwin, Lomotil); designer drugs (analogs of fentanyl, meperidine, amphetamines, methamphetamines, and phencyclidine, for example, Ecstasy); anabolic steroids; and nicotine. The metabolic products of drugs and pharmaceutical compositions are also contemplated analytes. Analytes such as neurochemicals and other chemicals generated within the body may also be analyzed, such as, for example, ascorbic acid, uric acid, dopamine, noradrenaline, 3-methoxytyramine (3MT), 3,4-Dihydroxyphenylacetic acid (DOPAC), Homovanillic acid (HVA), 5-Hydroxytryptamine (5HT), and 5-Hydroxyindoleacetic acid (FHIAA).

The term "continuous glucose sensor" as used herein is a broad term, and is to be given its ordinary and customary meaning to a person of ordinary skill in the art (and it is not to be limited to a special or customized meaning), and refers without limitation to a device that continuously or continually measures glucose concentration, for example, at time intervals ranging from fractions of a second up to, for example, 1, 2, or 5 minutes, or longer. It should be understood that continuous glucose sensors can continually measure glucose concentration without requiring user initiation and/or interaction for each measurement, such as described with reference to U.S. Pat. No. 6,001,067, for example.

The phrase "continuous glucose sensing" as used herein is a broad term, and is to be given its ordinary and customary meaning to a person of ordinary skill in the art (and it is not to be limited to a special or customized meaning), and refers without limitation to the period in which monitoring of plasma glucose concentration is continuously or continually performed, for example, at time intervals ranging from fractions of a second up to, for example, 1, 2, or 5 minutes, or longer.

The term "biological sample" as used herein is a broad term, and is to be given its ordinary and customary meaning to a person of ordinary skill in the art (and it is not to be limited to a special or customized meaning), and refers without limitation to a sample of a host body, for example, blood, interstitial fluid, spinal fluid, saliva, urine, tears, sweat, tissue, and the like.

The term "host" as used herein is a broad term, and is to be given its ordinary and customary meaning to a person of ordinary skill in the art (and it is not to be limited to a special

or customized meaning), and refers without limitation to plants or animals, for example humans.

The term “biointerface membrane” as used herein is a broad term, and is to be given its ordinary and customary meaning to a person of ordinary skill in the art (and it is not to be limited to a special or customized meaning), and refers without limitation to a permeable or semi-permeable membrane that can include one or more domains and is typically constructed of materials of a few microns thickness or more, which can be placed over the sensing region to keep host cells (for example, macrophages) from gaining proximity to, and thereby damaging the membrane system or forming a barrier cell layer and interfering with the transport of glucose across the tissue-device interface.

The term “membrane system” as used herein is a broad term, and is to be given its ordinary and customary meaning to a person of ordinary skill in the art (and it is not to be limited to a special or customized meaning), and refers without limitation to a permeable or semi-permeable membrane that can be comprised of one or more domains and is typically constructed of materials of a few microns thickness or more, which may be permeable to oxygen and are optionally permeable to glucose. In one example, the membrane system comprises an immobilized glucose oxidase enzyme, which enables an electrochemical reaction to occur to measure a concentration of glucose.

The term “domain” as used herein is a broad term, and is to be given its ordinary and customary meaning to a person of ordinary skill in the art (and it is not to be limited to a special or customized meaning), and refers without limitation to regions of a membrane that can be layers, uniform or non-uniform gradients (for example, anisotropic), functional aspects of a material, or provided as portions of the membrane.

The term “copolymer” as used herein is a broad term, and is to be given its ordinary and customary meaning to a person of ordinary skill in the art (and it is not to be limited to a special or customized meaning), and refers without limitation to polymers having two or more different repeat units and includes copolymers, terpolymers, tetrapolymers, and the like.

The term “sensing region” as used herein is a broad term, and is to be given its ordinary and customary meaning to a person of ordinary skill in the art (and it is not to be limited to a special or customized meaning), and refers without limitation to the region of a monitoring device responsible for the detection of a particular analyte. In one embodiment, the sensing region generally comprises a non-conductive body, at least one electrode, a reference electrode and a optionally a counter electrode passing through and secured within the body forming an electrochemically reactive surface at one location on the body and an electronic connection at another location on the body, and a membrane system affixed to the body and covering the electrochemically reactive surface. In another embodiment, the sensing region generally comprises a non-conductive body, a working electrode (anode), a reference electrode (optionally can be remote from the sensing region), an insulator disposed therebetween, and a multi-domain membrane affixed to the body and covering the electrochemically reactive surfaces of the working and optionally reference electrodes.

The term “electrochemically reactive surface” as used herein is a broad term, and is to be given its ordinary and customary meaning to a person of ordinary skill in the art (and it is not to be limited to a special or customized meaning), and refers without limitation to the surface of an electrode where an electrochemical reaction takes place. In one embodiment,

a working electrode measures hydrogen peroxide creating a measurable electronic current.

The term “electrochemical cell” as used herein is a broad term, and is to be given its ordinary and customary meaning to a person of ordinary skill in the art (and it is not to be limited to a special or customized meaning), and refers without limitation to a device in which chemical energy is converted to electrical energy. Such a cell typically consists of two or more electrodes held apart from each other and in contact with an electrolyte solution. Connection of the electrodes to a source of direct electric current renders one of them negatively charged and the other positively charged. Positive ions in the electrolyte migrate to the negative electrode (cathode) and there combine with one or more electrons, losing part or all of their charge and becoming new ions having lower charge or neutral atoms or molecules; at the same time, negative ions migrate to the positive electrode (anode) and transfer one or more electrons to it, also becoming new ions or neutral particles. The overall effect of the two processes is the transfer of electrons from the negative ions to the positive ions, a chemical reaction.

The term “electrode” as used herein is a broad term, and is to be given its ordinary and customary meaning to a person of ordinary skill in the art (and it is not to be limited to a special or customized meaning), and refers without limitation to a conductor through which electricity enters or leaves something such as a battery or a piece of electrical equipment. In one embodiment, the electrodes are the metallic portions of a sensor (e.g., electrochemically reactive surfaces) that are exposed to the extracellular milieu, for detecting the analyte. In some embodiments, the term electrode includes the conductive wires or traces that electrically connect the electrochemically reactive surface to connectors (for connecting the sensor to electronics) or to the electronics.

The term “enzyme” as used herein is a broad term, and is to be given its ordinary and customary meaning to a person of ordinary skill in the art (and it is not to be limited to a special or customized meaning), and refers without limitation to a protein or protein-based molecule that speeds up a chemical reaction occurring in a living thing. Enzymes may act as catalysts for a single reaction, converting a reactant (also called an analyte herein) into a specific product. In one exemplary embodiment of a glucose oxidase-based glucose sensor, an enzyme, glucose oxidase (GOX) is provided to react with glucose (the analyte) and oxygen to form hydrogen peroxide.

The term “co-analyte” as used herein is a broad term, and is to be given its ordinary and customary meaning to a person of ordinary skill in the art (and it is not to be limited to a special or customized meaning), and refers without limitation to a molecule required in an enzymatic reaction to react with the analyte and the enzyme to form the specific product being measured. In one exemplary embodiment of a glucose sensor, an enzyme, glucose oxidase (GOX) is provided to react with glucose and oxygen (the co-analyte) to form hydrogen peroxide.

The term “constant analyte” as used herein is a broad term, and is to be given its ordinary and customary meaning to a person of ordinary skill in the art (and it is not to be limited to a special or customized meaning), and refers without limitation to an analyte that remains relatively constant over a time period, for example over an hour to a day as compared to other variable analytes. For example, in a person with diabetes, oxygen and urea may be relatively constant analytes in particular tissue compartments relative to glucose, which is known to oscillate between about 40 and 400 mg/dL during a 24-hour cycle. Although analytes such as oxygen and urea are known to oscillate to a lesser degree, for example due to

physiological processes in a host, they are substantially constant, relative to glucose, and can be digitally filtered, for example low pass filtered, to minimize or eliminate any relatively low amplitude oscillations. Constant analytes other than oxygen and urea are also contemplated.

The term "proximal" as used herein is a broad term, and is to be given its ordinary and customary meaning to a person of ordinary skill in the art (and it is not to be limited to a special or customized meaning), and refers without limitation to near to a point of reference such as an origin or a point of attachment. For example, in some embodiments of a membrane system that covers an electrochemically reactive surface, the electrolyte domain is located more proximal to the electrochemically reactive surface than the resistance domain.

The term "distal" as used herein is a broad term, and is to be given its ordinary and customary meaning to a person of ordinary skill in the art (and it is not to be limited to a special or customized meaning), and refers without limitation to spaced relatively far from a point of reference, such as an origin or a point of attachment. For example, in some embodiments of a membrane system that covers an electrochemically reactive surface, a resistance domain is located more distal to the electrochemically reactive surfaces than the electrolyte domain.

The term "substantially" as used herein is a broad term, and is to be given its ordinary and customary meaning to a person of ordinary skill in the art (and it is not to be limited to a special or customized meaning), and refers without limitation to a sufficient amount that provides a desired function. For example, the interference domain of the preferred embodiments is configured to resist a sufficient amount of interfering species such that tracking of glucose levels can be achieved, which may include an amount greater than 50 percent, an amount greater than 60 percent, an amount greater than 70 percent, an amount greater than 80 percent, or an amount greater than 90 percent of interfering species.

The term "computer" as used herein is a broad term, and is to be given its ordinary and customary meaning to a person of ordinary skill in the art (and it is not to be limited to a special or customized meaning), and refers without limitation to machine that can be programmed to manipulate data.

The term "modem" as used herein is a broad term, and is to be given its ordinary and customary meaning to a person of ordinary skill in the art (and it is not to be limited to a special or customized meaning), and refers without limitation to an electronic device for converting between serial data from a computer and an audio signal suitable for transmission over a telecommunications connection to another modem.

The terms "processor module" and "microprocessor" as used herein are broad terms, and are to be given their ordinary and customary meaning to a person of ordinary skill in the art (and they are not to be limited to a special or customized meaning), and refer without limitation to a computer system, state machine, processor, or the like designed to perform arithmetic and logic operations using logic circuitry that responds to and processes the basic instructions that drive a computer.

The term "ROM" as used herein is a broad term, and is to be given its ordinary and customary meaning to a person of ordinary skill in the art (and it is not to be limited to a special or customized meaning), and refers without limitation to read-only memory, which is a type of data storage device manufactured with fixed contents. ROM is broad enough to include EEPROM, for example, which is electrically erasable programmable read-only memory (ROM).

The term "RAM" as used herein is a broad term, and is to be given its ordinary and customary meaning to a person of

ordinary skill in the art (and it is not to be limited to a special or customized meaning), and refers without limitation to a data storage device for which the order of access to different locations does not affect the speed of access. RAM is broad enough to include SRAM, for example, which is static random access memory that retains data bits in its memory as long as power is being supplied.

The term "A/D Converter" as used herein is a broad term, and is to be given its ordinary and customary meaning to a person of ordinary skill in the art (and it is not to be limited to a special or customized meaning), and refers without limitation to hardware and/or software that converts analog electrical signals into corresponding digital signals.

The term "RF transceiver" as used herein is a broad term, and is to be given its ordinary and customary meaning to a person of ordinary skill in the art (and it is not to be limited to a special or customized meaning), and refers without limitation to a radio frequency transmitter and/or receiver for transmitting and/or receiving signals.

The terms "raw data stream" and "data stream" as used herein are broad terms, and are to be given their ordinary and customary meaning to a person of ordinary skill in the art (and they are not to be limited to a special or customized meaning), and refer without limitation to an analog or digital signal directly related to the analyte concentration measured by the analyte sensor. In one example, the raw data stream is digital data in "counts" converted by an A/D converter from an analog signal (for example, voltage or amps) representative of an analyte concentration. The terms broadly encompass a plurality of time spaced data points from a substantially continuous analyte sensor, which comprises individual measurements taken at time intervals ranging from fractions of a second up to, for example, 1, 2, or 5 minutes or longer. In some embodiments, raw data includes one or more values (e.g., digital value) representative of the current flow integrated over time (e.g., integrated value), for example, using a charge counting device, or the like.

The term "counts" as used herein is a broad term, and is to be given its ordinary and customary meaning to a person of ordinary skill in the art (and it is not to be limited to a special or customized meaning), and refers without limitation to a unit of measurement of a digital signal. In one example, a raw data stream measured in counts is directly related to a voltage (for example, converted by an A/D converter), which is directly related to current from a working electrode.

The term "electronic circuitry" as used herein is a broad term, and is to be given its ordinary and customary meaning to a person of ordinary skill in the art (and it is not to be limited to a special or customized meaning), and refers without limitation to the components (for example, hardware and/or software) of a device configured to process data. In the case of an analyte sensor, the data includes biological information obtained by a sensor regarding the concentration of the analyte in a biological fluid. U.S. Pat. Nos. 4,757,022, 5,497,772 and 4,787,398, which are hereby incorporated by reference in their entirety, describe suitable electronic circuits that can be utilized with devices of certain embodiments.

The term "potentiostat" as used herein is a broad term, and is to be given its ordinary and customary meaning to a person of ordinary skill in the art (and it is not to be limited to a special or customized meaning), and refers without limitation to an electrical system that applies a potential between the working and reference electrodes of a two- or three-electrode cell at a preset value and measures the current flow through the working electrode. Typically, the potentiostat forces whatever current is necessary to flow between the working and reference or counter electrodes to keep the desired poten-

tial, as long as the needed cell voltage and current do not exceed the compliance limits of the potentiostat.

The terms “operably connected” and “operably linked” as used herein are broad terms, and are to be given their ordinary and customary meaning to a person of ordinary skill in the art (and they are not to be limited to a special or customized meaning), and refer without limitation to one or more components being linked to another component(s) in a manner that allows transmission of signals between the components. For example, one or more electrodes can be used to detect the amount of glucose in a sample and convert that information into a signal; the signal can then be transmitted to an electronic circuit. In this case, the electrode is “operably linked” to the electronic circuit. These terms are broad enough to include wired and wireless connectivity.

The term “smoothing” and “filtering” as used herein are broad terms, and are to be given their ordinary and customary meaning to a person of ordinary skill in the art (and they are not to be limited to a special or customized meaning), and refer without limitation to modification of a set of data to make it smoother and more continuous and remove or diminish outlying points, for example, by performing a moving average of the raw data stream.

The term “algorithm” as used herein is a broad term, and is to be given its ordinary and customary meaning to a person of ordinary skill in the art (and it is not to be limited to a special or customized meaning), and refers without limitation to the computational processes (for example, programs) involved in transforming information from one state to another, for example using computer processing.

The term “regression” as used herein is a broad term, and is to be given its ordinary and customary meaning to a person of ordinary skill in the art (and it is not to be limited to a special or customized meaning), and refers without limitation to finding a line in which a set of data has a minimal measurement (for example, deviation) from that line. Regression can be linear, non-linear, first order, second order, and so forth. One example of regression is least squares regression.

The term “pulsed amperometric detection” as used herein is a broad term, and is to be given its ordinary and customary meaning to a person of ordinary skill in the art (and it is not to be limited to a special or customized meaning), and refers without limitation to an electrochemical flow cell and a controller, which applies the potentials and monitors current generated by the electrochemical reactions. The cell can include one or multiple working electrodes at different applied potentials. Multiple electrodes can be arranged so that they face the chromatographic flow independently (parallel configuration), or sequentially (series configuration).

The term “calibration” as used herein is a broad term, and is to be given its ordinary and customary meaning to a person of ordinary skill in the art (and it is not to be limited to a special or customized meaning), and refers without limitation to the relationship and/or the process of determining the relationship between the sensor data and corresponding reference data, which may be used to convert sensor data into meaningful values substantially equivalent to the reference. In some embodiments, namely in continuous analyte sensors, calibration may be updated or recalibrated over time if changes in the relationship between the sensor and reference data occur, for example due to changes in sensitivity, baseline, transport, metabolism, or the like.

The term “sensor analyte values” and “sensor data” as used herein are broad terms, and are to be given their ordinary and customary meaning to a person of ordinary skill in the art (and they are not to be limited to a special or customized meaning),

and refer without limitation to data received from a continuous analyte sensor, including one or more time-spaced sensor data points.

The term “reference analyte values” and “reference data” as used herein are broad terms, and are to be given their ordinary and customary meaning to a person of ordinary skill in the art (and they are not to be limited to a special or customized meaning), and refer without limitation to data from a reference analyte monitor, such as a blood glucose meter, or the like, including one or more reference data points. In some embodiments, the reference glucose values are obtained from a self-monitored blood glucose (SMBG) test (for example, from a finger or forearm blood test) or an YSI (Yellow Springs Instruments) test, for example.

The term “matched data pairs” as used herein is a broad term, and is to be given its ordinary and customary meaning to a person of ordinary skill in the art (and it is not to be limited to a special or customized meaning), and refers without limitation to reference data (for example, one or more reference analyte data points) matched with substantially time corresponding sensor data (for example, one or more sensor data points).

The terms “interferants” and “interfering species” as used herein are broad terms, and are to be given their ordinary and customary meaning to a person of ordinary skill in the art (and they are not to be limited to a special or customized meaning), and refer without limitation to effects and/or species that interfere with the measurement of an analyte of interest in a sensor to produce a signal that does not accurately represent the analyte measurement. In one example of an electrochemical sensor, interfering species are compounds with an oxidation potential that overlaps with the analyte to be measured, producing a false positive signal. In another example of an electrochemical sensor, interfering species are substantially non-constant compounds (e.g., the concentration of an interfering species fluctuates over time). Interfering species include but are not limited to compounds with electroactive acidic, amine or sulfhydryl groups, urea, lactic acid, phosphates, citrates, peroxides, amino acids, amino acid precursors or break-down products, nitric oxide (NO), NO-donors, NO-precursors, acetaminophen, ascorbic acid, bilirubin, cholesterol, creatinine, dopamine, ephedrine, ibuprofen, L-dopa, methyl dopa, salicylate, tetracycline, tolazamide, tolbutamide, triglycerides, and uric acid electroactive species produced during cell metabolism and/or wound healing, electroactive species that arise during body pH changes and the like.

The term “bifunctional” as used herein is a broad term, and is to be given its ordinary and customary meaning to a person of ordinary skill in the art (and it is not to be limited to a special or customized meaning), and refers without limitation to having or serving two functions. For example, in a needle-type analyte sensor, a metal wire is bifunctional because it provides structural support and acts as an electrical conductor.

The term “function” as used herein is a broad term, and is to be given its ordinary and customary meaning to a person of ordinary skill in the art (and it is not to be limited to a special or customized meaning), and refers without limitation to an action or use for which something is suited or designed.

The term “electrical conductor” as used herein is a broad term, and is to be given its ordinary and customary meaning to a person of ordinary skill in the art (and is not to be limited to a special or customized meaning) and refers without limitation to materials that contain movable charges of electricity. When an electric potential difference is impressed across separate points on a conductor, the mobile charges within the

conductor are forced to move, and an electric current between those points appears in accordance with Ohm's law.

Accordingly, the term "electrical conductance" as used herein is a broad term, and is to be given its ordinary and customary meaning to a person of ordinary skill in the art (and is not to be limited to a special or customized meaning) and refers without limitation to the propensity of a material to behave as an electrical conductor. In some embodiments, the term refers to a sufficient amount of electrical conductance (e.g., material property) to provide a necessary function (electrical conduction).

The terms "insulative properties," "electrical insulator" and "insulator" as used herein are broad terms, and are to be given their ordinary and customary meaning to a person of ordinary skill in the art (and is not to be limited to a special or customized meaning) and refers without limitation to the tendency of materials that lack mobile charges to prevent movement of electrical charges between two points. In one exemplary embodiment, an electrically insulative material may be placed between two electrically conductive materials, to prevent movement of electricity between the two electrically conductive materials. In some embodiments, the terms refer to a sufficient amount of insulative property (e.g., of a material) to provide a necessary function (electrical insulation). The terms "insulator" and "non-conductive material" can be used interchangeably herein.

The term "structural support" as used herein is a broad term, and is to be given its ordinary and customary meaning to a person of ordinary skill in the art (and is not to be limited to a special or customized meaning) and refers without limitation to the tendency of a material to keep the sensor's structure stable or in place. For example, structural support can include "weight bearing" as well as the tendency to hold the parts or components of a whole structure together. A variety of materials can provide "structural support" to the sensor.

The term "diffusion barrier" as used herein is a broad term, and is to be given its ordinary and customary meaning to a person of ordinary skill in the art (and is not to be limited to a special or customized meaning) and refers without limitation to something that obstructs the random movement of compounds, species, atoms, molecules, or ions from one site in a medium to another. In some embodiments, a diffusion barrier is structural, such as a wall that separates two working electrodes and substantially prevents diffusion of a species from one electrode to the other. In some embodiments, a diffusion barrier is spatial, such as separating working electrodes by a distance sufficiently large enough to substantially prevent a species at a first electrode from affecting a second electrode. In other embodiments, a diffusion barrier can be temporal, such as by turning the first and second working electrodes on and off, such that a reaction at a first electrode will not substantially affect the function of the second electrode.

The terms "integral," "integrally," "integrally formed," "integrally incorporated," "unitary" and "composite" as used herein are broad terms, and are to be given their ordinary and customary meaning to a person of ordinary skill in the art (and they are not to be limited to a special or customized meaning), and refer without limitation to the condition of being composed of essential parts or elements that together make a whole. The parts are essential for completeness of the whole. In one exemplary embodiment, at least a portion (e.g., the in vivo portion) of the sensor is formed from at least one platinum wire at least partially covered with an insulative coating, which is at least partially helically wound with at least one additional wire, the exposed electroactive portions of which are covered by a membrane system (see description of FIG.

1B or 9B); in this exemplary embodiment, each element of the sensor is formed as an integral part of the sensor (e.g., both functionally and structurally).

The term "coaxial" as used herein is a broad term, and is to be given its ordinary and customary meaning to a person of ordinary skill in the art (and it is not to be limited to a special or customized meaning), and refers without limitation to having a common axis, having coincident axes or mounted on concentric shafts.

The term "twisted" as used herein is a broad term, and is to be given its ordinary and customary meaning to a person of ordinary skill in the art (and it is not to be limited to a special or customized meaning), and refers without limitation to united by having one part or end turned in the opposite direction to the other, such as, but not limited to the twisted strands of fiber in a string, yarn, or cable.

The term "helix" as used herein is a broad term, and is to be given its ordinary and customary meaning to a person of ordinary skill in the art (and it is not to be limited to a special or customized meaning), and refers without limitation to a spiral or coil, or something in the form of a spiral or coil (e.g. a corkscrew or a coiled spring). In one example, a helix is a mathematical curve that lies on a cylinder or cone and makes a constant angle with the straight lines lying in the cylinder or cone. A "double helix" is a pair of parallel helices intertwined about a common axis, such as but not limited to that in the structure of DNA.

The term "in vivo portion" as used herein is a broad term, and is to be given its ordinary and customary meaning to a person of ordinary skill in the art (and it is not to be limited to a special or customized meaning), and refers without limitation to a portion of a device that is to be implanted or inserted into the host. In one exemplary embodiment, an in vivo portion of a transcutaneous sensor is a portion of the sensor that is inserted through the host's skin and resides within the host.

The terms "background," "baseline," and "noise" as used herein are broad terms, and are to be given their ordinary and customary meaning to a person of ordinary skill in the art (and is not to be limited to a special or customized meaning), and refer without limitation to a component of an analyte sensor signal that is not related to the analyte concentration. In one example of a glucose sensor, the background is composed substantially of signal contribution due to factors other than glucose (for example, interfering species, non-reaction-related hydrogen peroxide, or other electroactive species with an oxidation potential that overlaps with hydrogen peroxide). In some embodiments wherein a calibration is defined by solving for the equation $y=mx+b$, the value of b represents the background of the signal. In general, the background (noise) comprises components related to constant and non-constant factors.

The term "constant noise" and "constant background" as used herein are broad terms, and are to be given their ordinary and customary meaning to a person of ordinary skill in the art (and it is not to be limited to a special or customized meaning), and refer without limitation to the component of the background signal that remains relatively constant over time. For example, certain electroactive compounds found in the human body are relatively constant factors (e.g., baseline of the host's physiology) and do not significantly adversely affect accuracy of the calibration of the glucose concentration (e.g., they can be relatively constantly eliminated using the equation $y=mx+b$). In some circumstances, constant background noise can slowly drift over time (e.g., increases or decreases), however this drift need not adversely affect the

accuracy of a sensor, for example, because a sensor can be calibrated and re-calibrated and/or the drift measured and compensated for.

The term “non-constant noise” or non-constant background” as used herein are broad terms, and are to be given their ordinary and customary meaning to a person of ordinary skill in the art (and it is not to be limited to a special or customized meaning), and refer without limitation to a component of the background signal that is relatively non-constant, for example, transient and/or intermittent. For example, certain electroactive compounds, are relatively non-constant (e.g., intermittent interferents due to the host’s ingestion, metabolism, wound healing, and other mechanical, chemical and/or biochemical factors), which create intermittent (e.g., non-constant) “noise” on the sensor signal that can be difficult to “calibrate out” using a standard calibration equations (e.g., because the background of the signal does not remain constant).

The terms “inactive enzyme” or “inactivated enzyme” as used herein are broad terms, and are to be given their ordinary and customary meaning to a person of ordinary skill in the art (and it is not to be limited to a special or customized meaning), and refer without limitation to an enzyme (e.g., glucose oxidase, GOx) that has been rendered inactive (e.g., “killed” or “dead”) and has no enzymatic activity. Enzymes can be inactivated using a variety of techniques known in the art, such as but not limited to heating, freeze-thaw, denaturing in organic solvent, acids or bases, cross-linking, genetically changing enzymatically critical amino acids, and the like. In some embodiments, a solution containing active enzyme can be applied to the sensor, and the applied enzyme subsequently inactivated by heating or treatment with an inactivating solvent.

The term “non-enzymatic” as used herein is a broad term, and is to be given their ordinary and customary meaning to a person of ordinary skill in the art (and it is not to be limited to a special or customized meaning), and refers without limitation to a lack of enzyme activity. In some embodiments, a “non-enzymatic” membrane portion contains no enzyme; while in other embodiments, the “non-enzymatic” membrane portion contains inactive enzyme. In some embodiments, an enzyme solution containing inactive enzyme or no enzyme is applied.

The term “GOx” as used herein is a broad term, and is to be given their ordinary and customary meaning to a person of ordinary skill in the art (and it is not to be limited to a special or customized meaning), and refers without limitation to the enzyme Glucose Oxidase (e.g., GOx is an abbreviation).

The term “comprising” as used herein is synonymous with “including,” “containing,” or “characterized by,” and is inclusive or open-ended and does not exclude additional, unrecited elements or method steps.

All numbers expressing quantities of ingredients, reaction conditions, and so forth used in the specification and claims are to be understood as being modified in all instances by the term “about.” Accordingly, unless indicated to the contrary, the numerical parameters set forth in the specification and attached claims are approximations that can vary depending upon the desired properties sought to be obtained by the present invention. At the very least, and not as an attempt to limit the application of the doctrine of equivalents to the scope of the claims, each numerical parameter should be construed in light of the number of significant digits and ordinary rounding approaches.

Overview

The preferred embodiments provide a continuous analyte sensor that measures a concentration of the analyte of interest

or a substance indicative of the concentration or presence of the analyte. In some embodiments, the analyte sensor is an invasive, minimally invasive, or non-invasive device, for example a subcutaneous, transdermal, or intravascular device. In some embodiments, the analyte sensor may analyze a plurality of intermittent biological samples. The analyte sensor may use any method of analyte-measurement, including enzymatic, chemical, physical, electrochemical, spectrophotometric, polarimetric, calorimetric, radiometric, or the like.

In general, analyte sensors provide at least one working electrode and at least one reference electrode, which are configured to measure a signal associated with a concentration of the analyte in the host, such as described in more detail below, and as appreciated by one skilled in the art. The output signal is typically a raw data stream that is used to provide a useful value of the measured analyte concentration in a host to the patient or doctor, for example. However, the analyte sensors of the preferred embodiments may further measure at least one additional signal. For example, in some embodiments, the additional signal is associated with the baseline and/or sensitivity of the analyte sensor, thereby enabling monitoring of baseline and/or sensitivity changes that may occur in a continuous analyte sensor over time.

In general, continuous analyte sensors define a relationship between sensor-generated measurements (for example, current in nA or digital counts after A/D conversion) and a reference measurement (for example, mg/dL or mmol/L) that are meaningful to a user (for example, patient or doctor). In the case of an implantable enzyme-based electrochemical glucose sensor, the sensing mechanism generally depends on phenomena that are linear with glucose concentration, for example: (1) diffusion of glucose through a membrane system (for example, biointerface membrane and membrane system) situated between implantation site and the electrode surface, (2) an enzymatic reaction within the membrane system (for example, membrane system), and (3) diffusion of the H₂O₂ to the sensor. Because of this linearity, calibration of the sensor can be understood by solving an equation:

$$y=mx+b$$

where y represents the sensor signal (counts), x represents the estimated glucose concentration (mg/dL), m represents the sensor sensitivity to glucose (counts/mg/dL), and b represents the baseline signal (counts). Because both sensitivity m and baseline (background) b change over time in vivo, calibration has conventionally required at least two independent, matched data pairs (x₁, y₁; x₂, y₂) to solve for m and b and thus allow glucose estimation when only the sensor signal, y is available. Matched data pairs can be created by matching reference data (for example, one or more reference glucose data points from a blood glucose meter, or the like) with substantially time corresponding sensor data (for example, one or more glucose sensor data points) to provide one or more matched data pairs, such as described in co-pending U.S. Publication No. US-2005-0027463-A1.

Accordingly, in some embodiments, the sensing region is configured to measure changes in sensitivity of the analyte sensor over time, which can be used to trigger calibration, update calibration, avoid inaccurate calibration (for example, calibration during unstable periods), and/or trigger filtering of the sensor data. Namely, the analyte sensor is configured to measure a signal associated with a non-analyte constant in the host. Preferably, the non-analyte constant signal is measured beneath the membrane system on the sensor. In one example of a glucose sensor, a non-glucose constant that can be measured is oxygen, wherein a measured change in oxygen trans-

port is indicative of a change in the sensitivity of the glucose signal, which can be measured by switching the bias potential of the working electrode, an auxiliary oxygen-measuring electrode, an oxygen sensor, or the like, as described in more detail elsewhere herein.

Alternatively or additionally, in some embodiments, the sensing region is configured to measure changes in the amount of background noise (e.g., baseline) in the signal, which can be used to trigger calibration, update calibration, avoid inaccurate calibration (for example, calibration during unstable periods), and/or trigger filtering of the sensor data. In one example of a glucose sensor, the baseline is composed substantially of signal contribution due to factors other than glucose (for example, interfering species, non-reaction-related hydrogen peroxide, or other electroactive species with an oxidation potential that overlaps with hydrogen peroxide). Namely, the glucose sensor is configured to measure a signal associated with the baseline (all non-glucose related current generated) measured by sensor in the host. In some embodiments, an auxiliary electrode located beneath a non-enzymatic portion of the membrane system is used to measure the baseline signal. In some embodiments, the baseline signal is subtracted from the glucose signal (which includes the baseline) to obtain the signal contribution substantially only due to glucose. Subtraction may be accomplished electronically in the sensor using a differential amplifier, digitally in the receiver, and/or otherwise in the hardware or software of the sensor or receiver as is appreciated by one skilled in the art, and as described in more detail elsewhere herein.

One skilled in the art appreciates that the above-described sensitivity and baseline signal measurements can be combined to benefit from both measurements in a single analyte sensor.

Preferred Sensor Components

In general, sensors of the preferred embodiments describe a variety of sensor configurations, wherein each sensor generally comprises two or more working electrodes, a reference and/or counter electrode, an insulator, and a membrane system. In general, the sensors can be configured to continuously measure an analyte in a biological sample, for example, in subcutaneous tissue, in a host's blood flow, and the like. Although a variety of exemplary embodiments are shown, one skilled in the art appreciates that the concepts and examples here can be combined, reduced, substituted, or otherwise modified in accordance with the teachings of the preferred embodiments and/or the knowledge of one skilled in the art.

Preferably, each exemplary sensor design (e.g., FIGS. 1A, 2A, 7A through 9B, and 11) includes a first working electrode, wherein the working electrode is formed from known materials. In some embodiments, each electrode is formed from a fine wire with a diameter of from about 0.001 or less to about 0.010 inches or more, for example, and is formed from, e.g., a plated insulator, a plated wire, or bulk electrically conductive material. In preferred embodiments, the working electrode comprises a wire formed from a conductive material, such as platinum, platinum-iridium, palladium, graphite, gold, carbon, conductive polymer, alloys, or the like. Although the electrodes can be formed by a variety of manufacturing techniques (bulk metal processing, deposition of metal onto a substrate, and the like), it can be advantageous to form the electrodes from plated wire (e.g., platinum on steel wire) or bulk metal (e.g., platinum wire). It is believed that electrodes formed from bulk metal wire provide superior performance (e.g., in contrast to deposited electrodes), including increased stability of assay, simplified manufacturability, resistance to contamination (e.g., which can be intro-

duced in deposition processes), and improved surface reaction (e.g., due to purity of material) without peeling or delamination.

Preferably, the working electrode is configured to measure the concentration of an analyte. In an enzymatic electrochemical sensor for detecting glucose, for example, the working electrode measures the hydrogen peroxide produced by an enzyme catalyzed reaction of the analyte being detected and creates a measurable electronic current. For example, in the detection of glucose wherein glucose oxidase produces hydrogen peroxide as a byproduct, hydrogen peroxide (H_2O_2) reacts with the surface of the working electrode producing two protons ($2H^+$), two electrons ($2e^-$) and one molecule of oxygen (O_2), which produces the electronic current being detected.

Preferably, each exemplary sensor design (e.g., FIGS. 1A, 2A, 7A through 9B, and 11) includes at least one additional working electrode configured to measure a baseline (e.g., background noise) signal, to measure another analyte (e.g., oxygen), to generate oxygen, and/or as a transport-measuring electrode, all of which are described in more detail elsewhere herein. In general, the additional working electrode(s) can be formed as described with reference to the first working electrode. In one embodiment, the auxiliary (additional) working electrode is configured to measure a background signal, including constant and non-constant analyte signal components.

Preferably, each exemplary sensor design (e.g., FIGS. 1A, 2A, and 7A through 9B) includes a reference and/or counter electrode. In general, the reference electrode has a configuration similar to that described elsewhere herein with reference to the first working electrode, however may be formed from materials, such as silver, silver/silver chloride, calomel, and the like. In some embodiments, the reference electrode is integrally formed with the one or more working electrodes, however other configurations are also possible (e.g., remotely located on the host's skin, or otherwise in bodily fluid contact). In some exemplary embodiments (e.g., FIGS. 1B and 9B), the reference electrode is helically wound around other component(s) of the sensor system. In some alternative embodiments, the reference electrode is disposed remotely from the sensor, such as but not limited to on the host's skin, as described herein.

Preferably, each exemplary sensor design (e.g., FIGS. 1A, 2A, 7A through 9B, and 11) includes an insulator (e.g., non-conductive material) or similarly functional component. In some embodiments, one or more electrodes are covered with an insulating material, for example, a non-conductive polymer. Dip-coating, spray-coating, vapor-deposition, or other coating or deposition techniques can be used to deposit the insulating material on the electrode(s). In some embodiments, the insulator is a separate component of the system (e.g., see FIG. 7E) and can be formed as is appreciated by one skilled in the art. In one embodiment, the insulating material comprises parylene, which can be an advantageous polymer coating for its strength, lubricity, and electrical insulation properties. Generally, parylene is produced by vapor deposition and polymerization of para-xylylene (or its substituted derivatives). In alternative embodiments, any suitable insulating material can be used, for example, fluorinated polymers, polyethyleneterephthalate, polyurethane, polyimide, other nonconducting polymers, or the like. Glass or ceramic materials can also be employed. Other materials suitable for use include surface energy modified coating systems such as are marketed under the trade names AMC18, AMC148, AMC141, and AMC321 by Advanced Materials Components Express of Bellefonte, PA.

Preferably, each exemplary sensor design (e.g., FIGS. 1A, 2A, 7A through 9B, and 11) includes exposed electroactive area(s). In embodiments wherein an insulator is disposed over one or more electrodes, a portion of the coated electrode(s) can be stripped or otherwise removed, for example, by hand, excimer lasing, chemical etching, laser ablation, grit-blasting (e.g., with sodium bicarbonate or other suitable grit), and the like, to expose the electroactive surfaces. Alternatively, a portion of the electrode can be masked prior to depositing the insulator in order to maintain an exposed electroactive surface area. In one exemplary embodiment, grit blasting is implemented to expose the electroactive surfaces, preferably utilizing a grit material that is sufficiently hard to ablate the polymer material, while being sufficiently soft so as to minimize or avoid damage to the underlying metal electrode (e.g., a platinum electrode). Although a variety of "grit" materials can be used (e.g., sand, talc, walnut shell, ground plastic, sea salt, and the like), in some preferred embodiments, sodium bicarbonate is an advantageous grit-material because it is sufficiently hard to ablate, a coating (e.g., parylene) without damaging, an underlying conductor (e.g., platinum). One additional advantage of sodium bicarbonate blasting includes its polishing action on the metal as it strips the polymer layer, thereby eliminating a cleaning step that might otherwise be necessary. In some embodiments, the tip (e.g., end) of the sensor is cut to expose electroactive surface areas, without a need for removing insulator material from sides of insulated electrodes. In general, a variety of surfaces and surface areas can be exposed.

Preferably, each exemplary sensor design (e.g., FIGS. 1A, 2A, 7A through 9B, and 11) includes a membrane system. Preferably, a membrane system is deposited over at least a portion of the electroactive surfaces of the sensor (working electrode(s) and optionally reference electrode) and provides protection of the exposed electrode surface from the biological environment, diffusion resistance (limitation) of the analyte if needed, a catalyst for enabling an enzymatic reaction, limitation or blocking of interferents, and/or hydrophilicity at the electrochemically reactive surfaces of the sensor interface. Some examples of suitable membrane systems are described in U.S. Publication No. US-2005-0245799-A1.

In general, the membrane system includes a plurality of domains, for example, one or more of an electrode domain **24**, an optional interference domain **26**, an enzyme domain **28** (for example, including glucose oxidase), and a resistance domain **30**, as shown in FIGS. 2A and 2B, and can include a high oxygen solubility domain, and/or a bioprotective domain (not shown), such as is described in more detail in U.S. Publication No. US-2005-0245799-A1, and such as is described in more detail below. The membrane system can be deposited on the exposed electroactive surfaces using known thin film techniques (for example, vapor deposition, spraying, electro-depositing, dipping, or the like). In alternative embodiments, however, other vapor deposition processes (e.g., physical and/or chemical vapor deposition processes) can be useful for providing one or more of the insulating and/or membrane layers, including ultrasonic vapor deposition, electrostatic deposition, evaporative deposition, deposition by sputtering, pulsed laser deposition, high velocity oxygen fuel deposition, thermal evaporator deposition, electron beam evaporator deposition, deposition by reactive sputtering molecular beam epitaxy, atmospheric pressure chemical vapor deposition (CVD), atomic layer CVD, hot wire CVD, low-pressure CVD, microwave plasma-assisted CVD, plasma-enhanced CVD, rapid thermal CVD, remote plasma-enhanced CVD, and ultra-high vacuum CVD, for example. However, the membrane system can be disposed over (or

deposited on) the electroactive surfaces using any known method, as will be appreciated by one skilled in the art.

In some embodiments, one or more domains of the membrane systems are formed from materials such as silicone, polytetrafluoroethylene, polyethylene-co-tetrafluoroethylene, polyolefin, polyester, polycarbonate, biostable polytetrafluoroethylene, homopolymers, copolymers, terpolymers of polyurethanes, polypropylene (PP), polyvinylchloride (PVC), polyvinylidene fluoride (PVDF), polybutylene terephthalate (PBT), polymethylmethacrylate (PMMA), polyether ether ketone (PEEK), polyurethanes, cellulosic polymers, polysulfones and block copolymers thereof including, for example, di-block, tri-block, alternating, random and graft copolymers. U.S. Publication No. US-2005-0245799-A1 describes biointerface and membrane system configurations and materials that may be applied to the preferred embodiments.

Electrode Domain

In selected embodiments, the membrane system comprises an electrode domain **24** (FIGS. 2A-2B). The electrode domain is provided to ensure that an electrochemical reaction occurs between the electroactive surfaces of the working electrode and the reference electrode, and thus the electrode domain is preferably situated more proximal to the electroactive surfaces than the interference and/or enzyme domain. Preferably, the electrode domain includes a coating that maintains a layer of water at the electrochemically reactive surfaces of the sensor. In other words, the electrode domain is present to provide an environment between the surfaces of the working electrode and the reference electrode, which facilitates an electrochemical reaction between the electrodes. For example, a humectant in a binder material can be employed as an electrode domain; this allows for the full transport of ions in the aqueous environment. The electrode domain can also assist in stabilizing the operation of the sensor by accelerating electrode start-up and drifting problems caused by inadequate electrolyte. The material that forms the electrode domain can also provide an environment that protects against pH-mediated damage that can result from the formation of a large pH gradient due to the electrochemical activity of the electrodes.

In one embodiment, the electrode domain includes a flexible, water-swallowable, hydrogel film having a "dry film" thickness of from about 0.05 micron or less to about 20 microns or more, more preferably from about 0.05, 0.1, 0.15, 0.2, 0.25, 0.3, 0.35, 0.4, 0.45, 0.5, 1, 1.5, 2, 2.5, 3, or 3.5 microns to about 4, 5, 6, 7, 8, 9, 10, 11, 12, 13, 14, 15, 16, 17, 18, 19, or 19.5 microns, and more preferably still from about 2, 2.5 or 3 microns to about 3.5, 4, 4.5, or 5 microns. "Dry film" thickness refers to the thickness of a cured film cast from a coating formulation by standard coating techniques.

In certain embodiments, the electrode domain is formed of a curable mixture of a urethane polymer and a hydrophilic polymer. Particularly preferred coatings are formed of a polyurethane polymer having carboxylate or hydroxyl functional groups and non-ionic hydrophilic polyether segments, wherein the polyurethane polymer is crosslinked with a water-soluble carbodiimide (e.g., 1-ethyl-3-(3-dimethylaminopropyl)carbodiimide (EDC)) in the presence of polyvinylpyrrolidone and cured at a moderate temperature of about 50° C.

In some preferred embodiments, the electrode domain is formed from a hydrophilic polymer such as polyvinylpyrrolidone (PVP). An electrode domain formed from PVP has been shown to reduce break-in time of analyte sensors; for example, a glucose sensor utilizing a cellulosic-based interference domain such as described in more detail below.

Preferably, the electrode domain is deposited by vapor deposition, spray coating, dip coating, or other thin film techniques on the electroactive surfaces of the sensor. In one preferred embodiment, the electrode domain is formed by dip-coating the electroactive surfaces in an electrode layer solution and curing the domain for a time of from about 15 minutes to about 30 minutes at a temperature of from about 40° C. to about 55° C. (and can be accomplished under vacuum (e.g., 20 to 30 mmHg)). In embodiments wherein dip-coating is used to deposit the electrode domain, a preferred insertion rate of from about 1 to about 3 inches per minute into the electrode layer solution, with a preferred dwell time of from about 0.5 to about 2 minutes in the electrode layer solution, and a preferred withdrawal rate of from about 0.25 to about 2 inches per minute from the electrode layer solution provide a functional coating. However, values outside of those set forth above can be acceptable or even desirable in certain embodiments, for example, depending upon solution viscosity and solution surface tension, as is appreciated by one skilled in the art. In one embodiment, the electroactive surfaces of the electrode system are dip-coated one time (one layer) and cured at 50° C. under vacuum for 20 minutes.

Although an independent electrode domain is described herein, in some embodiments sufficient hydrophilicity can be provided in the interference domain and/or enzyme domain (the domain adjacent to the electroactive surfaces) so as to provide for the full transport of ions in the aqueous environment (e.g. without a distinct electrode domain). In these embodiments, an electrode domain is not necessary.

Interference Domain

Interferents are molecules or other species that are reduced or oxidized at the electrochemically reactive surfaces of the sensor, either directly or via an electron transfer agent, to produce a false positive analyte signal. In preferred embodiments, an optional interference domain **26** is provided that substantially restricts, resists, or blocks the flow of one or more interfering species (FIGS. 2A-2B). Some known interfering species for a glucose sensor, as described in more detail above, include acetaminophen, ascorbic acid, bilirubin, cholesterol, creatinine, dopamine, ephedrine, ibuprofen, L-dopa, methyl dopa, salicylate, tetracycline, tolazamide, tolbutamide, triglycerides, and uric acid. In general, the interference domain of the preferred embodiments is less permeable to one or more of the interfering species than to the analyte, e.g., glucose.

In one embodiment, the interference domain is formed from one or more cellulosic derivatives. In general, cellulosic derivatives include polymers such as cellulose acetate, cellulose acetate butyrate, 2-hydroxyethyl cellulose, cellulose acetate phthalate, cellulose acetate propionate, cellulose acetate trimellitate, and the like.

In one preferred embodiment, the interference domain is formed from cellulose acetate butyrate. Cellulose acetate butyrate with a molecular weight of about 10,000 daltons to about 75,000 daltons, preferably from about 15,000, 20,000, or 25,000 daltons to about 50,000, 55,000, 60,000, 65,000, or 70,000 daltons, and more preferably about 20,000 daltons is employed. In certain embodiments, however, higher or lower molecular weights can be preferred. Additionally, a casting solution or dispersion of cellulose acetate butyrate at a weight percent of about 15% to about 25%, preferably from about 15%, 16%, 17%, 18%, 19% to about 20%, 21%, 22%, 23%, 24% or 25%, and more preferably about 18% is preferred. Preferably, the casting solution includes a solvent or solvent system, for example an acetone:ethanol solvent system. Higher or lower concentrations can be preferred in certain

embodiments. A plurality of layers of cellulose acetate butyrate can be advantageously combined to form the interference domain in some embodiments, for example, three layers can be employed. It can be desirable to employ a mixture of cellulose acetate butyrate components with different molecular weights in a single solution, or to deposit multiple layers of cellulose acetate butyrate from different solutions comprising cellulose acetate butyrate of different molecular weights, different concentrations, and/or different chemistries (e.g., functional groups). It can also be desirable to include additional substances in the casting solutions or dispersions, e.g., functionalizing agents, crosslinking agents, other polymeric substances, substances capable of modifying the hydrophilicity/hydrophobicity of the resulting layer, and the like.

In one alternative embodiment, the interference domain is formed from cellulose acetate. Cellulose acetate with a molecular weight of about 30,000 daltons or less to about 100,000 daltons or more, preferably from about 35,000, 40,000, or 45,000 daltons to about 55,000, 60,000, 65,000, 70,000, 75,000, 80,000, 85,000, 90,000, or 95,000 daltons, and more preferably about 50,000 daltons is preferred. Additionally, a casting solution or dispersion of cellulose acetate at a weight percent of about 3% to about 10%, preferably from about 3.5%, 4.0%, 4.5%, 5.0%, 5.5%, 6.0%, or 6.5% to about 7.5%, 8.0%, 8.5%, 9.0%, or 9.5%, and more preferably about 8% is preferred. In certain embodiments, however, higher or lower molecular weights and/or cellulose acetate weight percentages can be preferred. It can be desirable to employ a mixture of cellulose acetates with molecular weights in a single solution, or to deposit multiple layers of cellulose acetate from different solutions comprising cellulose acetates of different molecular weights, different concentrations, or different chemistries (e.g., functional groups). It can also be desirable to include additional substances in the casting solutions or dispersions such as described in more detail above.

Layer(s) prepared from combinations of cellulose acetate and cellulose acetate butyrate, or combinations of layer(s) of cellulose acetate and layer(s) of cellulose acetate butyrate can also be employed to form the interference domain.

In some alternative embodiments, additional polymers, such as Nafion®, can be used in combination with cellulosic derivatives to provide equivalent and/or enhanced function of the interference domain. As one example, a 5 wt % Nafion® casting solution or dispersion can be used in combination with a 8 wt % cellulose acetate casting solution or dispersion, e.g., by dip coating at least one layer of cellulose acetate and subsequently dip coating at least one layer Nafion® onto a needle-type sensor such as described with reference to the preferred embodiments. Any number of coatings or layers formed in any order may be suitable for forming the interference domain of the preferred embodiments.

In some alternative embodiments, more than one cellulosic derivative can be used to form the interference domain of the preferred embodiments. In general, the formation of the interference domain on a surface utilizes a solvent or solvent system in order to solvate the cellulosic derivative (or other polymer) prior to film formation thereon. In preferred embodiments, acetone and ethanol are used as solvents for cellulose acetate; however one skilled in the art appreciates the numerous solvents that are suitable for use with cellulosic derivatives (and other polymers). Additionally, one skilled in the art appreciates that the preferred relative amounts of solvent can be dependent upon the cellulosic derivative (or other polymer) used, its molecular weight, its method of deposition, its desired thickness, and the like. However, a percent solute of from about 1% to about 25% is preferably used to

form the interference domain solution so as to yield an interference domain having the desired properties. The cellulosic derivative (or other polymer) used, its molecular weight, method of deposition, and desired thickness can be adjusted, depending upon one or more other of the parameters, and can be varied accordingly as is appreciated by one skilled in the art.

In some alternative embodiments, other polymer types that can be utilized as a base material for the interference domain including polyurethanes, polymers having pendant ionic groups, and polymers having controlled pore size, for example. In one such alternative embodiment, the interference domain includes a thin, hydrophobic membrane that is non-swallowable and restricts diffusion of low molecular weight species. The interference domain is permeable to relatively low molecular weight substances, such as hydrogen peroxide, but restricts the passage of higher molecular weight substances, including glucose and ascorbic acid. Other systems and methods for reducing or eliminating interference species that can be applied to the membrane system of the preferred embodiments are described in U.S. Publication No. US-2005-0115832-A1, U.S. Publication No. US-2005-0176136-A1, U.S. Publication No. US-2005-0161346-A1, and U.S. Publication No. US-2005-0143635-A1. In some alternative embodiments, a distinct interference domain is not included.

In preferred embodiments, the interference domain is deposited directly onto the electroactive surfaces of the sensor for a domain thickness of from about 0.05 micron or less to about 20 microns or more, more preferably from about 0.05, 0.1, 0.15, 0.2, 0.25, 0.3, 0.35, 0.4, 0.45, 0.5, 1, 1.5, 2, 2.5, 3, or 3.5 microns to about 4, 5, 6, 7, 8, 9, 10, 11, 12, 13, 14, 15, 16, 17, 18, 19, or 19.5 microns, and more preferably still from about 1, 1.5 or 2 microns to about 2.5 or 3 microns. Thicker membranes can also be desirable in certain embodiments, but thinner membranes are generally preferred because they have a lower impact on the rate of diffusion of hydrogen peroxide from the enzyme membrane to the electrodes.

In general, the membrane systems of the preferred embodiments can be formed and/or deposited on the exposed electroactive surfaces (e.g., one or more of the working and reference electrodes) using known thin film techniques (for example, casting, spray coating, drawing down, electro-depositing, dip coating, and the like), however casting or other known application techniques can also be utilized. Preferably, the interference domain is deposited by vapor deposition, spray coating, or dip coating. In one exemplary embodiment of a needle-type (transcutaneous) sensor such as described herein, the interference domain is formed by dip coating the sensor into an interference domain solution using an insertion rate of from about 20 inches/min to about 60 inches/min, preferably 40 inches/min, a dwell time of from about 0 minute to about 5 seconds, preferably 0 seconds, and a withdrawal rate of from about 20 inches/minute to about 60 inches/minute, preferably about 40 inches/minute, and curing (drying) the domain from about 1 minute to about 30 minutes, preferably from about 3 minutes to about 15 minutes (and can be accomplished at room temperature or under vacuum (e.g., 20 to 30 mmHg)). In one exemplary embodiment including cellulose acetate butyrate interference domain, a 3-minute cure (i.e., dry) time is preferred between each layer applied. In another exemplary embodiment employing a cellulose acetate interference domain, a 15 minute cure (i.e., dry) time is preferred between each layer applied.

The dip process can be repeated at least one time and up to 10 times or more. The preferred number of repeated dip processes depends upon the cellulosic derivative(s) used,

their concentration, conditions during deposition (e.g., dipping) and the desired thickness (e.g., sufficient thickness to provide functional blocking of (or resistance to) certain interferences), and the like. In some embodiments, 1 to 3 microns may be preferred for the interference domain thickness; however, values outside of these can be acceptable or even desirable in certain embodiments, for example, depending upon viscosity and surface tension, as is appreciated by one skilled in the art. In one exemplary embodiment, an interference domain is formed from three layers of cellulose acetate butyrate. In another exemplary embodiment, an interference domain is formed from 10 layers of cellulose acetate. In another exemplary embodiment, an interference domain is formed of one relatively thicker layer of cellulose acetate butyrate. In yet another exemplary embodiment, an interference domain is formed of four relatively thinner layers of cellulose acetate butyrate. In alternative embodiments, the interference domain can be formed using any known method and combination of cellulose acetate and cellulose acetate butyrate, as will be appreciated by one skilled in the art.

In some embodiments, the electroactive surface can be cleaned prior to application of the interference domain. In some embodiments, the interference domain of the preferred embodiments can be useful as a bioprotective or biocompatible domain, namely, a domain that interfaces with host tissue when implanted in an animal (e.g., a human) due to its stability and biocompatibility.

Enzyme Domain

In preferred embodiments, the membrane system further includes an enzyme domain **28** disposed more distally from the electroactive surfaces than the interference domain; however other configurations can be desirable (FIGS. 2A-2B). In the preferred embodiments, the enzyme domain provides an enzyme to catalyze the reaction of the analyte and its co-reactant, as described in more detail below. In the preferred embodiments of a glucose sensor, the enzyme domain includes glucose oxidase; however other oxidases, for example, galactose oxidase or uricase oxidase, can also be used.

For an enzyme-based electrochemical glucose sensor to perform well, the sensor's response is preferably limited by neither enzyme activity nor co-reactant concentration. Because enzymes, including glucose oxidase (GOx), are subject to deactivation as a function of time even in ambient conditions, this behavior is compensated for in forming the enzyme domain. Preferably, the enzyme domain is constructed of aqueous dispersions of colloidal polyurethane polymers including the enzyme. However, in alternative embodiments the enzyme domain is constructed from an oxygen enhancing material, for example, silicone, or fluorocarbon, in order to provide a supply of excess oxygen during transient ischemia. Preferably, the enzyme is immobilized within the domain. See, e.g., U.S. Publication No. US-2005-0054909-A1.

In preferred embodiments, the enzyme domain is deposited onto the interference domain for a domain thickness of from about 0.05 micron or less to about 20 microns or more, more preferably from about 0.05, 0.1, 0.15, 0.2, 0.25, 0.3, 0.35, 0.4, 0.45, 0.5, 1, 1.5, 2, 2.5, 3, or 3.5 microns to about 4, 5, 6, 7, 8, 9, 10, 11, 12, 13, 14, 15, 16, 17, 18, 19, or 19.5 microns, and more preferably still from about 2, 2.5 or 3 microns to about 3.5, 4, 4.5, or 5 microns. However in some embodiments, the enzyme domain can be deposited directly onto the electroactive surfaces. Preferably, the enzyme domain is deposited by spray or dip coating. In one embodiment of needle-type (transcutaneous) sensor such as described herein, the enzyme domain is formed by dip coat-

ing the interference domain coated sensor into an enzyme domain solution and curing the domain for from about 15 to about 30 minutes at a temperature of from about 40° C. to about 55° C. (and can be accomplished under vacuum (e.g., 20 to 30 mmHg)). In embodiments wherein dip coating is used to deposit the enzyme domain at room temperature, a preferred insertion rate of from about 0.25 inch per minute to about 3 inches per minute, with a preferred dwell time of from about 0.5 minutes to about 2 minutes, and a preferred withdrawal rate of from about 0.25 inch per minute to about 2 inches per minute provides a functional coating. However, values outside of those set forth above can be acceptable or even desirable in certain embodiments, for example, depending upon viscosity and surface tension, as is appreciated by one skilled in the art. In one embodiment, the enzyme domain is formed by dip coating two times (namely, forming two layers) in an enzyme domain solution and curing at 50° C. under vacuum for 20 minutes. However, in some embodiments, the enzyme domain can be formed by dip coating and/or spray coating one or more layers at a predetermined concentration of the coating solution, insertion rate, dwell time, withdrawal rate, and/or desired thickness.

Resistance Domain

In preferred embodiments, the membrane system includes a resistance domain 30 disposed more distal from the electroactive surfaces than the enzyme domain (FIGS. 2A-2B). Although the following description is directed to a resistance domain for a glucose sensor, the resistance domain can be modified for other analytes and co-reactants as well.

There exists a molar excess of glucose relative to the amount of oxygen in blood; that is, for every free oxygen molecule in extracellular fluid, there are typically more than 100 glucose molecules present (see Updike et al., *Diabetes Care* 5:207-21(1982)). However, an immobilized enzyme-based glucose sensor employing oxygen as co-reactant is preferably supplied with oxygen in non-rate-limiting excess in order for the sensor to respond linearly to changes in glucose concentration, while not responding to changes in oxygen concentration. Specifically, when a glucose-monitoring reaction is oxygen limited, linearity is not achieved above minimal concentrations of glucose. Without a semipermeable membrane situated over the enzyme domain to control the flux of glucose and oxygen, a linear response to glucose levels can be obtained only for glucose concentrations of up to about 40 mg/dL. However, in a clinical setting, a linear response to glucose levels is desirable up to at least about 400 mg/dL.

The resistance domain includes a semipermeable membrane that controls the flux of oxygen and glucose to the underlying enzyme domain, preferably rendering oxygen in a non-rate-limiting excess. As a result, the upper limit of linearity of glucose measurement is extended to a much higher value than that which is achieved without the resistance domain. In one embodiment, the resistance domain exhibits an oxygen to glucose permeability ratio of from about 50:1 or less to about 400:1 or more, preferably about 200:1. As a result, one-dimensional reactant diffusion is adequate to provide excess oxygen at all reasonable glucose and oxygen concentrations found in the subcutaneous matrix (See Rhodes et al., *Anal. Chem.*, 66:1520-1529 (1994)).

In alternative embodiments, a lower ratio of oxygen-to-glucose can be sufficient to provide excess oxygen by using a high oxygen solubility domain (for example, a silicone or fluorocarbon-based material or domain) to enhance the supply/transport of oxygen to the enzyme domain. If more oxygen is supplied to the enzyme, then more glucose can also be supplied to the enzyme without creating an oxygen rate-limiting excess. In alternative embodiments, the resistance

domain is formed from a silicone composition, such as is described in U.S. Publication No. US-2005-0090607-A1.

In a preferred embodiment, the resistance domain includes a polyurethane membrane with both hydrophilic and hydrophobic regions to control the diffusion of glucose and oxygen to an analyte sensor, the membrane being fabricated easily and reproducibly from commercially available materials. A suitable hydrophobic polymer component is a polyurethane, or polyetherurethaneurea. Polyurethane is a polymer produced by the condensation reaction of a diisocyanate and a difunctional hydroxyl-containing material. A polyurethaneurea is a polymer produced by the condensation reaction of a diisocyanate and a difunctional amine-containing material. Preferred diisocyanates include aliphatic diisocyanates containing from about 4 to about 8 methylene units. Diisocyanates containing cycloaliphatic moieties can also be useful in the preparation of the polymer and copolymer components of the membranes of preferred embodiments. The material that forms the basis of the hydrophobic matrix of the resistance domain can be any of those known in the art as appropriate for use as membranes in sensor devices and as having sufficient permeability to allow relevant compounds to pass through it, for example, to allow an oxygen molecule to pass through the membrane from the sample under examination in order to reach the active enzyme or electrochemical electrodes. Examples of materials which can be used to make non-polyurethane type membranes include vinyl polymers, polyethers, polyesters, polyamides, inorganic polymers such as polysiloxanes and polycarbosiloxanes, natural polymers such as cellulosic and protein based materials, and mixtures or combinations thereof.

In a preferred embodiment, the hydrophilic polymer component is polyethylene oxide. For example, one useful hydrophobic-hydrophilic copolymer component is a polyurethane polymer that includes about 20% hydrophilic polyethylene oxide. The polyethylene oxide portions of the copolymer are thermodynamically driven to separate from the hydrophobic portions of the copolymer and the hydrophobic polymer component. The 20% polyethylene oxide-based soft segment portion of the copolymer used to form the final blend affects the water pick-up and subsequent glucose permeability of the membrane.

In some embodiments, the resistance domain is formed from a silicone polymer modified to allow analyte (e.g., glucose) transport.

In some embodiments, the resistance domain is formed from a silicone polymer/hydrophobic-hydrophilic polymer blend. In one embodiment, The hydrophobic-hydrophilic polymer for use in the blend may be any suitable hydrophobic-hydrophilic polymer, including but not limited to components such as polyvinylpyrrolidone (PVP), polyhydroxyethyl methacrylate, polyvinylalcohol, polyacrylic acid, polyethers such as polyethylene glycol or polypropylene oxide, and copolymers thereof, including, for example, di-block, tri-block, alternating, random, comb, star, dendritic, and graft copolymers (block copolymers are discussed in U.S. Pat. Nos. 4,803,243 and 4,686,044, which are incorporated herein by reference). In one embodiment, the hydrophobic-hydrophilic polymer is a copolymer of poly(ethylene oxide) (PEO) and poly(propylene oxide) (PPO). Suitable such polymers include, but are not limited to, PEO-PPO diblock copolymers, PPO-PEO-PPO triblock copolymers, PEO-PPO-PEO triblock copolymers, alternating block copolymers of PEO-PPO, random copolymers of ethylene oxide and propylene oxide, and blends thereof. In some embodiments, the copolymers may be optionally substituted with hydroxy substituents. Commercially available examples of PEO and PPO

copolymers include the PLURONIC® brand of polymers available from BASF®. In one embodiment, PLURONIC® F-127 is used. Other PLURONIC® polymers include PPO-PEO-PPO triblock copolymers (e.g., PLURONIC® R products). Other suitable commercial polymers include, but are not limited to, SYNPERONICS® products available from UNIQEMA®.

In preferred embodiments, the resistance domain is deposited onto the enzyme domain to yield a domain thickness of from about 0.05 microns or less to about 20 microns or more, more preferably from about 0.05, 0.1, 0.15, 0.2, 0.25, 0.3, 0.35, 0.4, 0.45, 0.5, 1, 1.5, 2, 2.5, 3, or 3.5 microns to about 4, 5, 6, 7, 8, 9, 10, 11, 12, 13, 14, 15, 16, 17, 18, 19, or 19.5 microns, and more preferably still from about 2, 2.5 or 3 microns to about 3.5, 4, 4.5, or 5 microns. Preferably, the resistance domain is deposited onto the enzyme domain by vapor deposition, spray coating, or dip coating. In one preferred embodiment, spray coating is the preferred deposition technique. The spraying process atomizes and mists the solution, and therefore most or all of the solvent is evaporated prior to the coating material settling on the underlying domain, thereby minimizing contact of the solvent with the enzyme.

In a preferred embodiment, the resistance domain is deposited on the enzyme domain by spray coating a solution of from about 1 wt. % to about 5 wt. % polymer and from about 95 wt. % to about 99 wt. % solvent. In spraying a solution of resistance domain material, including a solvent, onto the enzyme domain, it is desirable to mitigate or substantially reduce any contact with enzyme of any solvent in the spray solution that can deactivate the underlying enzyme of the enzyme domain. Tetrahydrofuran (THF) is one solvent that minimally or negligibly affects the enzyme of the enzyme domain upon spraying. Other solvents can also be suitable for use, as is appreciated by one skilled in the art.

Preferably, each exemplary sensor design (e.g., FIGS. 1A, 2A, and 7A through 9B) includes electronic connections, for example, one or more electrical contacts configured to provide secure electrical contact between the sensor and associated electronics. In some embodiments, the electrodes and membrane systems of the preferred embodiments are coaxially formed, namely, the electrodes and/or membrane system all share the same central axis. While not wishing to be bound by theory, it is believed that a coaxial design of the sensor enables a symmetrical design without a preferred bend radius. Namely, in contrast to prior art sensors comprising a substantially planar configuration that can suffer from regular bending about the plane of the sensor, the coaxial design of the preferred embodiments do not have a preferred bend radius and therefore are not subject to regular bending about a particular plane (which can cause fatigue failures and the like). However, non-coaxial sensors can be implemented with the sensor system of the preferred embodiments.

In addition to the above-described advantages, the coaxial sensor design of the preferred embodiments enables the diameter of the connecting end of the sensor (proximal portion) to be substantially the same as that of the sensing end (distal portion) such that a needle is able to insert the sensor into the host and subsequently slide back over the sensor and release the sensor from the needle, without slots or other complex multi-component designs, as described in detail in U.S. Publication No. US-2006-0063142-A1 and U.S. application Ser. No. 11/360,250 filed Feb. 22, 2006 and entitled "ANALYTE SENSOR," which are incorporated in their entirety herein by reference.

Exemplary Continuous Sensor Configurations

In some embodiments, the sensor is an enzyme-based electrochemical sensor, wherein the glucose-measuring working electrode **16** (e.g., FIGS. 1A-1B) measures the hydrogen peroxide produced by the enzyme catalyzed reaction of glucose being detected and creates a measurable electronic current (for example, detection of glucose utilizing glucose oxidase produces hydrogen peroxide (H₂O₂) as a by product, H₂O₂ reacts with the surface of the working electrode producing two protons (2H⁺), two electrons (2e⁻) and one molecule of oxygen (O₂) which produces the electronic current being detected, see FIG. 10), such as described in more detail elsewhere herein and as is appreciated by one skilled in the art. Preferably, one or more potentiostat is employed to monitor the electrochemical reaction at the electroactive surface of the working electrode(s). The potentiostat applies a constant potential to the working electrode and its associated reference electrode to determine the current produced at the working electrode. The current that is produced at the working electrode (and flows through the circuitry to the counter electrode) is substantially proportional to the amount of H₂O₂ that diffuses to the working electrodes. The output signal is typically a raw data stream that is used to provide a useful value of the measured analyte concentration in a host to the patient or doctor, for example.

Some alternative analyte sensors that can benefit from the systems and methods of the preferred embodiments include U.S. Pat. No. 5,711,861 to Ward et al., U.S. Pat. No. 6,642,015 to Vachon et al., U.S. Pat. No. 6,654,625 to Say et al., U.S. Pat. No. 6,565,509 to Say et al., U.S. Pat. No. 6,514,718 to Heller, U.S. Pat. No. 6,465,066 to Essenpreis et al., U.S. Pat. No. 6,214,185 to Offenbacher et al., U.S. Pat. No. 5,310,469 to Cunningham et al., and U.S. Pat. No. 5,683,562 to Shaffer et al., U.S. Pat. No. 6,579,690 to Bonnacaze et al., U.S. Pat. No. 6,484,046 to Say et al., U.S. Pat. No. 6,512,939 to Colvin et al., U.S. Pat. No. 6,424,847 to Mastrototaro et al., U.S. Pat. No. 6,424,847 to Mastrototaro et al, for example. All of the above patents are incorporated in their entirety herein by reference and are not inclusive of all applicable analyte sensors; in general, it should be understood that the disclosed embodiments are applicable to a variety of analyte sensor configurations.

Although some exemplary glucose sensor configurations are described in detail below, it should be understood that the systems and methods described herein can be applied to any device capable of continually or continuously detecting a concentration of analyte of interest and providing an output signal that represents the concentration of that analyte, for example oxygen, lactose, hormones, cholesterol, medications, viruses, or the like.

FIG. 1A is a perspective view of an analyte sensor, including an implantable body with a sensing region including a membrane system disposed thereon. In the illustrated embodiment, the analyte sensor **10a** includes a body **12** and a sensing region **14** including membrane and electrode systems configured to measure the analyte. In this embodiment, the sensor **10a** is preferably wholly implanted into the subcutaneous tissue of a host, such as described in U.S. Publication No. US-2006-0015020-A1; U.S. Publication No. US-2005-0245799-A1; U.S. Publication No. US-2005-0192557-A1; U.S. Publication No. US-2004-0199059-A1; U.S. Publication No. US-2005-0027463-A1; and U.S. Pat. No. 6,001,067 issued Dec. 14, 1999 and entitled "DEVICE AND METHOD FOR DETERMINING ANALYTE LEVELS," each of which are incorporated herein by reference in their entirety.

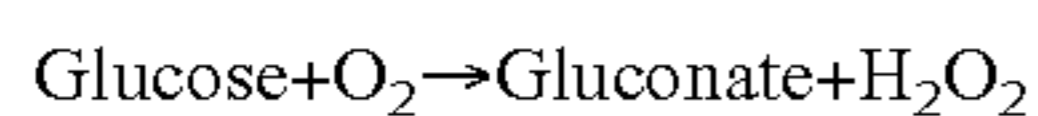
The body **12** of the sensor **10a** can be formed from a variety of materials, including metals, ceramics, plastics, or compos-

ites thereof. In one embodiment, the sensor is formed from thermoset molded around the sensor electronics. U.S. Publication No. US-2004-0199059-A1 discloses suitable configurations for the body, and is incorporated by reference in its entirety.

In some embodiments, the sensing region **14** includes a glucose-measuring working electrode **16**, an optional auxiliary working electrode **18**, a reference electrode **20**, and a counter electrode **24**. Generally, the sensing region **14** includes means to measure two different signals, 1) a first signal associated with glucose and non-glucose related electroactive compounds having a first oxidation potential, wherein the first signal is measured at the glucose-measuring working electrode disposed beneath an active enzymatic portion of a membrane system, and 2) a second signal associated with the baseline and/or sensitivity of the glucose sensor. In some embodiments, wherein the second signal measures sensitivity, the signal is associated with at least one non-glucose constant data point, for example, wherein the auxiliary working electrode **18** is configured to measure oxygen. In some embodiments, wherein the second signal measures baseline, the signal is associated with non-glucose related electroactive compounds having the first oxidation potential, wherein the second signal is measured at an auxiliary working electrode **18** and is disposed beneath a non-enzymatic portion of the membrane system, such as described in more detail elsewhere herein.

Preferably, a membrane system (see FIG. 2A) is deposited over the electroactive surfaces of the sensor **10a** and includes a plurality of domains or layers, such as described in more detail below, with reference to FIGS. 2A and 2B. In general, the membrane system may be disposed over (deposited on) the electroactive surfaces using methods appreciated by one skilled in the art. See U.S. Publication No. US-2006-0015020-A1.

The sensing region **14** comprises electroactive surfaces, which are in contact with an electrolyte phase (not shown), which is a free-flowing fluid phase disposed between the membrane system **22** and the electroactive surfaces. In this embodiment, the counter electrode is provided to balance the current generated by the species being measured at the working electrode. In the case of glucose oxidase based analyte sensors, the species being measured at the working electrode is H_2O_2 . Glucose oxidase catalyzes the conversion of oxygen and glucose to hydrogen peroxide and gluconate according to the following reaction:



The change in H_2O_2 can be monitored to determine glucose concentration because for each glucose molecule metabolized, there is a proportional change in the product H_2O_2 (see FIG. 10). Oxidation of H_2O_2 by the working electrode is balanced by reduction of ambient oxygen, enzyme generated H_2O_2 , or other reducible species at the counter electrode. The H_2O_2 produced from the glucose oxidase reaction further reacts at the surface of the working electrode and produces two protons ($2H^+$), two electrons ($2e^-$), and one oxygen molecule (O_2). Preferably, one or more potentiostats are employed to monitor the electrochemical reaction at the electroactive surface of the working electrode(s). The potentiostat applies a constant potential to the working electrode and its associated reference electrode to determine the current produced at the working electrode. The current that is produced at the working electrode (and flows through the circuitry to the counter electrode) is substantially proportional to the amount of H_2O_2 that diffuses to the working electrodes. The output signal is typically a raw data stream that is used to

provide a useful value of the measured analyte concentration in a host to the patient or doctor, for example.

FIG. 1B is a schematic view of an alternative exemplary embodiment of a continuous analyte sensor **10b**, also referred to as an in-dwelling or transcutaneous analyte sensor in some circumstances, particularly illustrating the in vivo portion of the sensor. In this embodiment, the in vivo portion of the sensor **10b** is the portion adapted for insertion under the host's skin, in a host's blood stream, or other biological sample, while an ex vivo portion of the sensor (not shown) is the portion that remains above the host's skin after sensor insertion and operably connects to an electronics unit. In the illustrated embodiment, the analyte sensor **10b** is coaxial and includes three electrodes: a glucose-measuring working electrode **16**, an optional auxiliary working electrode **18**, and at least one additional electrode **20**, which may function as a counter and/or reference electrode, hereinafter referred to as the reference electrode **20**. Generally, the sensor **10b** may include the ability to measure two different signals, 1) a first signal associated with glucose and non-glucose related electroactive compounds having a first oxidation potential, wherein the first signal is measured at the glucose-measuring working electrode disposed beneath an active enzymatic portion of a membrane system, and 2) a second signal associated with the baseline and/or sensitivity of the glucose sensor, such as described in more detail above with reference to FIG. 1A.

One skilled in the art appreciates that the analyte sensor of FIG. 1B can have a variety of configurations. In one exemplary embodiment, the sensor is generally configured of a first working electrode, a second working electrode, and a reference electrode. In one exemplary configuration, the first working electrode **16** is a central metal wire or plated non-conductive rod/filament/fiber and the second working and reference electrodes (**20** and **18**, respectively OR **18** and **20**, respectively) are coiled around the first working electrode **16**. In another exemplary configuration, the first working electrode is a central wire, as depicted in FIG. 1B, the second working electrode is coiled around the first working electrode, and the reference electrode is disposed remotely from the sensor, as described herein. In another exemplary configuration, the first and second working electrodes (**20** and **18**) are coiled around a supporting rod **16** of insulating material. The reference electrode (not shown) can be disposed remotely from the sensor, as described herein, or disposed on the non-conductive supporting rod **16**. In still another exemplary configuration, the first and second working electrodes (**20** and **18**) are coiled around a reference electrode **16** (not to scale).

Preferably, each electrode is formed from a fine wire, with a diameter in the range of 0.001 to 0.010 inches, for example, and may be formed from plated wire or bulk material, however the electrodes may be deposited on a substrate or other known configurations as is appreciated by one skilled in the art.

In one embodiment, the glucose-measuring working electrode **16** comprises a wire formed from a conductive material, such as platinum, palladium, graphite, gold, carbon, conductive polymer, or the like. Alternatively, the glucose-measuring working electrode **16** can be formed of a non-conductive fiber or rod that is plated with a conductive material. The glucose-measuring working electrode **16** is configured and arranged to measure the concentration of glucose. The glucose-measuring working electrode **16** is covered with an insulating material, for example a non-conductive polymer. Dip-coating, spray-coating, or other coating or deposition techniques can be used to deposit the insulating material on the working electrode, for example. In one preferred embodiment, the

insulating material comprises Parylene, which can be an advantageous conformal coating for its strength, lubricity, and electrical insulation properties, however, a variety of other insulating materials can be used, for example, fluorinated polymers, polyethyleneterephthalate, polyurethane, polyimide, or the like.

In this embodiment, the auxiliary working electrode **18** comprises a wire formed from a conductive material, such as described with reference to the glucose-measuring working electrode **16** above. Preferably, the reference electrode **20**, which may function as a reference electrode alone, or as a dual reference and counter electrode, is formed from silver, Silver/Silver chloride, or the like.

Preferably, the electrodes are juxtapositioned and/or twisted with or around each other; however other configurations are also possible. In one example, the auxiliary working electrode **18** and reference electrode **20** may be helically wound around the glucose-measuring working electrode **16** as illustrated in FIG. 1B. Alternatively, the auxiliary working electrode **18** and reference electrode **20** may be formed as a double helix around a length of the glucose-measuring working electrode **16**. In some embodiments, the working electrode, auxiliary working electrode and reference electrodes may be formed as a triple helix. The assembly of wires may then be optionally coated together with an insulating material, similar to that described above, in order to provide an insulating attachment. Some portion of the coated assembly structure is then stripped, for example using an excimer laser, chemical etching, or the like, to expose the necessary electroactive surfaces. In some alternative embodiments, additional electrodes may be included within the assembly, for example, a three-electrode system (including separate reference and counter electrodes) as is appreciated by one skilled in the art.

FIGS. 2A and 2B are schematic views membrane systems in some embodiments that may be disposed over the electroactive surfaces of an analyte sensors of FIGS. 1A and 1B, respectively, wherein the membrane system includes one or more of the following domains: a resistance domain **30**, an enzyme domain **28**, an optional interference domain **26**, and an electrolyte domain **24**, such as described in more detail below. However, it is understood that the membrane system **22** can be modified for use in other sensors, by including only one or more of the domains, additional domains not recited above, or for other sensor configurations. For example, the interference domain can be removed when other methods for removing interferants are utilized, such as an auxiliary electrode for measuring and subtracting out signal due to interferants. As another example, an "oxygen antenna domain" composed of a material that has higher oxygen solubility than aqueous media so that it concentrates oxygen from the biological fluid surrounding the biointerface membrane can be added. The oxygen antenna domain can then act as an oxygen source during times of minimal oxygen availability and has the capacity to provide on demand a higher rate of oxygen delivery to facilitate oxygen transport to the membrane. This enhances function in the enzyme reaction domain and at the counter electrode surface when glucose conversion to hydrogen peroxide in the enzyme domain consumes oxygen from the surrounding domains. Thus, this ability of the oxygen antenna domain to apply a higher flux of oxygen to critical domains when needed improves overall sensor function.

In some embodiments, the membrane system generally provides one or more of the following functions: 1) protection of the exposed electrode surface from the biological environment, 2) diffusion resistance (limitation) of the analyte, 3) a catalyst for enabling an enzymatic reaction, 4) optionally limitation or blocking of interfering species, and 5) hydrophi-

licity at the electrochemically reactive surfaces of the sensor interface, such as described in U.S. Publication No. US-2005-0245799-A1. In some embodiments, the membrane system additionally includes a cell disruptive domain, a cell impermeable domain, and/or an oxygen domain (not shown), such as described in more detail in U.S. Publication No. US-2005-0245799-A1. However, it is understood that a membrane system modified for other sensors, for example, by including fewer or additional domains is within the scope of the preferred embodiments.

One aspect of the preferred embodiments provides for a sensor (for transcutaneous, wholly implantable, or intravascular short-term or long-term use) having integrally formed parts, such as but not limited to a plurality of electrodes, a membrane system and an enzyme. For example, the parts may be coaxial, juxtapositioned, helical, bundled and/or twisted, plated and/or deposited thereon, extruded, molded, held together by another component, and the like. In another example, the components of the electrode system are integrally formed, (e.g., without additional support, such as a supporting substrate), such that substantially all parts of the system provide essential functions of the sensor (e.g., the sensing mechanism or "in vivo" portion). In a further example, a first electrode can be integrally formed directly on a second electrode (e.g., electrically isolated by an insulator), such as by vapor deposition of a conductive electrode material, screen printing a conductive electrode ink or twisting two electrode wires together in a coiled structure.

Some embodiments provide an analyte sensor that is configured for insertion into a host and for measuring an analyte in the host, wherein the sensor includes a first working electrode disposed beneath an active enzymatic portion of a membrane (e.g., membrane system) on the sensor and a second working electrode disposed beneath an inactive- or non-enzymatic portion of the membrane on the sensor. In these embodiments, the first and second working electrodes integrally form at least a portion of the sensor.

Exemplary Sensor Configurations

FIG. 1B is a schematic view of a sensor in one embodiment. In some preferred embodiments, the sensor is configured to be integrally formed and coaxial. In this exemplary embodiment, one or more electrodes are helically wound around a central core, all of which share axis A-A. The central core **16** can be an electrode (e.g., a wire or metal-plated insulator) or a support made of insulating material. The coiled electrodes **18**, **20** are made of conductive material (e.g., plated wire, metal-plated polymer filaments, bulk metal wires, etc.) that is helically wound or twisted about the core **16**. Generally, at least the working electrodes are coated with an insulator I of non-conductive or dielectric material.

One skilled in the art will recognize that various electrode combinations are possible. For example, in one embodiment, the core **16** is a first working electrode and can be substantially straight. One of the coiled electrodes (**18** or **20**) is a second working electrode and the remaining coiled electrode is a reference or counter electrode. In a further embodiment, the reference electrode can be disposed remotely from the sensor, such as on the host's skin or on the exterior of the sensor, for example. Although this exemplary embodiment illustrates an integrally formed coaxial sensor, one skilled in the art appreciates a variety of alternative configurations. In one exemplary embodiment, the arrangement of electrodes is reversed, wherein the first working electrode is helically wound around the second working electrode core **16**. In another exemplary embodiment, the reference electrode can form the central core **16** with the first and second working electrodes coiled there around. In some exemplary embodi-

ments, the sensor can have additional working, reference and/or counter electrodes, depending upon the sensor's purpose. Generally, one or more of the electrode wires are coated with an insulating material, to prevent direct contact between the electrodes. Generally, a portion of the insulating material can be removed (e.g., etched, scraped or grit-blasted away) to expose an electroactive surface of the electrode. An enzyme solution can be applied to the exposed electroactive surface, as described herein.

The electrodes each have first and second ends. The electrodes can be of any geometric solid shape, such as but not limited to a cylinder having a circular or oval cross-section, a rectangle (e.g., extruded rectangle), a triangle (e.g., extruded triangle), an X-cross section, a Y-cross section, flower petal-cross sections, star-cross sections, melt-blown fibers loaded with conductive material (e.g., conductive polymers) and the like. The first ends (e.g., an in vivo portion, "front end") of the electrodes are configured for insertion in the host and the second ends (e.g., an ex vivo portion, "back end") are configured for electrical connection to sensor electronics. In some embodiments, the sensor includes sensor electronics that collect data from the sensor and provide the data to the host in various ways. Sensor electronics are discussed in detail elsewhere herein.

FIGS. 7A1 and 7A2 are schematics of an analyte sensor in another embodiment. FIG. 7A1 is a side view and FIG. 7A2 is a side-cutaway view. In some preferred embodiments, the sensor is configured to be integrally formed and coaxial, with an optional stepped end. In this exemplary embodiment, the sensor includes a plurality of electrodes E1, E2, E3 to En, wherein n equals any number of electrode layers. Layers of insulating material I (e.g., non-conductive material) separate the electrode layers. All of the electrode and insulating material layers share axis A-A. The layers can be applied by any technique known in the art, such as but not limited to spraying, dipping, spraying, etc. For example, a bulk metal wire electrode E1 can be dipped into a solution of insulating polymer that is vulcanized to form a layer of non-conductive, electrically insulating material I. A second electrode E2 can be plated (e.g., by electroplating or other plating technique used in the art) on the first insulating layer, followed by application of a second insulating layer I applied in the same manner as the first layer. Additional electrode layers (e.g., E3 to En) and insulating layers can be added to the construct, to create the desired number of electrodes and insulating layers. As an example, multiple sensors can be formed from a long wire (with insulating and electrode layers applied) that can be cut to yield a plurality of sensors of the desired length. After the sensor has been cut to size, it can be polished or otherwise treated to prepare the electrodes for use. In some embodiments, the various electrode and/or insulator layers can be applied by dipping, spraying, printing, vapor deposition, plating, spin coating or any other method known in the art. Although this exemplary embodiment illustrates an integrally formed coaxial sensor, one skilled in the art appreciates a variety of alternative configurations. For example, in some embodiments, the sensor can have two, three, four or more electrodes separated by insulating material I. In another embodiment, the analyte sensor has two or more electrodes, such as but not limited to a first working electrode, an auxiliary working electrode, a reference electrode and/or counter electrode. FIG. 7B is a schematic view of an integrally formed, coaxial sensor in another embodiment. In this exemplary embodiment, a coiled first electrode E1 is manufactured from an electrically conductive tube or cylinder, such as but not limited to a silver Hypotube. A portion of the Hypotube is trimmed or carved into a helix or coil 702. A second electrode

E2 that is sized to fit (e.g., with minimal tolerance) within the first electrode E1 mates (e.g., slides into) with the first electrode E1, to form the sensor. In general, the surfaces of the electrodes are coated with an insulator, to prevent direct contact between the electrodes. As described herein, portion of the insulator can be stripped away to expose the electroactive surfaces. Although this exemplary embodiment illustrates one configuration of a coaxial, integrally formed sensor, one skilled in the art appreciates a variety of alternative configurations. For example, in some embodiments, the first electrode E1 is a reference or auxiliary electrode, and the second electrode E2 is a working electrode. However, the first electrode E1 can be a working electrode and the second electrode E2 can be a reference or auxiliary electrode. In some embodiments, additional electrodes are applied to the construct (e.g., after E2 is inserted into E1). One advantage of this configuration is that the silver Hypotube can be cut to increase or decrease the flexibility of the sensor. For example, the spiral cut can space the coils farther apart to increase the sensor's flexibility. Another example of this configuration is that it is easier to construct the sensor in this manner, rather than winding one electrode around another (e.g., as is done for the embodiment shown in FIG. 1B).

FIGS. 7C to 7E are schematics of three embodiments of bundled analyte sensors. In these embodiments, of the sensors are configured to be integrally formed sensors, wherein a plurality (E1, E2, E3, to En) of electrodes are bundled, coiled or twisted to form a portion of the sensor. In some embodiments, the electrodes can be twisted or helically coiled to form a coaxial portion of the sensor, which share the same axis. In one embodiment, the first and second working electrodes are twisted or helically wound together, to form at least a portion of the sensor (e.g., a glucose sensor). For example, the electrodes can be twisted in a double helix. In some embodiments, additional electrodes are provided and twisted, coiled or wound with the first and second electrodes to form a larger super helix, such as a triple helix, a quadruple helix, or the like. For example, three wires (E1, E2, and E3) can be twisted to form a triple helix. In still other embodiments, at least one reference electrode can be disposed remotely from the working electrodes, as described elsewhere herein. In some embodiments, the tip of the sensor can be cut at an angle (90° or other angle) to expose the electrode tips to varying extents, as described herein.

FIG. 7C is a schematic of an exemplary embodiment of a sensor having three bundled electrodes E1, E2, and E3. In some preferred embodiments of the sensor, two or all of the electrodes can be identical. Alternatively, the electrodes can be non-identical. For example, the sensor can have a glucose-sensing electrode, an oxygen-sensing electrode and a reference electrode. Although this exemplary embodiment illustrates a bundled sensor, one skilled in the art appreciates a variety of alternative sensor configurations. For example, only two electrodes can be used or more than three electrodes can be used. In another example, holding one end of the bundled wires in a clamp and twisting the other end of the wires, to form a cable-like structure, can coil the electrodes together. Such a coiled structure can hold the electrodes together without additional structure (e.g., bound by a wire or coating). In another example, non-coiled electrodes can be bundled and held together with a wire or fiber coiled there around, or by applying a coating of insulating material to the electrode bundle. In still another example, the reference electrode can be disposed remotely from the working electrodes, as described elsewhere herein.

FIG. 7D is a schematic view of a sensor in one embodiment. In some preferred embodiments, the sensor is designed

to be integrally formed and bundled and/or coaxial. In this exemplary embodiment, the sensor includes seven electrodes, wherein three electrodes of a first type (e.g., 3×E1) and three electrodes of a second type (e.g., 3×E2) are bundled around one electrode of a third type (e.g., E3). Those skilled in the art appreciate a variety of configurations possible with this embodiment. For example, the different types of electrodes can be alternated or not alternated. For example, in FIG. 7D, the two types of electrodes are alternately disposed around E3. However, the two types of electrodes can be grouped around the central structure. As described herein, some or all of the electrodes can be coated with a layer of insulating material, to prevent direct contact between the electrodes. The electrodes can be coiled together, as in a cable, or held together by a wire or fiber wrapping or a coating of insulating material. The sensor can be cut, to expose the electroactive surfaces of the electrodes, or portions of the insulating material coating can be stripped away, as described elsewhere herein. In another example, the sensor can include additional (or fewer) electrodes. In one exemplary embodiment, the E1 and E2 electrodes are bundled around a non-conductive core (e.g., instead of electrode E3), such as an insulated fiber. In another embodiment, different numbers of E1, E2, and E3 electrodes can be used (e.g., two E1 electrodes, two E2 electrodes, and three E3 electrodes). In another embodiment, additional electrode type can be included in the sensor (e.g., an electrode of type E4, E5 or E6, etc.). In still another exemplary embodiment, three glucose-detecting electrodes (e.g., E1) and three reference electrodes (e.g., E2) are bundled and (optionally) coiled around a central auxiliary working electrode (e.g., E3).

FIG. 7E is a schematic of a sensor in another embodiment. In this exemplary embodiment of an integrally formed sensor, two pairs of electrodes (e.g., 2×E1 and 2×E2) are bundled around a core of insulating material I. Fibers or strands of insulating material I also separate the electrodes from each other. Although this exemplary embodiment illustrates an integrally formed sensor, one skilled in the art appreciates a variety of alternative configurations. For example, the pair of E1 electrodes can be working electrodes and the pair of E2 electrodes can be reference and/or auxiliary electrodes. In one exemplary embodiment, the E1 electrodes are both glucose-detecting electrodes, a first E2 electrode is a reference electrode and a second E2 electrode is an auxiliary electrode. In another exemplary embodiment, one E1 electrode includes active GOx and measures a glucose-related signal; the other E1 electrode lacks active GOx and measures a non-glucose-related signal, and the E2 electrodes are reference electrodes. In yet another exemplary embodiment, one E1 electrode detects glucose and the other E1 electrode detects urea, and both E2 electrodes are reference electrodes. One skilled in the art of electrochemical sensors will recognize that the size of the various electrodes can be varied, depending upon their purpose and the current and/or electrical potential used. Electrode size and insulating material size/shape are not constrained by their depiction of relative size in the Figures, which are schematic schematics intended for only illustrative purposes.

FIG. 7F is a schematic view of a cross-section of an integrally formed sensor in another embodiment. In some preferred embodiments, the sensor is configured to be bifunctional. In this exemplary embodiment, the sensor includes two working electrodes E1/E2 separated by either a reference electrode R or an insulating material I. The electrodes E1, E2 and optionally the reference electrode R are conductive and support the sensor's shape. In addition, the reference electrode R (or the insulating material I) can act as a diffusion

barrier (D, described herein) between the working electrodes E1, E2 and support the sensor's structure. Although this exemplary embodiment illustrates one configuration of an integrally formed sensor having bifunctional components, one skilled in the art appreciates a variety of alternative configurations. Namely, FIG. 7F is not to scale and the working electrodes E1, E2 can be relatively larger or smaller in scale, with regard to the reference electrode/insulator R/I separating them. For example, in one embodiment, the working electrodes E1, E2 are separated by a reference electrode that has at least 6-times the surface area of the working electrodes, combined. While the working electrodes E1, E2 and reference electrode/insulator R/I are shown and semi-circles and a rectangle, respectively, one skilled in the art recognizes that these components can take on any geometry known in the art, such as but not limited to rectangles, cubes, cylinders, cones, and the like.

FIG. 7G is a schematic view of a sensor in yet another embodiment. In some preferred embodiments, the sensor is configured to be integrally formed with a diffusion barrier D, as described herein. In this exemplary embodiment, the working electrodes E1, E2 (or one working electrode and one counter electrode) are integrally formed on a substantially larger reference electrode R or an insulator I that substantially prevents diffusion of analyte or other species from one working electrode to another working electrode (e.g., from the enzymatic electrode (e.g., coated with active enzyme) to the non-enzymatic electrode (e.g., no enzyme or inactive enzyme)). Although this exemplary embodiment illustrates an integrally formed sensor having a diffusion barrier, one skilled in the art appreciates a variety of alternative configurations. For example, in one embodiment, the reference electrode is designed to include an exposed electroactive surface area that is at least equal to, greater than, or more than about 2, 3, 4, 5, 6, 7, 8, 9, 10 or more times greater than the surface area of the working electrodes (e.g., combined). In other embodiments, the surface of the reference electrode is about 6 (e.g., about 6 to 20) or more times greater than the working electrodes. In some embodiments, each working electrode detects a separate analyte (e.g., glucose, oxygen, uric acid, nitrogen, pH, and the like). In other embodiments, one of the working electrodes is a counter electrode. In still another exemplary embodiment, an enzyme solution containing active GOx is applied to the E1 electroactive surface, while an enzyme solution containing inactive GOx (or no GOx at all) is applied to the E2 electroactive surface. As described herein, this configuration allows the measurement of two signals. Electrode E1 measures both a signal related to glucose concentration and a signal that is not related to glucose concentration. Electrode E2 measures a signal that is not related to glucose concentration. The sensor electronics, as described herein, can use these data to calculate glucose concentration without signal due to non-glucose-related contributions.

FIG. 7H is a schematic view of a sensor in another embodiment. In some preferred embodiments, the sensor is configured of a geometric solid (e.g., cylindrical) reference electrode R having two or more working electrodes E1, E2 to En disposed within two or more grooves or channels carved in the sides of the reference electrode R (parallel to the axis of the reference electrode R). The grooves are sized such that the electrodes E1, E2 can snugly fit therein. Additionally, the depth of the grooves can be configured that the electrode placed therein is externally exposed to a greater or lesser degree. For example, the opening to the groove may be wider or narrower. In some embodiments, a portion of an electrode protrudes from the groove in which the electrode has been disposed. In some embodiments, an insulator (e.g., I) takes

the place of a reference electrode (which can be disposed elsewhere, such as remotely as described in more detail elsewhere herein). The reference electrode/insulator R/I can take any geometric structure known in the art, such as but not limited to cylinders, rectangles, cones, and the like. Similarly, the relative sizes of the working electrodes E1, E2 and the reference electrode/insulator R/I can be varied to achieve a desired signal level, to enable the use of the desired voltage (e.g., to bias the sensor), and the like, as described herein.

In one exemplary embodiment, a diffusion barrier D (described in greater detail below) separates the working electrodes. The diffusion barrier can be spatial, physical, or temporal. For example, the distance around the reference electrode (e.g., from the first working electrode E1 to the second working electrode E2, around a portion of the circumference of the reference electrode R) acts as a spatial diffusion barrier. In one exemplary embodiment, the working electrodes are coated with a layer of insulating material I (e.g., non-conductive material or dielectric) to prevent direct contact between the working electrodes E1, E2 and the reference electrode R. A portion of the insulator I on an exterior surface of each working electrode is etched away, to expose the electrode's electroactive surface. In some embodiments, an enzyme solution (e.g., containing active GOx) is applied to the electroactive surfaces of both electrodes, and dried. Thereafter, the enzyme applied to one of the electroactive surfaces is inactivated. As is known in the art, enzymes can be inactivated by a variety of means, such as heat, treatment with inactivating (e.g., denaturing) solvents, proteolysis, laser irradiation or UV irradiation (e.g., at 254-320 nm). For example, the enzyme coating one of the electroactive surfaces can be inactivated by masking one of the electroactive surfaces/electrodes (e.g., E1, temporarily covered with a UV-blocking material); irradiating the sensor with UV light (e.g., 254-320 nm; a wavelength that inactivates the enzyme, such as by cross-linking amino acid residues) and removing the mask. Accordingly, the GOx on E2 is inactivated by the UV treatment, but the E1 GOx is still active due to the protective mask. In other embodiments, an enzyme solution containing active enzyme is applied to a first electroactive surface (e.g., E1) and an enzyme solution containing either inactivated enzyme or no enzyme is applied to the second electroactive surface (e.g., E2). Accordingly, the enzyme-coated first electroactive surface (e.g., E1) detects analyte-related signal and non-analyte-related signal; while the second electroactive surface (e.g., E2), which lacks active enzyme, detects non-analyte-related signal. As described herein, the sensor electronics can use the data collected from the two working electrodes to calculate the analyte-only signal.

Although this exemplary embodiment illustrates one embodiment of an integrally-formed sensor having a diffusion barrier D, one skilled in the art appreciates a variety of alternative configurations, such as but not limited to the embodiment shown in FIG. 7I. In this exemplary embodiment, the reference electrode is formed of at least two adjacent pieces shaped such that the working electrodes fill at least some space between them. The at least two pieces can be any shape known in the art, as described herein. In some embodiments, the at least two pieces are symmetrical and/or mirror images of each other, but one skilled in the art will recognize that this is not a requirement. In various embodiments, an insulating material can be coated on the working electrodes and/or the reference electrode(s) to prevent contact there between. As described elsewhere herein, the working electrodes can detect the same analyte or separate analytes, or one of the working electrodes may act as a counter electrode (e.g., auxiliary electrode). Although this exemplary embodi-

ment illustrates one example of a sensor having a reference electrode R that is formed of at least two pieces shaped such that the working electrodes fill at least some space between the pieces, one skilled in the art appreciates that a variety of sensor configurations are possible. For example, the reference electrode can be formed of three or more pieces. In other example, the sensor can be configured with more than two working electrodes (e.g., 3, 4, or 5 working electrodes, or more).

FIG. 7J is a schematic view of an integrally formed sensor in yet another embodiment. In this exemplary embodiment, the reference electrode R is formed in any desired extruded geometry, such as an approximate X-shape. Two or more working electrodes E1, E2 are disposed on substantially opposing sides of the reference electrode, with a diffusion barrier D between them. In this embodiment, the diffusion barrier is a physical diffusion barrier, namely the distance between the two working electrodes (e.g., around the reference electrode). In some embodiments, the electrodes are bundled and held together by a wrapping of wire or fiber. In other embodiments, the electrodes are twisted around the lengthwise axis of the extruded X-shaped reference electrode, to form a coaxial sensor. Although this exemplary embodiment illustrates an integrally formed sensor, one skilled in the art appreciates a variety of alternative configurations. For example, furthering some embodiments, three or four working electrodes can be disposed around the reference electrode (e.g., in the indentations between the legs/arms of the X-shaped electrode). In other embodiments, the reference electrode can be Y-shapes, star-shaped, flower-shaped, scalloped, or any other convenient shape with multiple substantially isolated sides. In some embodiments, an insulating material I takes the place of the reference electrode of FIG. 7J, which is remotely located. In an alternative embodiment, a working electrode is replaced with a counter electrode. As described elsewhere herein, the sensor components are bifunctional. Namely, the electrodes and reference electrode provide electrical conduction and the sensor's structure. The reference electrode (or insulating material) provides a physical diffusion barrier D. In addition to providing shape to the sensor, the insulating material acts as insulator by preventing direct electrical contact between the electrodes. Similarly, the materials selected to construct the sensor determine the sensor's flexibility. As described elsewhere, active enzyme is applied to the electroactive surface of at least one working electrode (e.g., E1). In some embodiments, no enzyme (or inactivated enzyme) is applied to the electroactive surface of a second working electrode (e.g., E2). In an alternative embodiment, a second enzyme is applied to the second working electrode (e.g., E2) such that the sensor can measure the signals of two different analytes (e.g., glucose and aureate or oxygen). FIG. 7K is a schematic of a sensor in another embodiment. In some preferred embodiments, the sensor is configured to be integrally formed of two working electrodes. In this exemplary embodiment, the sensor includes two electrodes E1, E2 (e.g., metal wires), wherein each electrode is coated with a non-conductive material I (e.g., and insulator). As is shown in FIG. 7K, the first working electrode E1 formed within the insulator I leaving space for an enzyme. For example, an enzyme solution 702 (e.g., GOx for detecting glucose) is disposed within the space 701. In contrast, the second working electrode E2 extends substantially flush with the insulator I. A membrane system 703 coats the electrodes. A diffusion barrier D separates the working electrodes. In some embodiments, the first and second electrodes are separated by a distance D that substantially prevents diffusion of H₂O₂ from the first electrode (e.g., with active enzyme) to the

second electrode (e.g., without active enzyme). Although this exemplary embodiment illustrates one integrally formed sensor, one skilled in the art appreciates a variety of alternative configurations. For example, the use of more than two working electrodes and wrapping the construct with a reference electrode wire R or disposing the reference electrode remotely from the sensor.

FIG. 7L is a schematic of a sensor in one embodiment. In some preferred embodiments, the sensor is designed to be integrally formed. In this exemplary embodiment, two electrodes E1, E2 are embedded within an insulator I. The sensor can be formed by embedding conductive wires within a dielectric, curing the dielectric and then cutting sensors of the desired length. The cut end provides the exposed electroactive electrode surfaces and can be polished or otherwise treated. Although this exemplary embodiment illustrates one integrally formed sensor, one skilled in the art appreciates a variety of alternative configurations. For example, additional electrode wires can be embedded in the dielectric material. In another example, a reference electrode (e.g., wire or cylinder) can be coiled or wrapped around the sensor (e.g., on the surface of the insulator). Alternatively, as described elsewhere herein, the reference electrode can be disposed remotely from the working electrodes E1, E2, such as on the host's skin or on another portion of the sensor. One advantage of this configuration is that it is relatively simple to embed electrode wires in a long cylinder of insulating material and then cut the sensors to any desired size and/or shape.

FIG. 7M is a schematic cross-sectional view of a sensor having multiple working and reference electrodes, in one embodiment. In some preferred embodiments, the sensor is integrally formed. In this exemplary embodiment, the sensor includes a plurality of working electrodes (e.g., E1, E2, E3) that are layered with a plurality of reference electrodes (e.g., R1, R2, Rn). In some embodiments, the working electrodes are coated with an insulating material to prevent direct contact with adjacent reference electrodes. In some embodiments, the reference electrodes are also coated with insulative material. In some embodiments, layers of insulating material separate the layers. In some embodiments, at least one of the working electrodes is a counter electrode. As described herein, in some embodiments, electroactive surfaces are exposed on one or more electrodes, such as by stripping away a portion of an insulating coating, such as on the sides of the sensor. In other embodiments, an extended electrode structure (e.g., a long sandwich of electrode layers) that is cut to the desired length, and the cut end includes the exposed electroactive surfaces of the electrodes. An enzyme layer can be applied to one or more of the electroactive surfaces, as described herein. Depending upon the desired sensor function, the working electrodes can be configured to detect the same analyte (e.g., all electroactive surfaces coated with GOx glucose) or different analytes (e.g., one working electrode detects glucose, another detects oxygen and the third detects ureate), as described herein. Although this exemplary embodiment illustrates a sensor having a plurality of working and reference electrodes, one skilled in the art appreciates a variety of alternative configurations. For example, in some embodiments, the electrodes can be of various sizes, depending upon their purpose. For example, in one sensor, it may be preferred to use a 3 mm oxygen electrode, a 10 mm glucose electrode and a 4 mm counter electrode, all separated by reference electrodes. In another embodiment, each reference electrode can be functionally paired with a working electrode. For example, the electrodes can be pulsed on and off, such that a first reference electrode R1 is active only when the first working electrode E1 is active, and a second reference elec-

trode R2 is active only when the second working electrode E2 is active. In another embodiment, a flat sensor (e.g., disk-shaped) can be manufactured by sandwiching reference electrodes between working electrodes, cutting the sandwich into a cylinder, and the cutting the cylinder cross-wise (perpendicularly or at an angle) into disks.

FIG. 7N is a schematic cross-sectional view of the manufacture of an integrally formed sensor, in one embodiment. In some preferred embodiments, at least two working electrodes (E1, E2) and optionally a reference electrode R are embedded in a quantity 704 of insulating material I. The working electrodes are separated by a diffusion barrier D. After the insulator has been cured (e.g., vulcanized or solidified) the structure is shaped (e.g., carved, scraped or cut etc.) to the final sensor shape 705, such that excess insulation material is removed. In some embodiments, multiple sensors can be formed as an extended structure of electrode wires embedded in insulator, which is subsequently cut to the desired length, wherein the exposed electrode ends (e.g., at the cut surface) become the electroactive surfaces of the electrodes. In other embodiments, portions of the insulator adjacent to the electrodes (e.g., windows) can be removed (e.g., by cutting or scraping, etc.) to expose the electroactive surfaces. Depending upon the sensor's configuration and purpose, an enzyme solution can be applied to one or more of the electroactive surfaces, as described elsewhere herein. Although this exemplary embodiment illustrates one technique of manufacturing a sensor having insulation-embedded electrodes, one skilled in the art appreciates a variety of alternative configurations. For example, a diffusion barrier D, can comprise both the reference electrode R and the insulating material I, or only the reference electrode. In another example, windows exposing the electroactive surfaces can be formed adjacent to each other (e.g., on the same side of the reference electrode) or on opposite sides of the reference electrode. Still, in other embodiments, more working or reference electrodes can be included, and the working and reference electrodes can be of relatively larger or smaller size, depending upon the sensor's configuration and operating requirements (e.g., voltage and/or current requirements).

FIGS. 8A and 8B are schematic views of a sensor in yet another embodiment. FIG. 8A is a view of the cross-section and side of an in vivo portion of the sensor. FIG. 8B is a side view of the ex vivo portion of the sensor (e.g., the portion that is connected to the sensor electronics, as described elsewhere herein). Namely, two working electrodes E1, E2 that are coated with insulator I and then disposed on substantially opposing sides of a reference electrode R, such as a silver or silver/silver chloride electrode (see FIG. 8A). The working electrodes are separated by a diffusion barrier D that can include a physical barrier (provided by the reference electrode and/or the insulating material coatings), a spatial barrier (provided by staggering the electroactive surfaces of the working electrodes), or a temporal barrier (provided by oscillating the potentials between the electrodes). In some embodiments, the reference electrode R has a surface area at least 6-times the surface area of the working electrodes. Additionally, the reference electrode substantially can act as a spatial diffusion barrier between the working electrodes due to its larger size (e.g., the distance across the reference electrode, from one working electrode to another).

The electrodes can be held in position by wrapping with wire or a non-conductive fiber, a non-conductive sheath, a biointerface membrane coating, or the like. The electroactive surfaces of the working electrodes are exposed. In some embodiments, the end of the sensor is cut off, to expose the ends of the wires. In other embodiments, the ends of the wires

are coated with insulating material; and the electroactive surfaces are exposed by removing a portion of the insulating material (e.g., a window **802** cut into the side of the insulation coating the electrode). In some embodiments, the windows exposing the electroactive surfaces of the electrodes can be staggered (e.g., spaced such that one or more electrodes extends beyond the other one or more electrodes), symmetrically arranged or rotated to any degree; for example, to substantially prevent diffusion of electroactive species from one working electrode (e.g., **802a**) to the other working electrode (e.g., **802b**), as will be discussed in greater detail elsewhere herein. In various embodiments, the reference electrode is not coated with a nonconductive material. The reference electrode can have a surface area that is at least 6 times the surface area of the exposed working electrode electroactive surfaces. In some embodiments, the reference electrode R surface area is 7-10 times (or larger) than the surface area of the working electrode electroactive surfaces. In still other embodiments, the reference electrode can be only 1-5 times the surface area of working electrode electroactive surfaces (e.g., $(E1+E2) \times 1=R$ or $(E1+E2) \times 2=R$, etc.).

The ex vivo end of the sensor is connected to the sensor electronics (not shown) by electrical connectors **804a**, **804b**, **804c**. In some embodiments, the ex vivo end of the sensor is stepped. For example, the ex vivo end of the reference electrode R terminates within electrical connector **804a**. The ex vivo end of the first working electrode E1 is exposed (e.g., nonconductive material removed therefrom) and terminates a small distance past the reference electrode R, within electrical connector **804b**. Similarly, the ex vivo end of the second working electrode E2 is exposed (e.g., nonconductive material removed therefrom) and terminates a small distance past the termination of the first working electrode E1, within electrical connector **804c**.

Although this exemplary embodiment illustrates one configuration of an integrally formed sensor, one skilled in the art appreciates a variety of alternative configurations. For example, in some embodiments, a portion of the in vivo portion of the sensor can be twisted and/or stepped. More working, reference, and/or counter electrodes, as well as insulators, can be included. The electrodes can be of relatively larger or smaller size, depending upon the sensor's intended function. In some embodiments, the electroactive surfaces can be staggered. In still other embodiments, the reference electrode can be disposed remotely from the sensor, as described elsewhere herein. For example, the reference electrode shown in FIG. **8A** can be replaced with a non-conductive support and the reference electrode disposed on the host's skin.

With reference to the ex vivo portion of the sensor, one skilled in the art appreciates additional alternative configurations. For example, in one embodiment, a portion of the ex vivo portion of the sensor can be twisted or coiled. In some embodiments, the working and reference electrodes can be of various lengths and configurations not shown in FIG. **8B**. For example, the reference electrode R can be the longest (e.g., connect to electrical contact **804c**) and the first second working electrode E2 can be the shortest (e.g., connect to electrical contact **804a**). In other embodiments, the first working electrode E1 may be either the longest electrode (e.g., connect to electrical contact **804c**) or the shortest electrode (e.g., connect to electrical contact **804a**).

FIG. **9A** is a schematic view that illustrates yet another exemplary embodiment of an integrally formed analyte sensor. Namely, two working electrodes E1, E2 are bundled together and substantially encircled with a cylindrical silver or silver/silver chloride reference electrode R (or the like).

The reference electrode can be crimped at a location **902**, to prevent movement of the working electrodes E1, E2 within the reference electrode R cylinder. In alternative embodiments, a reference electrode can be rolled or coiled around the working electrodes E1, E2, to form the reference electrode R. Preferably, the working electrodes are at least partially insulated as described in more detail elsewhere herein; such as by coating with a non-conductive material, such as but not limited to Parylene. One skilled in the art appreciates that a variety of alternative configurations are possible.

FIG. **9B** illustrates another embodiment of an integrally formed analyte sensor. Namely, two working electrodes E1, E2 are bundled together with a silver or silver/silver chloride wire reference electrode R coiled there around. The reference electrode can be coiled tightly, to prevent movement of the working electrodes E1, E2 within the reference electrode R coil.

Referring again to FIGS. **9A** to **9B**, near the tip of the in vivo portion of the sensor, windows **904a** and **904b** are formed on the working electrodes E1, E2. Portions of the non-conductive material (e.g., insulator) coating each electrode is removed to form windows **904a** and **904b**. The electroactive surfaces of the electrodes are exposed via windows **904a** and **904b**. As described elsewhere herein, the electrode electroactive surfaces exposed through windows **904a** and **904b** are coated with a membrane system. An active enzyme (e.g., GOx is used if glucose is the analyte) is disposed within or beneath or within the membrane covering one of the windows (e.g., **904a** or **904b**). The membrane covering the other window can include inactivated enzyme (e.g., GOx inactivated by heat, solvent, UV or laser irradiation, etc., as described herein) or no enzyme. The electrode having active enzyme detects a signal related to the analyte concentration and non-analyte related signal (e.g., due to background, etc.). In contrast, the electrode having inactive enzyme or no enzyme detects substantially only the non-analyte related signal. These signals are transmitted to sensor electronics (discussed elsewhere herein) to calculate an analyte concentration based on only the signal component related to only the analyte (described elsewhere herein).

In general, the windows **904a** and **904b** are separated or staggered by a distance D, which is selected to be sufficiently large that electroactive species (e.g., H_2O_2) do not substantially diffuse from one window to the other (e.g., from **904a** to **904b**). In an exemplary embodiment of a glucose-oxidase-based sensor, active enzyme is included in the membrane covering window **904a** and inactive enzyme is included in the membrane covering window **904b**. Distance D is configured to be large enough that H_2O_2 cannot diffuse from window **904a** to window **904b**, which lacks active enzyme (as discussed elsewhere herein). In some embodiments, the distance D is at least about 0.020 inches or less to about 0.120 inches or more. In some embodiments, D is at least about 0.030 to about 0.050 inches. In other embodiments, D is at least about 0.090 to about 0.095 inches. One skilled in the art appreciates alternative embodiments of the diffusion barrier D. Namely, the diffusion barrier D can be spatial (discussed herein with relation to FIGS. **9A** and **9B**), physical or temporal (see discussion of Diffusion Barriers herein and FIG. **10**). In some embodiments, a physical diffusion barrier D, such as but not limited to an extended non-conductive structure placed between the working electrodes (e.g., FIG. **8A**), substantially prevents diffusion of H_2O_2 from one working electrode (having active enzyme) to another working electrode (having no active enzyme). In other embodiments, a temporal diffusion

barrier D is created by pulsing or oscillating the electrical potential, such that only one working electrode is activated at a time.

In various embodiments, one of the windows **904a** or **904b** comprises an enzyme system configured to detect the analyte of interest (e.g., glucose or oxygen). The other window comprises no active enzyme system (e.g., wherein the enzyme system lacks enzyme or wherein the enzyme has been de-activated). In some embodiments, wherein the “enzyme system lacks enzyme,” a layer may be applied, similar to an active enzyme layer, but without the actual enzyme included therein. In some embodiments, wherein “the enzyme has been de-activated” the enzyme can be inactivated (e.g., by heat or solvent) prior to addition to the enzyme system solution or the enzyme can be inactivated after application to the window.

In one exemplary embodiment, an enzyme is applied to both windows **904a** and **904b** followed by deactivation of the enzyme in one window. For example, one window can be masked (e.g., to protect the enzyme under the mask) and the sensor then irradiated (to deactivate the enzyme in the unmasked window). Alternatively, one of the enzyme-coated windows (e.g., the first window but not the second window) can be sprayed or dipped in an enzyme-deactivating solvent (e.g., treated with a protic acid solution such a hydrochloric acid or sulfuric acid). For example, a window coated with GOx can be dipped in dimethyl acetamide (DMAC), ethanol, or tetrahydrofuran (THF) to deactivate the GOx. In another example, the enzyme-coated window can be dipped into a hot liquid (e.g., water or saline) to deactivate the enzyme with heat.

In these embodiments, the design of the active and inactive enzyme window is at least partially dependent upon the sensor’s intended use. In some embodiments, it is preferred to deactivate the enzyme coated on window **904a**. In other embodiments, it is preferred to deactivate the enzyme coated on window **904b**. For example, in the case of a sensor to be used in a host’s blood stream, the choice depends upon whether the sensor will be inserted pointing upstream (e.g., against the blood flow) or pointing downstream (e.g., with the blood flow).

In one exemplary embodiment, an intravascular sensor is inserted into the host’s vein pointing upstream (against the blood flow), an enzyme coating on electrode E1 (window **904a**) is inactivated (e.g., by dipping in THF and rinsing) and an enzyme coating on electrode E2 (in window **904b**) is not inactivated (e.g., by not dipping in THF). Because the enzyme on the first electrode E1 (e.g., in window **904a**) is inactive, electroactive species (e.g., H₂O₂) will not be substantially generated at window **904a** (e.g., the first electrode E1 generates substantially no H₂O₂ to effect the second electrode E2). In contrast, the active enzyme on the second electrode E2 (in window **904b**) generates H₂O₂ which at least partially diffuses down stream (away from the windows) and thus has no effect on the first electrode E1, other features and advantages of spatial diffusion barriers are described in more detail elsewhere herein.

In another exemplary embodiment, an intravascular sensor is inserted into the host’s vein pointing downstream (with the blood flow), the enzyme coating on electrode E1 (window **904a**) is active and the enzyme coating on electrode E2 (in window **904b**) is inactive. Because window **904a** is located farther downstream than window **904b**, the H₂O₂ produced by the enzyme in **904a** diffuses downstream (away from window **904b**), and therefore does not affect substantially electrode E2. In a preferred embodiment, the enzyme is GOx, and the sensor is configured to detect glucose. Accordingly,

H₂O₂ produced by the GOx in window **904a** does not affect electrode E2, because the sensor is pointing downstream and the blood flow carries away the H₂O₂ produced on electrode E1.

FIGS. **9A** and **9B** illustrate two embodiments of a sensor having a stepped second end (e.g., the back end, distal end or ex vivo end, described with reference to FIG. **8B**) that connects the sensor to the sensor electronics. Namely, each electrode terminates within an electrical connector **804** such as but not limited to an elastomeric electrical connector. Additionally, each electrode is of a different length, such that each electrode terminates within one of a plurality of sequential electrical connectors. For example, with reference to FIG. **9A**, the reference electrode R is the shortest in length and terminates within the first electrical connector **804**. The first working electrode E1 is longer than the reference electrode R, and terminates within the second electrical connector **804**. Finally, the second working electrode E2 is the longest electrode and terminates within the third electrical connector **804**. One skilled in the art appreciates that other configurations are possible. For example, the first working electrode E1 can be longer than the second working electrode E2. Accordingly, the second working electrode E2 would terminate within the second (e.g., middle) electrical connector **804** and the first working electrode E1 would terminate within the third (e.g., last) electrical connector **804**. With reference to FIG. **9B**, additional stepped second end configurations are possible. In alternative embodiments, the second ends of the sensor may be separated from each other to connect to non-parallel, non-sequential electrical connectors.

FIG. **11** is a schematic view of a sensor in yet another embodiment. In preferred embodiments, the sensor is integrally formed, coaxial, and has a stepped ex vivo end (e.g., back or second end). Electrodes E1, E2 and E3 are twisted to form a helix, such as a triple helix. Additionally, at the back end of the sensor, the electrodes are stepped and each electrode is individually connected to the sensor electronics by an electrical connector **804**. At each electrode’s second end, the electrode engages an electrical connector **804** that joins the electrode to the sensor electronics. For example, the second end of electrode E1 electrically connects electrical connector **1106**. Similarly, the second end of electrode E2 electrically connects electrical connector **1108** and the second end of electrode E3 electrically connects electrical connector **1110**. As described elsewhere herein, each sensor component is difunctional, and provides electrical conductance, structural support, a diffusion barrier, or insulation (see description elsewhere herein). Although this exemplary embodiment illustrates an integrally formed, coaxial sensor having a stepped back end, one skilled in the art appreciates a variety of alternative configurations. For example, one of the electrodes E1, E2 or E3 can be a reference electrode, or the reference electrode can be disposed remotely from the sensor, such as but not limited to on the host’s skin. In another example, the sensor can have only two electrodes or more than three electrodes.

One skilled in the art recognizes a variety of alternative configurations for the embodiments described herein. For example, in any embodiment of an analyte sensor, the reference electrode (and optionally a counter electrode) can be disposed remotely from the working electrodes. For example, in FIGS. **7A1** through **9B** and FIG. **11**, the reference electrode R can be replaced with a non-conductive material, such as an insulator I. Depending upon the sensor’s configuration and location of use, the reference electrode R can then be inserted into the host in a location near to the sensor, applied to the host’s skin, be disposed within a fluid connector, be disposed

on the ex-vivo portion of the sensor or even disposed on the exterior of the sensor electronics.

FIG. 7L illustrates an embodiment in which the reference and/or counter electrode is located remotely from the first and second working electrodes E1 and E2, respectively. In one exemplary embodiment, the sensor is a needle-type sensor such as described with reference to FIG. 1B, and the working electrodes E1, E2 are integrally formed together with a substantially X-shaped insulator I and the reference electrode (and/or counter electrode) is placed on the host's skin (e.g., a button, plate, foil or wire, such as under the housing) or implanted transcutaneously in a location separate from the working electrodes.

As another example, in one embodiment of a sensor configured to measure a host's blood, such as described in co-pending U.S. patent application Ser. Nos. 11/543,396, 11/543,490, and 11/543,404 [Pub. Nos. 2008-0119703 A1, 2008-0119704 A1, 2008-0119706 A1], entitled "Analyte sensor" and filed Oct. 4, 2006, and which is incorporated herein by reference in its entirety; one or more working electrodes can be inserted into the host's blood via a catheter and the reference and/or counter electrode can be placed within the a fluid connector (on the sensor) configured to be in fluid communication with the catheter; in such an example, the reference and/or counter electrode is in contact with fluid flowing through the fluid connector but not in direct contact with the host's blood. In still other embodiments, the reference and/or counter electrodes can be placed exterior to the sensor, in bodily contact for example.

With reference to the analyte sensor embodiments disclosed herein, the surface area of the electroactive portion of the reference (and/or counter) electrode is at least six times the surface area of one or more working electrodes. In other embodiments, the reference (and/or counter) electrode surface is 1, 2, 3, 4, 5, 7, 8, 9 or 10 times the surface area of the working electrodes. In other embodiments, the reference (and/or counter) electrode surface area is 11, 12, 13, 14, 15, 16, 17, 18, 19 or 20 times the surface area of the working electrodes. For example, in a needle-type glucose sensor, similar to the embodiment shown in FIG. 1B, the surface area of the reference electrode (e.g., 18 or 20) includes the exposed surface of the reference electrode, such as but not limited to the electrode surface facing away from the working electrode 16.

In various embodiments, the electrodes can be stacked or grouped similar to that of a leaf spring configuration, wherein layers of electrode and insulator (or individual insulated electrodes) are stacked in offset layers. The offset layers can be held together with bindings of non-conductive material, foil, or wire. As is appreciated by one skilled in the art, the strength, flexibility, and/or other material property of the leaf spring-configured or stacked sensor can be either modified (e.g., increased or decreased), by varying the amount of offset, the amount of binding, thickness of the layers, and/or materials selected and their thicknesses, for example.

In some embodiments, the sensor (e.g., a glucose sensor) is configured for implantation into the host. For example, the sensor may be wholly implanted into the host, such as but not limited to in the host's subcutaneous tissue (e.g., the embodiment shown in FIG. 1A). In other embodiments, the sensor is configured for transcutaneous implantation in the host's tissue. For example, the sensor can have a portion that is inserted through the host's skin and into the underlying tissue, and another portion that remains outside the host's body (e.g., such as described in more detail with reference to FIG. 1B). In still other embodiments, the sensor is configured for indwelling in the host's blood stream. For example, a needle-type

sensor can be configured for insertion into a catheter dwelling in a host's vein or artery. In another example, the sensor can be integrally formed on the exterior surface of the catheter, which is configured to dwell within a host's vein or artery. Examples of indwelling sensors can be found in co-pending U.S. patent application Ser. Nos. 11/543,396, 11/543,490, and 11/543,404 [Pub. Nos. 2008-0119703 A1, 2008-0119704 A1, 2008-0119706 A1], entitled "Analyte sensor" and filed Oct. 4, 2006. In various embodiments, the in vivo portion of the sensor can take alternative configurations, such as but not limited to those described in more detail with reference to FIGS. 7A-9B and 11.

In preferred embodiments, the analyte sensor substantially continuously measures the host's analyte concentration. In some embodiments, for example, the sensor can measure the analyte concentration every fraction of a second, about every fraction of a minute or every minute. In other exemplary embodiments, the sensor measures the analyte concentration about every 2, 3, 4, 5, 6, 7, 8, 9, or 10 minutes. In still other embodiments, the sensor measures the analyte concentration every fraction of an hour, such as but not limited to every 15, 30 or 45 minutes. Yet in other embodiments, the sensor measures the analyte concentration about every hour or longer. In some exemplary embodiments, the sensor measures the analyte concentration intermittently or periodically. In one preferred embodiment, the analyte sensor is a glucose sensor and measures the host's glucose concentration about every 4-6 minutes. In a further embodiment, the sensor measures the host's glucose concentration every 5 minutes.

In one exemplary embodiment, the analyte sensor is a glucose sensor having a first working electrode configured to generate a first signal associated with both glucose and non-glucose related electroactive compounds that have a first oxidation potential. Non-glucose related electroactive compounds can be any compound, in the sensor's local environment that has an oxidation potential substantially overlapping with the oxidation potential of H_2O_2 , for example. While not wishing to be bound by theory, it is believed that the glucose-measuring electrode can measure both the signal directly related to the reaction of glucose with GOx (produces H_2O_2 that is oxidized at the working electrode) and signals from unknown compounds that are in the extracellular milieu surrounding the sensor. These unknown compounds can be constant or non-constant (e.g., intermittent or transient) in concentration and/or effect. In some circumstances, it is believed that some of these unknown compounds are related to the host's disease state. For example, it is known that blood chemistry changes dramatically during/after a heart attack (e.g., pH changes, changes in the concentration of various blood components/protein, and the like). Other compounds that can contribute to the non-glucose related signal are believed to be related to the wound healing process that is initiated by implantation/insertion of the sensor into the host, which is described in more detail with reference to co-pending U.S. patent application Ser. No. 11/503,367 filed Aug. 10, 2006 and entitled "ANALYTE SENSOR," which is incorporated herein by reference in its entirety. For example, transcutaneously inserting a needle-type sensor initiates a cascade of events that includes the release of various reactive molecules by macrophages.

In some embodiments, the glucose sensor includes a second (e.g., auxiliary) working electrode that is configured to generate a second signal associated with non-glucose related electroactive compounds that have the same oxidation potential as the above-described first working electrode (e.g., para supra). In some embodiments, the non-glucose related electroactive species includes at least one of interfering species,

non-reaction-related H_2O_2 , and other electroactive species. For example, interfering species includes any compound that is not directly related to the electrochemical signal generated by the glucose-GOx reaction, such as but not limited to electroactive species in the local environment produces by other bodily processes (e.g., cellular metabolism, wound healing, a disease process, and the like). Non-reaction-related H_2O_2 includes H_2O_2 from sources other than the glucose-GOx reaction, such as but not limited to H_2O_2 released by nearby cells during the course of the cells' metabolism, H_2O_2 produced by other enzymatic reactions (e.g., extracellular enzymes around the sensor or such as can be released during the death of nearby cells or such as can be released by activated macrophages), and the like. Other electroactive species includes any compound that has an oxidation potential similar to or overlapping that of H_2O_2 .

The non-analyte (e.g., non-glucose) signal produced by compounds other than the analyte (e.g., glucose) obscured the signal related to the analyte, contributes to sensor inaccuracy, and is considered background noise. As described in greater detail in the section entitled "Noise Reduction," background noise includes both constant and non-constant components and must be removed to accurately calculate the analyte concentration. While not wishing to be bound by theory, it is believed that the sensor of the preferred embodiments are designed (e.g., with symmetry, coaxial design and/or integral formation) such that the first and second electrodes are influenced by substantially the same external/environmental factors, which enables substantially equivalent measurement of both the constant and non-constant species/noise. This advantageously allows the substantial elimination of noise (including transient biologically related noise that has been previously seen to affect accuracy of sensor signal due to its transient and unpredictable behavior) on the sensor signal (using electronics described elsewhere herein) to substantially reduce or eliminate signal effects due to noise, including non-constant noise (e.g., unpredictable biological, biochemical species or the like) known to effect the accuracy of conventional continuous sensor signals. Preferably, the sensor includes electronics operably connected to the first and second working electrodes. The electronics are configured to provide the first and second signals that are used to generate glucose concentration data substantially without signal contribution due to non-glucose-related noise. Preferably, the electronics include at least a potentiostat that provides a bias to the electrodes. In some embodiments, sensor electronics are configured to measure the current (or voltage) to provide the first and second signals. The first and second signals are used to determine the glucose concentration substantially without signal contribution due to non-glucose-related noise such as by but not limited to subtraction of the second signal from the first signal or alternative data analysis techniques. In some embodiments, the sensor electronics include a transmitter that transmits the first and second signals to a receiver, where additional data analysis and/or calibration of glucose concentration can be processed. U.S. Publication Nos. US-2005-0027463-A1, US-2005-0203360-A1 and US-2006-0036142-A1 describe systems and methods for processing sensor analyte data and are incorporated herein by reference in their entirety.

In preferred embodiments, the sensor electronics (e.g., electronic components) are operably connected to the first and second working electrodes. The electronics are configured to calculate at least one analyte sensor data point. For example, the electronics can include a potentiostat, A/D converter, RAM, ROM, transmitter, and the like. In some embodiments, the potentiostat converts the raw data (e.g., raw

counts) collected from the sensor to a value familiar to the host and/or medical personnel. For example, the raw counts from a glucose sensor can be converted to milligrams of glucose per deciliter of glucose (e.g., mg/dl). In some embodiments, the electronics are operably connected to the first and second working electrodes and are configured to process the first and second signals to generate a glucose concentration substantially without signal contribution due to non-glucose noise artifacts. The sensor electronics determine the signals from glucose and non-glucose related signal with an overlapping measuring potential (e.g., from a first working electrode) and then non-glucose related signal with an overlapping measuring potential (e.g., from a second electrode). The sensor electronics then use these data to determine a substantially glucose-only concentration, such as but not limited to subtracting the second electrode's signal from the first electrode's signal, to give a signal (e.g., data) representative of substantially glucose-only concentration, for example. In general, the sensor electronics may perform additional operations, such as but not limited to data smoothing and noise analysis.

Bifunctionality

In some embodiments, the components of at least a portion (e.g., the in vivo portion or the sensing portion) of the sensor possess bifunctional properties (e.g., provide at least two functions to the sensor). These properties can include electrical conductance, insulative properties, structural support, and diffusion barrier properties.

In one exemplary embodiment, the analyte sensor is designed with two working electrodes, a membrane system and an insulating material disposed between the working electrodes. An active enzymatic membrane is disposed above the first working electrode, while an inactive- or non-enzymatic membrane is disposed above the second working electrode. Additionally, the working electrodes and the insulating material are configured provide at least two functions to the sensor, including but not limited to electrical conductance, insulative properties, structural support, and diffusion barrier. For example, in one embodiment of a glucose sensor, the two working electrodes support the sensor's structure and provide electrical conductance; the insulating material provides insulation between the two electrodes and provides additional structural support and/or a diffusional barrier.

In some embodiments, a component of the sensor is configured to provide both electrical conductance and structural support. In an exemplary embodiment, the working electrode(s) and reference electrode are generally manufactured of electrically conductive materials, such as but not limited silver or silver/silver chloride, copper, gold, platinum, iridium, platinum-iridium, palladium, graphite, carbon, conductive polymers, alloys, and the like. Accordingly, the electrodes are both conductive and they give the sensor its shape (e.g., are supportive).

Referring to FIG. 1B, all three electrodes **16**, **18**, and **20** are manufactured from plated insulator, a plated wire, or electrically conductive material, such as but not limited to a metal wire. Accordingly, the three electrodes provide both electrical conductance (to measure glucose concentration) and structural support. Due to the configuration of the electrodes (e.g., the wires are about 0.001 inches in diameter or less, to about 0.01 inches or more), the sensor is needle-like and only about 0.003 inches or less to about 0.015 inches or more.

Similarly, the electrodes of FIG. 7A through FIG. 9 provide electrical conductance, to detect the analyte of interest, as well as structural support for the sensor. For example, the sensors depicted in FIGS. 7A through 7L embodiments that are substantially needle-like. Additionally, these sensors are

substantially resilient, and therefore able to flex in response to mechanical pressure and then to regain their original shapes. FIG. 7M depicts a cross-section of another sensor embodiment, which can be a composite (e.g., built up of layers of working and reference electrode materials) needle-like sensor or the composite "wire" can be cut to produce pancake-shaped sensors. FIG. 7N through FIG. 9 illustrate additional sensor embodiments, wherein the electrodes provide electrical conductance and support the sensor's needle-like shape.

In some embodiments, the first and second working electrodes are configured to provide both electrical conductance and structural support. For example, in a needle-type sensor, the working electrodes are often manufactured of bulk metal wires (e.g., copper, gold, platinum, iridium, platinum-iridium, palladium, graphite, carbon, conductive polymers, alloys, and the like). The reference electrode, which can function as a reference electrode alone, or as a dual reference and counter electrode, are formed from silver or silver/silver chloride, or the like. The metal wires are conductive (e.g., can conduct electricity) and give the sensor its shape and/or structural support. For example, one electrode metal wire may be coiled around the other electrode metal wire (e.g., FIG. 1B or FIG. 7B). In a further embodiment, the sensor includes a reference electrode that is also configured to provide electrical conductance and structural support (e.g., FIG. 1B, FIGS. 7C to 7E). In general, reference electrodes are made of metal, such as bulk silver or silver/silver chloride wires. Like the two working electrodes, the reference electrode both conducts electricity and supports the structure of the sensor.

In some embodiments, the first and second working electrode and the insulating material are configured provide at least two functions, such as but not limited to electrical conductance, insulative properties, structural support, and diffusion barrier. As described elsewhere herein, the working electrodes are electrical conductors and also provide support for the sensor. The insulating material (e.g., I) acts as an insulator, to prevent electrical communication between certain parts of the various electrodes. The insulating material also provides structural support or substantially prevents diffusion of electroactive species from one working electrode to the other, which is discussed in greater detail elsewhere herein.

In preferred embodiments, the sensor has a diffusion barrier disposed between the first and second working electrodes. The diffusion barrier is configured to substantially block diffusion of the analyte or a co-analyte (e.g., H_2O_2) between the first and second working electrodes. For example, a sheet of a polymer through which H_2O_2 cannot diffuse can be interposed between the two working electrodes. Diffusion barriers are discussed in greater detail elsewhere herein.

In some embodiments of the preferred embodiments, the analyte sensor includes a reference electrode that is configured to provide electrical conductance and a diffusion barrier. Electrical conductance is an inherent property of the metal used to manufacture the reference electrode. However, the reference electrode can be configured to prevent species (e.g., H_2O_2) from diffusing from the first working electrode to the second working electrode. For example, a sufficiently large reference electrode can be placed between the two working electrodes. In some embodiments, the reference electrode projects farther than the two working electrodes. In other embodiments, the reference electrode is so broad that a substantial portion of the H_2O_2 produced at the first working electrode cannot diffuse to the second working electrode, and thereby significantly affect the second working electrode's function.

In a further embodiment, the reference electrode is configured to provide a diffusion barrier and structural support. As described elsewhere herein, the reference electrode can be constructed of a sufficient size and/or shape that a substantial portion of the H_2O_2 produced at a first working electrode cannot diffuse to the second working electrode and affect the second working electrode's function. Additionally, metal wires are generally resilient and hold their shape, the reference electrode can also provide structural support to the sensor (e.g., help the sensor to hold its shape).

In some embodiments of the analyte sensor described elsewhere herein, the insulating material is configured to provide both electrical insulative properties and structural support. In one exemplary embodiment, portions of the electrodes are coated with a non-conductive polymer. Inherently, the non-conductive polymer electrically insulates the coated electrodes from each other, and thus substantially prevents passage of electricity from one coated wire to another coated wire. Additionally, the non-conductive material (e.g., a non-conductive polymer or insulating material) can stiffen the electrodes and make them resistant to changes in shape (e.g., structural changes).

In some embodiments, a sensor component is configured to provide electrical insulative properties and a diffusion barrier. In one exemplary embodiment, the electrodes are coated with the non-conductive material that substantially prevents direct contact between the electrodes, such that electricity cannot be conducted directly from one electrode to another. Due to the non-conductive coatings on the electrodes, electrical current must travel from one electrode to another through the surrounding aqueous medium (e.g., extracellular fluid, blood, wound fluid, or the like). Any non-conductive material (e.g., insulator) known in the art can be used to insulate the electrodes from each other. In exemplary embodiments, the electrodes can be coated with non-conductive polymer materials (e.g., parylene, PTFE, ETFE, polyurethane, polyethylene, polyimide, silicone and the like) by dipping, painting, spraying, spin coating, or the like.

Non-conductive material (e.g., insulator, as discussed elsewhere herein) applied to or separating the electrodes can be configured to prevent diffusion of electroactive species (e.g., H_2O_2) from one working electrode to another working electrode. Diffusion of electroactive species from one working electrode to another can cause a false analyte signal. For example, electroactive species (e.g., H_2O_2) that are created at a first working electrode having active enzyme (e.g., GOx) can diffuse to a nearby working electrode (e.g., without active GOx). When the electroactive species arrives at the second working electrode, the second electrode registers a signal (e.g., as if the second working electrode comprised active GOx). The signal registered at the second working electrode due to the diffusion of the H_2O_2 is aberrant and can cause improper data processing in the sensor electronics. For example, if the second electrode is configured to measure a substantially non-analyte related signal (e.g., background) the sensor will record a higher non-analyte related signal than is appropriate, possibly resulting in the sensor reporting a lower analyte concentration than actually is present in the host. This is discussed in greater detail elsewhere herein.

In preferred embodiments, the non-conductive material is configured to provide a diffusion barrier and structural support to the sensor. Diffusion barriers are described elsewhere herein. Non-conductive materials can be configured to support the sensor's structure. In some, non-conductive materials with relatively more or less rigidity can be selected. For example, if the electrodes themselves are relatively flexible, it may be preferred to select a relatively rigid non-conductive

material, to make the sensor stiffer (e.g., less flexible or bendable). In another example, if the electrodes are sufficiently resilient or rigid, a very flexible non-conductive material may be coated on the electrodes to bind the electrodes together (e.g., keep the electrodes together and thereby hold the sensor's shape).

Referring now to FIGS. 7C to 7J, the non-conductive material can be coated on or wrapped around the grouped or bundled electrodes, to prevent the electrodes from separating and also to prevent the electrodes from directly touching each other. For example, with reference to FIG. 7C, each electrode can be individually coated by a first non-conductive material and then bundled together. Then the bundle of individually insulated electrodes can be coated with a second layer of the first non-conductive material or with a layer or a second non-conductive material. In an embodiment of a sensor having the structure shown in FIG. 7K, each electrode E1, E2 is coated with a non-conductive material/insulator I, and then coated with a second non-conductive material 703 (e.g., instead of a biointerface membrane). Similarly, in FIG. 7L, the non-conductive material I prevents electrodes E1 and E2 from making direct contact with each other as well as giving the needle-like sensor its overall dimensions and shape.

FIG. 7N illustrates one method of configuring a sensor having a non-conductive material I that both provides electrical insulation between the electrodes E1, E2, R and provides structural support to the sensor. Namely, the electrodes are embedded in a non-conductive polymer I, which is subsequently vulcanized (704=before shaping). After vulcanization, the excess non-conductive polymer I is trimmed away (e.g., cutting or scraping, etc.) to produce a sensor having the final desired sensor shape 705=after shaping).

In some embodiments, a component of the sensor is configured to provide both insulative properties and a diffusion barrier. Diffusion barriers are discussed elsewhere herein. In one exemplary embodiment, the working electrodes are separated by a non-conductive material/insulator that is configured such that electroactive species (e.g., H_2O_2) cannot diffuse around it (e.g., from a first electrode to a second electrode). For example, with reference to the embodiment shown in FIG. 7H, the electrodes E1, E2 are placed in the grooves carved into a cylinder of non-conductive material I. The distance D from E1 to E2 (e.g., around I) is sufficiently great that H_2O_2 produced at E1 cannot diffuse to E2 and thereby cause an aberrant signal at E2.

In some preferred embodiments, in addition to two working electrodes and a non-conductive material/insulator, the sensor includes at least a reference or a counter electrode. In preferred embodiments, the reference and/or counter electrode, together with the first and second working electrodes, integrally form at least a portion of the sensor. In some embodiments, the reference and/or counter electrode is located remote from the first and second working electrodes. For example, in some embodiments, such as in the case of a transcutaneous sensor, the reference and/or counter electrodes can be located on the ex vivo portion of the sensor or reside on the host's skin, such as a portion of an adhesive patch. In other embodiments, such as in the case of an intravascular sensor, the reference and/or counter electrode can be located on the host's skin, within or on the fluid connector (e.g., coiled within the ex vivo portion of the device and in contact with fluid within the device, such as but not limited to saline) or on the exterior of the ex vivo portion of the device. In preferred embodiments, the surface area of the reference and/or counter electrode is at least six times the surface area of at least one of the first and second working electrodes. In a further embodiment, the surface area of the reference and/or

counter electrode is at least ten times the surface area of at least one of the first and second electrodes.

In preferred embodiments, the sensor is configured for implantation into the host. The sensor can be configured for subcutaneous implantation in the host's tissue (e.g., transcutaneous or wholly implantable). Alternatively, the sensor can be configured for indwelling in the host's blood stream (e.g., inserted through an intravascular catheter or integrally formed on the exterior surface of an intravascular catheter that is inserted into the host's blood stream).

In some embodiments, the sensor is a glucose sensor that has a first working electrode configured to generate a first signal associated with glucose (e.g., the analyte) and non-glucose related electroactive compounds (e.g., physiological baseline, interferents, and non-constant noise) having a first oxidation potential. For example, glucose has a first oxidation potential. The interferents have an oxidation potential that is substantially the same as the glucose oxidation potential (e.g., the first oxidation potential). In a further embodiment, the glucose sensor has a second working electrode that is configured to generate a second signal associated with noise of the glucose sensor. The noise of the glucose sensor is signal contribution due to non-glucose related electroactive compounds (e.g., interferents) that have an oxidation potential that substantially overlaps with the first oxidation potential (e.g., the oxidation potential of glucose, the analyte). In various embodiments, the non-glucose related electroactive species include an interfering species, non-reaction-related hydrogen peroxide, and/or other electroactive species.

In preferred embodiments, the glucose sensor has electronics that are operably connected to the first and second working electrodes and are configured to provide the first and second signals to generate glucose concentration data substantially without signal contribution due to non-glucose-related noise. For example, the sensor electronics analyze the signals from the first and second working electrodes and calculate the portion of the first electrode signal that is due to glucose concentration only. The portion of the first electrode signal that is not due to the glucose concentration can be considered to be background, such as but not limited to noise.

In preferred embodiments, the glucose sensor has a non-conductive material (e.g., insulative material) positioned between the first and second working electrodes. The non-conductive material substantially prevents cross talk between the first and second working electrodes. For example, the electrical signal cannot pass directly from a first insulated electrode to a second insulated electrode. Accordingly, the second insulated electrode cannot aberrantly record an electrical signal due to electrical signal transfer from the first insulated electrode.

In preferred embodiments, the first and second working electrodes and the non-conductive material integrally form at least a portion of the sensor (e.g., a glucose sensor). The first and second working electrodes integrally form a substantial portion of the sensor configured for insertion in the host (e.g., the in vivo portion of the sensor). In a further embodiment, the sensor (e.g., a glucose sensor) includes a reference electrode that, in addition to the first and second working electrodes, integrally forms a substantial portion of the sensor configured for insertion in the host (e.g., the in vivo portion of the sensor). In yet a further embodiment, the sensor (e.g., a glucose sensor) has an insulator (e.g., non-conductive material), wherein the first and second working electrodes and the insulator integrally form a substantial portion of the sensor configured for insertion in the host (e.g., the in vivo portion of the sensor).

In preferred embodiments, the sensor (e.g., a glucose sensor) includes a diffusion barrier configured to substantially

block diffusion of the analyte (e.g., glucose) or a co-analyte (e.g., H_2O_2) between the first and second working electrodes. For example, as described with reference to FIG. 10, a diffusion barrier D (e.g., spatial, physical and/or temporal) blocks diffusion of a species (e.g., glucose and/or H_2O_2) from the first working electrode E1 to the second working electrode E2. In some embodiments, the diffusion barrier D is a physical diffusion barrier, such as a structure between the working electrodes that blocks glucose and H_2O_2 from diffusing from the first working electrode E1 to the second working electrode E2. In other embodiments, the diffusion barrier D is a spatial diffusion barrier, such as a distance between the working electrodes that blocks glucose and H_2O_2 from diffusing from the first working electrode E1 to the second working electrode E2. In still other embodiments, the diffusion barrier D is a temporal diffusion barrier, such as a period of time between the activity of the working electrodes such that if glucose or H_2O_2 diffuses from the first working electrode E1 to the second working electrode E2, the second working electrode E2 will not substantially be influenced by the H_2O_2 from the first working electrode E1.

With reference to FIG. 7H, if the diffusion barrier is spatial, a distance D separates the working electrodes, such that the analyte or co-analyte substantially cannot diffuse from a first electrode E1 to a second electrode E2. In some embodiments, the diffusion barrier is physical and configured from a material that substantially prevents diffusion of the analyte or co-analyte there through. Again referring to FIG. 7H, the insulator I and/or reference electrode R is configured from a material that the analyte or co-analyte cannot substantially pass through. For example, H_2O_2 cannot substantially pass through a silver/silver chloride reference electrode. In another example, a parylene insulator can prevent H_2O_2 diffusion between electrodes. In some embodiments, wherein the diffusion barrier is temporal, the two electrodes are activated at separate, non-overlapping times (e.g., pulsed). For example, the first electrode E1 can be activated for a period of one second, followed by activating the second electrode E2 three seconds later (e.g., after E1 has been inactivated) for a period of one second.

In additional embodiments, a component of the sensor is configured to provide both a diffusional barrier and a structural support, as discussed elsewhere herein. Namely, the diffusion barrier can be configured of a material that is sufficiently rigid to support the sensor's shape. In some embodiments, the diffusion barrier is an electrode, such as but not limited to the reference and counter electrodes (e.g., FIG. 7G to 7J and FIG. 8A). In other embodiments, the diffusion barrier is an insulating coating (e.g., parylene) on an electrode (e.g., FIG. 7K to 7L) or an insulating structure separating the electrodes (e.g., FIG. 8A and FIG. 10).

One preferred embodiment provides a glucose sensor configured for insertion into a host for measuring a glucose concentration in the host. The sensor includes a first working electrode configured to generate a first signal associated with glucose and non-glucose related electroactive compounds having a first oxidation potential. The sensor also includes a second working electrode configured to generate a second signal associated with noise of the glucose sensor comprising signal contribution due to non-glucose related electroactive compounds that have an oxidation potential that substantially overlaps with the first oxidation potential (e.g., the oxidation potential of H_2O_2). Additionally, the glucose sensor includes a non-conductive material located between the first and second working electrodes. Each of the first working electrode, the second working electrode, and the non-conductive material are configured to provide at least two functions selected

from the group consisting of: electrical conductance, insulative properties, structural support, and diffusion barrier.

In some embodiments of the glucose sensor, each of the first working electrode and the second working electrode are configured to provide electrical conductance and structural support. For example, the metal plated wire of electrodes conducts electricity and helps maintain the sensor's shape. In a further embodiment, the glucose sensor includes a reference electrode that is configured to provide electrical conductance and structural support. For example, the silver/silver chloride reference electrode is both electrically conductive and supports the sensor's shape. In some embodiments of the glucose sensor includes a reference electrode that is configured to provide electrical conductance and a diffusion barrier. For example, the silver/silver chloride reference electrode can be configured as a large structure or protruding structure, which separates the working electrodes by the distance D (e.g., FIG. 7G). Distance "D" is sufficiently large that glucose and/or H_2O_2 cannot substantially diffuse around the reference electrode. Accordingly, H_2O_2 produced at a first working electrode does not substantially contribute to signal at a second working electrode. In some embodiments of the glucose sensor includes a reference electrode that is configured to provide a diffusion barrier and structural support. In some embodiments of the glucose sensor, the non-conductive material is configured to provide electrical insulative properties and structural support. For example, non-conductive dielectric materials can insulate an electrode and can be sufficiently rigid to stiffen the sensor. In still other embodiments, the non-conductive material is configured to provide electrical insulative properties and a diffusion barrier. For example, a substantially rigid, non-conductive dielectric can coat the electrodes and provide support, as shown in FIG. 7L. In other embodiments, the non-conductive material is configured to provide diffusion barrier and structural support. For example, a dielectric material can protrude between the electrodes, to act as a diffusion barrier and provide support to the sensor's shape, as shown in FIG. 10.

Noise Reduction

In another aspect, the sensor is configured to reduce noise, including non-constant non-analyte related noise with an overlapping measuring potential with the analyte. A variety of noise can occur when a sensor has been implanted in a host. Generally, implantable sensors measure a signal (e.g., counts) that generally comprises at least two components, the background signal (e.g., background noise) and the analyte signal. The background signal is composed substantially of signal contribution due to factors other than glucose (e.g., interfering species, non-reaction-related hydrogen peroxide, or other electroactive species with an oxidation potential that overlaps with the analyte or co-analyte). The analyte signal (e.g., glucose) is composed substantially of signal contribution due to the analyte. Consequently, because the signal includes these two components, a calibration is performed in order to determine the analyte (e.g., glucose) concentration by solving for the equation $y=mx+b$, where the value of b represents the background of the signal.

In some circumstances, the background is comprised of both constant (e.g., baseline) and non-constant (e.g., noise) factors. Generally, it is desirable to remove the background signal, to provide a more accurate analyte concentration to the host or health care professional.

The term "baseline" as used herein is a broad term, and is to be given its ordinary and customary meaning to a person of ordinary skill in the art (and is not to be limited to a special or customized meaning), and refers without limitation to a substantially constant signal derived from certain electroactive

compounds found in the human body that are relatively constant (e.g., baseline of the host's physiology, non-analyte related). Therefore, baseline does not significantly adversely affect the accuracy of the calibration of the analyte concentration (e.g., baseline can be relatively constantly eliminated using the equation $y=mx+b$).

In contrast, "noise" as used herein is a broad term, and is to be given its ordinary and customary meaning to a person of ordinary skill in the art (and is not to be limited to a special or customized meaning), and refers without limitation to a substantially intermittent signal caused by relatively non-constant factors (e.g., the presence of intermittent noise-causing compounds that have an oxidation potential that substantially overlaps the oxidation potential of the analyte or co-analyte and arise due to the host's ingestion, metabolism, wound healing, and other mechanical, chemical and/or biochemical factors, also non-analyte related). Noise can be difficult to remove from the sensor signal by calibration using standard calibration equations (e.g., because the background of the signal does not remain constant). Noise can significantly adversely affect the accuracy of the calibration of the analyte signal. Additionally noise, as described herein, can occur in the signal of conventional sensors with electrode configurations that are not particularly designed to measure noise substantially equally at both active and inactive electrodes (e.g., wherein the electrodes are spaced and/or non symmetrical, noise may not be equally measured and therefore not easily removed using conventional dual electrode designs).

There are a variety of ways noise can be recognized and/or analyzed. In preferred embodiments, the sensor data stream is monitored, signal artifacts are detected, and data processing is based at least in part on whether or not a signal artifact has been detected, such as described in U.S. Publication No. US-2005-0043598-A1 and co-pending U.S. application Ser. No. 11/503,367 filed Aug. 10, 2006 and entitled "ANALYTE SENSOR," herein incorporated by reference in its entirety.

Accordingly, if a sensor is designed such that the signal contribution due to baseline and noise can be removed, then more accurate analyte concentration data can be provided to the host or a healthcare professional.

One embodiment provides an analyte sensor (e.g., glucose sensor) configured for insertion into a host for measuring an analyte (e.g., glucose) in the host. The sensor includes a first working electrode disposed beneath an active enzymatic portion of a membrane on the sensor; a second working electrode disposed beneath an inactive- or non-enzymatic portion of the membrane on the sensor; and electronics operably connected to the first and second working electrode and configured to process the first and second signals to generate an analyte (e.g., glucose) concentration substantially without signal contribution due to non-glucose related noise artifacts.

Referring now to FIG. 9B, in another embodiment, the sensor has a first working electrode E1 and a second working electrode E2. The sensor includes a membrane system (not shown) covering the electrodes, as described elsewhere herein. A portion of the membrane system on the first electrode contains active enzyme, which is depicted schematically as oval 904a (e.g., active GOx). A portion of the membrane system on the second electrode is non-enzymatic or contains inactivated enzyme, which is depicted schematically as oval 904b (e.g., heat- or chemically-inactivated GOx or optionally no GOx). A portion of the sensor includes electrical connectors 804. In some embodiments, the connectors 804 are located on an ex vivo portion of the sensor. Each electrode (e.g., E1, E2, etc.) is connected to sensor electronics (not shown) by a connector 804. Since the first electrode E1 includes active GOx, it produces a first signal that is related to

the concentration of the analyte (in this case glucose) in the host as well as other species that have an oxidation potential that overlaps with the oxidation potential of the analyte or co-analyte (e.g., non-glucose related noise artifacts, noise-causing compounds, background). Since the second electrode E2 includes inactive GOx, it produces a second signal that is not substantially related to the analyte or co-analyte. Instead, the second signal is substantially related to noise-causing compounds and other background noise. The sensor electronics process the first and second signals to generate an analyte concentration that is substantially free of the non-analyte related noise artifacts. Elimination or reduction of noise (e.g., non-constant background) is attributed at least in part to the configuration of the electrodes in the preferred embodiments, e.g., the locality of first and second working electrode, the symmetrical or opposing design of the first and second working electrodes, and/or the overall sizing and configuration of the exposed electroactive portions. Accordingly, the host is provided with improved analyte concentration data, upon which he can make medical treatment decisions (e.g., if he should eat, if he should take medication or the amount of medication he should take). Advantageously, in the case of glucose sensors, since the sensor can provide improved quality of data, the host can be maintained under tighter glucose control (e.g., about 80 mg/dl to about 120 mg/dl) with a reduced risk of hypoglycemia and hypoglycemia's immediate complications (e.g., coma or death). Additionally, the reduced risk of hypoglycemia makes it possible to avoid the long-term complications of hyperglycemia (e.g., kidney and heart disease, neuropathy, poor healing, loss of eye sight) by consistently maintaining tight glucose control (e.g., about 80 mg/dl to about 120 mg/dl).

In one embodiment, the sensor is configured to substantially eliminate (e.g., subtract out) noise due to mechanical factors. Mechanical factors include macro-motion of the sensor, micro-motion of the sensor, pressure on the sensor, local tissue stress, and the like. Since both working electrodes are constructed substantially symmetrically and identically, and due to the sensor's small size, the working electrodes are substantially equally affected by mechanical factors impinging upon the sensor. For example, if a build-up of noise-causing compounds occurs (e.g., due to the host pressing upon and manipulating (e.g., fiddling with) the sensor, for example) both working electrodes will measure the resulting noise to substantially the same extent, while only one working electrode (the first working electrode, for example) will also measure signal due to the analyte concentration in the host's body. The sensor then calculates the analyte signal (e.g., glucose-only signal) by removing the noise that was measured by the second working electrode from the total signal that was measured by the first working electrode.

Non-analyte related noise can also be caused by biochemical and/or chemical factors (e.g., compounds with electroactive acidic, amine or sulfhydryl groups, urea, lactic acid, phosphates, citrates, peroxides, amino acids (e.g., L-arginine), amino acid precursors or break-down products, nitric oxide (NO), NO-donors, NO-precursors or other electroactive species or metabolites produced during cell metabolism and/or wound healing). As with noise due to mechanical factors, noise due to biochemical/chemical factors will impinge upon the two working electrodes of the preferred embodiments (e.g., with and without active GOx) about the same extent, because of the sensor's small size and symmetrical configuration. Accordingly, the sensor electronics can use these data to calculate the glucose-only signal, as described elsewhere herein.

In one exemplary embodiment, the analyte sensor is a glucose sensor that measures a first signal associated with both glucose and non-glucose related electroactive compounds having a first oxidation potential. For example, the oxidation potential of the non-glucose related electroactive compounds substantially overlaps with the oxidation potential of H_2O_2 , which is produced according to the reaction of glucose with GOx and subsequently transfers electrons to the first working electrode (e.g., E1; FIG. 10). The glucose sensor also measures a second signal, which is associated with background noise of the glucose sensor. The background noise is composed of signal contribution due to noise-causing compounds (e.g., interferents), non-reaction-related hydrogen peroxide, or other electroactive species with an oxidation potential that substantially overlaps with the oxidation potential of H_2O_2 (the co-analyte). The first and second working electrodes integrally form at least a portion of the sensor, such as but not limited to the in vivo portion of the sensor, as discussed elsewhere herein. Additionally, each of the first working electrode, the second working electrode, and a non-conductive material/insulator are configured provide at least two functions (to the sensor), such as but not limited to electrical conductance, insulative properties, structural support, and diffusion barrier (described elsewhere herein). Furthermore, the sensor has a diffusion barrier that substantially blocks diffusion of glucose or H_2O_2 between the first and second working electrodes.

Diffusion Barrier

Another aspect of the sensor is a diffusion barrier, to prevent an undesired species, such as H_2O_2 or the analyte, from diffusing between active (with active enzyme) and inactive (without active enzyme) electrodes. In various embodiments, the sensor includes a diffusion barrier configured to be physical, spatial, and/or temporal.

FIG. 10 is a schematic illustrating one embodiment of a sensor (e.g., a portion of the in vivo portion of the sensor, such as but not limited to the sensor electroactive surfaces) having one or more components that act as a diffusion barrier (e.g., prevent diffusion of electroactive species from one electrode to another). The first working electrode E1 is coated with an enzyme layer 1000 comprising active enzyme. For example, in a glucose sensor, the first working electrode E1 is coated with glucose oxidase enzyme (GOx). A second working electrode E2 is separated from the first working electrode E1 by a diffusion barrier D, such as but not limited to a physical diffusion barrier (e.g., either a reference electrode or a layer of non-conductive material/insulator). The diffusion barrier can also be spatial or temporal, as discussed elsewhere herein.

Glucose and oxygen diffuse into the enzyme layer 1000, where they react with GOx, to produce gluconate and H_2O_2 . At least a portion of the H_2O_2 diffuses to the first working electrode E1, where it is electrochemically oxidized to oxygen and transfers two electrons (e.g., $2e^-$) to the first working electrode E1, which results in a glucose signal that is recorded by the sensor electronics (not shown). The remaining H_2O_2 can diffuse to other locations in the enzyme layer or out of the enzyme layer (illustrated by the wavy arrows). Without a diffusion barrier D, a portion of the H_2O_2 can diffuse to the second working electrode E2, which results in an aberrant signal that can be recorded by the sensor electronics as a non-glucose related signal (e.g., background).

Preferred embodiments provide for a substantial diffusion barrier D between the first and second working electrodes (E1, E2) such that the H_2O_2 cannot substantially diffuse from the first working electrode E1 to the second working electrode E2. Accordingly, the possibility of an aberrant signal pro-

duced by H_2O_2 from the first working electrode E1 (at the second working electrode E2) is reduced or avoided.

In some alternative embodiments, the sensor is provided with a spatial diffusion barrier between electrodes (e.g., the working electrodes). For example, a spatial diffusion barrier can be created by separating the first and second working electrodes by a distance that is too great for the H_2O_2 to substantially diffuse between the working electrodes. In some embodiments, the spatial diffusion barrier is about 0.010 inches to about 0.120 inches. In other embodiments, the spatial diffusion barrier is about 0.020 inches to about 0.050 inches. Still in other embodiments, the spatial diffusion barrier is about 0.055 inches to about 0.095 inches. A reference electrode R (e.g., a silver or silver/silver chloride electrode) or a non-conductive material I (e.g., a polymer structure or coating such as Parylene) can be configured to act as a spatial diffusion barrier.

FIGS. 9A and 9B illustrate two exemplary embodiments of sensors with spatial diffusion barriers. In each embodiment, the sensor has two working electrodes E1 and E2. Each working electrode includes an electroactive surface, represented schematically as windows 904a and 904b, respectively. The sensor includes a membrane system (not shown). Over one electroactive surface (e.g., 904a) the membrane includes active enzyme (e.g., GOx). Over the second electroactive surface (e.g., 904b) the membrane does not include active enzyme. In some embodiments, the portion of the membrane covering the second electroactive surface contains inactivated enzyme (e.g., heat- or chemically-inactivated GOx) while in other embodiments, this portion of the membrane does not contain any enzyme (e.g., non-enzymatic). The electroactive surfaces 904a and 904b are separated by a spatial diffusion barrier that is substantially wide such that H_2O_2 produced at the first electroactive surface 904a cannot substantially affect the second electroactive surface 904b. In some alternative embodiments, the diffusion barrier can be physical (e.g., a structure separating the electroactive surfaces) or temporal (e.g., oscillating activity between the electroactive surfaces).

In another embodiment, the sensor is an indwelling sensor, such as configured for insertion into the host's circulatory system via a vein or an artery. In some exemplary embodiments, an indwelling sensor includes at least two working electrodes that are inserted into the host's blood stream through a catheter. The sensor includes at least a reference electrode that can be disposed either with the working electrodes or remotely from the working electrodes. The sensor includes a spatial, a physical, or a temporal diffusion barrier. A spatial diffusion barrier can be configured as described elsewhere herein, with reference to FIG. 7A through FIG. 8A.

FIG. 9B provides one exemplary embodiment of an indwelling analyte sensor, such as but not limited to an intravascular glucose sensor to be used from a few hours to ten days or longer. Namely, the sensor includes two working electrodes. One working electrode detects the glucose-related signal (due to active GOx applied to the electroactive surface) as well as non-glucose related signal. The other working electrode detects only the non-glucose related signal (because no active GOx is applied to its electroactive surface). H_2O_2 is produced on the working electrode with active GOx. If the H_2O_2 diffuses to the other working electrode (the no GOx electrode) an aberrant signal will be detected at this electrode, resulting in reduced sensor activity. Accordingly, it is desirable to separate the electroactive surfaces with a diffusion barrier, such as but not limited to a spatial diffusion barrier. Indwelling sensors are described in more detail in copending U.S. patent application Ser. Nos. 11/543,396, 11/543,490, and 11/543,404 [Pub. Nos. 2008-0119703 A1, 2008-0119704

A1, 2008-0119706 A1], entitled "Analyte sensor" and filed Oct. 4, 2006, herein incorporated in its entirety by reference.

To configure a spatial diffusion barrier between the working electrodes, the location of the active enzyme (e.g., GOx) is dependent upon the orientation of the sensor after insertion into the host's artery or vein. For example, in an embodiment configured for insertion upstream in the host's blood flow (e.g., against the blood flow), active GOx would be applied to electroactive surface **904b** and inactive GOx (or no GOx) would be applied to electroactive surface **904a** (e.g., upstream from **904b**, relative to the direction of blood flow). Due to this configuration, H₂O₂ produced at electroactive surface **904b** would be carrier down stream (e.g., away from electroactive surface **904a**) and thus not affect electrode E1.

Alternatively, the indwelling electrode can also be configured for insertion of the sensor into the host's vein or artery in the direction of the blood flow (e.g., pointing downstream). In this configuration, referred to as a spatial diffusion barrier, or as a flow path diffusion barrier, the active GOx can be advantageously applied to electroactive surface **904a** on the first working electrode E1. The electroactive surface **904b** on the second working electrode E2 has no active GOx. Accordingly, H₂O₂ produced at electroactive surface **904a** is carried away by the blood flow, and has no substantial effect on the second working electrode E2.

In another embodiment of an indwelling analyte sensor, the reference electrode, which is generally configured of silver/silver chloride, can extend beyond the working electrodes, to provide a physical barrier around which the H₂O₂ generated at the electrode comprising active GOx cannot pass the other working electrode (that has active GOx). In some embodiments, the reference electrode has a surface area that is at least six times larger than the surface area of the working electrodes. In other embodiments, a 2-working electrode analyte sensor includes a counter electrode in addition to the reference electrode. As is generally know in the art, the inclusion of the counter electrode allows for a reduction in the reference electrode's surface area, and thereby allows for further miniaturization of the sensor (e.g., reduction in the sensor's diameter and/or length, etc.).

FIG. 7H provides one exemplary embodiment of a spatial diffusion barrier, wherein the reference electrode/non-conductive insulating material R/I is sized and shaped such that H₂O₂ produced at the first working electrode E1 (e.g., with enzyme) does not substantially diffuse around the reference electrode/non-conductive material R/I to the second working electrode E2 (e.g., without enzyme). In another example, shown in FIG. 7J, the X-shaped the reference electrode/non-conductive material R/I substantially prevents diffusion of electroactive species from the first working electrode E1 (e.g., with enzyme) to the second working electrode E2 (e.g., without enzyme). In another embodiment, such as the sensor shown in FIG. 7A, the layer of non-conductive material I (between the electrodes) is of a sufficient length that the H₂O₂ produced at one electrode cannot substantially diffuse to another electrode. (e.g., from E1 to either E2 or E3; or from E2 to either E1 or E3, etc.).

In some embodiments, a physical diffusion barrier is provided by a physical structure, such as an electrode, insulator, and/or membrane. For example, in the embodiments shown in FIGS. 7G to 7J, the insulator (I) or reference electrode (R) act as a diffusion barrier. As another example, the diffusion barrier can be a bioprotective membrane (e.g., a membrane that substantially resists or blocks the transport of a species (e.g., hydrogen peroxide), such as CHRONOTHANE®-H (a polyetherurethaneurea based on polytetramethylene glycol, polyethylene glycol, methylene diisocyanate, and organic

amines). As yet another example, the diffusion barrier can be a resistance domain, as described in more detail elsewhere herein; namely, a semipermeable membrane that controls the flux of oxygen and an analyte (e.g., glucose) to the underlying enzyme domain. Numerous other structures and membranes can function as a physical diffusion barrier as is appreciated by one skilled in the art.

In other embodiments, a temporal diffusion barrier is provided (e.g., between the working electrodes). By temporal diffusion barrier is meant a period of time that substantially prevents an electroactive species (e.g., H₂O₂) from diffusing from a first working electrode to a second working electrode. For example, in some embodiments, the differential measurement can be obtained by switching the bias potential of each electrode between the measurement potential and a non-measurement potential. The bias potentials can be held at each respective setting (e.g., high and low bias settings) for as short as milliseconds to as long as minutes or hours. Pulsed amperometric detection (PAD) is one method of quickly switching voltages, such as described in Bisenberger, M.; Brauchle, C.; Hampp, N. A triple-step potential waveform at enzyme multisensors with thick-film gold electrodes for detection of glucose and sucrose. *Sensors and Actuators* 1995, B, 181-189, which is incorporated herein by reference in its entirety. In some embodiments, bias potential settings are held long enough to allow equilibration.

One preferred embodiment provides a glucose sensor configured for insertion into a host for measuring glucose in the host. The sensor includes first and second working electrodes and an insulator located between the first and second working electrodes. The first working electrode is disposed beneath an active enzymatic portion of a membrane on the sensor and the second working electrode is disposed beneath an inactive- or non-enzymatic portion of the membrane on the sensor. The sensor also includes a diffusion barrier configured to substantially block diffusion of glucose or hydrogen peroxide between the first and second working electrodes.

In a further embodiment, the glucose sensor includes a reference electrode configured integrally with the first and second working electrodes. In some embodiments, the reference electrode can be located remotely from the sensor, as described elsewhere herein. In some embodiments, the surface area of the reference electrode is at least six times the surface area of the working electrodes. In some embodiments, the sensor includes a counter electrode that is integral to the sensor or is located remote from the sensor, as described elsewhere herein.

In a further embodiment, the glucose sensor detects a first signal associated with glucose and non-glucose related electroactive compounds having a first oxidation potential (e.g., the oxidation potential of H₂O₂). In some embodiments, the glucose sensor also detects a second signal is associated with background noise of the glucose sensor comprising signal contribution due to interfering species, non-reaction-related hydrogen peroxide, or other electroactive species with an oxidation potential that substantially overlaps with the oxidation potential of hydrogen peroxide; the first and second working electrodes integrally form at least a portion of the sensor; and each of the first working electrode, the second working electrode and the non-conductive material/insulator are configured provide at least two functions such as but not limited to electrical conductance, insulation, structural support, and a diffusion barrier.

In further embodiments, the glucose sensor includes electronics operably connected to the first and second working electrodes. The electronics are configured to calculate at least one analyte sensor data point using the first and second sig-

nals described above. In still another further embodiment, the electronics are operably connected to the first and second working electrode and are configured to process the first and second signals to generate a glucose concentration substantially without signal contribution due to non-glucose noise artifacts.

Membrane Configurations

FIGS. 3A to 3B are cross-sectional exploded schematic views of the sensing region of a glucose sensor 10, which show architectures of the membrane system 22 disposed over electroactive surfaces of glucose sensors in some embodiments. In the illustrated embodiments of FIGS. 3A and 3B, the membrane system 22 is positioned at least over the glucose-measuring working electrode 16 and the optional auxiliary working electrode 18; however the membrane system may be positioned over the reference and/or counter electrodes 20, 22 in some embodiments.

Reference is now made to FIG. 3A, which is a cross-sectional exploded schematic view of the sensing region in one embodiment wherein an active enzyme 32 of the enzyme domain is positioned only over the glucose-measuring working electrode 16. In this embodiment, the membrane system is formed such that the glucose oxidase 32 only exists above the glucose-measuring working electrode 16. In one embodiment, during the preparation of the membrane system 22, the enzyme domain coating solution can be applied as a circular region similar to the diameter of the glucose-measuring working electrode 16. This fabrication can be accomplished in a variety of ways such as screen-printing or pad printing. Preferably, the enzyme domain is pad printed during the enzyme domain fabrication with equipment as available from Pad Print Machinery of Vermont (Manchester, Vt.). This embodiment provides the active enzyme 32 above the glucose-measuring working electrode 16 only, so that the glucose-measuring working electrode 16 (and not the auxiliary working electrode 18) measures glucose concentration. Additionally, this embodiment provides an added advantage of eliminating the consumption of O₂ above the counter electrode (if applicable) by the oxidation of glucose with glucose oxidase.

FIG. 3B is a cross-sectional exploded schematic view of a sensing region of the preferred embodiments, and wherein the portion of the active enzyme within the membrane system 22 positioned over the auxiliary working electrode 18 has been deactivated 34. In one alternative embodiment, the enzyme of the membrane system 22 may be deactivated 34 everywhere except for the area covering the glucose-measuring working electrode 16 or may be selectively deactivated only over certain areas (for example, auxiliary working electrode 18, counter electrode 22, and/or reference electrode 20) by irradiation, heat, proteolysis, solvent, or the like. In such a case, a mask (for example, such as those used for photolithography) can be placed above the membrane that covers the glucose-measuring working electrode 16. In this way, exposure of the masked membrane to ultraviolet light deactivates the glucose oxidase in all regions except that covered by the mask.

In some alternative embodiments, the membrane system is disposed on the surface of the electrode(s) using known deposition techniques. The electrode-exposed surfaces can be inset within the sensor body, planar with the sensor body, or extending from the sensor body. Although some examples of membrane systems have been provided above, the concepts described herein can be applied to numerous known architectures not described herein.

Sensor Electronics

In some embodiments, the sensing region may include reference and/or electrodes associated with the glucose-measuring

sensing working electrode and separate reference and/or counter electrodes associated with the optional auxiliary working electrode(s). In yet another embodiment, the sensing region may include a glucose-measuring working electrode, an auxiliary working electrode, two counter electrodes (one for each working electrode), and one shared reference electrode. In yet another embodiment, the sensing region may include a glucose-measuring working electrode, an auxiliary working electrode, two reference electrodes, and one shared counter electrode. However, a variety of electrode materials and configurations can be used with the implantable analyte sensor of the preferred embodiments.

In some alternative embodiments, the working electrodes are interdigitated. In some alternative embodiments, the working electrodes each comprise multiple exposed electrode surfaces; one advantage of these architectures is to distribute the measurements across a greater surface area to overcome localized problems that may occur in vivo, for example, with the host's immune response at the biointerface. Preferably, the glucose-measuring and auxiliary working electrodes are provided within the same local environment, such as described in more detail elsewhere herein.

FIG. 4 is a block diagram that illustrates the continuous glucose sensor electronics in one embodiment. In this embodiment, a first potentiostat 36 is provided that is operatively associated with the glucose-measuring working electrode 16. The first potentiostat 36 measures a current value at the glucose-measuring working electrode and preferably includes a resistor (not shown) that translates the current into voltage. An optional second potentiostat 37 is provided that is operatively associated with the optional auxiliary working electrode 18. The second potentiostat 37 measures a current value at the auxiliary working electrode 18 and preferably includes a resistor (not shown) that translates the current into voltage. It is noted that in some embodiments, the optional auxiliary electrode can be configured to share the first potentiostat with the glucose-measuring working electrode. An A/D converter 38 digitizes the analog signals from the potentiostats 36, 37 into counts for processing. Accordingly, resulting raw data streams (in counts) can be provided that are directly related to the current measured by each of the potentiostats 36 and 37.

A microprocessor 40, also referred to as the processor module, is the central control unit that houses EEPROM 42 and SRAM 44, and controls the processing of the sensor electronics. It is noted that certain alternative embodiments can utilize a computer system other than a microprocessor to process data as described herein. In other alternative embodiments, an application-specific integrated circuit (ASIC) can be used for some or all the sensor's central processing. The EEPROM 42 provides semi-permanent storage of data, for example, storing data such as sensor identifier (ID) and programming to process data streams (for example, such as described in U.S. Publication No. US-2005-0027463-A1, which is incorporated by reference herein in its entirety. The SRAM 44 can be used for the system's cache memory, for example for temporarily storing recent sensor data. In some alternative embodiments, memory storage components comparable to EEPROM and SRAM may be used instead of or in addition to the preferred hardware, such as dynamic RAM, non-static RAM, rewritable ROMs, flash memory, or the like.

A battery 46 is operably connected to the microprocessor 40 and provides the necessary power for the sensor 10a. In one embodiment, the battery is a Lithium Manganese Dioxide battery, however any appropriately sized and powered battery can be used (for example, AAA, Nickel-cadmium, Zinc-carbon, Alkaline, Lithium, Nickel-metal hydride, Lithium-ion,

Zinc-air, Zinc-mercury oxide, Silver-zinc, and/or hermetically-sealed). In some embodiments the battery is rechargeable. In some embodiments, a plurality of batteries can be used to power the system. In some embodiments, one or more capacitors can be used to power the system. A Quartz Crystal **48** may be operably connected to the microprocessor **40** to maintain system time for the computer system as a whole.

An RF Transceiver **50** may be operably connected to the microprocessor **40** to transmit the sensor data from the sensor **10** to a receiver (see FIGS. **4** and **5**) within a wireless transmission **52** via antenna **54**. Although an RF transceiver is shown here, some other embodiments can include a wired rather than wireless connection to the receiver. In yet other embodiments, the receiver can be transcutaneously powered via an inductive coupling, for example. A second quartz crystal **56** can provide the system time for synchronizing the data transmissions from the RF transceiver. It is noted that the transceiver **50** can be substituted with a transmitter in other embodiments. In some alternative embodiments other mechanisms such as optical, infrared radiation (IR), ultrasonic, or the like may be used to transmit and/or receive data.

Receiver

FIG. **5** is a schematic drawing of a receiver for the continuous glucose sensor in one embodiment. The receiver **58** comprises systems necessary to receive, process, and display sensor data from the analyte sensor, such as described in more detail elsewhere herein. Particularly, the receiver **58** may be a pager-sized device, for example, and house a user interface that has a plurality of buttons and/or keypad and a liquid crystal display (LCD) screen, and which may include a backlight. In some embodiments the user interface may also include a speaker, and a vibrator such as described with reference to FIG. **6**.

FIG. **6** is a block diagram of the receiver electronics in one embodiment. In some embodiments, the receiver comprises a configuration such as described with reference to FIG. **5**, above. However, the receiver may comprise any reasonable configuration, including a desktop computer, laptop computer, a personal digital assistant (PDA), a server (local or remote to the receiver), or the like. In some embodiments, a receiver may be adapted to connect (via wired or wireless connection) to a desktop computer, laptop computer, a PDA, a server (local or remote to the receiver), or the like in order to download data from the receiver. In some alternative embodiments, the receiver may be housed within or directly connected to the sensor in a manner that allows sensor and receiver electronics to work directly together and/or share data processing resources. Accordingly, the receiver, including its electronics, may be generally described as a "computer system."

A quartz crystal **60** may be operably connected to an RF transceiver **62** that together function to receive and synchronize data streams via an antenna **64** (for example, transmission **52** from the RF transceiver **50** shown in FIG. **4**). Once received, a microprocessor **66** can process the signals, such as described below.

The microprocessor **66**, also referred to as the processor module, is the central control unit that provides the processing, such as storing data, calibrating sensor data, downloading data, controlling the user interface by providing prompts, messages, warnings and alarms, or the like. The EEPROM **68** may be operably connected to the microprocessor **66** and provides semi-permanent storage of data, storing data such as receiver ID and programming to process data streams (for example, programming for performing calibration and other algorithms described elsewhere herein). SRAM **70** may be used for the system's cache memory and is helpful in data

processing. For example, the SRAM stores information from the continuous glucose sensor for later recall by the patient or a doctor; a patient or doctor can transcribe the stored information at a later time to determine compliance with the medical regimen or a comparison of glucose concentration to medication administration (for example, this can be accomplished by downloading the information through the pc corn port **76**). In addition, the SRAM **70** can also store updated program instructions and/or patient specific information. In some alternative embodiments, memory storage components comparable to EEPROM and SRAM can be used instead of or in addition to the preferred hardware, such as dynamic RAM, non-static RAM, rewritable ROMs, flash memory, or the like.

A battery **72** may be operably connected to the microprocessor **66** and provides power for the receiver. In one embodiment, the battery is a standard AAA alkaline battery, however any appropriately sized and powered battery can be used. In some embodiments, a plurality of batteries can be used to power the system. In some embodiments, a power port (not shown) is provided permit recharging of rechargeable batteries. A quartz crystal **84** may be operably connected to the microprocessor **66** and maintains system time for the system as a whole.

A PC communication (com) port **76** can be provided to enable communication with systems, for example, a serial communications port, allows for communicating with another computer system (for example, PC, PDA, server, or the like). In one exemplary embodiment, the receiver is able to download historical data to a physician's PC for retrospective analysis by the physician. The PC communication port **76** can also be used to interface with other medical devices, for example pacemakers, implanted analyte sensor patches, infusion devices, telemetry devices, or the like.

A user interface **78** comprises a keypad **80**, speaker **82**, vibrator **84**, backlight **86**, liquid crystal display (LCD) **88**, and one or more buttons **90**. The components that comprise the user interface **78** provide controls to interact with the user. The keypad **80** can allow, for example, input of user information about himself/herself, such as mealtime, exercise, insulin administration, and reference glucose values. The speaker **82** can provide, for example, audible signals or alerts for conditions such as present and/or predicted hyper- and hypoglycemic conditions. The vibrator **84** can provide, for example, tactile signals or alerts for reasons such as described with reference to the speaker, above. The backlight **94** can be provided, for example, to aid the user in reading the LCD in low light conditions. The LCD **88** can be provided, for example, to provide the user with visual data output. In some embodiments, the LCD is a touch-activated screen. The buttons **90** can provide for toggle, menu selection, option selection, mode selection, and reset, for example. In some alternative embodiments, a microphone can be provided to allow for voice-activated control.

The user interface **78**, which is operably connected to the microprocessor **70**, serves to provide data input and output for the continuous analyte sensor. In some embodiments, prompts can be displayed to inform the user about necessary maintenance procedures, such as "Calibrate Sensor" or "Replace Battery." In some embodiments, prompts or messages can be displayed on the user interface to convey information to the user, such as malfunction, outlier values, missed data transmissions, or the like. Additionally, prompts can be displayed to guide the user through calibration of the continuous glucose sensor, for example when to obtain a reference glucose value.

Keypad, buttons, touch-screen, and microphone are all examples of mechanisms by which a user can input data

directly into the receiver. A server, personal computer, personal digital assistant, insulin pump, and insulin pen are examples of external devices that can be connected to the receiver via PC com port 76 to provide useful information to the receiver. Other devices internal or external to the sensor that measure other aspects of a patient's body (for example, temperature sensor, accelerometer, heart rate monitor, oxygen monitor, or the like) can be used to provide input helpful in data processing. In one embodiment, the user interface can prompt the patient to select an activity most closely related to their present activity, which can be helpful in linking to an individual's physiological patterns, or other data processing. In another embodiment, a temperature sensor and/or heart rate monitor can provide information helpful in linking activity, metabolism, and glucose excursions of an individual. While a few examples of data input have been provided here, a variety of information can be input and can be helpful in data processing as will be understood by one skilled in the art.

Calibration Systems and Methods

As described above in the Overview Section, continuous analyte sensors define a relationship between sensor-generated measurements and a reference measurement that is meaningful to a user (for example, blood glucose in mg/dL). This defined relationship must be monitored to ensure that the continuous analyte sensor maintains a substantially accurate calibration and thereby continually provides meaningful values to a user. Unfortunately, both sensitivity m and baseline b of the calibration are subject to changes that occur in vivo over time (for example, hours to months), requiring updates to the calibration. Generally, any physical property that influences diffusion or transport of molecules through the membrane can alter the sensitivity (and/or baseline) of the calibration. Physical properties that can alter the transport of molecules include, but are not limited to, blockage of surface area due to foreign body giant cells and other barrier cells at the biointerface, distance of capillaries from the membrane, foreign body response/capsule, disease, tissue ingrowth, thickness of membrane system, or the like.

In one example of a change in transport of molecules, an implantable glucose sensor is implanted in the subcutaneous space of a human, which is at least partially covered with a biointerface membrane, such as described in U.S. Publication No. US-2005-0112169-A1, which is incorporated by reference herein in its entirety. Although the body's natural response to a foreign object is to encapsulate the sensor, the architecture of this biointerface membrane encourages tissue ingrowth and neo-vascularization over time, providing transport of solutes (for example, glucose and oxygen) close to the membrane that covers the electrodes. While not wishing to be bound by theory, it is believed that ingrowth of vascularized tissue matures (changes) over time, beginning with a short period of high solute transport during the first few days after implantation, continuing through a time period of significant tissue ingrowth a few days to a week or more after implantation during which low solute transport to the membrane has been observed, and into a mature state of vascularized tissue during which the bed of vascularized tissue provides moderate to high solute transport, which can last for months and even longer after implantation. In some embodiments, this maturation process accounts for a substantial portion of the change in sensitivity and/or baseline of the calibration over time due to changes in solute transport to the membrane.

Accordingly, in one aspect of the preferred embodiments, systems and methods are provided for measuring changes in sensitivity, also referred to as changes in solute transport or biointerface changes, of an analyte sensor 10 implanted in a host over a time period. Preferably, the sensitivity measure-

ment is a signal obtained by measuring a constant analyte other than the analyte being measured by the analyte sensor. For example, in a glucose sensor, a non-glucose constant analyte is measured, wherein the signal is measured beneath the membrane system 22 on the glucose sensor 10. While not wishing to be bound by theory, it is believed that by monitoring the sensitivity over a time period, a change associated with solute transport through the membrane system 22 can be measured and used as an indication of a sensitivity change in the analyte measurement. In other words, a biointerface monitor is provided, which is capable of monitoring changes in the biointerface surrounding an implantable device, thereby enabling the measurement of sensitivity changes of an analyte sensor over time.

In some embodiments, the analyte sensor 10 is provided with an auxiliary electrode 18 configured as a transport-measuring electrode disposed beneath the membrane system 22. The transport-measuring electrode can be configured to measure any of a number of substantially constant analytes or factors, such that a change measured by the transport-measuring electrode can be used to indicate a change in solute (for example, glucose) transport to the membrane system 22. Some examples of substantially constant analytes or factors that can be measured include, but are not limited to, oxygen, carboxylic acids (such as urea), amino acids, hydrogen, pH, chloride, baseline, or the like. Thus, the transport-measuring electrode provides an independent measure of changes in solute transport to the membrane, and thus sensitivity changes over time.

In some embodiments, the transport-measuring electrode measures analytes similar to the analyte being measured by the analyte sensor. For example, in some embodiments of a glucose sensor, water soluble analytes are believed to better represent the changes in sensitivity to glucose over time than non-water soluble analytes (due to the water-solubility of glucose), however relevant information may be ascertained from a variety of molecules. Although some specific examples are described herein, one skilled in the art appreciates a variety of implementations of sensitivity measurements that can be used as to qualify or quantify solute transport through the biointerface of the analyte sensor.

In one embodiment of a glucose sensor, the transport-measuring electrode is configured to measure urea, which is a water-soluble constant analyte that is known to react directly or indirectly at a hydrogen peroxide sensing electrode (similar to the working electrode of the glucose sensor example described in more detail above). In one exemplary implementation wherein urea is directly measured by the transport-measuring electrode, the glucose sensor comprises a membrane system as described in more detail above, however, does not include an active interference domain or active enzyme directly above the transport-measuring electrode, thereby allowing the urea to pass through the membrane system to the electroactive surface for measurement thereon.

In one alternative exemplary implementation wherein urea is indirectly measured by the transport-measuring electrode, the glucose sensor comprises a membrane system as described in more detail above, and further includes an active uricase oxidase domain located directly above the transport-measuring electrode, thereby allowing the urea to react at the enzyme and produce hydrogen peroxide, which can be measured at the electroactive surface thereon.

In some embodiments, the change in sensitivity is measured by measuring a change in oxygen concentration, which can be used to provide an independent measurement of the maturation of the biointerface, and to indicate when recalibration of the system may be advantageous. In one alternative

embodiment, oxygen is measured using pulsed amperometric detection on the glucose-measuring working electrode **16** (eliminating the need for a separate auxiliary electrode). In another embodiment, the auxiliary electrode is configured as an oxygen-measuring electrode. In another embodiment, an oxygen sensor (not shown) is added to the glucose sensor, as is appreciated by one skilled in the art, eliminating the need for an auxiliary electrode.

In some embodiments, a stability module is provided; wherein the sensitivity measurement changes can be quantified such that a co-analyte concentration threshold is determined. A co-analyte threshold is generally defined as a minimum amount of co-analyte required to fully react with the analyte in an enzyme-based analyte sensor in a non-limiting manner. The minimum co-analyte threshold is preferably expressed as a ratio (for example, a glucose-to-oxygen ratio) that defines a concentration of co-analyte required based on a concentration of analyte available to ensure that the enzyme reaction is limited only by the analyte. While not wishing to be bound by theory, it is believed that by determining a stability of the analyte sensor based on a co-analyte threshold, the processor module can be configured to compensate for instabilities in the glucose sensor accordingly, for example by filtering the unstable data, suspending calibration or display, or the like.

In one such embodiment, a data stream from an analyte signal is monitored and a co-analyte threshold set, whereby the co-analyte threshold is determined based on a signal-to-noise ratio exceeding a predetermined threshold. In one embodiment, the signal-to-noise threshold is based on measurements of variability and the sensor signal over a time period, however one skilled in the art appreciates the variety of systems and methods available for measuring signal-to-noise ratios. Accordingly, the stability module can be configured to set determine the stability of the analyte sensor based on the co-analyte threshold, or the like.

In some embodiments, the stability module is configured to prohibit calibration of the sensor responsive to the stability (or instability) of the sensor. In some embodiments, the stability module can be configured to trigger filtering of the glucose signal responsive to a stability (or instability) of the sensor.

In some embodiments, sensitivity changes can be used to trigger a request for one or more new reference glucose values from the host, which can be used to recalibrate the sensor. In some embodiments, the sensor is re-calibrated responsive to a sensitivity change exceeding a preselected threshold value. In some embodiments, the sensor is calibrated repeatedly at a frequency responsive to the measured sensitivity change. Using these techniques, patient inconvenience can be minimized because reference glucose values are generally only requested when timely and appropriate (namely, when a sensitivity or baseline shift is diagnosed).

In some alternative embodiments, sensitivity changes can be used to update calibration. For example, the measured change in transport can be used to update the sensitivity m in the calibration equation. While not wishing to be bound by theory, it is believed that in some embodiments, the sensitivity m of the calibration of the glucose sensor is substantially proportional to the change in solute transport measured by the transport-measuring electrode.

It should be appreciated by one skilled in the art that in some embodiments, the implementation of sensitivity measurements of the preferred embodiments typically necessitate an addition to, or modification of, the existing electronics (for example, potentiostat configuration or settings) of the glucose sensor and/or receiver.

In some embodiments, the signal from the oxygen measuring electrode may be digitally low-pass filtered (for example, with a passband of $0-10^{-5}$ Hz, dc-24 hour cycle lengths) to remove transient fluctuations in oxygen, due to local ischemia, postural effects, periods of apnea, or the like. Since oxygen delivery to tissues is held in tight homeostatic control, this filtered oxygen signal should oscillate about a relatively constant. In the interstitial fluid, it is thought that the levels are about equivalent with venous blood (40 mmHg). Once implanted, changes in the mean of the oxygen signal (for example, $>5\%$) may be indicative of change in transport through the biointerface (change in sensor sensitivity and/or baseline due to changes in solute transport) and the need for system recalibration.

The oxygen signal may also be used in its unfiltered or a minimally filtered form to detect or predict oxygen deprivation-induced artifact in the glucose signal, and to control display of data to the user, or the method of smoothing, digital filtering, or otherwise replacement of glucose signal artifact. In some embodiments, the oxygen sensor may be implemented in conjunction with any signal artifact detection or prediction that may be performed on the counter electrode or working electrode voltage signals of the electrode system. U.S. Publication No. US-2005-0043598-A1, which is incorporated by reference in its entirety herein, describes some methods of signal artifact detection and replacement that may be useful such as described herein.

Preferably, the transport-measuring electrode is located within the same local environment as the electrode system associated with the measurement of glucose, such that the transport properties at the transport-measuring electrode are substantially similar to the transport properties at the glucose-measuring electrode.

In a second aspect the preferred embodiments, systems and methods are provided for measuring changes baseline, namely non-glucose related electroactive compounds in the host. Preferably the auxiliary working electrode is configured to measure the baseline of the analyte sensor over time. In some embodiments, the glucose-measuring working electrode **16** is a hydrogen peroxide sensor coupled to a membrane system **22** containing an active enzyme **32** located above the electrode (such as described in more detail with reference to FIGS. **1** to **4**, above). In some embodiments, the auxiliary working electrode **18** is another hydrogen peroxide sensor that is configured similar to the glucose-measuring working electrode however a portion **34** of the membrane system **22** above the base-measuring electrode does not have active enzyme therein, such as described in more detail with reference to FIGS. **3A** and **3B**. The auxiliary working electrode **18** provides a signal substantially comprising the baseline signal, b , which can be (for example, electronically or digitally) subtracted from the glucose signal obtained from the glucose-measuring working electrode to obtain the signal contribution due to glucose only according to the following equation:

$$\text{Signal}_{\text{glucose only}} = \frac{\text{Signal}_{\text{glucose-measuring working electrode}}}{\text{Signal}_{\text{baseline-measuring working electrode}}}$$

In some embodiments, electronic subtraction of the baseline signal from the glucose signal can be performed in the hardware of the sensor, for example using a differential amplifier. In some alternative embodiments, digital subtraction of the baseline signal from the glucose signal can be performed in the software or hardware of the sensor or an associated receiver, for example in the microprocessor.

One aspect the preferred embodiments provides for a simplified calibration technique, wherein the variability of the baseline has been eliminated (namely, subtracted). Namely, calibration of the resultant differential signal ($\text{Signal}_{\text{glucose only}}$) can be performed with a single matched data pair by solving the following equation:

$$y=mx$$

While not wishing to be bound by theory, it is believed that by calibrating using this simplified technique, the sensor is made less dependent on the range of values of the matched data pairs, which can be sensitive to human error in manual blood glucose measurements, for example. Additionally, by subtracting the baseline at the sensor (rather than solving for the baseline b as in conventional calibration schemes), accuracy of the sensor may increase by altering control of this variable (baseline b) from the user to the sensor. It is additionally believed that variability introduced by sensor calibration may be reduced.

In some embodiments, the glucose-measuring working electrode **16** is a hydrogen peroxide sensor coupled to a membrane system **22** containing an active enzyme **32** located above the electrode, such as described in more detail above; however the baseline signal is not subtracted from the glucose signal for calibration of the sensor. Rather, multiple matched data pairs are obtained in order to calibrate the sensor (for example using $y=mx+b$) in a conventional manner, and the auxiliary working electrode **18** is used as an indicator of baseline shifts in the sensor signal. Namely, the auxiliary working electrode **18** is monitored for changes above a certain threshold. When a significant change is detected, the system can trigger a request (for example, from the patient or caregiver) for a new reference glucose value (for example, SMBG), which can be used to recalibrate the sensor. By using the auxiliary working electrode signal as an indicator of baseline shifts, recalibration requiring user interaction (namely, new reference glucose values) can be minimized due to timeliness and appropriateness of the requests. In some embodiments, the sensor is re-calibrated responsive to a baseline shifts exceeding a preselected threshold value. In some embodiments, the sensor is calibrated repeatedly at a frequency responsive to the rate-of-change of the baseline.

In yet another alternative embodiment, the electrode system of the preferred embodiments is employed as described above, including determining the differential signal of glucose less baseline current in order to calibrate using the simplified equation ($y=mx$), and the auxiliary working electrode **18** is further utilized as an indicator of baseline shifts in the sensor signal. While not wishing to be bound by theory, it is believed that shifts in baseline may also correlate and/or be related to changes in the sensitivity m of the glucose signal. Consequently, a shift in baseline may be indicative of a change in sensitivity m . Therefore, the auxiliary working electrode **18** is monitored for changes above a certain threshold. When a significant change is detected, the system can trigger a request (for example, from the patient or caregiver) for a new reference glucose value (for example, SMBG), which can be used to recalibrate the sensor. By using the auxiliary signal as an indicator of possible sensitivity changes, recalibration requiring user interaction (new reference glucose values) can be minimized due to timeliness and appropriateness of the requests.

It is noted that infrequent new matching data pairs may be useful over time to recalibrate the sensor because the sensitivity m of the sensor may change over time (for example, due to maturation of the biointerface that may increase or decrease the glucose and/or oxygen availability to the sen-

sor). However, the baseline shifts that have conventionally required numerous and/or regular blood glucose reference measurements for updating calibration (for example, due to interfering species, metabolism changes, or the like) can be consistently and accurately eliminated using the systems and methods of the preferred embodiments, allowing reduced interaction from the patient (for example, requesting less frequent reference glucose values such as daily or even as infrequently as monthly).

An additional advantage of the sensor of the preferred embodiments includes providing a method of eliminating signal effects of interfering species, which have conventionally been problematic in electrochemical glucose sensors. Namely, electrochemical sensors are subject to electrochemical reaction not only with the hydrogen peroxide (or other analyte to be measured), but additionally may react with other electroactive species that are not intentionally being measured (for example, interfering species), which cause an increase in signal strength due to this interference. In other words, interfering species are compounds with an oxidation potential that overlap with the analyte being measured. Interfering species such as acetaminophen, ascorbate, and urate, are notorious in the art of glucose sensors for producing inaccurate signal strength when they are not properly controlled. Some glucose sensors utilize a membrane system that blocks at least some interfering species, such as ascorbate and urate. Unfortunately, it is difficult to find membranes that are satisfactory or reliable in use, especially in vivo, which effectively block all interferants and/or interfering species (for example, see U.S. Pat. No. 4,776,944, U.S. Pat. No. 5,356,786, U.S. Pat. No. 5,593,852, U.S. Pat. No. 5,776,324 B1, and U.S. Pat. No. 6,356,776).

The preferred embodiments are particularly advantageous in their inherent ability to eliminate the erroneous transient and non-transient signal effects normally caused by interfering species. For example, if an interferant such as acetaminophen is ingested by a host implanted with a conventional implantable electrochemical glucose sensor (namely, one without means for eliminating acetaminophen), a transient non-glucose related increase in signal output would occur. However, by utilizing the electrode system of the preferred embodiments, both working electrodes respond with substantially equivalent increased current generation due to oxidation of the acetaminophen, which would be eliminated by subtraction of the auxiliary electrode signal from the glucose-measuring electrode signal.

In summary, the system and methods of the preferred embodiments simplify the computation processes of calibration, decreases the susceptibility introduced by user error in calibration, and eliminates the effects of interfering species. Accordingly, the sensor requires less interaction by the patient (for example, less frequent calibration), increases patient convenience (for example, few reference glucose values), and improves accuracy (via simple and reliable calibration).

In another aspect of the preferred embodiments, the analyte sensor is configured to measure any combination of changes in baseline and/or in sensitivity, simultaneously and/or iteratively, using any of the above-described systems and methods. While not wishing to be bound by theory, the preferred embodiments provide for improved calibration of the sensor, increased patient convenience through less frequent patient interaction with the sensor, less dependence on the values/range of the paired measurements, less sensitivity to error normally found in manual reference glucose measurements, adaptation to the maturation of the biointerface over time, elimination of erroneous signal due to non-constant analyte-

related signal so interfering species, and/or self-diagnosis of the calibration for more intelligent recalibration of the sensor.

EXAMPLES

Example 1

Dual—Electrode Sensor with Coiled Reference Electrode

Dual-electrode sensors (having a configuration similar to the embodiment shown in FIG. 9B) were constructed from two platinum wires, each coated with non-conductive material/insulator. Exposed electroactive windows were cut into the wires by removing a portion thereof. The platinum wires were laid next to each other such that the windows are offset (e.g., separated by a diffusion barrier). The bundle was then placed into a winding machine & silver wire was wrapped around the platinum electrodes. The silver wire was then chloridized to produce a silver/silver chloride reference electrode. The sensor was trimmed to length, and a glucose oxidase enzyme solution applied to both windows (e.g., enzyme applied to both sensors). To deactivate the enzyme in one window (e.g., window 904a, FIG. 9B) the window was dipped into dimethylacetamide (DMAC) and rinsed. After the sensor was dried, a resistance layer was sprayed onto the sensor and dried.

FIG. 12 shows the results from one experiment, comparing the signals from the two electrodes of the dual-electrode sensor having a coiled silver/silver chloride wire reference electrode described above. The “Plus GOx” electrode included active GOx in its window. The “No GOx” electrode included DMAC-inactivated GOx in its window. To test, the sensor was incubated in room temperature phosphate buffered saline (PBS) for 30 minutes. During this time, the signals from the two electrodes were substantially equivalent. Then the sensor was moved to a 40-mg/dl solution of glucose in PBS. This increase in glucose concentration resulting in an expected rise in signal from the “Plus GOx” electrode but no significant increase in signal from the “No GOx” electrode. The sensor was then moved to a 200-mg/dl solution of glucose in PBS. Again, the “Plus GOx” electrode responded with a characteristic signal increase while no increase in signal was observed for the “No GOx” electrode. The sensor was then moved to a 400-mg/dl solution of glucose in PBS. The “Plus GOx” electrode signal increased to about 5000 counts while no increase in signal was observed for the “No GOx” electrode. As a final test, the sensor was moved to a solution of 400 mg/dl glucose plus 0.22 mM acetaminophen (a known interferant) in PBS. Both electrodes recorded similarly dramatic increases in signal (raw counts). These data indicate that the “No GOx” electrode is measuring sensor background (e.g., noise) that is substantially related to non-glucose factors.

Example 2

Dual-Electrode Sensor with X-Shaped Reference Electrode

This sensor was constructed similarly to the sensor of Example 1, except that the configuration was similar to the embodiment shown in FIG. 7J. Two platinum electrode wires were dipped into non-conductive material and then electroactive windows formed by removing portions of the nonconductive material. The two wires were then bundled with an

X-shaped silver reference electrode therebetween. An additional layer of non-conductive material held the bundle together.

FIG. 13 shows the results from one experiment, comparing the signals from the two electrodes of a dual-electrode sensor having an X-shaped reference electrode. The “Plus GOx” electrode has active GOx in its window. The “No GOx” electrode has DMAC-inactivated GOx in its window. The sensor was tested as was described for Experiment 1, above. Signal from the two electrodes were substantially equivalent until the sensor was transferred to the 40-mg/dl glucose solution. As this point, the “Plus GOx” electrode signal increased but the “No GOx” electrode signal did not. Similar increases were observed in the “Plus GOx” signal when the sensor was moved consecutively to 200-mg/dl and 400-mg/dl glucose solution, but still not increase in the “No GOx” signal was observed. When sensor was moved to a 400-mg/dl glucose solution containing 0.22 mM acetaminophen, both electrodes recorded a similar increase in signal (raw counts). These data indicate that the “No GOx” electrode measures sensor background (e.g., noise) signal that is substantially related to non-glucose factors.

Example 3

Dual-Electrode Challenge with Hydrogen Peroxide, Glucose and Acetaminophen

A dual-electrode sensor was assembled similarly to the sensor of Example 1, with a bundled configuration similar to that shown in FIG. 7C (two platinum working electrodes and one silver/silver chloride reference electrode, not twisted). The electroactive windows were staggered by 0.085 inches, to create a diffusion barrier.

FIG. 14 shows the experimental results. The Y-axis shows the glucose signal (volts) and the X-axis shows time. The “Enzyme” electrode included active GOx. The “No Enzyme” electrode did not include active GOx. The “Enzyme minus No Enzyme” represents a simple subtraction of the “Enzyme” minus the “No Enzyme.” The “Enzyme” electrode measures the glucose-related signal and the non-glucose-related signal. The “No Enzyme” electrode measures only the non-glucose-related signal. The “Enzyme minus No Enzyme” graph illustrates the portion of the “Enzyme” signal related to only the glucose-related signal.

The sensor was challenged with increasing concentrations of hydrogen peroxide in PBS. As expected, both the “Enzyme” and “No Enzyme” electrodes responded substantially the same with increases in signal corresponding increased in H_2O_2 concentration (~50 μM , 100 μM and 250 $\mu M H_2O_2$). When the “No Enzyme” signal was subtracted from the “Enzyme” signal, the graph indicated that the signal was not related to glucose concentration.

The sensor was challenged with increasing concentrations of glucose (~20 mg/dl, 200 mg/dl, 400 mg/dl) in PBS. As glucose concentration increased, the “Enzyme” electrode registered a corresponding increase in signal. In contrast, the “No Enzyme” electrode did not record an increase in signal. Subtracting the “No Enzyme” signal from the “Enzyme” signal shows a step-wise increase in signal related to only glucose concentration.

The sensor was challenged with the addition of acetaminophen (~0.22 mM) to the highest glucose concentration. Acetaminophen is known to be an interferent (e.g., produces non-constant noise) of the sensors built as described above, e.g., due to a lack of acetaminophen-blocking membrane and/or mechanism formed thereon or provided therewith.

Both the “Enzyme” and “No Enzyme” electrodes showed a substantial increase in signal. The “Enzyme minus No Enzyme” graph substantially shows the portion of the signal that was related to glucose concentration.

From these data, it is believed that a dual-electrode system can be used to determine the analyte-only portion of the signal.

Example 4

IV Dual-Electrode Sensor in Dogs

An intravascular dual-electrode sensor was built substantially as described in co-pending U.S. Patent application Ser. Nos. 11/543,396, 11/543,490, and 11/543,404 [Pub. Nos. 2008-0119703 A1, 2008-0119704 A1, 2008-0119706 A1], entitled “Analyte sensor” and filed Oct. 4, 2006. Namely, the sensor was built by providing two platinum wires (e.g., dual working electrodes) and vapor-depositing the platinum wires with Parylene to form an insulating coating. A portion of the insulation on each wire was removed to expose the electroactive surfaces (e.g., 904a and 904b). The wires were bundled such that the windows were offset to provide a diffusion barrier, as described herein, cut to the desired length, to form an “assembly.” A silver/silver chloride reference electrode was disposed remotely from the working electrodes (e.g., coiled inside the sensor’s fluid connector).

An electrode domain was formed over the electroactive surface areas of the working electrodes by dip coating the assembly in an electrode solution (comprising BAYHYDROL® 123 with PVP and added EDC)) and drying.

An enzyme domain was formed over the electrode domain by subsequently dip coating the assembly in an enzyme domain solution (BAYHYDROL 140AQ mixed with glucose oxidase and glutaraldehyde) and drying. This dip coating process was repeated once more to form an enzyme domain having two layers and subsequently drying. Next an enzyme solution containing active GOx was applied to one window; and an enzyme solution without enzyme (e.g., No GOx) was applied to the other window.

A resistance domain was formed over the enzyme domain by subsequently spray coating the assembly with a resistance domain solution (Chronothane H and Chronothane 1020) and drying.

After the sensor was constructed, it was placed in a protective sheath and then threaded through and attached to a fluid coupler, as described in co-pending U.S. patent application Ser. Nos. 11/543,396, 11/543,490, and 11/543,404 [Pub. Nos. 2008-0119703 A1, 2008-0119704 A1, 2008-0119706 A1], entitled “Analyte sensor” and filed Oct. 4, 2006. Prior to use, the sensors were sterilized using electron beam radiation.

The forelimb of an anesthetized dog (2 years old, ~40 pounds) was cut down to the femoral artery and vein. An arterio-venous shunt was placed from the femoral artery to the femoral vein using 14 gauge catheters and 1/8-inch IV tubing. A pressurized arterial fluid line was connected to the sensor systems at all times. The test sensor system included a 20 gauge x 1.25-inch catheter and took measurements every 30 seconds. The catheter was aseptically inserted into the shunt, followed by insertion of the sensor into the catheter. As controls, the dog’s glucose was checked with an SMBG, as well as removing blood samples and measuring the glucose concentration with a Hemocue.

FIG. 15 shows the experimental results. Glucose test data (counts) is shown on the left-hand Y-axis, glucose concentration for the controls (SMBG and Hemocue) are shown on the right-hand y-axis and time is shown on the X-axis. Each time

interval on the X-axis represents 29-minutes (e.g., 12:11 to 12:40 equals 29 minutes). An acetaminophen challenge is shown as a vertical line on the graph.

The term “Plus GOx” refers to the signal from the electrode coated with active GOx., which represents signal due to both the glucose concentration and non-glucose-related electroactive compounds as described elsewhere herein (e.g., glucose signal and background signal, which includes both constant and non-constant noise). “No GOx” is signal from the electrode lacking GOx, which represents non-glucose related signal (e.g., background signal, which includes both constant and non-constant noise). The “Glucose Only” signal (e.g., related only to glucose concentration) is determined during data analysis (e.g., by sensor electronics). In this experiment, the “Glucose Only” signal was determined by a subtraction of the “No GOx” signal from the “Plus GOx” signal.

During the experiment, the “No GOx” signal (thin line) substantially paralleled the “Plus GOx” signal (medium line). The “Glucose Only” signal substantially paralleled the control tests (SMBG/Hemocue).

Acetaminophen is known to be an interferent (e.g., produces non-constant noise) of the sensors built as described above, e.g., due to a lack of acetaminophen-blocking membrane and/or mechanism formed thereon or provided therein. The SMBG or Hemocue devices utilized in this experiment, however, do include mechanisms that substantially block acetaminophen from the signal (see FIG. 15). When the dog was challenged with acetaminophen, the signals from both working electrodes (“Plus GOx” and “No GOx”) increased in a substantially similar manner. When the “Glucose Only” signal was determined, it substantially paralleled the signals of the control devices and was of a substantially similar magnitude.

From these experimental results, the inventors believe that an indwelling, dual-electrode glucose sensor system (as described herein) in contact with the circulatory system can provide substantially continuous glucose data that can be used to calculate a glucose concentration that is free from background components (e.g., constant and non-constant noise), in a clinical setting.

Methods and devices that are suitable for use in conjunction with aspects of the preferred embodiments are disclosed in U.S. Pat. No. 4,994,167; U.S. Pat. No. 4,757,022; U.S. Pat. No. 6,001,067; U.S. Pat. No. 6,741,877; U.S. Pat. No. 6,702,857; U.S. Pat. No. 6,558,321; U.S. Pat. No. 6,931,327; U.S. Pat. No. 6,862,465; U.S. Pat. No. 7,074,307; U.S. Pat. No. 7,081,195; U.S. Pat. No. 7,108,778; and U.S. Pat. No. 7,110,803.

Methods and devices that are suitable for use in conjunction with aspects of the preferred embodiments are disclosed in U.S. Publication No. US-2005-0176136-A1; U.S. Publication No. US-2005-0251083-A1; U.S. Publication No. US-2005-0143635-A1; U.S. Publication No. US-2005-0181012-A1; U.S. Publication No. US-2005-0177036-A1; U.S. Publication No. US-2005-0124873-A1; U.S. Publication No. US-2005-0115832-A1; U.S. Publication No. US-2005-0245799-A1; U.S. Publication No. US-2005-0245795-A1; U.S. Publication No. US-2005-0242479-A1; U.S. Publication No. US-2005-0182451-A1; U.S. Publication No. US-2005-0056552-A1; U.S. Publication No. US-2005-0192557-A1; U.S. Publication No. US-2005-0154271-A1; U.S. Publication No. US-2004-0199059-A1; U.S. Publication No. US-2005-0054909-A1; U.S. Publication No. US-2005-0112169-A1; U.S. Publication No. US-2005-0051427-A1; U.S. Publication No. US-2003-0032874-A1; U.S. Publication No. US-2005-0103625-A1; U.S. Publication No. US-2005-0203360-A1; U.S. Publica-

tion No. US-2005-0090607-A1; U.S. Publication No. US-2005-0187720-A1; U.S. Publication No. US-2005-0161346-A1; U.S. Publication No. US-2006-0015020-A1; U.S. Publication No. US-2005-0043598-A1; U.S. Publication No. US-2003-0217966-A1; U.S. Publication No. US-2005-0033132-A1; U.S. Publication No. US-2005-0031689-A1; U.S. Publication No. US-2004-0186362-A1; U.S. Publication No. US-2005-0027463-A1; U.S. Publication No. US-2005-0027181-A1; U.S. Publication No. US-2005-0027180-A1; U.S. Publication No. US-2006-0020187-A1; U.S. Publication No. US-2006-0036142-A1; U.S. Publication No. US-2006-0020192-A1; U.S. Publication No. US-2006-0036143-A1; U.S. Publication No. US-2006-0036140-A1; U.S. Publication No. US-2006-0019327-A1; U.S. Publication No. US-2006-0020186-A1; U.S. Publication No. US-2006-0020189-A1; U.S. Publication No. US-2006-0036139-A1; U.S. Publication No. US-2006-0020191-A1; U.S. Publication No. US-2006-0020188-A1; U.S. Publication No. US-2006-0036141-A1; U.S. Publication No. US-2006-0020190-A1; U.S. Publication No. US-2006-0036145-A1; U.S. Publication No. US-2006-0036144-A1; U.S. Publication No. US-2006-0016700-A1; U.S. Publication No. US-2006-0142651-A1; U.S. Publication No. US-2006-0086624-A1; U.S. Publication No. US-2006-0068208-A1; U.S. Publication No. US-2006-0040402-A1; U.S. Publication No. US-2006-0036142-A1; U.S. Publication No. US-2006-0036141-A1; U.S. Publication No. US-2006-0036143-A1; U.S. Publication No. US-2006-0036140-A1; U.S. Publication No. US-2006-0036139-A1; U.S. Publication No. US-2006-0142651-A1; U.S. Publication No. US-2006-0036145-A1; U.S. Publication No. US-2006-0036144-A1; U.S. Publication No. US-2006-0200022-A1; U.S. Publication No. US-2006-0198864-A1; U.S. Publication No. US-2006-0200019-A1; U.S. Publication No. US-2006-0189856-A1; U.S. Publication No. US-2006-0200020-A1; U.S. Publication No. US-2006-0200970-A1; U.S. Publication No. US-2006-0183984-A1; U.S. Publication No. US-2006-0183985-A1; and U.S. Publication No. US-2006-0195029-A1.

Methods and devices that are suitable for use in conjunction with aspects of the preferred embodiments are disclosed in U.S. application Ser. No. 09/447,227 filed Nov. 22, 1999 and entitled "DEVICE AND METHOD FOR DETERMINING ANALYTE LEVELS"; U.S. application Ser. No. 11/335,879 filed Jan. 18, 2006 and entitled "CELLULOSIC-BASED INTERFERENCE DOMAIN FOR AN ANALYTE SENSOR"; U.S. application Ser. No. 11/334,876 filed Jan. 18, 2006 and entitled "TRANSCUTANEOUS ANALYTE SENSOR"; U.S. application Ser. No. 11/498,410 filed Aug. 2, 2006 and entitled "SYSTEMS AND METHODS FOR REPLACING SIGNAL ARTIFACTS IN A GLUCOSE SENSOR DATA STREAM"; U.S. application Ser. No. 11/515,443 filed Sep. 1, 2006 and entitled "SYSTEMS AND METHODS FOR PROCESSING ANALYTE SENSOR DATA"; U.S. application Ser. No. 11/503,367 filed Aug. 10, 2006 and entitled "ANALYTE SENSOR"; and U.S. application Ser. No. 11/515,342 filed Sep. 1, 2006 and entitled "SYSTEMS AND METHODS FOR PROCESSING ANALYTE SENSOR DATA".

All references cited herein are incorporated herein by reference in their entireties. To the extent publications and patents or patent applications incorporated by reference contradict the disclosure contained in the specification, the specification is intended to supersede and/or take precedence over any such contradictory material.

The above description discloses several methods and materials of the present invention. This invention is susceptible to modifications in the methods and materials, as well as alterations in the fabrication methods and equipment. Such modifications will become apparent to those skilled in the art from a consideration of this disclosure or practice of the invention disclosed herein. Consequently, it is not intended that this invention be limited to the specific embodiments disclosed herein, but that it cover all modifications and alternatives coming within the true scope and spirit of the invention as embodied in the attached claims.

What is claimed is:

1. A glucose sensor system configured for insertion into a host for measuring a glucose concentration in the host, the system comprising:

a sensor comprising a first working electrode and a second working electrode, wherein the first working electrode is configured to generate a first signal associated with glucose and non-glucose related electroactive compounds, the glucose and non-glucose related electroactive compounds having a first oxidation potential; wherein the non-glucose related electroactive compounds with an oxidation potential that substantially overlaps with the first oxidation potential, and wherein the first working electrode and the second working electrode are configured and arranged symmetrically about a central longitudinal axis along an overlapping length of the sensor such that the central longitudinal axis passes through each of the working electrodes; and

electronics operably connected to the first working electrode and the second working electrode and configured to process the first signal and the second signal to generate a glucose concentration substantially without signal contribution due to in vivo mechanical factors.

2. The system of claim 1, wherein at least some of the non-glucose related electroactive compounds are substantially non-constant.

3. The system of claim 1, wherein the mechanical factors are selected from the group consisting of macro-motion of the sensor, micro-motion of the sensor, pressure on the sensor, and stress on the sensor.

4. The system of claim 1, wherein the system is configured and arranged to remove noise caused by at least one of biochemical factors and chemical factors.

5. The system of claim 4, wherein at least one of the biochemical factors and the chemical factors are substantially non-constant and are selected from the group consisting of compounds with electroactive acidic groups, compounds with electroactive amine groups, compounds with electroactive sulfhydryl groups, urea, lactic acid, phosphates, citrates, peroxides, amino acids, amino acid precursors, amino acid break-down products, nitric oxide, nitric oxide-donors, nitric oxide-precursors, electroactive species produced during cell metabolism, electroactive species produced during wound healing, and electroactive species that arise during body pH changes.

6. The system of claim 4, wherein the first working electrode and the second working electrode are configured to substantially equally measure noise due to at least one of the biochemical factors and the chemical factors.

7. The system of claim 1, wherein the electronics are configured to subtract the second signal from the first signal, whereby a differential signal comprising at least one glucose sensor data point is determined.

8. The system of claim 7, wherein the electronics comprise a differential amplifier configured to electronically subtract the second signal from the first signal.

9. The system of claim 7, wherein the electronics comprise at least one of hardware and software configured to digitally subtract the second signal from the first signal.

10. The system of claim 1, wherein the first working electrode and the second working electrode are configured to be impacted by mechanical factors and biochemical species to substantially the same extent.

11. The system of claim 10, wherein the first working electrode and the second working electrode have a configuration selected from the group consisting of coaxial, helically twisted, bundled, and combinations thereof.

12. The system of claim 1, further comprising an insulator positioned between the first working electrode and the second working electrode.

13. The system of claim 12, wherein each of the first working electrode, the second working electrode, and the insulator are configured provide at least two functions selected from the group consisting of electrical conductance, insulative property, structural support, and diffusion barrier.

14. The system of claim 1, wherein the sensor comprises a diffusion barrier configured to substantially block diffusion of at least one of the analyte and the co-analyte between the first working electrode and the second working electrode.

15. The system of claim 1, wherein the sensor further comprises an insulator located between the first and second working electrodes, and wherein the first working electrode, the second working electrode, and the insulator integrally form a substantial portion of the sensor configured for insertion in the host.

16. The system of claim 15, further comprising a reference electrode, wherein the first working electrode, the second working electrode, and the reference electrode integrally form a substantial portion of the sensor configured for insertion in the host.

17. The system of claim 1, wherein the first working electrode and second working electrode are substantially identical.

18. The system of claim 1, wherein each of the first working electrode and the second working electrode comprises a wire with a diameter of from about 0.001 inches to about 0.010 inches.

19. The system of claim 1, wherein the sensor has a width of no more than about 0.015 inches.

20. The system of claim 1, wherein the first working electrode and the second working electrode are twisted together.

21. The system of claim 1, wherein a surface area of the first working electrode is equal to a surface area of the second working electrode.

22. The system of claim 1, further comprising a membrane located over the first working electrode and second working electrode, wherein the membrane comprises an interference domain.

23. An analyte sensor system configured for insertion into a host for measuring an analyte in the host, the system comprising:

a continuous analyte sensor comprising a first working electrode *configured to generate a first signal* and a second working electrode *configured to generate a second signal*, wherein the first working electrode is disposed beneath an active enzymatic portion of a membrane; wherein the second working electrode is disposed beneath an inactive-enzymatic or non-enzymatic portion of a membrane, and wherein the first working electrode and the second working electrode are configured to measure interfering biochemical species such that signal contribution associated with the interfering biochemical species can be substantially removed continuously for a

time period, wherein the time period is between about a few hours and about 10 days; and electronics operably connected to the first working electrode and the second working electrode, and configured to process the first signal and the second signal to generate continuous sensor analyte data substantially without signal contribution due the biochemical species for said time period.

24. The system of claim 23, wherein the signal contribution associated with the interfering biochemical species is substantially non-constant.

25. The system of claim 23, wherein the electronics are configured to substantially remove noise caused by mechanical factors.

26. The system of claim 25, wherein at least one of the mechanical factors is selected from the group consisting of macro-motion of the sensor, micro-motion of the sensor, pressure on the sensor, and stress on the sensor.

27. The system of claim 25, wherein the first working electrode and the second working electrode are configured to substantially equally measure noise due to mechanical factors, whereby noise caused by mechanical factors can be substantially removed.

28. The system of claim 23, wherein at least one of the interfering biochemical species is substantially non-constant and is selected from the group consisting of compounds with electroactive acidic groups, compounds with electroactive amine groups, compounds with electroactive sulfhydryl groups, urea, lactic acid, phosphates, citrates, peroxides, amino acids, amino acid precursors, amino acid break-down products, nitric oxide, nitric oxide-donors, nitric oxide-precursors, electroactive species produced during cell metabolism, electroactive species produced during wound healing, and electroactive species that arise during body pH changes.

29. The system of claim 23, further comprising at least one of a reference electrode and a counter electrode.

30. The system of claim 29, wherein at least one of the reference electrode and the counter electrode, together with the first working electrode and the second working electrode, integrally form at least a portion of the sensor.

31. The system of claim 29, wherein at least one of the reference electrode and the counter electrode is located at a position remote from the first working electrode and the second working electrode.

32. The system of claim 29, wherein a surface area of at least one of the reference electrode and the counter electrode is at least six times a surface area of at least one of the first working electrode and the second working electrode.

33. The system of claim 23, wherein the sensor is configured for implantation into the host.

34. The system of claim 33, wherein the sensor is configured for subcutaneous implantation in a tissue of the host.

35. The system of claim 33, wherein the sensor is configured for indwelling in a blood stream of the host.

36. The system of claim 23, wherein the analyte sensor comprises a glucose sensor, and wherein the [first working electrode is configured to generate a] first signal *is* associated with glucose and non-glucose related electroactive compounds, the glucose and the non-glucose related electroactive compounds having a first oxidation potential.

37. The system of claim 36, wherein the [second working electrode is configured to generate a] second signal *is* associated with non-glucose related electroactive compounds with an oxidation potential that substantially overlaps with the first oxidation potential.

38. The system of claim 37, wherein the non-glucose related electroactive species comprises at least one species

93

selected from the group consisting of interfering species, non-reaction-related hydrogen peroxide, and other electroactive species.

39. The system of claim 23, further comprising an insulator positioned between the first working electrode and the second working electrode.

40. The system of claim 39, wherein each of the first working electrode, the second working electrode, and the insulator are configured provide at least two functions selected from the group consisting of: electrical conductance, insulative property, structural support, and diffusion barrier.

41. The system of claim 23, wherein the sensor comprises a diffusion barrier configured to substantially block diffusion of at least one of an analyte and a co-analyte between the first working electrode and the second working electrode.

42. The system of claim 23, wherein the sensor further comprises an insulator located between the first and second working electrodes, and wherein the first working electrode, the second working electrode, and the insulator integrally form a substantial portion of the sensor configured for insertion in the host.

43. The system of claim 42, further comprising a reference electrode, wherein the first working electrode, the second working electrode, and the reference electrode integrally form a substantial portion of the sensor configured for insertion in the host.

94

44. The system of claim 23, wherein the first working electrode and the second working electrode are configured to be impacted by mechanical factors to substantially the same extent.

45. The system of claim 44, wherein the first working electrode and the second working electrode have a configuration selected from the group consisting of coaxial, helically twisted, bundled, symmetrical, and combination thereof.

46. The system of claim 23, wherein the first working electrode and the second working electrode are configured and arranged with a symmetry about the central, longitudinal axis of the sensor.

47. The system of claim 23, wherein each of the first working electrode and the second working electrode comprises a wire with a diameter from about 0.001 inches to about 0.010 inches.

48. The system of claim 23, wherein the sensor has a width of no more than about 0.015 inches.

49. The system of claim 23, wherein the first working electrode and the second working electrode are twisted together.

50. The system of claim 23, wherein a surface area of the first working electrode is equal to a surface area of the second working electrode.

51. The system of claim 23, wherein the membrane comprises an interference domain located over the first and second working electrodes.

* * * * *

UNITED STATES PATENT AND TRADEMARK OFFICE
CERTIFICATE OF CORRECTION

PATENT NO. : RE43,039 E
APPLICATION NO. : 12/839260
DATED : December 20, 2011
INVENTOR(S) : Brister et al.

Page 1 of 1

It is certified that error appears in the above-identified patent and that said Letters Patent is hereby corrected as shown below:

| Issued Patent | | |
|--|-----------------|---|
| Column | Line | |
| Sheet 4 of 21 (Ref. Numeral 36) (FIG. 4) | 3 | Change "POTENTIOST" to --POTENTIOSTAT--. |
| Sheet 4 of 21 (Ref. Numeral 37) (FIG. 4) | 3 | Change "POTENTIOST" to --POTENTIOSTAT--. |
| Sheet 6 of 21 (FIG. 6) | 3 (Approx.) | Change "7" to --70--. |
| Sheet 20 of 21 (FIG. 14) | 14 (Approx.) | Change "Time" to --Time (minutes)--. |
| 19 | 25 | Change "andrenostenedione;" to --androstenedione;--. |
| 19 | 46 | Change "peroxidase;" to --peroxidase;--. |
| 19 | 67 | Change "pallidium," to --pallidum,--. |
| 20 | 21 | Change "(barbituates," to --(barbiturates,--. |
| 31 | 59 | Change "can by" to --can be--. |

Signed and Sealed this
Fifteenth Day of May, 2012



David J. Kappos
Director of the United States Patent and Trademark Office