

US00RE43027E

(19) **United States**
(12) **Reissued Patent**
Zinn et al.

(10) **Patent Number:** **US RE43,027 E**
(45) **Date of Reissued Patent:** **Dec. 13, 2011**

(54) **SYSTEM AND METHOD FOR FACILITATING SHORT-RANGE WIRELESS COMMUNICATIONS BETWEEN A MOBILE WIRELESS DEVICE AND AN AUXILIARY SYSTEM**

(75) Inventors: **Scotte Zinn**, Kitchener (CA); **Sean Wilson**, Branchton (CA)

(73) Assignee: **Research in Motion Limited**, Waterloo, Ontario (CA)

(21) Appl. No.: **12/914,438**

(22) Filed: **Oct. 28, 2010**

Related U.S. Patent Documents

Reissue of:

(64) Patent No.: **7,603,145**
Issued: **Oct. 13, 2009**
Appl. No.: **10/841,441**
Filed: **May 10, 2004**

(51) **Int. Cl.**
H04M 1/00 (2006.01)
H04B 1/38 (2006.01)

(52) **U.S. Cl.** **455/574**; 455/569.1; 455/569.2; 455/41.2; 455/90.1; 455/556.1; 455/552.1; 455/553.1; 455/74; 455/74.1; 455/418

(58) **Field of Classification Search** 455/41.1–41.2, 455/552.1, 553.1, 556.1–556.2, 557, 569.1–569.2, 455/572–574, 575.1, 575.9, 90.1–90.3, 11.1, 455/74, 74.1, 418–420

See application file for complete search history.

(56) **References Cited**

U.S. PATENT DOCUMENTS

5,960,411 A * 9/1999 Hartman et al. 705/26.81
6,236,868 B1 * 5/2001 Lygas 455/569.2
6,438,585 B2 * 8/2002 Mousseau et al. 709/206

6,697,638 B1 * 2/2004 Larsson et al. 455/553.1
2001/0005864 A1 6/2001 Mousseau et al.
2002/0029258 A1 3/2002 Mousseau et al.
2002/0139822 A1 * 10/2002 Infanti 224/197
2002/0172336 A1 * 11/2002 Postma et al. 379/110.01
2002/0194285 A1 12/2002 Mousseau et al.
2003/0109275 A1 * 6/2003 Vander Veen et al. 455/550
2003/0128195 A1 * 7/2003 Banerjee et al. 345/179
2003/0224727 A1 * 12/2003 Luzzatto 455/41.1

(Continued)

FOREIGN PATENT DOCUMENTS

CA 2445413 A1 4/2004

(Continued)

OTHER PUBLICATIONS

Office Action issued on U.S. Appl. No. 2,506,392, dated May 20, 2009.

(Continued)

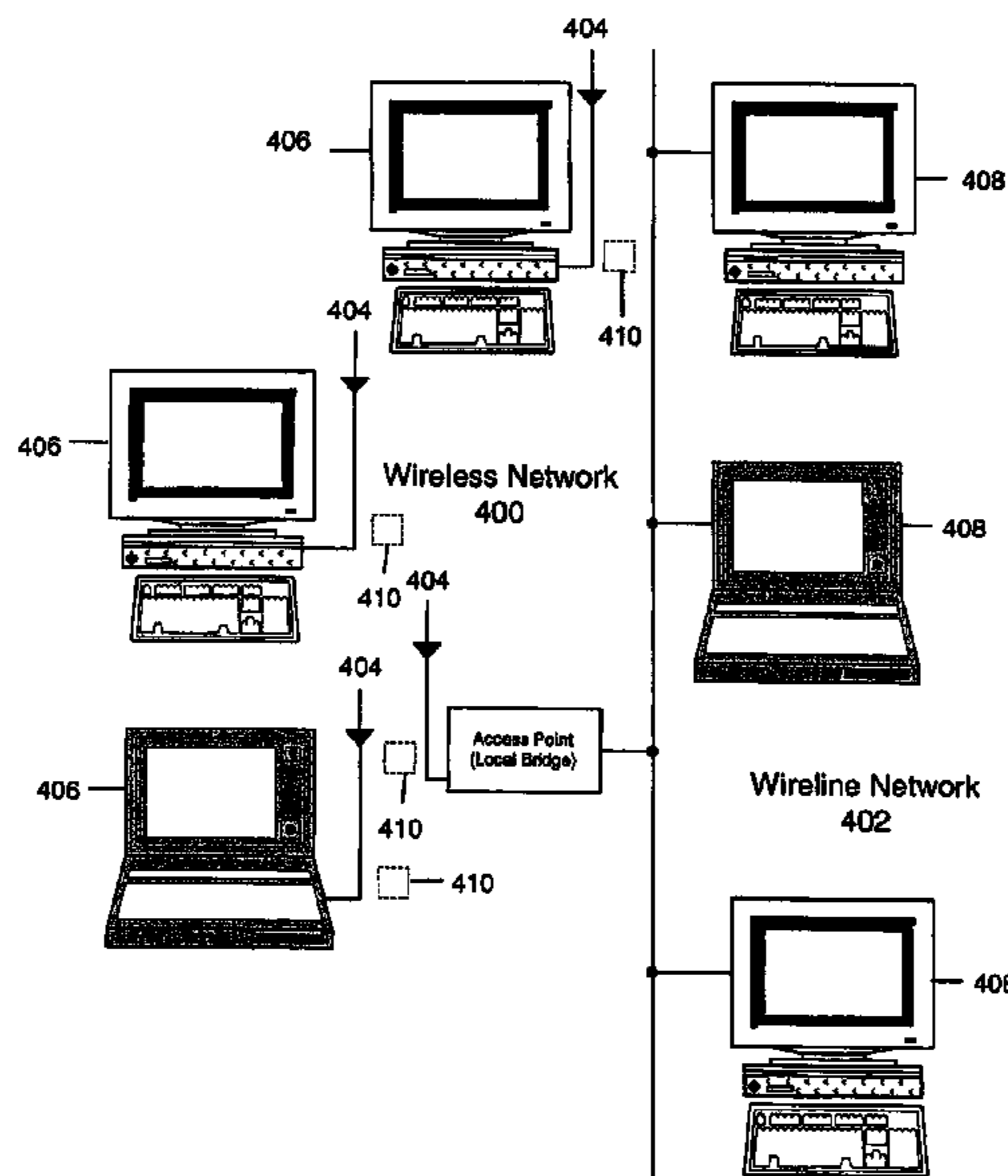
Primary Examiner — Tuan A Tran

(74) *Attorney, Agent, or Firm* — Bereskin & Parr LLP/S.E.N.C.R.L., s.r.l.

(57) **ABSTRACT**

The present invention relates to a system and method for facilitating short-range wireless communications between a mobile wireless device and an auxiliary device. The wireless device includes a short-range transceiver for communicating with an auxiliary device; a signal module for providing a mode control signal; and, a control module for controllably shifting a short-range transceiver between a power saver mode and a search mode based on the mode control signal received from the signal module. When in the search mode, the short-range transceiver is operable to search for the auxiliary device to communicate therewith. When in a power saver mode, the short-range transceiver is not operable to search for the auxiliary device.

24 Claims, 7 Drawing Sheets



US RE43,027 E

Page 2

U.S. PATENT DOCUMENTS

2004/0003232 A1* 1/2004 Levenson et al. 713/155
2004/0024795 A1* 2/2004 Hind et al. 707/204
2004/0203381 A1* 10/2004 Cahn et al. 455/41.2

FOREIGN PATENT DOCUMENTS

CA 2506392 C 10/2010
GB 2 382 953 11/2003
WO WO 02/47321 6/2002
WO 02079961 A2 10/2002

OTHER PUBLICATIONS

Office Action issued on U.S. Appl. No. 2,506,392, Feb. 5, 2008.

Office Action issued on application No. 04 102 008.2, dated Jan. 23, 2006.

European Search Report on application No. 04 102 008.2, dated Oct. 14, 2004.

Office Action issued on application No. 04 102 008.2, dated Oct. 21, 2004.

Certificate of Grant for European Patent No. 1596537, dated Aug. 9, 2006.

Office Action issued on U.S. Appl. No. 12/553,139 dated Aug. 31, 2010.

Annex to EPO Form 2004, Communication under Rule 51(4) EPC; Bibliographical data of European patent application No. 04 102 008.2-2412, dated Jan. 23, 2006.

* cited by examiner

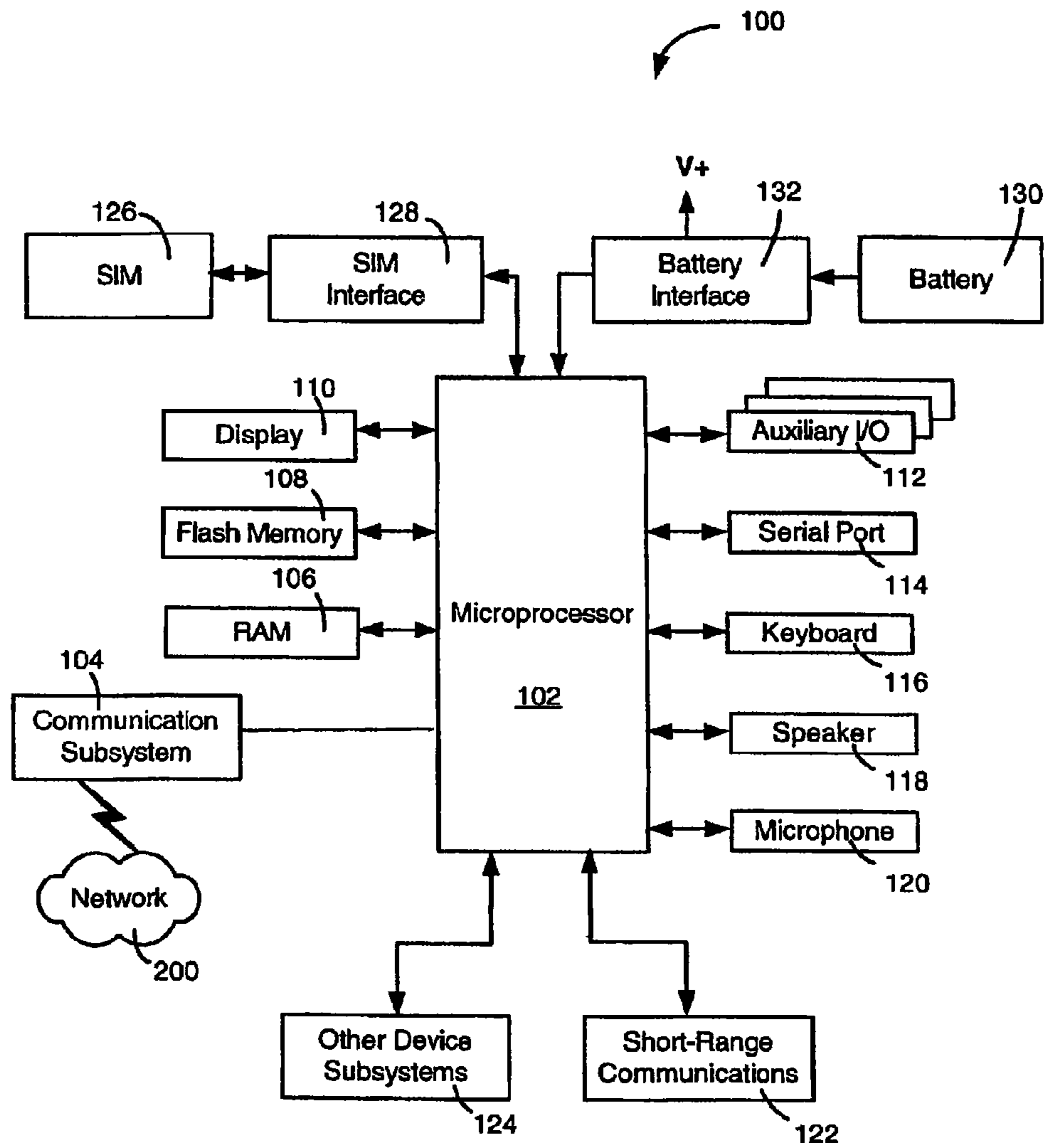


FIG. 1

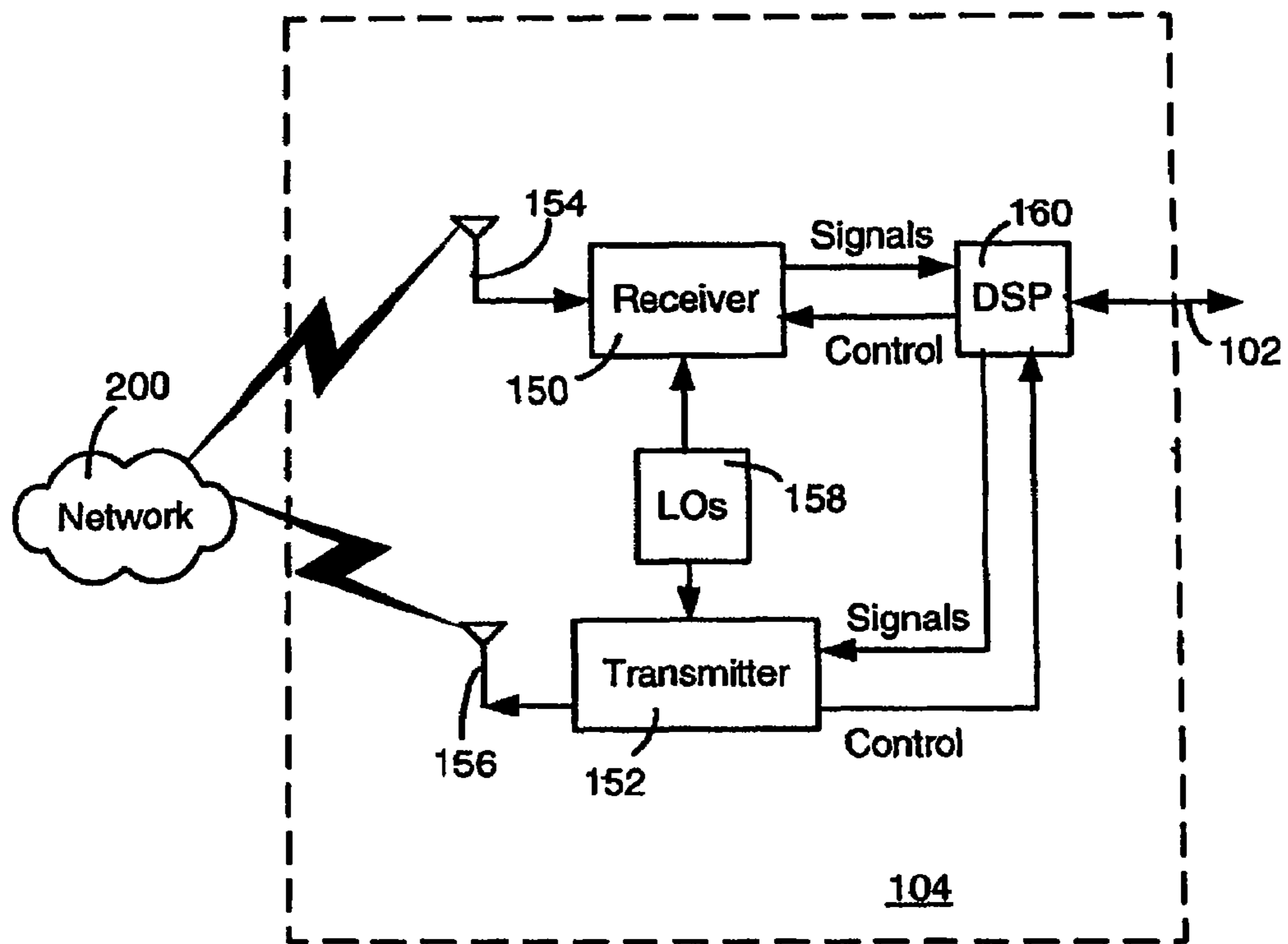


FIG. 2

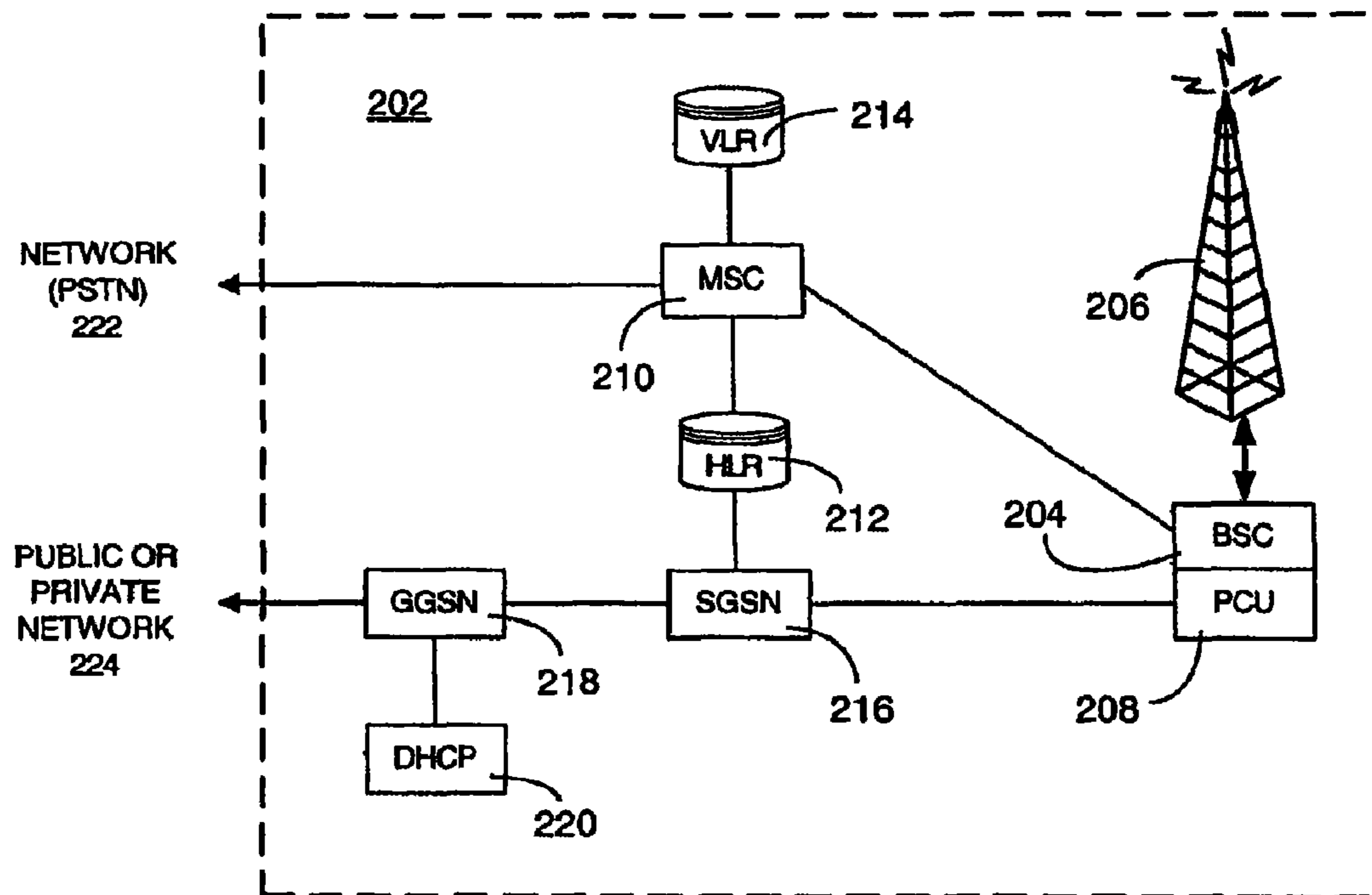


FIG. 3

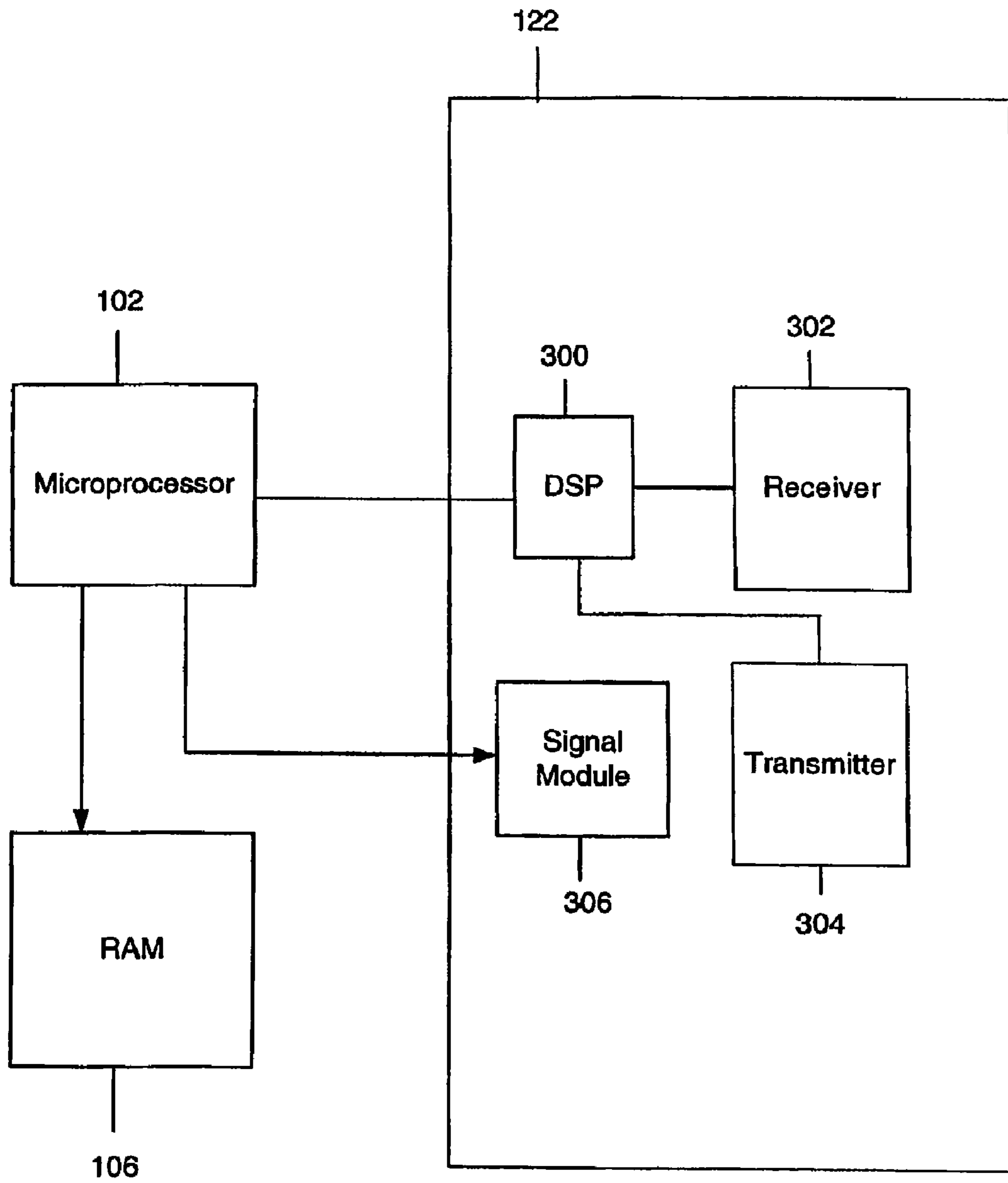


FIG. 4a

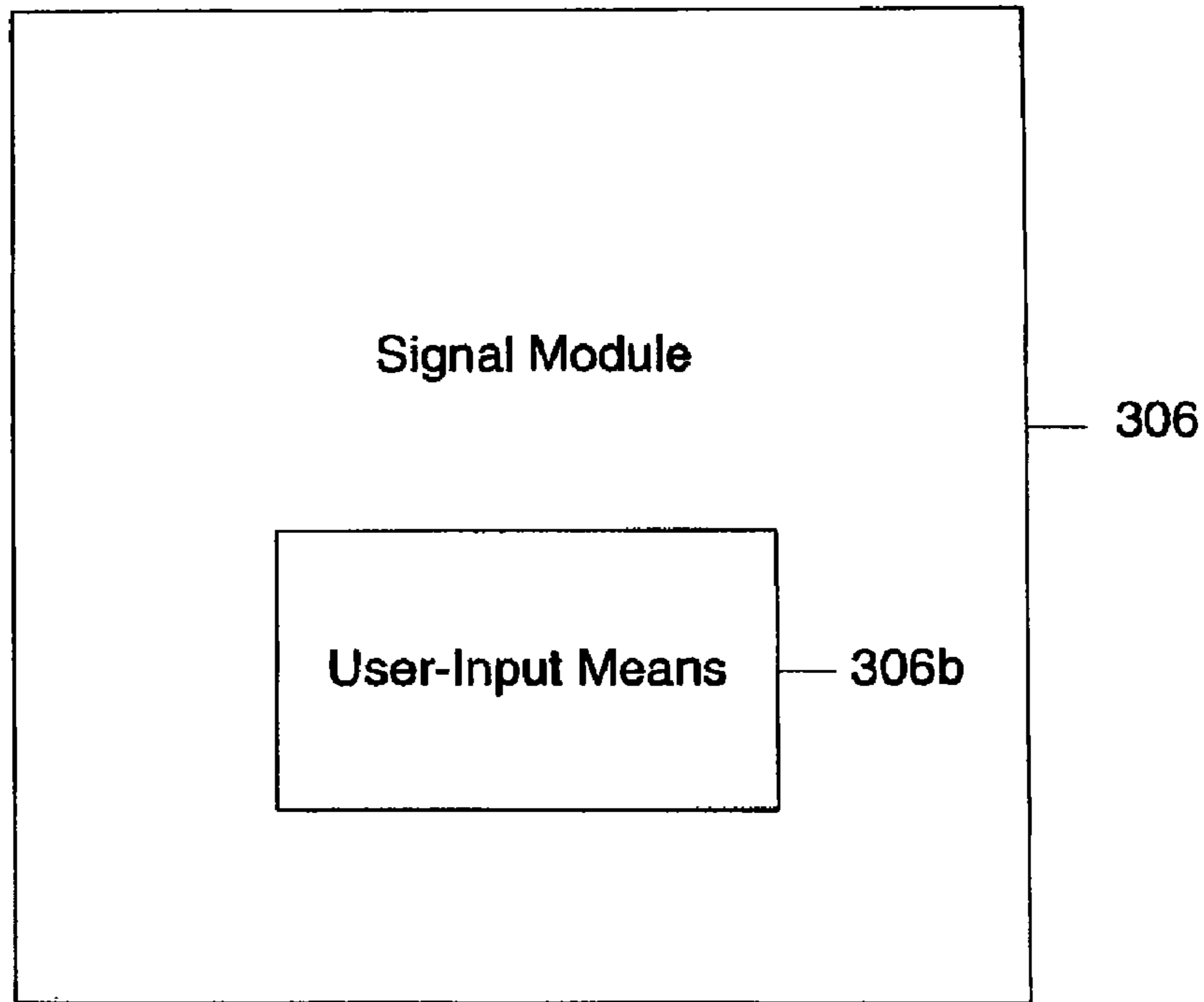


FIG. 4b

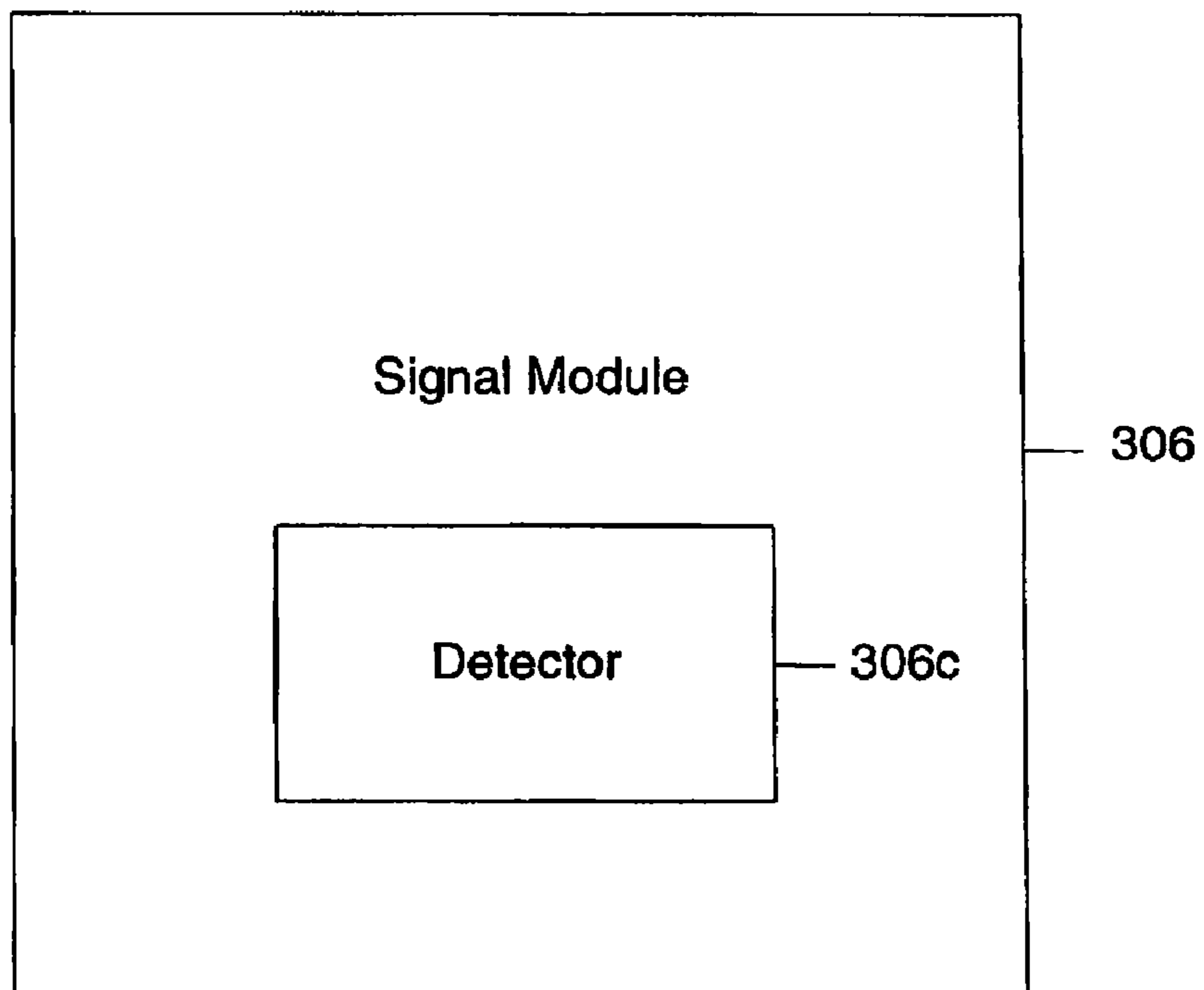


FIG. 4c

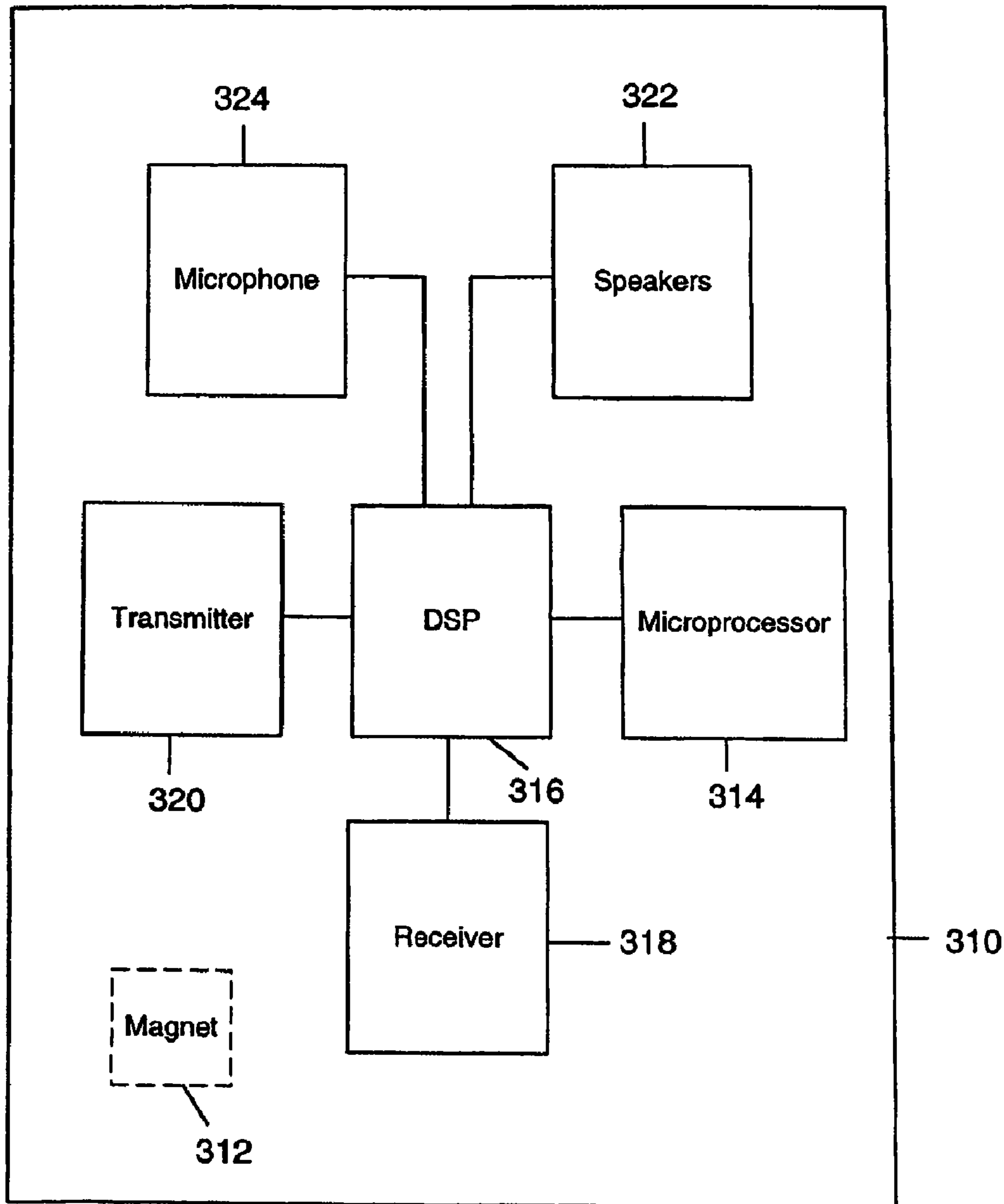


FIG. 5

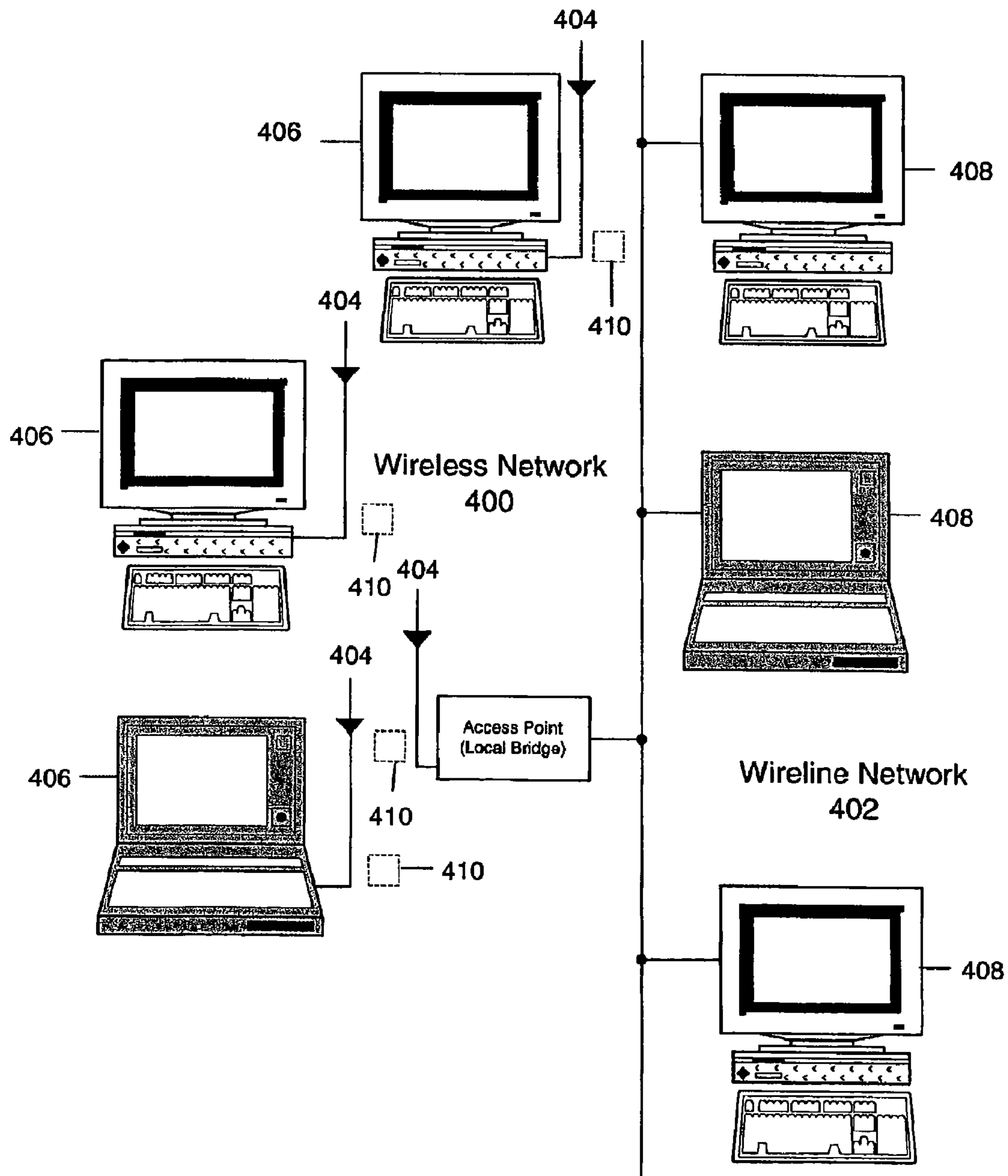


FIG. 6

1

**SYSTEM AND METHOD FOR FACILITATING
SHORT-RANGE WIRELESS
COMMUNICATIONS BETWEEN A MOBILE
WIRELESS DEVICE AND AN AUXILIARY
SYSTEM**

Matter enclosed in heavy brackets [] appears in the original patent but forms no part of this reissue specification; matter printed in italics indicates the additions made by reissue.

FIELD OF THE INVENTION

The present invention relates generally to wireless communication devices. More particularly, it relates to short-range communication between wireless communication devices and auxiliary systems.

BACKGROUND OF THE INVENTION

Wireless devices, with or without advanced data communication capabilities, are increasingly ubiquitous. Such wireless devices include data messaging devices, two-way pagers, cellular telephones, cellular telephones with data messaging capabilities, wireless Internet appliances, and data communication devices (with or without telephony capabilities). With the increasing ubiquity of such wireless devices, it becomes increasingly important to provide interoperability between these wireless devices and other electronic systems with which the wireless devices interacts.

For example, it is important that a wireless device, such as a data messaging device, be interoperable with the personal computer of the user to enable the user to operate from either the data messaging device or the personal computer, and to switch back and forth between using each device. For this to happen, the data messaging device and the personal computer should preferably automatically update the information stored on each to reflect user operations on the other device. In the case of other wireless devices, such as, for example, a cellular telephone, it is desirable that the cellular telephone be able to interact with other electronic systems, such as the audio system of an automobile. Thus, a user should preferably be able to use a cellular telephone via the microphone and speakers of the automobile, rather than the headset of the cellular telephone itself. This frees the user's hands for driving, and makes using the cellular telephone more convenient.

The interoperability of wireless devices with other electronic systems should not interfere with stand-alone functions of the wireless device, and should be as automatic as possible, such that user input is reduced to a minimum. There remains a need to increase the interoperability of wireless devices with other electronic systems while minimizing any inconvenience to the user.

SUMMARY OF THE INVENTION

In accordance with a first aspect of the present invention there is provided a wireless device comprising: (a) a short-range transceiver for communicating with an auxiliary device; (b) a signal module for providing a mode control signal; and, (c) a control module for controllably shifting the short-range transceiver between a power saver mode and a search mode based on the mode control signal received from the signal module.

When in the search mode, the short-range transceiver is operable to search for the auxiliary device to communicate

2

therewith. When in the power saver mode, the short-range transceiver is not operable to search for the auxiliary device.

In accordance with a preferred embodiment of this first aspect of the invention, the signal module comprises a single-action user-input means for, in response to performance of only a single action, instructing the signal module to send a mode control to the control module.

In accordance with a further preferred embodiment of this first aspect of the invention, the signal module comprises a detector for detecting when the auxiliary device is in close proximity, the signal module being operable to send a first signal when the detector detects that the auxiliary device is in close proximity and a second signal when the detector detects that the auxiliary device is not in close proximity. The control module is operable to shift the short-range transceiver from the power saver mode to the search mode when the first signal is received from the signal module, and from the search mode to the power saver mode when the second signal is received from the signal module.

In accordance with a second aspect of the invention, there is provided a method of controlling short-range wireless communication between a wireless device and an auxiliary device. The wireless device includes a detector for detecting a proximate device indicator. The method comprises providing the proximate device indicator near to the auxiliary device to indicate proximity of the auxiliary device to the wireless device, and initiating short-range communication between the wireless device and the auxiliary device based on the proximate device indicator indicating proximity of the auxiliary device to the wireless device.

Preferably, the proximate device indicator comprises a magnet, and the detector is operable to detect the magnet.

In accordance with a third aspect of the present invention, there is provided a wireless system comprising: (a) an auxiliary device having a short-range communication module; (b) a proximate device indicator for indicating proximity of the auxiliary device, wherein the proximity device indicator is located proximate to the auxiliary device; and, (c) a wireless device. The wireless device comprises: (i) a short-range transceiver for communicating with the auxiliary device; (ii) a detector for detecting when the proximate device indicator is in close proximity; and, (iii) a control module for controllably shifting the short-range transceiver from a power saver mode to a search mode when the detector detects that the proximate device indicator is in close proximity, and for controllably shifting the short-range transceiver from a search mode to a power saver mode when the detector detects that the proximate device indicator is not in close proximity. When in the search mode, the short-range transceiver is operable to search for the short-range communication module of the auxiliary device to communicate therewith. When in the power saver mode, the short-range transceiver is not operable to search for the short-range communication module of the auxiliary device.

BRIEF DESCRIPTION OF THE DRAWINGS

For a better understanding of the present invention, and to show more clearly how it may be carried into effect, reference will now be made, by way of example, to the accompanying drawings which aid in understanding an embodiment of the present invention and in which:

FIG. 1 is a block diagram of a mobile station in accordance with an aspect of the present invention;

FIG. 2 is a block diagram of a communication subsystem component of the mobile station of FIG. 1;

FIG. 3 is a block diagram of a node of a wireless network;

3

FIG. 4a is a block diagram of a short-range communication subsystem of the mobile station of FIG. 1;

FIG. 4b is a block diagram of a first variant of a signal module of the short-range communication subsystem of FIG. 4;

FIG. 4c is a block diagram of a second variant of the signal module of the short-range communication subsystem of FIG. 4;

FIG. 5 is a block diagram of an audio system of an automobile, together with a magnet situated nearby in accordance with a further aspect of the present invention; and,

FIG. 6, in a block diagram, illustrates a short-range wireless network in accordance with a still further aspect of the present invention.

DETAILED DESCRIPTION OF THE PREFERRED EMBODIMENTS OF THE INVENTION

Aspects of the present invention make use of a mobile station. A mobile station is a two-way communication device, possibly including advanced data communication capabilities, having the capability to communicate with other computer systems. A mobile station may also include the capability for voice communications. Depending on the functionality provided by a mobile station, it may be referred to as a data messaging device, a two-way pager, a wireless e-mail device, a cellular telephone, a cellular telephone with data messaging capabilities, a wireless Internet appliance, or a data communication device (with or without telephony capabilities). A mobile station communicates with other devices through a network of transceiver stations.

To aid the reader in understanding the structure of a mobile station and how it communicates with other devices we refer now to FIGS. 1 to 3.

Referring first to FIG. 1, a block diagram of a mobile station is shown generally as 100. Mobile station 100 comprises a number of components, the controlling component being microprocessor 102. Microprocessor 102 controls overall operation of mobile station 100. Communication functions, including data and voice communications, are performed through communication subsystem 104. Communication subsystem 104 receives messages from and sends messages to a wireless network 200. In an embodiment of the present invention, communication subsystem 104 is configured in accordance with the Global System for Mobile Communication (GSM) and General Packet Radio Services (GPRS) standards. The GSM/GPRS wireless network is used worldwide and it is expected these standards will be superseded eventually by Enhanced Data GSM Environment (EDGE) and Universal Mobile Telecommunications Service (UMTS). New standards are still being defined, but it is believed they will have similarities to the network behaviour described herein, and it will also be understood that the invention is intended to use any other suitable standards that are developed in the future. The wireless link connecting communication subsystem 104 with network 200 represents one or more different Radio Frequency (RF) channels, operating according to defined protocols specified for GSM/GPRS communications. With newer network protocols, these channels are capable of supporting both circuit switched voice communications and packet switched data communications.

Microprocessor 102 also interacts with additional subsystems such as a Random Access Memory (RAM) 106, flash memory 108, display 110, auxiliary input/output (I/O) subsystem 112, serial port 114, keyboard 116, speaker 118, microphone 120, short-range communications 122 and other devices 124.

4

Some of the subsystems of mobile station 100 perform communication-related functions, whereas other subsystems may provide "resident" or on-device functions. By way of example, display 110 and keyboard 116 may be used for both communication-related functions, such as entering a text message for transmission over network 200, and device-resident functions such as a calculator or task list. Operating system software used by microprocessor 102 is typically stored in a persistent store such as flash memory 108, which may alternatively be a read-only memory (ROM) or similar storage element (not shown). Those skilled in the art will appreciate that the operating system, specific device applications, or parts thereof, may be temporarily loaded into a volatile store such as RAM 106.

Mobile station 100 may send and receive communication signals over network 200 after required network registration or activation procedures have been completed. Network access is associated with a subscriber or user of a mobile station 100. To identify a subscriber, mobile station 100 requires a Subscriber Identity Module or "SIM" card 126 to be inserted in a SIM interface 128 in order to communicate with a network. SIM 126 is one type of a conventional "smart card" used to identify a subscriber of mobile station 100 and to personalize the mobile station 100, among other things. Without SIM 126, mobile station 100 is not fully operational for communication with network 200. By inserting SIM 126 into SIM interface 128, a subscriber can access all subscribed services. Services could include: web browsing and messaging such as email, voice mail, Short Message Service (SMS), and Multimedia Messaging Services (MMS). More advanced services may include: point of sale, field service and sales force automation. SIM 126 includes a processor and memory for storing information. Once SIM 126 is inserted in SIM interface 128, it is coupled to microprocessor 102. In order to identify the subscriber, SIM 126 contains some user parameters such as an International Mobile Subscriber Identity (IMSI). An advantage of using SIM 126 is that a subscriber is not necessarily bound by any single physical mobile station. SIM 126 may store additional subscriber information for a mobile station as well, including datebook (or calendar) information and recent call information.

Mobile station 100 is a battery-powered device and includes a battery interface 132 for receiving one or more rechargeable batteries 130. Battery interface 132 is coupled to a regulator (not shown) which assists battery 130 in providing power $V+$ to mobile station 100. Although current technology makes use of a battery, future technologies such as micro fuel cells may provide the power to mobile station 100.

Microprocessor 102, in addition to its operating system functions, enables execution of software applications on mobile station 100. A set of applications which control basic device operations, including data and voice communication applications will normally be installed on mobile station 100 during its manufacture. Another application that may be loaded onto mobile station 100 would be a personal information manager (PIM). A PIM has functionality to organize and manage data items of interest to a subscriber, such as, but not limited to, e-mail, calendar events, voice mails, appointments, and task items. A PIM application has the ability to send and receive data items via wireless network 200. In one embodiment, PIM data items are seamlessly integrated, synchronized, and updated via wireless network 200 with the mobile station subscriber's corresponding data items stored and/or associated with a host computer system. This functionality creates a mirrored host computer on mobile station 100 with respect to such items. This is especially advanta-

geous where the host computer system is the mobile station subscriber's office computer system.

Additional applications may also be loaded onto mobile station **100** through network **200**, auxiliary I/O subsystem **112**, serial port **114**, short-range communications subsystem **122**, or any other suitable subsystem **124**. This flexibility in application installation increases the functionality of mobile station **100** and may provide enhanced on-device functions, communication-related functions, or both. For example, secure communication applications may enable electronic commerce functions and other such financial transactions to be performed using mobile station **100**.

Serial port **114** enables a subscriber to set preferences through an external device or software application and extends the capabilities of mobile station **100** by providing for information or software downloads to mobile station **100** other than through a wireless communication network. The alternate download path may, for example, be used to load an encryption key onto mobile station **100** through a direct and thus reliable and trusted connection to provide secure device communication.

Short-range communications subsystem **122** provides for communication between mobile station **100** and different systems or devices, without the use of network **200**. For example, subsystem **122** may include an infrared device and associated circuits and components for short-range communication. Examples of short range communication would include standards developed by the Infrared Data Association (IrDA), Bluetooth, and the 802.11 family of standards developed by IEEE.

In use, a received signal such as a text message, an e-mail message, or web page download will be processed by communication subsystem **104** and input to microprocessor **102**. Microprocessor **102** will then process the received signal for output to display **110** or alternatively to auxiliary I/O subsystem **112**. A subscriber may also compose data items, such as e-mail messages, for example, using keyboard **116** in conjunction with display **110** and possibly auxiliary I/O subsystem **112**. Auxiliary subsystem **112** may include devices such as: a touch screen, mouse, track ball, infrared fingerprint detector, or a roller wheel with dynamic button pressing capability. Keyboard **116** is an alphanumeric keyboard and/or telephone-type keypad. A composed item may be transmitted over network **200** through communication subsystem **104**.

For voice communications, the overall operation of mobile station **100** is substantially similar, except that the received signals would be output to speaker **118**, and signals for transmission would be generated by microphone **120**. Alternative voice or audio I/O subsystems, such as a voice message recording subsystem, may also be implemented on mobile station **100**. Although voice or audio signal output is accomplished primarily through speaker **118**, display **110** may also be used to provide additional information such as the identity of a calling party, duration of a voice call, or other voice call related information.

Referring now to FIG. 2, a block diagram of the communication subsystem component **104** of FIG. 1 is shown. Communication subsystem **104** comprises a receiver **150**, a transmitter **152**, one or more embedded or internal antenna elements **154**, **156**, Local Oscillators (LOs) **158**, and a processing module such as a Digital Signal Processor (DSP) **160**.

The particular design of communication subsystem **104** is dependent upon the network **200** in which mobile station **100** is intended to operate. Thus it should be understood that the design illustrated in FIG. 2 serves only as one example. Signals received by antenna **154** through network **200** are input to receiver **154**, which may perform such common receiver

functions as signal amplification, frequency down conversion, filtering, channel selection, and analog-to-digital (A/D) conversion. A/D conversion of a received signal allows more complex communication functions such as demodulation and decoding to be performed in DSP **160**. In a similar manner, signals to be transmitted are processed, including modulation and encoding, by DSP **160**. These DSP-processed signals are input to transmitter **152** for digital-to-analog (D/A) conversion, frequency up conversion, filtering, amplification and transmission over network **200** via antenna **156**. DSP **160** not only processes communication signals, but also provides for receiver and transmitter control. For example, the gains applied to communication signals in receiver **150** and transmitter **152** may be adaptively controlled through automatic gain control algorithms implemented in DSP **160**.

The wireless link between mobile station **100** and a network **200** may contain one or more different channels, typically different radio frequency (RF) channels, and associated protocols used between mobile station **100** and network **200**. A RF channel is a limited resource that must be conserved, typically due to limits in overall bandwidth and limited battery power of mobile station **100**.

When mobile station **100** is fully operational, transmitter **152** is typically keyed or turned on only when it is sending to network **200** and is otherwise turned off to conserve resources. Similarly, receiver **150** is periodically turned off to conserve power until it is needed to receive signals or information (if at all) during designated time periods.

Referring now to FIG. 3 a block diagram of a node of a wireless network is shown as **202**. In practice, network **200** comprises one or more nodes **202**. Mobile station **100** communicates with a node **202** within wireless network **200**. In the embodiment of FIG. 3, node **202** is configured in accordance with General Packet Radio Service (GPRS) and Global Systems for Mobile (GSM) technologies. Node **202** includes a base station controller (BSC) **204** with an associated tower station **206**, a Packet Control Unit (PC U) **208** added for GPRS support in GSM, a Mobile Switching Center (MSC) **210**, a Home Location Register (HLR) **212**, a Visitor Location Registry (VLR) **214**, a Serving GPRS Support Node (SGSN) **216**, a Gateway GPRS Support Node (GGSN) **218**, and a Dynamic Host Configuration Protocol (DHCP) **220**. This list of components is not meant to be an exhaustive list of the components of every node **202** within a GSM/GPRS network, but rather a list of components that are commonly used in communications through network **200**.

In a GSM network, MSC **210** is coupled to BSC **204** and to a landline network, such as a Public Switched Telephone Network (PSTN) **222** to satisfy circuit switched requirements. The connection through PCU **208**, SGSN **216** and GGSN **218** to the public or private network (Internet) **224** represents the data path for GPRS capable mobile stations. In a GSM network extended with GPRS capabilities, BSC **204** also contains a Packet Control Unit (PCU) **208** that connects to SGSN **216** to control segmentation, radio channel allocation and to satisfy packet switched requirements. To track mobile station location and availability for both circuit switched and packet switched management, HLR **212** is shared between MSC **210** and SGSN **216**. Access to VLR **214** is controlled by MSC **210**.

Station **206** is a fixed transceiver station. Station **206** and BSC **204** together form the fixed transceiver equipment. The fixed transceiver equipment provides wireless network coverage for a particular coverage area commonly referred to as a "cell". The fixed transceiver equipment transmits communication signals to and receives communication signals from mobile stations within its cell via station **206**. The fixed trans-

ceiver equipment normally performs such functions as modulation and possibly encoding and/or encryption of signals to be transmitted to the mobile station in accordance with particular, usually predetermined, communication protocols and parameters, under control of its controller. The fixed transceiver equipment similarly demodulates and possibly decodes and decrypts, if necessary, any communication signals received from mobile station **100** within its cell. Communication protocols and parameters may vary between different nodes. For example, one node may employ a different modulation scheme and operate at different frequencies than other nodes.

For all mobile stations **100** registered with a specific network, permanent configuration data such as a user profile is stored in HLR **212**. HLR **212** also contains location information for each registered mobile station and can be queried to determine the current location of a mobile station. MSC **210** is responsible for a group of location areas and stores the data of the mobile stations currently in its area of responsibility in VLR **214**. Further VLR **214** also contains information on mobile stations that are visiting other networks. The information in VLR **214** includes part of the permanent mobile station data transmitted from HLR **212** to VLR **214** for faster access. By moving additional information from a remote HLR **212** node to VLR **214**, the amount of traffic between these nodes can be reduced so that voice and data services can be provided with faster response times and at the same time requiring less use of computing resources.

SGSN **216** and GGSN **218** are elements added for GPRS support; namely packet switched data support, within GSM. SGSN **216** and MSC **210** have similar responsibilities within wireless network **200** by keeping track of the location of each mobile station **100**. SGSN **216** also performs security functions and access control for data traffic on network **200**. GGSN **218** provides inter networking connections with external packet switched networks and connects to one or more SGSN's **216** via an Internet Protocol (IP) backbone networked operated within the network **200**. During normal operations a given mobile station **100** must perform a "GPRS Attach" to acquire an IP address and to access data services. This requirement is not present in circuit switched voice channels as ISDN addresses are used for routing incoming and outgoing calls. Currently, all GPRS capable networks use private, dynamically assigned IP addresses, thus requiring a DHCP server **220** connected to the GGSN **218**. There are many mechanisms for dynamic IP assignment, including using a combination of a Remote Authentication Dial-In User Service (RADIUS) Server and DHCP server. Once the GPRS Attach is complete, a logical connection is established from a mobile station **100**, through PCU **208**, and SGSN **216** to an Access Point Node (APN) within GGSN **218**. The APN represents a logical end of an IP tunnel that can either access direct Internet compatible services or private network connections. The APN also represents a security mechanism for network **200**, insofar as each mobile station **100** must be assigned to one or more APN's and mobile stations **100** cannot exchange data without first performing a GPRS Attach to an APN that it has been authorized to use. The APN may be considered to be similar to an Internet domain name such as "myconnection.wireless.com".

Once the GPRS Attach is complete, a tunnel is created and all traffic is exchanged within standard IP packets using any protocol that can be supported in IP packets. This includes tunneling methods such as IP over IP as in the case with some IPSecurity (IPSec) connections used with Virtual Private Networks (VPN). These tunnels are also referred to as Packet Data Protocol (PDP) Contexts and there are a limited number

of these available in the network **200**. To maximize use of the PDP Contexts, network **200** will run an idle timer for each PDP Context to determine if there is a lack of activity. When a mobile station is not using its PDP Context, the PDP Context can be deallocated and the IP address returned to the IP address pool managed by DHCP server **220**.

Referring to FIG. 4a, the short-range communication subsystem **122** of the mobile station **100** is illustrated in more detail in a block diagram. As shown, the short-range communication subsystem **122** comprises a DSP **300** linked on the one hand to microprocessor **102**, and, on the other hand, to receiver **302** and transmitter **304**. All of the components of short-range communication subsystem **122** are powered by battery **130** of microprocessor **102**.

As described above, short-range communication subsystem **122** provides for communication between mobile station **100** and different systems or devices without the use of network **200**. In some situations, this can be highly advantageous. For example, when mobile station **100** is in the vicinity of a short-range wireless network, information may be transmitted to and received by other wireless devices within this short-range wireless network using suitable protocols, such as the 802.11 family of standards developed by IEEE. This increases the bandwidth of the information that can be transmitted, and also, depending on the plan of the user of the mobile station **100**, can significantly reduce user costs arising from Internet access.

However, these advantages come at a price. Specifically, keeping the short-range communication subsystem **122** active consumes power. As mobile station **100** is typically battery driven by battery **130**, power is limited. Accordingly, a wireless device can typically function using the short-range communication subsystem **122** for only relatively short periods of time before battery **130** will require recharging. For this reason, it is desirable that short-range communication subsystem **122** be inactive except when circumstances exist for short-range communication.

Typically, short-range communication subsystems of wireless stations will periodically send out a signal that may be received by any transceivers operating nearby. If these nearby transceivers respond, then information can be sent from the mobile station to these transceivers via the short-range communication subsystem. However, as described above, the periodic transmission of signals from the short-range communication subsystem will consume limited power. Accordingly, it is desirable that this search by the short-range communication subsystem for nearby transceivers be curtailed unless there is some indication that such transceivers are in the vicinity.

One way of achieving this is to have the user of the mobile station indicate when wireless devices are nearby. However, this can be quite time-consuming and inconvenient. To address this problem, as shown in FIG. 4a, short-range communication subsystem **122** comprises a signal module **306**. The signal module **306** is operable to provide a mode control signal to the microprocessor **102**. Depending on the mode control signal received from the signal module **306**, the microprocessor **102** is operable to switch the short-range communication subsystem **122** between a search mode, in which the short-range communication subsystem **122** searches for suitable external transceivers, and a power saver mode, in which the short-range communication subsystem **122** does not look for an external transceiver with which to communicate.

Referring to FIG. 4b, there is illustrated in a block diagram a preferred variant of the signal module **306**. According to this variant, the signal module **306** comprises a single-action user

input means **306b**. This single-action user input means **306b** may be a button, or voice activated, or any other suitable device that can be operated by a single action by a user. This variant of the invention may be implemented on some conventional mobile stations using suitable software. That is, the mobile station can be configured by the software to provide an icon or other single-action user-input means **306b**.

When a user of a mobile station is in close proximity to a suitable auxiliary device, the user can, by performing the designated single action, indicate this to the signal module **306** via the single-action user input means **306b**. This single action might consist of simply clicking the button, or saying, for example, the word "car" or "mouse". The signal module **306** then sends a message to microprocessor **102**. The microprocessor **102** then instructs receiver **302** and transmitter **304** via DSP **300** to switch to the search mode in which the short-range communication subsystem **122** searches for suitable external transceivers. Conversely, when the user does not wish the mobile station to be in the search mode, the user can, by performing the designated single action, send another message to microprocessor **102**. Microprocessor **102** can then instruct short-range communication subsystem **122** to stand down in a power saver mode during which the short-range communication subsystem **122** does not look for an external receiver with which to communicate.

Referring to FIG. **4c**, there is illustrated in a block diagram a further preferred variant of the signal module **306** of FIG. **4a**. According to this embodiment, the signal module **306** comprises a detector **306c**. Detector **306c** is configured to detect the presence of a proximity indicator located near to an external transceiver suitable for communicating with transmitter **304** and receiver **302** of short-range communication subsystem **122**. When detector **306c** detects the presence of the proximity indicator, a message is sent by signal module **306** to microprocessor **102**. Microprocessor **102** then switches the short-range communication subsystem **122** to the search mode in which the short-range communication subsystem **122** searches for suitable external transceivers. Optionally and conversely, when detector **306c** no longer detects the presence of a proximity indicator, signal module **306** sends another signal to microprocessor **102**. Microprocessor **102** then determines that a suitable external transceiver is no longer nearby, and instructs short-range communication subsystem **122** to stand down in the power saver mode during which the short-range communication subsystem **122** does not look for an external transceiver with which to communicate.

Referring to FIG. **5**, there is illustrated in a block diagram, an auxiliary wireless system **310** suitable for communicating with the short-range communication subsystem **122** of the mobile station **100** in accordance with a further embodiment of the invention. As described below, the auxiliary wireless system can be used via a short-range communication subsystem **122** comprising the signal module **306** of either FIG. **4b** or **4c**. For operation with a mobile station **100** including a signal module **306** having a user-input means **306b** as shown in FIG. **4b**, the auxiliary wireless system **310** need have no special features such as the proximity indicator located nearby. Accordingly, the description of the auxiliary wireless system **310** that follows describes the interaction of the components of the system **310** with the short-range communication subsystem **122** including the signal module **306** of FIG. **4c**.

As shown in FIG. **5**, a magnet **312** is mounted at or nearby the auxiliary system **310**. The magnet **312** need not be part of the auxiliary system **310** provided the magnet **312** is near the auxiliary system **310**, which relationship has been indicated

by drawing the magnet **312** in dashed line. The magnet **312** is detectable by the detector **306c** of the signal module **306** of FIG. **4c**.

The auxiliary system **310** shown in FIG. **5** may be, for example, an audio system such as a car phone for an automobile. As such, auxiliary system **310** comprises a microprocessor **314** and DSP **316**. DSP **316** is linked to speakers **322** and microphone **324**. Auxiliary system **310** also includes a receiver **318** and a transmitter **320**.

Preferably, the magnet **312** is mounted in a cradle for receiving the mobile station **100**. In the case of the auxiliary system **310**, the mobile station **100** may be a cellular telephone or a data communication device with telephony capabilities. When the mobile station **100** is received in the cradle, the detector **306c** of the signal module **306** of FIG. **4c**, detects the presence of magnet **312**. The signal module **306** then sends a message to microprocessor **102** indicating that the magnet **312** is present. Microprocessor **102** then instructs short-range communication subsystem **122** to shift from the power saver mode to the search mode in which a signal is sent from transmitter **304** to any nearby external receivers. This signal is received by receiver **318**. Optionally, at that point, the mobile station **100** may determine, from the signal received from transmitter **320** of auxiliary system **310**, a suitable Bluetooth or other profile for communicating with auxiliary system **310**. Preferably, however, magnet **312** has a pre-selected configuration, which, when detected by detector **306c**, and communicated by signal module **306** to microprocessor **102**, enables microprocessor **102** to determine the suitable Bluetooth or other profile for communicating with auxiliary system **310**. Thus, when instructing the short-range communication subsystem **122** to begin the search mode, microprocessor **102** will also instruct short-range communication subsystem **122** on the particular short-range communication profile to use.

Many different methods can be used to configure magnets so as to identify one or more communication profiles. For example, if the cradle includes only one magnet, then, perhaps, only a single communication profile is identified. However, for cradles optionally including up to two magnets, three or more communication profiles can be identified. For example, if the cradle includes a first magnet, but not a second magnet, then a first communication profile is identified. If the cradle includes a second magnet, but not the first magnet, then a second communication profile is identified. If both the first and second magnets are included in the cradle, then a third communication profile is identified. Alternatively, the location of a single magnet may change between different locations on the cradle to identify different communication profiles.

As a result of this communication between short-range communication subsystem **122** and auxiliary system **310**, a user of the cell phone (mobile station **100**) will be able to use the mobile station **100** via speakers **322** and microphone **324** of auxiliary system **310**. That is, audio information can be communicated back and forth between the mobile station **100** and the auxiliary system **310** via short-range communication subsystem **122** and transmitter **320** and receiver **318** of auxiliary system **310**.

The mobile station **100** comprising the short-range communication subsystem **122** may also be employed to advantage in other contexts. For example, the auxiliary wireless system **310** may comprise a mouse that can be used with the mobile station **100** via short-range communication subsystem **122**. In the case of the signal module **306** of FIG. **4b**, the short-range communication subsystem **122** may be switched between the power saver mode and the search mode

11

without any automatic proximity indication means being provided near an auxiliary wireless system. However, in the case of the signal module 306 of FIG. 4c, additional components may be required for the detector 306c to detect the presence of the auxiliary wireless systems. The description of FIG. 6 that follows describes a wireless network that may be used without any signal module 306 of FIG. 4b or the signal module 306 of FIG. 4c.

Referring to FIG. 6, there is illustrated in a block diagram, a wireless network 400. The wireless network 400 comprises individual computers 406, each having a transceiver 404, as well as wireline network 402 connecting wireline computers 408 with a wireline transceiver 404. In accordance with an aspect of the present invention, at least one of the transceivers 404, and preferably all of the transceivers 404, will be located near to a proximity indicator such as magnet 410. Similar to the embodiment of FIG. 5, when the mobile station 100 is near to one of the magnets 410, the detector 306c of the short-range communication subsystem 122 will detect the presence of the magnet 410, and, preferably, will also detect the particular communication profile to use to communicate with wireless network 400. This profile might, for example, be a particular profile selected from the IEEE 802.11 standard. This information will be communicated to microprocessor 102 by signal module 306. Then, the microprocessor 102 of the mobile station 100 will instruct the short-range communication subsystem 122 to switch from the power saver mode to the search mode in which the short-range communication subsystem 122 sends out signals to the transceivers 404 of the wireless network 400.

Conversely, when the mobile station 100 is no longer in the vicinity of the wireless network 400, then the detector 306c will no longer detect the presence of the magnet 410. This information will be communicated to microprocessor 102, which will instruct short-range communication subsystem 122 to shift from the search mode to the power saver mode.

Other variations and modifications of the invention are possible. For example, proximity indicators other than a magnet might be used. For example, the cradle might include components that indicate to the microprocessor 102, when the mobile station 100 is inserted into the cradle, what the suitable communication profile is. One such proximity indicator could be provided by leads at the bottom of the cellular phone that are normally open circuits. Connectors carefully positioned in the cradle would close some, but not all, of these circuits, thereby indicating to the cell phone that the auxiliary devices in close proximity, and also signaling the particular communication profile to use for communication with the auxiliary device. All such modifications or variations are believed to be within the sphere and scope of the invention as defined by the claims appended hereto.

The invention claimed is:

1. A wireless device comprising:

a short-range transceiver for communicating with an auxiliary device;

a signal module for providing a mode control signal; and, a control module for controllably shifting the short-range transceiver between a power saver mode and a search mode based on the mode control signal received from the signal module; wherein,

when in the search mode, the short-range transceiver is operable to search for the auxiliary device to communicate therewith, and when in the power saver mode, the short-range transceiver is inactive and not operable to search for the auxiliary device;

the signal module comprises a detector for detecting when the auxiliary device is in close proximity, the signal

12

module being operable to send a first signal when the detector detects that the auxiliary device is in close proximity and a second signal when the detector detects that the auxiliary device is not in close proximity; and

the control module is operable to shift the short-range transceiver

from the power saver mode to the search mode when the first signal is received from the signal module, and from the search mode to the power saver mode when the second signal is received from the signal module.

2. The wireless device as defined in claim 1 wherein the detector is operable to detect a proximate device indicator for indicating proximity of the auxiliary device.

3. The wireless device as defined in claim 2 wherein the device indicator comprises a magnet, and the detector is operable to detect the magnet.

4. The wireless device as defined in claim 2 wherein the control module comprises a storage module for storing at least one communication profile for communication with the auxiliary device,

the device indicator is operable to indicate and the detector is operable to detect an associated communication profile for the auxiliary device;

the signal module is operable to identify the associated communication profile in the mode control signal sent to the control module; and,

the control module is operable to select the associated communication profile for communication with the auxiliary device.

5. The wireless device as defined in claim 2 wherein the short-range transceiver is at least one of BlueTooth-enabled and 802.11 enabled.

6. The wireless device as defined in claim 2 wherein the wireless device has telephony capabilities.

7. The wireless device as defined in claim 2 wherein the wireless device has data messaging capabilities.

8. The wireless device as defined in claim 2 wherein the wireless device is one of the group consisting of a two-way pager, a wireless e-mail device, a cellular telephone with data messaging capabilities, and a wireless Internet appliance.

9. The wireless device as defined in claim 8 wherein the auxiliary device is a mouse.

10. A method of controlling short-range wireless communication using a short-range transceiver between a wireless device and an auxiliary device, the method comprising:

providing a proximate device indicator near to the auxiliary device to indicate proximity of the auxiliary device to the wireless device;

detecting when the proximate device indicator is in close proximity using a detector of a signal module on the wireless device;

sending a first signal from the signal module to a control module on the wireless device when the detector detects that the proximate device indicator is in close proximity;

sending a second signal from the signal module to the control module when the detector detects that the proximate device indicator is not in close proximity;

using the control module, controllably shifting the short-range transceiver from a power saver mode to a search mode when the first signal is received from the signal module; and

using the control module, controllably shifting the short-range transceiver from the search mode to the power saver mode when the second signal is received from the signal module; wherein,

when in the search mode, the short-range transceiver is operable to search for the auxiliary device to communi-

13

cate therewith, and when in the power saver mode, the short-range transceiver is inactive and not operable to search for the auxiliary device.

11. The method as defined in claim 10 wherein the proximate device indicator comprises a magnet, and the detector is operable to detect the magnet.

12. The method as defined in claim 10 further comprising using the proximate device indicator to indicate an associated communication profile for communication with the auxiliary device.

13. The method as defined in claim 10 wherein the auxiliary device is a car phone and the wireless device has telephony capabilities such that when the car phone and the wireless device are in short-range communication, the telephony capabilities of the wireless device are useable via the car phone.

14. A wireless system comprising

- (a) an auxiliary device having a short-range communication module;
- (b) a proximate device indicator for indicating proximity of the auxiliary device, wherein the proximate device indicator is located proximate to the auxiliary device; and,
- (c) a wireless device having
 - (i) a short-range transceiver for communicating with the auxiliary device;
 - (ii) a detector for detecting when the proximate device indicator is in close proximity; and,
 - (iii) a control module for controllably shifting the short-range transceiver from a power saver mode to a search mode when the detector detects that the proximate device indicator is in close proximity, and for controllably shifting the short-range transceiver from the search mode to the power saver mode when the detector detects that the proximate device indicator is not in close proximity;

wherein, when in the search mode, the short-range transceiver is operable to search for the short-range communication module of the auxiliary device to communicate therewith, and when in the power saver mode, the short-range transceiver is inactive and not operable to search for the short-range communication module of the auxiliary device.

15. The wireless system as defined in claim 14 wherein the wireless device is one of the group consisting of a two-way pager, a wireless e-mail device, a cellular telephone with data messaging capabilities, and a wireless Internet appliance.

16. The wireless system as defined in claim 14 wherein the auxiliary device is a mouse.

17. The wireless system as defined in claim 14 wherein the device indicator comprises a magnet, and the detector is operable to detect the magnet.

18. The wireless system as defined in claim 14 wherein the control module comprises a storage module for storing at least one communication profile for communication with the short-range communication module of the auxiliary device,

14

the device indicator is operable to indicate and the detector is operable to detect an associated communication profile for the short-range communication module of the auxiliary device; and,

the control module is operable to select the associated communication profile for communication with the short-range communication module of the auxiliary device.

19. The wireless system as defined in claim 14 wherein the short-range transceiver and the short-range communication module is at least one of BlueTooth-enabled and 802.11 enabled.

20. The wireless system as defined in claim 14 wherein the wireless device has telephony capabilities and the auxiliary device comprises a speaker and a microphone, wherein the telephony capabilities of the wireless device are useable via the speaker and the microphone of the auxiliary device.

21. The wireless system as defined in claim 20 wherein the auxiliary device is a car phone.

22. The wireless system as defined in claim 14 wherein the wireless device has data messaging capabilities.

23. The wireless system as defined in claim 14 wherein the proximate device indicator comprises a cradle for receiving the wireless device.

24. *A non-transitory computer-readable storage medium comprising instructions executable on a processor of a wireless device, the processor being operable to execute the instructions to:*

control a detector of a signal module on the wireless device to detect when a proximate device indicator is in close proximity, wherein the proximate device indicator is near to the auxiliary device and indicates proximity of the auxiliary device to the wireless device;

control the signal module to send a first signal to a control module on the wireless device when the detector detects that the proximate device indicator is in close proximity; control the signal module to send a second signal to the control module when the detector detects that the proximate device indicator is not in close proximity;

instruct the control module to controllably shift the short-range transceiver from a power saver mode to a search mode when the first signal is received from the signal module; and

instruct the control module to controllably shift the short-range transceiver from the search mode to the power saver mode when the second signal is received from the signal module; wherein,

when in the search mode, the short-range transceiver is operable to search for the auxiliary device to communicate therewith, and when in the power saver mode, the short-range transceiver is inactive and not operable to search for the auxiliary device.

* * * * *