

US00RE42877E

(19) **United States**
(12) **Reissued Patent**
Lirette et al.

(10) **Patent Number:** **US RE42,877 E**
(45) **Date of Reissued Patent:** **Nov. 1, 2011**

(54) **METHODS AND APPARATUS FOR WELLBORE CONSTRUCTION AND COMPLETION**

1,324,303 A	12/1919	Carmichael
1,342,424 A	6/1920	Cotten
1,418,766 A	6/1922	Wilson
1,459,990 A	6/1923	Reed
1,471,526 A	10/1923	Pickin
1,545,039 A	7/1925	Deavers
1,561,418 A	11/1925	Duda
1,569,729 A	1/1926	Duda
1,585,069 A	5/1926	Youle
1,597,212 A	8/1926	Spengler
1,728,136 A	9/1929	Power

(75) Inventors: **Brent J. Lirette**, Cypress, TX (US);
David J. Brunnert, Cypress, TX (US)

(73) Assignee: **Weatherford/Lamb, Inc.**, Houston, TX (US)

(Continued)

(21) Appl. No.: **12/833,679**

(22) Filed: **Jul. 9, 2010**

Related U.S. Patent Documents

Reissue of:

(64) Patent No.: **7,311,148**
Issued: **Dec. 25, 2007**
Appl. No.: **10/775,048**
Filed: **Feb. 9, 2004**

U.S. Applications:

(60) Provisional application No. 60/446,046, filed on Feb. 7, 2003.

(51) **Int. Cl.**
E21B 33/16 (2006.01)

(52) **U.S. Cl.** **166/285**; 166/177.4; 175/57; 175/324

(58) **Field of Classification Search** 166/177.4,
166/285; 175/57, 324

See application file for complete search history.

(56) **References Cited**

U.S. PATENT DOCUMENTS

122,514 A	1/1872	Bullock
761,518 A	5/1904	Lykken
1,077,772 A	11/1913	Weathersby
1,185,582 A	5/1916	Bignell
1,301,285 A	4/1919	Leonard

FOREIGN PATENT DOCUMENTS

CA 2 335 192 11/2001

(Continued)

OTHER PUBLICATIONS

Alexander Sas-Jaworsky and J. G. Williams, Development of Composite Coiled Tubing For Oilfield Services, SPE 26536, Society of Petroleum Engineers, Inc., 1993.

(Continued)

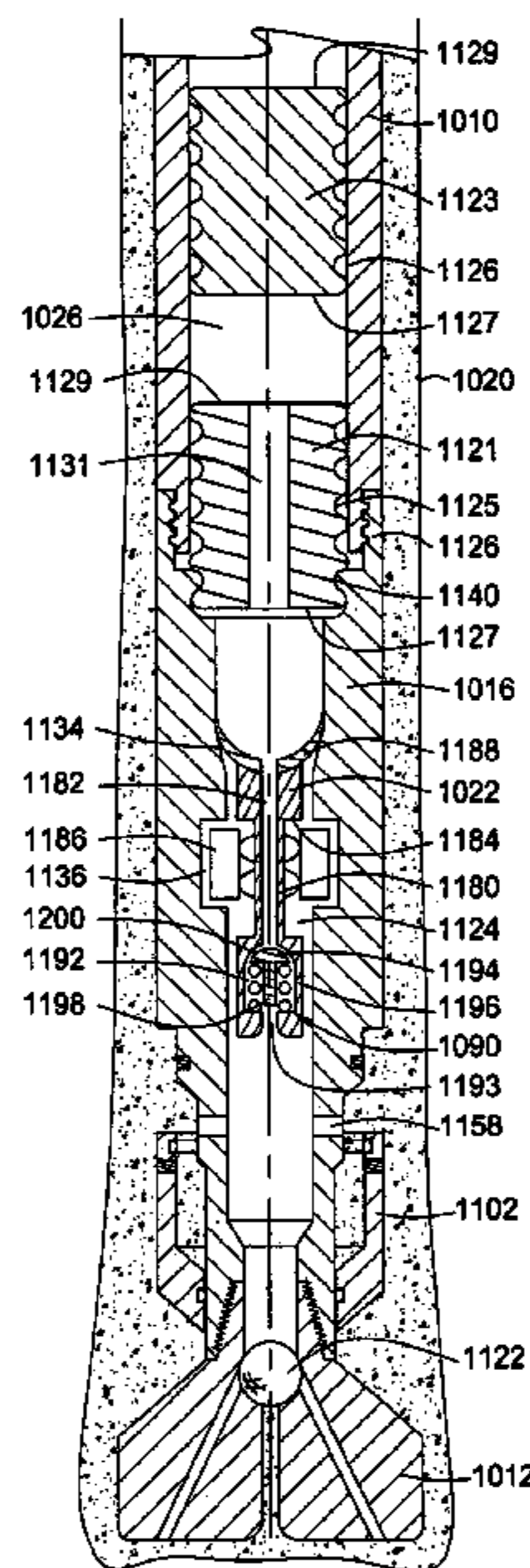
Primary Examiner — Hoang Dang

(74) *Attorney, Agent, or Firm* — Patterson & Sheridan, LLP

(57) **ABSTRACT**

The present invention relates methods and apparatus for lining a wellbore. In one aspect, a drilling assembly having an earth removal member and a wellbore lining conduit is manipulated to advance into the earth. The drilling assembly includes a first fluid flow path and a second fluid flow path. Fluid is flowed through the first fluid flow path, and at least a portion of which may return through the second fluid flow path. In one embodiment, the drilling assembly is provided with a third fluid flow path. After drilling has been completed, wellbore lining conduit may be cemented in the wellbore.

48 Claims, 74 Drawing Sheets



US RE42,877 E

Page 2

U.S. PATENT DOCUMENTS							
1,777,592	A	10/1930	Thomas	3,467,180	A	9/1969	Pensotti
1,825,026	A	9/1931	Thomas	3,477,527	A	11/1969	Koot
1,830,625	A	11/1931	Schrock	3,489,220	A	1/1970	Kinley
1,842,638	A	1/1932	Wigle	3,518,903	A	7/1970	Ham et al.
1,851,289	A	3/1932	Owen	3,548,936	A	12/1970	Kilgore et al.
1,880,218	A	10/1932	Simmons	3,550,684	A	12/1970	Cubberly, Jr.
1,917,135	A	7/1933	Littell	3,552,507	A	1/1971	Brown
1,930,825	A	10/1933	Raymond	3,552,508	A	1/1971	Brown
1,981,525	A	11/1934	Price	3,552,509	A	1/1971	Brown
1,998,833	A	4/1935	Crowell	3,552,510	A	1/1971	Brown
2,017,451	A	10/1935	Wickersham	3,552,848	A	1/1971	Van Wagner
2,049,450	A	8/1936	Johnson	3,559,739	A	2/1971	Hutchison
2,060,352	A	11/1936	Stokes	3,566,505	A	3/1971	Martin
2,102,555	A	12/1937	Dyer	3,570,598	A	3/1971	Johnson
2,105,885	A	1/1938	Hinderliter	3,575,245	A	4/1971	Cordary et al.
2,167,338	A	7/1939	Murcell	3,602,302	A	8/1971	Kluth
2,214,226	A	9/1940	English	3,603,411	A	9/1971	Link
2,214,429	A	9/1940	Miller	3,603,412	A	9/1971	Kammerer, Jr. et al.
2,216,226	A	10/1940	Bumpous	3,603,413	A	9/1971	Grill et al.
2,216,895	A	10/1940	Stokes	3,606,664	A	9/1971	Weiner
2,228,503	A	1/1941	Boyd et al.	3,621,910	A	11/1971	Sanford
2,295,803	A	9/1942	O'Leary	3,624,760	A	11/1971	Bodine
2,305,082	A	12/1942	Church et al.	3,635,105	A	1/1972	Dickmann et al.
2,324,679	A	7/1943	Cox	3,656,564	A	4/1972	Brown
2,344,120	A	3/1944	Baker	3,662,842	A	5/1972	Bromell
2,345,308	A	3/1944	Wallace	3,669,190	A	6/1972	Sizer et al.
2,370,832	A	3/1945	Baker	3,680,412	A	8/1972	Mayer et al.
2,379,800	A	7/1945	Hare	3,691,624	A	9/1972	Kinley
2,383,214	A	8/1945	Prout	3,691,825	A	9/1972	Dyer
2,414,719	A	1/1947	Cloud	3,692,126	A	9/1972	Rushing et al.
2,499,630	A	3/1950	Clark	3,696,332	A	10/1972	Dickson, Jr. et al.
2,522,444	A	9/1950	Grable	3,700,048	A	10/1972	Desmoulins
2,536,458	A	1/1951	Munsinger	3,712,376	A	1/1973	Owen et al.
2,610,690	A	9/1952	Beatty	3,729,057	A	4/1973	Werner
2,621,742	A	12/1952	Brown	3,746,330	A	7/1973	Taciuk
2,627,891	A	2/1953	Clark	3,747,675	A	7/1973	Brown
2,641,444	A	6/1953	Moon	3,760,894	A	9/1973	Pitifer
2,650,314	A	8/1953	Hennigh et al.	3,776,307	A	12/1973	Young
2,663,073	A	12/1953	Bieber et al.	3,776,320	A	12/1973	Brown
2,668,689	A	2/1954	Cormany	3,776,991	A	12/1973	Marcus
2,692,059	A	10/1954	Bolling, Jr.	3,785,193	A	1/1974	Kinley et al.
2,696,367	A	12/1954	Robishaw	3,808,916	A	5/1974	Porter et al.
2,720,267	A	10/1955	Brown	3,818,734	A	6/1974	Bateman
2,738,011	A	3/1956	Mabry	3,838,613	A	10/1974	Wilms
2,741,907	A	4/1956	Genender et al.	3,840,128	A	10/1974	Swoboda, Jr. et al.
2,743,087	A	4/1956	Layne et al.	3,848,684	A	11/1974	West
2,743,495	A	5/1956	Eklund	3,857,450	A	12/1974	Guier
2,764,329	A	9/1956	Hampton	3,870,114	A	3/1975	Pulk et al.
2,765,146	A	10/1956	Williams	3,881,375	A	5/1975	Kelly
2,805,043	A	9/1957	Williams	3,885,679	A	5/1975	Swoboda, Jr. et al.
2,898,971	A	8/1959	Hempel	3,901,331	A	8/1975	Djurovic
2,953,406	A	9/1960	Young	3,911,707	A	10/1975	Minakov et al.
2,978,047	A	4/1961	DeVaun	3,913,687	A	10/1975	Gyongyosi et al.
3,001,585	A	9/1961	Shiplot	3,915,244	A	10/1975	Brown
3,006,415	A	10/1961	Burns et al.	3,934,660	A	1/1976	Nelson
3,041,901	A	7/1962	Knights	3,935,910	A	2/1976	Gaudy et al.
3,054,100	A	9/1962	Jones	3,945,444	A	3/1976	Knudson
3,087,546	A	4/1963	Wooley	3,947,009	A	3/1976	Nelmark
3,090,031	A	5/1963	Lord	3,948,321	A	4/1976	Owen et al.
3,102,599	A	9/1963	Hillburn	3,964,556	A	6/1976	Gearhart et al.
3,111,179	A	11/1963	Albers et al.	3,980,143	A	9/1976	Swartz et al.
3,117,636	A	1/1964	Wilcox et al.	4,049,066	A	9/1977	Richey
3,122,811	A	3/1964	Gilreath	4,054,332	A	10/1977	Bryan, Jr.
3,123,160	A	3/1964	Kammerer	4,054,426	A	10/1977	White
3,124,023	A	3/1964	Marquis et al.	4,064,939	A	12/1977	Marquis
3,131,769	A	5/1964	Rochernont	4,069,573	A	1/1978	Rogers, Jr. et al.
3,159,219	A	12/1964	Scott	4,077,525	A	3/1978	Callegari et al.
3,169,592	A	2/1965	Kammerer	4,082,144	A	4/1978	Marquis
3,191,677	A	6/1965	Kinley	4,083,405	A	4/1978	Shirley
3,191,680	A	6/1965	Vincent	4,085,808	A	4/1978	Kling
3,193,116	A	7/1965	Kenneday et al.	4,095,865	A	6/1978	Denison et al.
3,195,646	A	7/1965	Brown	4,100,968	A	7/1978	Delano
3,273,660	A	9/1966	Jackson et al.	4,100,981	A	7/1978	Chaffin
3,353,599	A	11/1967	Swift	4,127,168	A	11/1978	Hanson et al.
3,380,528	A	4/1968	Timmons	4,127,927	A	12/1978	Hauk et al.
3,387,893	A	6/1968	Hoever	4,133,396	A	1/1979	Tschirky
3,392,609	A	7/1968	Bartos	4,142,739	A	3/1979	Billingsley
3,419,079	A	12/1968	Current	4,159,564	A	7/1979	Cooper, Jr.
				4,173,457	A	11/1979	Smith

US RE42,877 E

4,175,619 A	11/1979	Davis	4,676,312 A	6/1987	Mosing et al.
4,182,423 A	1/1980	Ziebarth et al.	4,678,031 A	7/1987	Blandford et al.
4,186,628 A	2/1980	Bonnice	4,681,158 A	7/1987	Pennison
4,189,185 A	2/1980	Kammerer, Jr. et al.	4,681,162 A	7/1987	Boyd
4,194,383 A	3/1980	Huzyak	4,683,962 A	8/1987	True
4,221,269 A	9/1980	Hudson	4,686,873 A	8/1987	Lang et al.
4,227,197 A	10/1980	Nimmo et al.	4,691,587 A	9/1987	Farrand et al.
4,241,878 A	12/1980	Underwood	4,693,316 A	9/1987	Ringgenberg et al.
4,257,442 A	3/1981	Claycomb	4,697,640 A	10/1987	Szarka
4,262,693 A	4/1981	Giebeler	4,699,224 A	10/1987	Burton
4,274,777 A	6/1981	Scaggs	4,708,202 A	11/1987	Sukup et al.
4,274,778 A	6/1981	Putnam et al.	4,709,599 A	12/1987	Buck
4,277,197 A	7/1981	Bingham	4,709,766 A	12/1987	Boyadjieff
4,280,380 A	7/1981	Eshghy	4,725,179 A	2/1988	Woolslayer et al.
4,281,722 A	8/1981	Tucker et al.	4,735,270 A	4/1988	Fenyvesi
4,287,949 A	9/1981	Lindsey, Jr.	4,738,145 A	4/1988	Vincent et al.
4,288,082 A	9/1981	Setterberg, Jr.	4,742,876 A	5/1988	Barthelemy et al.
4,311,195 A	1/1982	Mullins, II	4,744,426 A	5/1988	Reed
4,315,553 A	2/1982	Stallings	4,759,239 A	7/1988	Hamilton et al.
4,319,393 A	3/1982	Pogonowski	4,760,882 A *	8/1988	Novak 166/295
4,320,915 A	3/1982	Abbott et al.	4,762,187 A	8/1988	Haney
4,324,407 A	4/1982	Upham et al.	4,765,401 A	8/1988	Boyadjieff
4,336,415 A	6/1982	Walling	4,765,416 A	8/1988	Bjerking et al.
4,384,627 A	5/1983	Ramirez-Jauregui	4,770,259 A	9/1988	Jansson
4,392,534 A	7/1983	Miida	4,773,689 A	9/1988	Wolters
4,396,076 A	8/1983	Inoue	4,775,009 A	10/1988	Wittrisch et al.
4,396,077 A	8/1983	Radtke	4,778,008 A	10/1988	Gonzalez et al.
4,407,378 A	10/1983	Thomas	4,781,359 A	11/1988	Matus
4,408,669 A	10/1983	Wiredal	4,788,544 A	11/1988	Howard
4,413,682 A	11/1983	Callihan et al.	4,791,997 A	12/1988	Krasnov
4,427,063 A	1/1984	Skinner	4,793,422 A	12/1988	Krasnov
4,429,620 A	2/1984	Burkhardt et al.	4,800,968 A	1/1989	Shaw et al.
4,437,363 A	3/1984	Haynes	4,806,928 A	2/1989	Veneruso
4,440,220 A	4/1984	McArthur	4,813,493 A	3/1989	Shaw et al.
4,445,734 A	5/1984	Cunningham	4,813,495 A	3/1989	Leach
4,446,745 A	5/1984	Stone et al.	4,821,814 A	4/1989	Willis et al.
4,449,596 A	5/1984	Boyadjieff	4,825,947 A	5/1989	Mikolajczyk
4,460,053 A	7/1984	Jurgens et al.	4,832,552 A	5/1989	Skelly
4,463,814 A	8/1984	Horstmeyer et al.	4,836,064 A	6/1989	Slator
4,466,498 A	8/1984	Bardwell	4,836,299 A	6/1989	Bodine
4,469,174 A	9/1984	Freeman	4,842,081 A	6/1989	Parant
4,470,470 A	9/1984	Takano	4,843,945 A	7/1989	Dinsdale
4,472,002 A	9/1984	Beney et al.	4,848,469 A	7/1989	Baugh et al.
4,474,243 A	10/1984	Gaines	4,854,386 A	8/1989	Baker et al.
4,483,399 A	11/1984	Colgate	4,858,705 A	8/1989	Thiery
4,489,793 A	12/1984	Boren	4,867,236 A	9/1989	Haney et al.
4,489,794 A	12/1984	Boyadjieff	4,878,546 A	11/1989	Shaw et al.
4,492,134 A	1/1985	Reinholdt et al.	4,880,058 A	11/1989	Lindsey et al.
4,494,424 A	1/1985	Bates	4,883,125 A	11/1989	Wilson et al.
4,515,045 A	5/1985	Gnatchenko et al.	4,901,069 A	2/1990	Veneruso
4,529,045 A	7/1985	Boyadjieff et al.	4,904,119 A	2/1990	Legendre et al.
4,531,581 A	7/1985	Pringle et al.	4,909,741 A	3/1990	Schasteen et al.
4,544,041 A	10/1985	Rinaldi	4,915,181 A	4/1990	Labrosse
4,545,443 A	10/1985	Wiredal	4,921,386 A	5/1990	McArthur
4,570,706 A	2/1986	Pugnet	4,936,382 A	6/1990	Thomas
4,580,631 A	4/1986	Baugh	4,960,173 A	10/1990	Cognevich et al.
4,583,603 A	4/1986	Dorleans et al.	4,962,579 A	10/1990	Moyer et al.
4,588,030 A	5/1986	Blizzard	4,962,819 A	10/1990	Bailey et al.
4,589,495 A	5/1986	Langer et al.	4,962,822 A	10/1990	Pascale
4,592,125 A	6/1986	Skene	4,997,042 A	3/1991	Jordan et al.
4,593,773 A	6/1986	Skeie	5,009,265 A	4/1991	Bailey et al.
4,595,058 A	6/1986	Nations	5,022,472 A	6/1991	Bailey et al.
4,604,724 A	8/1986	Shaginian et al.	5,024,273 A	6/1991	Coone et al.
4,604,818 A	8/1986	Inoue	5,027,914 A	7/1991	Wilson
4,605,077 A	8/1986	Boyadjieff	5,036,927 A	8/1991	Willis
4,605,268 A	8/1986	Meador	5,049,020 A	9/1991	McArthur
4,610,320 A	9/1986	Beakley	5,052,483 A	10/1991	Hudson
4,613,161 A	9/1986	Brisco	5,060,542 A	10/1991	Hauk
4,620,600 A	11/1986	Persson	5,060,737 A	10/1991	Mohn
4,625,796 A	12/1986	Boyadjieff	5,062,756 A	11/1991	McArthur et al.
4,630,691 A	12/1986	Hooper	5,069,297 A	12/1991	Krueger
4,646,827 A	3/1987	Cobb	5,074,366 A	12/1991	Karlsson et al.
4,649,777 A	3/1987	Buck	5,082,069 A	1/1992	Seiler et al.
4,651,837 A	3/1987	Mayfield	5,083,608 A	1/1992	Abdrakhmanov et al.
4,652,195 A	3/1987	McArthur	5,085,273 A	2/1992	Coone
4,655,286 A	4/1987	Wood	5,096,465 A	3/1992	Chen et al.
4,667,752 A	5/1987	Berry et al.	5,109,924 A	5/1992	Jurgens et al.
4,671,358 A	6/1987	Lindsey, Jr. et al.	5,111,893 A	5/1992	Kvello-Aune
4,676,310 A	6/1987	Scherbatskoy et al.	5,141,063 A	8/1992	Quesenbury

US RE42,877 E

RE34,063 E	9/1992	Vincent et al.	5,547,029 A	8/1996	Rubbo et al.
5,148,875 A	9/1992	Karlsson et al.	5,551,521 A	9/1996	Vail, III
5,156,213 A	10/1992	George et al.	5,553,672 A	9/1996	Smith, Jr. et al.
5,160,925 A	11/1992	Dailey et al.	5,553,679 A	9/1996	Thorp
5,168,942 A	12/1992	Wydrinski	5,560,426 A	10/1996	Trahan et al.
5,172,765 A	12/1992	Sas-Jaworsky	5,560,437 A	10/1996	Dickel et al.
5,176,518 A	1/1993	Hordijk et al.	5,560,440 A	10/1996	Tibbitts
5,181,571 A	1/1993	Mueller	5,566,772 A	10/1996	Coone et al.
5,186,265 A	2/1993	Henson et al.	5,575,344 A	11/1996	Wireman
5,191,932 A	3/1993	Seefried et al.	5,577,566 A	11/1996	Albright et al.
5,191,939 A	3/1993	Stokley	5,582,259 A	12/1996	Barr
5,197,553 A	3/1993	Leturno	5,584,343 A	12/1996	Coone
5,224,540 A	7/1993	Streich et al.	5,588,916 A	12/1996	Moore
5,233,742 A	8/1993	Gray et al.	5,611,397 A	3/1997	Wood
5,234,052 A	8/1993	Coone et al.	5,613,567 A	3/1997	Hudson
5,245,265 A	9/1993	Clay	5,615,747 A	4/1997	Vail, III
5,251,709 A	10/1993	Richardson	5,645,131 A	7/1997	Trevisani
5,255,741 A	10/1993	Alexander	5,651,420 A	7/1997	Tibbitts et al.
5,255,751 A	10/1993	Stogner	5,661,888 A	9/1997	Hanslik
5,271,468 A	12/1993	Streich et al.	5,662,170 A	9/1997	Donovan et al.
5,271,472 A	12/1993	Leturno	5,662,182 A	9/1997	McLeod et al.
5,272,925 A	12/1993	Henneuse et al.	5,667,011 A	9/1997	Gill et al.
5,282,653 A	2/1994	LaFleur et al.	5,667,023 A	9/1997	Harrell et al.
5,284,210 A	2/1994	Helms et al.	5,667,026 A	9/1997	Lorenz et al.
5,285,008 A	2/1994	Sas-Jaworsky	5,685,369 A	11/1997	Ellis et al.
5,285,204 A	2/1994	Sas-Jaworsky	5,685,373 A	11/1997	Collins et al.
5,291,956 A	3/1994	Mueller et al.	5,697,442 A	12/1997	Baldrige
5,294,228 A	3/1994	Willis et al.	5,706,894 A	1/1998	Hawkins, III
5,297,833 A	3/1994	Willis et al.	5,706,905 A	1/1998	Barr
5,303,772 A	4/1994	George et al.	5,711,382 A	1/1998	Hansen et al.
5,305,830 A	4/1994	Wittrisch	5,717,334 A	2/1998	Vail, III et al.
5,305,839 A	4/1994	Kalsi et al.	5,718,288 A	2/1998	Bertet et al.
5,311,952 A	5/1994	Eddison et al.	5,720,356 A	2/1998	Gardes
5,318,122 A	6/1994	Murray et al.	5,730,221 A	3/1998	Longbottom et al.
5,320,178 A	6/1994	Cornette	5,730,471 A	3/1998	Schulze-Beckinghausen et al.
5,322,127 A	6/1994	McNair et al.	5,732,776 A	3/1998	Tubel et al.
5,323,858 A	6/1994	Jones et al.	5,735,348 A	4/1998	Hawkins, III
5,332,043 A	7/1994	Ferguson	5,735,351 A	4/1998	Helms
5,332,048 A	7/1994	Underwood et al.	5,743,344 A	4/1998	McLeod et al.
5,340,182 A	8/1994	Busink et al.	5,746,276 A	5/1998	Stuart
5,343,950 A	9/1994	Hale et al.	5,755,299 A	5/1998	Langford, Jr. et al.
5,343,951 A	9/1994	Cowan et al.	5,772,514 A	6/1998	Moore
5,343,968 A *	9/1994	Glowka 175/231	5,785,132 A	7/1998	Richardson et al.
5,348,095 A	9/1994	Worrall et al.	5,785,134 A	7/1998	McLeod et al.
5,351,767 A	10/1994	Stogner et al.	5,787,978 A	8/1998	Carter et al.
5,353,872 A	10/1994	Wittrisch	5,791,410 A	8/1998	Castille et al.
5,354,150 A	10/1994	Canales	5,791,416 A	8/1998	White et al.
5,355,967 A	10/1994	Mueller et al.	5,794,703 A	8/1998	Newman et al.
5,361,859 A	11/1994	Tibbitts	5,803,191 A	9/1998	Mackintosh
5,368,113 A	11/1994	Schulze-Beckinghausen	5,803,666 A	9/1998	Keller
5,375,668 A	12/1994	Hallundbaek	5,813,456 A	9/1998	Milner et al.
5,379,835 A	1/1995	Streich	5,823,264 A	10/1998	Ringgenberg
5,386,746 A	2/1995	Hauk	5,826,651 A	10/1998	Lee et al.
5,388,651 A	2/1995	Berry	5,828,003 A	10/1998	Thomeer et al.
5,392,715 A	2/1995	Pelrine	5,829,520 A	11/1998	Johnson
5,394,823 A	3/1995	Lenze	5,829,539 A	11/1998	Newton et al.
5,402,856 A	4/1995	Warren et al.	5,833,002 A	11/1998	Holcombe
5,409,059 A	4/1995	McHardy	5,836,395 A	11/1998	Budde
5,433,279 A	7/1995	Tassari et al.	5,836,409 A	11/1998	Vail, III
5,435,386 A	7/1995	LaFleur	5,839,330 A	11/1998	Stokka
5,435,400 A	7/1995	Smith	5,839,515 A	11/1998	Yuan et al.
5,452,923 A	9/1995	Smith	5,839,519 A	11/1998	Spedale, Jr.
5,456,317 A	10/1995	Hood, III et al.	5,842,149 A	11/1998	Harrell et al.
5,458,209 A	10/1995	Hayes et al.	5,842,530 A	12/1998	Smith et al.
5,461,905 A	10/1995	Penisson	5,845,722 A	12/1998	Makohl et al.
5,462,120 A	10/1995	Gondouin	5,850,877 A	12/1998	Albright et al.
5,472,057 A	12/1995	Winfree	5,860,474 A	1/1999	Stoltz et al.
5,477,925 A	12/1995	Trahan et al.	5,878,815 A	3/1999	Collins
5,494,122 A	2/1996	Larsen et al.	5,887,655 A	3/1999	Haugen et al.
5,497,840 A	3/1996	Hudson	5,887,668 A	3/1999	Haugen et al.
5,501,286 A	3/1996	Berry	5,890,537 A	4/1999	Lavaure et al.
5,503,234 A	4/1996	Clanton	5,890,540 A *	4/1999	Pia et al. 166/321
5,520,255 A	5/1996	Barr et al.	5,890,549 A	4/1999	Sprehe
5,526,880 A	6/1996	Jordan, Jr. et al.	5,894,897 A	4/1999	Vail, III
5,535,824 A	7/1996	Hudson	5,901,787 A	5/1999	Boyle
5,535,838 A	7/1996	Keshavan et al.	5,907,664 A	5/1999	Wang et al.
5,540,279 A	7/1996	Branch et al.	5,908,049 A	6/1999	Williams et al.
5,542,472 A	8/1996	Pringle et al.	5,909,768 A	6/1999	Castille et al.
5,542,473 A	8/1996	Pringle et al.	5,913,337 A	6/1999	Williams et al.

US RE42,877 E

5,921,285 A	7/1999	Quigley et al.	6,371,203 B2	4/2002	Frank et al.
5,921,332 A	7/1999	Spedale, Jr.	6,374,506 B1	4/2002	Schutte et al.
5,931,231 A	8/1999	Mock	6,374,924 B1	4/2002	Hanton et al.
5,947,213 A	9/1999	Angle et al.	6,378,627 B1	4/2002	Tubel et al.
5,950,742 A	9/1999	Caraway	6,378,630 B1	4/2002	Ritorto et al.
5,954,131 A	9/1999	Sallwasser	6,378,633 B1	4/2002	Moore
5,957,225 A	9/1999	Sinor	6,390,190 B2	5/2002	Mullins
5,960,881 A	10/1999	Allamon et al.	6,392,317 B1	5/2002	Hall et al.
5,971,079 A	10/1999	Mullins	6,397,946 B1	6/2002	Vail, III
5,971,086 A	10/1999	Bee et al.	6,401,820 B1	6/2002	Kirk et al.
5,984,007 A	11/1999	Yuan et al.	6,405,798 B1	6/2002	Barrett et al.
5,988,273 A	11/1999	Monjure et al.	6,408,943 B1	6/2002	Schultz et al.
6,000,472 A	12/1999	Albright et al.	6,412,554 B1	7/2002	Allen et al.
6,012,529 A	1/2000	Mikolajczyk et al.	6,412,574 B1 *	7/2002	Wardley et al. 175/7
6,021,850 A	2/2000	Wood et al.	6,419,014 B1	7/2002	Meek et al.
6,024,169 A	2/2000	Haugen	6,419,033 B1	7/2002	Hahn et al.
6,026,911 A	2/2000	Angle et al.	6,425,444 B1	7/2002	Metcalfe et al.
6,029,748 A	2/2000	Forsyth et al.	6,427,776 B1	8/2002	Hoffman et al.
6,035,953 A	3/2000	Rear	6,429,784 B1	8/2002	Beique et al.
6,056,060 A	5/2000	Abrahamsen et al.	6,431,626 B1	8/2002	Bouligny
6,059,051 A	5/2000	Jewkes et al.	6,443,241 B1	9/2002	Juhasz et al.
6,059,053 A	5/2000	McLeod	6,443,247 B1	9/2002	Wardley
6,061,000 A	5/2000	Edwards	6,446,323 B1	9/2002	Metcalfe et al.
6,062,326 A	5/2000	Strong et al.	6,446,723 B1	9/2002	Ramons et al.
6,065,550 A	5/2000	Gardes	6,457,532 B1	10/2002	Simpson
6,070,500 A	6/2000	Dlask et al.	6,458,471 B2	10/2002	Lovato et al.
6,070,671 A	6/2000	Cumming et al.	6,464,004 B1	10/2002	Crawford et al.
6,079,498 A	6/2000	Lima et al.	6,464,011 B2	10/2002	Tubel
6,079,509 A	6/2000	Bee et al.	6,484,818 B2	11/2002	Alft et al.
6,082,461 A	7/2000	Newman et al.	6,497,280 B2	12/2002	Beck et al.
6,085,838 A	7/2000	Vercaemer et al.	6,497,289 B1	12/2002	Cook et al.
6,089,323 A	7/2000	Newman et al.	6,527,047 B1	3/2003	Pietras
6,098,717 A	8/2000	Bailey et al.	6,527,049 B2	3/2003	Metcalfe et al.
6,106,200 A	8/2000	Mocivnik et al.	6,527,064 B1	3/2003	Hallundbaek
6,119,772 A	9/2000	Pruet	6,527,493 B1	3/2003	Kamphorst et al.
6,135,208 A	10/2000	Gano et al.	6,536,520 B1	3/2003	Snider et al.
6,142,545 A	11/2000	Penman et al.	6,536,522 B2	3/2003	Birckhead et al.
6,155,360 A	12/2000	McLeod	6,536,993 B2	3/2003	Strong et al.
6,158,531 A	12/2000	Vail, III	6,538,576 B1	3/2003	Schultz et al.
6,161,617 A	12/2000	Gjedebo	6,540,025 B2	4/2003	Scott et al.
6,170,573 B1	1/2001	Brunet et al.	6,543,552 B1	4/2003	Metcalfe et al.
6,172,010 B1	1/2001	Argillier et al.	6,547,017 B1	4/2003	Vail, III
6,173,777 B1	1/2001	Mullins	6,553,825 B1	4/2003	Boyd
6,179,055 B1	1/2001	Sallwasser et al.	6,554,063 B2	4/2003	Ohmer
6,182,776 B1	2/2001	Asberg	6,554,064 B1	4/2003	Restarick et al.
6,186,233 B1	2/2001	Brunet	6,571,868 B2	6/2003	Victor
6,189,616 B1	2/2001	Gano et al.	6,578,630 B2	6/2003	Simpson et al.
6,189,621 B1	2/2001	Vail, III	6,585,040 B2	7/2003	Hanton et al.
6,196,336 B1	3/2001	Fincher et al.	6,591,471 B1	7/2003	Hollingsworth et al.
6,199,641 B1	3/2001	Downie et al.	6,591,905 B2	7/2003	Coon
6,202,764 B1	3/2001	Ables et al.	6,595,288 B2	7/2003	Mosing et al.
6,206,112 B1	3/2001	Dickinson, III et al.	6,612,383 B2	9/2003	Desai et al.
6,216,533 B1	4/2001	Woloson et al.	6,619,402 B1	9/2003	Amory et al.
6,217,258 B1	4/2001	Yamamoto et al.	6,622,796 B1	9/2003	Pietras
6,220,117 B1	4/2001	Butcher	6,634,430 B2	10/2003	Dawson et al.
6,223,823 B1	5/2001	Head	6,637,526 B2	10/2003	Juhasz et al.
6,224,112 B1	5/2001	Eriksen et al.	6,640,903 B1	11/2003	Cook et al.
6,227,587 B1	5/2001	Terral	6,648,075 B2	11/2003	Badrak et al.
6,234,257 B1	5/2001	Ciglenec et al.	6,651,737 B2	11/2003	Bouligny
6,237,684 B1	5/2001	Bouligny, Jr. et al.	6,655,460 B2	12/2003	Bailey et al.
6,244,363 B1	6/2001	McLeod	6,666,274 B2	12/2003	Hughes
6,263,987 B1	7/2001	Vail, III	6,668,684 B2	12/2003	Allen et al.
6,273,189 B1	8/2001	Gissler et al.	6,668,937 B1	12/2003	Murray
6,275,938 B1	8/2001	Bond et al.	6,679,333 B2	1/2004	York et al.
6,290,432 B1	9/2001	Exley et al.	6,688,394 B1	2/2004	Ayling
6,296,066 B1	10/2001	Terry et al.	6,688,398 B2	2/2004	Pietras
6,305,469 B1	10/2001	Coenen et al.	6,691,801 B2	2/2004	Juhasz et al.
6,309,002 B1	10/2001	Bouligny	6,698,595 B2	3/2004	Norell et al.
6,311,792 B1	11/2001	Scott et al.	6,702,029 B2	3/2004	Metcalfe et al.
6,315,051 B1	11/2001	Ayling	6,702,040 B1	3/2004	Sensenig
6,325,148 B1	12/2001	Trahan et al.	6,705,413 B1	3/2004	Tessari
6,343,649 B1	2/2002	Beck et al.	6,708,769 B2	3/2004	Haugen et al.
6,347,674 B1	2/2002	Bloom et al.	6,715,430 B2	4/2004	Choi et al.
6,349,764 B1	2/2002	Adams et al.	6,719,071 B1	4/2004	Moyes
6,357,485 B2	3/2002	Quigley et al.	6,722,559 B1	4/2004	Millar et al.
6,359,569 B2	3/2002	Beck et al.	6,725,917 B2	4/2004	Metcalfe
6,360,633 B2	3/2002	Pietras	6,725,919 B2	4/2004	Cook et al.
6,367,552 B1	4/2002	Scott et al.	6,725,924 B2	4/2004	Davidson et al.
6,367,566 B1	4/2002	Hill	6,725,938 B1	4/2004	Pietras

US RE42,877 E

Page 6

6,732,822	B2	5/2004	Slack et al.	2003/0111267	A1	6/2003	Pia	
6,742,584	B1	6/2004	Appleton	2003/0141111	A1	7/2003	Pia	
6,742,591	B2	6/2004	Metcalfé	2003/0146023	A1	8/2003	Pia	
6,742,596	B2	6/2004	Haugen	2003/0164250	A1	9/2003	Wardley	
6,742,606	B2	6/2004	Metcalfé et al.	2003/0164251	A1	9/2003	Tulloch	
6,745,834	B2	6/2004	Davis et al.	2003/0164276	A1	9/2003	Snider et al.	
6,749,026	B2	6/2004	Smith et al.	2003/0173073	A1	9/2003	Snider et al.	
6,752,211	B2	6/2004	Dewey et al.	2003/0173090	A1	9/2003	Cook et al.	
6,758,278	B2	7/2004	Cook et al.	2003/0183424	A1	10/2003	Tulloch	
6,802,374	B2	10/2004	Edgar et al.	2003/0213598	A1	11/2003	Hughes	
6,832,658	B2	12/2004	Keast	2003/0217865	A1	11/2003	Simpson et al.	
6,837,313	B2	1/2005	Hosie et al.	2003/0221519	A1	12/2003	Haugen et al.	
6,840,322	B2	1/2005	Haynes	2004/0000405	A1	1/2004	Fournier, Jr. et al.	
6,845,820	B1	1/2005	Hebert et al.	2004/0003490	A1	1/2004	Shahin et al.	
6,848,517	B2	2/2005	Wardley	2004/0003944	A1	1/2004	Vincent et al.	
6,854,533	B2	2/2005	Galloway	2004/0011534	A1	1/2004	Soimonds et al.	
6,857,486	B2	2/2005	Chitwood et al.	2004/0011566	A1*	1/2004	Lee	175/317
6,857,487	B2	2/2005	Galloway et al.	2004/0016575	A1	1/2004	Shahin et al.	
6,892,819	B2	5/2005	Cook et al.	2004/0060697	A1	4/2004	Tilton et al.	
6,920,932	B2	7/2005	Zimmerman	2004/0060700	A1	4/2004	Vert et al.	
6,923,255	B2	8/2005	Lee	2004/0069500	A1	4/2004	Haugen	
6,926,126	B2	8/2005	Baumann et al.	2004/0069501	A1	4/2004	Haugen et al.	
6,941,652	B2	9/2005	Echols et al.	2004/0079533	A1	4/2004	Buytaert et al.	
6,953,096	B2	10/2005	Gledhill et al.	2004/0108142	A1	6/2004	Vail, III	
7,004,264	B2	2/2006	Simpson et al.	2004/0112603	A1	6/2004	Galloway et al.	
7,013,992	B2	3/2006	Tessari et al.	2004/0112646	A1	6/2004	Vail	
7,013,997	B2	3/2006	Vail, III	2004/0112693	A1	6/2004	Baumann et al.	
7,036,610	B1	5/2006	Vail, III	2004/0118613	A1	6/2004	Vail	
7,040,420	B2	5/2006	Vail, III	2004/0118614	A1	6/2004	Galloway et al.	
7,044,241	B2	5/2006	Angman	2004/0123984	A1	7/2004	Vail	
7,048,050	B2	5/2006	Vail, III et al.	2004/0124010	A1	7/2004	Galloway et al.	
7,082,997	B2	8/2006	Slack	2004/0124011	A1	7/2004	Gledhill et al.	
7,090,004	B2	8/2006	Warren et al.	2004/0124015	A1	7/2004	Vail et al.	
7,093,675	B2	8/2006	Pia	2004/0129456	A1	7/2004	Vail	
7,096,982	B2	8/2006	McKay et al.	2004/0140128	A1	7/2004	Vail	
7,100,710	B2	9/2006	Vail, III	2004/0144547	A1	7/2004	Koithan et al.	
7,100,713	B2	9/2006	Tulloch	2004/0173358	A1	9/2004	Haugen	
7,108,072	B2	9/2006	Cook et al.	2004/0182579	A1	9/2004	Steele et al.	
7,108,080	B2	9/2006	Tessari et al.	2004/0216892	A1	11/2004	Giroux et al.	
7,108,083	B2	9/2006	Simonds et al.	2004/0216924	A1	11/2004	Pietras et al.	
7,108,084	B2	9/2006	Vail, III	2004/0216925	A1	11/2004	Metcalfé et al.	
7,117,957	B2	10/2006	Metcalfé et al.	2004/0221997	A1	11/2004	Giroux et al.	
7,124,825	B2	10/2006	Slack	2004/0226751	A1	11/2004	McKay et al.	
7,128,154	B2	10/2006	Giroux et al.	2004/0238218	A1*	12/2004	Runia et al.	175/57
7,137,454	B2	11/2006	Pietras	2004/0244992	A1	12/2004	Carter et al.	
7,140,443	B2	11/2006	Beierbach et al.	2004/0245020	A1	12/2004	Giroux et al.	
7,140,455	B2	11/2006	Walter et al.	2004/0251026	A1	12/2004	Giroux et al.	
7,143,847	B2	12/2006	Pia	2004/0251050	A1	12/2004	Shahin et al.	
7,147,068	B2	12/2006	Vail, III	2004/0251055	A1	12/2004	Shahin et al.	
7,159,668	B2	1/2007	Herrera	2004/0262013	A1	12/2004	Tilton et al.	
7,165,634	B2	1/2007	Vail, III	2005/0000691	A1	1/2005	Giroux et al.	
2001/0000101	A1	4/2001	Lovato et al.	2005/0011643	A1	1/2005	Slack et al.	
2001/0002626	A1	6/2001	Frank et al.	2005/0077048	A1	4/2005	Hall	
2001/0013412	A1	8/2001	Tubel	2005/0096846	A1	5/2005	Koithan et al.	
2001/0040054	A1	11/2001	Haugen et al.	2005/0152749	A1	7/2005	Anres et al.	
2001/0042625	A1	11/2001	Appleton	2005/0183892	A1	8/2005	Oldham et al.	
2001/0045284	A1	11/2001	Simpson et al.					
2001/0047883	A1	12/2001	Hanton et al.					
2002/0040787	A1*	4/2002	Cook et al.					166/379
2002/0066556	A1	6/2002	Goode et al.					
2002/0074127	A1	6/2002	Birckhead et al.					
2002/0074132	A1	6/2002	Juhasz et al.					
2002/0079102	A1	6/2002	Dewey et al.					
2002/0108748	A1	8/2002	Keyes					
2002/0134555	A1	9/2002	Allen et al.					
2002/0145281	A1	10/2002	Metcalfé et al.					
2002/0157829	A1	10/2002	Davis et al.					
2002/0162690	A1	11/2002	Hanton et al.					
2002/0166668	A1	11/2002	Metcalfé et al.					
2002/0170720	A1	11/2002	Haugen					
2002/0189806	A1	12/2002	Davidson et al.					
2002/0189863	A1	12/2002	Wardley					
2003/0029641	A1	2/2003	Meehan					
2003/0034177	A1	2/2003	Chitwood et al.					
2003/0042022	A1	3/2003	Lauritzen et al.					
2003/0056947	A1	3/2003	Cameron					
2003/0056991	A1	3/2003	Hahn et al.					
2003/0070841	A1	4/2003	Merecka et al.					
2003/0070842	A1	4/2003	Bailey et al.					

FOREIGN PATENT DOCUMENTS

DE	3 213 464	10/1983
DE	3 523 221	2/1987
DE	3 918 132	12/1989
DE	4 133 802	10/1992
EP	0 087 373	8/1983
EP	0 162 000	11/1985
EP	0 171 144	2/1986
EP	0 235 105	9/1987
EP	0 265 344	4/1988
EP	0 285 386	10/1988
EP	0 397 323	11/1990
EP	0 426 123	5/1991
EP	0 462 618	12/1991
EP	0 474 481	3/1992
EP	0479583	4/1992
EP	0 525 247	2/1993
EP	0 554 568	8/1993
EP	0 589 823	3/1994
EP	0 659 975	6/1995
EP	0 790 386	8/1997
EP	0 881 354	4/1998

US RE42,877 E

Page 7

EP	0 571 045	8/1998	SU	1808972	5/1991
EP	0 961 007	12/1999	WO	WO 92/01211	4/1982
EP	0 962 384	12/1999	WO	WO 90/06418	6/1990
EP	1 006 260	6/2000	WO	WO 91/16520	10/1991
EP	1 050 661	11/2000	WO	WO 92/01139	1/1992
EP	1 148206	10/2001	WO	WO 92/18743	10/1992
EP	1 256 691	11/2002	WO	WO 92/20899	11/1992
FR	2053088	7/1970	WO	WO 93/07358	4/1993
FR	2741907	6/1997	WO	WO 93/24728	12/1993
FR	2 841 293	12/2003	WO	WO 95/10686	4/1995
GB	540 027	10/1941	WO	WO 96/18799	6/1996
GB	709 365	5/1954	WO	WO 96/28635	9/1996
GB	716 761	10/1954	WO	WO 97/05360	2/1997
GB	733596	7/1955	WO	WO 97/08418	3/1997
GB	7 928 86	4/1958	WO	WO 98/01651	1/1998
GB	8 388 33	6/1960	WO	WO 98/05844	2/1998
GB	881 358	11/1961	WO	WO 98/09053	3/1998
GB	887150	1/1962	WO	WO 98/11322	3/1998
GB	9 977 21	7/1965	WO	WO 98/32948	7/1998
GB	1 277 461	6/1972	WO	WO 98/55730	12/1998
GB	1 306 568	3/1973	WO	WO 99/04135	1/1999
GB	1 448 304	9/1976	WO	WO 99/11902	3/1999
GB	1 469 661	4/1977	WO	WO 99/18328	4/1999
GB	1 582 392	1/1981	WO	WO 99/23354	5/1999
GB	2 053 088	2/1981	WO	WO 99/24689	5/1999
GB	2 115 940	9/1983	WO	WO 99/35368	7/1999
GB	2 170 528	8/1986	WO	WO 99/37881	7/1999
GB	2 201 912	9/1988	WO	WO 99/41485	8/1999
GB	2 216 926	10/1989	WO	WO 99/50528	10/1999
GB	2 223 253	4/1990	WO	WO 99/58810	11/1999
GB	2 221 482	7/1990	WO	WO 99/64713	12/1999
GB	2 224 481	9/1990	WO	WO 00/04269	1/2000
GB	2 239 918	7/1991	WO	WO 00/05483	2/2000
GB	2 240 799	8/1991	WO	WO 00/08293	2/2000
GB	2 275 486	4/1993	WO	WO 00/09853	2/2000
GB	2 294 715	8/1996	WO	WO 00/11309	3/2000
GB	2 313 860	2/1997	WO	WO 00/11310	3/2000
GB	2 320 270	6/1998	WO	WO 00/11311	3/2000
GB	2 320 734	7/1998	WO	WO 00/28188	5/2000
GB	2 324 108	10/1998	WO	WO 00/37766	6/2000
GB	2 326 896	1/1999	WO	WO 00/37771	6/2000
GB	2 323 542	7/1999	WO	WO 00/37772	6/2000
GB	2 335 217	9/1999	WO	WO 00/37773	6/2000
GB	2 345 074	6/2000	WO	WO 00/39429	7/2000
GB	2 348 223	9/2000	WO	WO 00/39430	7/2000
GB	2347445	9/2000	WO	WO 00/41487	7/2000
GB	2 349 401	11/2000	WO	WO 00/46484	8/2000
GB	2 350 137	11/2000	WO	WO 00/50730	8/2000
GB	2 357 101	6/2001	WO	WO 00/50732	8/2000
GB	2 357 530	6/2001	WO	WO 00/66879	11/2000
GB	2 352 747	7/2001	WO	WO 00/77431	12/2000
GB	2 365 463	2/2002	WO	WO 01/12946	2/2001
GB	2 372 271	8/2002	WO	WO 01/46550	6/2001
GB	2 372 765	9/2002	WO	WO 01/60545	8/2001
GB	2 382 361	5/2003	WO	WO 01/66901	9/2001
GB	2381809	5/2003	WO	WO 01/79650	10/2001
GB	2 386 626	9/2003	WO	WO 01/81708	11/2001
GB	2 389 130	12/2003	WO	WO 01/83932	11/2001
GB	2396375	6/2004	WO	WO 01/94738	12/2001
RU	2 079 633	5/1997	WO	WO 01/94739	12/2001
RU	2079633	5/1997	WO	WO 02/14649	2/2002
SU	112631	1/1956	WO	WO 02/29199	4/2002
SU	659260	4/1967	WO	WO 02/44601	6/2002
SU	247162	5/1967	WO	WO 02/081863	10/2002
SU	395557	12/1971	WO	WO 02/086287	10/2002
SU	415346	3/1972	WO	WO 02/092956	11/2002
SU	481689	6/1972	WO	WO 03/006790	1/2003
SU	461218	4/1973	WO	WO 03/074836	9/2003
SU	501139	12/1973	WO	WO 03/087525	10/2003
SU	585266	7/1974	WO	WO 2004/022903	3/2004
SU	583278	8/1974			
SU	601390	1/1976			
SU	581238	2/1976			
SU	655843	3/1977			
SU	781312	3/1978			
SU	899820	6/1979			
SU	955765	2/1981			
SU	1304470	8/1984			
SU	1618870	1/1991			

OTHER PUBLICATIONS

A. S. Jafar, H.H. Al-Attar, and I. S. El-Ageli, Discussion and Comparison of Performance of Horizontal Wells in Bourri Field, SPE 26927, Society of Petroleum Engineers, Inc. 1996.
 G. F. Boykin, The Role of A Worldwide Drilling Organization and the Road to the Future, SPE/IADC 37630, 1997.
 M. S. Fuller, M. Littler, and I. Pollock, Innovative Way To Cement a Liner Utilizing a New Inner String Liner Cementing Process, 1998.

- Helio Santos, Consequences and Relevance of Drillstring Vibration on Wellbore Stability, SPE/IADC 52820, 1999.
- Chan L. Daigle, Donald B. Campo, Carey J. Naquin, Rudy Cardenas, Lev M. Ring, Patrick L. York, Expandable Tubulars: Field Examples of Application in Well Construction and Remediation, SPE 62958, Society of Petroleum Engineers Inc., 2000.
- C. Lee Lohoefer, Ben Mathis, David Brisco, Kevin Waddell, Lev Ring, and Patrick York, Expandable Liner Hanger Provides Cost-Effective Alternative Solution, IADC/SPE 59151, 2000.
- Kenneth K. Dupal, Donald B. Campo, John E. Lofton, Don Weisinger, R. Lance Cook, Michael D. Bullock, Thomas P. Grant, and Patrick L. York, Solid Expandable Tubular Technology—A Year of Case Histories in the Drilling Environment, SPE/IADC 67770, 2001.
- Mike Bullock, Tom Grant, Rick Sizemore, Chan Daigle, and Pat York, Using Expandable Solid Tubulars to Solve Well Construction Challenges In Deep Waters And Maturing Properties, IBP 27500, Brazilian Petroleum Institute—IBP, 2000.
- Coiled Tubing Handbook, World Oil, Gulf Publishing Company, 1993.
- Detlef Hahn, Friedhelm Makohl, and Larry Watkins, Casing-While Drilling System Reduces Hole Collapse Risks, Offshore, pp. 54, 56 and 59, Feb. 1998.
- Yakov A. Gelfgat, Mikhail Y. Gelfgat and Yuri S. Lopatin, Retractable Drill Bit Technology—Drilling Without Pulling Out Drillpipe, Advanced Drilling Solutions Lessons From the FSU; Jun. 2003, vol. 2, pp. 351-464.
- Tommy Warren, SPE, Bruce Houtchens, SPE, Garret Madell, SPE, Directional Drilling With Casing, SPE/IADC 79914, Tesco Corporation, SPE/IADC Drilling Conference 2003.
- LaFleur Petroleum Services, Inc., “Autoseal Circulating Head,” Engineering Manufacturing, 1992, 11 Pages.
- Valves Wellhead Equipment Safety Systems, W-K-M Division, ACF Industries, Catalog 80, 1980, 5 Pages.
- Canrig Top Drive Drilling Systems, Harts Petroleum Engineer International, Feb. 1997, 2 Pages.
- The Original Portable Top Drive Drilling System, TESCO Drilling Technology, 1997.
- Mike Killalea, Portable Top Drives: What’s Driving The Market?, IADC, Drilling Contractor, Sep. 1994, 4 Pages.
- 500 or 650 ECIS Top Drive, Advanced Permanent Magnet Motor Technology, TESCO Drilling Technology, Apr. 1998, 2 Pages.
- 500 or 650 HCIS Top Drive, Powerful Hydraulic Compact Top Drive Drilling System, TESCO Drilling Technology, Apr. 1998, 2 Pages.
- Product Information (Sections 1-10) CANRIG Drilling Technology, Ltd., Sep. 18, 1996.
- PCT Search Report, International Application No. PCT/US2004/003702, dated Nov. 4, 2004.
- Hahn, et al., “Simultaneous Drill and Case Technology—Case Histories, Status and Options for Further Development,” Society of Petroleum Engineers, IADC/SPE Drilling Conference, New Orleans, LA Feb. 23-25, 2000 pp. 1-9.
- M.B. Stone and J. Smith, “Expandable Tubulars and Casing Drilling are Options” Drilling Contractor, Jan./Feb. 2002, pp. 52.
- M. Gelfgat, “Retractable Bits Development and Application” Transactions of the ASME, vol. 120, Jun. 1998, pp. 124-130.
- “First Success with Casing-Drilling” World Oil, Feb. 1999, pp. 25.
- Dean E. Gaddy, Editor, “Russia Shares Technical Know-How with U.S.” Oil & Gas Journal, Mar. 1999, pp. 51-52 and 54-56.
- U.S. Appl. No. 10/794,800, filed Mar. 5, 2004.
- U.S. Appl. No. 10/832,804, filed Apr. 27, 2004.
- U.S. Appl. No. 10/795,214, filed Mar. 5, 2004.
- U.S. Appl. No. 10/794,795, filed Mar. 5, 2004.
- U.S. Appl. No. 10/775,048, filed Feb. 9, 2004.
- U.S. Appl. No. 10/772,217, filed Feb. 2, 2004.
- U.S. Appl. No. 10/788,976, filed Feb. 27, 2004.
- U.S. Appl. No. 10/794,797, filed Mar. 5, 2004.
- U.S. Appl. No. 10/767,322, filed Jan. 29, 2004.
- U.S. Appl. No. 10/795,129, filed Mar. 5, 2004.
- U.S. Appl. No. 10/794,790, filed Mar. 5, 2004.
- U.S. Appl. No. 10/162,302, filed Jun. 4, 2004.
- Rotary Steerable Technology—Technology Gains Momentum, Oil & Gas Journal, Dec. 28, 1998.
- Directional Drilling, M. Mims, World Oil, May 1999, pp. 40-43.
- Multilateral Classification System w/Example Applications, Alan MacKenzie & Cliff Hogg, World Oil, Jan. 1999, pp. 55-61.
- U.S. Appl. No. 10/618,093.
- U.S. Appl. No. 10/189,570.
- Tarr, et al., “Casing-while-Drilling: The Next Step Change In Well Construction,” World Oil, Oct. 1999, pp. 34-40.
- De Leon Mojarro, “Breaking A Paradigm: Drilling With Tubing Gas Wells,” SPE Paper 40051, SPE, Annual Technical Conference And Exhibition, Mar. 3-5, 1998, pp. 465-472.
- De Leon Mojarro, “Drilling/Completing With Tubing Cuts Well Costs By 30%,” World Oil, Jul. 1998, pp. 145-150.
- Littleton, “Refined Slimhole Drilling Technology Renews Operator Interest,” Petroleum Engineer International, Jun. 1992, pp. 19-26.
- Anon, “Slim Holes Fat Savings,” Journal of Petroleum Technology, Sep. 1992, pp. 816-819.
- Anon, “Slim Holes, Slimmer Prospect,” Journal of Petroleum Technology, Nov. 1995, pp. 949-952.
- Vogt, et al., “Drilling Liner Technology For Depleted Reservoir,” SPE Paper 36827, SPE Annual Technical Conference And Exhibition, Oct. 22-24, pp. 127-132.
- Mojarro, et al., “Drilling/Completing With Tubing Cuts Well Costs By 30%,” World Oil, Jul. 1998, pp. 145-150.
- Sinor, et al., Rotary Liner Drilling For Depleted Reservoirs, IADC/SPE Paper 39399, IADC/SPE Drilling Conference, Mar. 3-6, 1998, pp. 1-13.
- Editor, “Innovation Starts At The Top At Tesco,” The American Oil & Gas Reporter, Apr. 1998, p. 65.
- Tessari, et al., “Casing Drilling—A Revolutionary Approach To Reducing Well Costs,” SPE/IADC Paper 52789, SPE/IADC Drilling Conference, Mar. 9-11, 1999, pp. 221-229.
- Silverman, “Novel Drilling Method—Casing Drilling Process Eliminates Tripping String,” Petroleum Engineer International, Mar. 1999, p. 15.
- Silverman, “Drilling Technology—Retractable Bit Eliminates Drill String Trips,” Petroleum Engineer International, Apr. 1999, p. 15.
- Laurent, et al., “A New Generation Drilling Rig: Hydraulically Powered And Computer Controlled,” CADE/CAODC Paper 99-120, CADE/CAODC Spring Drilling Conference, Apr. 7-8, 1999, 14 pages.
- Madell, et al., “Casing Drilling An Innovative Approach To Reducing Drilling Costs,” CADE/CAODC Paper 99-121, CADE/CAODC Spring Drilling Conference, Apr. 7-8, 1999, pp. 1-12.
- Tessari, et al., “Focus: Drilling With Casing Promises Major Benefits,” Oil & Gas Journal, May 17, 1999, pp. 58-62.
- Laurent, et al., “Hydraulic Rig Supports Casing Drilling,” World Oil, Sep. 1999, pp. 61-68.
- Perdue, et al., “Casing Technology Improves,” Hart’s E & P, Nov. 1999, pp. 135-136.
- Warren, et al., “Casing Drilling Application Design Considerations,” IADC/SPE Paper 59179, IADC/SPE Drilling Conference, Feb. 23-25, 2000 pp. 1-11.
- Warren, et al., “Drilling Technology: Part I—Casing Drilling With Directional Steering In The U.S. Gulf Of Mexico,” Offshore, Jan. 2001, pp. 50-52.
- Warren, et al., “Drilling Technology: Part II—Casing Drilling With Directional Steering In The Gulf Of Mexico,” Offshore, Feb. 2001, pp. 40-42.
- Shepard, et al., “Casing Drilling: An Emerging Technology,” IADC/SPE Paper 67731, SPE/IADC Drilling Conference, Feb. 27-Mar. 1, 2001, pp. 1-13.
- Editor, “Tesco Finishes Field Trial Program,” Drilling Contractor, Mar./Apr. 2001, p. 53.
- Warren, et al., “Casing Drilling Technology Moves To More Challenging Application,” AADE Paper 01-NC-HO-32, AADE National Drilling Conference, Mar. 27-29, 2001, pp. 1-10.
- Shepard, et al., “Casing Drilling: An Emerging Technology” SPE Drilling & Completion, Mar. 2002, pp. 4-14.
- Shepard, et al., “Casing Drilling Successfully Applied In Southern Wyoming,” World Oil, Jun. 2002, pp. 33-41.
- Forest, et al., “Subsea Equipment For Deep Water Drilling Using Dual Gradient Mud System,” SPE/IADC Drilling Conference, Amsterdam, The Netherlands, Feb. 27, 2001-Mar. 1, 2001, 8 pages.

- World's First Drilling With Casing Operation From A Floating Drilling Unit, Sep. 2003, 1 page.
- Filippov, et al., "Expandable Tubular Solutions," SPE paper 56500, SPE Annual Technical Conference And Exhibition, Oct. 3-6, 1999, pp. 1-16.
- Coronado, et al., "Development Of A One-Trip ECP Cement Inflation And Stage Cementing System For Open Hole Completions," IADC/SPE Paper 39345, IADC/SPE Drilling Conference, Mar. 3-6, 1998, pp. 473-481.
- Coronado, et al., "A One-Trip External-Casing-Packer Cement-Inflation And Stage-Cementing System," Journal Of Petroleum Technology, Aug. 1998, pp. 76-77.
- Quigley, "Coiled Tubing And Its Applications," SPE Short Course, Houston, Texas, Oct. 3, 1999, 9 pages.
- Bayfield, et al., "Burst And Collapse Of A Sealed Multilateral Junction: Numerical Simulations," SPE/IADC Paper 52873, SPE/IADC Drilling Conference, Mar. 9-11, 1999, 8 pages.
- Marker, et al. "Anaconda: Joint Development Project Leads To Digitally Controlled Composite Coiled Tubing Drilling System," SPE paper 60750, SPE/ICOTA Coiled Tubing Roundtable, Apr. 5-6, 2000, pp. 1-9.
- Cales, et al., Subsidence Remediation—Extending Well Life Through The Use Of Solid Expandable Casing Systems, AADE Paper 01-NC-HO-24, American Association Of Drilling Engineers, Mar. 2001 Conference, pp. 1-16.
- Coats, et al., "The Hybrid Drilling Unite: Ab Overview Of an Integrated Composite Coiled Tubing And Hydraulic Workover Drilling System," SPE Paper 74349, SPE International Petroleum Conference And Exhibitions, Feb. 10-12, 2002, pp. 1-7.
- Sander, et al., "Project Management And Technology Provide Enhanced Performance For Shallow Horizontal Wells," IADC/SPE Paper 74466, IADC/SPE Drilling Conference, Feb. 26-28, 2002, pp. 1-9.
- Coats, et al., "The Hybrid Drilling System: Incorporating Composite Coiled Tubing And Hydraulic Workover Technologies Into One Integrated Drilling System," IADC/SPE Paper 74538, IADC/SPE Drilling Conference, Feb. 26-28, 2002, pp. 1-7.
- Galloway, "Rotary Drilling With Casing—A Field Proven Method Of Reducing Wellbore Construction Cost," Paper WOCD-0306092, World Oil Casing Drilling Technical Conference, Mar. 6-7, 2003, pp. 1-7.
- Fontenot, et al., "New Rig Design Enhances Casing Drilling Operations In Lobo Trend," paper WOCD-0306-04, World Oil Casing Drilling Technical Conference, Mar. 6-7, 2003, pp. 1-13.
- McKay, et al., "New Developments In The Technology Of Drilling With Casing: Utilizing A Displaceable DrillShoe Tool," Paper WOCD-0306-05, World Oil Casing Drilling Technical Conference, Mar. 6-7, 2003, pp. 1-11.
- Sutriano—Santos, et al., "Drilling With Casing Advances To Floating Drilling Unit With Surface BOP Employed," Paper WOCD-0307-01, World Oil Casing Drilling Technical Conference, Mar. 6-7, 2003 pp. 1-7.
- Vincent, et al., "Liner And Casing Drilling—Case Histories And Technology," Paper WOCD-0307-02, World Oil Casing Drilling Technical Conference, Mar. 6-7, 2003, pp. 1-20.
- Maute, "Electrical Logging: State-of-the Art," The Log Analyst, May-Jun. 1992, pp. 206-227.
- Tessari, et al., "Retrievable Tools Provide Flexibility for Casing Drilling," Paper No. WOCD-0306-01, World Oil Casing Drilling Technical Conference, 2003, pp. 1-11.
- Evans, et al., "Development And Testing Of An Economical Casing Connection For Use In Drilling Operations," paper WOCD-0306-03, World Oil Casing Drilling Technical Conference, Mar. 6-7, 2003, pp. 1-10.
- Tommy Warren, Bruce Houtchens, and W. R. Portas, Jr., Part II: Casing Drilling With Directional Steering In The U.S. Gulf of Mexico, Offshore, pp. 40-42, Feb. 2001.
- Tommy Warren, Bruce Houtchens, and W. R. Portas, Jr., Casing Drilling With Directional Steering In The U.S. Gulf of Mexico, Offshore, pp. 50, 52-53, Jan. 2001.
- Brian Tarr and Richard Sukup, Casing-While-Drilling: The Next Step Change In Well Construction, World Oil, pp. 34, 36, 38, 30, 40, Oct. 1999.
- Detlef Hahn, Friedhelm Makohl, and Larry Watkins, Casing-While-Drilling System Reduces Hole Collapse Risks, Offshore, pp. 54, 56, 59, Feb. 1998.
- PCT Partial International Search Report, International Application No. PCT/US2004/003702, dated Aug. 6, 2004.
- GB Examination Report, Application No. 0516281.3, Dated May 2, 2006.
- Multilateral Case History, Onshore-Nigeria, Baker Hughes, 2000.
- Multilateral Case History, Onshore Norway, Baker Hughes, 1995.
- Tommy Warren, Bruce Houtchens, and Garrett Madell, Directional Drilling With Casing, SPE/IADC 79914, SPE/IADC Drilling Conference, Amsterdam, The Netherlands, Feb. 19-21, 2003, pp. 1-10.

* cited by examiner

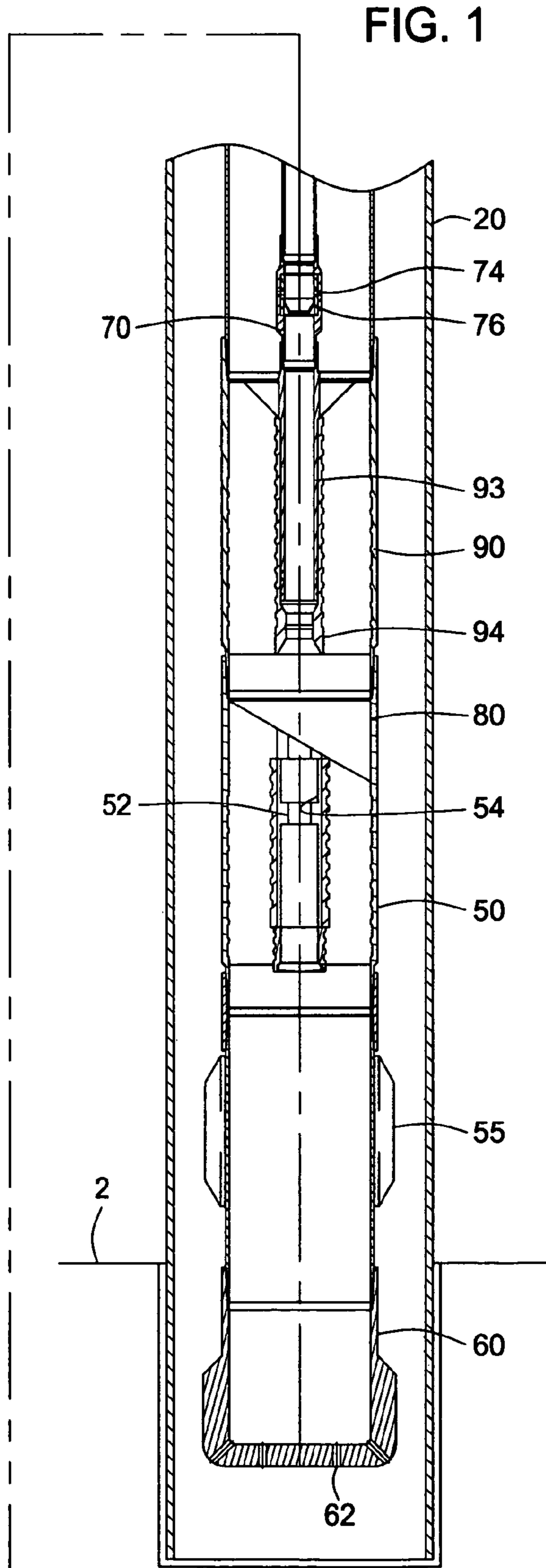
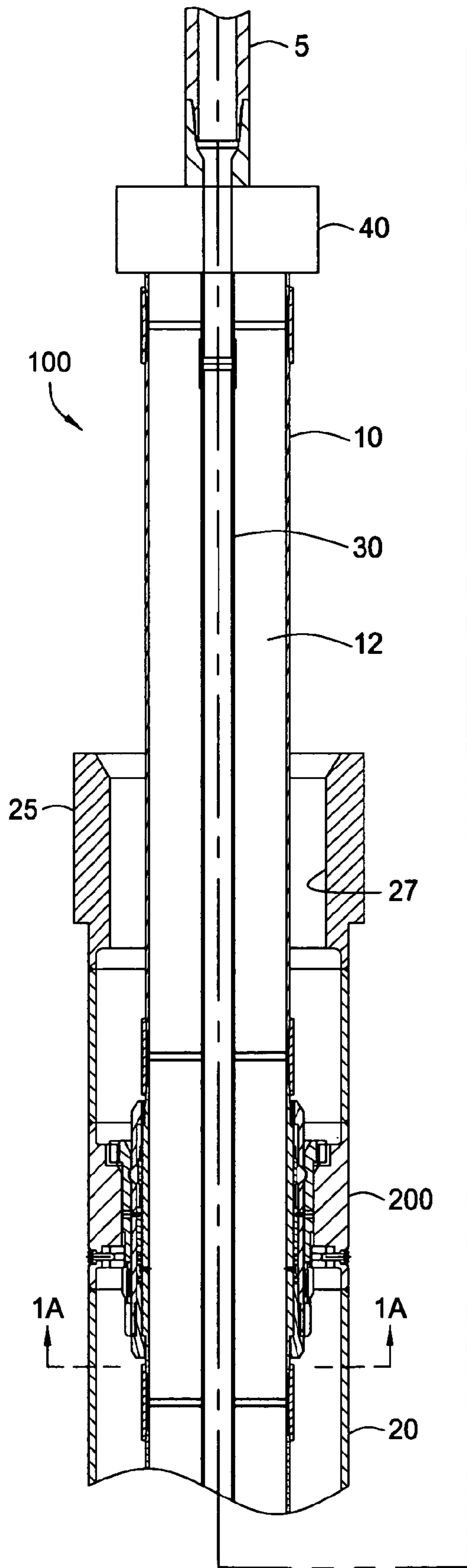


FIG. 1

FIG. 1A

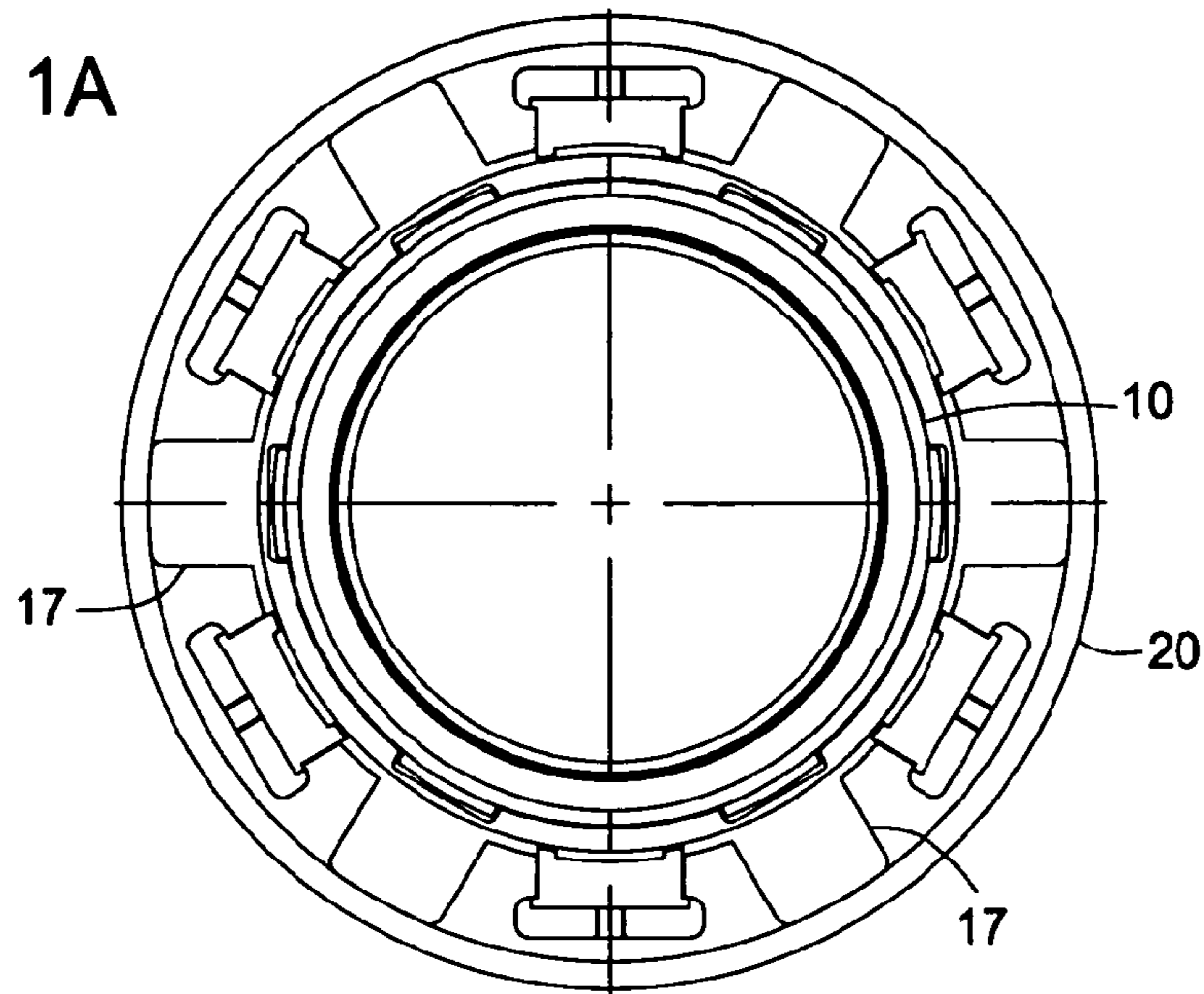
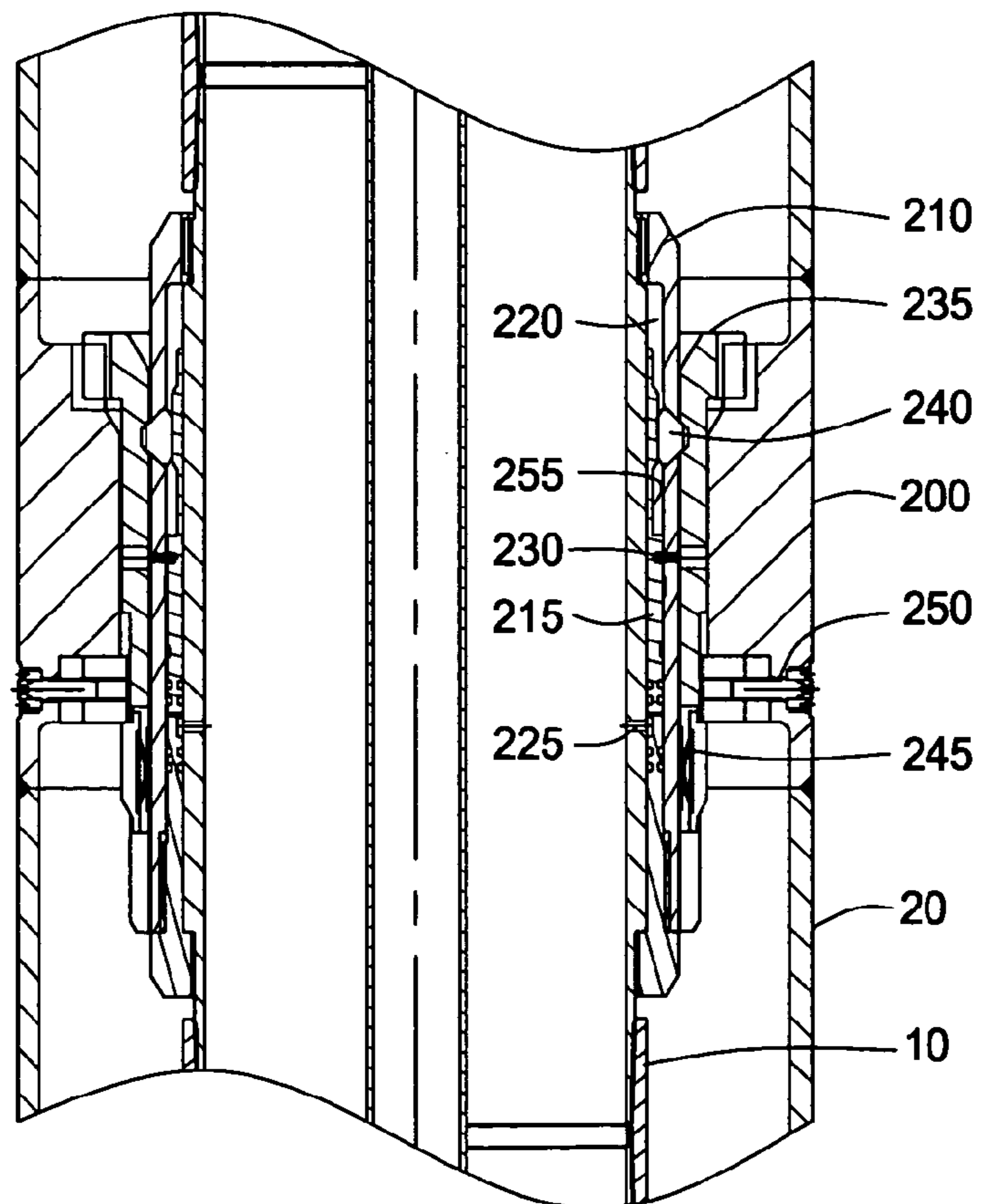
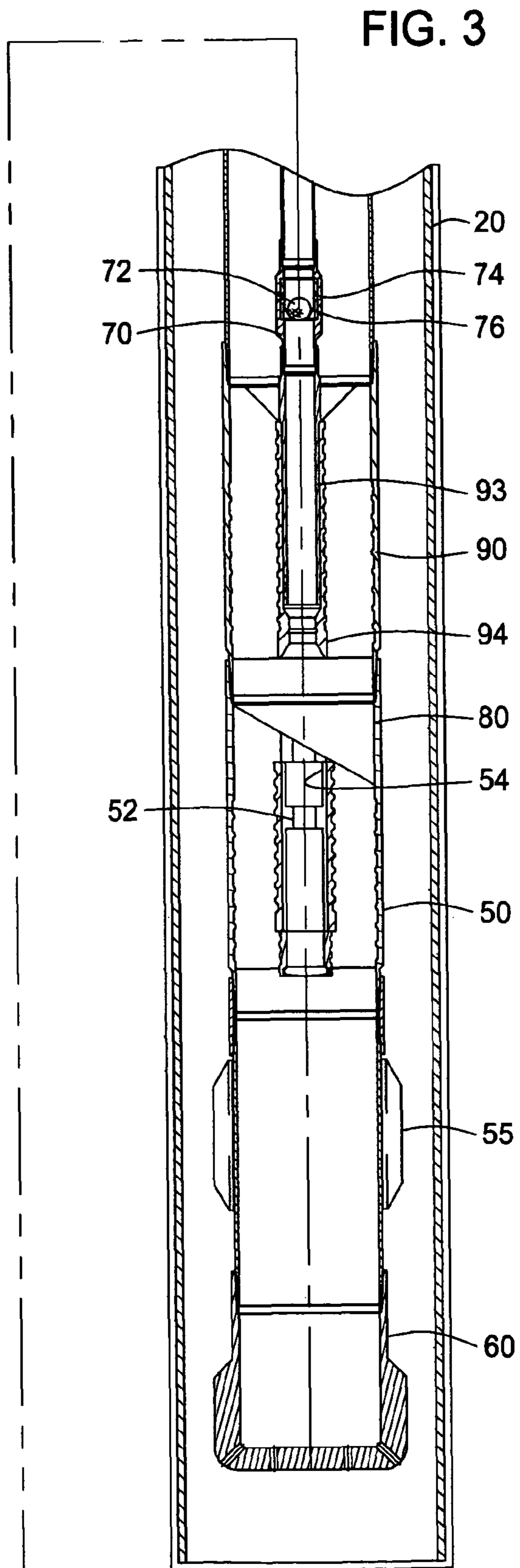
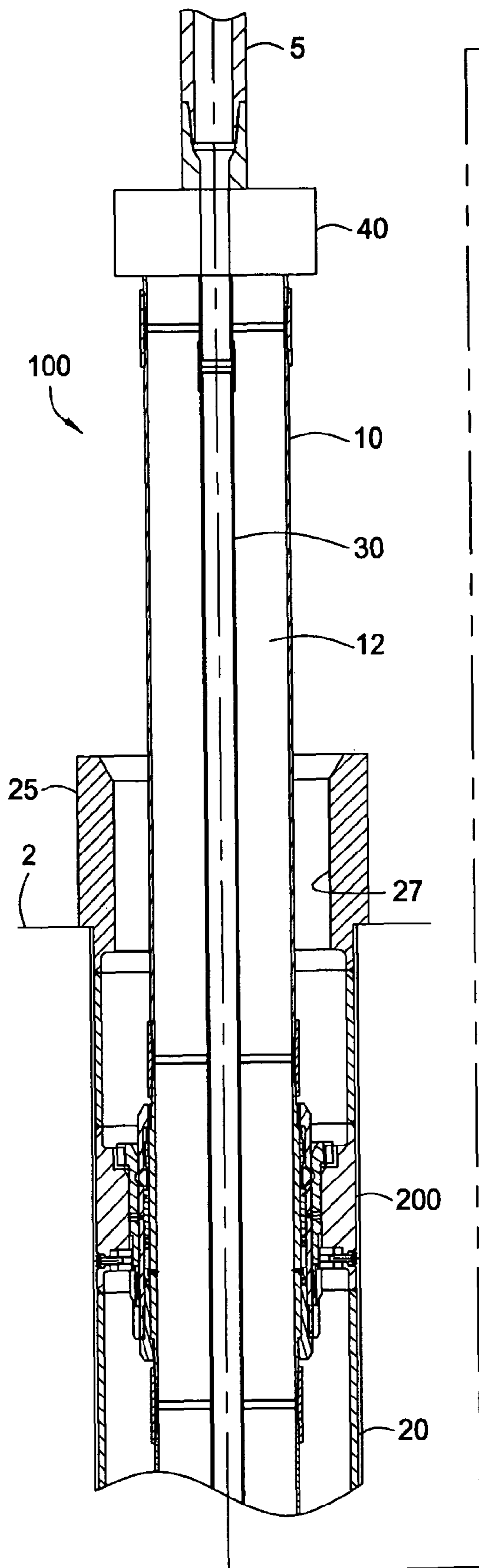


FIG. 2





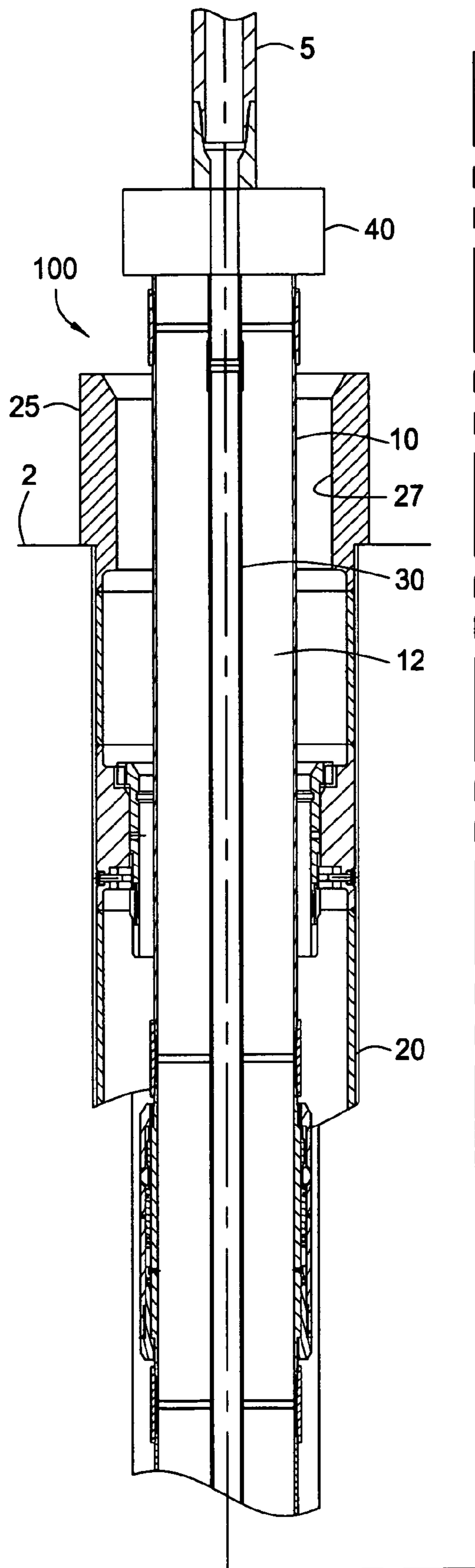
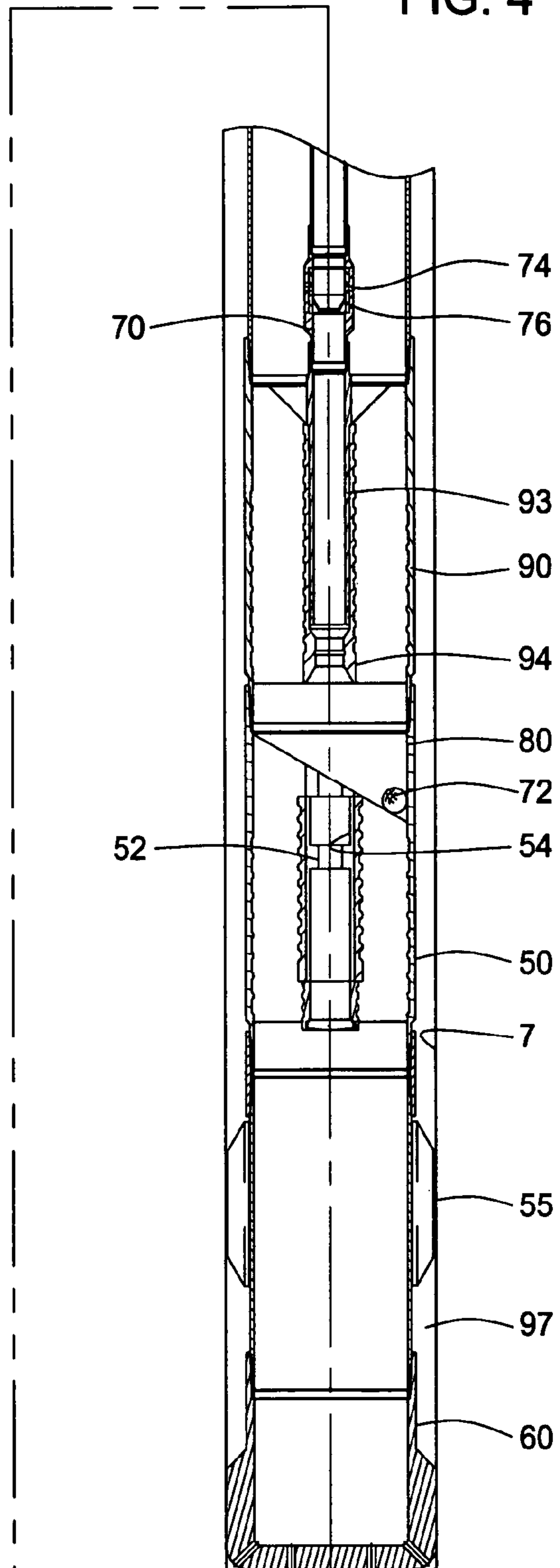
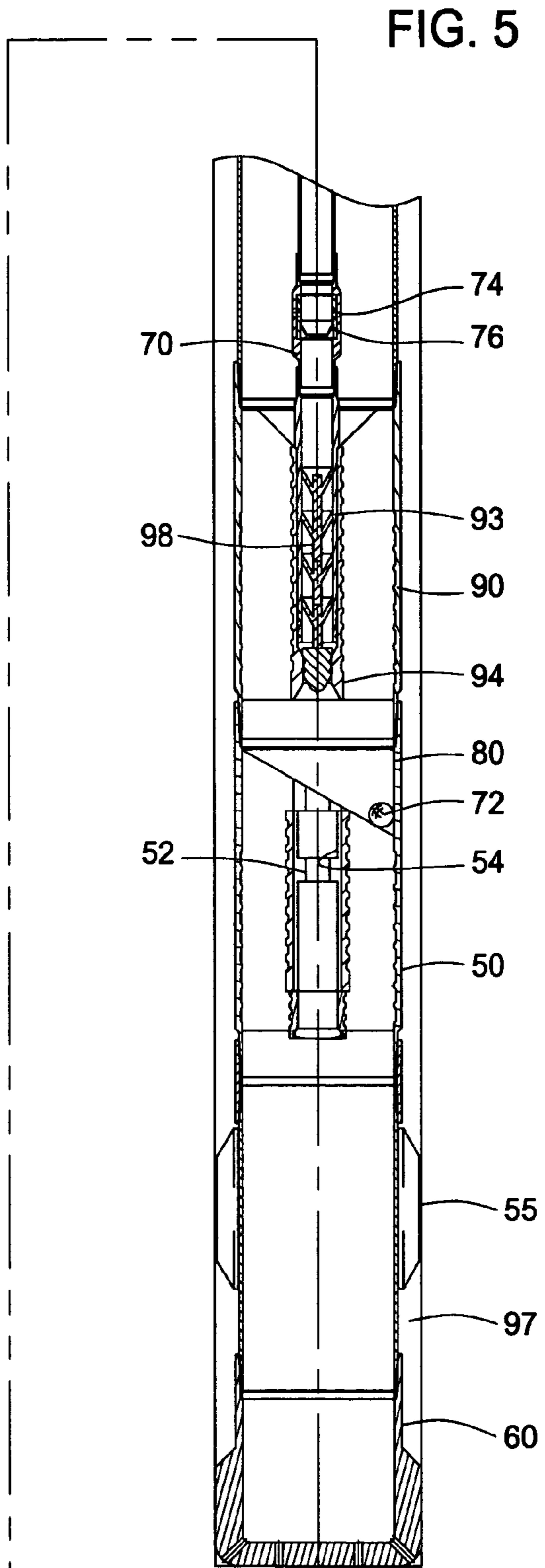
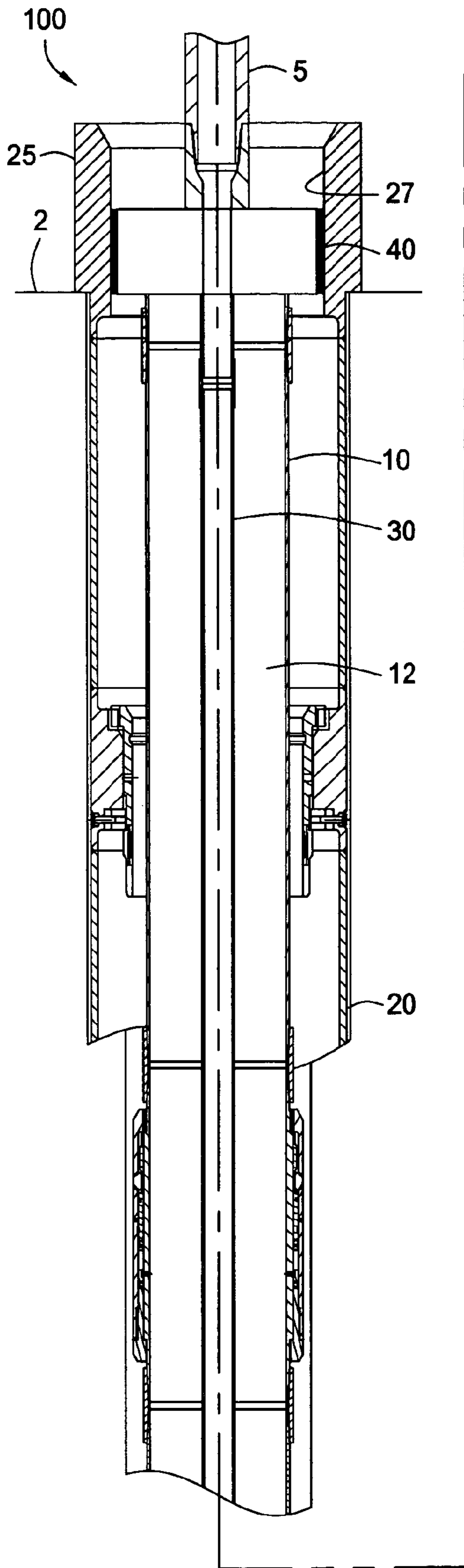


FIG. 4





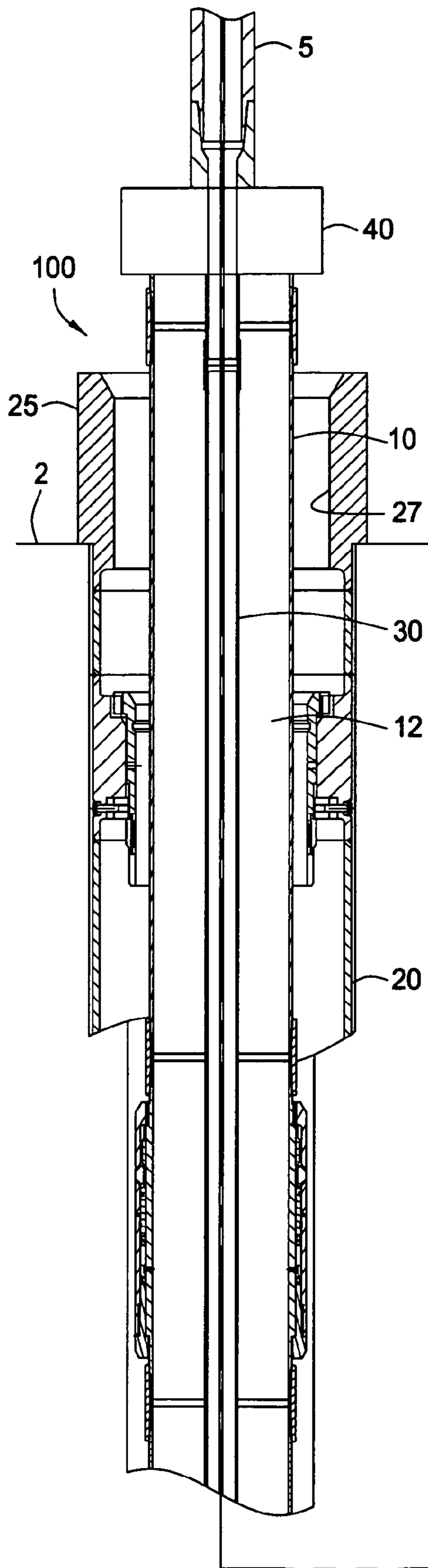
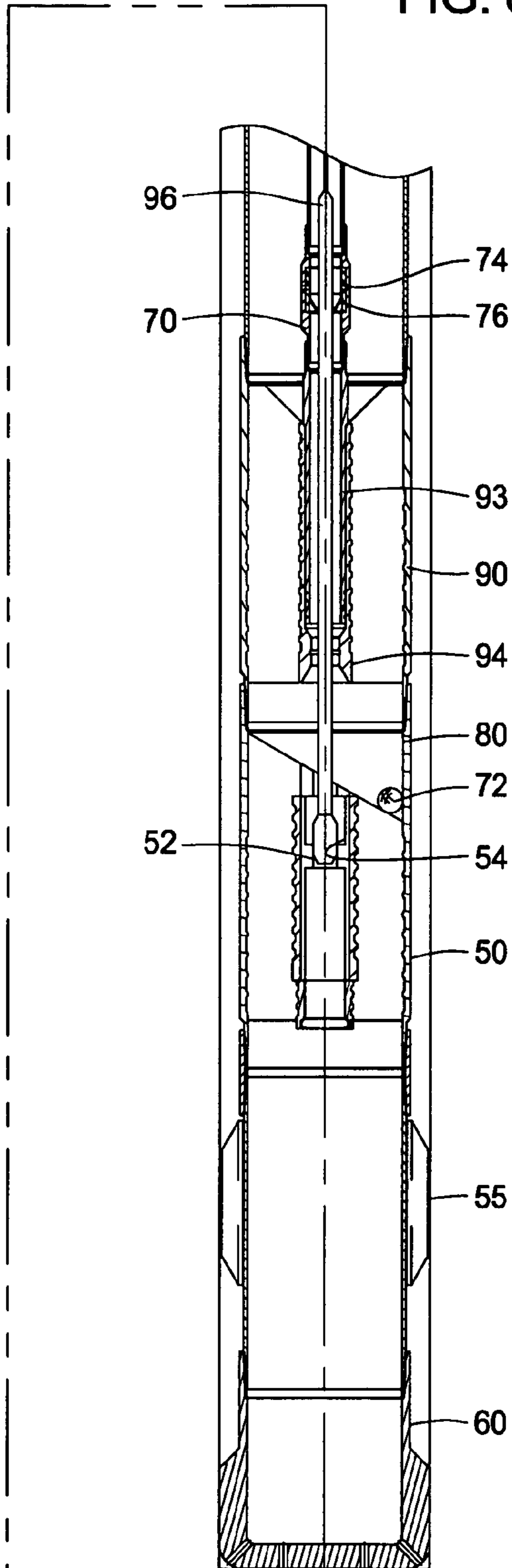


FIG. 6



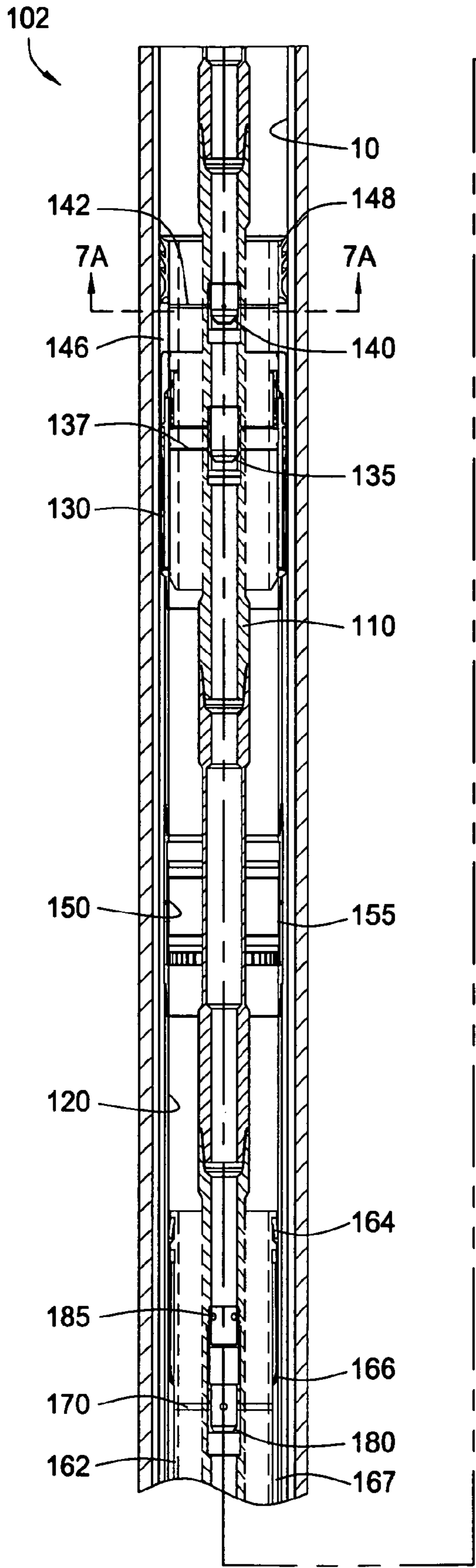


FIG. 7

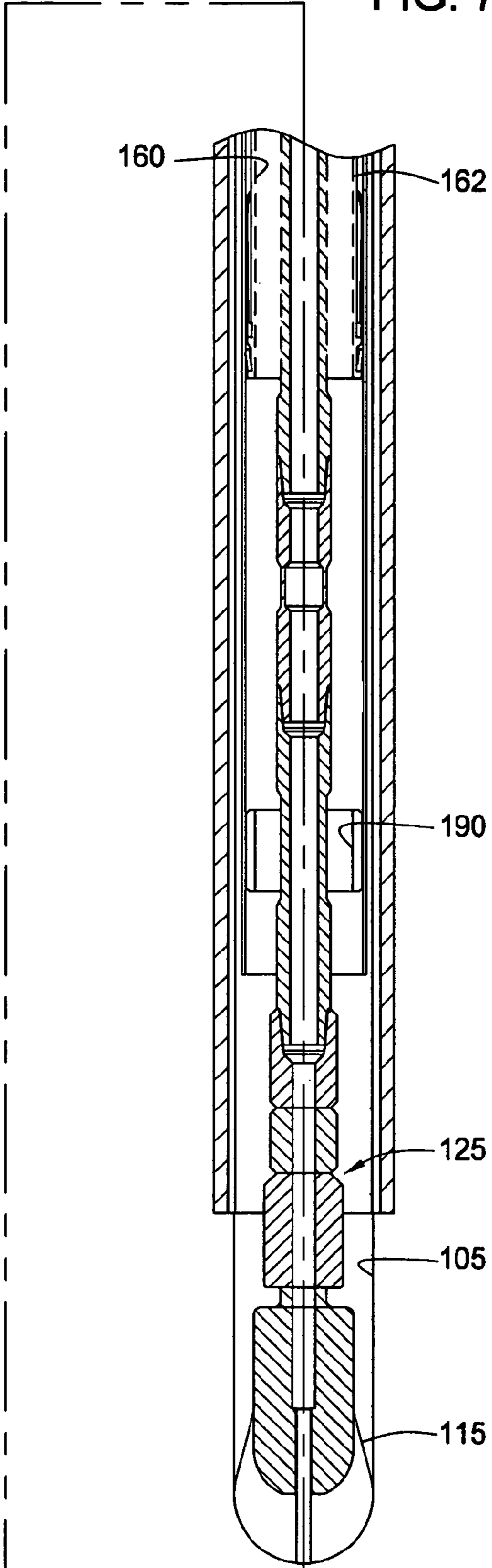


FIG. 7A

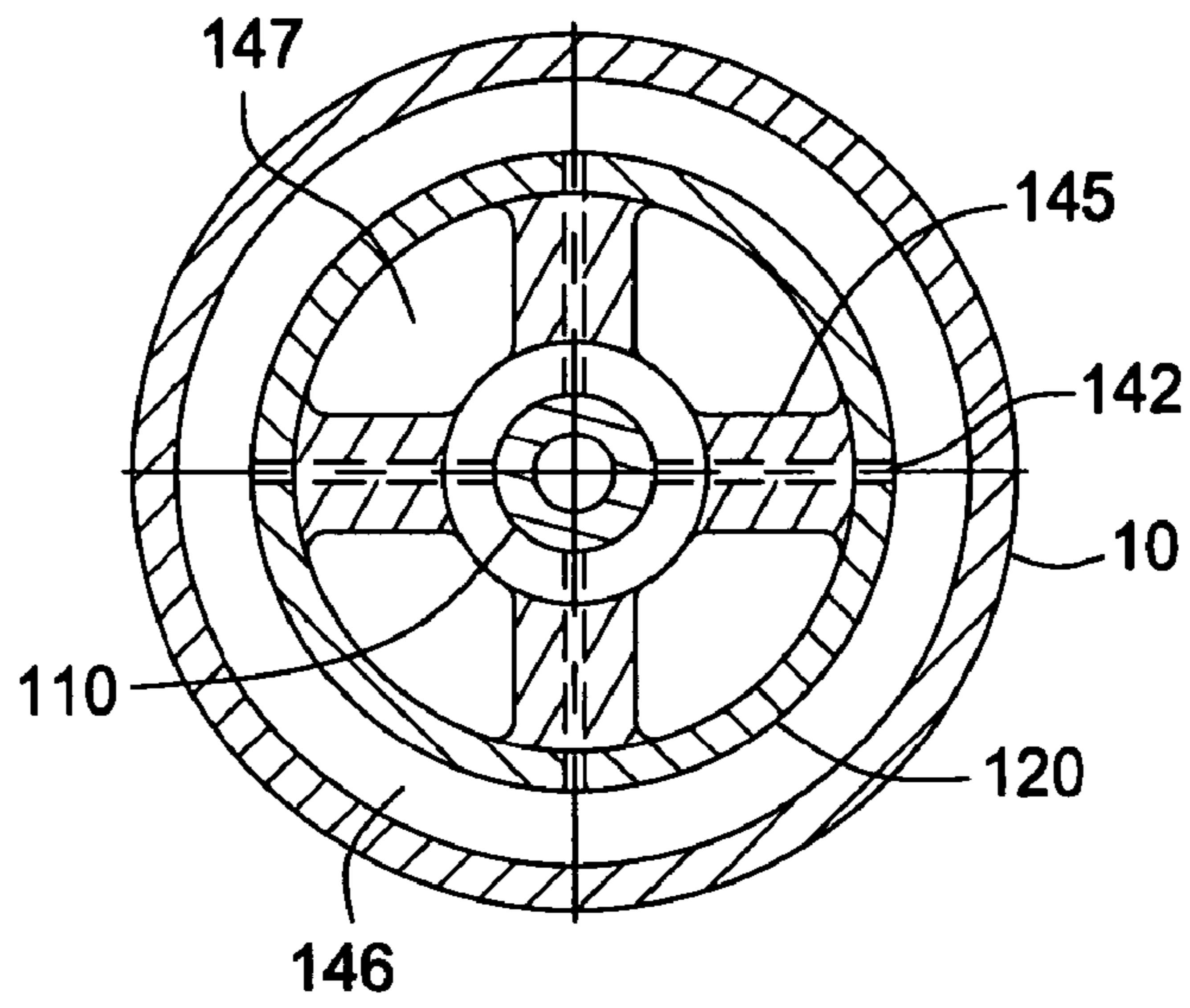
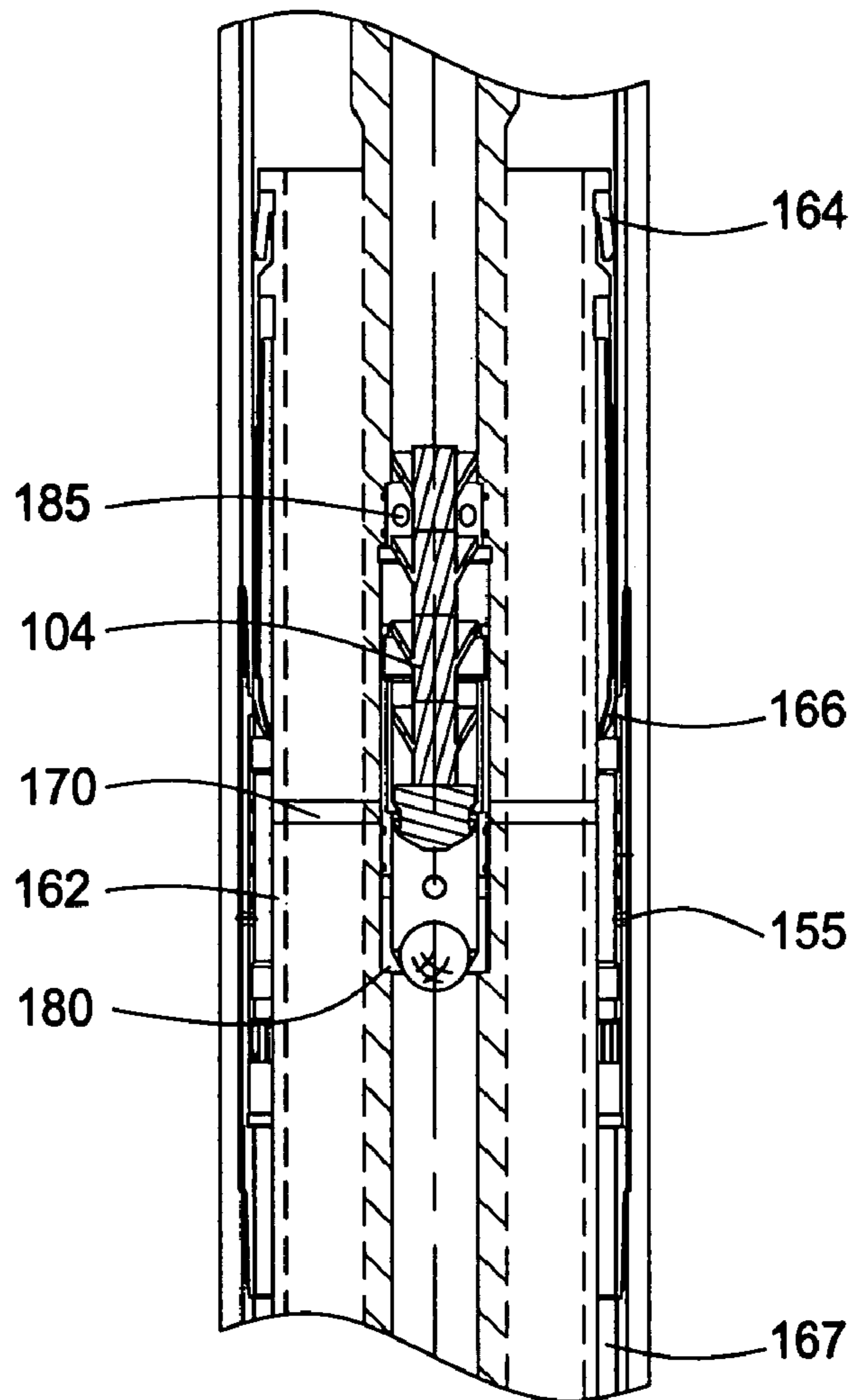
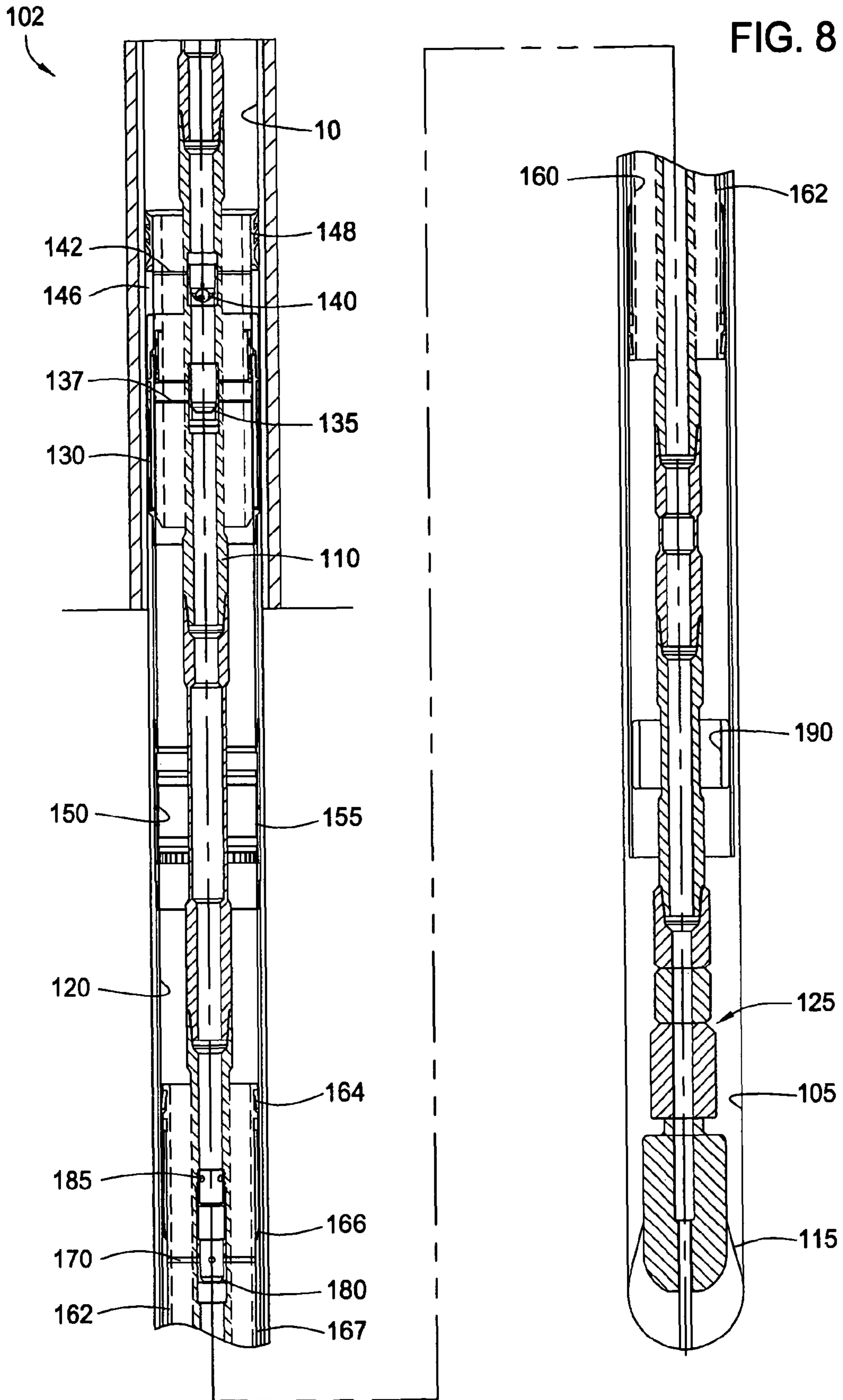
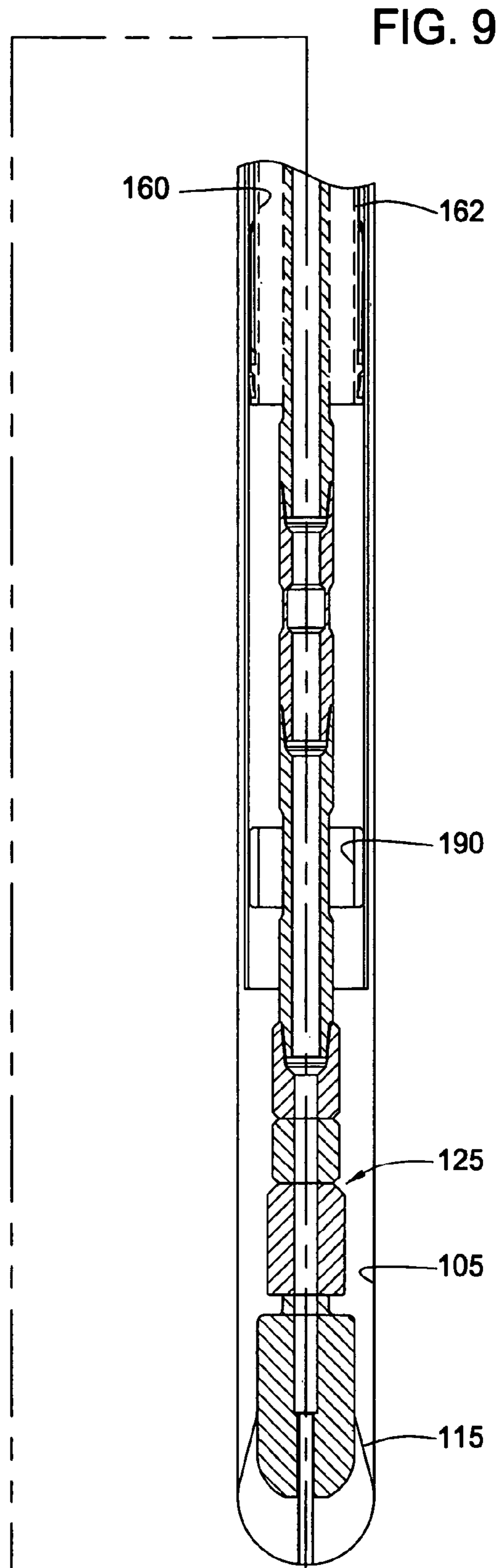
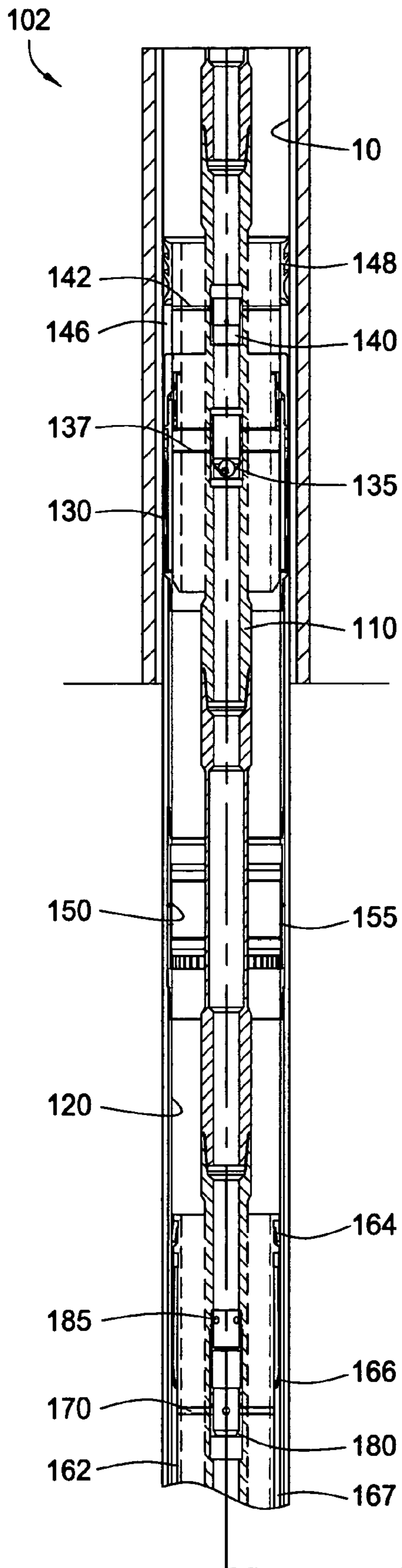


FIG. 12A







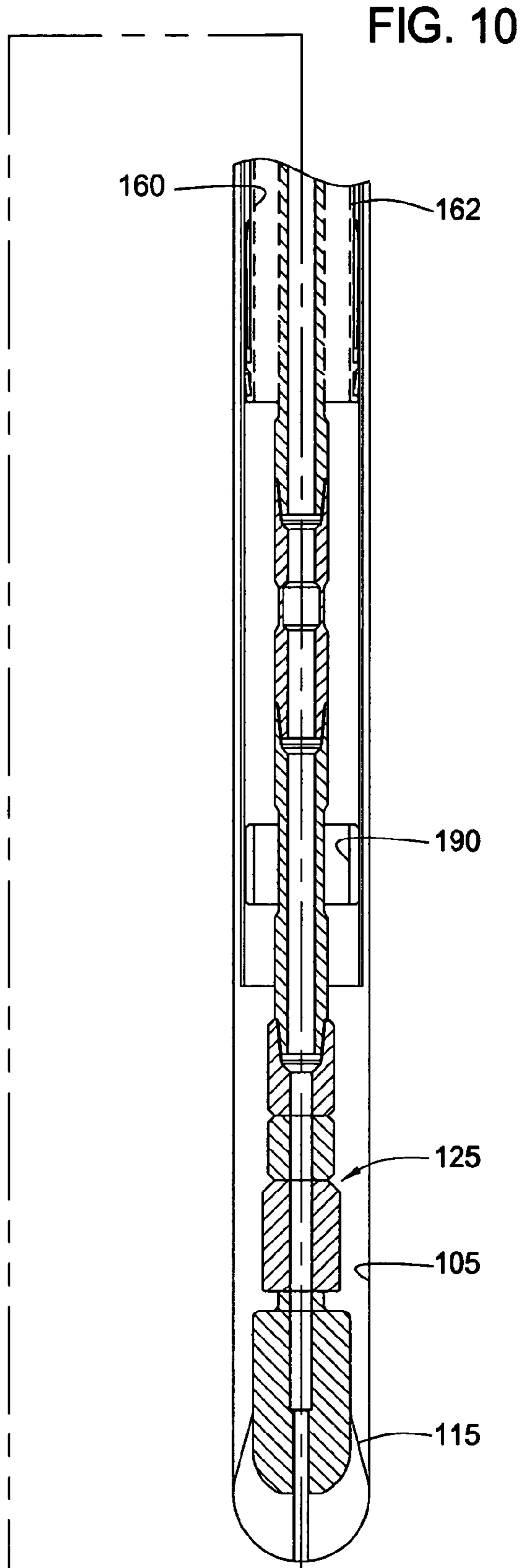
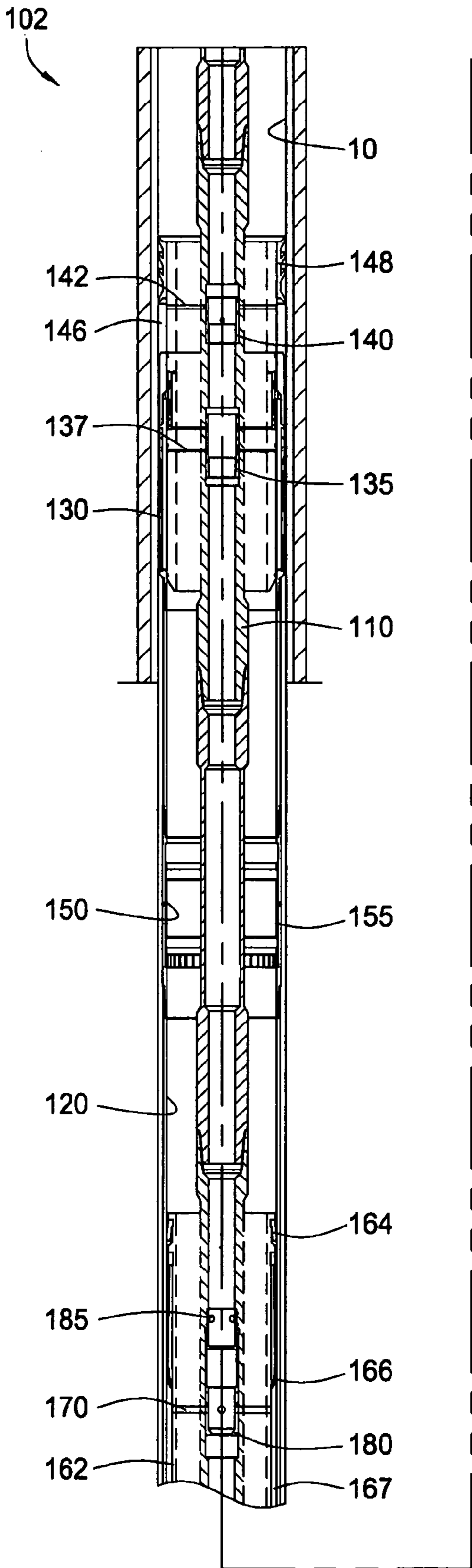
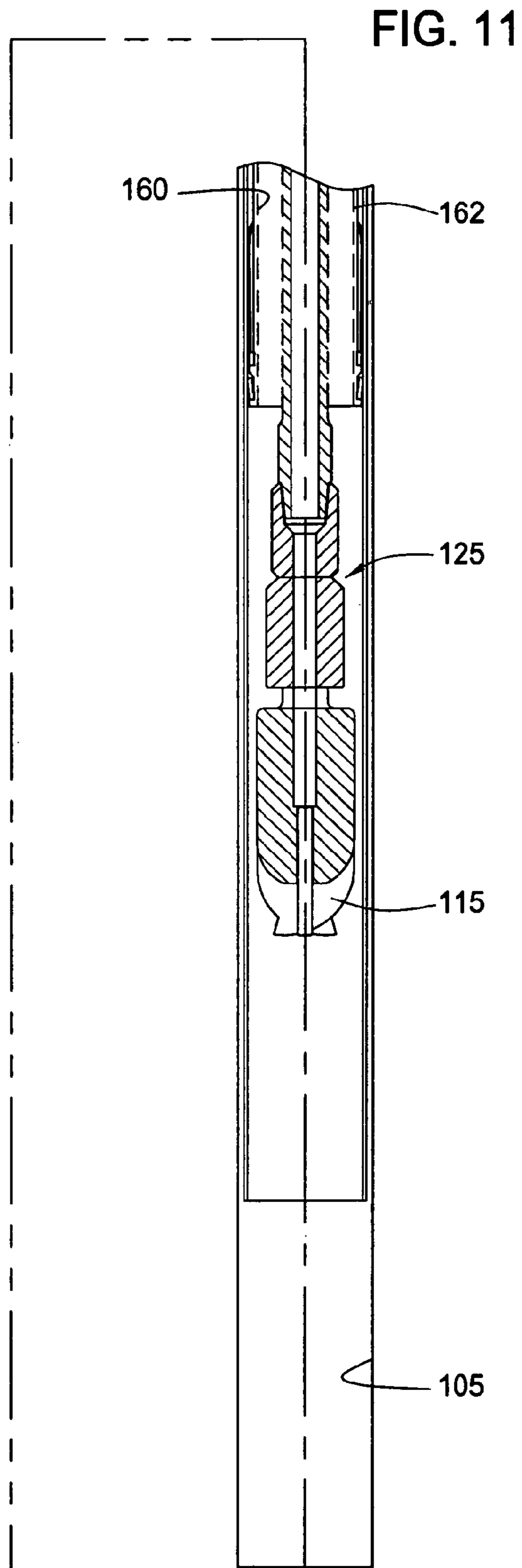
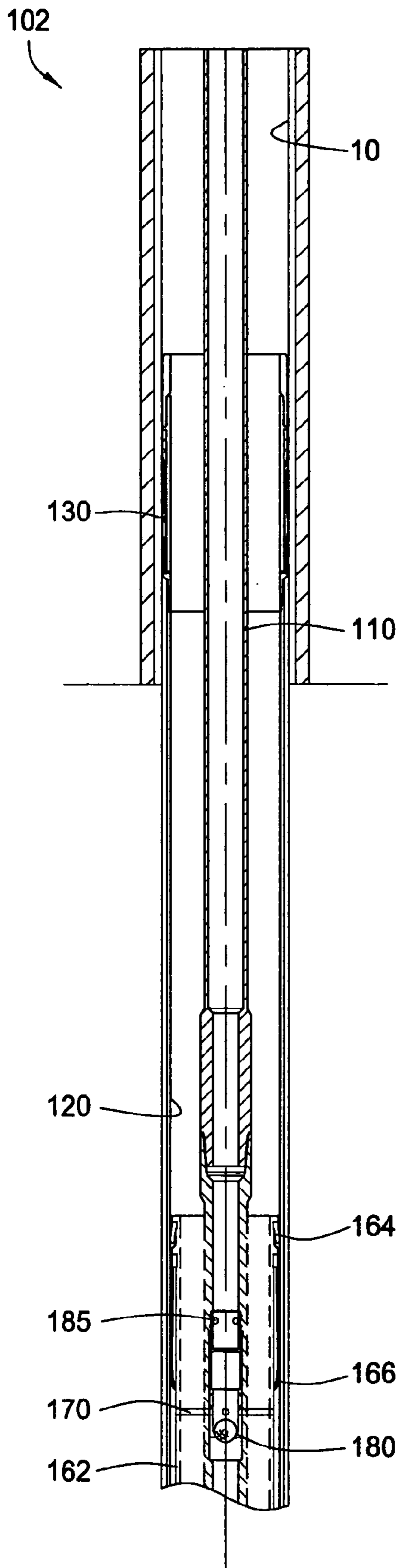
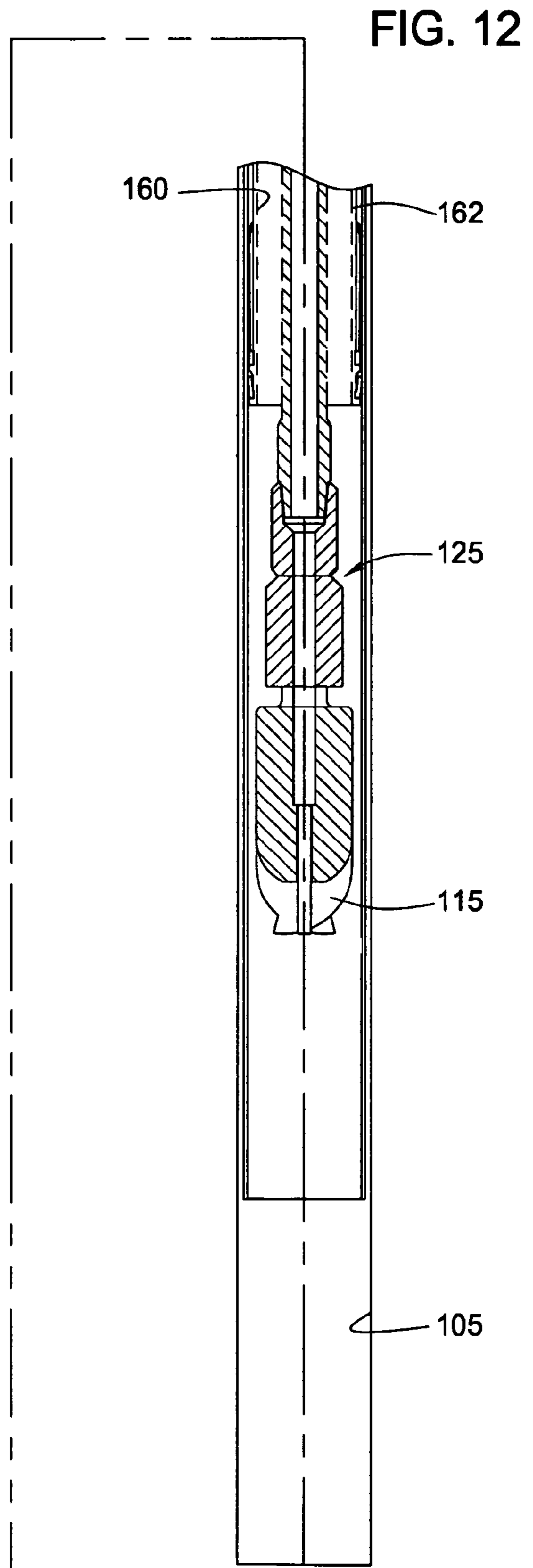
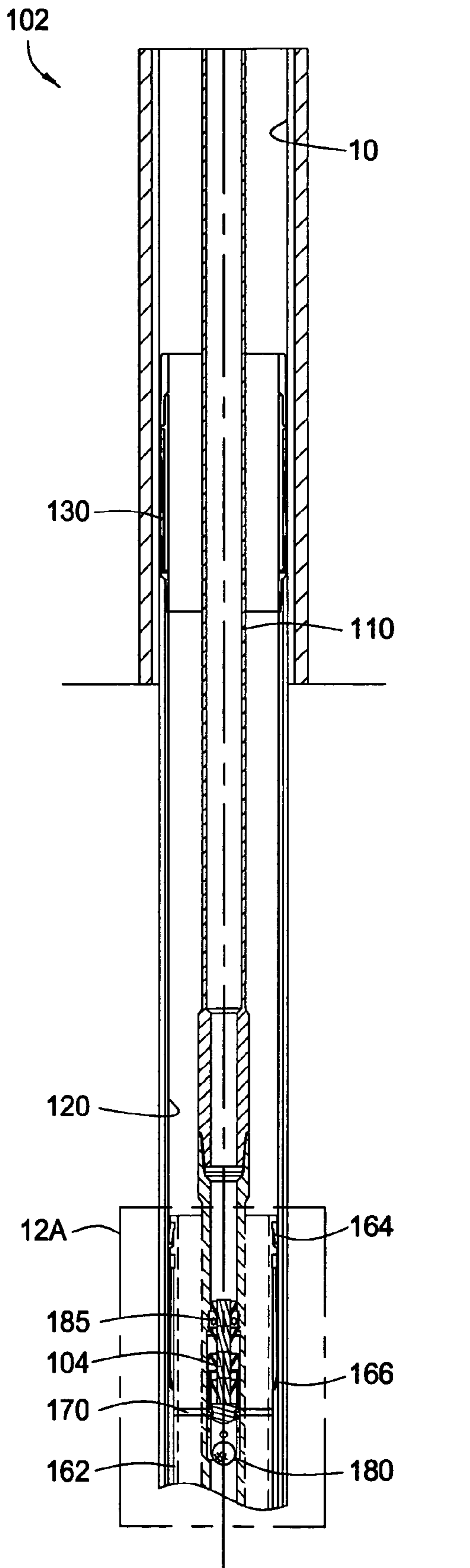
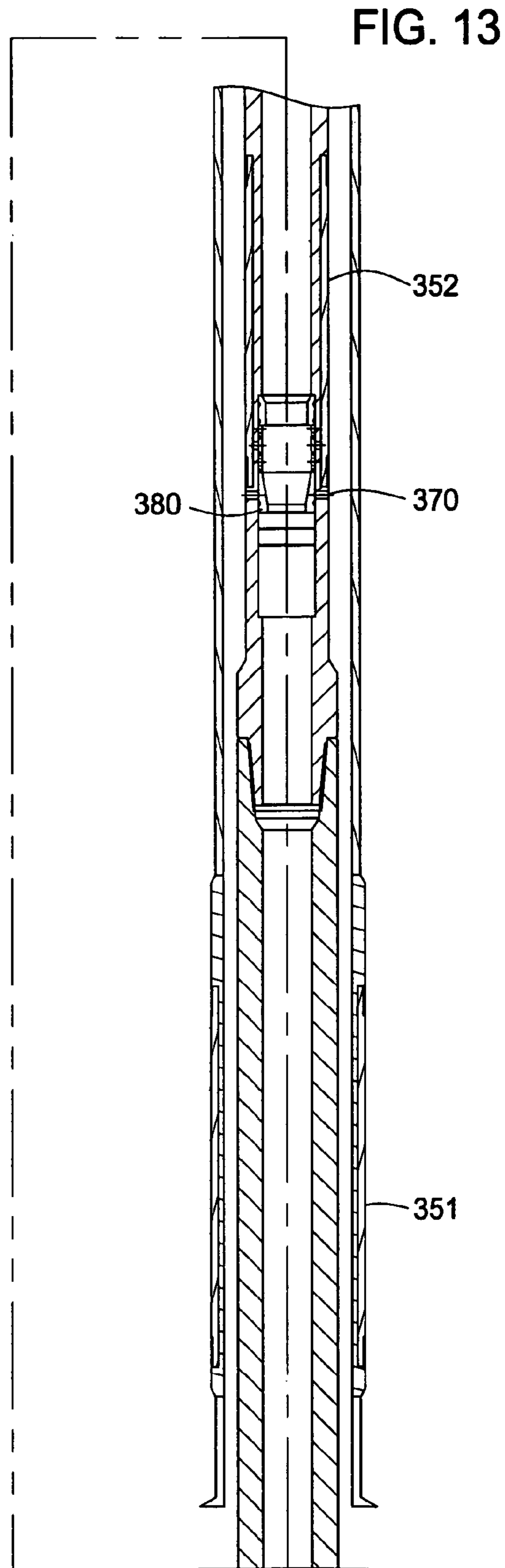
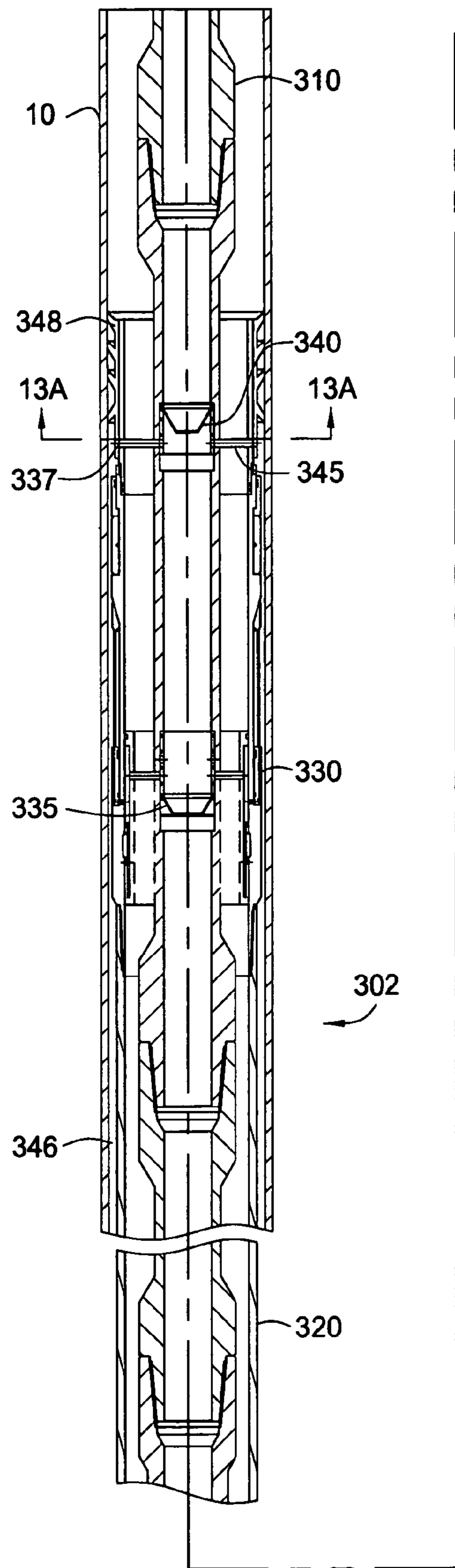


FIG. 10







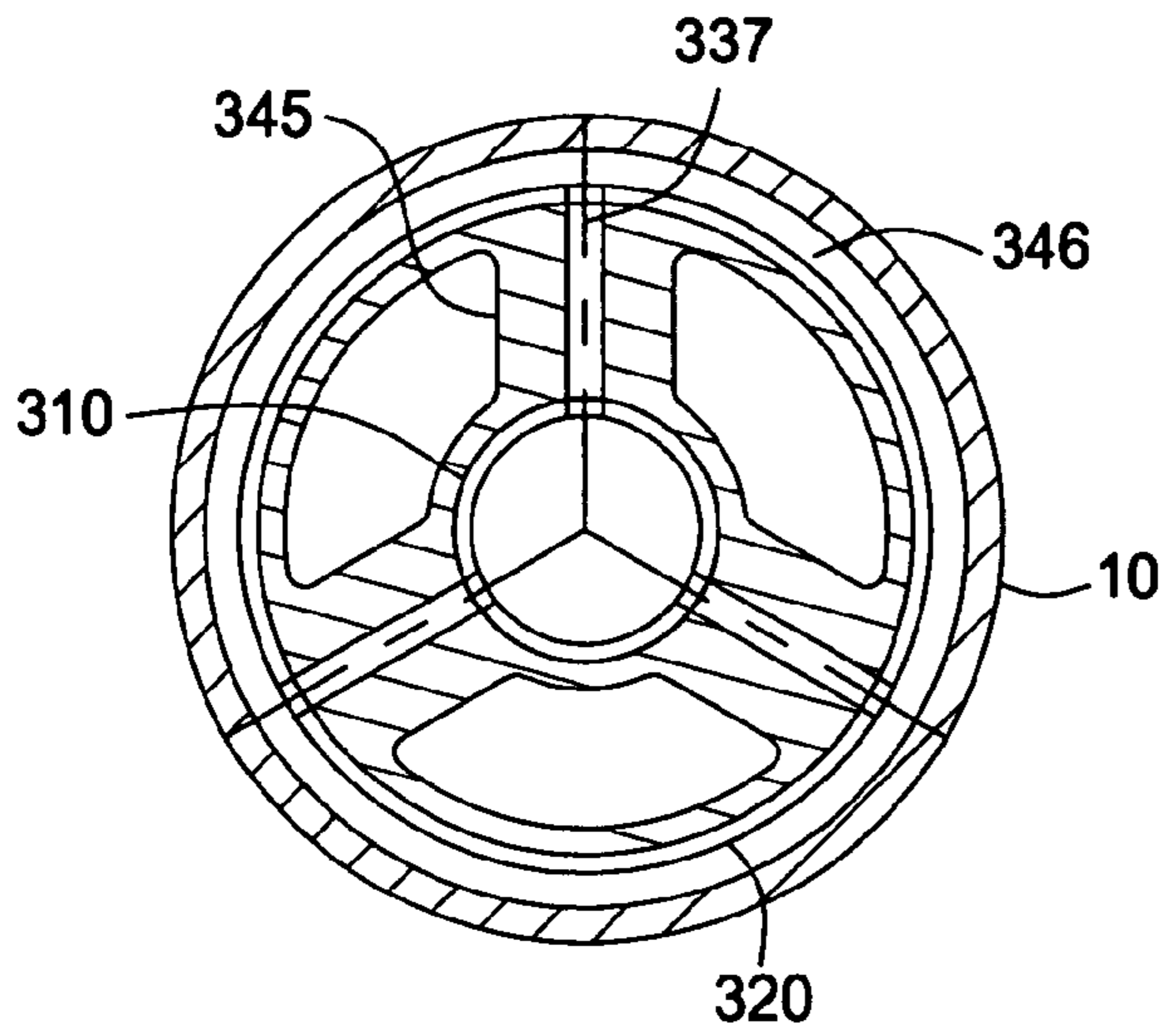


FIG. 13A

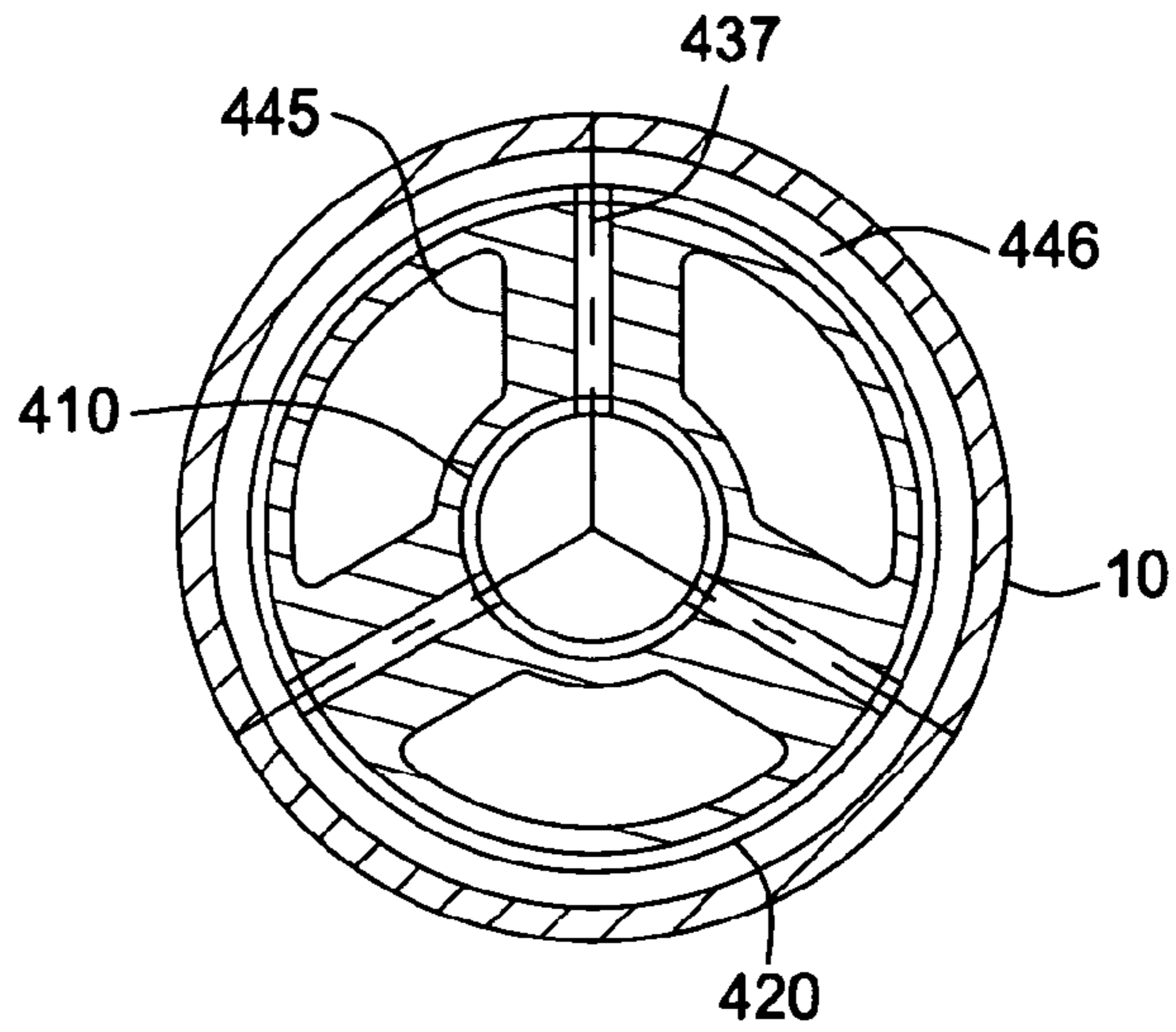


FIG. 20A

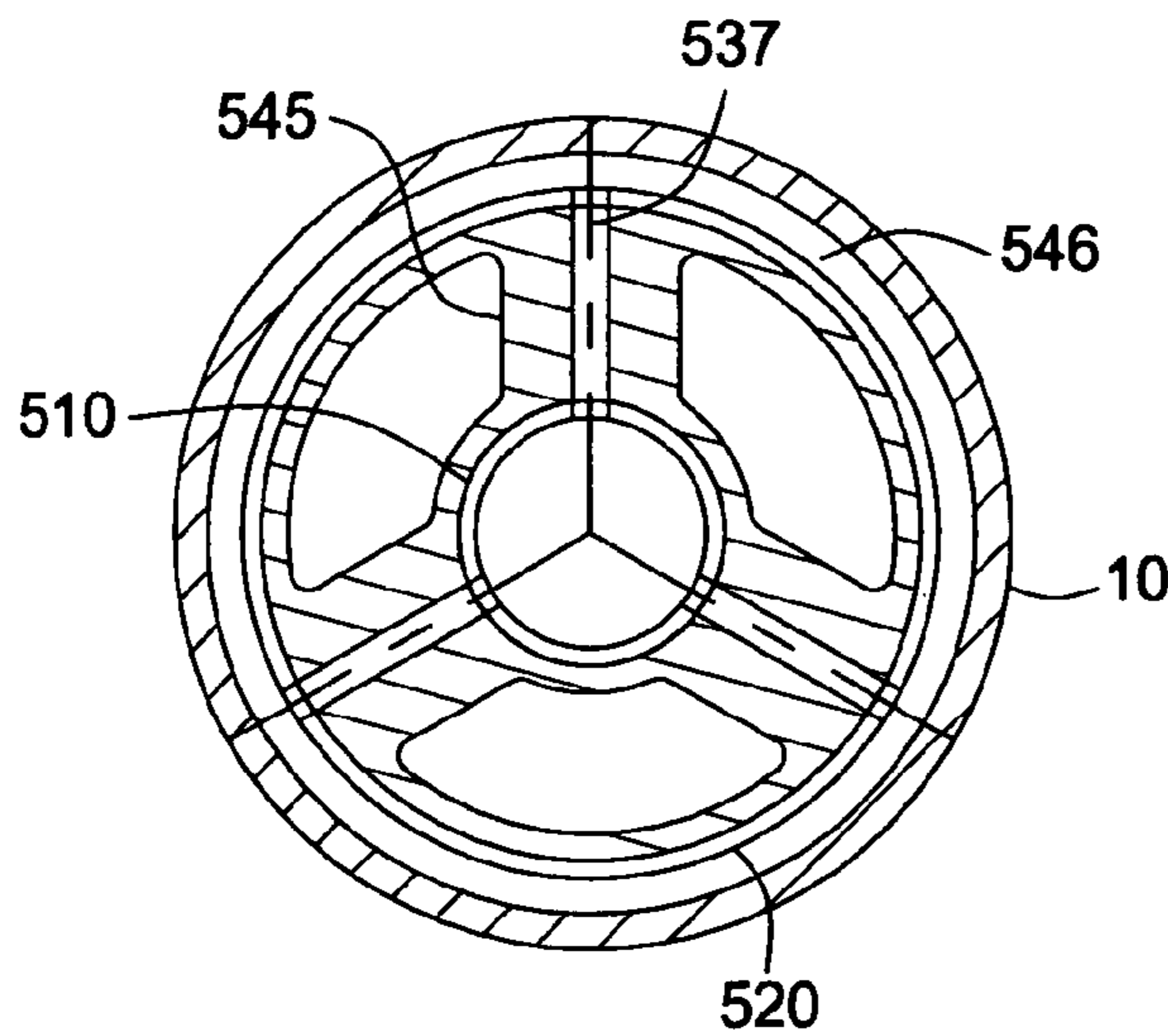
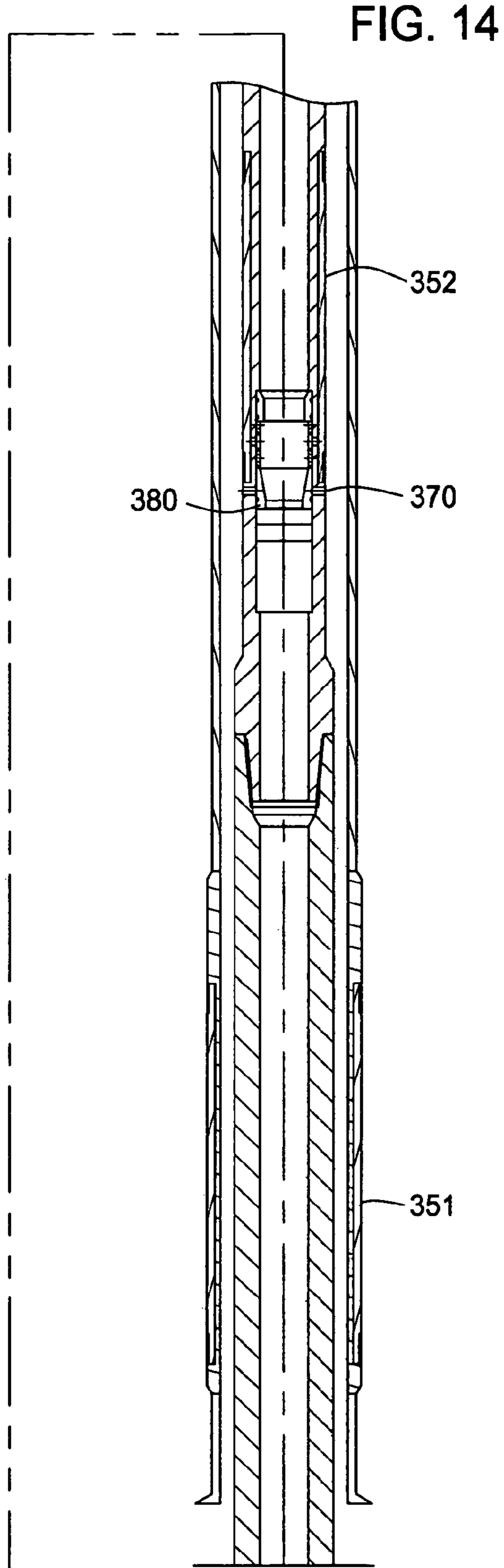
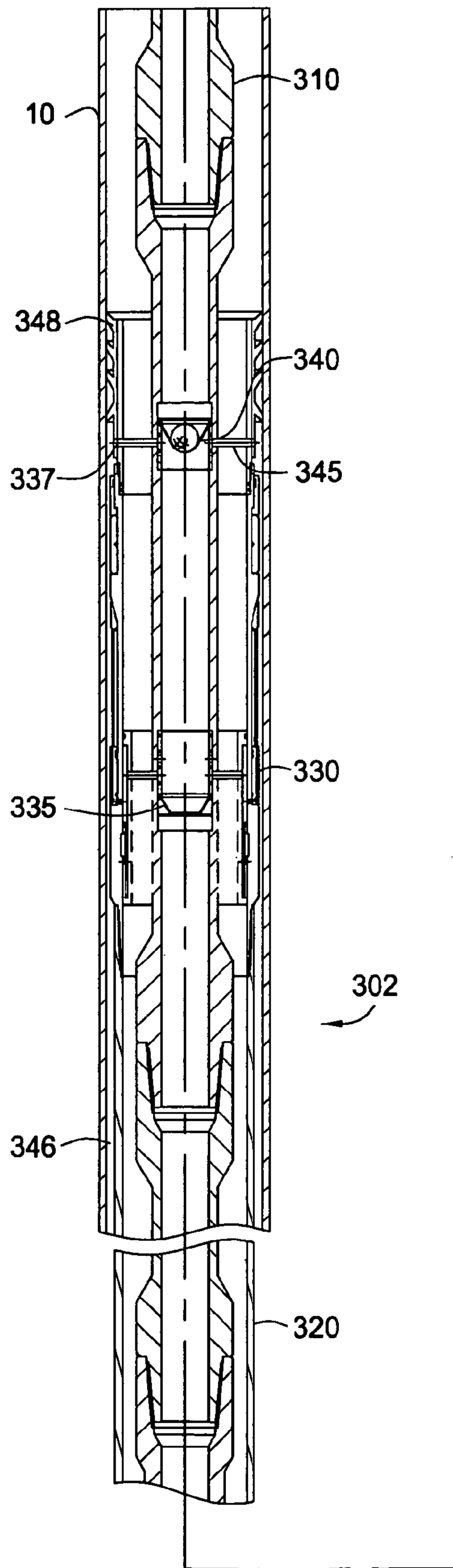


FIG. 25A



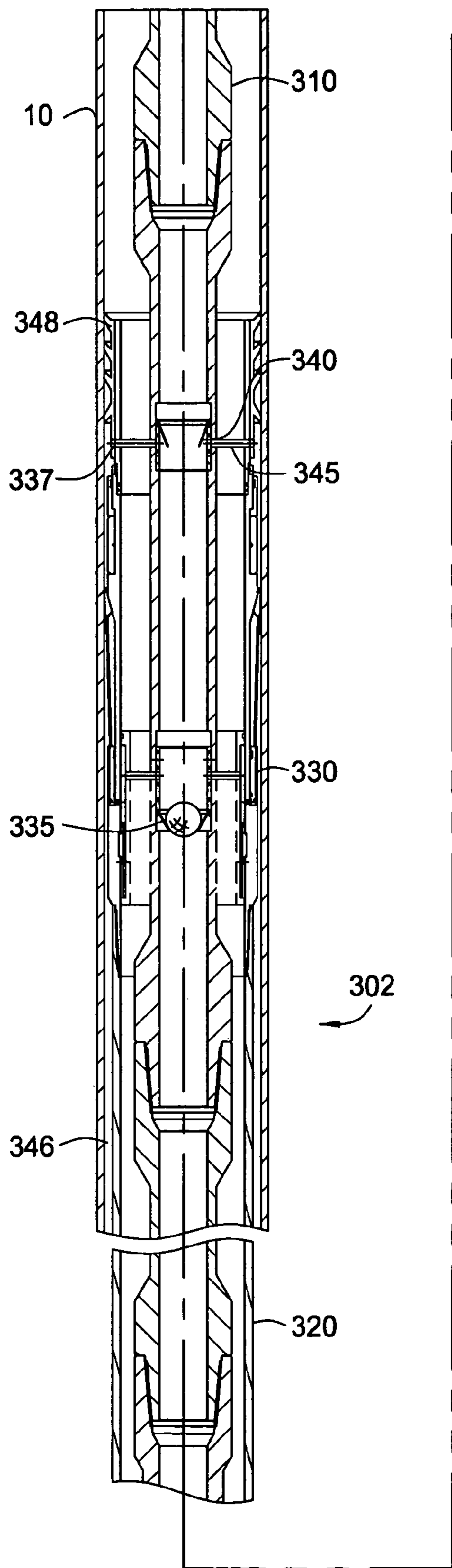
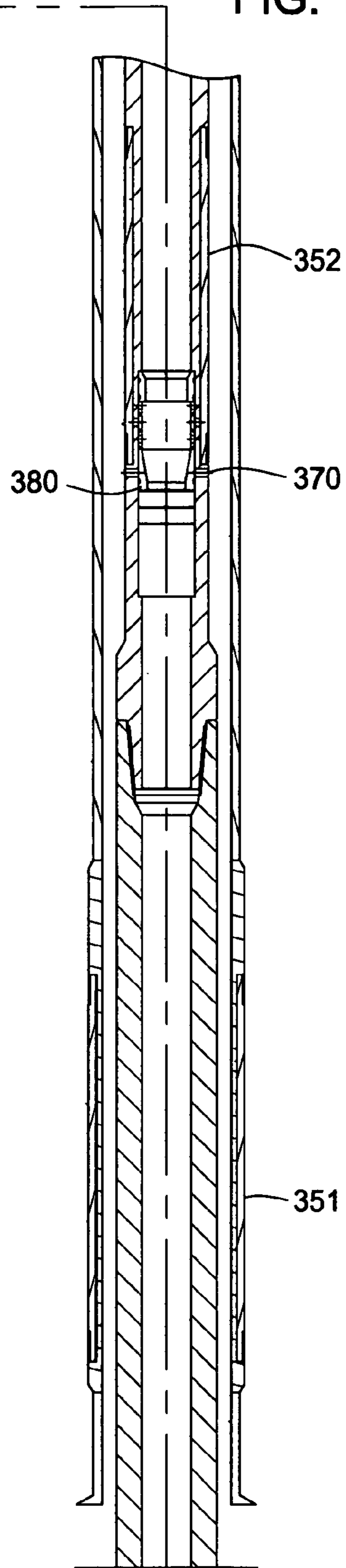


FIG. 15



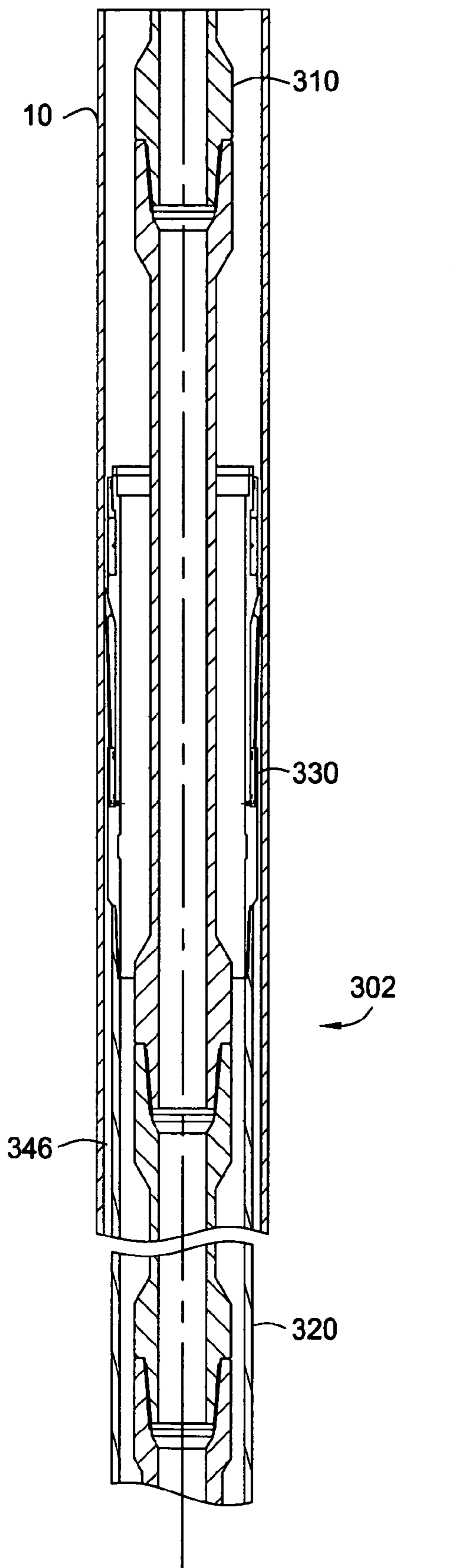
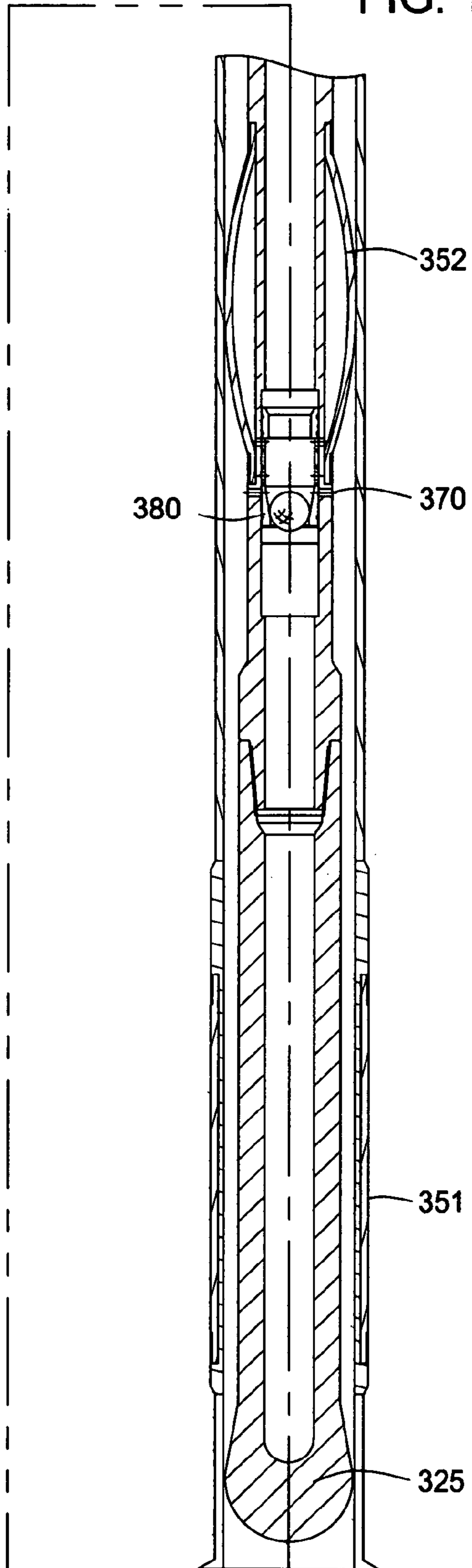


FIG. 16



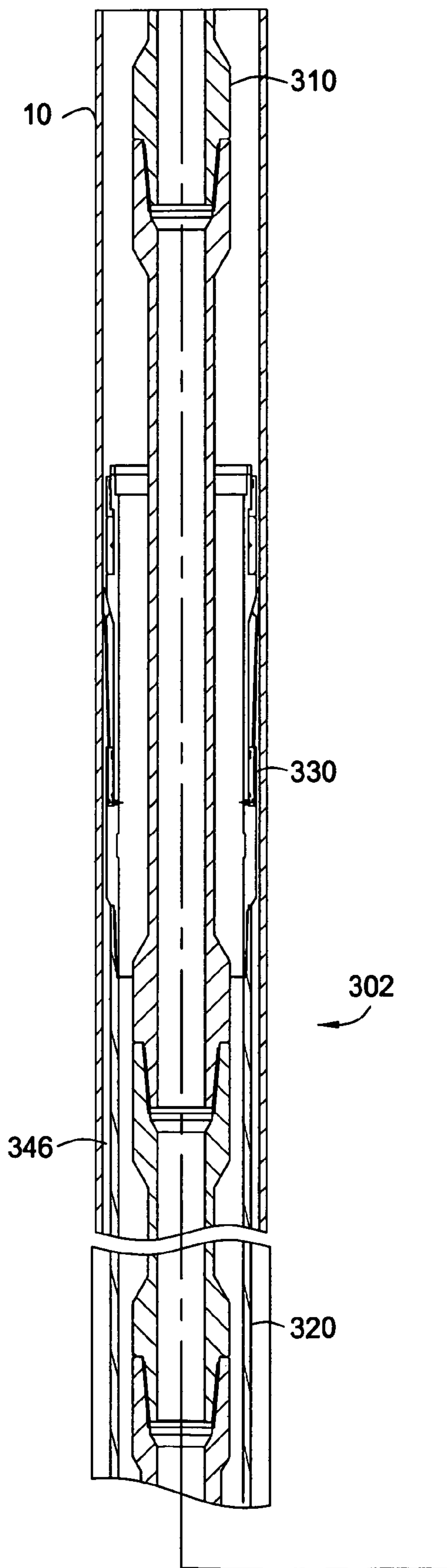
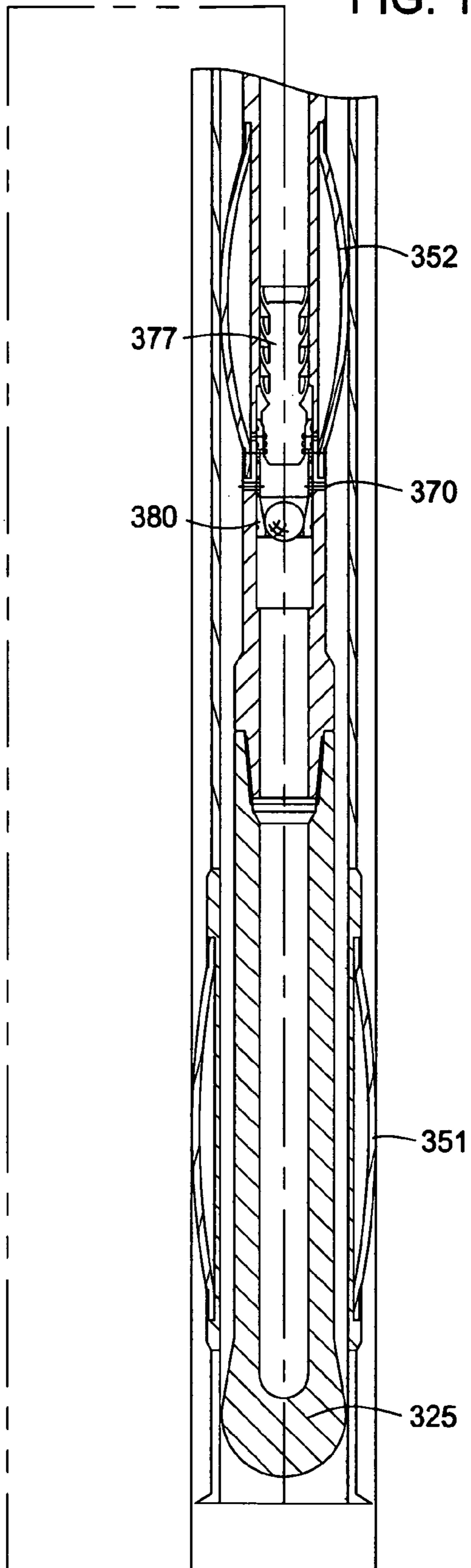


FIG. 17



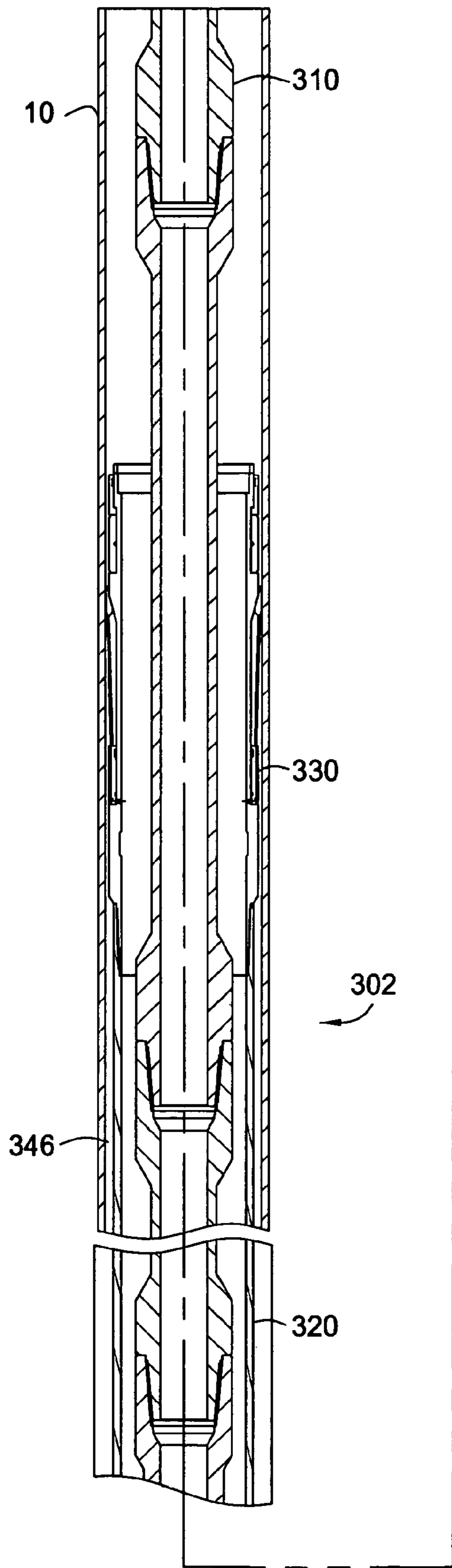
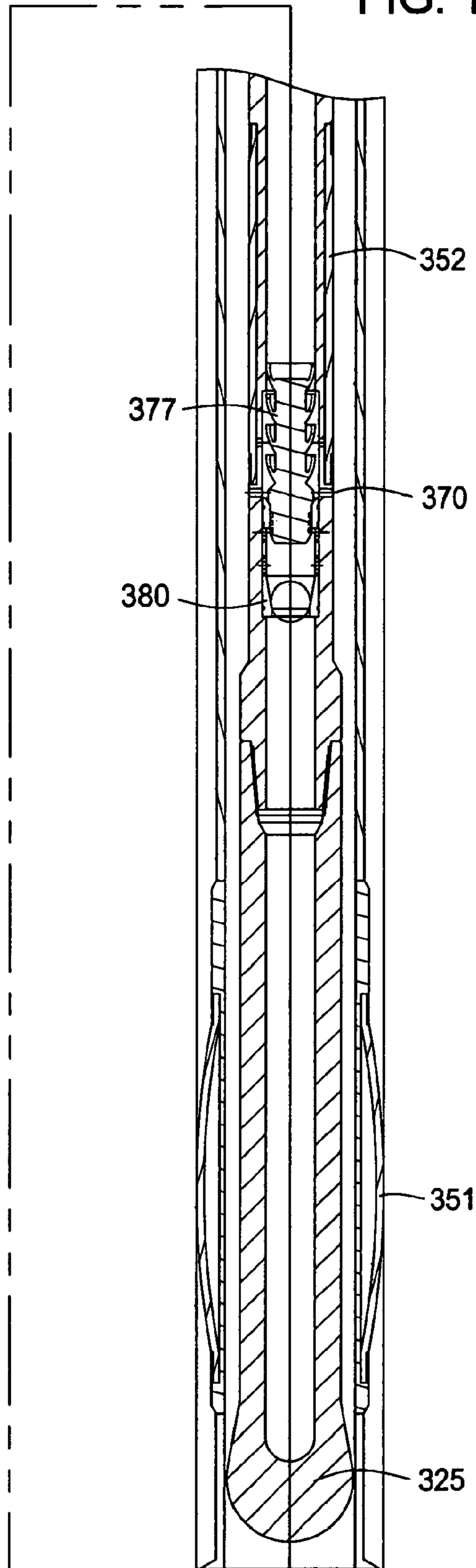


FIG. 18



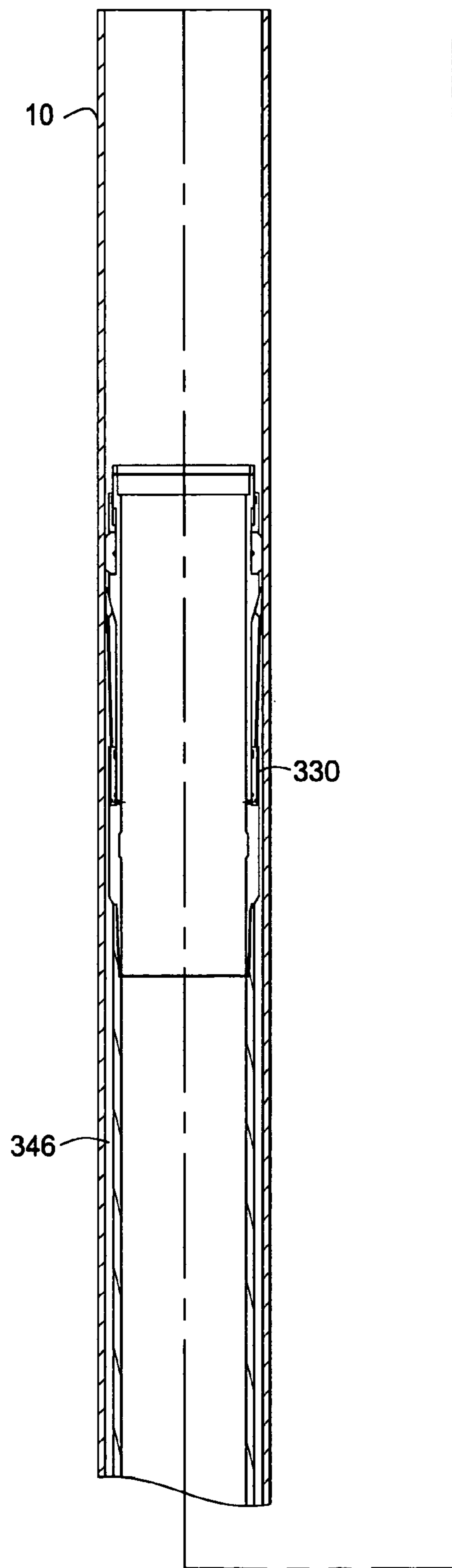
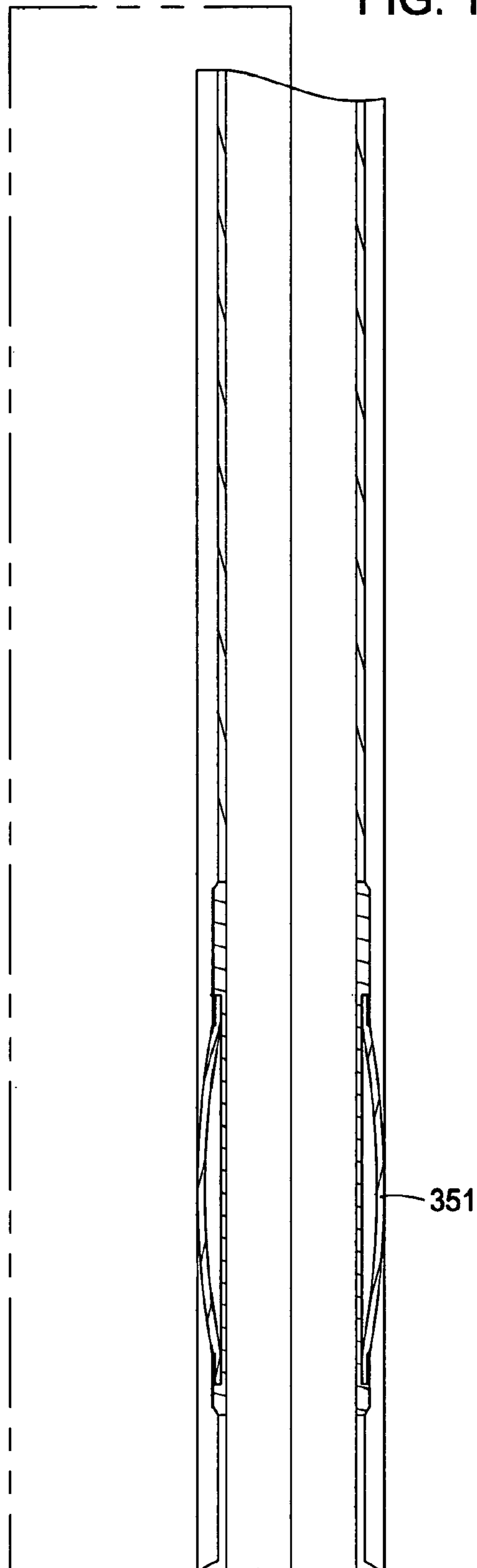


FIG. 19



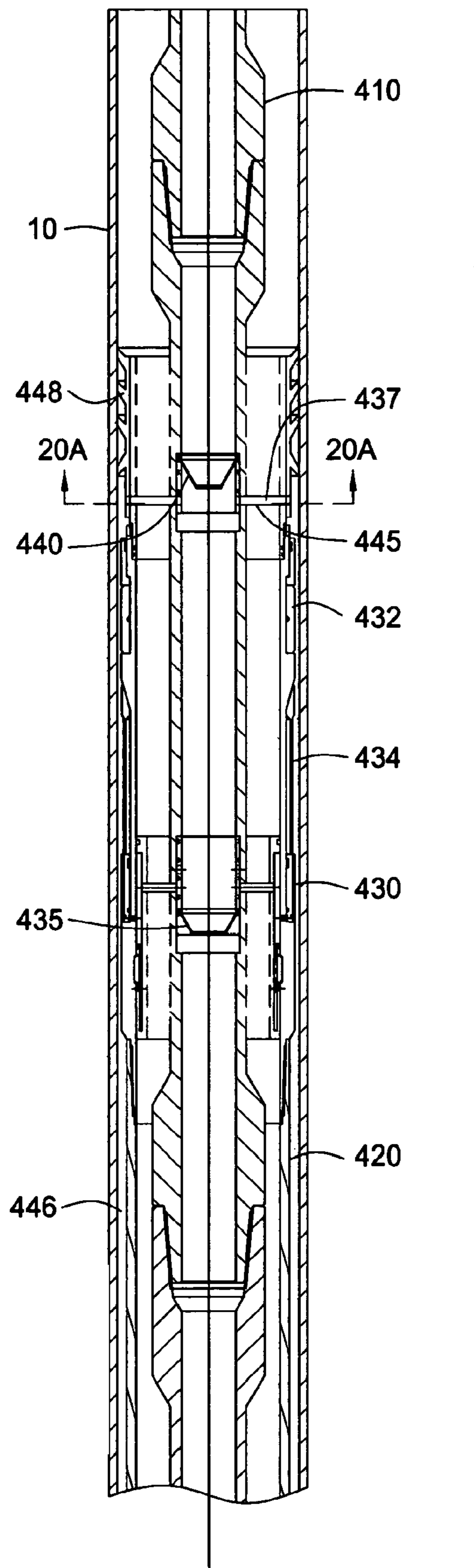
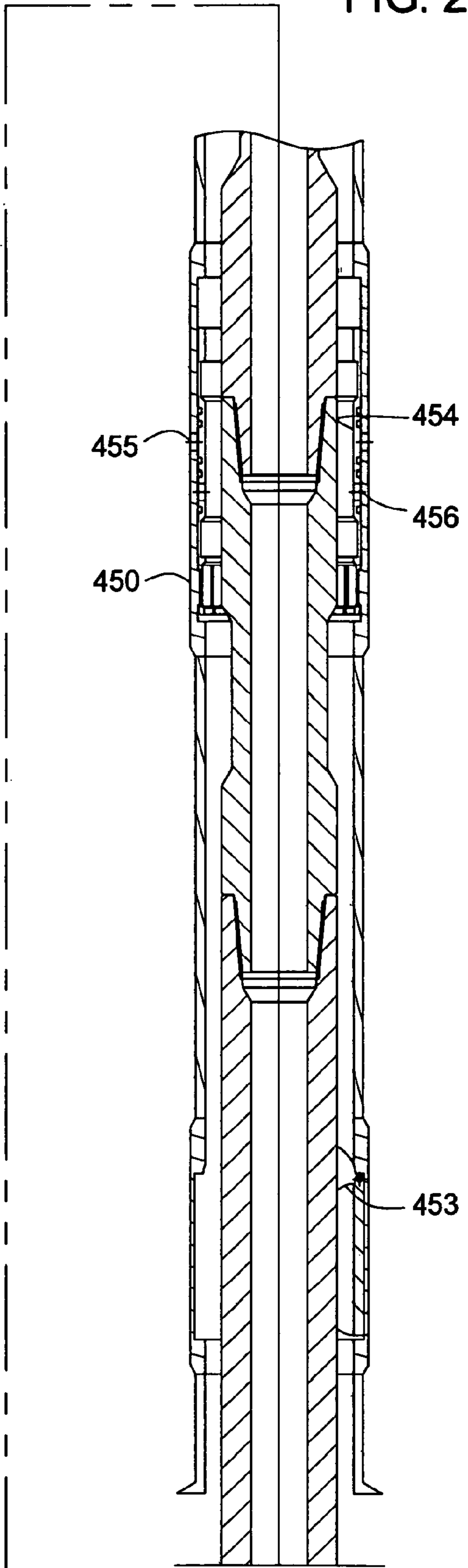


FIG. 20



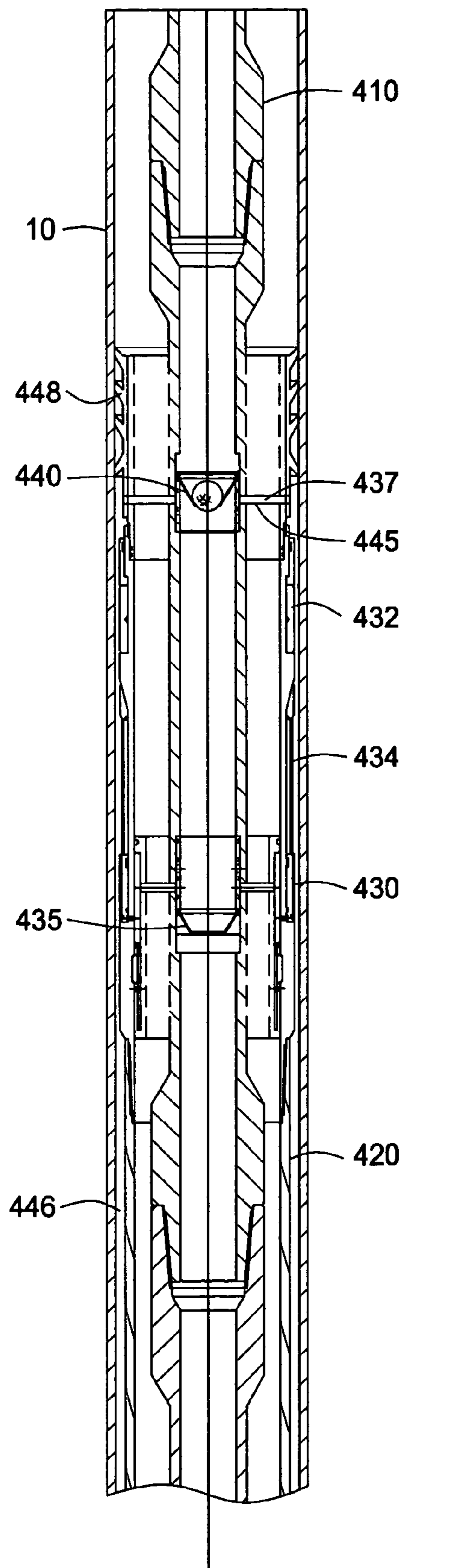
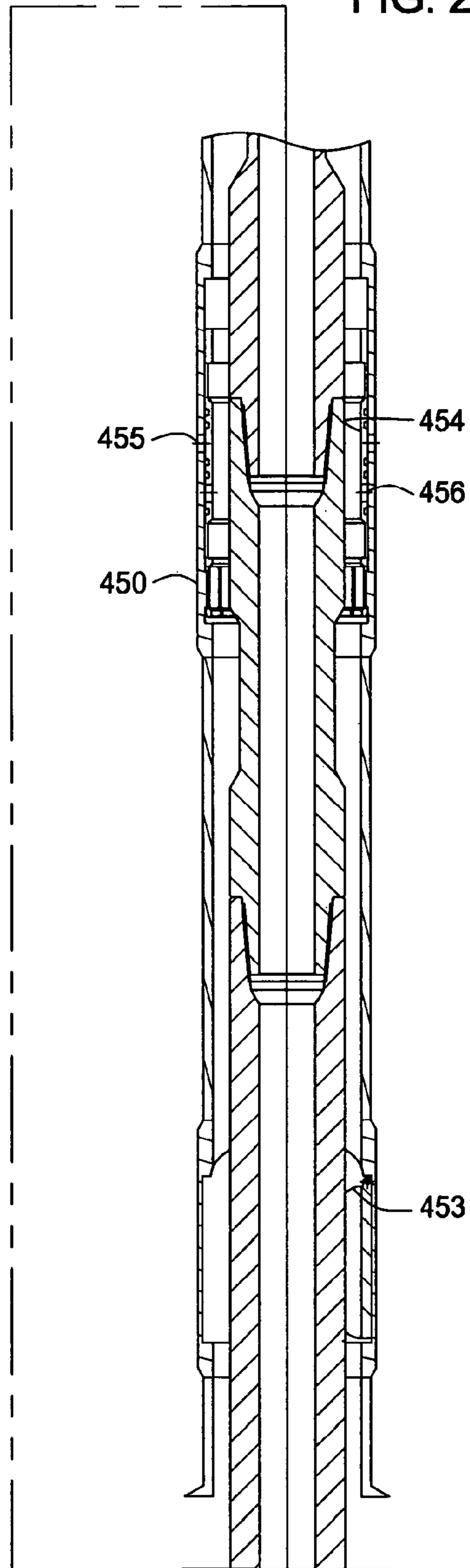


FIG. 21



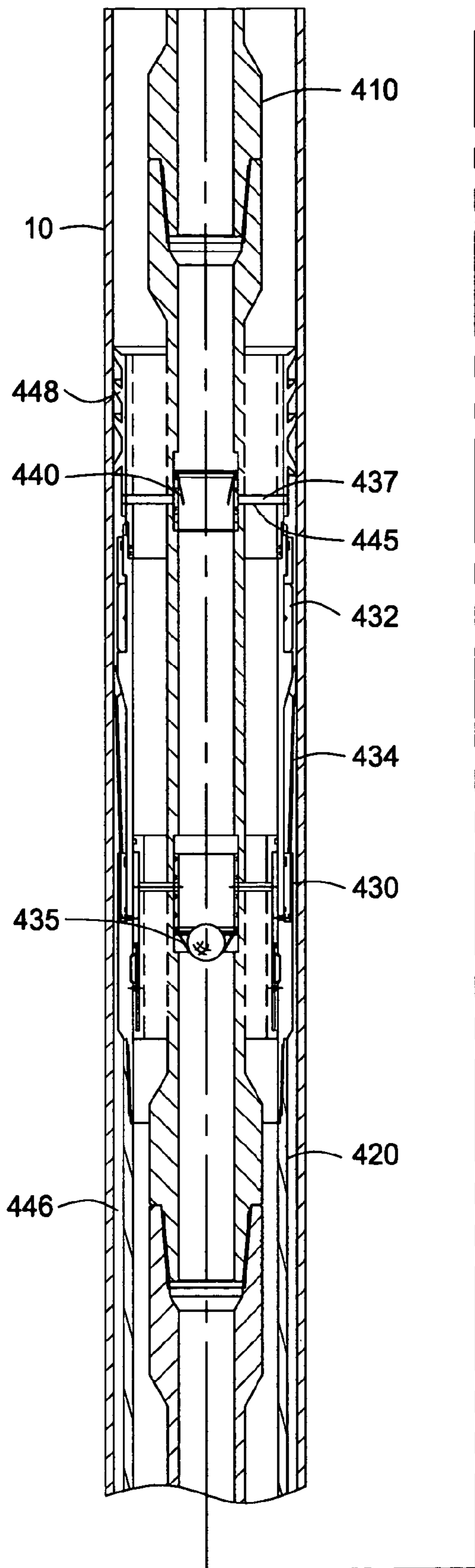
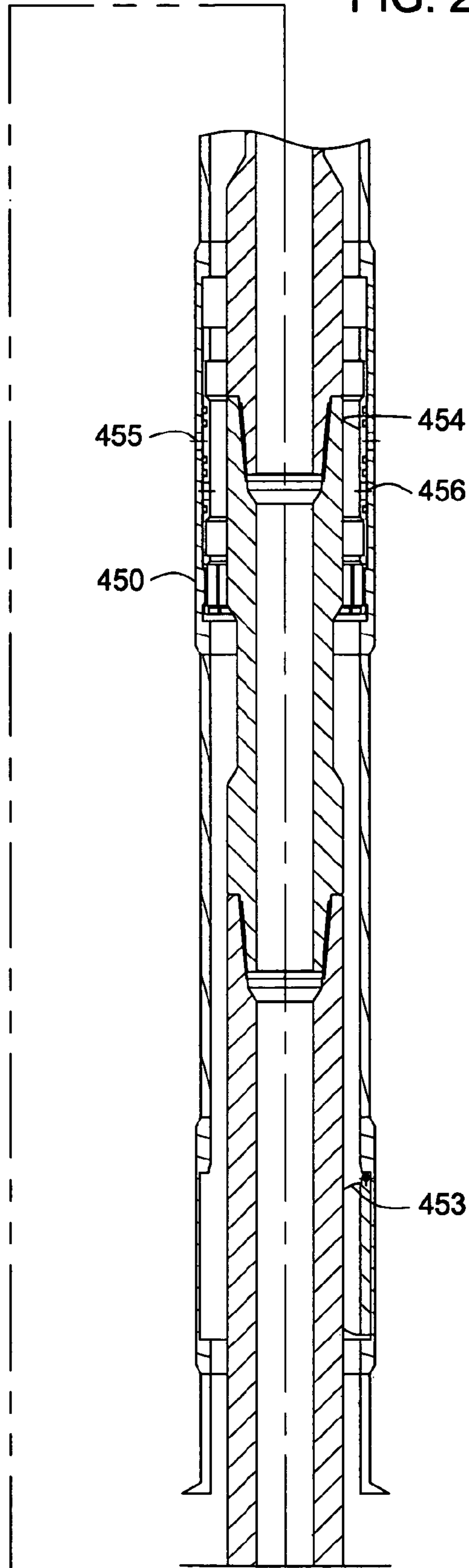


FIG. 22



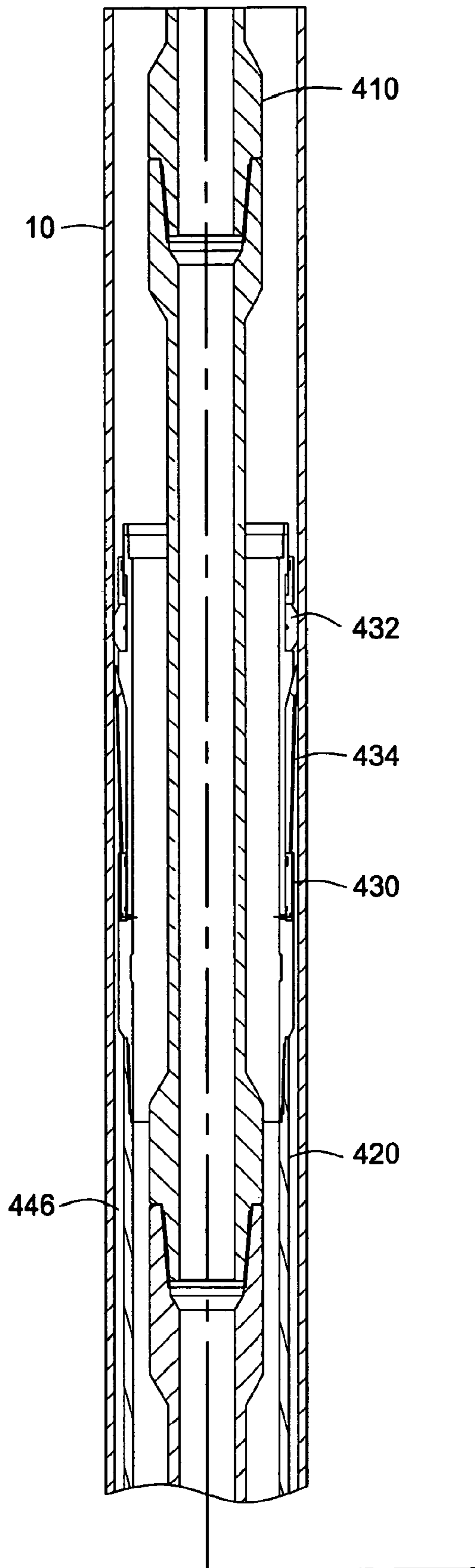
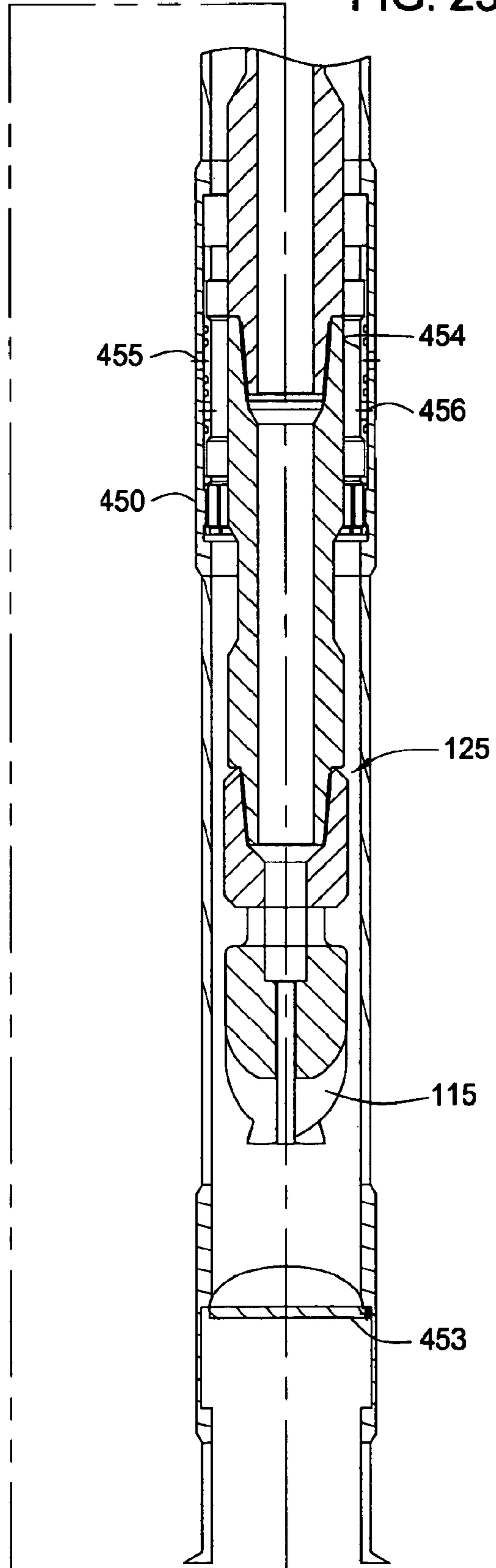


FIG. 23



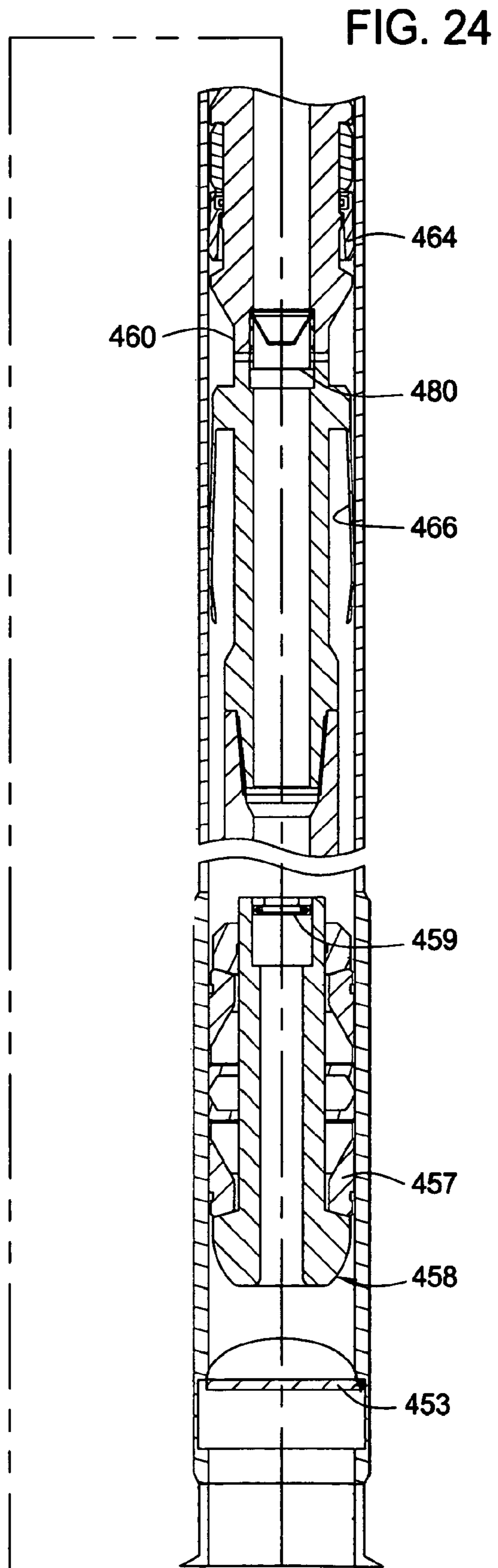
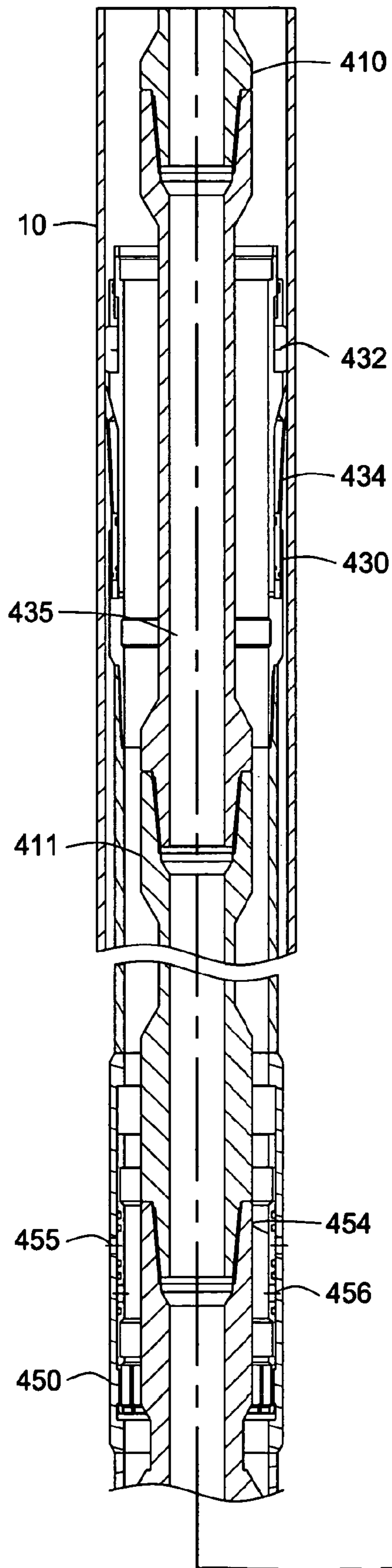


FIG. 25

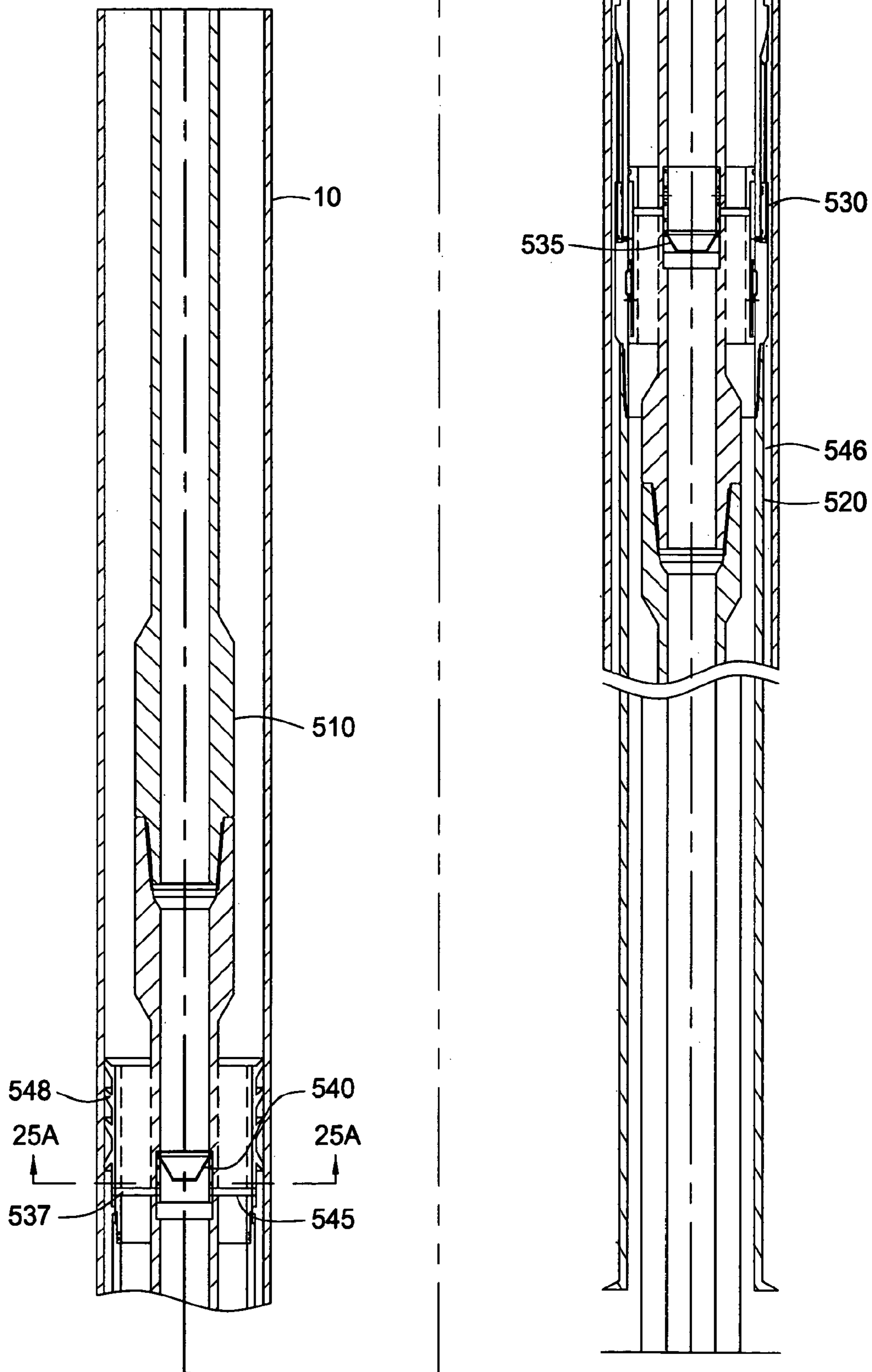


FIG. 26

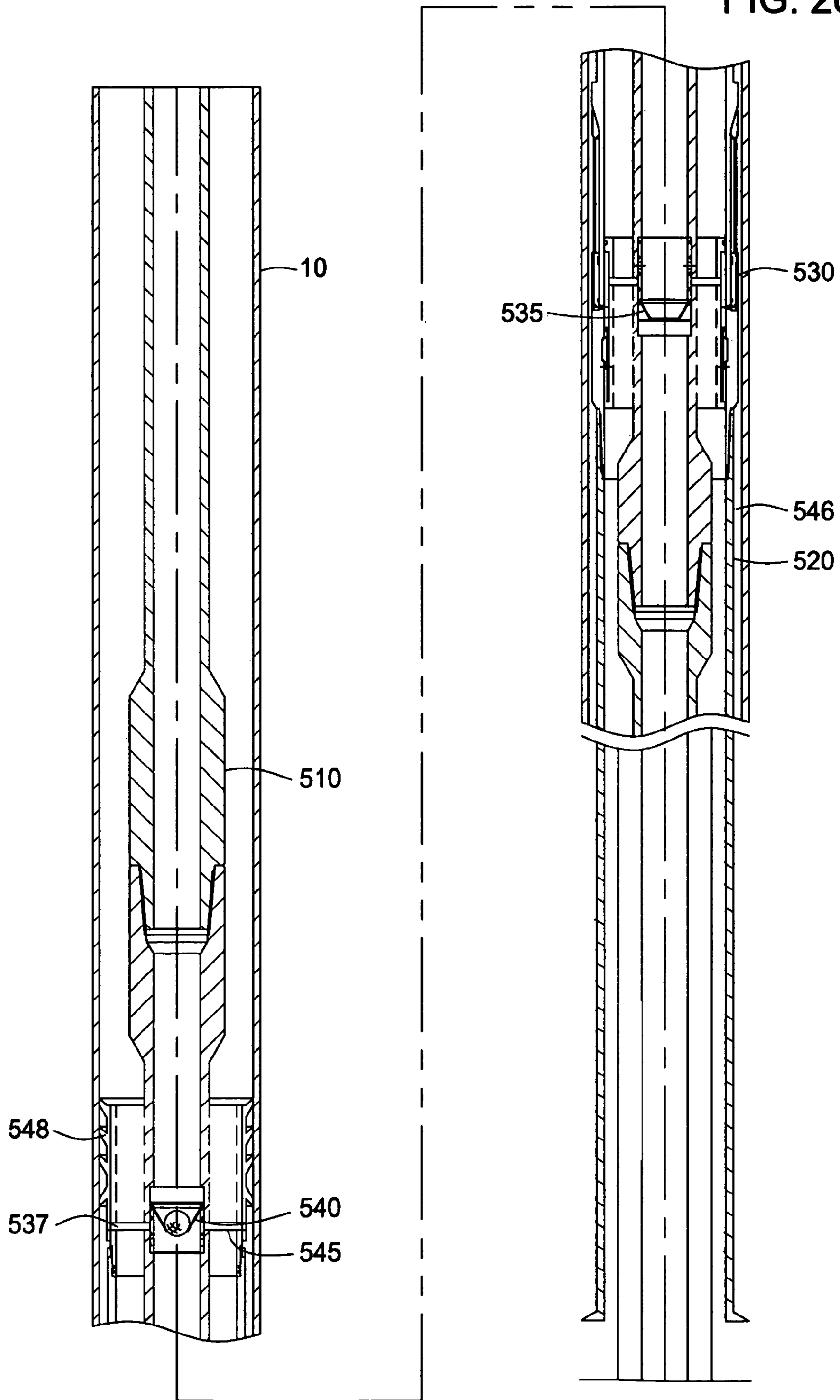


FIG. 27

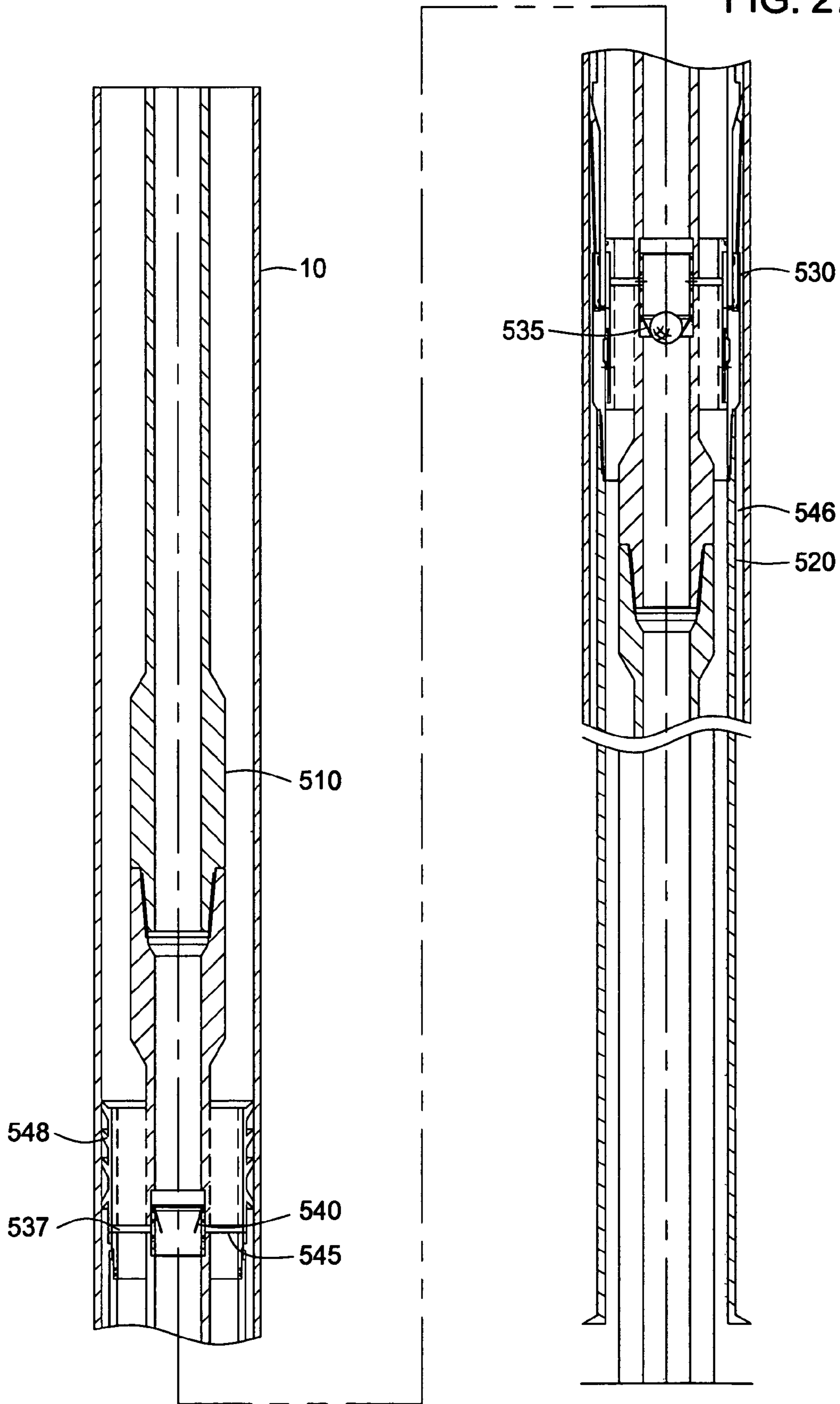


FIG. 28

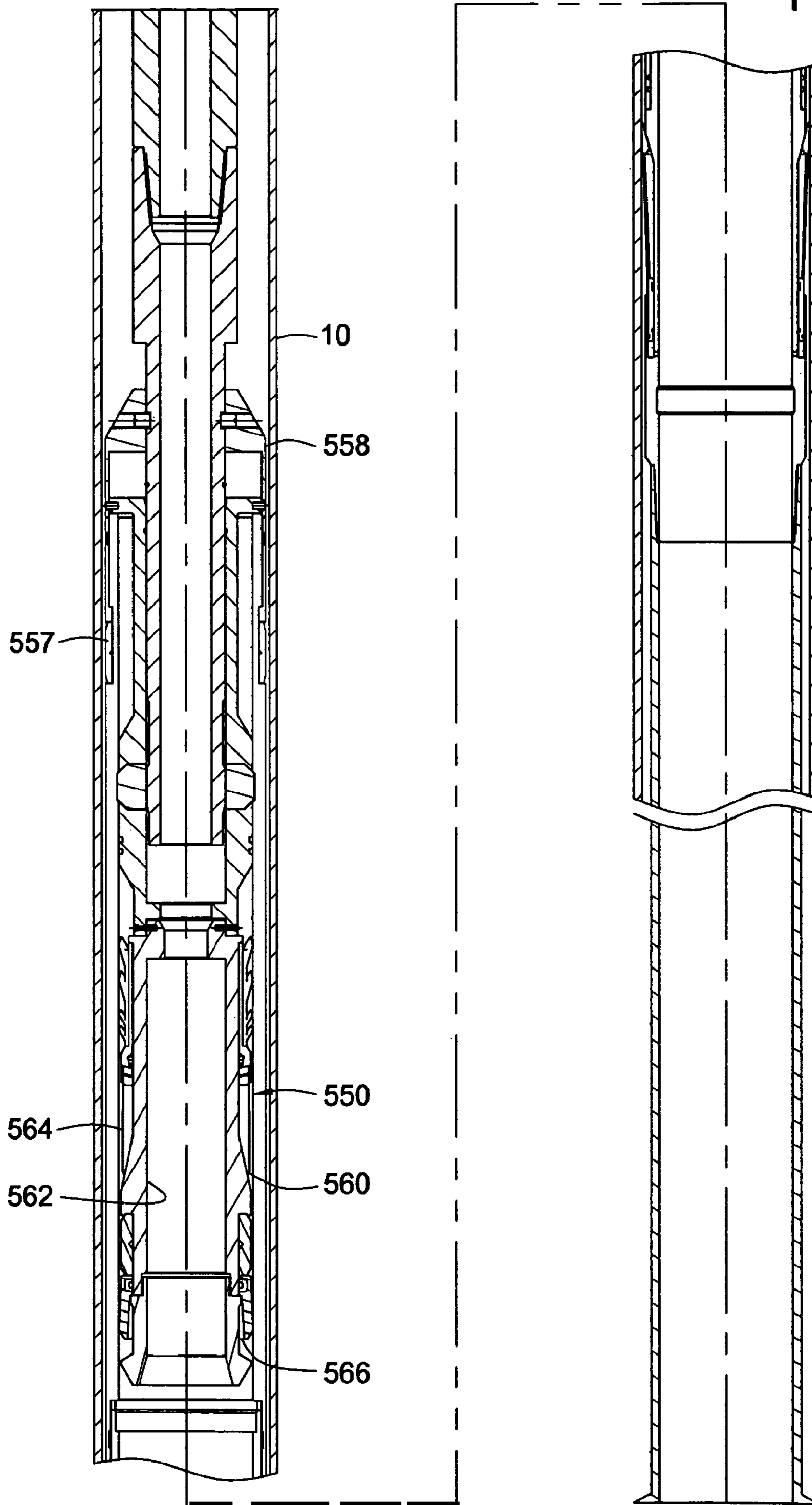
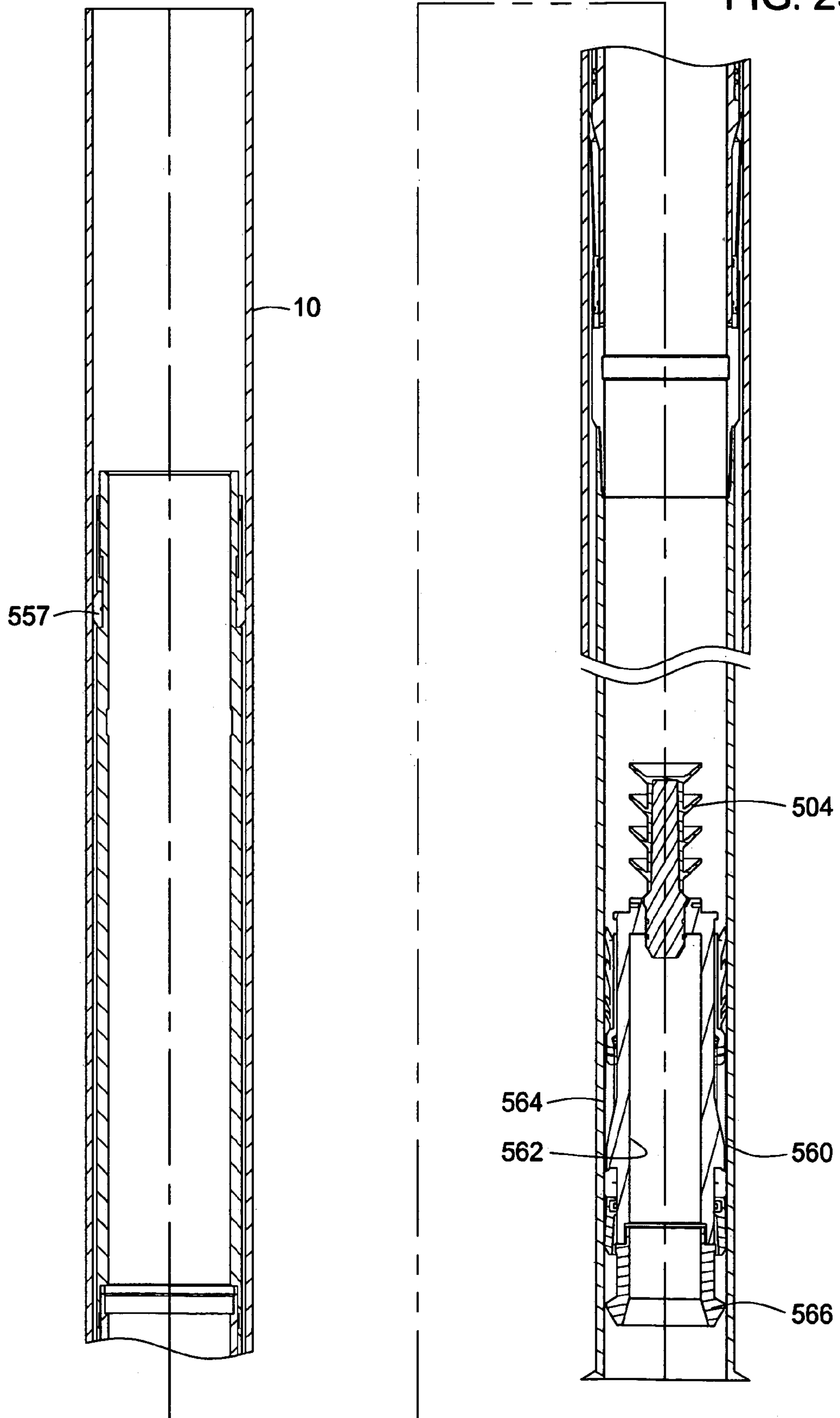


FIG. 29



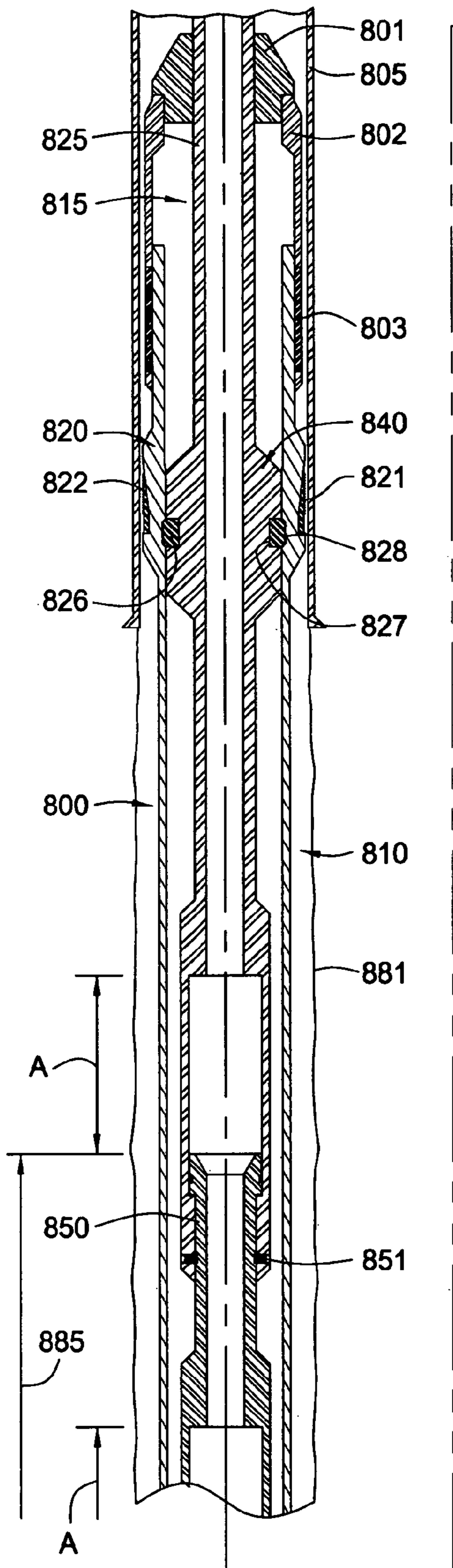
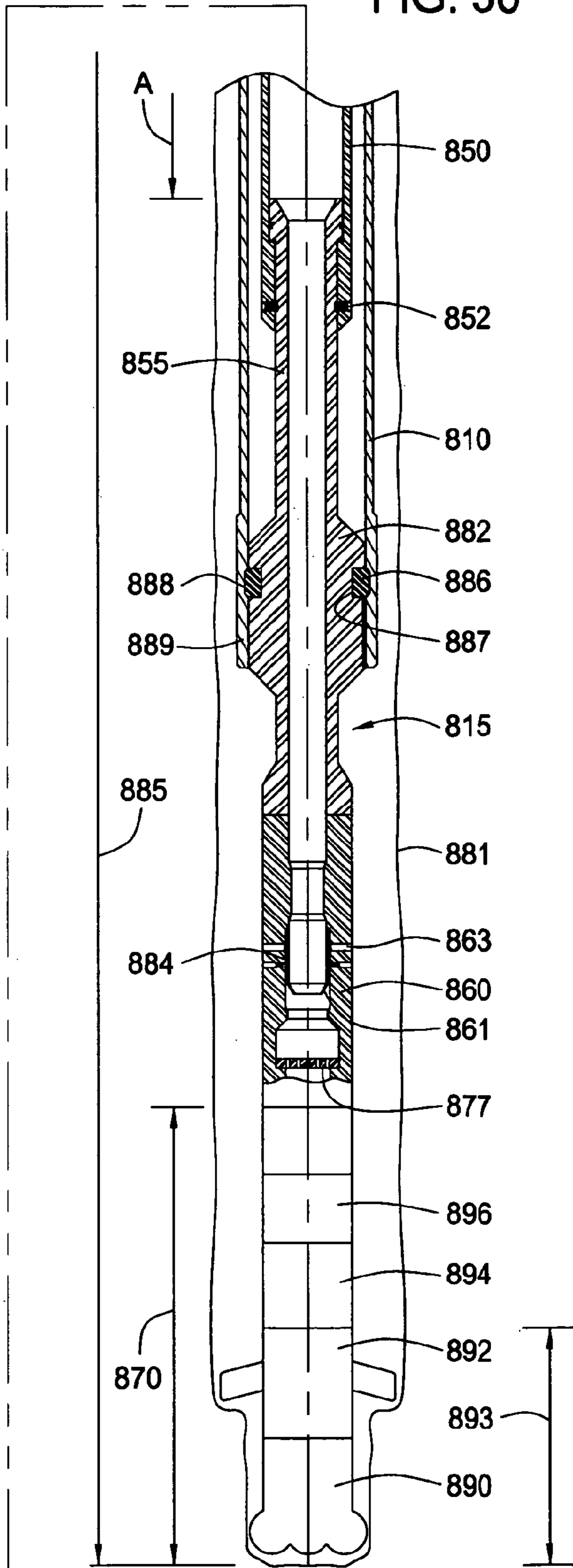


FIG. 30



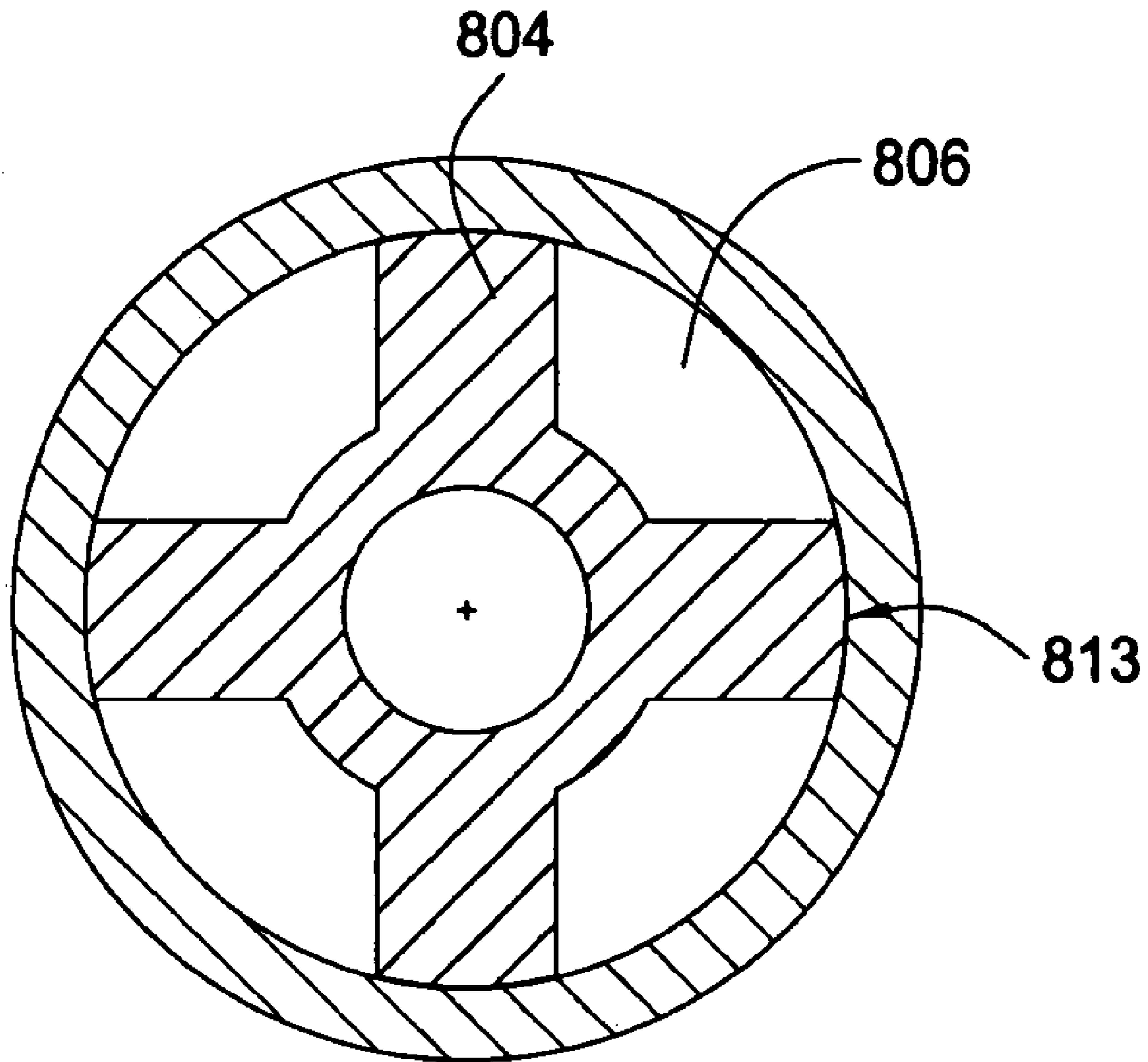


FIG. 30A

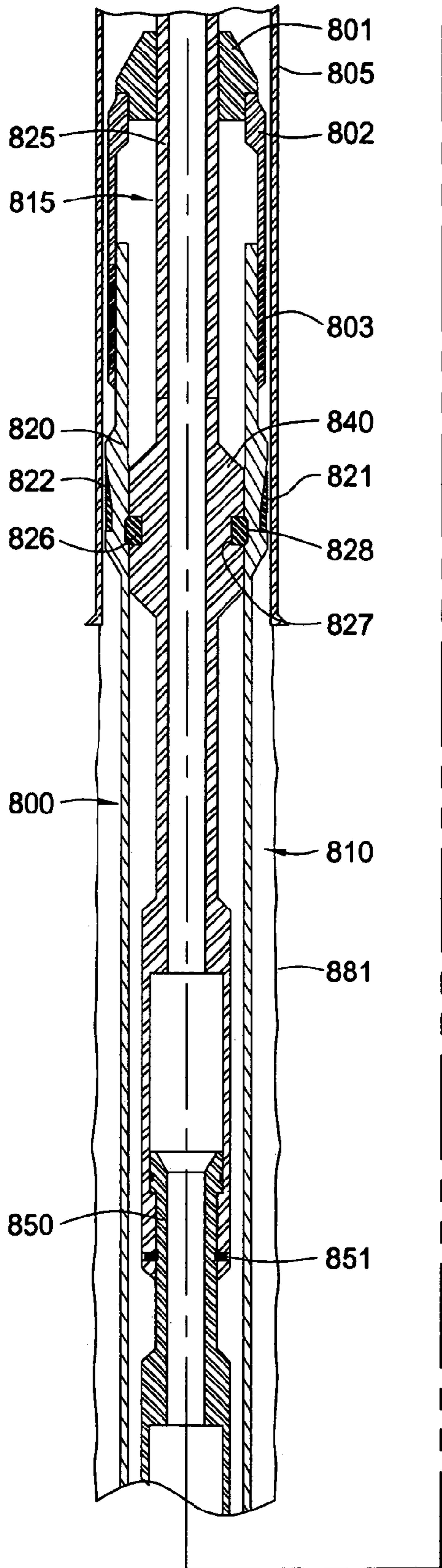
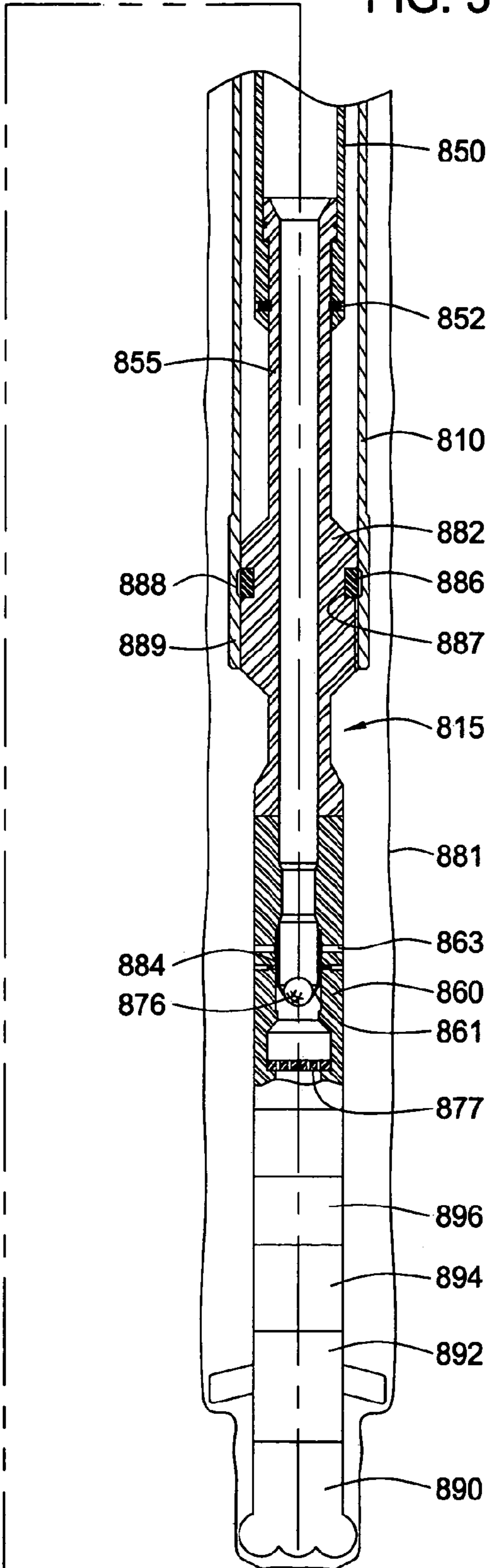


FIG. 31



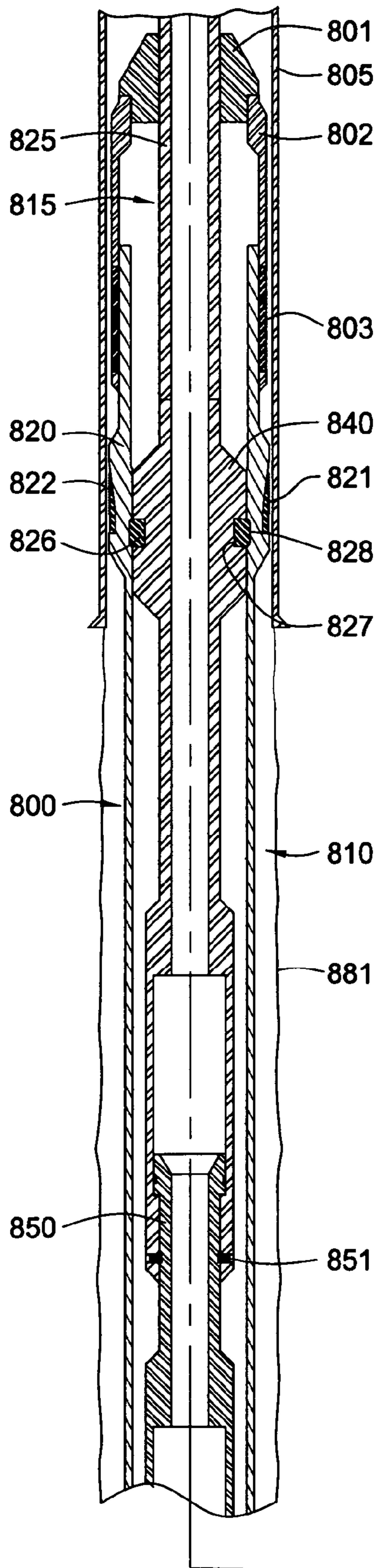
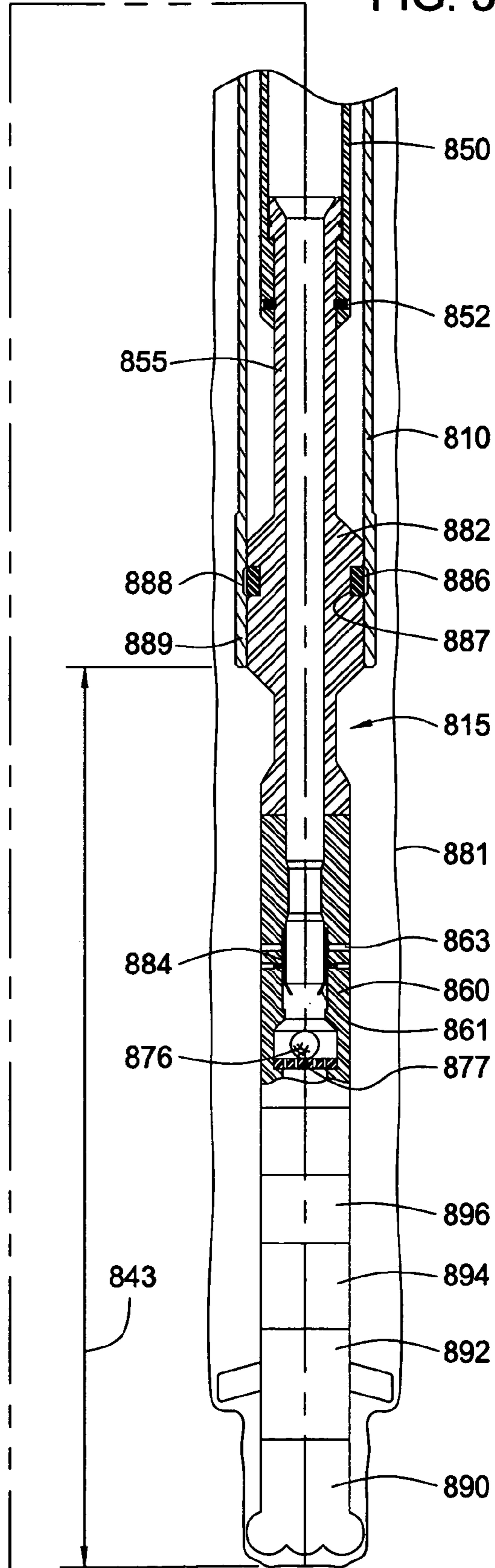


FIG. 32



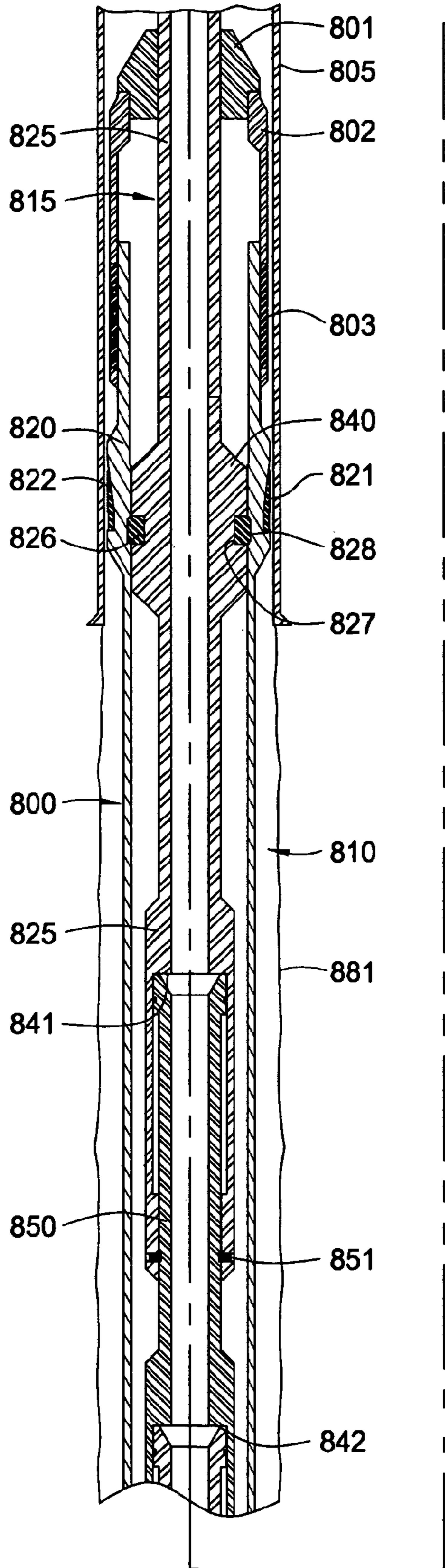
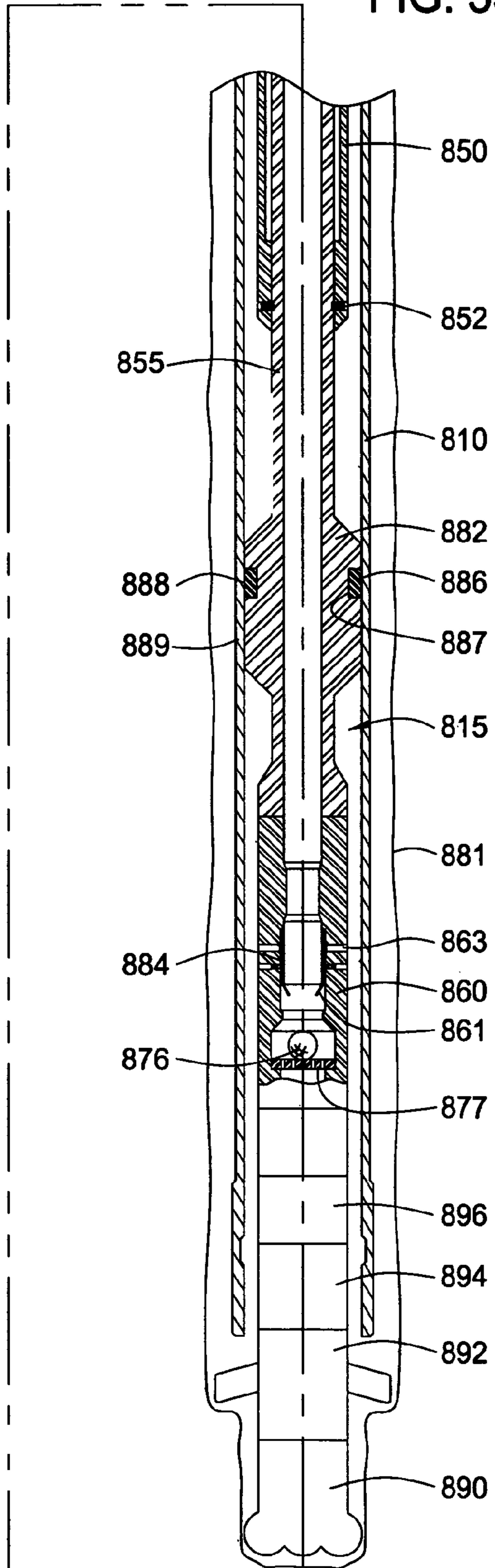


FIG. 33



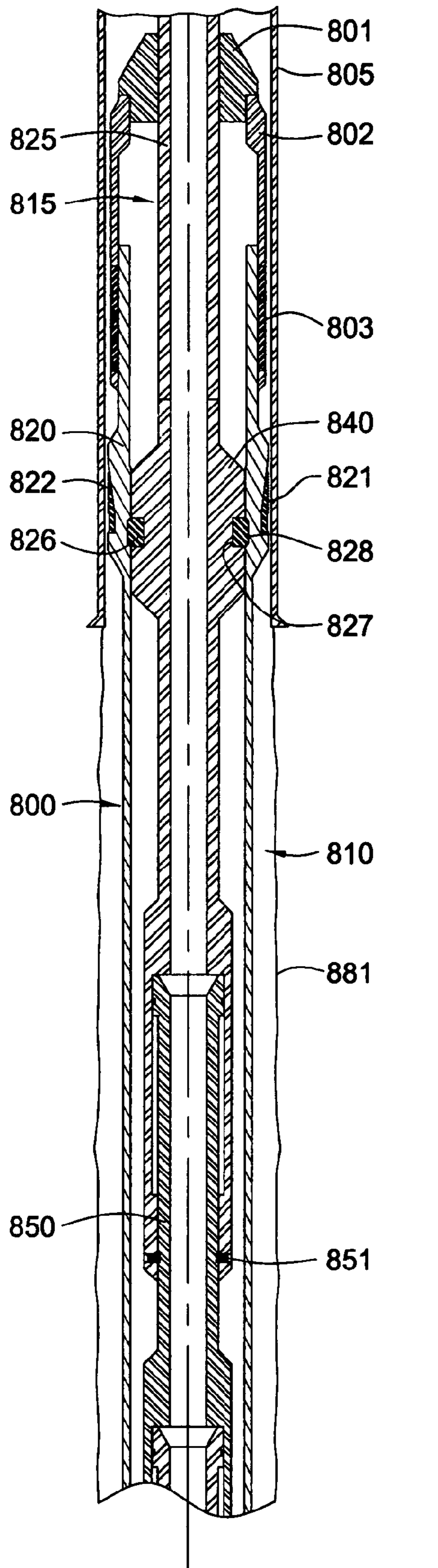


FIG. 34

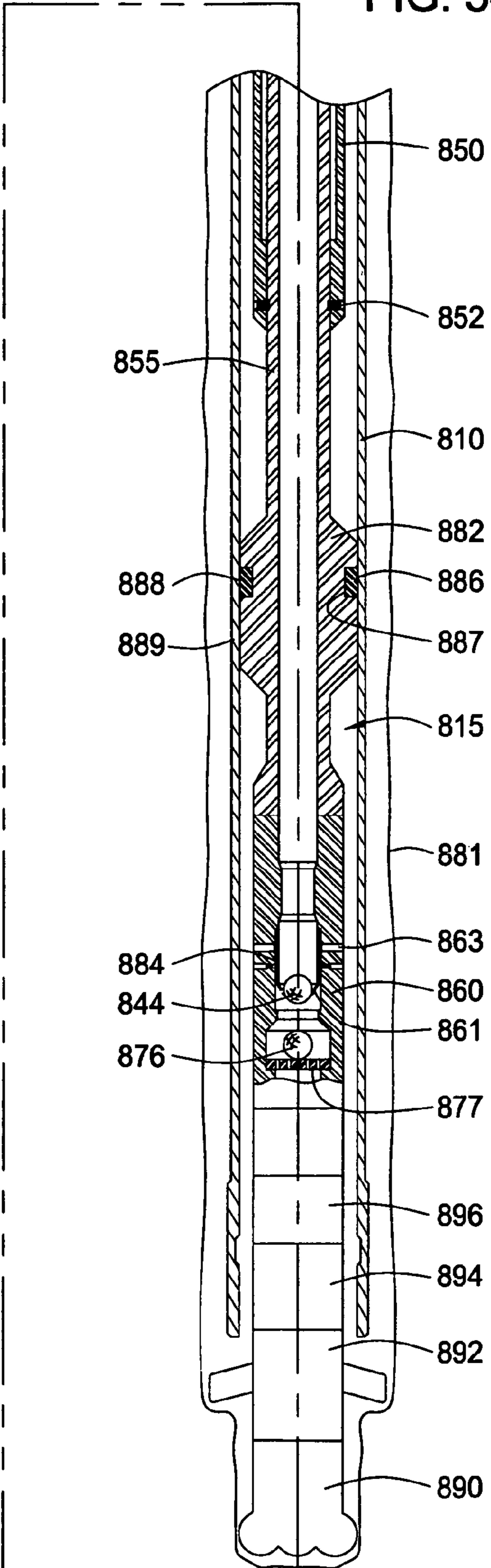


FIG. 35

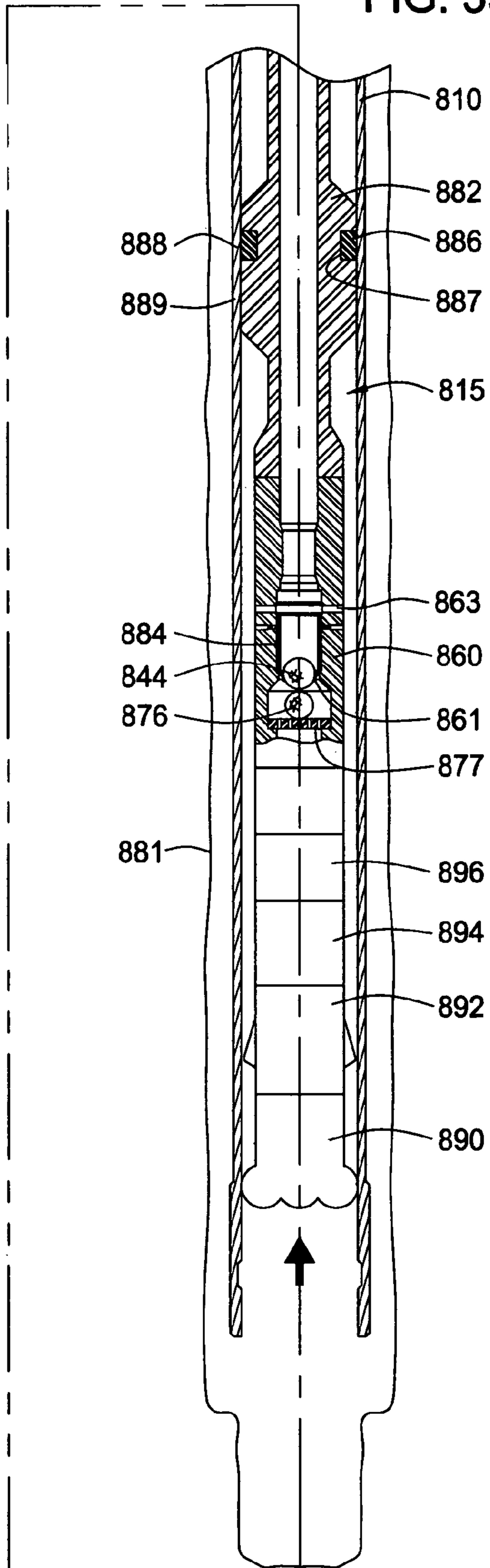
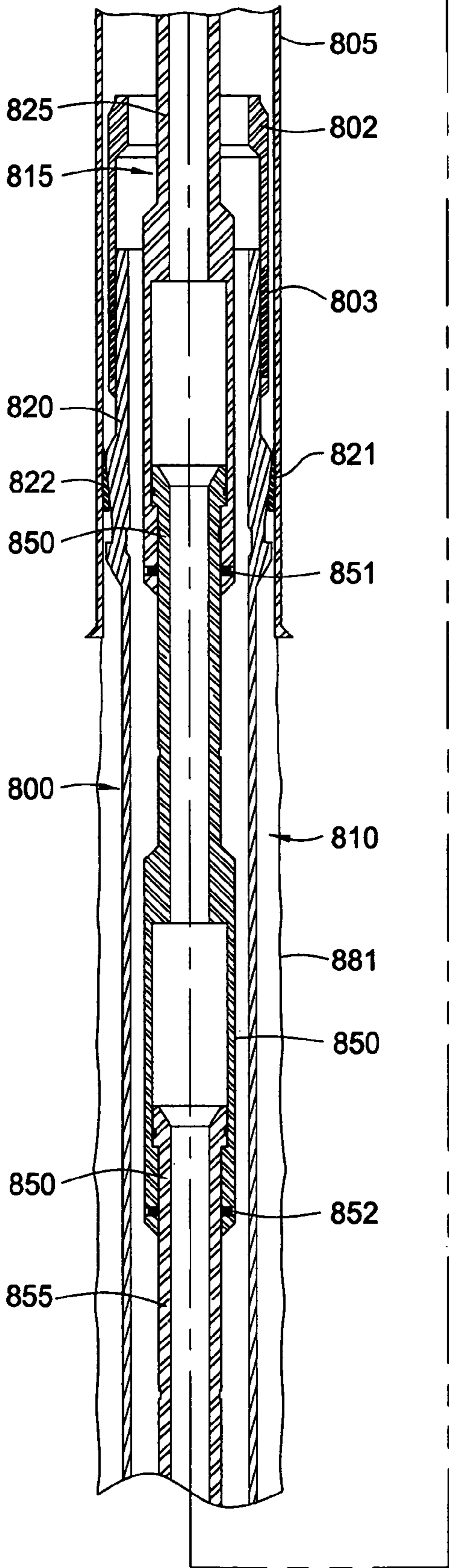
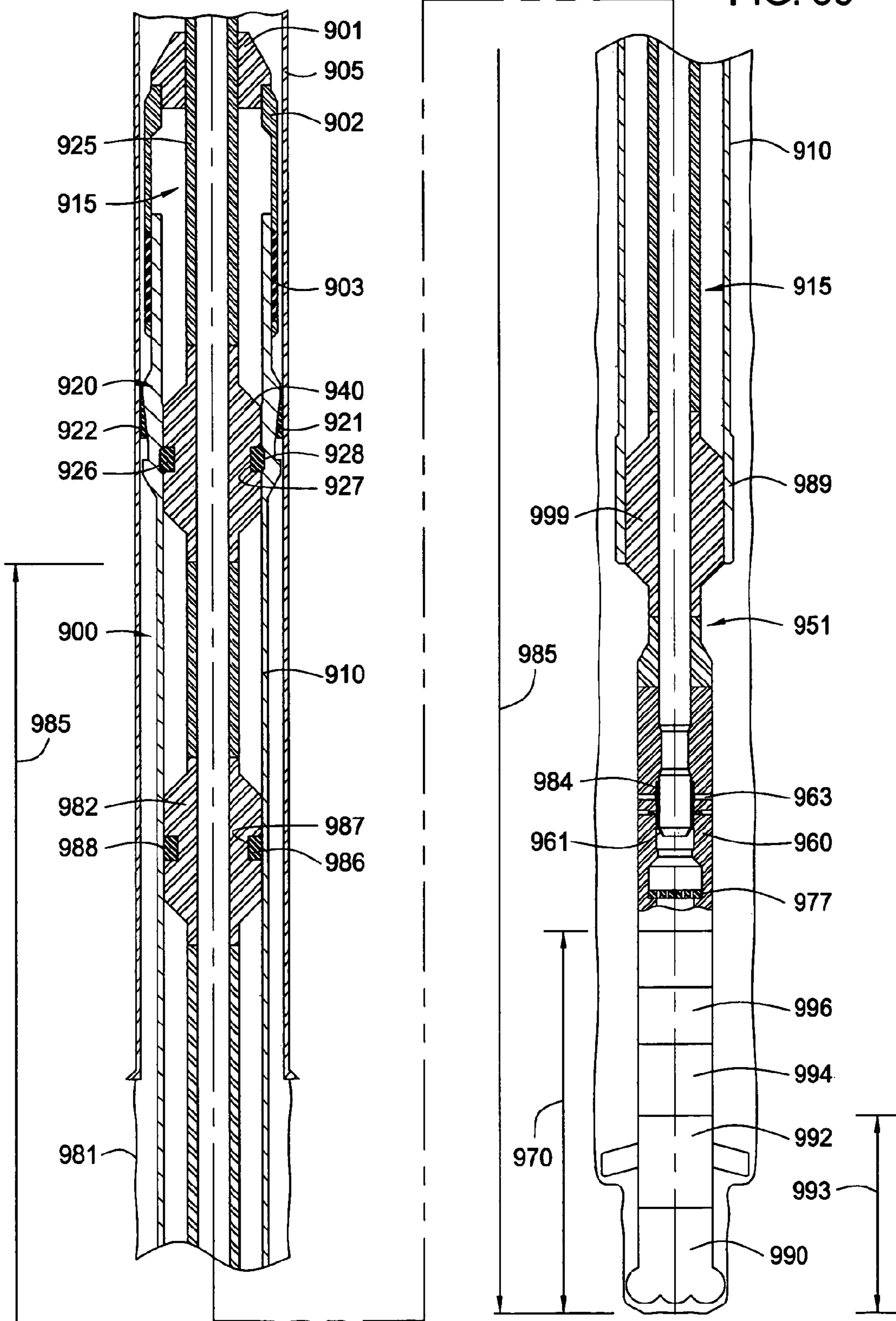


FIG. 36



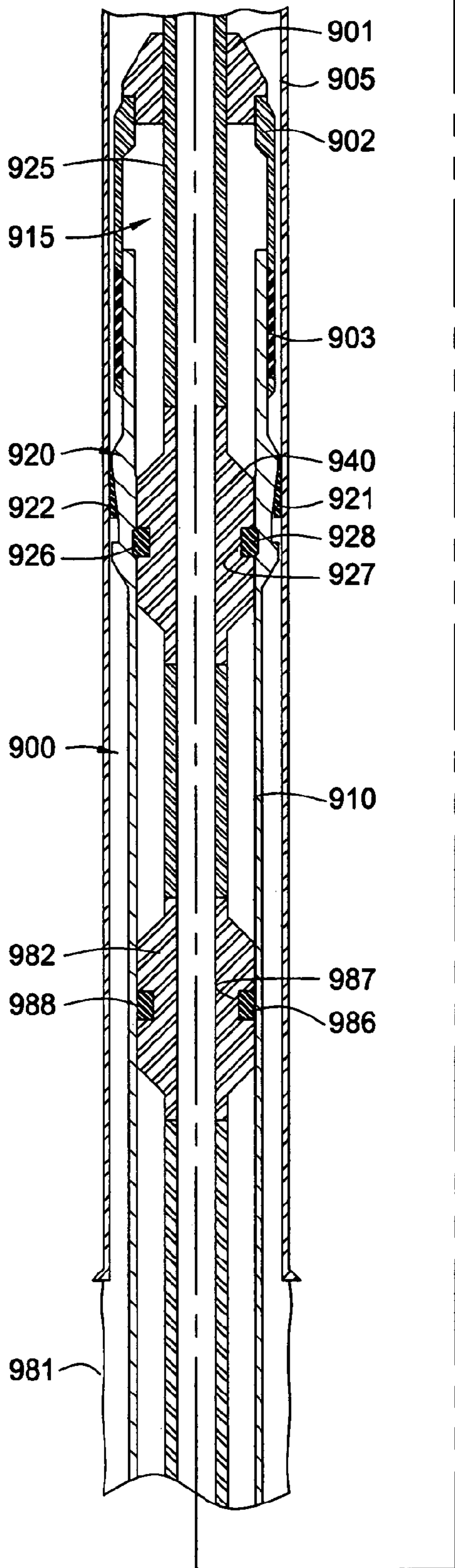


FIG. 37

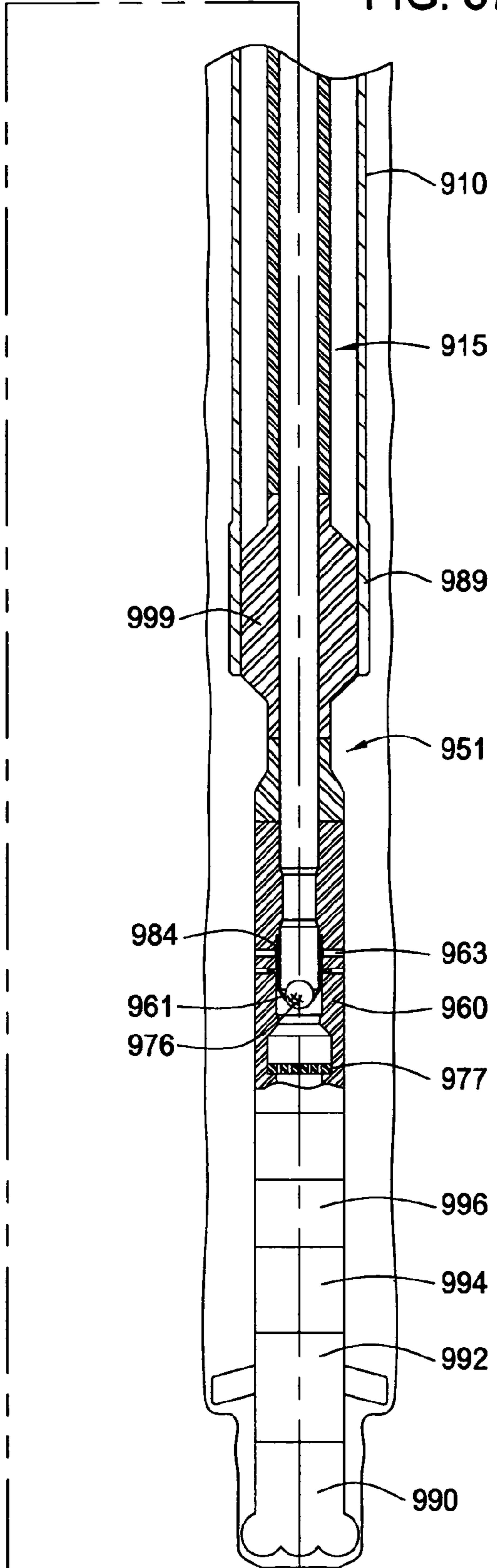


FIG. 38

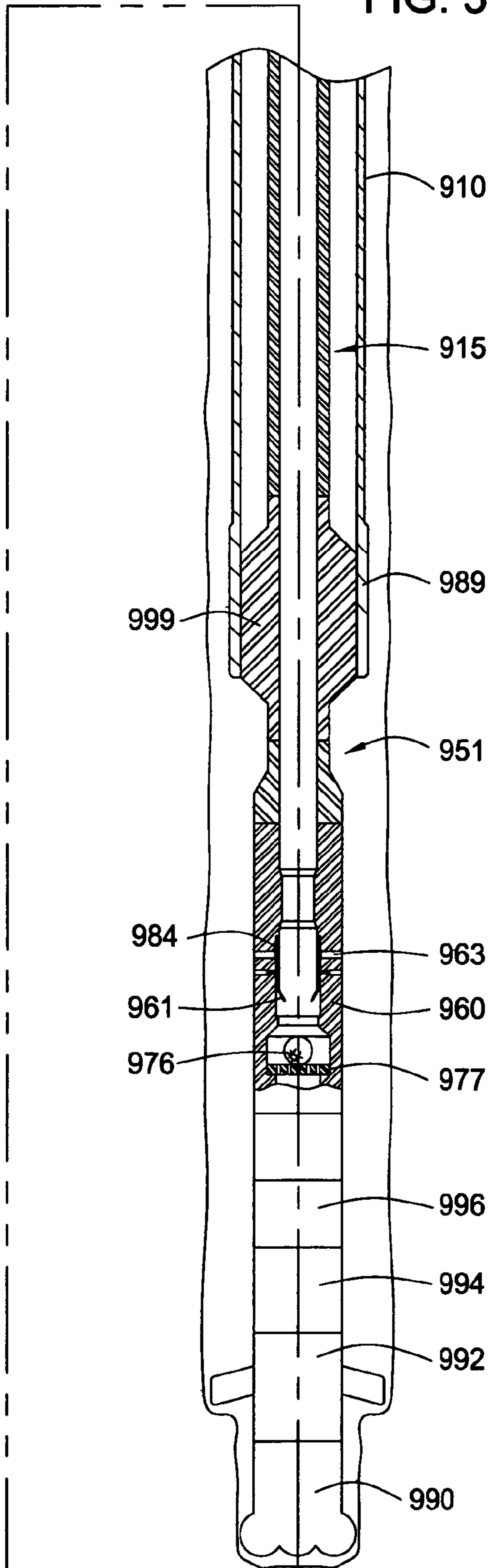
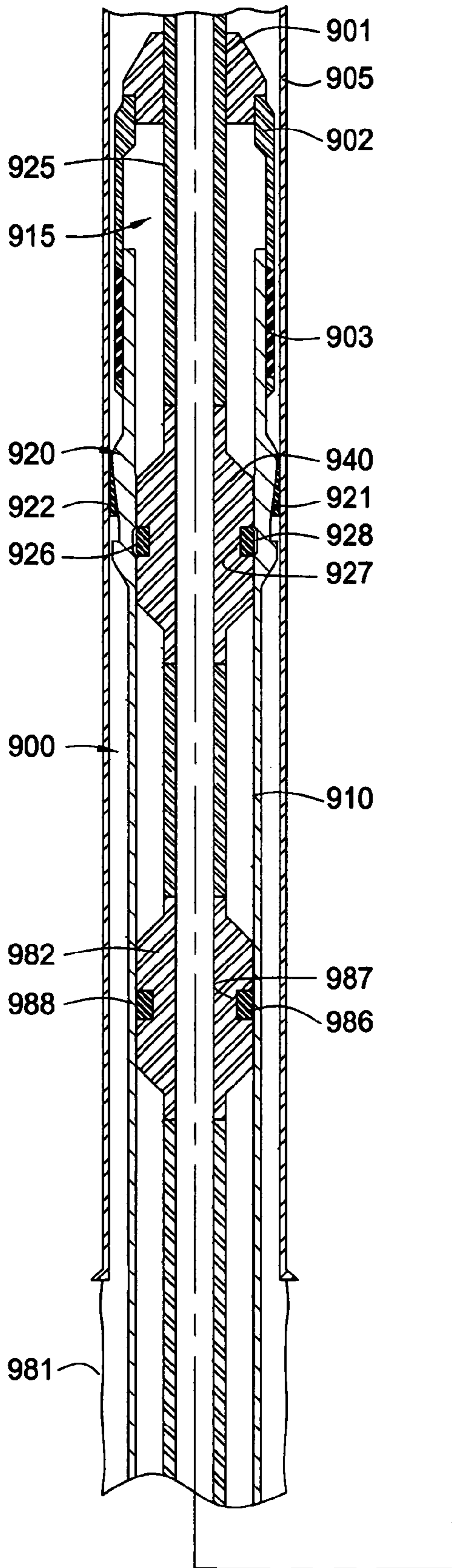


FIG. 39

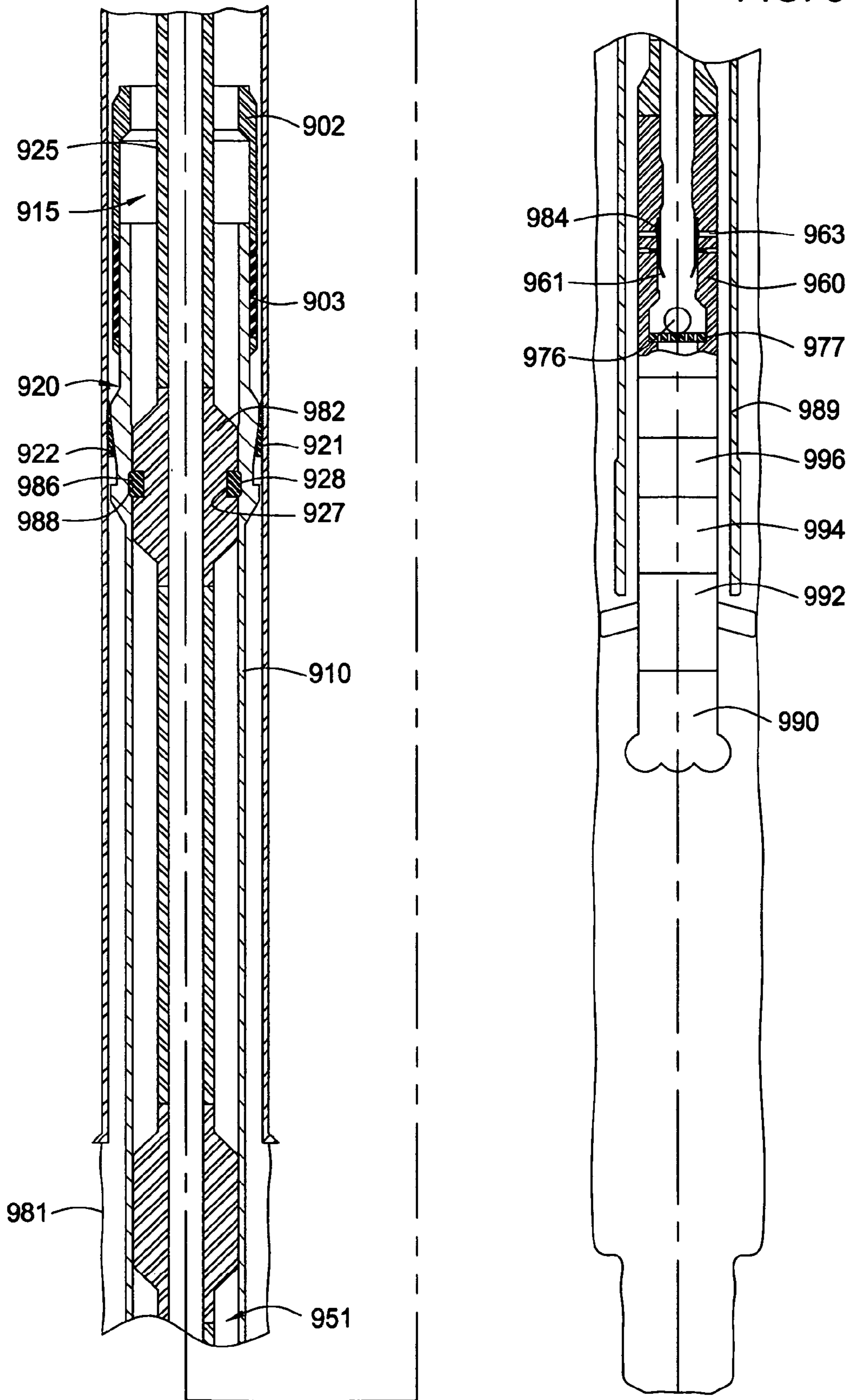


FIG. 40

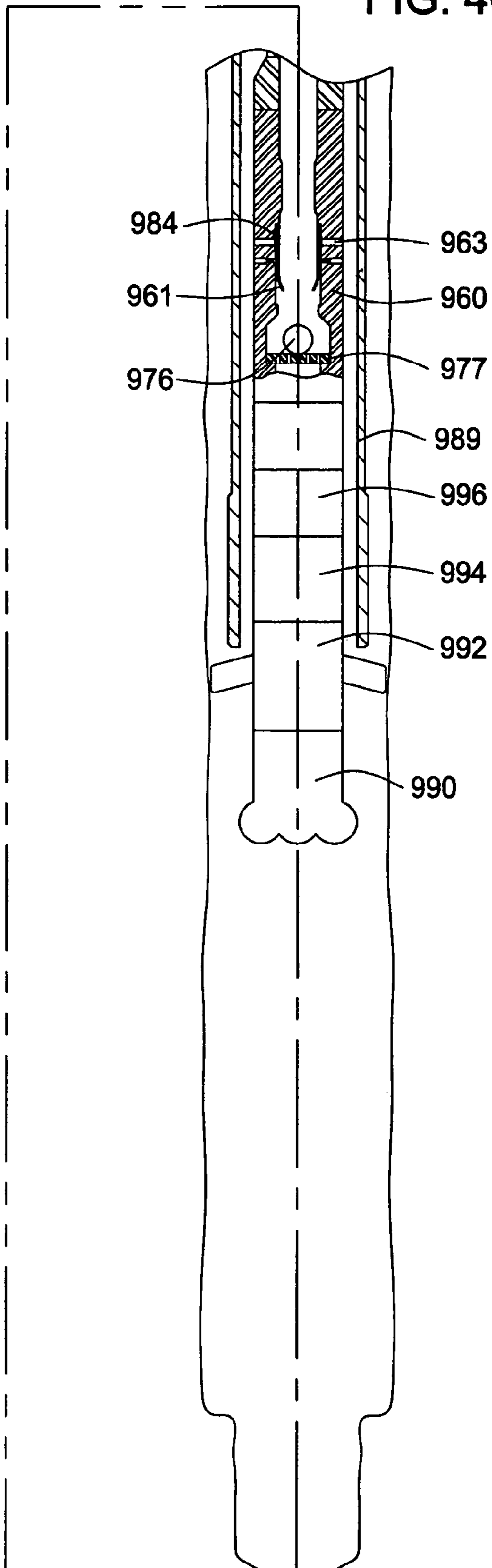
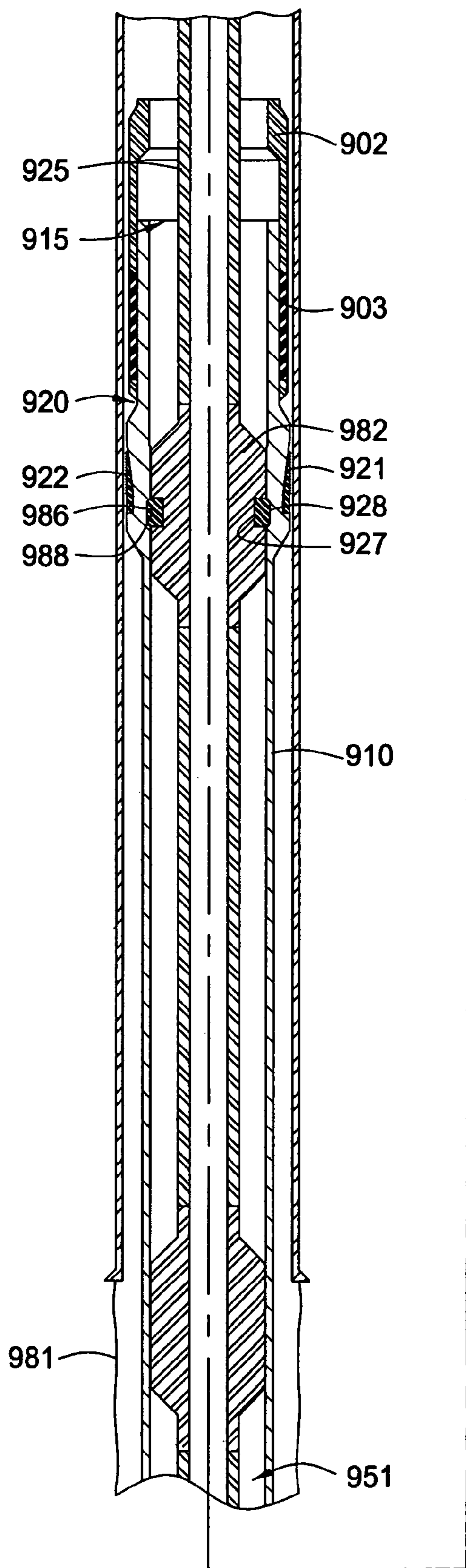


FIG. 41

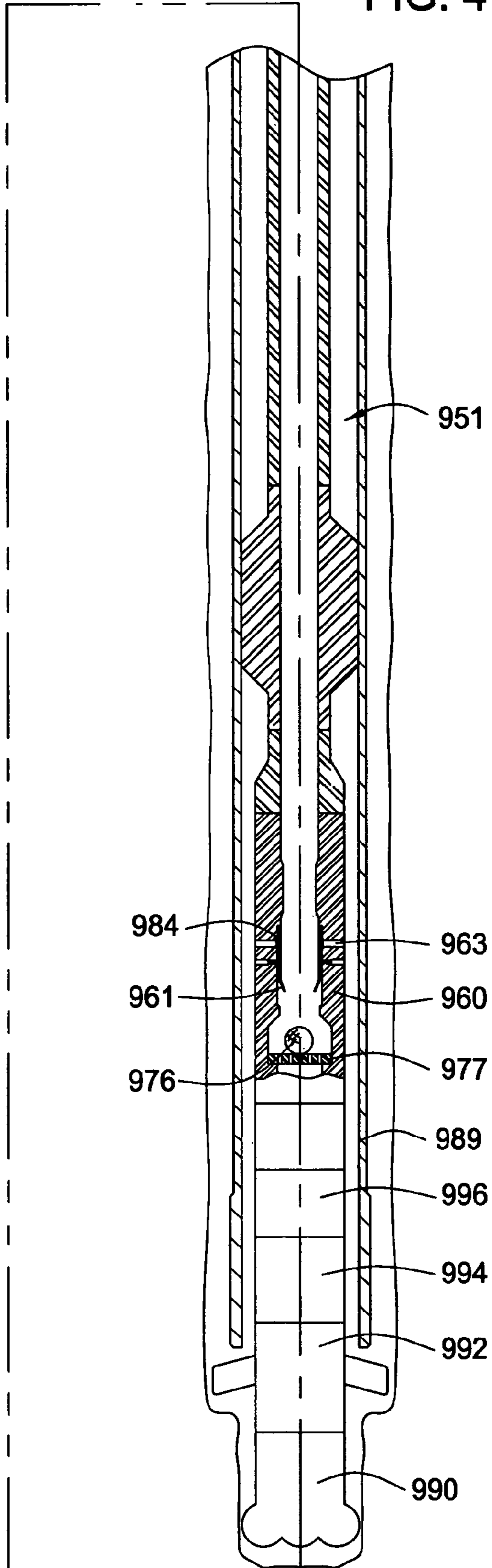
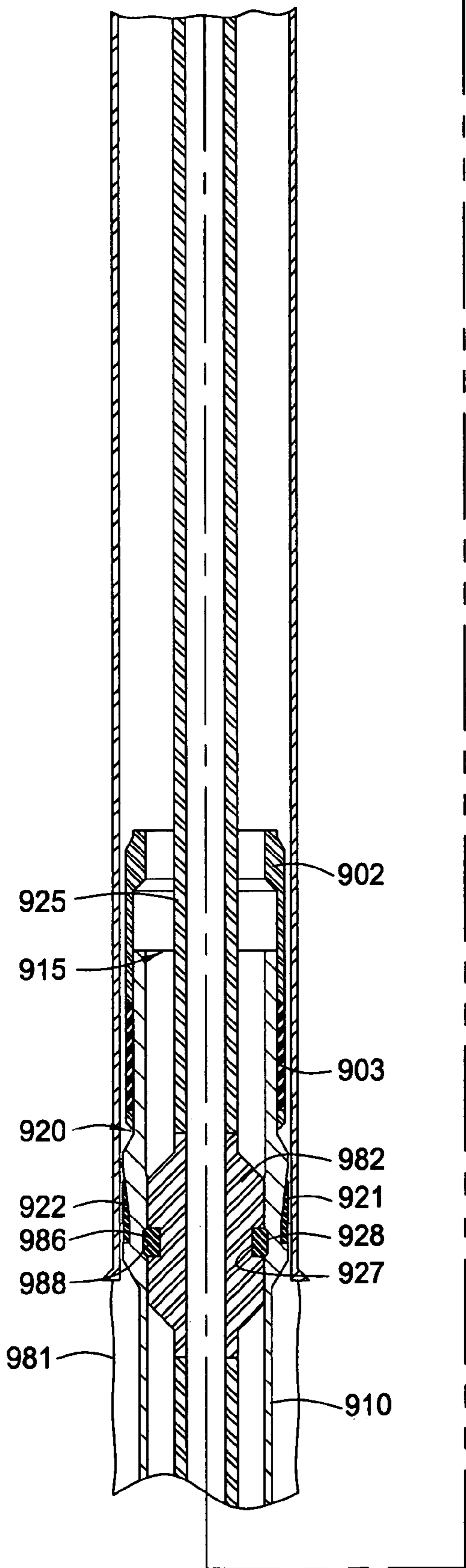


FIG. 42

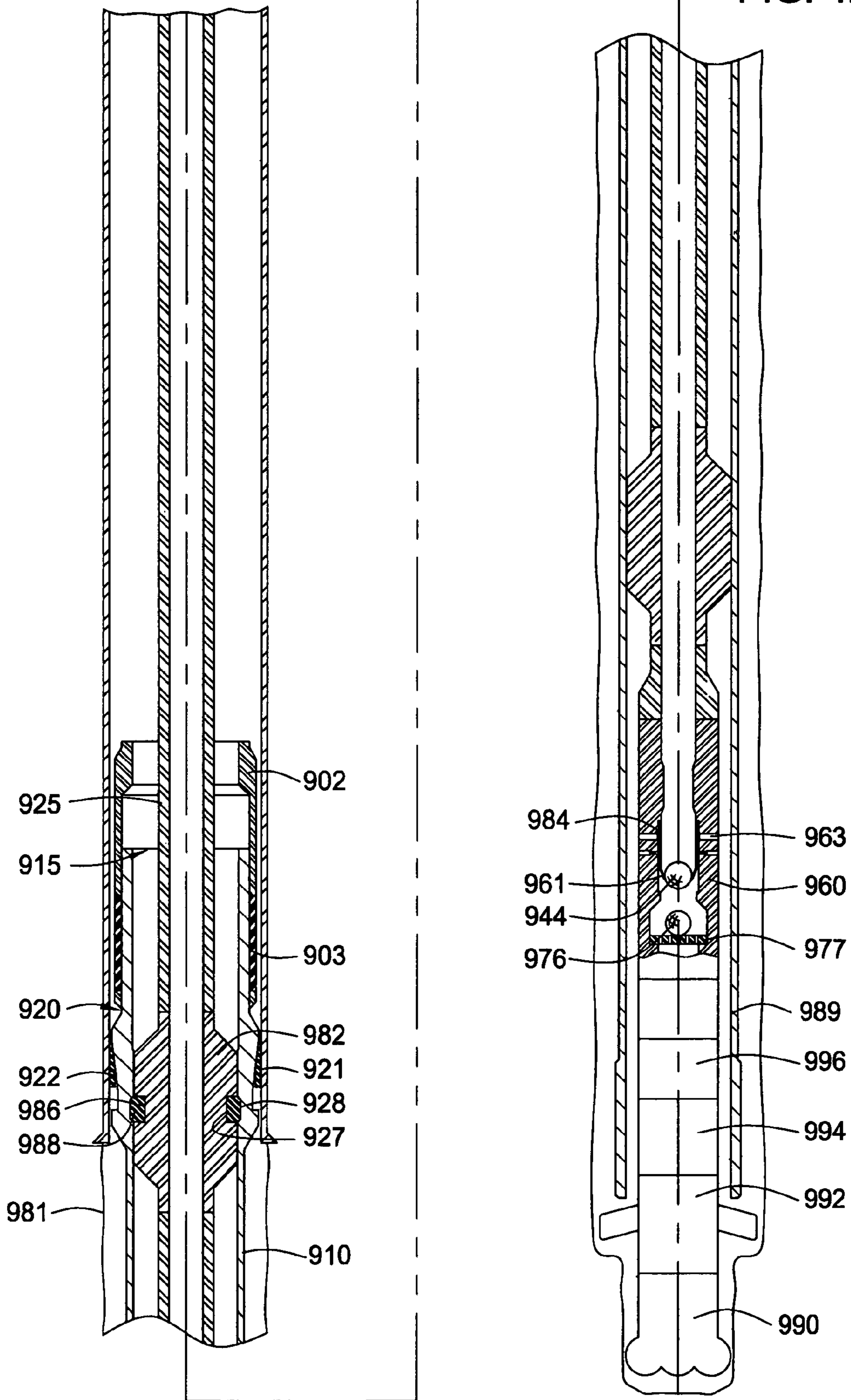


FIG. 43

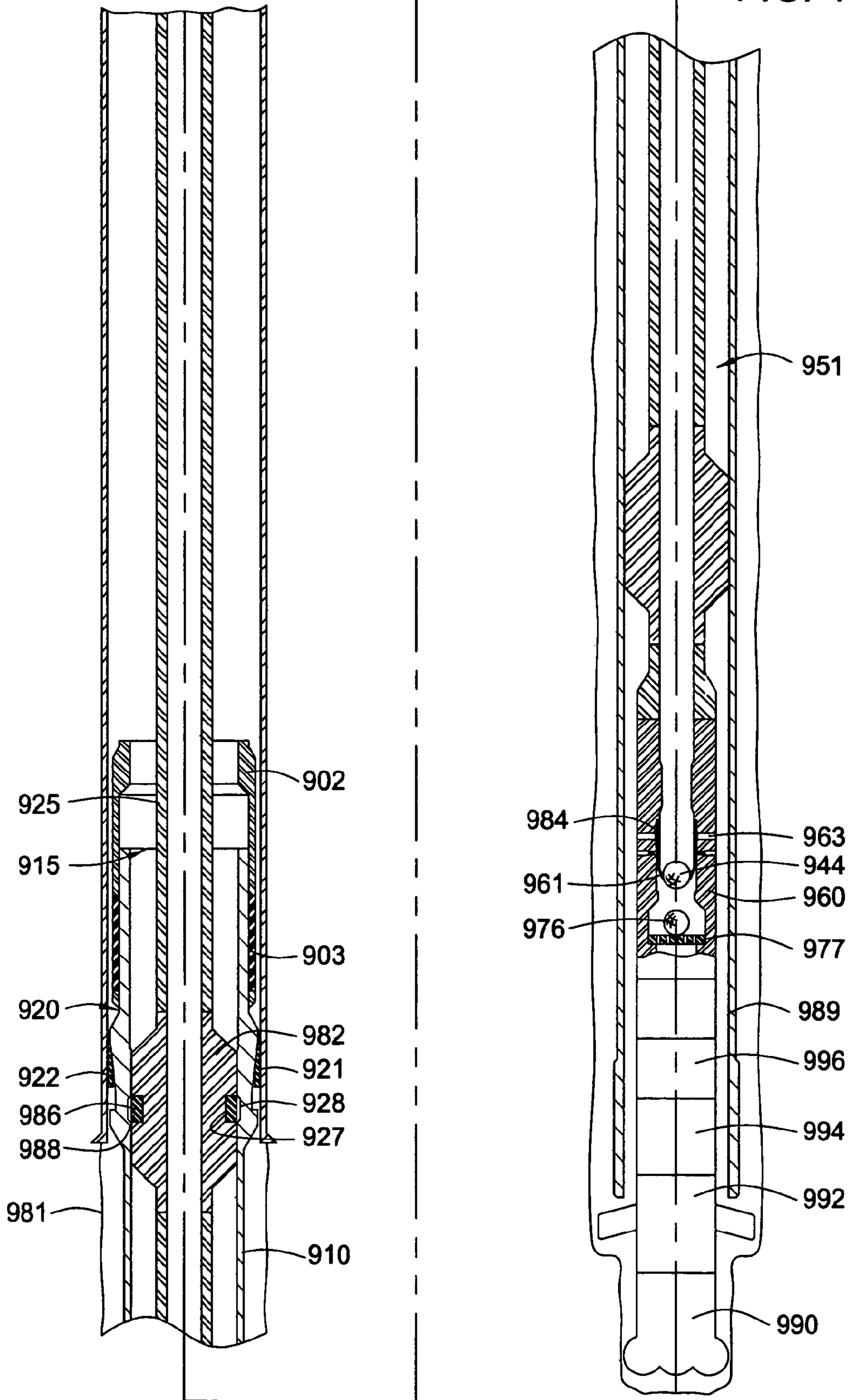


FIG. 44

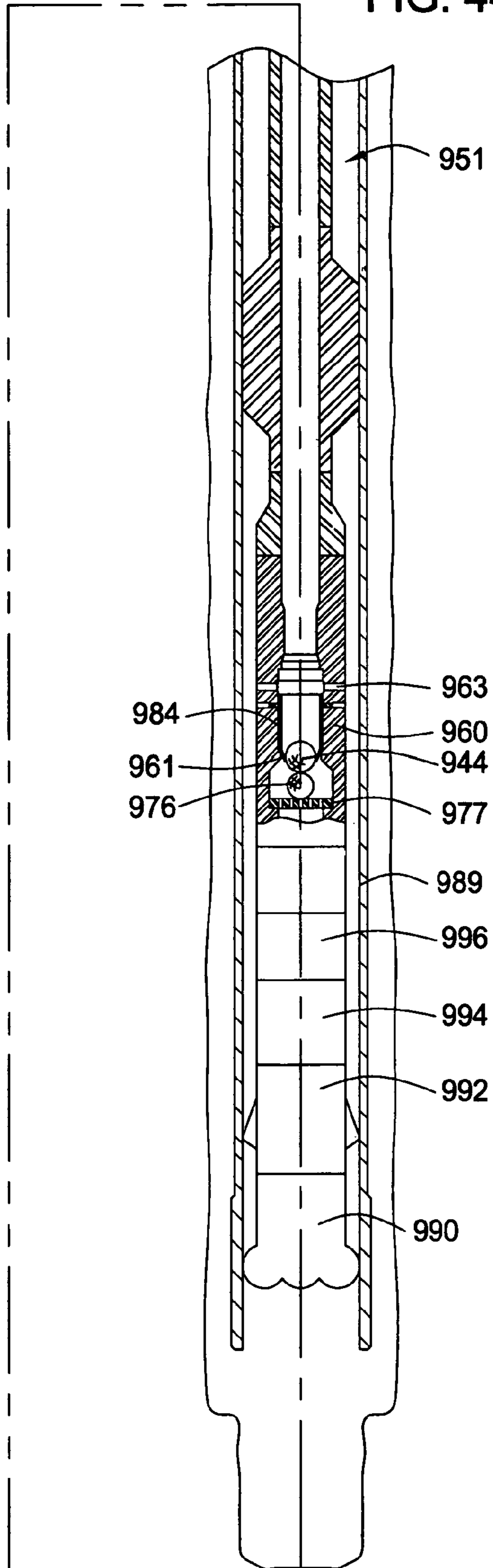
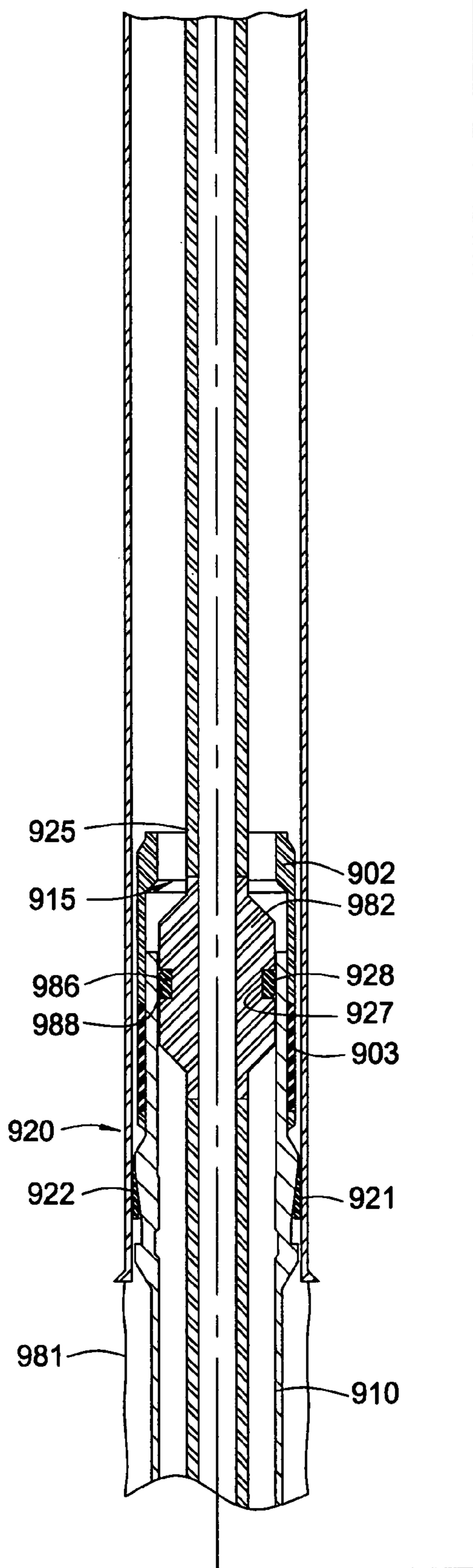


FIG. 45

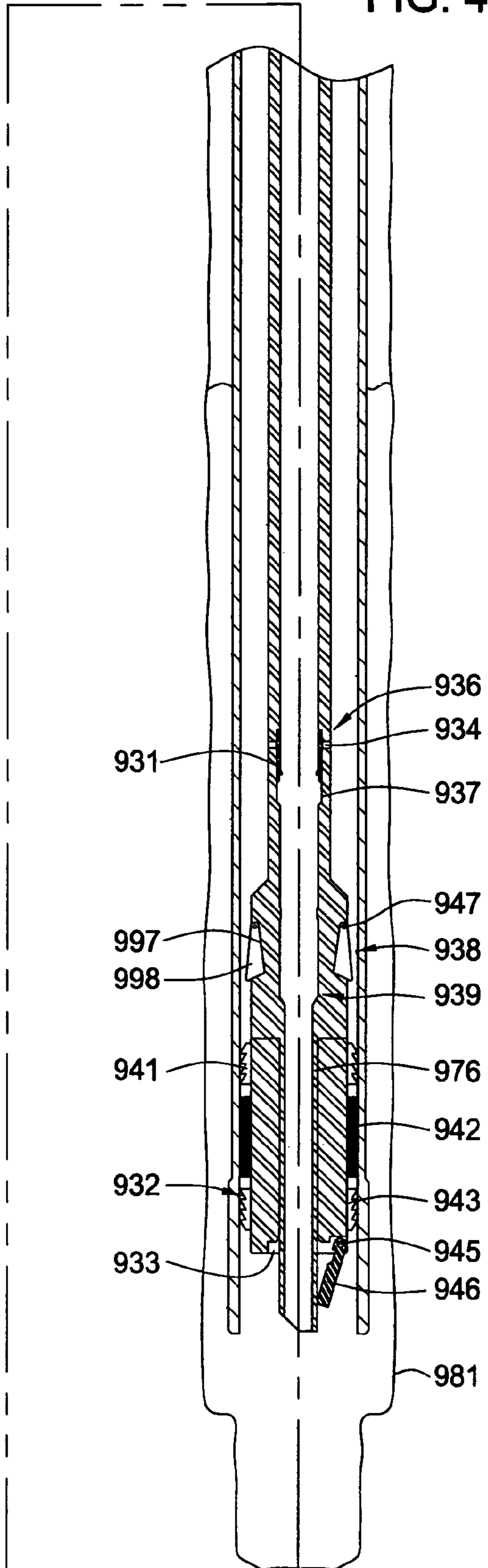
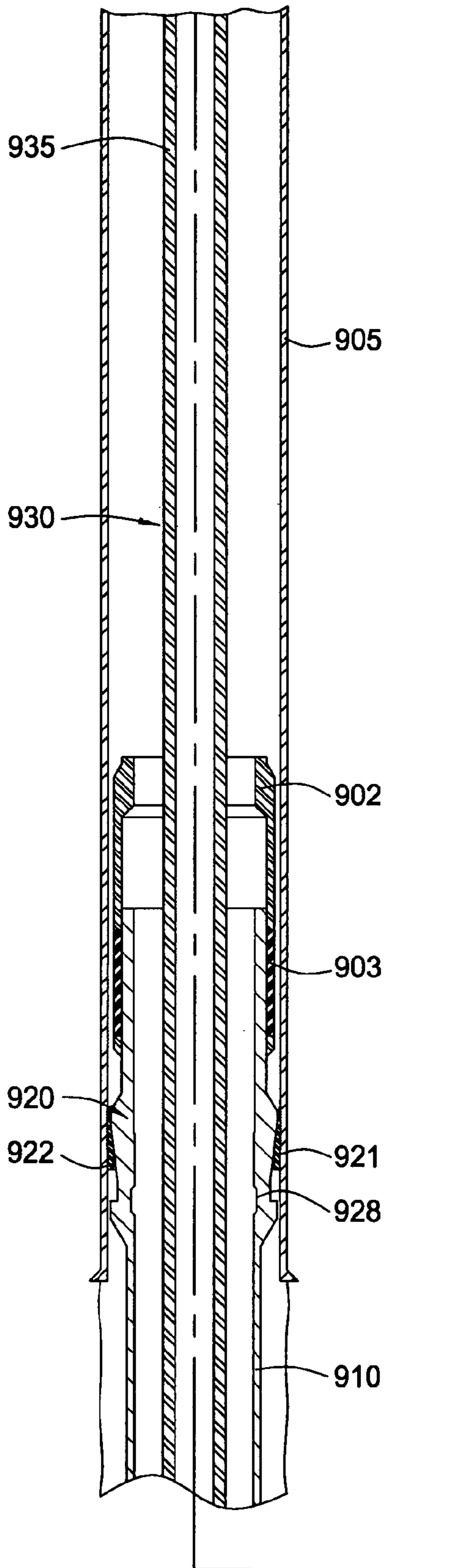


FIG. 46

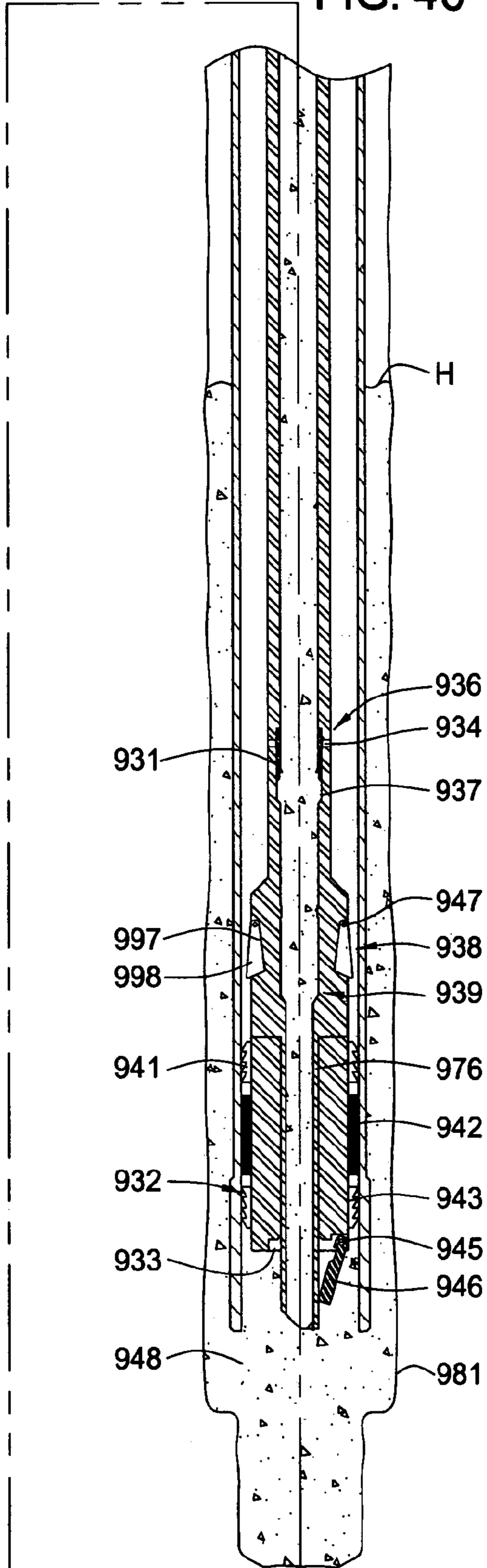
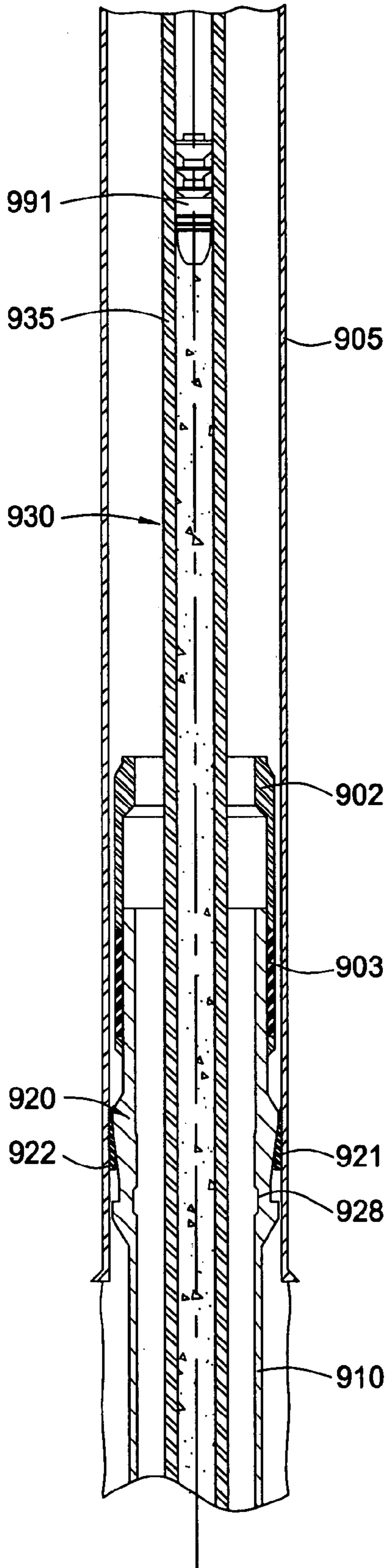


FIG. 47

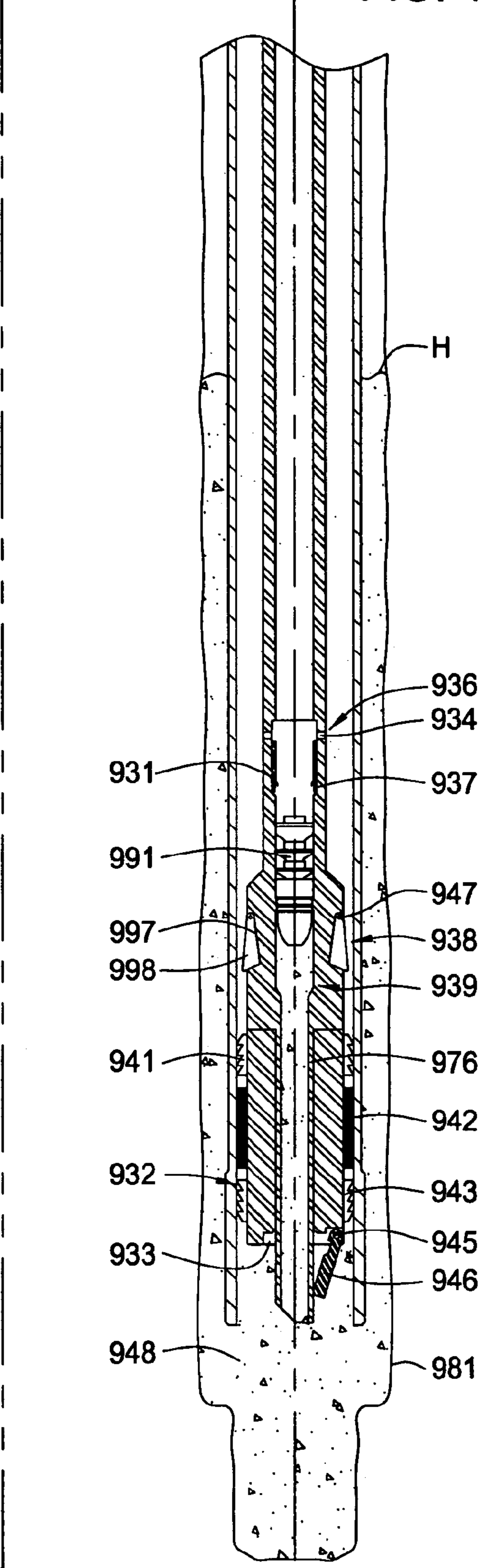
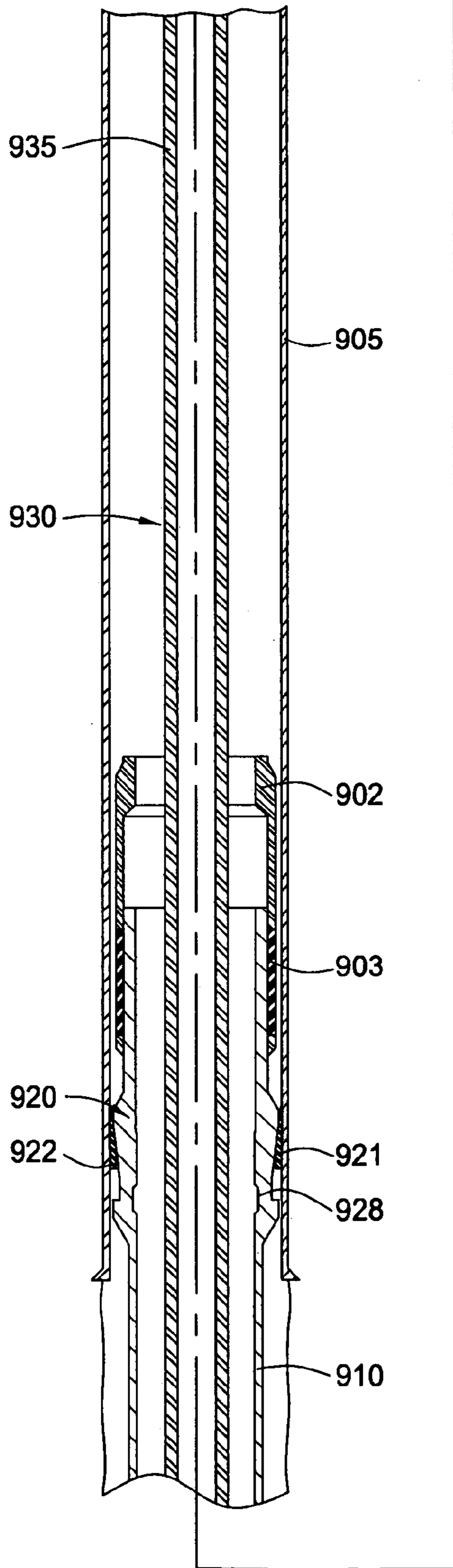


FIG. 48

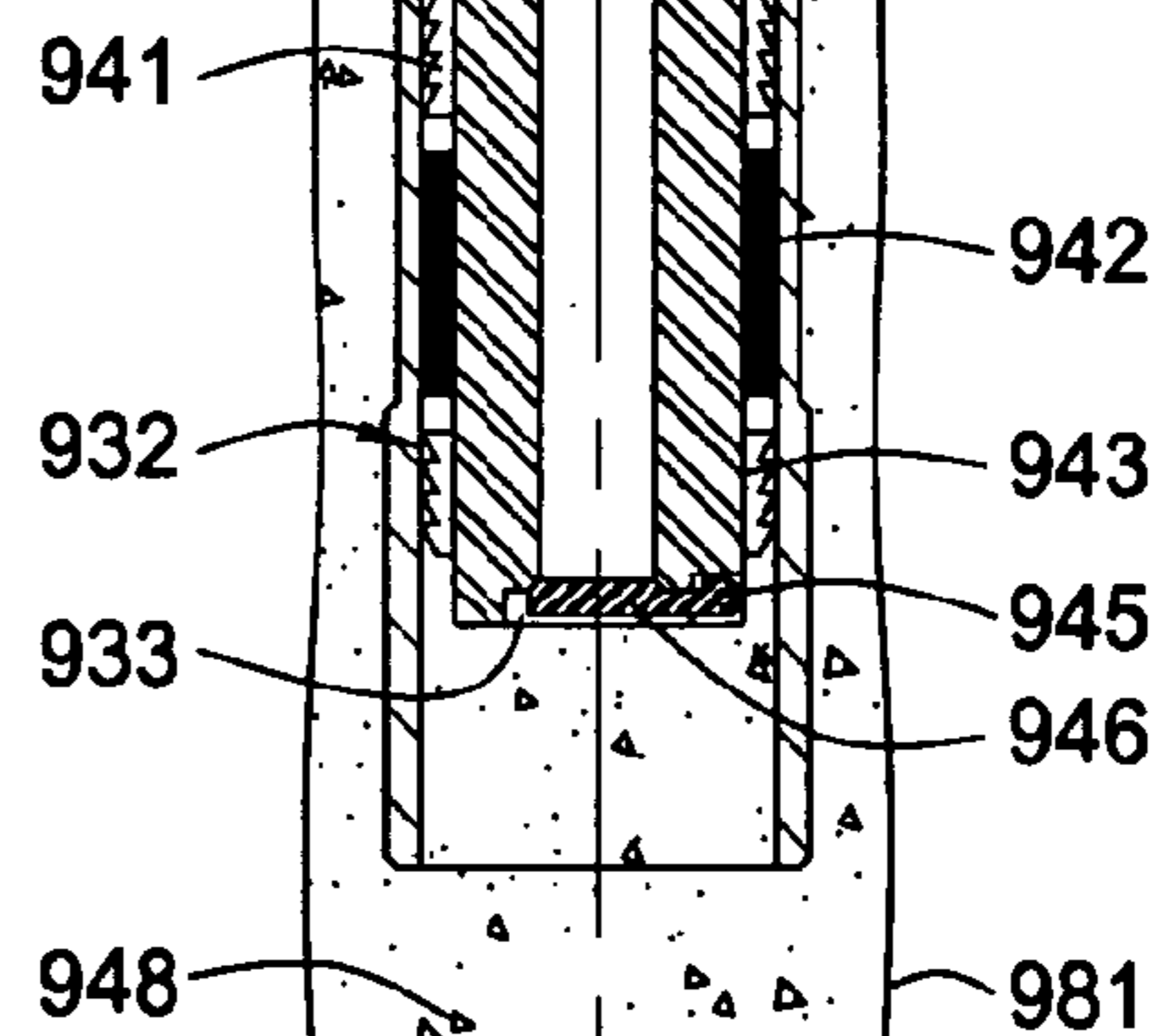
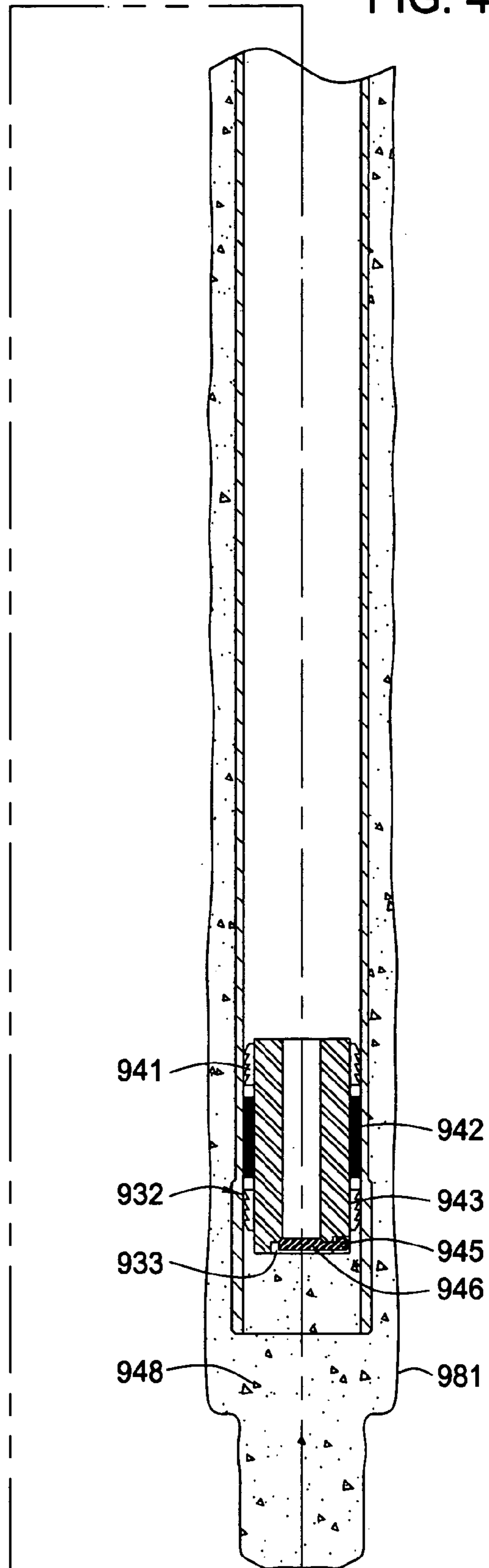
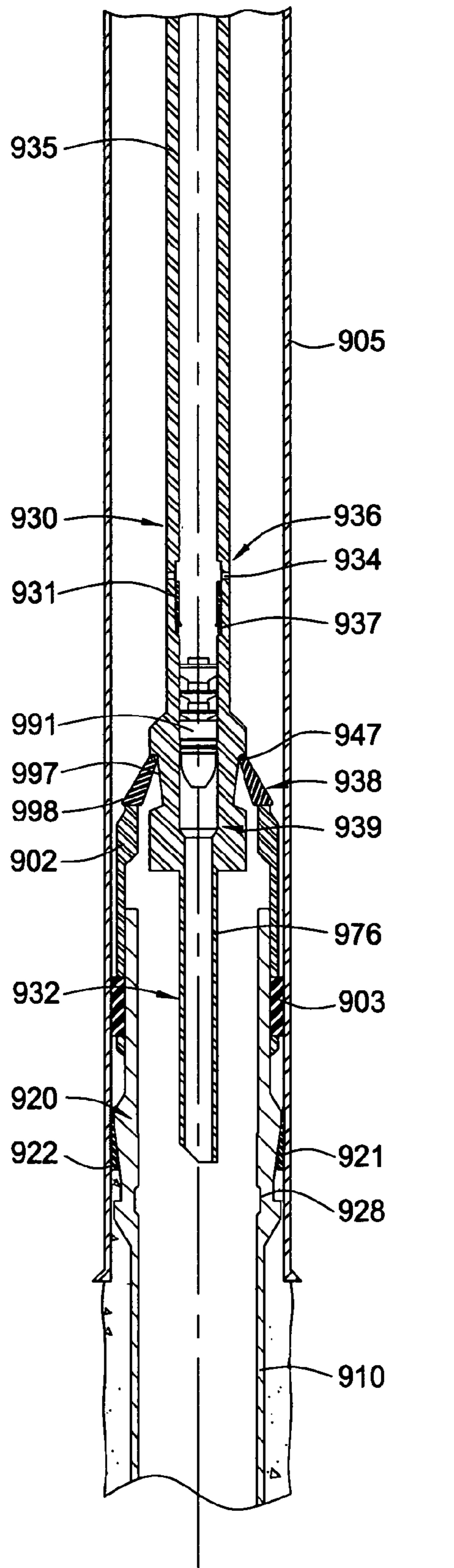


FIG. 49

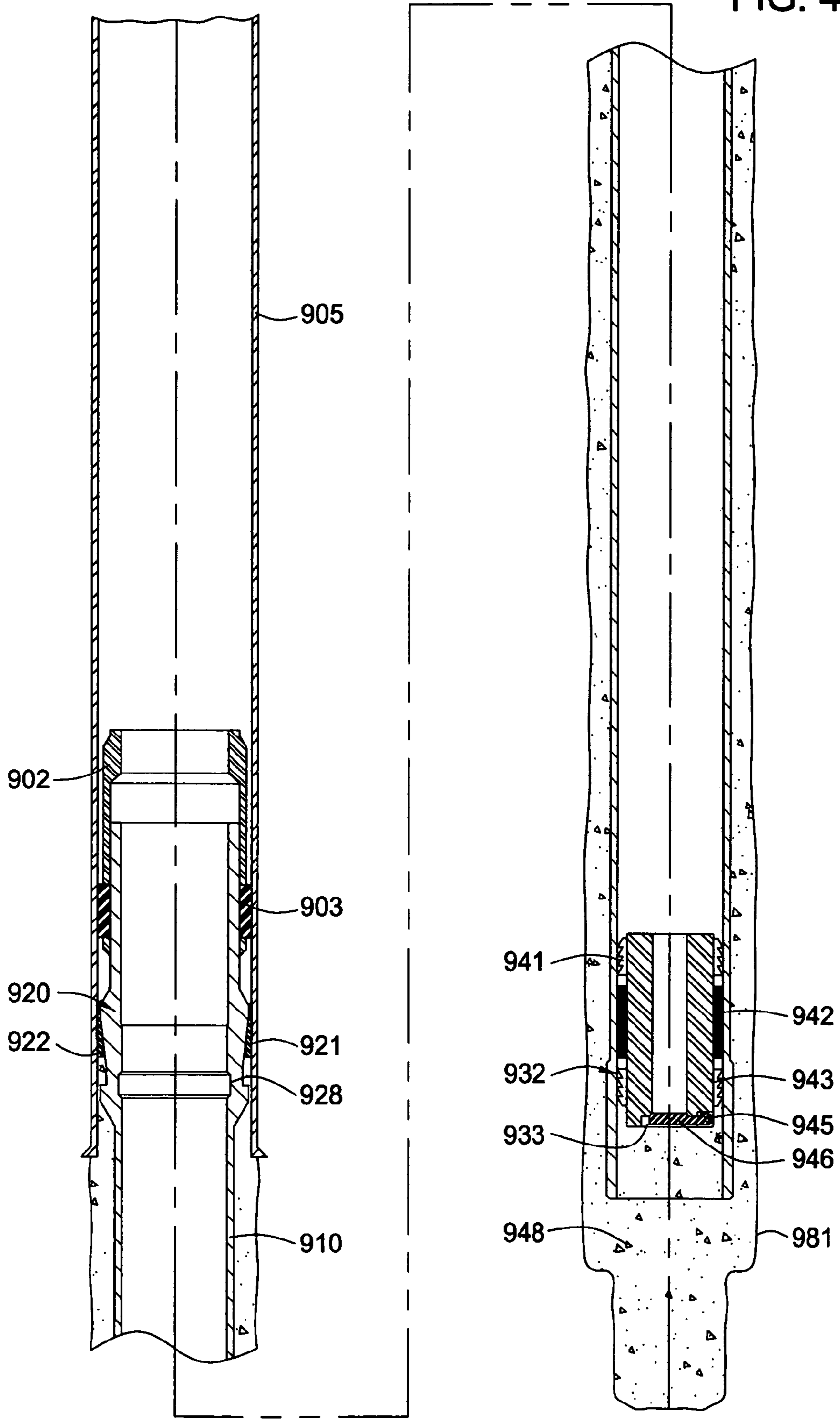
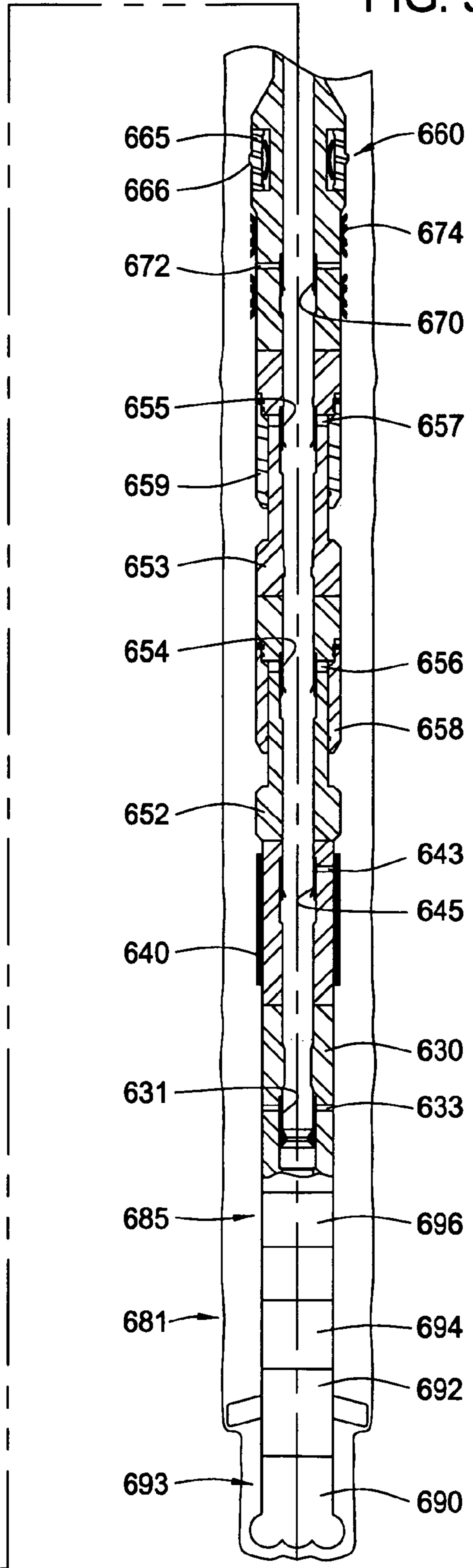
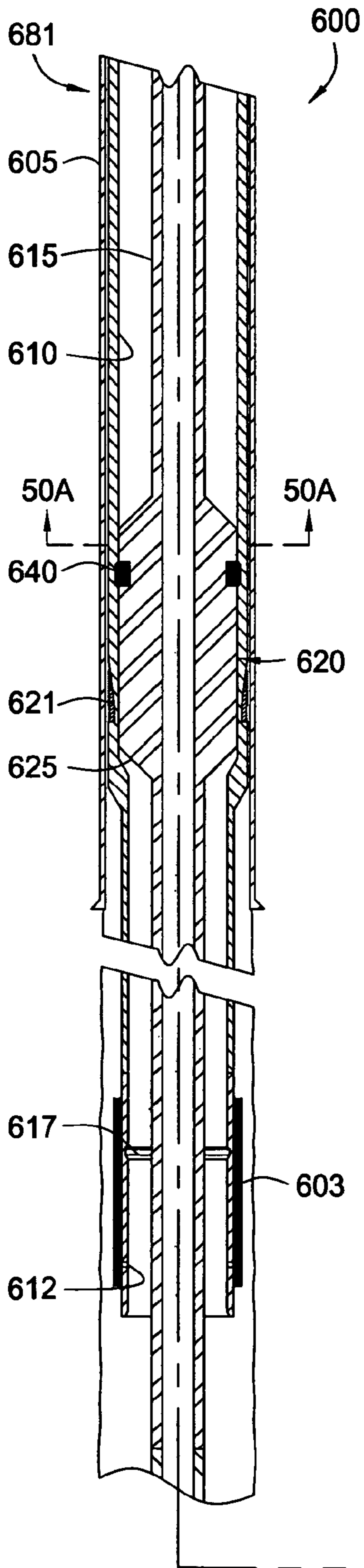


FIG. 50



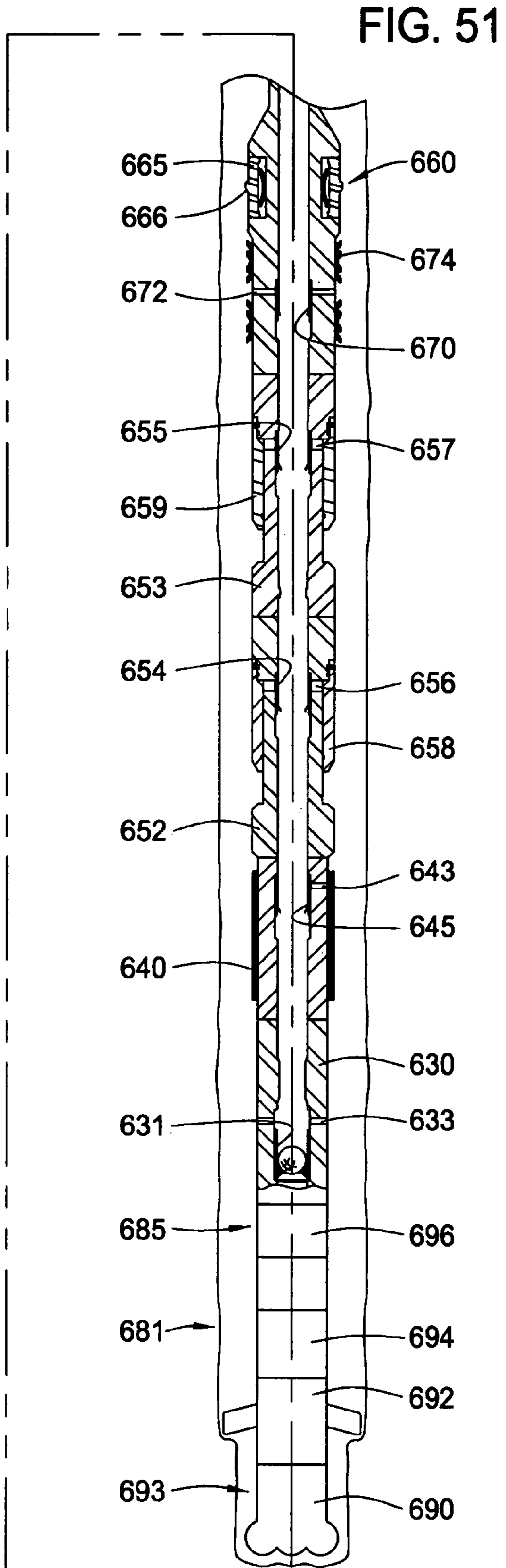
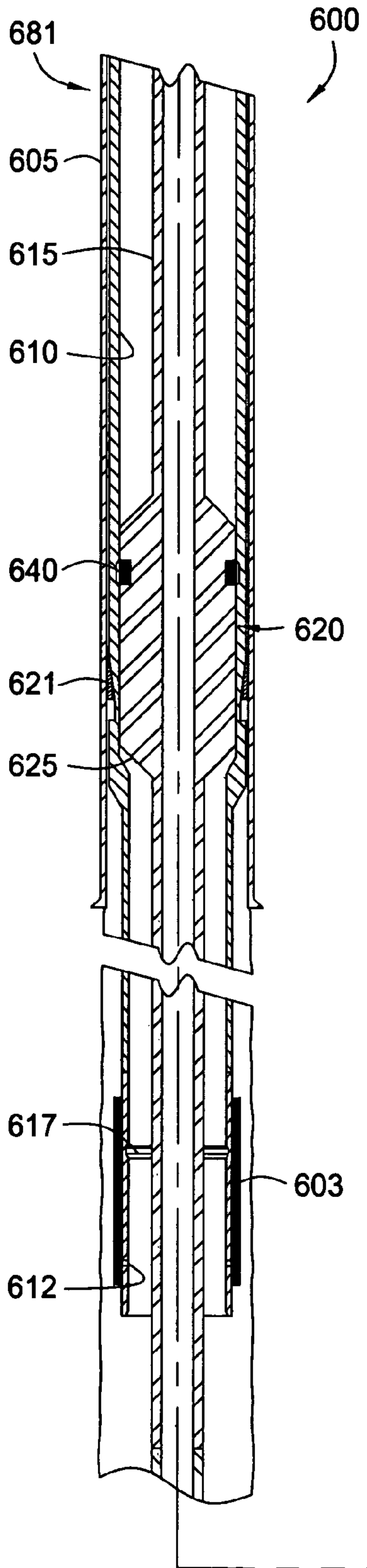


FIG. 52

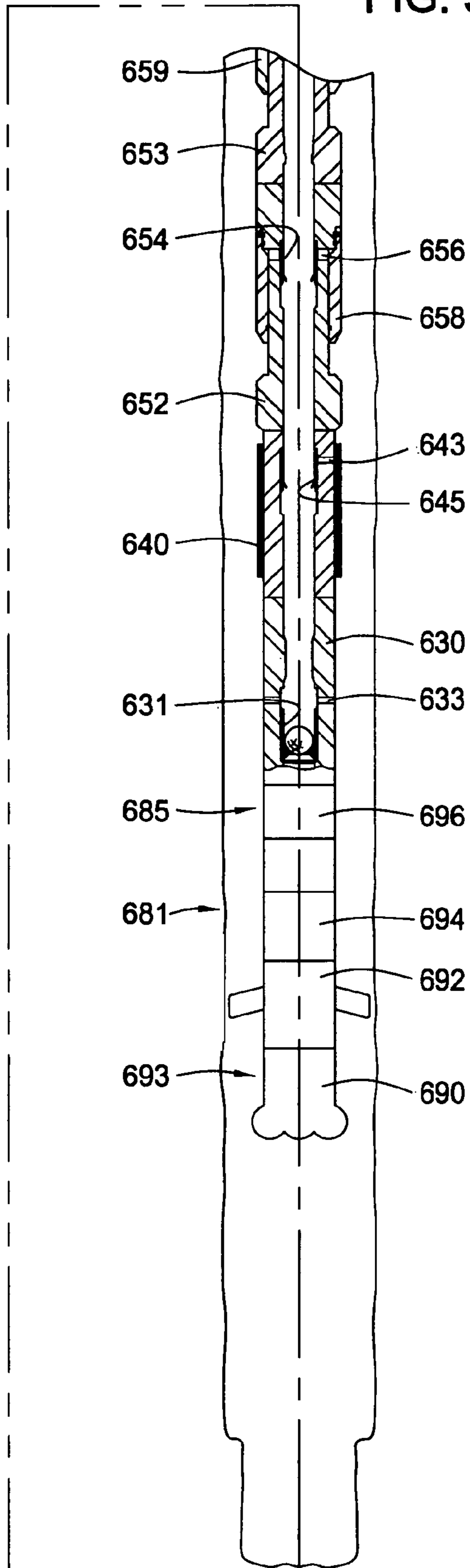
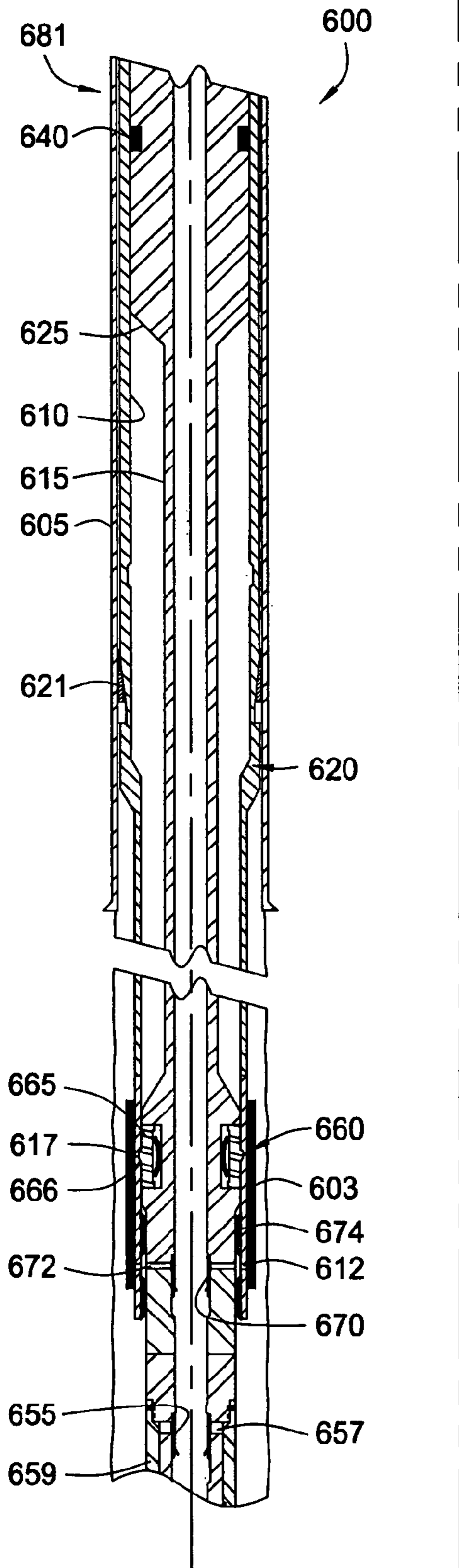


FIG. 53

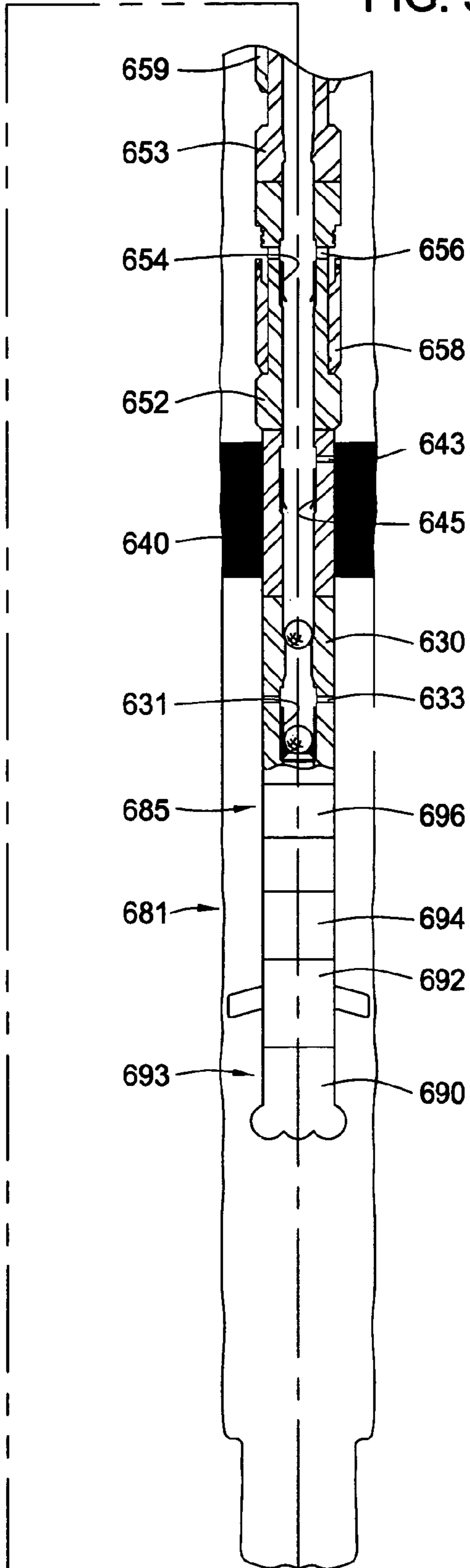
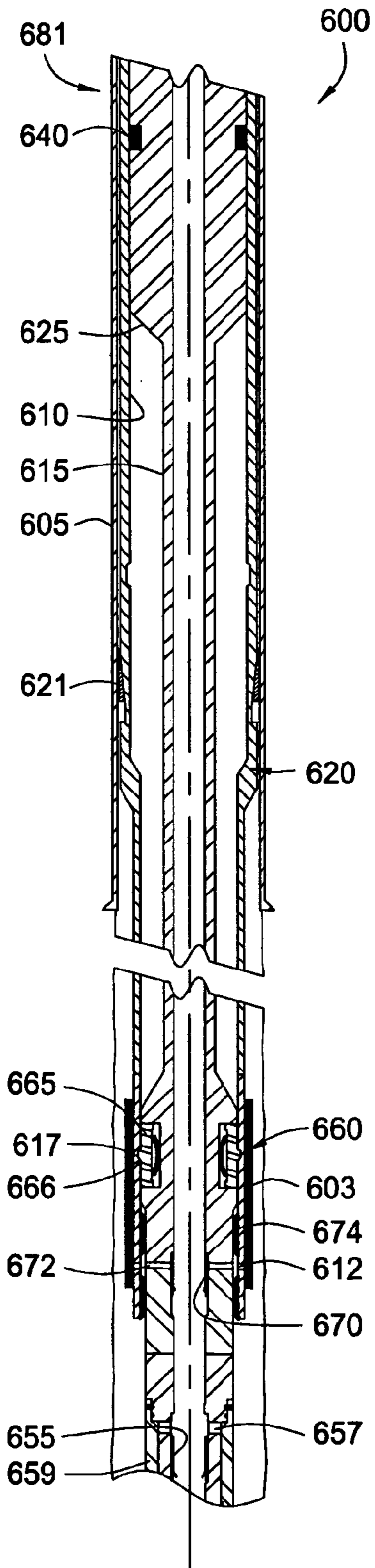
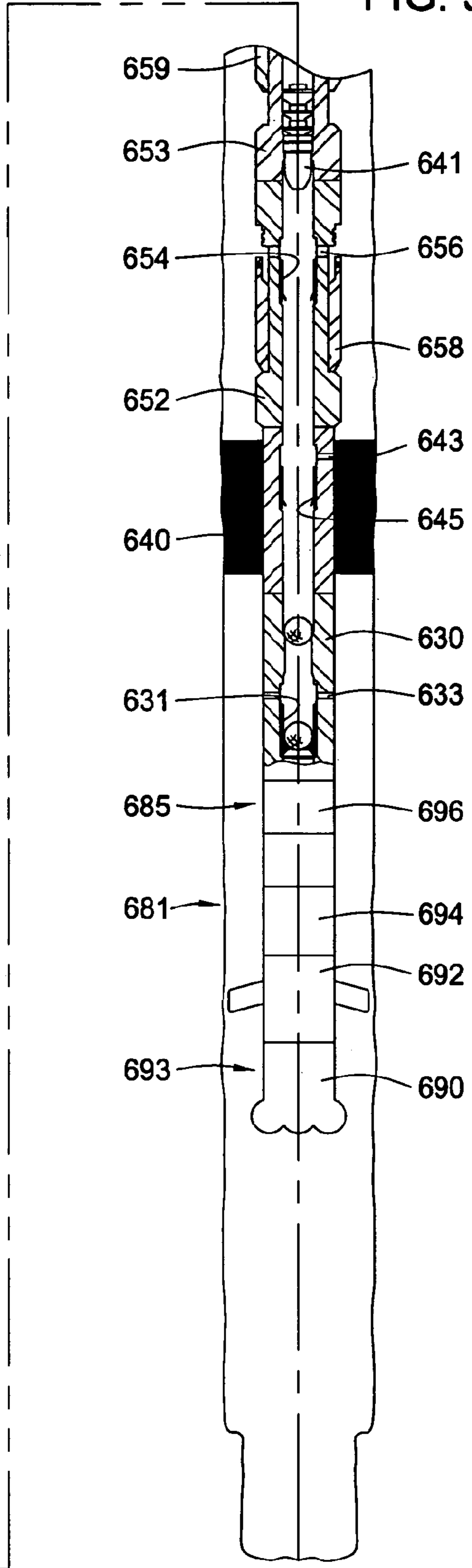
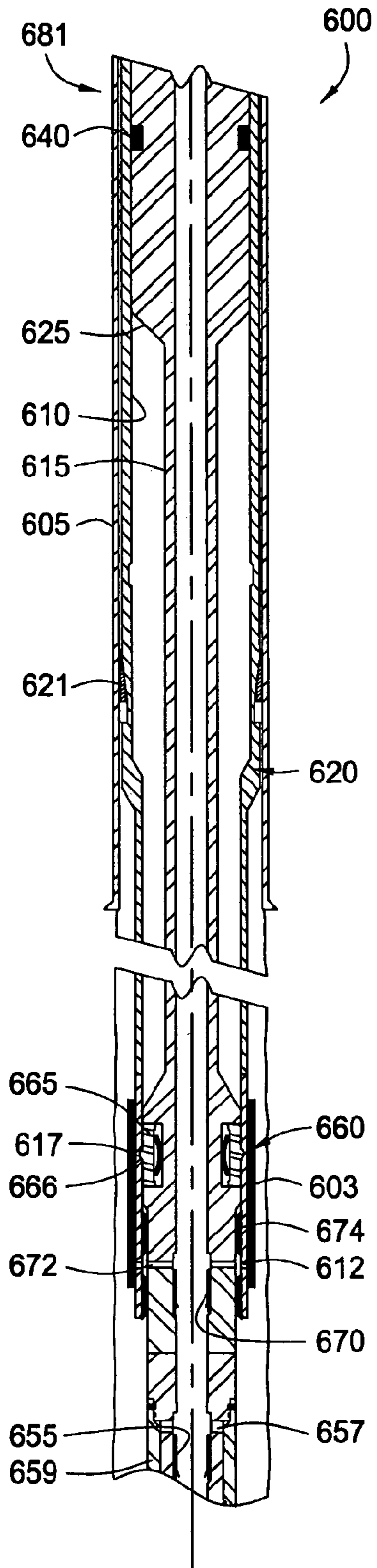


FIG. 54



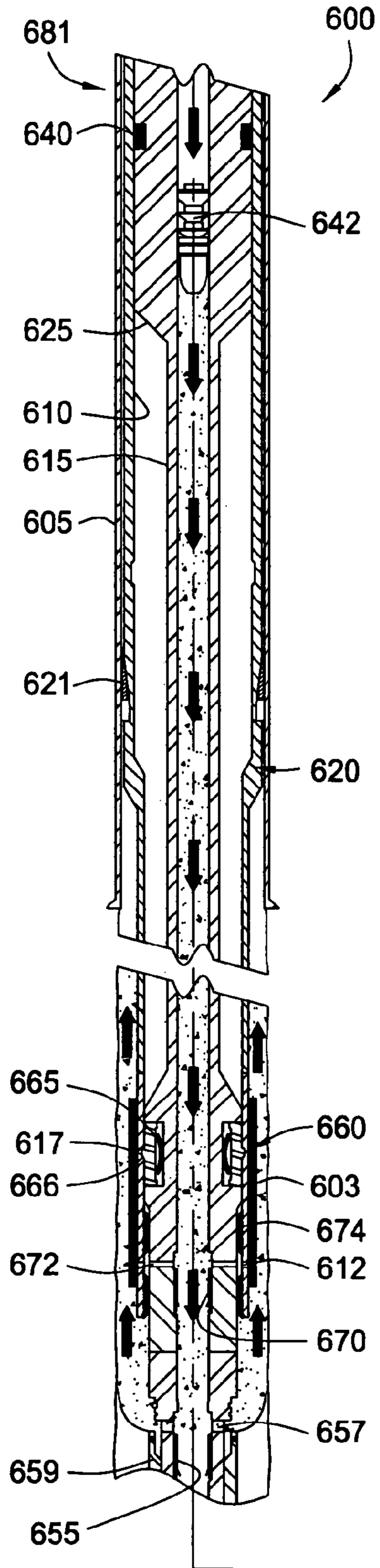


FIG. 55

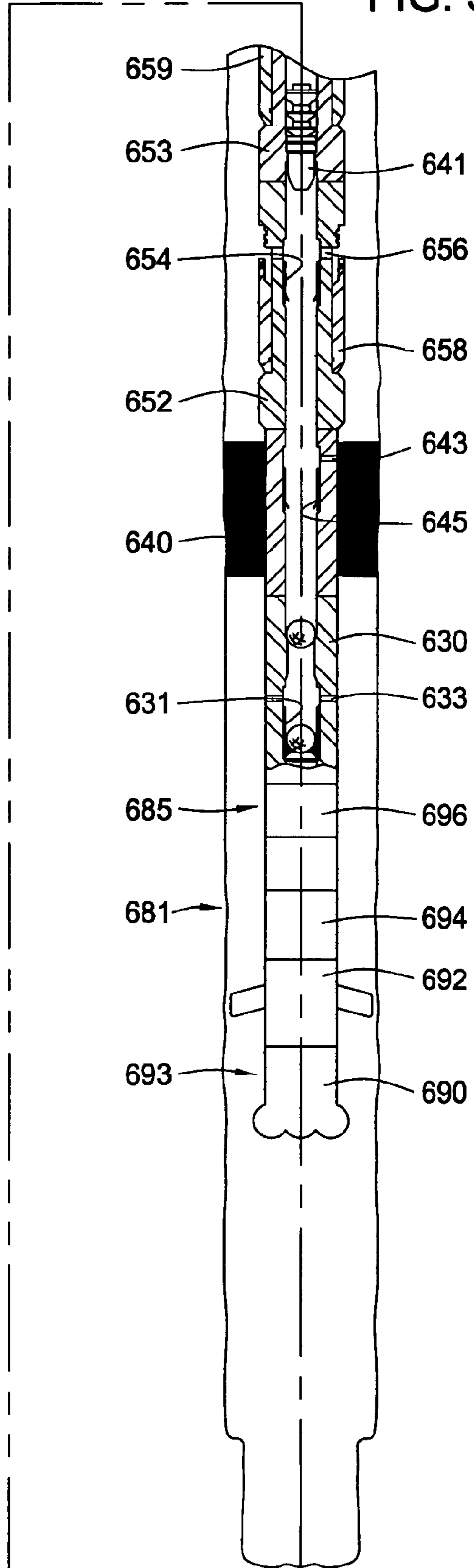


FIG. 56

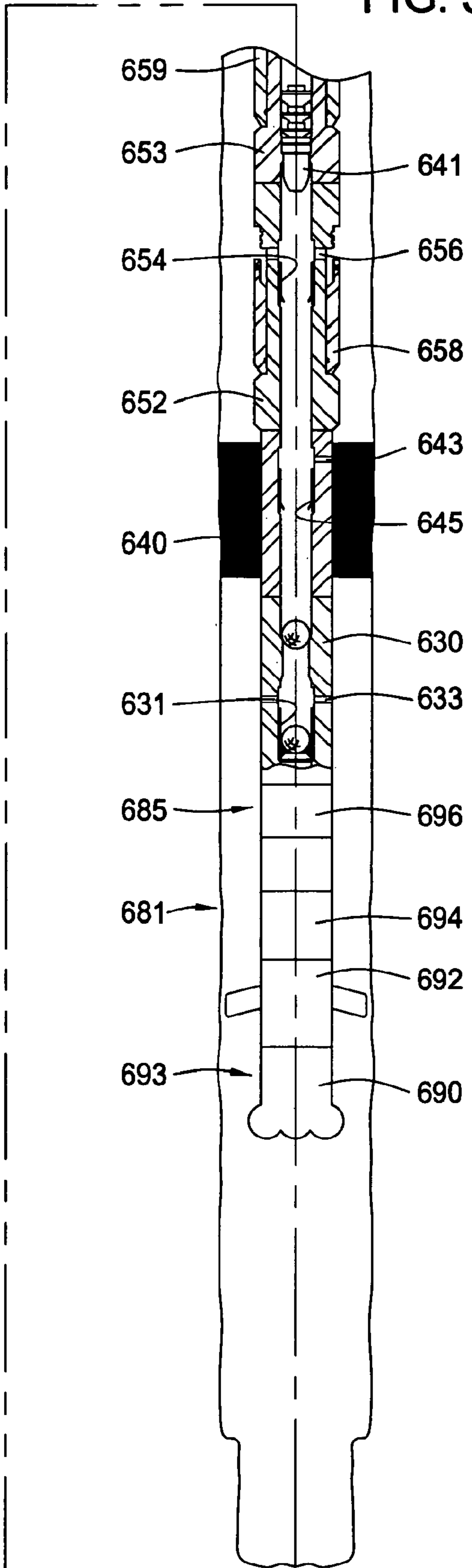
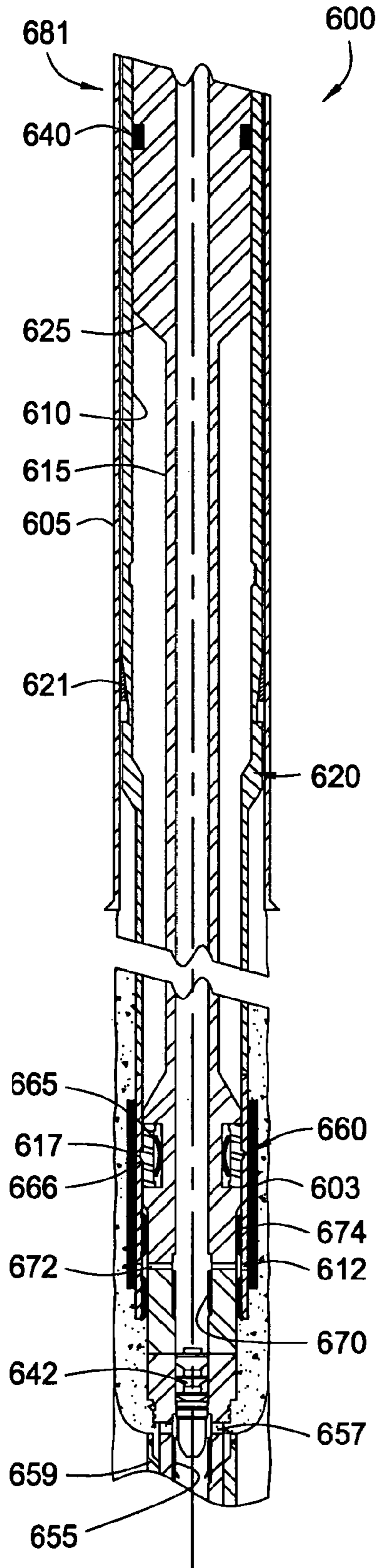


FIG. 57

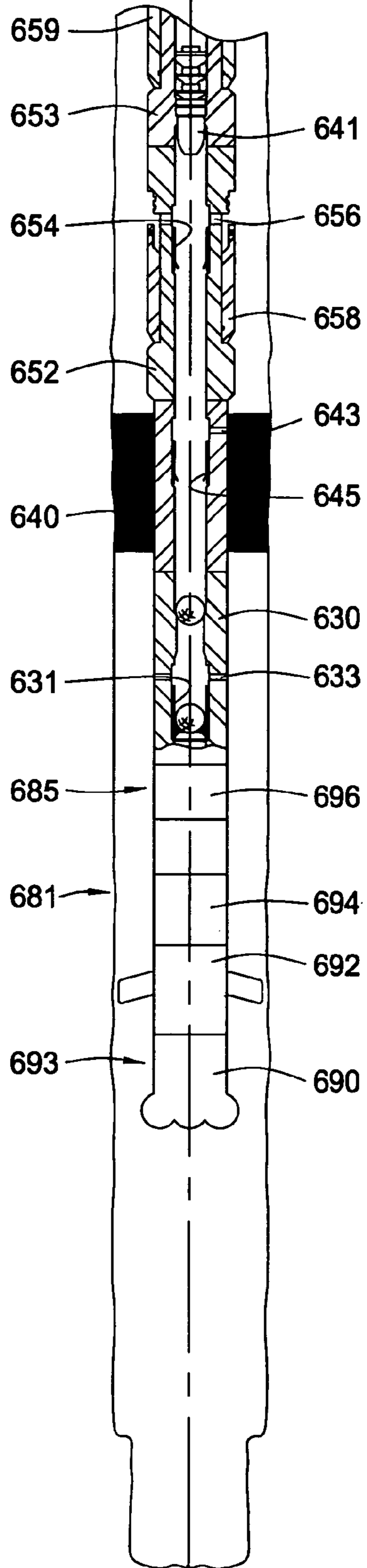
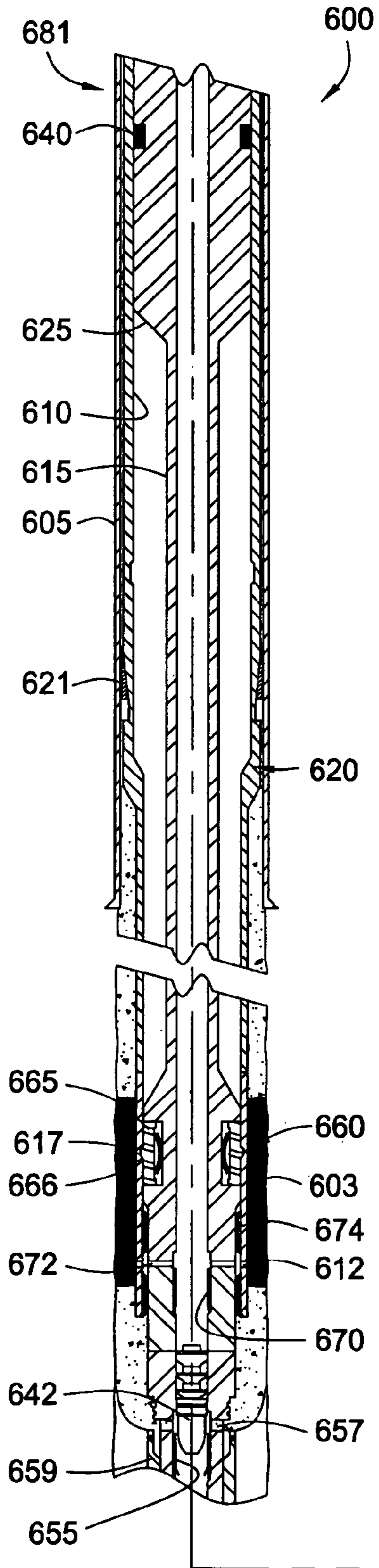


FIG. 58

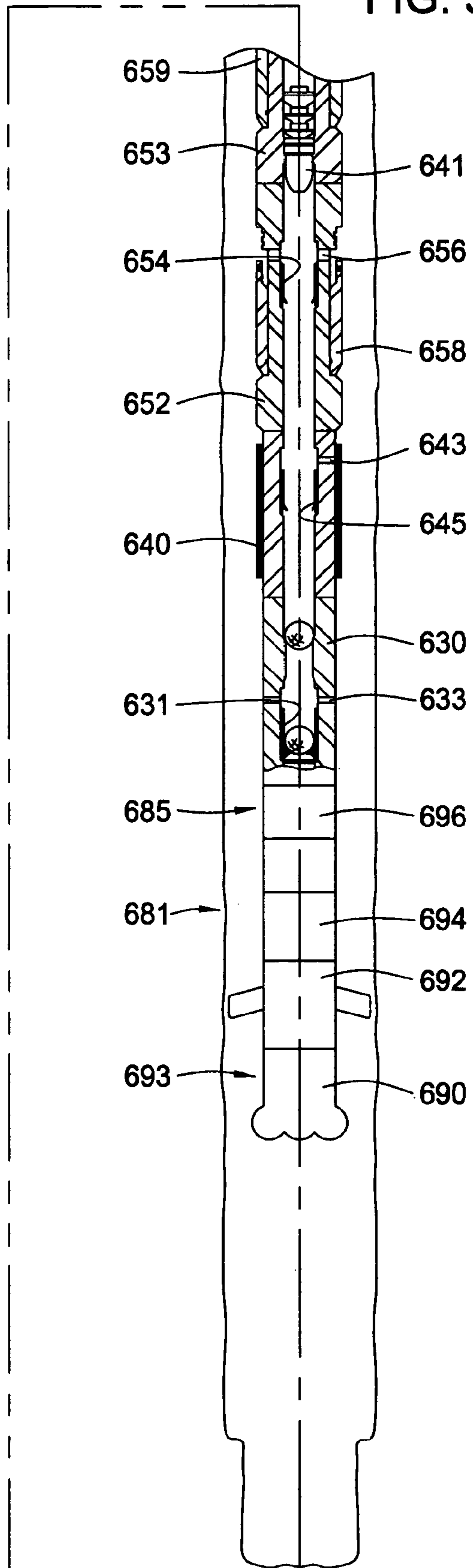
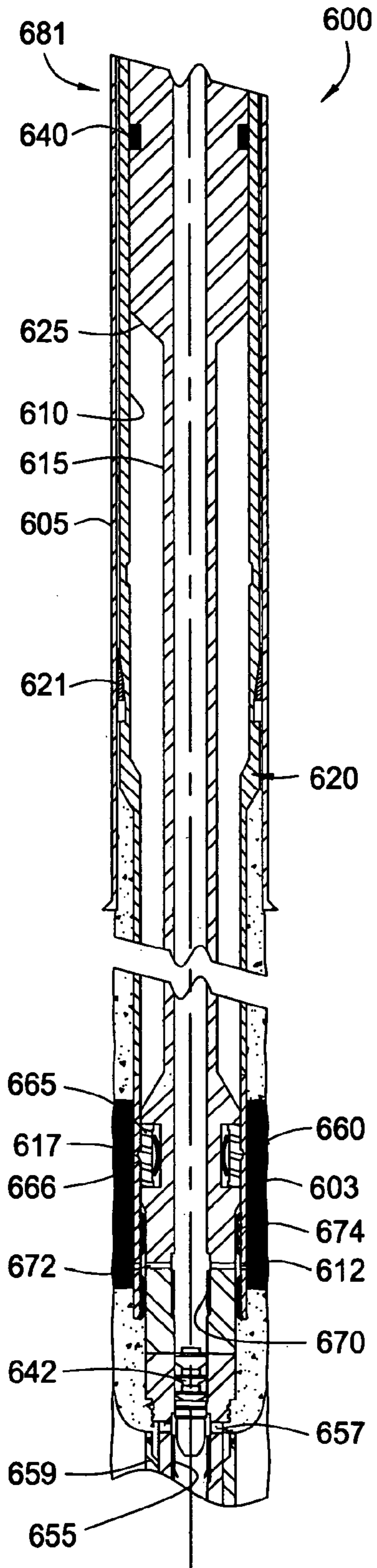
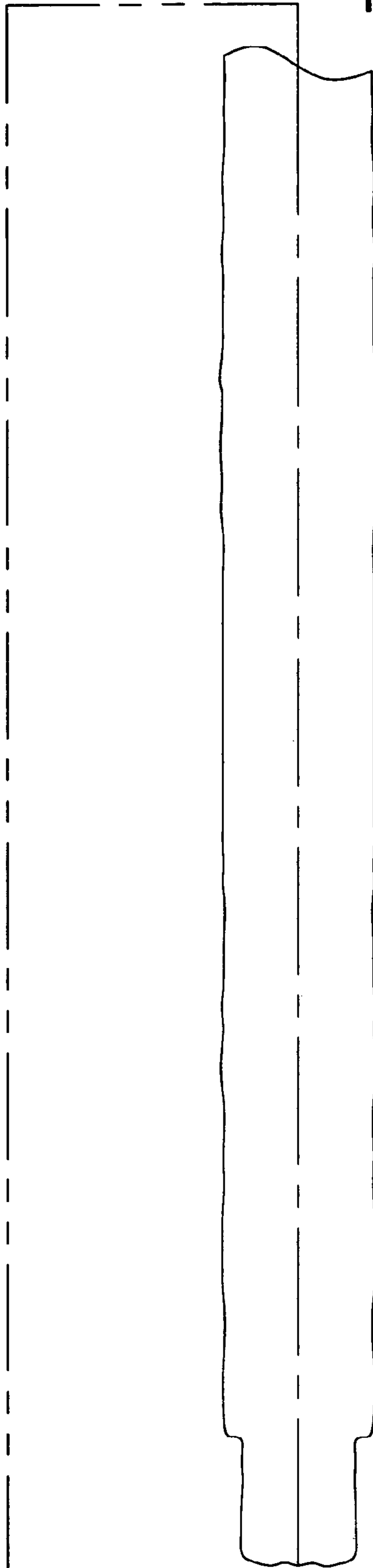
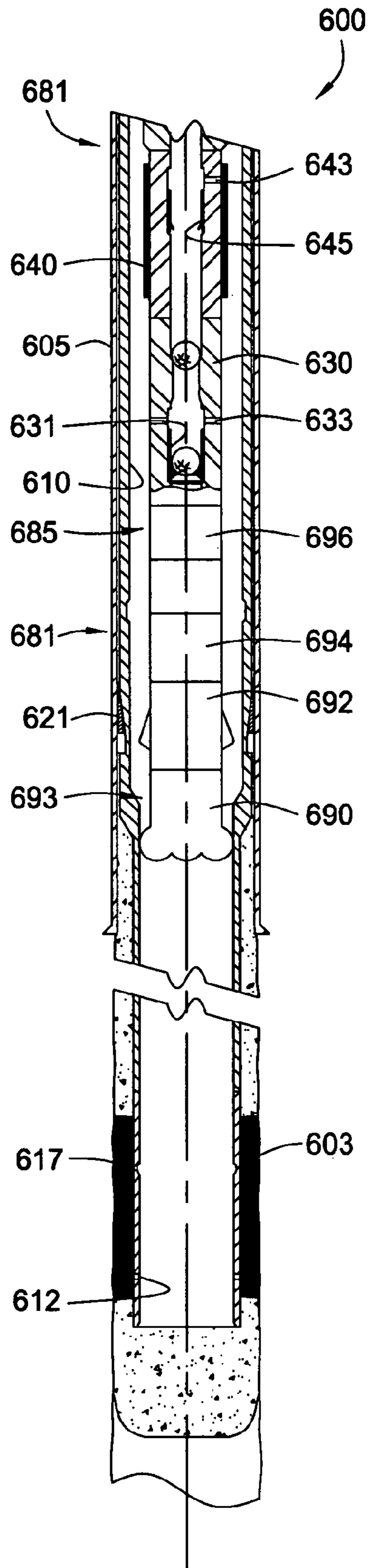


FIG. 59



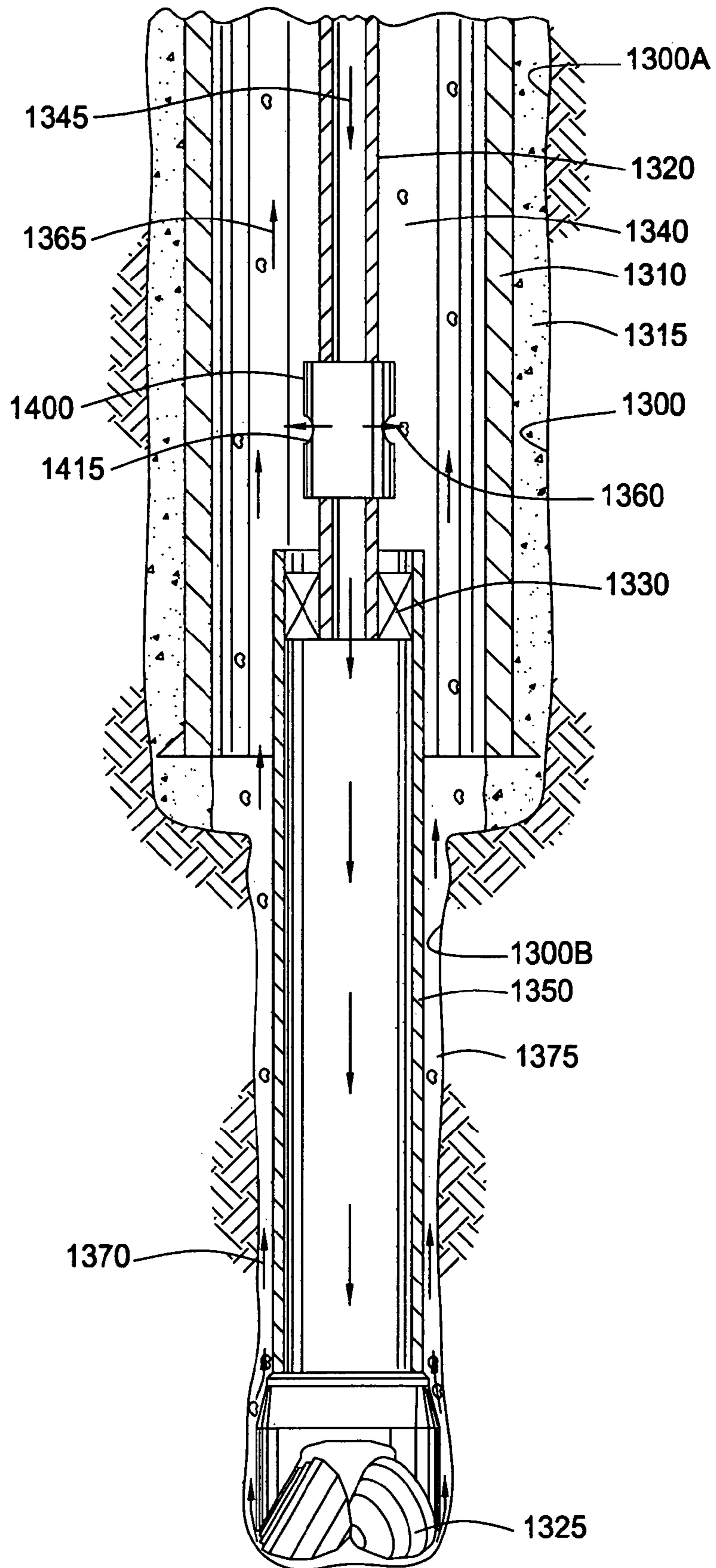


FIG. 60

FIG. 61

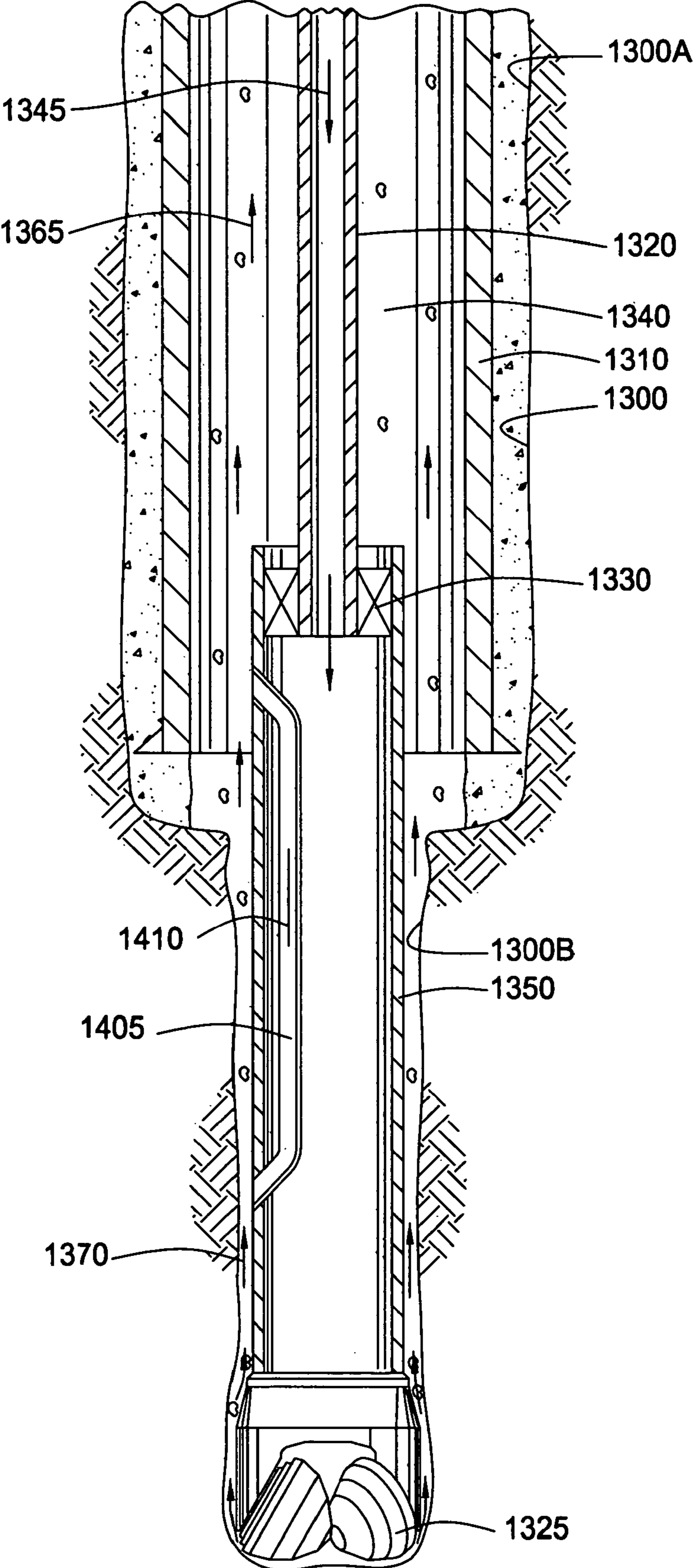
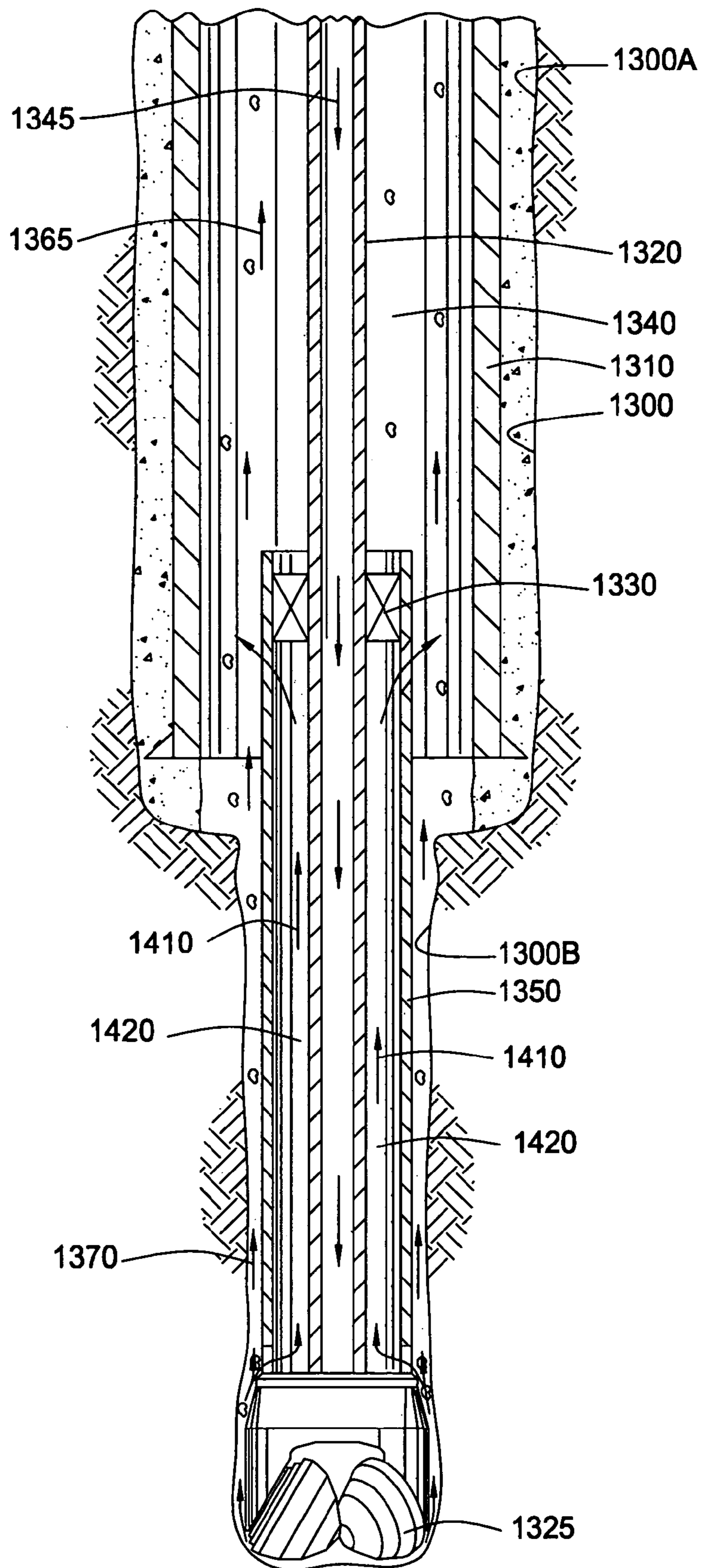


FIG. 62



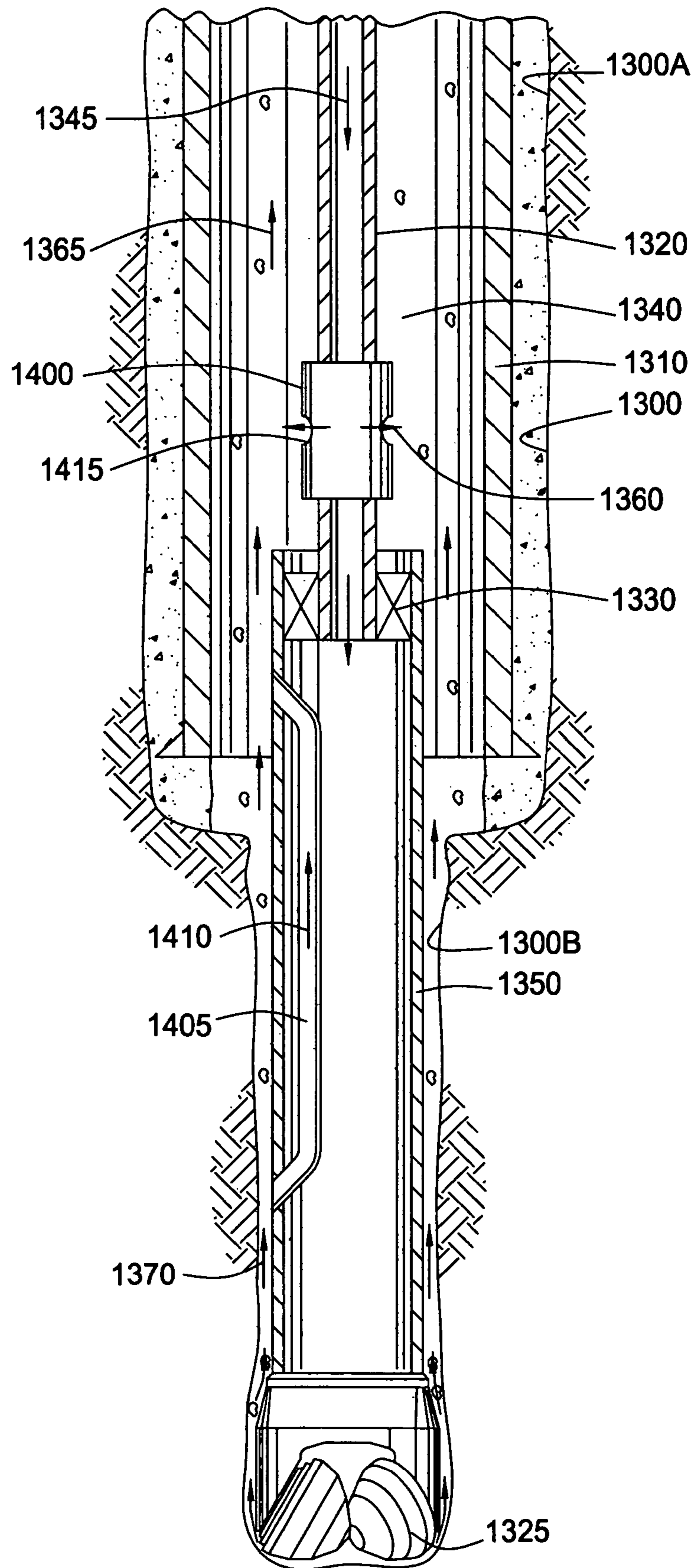


FIG. 63

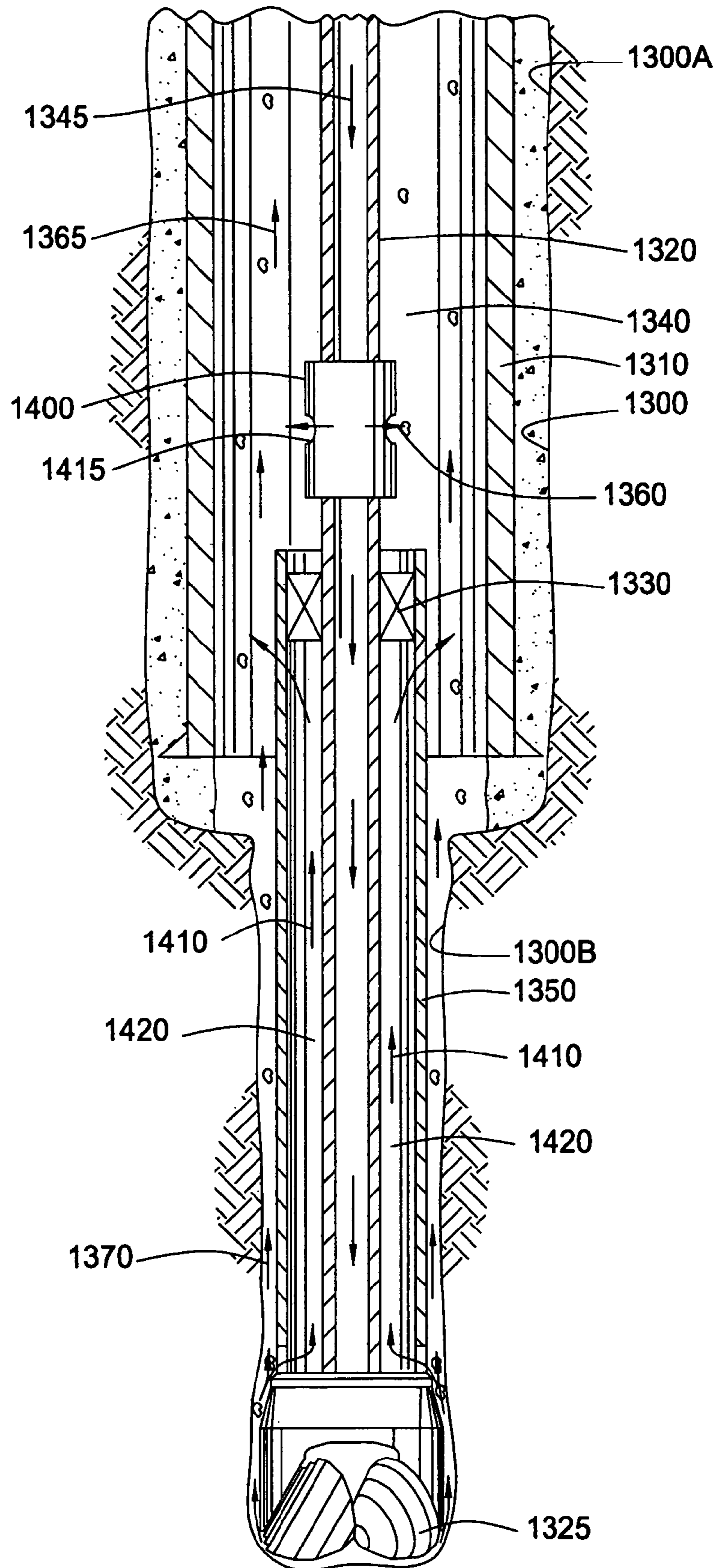


FIG. 64

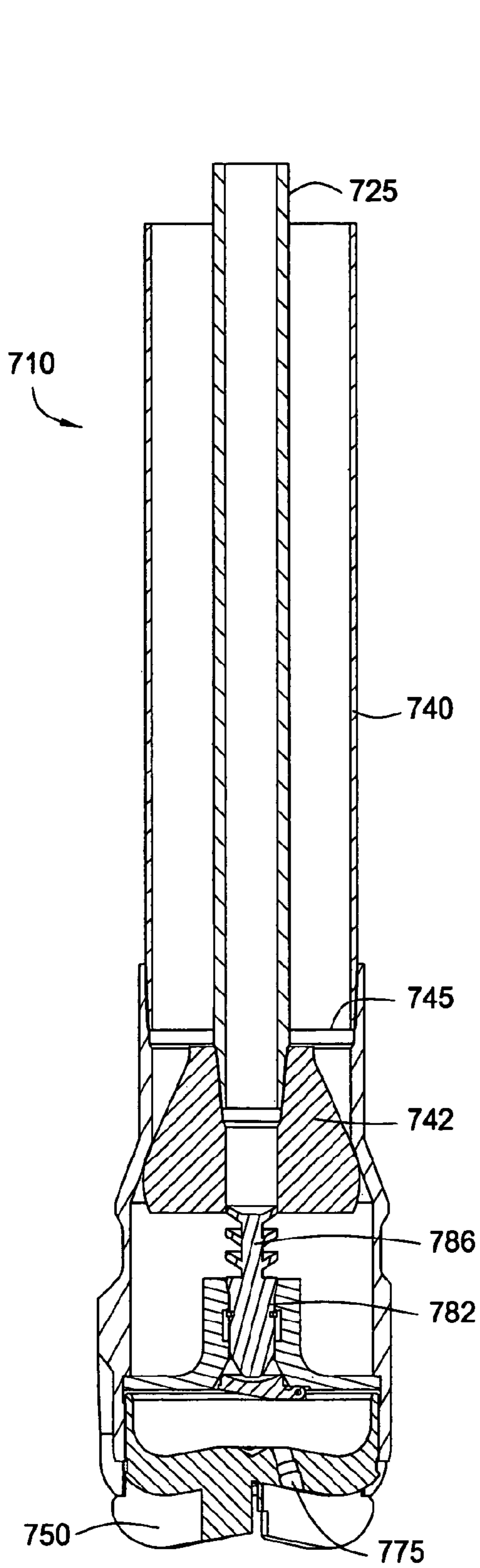


FIG. 65

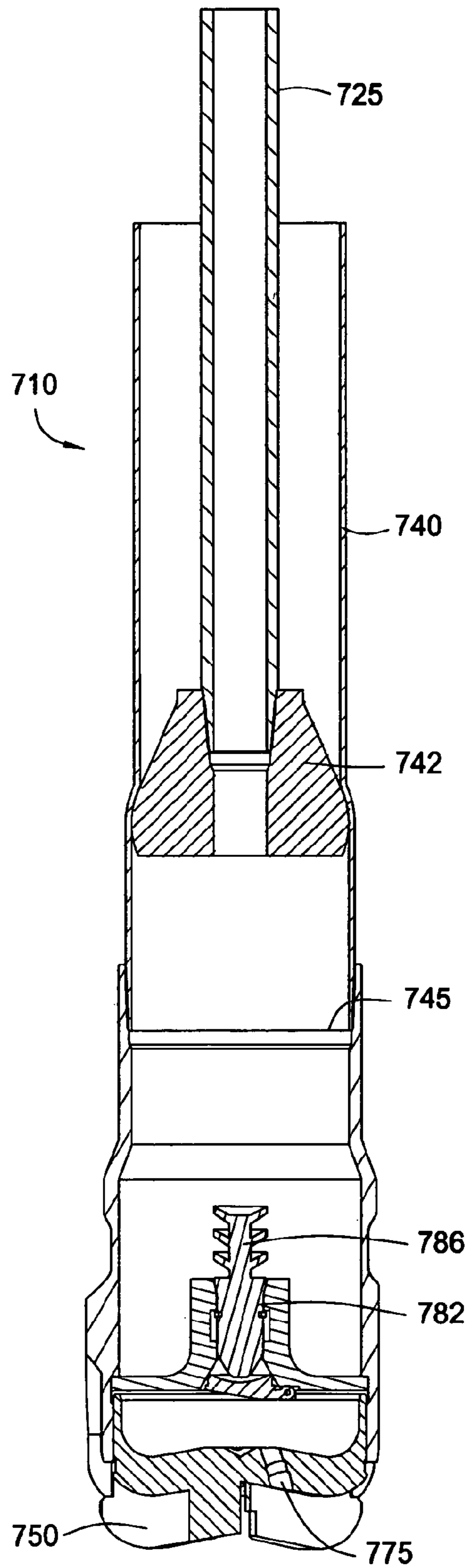


FIG. 66

FIG. 67
(PRIOR ART)

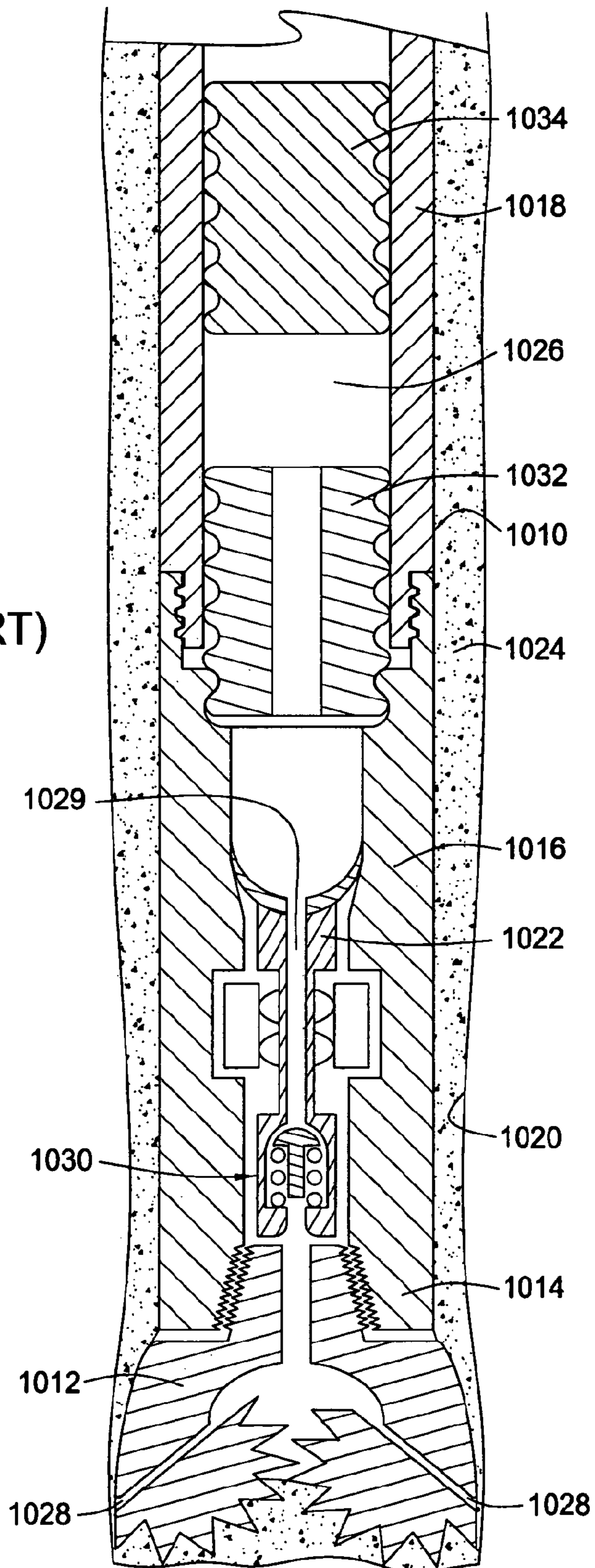


FIG. 68

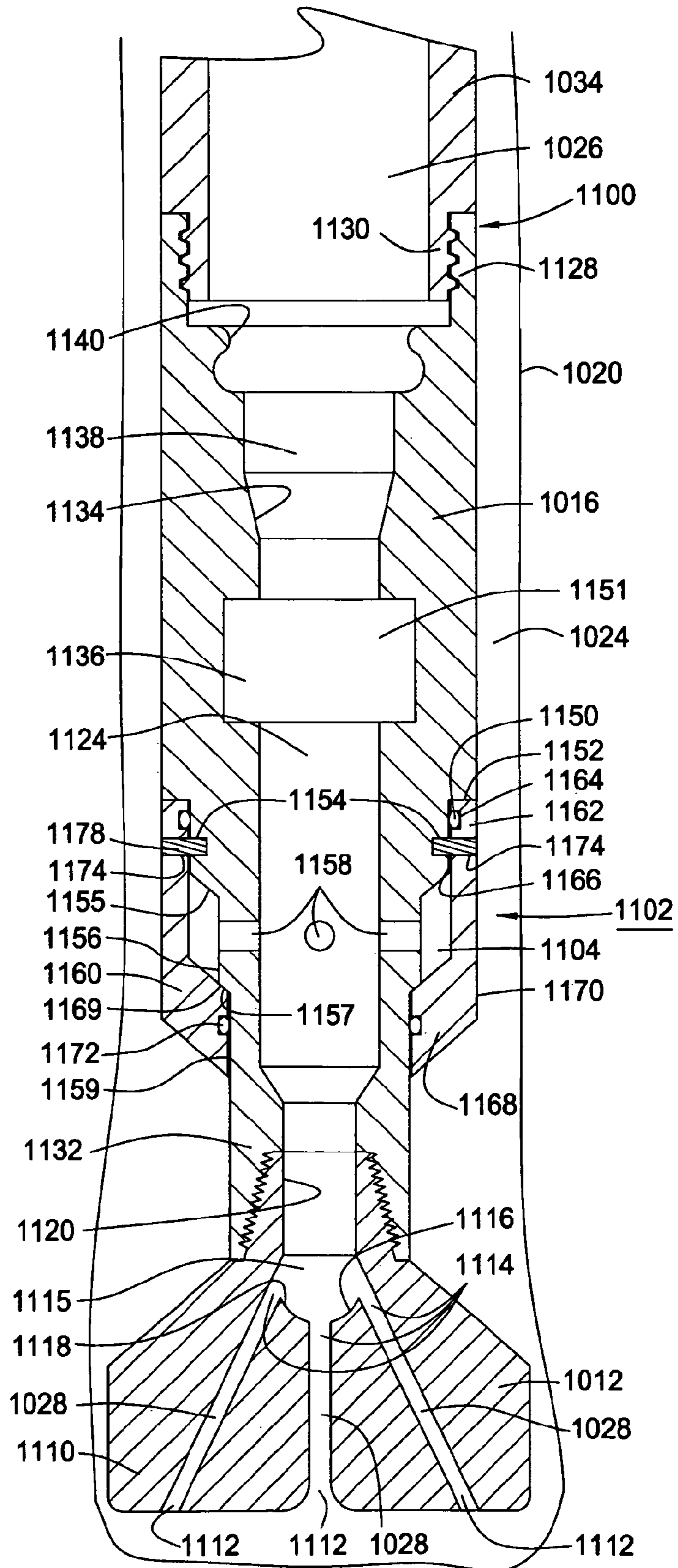


FIG. 69

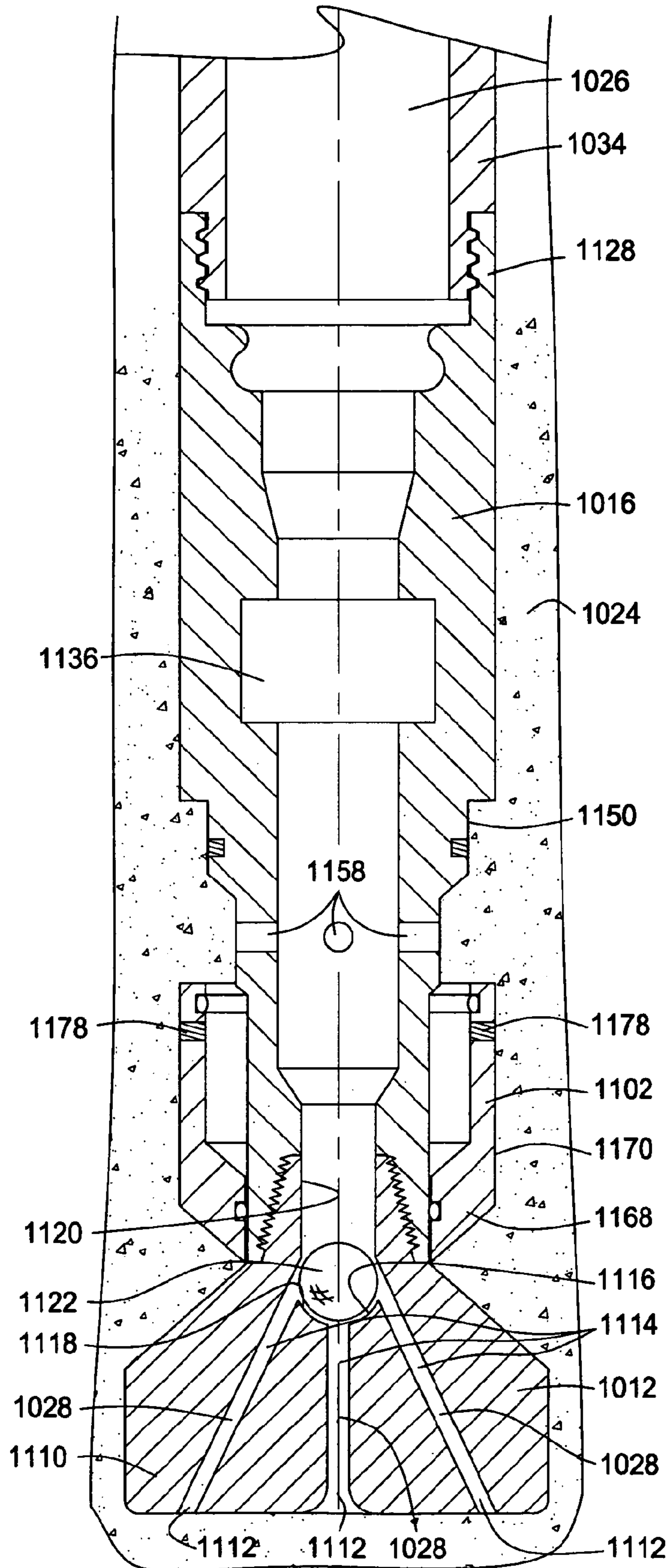


FIG. 70

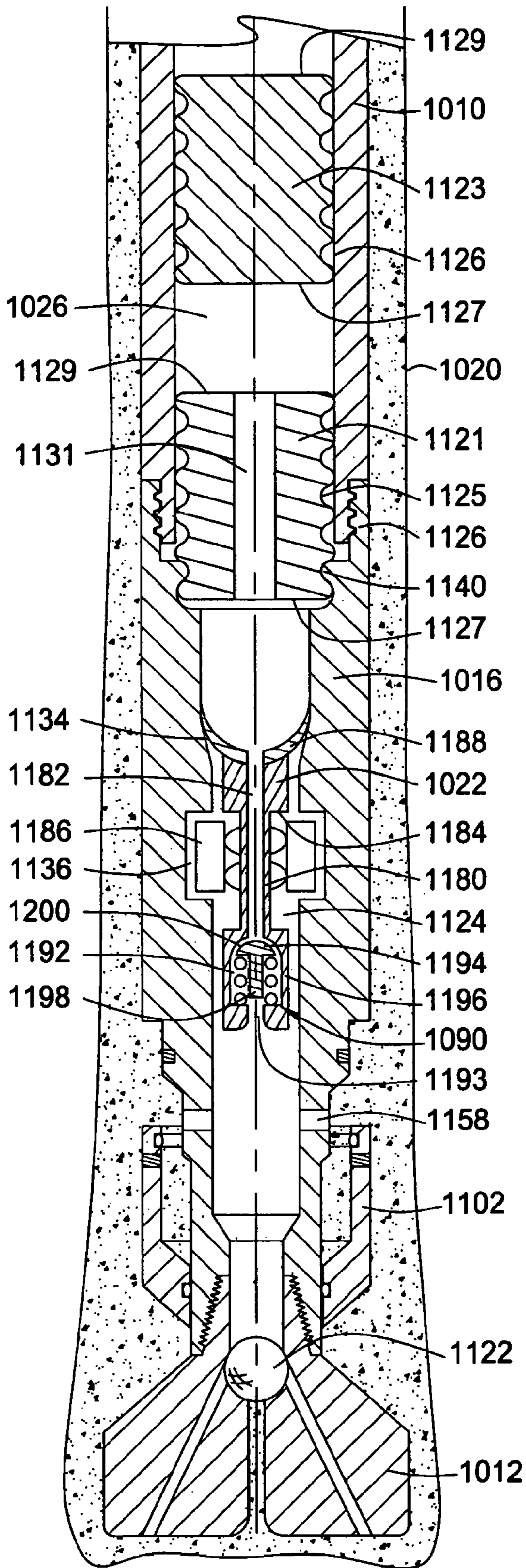


FIG. 71

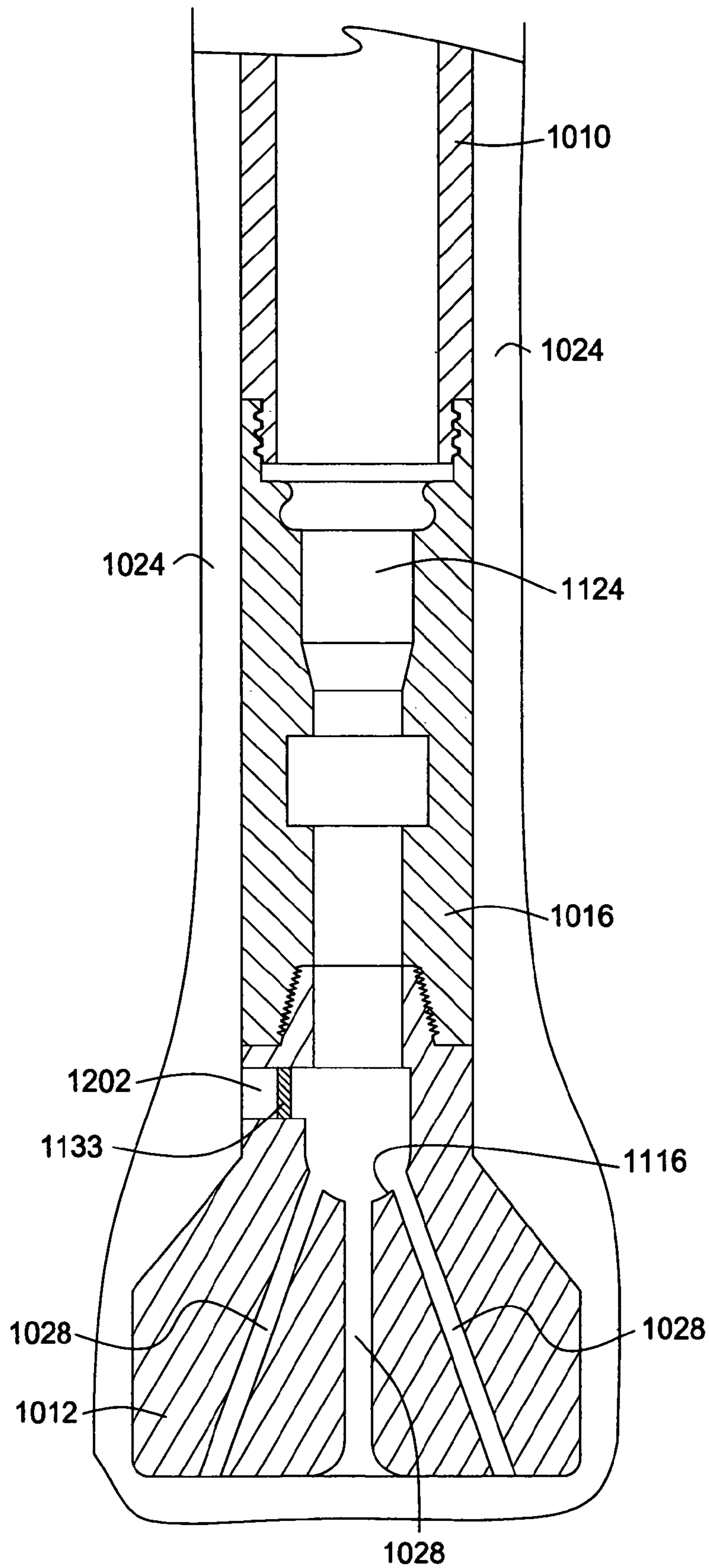
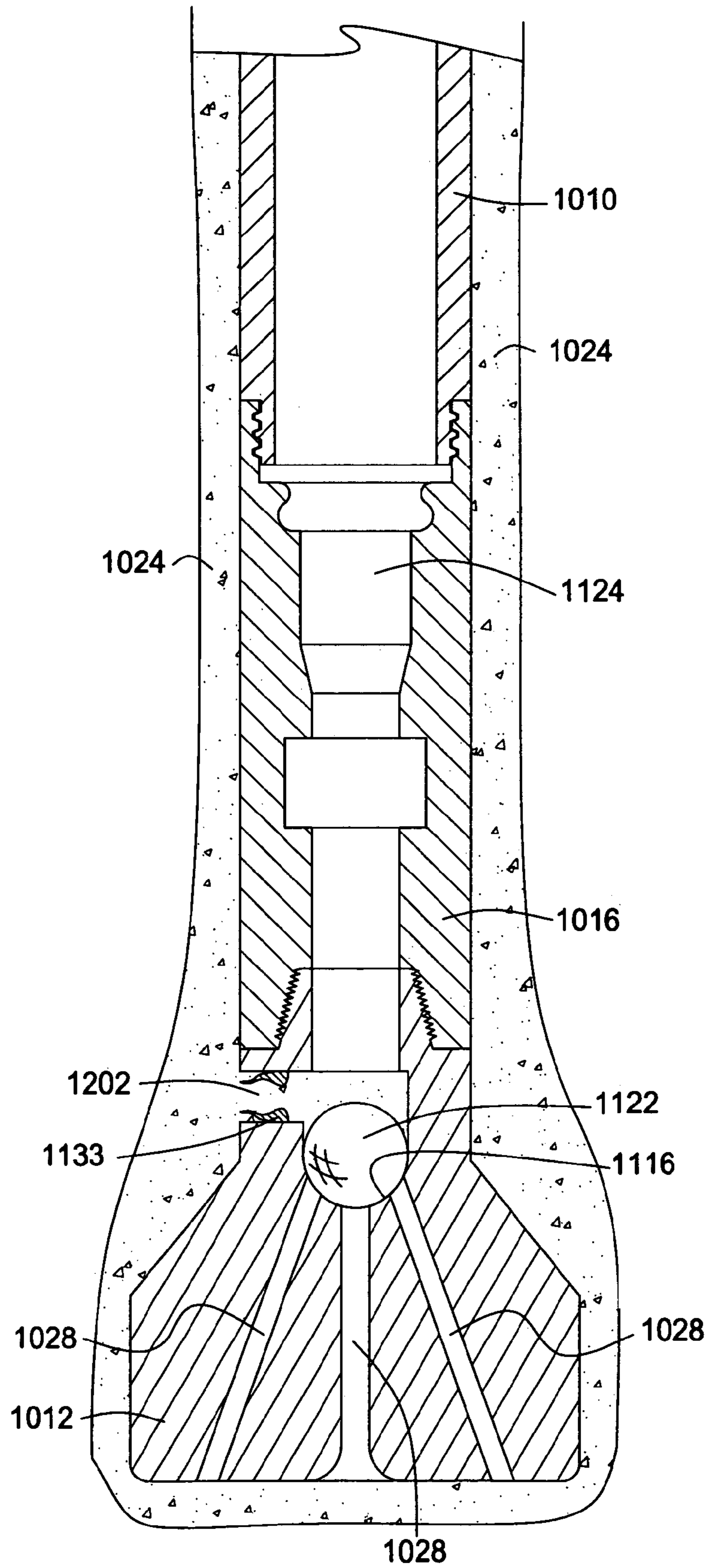


FIG. 72



**METHODS AND APPARATUS FOR
WELLBORE CONSTRUCTION AND
COMPLETION**

Matter enclosed in heavy brackets [] appears in the original patent but forms no part of this reissue specification; matter printed in italics indicates the additions made by reissue.

CROSS-REFERENCE TO RELATED
APPLICATIONS

[This application is a continuation-in-part of U.S. patent application Ser. No. 10/269,661 filed on Oct. 11, 2002, now U.S. Pat. No. 6,896,075 which application is herein incorporated by reference in its entirety. This application is also a continuation-in-part of U.S. patent application Ser. No. 10/325,636, filed on Dec. 20, 2002, now U.S. Pat. No. 6,854,533 which application is herein incorporated by reference in its entirety. This application is also a continuation-in-part of U.S. patent application Ser. No. 10/331,964, filed on Dec. 30, 2002, now U.S. Pat. No. 6,857,487 which application is herein incorporated by reference in its entirety.]

This application claims benefit of U.S. Provisional Patent Application Ser. No. 60/446,046, filed on Feb. 7, 2003, [and claims benefit of U.S. Provisional patent application Ser. No. 60/446,375, filed on Feb. 10, 2003, which applications are herein incorporated by reference in their entirety.] *which application is herein incorporated by reference in its entirety.*

[This application is also a continuation-in-part of U.S. patent application Ser. No. 09/914,338, filed Jan. 8, 2002, now U.S. Pat. No. 6,719,071 which was the National Stage of International Application No. PCT/GB00/00642, filed Feb. 25, 2000, and published under PCT Article 21(2) in English, and claims priority of United Kingdom Application No. 9904380.4 filed on Feb. 25, 1999. Each of the aforementioned related patent applications is herein incorporated by reference in its entirety. This application is also a continuation-in-part of U.S. patent application Ser. No. 10/156,722, filed May 28, 2002, now U.S. Pat. No. 6,837,313 and published as U.S. Publication No. 2003/0146001 on Aug. 7, 2003, which application is a continuation-in-part of U.S. patent application Ser. No. 09/914,338, filed Jan. 8, 2002, now U.S. Pat. No. 6,719,071 which applications are herein incorporated by reference in their entirety.]

BACKGROUND OF THE INVENTION

1. Field of the Invention

The present invention relates apparatus and methods for drilling and completing a wellbore. Particularly, the present invention relates to apparatus and methods for forming a wellbore, lining a wellbore, and circulating fluids in the wellbore. The present invention also relates to apparatus and methods for cementing a wellbore.

2. Description of the Related Art

In the drilling of oil and gas wells, a wellbore is formed using a drill bit that is urged downwardly at a lower end of a drill string. After drilling a predetermined depth, the drill string and bit are removed, and the wellbore is lined with a string of casing. An annular area is thus defined between the outside of the casing and the earth formation. This annular area is filled with cement to permanently set the casing in the wellbore and to facilitate the isolation of production zones and fluids at different depths within the wellbore.

It is common to employ more than one string of casing in a wellbore. In this respect, a first string of casing is set in the wellbore when the well is drilled to a first designated depth. The well is then drilled to a second designated depth and thereafter lined with a string of casing with a smaller diameter than the first string of casing. This process is repeated until the desired well depth is obtained, each additional string of casing resulting in a smaller diameter than the one above it. The reduction in the diameter reduces the cross-sectional area in which circulating fluid may travel. Also, the smaller casing at the bottom of the hole may limit the hydrocarbon production rate. Thus, oil companies are trying to maximize the diameter of casing at the desired depth in order to maximize hydrocarbon production. To this end, the clearance between subsequent casing strings having been trending smaller because larger subsequent casings are used to maximize production. When drilling with these small-clearance casings it is difficult, if not impossible, to circulate drilled cuttings in the small annulus formed between the set casing inner diameter and the subsequent casing outer diameter.

Typically, fluid is circulated throughout the wellbore during the drilling operation to cool a rotating bit and remove wellbore cuttings. The fluid is generally pumped from the surface of the wellbore through the drill string to the rotating bit. Thereafter, the fluid is circulated through an annulus formed between the drill string and the string of casing and subsequently returned to the surface to be disposed of or reused. As the fluid travels up the wellbore, the cross-sectional area of the fluid path increases as each larger diameter string of casing is encountered. For example, the fluid initially travels up an annulus formed between the drill string and the newly formed wellbore at a high annular velocity due to smaller annular clearance. However, as the fluid travels the portion of the wellbore that was previously lined with casing, the enlarged cross-sectional area defined by the larger diameter casing results in a larger annular clearance between the drill string and the cased wellbore, thereby reducing the annular velocity of the fluid. This reduction in annular velocity decreases the overall carrying capacity of the fluid, resulting in the drill cuttings dropping out of the fluid flow and settling somewhere in the wellbore. This settling of the drill cuttings and debris can cause a number of difficulties to subsequent downhole operations. For example, it is well known that the setting of tools, such as liner hangers, against a casing wall is hampered by the presence of debris on the wall.

To prevent the settling of the drill cuttings and debris, the flow rate of the circulating fluid may be increased to increase the annular velocity in the larger annular areas. However, the higher annular velocity also increases the equivalent circulating density ("ECD") and increases the potential of wellbore erosion. ECD is a measure of the hydrostatic head and the friction head created by the circulating fluid. The length of wellbore that can be formed before it is lined with casing sometimes depends on the ECD. The pressure created by ECD is sometimes useful while drilling because it can exceed the pore pressure of formations intersected by the wellbore and prevents hydrocarbons from entering the wellbore. However, too high an ECD can be a problem when it exceeds the fracture pressure of the formation, thereby forcing the wellbore fluid into the formations and hampering the flow of hydrocarbons into the wellbore after the well is completed.

Drilling with casing is a method of forming a borehole with a drill bit attached to the same string of tubulars that will line the borehole. In other words, rather than run a drill bit on smaller diameter drill string, the bit is run at the end of larger diameter tubing or casing that will remain in the wellbore and be cemented therein. The advantages of drilling with casing

are obvious. Because the same string of tubulars transports the bit and lines the borehole, no separate trip out of or into the wellbore is necessary between the forming of the borehole and the lining of the borehole. Drilling with casing is especially useful in certain situations where an operator wants to drill and line a borehole as quickly as possible to minimize the time the borehole remains unlined and subject to collapse or the effects of pressure anomalies. For example, when forming a sub-sea borehole, the initial length of borehole extending from the sea floor is much more subject to cave in or collapse as the subsequent sections of borehole. Sections of a borehole that intersect areas of high pressure can lead to damage of the borehole between the time the borehole is formed and when it is lined. An area of exceptionally low pressure will drain expensive drilling fluid from the wellbore between the time it is intersected and when the borehole is lined. In each of these instances, the problems can be eliminated or their effects reduced by drilling with casing.

The challenges and problems associated with drilling with casing are as obvious as the advantages. For example, each string of casing must fit within any preexisting casing already in the wellbore. Because the string of casing transporting the drill bit is left to line the borehole, there may be no opportunity to retrieve the bit in the conventional manner. Drill bits made of drillable material, two-piece drill bits, pilot bit and underreamer, and bits integrally formed at the end of casing string have been used to overcome the problems. For example, a two-piece bit has an outer portion with a diameter exceeding the diameter of the casing string. When the borehole is formed, the outer portion is disconnected from an inner portion that can be retrieved to the surface of the well. Typically, a mud motor is used near the end of the liner string to rotate the bit as the connection between the pieces of casing are not designed to withstand the tortuous forces associated with rotary drilling. Mud motors are sometimes operated to turn the bit (and underreamer) at adequate rotation rates to make hole, without having to turn the casing string at high rates, thereby minimizing casing connection fatigue accumulation. In this manner, the casing string can be rotated at a moderate speed at the surface as it is inserted and the bit rotates at a much faster speed due to the fluid-powered mud motor.

Another challenge for a drilling with casing operation is controlling ECD. Drilling with casing requires circulating fluid through the small annular clearance between the casing and the newly formed wellbore. The small annular clearance causes the circulating fluid to travel through the annular area at a high annular velocity. The higher annular velocity increases the ECD and may lead to a higher potential for wellbore erosion in comparison to a conventional drilling operation. Additionally, in small-clearance liner drilling, a smaller annulus is also formed between the set casing inner diameter and the drilling liner outer diameter, which further increases ECD and may prevent large drilled cuttings from being circulated from the well.

A need, therefore, exists for apparatus and methods for circulating fluid during a drilling operation. There is also a need for apparatus and methods for forming a wellbore and lining the wellbore in a single trip. There is a further need for an apparatus and methods for circulating fluid to facilitate the forming and lining of a wellbore in a single trip. They is yet a further need to cement the lined wellbore.

SUMMARY OF THE INVENTION

The present invention relates to time saving methods and apparatus for constructing and completing offshore hydrocar-

bon wells. In one embodiment, an offshore wellbore is formed when an initial string of conductor is inserted into the earth at the mud line. The conductor includes a smaller string of casing nested coaxially therein and selectively disengageable from the conductor. Also included at a lower end of the casing is a downhole assembly including a drilling device and a cementing device. The assembly including the conductor and the casing is "jetted" into the earth until the upper end of the conductor string is situated proximate the mud line. Thereafter, the casing string is unlatched from the conductor string and another section of wellbore is created by rotating the drilling device as the casing is urged downwards into the earth. Typically, the casing string is lowered to a depth whereby an annular area remains defined between the casing string and the conductor. Thereafter, the casing string is cemented into the conductor.

After the cement job is complete, a second string of smaller casing is run into the well with a drill string and an expandable bit disposed therein. Once the smaller casing is installed at a desired depth, the bit and drill string are removed to the surface and the second casing string is then cemented into place.

In one aspect, the present invention provides a method for lining a wellbore. The method includes providing a drilling assembly comprising an earth removal member and a wellbore lining conduit, wherein the drilling assembly includes a first fluid flow path and a second fluid flow path. The drilling assembly is manipulated to advance into the earth. The method also includes flowing a fluid through the first fluid flow path and returning at least a portion of the fluid through the second fluid flow path and leaving the wellbore lining conduit at a location within the wellbore. In one embodiment, the method also includes providing the drilling assembly with a third fluid flow path and flowing at least a portion of the fluid through the third fluid flow path. After drilling has been completed, the method may further include cementing the wellbore lining conduit.

In another embodiment, the drilling assembly further comprises a tubular assembly, a portion of the tubular assembly being disposed within the wellbore lining conduit. The method may further include relatively moving a portion of the tubular assembly and the wellbore lining conduit. In a further embodiment, the method may further comprise reducing the length of the drilling assembly. In yet another embodiment, the method includes advancing the wellbore lining conduit proximate a bottom of the wellbore.

In another aspect, the present invention provides an apparatus for lining a wellbore. The apparatus includes a drilling assembly having an earth removal member, a wellbore lining conduit, and a first end. The drilling assembly may include a first fluid flow path and a second fluid flow path there through, wherein a fluid is movable from the first end through the first fluid flow path and returnable through the second fluid flow path when the drilling assembly is disposed in the wellbore. In another embodiment, the drilling assembly further comprises a third fluid flow path.

In another aspect, the present invention provides a method for placing tubulars in an earth formation. The method includes advancing concurrently a portion of a first tubular and a portion of a second tubular to a first location in the earth. Thereafter, the second tubular is advanced to a second location in the earth. In one embodiment, the method may include advancing a portion of a third tubular to a third location. Additionally, at least a portion of one of the first and second tubulars may be cemented into place.

In another aspect, a method of drilling a wellbore with casing is provided. The method includes placing a string of

5

casing with a drill bit at the lower end thereof into a previously formed wellbore and urging the string of casing axially downward to form a new section of wellbore. The method further includes pumping fluid through the string of casing into an annulus formed between the string of casing and the new section of wellbore. The method also includes diverting a portion of the fluid into an upper annulus in the previously formed wellbore.

In another aspect, an apparatus for forming a wellbore is provided. The apparatus comprises a casing string with a drill bit disposed at an end thereof and a fluid bypass formed at least partially within the casing string for diverting a portion of fluid from a first to a second location within the casing string as the wellbore is formed.

In another aspect, the present invention provides a method of drilling with liner, comprising forming a wellbore with an assembly including an earth removal member mounted on a work string and a section of liner disposed therearound, the earth removal member extending below a lower end of the liner; lowering the liner to a location in the wellbore adjacent the earth removal member; circulating a fluid through the earth removal member; fixing the liner section in the wellbore; and removing the work string and the earth removal member from the wellbore.

In another aspect, the present invention provides a method of casing a wellbore, comprising providing a drilling assembly including a tubular string having an earth removal member operatively connected to its lower end, and a casing, at least a portion of the tubular string extending below the casing; lowering the drilling assembly into a formation; lowering the casing over the portion of the drilling assembly; and circulating fluid through the casing.

In another aspect, the present invention provides a method of drilling with liner, comprising forming a section of wellbore with an earth removal member operatively connected to a section of liner; lowering the section of liner to a location proximate a lower end of the wellbore; and circulating fluid while lowering, thereby urging debris from the bottom of the wellbore upward utilizing a flow path formed within the liner section.

In another aspect, the present invention provides a method of drilling with liner, comprising forming a section of wellbore with an assembly comprising an earth removal tool on a work string fixed at a predetermined distance below a lower end of a section of liner; fixing an upper end of the liner section to a section of casing lining the wellbore; releasing a latch between the work string and the liner section; reducing the predetermined distance between the lower end of the liner section and the earth removal tool; releasing the assembly from the section of casing; re-fixing the assembly to the section of casing at a second location; and circulating fluid in the wellbore.

In another aspect, the present invention provides a method of casing a wellbore, comprising providing a drilling assembly comprising a casing and a tubular string releasably connected to the casing, the tubular string having an earth removal member operatively attached to its lower end, a portion of the tubular string located below a lower end of the casing; lowering the drilling assembly into a formation to form a wellbore; hanging the casing within the wellbore; moving the portion of the tubular string into the casing; and lowering the casing into the wellbore.

In another aspect, the present invention provides a method of cementing a liner section in a wellbore, comprising removing a drilling assembly from a lower end of the liner section, the drilling assembly including an earth removal tool and a work string; inserting a tubular path for flowing a physically

6

alterable bonding material, the tubular path extending to the lower end of the liner section and including a valve assembly permitting the cement to flow from the lower section in a single direction; flowing the physically alterable bonding material through the tubular path and upwards in an annulus between the liner section and the wellbore therearound; closing the valve; and removing the tubular path, thereby leaving the valve assembly in the wellbore.

In another aspect, the present invention provides a method of drilling with liner, comprising providing a drilling assembly comprising a liner having a tubular member therein, the tubular member operatively connected to an earth removal member and having a fluid path through a wall thereof, the fluid path disposed above a lower portion of the tubular member; lowering the drilling assembly into the earth, thereby forming a wellbore; sealing an annulus between an outer diameter of the tubular member and the wellbore; and sealing a longitudinal bore of the tubular member; flowing a physically alterable bonding material through the fluid path, thereby preventing the physically alterable bonding material from entering the lower portion of the tubular member.

In another aspect, the present invention provides a method for placing tubulars in an earth formation comprising advancing concurrently a portion of a first tubular and a portion of a second tubular to a first location in the earth, and further advancing the second tubular to a second location in the earth.

In another aspect, the present invention provides a method of cementing a borehole, comprising extending a drill string into the earth to form the borehole, the drill string including an earth removal member having at least one fluid passage therethrough, the earth removal member operatively connected to a lower end of the drill string; drilling the borehole to a desired location using a drilling mud passing through the at least one fluid passage; providing at least one secondary fluid passage between the interior of the drill string and the borehole; and directing a physically alterable bonding material into an annulus between the drill string and the borehole through the at least one secondary fluid passage.

In another aspect, the present invention provides an apparatus for selectively directing fluids flowing down a hollow portion of a tubular element to selective passageways leading to a location exterior to the tubular element, comprising a first fluid passageway from the hollow portion of the tubular member to a first location; a second passageway from the hollow portion of the tubular member to a second location; a first valve member configurable to selectively block the first fluid passageway; a second valve member configured to maintain the second fluid passageway in a normally blocked condition; and the first valve member including a valve closure element selectively positionable to close the first valve member and thereby effectuate opening of the second valve member.

In another aspect, the present invention provides a method for lining a wellbore, comprising forming a wellbore with an assembly including an earth removal member mounted on a work string, a liner disposed around at least a portion of the work string, a first sealing member disposed on the work string, and a second sealing member disposed on an outer portion of the liner; lowering the liner to a location in the wellbore adjacent the earth removal member while circulating a fluid through the earth removal member; actuating the first sealing member; fixing the liner section in the wellbore; actuating the second sealing member; and removing the work string and the earth removal member from the wellbore.

At any point in the forgoing process, any of the strings can be expanded in place by well known expansion methods, like rolling or cone expansion. An example of a cone method is taught in U.S. Pat. No. 6,354,373, which is incorporated by

reference herein in its entirety. In simple terms, the cone is placed in a wellbore at the lower end of a tubular to be expanded. When the tubular is in place, the cone is urged upwards by fluid pressure, expanding the tubular on the way up. An example of a roller-type expander is taught in U.S. Pat. No. 6,457,532 which is incorporated by reference herein. In simple terms, the roller expander includes radially extendable roller members that are urged outwards due to fluid pressure to expand the walls of a tubular therearound past its elastic limits. Additionally, the apparatus can utilize ECD (Equivalent Circulation Density) reduction devices that can reduce pressure caused by hydrostatic head and the circulation of drilling fluid. Methods and apparatus for reducing ECD are taught in co-pending application Ser. No. 10/269,661. In simple terms, that application describes a device that is installable in a casing string and operates to redirect fluid flow traveling between the inner tubular and the annulus therearound. By adding energy to the fluid moving upwards in the annulus, the ECD is reduced to a safer level, thereby reducing the chance of formation damage and permitting extended lengths of borehole to be formed without stopping to case the wellbore. Energy can be added by a pump or by simply redirecting the fluid from the inside of the tubular to the outside.

Additionally, any of the strings of casing can be urged in a predetermined direction through the use of direction changing devices and methods like rotary steerable systems and bent housing steerable mud motors. Examples of rotary steerable systems usable with casing are shown and taught in U.S. application Ser. No. 09/848,900 which is published as U.S. 2001/0040054 A1 and is incorporated herein by reference. Additionally, any of the strings can include testing apparatus, like leak off testing and any can include sensing means for geophysical parameters like measurement while drilling (MWD) or logging while drilling (LWD). Examples of MWD are taught in U.S. Pat. No. 6,364,037 which is incorporated by reference in its entirety herein.

BRIEF DESCRIPTION OF THE DRAWINGS

So that the manner in which the above recited features of the present invention can be understood in detail, a more particular description of the invention, briefly summarized above, may be had by reference to embodiments, some of which are illustrated in the appended drawings. It is to be noted, however, that the appended drawings illustrate only typical embodiments of this invention and are therefore not to be considered limiting of its scope, for the invention may admit to other equally effective embodiments.

FIG. 1 shows an embodiment of the drilling system according to aspects of the present invention. The drilling system is shown in the run-in position.

FIG. 1A is a cross-sectional view of FIG. 1 taken along line 1A-1A.

FIG. 2 is an exploded view of the releasable connection for connecting the first casing to the housing of FIG. 1.

FIG. 3 is a view of the drilling system after the housing has been jettied in.

FIG. 4 is a view of the drilling system after the first casing has been lowered relative to the housing.

FIG. 5 is a view of the drilling system after the cementing operation is completed.

FIG. 6 is a view of the drilling system with a survey tool disposed therein.

FIG. 7 is a view of a second drilling system according to aspects of the present invention.

FIG. 7A is a cross sectional view of the drilling assembly.

FIG. 8 is a view of the second drilling system after drilling is completed.

FIG. 9 is a view of the second drilling system showing the liner hanger at the beginning of the setting sequence.

FIG. 10 shows a view of the second drilling after the liner has been set.

FIG. 11 is a view of the second drilling system showing the full opening tool in the open position.

FIG. 12 is a view of the second drilling system after the cementing operation has completed.

FIG. 12A is an exploded view of the full opening tool in the actuated position.

FIG. 13 shows another embodiment of the second drilling system according to aspects of the present invention.

FIG. 13A shows the bypass member of the second drilling system of FIG. 13.

FIG. 14 shows the second drilling system of FIG. 13 after the bypass ports have been closed.

FIG. 15 shows the second drilling system of FIG. 13 after the liner hanger has been set.

FIG. 16 shows the second drilling system of FIG. 13 after the BHA has been pulled up and the internal packer has been inflated.

FIG. 17 shows the second drilling system of FIG. 13 after the dart has closed the cementing ports and the external casing packer has been inflated.

FIG. 18 shows the second drilling system of FIG. 13 after internal packer has been deflated.

FIG. 19 shows the second drilling system of FIG. 13 after the BHA has been retrieved and the liner hanger packer has been set.

FIG. 20 shows another embodiment of the second drilling system according to aspects of the present invention.

FIG. 20A is a perspective view of the bypass member of the second drilling system of FIG. 20.

FIG. 21 shows the second drilling system of FIG. 20 after the bypass ports have been closed.

FIG. 22 shows the second drilling system of FIG. 20 after liner hanger has been set.

FIG. 23 shows the second drilling system of FIG. 20 after BHA has been retrieved and the deployment valve has closed.

FIG. 24 shows the second drilling system of FIG. 20 after a cement retainer has been inserted above the deployment valve.

FIG. 25 shows another embodiment of the second drilling system according to aspects of the present invention.

FIG. 25A is a perspective view of the bypass member of the second drilling system of FIG. 25.

FIG. 26 shows the second drilling system of FIG. 25 after bypass ports have been closed.

FIG. 27 shows the second drilling system of FIG. 25 after the liner hanger has been set.

FIG. 28 shows the second drilling system of FIG. 25 after a packer assembly has latched into the second casing string.

FIG. 29 shows the second drilling system of FIG. 25 after single direction plug has been set.

FIG. 30 shows an embodiment of a liner assembly according to aspects of the present invention.

FIG. 30A shows a fluid bypass assembly suitable for use with the liner assembly of FIG. 30.

FIG. 31 shows the liner assembly of FIG. 30 after latch has been released.

FIG. 32 shows the liner assembly of FIG. 30 after the ball has been pumped into the baffle.

FIG. 33 shows the liner assembly of FIG. 30 after the liner has been reamed down over the BHA.

FIG. 34 shows the liner assembly of FIG. 30 after the hanger has been actuated.

FIG. 35 shows the liner assembly of FIG. 30 after the running assembly is partially retrieved.

FIG. 36 shows another embodiment of a liner assembly according to aspects of the present invention.

FIG. 37 shows the liner assembly of FIG. 36 after the hanger has been set.

FIG. 38 shows the liner assembly of FIG. 30 after running tool has been released.

FIG. 39 shows the liner assembly of FIG. 30 after the BHA has been retracted.

FIG. 40 shows the liner assembly of FIG. 30 after the hanger has been released.

FIG. 41 shows the liner assembly of FIG. 30 after liner is drilled down to bottom.

FIG. 42 shows the liner assembly of FIG. 30 after the hanger has been reset.

FIG. 43 shows the liner assembly of FIG. 30 after the secondary latch has been released.

FIG. 44 shows the liner assembly of FIG. 30 after it is partially retrieved.

FIG. 45 shows cementing assembly according to aspects of the present invention. The cementing assembly is suitable to perform a cementing operation after wellbore has been lined using the methods disclosed in FIGS. 30-35 or FIGS. 36-44.

FIG. 46 shows the cementing assembly of FIG. 45 as the cement is chased by a dart.

FIG. 47 shows the cementing assembly of FIG. 45 after the circulating ports have been opened.

FIG. 48 shows the cementing assembly of FIG. 45 after weight is stacked on top of the liner.

FIG. 49 shows the cementing assembly of FIG. 45 after the packer has been set and the work string of the cementing assembly has been retrieved.

FIG. 50 shows an embodiment of a liner assembly for lining and cementing the liner in one trip.

FIG. 50A is a cross sectional view of the liner assembly of FIG. 50 taken at line A-A.

FIG. 51 shows the liner assembly of FIG. 50 after the hanger has been set.

FIG. 52 shows the liner assembly of FIG. 50 after the BHA is coupled to the casing sealing member.

FIG. 53 shows the liner assembly of FIG. 50 after second sealing member has been inflated.

FIG. 54 shows the liner assembly of FIG. 50 after the first dart has landed.

FIG. 55 shows the liner assembly of FIG. 50 after circulation sub has been opened for cementing.

FIG. 56 shows the liner assembly of FIG. 50 after second dart has landed.

FIG. 57 shows the liner assembly of FIG. 50 after the casing sealing member has been inflated.

FIG. 58 shows the liner assembly of FIG. 50 after the second sealing member has been deactuated.

FIG. 59 shows the liner assembly of FIG. 50 liner assembly during retrieval.

FIG. 60 is a cross-sectional view of a drilling assembly having a flow apparatus disposed at the lower end of the work string.

FIG. 61 is a cross-sectional view of a drilling assembly having an auxiliary flow tube partially formed in a casing string.

FIG. 62 is a cross-sectional view of a drilling assembly having a main flow tube formed in the casing string.

FIG. 63 is a cross-sectional view of a drilling assembly having a flow apparatus and an auxiliary flow tube combination in accordance with the present invention.

FIG. 64 is a cross-sectional view of a drilling assembly having a flow apparatus and a main flow tube combination in accordance with the present invention.

FIG. 65 is a cross-sectional view of a diverting apparatus used for expanding a casing.

FIG. 66 is a cross-sectional view of the diverting apparatus of FIG. 65 in the process of expanding the casing.

FIG. 67 is a schematic view of a wellbore, showing a prior art drill string in a downhole location suspended from a drilling platform.

FIG. 68 is a sectional view of the drill string, showing a first embodiment of the present invention.

FIG. 69 is a further view of the drill string as shown in FIG. 68, showing the drill string positioned for cementing operations.

FIG. 70 is a further view of the drill string as shown in FIG. 69, showing the drill string after cementing thereof has occurred.

FIG. 71 is a sectional view of the drill string, showing an additional embodiment of the present invention.

FIG. 72 is a further view of the drill string of FIG. 71, showing the drill string after cementing has occurred.

DETAILED DESCRIPTION OF THE PREFERRED EMBODIMENT

FIG. 1 is a cross-sectional view of one embodiment of the drilling system 100 of the present invention in the run-in position. The drilling system 100 includes a first casing string 10 disposed in a housing 20 such as a conductor pipe and selectively connected thereto. The housing 20 defines a tubular having a larger diameter than the first casing string 10. Embodiments of the housing 20 and the first casing string 10 may include a casing, a liner, and other types of tubular disposable downhole. Preferably, the housing 20 and the first casing string 10 are connected using a releasable connection 200 that allows axial and rotational forces to be transmitted from the first casing string 10 to the housing 20. An exemplary releasable connection 200 applicable to the present invention is shown in FIG. 2 and discussed below. The housing 20 may include a mud matt 25 disposed at an upper end of the housing 20. The mud matt 25 has an outer diameter that is larger than the outer diameter of the housing 20 to allow the mud matt 25 to sit atop a surface, such as a mud line on the sea floor 2, in order to support the housing 20.

The drilling system 100 may also include an inner string 30 disposed within the first casing string 10. The inner string 30 may be connected to the first casing string 10 using a releasable latch mechanism 40. During operation, the latch mechanism 40 may seat in a landing seat 27 provided in an upper end of the housing 20. An example of an appropriate latch mechanism usable with the present invention includes a latch mechanism such as ABB VGI Fullbore Wellhead manufactured by ABB Vetco. At one end, the inner string 30 may be connected to a drill string 5 that leads back to the surface. At another end, the inner string 30 may be connected to a stab-in collar 90.

Disposed at a lower end of the first casing string 10 is a drilling member or earth removal member 60 for forming a borehole 7. Preferably, an outer diameter of the drilling member 60 is larger than an outer diameter of the first casing string 10. The drilling member 60 may include fluid channels 62 for circulating fluid. In another embodiment, the fluid channels 62, or nozzles, may be adapted for directional drilling. An

11

exemplary drilling member **60** having such a nozzle is disclosed in co-pending U.S. patent application filed Feb. 2, 2004, which application is herein incorporated by reference in its entirety. A centralizer **55** may be utilized to keep the drilling member **60** centered. The first casing string **10** may also include a float collar **50** having an orienting device **52**, such as a mule shoe, and a survey seat **54** for maintaining a survey tool.

The inner string **30** may include a ball seat **70**, a ball receiver **80**, and a stab-in collar **90** at its lower end. Preferably, the ball seat **70** is an extrudable ball seat **70**, wherein a ball **72** disposed may be extruded therethrough. In one example, the ball seat **70** may be made of brass. Aspects of the present invention contemplate other types of extrudable ball seat **70** known to a person of ordinary skill in the art. The ball seat **70** may also include ports **74** for fluid communication between an interior of the inner string **30** and an annular area **12** between the inner string **30** and the first casing string **10**. The ports **74** may be opened or closed using a selectively connected sliding sleeve **76** as is known in the art. The ball receiver **80** is disposed below the ball seat **70** in order to receive the ball **72** after it has extruded through the ball seat **70**. The ball receiver **80** receives the ball **72** and allows fluid communication in the inner string **30** to be re-established.

Disposed below the ball seat **70** is a stab-in collar **90**. Preferably, the stab-in collar **90** includes a stinger **93** selectively connected to a stinger receiver **94**. During operation, the stinger **93** may be caused to disconnect from the stinger receiver **94**.

Shown in FIG. **2** is an embodiment of the releasable connection **200** capable of selectively connecting the housing **20** to the first casing string **10**. The connection **200** includes an inner sleeve **210** disposed around the first casing string **10**. A piston **215** is disposed in an annular area **220** between the inner sleeve **210** and the first casing string **10**. The piston **215** is temporarily connected to the inner sleeve **210** using a shearable pin **230**. A port **225** is formed in the first casing string **10** for fluid communication between the interior of the first casing string **10** and the annular area **220**. The inner sleeve **210** is selectively connected to an outer sleeve **235** using a locking dog **240**. The outer sleeve **235** is connected to the housing **20** using a biasing member **245** such as a spring loaded dog **245**. The outer sleeve **235** may optionally be connected to the housing **20** using an emergency release pin **250**. A locking dog profile **255** is formed on the piston **215** for receiving the locking dog **240** during operation. In another embodiment, the releasable connection includes a J-slot release as is known to a person of ordinary skill in the art.

FIG. **1A** is a cross-sectional view of FIG. **1** taken along line **1A-1A**. It can be seen that releasable connection **200** is fluid bypass member **17**. The bypass member **17** may comprise one or more radial spokes circumferentially disposed between the first casing string **10** and the housing **20**. In this respect, one or more bypass slots are formed between the spokes for fluid flow therethrough. The fluid bypass member **17** allows fluid to circulate during wellbore operations, as described below.

In operation, the drilling system **100** of the present invention is partially lowered into the sea floor **2** as shown in FIG. **1**. The drilling system **100** is initially inserted into the sea floor **2** using a jetting action. Particularly, fluid is pumped through the inner string **30** and exits the flow channels **62** of the drilling member **60**. The fluid may create a hole in the sea floor **2** to facilitate the advancement of the drilling system **100**. At the same time, the drilling system **100** is reciprocated axially to cause the housing **20** to be inserted into the sea floor **2**. The drilling system **100** is inserted into the sea floor **2** until

12

the mud matt **25** at the upper end of the housing **20** is situated proximate the mud line of the sea floor **2** as shown in FIG. **3**.

The first casing string **10** is now ready for release from the housing **20**. At this point, a ball **72** is dropped into the inner string **30** and lands in the ball seat **70**. After seating, the ball **72** blocks fluid communication from above the ball **72** to below the ball **72** in the inner string **30**. As a result, fluid in the inner string **30** above the ball **72** is diverted out of the ports **74** in the ball seat **70**. This allows pressure to build up in the annular area **12** between the inner string **30** and the first casing string **10**.

The fluid in the annular area **12** may be used to actuate the releasable connection **200**. Specifically, fluid in the annular area **12** flows through the port **225** in the first casing string **10** and into the annular area **220** between inner sleeve **210** and the first casing string **10**. The pressure increase causes the shearable pin **230** to fail, thereby allowing the piston **215** to move axially. As the piston **215** moves, the locking dog profile **255** slides under the locking dog **240**, thereby allowing the locking dog **240** to move away from the outer sleeve **235** and seat in the locking dog profile **255**. In this respect, the inner sleeve **210** is freed to move independently of the outer sleeve **235**. In this manner, the first casing string **10** is released from the housing **20**.

Thereafter, the pressure is increased above the ball **72** to extrude the ball **72** from the ball seat **70**. The ball **72** falls through the ball seat **70**, through the stab-in collar **90**, and lands the ball receiver **80**, as shown in FIG. **4**. This, in turn, re-opens fluid communication from the inner string **30** to the drilling member **60**. In addition, the increase in pressure causes the sliding sleeve **76** of the ball seat **70** to close the ports **74** of the ball seat **70**.

The drilling member **60** is now actuated to drill a borehole **7** below the housing **20**. The outer diameter of the drilling member **60** is such that an annular area **97** is formed between the borehole **7** and the first casing string **10**. Fluid is circulated through the inner string **30**, the drilling member **60**, the annular area **97**, the housing **20**, and the bypass members **17**. The depth of the borehole **7** is determined by the length of the first casing string **10**. The drilling continues until the latch mechanism **40** on the first casing string **10** lands in the landing seat **27** disposed at the upper end of the housing **20** as shown in FIG. **5**.

Thereafter, a physically alterable bonding material such as cement is pumped down the inner string **30** to set the first casing string **10** in the wellbore. The cement flows out of the drilling member **60** and up the annular area **97** between the borehole **7** and the first casing string **10**. The cement continues up the annular area **97** and fills the annular area between the housing **20** and the first casing string **10**. When the appropriate amount of cement has been supplied, a dart **98** is pumped in behind the cement, as shown in FIG. **5**. The dart **98** ultimately positions itself in the stinger **93**. Thereafter, the latch **40** is release from the housing **20** and the first casing string **10**. Then the drill string **5** and the inner string **30** are removed from the first casing string **10**. The inner string **30** is separated from the stab-in collar **90** by removing the stinger **93** from the stinger receiver **94**. The stinger **93** is removed with the inner string **30** along with the ball seat **70**.

In another aspect, a wellbore survey tool **96** landed on orientation seat **52** may optionally be used to determine characteristics of the borehole before the cementing operation as illustrated in FIG. **6**. The survey tool **96** may contain one or more geophysical sensors for determining characteristics of the borehole. The survey tool **96** may transmit any collected

13

information to surface using wireline telemetry, mud pulse technology, or any other manner known to a person of ordinary skill in the art.

In another aspect, the present invention provides methods and apparatus for hanging a second casing string **120** from the first casing string **10**. Shown in FIG. 7 is a second drilling system **102** at least partially disposed within the first casing string **10**. In addition to the second casing string **120**, the second drilling system **102** includes a drill string **110** and a bottom hole assembly **125** disposed at a lower end thereof. The bottom hole assembly **125** may include components such as a mud motor; logging while drilling system; measure while drilling systems; gyro landing sub; any geophysical measurement sensors; various stabilizers such as eccentric or adjustable stabilizers; and steerable systems, which may include bent motor housings or 3D rotary steerable systems. The bottom hole assembly **125** also has a earth removal member or drilling member **115** such as a pilot bit and underreamer combination, a bi-center bit with or without an underreamer, an expandable bit, or any other drilling member that may be used to drill a hole having a larger inner diameter than the outer diameter of any component disposed on the drill string **110** or the first casing string **10**, as is known in the art. The drilling member **115** may include nozzles or jetting orifices for directional drilling. As shown, the drilling member **115** is an expandable drill bit **115**.

The drill string **110** may also include a first ball seat **140** having bypass ports **142** for fluid communication between an interior of the drill string **110** and an exterior of the second casing string **120**. As shown in FIG. 7A, the first ball seat **140** comprises a fluid bypass member **145**. Preferably, the bypass ports **142** are disposed within the spokes of the bypass member **145**. The spokes extend radially from the drill string **110** to the annular area **146** between the first casing string **10** and the second casing string **120**. The spokes are adapted to form one or more bypass slots **147** for fluid communication along the interior of the second casing string **120**. Specifically, bypass member **145** is shown with four spokes are shown in FIG. 7A. A sealing member **148** may be disposed in the annular area **146** at an upper portion of the second casing string **120** to block fluid communication between the annular area **146** and the interior of the first casing string **10** above the second casing string **120**. In one embodiment, the first ball seat **140** may be an extrudable ball seat.

The drill string **110** further includes a liner hanger assembly **130** disposed at an upper end thereof. The liner hanger **130** temporarily connects the drill string **110** to the second casing string **120** by way of a running tool and may be used to hang the second casing string **120** off of the first casing string **10**. The liner hanger **130** includes a sealing element and one or more gripping members. An example of suitable sealing element is a packer, and an example of a suitable gripping member is a radially extendable slip mechanism. Other types of suitable sealing elements and gripping members known to a person of ordinary skill in the art are also contemplated.

The liner hanger **130** is placed in fluid communication with a second ball seat **135** disposed on the drill string **110**. The second ball seat **135** comprises a fluid bypass member. Fluid may be supplied through ports **137** to actuate the slips of the liner hanger **130**. The packing element may be set when the slips are set or mechanically set when the drill string **110** is retrieved. Preferably, the packing element is set hydraulically when the slips are set. In one embodiment, the second ball seat **135** is an extrudable ball seat similar to the ones described above.

The second drilling system **102** may also include a full opening tool **150** disposed on the second casing string **120** for

14

cementing operations. The full opening tool **150** is actuated by an actuating tool **160** disposed on the drill string **110**. The actuating tool **160** may also comprise a fluid bypass member **145**. The spokes of the actuating tool **160** may also contain cementing ports **170**. The bypass slots **147** disposed between the spokes allow continuous fluid communication axially along the interior of the second casing string **120**. It must be noted that the spokes of the bypass members **145** discussed herein may comprise other types of support member of design capable of allowing fluid flow in an annular area as is known to a person of ordinary skill in the art. The actuating tool **160** includes a sleeve **162** having sealing cups **164** disposed at each end. The sealing cups **164** enclose an annular area **167** between the sleeve **162** and the second casing string **120**. Disposed between the sealing cups are upper and lower collets **166** for opening and closing the ports **155** of the full opening tool **150**, respectively.

A third ball seat **180** is disposed on the drill string **110** and in fluid communication with the annular area **167** between the sealing cups **164**. The ball seat **180** is a fluid bypass member **175** having one or more bypass ports **170** for fluid communication between the interior of the drill string **110** and the enclosed annular area **167**. The drill string **110** may further include circulating ports **185** disposed above the third ball seat **180**. FIG. 12A in an exploded view of full opening tool **150** actuated by the actuating tool **160**.

The drill string **110** may further include a centralizer **190** or a stabilizer. The centralizer **190** may also comprise a fluid bypass member. Preferably, the spokes of the centralizer **190** do not have bypass ports. The bypass slots disposed between the spokes allow continuous fluid communication axially along the interior of the second casing string **120**. It must be noted that the spokes of the bypass members discussed herein may comprise other types of support member or design capable of allowing fluid flow in an annular area as is known to a person of ordinary skill in the art. In one embodiment, the centralizer **190** may comprise a bladed stabilizer.

In operation, the second drilling system **102** is lowered into the first casing string **10** as illustrated in FIG. 7. In this embodiment, the second drilling system **102** is actuated to drill through the drilling member **60** of the first drilling system **100**. The expandable bit **115** may be expanded to form a borehole **105** larger than an outer diameter of the second casing string **120**. The bit **115** continues to drill until it reaches a desired depth in the wellbore to hang the second casing string **120** as shown in FIG. 8. During drilling, some of the fluid is allowed to flow out of the ports **142** in the first ball seat **140** and into the annular area **146** between the first and second casing string **10**, **120**. The position of the sealing member **148** forces the diverted fluid in the annular area **146** to flow downward in the wellbore. The advantages of the diverted fluid include lubricating the casing string **120** and helps remove cuttings from the borehole **105**. Fluid in the lower portion of the wellbore is circulated up the wellbore inside the second casing string **120**. The bypass members **145**, **175** disposed along the second casing string **120** allow the circulated fluid, which may contain drill cuttings, to travel axially inside the second casing string **120**. In this respect, fluid may be circulated inside the second casing string **120** instead of the small annular area between the second casing string **120** and the newly formed wellbore. In this manner, fluid circulation problems associated with drilling and lining the wellbore in one trip may be alleviated.

When the drilling stops, a ball is dropped into the first ball seat **140** as shown in FIG. 8. Pressure is increased to extrude the ball through the first ball seat **140** and close off the ports **142** of the first ball seat **140**. The ball is allowed to land in a

15

ball catcher (not shown) in the drill string 110. Alternatively, the ball may land in the second ball seat 135.

If the ball does not land in the second ball seat 135, a second ball may be dropped into the second ball seat 135 of the liner hanger assembly 130 as shown in FIG. 9. Preferably, the second ball is larger in size than the first ball. After the ball seats, pressure is supplied to the liner hanger 130 through the ball seat ports 137 to actuate the liner hanger 130. Initially, the packer is set and the slip mechanism is actuated to support the weight of the second casing string 120. Thereafter, the pressure is increased to disengage the drill string 10 from the second casing string 120, thereby freeing the drill string 110 to move independently of the second casing string 120 as shown in FIG. 10. The ball is allowed to extrude the second ball seat 135 and land in the ball catcher in the drill string 110.

Thereafter, the drill string 110 is axially traversed to move the actuating tool 160 relative to the full opening tool 150. As the actuating tool 160 is pulled up, the upper collets 166 of the actuating tool 160 grab a sleeve in the full opening tool 150 to open the ports 155 of the opening tool 150 for cementing operation as shown in FIG. 11. Preferably, the drill string 110 is pulled up sufficiently so that the bottom hole assembly 125 with bit 115 is above the final height of the cement.

A third ball, or a second ball if the first ball was used to activate both the first and second ball seats 135, 140, is now dropped into the third ball seat 180 to close off communication below the drill string 110. Fluid may now be pumped down the drill string 110 and directed through ports 170. Initially, a counterbalance fluid is pumped in ahead of the cement in order to control the height of the cement. Thereafter, cement supplied to the drill string 110 flows through ports 170 and 155 of the full opening tool 150 and exits into the annular area between the borehole 105 and the second casing string 120. The sealing cups 164 ensure the cement between the upper and lower collets 166 exit through the port 155. The cement travels down the exterior of the second casing string 120 and comes back up through the interior of the second casing string 120. The fluid bypass capability of the actuating tool 160 and the centralizer 190 facilitate the movement of fluids in the second casing string 120. Preferably, the height of the cement in the second casing string 120 is maintained below the drill bit 115 by the counterbalance fluid. In this respect, the bottom hole assembly 125, which may include the drilling member 115, the motor, LWD tool, and MWD tool may be preserved and retrieved for later use.

After a sufficient amount of cement has been supplied, a dart 104 is pumped in behind the cement as shown in FIG. 12. The dart 104 lands above the ball in the third ball seat 180, thereby closing off fluid communication to the full open tool 150. Additionally, the landing of the dart 104 opens the circulating ports 185 of the drill string 110. Once opened, fluid may optionally be circulated in reverse, i.e., down the exterior of the drill string 110 and up the interior of the drill string 110, to clean the interior of drill string 110 and remove the cement. Thereafter, the drill string 110, including the bottom hole assembly 125, may be removed from the second casing string 120. In this manner, a wellbore may be drilled, lined, and cemented in one trip.

FIG. 13-19 show another embodiment of the second drilling system according to aspects of the present invention. The second drilling system 302 includes a second casing string 320, a drill string 310, and a bottom hole assembly 325. Similar to the embodiment shown in FIG. 7, the drill string 310 is equipped with a second ball seat 335 and a hydraulically actuatable liner hanger assembly 330. The liner hanger 330 includes a liner hanger packing element and slip mechanisms as is known to a person of ordinary skill in the art. The

16

drill string 310 also includes a first ball seat 340 coupled to a bypass member 345 having bypass ports 337 in fluid communication with the drill string 310 and the annulus 346 between the second casing string 320 and the first casing string 10. Preferably, the spokes of the bypass member 345 are arranged are shown in FIG. 13A. A sealing member 348 is used to block fluid communication between the annulus 346 and the interior of the first casing string 10 above the second casing string 320. Because many of the components in FIG. 13 are substantially the same as the components shown and described in FIG. 7, the above description and operation of the similar components with respect to FIG. 7 apply equally to the components of FIG. 13.

The second drilling system 302 utilizes one or more packers to facilitate the cementing operation. In one embodiment, the second drilling system 302 includes an external casing packer 351 located near the bottom of the outer surface of the second casing string 320. Preferably, the external packer 351 comprises a metal bladder inflatable packer. The external packer 351 may be inflated using gases generated by mixing one or more chemicals. In one embodiment, the chemicals are mixed together by an internal packer system that is activated by mud pulse signals sent from the surface.

The second drilling system 302 also includes an internal packer 352 disposed on the drill string 310 adapted to close off fluid communication in the annulus between the drill string 310 and the second casing string 320. Preferably, the internal packer 352 comprises an inflatable packer and is disposed above one or more cementing ports 370. The inflation port of the internal packer 352 may be regulated by a selectively actuatable sleeve. In one embodiment, one or both of the packers 351, 352 may be constructed of an elastomeric material. It is contemplated that other types of selectively actuatable packers or sealing members may be used without deviating from aspects of the present invention.

In operation, the drill string 310 is operated to advance the second casing string 320 as shown in FIG. 13. During drilling, return fluid is circulated up to the surface through the interior of the second casing string 320. The return fluid may include the diverted fluid in the annulus 346 between the first casing string 10 and the second casing string 320.

After a desired interval has been drilled, a ball is dropped to close off the bypass ports 337 of the bypass member 345, as illustrated in FIG. 14. Thereafter, the ball may extrude through the first ball seat 340 to land in the second ball seat 335, as shown in FIG. 15. Alternatively, a second ball may be dropped to land in the second ball seat 335. Pressure is supplied to set the liner hanger 330 to hang the second casing string 320 off of the first casing string 10. However, the liner hanger packing element is not set. Then, the running tool is released from the liner hanger 330, as shown in FIG. 15. The ball in the second ball seat 335 may be forced through to land in a ball catcher (not shown). Thereafter, the drill string 310 is pulled up until the BHA 325 is inside the second casing string 320, as shown in FIG. 16.

The cementing operation is initiated when another ball dropped in the drill string 310 lands in the third ball seat 380. The ball shifts the sleeve to expose the inflation port of the internal casing packer 352. Then, the internal packer 352 is inflated to block fluid communication in the annulus between the drill string 310 and the second casing string 320. After inflation, pressure is increased to shift the sleeve down to open the cementing port. In this respect, fluid is circulated down the drill string 310, out the port(s) 370, down the annulus between the second casing string 320 and the bottom hole

assembly **325** to the bottom of the second casing string **320**, and up the annulus between the second casing string **320** and the borehole.

In FIG. **17**, cement is pumped down the drill string **310** followed by a latch in dart **377**. After the dart **377** latches in to signal cement placement, mud pulse is sent from the surface to cause the external casing packer **351** to inflate. Once inflated, the external casing packer **351** holds the cement between the second casing string **320** and the borehole in place.

Pressure is applied on the dart **377** to cause the sleeve to shift further, which, in turn, causes the internal packer **352** to deflate, as shown in FIG. **18**. Additionally, shifting the sleeve opens the circulation port for reverse circulation. Fluid is then reverse circulated to remove excess cement from the interior of the drill string **310**.

Upon completion, the drill string **310** is pulled out of the second casing string **320** to retrieve the BHA **325**, as shown in FIG. **19**. The liner hanger packer is set as the drill string **310** is retrieved.

FIG. **20** shows another embodiment of the second drilling system according to aspects of the present invention. The second drilling system **402** includes a second casing string **420**, a drill string **410**, and a bottom hole assembly **425**, which is shown in FIG. **23**. Similar to the embodiment shown in FIG. **7**, the drill string **410** is equipped with a second ball seat **435** and a hydraulically actuatable liner hanger assembly **430**. The liner hanger **430** includes a liner hanger packing element **432** and slip mechanisms **434** as is known to a person of ordinary skill in the art. The drill string **410** also includes a first ball seat **440** coupled to a bypass member **445** having bypass ports **437** in fluid communication with the drill string **410** and the annulus **446** between the second casing string **420** and the first casing string **10**. Preferably, the spokes of the bypass member **445** are arranged as shown in FIG. **20A**. A sealing member **448** is used to block fluid communication between the annulus **446** and the interior of the first casing string **10** above the second casing string **420**. Because many of the components in FIG. **20**, e.g., the first and second ball seats **435**, **440**, are substantially the same as the components shown and described in FIG. **7**, the above description and operation of the similar components with respect to FIG. **7** apply equally to the components of FIG. **20**.

The second drilling system **402** features a deployment valve **453** disposed at a lower end of the second casing string **420**. In one embodiment, the deployment valve **453** is adapted to allow fluid flow in one direction and is an integral part of the second casing string **420**. Preferably, the deployment valve **453** is actuated using mud pulse technology.

The second drilling system **402** may also include a full opening tool **450** disposed on the second casing string **420**. The full opening tool **450** comprises a casing port **455** disposed in the second casing string **420** and an alignment port **456** disposed on a flow control sleeve **454**. The flow control sleeve **454** is disposed interior to the second casing string **420**. The flow control sleeve **454** may be actuated to align (misalign) the alignment port **456** with the casing port **455** to establish (close) fluid communication.

In operation, the drill string **410** is operated to advance the second casing string **420** as shown in FIG. **20**. The deployment valve **453** is run-in in the open position. During drilling, return fluid is circulated up to the surface through the interior of the second casing string **420**. The return fluid may include the diverted fluid in the annulus **446** between the first casing string **10** and the second casing string **420**.

After a desired interval has been drilled, a ball is dropped to close off the bypass ports **437** of the bypass member **445**, as

illustrated in FIG. **21**. Thereafter, additional pressure is applied to extrude the ball through the first ball seat **440** to land in the second ball seat **435**, as shown in FIG. **22**. More pressure is then applied to set the liner hanger **430** to hang the second casing string **420** off the first casing string **10**. As shown, the slips **434** have been expanded to engage the first casing string **10**. However, the liner hanger packing element **432** has not been set. After the second casing string **420** is supported by the first casing string **10**, the running tool is released from the liner hanger **430** and the drill string **410** is retrieved.

As shown in FIG. **23**, when the BHA **425** is retrieved past the deployment valve **453**, a mud pulse may be transmitted to close the deployment valve **453**. In this respect, risk of damage to the BHA **425** during the cementing operation is prevented. The liner hanger packing element **432** may also be mechanically set as the drill string **410** is being pulled out of the wellbore.

Thereafter, a cement retainer **458** and an actuating tool **460** for operating the full opening tool **450** is tripped into the wellbore, as shown in FIG. **24**. The tools **458**, **460** may be located above the deployment valve **453** using conveying member **411**, such as a work string as is known to a person of ordinary skill in the art. In one embodiment, the cement retainer **458** includes a packer **457** and a flapper valve **459**. The actuating tool **460** may include one or more collets **466** for engaging the flow control sleeve **454**. Additionally, one or more sealing cups **464** are disposed above the collets **466** so as to enclose an area between the sealing cups **464** and the cement retainer **458**. The conveying member **411** also includes a cementing port tool **480** disposed between the sealing cups and the cement retainer **458**. The cementing port tool **480** may be actuated to allow fluid communication between the conveying member **411** and the annulus between the conveying member **411** and the second casing string **420**.

The cement retainer is set in the interior of the second casing string **420** above the deployment valve **453**. Cement is then supplied through the drill string **410** and pumped through cement retainer **458** and the deployment valve **453**, and exits the bottom of the second casing string **420**. A sufficient amount of cement is supplied to squeeze off the bottom of the second casing string **420**. Thereafter, a setting tool (not shown) is removed from the cement retainer **458**, and the drill string **410** is pulled up hole. The deployment valve **453** and the cement retainer **458** are allowed to close and contain the cement below the cement retainer **458** and the deployment valve **453**.

As the drill string **410** is pulled up, the collets **466** of the actuating tool **460** engage the flow control sleeve **454**. The flow control sleeve **454** is shifted to align the alignment port **456** with the casing port **455**, thereby opening the casing port **455** for fluid communication. Then, a ball is dropped into the cementing port tool **480** to block fluid communication with the lower portion of the drill string **410** and the cement retainer setting tool (not shown). Pressure is supplied to open the cementing port tool **480** to squeeze cement into an upper portion of the annulus between the second casing string **420** and the wellbore. Specifically, cement is allowed to flow out of the conveying member **411** and through the casing port **455**. Once the upper portion of the annulus is squeezed off, the cementing retainer setting tool (not shown) and the actuating tool **460** may be retrieved.

FIG. **25** shows another embodiment of the second drilling system according to aspects of the present invention. The second drilling system **502** includes a second casing string **520**, a drill string **510**, and a bottom hole assembly (not shown). Similar to the embodiment shown in FIG. **7**, the drill

string **510** is equipped with a second ball seat **535** and a hydraulically actuatable liner hanger assembly **530** having one or more slip mechanisms **534**. The drill string **510** also includes a first ball seat **540** coupled to a bypass member **545** having bypass ports **537** in fluid communication with the drill string **510** and the annulus **546** between the second casing string **520** and the first casing string **10**. Preferably, the spokes of the bypass member **545** are arranged as shown in FIG. **25A**. A sealing member **548** is used to block fluid communication between the annulus **546** and the interior of the first casing string **10** above the second casing string **520**. Because many of the components in FIG. **25**, e.g., first and second ball seats **535**, **540**, are substantially the same as the components shown and described in FIG. **7**, the above description and operation of the similar components with respect to FIG. **7** apply equally to the components of FIG. **25**.

In operation, the drill string **510** is operated to advance the second casing string **520** as shown in FIG. **25**. During drilling, return fluid is circulated up to the surface through the interior of the second casing string **520**. The return fluid may include the diverted fluid in the annulus **546** between the first casing string **10** and the second casing string **520**.

After a desired interval has been drilled, a ball is dropped to close off the bypass ports **537** of the bypass member **545**, as illustrated in FIG. **26**. Thereafter, a second ball is dropped to land in the second ball seat **535**, as shown in FIG. **27**. Alternatively, additional pressure is applied to extrude the first ball through the first ball seat **540** to land in the second ball seat **535**. More pressure is then applied to set the liner hanger **530** to hang the second casing string **520** off the first casing string **10**. As shown, the slips **534** have been expanded to engage the first casing string **10**. It can be seen that, in this embodiment, the liner hanger assembly **530** does not have a packing element to seal the annulus **546** between the first casing string **10** and the second casing string **520**. Additional pressure is then applied to the ball to extrude it through the second ball seat **535** so that it can travel to a ball catcher (not shown) in drill string **510**. After the second casing string **520** is supported by the first casing string **10**, the running tool is released from the liner hanger **530**, and the drill string **510** and the BHA **525** are retrieved.

To cement the second casing string **520**, a packer assembly **550** is tripped into the wellbore using the drill string **510**. The packer assembly **550** may latch into the top of the liner hanger **530** as shown in FIG. **28**. To this end, the interior of the second casing string **520** is placed in fluid communication with the packer assembly **550**.

In one embodiment, the packer assembly **550** includes a single direction plug **560**, a packer **557** for the top of the liner hanger **530**, and a plug running packer setting tool **558** for setting the packer **557**. Preferably, the single direction plug is adapted for subsurface release. An exemplary single direction plug is disclosed in a co-pending U.S. patent application filed on Jan. 29, 2004, which application is herein incorporated by reference in its entirety. For example, the single direction plug **560** may include a body **562** and gripping members **564** for preventing movement of the body **562** in a first axial direction relative to tubular. The plug **560** further comprises a sealing member **566** for sealing a fluid path between the body **562** and the tubular. Preferably, the gripping members **564** are actuated by a pressure differential such that the plug **560** is movable in a second axial direction with fluid pressure but is not movable in the first direction due to fluid pressure.

Cement is pumped down the drill string **510** and the second casing string **520** followed by a dart **504**. The dart **504** travels behind the cement until it lands in the single direction plug **560**. The increase in pressure behind the dart **504** causes the

single direction plug **560** to release downhole. The plug **560** is pumped downhole until it reaches a position proximate the bottom of the second casing string **520**. A pressure differential is created to set the single direction plug **560**. In this respect, the single direction plug **560** will prevent the cement from flowing back into the second casing string **520**.

Thereafter, a force is applied to the plug running packer setting tool **558** to set the packer **557** to seal off the annulus **546** between the second casing string **520** and the first casing string **10**. The drill string **510** is then released from the liner hanger **530**. Reverse circulation may optionally be performed to remove excess cement from the drill string **510** before retrieval. FIG. **29** shows the second casing string **520** after it has been cemented into place.

Alternate embodiments of the present invention provide methods and apparatus for subsequently casing a section of a wellbore which was previously spanned by a portion of a bottom hole assembly ("BHA") extending below a lower end of a liner or casing during a drilling with the casing operation. Embodiments of the present invention advantageously allow for circulation of drilling fluid while drilling with the casing and while casing the section of the wellbore previously spanned by the portion of the BHA extending below the lower end of the liner.

FIG. **30** shows a first casing **805** which was previously lowered into a wellbore **881** and set therein, preferably by a physically alterable bonding material such as cement. In the alternative, the casing **805** may be set within the wellbore **881** using any type of hanging tool. Preferably, the first casing **805** is drilled into an earth formation by jetting and/or rotating the first casing **805** to form the wellbore **881**.

Disposed within the first casing **805** is a second casing or liner **810**. Connected to an outer surface of an upper end of the liner **810** is a setting sleeve **802** having one or more sealing members **803** disposed directly below the setting sleeve **802**, the sealing members **803** preferably including one or more sealing elements such as packers. The sealing members **803** could also be an expandable packer, with an elastomeric material creating the seal between the liner **810** and the first casing **805**. A setting sleeve guard **801** disposed on a drill string **815** (see below) has an inner diameter adjacent to an outer diameter of a running tool **825**, and a recess in the setting sleeve guard **801** houses a shoulder of the setting sleeve **802** therein. A shoulder on the drill string **815** prevents the setting sleeve guard **801** from stroking the setting sleeve **802** downwards while working the drill string **815** up and down in the wellbore **881** during the drilling process (see below). The setting sleeve guard **801** prevents the setting sleeve **802** from being actuated prior to the cementation process (shown and described below in relation to FIGS. **45-49**).

The liner **810** includes a liner hanger **820** on a portion of its outer diameter; the liner hanger **820** having one or more gripping members **821**, preferably slips, on its outer diameter. The liner hanger **820** is disposed directly below the sealing member **803**. The liner hanger **820** further includes a sloped surface **822** on the outer diameter of the liner **810** along which the gripping members **821** translate radially outward to hang the liner **810** off the inner diameter of the casing **805**. At a lower end of the liner **810**, a liner shoe **889** may exist.

The liner **810** has a drill string **815**, which may also be termed a circulating string, disposed substantially coaxially therein and releasably connected thereto. The drill string **815** is a generally tubular-shaped body having a longitudinal bore therethrough. The drill string **815** and the liner **810** form a liner assembly **800**. FIG. **30** shows the liner assembly **800** drilled to the liner **810** setting depth within the formation.

The drill string **815** includes a running tool **825** at its upper end and a BHA **885** telescopically connected to a lower end of the running tool **825**. Specifically, the running tool **825** includes a latch **840**. An outer surface of the running tool **825** has a recess **827** therein for receiving a radially extendable latching member **826**. The latching member **826** is radially extendable into a recess **828** in an inner surface of the liner **810** to releasably engage the liner **810**. When the latching member **826** is extended into the recess **828** of the liner **810**, the liner **810** and the drill string **815** are latched together.

The BHA **885** includes a first telescoping joint **850** at its upper end which is disposed concentrically within the lower end of the running tool **825** so that the first telescoping joint **850** and the running tool **825** are moveable longitudinally relative to one another. The lower end of the first telescoping joint **850** is then disposed concentrically around an upper end of a second telescoping joint **855**. The first and second telescoping joints **850** and **855** are also moveable longitudinally relative to one another.

It is contemplated that a plurality of telescoping joints **850**, **855** may be utilized rather than merely the two telescoping joints **850**, **855** shown, depending at least partially upon the length of the BHA **885** that is exposed below the lower end of the liner **810**. This portion of the BHA **885** must be swallowed by collapsing the telescoping joints **850**, **855**, thus lowering the liner **810** to case substantially the depth of the wellbore **881** drilled (see description of operation below). Preferably, the telescoping joints **850**, **855** are pressure and volume balanced and positioned toward a lower end of the drill string **815** because of their reduced cross-section caused by an effort to minimize their hydraulic area. When the telescoping joints **850** and **855** are extended to telescope outward, the telescoping joints **850**, **855** are preferably splined, or selectively splined, to permit torque transmission through the telescoping joints **850**, **855** as required (specifically during run-in and/or drilling of the liner drilling assembly **800**, as described below). In addition to a spline coupling, it must be noted that the telescoping joints may be coupled using any other manner that is capable of transmitting torque while allowing relative axial movement between the telescoping joints.

The second telescoping joint **855** includes a latch **882** with one or more recesses **887** in its outer surface. The one or more recesses **887** house one or more latching members **886** therein. The one or more latching members **886** are also disposed within one or more recesses **888** in an inner surface of the liner shoe **889** (or the liner **810**). To act as a releasable latch selectively holding the drill string **815** and the liner **810** together, the latching member **886** is radially slidable relative within the recess **887** of the second telescoping joint **855** to either engage or disengage the liner shoe **889** by its recess **888**.

The two attachment locations of the liner **810** to the drill string **815**, namely the latches **840** and **882**, are disposed proximate to the upper and lower portions of the liner **810**, respectively. Both attachment locations are capable of handling tension and compression, as well as torque.

Connected to a lower end of the second telescoping joint **855** is a circulating sub **860**. Within an inner, longitudinal bore of the circulating sub **860** is a ball seat **861**. A wall of the circulating sub **860** includes one or more ports **863** there-through. The ball seat **861** is slidably disposed and moveable within a recess **884** in an inner surface of the wall of the circulating sub **860** to selectively open and close the port **863**. A baffle **877**, which acts as a holding chamber for a ball **876** (see FIG. **31**) after the ball **876** flows through the ball seat **861**,

is disposed below the ball seat **861** to prevent the ball **876** from plugging off the flow path by entering a lower portion **870** of the BHA **885**.

The lower portion **870** of the BHA **885** performs various functions during the drilling of the liner assembly **800**. Specifically, the lower portion **870** includes a measuring-while-drilling (“MWD”) sub **896** capable of locating one or more measuring tools therein for measuring formation parameters. Also, a resistivity sub (not shown) may be located within the lower portion **870** of the BHA **885** for locating one or more resistivity tools for measuring additional formation parameters.

A motor **894**, preferably a mud motor, is also disposed within the lower portion **870** of the BHA **885** above an earth removal member **893**, which is preferably a cutting apparatus. As shown in FIGS. **30-44**, the earth removal member **893**, **993** includes an underreamer **892**, **992** located above a drill bit **890**, **990**. In the alternative, the earth removal member **893**, **993** may be a reamer shoe, bi-center bit, or expandable drill bit. For an example of an expandable bit suitable for use in the present invention, refer to U.S. patent application Publication No. 2003/111267 or U.S. patent application Publication No. 2003/183424, each which is incorporated by reference herein in its entirety. The motor **894** is utilized to provide rotational force to the earth removal member **893** relative to the remainder of the drill string **815** to drill the liner assembly **800** into the formation to form the wellbore **881**. In one embodiment, the BHA **885** may also include an apparatus to facilitate directional drilling, such as a bent motor housing, an adjustable housing motor, or a rotary steerable system. Moreover, the earth removal member may also include one or more fluid deflectors or nozzles for selectively introducing fluid into the formation to deflect the trajectory of the wellbore. In another embodiment, a 3D rotary steerable system may be used. As such, it may be desirable to place the LWD tool above the underreamer.

In addition to the components shown in FIG. **30** and described above, the lower portion **870** of the BHA **885** may further include one or more stabilizers and/or a logging-while-drilling (“LWD”) sub capable of receiving one or more LWD tools for measuring parameters while drilling. At least the lower portion **870** of the BHA **885** may extend below the lower end of the liner **810** while drilling the liner assembly **800** into the formation.

In the embodiment of FIGS. **30-35**, the setting sleeve guard **801**, the latch **840** of the running tool **825**, and the latch **882** of the second telescoping joint **855** are each fluid bypass assemblies **813**. FIG. **30A** shows a fluid bypass assembly **813** capable of use as the setting sleeve guard **801**, latch **840**, and/or latch **882**. Each bypass assembly **813** may comprise one or more spokes **804** having one or more annuluses **806** therebetween for flowing fluid therethrough. The one or more bypass assemblies **813** allow drilling fluid to circulate during wellbore operations, as described below.

In operation, the liner drilling assembly **800** is lowered into the formation to form a wellbore **881**. Additionally, while being lowered, one or more portions of the liner drilling assembly **800** may be rotated to facilitate lowering into the formation. The rotated portion of the drilling assembly **800** is preferably the earth removal member **893**. The motor **894** in the BHA **885** preferably provides the rotational force to rotate the earth removal member **893**.

FIG. **30** shows the liner drilling assembly **800** in the run-in position. Usually the lower portion **870** of the BHA **885** extends below the liner **810** upon run-in. The underreamer **892**, in the embodiment shown, includes one or more cutting blades that extend past the outer diameter of the liner **810** to

form a wellbore **881** having a sufficient diameter for running the liner **810**, which follows the underreamer **892** into the formation, therein. In alternative embodiments which employ an expandable bit to drill ahead of the liner **810**, the expandable bit cutting blades extend past the outer diameter of the liner **810** to drill a wellbore **881** of sufficient diameter.

Upon run-in of the liner assembly **800**, the latching member **826** of the latch **840** is radially extended to releasably engage the recess **828** in the liner **810**. Moreover, the latching member **886** is radially extended to engage the recess **888** in the inner diameter of the liner **810** (or the liner shoe **889**). In this way, the drill string **815** and the liner **810** are releasably connected during drilling. The latches **840**, **882** are capable of transmitting axial as well as rotational force, forcing the liner **810** and the drill string **815** to translate together while connected. Preferably, torque is transmitted sequentially from the drill string **815** to latch **840**, to liner **810**, back to latch **882**, and then to the BHA **870**.

During run-in of the liner assembly **810**, the telescopic joints **850**, **855** are preferably extended at least partially to a length A. Because of the splined profiles of the telescopic joints **850**, **855**, extension of the telescopic joints **850**, **855** may allow transmission of torque to the earth removal member **893** while drilling. Preferably, the extension joints **850** and **855** do not transmit torque during drilling operations. To hold the telescopic joints **850**, **855** in an extended position during installation of the latch **882**, at least one releasable connection between the first telescopic joint **850** and the running tool **825** exists, as well as at least one releasable connection between the first telescopic joint **850** and the second telescopic joint **855**. Preferably, at least one first shearable member **851** and at least one second shearable member **852** perform the functions of releasably connecting the first telescopic joint **850** to the running tool **825** and releasably connecting the second telescopic joint **855** to the first telescopic joint **850**, respectively. It is contemplated that the releasable connections could also take the form of hydraulically releasable dogs, as is known by those skilled in the art, rather than shearable connections.

While drilling into the formation with the liner drilling assembly **800**, drilling fluid is preferably circulated. The port **863** in the circulating sub **860** is initially closed off by the ball seat **861** within the recess **884** in the inner wall of the circulating sub **860**. Drilling fluid is introduced into the inner longitudinal bore of the drill string **815** from the surface, and then flows through the drill string **815** into and through one or more nozzles (not shown) formed through the drill bit **890**. The fluid then flows upward around the lower portion **870** of the BHA **885**, then the one or more bypass assemblies **813** of the latches **840**, **882** and the setting sleeve guard **801** allow fluid to flow up through the inner diameter of the liner **810** between the inner diameter of the liner **810** and the outer diameter of the drill string **815**. Additionally, some fluid may flow around the outer diameter of the liner **810** between the outer diameter of the liner **810** and the wellbore **881**. Thus, the volume of fluid which may be circulated while drilling is increased due to the multiple fluid paths (one fluid path between the wellbore **881** and the outer diameter of the liner **810**, the other fluid path between the inner diameter of the liner **810** and the outer diameter of the drill string **815**) created by the embodiment shown in FIG. 30 of the liner drilling assembly **800**. In another embodiment, this system is not limited to this one particular annular flow regime between the outer diameter of the liner **810** and the wellbore **881**, but the system may employ the same equipment to achieve down-

ward annular flow, as described above. Specifically, this system may involve use of the sealing member **448** and the bypass member **445**.

Now referring to FIG. 31, when the underreamer **892** (or other earth removal member **893**) has reached the desired depth at which it is desired to ultimately place the liner **810** in the wellbore **881** to case the wellbore to a depth (preferably, at the desired depth, a lower portion of the first casing **805** overlaps an upper portion of the liner **810**), a sealing device for sealing the bore of the circulating sub **860**, preferably a ball **876** or a dart (not shown), is introduced into the bore of the drill string **815** from the surface and circulated down the drill string **815** into the ball seat **861** (the ball seat **861** is preferably located above the lower portion **870** of the BHA **885**). Fluid is then introduced above the ball **876** to increase pressure within the bore to an amount capable of releasing the latching member **886** from the recess **888** in the liner **810**, thus releasing the releasable connection between the drill string **815** and the liner **810**. The latching member **886** is shown released from the liner shoe **889** in FIG. 31.

Next, pressure is further increased above the ball **876** within the bore of the drill string **815** to force the ball **876** through the ball seat **861**, as illustrated in FIG. 32. The ball **876** is caught in the baffle **877** above the lower portion **870** of the BHA **885**. Blowing the ball **876** through the ball seat **861** allows circulation through the bore of the circulating sub **860** again, as during run-in of the liner drilling assembly **800**.

A downward load is then applied to the drill string **815** from the surface of the wellbore **881** to shear the shearable members **851** and **852** so that the first telescopic joint **850** slides within the running tool **825** until it reaches a shoulder **841** of the running tool **825** and the second telescopic joint **855** slides within the first telescopic joint **850** until it reaches a shoulder **842** of the first telescopic joint **850**, as shown in FIG. 33. This telescoping of joints will continue until the liner **810** has been advanced to the bottom of the wellbore **881**. Collapsing the joints **825**, **850** and **850**, **855** in length telescopically decreases the length of the drill string **815** within the liner **810**, thus moving the liner downward **810** within the wellbore **881** in relation to the lowermost end of the drill string **815** (to just above the blades on the underreamer **892**). The distances between the shoulders **841**, **842** and the initial locations of the telescoping members **825**, **850** and **850**, **855** are predetermined prior to locating the liner drilling assembly **800** within the formation so that the telescoping of the telescoping members **825**, **850** and **850**, **855** allows the liner **810** to move downward to a location proximate the bottom of the wellbore **881**, as shown in FIG. 33. Ultimately, the liner **810** is reamed over the previously exposed portion of the BHA **885**; therefore, the previously open hole section **843** (see FIG. 32) is cased by the liner **810** as shown in FIG. 33, thereby casing a portion of the wellbore **881** which would otherwise remain uncased upon removal of the BHA **885** from the wellbore **881**. Because of the bypass assemblies **813** which exist in the latches **840** and **882** as well as the setting sleeve guard **801**, fluid may be circulated within one or more annuli **806** between one or more spokes **804** of the bypass assemblies **813** while the liner **810** is lowered into the wellbore **881** over the BHA **870**. Thus, fluid may be circulated within the liner **810** as well as outside the liner **810** to circulate any residual cuttings or other material remaining at the bottom of the wellbore **881** after drilling.

FIG. 34 shows the next step in the operation. A second ball **844** (or dart) is introduced into the drill string **815** from the surface to rest in the ball seat **861**. Fluid is then flowed into the bore of the drill string **815** to provide sufficient pressure within the drill string **815** to set the liner hanger **820**, thereby

hanging the liner **810** on the first casing **805**. Specifically, increased fluid pressure within the bore forces the gripping members **821** to move upward along the sloped surface **822** of the liner hanger **820**. Because the surface **822** is sloped, the gripping members **821** extend radially outward to grippingly engage the inner surface of the first casing **805** (see FIG. **35**). In an alternate embodiment, the liner hanger **820** may be expandable.

Once the liner **810** is hung off the first casing **805**, pressure is further increased above the second ball **844** to retract the latching member **826** from engagement with the inner surface of the liner **810**, thus disengaging the liner **810** from the drill string **815**. The drill string **815** is now moveable relative to the liner **810** to allow retrieval thereof.

As depicted in FIG. **35**, pressure is then increased yet further within the bore of the drill string **815** so that the second ball **844** within the ball seat **861** forces the ball seat **861** to shift downward within the recess **884**, thereby opening the port **863** to fluid flow and allowing fluid circulation through the port **863**. Fluid flow is now possible through the bore of the drill string **815**, out through the port **863**, then up and/or down within the annulus between the outer diameter of the drill string **815** and the inner diameter of the liner **810**. FIG. **35** shows the drill string **815** being retrieved to the surface. Fluid may be circulated through the liner **810** while the drill string **815** is retrieved from the cased wellbore **881**.

An alternate embodiment of the present invention which allows for subsequently casing a portion of the open hole wellbore which was previously spanned by at least a portion of the BHA previously extending below a lower end of the liner during the drilling with casing operation is shown in FIGS. **36-44**. The embodiment shown in FIG. **36-44**, like the embodiment of FIGS. **30-35**, also involves drilling a wellbore with a liner having an inner circulating string, wherein the liner is attachable to the drill string. However, the embodiment of FIGS. **36-44** does not employ collapsible telescoping joints to case the open hole section of the wellbore occupied by the BHA.

The embodiment shown in FIGS. **36-44** is substantially the same in components and operation as the embodiment shown in FIGS. **30-35**; therefore, components of FIGS. **36-44** which are substantially the same as components of FIGS. **30-35** labeled in the "800" series are labeled with like numbers in the "900" series. Namely, the liner assembly **900**; wellbore **981**; first casing **905**; setting sleeve guard **901** and setting sleeve **902**; sealing member **903**; liner **910** and its recess **928** therein, one or more gripping members **921**, liner hanger **920** and its sloped surface **922**, and liner shoe **989**; drill string **915** including running tool **925**, latch **940**, recess **927**, latching member **926**, circulating sub **960**, one or more ports **963**, recess **984**, ball seat **961**, baffle **977**, BHA **985**, MWD sub **996**, motor **994**, underreamer **992**, drill bit **990**, earth removal member **993**, and lower portion **970** (of BHA **985**); and balls **976** and **944** are substantially the same as the liner assembly **800**, wellbore **881**, first casing **805**, setting sleeve guard **801**, setting sleeve **802**, sealing member **803**, liner **810**, recess **828**, gripping members **821**, liner hanger **820**, sloped surface **822**, liner shoe **889**, drill string **815**, running tool **825**, latch **840**, recess **827**, latching member **826**, circulating sub **860**, ports **863**, recess **884**, ball seat **861**, baffle **877**, BHA **885**, MWD sub **896**, motor **894**, underreamer **892**, drill bit **890**, earth removal member **893**, lower portion **870**, and balls **876** and **844** shown and described in relation to FIGS. **30-35**.

The latch **982** and its related components including the latching member **986**, recess **987** in the latch **982**, and recess **988** in the liner **910**, and the operation of the latch **982**, are also similar to the latch **882**, recesses **887** and **888**, and latch-

ing member **886** shown and described in relation to FIGS. **30-35**; however, the latch **982** of FIGS. **36-44** and its components may be located at a higher location along the drill string **915** relative to the lower end of the liner **910**, as no telescoping joints **850**, **855** exist in the embodiment of FIGS. **36-44**. The latch **982** is a secondary latch.

In addition to the absence of the telescoping joints **850**, **855** in the embodiment of FIGS. **36-44**, the embodiment shown in FIGS. **36-44** differs from the embodiment shown in FIGS. **30-35** because one or more centralizing members **999** may be located on the drill string **915** near the lower portion of the liner **910**, near the liner shoe **989**, or at other locations throughout the length of the liner **910**. The centralizing member **999** centralizes and stabilizes the drill string **915** relative to the liner **910**. Similar to the embodiment of FIGS. **30-35**, the setting sleeve guard **901**, latch **940**, latch **982**, and centralizer **999** are preferably each bypass assemblies **813**, as shown and described in relation to FIG. **30A**.

In operation, the liner assembly **900** is drilled to a depth within the formation so that the wellbore **981** is at the depth at which it is desired to ultimately set the liner **910**, with only one of the latches (e.g., latch **940**) engaging the inner diameter of the liner **910**. The liner assembly **900** is drilled to the desired depth within the formation, preferably to a depth where at least a portion of the liner **910** is overlapping at least a portion of the first casing, is shown in FIG. **36**. While drilling, drilling fluid may be circulated up within the liner through the latch **940**, latch **982**, centralizer **999**, and setting sleeve guard **901** due to their bypass assemblies **813**. This system is not limited to one particular annular flow regime between the outer diameter of the liner **910** and the wellbore **981**, but may also employ the same equipment as described above to achieve an additional downward annular flow path. Specifically, this system may involve the use of the sealing member **448** and the bypass member **445**.

Next, as shown in FIG. **37**, the first ball **976** is placed in the ball seat **961**, fluid pressure is increased, and the liner hanger **920** is actuated to hang the liner **910** on the first casing **905**, as shown and described in relation to FIGS. **30-35**. Fluid pressure is increased further within the bore of the drill string **915** so that the latching member **926** is released from the recess **928** in the liner **910**. At this point in the operation, the drill string **915** is moveable relative to the liner **910** and the first casing **905**. Then, just as shown and described in relation to FIGS. **30-35**, fluid pressure is increased yet further within the bore of the drill string **915** to force the ball **976** into the baffle **977**, as shown in FIG. **38**, so that fluid may flow through the lower end **970** of the BHA **985** again.

The drill string **915** is then translated upward relative to the liner **910** until the secondary latching member **988** engages the recess **928** in the liner **910** previously occupied by the latching member **926**. The distance between the recesses **928** and **986**, as well as between latching members **926** and **988**, is predetermined so that when the latching member **988** engages the recess **928**, the majority of the BHA **985** is surrounded by the liner **910**. Preferably, as shown in FIG. **39**, the lower end of the liner **910** is disposed proximate to the earth removal member **993**, so that the liner **910** may be lowered into a location near the bottom of the wellbore **981**. In this manner, substantially all of the open hole wellbore may be cased by the liner **910**.

Once the latching member **988** engages the recess **928**, the gripping members **921** of the liner hanger **920** are released from their gripping engagement with the first casing **905**, as shown in FIG. **40**. The liner drilling assembly **900** is now translatable relative to the first casing **905**.

As shown in FIG. 41, the liner assembly 900 is then lowered to the bottom of the open hole wellbore 981. Referring now to FIG. 42, a second ball 944 is next introduced into the bore of the drill string 915 and stops in the ball seat 961, thus preventing fluid flow therethrough. Increased fluid pressure above the second ball 944 sets the liner hanger 920 at a new location on the first casing 905, as shown and described in relation to FIGS. 30-35. The liner 910 is now hung on the first casing 905 at its desired position for lining the open hole wellbore.

FIG. 43 shows the next step in the operation. After hanging the liner 910 on the first casing 905, the secondary latching member 988 is released (e.g., by increased fluid pressure within the bore of the drill string 915 above the ball 944) from the recess 928 in the liner 910 so that the drill string 915 may be retrieved from within the liner 910. Fluid pressure is then further increased within the bore to shift the ball seat 961, thereby uncovering the fluid port 963. Fluid circulation from the bore of the drill string 915, then up and/or down through the inner diameter of the liner 910 outside the drill string 915 is then possible while retrieving the drill string 915 to the surface. FIG. 44 shows the fluid port 963 uncovered.

The drill string 915 is then pulled up to the surface, while the liner 910 remains hung on the first casing 905. When the underreamer 992 reaches the liner 910 upon pulling the drill string 915 up through the liner 910, the underreamer 992 decreases in outer diameter.

FIGS. 45-49 show a cementation process for setting the liner 810, 910 of either of the embodiments shown in FIGS. 30-35 or in FIGS. 36-44 within the wellbore 881, 981. The cementation process is a two-trip system for drilling casing into the wellbore and cementing the casing into the wellbore which avoids pumping of cement through the BHA 885, 985, which could damage or ruin expensive equipment disposed within the BHA 885, 985 such as a MWD tool or mud motor.

The embodiment of the cementation process depicted in FIGS. 45-49 includes first casing 905, setting sleeve 902, sealing member 903, liner hanger 920, sloped surface of liner hanger 922, gripping member 921, recess in liner 928, and liner 910 of FIGS. 36-44, all of which are left in the wellbore 981 after the drill string 915 is removed from the wellbore 981. The cementation process which is below described in relation to the components of FIGS. 36-44 is equally applicable to the cementation of the liner 810 of FIGS. 30-35, where the first casing 805, setting sleeve 802, sealing member 803, liner hanger 820, sloped surface 822, gripping member 821, recess 828, and liner 810 remain in the wellbore 881 subsequent to removal of the drill string 815 from the liner 810.

Referring to FIG. 45, a cementing assembly 930 which is run into the casing 905, 805, setting sleeve 902, 802, and liner 910, 810 includes a tubing string 935 attached to a float valve sub 932. The tubing string 935 is preferably connected to an upper end of the float valve sub 932. At least a portion of the tubing string 935 includes a circulating sub 936 having one or more ports 934 within a wall of the circulating sub 936 for communicating fluid from the inner bore of the tubing string 935 to the annulus between the outer diameter of the tubing string 935 and the inner diameter of the liner 910, 810. Disposed within a recess 937 of the circulating sub 936 is a hydraulic isolation sleeve 931 to selectively isolate the inner diameter of the bore from fluid flow in the annulus. The hydraulic isolation sleeve 931 is selectively moveable over and away from the port 934 to open or close a fluid path through the port 934.

A further portion of the tubing string 935, which is preferably located below the circulating sub 936 in the tubing string

935, is a sealing member setting tool 938 and sealing member stinger assembly 939. At least a portion of the sealing member stinger assembly 939 is disposed within the bore of the float valve sub 932 to keep the bore of the float valve sub 932 open.

The sealing member setting tool 938 is utilized to activate the sealing member 903, 803. The sealing member setting tool 938 includes one or more setting members 998 on one or more hinges 991 biased radially outward to a predetermined radial extension wingspan of the setting members 998. The setting members 998 are disposable within a recess 997 in the setting tool 939 when inactivated, as shown in FIG. 45.

At the lower end of the tubing string 935 is the float valve sub 932 for preventing backflow of cement upon removal of the tubing string 935 (see below). The float valve sub 932 includes a longitudinal bore therethrough and a one-way valve 946, examples of which include but are not limited to flapper valves or check valves. When the one-way valve 946 is activated, the one-way valve 946 permits cement to flow downward through the bore of the float valve sub 932 and into the wellbore 981, 881, yet prevents fluid from flowing into the bore of the float valve sub 932 from the wellbore 981, 881 ("u-tubing"). The one-way valve 946 may be biased upward around a hinge 945, and the arm of the valve 946 may be disposable within a recess 933 in a lower end of the float valve sub 932 when closed.

Disposed around the outer diameter of the float valve sub 932 are one or more gripping members 941, 943, which are preferably slips, for grippingly engaging the inner surface of the liner 910, 810. One or more sealing members 942, which are preferably elastomeric compression-set packers, are also disposed around the outer diameter of the float valve sub 932 for sealingly engaging the inner surface of the liner 910, 810. The one or more sealing members 942 are preferably drillable. Preferably, as is shown in FIG. 45, the sealing members 942 are disposable between gripping members 941, 943.

In operation, the cementing assembly 930 is lowered into the inner diameter of the first casing 905, 805, setting sleeve 902, 802, and liner 910, 810 to the depth at which it is desired to place the float valve sub 932 to prevent backflow of cement during the cementation process. Upon run-in, the one-way valve 946 is propped open by the stinger 976, which forces the one-way valve 946 to remain open despite its bias closed. During run-in, fluid may be circulated through the inner bore of the tubing string 935, then up the inner diameter and/or outer diameter of the liner 910, 810. After the one or more sealing members 942 are located near a lower end of the liner 910, 810, the sealing members 942 are set, preferably by compressing the one or more sealing members 942 out against the inner diameter of the liner 910, 810. FIG. 45 shows the cementing assembly 930 lowered to the desired depth within the liner 910, 810 and the sealing member 942 contacting the inner surface of the liner 910, 810 to substantially seal the annulus between the outer diameter of the float valve sub 932 and the inner diameter of the liner 910, 810. Because the annulus between the liner 910, 810 and the tubing string 935 is now substantially sealed from fluid flow, fluid flow through the tubing string 935 bore must travel up the annulus between the outer diameter of the liner 910, 810 and the wellbore 981, 881.

Optionally, testing of the fluid flow path through the tubing string 935 and up around the liner 910, 810 may be conducted prior to cementing. Referring to FIG. 46, a setting operation is then performed, as a physically alterable bonding material, preferably cement 948, is introduced into the bore of the tubing string 935. The cement 948 is introduced into the tubing string 935, then the cement flows up through the annulus between the liner 910, 810 and the wellbore 981, 881 to

the desired height H along the liner 910, 810. Upon the cement 948 achieving the desired height H, a wiper dart 991 is lowered into the bore of the tubing string 935 behind the cement 948. In another embodiment, a ball may be used in place of a dart for the cementing operation.

FIG. 47 depicts the next step in the operation of the cementing process. The wiper dart 991, upon reaching the hydraulic isolation sleeve 931, catches on the sleeve 931 and seals the inner bore of the tubing string 935. Fluid pressure on the wiper dart 991 causes a shear mechanism of the sleeve 931 to fail and moves the sleeve 931 down within the recess 937, thereby exposing the port 934 to fluid flow therethrough between the bore of the tubing string 935 and the annulus between the inner diameter of the liner 910, 810 and the outer diameter of the tubing string 935. The wiper dart 991 travels further below the sleeve 931 within the bore.

Opening the ports 934 to allow circulating of fluid therethrough permits the tubing string 935 to be removed from the liner 910, 810. Upward force is applied to the tubing string 935 to pull the tubing string 935 to the surface, as shown in FIG. 48. As the stinger 976 is removed from the inner bore of the float valve sub 932, the one-way valve 946 is released so that the biasing force causes the one-way valve 946 to pivot upward around its hinge 945 into the recess 933. At this point, the one-way valve 946 prevents fluid such as cement from flowing upward into the bore of the liner 910, 810.

Also shown in FIG. 48, upon exiting the setting sleeve 902, 802, the setting members 998 are allowed to extend to their full radial extension due to the biasing force. To radially extend the sealing member 903, 803 around an upper portion of the liner 910, 810 into sealing engagement with the inner diameter of the first casing 905, 805, the tubing string 935 is lowered onto the setting sleeve 902, 802 after exiting the setting sleeve 902, 802 so that the setting members 998 set the sealing member 903, 803, preferably by compression of the elastomeric seal on the compression-set sealing member 803, 903. In alternate embodiments of the present invention, a seal may be created by a different approach. For example, the seal could be created through expansion of a metal tube against the casing 905, 805, employing either a metal-to-metal seal or using an expandable tube clad with an elastomeric seal on its outer surface.

The tubing string 935 is then removed from the wellbore 981, 881 to leave the liner 910, 810 set and sealed within the formation, as shown in FIG. 49. The components within the float valve sub 932 are preferably drillable (including the sealing member 942) so that a subsequent earth removal member (not shown) may drill through the float valve sub 932 and possibly further into the formation to form a wellbore of a further depth. The subsequent earth removal member may be attached to a liner or casing to case the further depth of the formation. Also, the subsequent earth removal member may be attached to an additional liner which is part of an additional drilling assembly (which may optionally include the same drill string 915, 815 which was removed from the wellbore) similar to the drilling assembly 900, 800 shown and described in relation to FIGS. 30-44, the liner drilling assembly capable of casing a further depth of a wellbore in the formation. An additional cementing operation may be performed on the additional liner left within the wellbore. The process may be repeated as desired any number of times to complete the wellbore to total depth within the formation.

Aspects of the present invention also provide methods and apparatus for casing a section of the wellbore in one trip. FIG. 50 shows a first casing 605 which was previously lowered into a wellbore 681 and set therein, preferably by a physically alterable bonding material such as cement. In the alternative,

the casing 605 may be set within the wellbore 681 using any type of hanging tool. Preferably, the first casing 605 is drilled into an earth formation by jetting and/or rotating the first casing 605 to form the wellbore 681.

5 Disposed within the first casing 605 is a second casing or liner 610. The liner 610 includes a hanger 620 on a portion of its outer diameter, the hanger 620 having one or more gripping members 621, preferably slips. The hanger 620 further includes a sloped surface on the outer diameter of the liner 610 along which the gripping members 621 translate radially outward to hang the liner 610 off the inner diameter of the casing 605.

10 Connected to an outer surface of a lower end of the liner 610 is one or more sealing members 603 on its outer diameter. The sealing members 603 preferably being one or more packers and even more preferably being one or more inflatable packers constructed of an elastomeric material. The sealing members 603 include one or more inflation ports 612 in selectively fluid communication with the interior of the liner 610. The sealing member 603 may be actuated to seal off an annulus between the liner 610 and the wellbore 681.

15 The liner 610 has a drill string 615, which may also be termed a circulating string, disposed substantially coaxially therein and releasably connected thereto. The drill string 615 is a generally tubular-shaped body having a longitudinal bore therethrough. The drill string 615 and the liner 610 form a liner assembly 600. FIG. 50 shows the liner assembly 600 drilled to the liner 610 setting depth within the formation.

20 The drill string 615 includes a running tool 625 at its upper end and a BHA 685 at its lower end. Specifically, the running tool 625 includes a latch 640. An outer surface of the running tool 625 has a recess therein for receiving the latch 640. The latch 640 is radially extendable into a recess in an inner surface of the liner 610 to selectively engage the liner 610. When the latch 640 is extended into the recess of the liner 610, the liner 610 and the drill string 615 are latched together. The latch 640 is capable of transmitting axial as well as rotational force, forcing the liner 610 and the drill string 615 to translate together while connected.

25 Preferably, the running tool comprises a fluid bypass assembly 613. FIG. 50A shows a fluid bypass assembly 613 capable of use with the running tool. Each bypass assembly 613 may comprise one or more spokes 607 having one or more annuluses 608 therebetween for flowing fluid therethrough. The one or more bypass assemblies 613 allow drilling fluid to circulate through the annulus between the liner and the drill string during the wellbore operations, as described below. It should also be noted that aspects of the drilling systems discussed herein are applicable to the present embodiment and other embodiments. For example, the drilling system shown in FIG. 50 may further include a fluid bypass assembly having one or more bypass ports. In this respect, fluid from the drill string 615 may be diverted into the annular space between the liner 610 and the wellbore 681. Additionally, the drilling system may employ a sealing member 448 to seal off an annular area between the existing casing and the liner.

30 The BHA 685 is adapted to perform several functions during the drilling of the liner assembly 600. Specifically, the BHA 685 includes a measuring-while-drilling ("MWD") sub 696 capable of locating one or more measuring tools therein for measuring formation parameters. A motor 694, preferably a mud motor, is also disposed within the BHA 685 above an earth removal member 693, which is preferably a cutting apparatus. As shown in FIGS. 50-59, the earth removal member 693 includes an underreamer 692 located above a drill bit 690. Because many of the components in FIG. 50 are sub-

stantially the same as the components shown and described in FIG. 30, the above description and operation of the similar components with respect to FIG. 30 apply equally to the components of FIG. 50.

The BHA 685 further includes a first circulating sub 630. Within an inner, longitudinal bore of the first circulating sub 630 is a ball seat 631. A wall of the circulating sub 630 includes one or more ports 633 therethrough. The ball seat 631 is slidably disposed and moveable relative to the ports 633 to selectively open and close the ports 633.

A second sealing member 640 is disposed adjacent the first circulating sub 630. Preferably, the second sealing member 640 comprises an inflatable packer. Within the inner bore of the drill string 615 is a ball seat 645 to selectively open the inflation ports 643 of the second sealing member 640.

The BHA further includes a second circulating sub 652 and a third circulating sub 653 disposed above the second sealing member 640. Each of the circulating subs 652, 653 has a ball seat 654, 655 disposed therein and one or more ports 656, 657 formed through a wall of the circulating sub 652, 653. The ball seat 654, 655 is slidably disposed and moveable relative to the ports 656, 657 to selectively open and close the ports 656, 657. A port sleeve 658, 659 enclosing the ports 656, 657 is movably disposed on the outer surface of the circulating sub 652, 653. The port sleeve 658, 659 may be actuated by fluid flow through the port 656, 657. In another embodiment, one or more rupture disks may be used to enclose ports 656, 657. The rupture disks may be adapted to fail at a predetermined pressure.

The BHA also includes a packoff sub 660. The packoff sub 660 comprises a locator member 665 for engaging the liner 610 to indicate position. Preferably, the locator member 665 comprises one or more latch dogs 666 adapted to engage a profile 617 on the inner surface of the liner 610. The packoff sub 660 also includes ball seat 670 movably disposed within the inner bore of the drill string 615. The ball seat 670 may be actuated to open the one or more setting ports 672 disposed through a wall of the packoff sub 660. One or more seals 674 are disposed on either side of the setting ports 672. When the latch dogs 666 engage the profile 617, the setting ports 672 are placed in alignment with the inflation port 612 of the casing sealing member 603. Additionally, the seals 674 on either of the setting ports 672 form an enclosed area for fluid communication between the setting ports 672 and the inflation ports 612. Preferably, the packoff sub 660 of the BHA 685 is disposed the lower end of the liner 610 while drilling the liner assembly 600 into the formation. To this end, the packoff sub 660 will not obstruct the annular space between the inner diameter of the liner 610 and the outer diameter of the drill string 615, thereby allowing for cuttings from the drilling process to be circulated up through the inside of the liner 610 and the past the running tool 625.

In operation, the liner drilling assembly 600 is lowered into the formation to form a wellbore 681. During run-in of the liner assembly 600, the latch 640 is radially extended to selectively engage the recess in the liner 610. In this way, the drill string 615 and the liner 610 are releasably connected during drilling. The motor 694 may be operated to rotate the earth removal member 693 to facilitate the advancement to the liner drilling assembly 600. FIG. 50 shows the liner drilling assembly 600 after reaching the desired depth.

While drilling into the formation with the liner assembly 610, drilling fluid is preferably circulated. The ports 633, 643, 656, 657, 672 in the BHA 685 are initially closed off by their respective ball seats 631, 645, 654, 655, 670. The drilling fluid introduced into the inner longitudinal bore of the drill string 615 from the surface flows through the drill string 615

into and through one or more nozzles (not shown) of the drill bit 690. The fluid then flows upward around the lower portion of the BHA 685 carrying cuttings generated by the drilling process. The fluid then flow through the annulus between the drill string and the liner and between the spokes of the fluid bypass assembly 613. Additionally, a small amount of fluid may flow between the liner 610 and the wellbore 681. Thus, the volume of fluid which may be circulated while drilling is increased due to the multiple fluid paths (one fluid path between the wellbore 681 and the outer diameter of the liner 610, the other fluid path between the inner diameter of the liner 610 and the outer diameter of the drill string 615) created by the embodiment shown in FIG. 50 of the liner drilling assembly 600. It must be noted that aspects of the present invention are equally applicable to annular circulation systems, as is known to a person of ordinary skill in the art. It should also be noted that aspects of the drilling systems discussed herein are applicable to the present embodiment and other embodiments. For example, the drilling system shown in FIG. 50 may further include a fluid bypass assembly having one or more bypass ports. In this respect, fluid from the drill string 615 may be diverted into the annular space between the liner 610 and the wellbore 681. Additionally, the drilling system may employ a sealing member 448 to seal off an annular area between the existing casing and the liner.

Initially, a ball is released in the drill string 615 and lands in the ball seat 631 of the first circulation sub 630, as shown FIG. 51. Pressure is applied to the drill string 615 to set the liner hanger 620 by extending the slips 621 outward to engage the first casing 605. Additionally, the pressure increase also releases the latch 640, thereby freeing running tool 625 from the liner 610.

Thereafter, more pressure is applied to shift the ball seat 631 of the first circulation sub 630, as illustrated in FIG. 52. In one embodiment, the pressure increase causes a shear mechanism retaining the ball seat 631 to fail.

After the running tool is released, the drill string 615 is raised until the latch dogs 666 of the locating member 665 engage the profile 617 on the liner 610. The locator member 665 ensures that the setting port 672 is aligned with the inflation port 612 of the casing sealing member 603, and that the seals 674 are located on both sides of the ports 672, 612.

In FIG. 53, a second ball has been released in the drill string 615. The second ball is circulated down to the bottom of the drill string 615. As the second passes the second and third circulation subs 652, 653 and the second sealing member 640, it trips the isolation sleeves of these components. As a result, the components 652, 653, 640 are ready to sense any applied pressure differential across their respective activation devices. In the embodiment shown, the ball seats 645, 654, 655 have been shifted down as the second ball is circulated down. In turn, the port sleeves 658, 659 are exposed to the pressure in the drill string 615 through the respective ports 656, 657.

Thereafter, pressure is increased to inflate the second sealing member 640. The inflated sealing member 640 blocks fluid communication in the annulus between the drill string 615 and the wellbore 681. Then, pressure is increased further to shift the port sleeve 658 of the second circulating sub 652 to the open position. Because of the inflated second sealing member 640, fluid exiting the open port 656 is circulated up the annulus.

In another aspect, the second sealing member 640 may be used as a blow out preventor during run in of the drill string assembly into the hole on an offshore drilling vessel or platform. If the well should kick, which is an influx of fluid, such as gas, coming into the well bore in an uncontrolled fashion,

during the running in of the drilling assembly through the blow-out preventor and the liner is physically located in the preventor and the inner diameter of the liner annulus between the drill string is open to flow, then the blow-out preventor can not shut off the kick which can flow up the open annular area. To this end, the second sealing member **640** may be inflated with a special rupture dart (not shown) that will set the second sealing member **640** but not the liner hanger. In this respect, the second sealing member **640** may seal off the annulus between the drill string and the liner. After the second sealing member **640** is set, the rupture dart will rupture and allow fluid to by-pass to the bottom of the drill string. This will allow the pumping of kill fluid, to kill the kick and regain control of the well. By rotation of the drilling assembly after the well is under control the second sealing member **640** can be deflated and the drilling assembly pulled out of the hole to redress the second sealing member **640** for use in the cementing operation.

A first dart **641** is released from surface, as shown in FIG. **54**. Preferably, the first dart **641** is adapted to wipe the inner surface of the drill string **615** as it travels down the drill string **615**. In one embodiment, the first dart **641** is trailed by a small polymer slug, a scavenger slurry, the cement, and another small polymer slug. The dart **641** is displaced until it lands in a receiving profile below the port **657** of the third circulating sub **653**, thereby sealing off the drill string **610** at the profile.

In FIG. **55**, pressure is increased to shift port sleeve **659** of the third circulating sub **653** to the open position. Fluid behind the first dart **641** is displaced through the opened port **657** and up the annulus between the liner **615** and the wellbore **681**.

In FIG. **56**, a second dart **642** is shown chasing the slurry to bottom. As the second dart passes the ball seat **670** of the packoff sub **660**, it shifts the ball seat **670** to expose the inflation port **612** of the casing sealing member **603** to the pressure in the drill string **615**. The second dart **642** will eventually land in a profile above the ports **657** of the third circulating sub **653**.

After the second dart **642** lands in the profile, pressure is increased to inflate the casing sealing member **603**. As shown in FIG. **57**, the inflated casing sealing member **603** seals off the annulus between the liner **610** and the wellbore **681**. In this respect, the cement is held in place by the casing sealing member **603** and cannot u-tube back into the liner **610**.

Thereafter, drill string **615** is rotated to deflate and release the second sealing member **640**, as shown in FIG. **58**. Thereafter, drill string **615** is pulled out of the hole, as shown in FIG. **59**. When the setting ports **672** of the packoff sub **660** clears the liner top, fluid can equalize through the setting ports **672** from the drill string **615** to the first casing **605**, so a wet drill string **615** is not pulled. This feature could also be achieved by a burst disk in dart **642**, which would allow for fluid equalization through circulating sub **653**.

Aspects of the present invention also provide apparatus and methods for effectively increasing the carrying capacity of the circulating fluid.

FIG. **60** is a section view of a wellbore **1300**. For clarity, the wellbore **1300** is divided into an upper wellbore **1300A** and a lower wellbore **1300B**. The upper wellbore **1300A** is lined with casing **1310**, and an annular area between the casing **1310** and the upper wellbore **1300A** is filled with cement **1315** to strengthen and isolate the upper wellbore **1300A** from the surrounding earth. The lower wellbore **1300B** comprises the newly formed section as the drilling operation progresses.

Coaxially disposed in the wellbore **1300** is a drilling assembly. The drilling assembly may include a work string

1320, a running tool **1330**, and a casing string **1350**. The running tool **1330** may be used to couple the work string **1320** to the casing string **1350**. Preferably, the running tool **1330** may be actuated to release the casing string **1350** after the lower wellbore **1300B** is formed and the casing string **1350** is secured.

As illustrated, a drill bit **1325** is disposed at the lower end of the casing string **1350**. Generally, the lower wellbore **1300B** is formed as the drill bit **1325** is rotated and urged axially downward. The drill bit **1325** may be rotated by a mud motor (not shown) located in the casing string **1350** proximate the drill bit **1325**. Alternatively, the drill bit **1325** may be rotated by rotating the casing string **1350**. In either case, the drill bit **1325** is attached to the casing string **1350** that will subsequently remain downhole to line the lower wellbore **1300B**. As such, there is no opportunity to retrieve the drill bit **1325** in the conventional manner. In this respect, drill bits made of drillable material, two-piece drill bits or bits integrally formed at the end of casing string are typically used.

Circulating fluid or "mud" is circulated down the work string **1320**, as illustrated with arrow **1345**, through the casing string **1350**, and exits the drill bit **1325**. The fluid typically provides lubrication for the drill bit **1325** as the lower wellbore **1300B** is formed. Thereafter, the fluid combines with other wellbore fluid to transport cuttings and other wellbore debris out of the wellbore **1300**. As illustrated with arrow **1370**, the fluid initially travels upward through a smaller annular area **1375** formed between the outer diameter of the casing string **1350** and the lower wellbore **1300B**. Because of the smaller annular area **1375**, the fluid travels at a high annular velocity.

Subsequently, the fluid travels up a larger annular area **1340** formed between the work string **1320** and the inside diameter of the casing **1310** as illustrated by arrow **1365**. As the fluid transitions from the smaller annular area **1375** to the larger annular area **1340**, the annular velocity of the fluid decreases. Because the annular velocity decreases, the carrying capacity of the fluid also decreases, thereby increasing the potential for drill cuttings and wellbore debris to settle on or around the upper end of the casing string **1350**.

To increase the annular velocity, a flow apparatus **1400** is used to inject fluid into the larger annular area **1340**. In FIG. **60**, the flow apparatus **1400** is shown disposed on the work string **1320**. Although FIG. **60** shows one flow apparatus **1400** attached to the work string **1320**, any number of flow apparatus may be coupled to the work string **1320** or the casing string **1350**. The flow apparatus **1400** may divert a portion of the circulating fluid into the larger annular area **1340** to increase the annular velocity of the fluid traveling up the wellbore **1300**. It is to be understood, however, that the flow apparatus **1400** may be disposed on the work string **1320** at any location, such as adjacent the casing string **1350** as shown on FIG. **60** or further up the work string **1320**. Furthermore, the flow apparatus **1400** may be disposed in the casing string **1350** or below the casing string **1350**, so long as the lower wellbore **1300B** will not be eroded or over pressurized by the circulating fluid.

In another aspect, the flow apparatus may comprise a flow operated external pump to increase the annular velocity. The flow operated pump would take energy off the flow stream being pumped down the tubular assembly instead of diverting fluid off the flow stream e.g., the fluid pressure in the flow stream above the drive mechanism of the external pump would be higher than the fluid pressure in the flow stream below the drive mechanism. The external pump would reduce the equivalent circulating density of the fluid in the annulus **1340** helping to lift the fluid and cuttings to the surface. The

external pump can be selectively operated from being shut off to maximum flow. Also the external pump can be supplied with energy from the surface other than the flow stream, e. g., electrical energy, hydraulic energy, pneumatic, etc. Also the external pump may have its own energy supply such as compressed gas. Further, the control of the external pump from the surface may be by fiber optics, mud pulse, hard wiring, hydraulic line, or any manner known to a person of ordinary skill in the art. In a further aspect, the drill string may be equipped with one or more of a fluid diverting flow apparatus, a flow operated external pump, or combinations thereof.

One or more ports **1415** in the flow apparatus **1400** may be modified to control the percentage of flow that passes to drill bit **1325** and the percentage of flow that is diverted to the larger annular area **1340**. The ports **1415** may also be oriented in an upward direction to direct the fluid flow up the larger annular area **1340**, thereby encouraging the drill cuttings and debris out of the wellbore **1300**. Furthermore, the ports **1415** may be systematically opened and closed as required to modify the circulation system or to allow operation of a pressure controlled downhole device.

The flow apparatus **1400** is arranged to divert a predetermined amount of circulating fluid from the flow path down the work string **1320**. The diverted flow, as illustrated by arrow **1360**, is subsequently combined with the fluid traveling upward through the larger annular area **1340**. In this manner, the annular velocity of fluid in the larger annular area **1340** is increased which directly increases the carrying capacity of the fluid, thereby allowing the cuttings and debris to be effectively removed from the wellbore **1300**. At the same time, the annular velocity of the fluid traveling up the smaller annular area **1375** is lowered as the amount of fluid exiting the drill bit **1325** is reduced. In this respect, damage or erosion to the lower wellbore **1300B** by the fluid traveling up the annular area **1375** is minimized.

FIG. **61** is a cross-sectional view illustrating another embodiment of a drilling assembly having an auxiliary flow tube **1405** partially formed in the casing string **1350**. As illustrated with arrow **1345**, circulating fluid is circulated down the work string **1320**, through the casing string **1350**, and exits the drill bit **1325** to provide lubrication for the drill bit **1325** as the lower wellbore **1300B** is formed. Thereafter, the fluid combines with other wellbore fluid to transport cuttings and other wellbore debris out of the wellbore **1300**.

As illustrated with arrow **1370**, the fluid initially travels at a high annular velocity upward through a portion of the smaller annular area **1375** formed between the outer diameter of the casing string **1350** and the lower wellbore **1300B**. However, at a predetermined distance, a portion of the fluid in the smaller annular area **1375**, as illustrated by arrow **1410**, is redirected through the auxiliary flow tube **1405**. In one embodiment, the auxiliary flow tube **1405** may be systematically opened and closed as desired, to modify the circulation system or to allow operation of a pressure controlled downhole device. Preferably, the auxiliary flow tube **1405** is constructed and arranged to remove and redirect a portion of the high annular velocity fluid traveling up the smaller annular area **1375**. By diverting a portion of high annular velocity fluid in the smaller annular area **1375** to the larger annular area **1340**, the auxiliary flow tube **1405** increases the annular velocity of the fluid traveling up the larger annular area **1340**. In this manner, the carrying capacity of the fluid is increased. In addition, the annular velocity of the fluid traveling up the smaller annular area **1375** is reduced, thereby minimizing erosion or pressure damage in the lower wellbore **1300B** by the fluid traveling up the annular area **1375**. Although FIG. **61**

shows one auxiliary flow tube **1405** attached to the casing string **1350**, any number of auxiliary flow tubes may be attached to the casing string **1350** in accordance with the present invention. Additionally, the auxiliary flow tube **1405** may be disposed on the casing string **1350** at any location, such as adjacent the drill bit **1325** as shown on FIG. **61** or further up the casing string **1350**, so long as the high annular velocity fluid in the smaller annular area **1375** is transported to the larger annular area **1340**.

FIG. **62** is a cross-sectional view illustrating another embodiment of a drilling assembly having a main flow tube **1420** formed in the casing string **1350**. In this embodiment, the work string **1320** extends down to the drill bit **1325**. As illustrated with arrow **1345**, circulating fluid is circulated down the work string **1320** and exits the drill bit **1325** to provide lubrication to the drill bit **1325**. Thereafter, the fluid exiting the drill bit **1325** combines with other wellbore fluids to transport cuttings and wellbore debris out of the wellbore **1300**. As the fluid travels up the smaller annular area **1375**, a portion of the fluid is diverted through one or more openings in the main flow tube **1420**, where it eventually exits into the larger annular area **1340**. For the same reasons discussed with respect to FIG. **61**, the annular velocity of fluid in the larger annular area **1340** is increased, thereby increasing the carrying capacity of the fluid. Additionally, the annular velocity of the fluid in the smaller annular area **1375** is reduced, thereby minimizing erosion or pressure damage in the lower wellbore **1300B** by the fluid traveling up the annular area **1375**.

FIG. **63** is a cross-sectional view illustrating a drilling system having a flow apparatus **1400** and an auxiliary flow tube **1405**. In the embodiment shown, the flow apparatus **1400** is disposed on the work string **1320** and the auxiliary flow tube **1405** is disposed on the casing string **1350**. It is to be understood, however, that the flow apparatus **1400** may be disposed at any location on the work string **1320** as well as on the casing string **1350**. Similarly, the auxiliary flow tube **1405** may be positioned at any location on the casing string **1350**. Additionally, it is within the scope of this invention to employ a number of flow apparatus or auxiliary flow tubes. In this embodiment, a portion of the fluid pumped through the work string **1320** may be diverted through the flow apparatus **1400** into the larger annular area **1340**. Additionally, a portion of the high velocity fluid traveling up the smaller annular area **1375** may be communicated through the auxiliary flow tube **1405** into the larger annular area **1340**.

FIG. **64** is a cross-sectional view illustrating a drilling system having a flow apparatus **1400** and a main flow tube **1420**. The work string **1320** extends to the drill bit **1325**. In the embodiment shown, the flow apparatus **1400** is disposed on the work string **1320**, and the main flow tube **1420** is formed between the casing string **1350** and the work string **1320**. It is to be understood, however, that the flow apparatus **1400** may be disposed at any location on the work string **1320** as well as on the casing string **1350**. Additionally, it is within the scope of this invention to employ a number of flow apparatus. In this embodiment, a portion of the fluid pumped through the work string **1320** may be diverted through the flow apparatus **1400** into the larger annular area **1340**. Additionally, a portion of the high velocity fluid traveling up the smaller annular area **1375** may be communicated through the main flow tube **1420** into the larger annular area **1340**.

The operator may selectively open and close the flow apparatus **1400** or the main flow tube **1420**, individually or collectively, to modify the circulation system. For example, an operator may completely open the flow apparatus **1400** and partially close the main flow tube **1420**, thereby injecting circulating fluid in an upper portion of the larger annular area

1340 while maintaining a high annular velocity fluid traveling up the smaller annular area 1375. In the same fashion, the operator may partially close the flow apparatus 1400 and completely open the main flow tube 1420, thereby injecting high velocity fluid to a lower portion of the larger annular area 1340 while allowing minimal circulating fluid into the upper portion of the larger annular area 1340. It is contemplated that various combinations of selectively opening and closing the flow apparatus 1400 or the main flow tube 1420 may be selected to achieve the desired modification to the circulation system. Additionally, the flow apparatus 1400 and the main flow tube 1420 may be hydraulically opened or closed by control lines (not shown) or by other methods well known in the art.

In operation, the drilling assembly having a work string 1320, a running tool 1330, and a casing string 1350 with a drill bit 1325 disposed at a lower end thereof is inserted into an upper wellbore 1300A. Subsequently, the casing string 1350 and the drill bit 1325 are rotated and urged axially downward to form the lower wellbore 1300B. At the same time, circulating fluid or "mud" is circulated to facilitate the drilling process. The fluid provides lubrication for the rotating drill bit 1325 and carries the cuttings up to surface.

During circulation, a portion of the fluid pumped through the work string 1320 may be diverted through the flow apparatus 1400 into the larger annular area 1340. Additionally, a portion of the high velocity fluid traveling up the smaller annular area 1375 may be communicated through the main flow tube 1420 into the larger annular area 1340. In this respect, diverted fluid from the flow apparatus 1400 and the main flow tube 1420 increases the annular velocity of the larger annular area 1340. Additionally, annular velocity of the fluid in the smaller annular area 1375 is reduced. In this manner, the carrying capacity of the circulating fluid is increased, and the equivalent circulating density at the bottom of the wellbore 1300B is reduced.

The methods and apparatus of the present invention are usable with expandable technology to increase an inside and outside diameter of the casing in the wellbore. For example, when drilling a section of wellbore with casing having a drilling device at a lower end, the drilling device is typically a bit portion that has a greater outside diameter than the casing string portion there above. The enlarged portion can be used to house an expansion tool, like a cone. When the string has been drilled into place, the cone can then be urged upwards mechanically, by fluid pressure, or a combination thereof to enlarge the entire casing string to an internal diameter at least as large as the cone. In a more specific example, casing is drilled into the earth using a bit disposed at a lower end thereof. The bit includes fluid pathways that permit drilling fluid to be circulated as the wellbore is formed. After completion of the wellbore, the fluid passageways are selectively closed. Thereafter, fluid is pressurized against the bottom of the string in order to provide an upward force to an expander cone that is housed in an enlarged portion of the casing adjacent the bit. In this manner, the casing is expanded and its diameter enlarged in a bottom up fashion.

A further alternate embodiment of the present invention involves accomplishing a nudging operation to directionally drill a casing 740 into the formation and expanding the casing 740 in a single run of the casing 740 into the formation, as shown in FIGS. 65 and 66. Additionally, cementing of the casing 740 into the formation may optionally be performed in the same run of the casing 740 into the formation. FIGS. 65 show a diverting apparatus 710, including casing 740, an earth removal member or cutting apparatus 750, one or more fluid deflectors 775, and a landing seat 745.

Additional components of the embodiment of FIGS. 65 and 66 include an expansion tool 742 capable of radially expanding the casing 740, preferably an expansion cone; a latching dart 786; and a dart seat 782. The expansion cone 742 may have a smaller outer diameter at its upper end than at its lower end, and preferably slopes radially outward from the upper end to the lower end. The expansion cone 742 may be mechanically and/or hydraulically actuated. The latching dart 786 and dart seat 782 are used in a cementing operation.

In operation, the diverting apparatus 710 is lowered into the wellbore with the expansion cone 742 located therein by alternately jetting and/or rotating the casing 740. The diverting apparatus 710 is preferably lowered into the wellbore by nudging the casing 740. Specifically, to form a deviated wellbore, the rotation of the casing 740 is halted, and a surveying operation is performed using the survey tool (not shown) to determine the location of the one or more fluid deflectors 775 within the wellbore. Stoking may also be utilized to keep track of the location of the fluid deflector(s) 775.

Once the location of the fluid deflector(s) 775 within the wellbore is determined, the casing 740 is rotated if necessary to aim the fluid deflector(s) 775 in the desired direction in which to deflect the casing 740. Fluid is then flowed through the casing 740 and the fluid deflector(s) 775 to form a profile (also termed a "cavity") in the formation. Then, the casing 740 may continue to be jetted into the formation. When desired, the casing 740 is rotated, forcing the casing 740 to follow the cavity in the formation. The locating and aiming of the fluid deflector(s) 775, flowing of fluid through the fluid deflector(s) 775, and further jetting and/or rotating the casing 740 into the formation may be repeated as desired to cause the casing 740 to deflect the wellbore in the desired direction within the formation.

Next, a running tool 725 is introduced into the casing 740. A physically alterable bonding material, preferably cement, is pumped through the running tool 725, preferably an inner string. Cement is flowed from the surface into the casing 740, out the fluid deflector(s) 775, and up through the annulus between the casing 740 and the wellbore. When the desired amount of cement has been pumped, the dart 786 is introduced into the inner string 725. The dart 786 lands and seals on the dart seat 782. The dart 786 stops flow from exiting past the dart seat, thus forming a fluid-tight seal. Pressure applied through the inner string 725 may help urge the expansion cone 742 up to expand the casing 740. In addition to or in lieu of the pressure through the inner string 725, mechanical pulling on the inner string 725 helps urge the expansion cone 742 up.

Rather than using the latching dart 786, a float valve may be utilized to prevent back flow of cement. The latching dart 786 is ultimately secured onto the dart seat 782, preferably by a latching mechanism.

The running tool 725 may be any type of retrieval tool. Preferably, the retrieval of the expansion cone 742 involves threadedly or latch engaging a longitudinal bore through the expansion cone 742 with a lower end of the running tool 725. The running tool 725 is then mechanically pulled up to the surface through the casing 740, taking the attached expansion cone 742 with it. Alternately, the expansion cone 742 may be moved upward due to pumping fluid, down through the casing 740 to push the expansion cone 742 upward due to hydraulic pressure, or by a combination of mechanical and fluid actuation of the expansion cone 742. As the expansion cone 742 moves upward relative to the casing 740, the expansion cone 742 pushes against the interior surface of the casing 740, thereby radially expanding the casing 740 as the expansion cone 742 travels upwardly toward the surface. Thus, the cas-

ing 740 is expanded to a larger internal diameter along its length as the expansion cone 742 is retrieved to the surface.

Preferably, expansion of the casing 740 is performed prior to the cement curing to set the casing 740 within the wellbore, so that expansion of the casing 740 squeezes the cement into 5 remaining voids in the surrounding formation, possibly resulting in a better seal and stronger cementing of the casing 740 in the formation. Although the above operation was described in relation to cementing the casing 740 within the wellbore, expansion of the casing 740 by the expansion cone 10 742 in the method described may also be performed when the casing 740 is set within the wellbore in a manner other than by cement.

The cutting apparatus 750 may be drilled through by a subsequent cutting structure (possibly attached to a subsequent casing) or may be retrieved from the wellbore, depending on the type of cutting structure 750 utilized (e.g., expandable, drillable, or bi-center bit). Regardless of whether the cutting structure 750 is retrievable or drillable, the subsequent casing may be lowered through the casing 740 and drilled to 20 a further depth within the formation. The subsequent casing may optionally be cemented within the wellbore. The process may be repeated with additional casing strings.

The present invention provides methods and apparatus whereby drill string may be used as casing, and the drill string may be cemented in place without using the drill bit mud passages to flow the cement to the annulus between the drill string and the borehole. Selectively openable passages are located in the drill string to allow cement to flow therethrough to cement the drill string in place in the borehole after the well 30 has been completed.

Referring initially to FIG. 67, there is shown at the bottom of a borehole 1020 the terminal end portion of a prior art drill string 1010, having a float sub 1016 connected to the distal end of a length of drill pipe 1018, and having an earth removal member, preferably a drill bit 1012, positioned on the terminal end 1014 of the float sub 1016. Float sub 1016 is threaded over terminus of drill pipe 1018, it being understood that drill pipe 1018 is typically configured in sections of a finite length, and a plurality of such sections are threadingly interconnected so as to connect drill bit 1012 to a drilling platform (not shown) at the earth surface or, where drilling is performed over water, at a position above such water. Also shown within drill string 1010 is a float collar 1022, which is fixed in position within float sub 1016, and which is used to prevent 45 backflow of cementing solution injected into the annulus 1024 between the drill string 1010 and the borehole 1020 back up the hollow region 1026 in the drill string 1010. It is to be understood that the float collar 1022 is shown in FIG. 67 for ease of illustration, and it is not positioned within float sub during drilling operations, and thus mud is free to flow through the float sub 1016 and thence onward to the drill bit 1012, when float collar 1022 is not located therein.

Drill bit 1012 is turned, about the axis of drill string 1010 by the rotation of the drill string 1010 at the upper end thereof (not shown), to further drill the borehole 1020 into the earth. As drilling is ongoing, drilling "mud" is flowed from the surface location, down the hollow region 1026 of the drill string 1010, through float sub 1016 and thence out through passage(s) 1028 in the drill bit 1012, whence it flows 60 upwardly through the annulus 1024 between the drill string 1010 and the wall of the borehole 1020 to the surface location. When the drilling operation is completed, water may be flowed down the hollow region 1026 to flush out remaining mud and thence returned to the surface through annulus 1024, and a physically alterable bonding material such as cement is then flowed down through the hollow region 1026 and thus

into the annulus 1024 to form a seal and support for the drill string 1010 in the borehole 1020. After, or as, the cementing operation is completed, float collar 1022 is pushed or lowered down the interior, hollow, portion of the drill string 1010 and 5 latched into float sub 1016, which thus provides a sealing mechanism to prevent uncured cement in annulus 1024 from flowing back through drill bit 1012 and thus into hollow region 1026 of drill string 1010. Float collar 1022 may also include central passage 1029 therethrough, the opening of which is controlled by a valve 1030, such that cement may still be injected into the annulus 1024 after float collar 1022 is in place, but the valve 1030 will close if cement attempts to pass from the annulus 1024 and back into the drill string 1010. After sufficient cement is flowed down the drill string 1010, 15 valve 1030 prevents cement from flowing back up the bore of the drill string 1010 while the cement cures. In the event cement leaks past valve 1030, wiper plugs 1034, 1032 are also positioned in the hollow region 1026 of the drill string to physically block fluids passing upwardly in drill string 1010.

Referring to FIGS. 68 and 69, there is shown a first embodiment of an improved drill string 1100 for use as casing of the present invention. In this embodiment, the earth removal member, preferably a drill bit 1012, and float sub 1016 are configured to provide a port collar 1102 therebetween, which 25 is configured to selectively provide an alternative fluid passage between hollow region 1026 and annulus 1024, after the mud passages 1028 of the drill bit 1012 are selectively closed-off from communication with hollow region 1026, thereby ensuring that cement may be redirected from the drill bit passages 1028 on its way to annulus 1024.

Referring still to FIGS. 68 and 69, drill bit 1012 includes cutter portion 1110, through which a plurality of passages 1028 are disposed to enable transmission of drilling mud through the bit 1012. Each of the passages 1028 includes a bore end 1112 and an interior end 1114, the interior ends 1114 35 thereof joining in communication with a central aperture 1115 preferably configured to include a generally spherical manifold 1116 having a generally spherical seat surface 1118 through which each of the passages 1028 intersect and communicate with the hollow region 1026 through which mud is flowed from the surface. Extending from the manifold 1116 in the direction of the hollow passage 1026 in drill string 1010 is a reduced cross section, as compared to the width of hollow region 1026, throat region 1120, through which a ball 1122 (FIG. 69 only) can be selectively provided. Ball 1122 is sized such that its spherical diameter is the same as, or substantially the same as, that of the spherical seat 1118, such that when ball 1122 is urged into contact with spherical seat 1118, the interior ends of the passages 1028 will be sealed such that 45 fluids in the hollow region cannot pass through the drill bit 1012 to enter annulus 1024. Ball 1122 is preferably manufactured of an elastomeric or other conformable, and easily milled or drilled, material, such that it can deform slightly to ensure coverage over all drill bit passages 1028 when located in manifold 1116.

Drill bit 1012 is connected to the drill string 1100 through a threaded, or other such connection, to the end of the float sub 1016. Float sub 1016 is configured to have an internal float shoe 1151 received in the inner bore thereof, such that a float collar 1022 as shown in FIGS. 67 and 70, is selectively engageable therewith as, or after, the cementing of the drill string 1100 within the borehole 1020 is completed. Thus, float sub 1016 generally comprises a tubular element having a central bore 1124, a threaded first end 1128 which is threaded 65 over the threaded end 1130 of the lowermost piece of pipe 1034 in the drill string 1100 and a lower terminal end 1132 to which drill bit 1012 is fixed. Within central bore 1124 is

provided a float shoe locking region, to enable a downhole tool, such as a float collar **1022** (see FIG. **67**) to be selectively secured thereto, which in this embodiment is provided by including within the central bore **1124** a second, larger right cylindrical latching bore **1136**. Central bore **1124** communicates, at the lower terminal end **1132** of float sub **1016**, with a manifold **1116**, and, further includes a tapered guiding region **1134** opening into a receiving bore **1138** terminating in a latching lip **1140** extending as a hump, semicircular in cross section extending inwardly into receiving central bore **1138** about its circumference. The float shoe **1151** portion of float sub **1016** may be provided by molding or machining a plastic, cement, or otherwise easily machined material, and press-fitting, molding in place, or otherwise securing this form into the tubular body of the float sub **1016**.

The lower end of float sub **1016** is specifically configured to enable redirect of fluids passing down the drill string **1100** from the passages **1028** in the drill bit **1012** into alternative cement passages **1158** specifically configured for passage of cement therethrough to enable cementing of the drill string **1010** in place in the borehole **1020**. The alternative cement passages **1158** are selectively blocked by a port collar **1102**, which is a sleeve configured to sealingly cover the cement passages **1158** during drilling operations, and then move to enable communication of the passages **1158** with the annulus **1024**. In this embodiment, the port collar **1102** is configured to include an integral piston therewith, and the remainder of the port collar **1102**, in conjunction with the body of the float sub **1016**, forms a cavity **1104** which may be pressurized to cause the piston portion of the port collar **1102** to slide from a position blocking the cement passages **1158** to a position in which the cement passages **1158** form a fluid passageway from the hollow region **1026** of drill string **1010** to annulus **1024**. To enable this structure, the lower end of float sub **1016** includes a first, generally right cylindrical recessed (with respect to the main body portion of the float sub **1016**) face **1150**, which terminates at an upper ledge **1152** which extends from face **1150** to the full outer diameter of the float sub **1016**, and further includes a plurality of pin receiving apertures **1154** extending therein. Face **1150** extends, from ledge **1152**, to a tapered wall **1155** which ends at a second recessed, again generally right circular, face **1156**, through which a plurality of cement passage bores **1158** extend into communication with hollow region **1026**. Second recessed face **1156** ends at an additional tapered wall **1169**, which terminates at a generally right, circular cylindrical port collar face **1159**.

Disposed over this plurality of faces **1150**, **1156**, **1169** and tapered walls **1155**, **1159** is the port collar **1102**. Port collar **1102** is generally configured as a doglegged sleeve, and thus includes a tubular body **1160** having a first end **1162** including a first seal annulus **1164** in the inner face **1166** thereof adjacent the first end **1162**, and an inwardly projecting dogleg portion **1168** forming in the second end **1170** thereof, and likewise including an annular seal annulus **1172** in the inner face thereof. Each of seal annuli **1164**, **1172** have a seal, such as an o-ring seal, located therein, such that the inner face of such seal sealingly engages with the corresponding surface of the lower end of float sub **1016**, i.e., seal **1164** contacts against face **1150**, and seal **1172** contacts port collar face **1159**, and the inner surface sealingly engages the respective annuli **1164**, **1172** base or sides, such that a sealed piston cavity **1104** is formed of the portion of the float collar **1016** covered by the port collar **1102**. Preferably, seal **1164** is larger than seal **1172** to form a differential area for pressure to act on. Additionally, a plurality of pin holes **1174** are provided through the tubular body **1160** of the port collar **1102** adjacent first end **1162** thereof, such that pins **1178** sealingly extend therethrough

and then into pin apertures **1154** in float sub **1016**. Thus, the port collar **1102** both forms a seal between the bores **1158** and the annulus **1024** and is secured against undesired movement on the float sub **1016** by pins **1178**. Additionally, the dogleg portion **1168** forms an annular piston such that, upon pressurization of the piston cavity **1104**, it will cause port collar **1102** to slide along the outer surface of float sub **1016** and thereby open communication of passages **1158** with annulus **1024**.

Referring to FIGS. **68** and **69**, the operation of port collar **1102** is demonstrated as between the closed position of FIG. **68** and the open position of FIG. **69**. In the position of the port collar **1102** shown in FIG. **68**, drilling mud flowing down the hollow portion **1026** of the drill string passes through the bore **1124** of float sub **1016**, thence into manifold **1116** of drill bit **1012** whence it passes through passages **1028** therein and into annulus **1024** where it is returned to the surface. Thus, the port collar **1102** position of FIG. **68** enables traditional flow of fluids through the passages **1028** in the drill bit **1012**, such as during drilling operations. To initiate cementing operations, water may be flowed down the hollow portion **1026** of drill string, and thence through float sub **1016** and drill bit **1012**, to flush remaining loose mud from the drill string components and the annulus **1024**. Then, cement will be flowed down the hollow portion **1026** to be flowed into, and cement the drill string **1010** within, the annulus **1024**. To enable diversion of the cement to cement passages **1158**, and thus prevent cement flow through the drill bit passages **1028**, ball **1122** is inserted into the hollow portion (not shown) of drill string **1010** at the surface location, just before or just as cement is being flowed down the hollow region **1026**, it being understood that cement in a liquid or slurry form is flowed down the hollow portion **1026** immediately over another fluid, such as water or mud, already therein and in the annulus **1024**. Ball **1122** is thus carried down the hollow portion **1026**, through the bore **1124** of float sub **1016**, and thence into manifold **1116** of drill bit **1012** where it covers, and thus seals off, the openings at the interior ends **1114** of mud passages **1028** of drill bit **1012** from the flow of fluids down the hollow portion **1026** of the drill string **1010**.

Although the flow of fluids through the mud passages **1028** of the drill bit **1012** is prevented by positioning of the ball **1122** in manifold **1116**, fluid is still being pumped into the hollow region **1026** from a surface location, and this fluid creates a large pressure in the piston cavity **1104**. When this pressure is sufficiently greater than the pressure in the annulus **1024**, such that the force bearing against the outer surface of dogleg portion **1168** (exposed to fluid in the annulus **1024**), in combination with the shear strength of the pins **1178** holding the port collar **1102** to the float sub **1016** is less than the force bearing against the inner portion or surface of dogleg portion **1168** (exposed to the fluid in piston cavity **1104**), port collar **1102** will slide downwardly about port collar face **1159**, to the position shown in FIG. **69**, thereby opening communication of the cement passages **1158** with the annulus **1024** and enabling cement flowed down the hollow portion **1026** to pass through the cement passages **1158** to flow into annulus **1024**.

Referring now to FIG. **70**, float collar **1022**, which is selectively positionable within float sub **1016**, is shown received within float sub **1016**. Float collar **1022** is essentially a one-way valve having the capability to be remotely positioned in a remote borehole **1020** location as or after fluid which it is intended to control the flow of has entered the borehole **1020**. It will typically be positioned in the float sub **1016** after, or just as, cementing is completed through cement passages

1158, to provide a blocking mechanism and thereby prevent fluid flow of cement back into hollow portion 1026 of drill string 1010.

Float collar 1022 includes a main body portion 1180, having a generally cylindrical, rod like appearance, provided with a central aperture 1182 therethrough, configured to enable selected communication of fluids from hollow portion 1026 therethrough to cement passages 1158. The outer cylindrical surface thereof includes a latch recess 1184, within which are positioned a plurality of spring loaded dogs 1186. When float collar 1022 is positioned within float shoe 1151, dogs 1186 are urged outwardly from collar 1022 by springs positioned between the dogs 1186 and the body of float collar 1022, and thereby engage within the latching bore 1136 of float shoe 1151 to retain float collar 1022 therein. The float collar 1022 further includes, at the end thereof furthest from the drill bit 1012 location, a wiper seal 1188, in the form of an annular ring, and at the end thereof closest to the drill bit 1022, a check valve 1190 in fluid communication with central aperture 1182 of float collar 1022. Check valve 1190 comprises a valve cavity 1192 integral of float collar body, having a lower, inwardly protruding spring ledge 1193, an upper, semi-spherical valve seat 1194, and a spring 1196 loaded valve 1198 having a semi-spherical sealing surface 1200. Spring 1196 is carried on spring ledge 1193, and it extends therefrom to the rear side of sealing surface 1200. Valve seat 1194 is positioned such that aperture 1182 intersects valve seat 1194, and when spring 1196 urges valve 1198 thereagainst, sealing surface 1200 blocks aperture 1182, thereby preventing fluid flow therethrough in a direction where such fluid would otherwise enter hollow portion 1026. Thus, if the pressure in central aperture 1182, formed by the fluids flowing down hollow portion 1026, is greater than the pressure in the region of cement passages 1158 plus the force of spring 1196 tending to urge the valve 1190 to a closed position, the valve sealing surface 1200 will back off seat 1194, allowing flow therethrough in the direction of cement passages 1158. However, if the pressure in the central aperture 1182 drops below that in the cementing passages 1158 plus the force associated with the spring 1196, the valve 1190 will close positioning the sealing surface 1200 against the seat 1194, preventing flow in the direction from cement passages 1158 to hollow portion 1026 of drill string 1010.

To position the float collar 1022 in the float sub 1016, the float collar 1022 is lowered down the hollow portion 1026 of the drill string 1010, such as on a wire or cable, or, if necessary, on a more rigid mechanism, such that the valve 1190 end of the float collar 1022 enters through bore 1124 of the float sub 1016. As the float collar 1022 is lowered, cement is flowing down the hollow portion 1026, so that upon insertion of the valve 1190 end of the float collar 1022 into the bore 1124 of float sub 1016, the float collar 1022 substantially blocks the bore 1124 and the weight of the cement in the hollow portion 1026 (including other fluids which may be located above the cement in the hollow portion 1026), bears upon the float collar 1022 and tends to force it into the float sub 1016. Dogs 1186 may be in a retracted position, such that a trigger mechanism (not shown) is provided which causes therein expansion from the recess 1184 and into latching bore 1136, or the dogs 1186 may enter into the drill string 1010 in the extended position shown in FIG. 70, such that the tapered portion 1134 of bore 1124 will cause the dogs 1186 to recess into latching bore 1136 and the dogs 1186 will re-extend upon reaching latching bore 1136. Alternatively, the float collar 1022 may be pumped down with plug 1121 ahead of the cement.

Referring still to FIG. 70, a plurality of wiper plugs 1121, 1123 may also be provided downhole during cementing operations. The first, or bottom wiper plug 1121 is a generally cylindrical member having an outer contoured surface 1125 forming a plurality of ridges 1126 of a sinusoidal cross-section, terminating in opposed flat ends 1127, 1129, and further including a central bore 1131 therethrough. The lowermost of the ridges 1126 is positionable over latching lip 1140 on float shoe 1151 to lock first wiper plug 1121 in position in the borehole 1020. Second wiper plug 1123 likewise includes opposed flat ends 1127, 1129 and ridges 1126, but no through-bore. Ridges 1126 on both wiper plugs 1121, 1123 are sized to contact, in compression, the interior of the drill string 1010 and thereby form a barrier or seal between the areas on either side thereof. Wiper plugs 1121, 1123 provide additional security against the backing out of the float collar 1022 from float sub 1016, and against leakage of cement from the annulus 1024 and back up the hollow portion 1026 of the drill string 1010.

Once the cement has hardened in the annulus 1024, float collar 1022 may be removed from the float sub 1016. Typically, float collar 1022 includes a mechanism for retracting the dogs 1186, such as by twisting the float collar 1022 or otherwise, thereby retracting dogs 1186 and allowing float collar 1022 to be pulled from the well, after first pulling wiper plugs 1121, 1123. Alternatively, float collar 1022, wiper plugs 1121, 1123 and drill bit 1012, along with float sub 1016, may be ground up at the base of the well by a grinding or milling tool (not shown) sent down the drill string 1010 for that purpose. Alternatively, wiper plugs 1121, 1123, float collar 1022, ball 1122, and drill bit 1012 may be drilled up with a subsequent drill string so that the well may be drilled deeper. Alternatively still, float collar 1022, float shoe 1151, drill bit 1012, and wiper plugs 1121, 1123 may be left in place at the base of the borehole 1020, and a production zone can be established above the upper wiper plug 1123, by perforating the drill string 1010 at that location.

In another embodiment, the float collar may comprise a flapper valve. In this respect, the flapper valve may be run in place. Thereafter, a ball may be pumped through the flapper valve, thereby eliminating the need to lower or pump the float collar into the float sub.

Referring now to FIGS. 71 and 72, there is shown an alternative embodiment of the present invention, wherein the port collar 1102 of FIGS. 68-70 is replaced with a membrane 1133. In this embodiment, all other features of the invention and application of the invention to a cementing operation remain the same as in the embodiment described with respect to FIGS. 68-70, except that the port collar 1102 and the modifications to the float sub 1016 needed to use the port collar 1102 are not necessary. In their place is provided a cement aperture 1202, configured to be in communication with spherical manifold 1116. The membrane 1133, configured of a material capable of withstanding the pressure of the drilling mud circulating through the drill string 1010 and annulus 1024 while drilling is occurring, covers the cement aperture 1202 so as to seal it off from communication between the annulus 1024 and manifold 1116.

To enable cementing in this embodiment, ball 1122 is placed into the drill string 1010 as before, as shown in FIG. 72, where the ball 1122 passes through bore 1124 of float sub 1016 and thence makes its way to spherical manifold 1116 of drill bit 1012 to be received against, and deform against, spherical seat 1116 where it blocks passage of drilling mud through drill bit passages 1028. Thus, the hydrostatic head of the drilling mud, or, if desired at this point, water or cement, bears upon membrane 1133, causing it to rupture, thereby

causing the fluid to pass through cement aperture **1202** and thence up into annulus **1024** to cement the drill string **1010** in place in the borehole **1020**. As in the first embodiment, the float collar **1022** and wiper plugs **1121**, **1123** (as shown in FIG. **70**) are used to ensure that cement does not flow back out the annulus **1024** and up the drill string **1010**, and, the wiper plugs may be either removed, ground or drilled through, or left in place, as discussed with respect to the first embodiment.

Although the port collar **1102**, or cement aperture **1202**, is described herein as being positioned in the drill string **1010** with respect to a float sub **1016** located immediately adjacent to the drill bit **1012**, it should be understood that such features may be provided in any location intermediate the drill bit **1012** and the surface location. Cementing operations for deep wells may require cement introduction at several depth locations along the casing **1010** to create proper cementing conditions. Therefore, it is specifically contemplated that the drill string **1010** can include a plurality of fluid diversion members along its length. For example, once the cementing operation is completed at the bottom of the well, the cement may only extend up the annulus **1024** between the drill string **1010** and borehole **1020** a fraction of the length of the borehole **1020**. As such level of cement may be predicted and/or controlled, the fluid diversion apparatus such as the port collar **1102** or the membrane **1133** of the present invention can be placed at predictable locations for its use. To enable a cementing operation, the selected diverting apparatus is provided in the drill string **1010** in a known location or locations, and a plug may be placed at a location in the drill string **1010** below the diverting apparatus, to seal off the drill string **1010** below that location. Then a float sub such as float sub **1016**, may be positioned above the diverting apparatus, and the cement flowed to cause the diverting apparatus to open and thus direct cement into the annulus **1024** at that location. The various collars and other peripheral devices placed downhole during cementing may be drilled out with a bit or mill placed down the drill string **1010** after each sequential cementing operation, or, alternatively, after all cementing has been completed.

In one embodiment, the present invention includes a method for lining a wellbore comprising providing a drilling assembly comprising an earth removal member and a wellbore lining conduit, wherein the drilling assembly includes a first fluid flow path and a second fluid flow path; advancing the drilling assembly into the earth; flowing a fluid through the first fluid flow path and returning at least a portion of the fluid through the second fluid flow path; and leaving the wellbore lining conduit at a location within the wellbore. In one aspect, the drilling assembly further includes a third fluid flow path and the method further comprises flowing at least a portion of the fluid through the third fluid flow path. In another embodiment, the present invention includes a method for lining a wellbore comprising providing a drilling assembly comprising an earth removal member and a wellbore lining conduit, wherein the drilling assembly includes a first fluid flow path and a second fluid flow path; advancing the drilling assembly into the earth; flowing a fluid through the first fluid flow path and returning at least a portion of the fluid through the second fluid flow path; and leaving the wellbore lining conduit at a location within the wellbore, wherein the first and second fluid flow paths are in opposite directions.

In another embodiment, the present invention includes a method for lining a wellbore comprising providing a drilling assembly comprising an earth removal member and a wellbore lining conduit, wherein the drilling assembly includes a first fluid flow path and a second fluid flow path; advancing the drilling assembly into the earth; flowing a fluid through

the first fluid flow path and returning at least a portion of the fluid through the second fluid flow path; and leaving the wellbore lining conduit at a location within the wellbore, wherein the drilling assembly comprises a tubular assembly, at least a portion of the tubular assembly being disposed within the wellbore lining conduit. In one aspect, the first fluid flow path is within the tubular assembly.

One embodiment of the present invention includes a method for lining a wellbore comprising providing a drilling assembly comprising an earth removal member and a wellbore lining conduit, wherein the drilling assembly includes a first fluid flow path and a second fluid flow path; advancing the drilling assembly into the earth; flowing a fluid through the first fluid flow path and returning at least a portion of the fluid through the second fluid flow path; and leaving the wellbore lining conduit at a location within the wellbore, wherein the drilling assembly comprises a tubular assembly, at least a portion of the tubular assembly being disposed within the wellbore lining conduit, wherein the second fluid flow path is within the tubular assembly.

Yet another embodiment of the present invention includes a method for lining a wellbore comprising providing a drilling assembly comprising an earth removal member and a wellbore lining conduit, wherein the drilling assembly includes a first fluid flow path and a second fluid flow path; advancing the drilling assembly into the earth; flowing a fluid through the first fluid flow path and returning at least a portion of the fluid through the second fluid flow path; and leaving the wellbore lining conduit at a location within the wellbore, wherein the drilling assembly comprises a tubular assembly, at least a portion of the tubular assembly being disposed within the wellbore lining conduit; and providing a first sealing member on an outer portion of the wellbore lining conduit. In one aspect, the method further comprises supplying a physically alterable bonding material through the drilling assembly to an annular area defined by an inner surface of the wellbore and an outer surface of the wellbore lining conduit. In another aspect of the present invention, supplying the physically alterable bonding material through the drilling assembly to the annular area comprises flowing the physically alterable bonding material into a second annular area between the tubular assembly and the wellbore lining conduit at a location below the second sealing member.

In another embodiment, the present invention includes a method for lining a wellbore comprising providing a drilling assembly comprising an earth removal member and a wellbore lining conduit, wherein the drilling assembly includes a first fluid flow path and a second fluid flow path; advancing the drilling assembly into the earth; flowing a fluid through the first fluid flow path and returning at least a portion of the fluid through the second fluid flow path; leaving the wellbore lining conduit at a location within the wellbore, wherein the drilling assembly comprises a tubular assembly, at least a portion of the tubular assembly being disposed within the wellbore lining conduit; providing a first sealing member on an outer portion of the wellbore lining conduit; supplying a physically alterable bonding material through the drilling assembly to an annular area defined by an inner surface of the wellbore and an outer surface of the wellbore lining conduit; and actuating the first sealing member to retain the physically alterable bonding material in the annular area.

In one embodiment, the present invention includes a method for lining a wellbore comprising providing a drilling assembly comprising an earth removal member and a wellbore lining conduit, wherein the drilling assembly includes a first fluid flow path and a second fluid flow path; advancing the drilling assembly into the earth; flowing a fluid through

lining conduit at a location within the wellbore, wherein the drilling assembly comprises a tubular assembly, at least a portion of the tubular assembly being disposed within the wellbore lining conduit, wherein the drilling assembly further comprises at least one stabilizing member thereon. In one aspect, the at least one stabilizing member is eccentrically disposed on at least a portion of the tubular assembly. In another aspect, the at least one stabilizing member is adjustable.

Another embodiment of the present invention provides a method for lining a wellbore comprising providing a drilling assembly comprising an earth removal member and a wellbore lining conduit, wherein the drilling assembly includes a first fluid flow path and a second fluid flow path; advancing the drilling assembly into the earth; flowing a fluid through the first fluid flow path and returning at least a portion of the fluid through the second fluid flow path; leaving the wellbore lining conduit at a location within the wellbore, wherein the drilling assembly comprises a tubular assembly, at least a portion of the tubular assembly being disposed within the wellbore lining conduit, wherein the drilling assembly further comprises a bent housing. An embodiment of the present invention provides a method for lining a wellbore comprising providing a drilling assembly comprising an earth removal member and a wellbore lining conduit, wherein the drilling assembly includes a first fluid flow path and a second fluid flow path; advancing the drilling assembly into the earth; flowing a fluid through the first fluid flow path and returning at least a portion of the fluid through the second fluid flow path; leaving the wellbore lining conduit at a location within the wellbore, wherein the drilling assembly comprises a tubular assembly, at least a portion of the tubular assembly being disposed within the wellbore lining conduit, wherein the earth removal member includes at least one jetting orifice for flowing a fluid therethrough.

In yet another embodiment, the present invention includes a method for lining a wellbore comprising providing a drilling assembly comprising an earth removal member and a wellbore lining conduit, wherein the drilling assembly includes a first fluid flow path and a second fluid flow path; advancing the drilling assembly into the earth; flowing a fluid through the first fluid flow path and returning at least a portion of the fluid through the second fluid flow path; leaving the wellbore lining conduit at a location within the wellbore, wherein the drilling assembly comprises a tubular assembly, at least a portion of the tubular assembly being disposed within the wellbore lining conduit, wherein the second fluid flow path is within an annular area formed between an outer surface of the tubular assembly and an inner surface of the wellbore lining conduit. Another embodiment of the present invention provides a method for lining a wellbore comprising providing a drilling assembly comprising an earth removal member and a wellbore lining conduit, wherein the drilling assembly includes a first fluid flow path and a second fluid flow path; advancing the drilling assembly into the earth; flowing a fluid through the first fluid flow path and returning at least a portion of the fluid through the second fluid flow path; leaving the wellbore lining conduit at a location within the wellbore, wherein the drilling assembly comprises a tubular assembly, at least a portion of the tubular assembly being disposed within the wellbore lining conduit, wherein the first fluid flow path is within an annular area formed between an outer surface of the tubular assembly and an inner surface of the wellbore lining conduit.

An embodiment of the present invention includes a method for lining a wellbore comprising providing a drilling assembly comprising an earth removal member and a wellbore

lining conduit, wherein the drilling assembly includes a first fluid flow path and a second fluid flow path; advancing the drilling assembly into the earth; flowing a fluid through the first fluid flow path and returning at least a portion of the fluid through the second fluid flow path; and leaving the wellbore lining conduit at a location within the wellbore, wherein the first and second fluid flow paths are in fluid communication when the drilling assembly is disposed in the wellbore. Another embodiment includes a method for lining a wellbore comprising providing a drilling assembly comprising an earth removal member and a wellbore lining conduit, wherein the drilling assembly includes a first fluid flow path and a second fluid flow path; advancing the drilling assembly into the earth; flowing a fluid through the first fluid flow path and returning at least a portion of the fluid through the second fluid flow path; and leaving the wellbore lining conduit at a location within the wellbore, wherein advancing the drilling assembly into the earth comprises rotating at least a portion of the drilling assembly. In one aspect, the rotating portion of the drilling assembly comprises the earth removal member.

An additional embodiment of the present invention provides a method for lining a wellbore comprising providing a drilling assembly comprising an earth removal member and a wellbore lining conduit, wherein the drilling assembly includes a first fluid flow path and a second fluid flow path; advancing the drilling assembly into the earth; flowing a fluid through the first fluid flow path and returning at least a portion of the fluid through the second fluid flow path; leaving the wellbore lining conduit at a location within the wellbore; and removing at least a portion of the drilling assembly from the wellbore. In one aspect, the method further comprises conveying a cementing assembly into the wellbore. In another aspect, the method further comprises supplying a physically alterable bonding material through the cementing assembly to an annular area defined by an inner surface of the wellbore and an outer surface of the wellbore lining conduit.

An embodiment of the present invention provides a method for lining a wellbore comprising providing a drilling assembly comprising an earth removal member and a wellbore lining conduit, wherein the drilling assembly includes a first fluid flow path and a second fluid flow path; advancing the drilling assembly into the earth; flowing a fluid through the first fluid flow path and returning at least a portion of the fluid through the second fluid flow path; and leaving the wellbore lining conduit at a location within the wellbore, wherein at least a portion of the drilling assembly extends below a lower end of the wellbore lining conduit while advancing the drilling assembly into the earth. An additional embodiment provides a method for lining a wellbore comprising providing a drilling assembly comprising an earth removal member and a wellbore lining conduit, wherein the drilling assembly includes a first fluid flow path and a second fluid flow path; advancing the drilling assembly into the earth; flowing a fluid through the first fluid flow path and returning at least a portion of the fluid through the second fluid flow path; leaving the wellbore lining conduit at a location within the wellbore; and relatively moving a portion of the drilling assembly and the wellbore lining conduit. In one aspect, the method further comprises reducing a length of the drilling assembly.

Another embodiment includes a method for lining a wellbore comprising providing a drilling assembly comprising an earth removal member and a wellbore lining conduit, wherein the drilling assembly includes a first fluid flow path and a second fluid flow path; advancing the drilling assembly into the earth; flowing a fluid through the first fluid flow path and returning at least a portion of the fluid through the second fluid flow path; leaving the wellbore lining conduit at a loca-

tion within the wellbore; relatively moving a portion of the drilling assembly and the wellbore lining conduit; and advancing the wellbore lining conduit proximate a bottom of the wellbore. In another embodiment, the present invention includes a method for lining a wellbore comprising providing a drilling assembly comprising an earth removal member and a wellbore lining conduit, wherein the drilling assembly includes a first fluid flow path and a second fluid flow path; advancing the drilling assembly into the earth; flowing a fluid through the first fluid flow path and returning at least a portion of the fluid through the second fluid flow path; leaving the wellbore lining conduit at a location within the wellbore; relatively moving a portion of the drilling assembly and the wellbore lining conduit; and engaging a cementing orifice with the drilling assembly. In one aspect, the method further comprises supplying a physically alterable bonding material through a portion of the first fluid flow path and through the cementing orifice to an annular area defined by an outer surface of the wellbore lining conduit and an inner surface of the wellbore. In another aspect, the method further comprises disengaging the cementing orifice and removing at least a portion of the drilling assembly from the wellbore.

An embodiment of the present invention provides a method for lining a wellbore comprising providing a drilling assembly comprising an earth removal member and a wellbore lining conduit, wherein the drilling assembly includes a first fluid flow path and a second fluid flow path; advancing the drilling assembly into the earth; flowing a fluid through the first fluid flow path and returning at least a portion of the fluid through the second fluid flow path; leaving the wellbore lining conduit at a location within the wellbore; and closing at least a portion of the first fluid flow path. In one aspect, the method further comprises introducing a physically alterable bonding material through the first fluid flow path to an annular area defined by an outer surface of the wellbore lining conduit and an inner surface of the wellbore. In another aspect, the method further comprises activating one or more sealing elements to substantially seal the annular area. In yet another aspect, the inner surface of the wellbore comprises an inner surface of a wellbore casing.

In another embodiment, the present invention includes a method for lining a wellbore comprising providing a drilling assembly comprising an earth removal member and a wellbore lining conduit, wherein the drilling assembly includes a first fluid flow path and a second fluid flow path; advancing the drilling assembly into the earth; flowing a fluid through the first fluid flow path and returning at least a portion of the fluid through the second fluid flow path; and leaving the wellbore lining conduit at a location within the wellbore, wherein the wellbore lining conduit comprises at least one fluid flow restrictor on an outer surface thereof. In one aspect, the method further comprises flowing the fluid through an annular area defined by an inner surface of the wellbore and an outer surface of the wellbore lining conduit.

Yet another embodiment includes a method for lining a wellbore comprising providing a drilling assembly comprising an earth removal member and a wellbore lining conduit, wherein the drilling assembly includes a first fluid flow path and a second fluid flow path; advancing the drilling assembly into the earth; flowing a fluid through the first fluid flow path and returning at least a portion of the fluid through the second fluid flow path; leaving the wellbore lining conduit at a location within the wellbore; and conveying a cementing assembly into the wellbore. In one aspect, the method further comprises providing the wellbore lining conduit with a one-way valve disposed at lower portion thereof. In another aspect, the method further comprises supplying a physically alterable

bonding material at a first location in an annular area defined by an outer surface of the wellbore lining conduit and an inner surface of the wellbore and a second location in the annular area. In yet another aspect, supplying the physically alterable bonding material to the first location comprises supplying the physically alterable material through the one way valve, and supplying the physically alterable bonding material to the second location comprises supplying the physically alterable material to the second location through a port disposed above the one way valve.

Another embodiment includes a method for lining a wellbore comprising providing a drilling assembly comprising an earth removal member and a wellbore lining conduit, wherein the drilling assembly includes a first fluid flow path and a second fluid flow path; advancing the drilling assembly into the earth; flowing a fluid through the first fluid flow path and returning at least a portion of the fluid through the second fluid flow path; leaving the wellbore lining conduit at a location within the wellbore; conveying a cementing assembly into the wellbore; and providing the cementing assembly with a single direction plug. In one aspect, the method further comprises supplying a physically alterable bonding material to an annular area defined by an outer surface of the wellbore lining conduit and an inner surface of the wellbore. In another aspect, the method further comprises releasing the single direction plug in the wellbore conduit and positioning the single direction plug at a desire location in the wellbore lining conduit. In yet another aspect, the single direction plug is positioned by actuating a gripping member.

In one embodiment, the present invention provides a method for lining a wellbore comprising providing a drilling assembly comprising an earth removal member and a wellbore lining conduit, wherein the drilling assembly includes a first fluid flow path and a second fluid flow path; advancing the drilling assembly into the earth; flowing a fluid through the first fluid flow path and returning at least a portion of the fluid through the second fluid flow path; leaving the wellbore lining conduit at a location within the wellbore; and flowing a second portion of the fluid through a third flow path. In one aspect, the third flow path directs the second portion of the fluid to an annular area between the wellbore lining conduit and the wellbore. Another embodiment of the present invention provides a method for lining a wellbore comprising providing a drilling assembly comprising an earth removal member and a wellbore lining conduit, wherein the drilling assembly includes a first fluid flow path and a second fluid flow path; advancing the drilling assembly into the earth; flowing a fluid through the first fluid flow path and returning at least a portion of the fluid through the second fluid flow path; leaving the wellbore lining conduit at a location within the wellbore; and flowing a second portion of the fluid through a third flow path, wherein the third flow path comprises an annular area between the wellbore lining conduit and the wellbore.

The present invention provides in another embodiment a method for lining a wellbore comprising providing a drilling assembly comprising an earth removal member and a wellbore lining conduit, wherein the drilling assembly includes a first fluid flow path and a second fluid flow path; advancing the drilling assembly into the earth; flowing a fluid through the first fluid flow path and returning at least a portion of the fluid through the second fluid flow path; and leaving the wellbore lining conduit at a location within the wellbore, wherein the earth removal member is capable of forming a hole having a larger outer diameter than an outer diameter of the wellbore lining conduit. An additional embodiment of the present invention provides a method for lining a wellbore

fluid flow path when the drilling assembly is disposed in the wellbore, further comprising at least one component selected from the group consisting of a mud motor; logging while drilling system; measure while drilling system; gyro landing sub; a geophysical measurement sensor; a stabilizer; an adjustable stabilizer; a steerable system; a bent motor housing; a 3D rotary steerable system; a pilot bit; an underreamer; a bi-center bit; an expandable bit; at least one nozzle for directional drilling; and combination thereof.

An embodiment of the present invention provides a method of drilling with liner, comprising forming a wellbore with an assembly including an earth removal member mounted on a work string and a section of liner disposed therearound, the earth removal member extending below a lower end of the liner; lowering the liner to a location in the wellbore adjacent the earth removal member; circulating a fluid through the earth removal member; fixing the liner section in the wellbore; and removing the work string and the earth removal member from the wellbore. In one aspect, circulating the fluid includes flowing the fluid through an annular area defined between an outer surface of the work string and an inner surface of the liner section.

An additional embodiment of the present invention provides a method of drilling with liner, comprising forming a wellbore with an assembly including an earth removal member mounted on a work string and a section of liner disposed therearound, the earth removal member extending below a lower end of the liner; lowering the liner to a location in the wellbore adjacent the earth removal member; circulating a fluid through the earth removal member; fixing the liner section in the wellbore; and removing the work string and the earth removal member from the wellbore, wherein the liner section is fixed at an upper end to a casing section. Another embodiment includes a method of drilling with liner, comprising forming a wellbore with an assembly including an earth removal member mounted on a work string and a section of liner disposed therearound, the earth removal member extending below a lower end of the liner; lowering the liner to a location in the wellbore adjacent the earth removal member; circulating a fluid through the earth removal member; fixing the liner section in the wellbore; and removing the work string and the earth removal member from the wellbore, wherein the earth removal member and the work string are operatively connected to the liner section during drilling and disconnected therefrom prior to removal of the work string and the earth removal member.

Another embodiment of the present invention provides a method of drilling with liner, comprising forming a wellbore with an assembly including an earth removal member mounted on a work string and a section of liner disposed therearound, the earth removal member extending below a lower end of the liner; lowering the liner to a location in the wellbore adjacent the earth removal member; circulating a fluid through the earth removal member; fixing the liner section in the wellbore; removing the work string and the earth removal member from the wellbore; and cementing the liner section in the wellbore. Another embodiment of the present invention provides a method of drilling with liner, comprising forming a wellbore with an assembly including an earth removal member mounted on a work string and a section of liner disposed therearound, the earth removal member extending below a lower end of the liner; lowering the liner to a location in the wellbore adjacent the earth removal member; circulating a fluid through the earth removal member; fixing the liner section in the wellbore; removing the work string and the earth removal member from the wellbore; and flowing fluid through the section of liner and the wellbore.

An embodiment of the present invention includes a method of casing a wellbore, comprising providing a drilling assembly including a tubular string having an earth removal member operatively connected to its lower end, and a casing, at least a portion of the tubular string extending below the casing; lowering the drilling assembly into a formation; lowering the casing over the portion of the drilling assembly; and circulating fluid through the casing. In one aspect, circulating fluid through the casing comprises flowing at least two fluid paths through the casing. In another aspect, the at least two fluid paths are in opposite directions. Another embodiment of the present invention includes a method of casing a wellbore, comprising providing a drilling assembly including a tubular string having an earth removal member operatively connected to its lower end, and a casing, at least a portion of the tubular string extending below the casing; lowering the drilling assembly into a formation; lowering the casing over the portion of the drilling assembly; and circulating fluid through the casing, wherein circulating fluid through the casing comprises flowing at least two fluid paths through the casing and at least one of the at least two fluid paths flows to a surface of the wellbore.

In another embodiment, the present invention provides a method of drilling with liner, comprising forming a section of wellbore with an earth removal member operatively connected to a section of liner; lowering the section of liner to a location proximate a lower end of the wellbore; and circulating fluid while lowering, thereby urging debris from the bottom of the wellbore upward utilizing a flow path formed within the liner section. In yet another embodiment, the present invention provides a method of drilling with liner, comprising forming a section of wellbore with an assembly comprising an earth removal tool on a work string fixed at a predetermined distance below a lower end of a section of liner; fixing an upper end of the liner section to a section of casing lining the wellbore; releasing a latch between the work string and the liner section; reducing the predetermined distance between the lower end of the liner section and the earth removal tool; releasing the assembly from the section of casing; re-fixing the assembly to the section of casing at a second location; and circulating fluid in the wellbore.

Another embodiment includes a method of casing a wellbore, comprising providing a drilling assembly comprising a casing, and a tubular string releasably connected to the casing, the tubular string having an earth removal member operatively attached to its lower end, a portion of the tubular string located below a lower end of the casing; lowering the drilling assembly into a formation to form a wellbore; hanging the casing within the wellbore; moving the portion of the tubular string into the casing; and lowering the casing into the wellbore. In one aspect, the method further comprises circulating fluid while lowering the casing into the wellbore. Another embodiment includes a method of casing a wellbore, comprising providing a drilling assembly comprising a casing, and a tubular string releasably connected to the casing, the tubular string having an earth removal member operatively attached to its lower end, a portion of the tubular string located below a lower end of the casing; lowering the drilling assembly into a formation to form a wellbore; hanging the casing within the wellbore; moving the portion of the tubular string into the casing; lowering the casing into the wellbore; and releasing the releasable connection prior to moving the portion of the tubular string into the casing.

In one embodiment, the present invention provides a method of cementing a liner section in a wellbore, comprising removing a drilling assembly from a lower end of the liner section, the drilling assembly including an earth removal tool

and a work string; inserting a tubular path for flowing a physically alterable bonding material, the tubular path extending to the lower end of the liner section and including a valve assembly permitting the cement to flow from the lower section in a single direction; flowing the physically alterable bonding material through the tubular path and upwards in an annulus between the liner section and the wellbore therearound; closing the valve; and removing the tubular path, thereby leaving the valve assembly in the wellbore. In one aspect, the valve assembly includes one or more sealing members to seal an annulus between the valve assembly and an inside surface of the liner section.

In another embodiment, the present invention provides a method of cementing a liner section in a wellbore, comprising removing a drilling assembly from a lower end of the liner section, the drilling assembly including an earth removal tool and a work string; inserting a tubular path for flowing a physically alterable bonding material, the tubular path extending to the lower end of the liner section and including a valve assembly permitting the cement to flow from the lower section in a single direction; flowing the physically alterable bonding material through the tubular path and upwards in an annulus between the liner section and the wellbore therearound; closing the valve; and removing the tubular path, thereby leaving the valve assembly in the wellbore, wherein the valve assembly is drillable to form a subsequent section of wellbore.

In an embodiment, the present invention provides a method of drilling with liner, comprising providing a drilling assembly comprising a liner having a tubular member therein, the tubular member operatively connected to an earth removal member and having a fluid path through a wall thereof, the fluid path disposed above a lower portion of the tubular member; lowering the drilling assembly into the earth, thereby forming a wellbore; sealing an annulus between an outer diameter of the tubular member and the wellbore; sealing a longitudinal bore of the tubular member; and flowing a physically alterable bonding material through the fluid path, thereby preventing the physically alterable bonding material from entering the lower portion of the tubular member. In one aspect, the method further comprises activating at least one sealing member to seal an annulus above the fluid path, the annulus being between the wellbore and an outer diameter of the liner.

An embodiment of the present invention provides a method for placing tubulars in an earth formation comprising advancing concurrently a portion of a first tubular and a portion of a second tubular to a first location in the earth; and further advancing the second tubular to a second location in the earth. In one aspect, the method further comprises cementing a portion of one of the first and second tubulars. Another embodiment includes a method for placing tubulars in an earth formation comprising advancing concurrently a portion of a first tubular and a portion of a second tubular to a first location in the earth; further advancing the second tubular to a second location in the earth; and cementing each of the first and second tubulars

Another embodiment of the present invention includes a method for placing tubulars in an earth formation comprising advancing concurrently a portion of a first tubular and a portion of a second tubular to a first location in the earth; further advancing the second tubular to a second location in the earth; and advancing a portion of a third tubular to a third location. Another embodiment includes a method for placing tubulars in an earth formation comprising advancing concurrently a portion of a first tubular and a portion of a second tubular to a first location in the earth; further advancing the

second tubular to a second location in the earth; and expanding a portion of one of the first and second tubulars.

Another embodiment provides a method for placing tubulars in an earth formation comprising advancing concurrently a portion of a first tubular and a portion of a second tubular to a first location in the earth; and further advancing the second tubular to a second location in the earth, wherein the advancing includes drilling. Another embodiment provides a method for placing tubulars in an earth formation comprising advancing concurrently a portion of a first tubular and a portion of a second tubular to a first location in the earth; and further advancing the second tubular to a second location in the earth, wherein the further advancing includes drilling. Yet another embodiment provides a method for placing tubulars in an earth formation comprising advancing concurrently a portion of a first tubular and a portion of a second tubular to a first location in the earth; and further advancing the second tubular to a second location in the earth, wherein a trajectory of the tubulars is selectively altered during the advancing to the first location

An embodiment of the present invention includes a method for placing tubulars in an earth formation comprising advancing concurrently a portion of a first tubular and a portion of a second tubular to a first location in the earth; and further advancing the second tubular to a second location in the earth, wherein a trajectory of the second tubular is selectively altered during the further advancing to the second location. An additional embodiment includes a method for placing tubulars in an earth formation comprising advancing concurrently a portion of a first tubular and a portion of a second tubular to a first location in the earth; further advancing the second tubular to a second location in the earth, and sensing a geophysical parameter. Yet another embodiment includes a method for placing tubulars in an earth formation comprising advancing concurrently a portion of a first tubular and a portion of a second tubular to a first location in the earth; further advancing the second tubular to a second location in the earth; and pressure testing one of the first and second tubulars.

Another embodiment of the present invention provides a method for placing tubulars in an earth formation comprising advancing concurrently a portion of a first tubular and a portion of a second tubular to a first location in the earth; and further advancing the second tubular to a second location in the earth, wherein the second tubular is operatively connected to a drilling assembly. Another embodiment provides a method for placing tubulars in an earth formation comprising advancing concurrently a portion of a first tubular and a portion of a second tubular to a first location in the earth; and further advancing the second tubular to a second location in the earth, wherein the drilling assembly is selectively detachable from the second tubular. In one aspect, at least a portion of the drilling assembly is retrievable.

Another embodiment provides a method for placing tubulars in an earth formation comprising advancing concurrently a portion of a first tubular and a portion of a second tubular to a first location in the earth; further advancing the second tubular to a second location in the earth; inserting a drilling assembly in the second tubular; and advancing the drilling assembly through a lower end of the second tubular. In one aspect, the drilling assembly includes an earth removal member and a third tubular. In another aspect, the drilling assembly further includes a first fluid flow path and a second fluid flow path. In yet another aspect, the method further comprises flowing fluid through the first fluid flow path and returning at least a portion of the fluid through the second fluid flow path. In yet another aspect, the method further comprises leaving

the third tubular in a third location in the earth. In another aspect, the method further comprises cementing the third tubular with the drilling assembly.

An embodiment of the present invention provides an apparatus for forming a wellbore, comprising a casing string with a drill bit disposed at an end thereof; and a fluid bypass operatively connected to the casing string for diverting a portion of fluid from a first location to a second location within the wellbore as the wellbore is formed. In one aspect, the fluid bypass is formed at least partially within the casing string.

An additional embodiment of the present invention includes a method of cementing a borehole, comprising extending a drill string into the earth to form the borehole, the drill string including an earth removal member having at least one fluid passage therethrough, the earth removal member operatively connected to a lower end of the drill string; drilling the borehole to a desired location using a drilling mud passing through the at least one fluid passage; providing at least one secondary fluid passage between the interior of the drill string and the borehole; and directing a physically alterable bonding material into an annulus between the drill string and the borehole through the at least one secondary fluid passage. In one aspect, the method further comprises flowing a physically alterable bonding material through the drill string and into an annulus between the drill string and the borehole prior to directing the physically alterable bonding material into the annulus between the drill string and the borehole through the at least one secondary fluid passage. In another aspect, opening the at least one secondary fluid passage, comprises providing a barrier across the at least one secondary fluid passage; and rupturing the barrier. In yet another aspect, rupturing the barrier comprises increasing fluid pressure on one side of the barrier to a level sufficient to rupture the barrier.

Another embodiment of the present invention includes a method of cementing a borehole, comprising extending a drill string into the earth to form the borehole, the drill string including an earth removal member having at least one fluid passage therethrough, the earth removal member operatively connected to a lower end of the drill string; drilling the borehole to a desired location using a drilling mud passing through the at least one fluid passage; providing at least one secondary fluid passage between the interior of the drill string and the borehole; directing a physically alterable bonding material into an annulus between the drill string and the borehole through the at least one secondary fluid passage; flowing a physically alterable bonding material through the drill string and into an annulus between the drill string and the borehole prior to directing the physically alterable bonding material into the annulus between the drill string and the borehole through the at least one secondary fluid passage; and opening the at least one secondary passage when the physically alterable bonding material reaches the location of the at least one secondary passage after flowing the physically alterable bonding material through the drill string and into the annulus. In another embodiment, the present invention provides a method of cementing a borehole, comprising extending a drill string into the earth to form the borehole, the drill string including an earth removal member having at least one fluid passage therethrough, the earth removal member operatively connected to a lower end of the drill string; drilling the borehole to a desired location using a drilling mud passing through the at least one fluid passage; providing at least one secondary fluid passage between the interior of the drill string and the borehole; and directing a physically alterable bonding material into an annulus between the drill string and the borehole

through the at least one secondary fluid passage, wherein the physically alterable bonding material comprises cement.

Another embodiment provides a method of cementing a borehole, comprising extending a drill string into the earth to form the borehole, the drill string including an earth removal member having at least one fluid passage therethrough, the earth removal member operatively connected to a lower end of the drill string; drilling the borehole to a desired location using a drilling mud passing through the at least one fluid passage; providing at least one secondary fluid passage between the interior of the drill string and the borehole; and directing a physically alterable bonding material into an annulus between the drill string and the borehole through the at least one secondary fluid passage, wherein the earth removal member is a drill bit.

Another embodiment of the present invention provides a method of cementing a borehole, comprising extending a drill string into the earth to form the borehole, the drill string including an earth removal member having at least one fluid passage therethrough, the earth removal member operatively connected to a lower end of the drill string; drilling the borehole to a desired location using a drilling mud passing through the at least one fluid passage; providing at least one secondary fluid passage between the interior of the drill string and the borehole; and directing a physically alterable bonding material into an annulus between the drill string and the borehole through the at least one secondary fluid passage, wherein directing the physically alterable bonding material through the secondary fluid passage includes blocking the at least one fluid passage through the earth removal member. In one aspect, blocking the at least one fluid passage through the earth removal member comprises providing a ball seat positioned in intersection with the at least one fluid passage; and selectively positioning a ball on the ball seat and in a blocking position over the at least one fluid passage. In another aspect, the method further comprises providing the ball to the ball seat from a location remote therefrom.

Another embodiment of the present invention provides a method of cementing a borehole, comprising extending a drill string into the earth to form the borehole, the drill string including an earth removal member having at least one fluid passage therethrough, the earth removal member operatively connected to a lower end of the drill string; drilling the borehole to a desired location using a drilling mud passing through the at least one fluid passage; providing at least one secondary fluid passage between the interior of the drill string and the borehole; directing a physically alterable bonding material into an annulus between the drill string and the borehole through the at least one secondary fluid passage, wherein directing the physically alterable bonding material into the annulus through the at least one secondary fluid passage comprises providing a moveable barrier intermediate the at least one secondary passage and the annulus; and moving the moveable barrier to allow the physically alterable bonding material to flow through the at least one secondary passage. In one aspect, the moveable barrier comprises a sleeve positionable over an element of the drill string and slidably positionable with respect thereto; and at least one pin interconnecting the sleeve and the element of the drill string. In another aspect, the method further comprises providing a piston integral with the sleeve; and using hydrostatic pressure to urge the piston to open the at least one secondary passage to communicate with the annulus.

An additional embodiment of the present invention includes a method of cementing a borehole, comprising extending a drill string into the earth to form the borehole, the drill string including an earth removal member having at least

61

one fluid passage therethrough, the earth removal member operatively connected to a lower end of the drill string; drilling the borehole to a desired location using a drilling mud passing through the at least one fluid passage; providing at least one secondary fluid passage between the interior of the drill string and the borehole; directing a physically alterable bonding material into an annulus between the drill string and the borehole through the at least one secondary fluid passage; providing a float shoe intermediate the location where the physically alterable bonding material is introduced into the interior of the drill string and the at least one secondary passage; and positioning a float collar in the float shoe, thereby preventing flow of the physically alterable bonding material from the location between the drill string and borehole to the interior of the drill string. In one aspect, positioning the float collar is undertaken during the flowing of the physically alterable bonding material into the annulus. In another aspect, positioning the float collar is undertaken after the flowing of the physically alterable bonding material into the annulus is completed.

Another embodiment of the present invention includes a method of cementing a borehole, comprising extending a drill string into the earth to form the borehole, the drill string including an earth removal member having at least one fluid passage therethrough, the earth removal member operatively connected to a lower end of the drill string; drilling the borehole to a desired location using a drilling mud passing through the at least one fluid passage; providing at least one secondary fluid passage between the interior of the drill string and the borehole; directing a physically alterable bonding material into an annulus between the drill string and the borehole through the at least one secondary fluid passage; providing at least one additional secondary passage intermediate the lower terminus of the borehole and a surface location; cementing the borehole at a location adjacent to the terminus of the borehole; further directing the physically alterable bonding material down the drill string; and directing the physically alterable bonding material through the additional secondary passage.

In another embodiment, the present invention provides an apparatus for selectively directing fluids flowing down a hollow portion of a tubular element to selective passageways leading to a location exterior to the tubular element, comprising a first fluid passageway from the hollow portion of the tubular member to a first location; a second passageway from the hollow portion of the tubular member to a second location; a first valve member configurable to selectively block the first fluid passageway; and a second valve member configured to maintain the second fluid passageway in a normally blocked condition, the first valve member including a valve closure element selectively positionable to close the first valve member and thereby effectuate opening of the second valve member. In one aspect, the first valve member comprises a seat through which the first fluid passageway extends and the valve closure element blocks the first fluid passageway when positioned on the seat. In another aspect, the second valve member comprises a membrane positioned to selectively block the second passageway, the membrane configured to rupture as a result of closure of the first valve member.

An additional embodiment includes an apparatus for selectively directing fluids flowing down a hollow portion of a tubular element to selective passageways leading to a location exterior to the tubular element, comprising a first fluid passageway from the hollow portion of the tubular member to a first location; a second passageway from the hollow portion of the tubular member to a second location; a first valve

62

member configurable to selectively block the first fluid passageway; and a second valve member configured to maintain the second fluid passageway in a normally blocked condition, the first valve member including a valve closure element selectively positionable to close the first valve member and thereby effectuate opening of the second valve member, wherein the second valve member comprises a sleeve sealingly engaged about the second fluid passageway; and at least one separation member interconnecting the sleeve and at least a portion of the tubular element. In one aspect, the at least one separation member comprises at least one shear pin.

An embodiment of the present invention provides an apparatus for selectively directing fluids flowing down a hollow portion of a tubular element to selective passageways leading to a location exterior to the tubular element, comprising a first fluid passageway from the hollow portion of the tubular member to a first location; a second passageway from the hollow portion of the tubular member to a second location; a first valve member configurable to selectively block the first fluid passageway; and a second valve member configured to maintain the second fluid passageway in a normally blocked condition, the first valve member including a valve closure element selectively positionable to close the first valve member and thereby effectuate opening of the second valve member, wherein the second valve member comprises a sleeve sealingly engaged about the second fluid passageway; and at least one separation member interconnecting the sleeve and at least a portion of the tubular element, wherein the at least a portion of the tubular element is a float sub. In one aspect, the float sub includes a generally cylindrical outer surface; the second passage extends through the float sub and emerges therefrom at the generally cylindrical outer surface; and the at least one separation member is positioned over the generally cylindrical outer surface. In another aspect, the at least one separation member has a generally tubular profile.

Another embodiment of the present invention provides an apparatus for selectively directing fluids flowing down a hollow portion of a tubular element to selective passageways leading to a location exterior to the tubular element, comprising a first fluid passageway from the hollow portion of the tubular member to a first location; a second passageway from the hollow portion of the tubular member to a second location; a first valve member configurable to selectively block the first fluid passageway; and a second valve member configured to maintain the second fluid passageway in a normally blocked condition, the first valve member including a valve closure element selectively positionable to close the first valve member and thereby effectuate opening of the second valve member, wherein the second valve member comprises a sleeve sealingly engaged about the second fluid passageway; and at least one separation member interconnecting the sleeve and at least a portion of the tubular element, wherein the at least a portion of the tubular element is a float sub, wherein the float sub includes a generally cylindrical outer surface; the second passage extends through the float sub and emerges therefrom at the generally cylindrical outer surface; and the at least one separation member is positioned over the generally cylindrical outer surface, the apparatus further comprising a first seal extendable between the at least one separation member and the float sub; a second seal extendable between the at least one separation member and the float sub; and the second passage is positioned in the float sub between the first and second seals. In one aspect, the at least one separation member further comprises a first cylindrical section having a seal groove therein in which the first seal is received; and a second cylindrical section having a seal

63

groove therein in which the second seal is received, wherein the second cylindrical section forms an annular piston extending about the float sub.

In another aspect, the present invention provides a method of drilling a wellbore with casing, comprising placing a string of casing operatively coupled to a drill bit at the lower end thereof into a previously formed wellbore; urging the string of casing axially downward to form a new section of wellbore; pumping fluid through the string of casing into an annulus formed between the string of casing and the new section of wellbore; and diverting a portion of the fluid into an upper annulus in the previously formed wellbore. In one embodiment, the fluid is diverted into the upper annulus from a flow path in a run-in string of tubulars disposed above the string of casing. Additionally, the flow path is selectively opened and closed to control the amount of fluid flowing through the flow path. In another embodiment, the fluid is diverted into the upper annulus via an independent fluid path. The independent fluid path is formed at least partially within the string of casing. In yet another embodiment, the fluid is diverted into the upper annulus via a flow apparatus disposed in the string of casing.

In another aspect, the present invention provides a method for lining a wellbore, comprising forming a wellbore with an assembly including an earth removal member mounted on a work string, a liner disposed around at least a portion of the work string, a first sealing member disposed on the work string, and a second sealing member disposed on an outer portion of the liner; lowering the liner to a location in the wellbore adjacent the earth removal member while circulating a fluid through the earth removal member; actuating the first sealing member; fixing the liner section in the wellbore; actuating the second sealing member; and removing the work string and the earth removal member from the wellbore. In one embodiment, the first sealing member is disposed below the liner while circulating the fluid. In another embodiment, fixing the liner section in the wellbore comprises supplying a physically alterable bonding material to an annular area between the liner and the wellbore. The physically alterable bonding material is supplied through the work string at a location above the first sealing member.

While the foregoing is directed to embodiments of the present invention, other and further embodiments of the invention may be devised without departing from the basic scope thereof, and the scope thereof is determined by the claims that follow.

We claim:

1. A method of cementing a borehole, comprising: extending a drill string into the earth to form the borehole, the drill string including an earth removal member having at least one fluid passage therethrough, the earth removal member operatively connected to a lower end of the drill string; drilling the borehole to a desired location using a drilling mud passing through the at least one fluid passage; providing at least one secondary fluid passage between the interior of the drill string and the borehole; providing a barrier across the at least one secondary fluid passage; rupturing the barrier, thereby opening the at least one secondary fluid passage; and directing a physically alterable bonding material into an annulus between the drill string and the borehole through the at least one secondary fluid passage.
2. The method of claim 1, further comprising flowing a physically alterable bonding material through the drill string and into an annulus between the drill string and the borehole

64

prior to directing the physically alterable bonding material into the annulus between the drill string and the borehole through the at least one secondary fluid passage.

3. The method of claim 1, wherein rupturing the barrier comprises increasing fluid pressure on one side of the barrier to a level sufficient to rupture the barrier.

4. The method of claim 1, wherein the at least one secondary passage is opened when the physically alterable bonding material reaches the location of the at least one secondary passage after flowing the physically alterable bonding material through the drill string and into the annulus.

5. The method of claim 1, wherein the physically alterable bonding material comprises cement.

6. The method of claim 1, wherein the earth removal member is a drill bit.

7. The method of claim 1, wherein directing the physically alterable bonding material through the at least one secondary fluid passage includes blocking the at least one fluid passage through the earth removal member.

8. The method of claim 7, wherein blocking the at least one fluid passage through the earth removal member comprises: providing a ball seat positioned in intersection with the at least one fluid passage; and selectively positioning a ball on the ball seat and in a blocking position over the at least one fluid passage.

9. The method of claim 8, further comprising providing the ball to the ball seat from a location remote therefrom.

10. The method of claim 1, further comprising providing a float shoe intermediate the location where the physically alterable bonding material is introduced into the interior of the drill string and the at least one secondary passage; and positioning a float collar in the float shoe, thereby preventing flow of the physically alterable bonding material from the location between the drill string and borehole to the interior of the drill string.

11. The method of claim 10, wherein positioning the float collar is undertaken during the flowing of the physically alterable bonding material into the annulus.

12. The method of claim 10, wherein positioning the float collar is undertaken after the flowing of the physically alterable bonding material into the annulus is completed.

13. The method of claim 1, further comprising: providing at least one additional secondary passage intermediate the lower terminus of the borehole and a surface location; cementing the borehole at a location adjacent to the terminus of the borehole; further directing the physically alterable bonding material down the drill string; and directing the physically alterable bonding material through the additional secondary passage.

14. The method of claim 1, further comprising drilling through at least a portion of the earth removal member.

15. The method of claim 1, further comprising milling at least a portion of the earth removal member.

16. The method of claim 1, wherein the at least one secondary fluid passage is located in a sidewall of the earth removal member.

17. A method of cementing a borehole, comprising: extending a drill string into the earth to form the borehole, the drill string including an earth removal member having at least one fluid passage therethrough, the earth removal member operatively connected to a lower end of the drill string; drilling the borehole to a desired location using a drilling mud passing through the at least one fluid passage;

65

providing at least one secondary fluid passage between an interior of the drill string and the borehole;
 providing a sleeve positioned over an element of the drill string and intermediate the at least one secondary passage and the annulus and at least one shear element interconnecting the sleeve to the element of the drill string;
 moving the sleeve to allow a physically alterable bonding material to flow through the at least one secondary passage; and
 directing the physically alterable bonding material into an annulus between the drill string and the borehole.

18. The method of claim 17, further comprising using fluid pressure to shear the at least one shear element.

19. The method of claim 17, wherein the at least one shear element comprises a pin.

20. The method of claim 17, further comprising:
 providing a piston integral with the sleeve; and
 using hydrostatic pressure to urge the piston to open the at least one secondary passage to communicate with the annulus.

21. The method of claim 17, further comprising drilling through at least a portion of the earth removal member.

22. The method of claim 17, further comprising milling at least a portion of the earth removal member.

23. A method of cementing a borehole, comprising:
 extending a drill string into the earth to form the borehole, the drill string including an earth removal member having at least one fluid passage therethrough, the earth removal member operatively connected to a lower end of the drill string;
 drilling the borehole to a desired location using a drilling mud passing through the at least one fluid passage;
 providing at least one secondary fluid passage between an interior of the drill string and the borehole;
 providing a float shoe intermediate a location where a physically alterable bonding material is introduced into the interior of the drill string and the at least one secondary passage;
 positioning a float collar in the float shoe, thereby preventing flow of the physically alterable bonding material from the location between the drill string and borehole to the interior of the drill string; and
 directing the physically alterable bonding material into an annulus between the drill string and the borehole through the at least one secondary fluid passage.

24. The method of claim 23, wherein positioning the float collar is undertaken during the flowing of the physically alterable bonding material into the annulus.

25. The method of claim 23, wherein positioning the float collar is undertaken after the flowing of the physically alterable bonding material into the annulus is completed.

26. A method of cementing a borehole, comprising:
 extending a drill string into the earth to form the borehole, the drill string including an earth removal member having at least one fluid passage therethrough, the earth removal member operatively connected to a lower end of the drill string;
 drilling the borehole to a desired location using a drilling mud passing through the at least one fluid passage;
 providing at least one secondary fluid passage between an interior of the drill string and the borehole;
 directing a physically alterable bonding material into an annulus between the drill string and the borehole through the at least one secondary fluid passage; and

66

allowing the physically alterable bonding material to harden in the annulus between the drill string and the borehole.

27. The method of claim 26, further comprising drilling through at least a portion of the earth removal member.

28. The method of claim 26, further comprising milling at least a portion of the earth removal member.

29. A method of cementing a borehole, comprising:
 extending a drill string into the earth to form the borehole, the drill string including an earth removal member having at least one fluid passage therethrough, the earth removal member operatively connected to a lower end of the drill string;
 drilling the borehole to a desired location using a drilling mud passing through the at least one fluid passage;
 providing at least one secondary fluid passage between an interior of the drill string and the borehole;
 directing a physically alterable bonding material into an annulus between the drill string and the borehole through the at least one secondary fluid passage;
 positioning a one way valve intermediate a location where the physically alterable bonding material is introduced into the interior of the drill string and the at least one second passage, thereby preventing flow of the physically alterable bonding material from the location between the drill string and borehole to the interior of the drill string; and
 allowing the physically alterable bonding material to harden in the annulus.

30. The method of claim 29, further comprising drilling through at least a portion of the earth removal member.

31. The method of claim 29, further comprising milling at least a portion of the earth removal member.

32. A method of cementing a borehole, comprising:
 extending a drill string into the earth to form the borehole, the drill string including an earth removal member having at least one fluid passage therethrough, the earth removal member operatively connected to a lower end of the drill string;
 drilling the borehole to a desired location using a drilling mud passing through the at least one fluid passage;
 providing at least one secondary fluid passage between an interior of the drill string and the borehole;
 directing a physically alterable bonding material into an annulus between the drill string and the borehole through the at least one secondary fluid passage;
 providing at least one additional secondary passage intermediate the lower terminus of the borehole and a surface location;
 cementing the borehole at a location adjacent to the terminus of the borehole;
 further directing the physically alterable bonding material down the drill string; and
 directing the physically alterable bonding material through the additional secondary passage.

33. A method of cementing a borehole, comprising:
 extending a drill string into the earth to form the borehole, the drill string including an earth removal member having at least one fluid passage therethrough, the earth removal member operatively connected to a lower end of the drill string;
 drilling the borehole to a desired location using a drilling mud passing through the at least one fluid passage;
 providing at least one secondary fluid passage between an interior of the drill string and the borehole;

67

directing a physically alterable bonding material into an annulus between the drill string and the borehole through the at least one secondary fluid passage; and drilling through at least a portion of the earth removal member.

34. The method of claim 33, wherein the earth removal member comprises a drill bit.

35. The method of claim 33, wherein the drill string comprises a casing.

36. The method of claim 33, wherein the drill string comprises a liner.

37. The method of claim 33, wherein the at least one secondary fluid passage is located in a sidewall of the earth removal member.

38. A method of cementing a borehole, comprising: extending a drill string into the earth to form the borehole, the drill string including an earth removal member having at least one fluid passage therethrough, the earth removal member operatively connected to a lower end of the drill string;

drilling the borehole to a desired location using a drilling mud passing through the at least one fluid passage;

providing at least one secondary fluid passage between an interior of the drill string and the borehole;

directing a physically alterable bonding material into an annulus between the drill string and the borehole through the at least one secondary fluid passage; and milling at least a portion of the earth removal member.

39. A method of cementing a borehole, comprising: operating a drill string to form the borehole, the drill string including a drill bit positioned at a lower end of the drill string, wherein the drill bit has at least one fluid passage therethrough, and at least one secondary fluid passage between an interior of the drill string and the borehole, wherein the at least one secondary fluid passage is initially closed;

drilling the borehole to a desired location while flowing a drilling mud through the at least one fluid passage;

positioning a one-way valve above the at least one secondary passage after flowing the drilling mud; and

directing a cement through the at least one secondary fluid passage into an annulus between the drill string and the borehole, wherein the one way valve prevents the cement in the annulus from flowing back up the interior of the drill string.

40. The method of claim 39, further comprising opening the at least one secondary fluid passage after flowing the drilling mud.

41. The method of claim 40, wherein the at least one secondary fluid passage is opened using fluid pressure.

42. The method of claim 39, further comprising opening the at least one second fluid passage after flowing the drilling mud.

68

43. The method of claim 42, wherein the cement is directed into the annulus after the one way valve is positioned.

44. The method of claim 43, further comprising drilling through at least a portion of the drill bit.

45. The method of claim 43, further comprising milling through at least a portion of the drill bit.

46. The method of claim 42, wherein the at least one secondary fluid passage is opened using fluid pressure.

47. A method of cementing a borehole, comprising:

extending a drill string into the earth to form the borehole, the drill string including an earth removal member having at least one fluid passage therethrough, the earth removal member operatively connected to a lower end of the drill string;

drilling the borehole to a desired location using a drilling mud passing through the at least one fluid passage;

providing at least one secondary fluid passage between an interior of the drill string and the borehole;

directing a physically alterable bonding material into an annulus between the drill string and the borehole through the at least one secondary fluid passage;

positioning a one way valve intermediate a location where the physically alterable bonding material is introduced into the interior of the drill string and the at least one second passage, thereby preventing flow of the physically alterable bonding material from the location between the drill string and borehole to the interior of the drill string; and

drilling through at least a portion of the earth removal member.

48. A method of cementing a borehole, comprising: extending a drill string into the earth to form the borehole, the drill string including an earth removal member having at least one fluid passage therethrough, the earth removal member operatively connected to a lower end of the drill string;

drilling the borehole to a desired location using a drilling mud passing through the at least one fluid passage;

providing at least one secondary fluid passage between an interior of the drill string and the borehole;

directing a physically alterable bonding material into an annulus between the drill string and the borehole through the at least one secondary fluid passage;

positioning a one way valve intermediate a location where the physically alterable bonding material is introduced into the interior of the drill string and the at least one second passage, thereby preventing flow of the physically alterable bonding material from the location between the drill string and borehole to the interior of the drill string; and

milling at least a portion of the earth removal member.

* * * * *