



US00RE42874E

(19) **United States**
(12) **Reissued Patent**
Sidwell

(10) **Patent Number:** **US RE42,874 E**
(45) **Date of Reissued Patent:** **Nov. 1, 2011**

(54) **BALLOON AND ROD CONNECTOR
COMBINED WITH THE ROD**
(75) Inventor: **Paul E. Sidwell**, Duluth, GA (US)
(73) Assignee: **Maximum Visibility Solutions, LLC**,
Alachua, FL (US)
(**) Term: **14 Years**
(21) Appl. No.: **29/322,997**
(22) Filed: **Aug. 15, 2008**

Primary Examiner — Catherine Tuttle
(74) *Attorney, Agent, or Firm* — Saliwanchik, Lloyd &
Eisenschenk

(57) **CLAIM**
The ornamental design for a balloon and rod connector com-
bined with the rod, as shown and described.

DESCRIPTION

*Notice: More than one reissue application has been filed for
the reissue of U.S. Design Pat. No. D529,102. The reissue
applications are 29/322,997(the present application), which
is a divisional of application Ser. No. 29/286,205, which was
a reissue of U.S. Pat. No. D529,102.*

**[FIG. 1 is a perspective view showing my new design with the
rod portion removed for a clear disclosure of the end configura-
tion;]**

[FIG. 2 is a reduced scale front elevational view thereof;]

[FIG. 3 is a rear elevational view thereof;]

[FIG. 4 is a left side elevational view thereof;]

[FIG. 5 is a right side elevational view thereof;]

[FIG. 6 is top view thereof;

[FIG. 7 is a bottom view thereof; and,]

**[FIG. 8 is an enlarged scale perspective view of the cross
section along line 8-8 of FIG. 3.]**

*FIG. 9 is a perspective view showing a second embodiment of
my new design without the inner liner cup and with the rod
portion removed for a clear disclosure of the end configura-
tion;*

FIG. 10 is a reduced scale front elevational view thereof;

FIG. 11 is a rear elevational view thereof;

FIG. 12 is a left side elevational view thereof;

FIG. 13 is a right side elevational view thereof;

FIG. 14 is top view thereof; and,

FIG. 15 is a bottom view thereof.

*The broken lines are included for the purpose of illustrating
portions of the balloon and rod connector combined with the
rod that form no part of the claimed design.*

1 Claim, 6 Drawing Sheets

**Matter enclosed in heavy brackets [] appears in the
original patent, but forms no part of this reissue; matter
printed in italics indicates the additions made by reissue.**

Related U.S. Patent Documents

Reissue of:

(64) Patent No.: **Des. 529,102**
Issued: **Sep. 26, 2006**
Appl. No.: **29/228,733**
Filed: **Apr. 28, 2005**

U.S. Applications:

(62) Division of application No. 29/286,205, filed on Apr.
27, 2007, now Pat. No. Re. 41,056.

(51) **LOC (9) Cl.** **21-01**

(52) **U.S. Cl.** **D21/453; D20/40**

(58) **Field of Classification Search** D21/438-440,
D21/453, 454; D11/117-130, 146, 164;
D8/373, 382, 383, 394, 395, 396; D20/42,
D20/43; 446/220-226; 40/212, 214, 591,
40/592, 606.01, 606.03, 606.11, 606.12,
40/607.1, 607.11; 428/7-9, 12, 23, 27, 31;
24/30.5, 543, 545, 555, 570; 211/13.1, 60.1,
211/89.01; 116/28 R, 30, 210, DIG. 8, DIG. 9
See application file for complete search history.

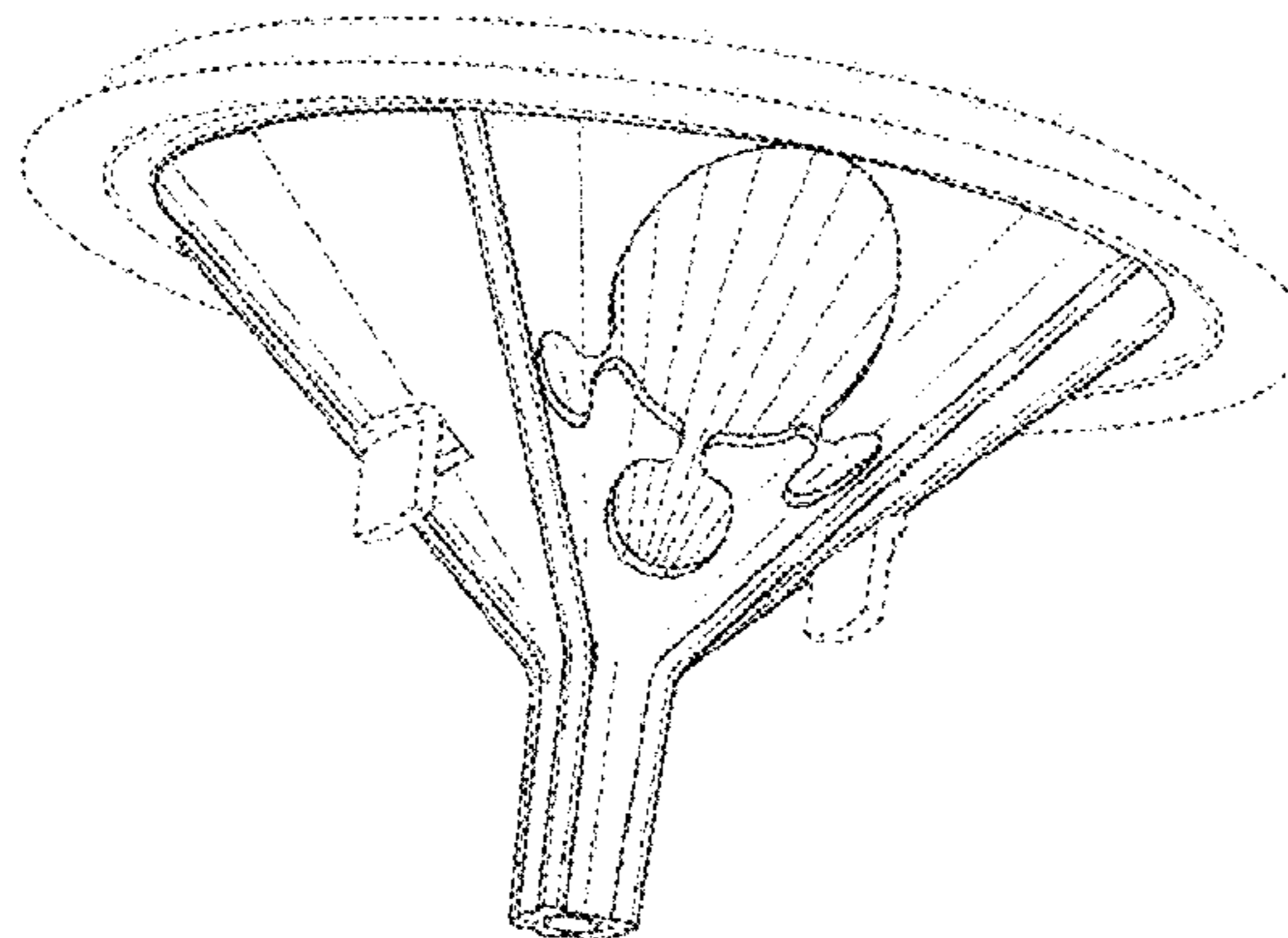
(56) **References Cited**

U.S. PATENT DOCUMENTS

2,882,645 A * 4/1959 Stivers 446/220
(Continued)

FOREIGN PATENT DOCUMENTS

EP 105179 A1 * 4/1984
(Continued)



US RE42,874 E

Page 2

U.S. PATENT DOCUMENTS

3,267,604 A * 8/1966 Goldsmith 446/222
4,661,081 A * 4/1987 Basseches 446/220
4,715,841 A * 12/1987 Nelson et al. 446/222
4,729,749 A * 3/1988 Milne 446/222
4,737,133 A * 4/1988 Neumeier 446/397
4,837,059 A * 6/1989 Milne 428/12
4,879,823 A * 11/1989 Collins 40/124.01
4,895,545 A * 1/1990 Nelson 446/220
5,021,022 A * 6/1991 Ganz 446/220
D329,261 S * 9/1992 Pollack D21/440
5,203,530 A * 4/1993 Liu 248/309.1
5,295,891 A * 3/1994 Schalk 446/222

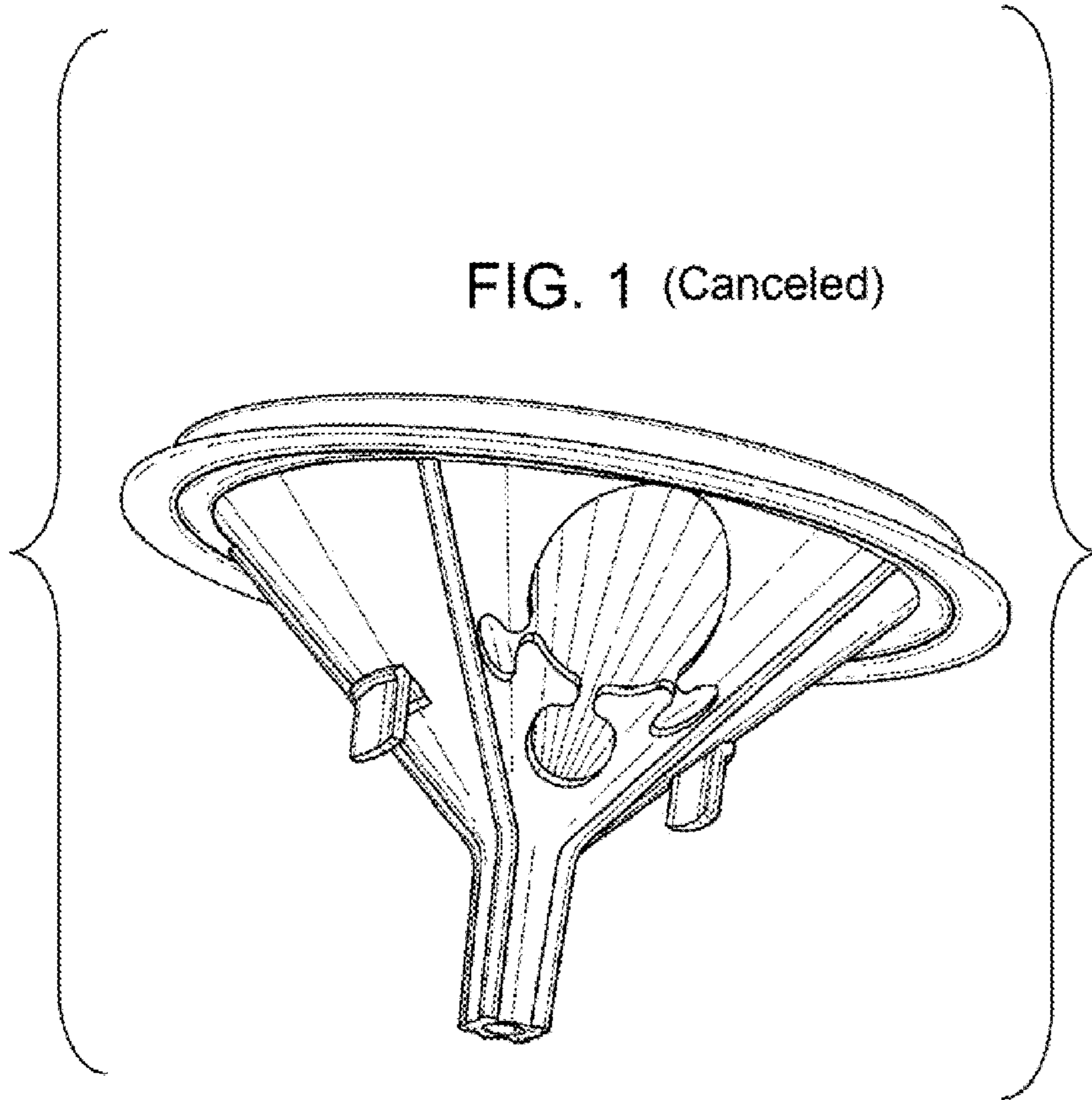
5,395,276 A * 3/1995 Valentino 446/217
D360,844 S * 8/1995 Miller et al. D10/110
5,444,607 A * 8/1995 Dreyfuss 362/352
6,176,758 B1 * 1/2001 Wu 446/224
6,375,534 B1 * 4/2002 Burns 446/220
6,575,806 B1 * 6/2003 Nelson et al. 446/222
6,969,295 B1 * 11/2005 Sidwell 446/220

FOREIGN PATENT DOCUMENTS

WO 9105592 A1 5/1991
WO 9105592 A1 * 5/1991

* cited by examiner

FIG. 1 (Canceled)



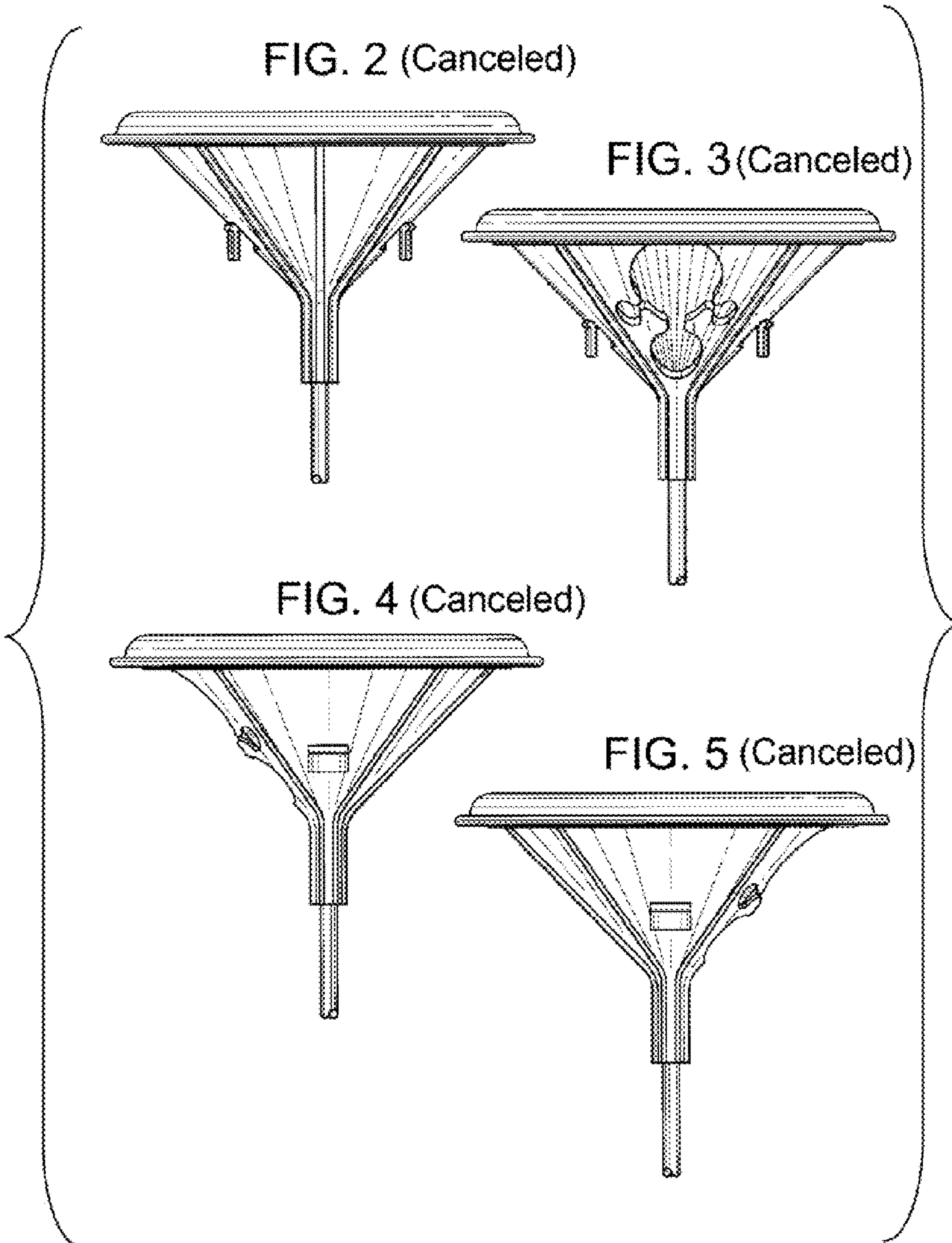


FIG. 6 (Canceled)

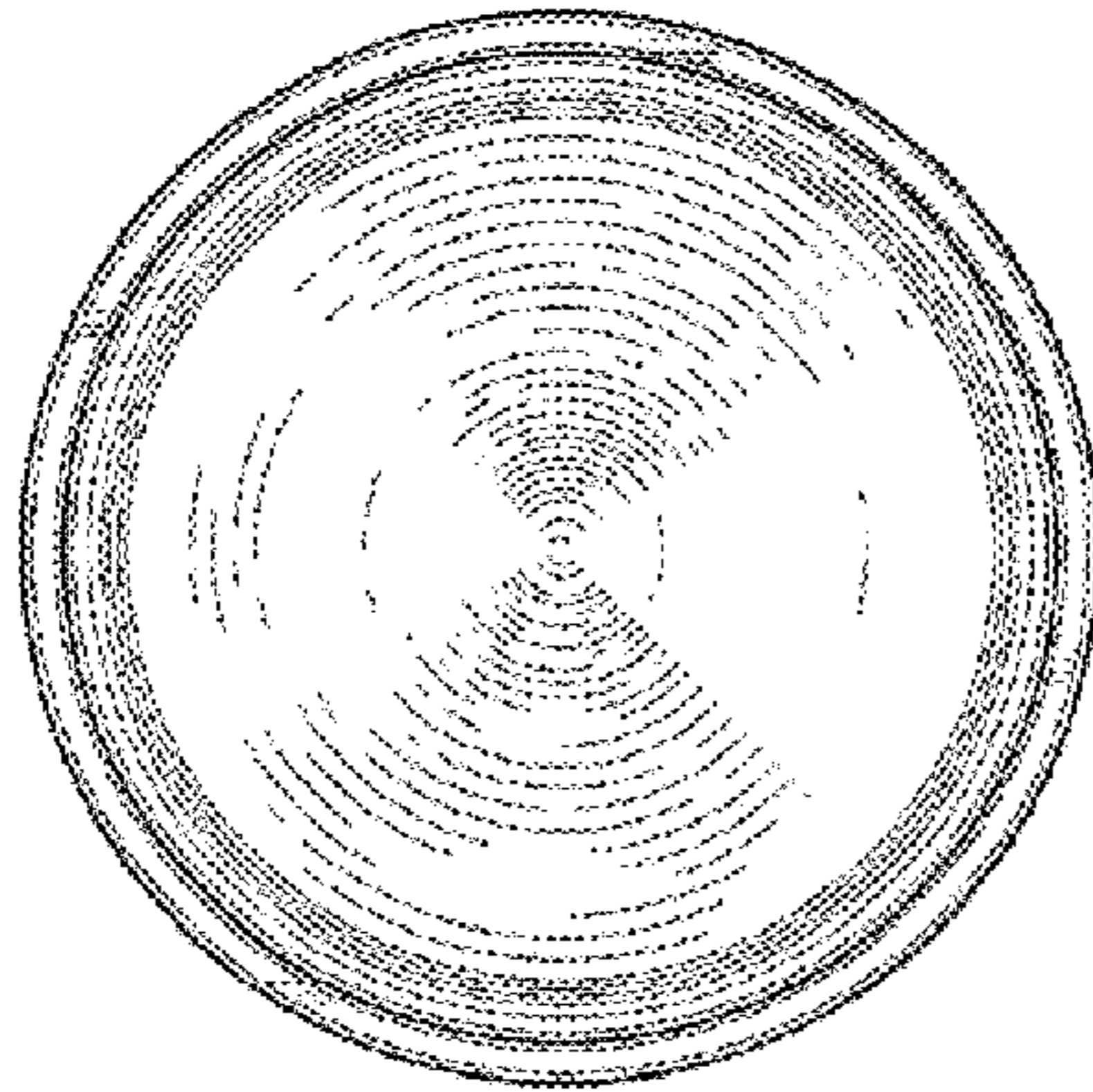


FIG. 7 (Canceled)

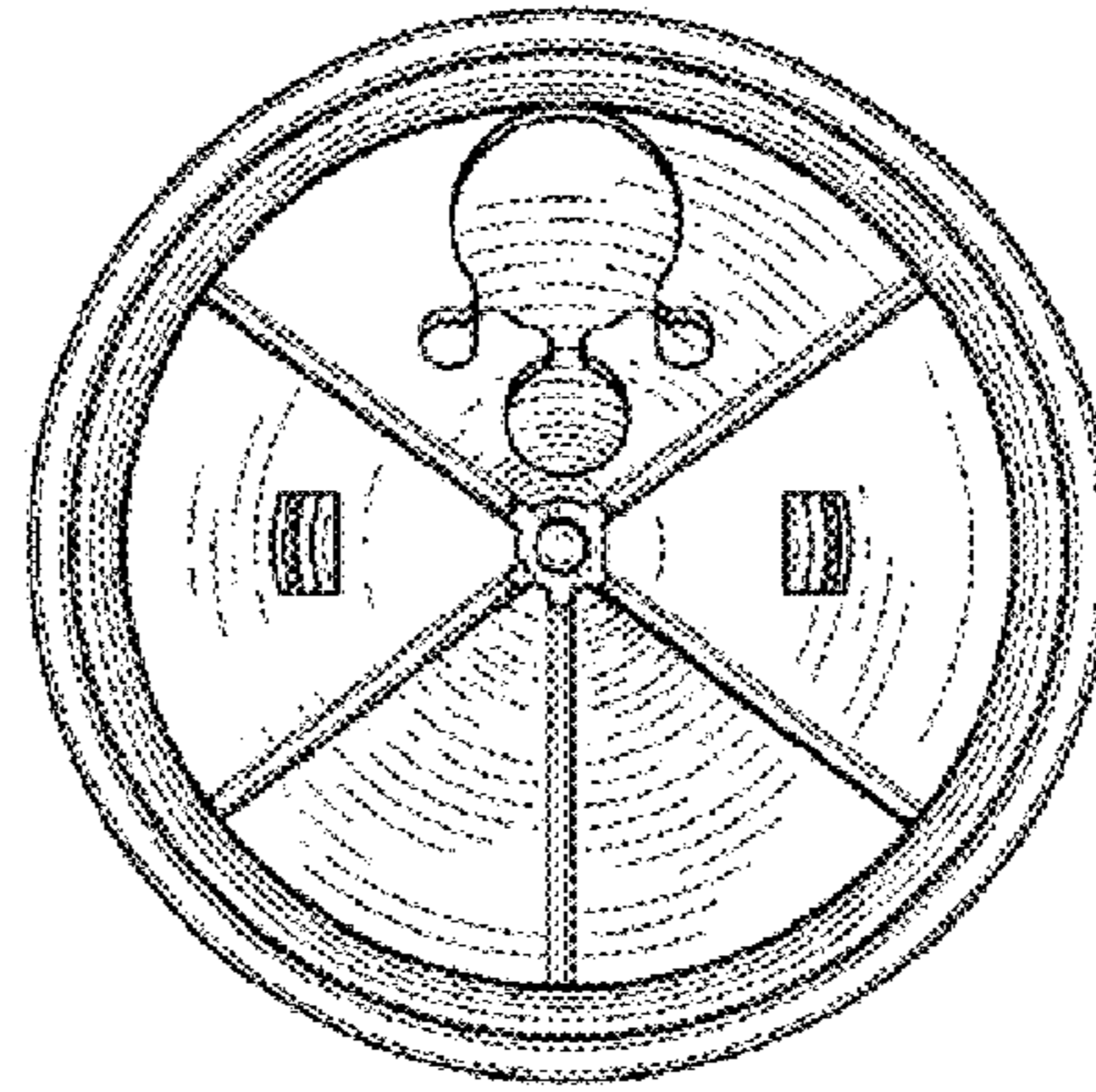


FIG. 8
(Canceled)

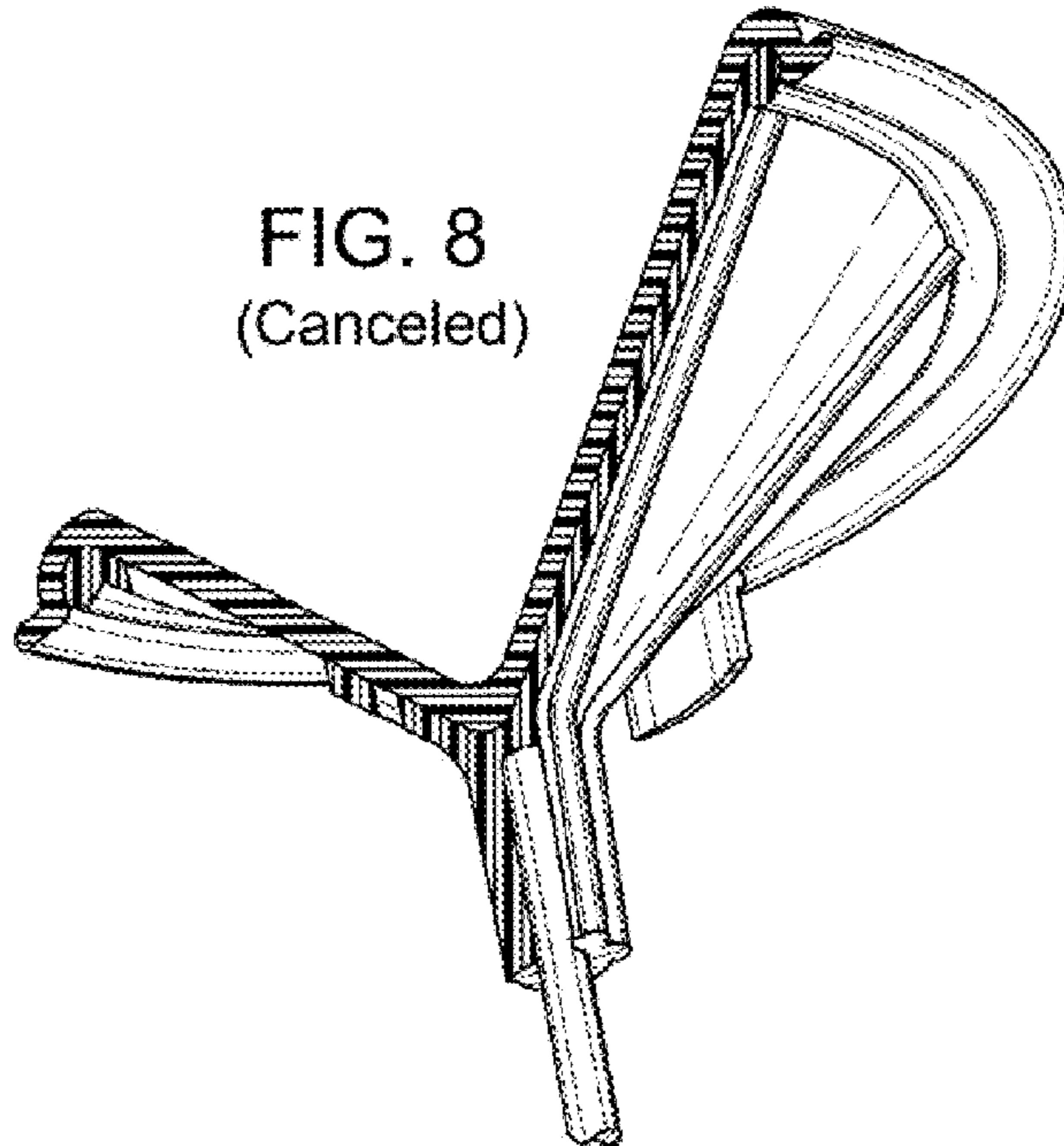


FIG. 9 (NEW)

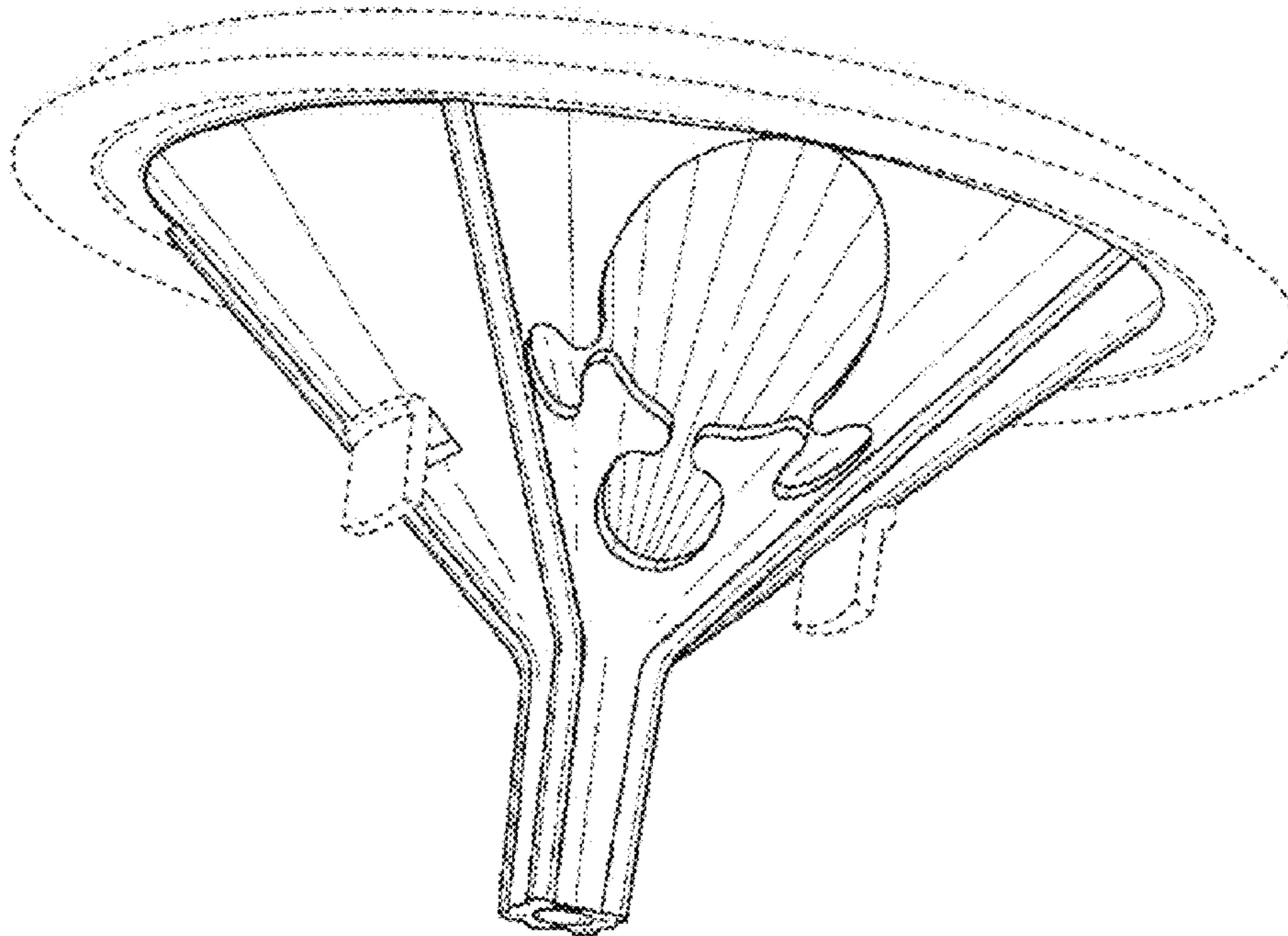


FIG. 10 (NEW)

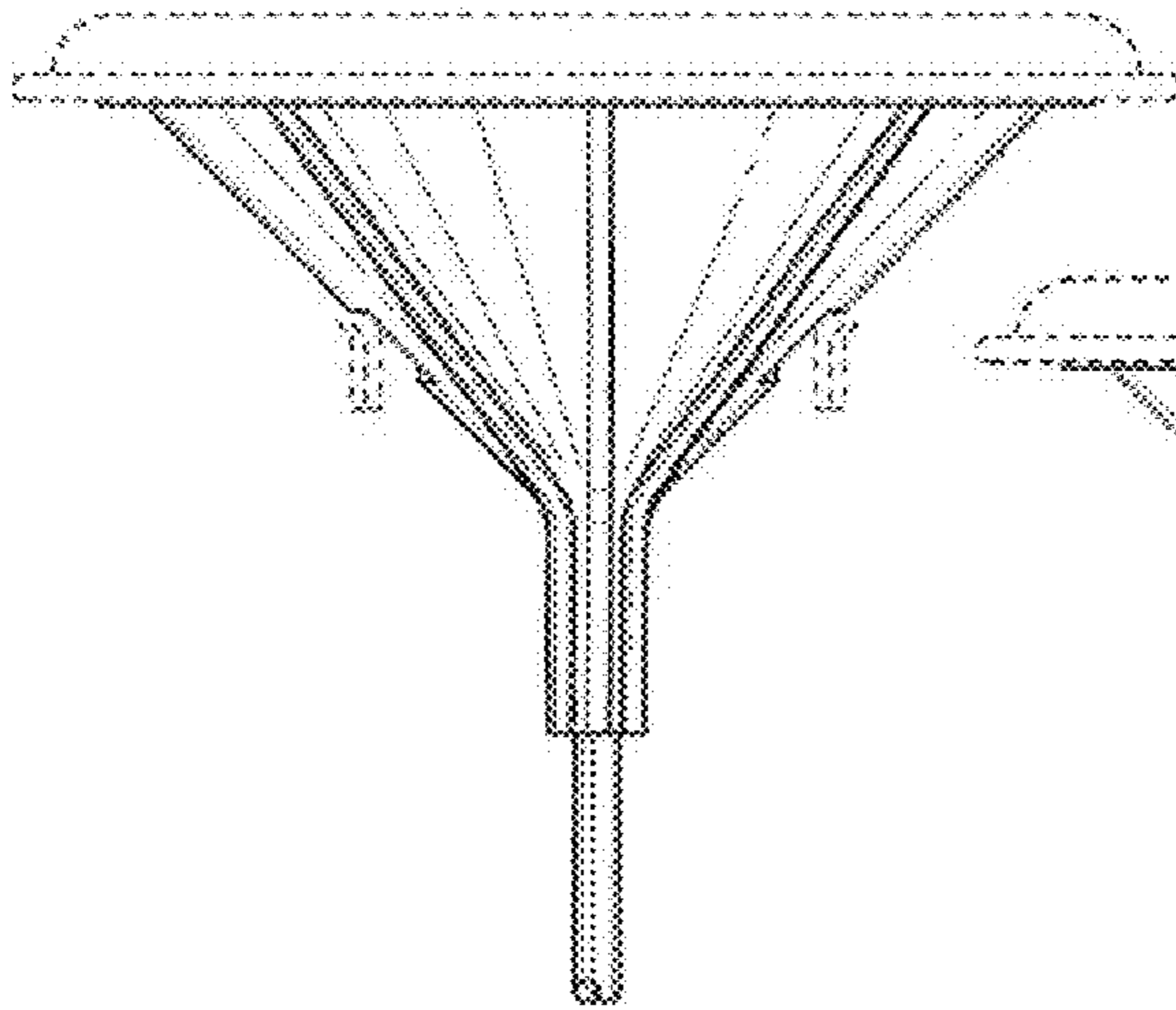


FIG. 11 (NEW)

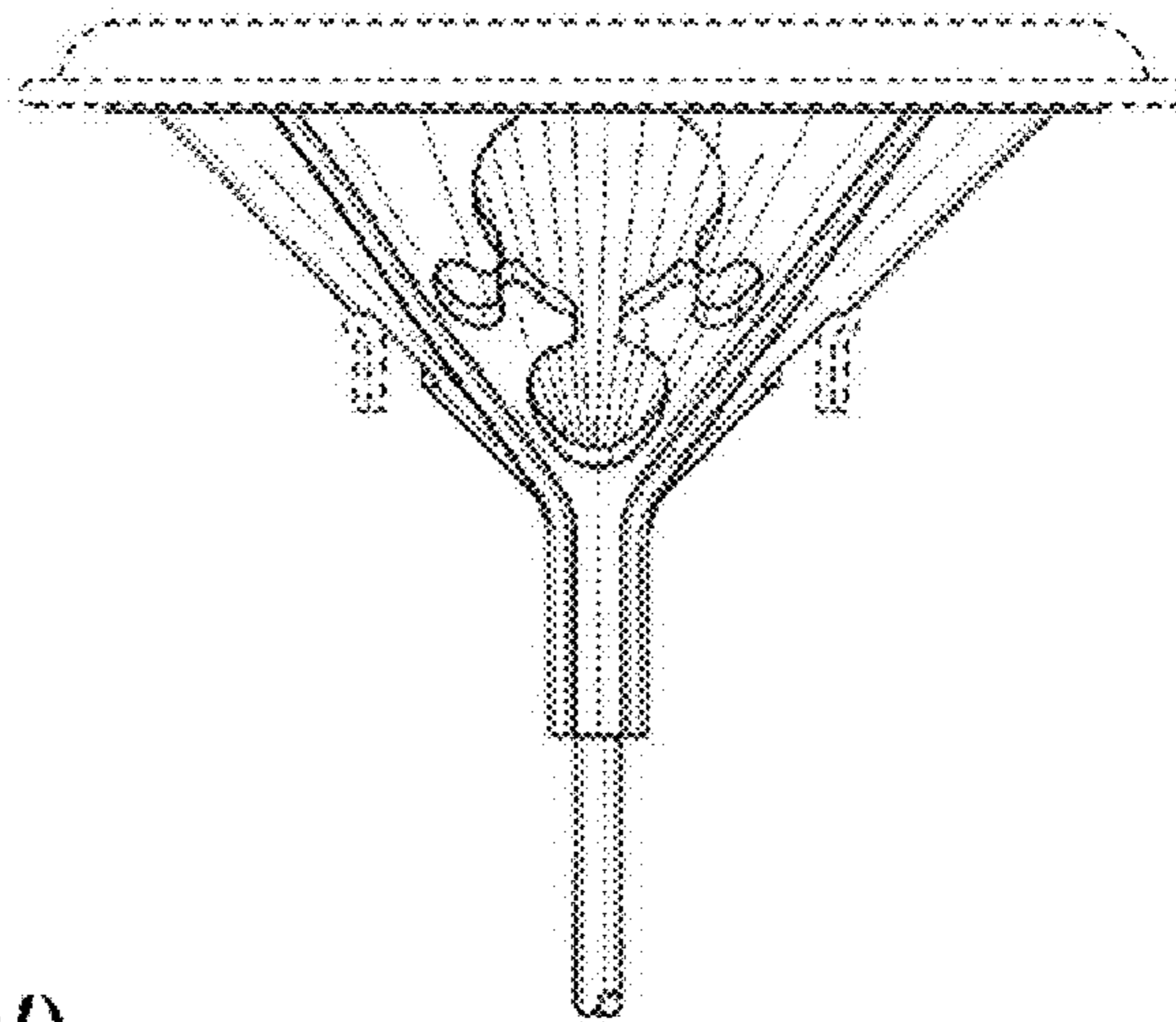


FIG. 12 (NEW)

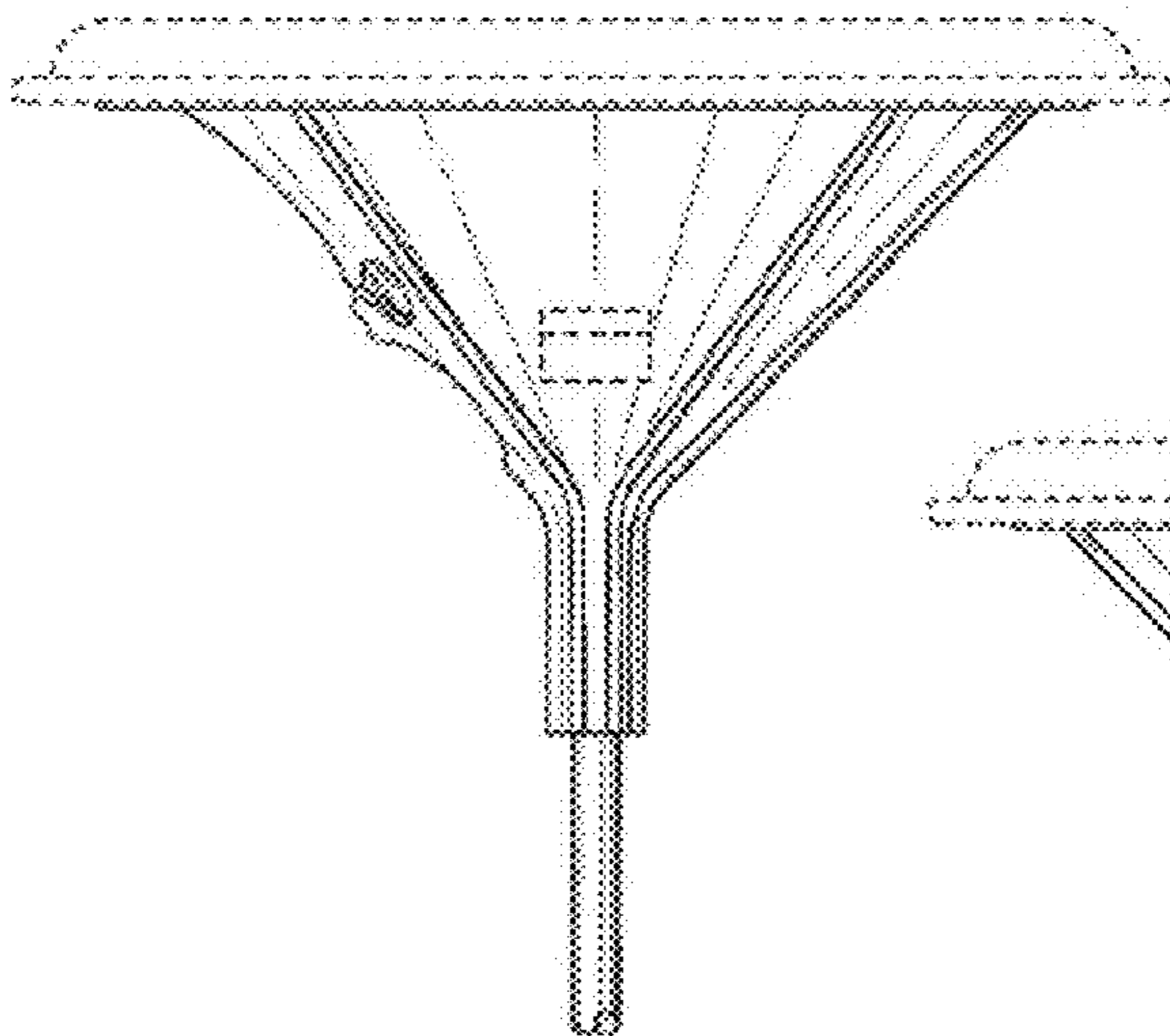


FIG. 13 (NEW)

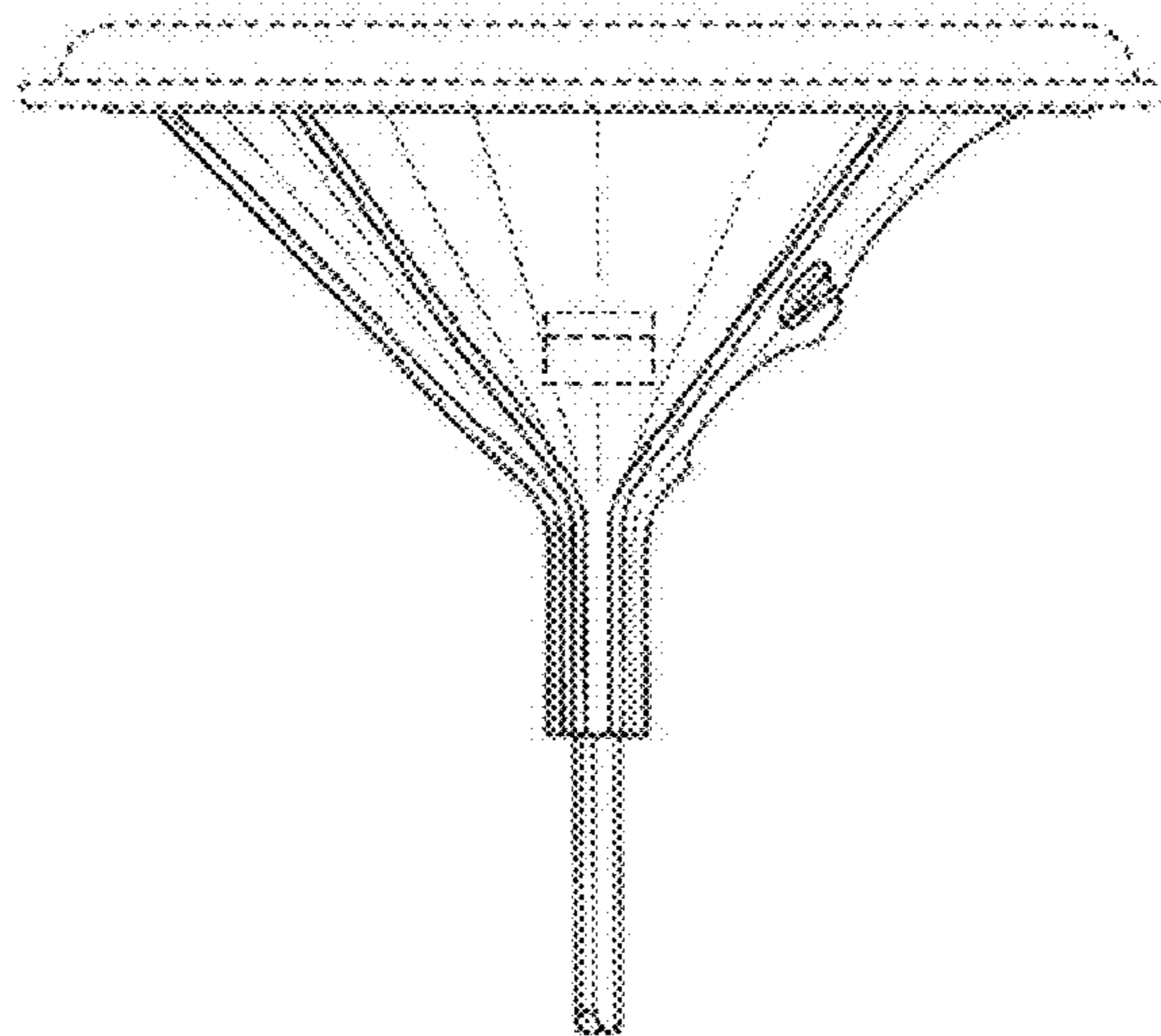


FIG. 14 (NEW)

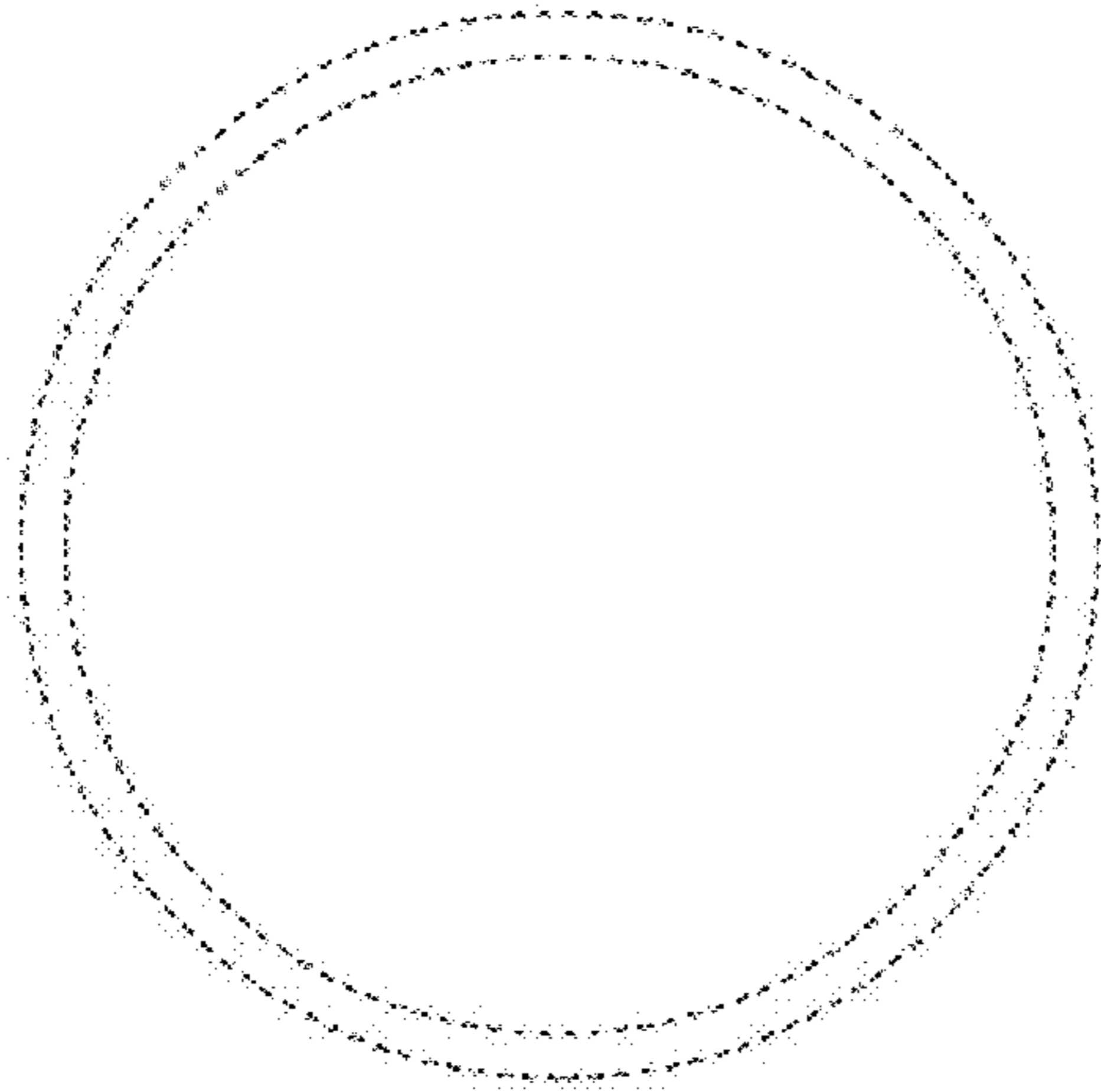


FIG. 15 (NEW)

