

US00RE42863E

(19) **United States**  
(12) **Reissued Patent**  
**Kuslich et al.**

(10) **Patent Number:** **US RE42,863 E**  
(45) **Date of Reissued Patent:** **Oct. 25, 2011**

(54) **SPINAL STABILIZATION SURGICAL METHOD**

(75) Inventors: **Stephen D. Kuslich**, Maplewood, MN (US); **Douglas W. Kohrs**, Edina, MN (US)

(73) Assignee: **Zimmer Spine, Inc.**, Austin, TX (US)

(21) Appl. No.: **09/971,307**

(22) Filed: **Oct. 4, 2001**

**Related U.S. Patent Documents**

Reissue of:

(64) Patent No.: **5,489,307**  
Issued: **Feb. 6, 1996**  
Appl. No.: **08/299,807**  
Filed: **Sep. 1, 1994**

U.S. Applications:

(63) Continuation of application No. 08/015,863, filed on Feb. 10, 1993, now abandoned.

(51) **Int. Cl.**

**A61B 17/17** (2006.01)  
**A61B 17/16** (2006.01)  
**A61F 2/30** (2006.01)  
**A61F 2/46** (2006.01)  
**A61F 2/44** (2006.01)  
**A61B 17/68** (2006.01)  
**A61B 17/86** (2006.01)  
**A61B 17/02** (2006.01)  
**A61F 2/28** (2006.01)  
**A61F 2/00** (2006.01)

(52) **U.S. Cl.** ..... **128/898**; 606/247; 606/279; 606/86 A; 606/90; 606/96; 623/16.11

(58) **Field of Classification Search** .... 623/17.11-17.16; 606/61, 87, 90, 96  
See application file for complete search history.

(56) **References Cited**

**U.S. PATENT DOCUMENTS**

3,848,601 A \* 11/1974 Ma et al. .... 606/86 A  
3,875,595 A \* 4/1975 Froning ..... 623/17.12  
4,596,243 A \* 6/1986 Bray ..... 606/80  
4,714,469 A \* 12/1987 Kenna ..... 606/86 A  
4,743,256 A \* 5/1988 Brantigan ..... 128/898  
4,772,287 A \* 9/1988 Ray et al. .... 623/17.12  
4,834,757 A \* 5/1989 Brantigan ..... 623/17.11  
4,878,915 A \* 11/1989 Brantigan ..... 623/17.11  
4,961,740 A \* 10/1990 Ray et al. .... 606/247  
5,015,247 A \* 5/1991 Michelson ..... 606/247  
5,026,373 A \* 6/1991 Ray et al. .... 606/86 A  
5,484,437 A 1/1996 Michelson ..... 606/61

**FOREIGN PATENT DOCUMENTS**

DE 35 05 567 A1 \* 6/1986

(Continued)

**OTHER PUBLICATIONS**

Lin, Posterior Lumbar Interbody Fusion (Charles C. Thomas, Springfield, Illinois: 1982), pp. 114-125.\*

(Continued)

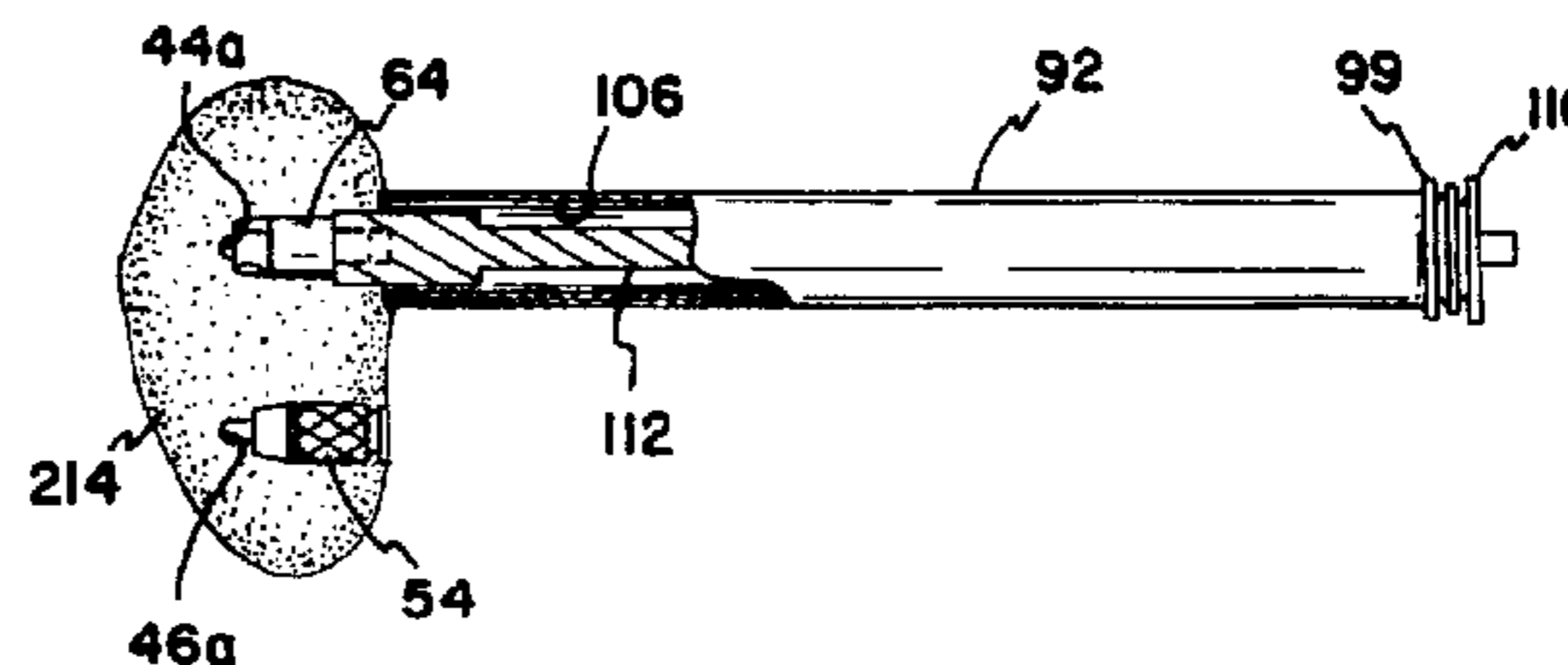
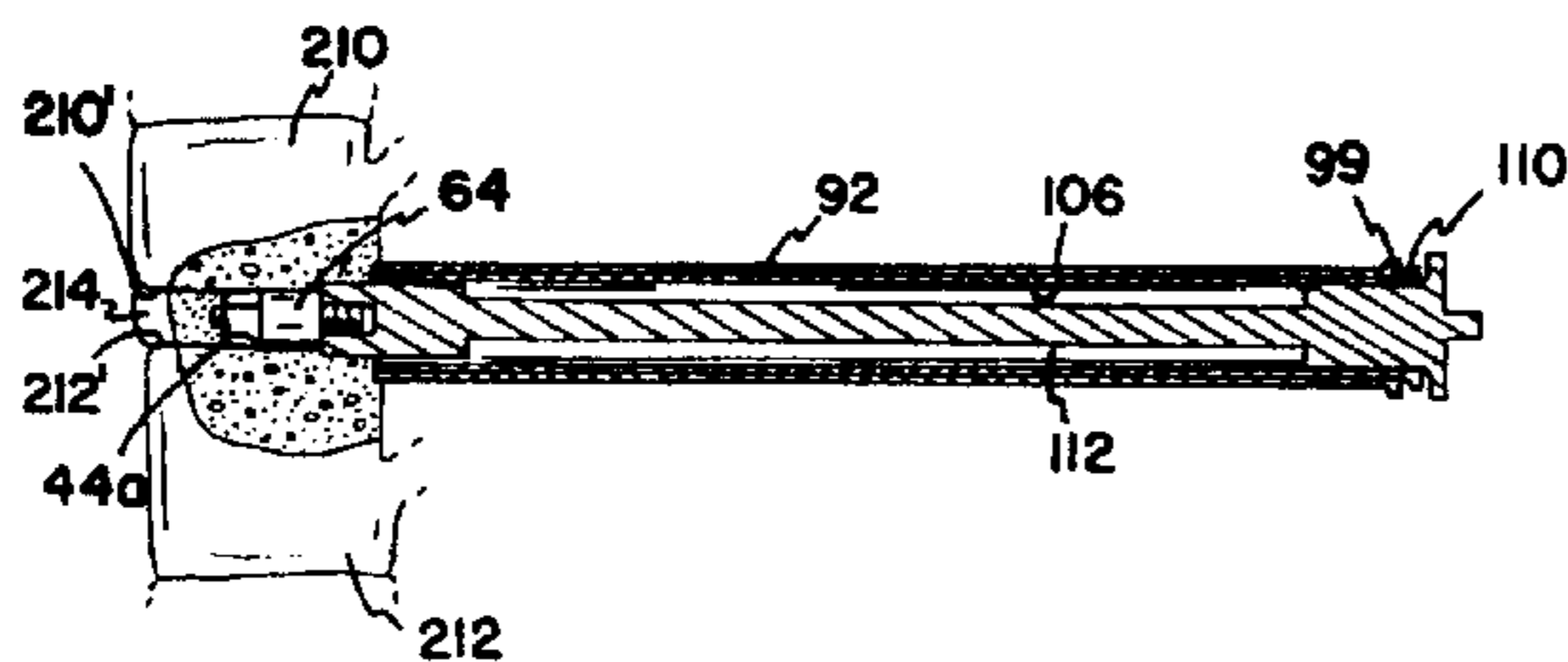
*Primary Examiner* — David H. Willse

(74) *Attorney, Agent, or Firm* — Seager Tuft Wickhem LLC

(57) **ABSTRACT**

Spinal fusion implants are inserted into a disc space of disc material separating first and second vertebrae by forming bores between the vertebrae. A distraction spacer is temporarily put in place on one side of the vertebrae while a bore is being formed on an opposite side of the vertebrae.

**22 Claims, 19 Drawing Sheets**



# US RE42,863 E

Page 2

---

## FOREIGN PATENT DOCUMENTS

DE	3505567		6/1986	
EP	0 260 044	A1 *	3/1988	
EP	0260044		3/1988	
WO	9106261		5/1991	..... 623/17
WO	WO 91/06261	A1 *	5/1991	
WO	WO 94/28824	A2 *	12/1994	

## OTHER PUBLICATIONS

Brantigan et al., Spine: State of the Art Reviews, vol. 6, No. 1, Jan. 1992: pp. 175-200.\*

Declaration of Kenneth S. Barrow in Support of Reissue under 37 C.F.R. § 1.171, dated Sep. 27, 2001.

Declaration of Gary K. Michelson in Support of Reissue under 37 C.F.R. § 1.171, dated Aug. 7, 2001.

Hutter, C.G., "Spinal Stenosis and Posterior Lumbar Fusion," Clinical Orthopaedics and Related Research No. 193, Mar. 1985, pp. 103-114.

PCT International Publication No. WO 94/28824 Dec. 1994.

\* cited by examiner

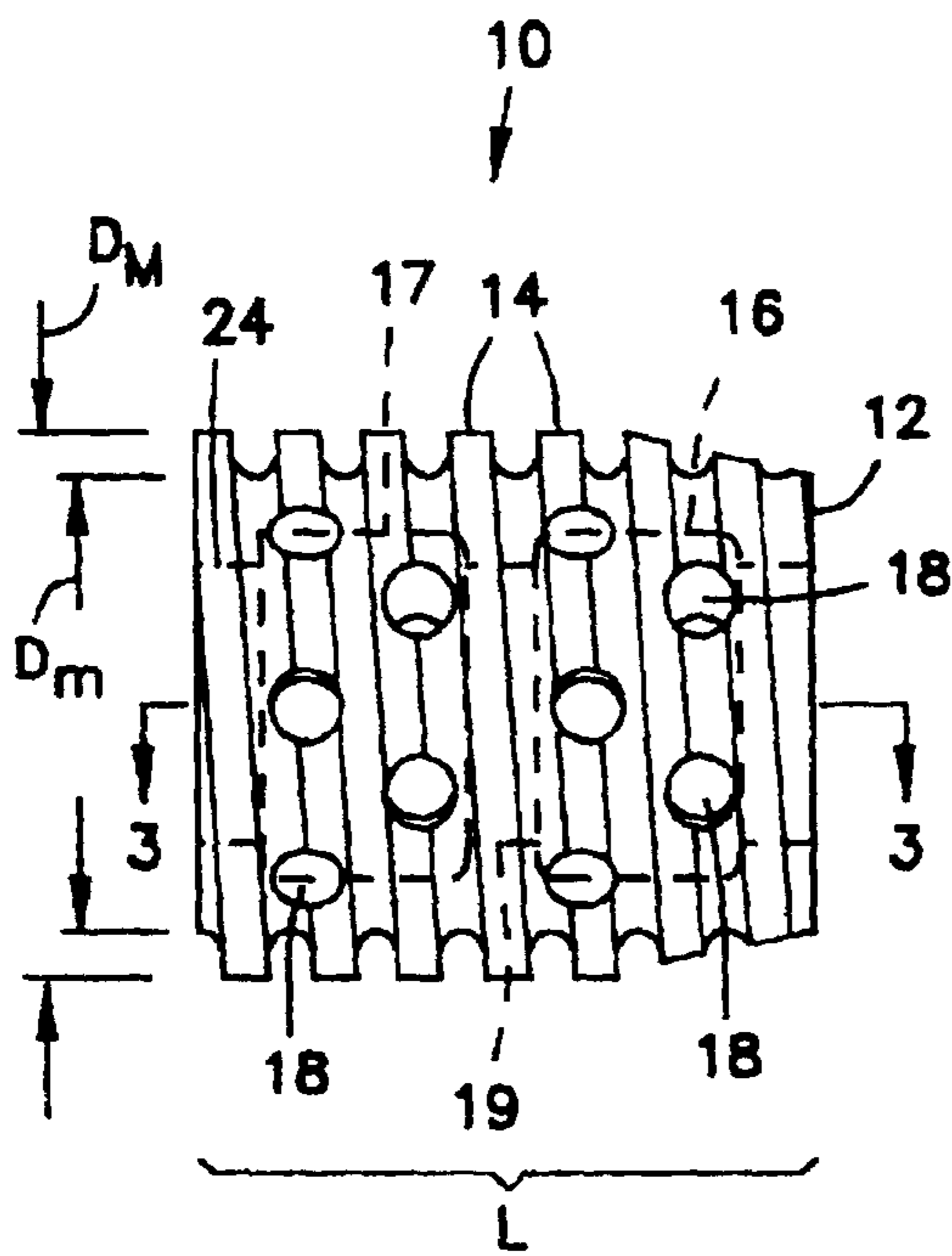


FIG. 1

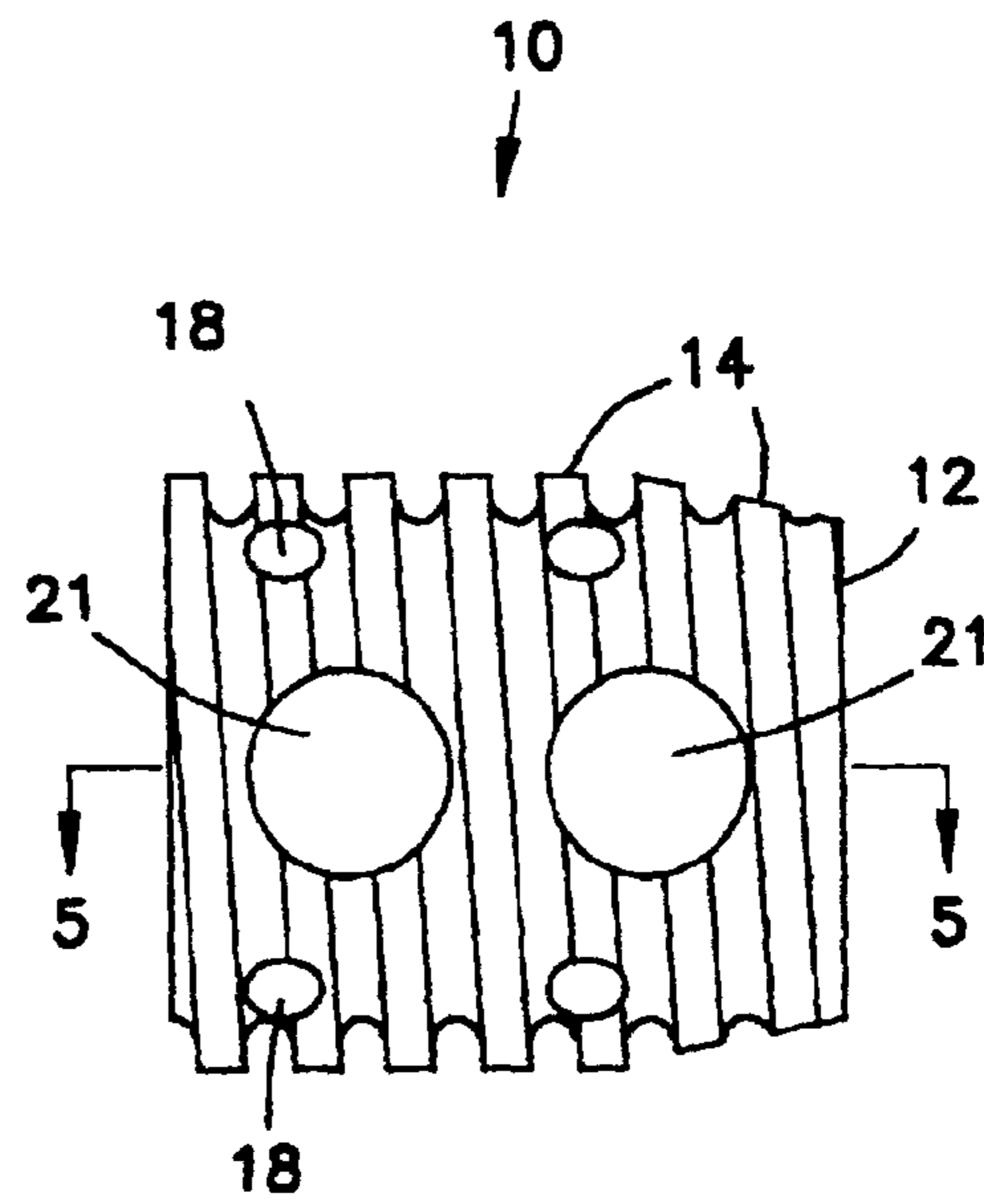


FIG. 2

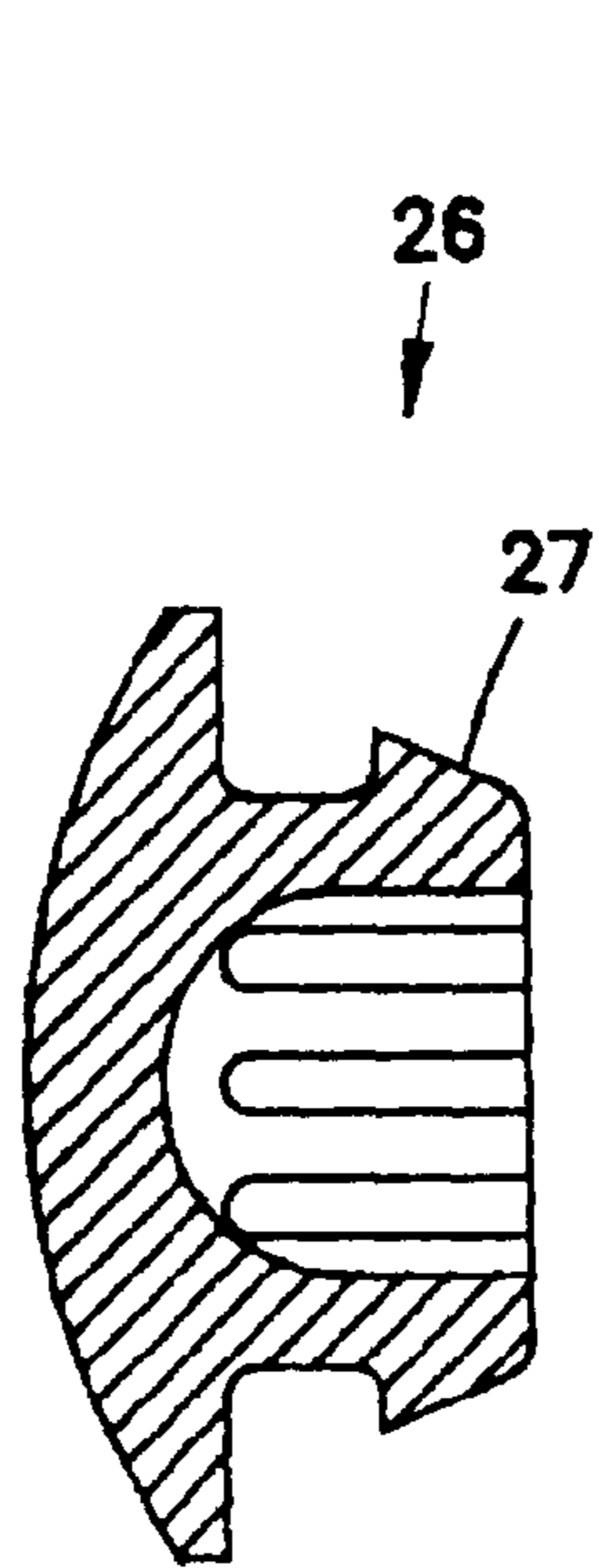


FIG. 7

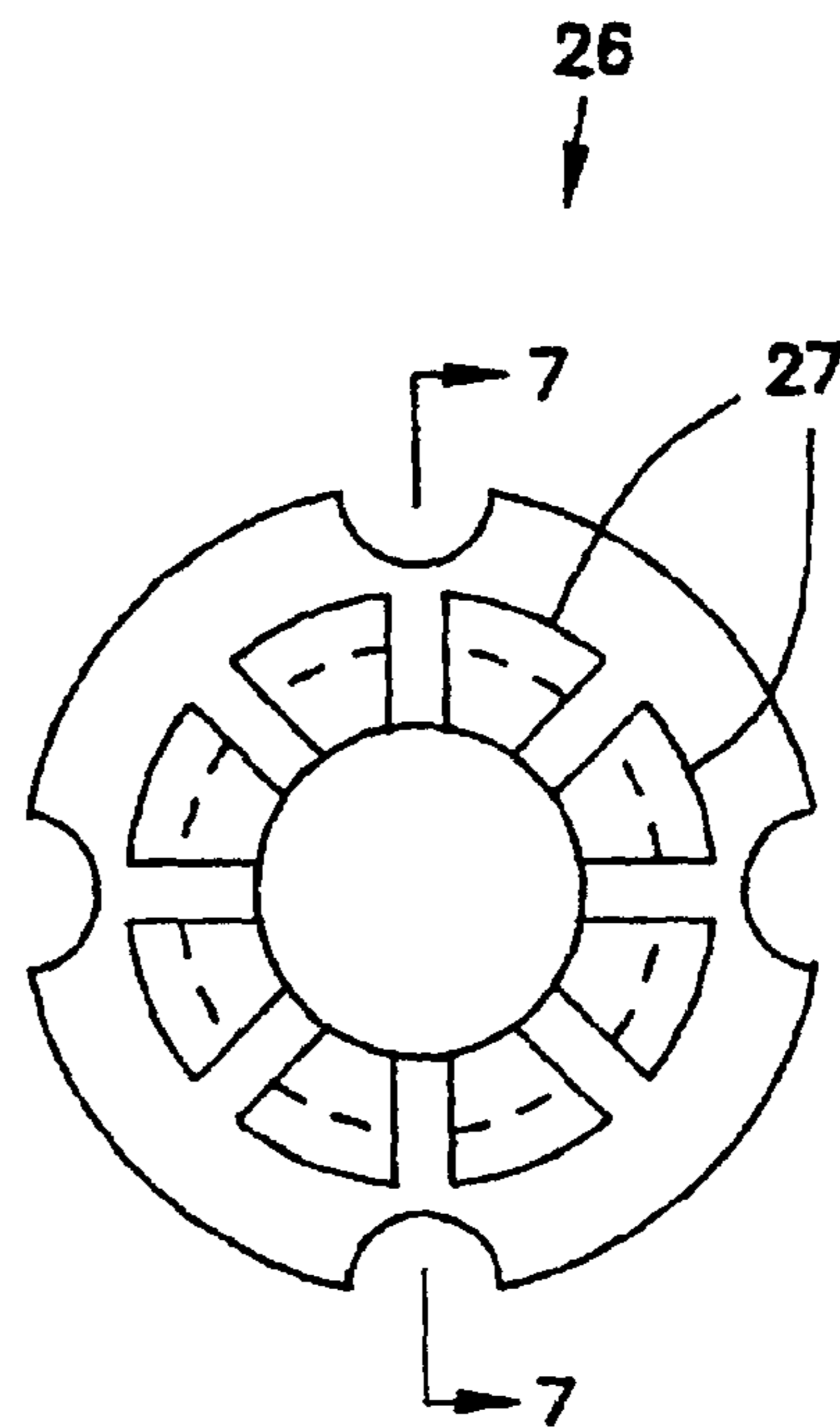


FIG. 8

FIG. 3

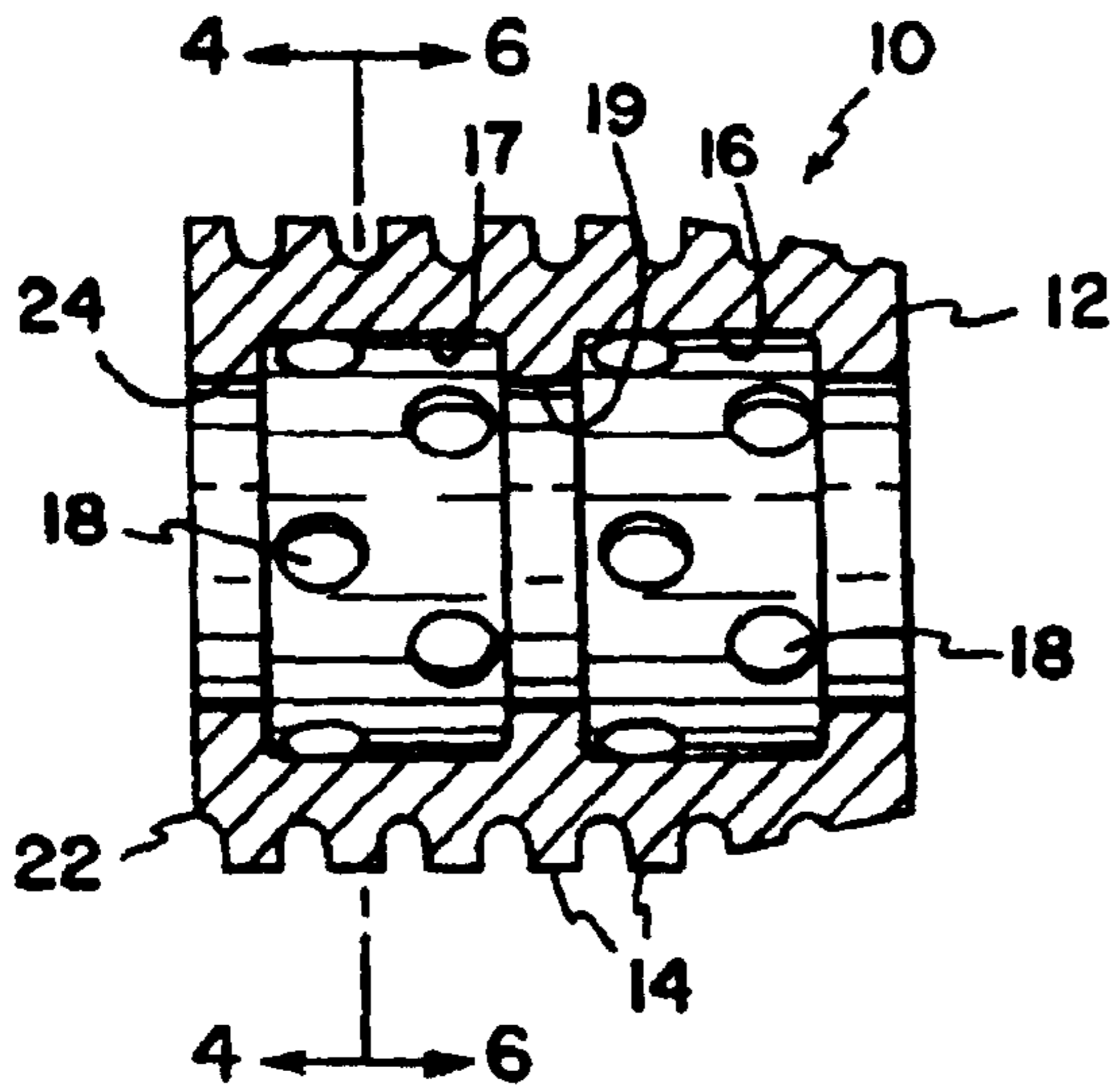


FIG. 4

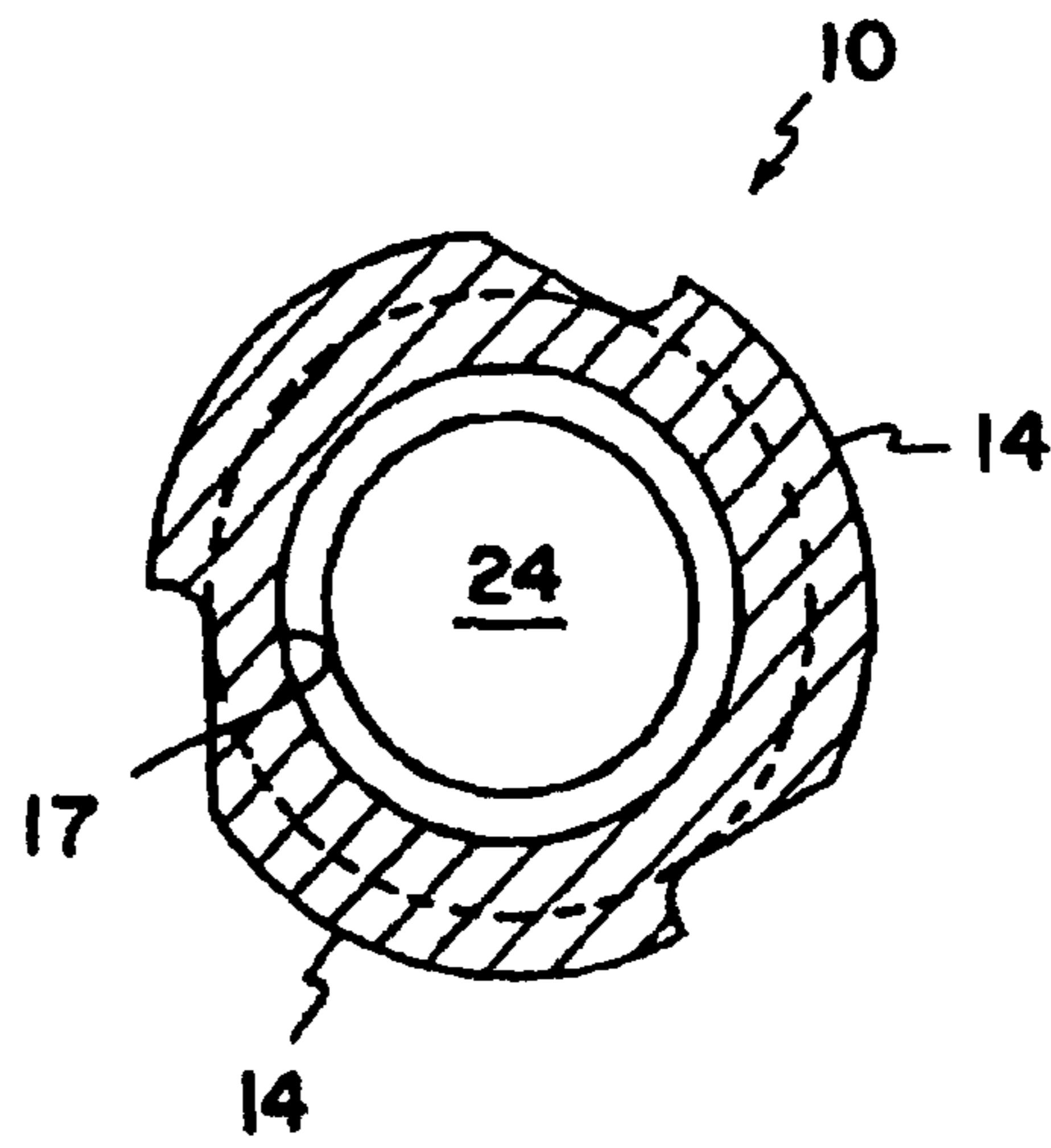


FIG. 5

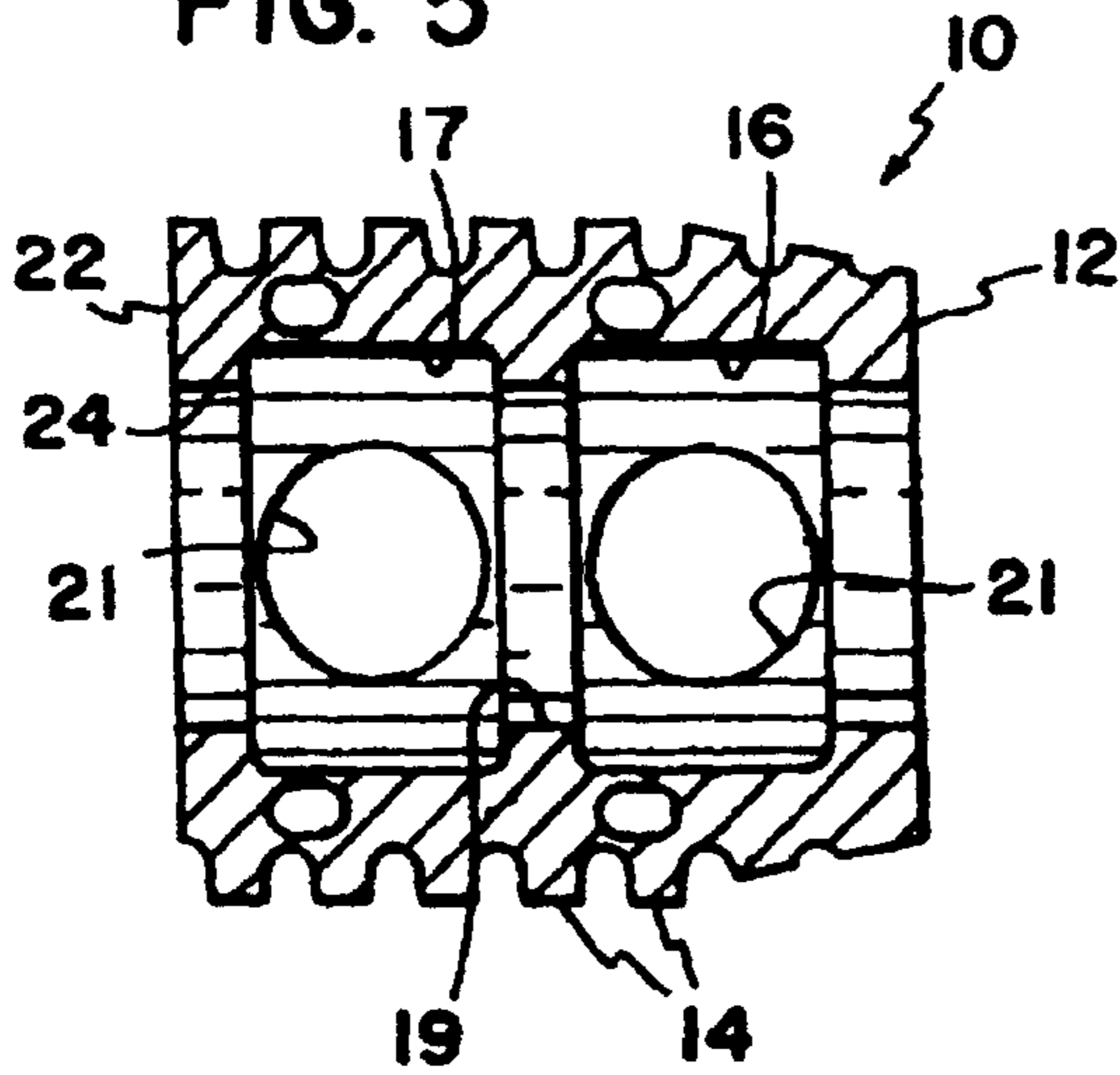
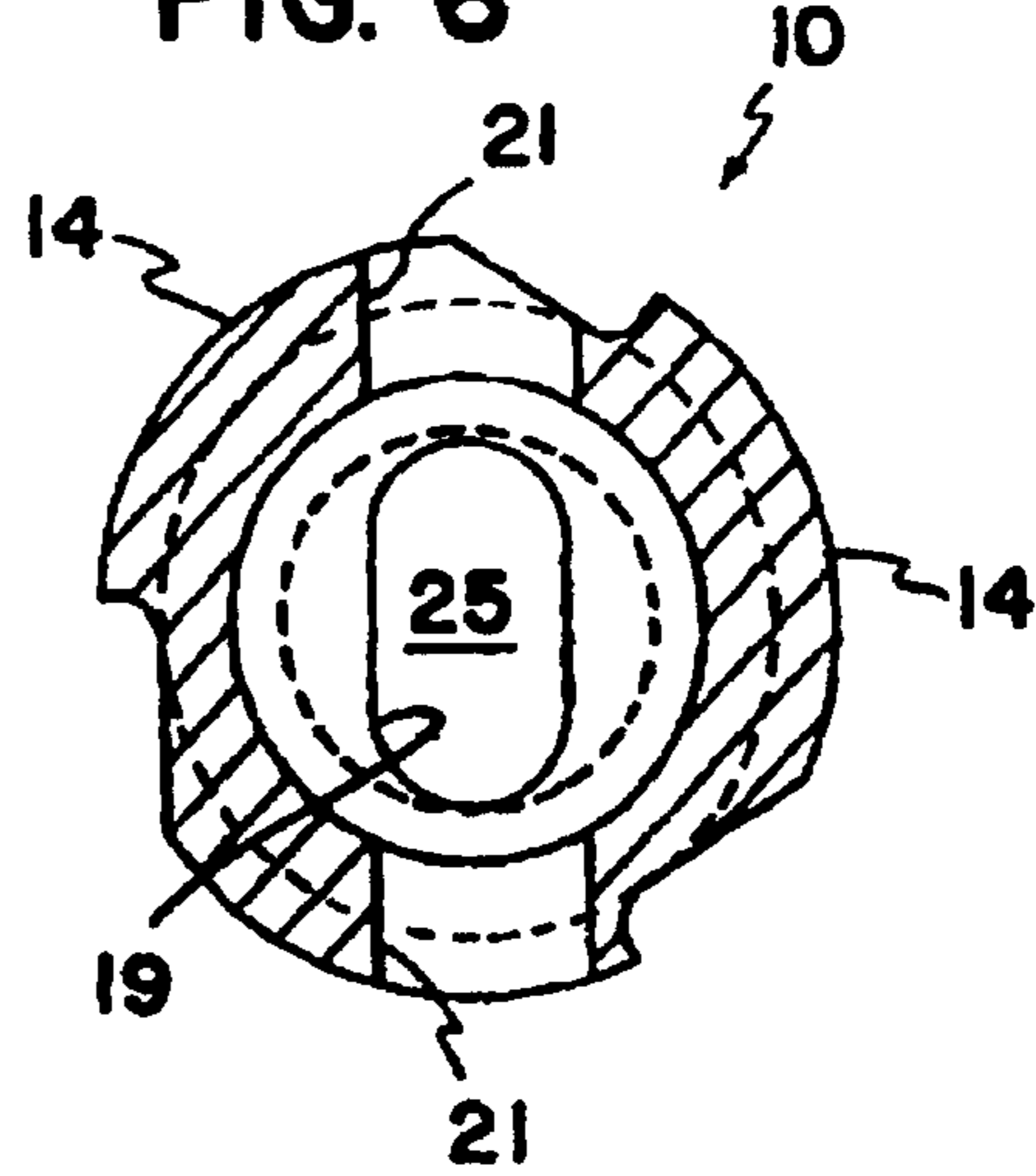
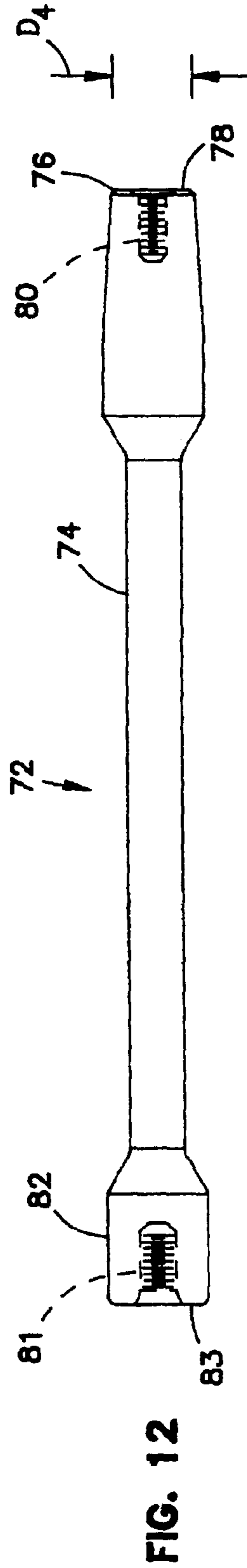
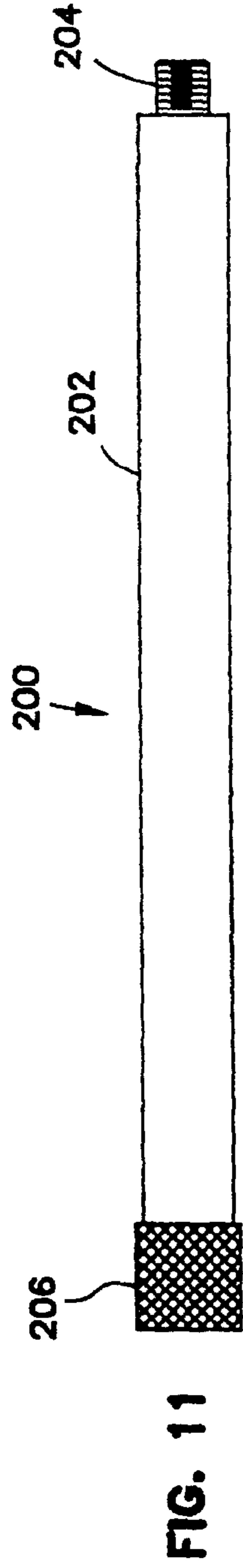
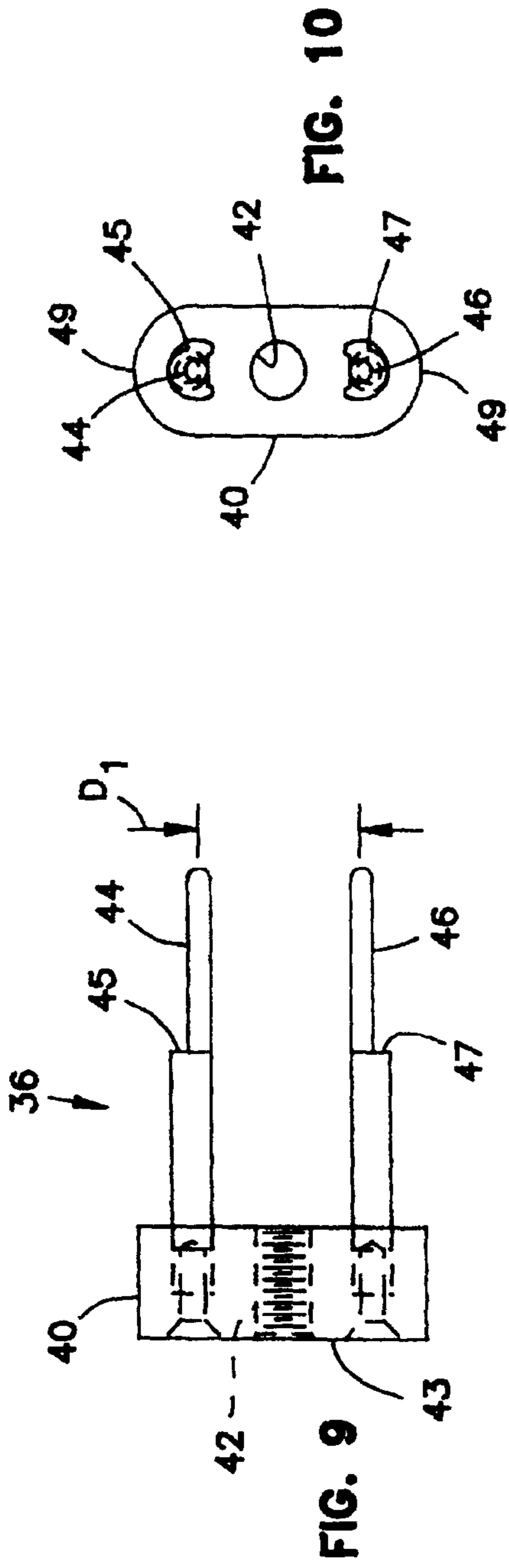


FIG. 6







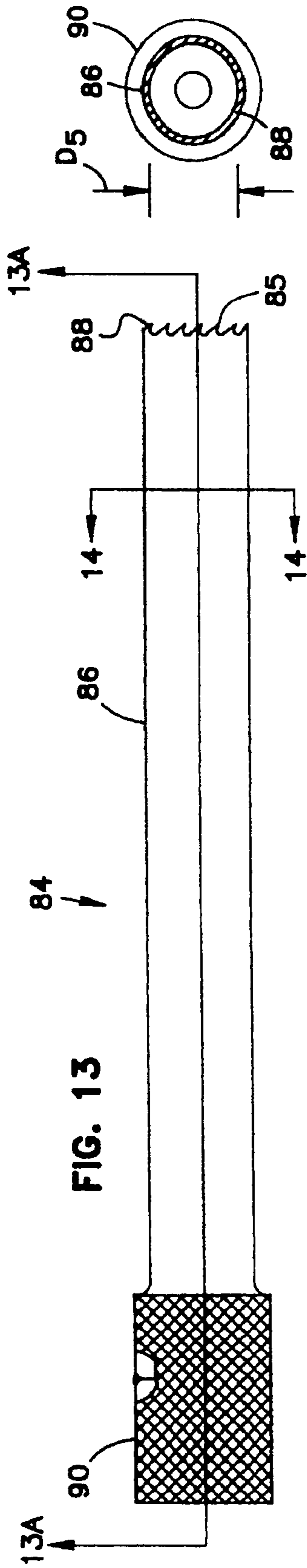


FIG. 14

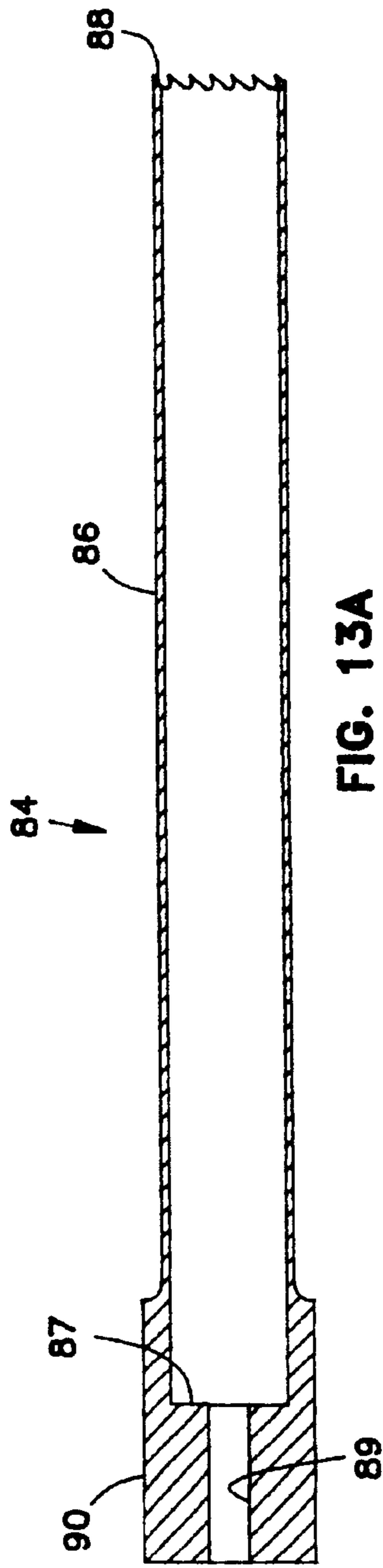


FIG. 13A

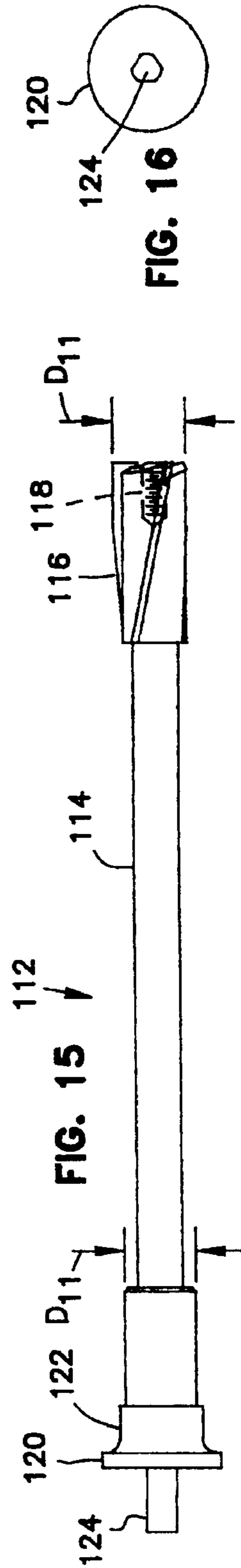


FIG. 16

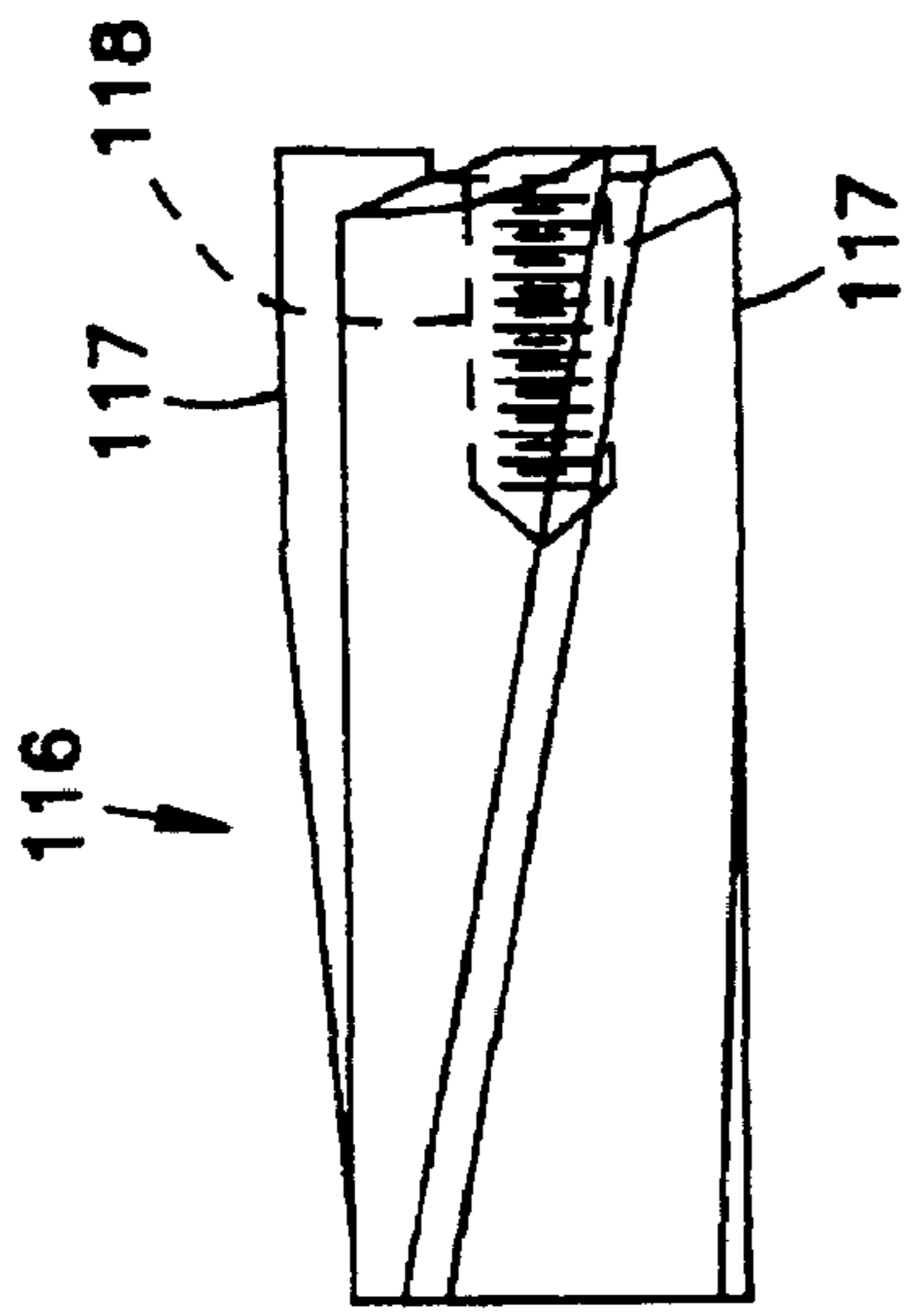


FIG. 17

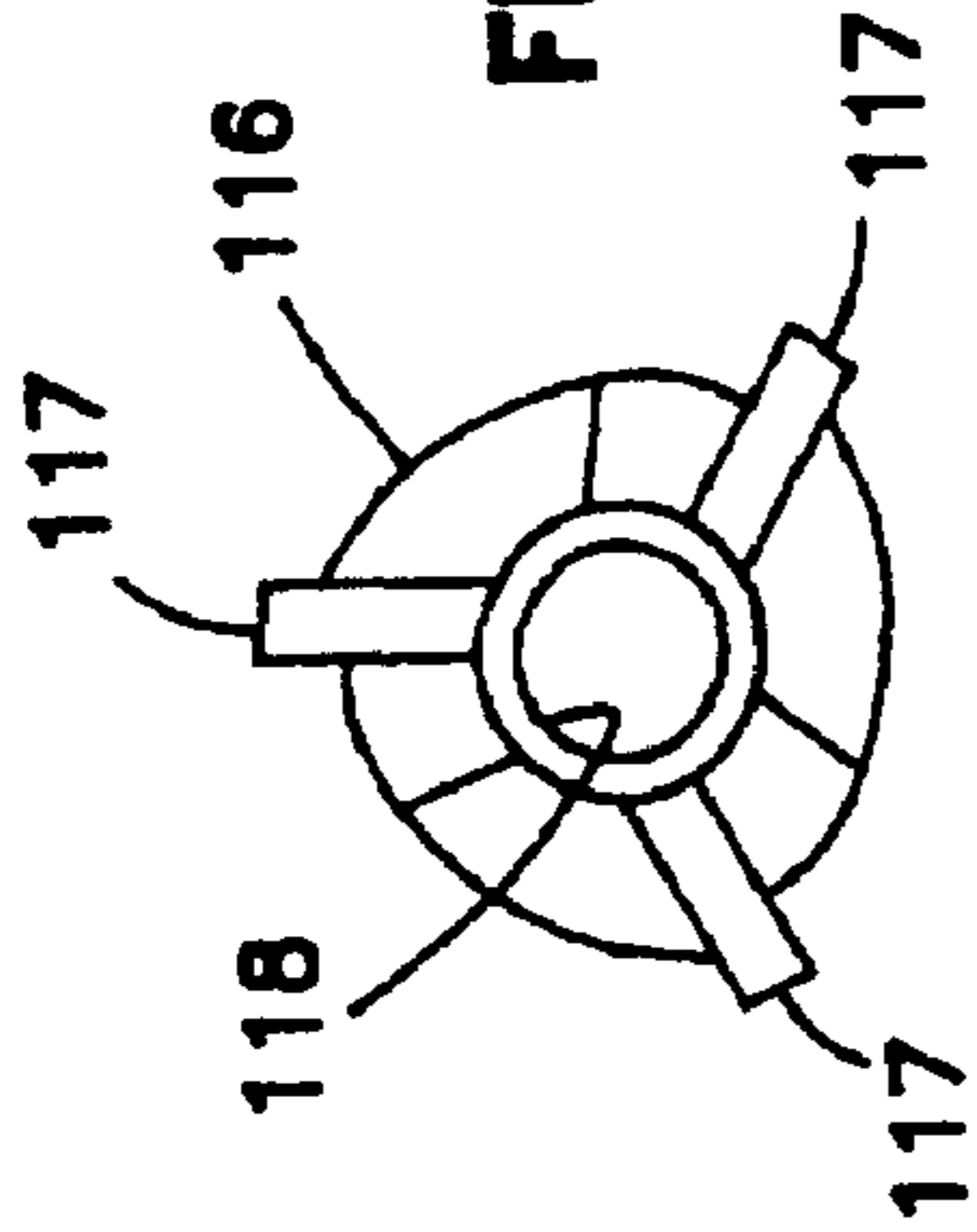


FIG. 18

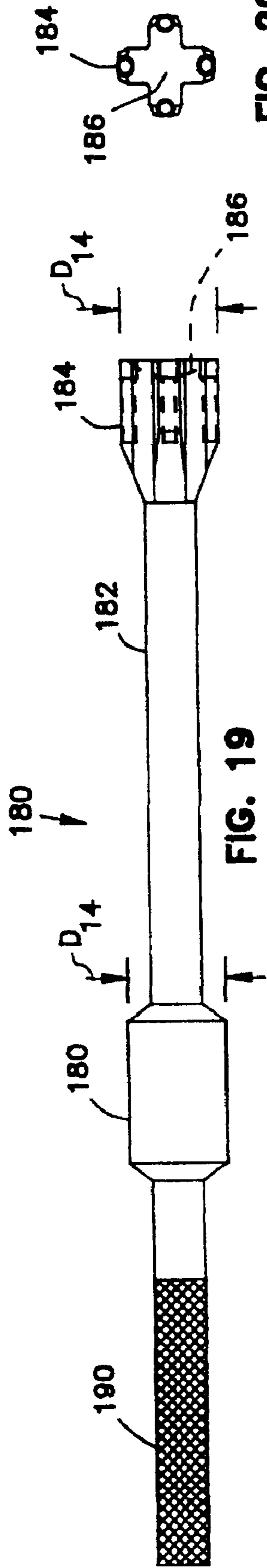


FIG. 19

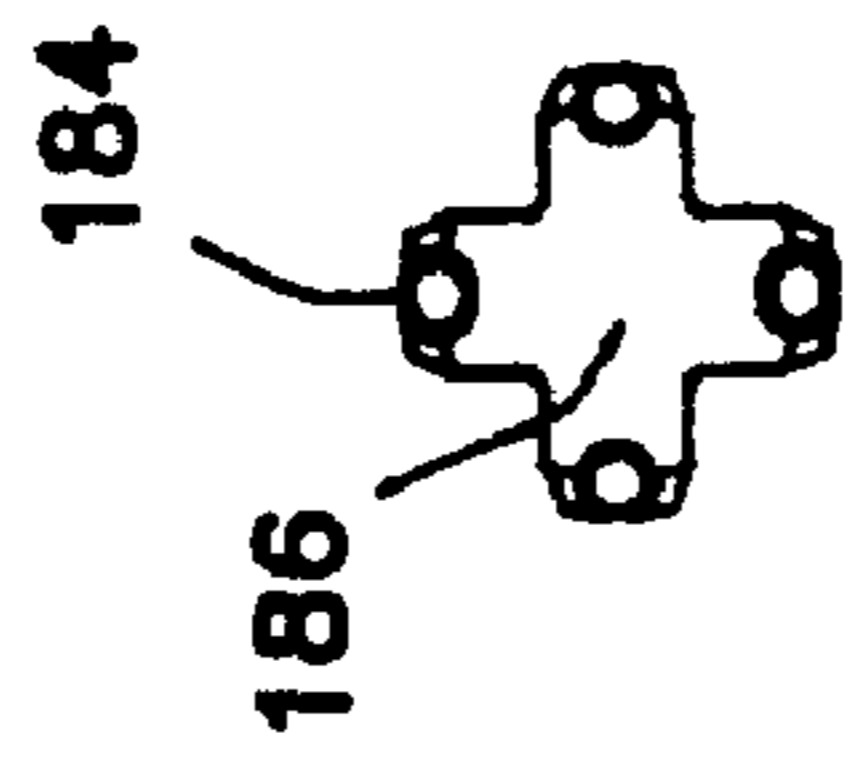


FIG. 20

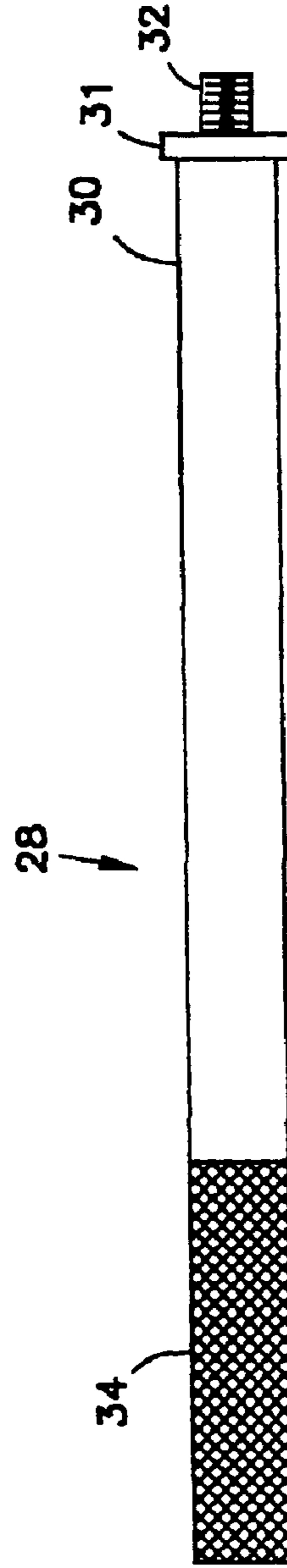


FIG. 21

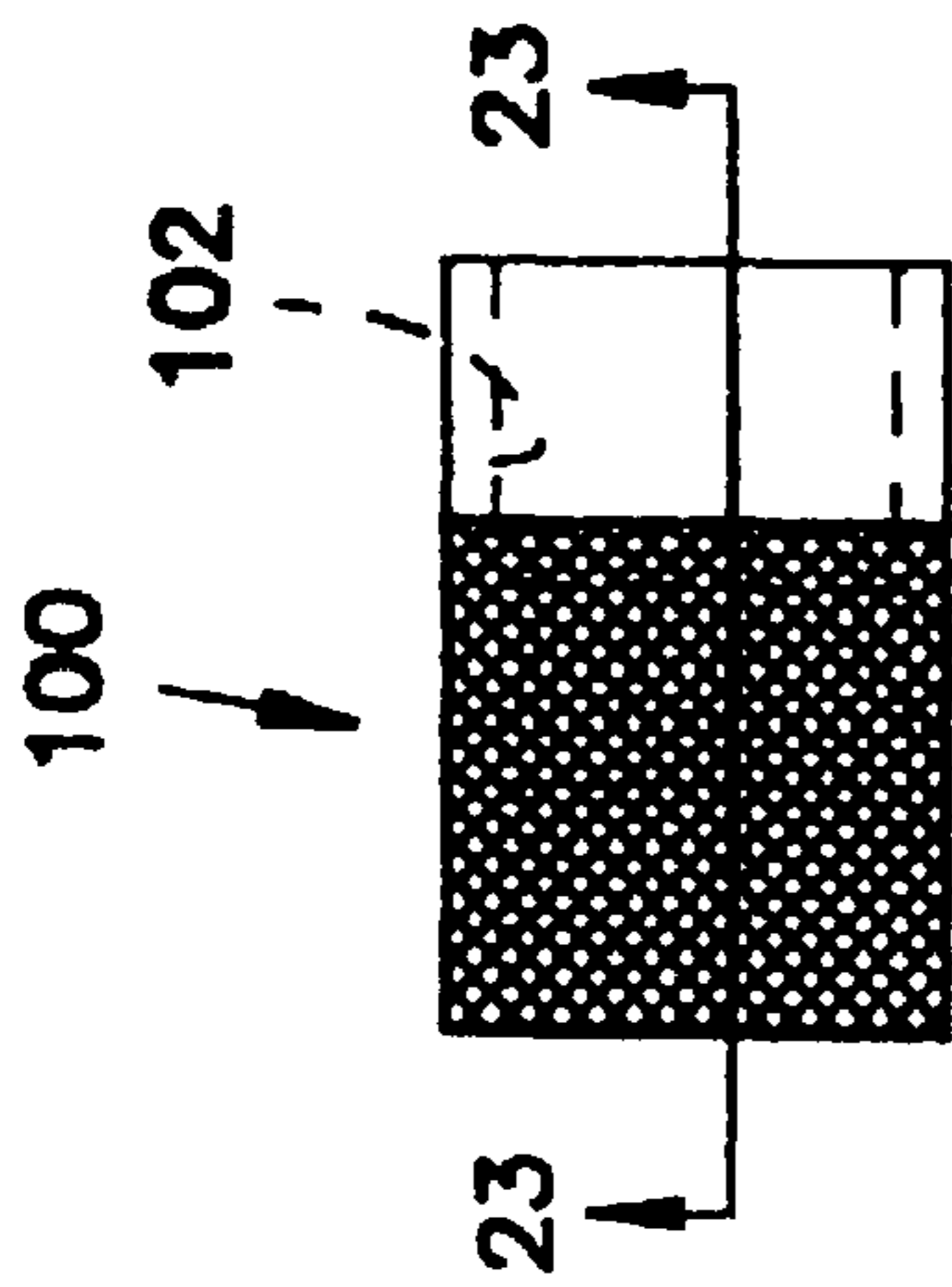


FIG. 22

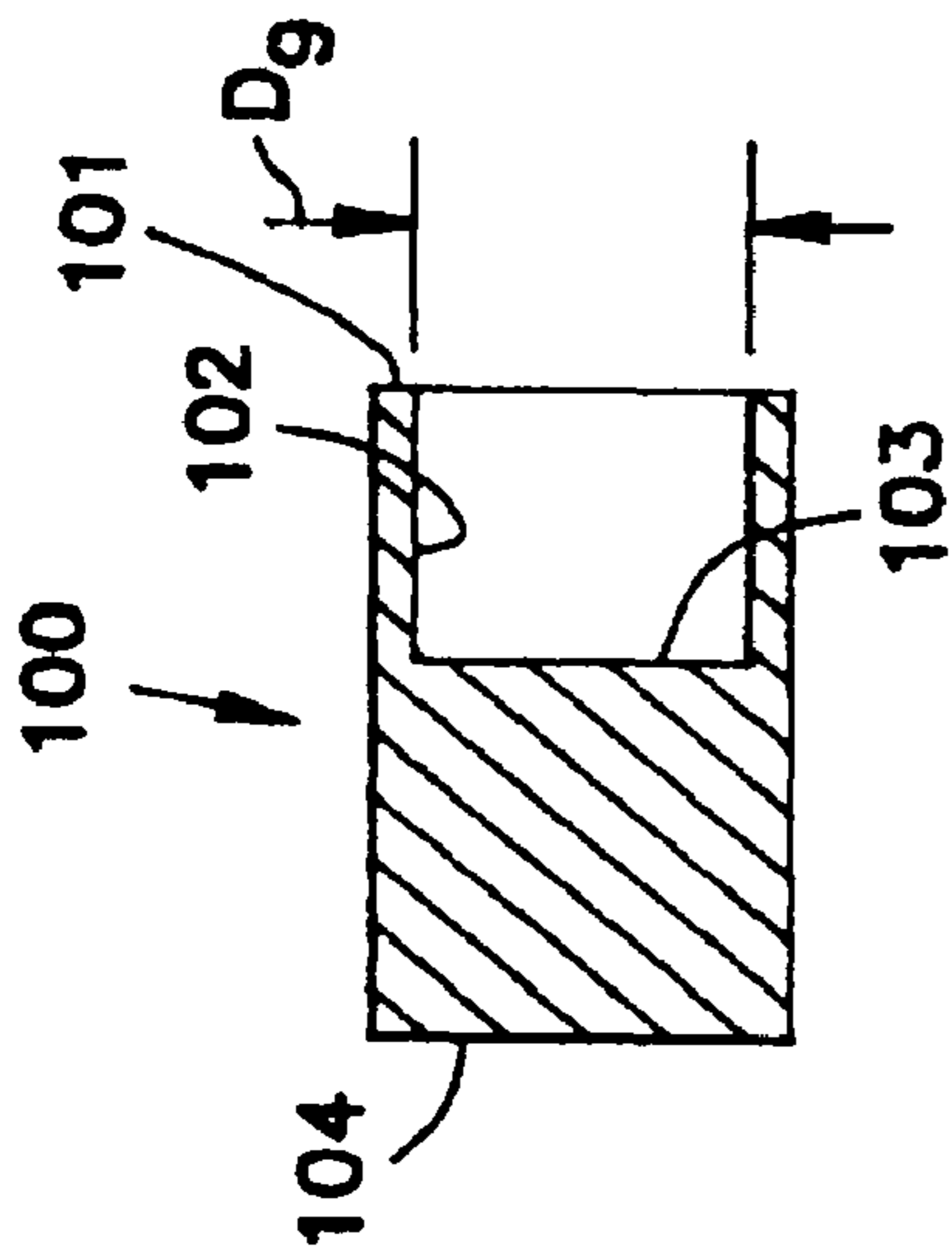


FIG. 23

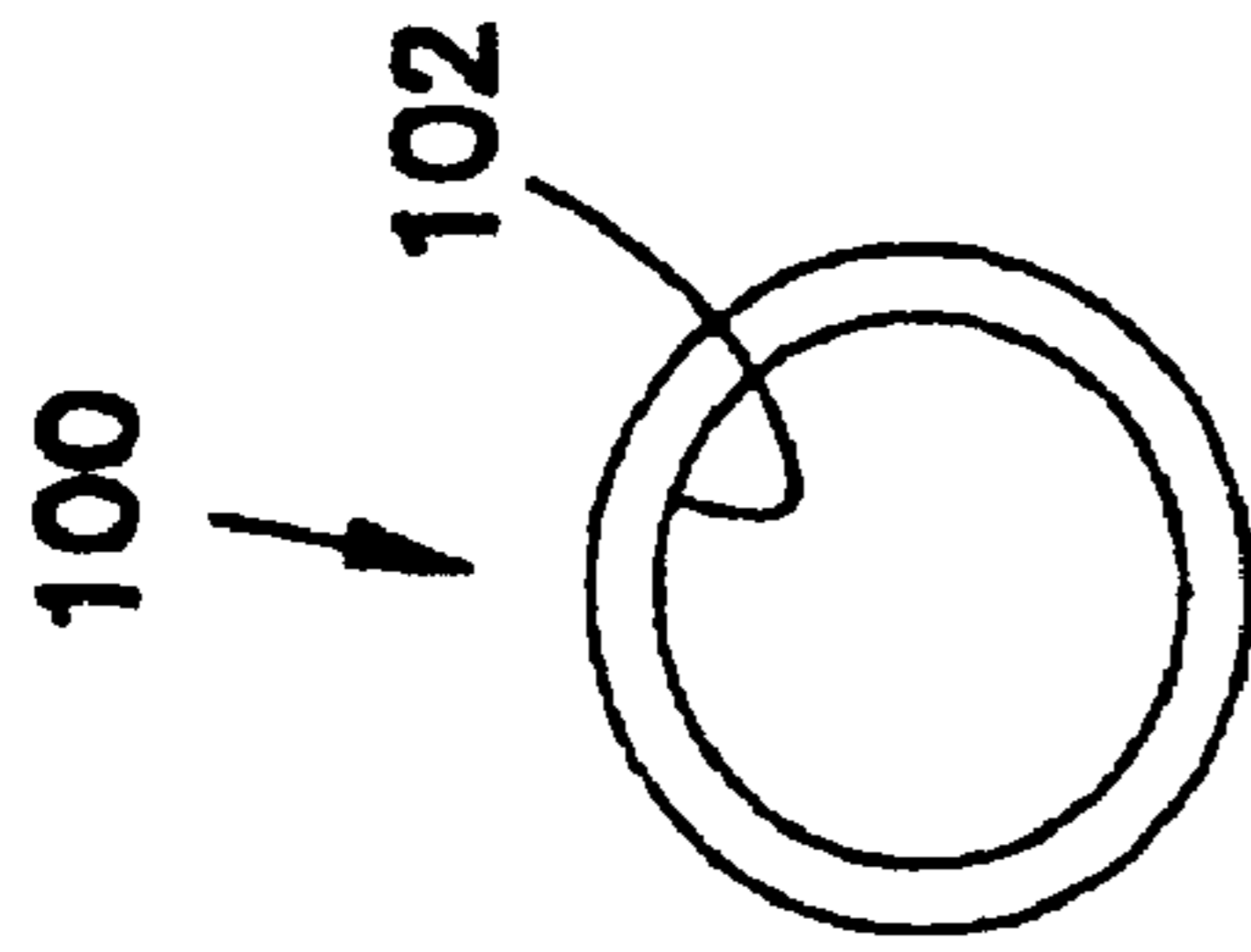


FIG. 24

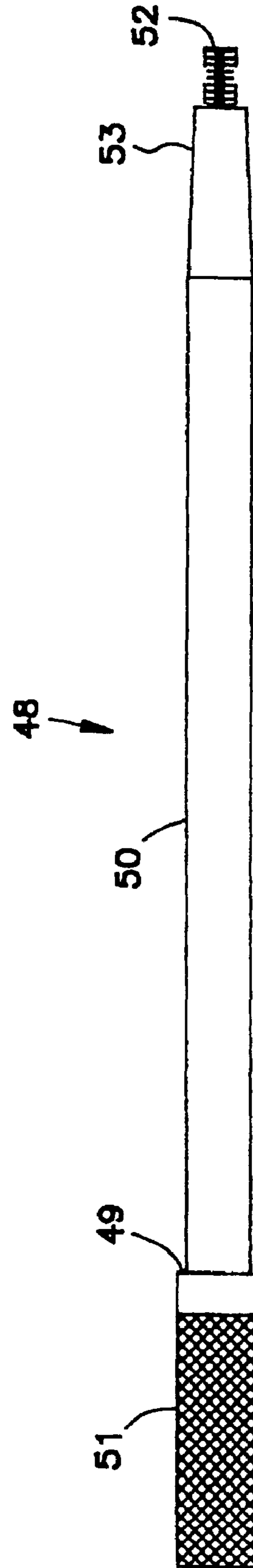


FIG. 25



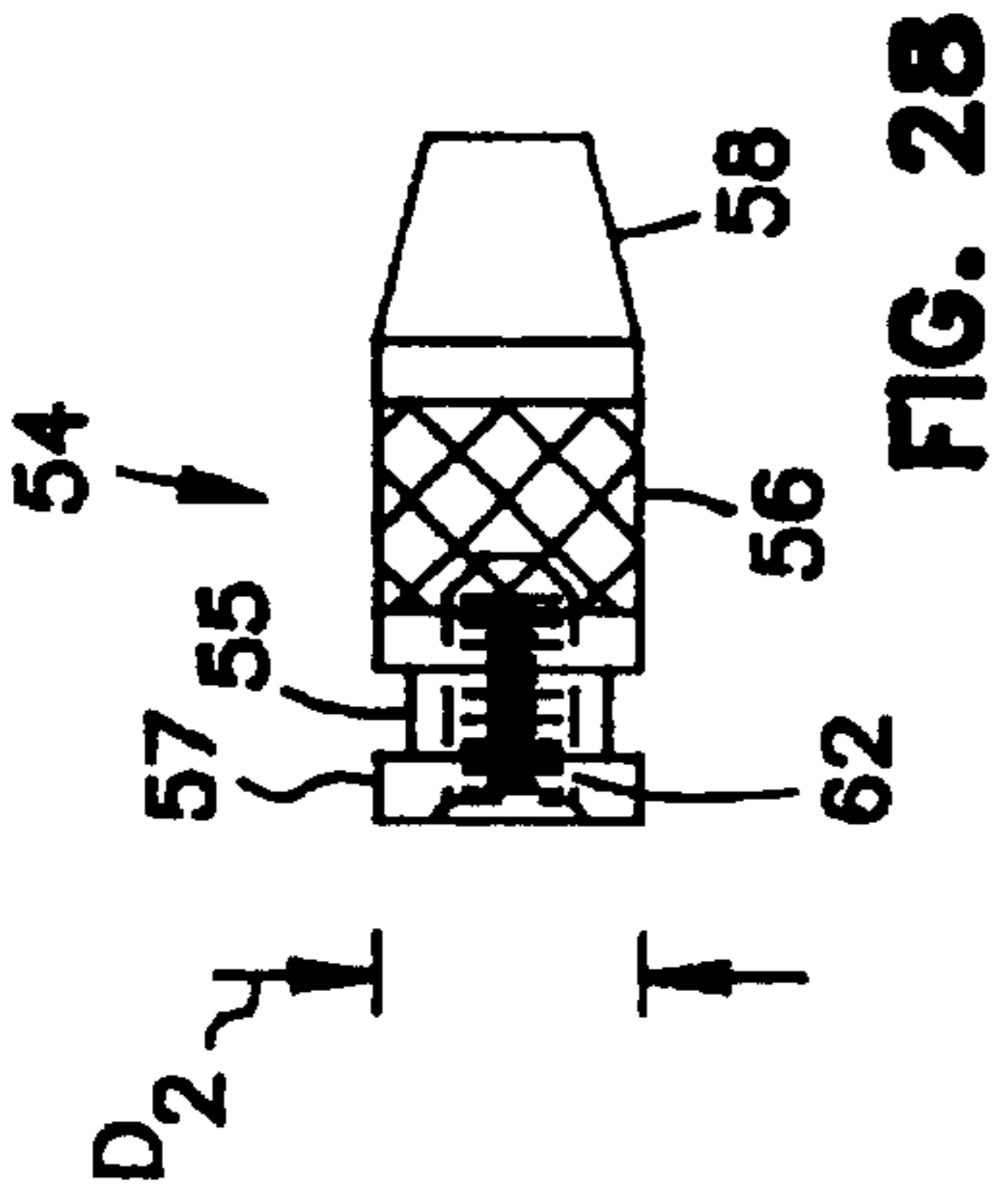


FIG. 26

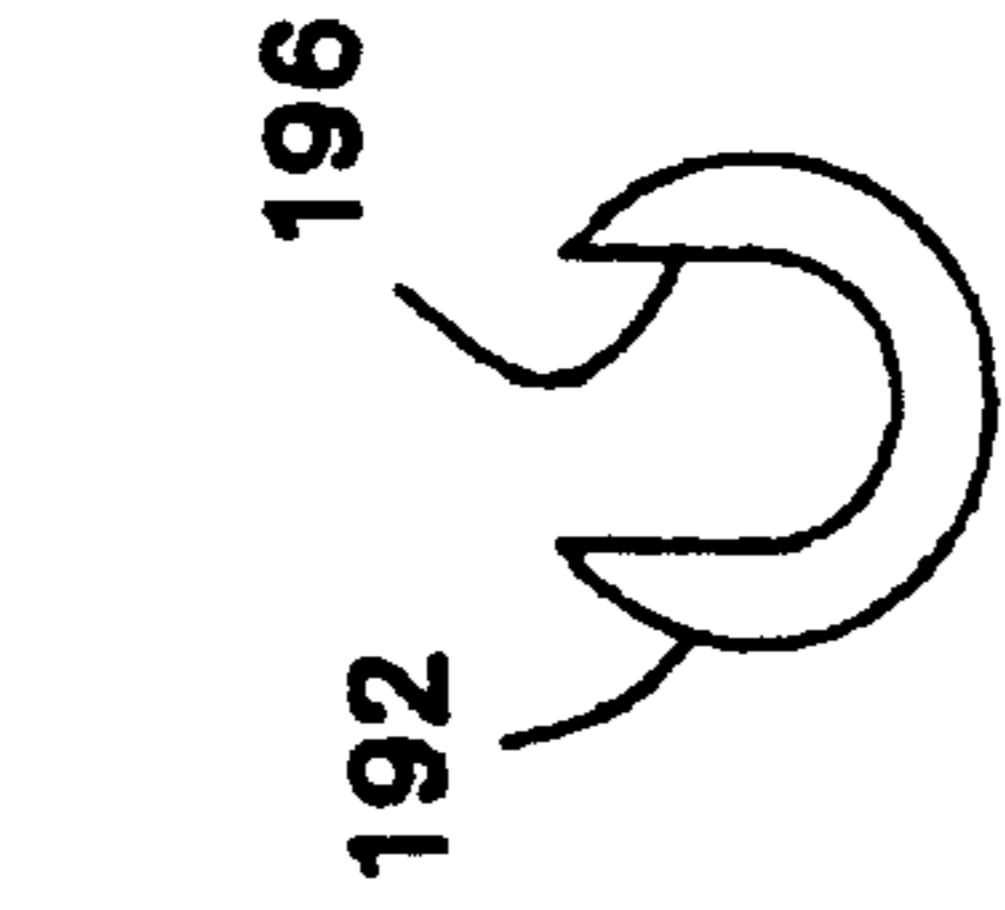


FIG. 27

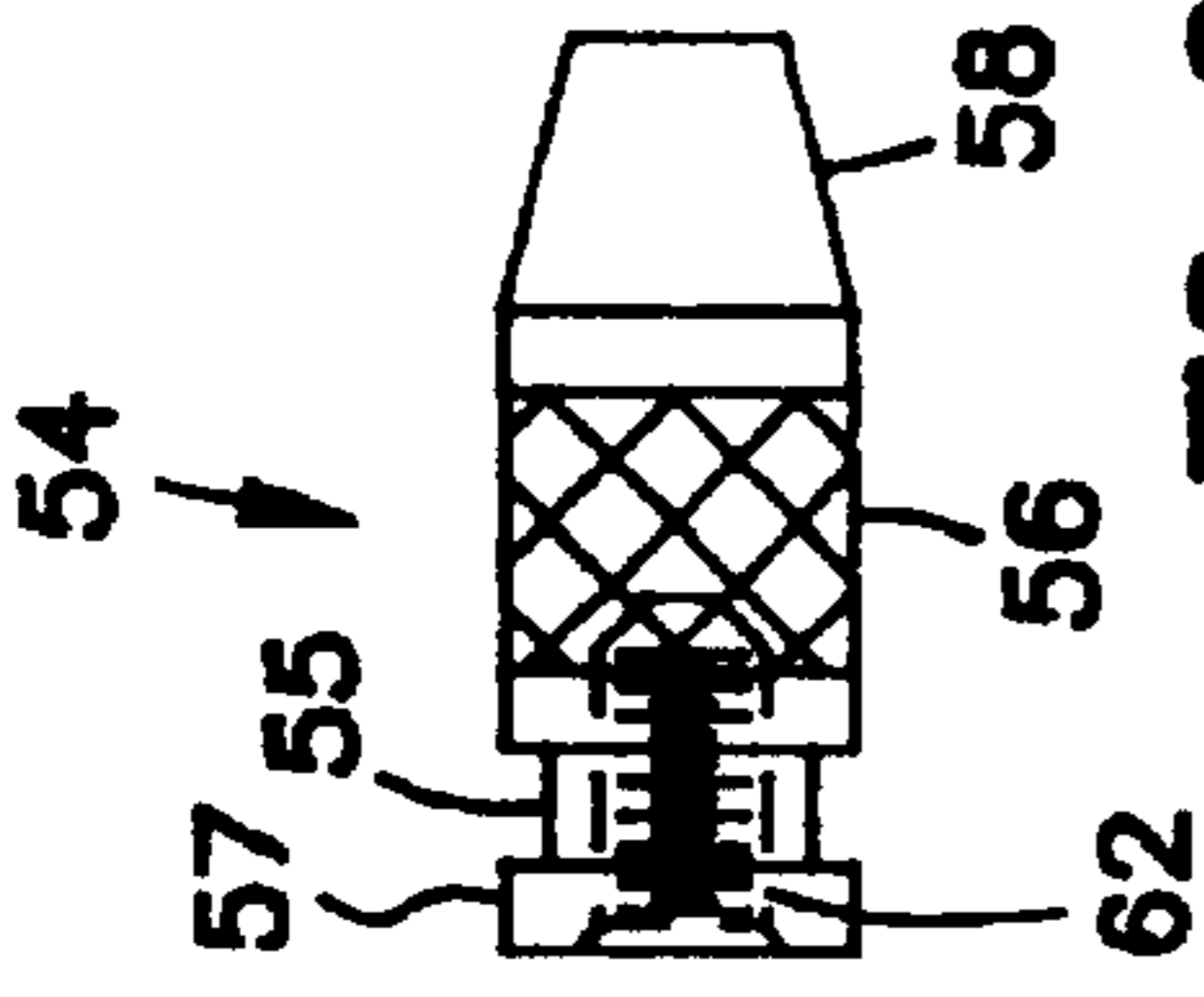


FIG. 28

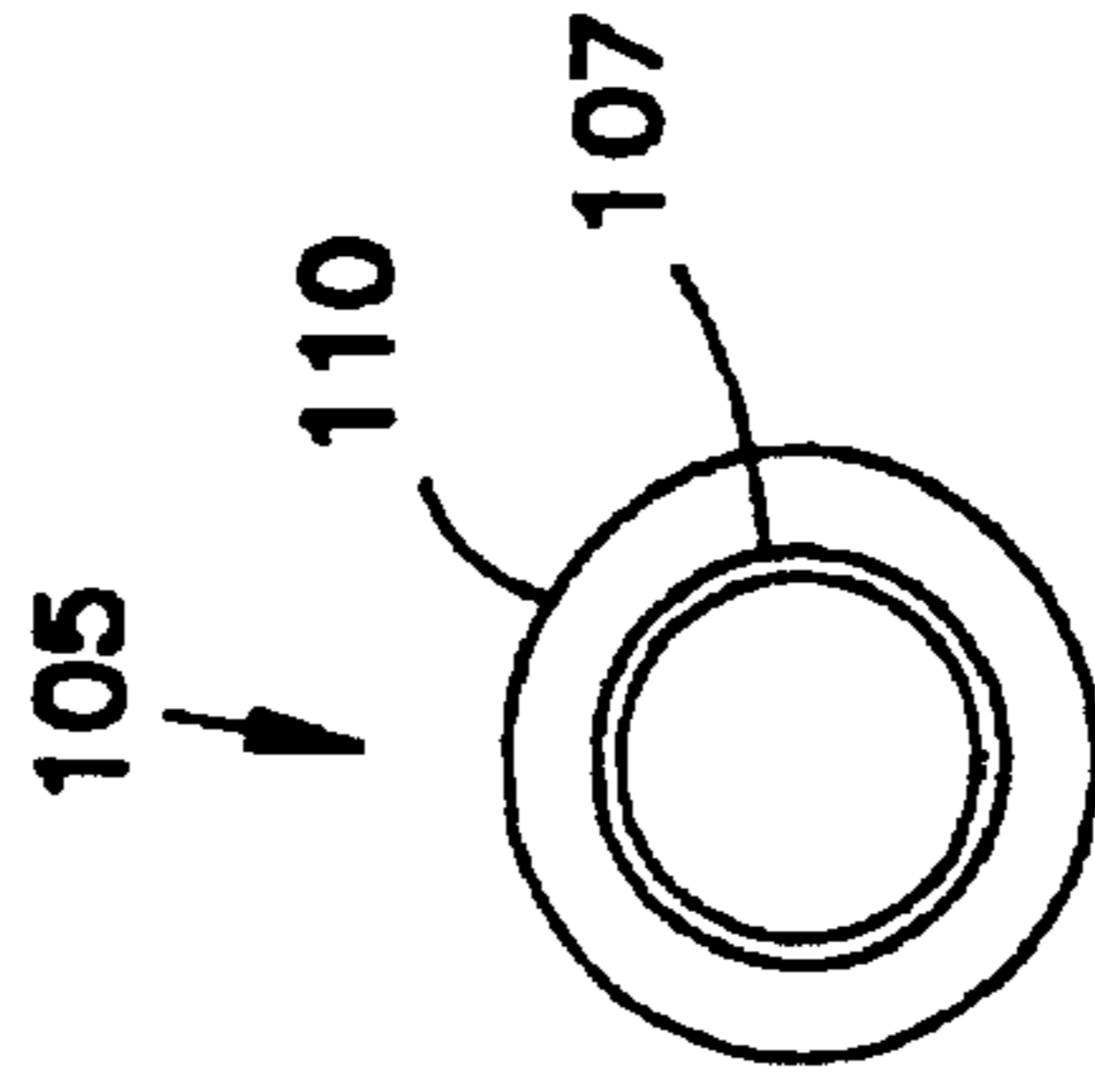


FIG. 29

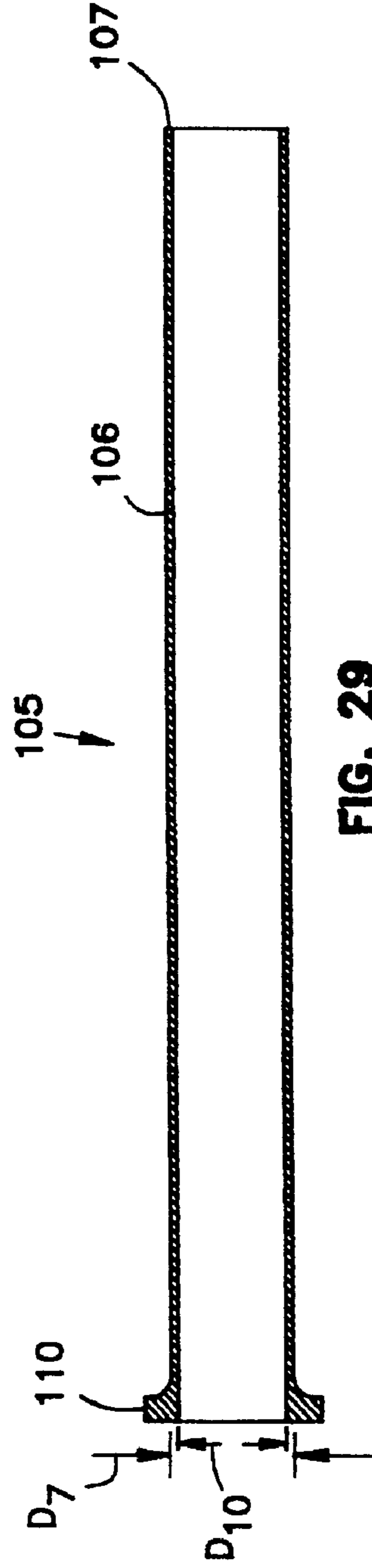


FIG. 29A

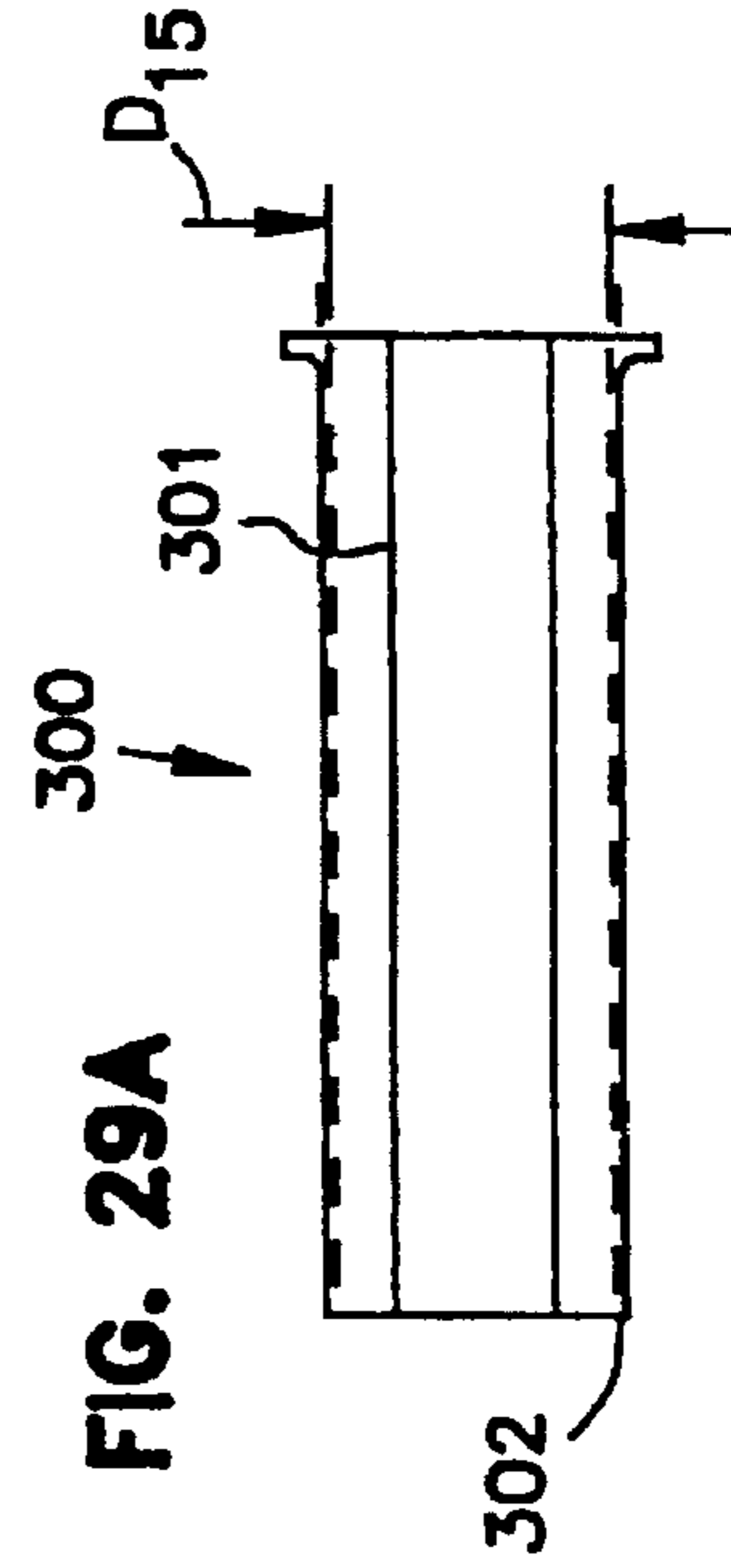


FIG. 30

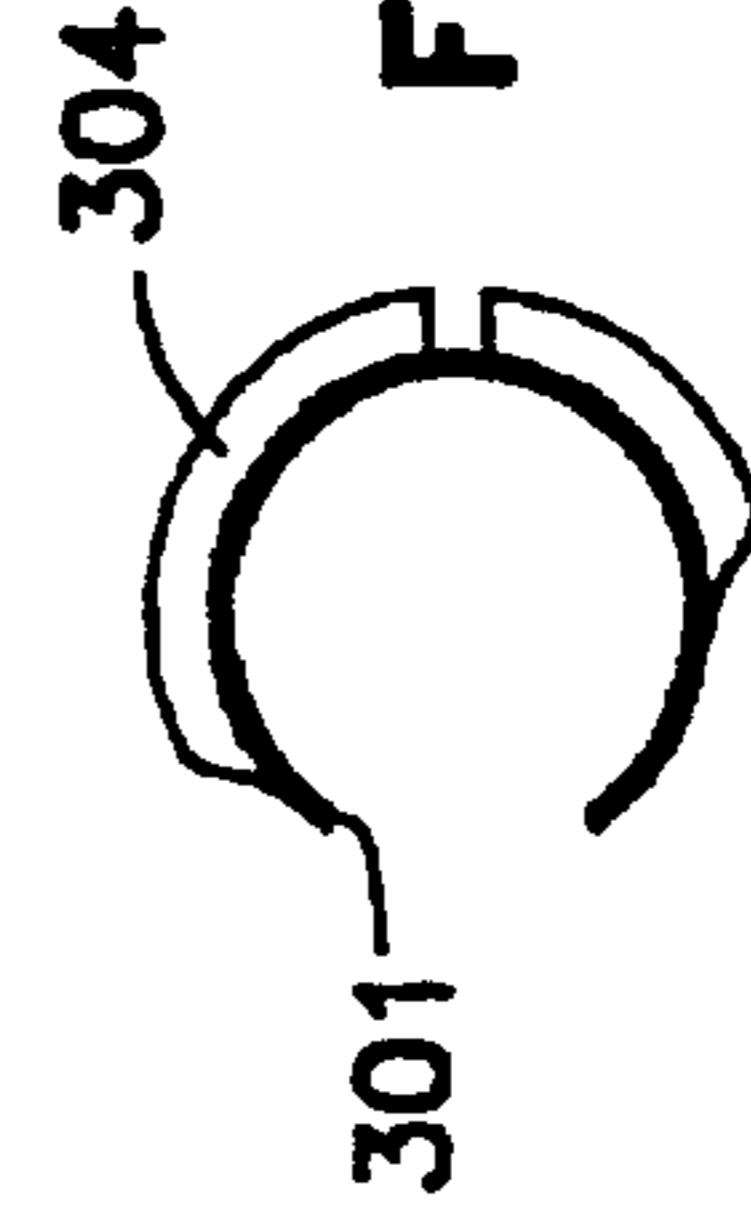


FIG. 30A

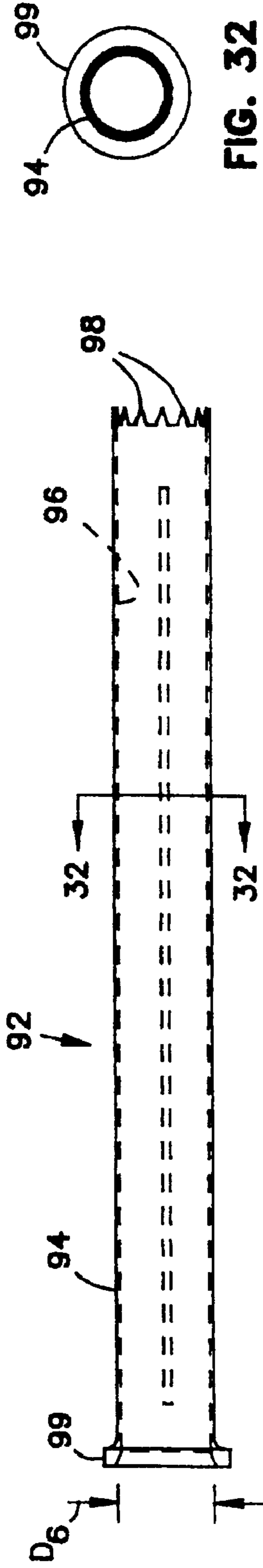


FIG. 31

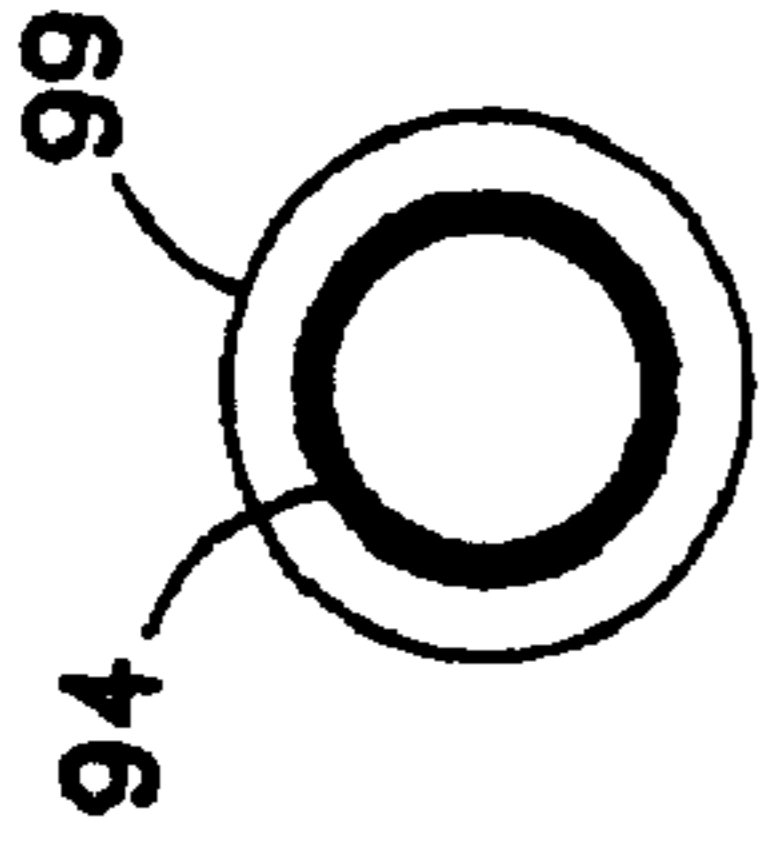


FIG. 32

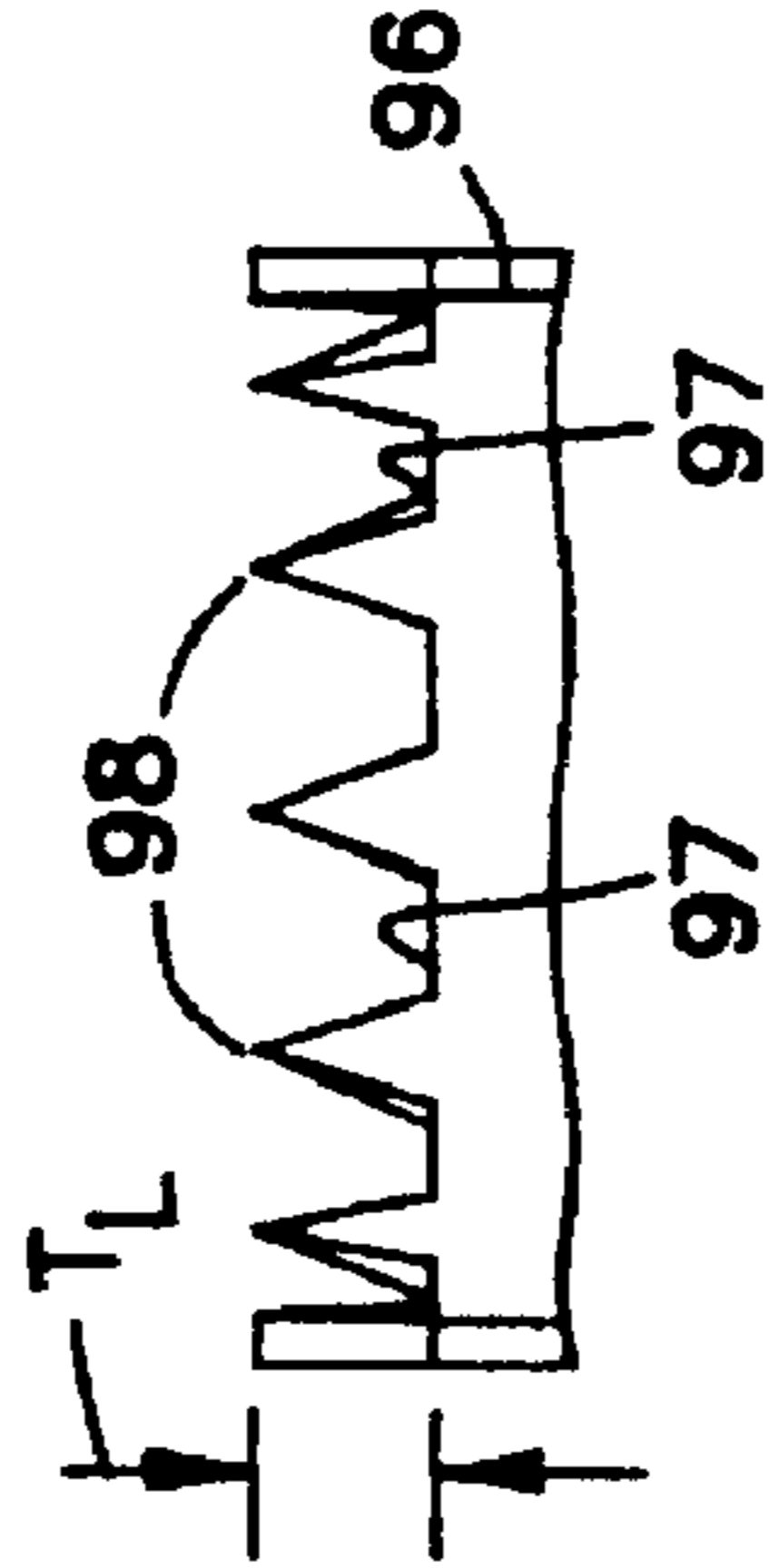


FIG. 33

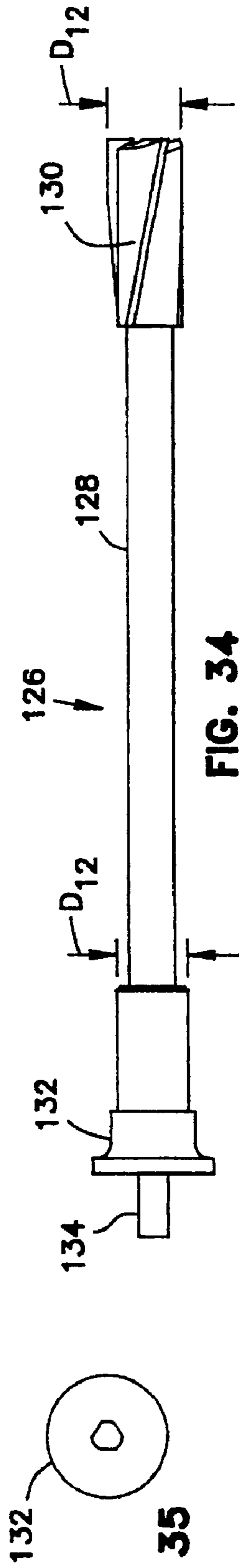


FIG. 34

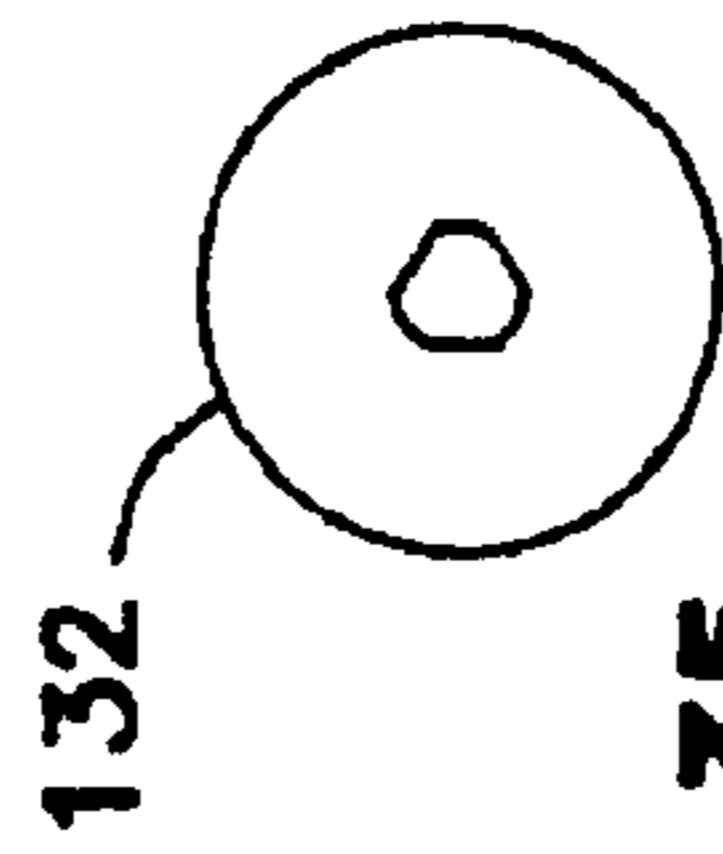


FIG. 35

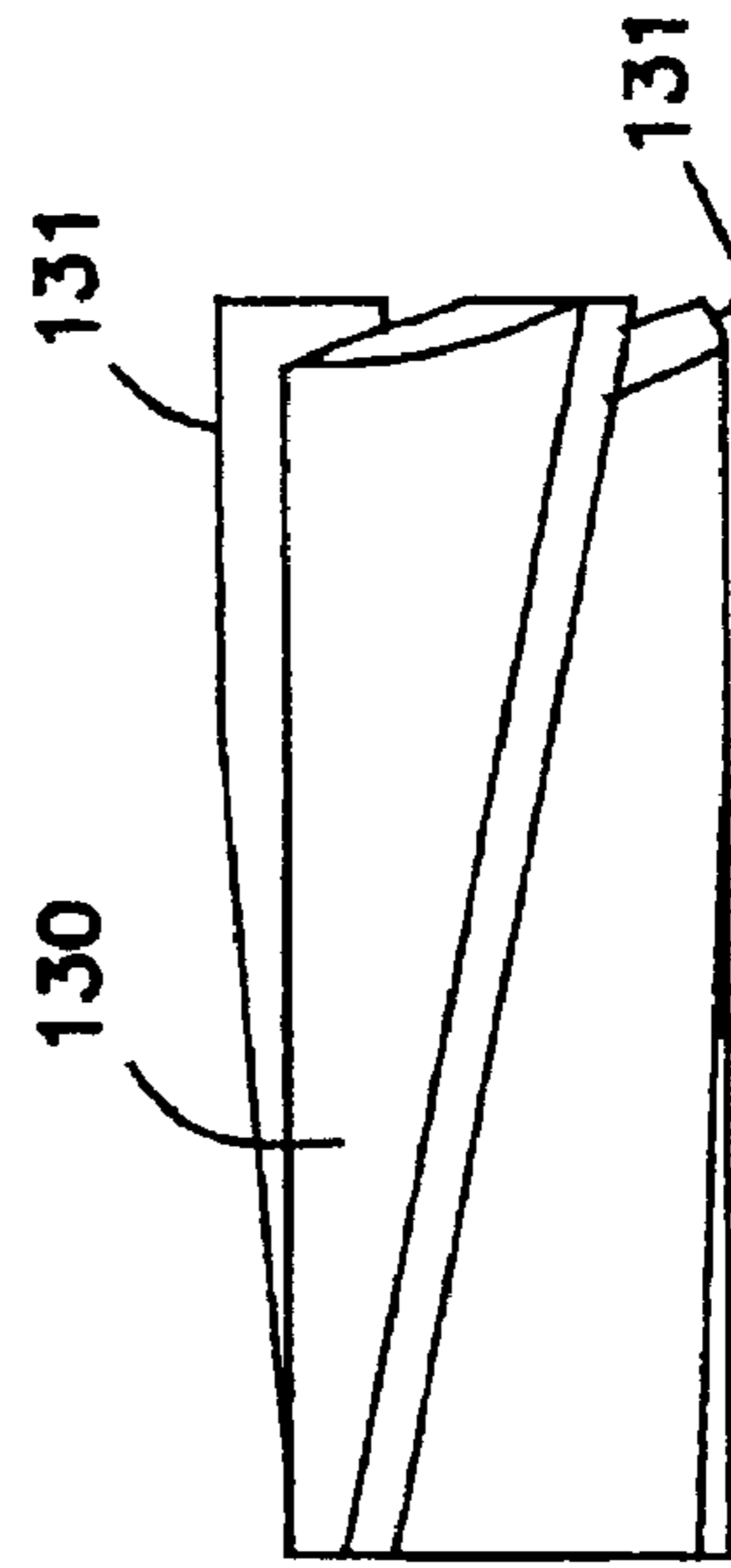


FIG. 36

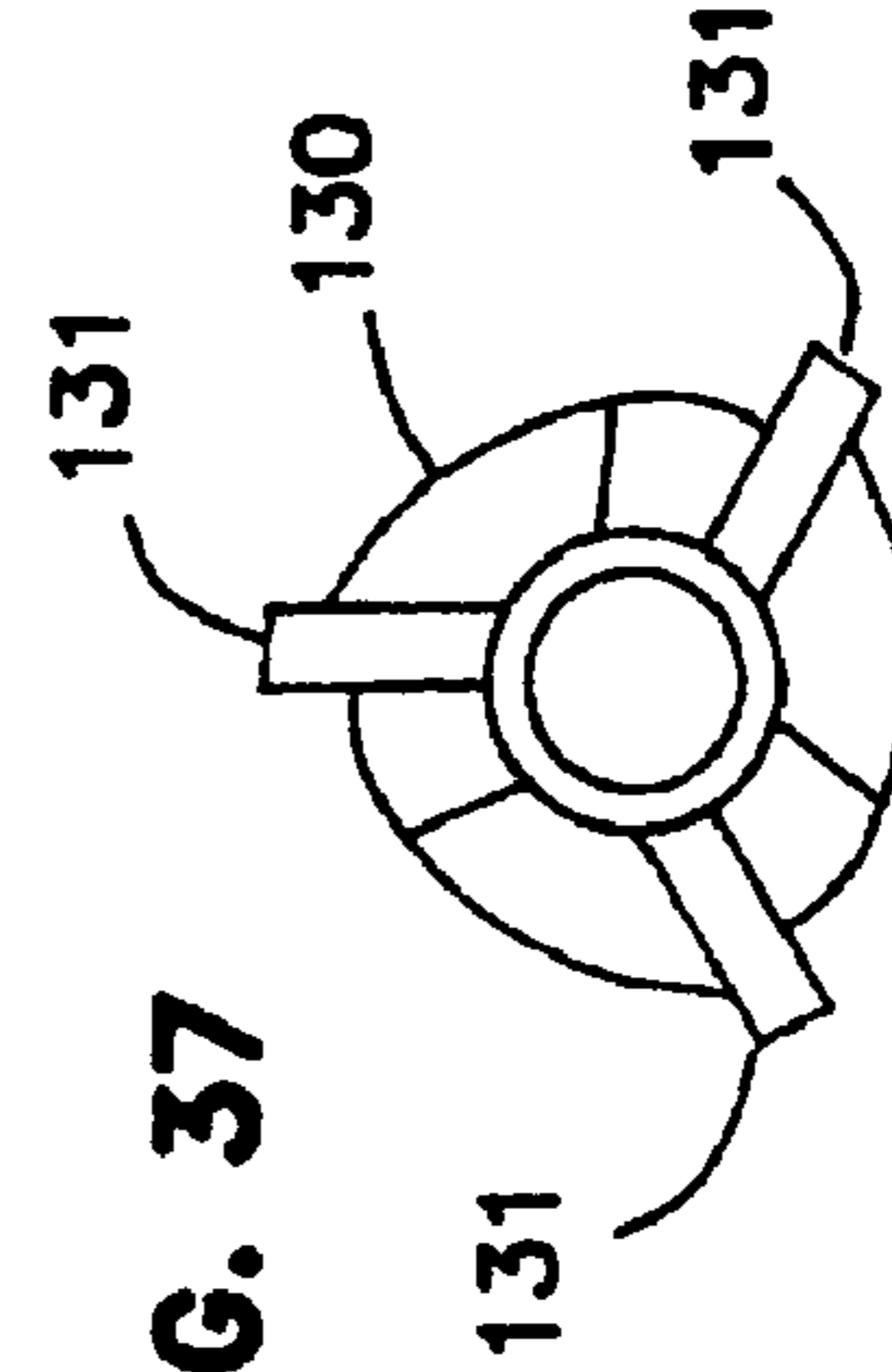
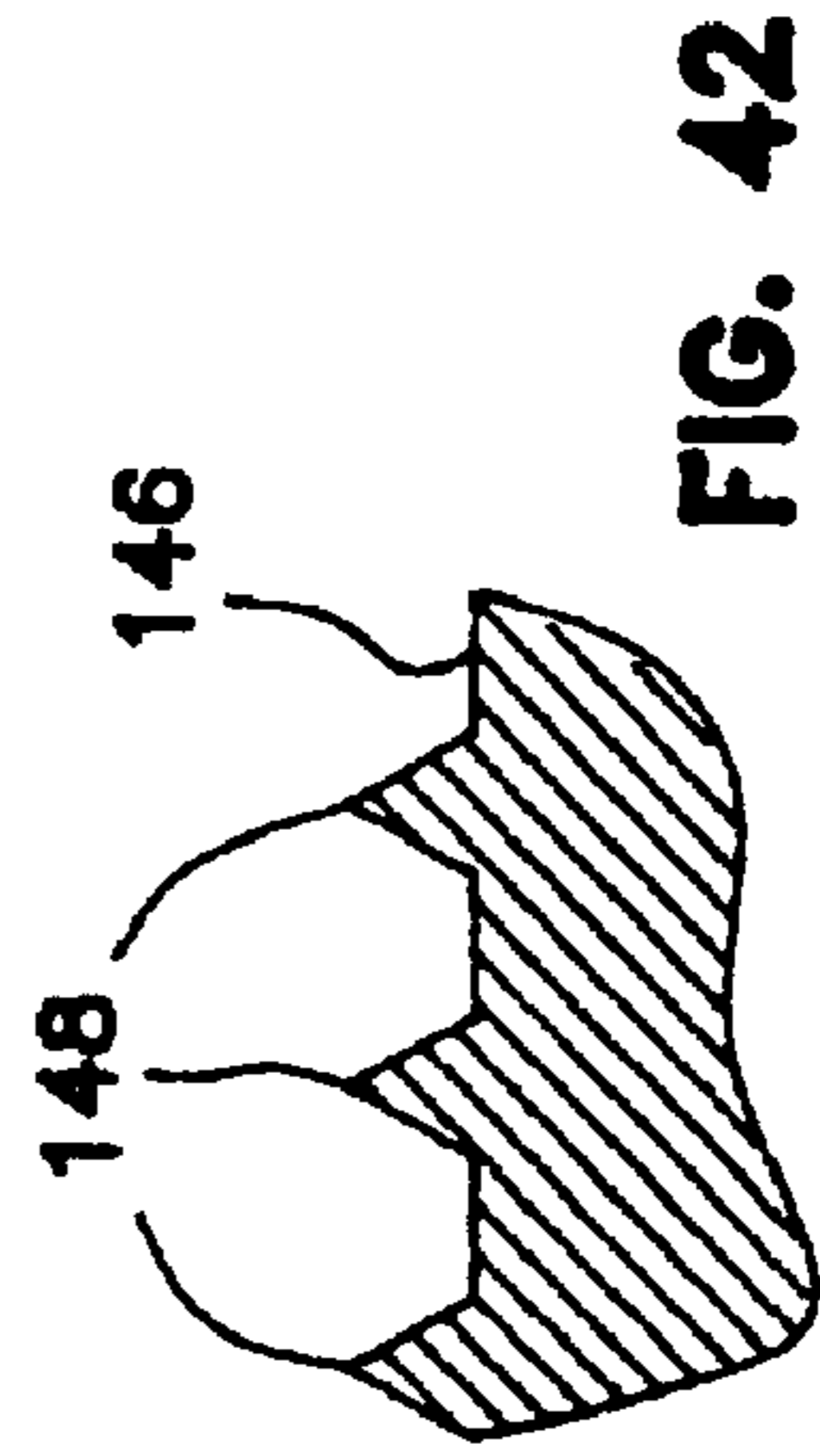
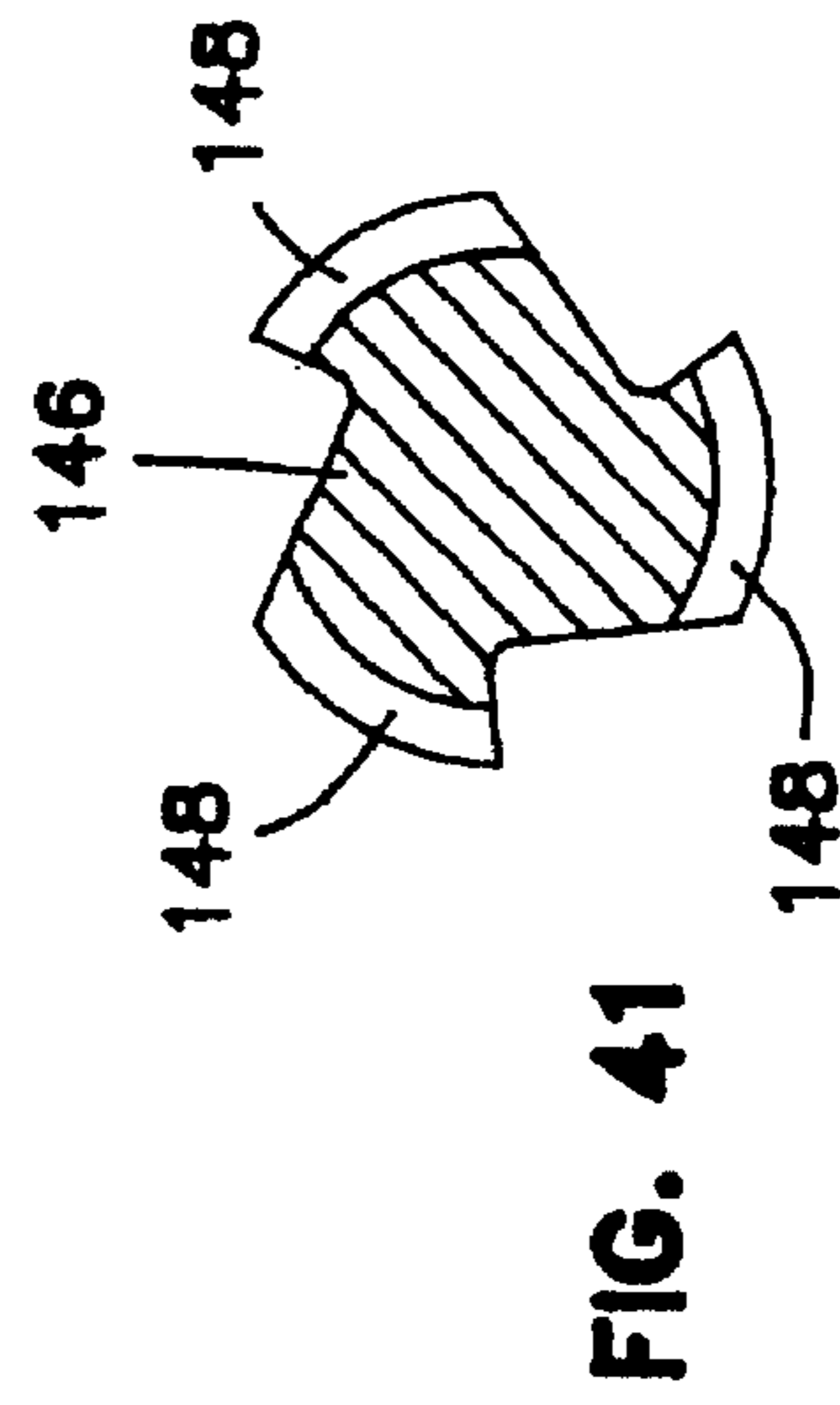
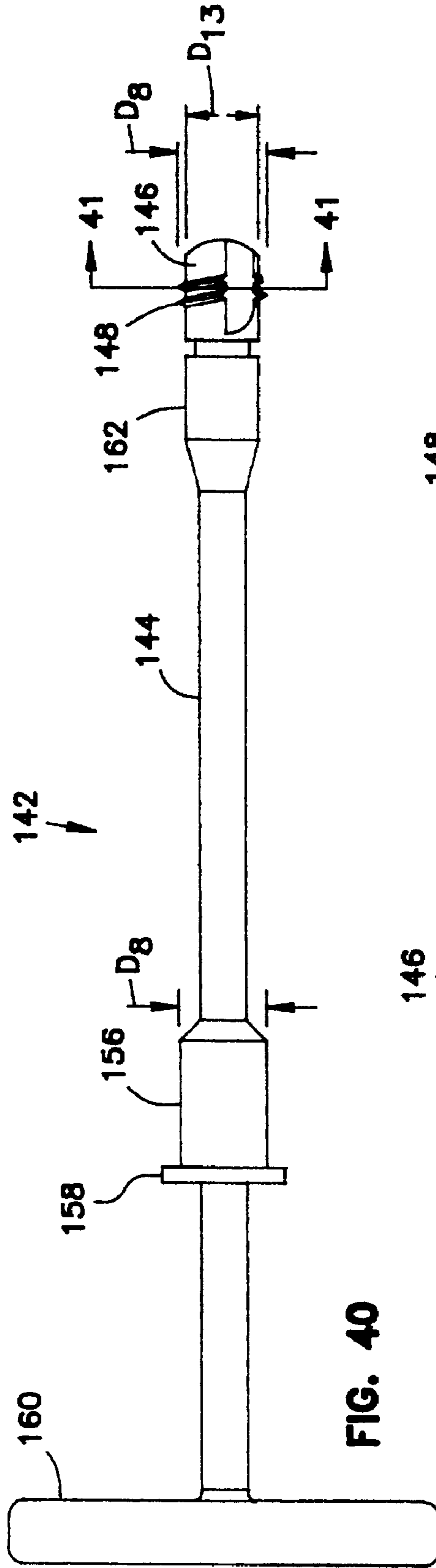
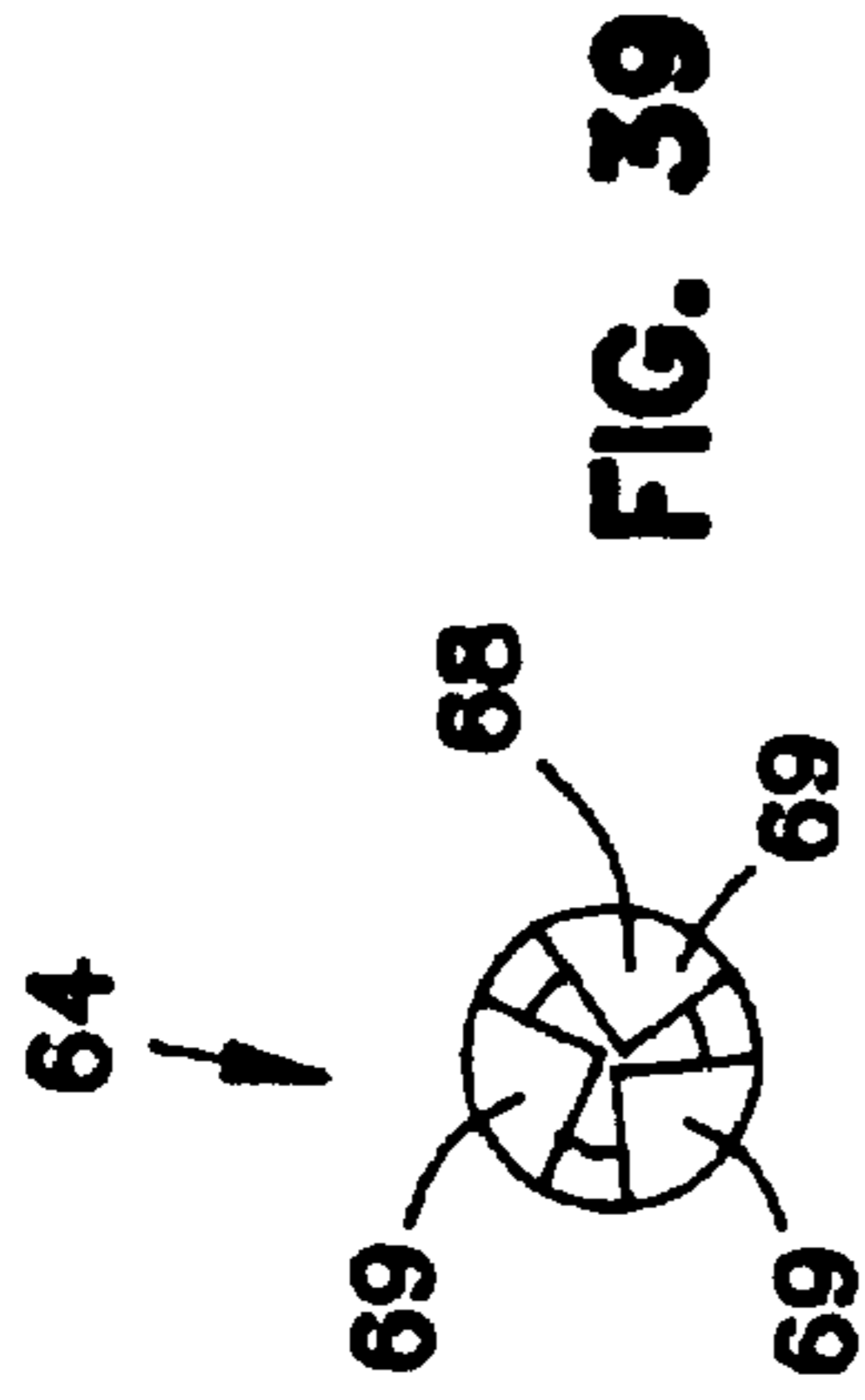
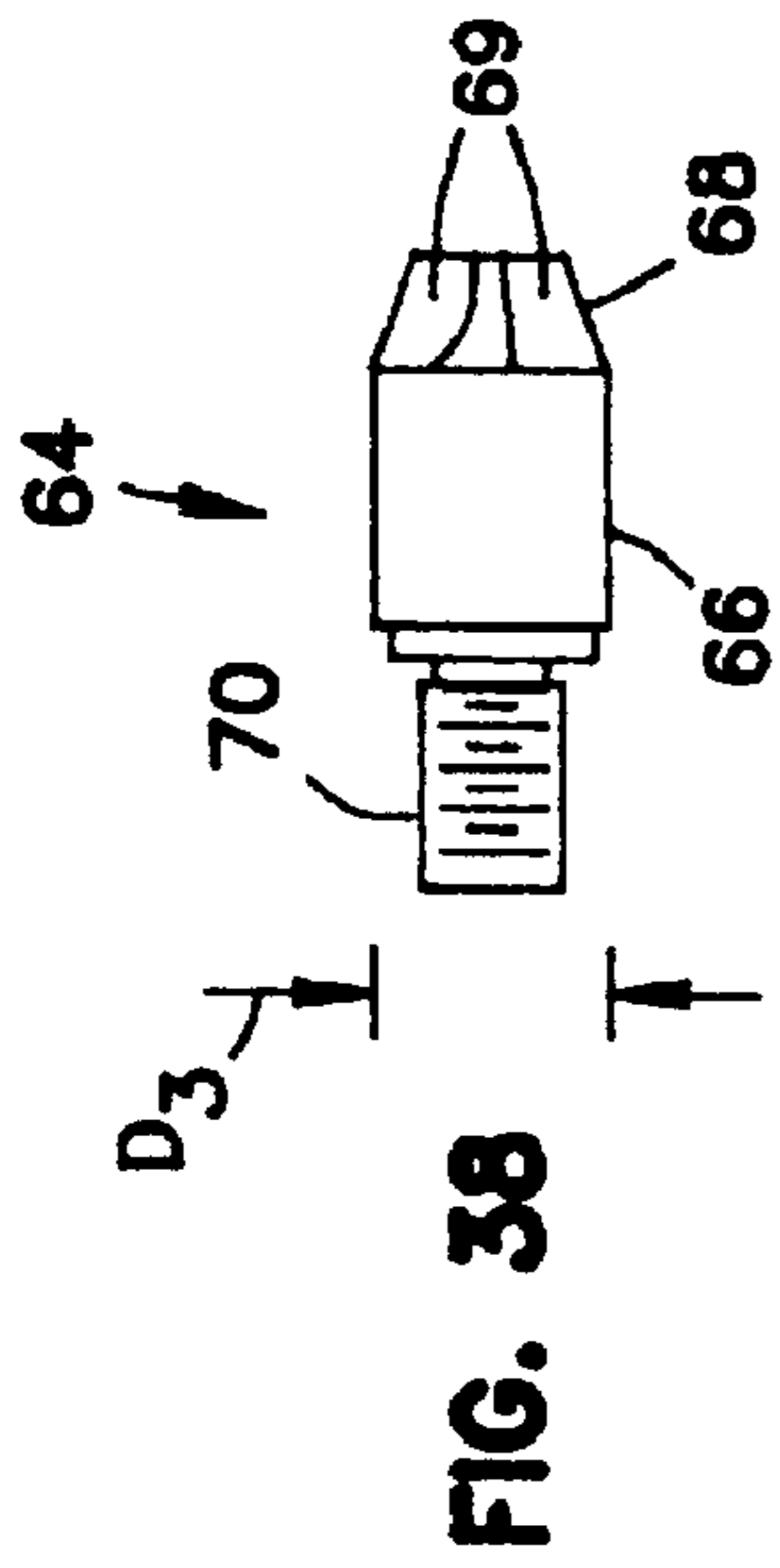


FIG. 37



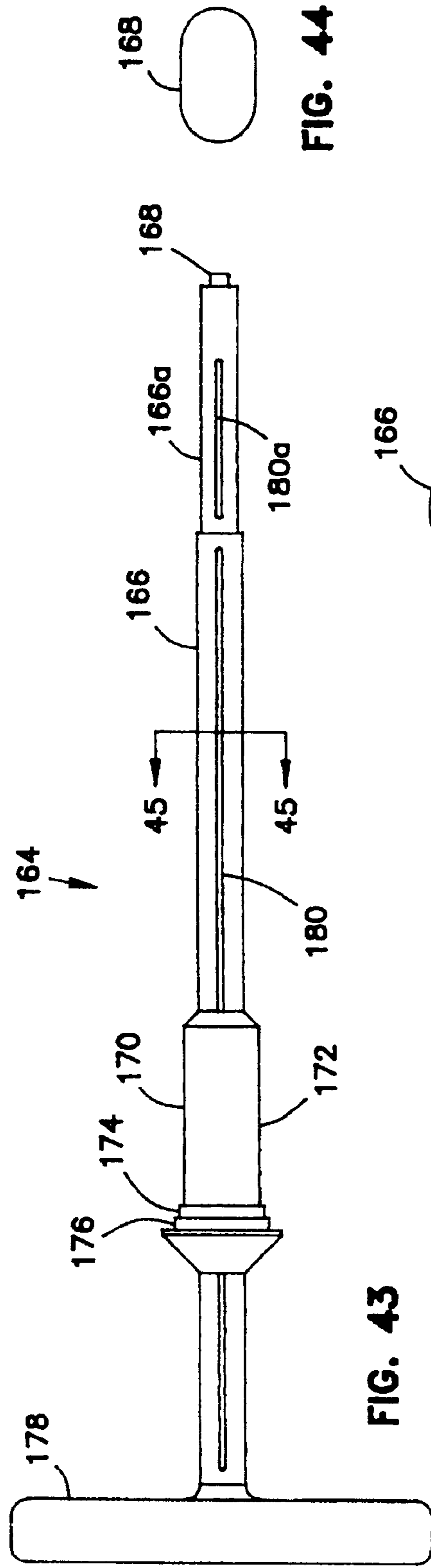


FIG. 43

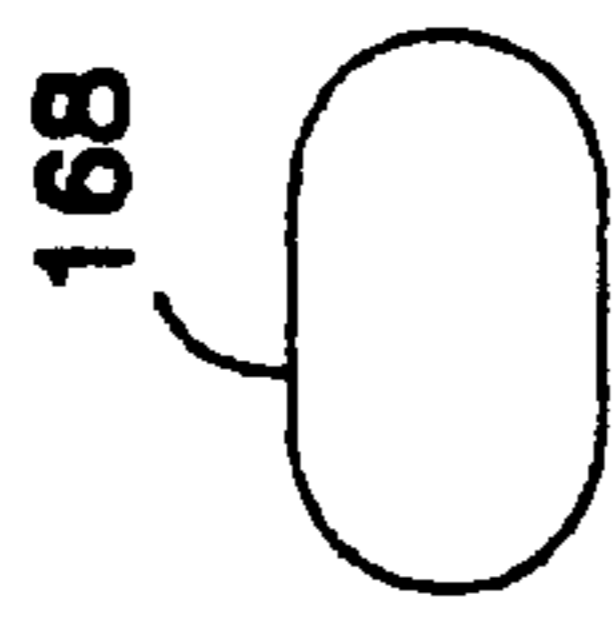


FIG. 44

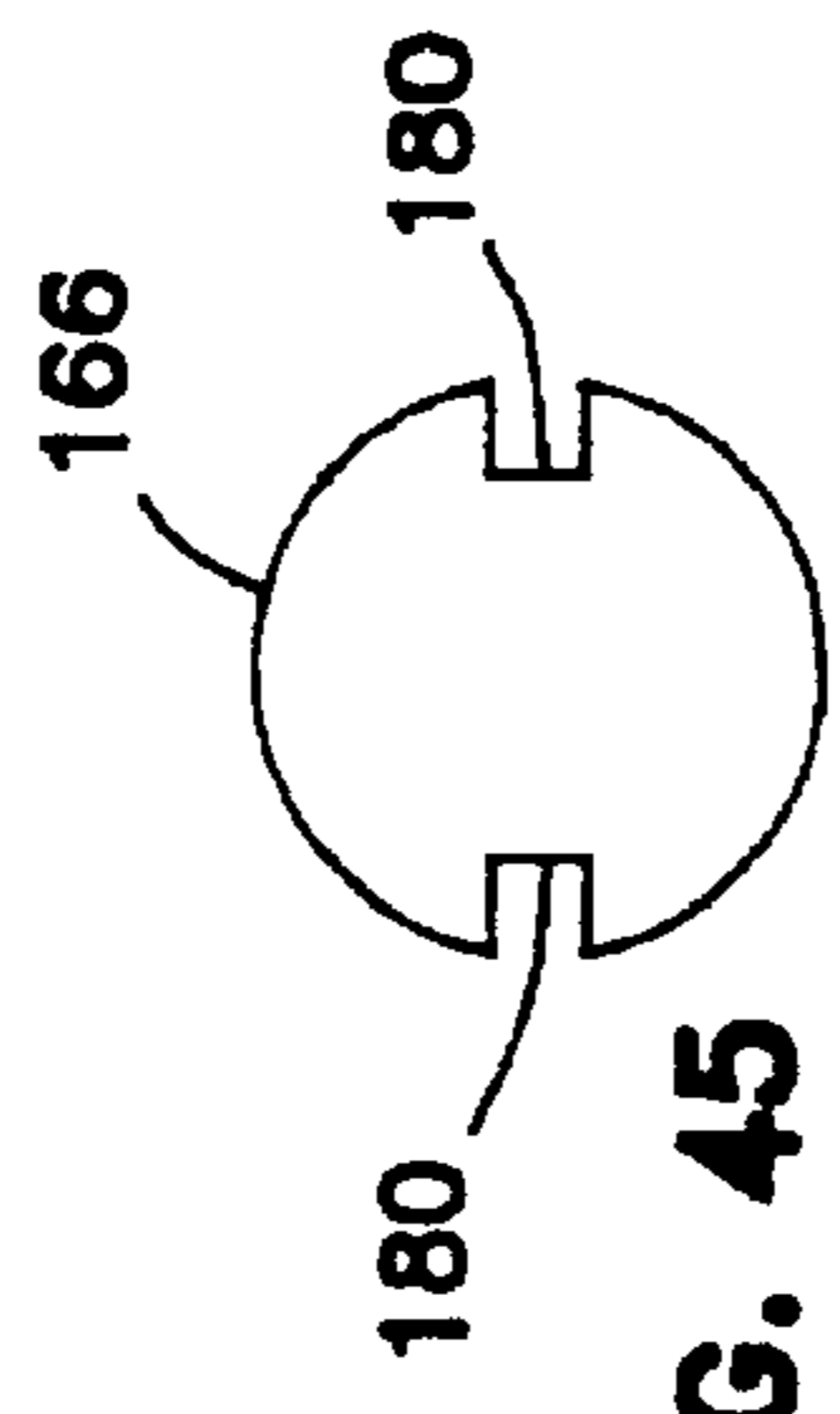


FIG. 45

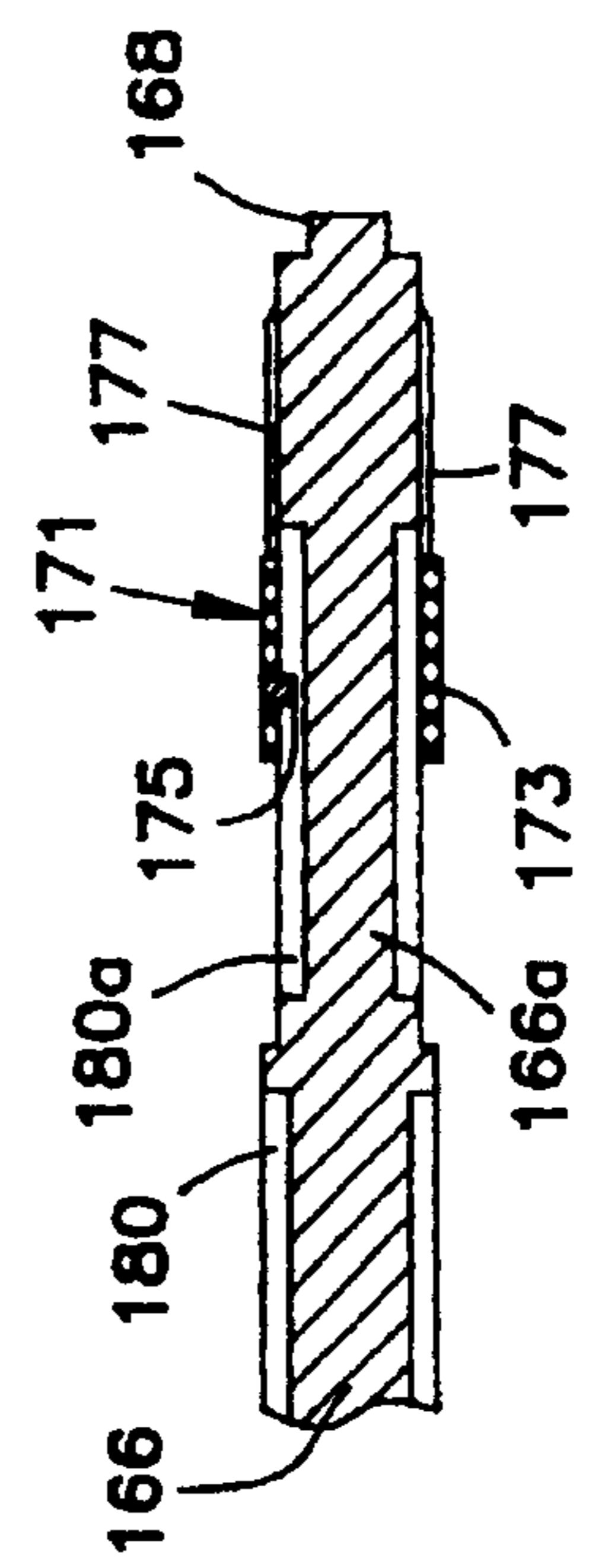


FIG. 45B

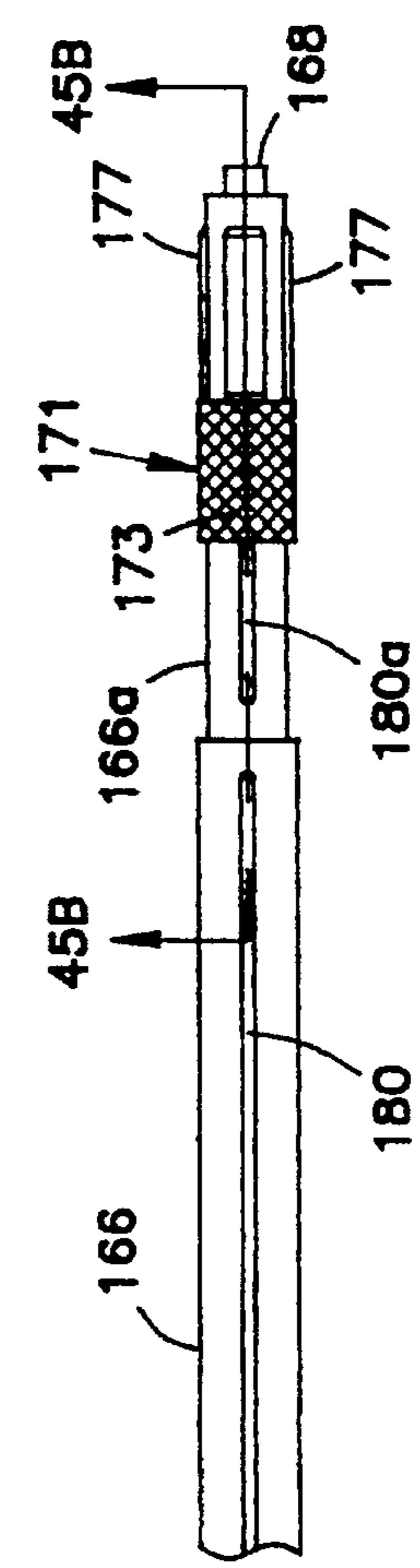


FIG. 45A

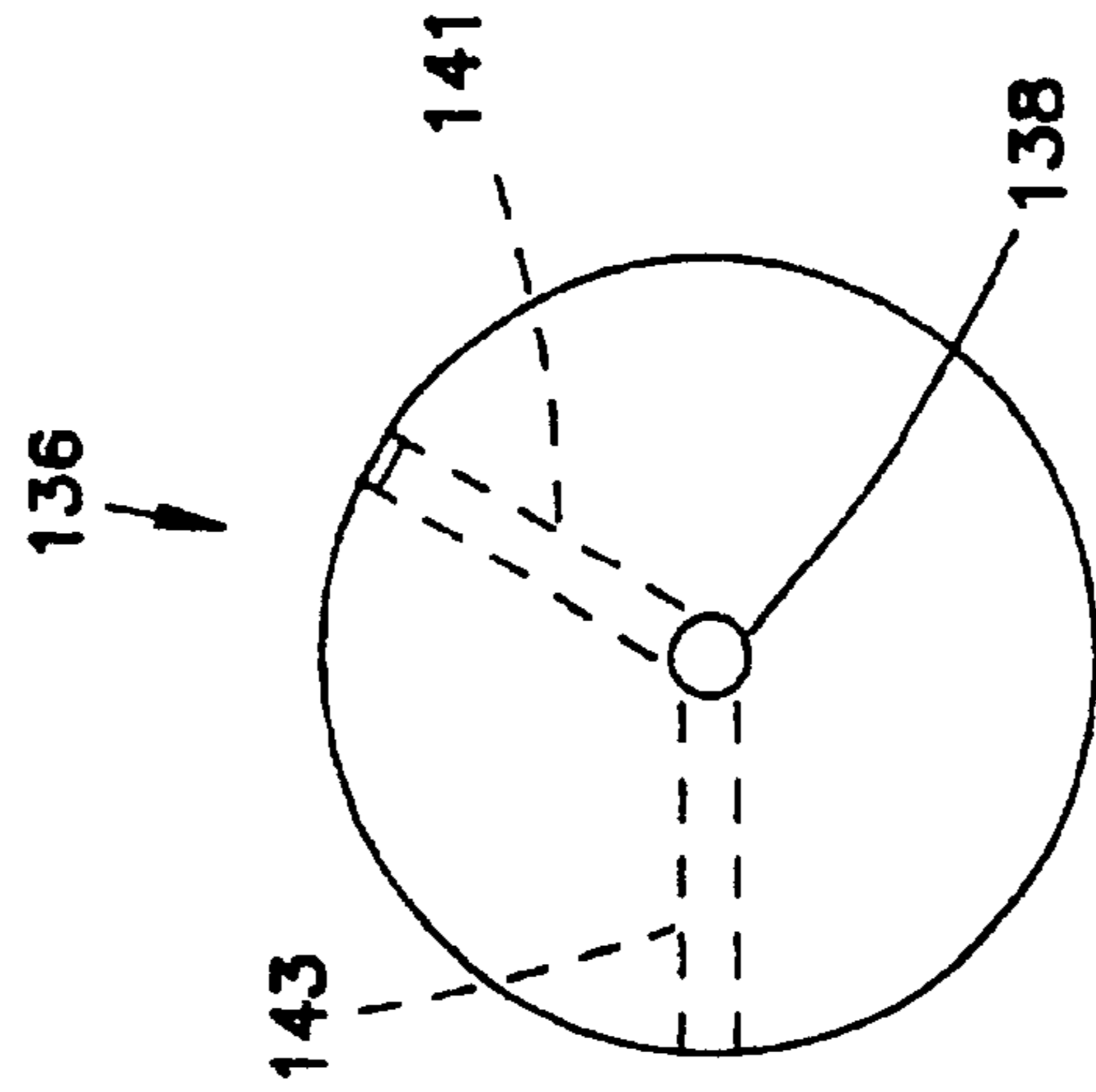


FIG. 47

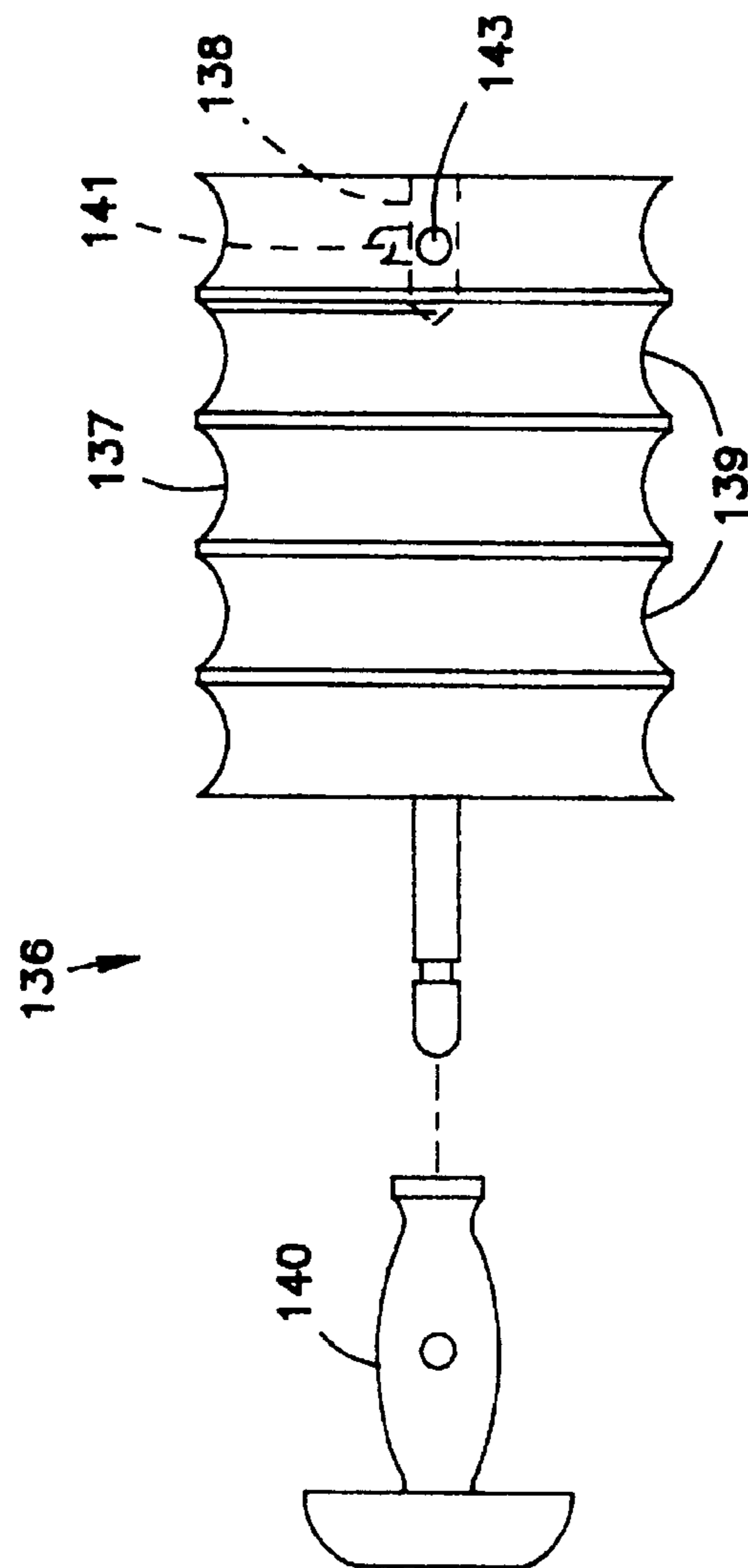


FIG. 46



FIG. 48

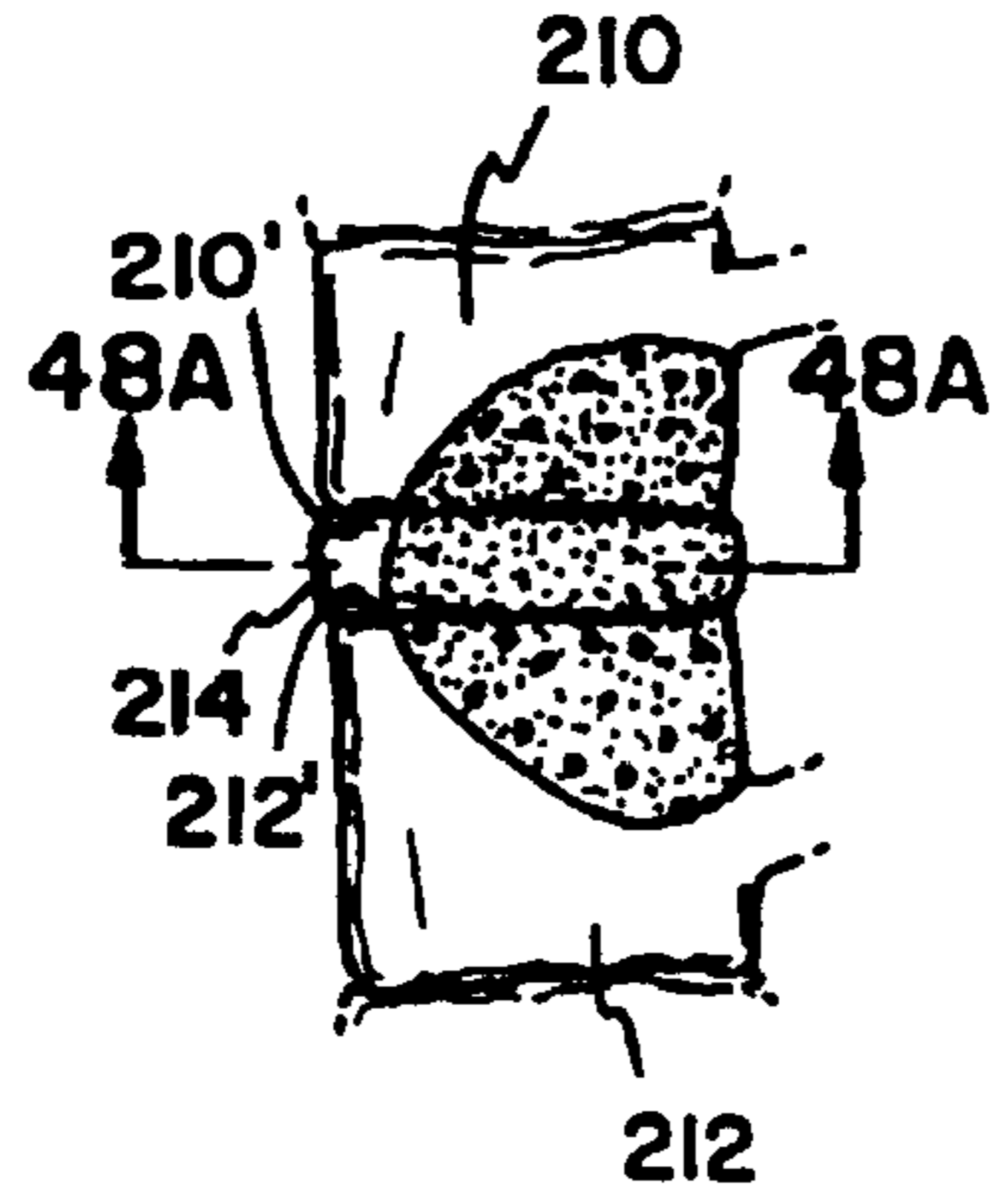


FIG. 48A

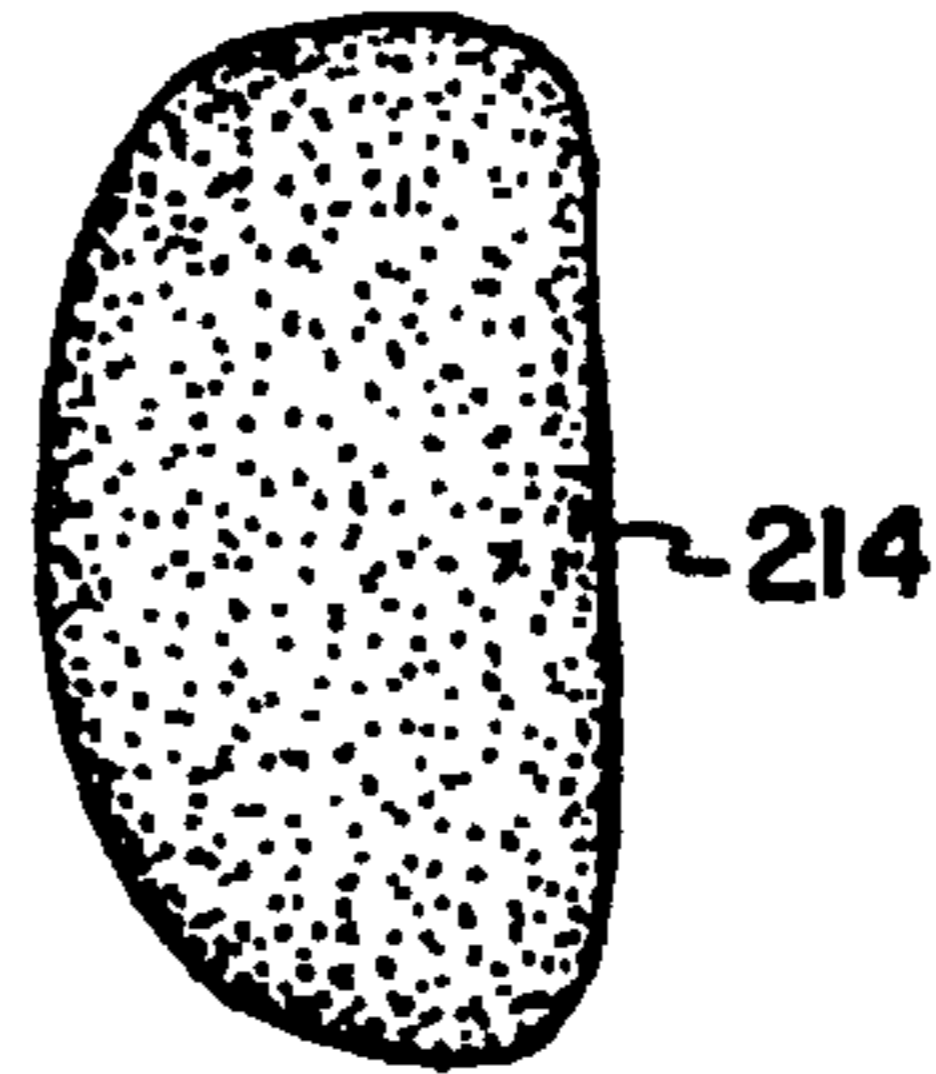


FIG. 49

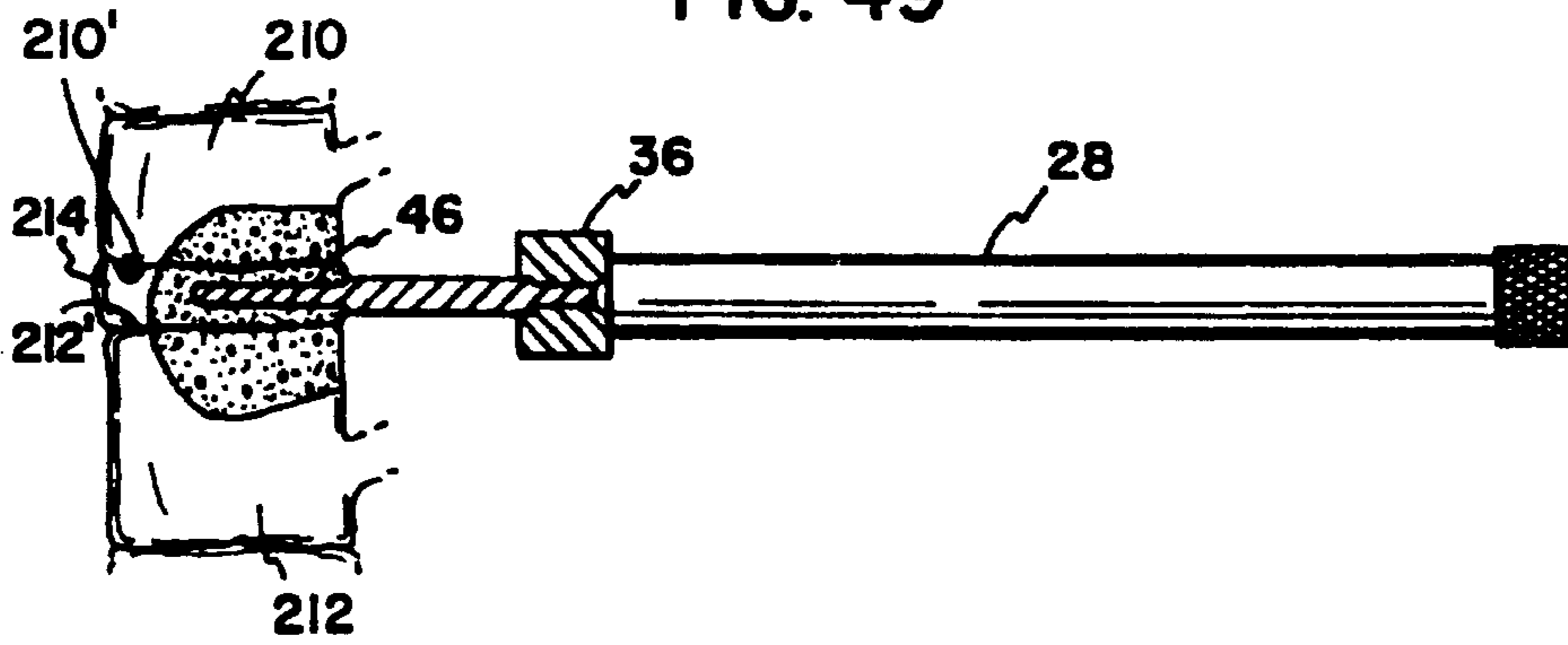


FIG. 49A

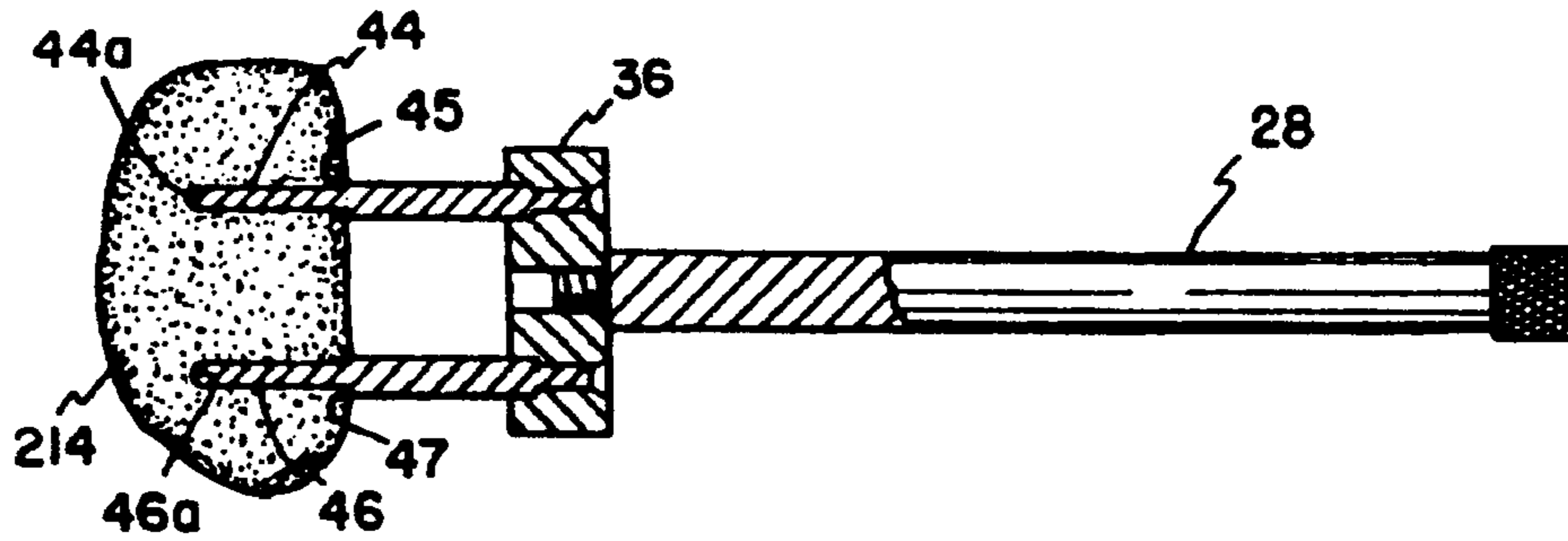
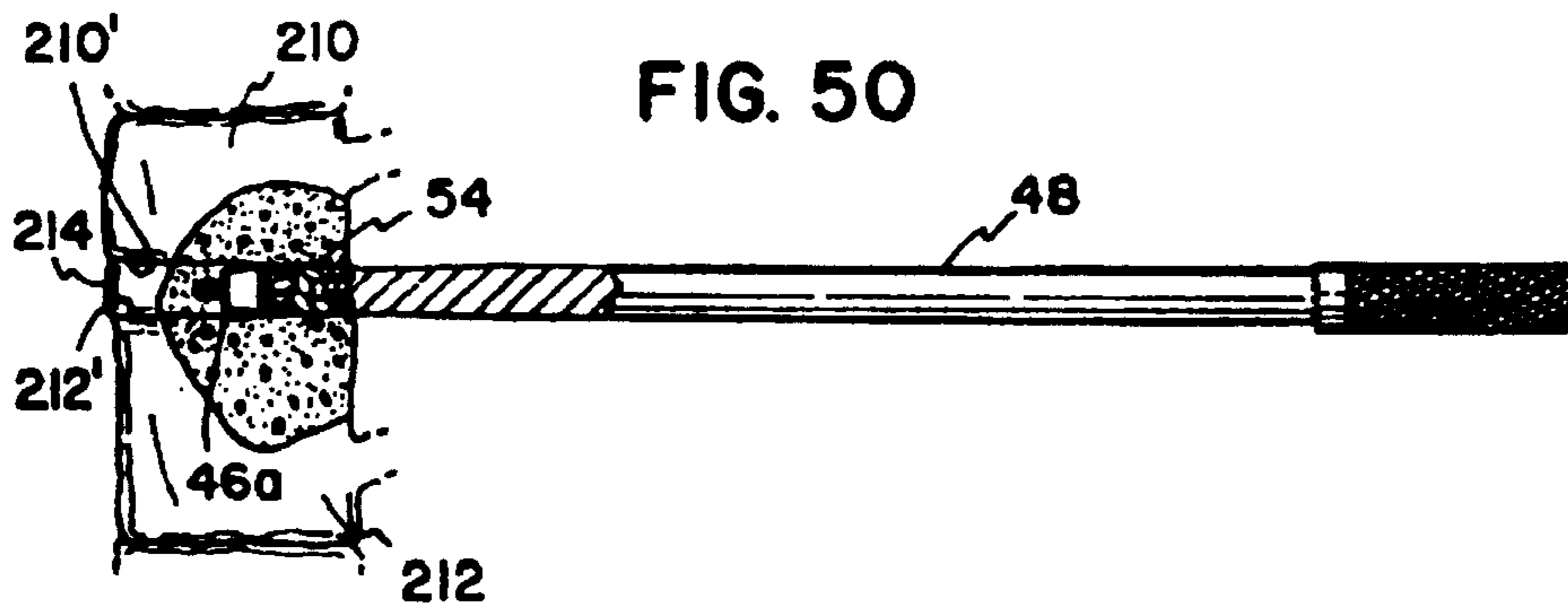


FIG. 50



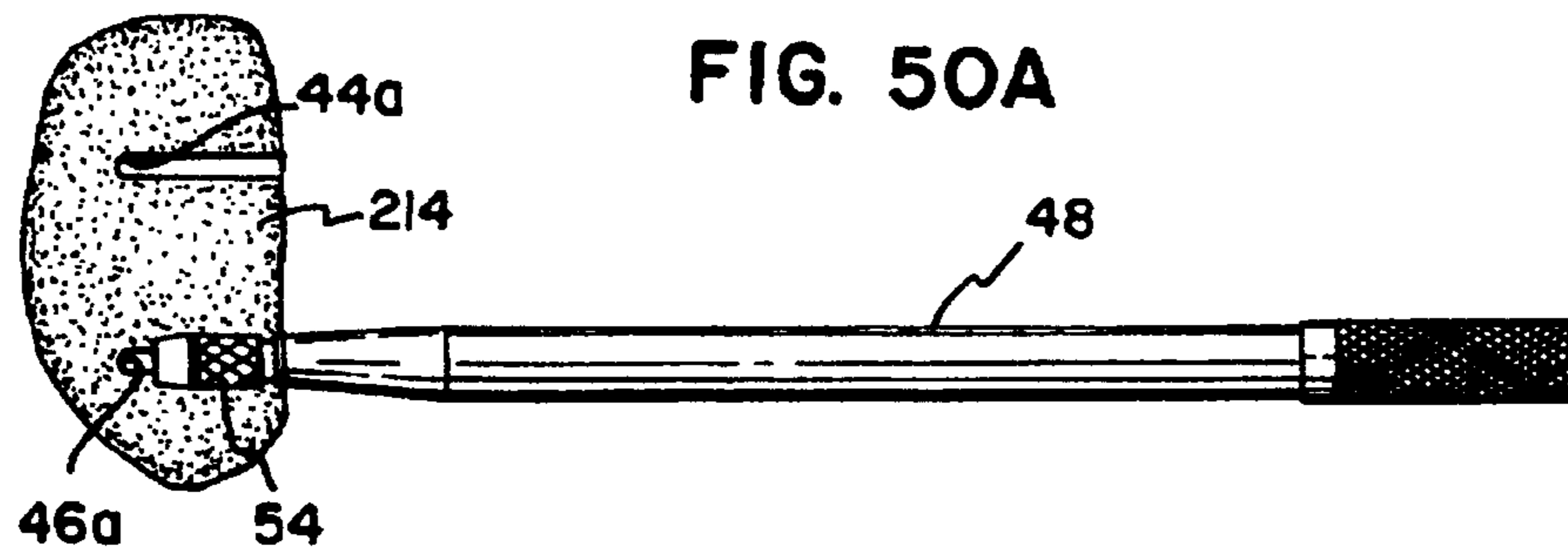


FIG. 51

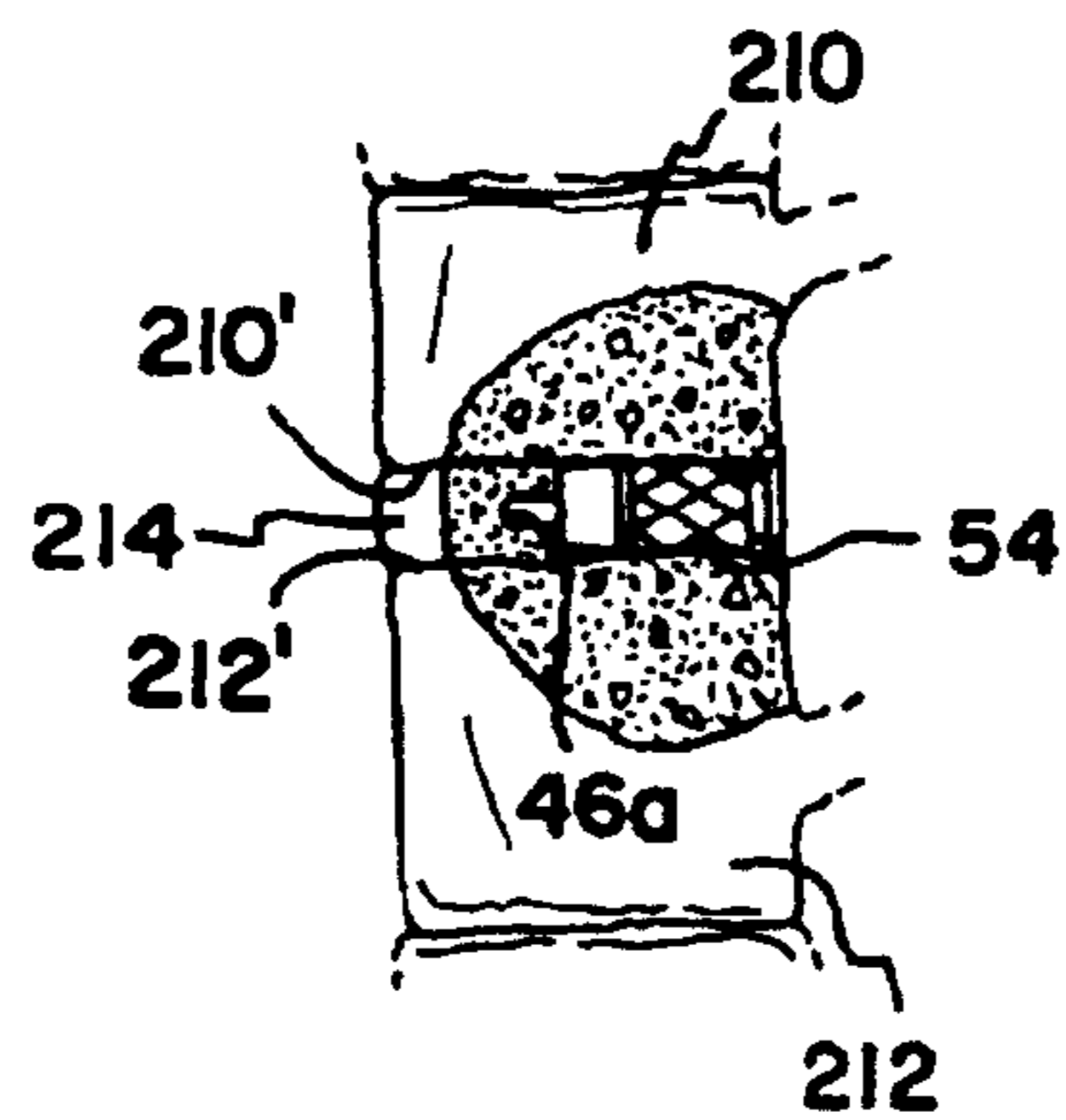


FIG. 51A

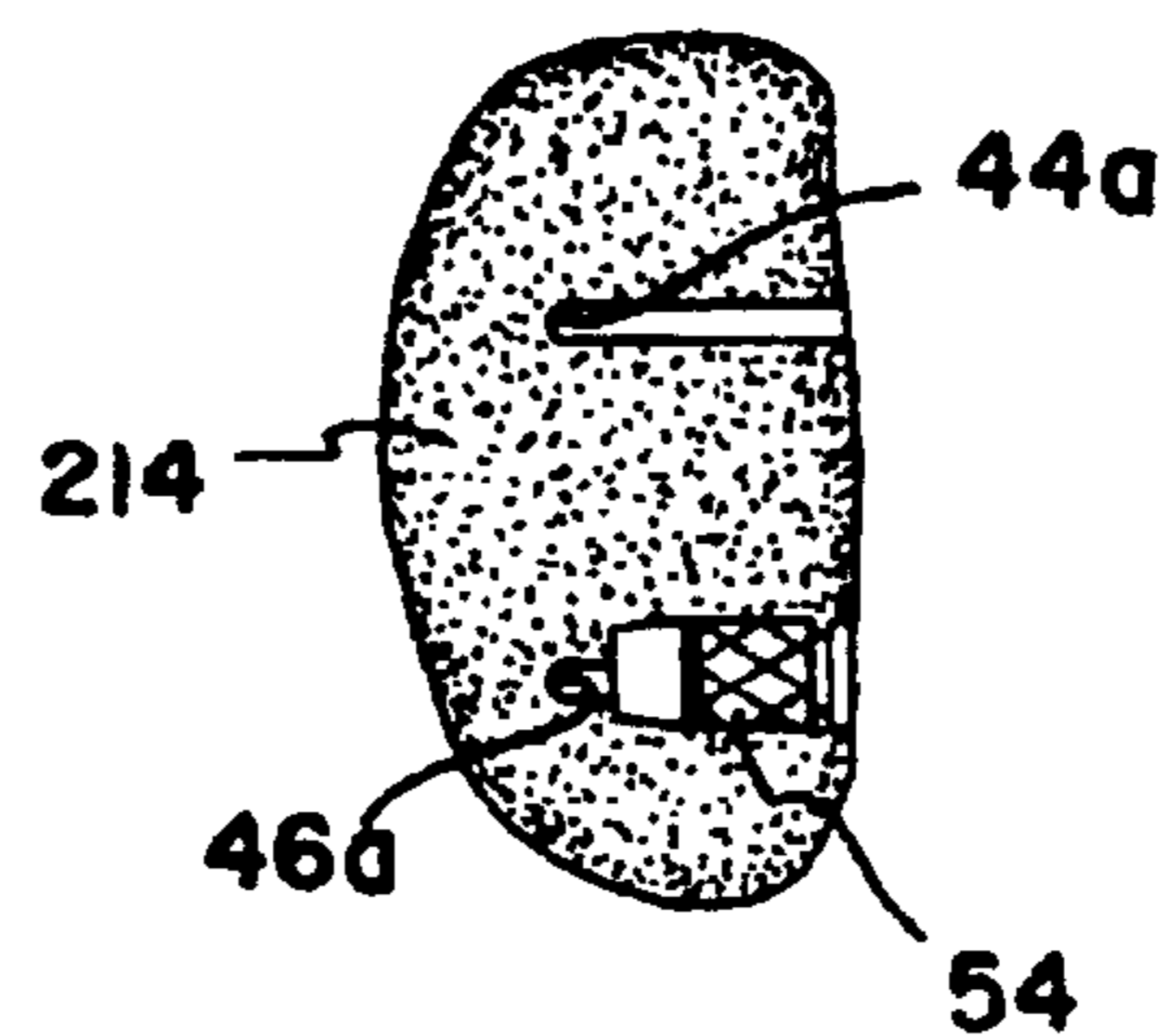


FIG. 52

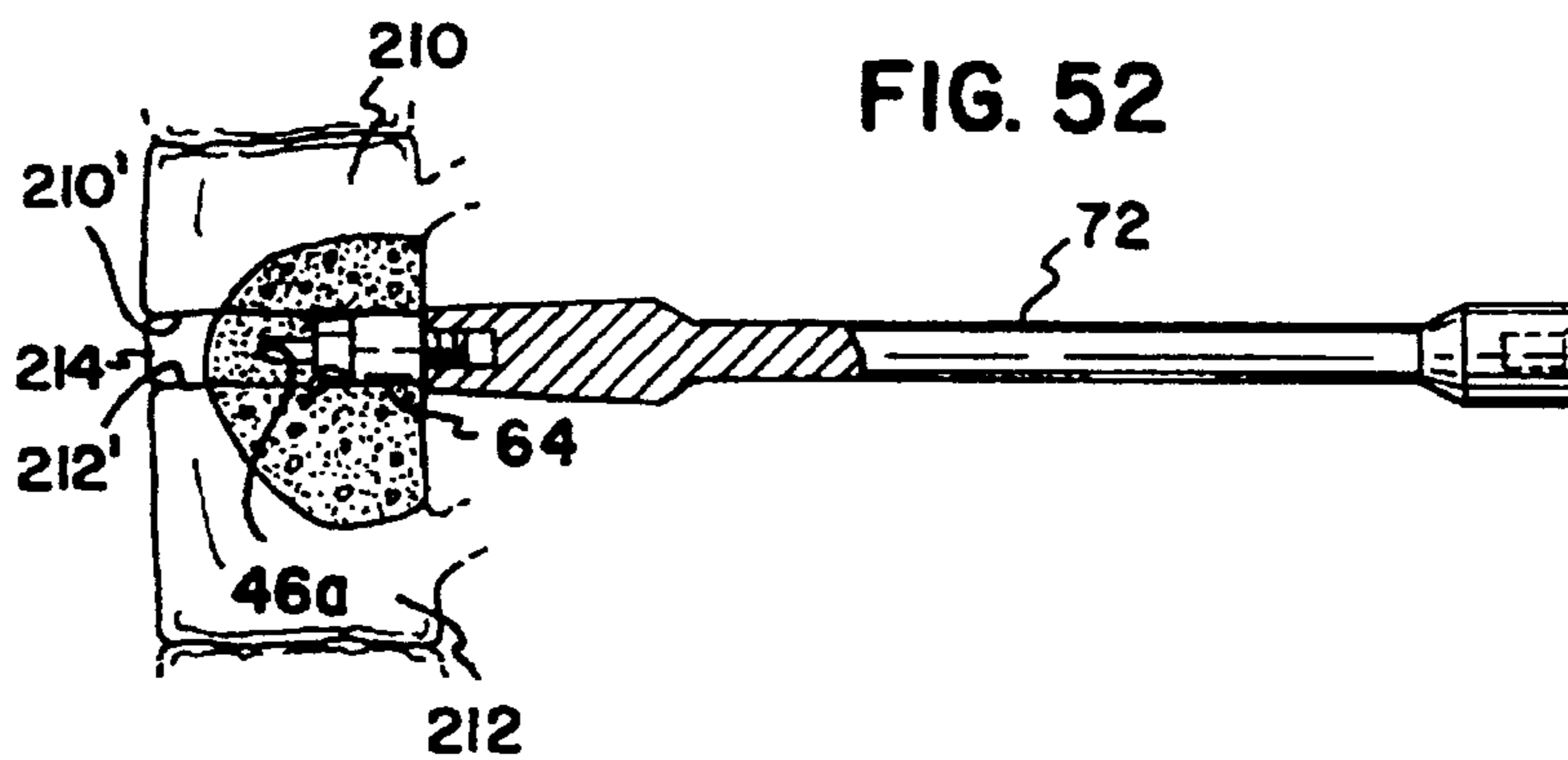
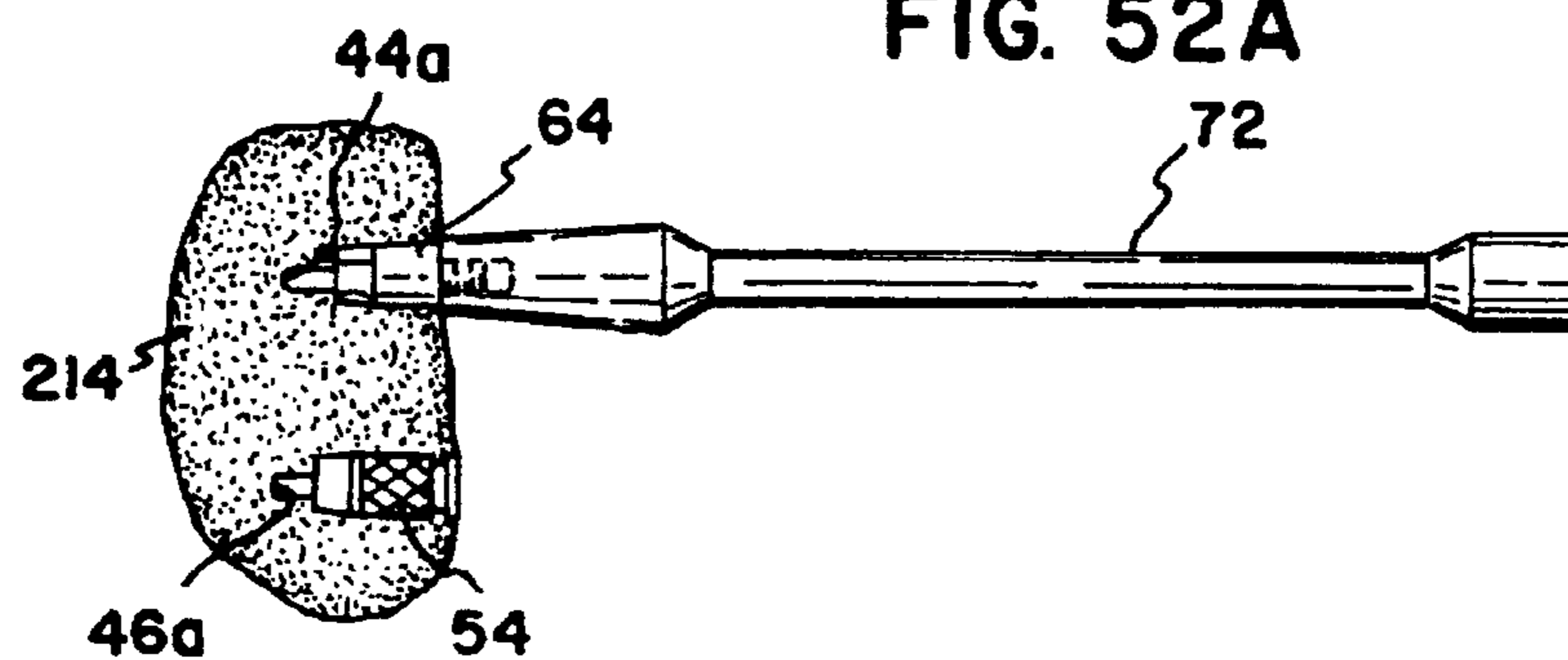


FIG. 52A



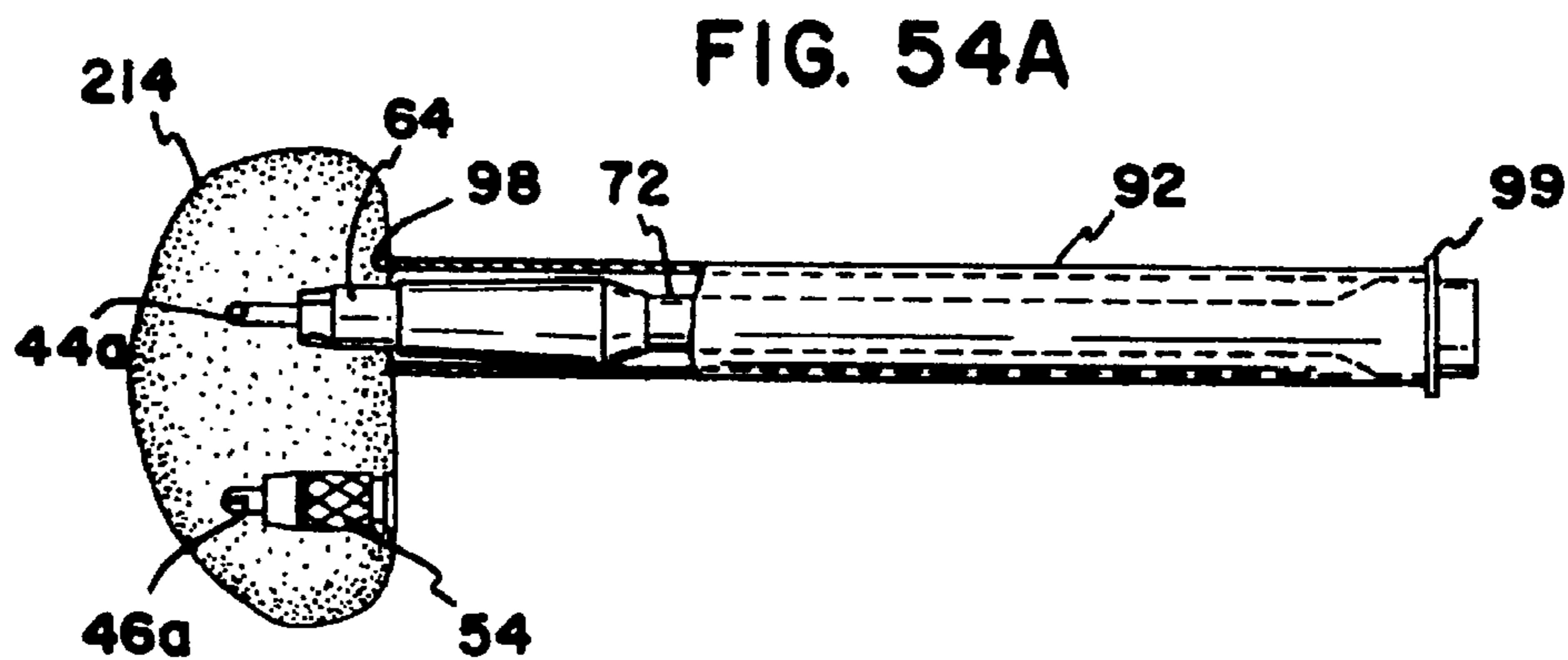
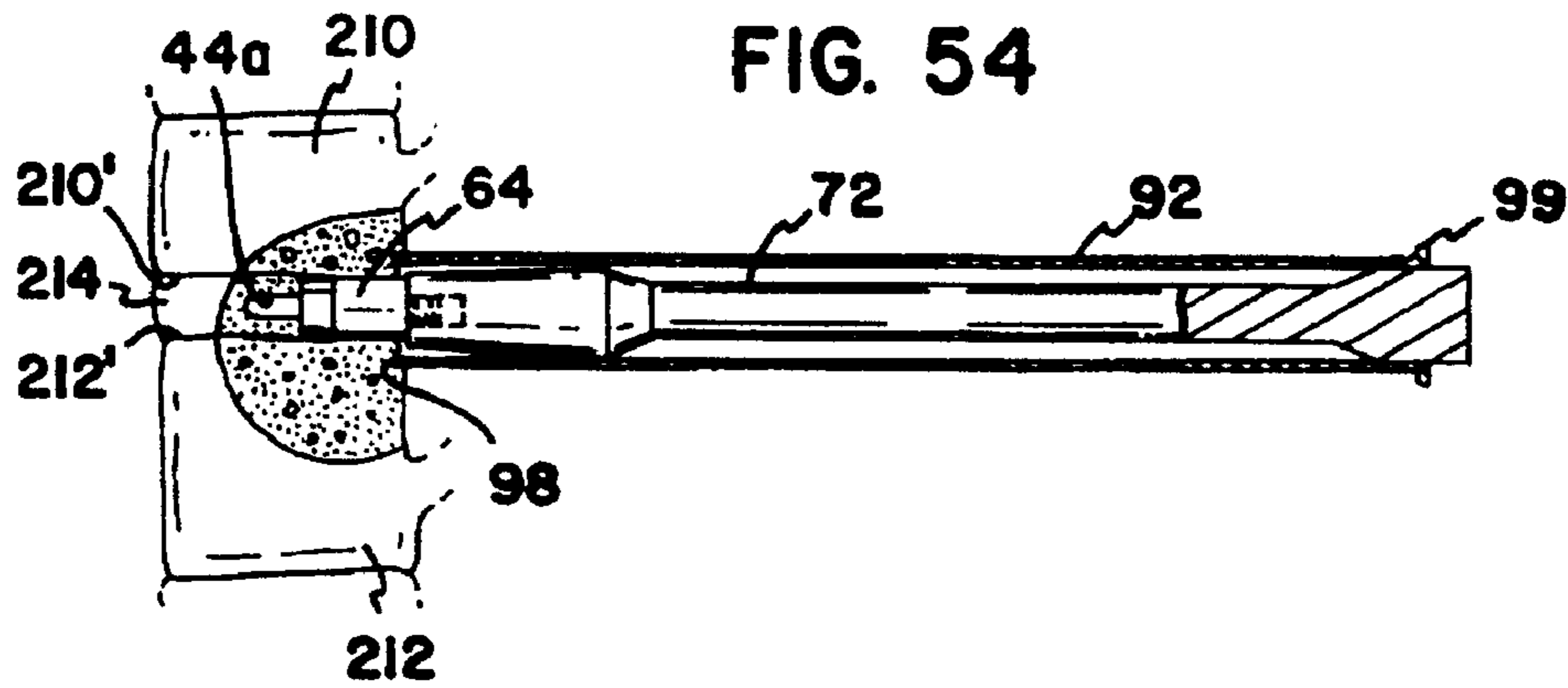
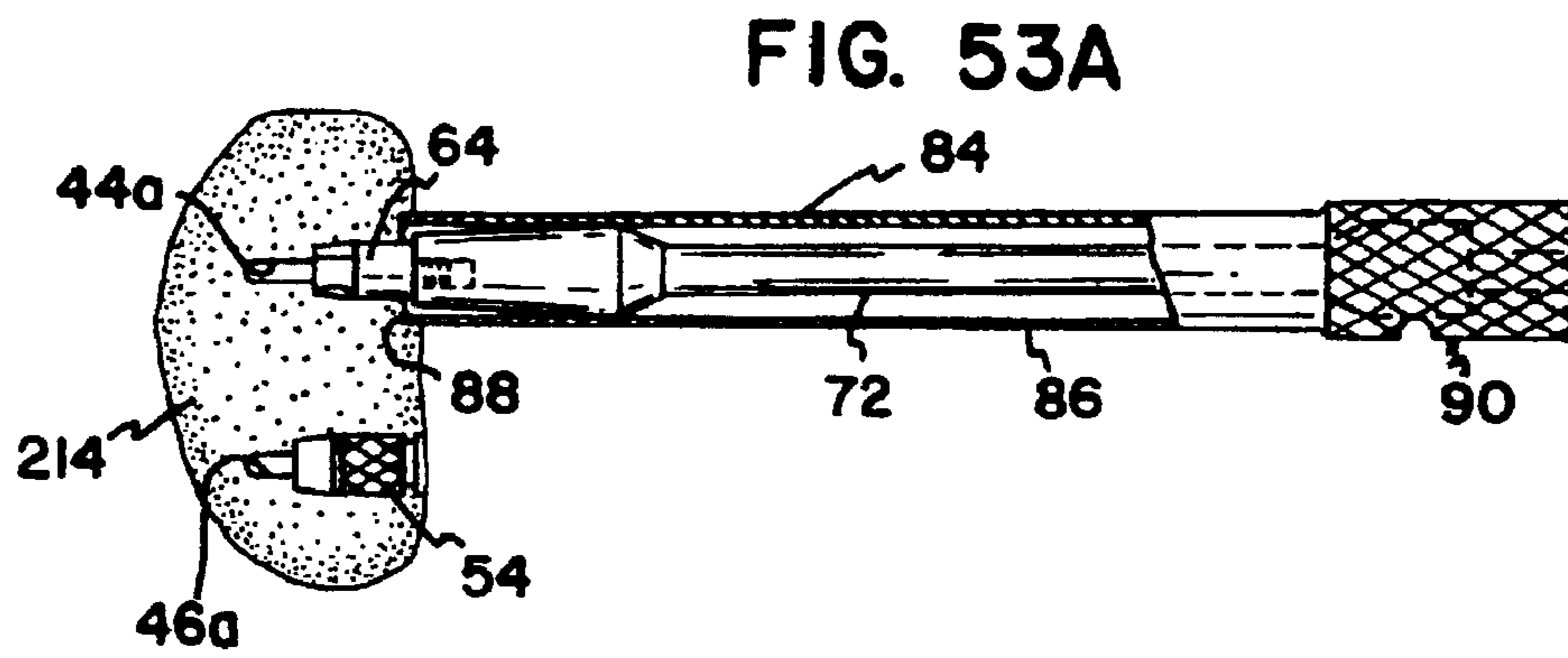
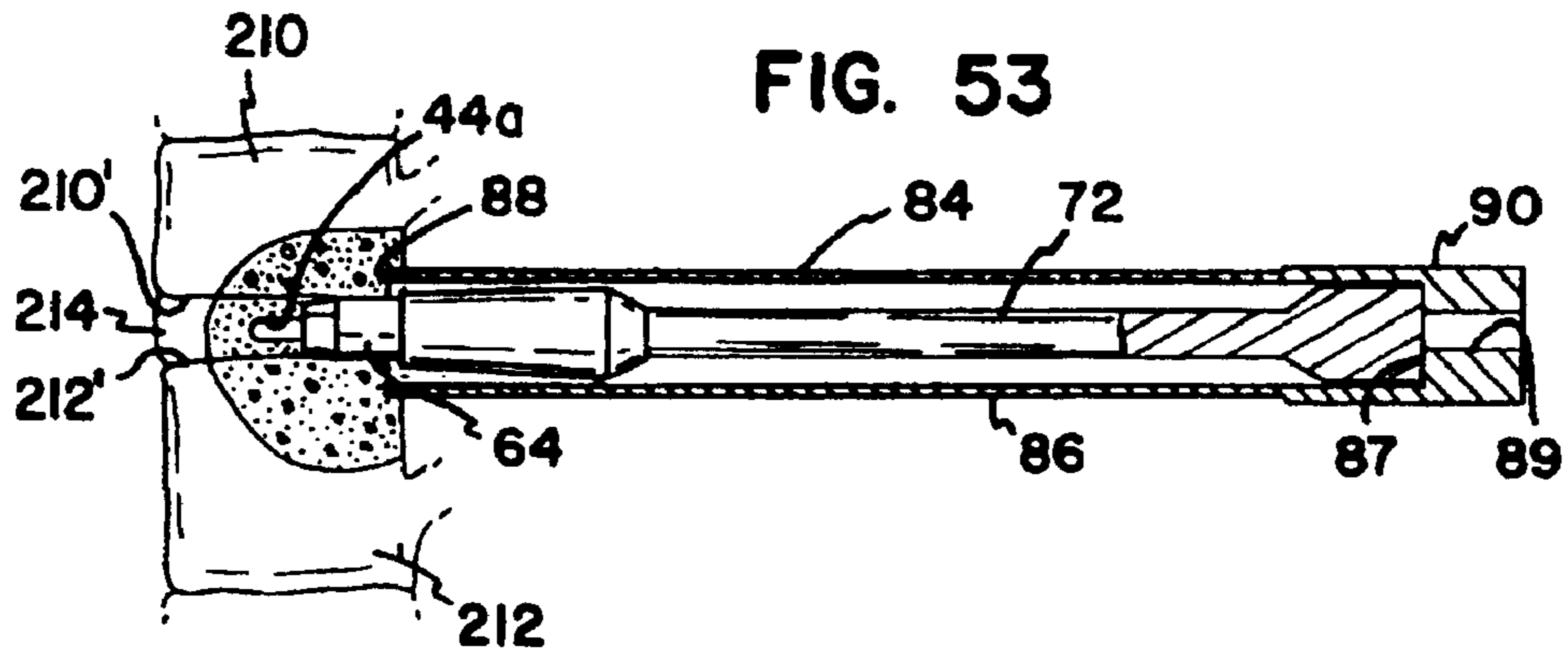


FIG. 55

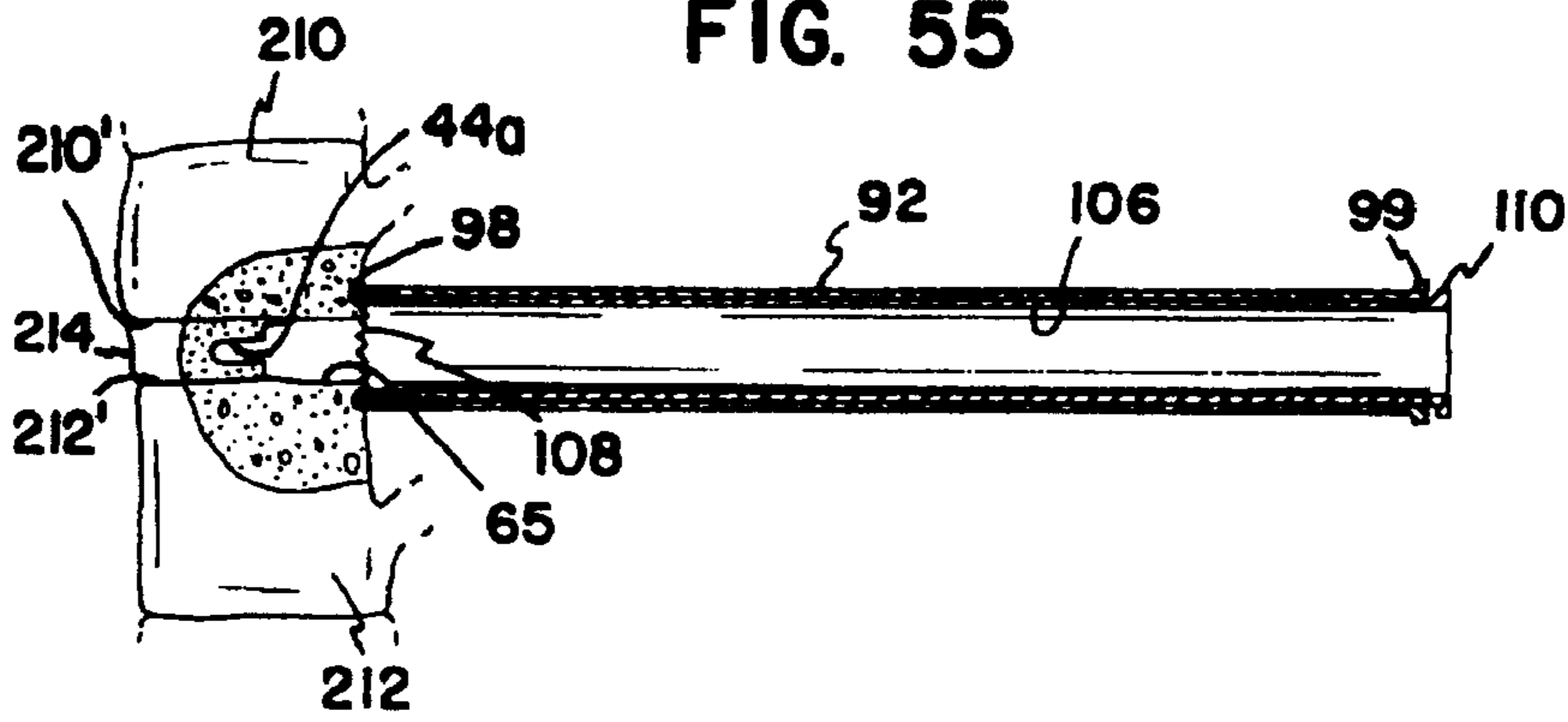


FIG. 55A

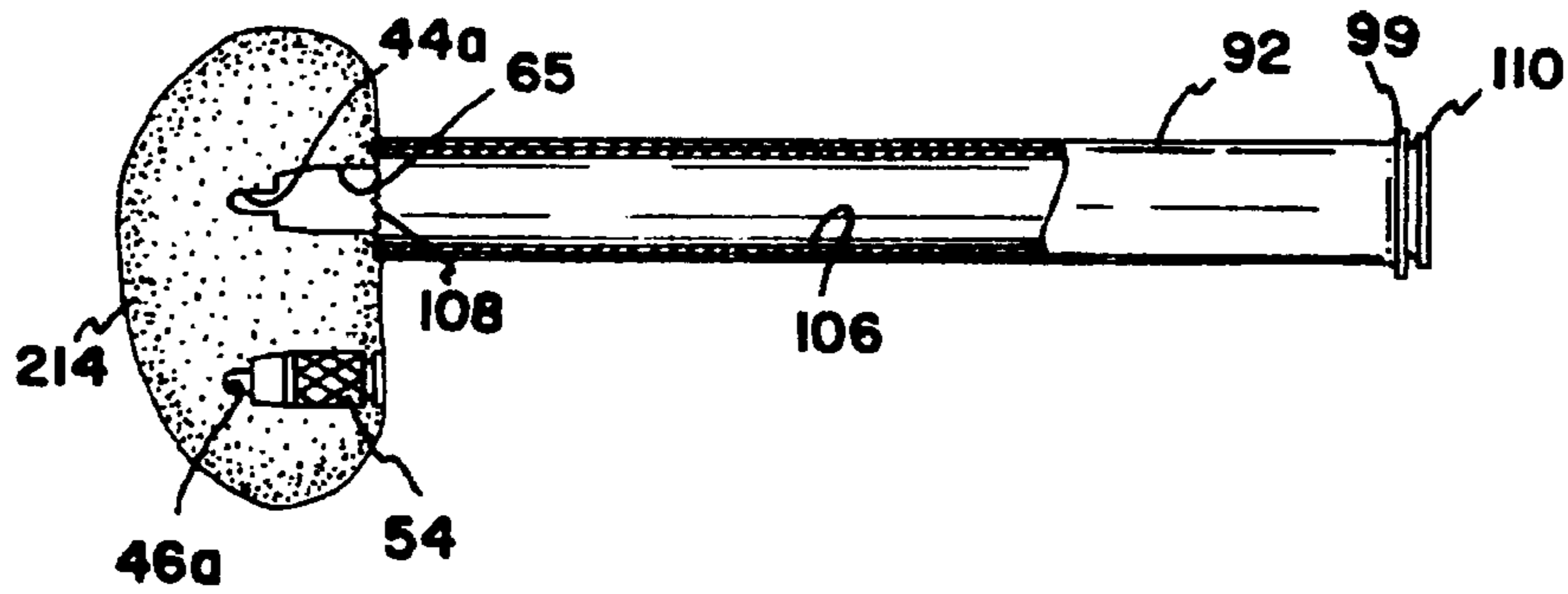


FIG. 56

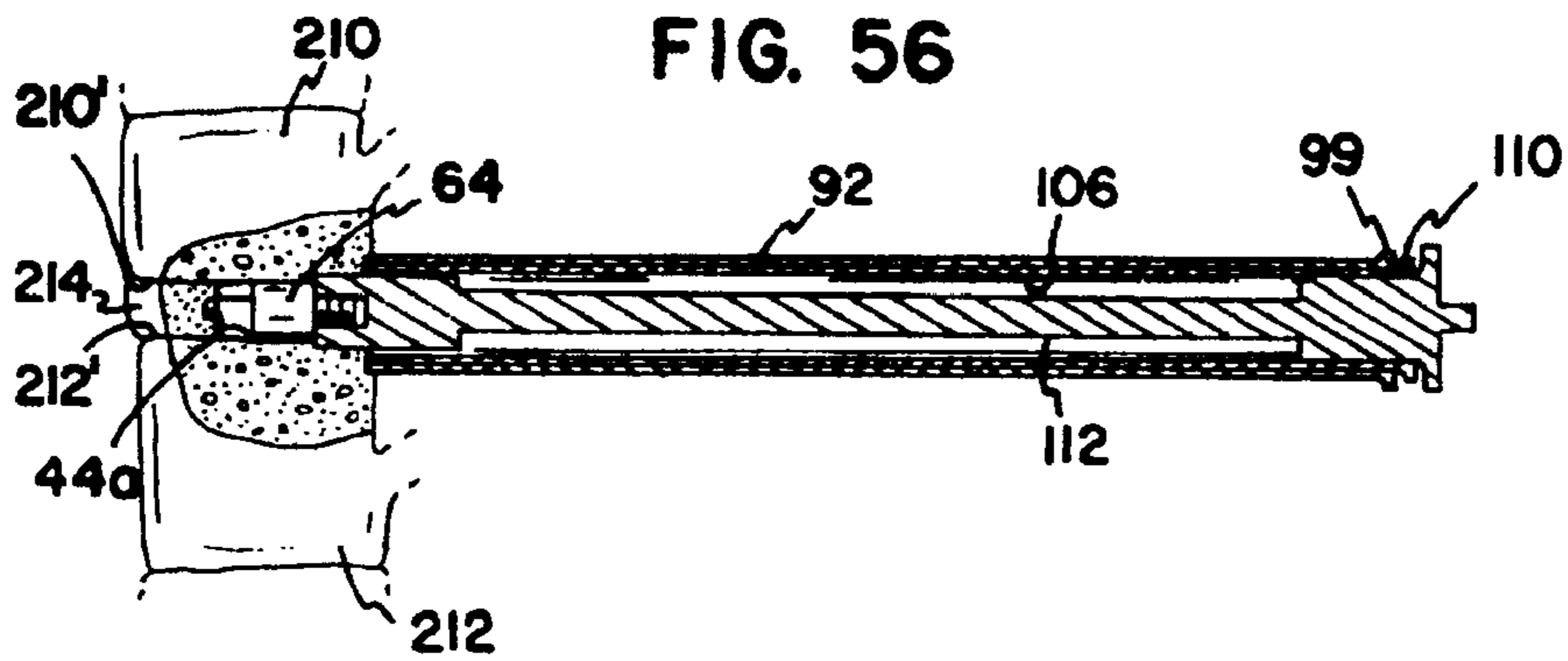


FIG. 56A

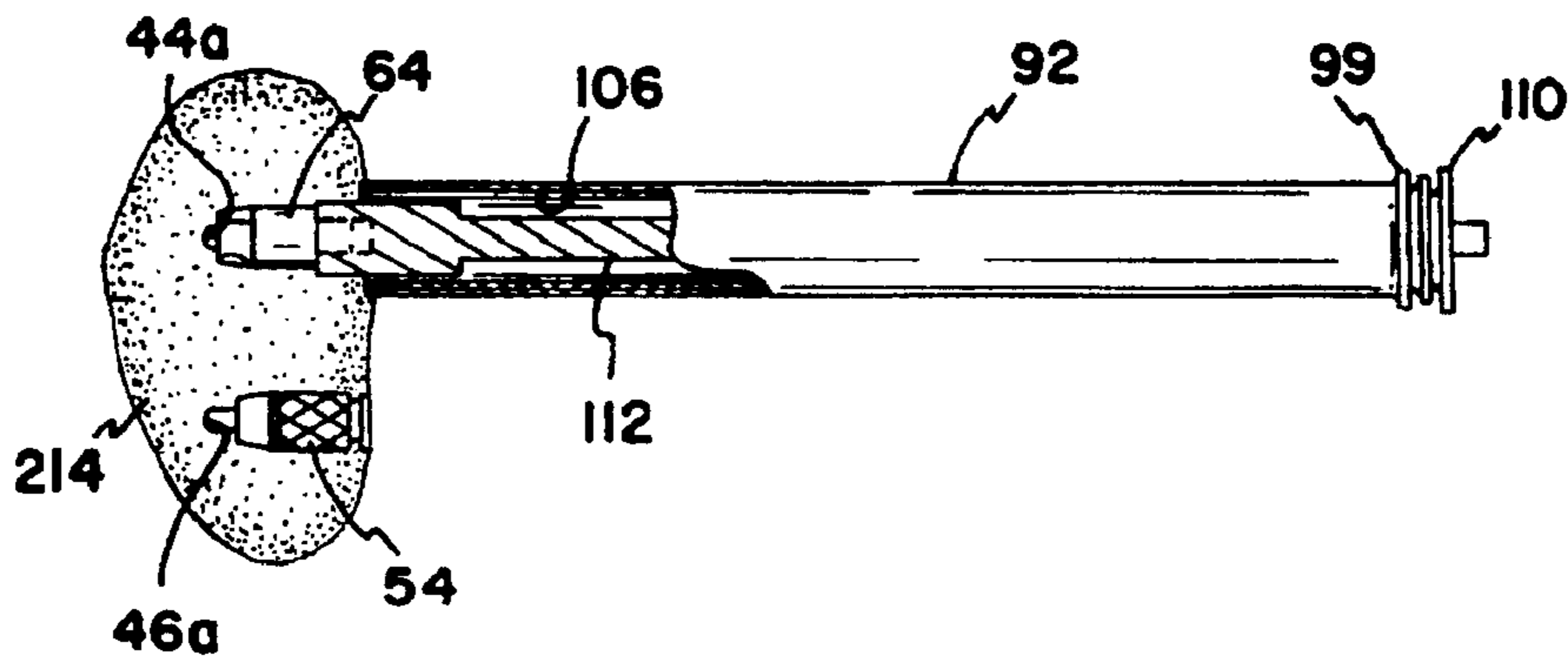




FIG. 57

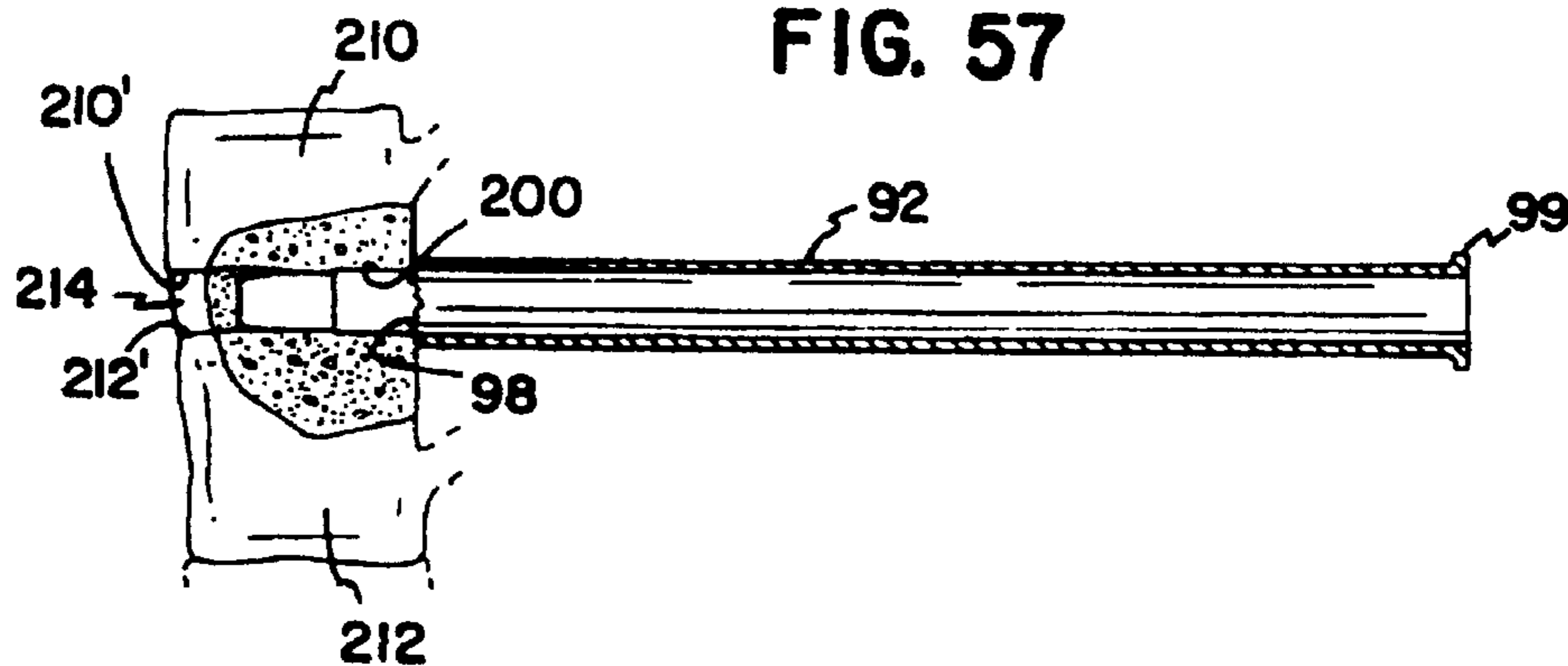


FIG. 57A

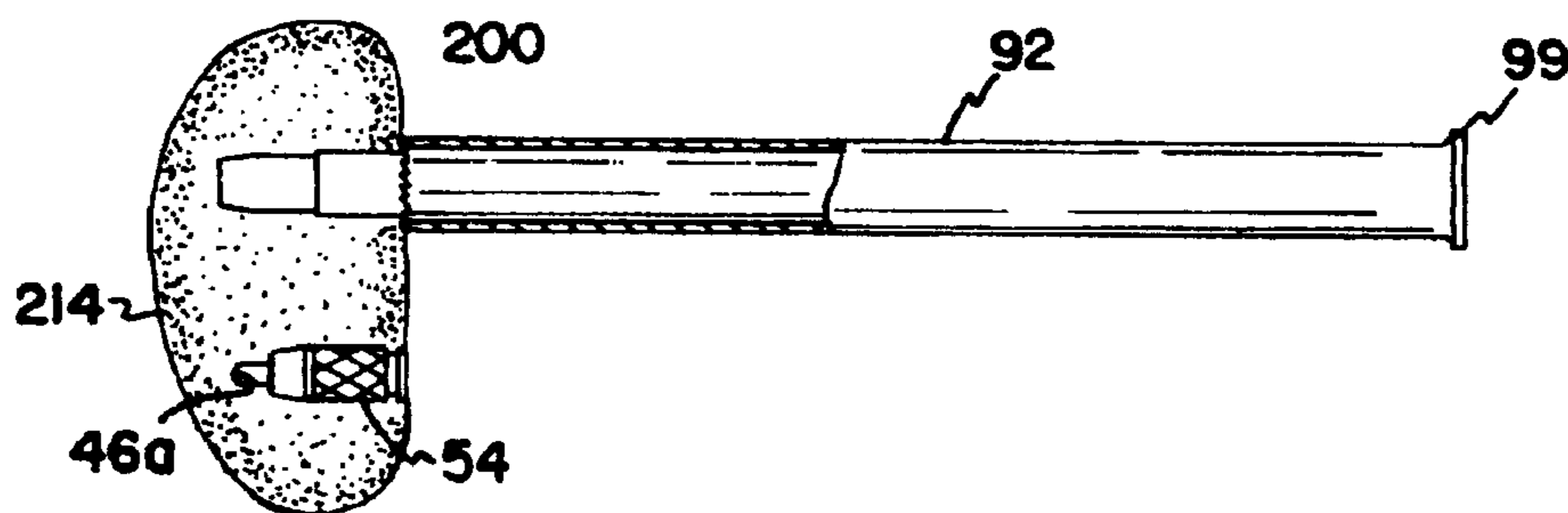


FIG. 58

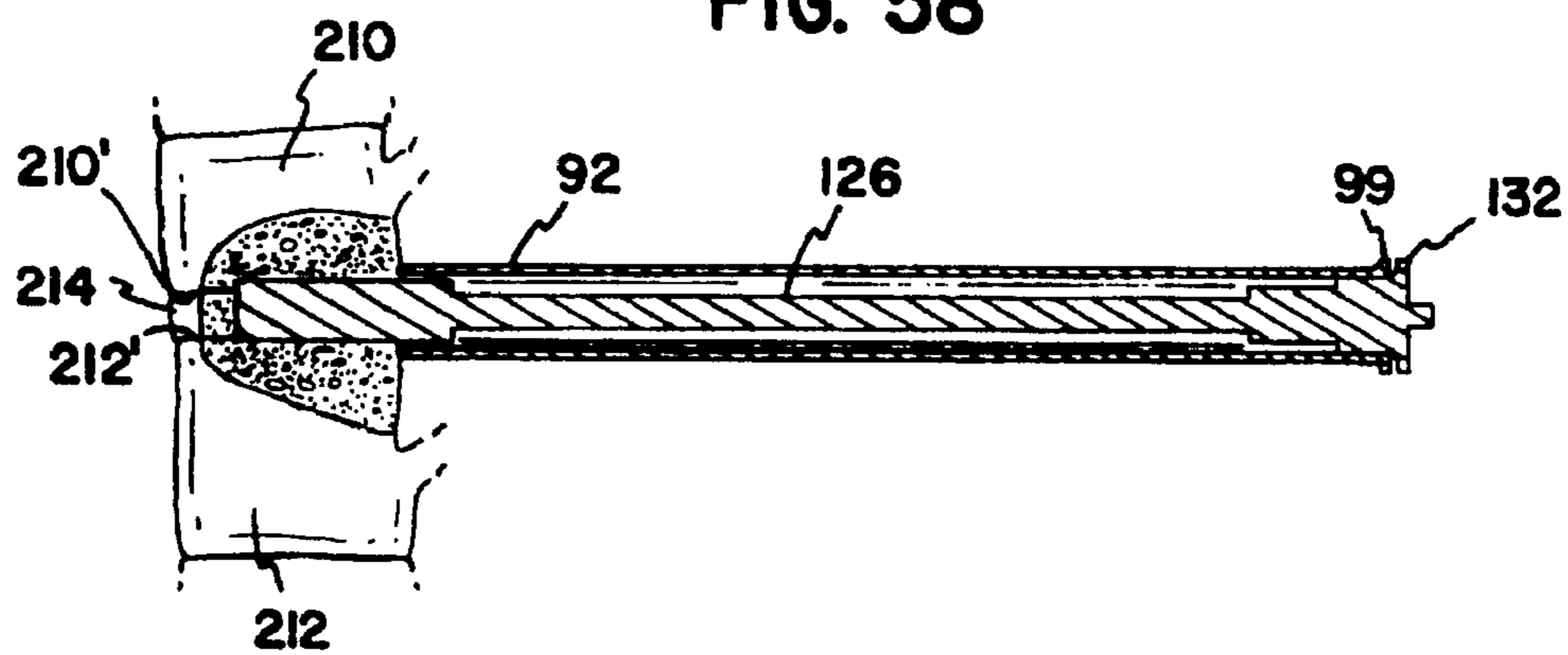


FIG. 58A

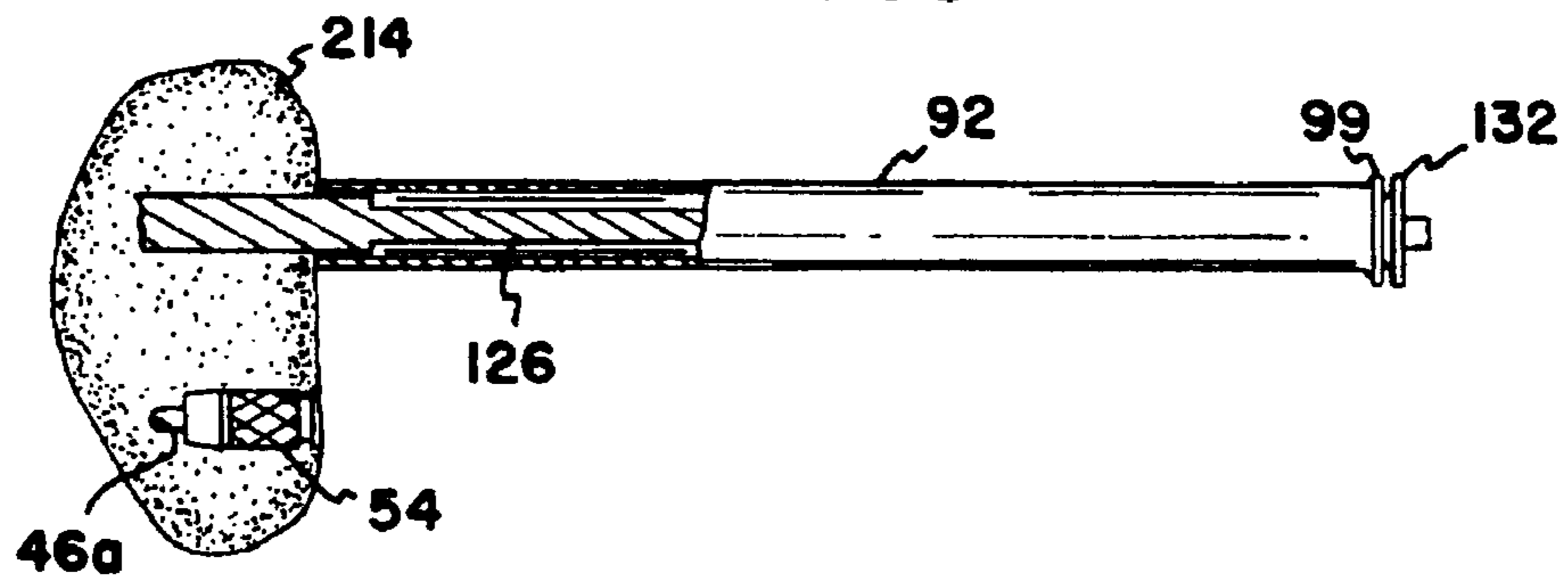




FIG. 59

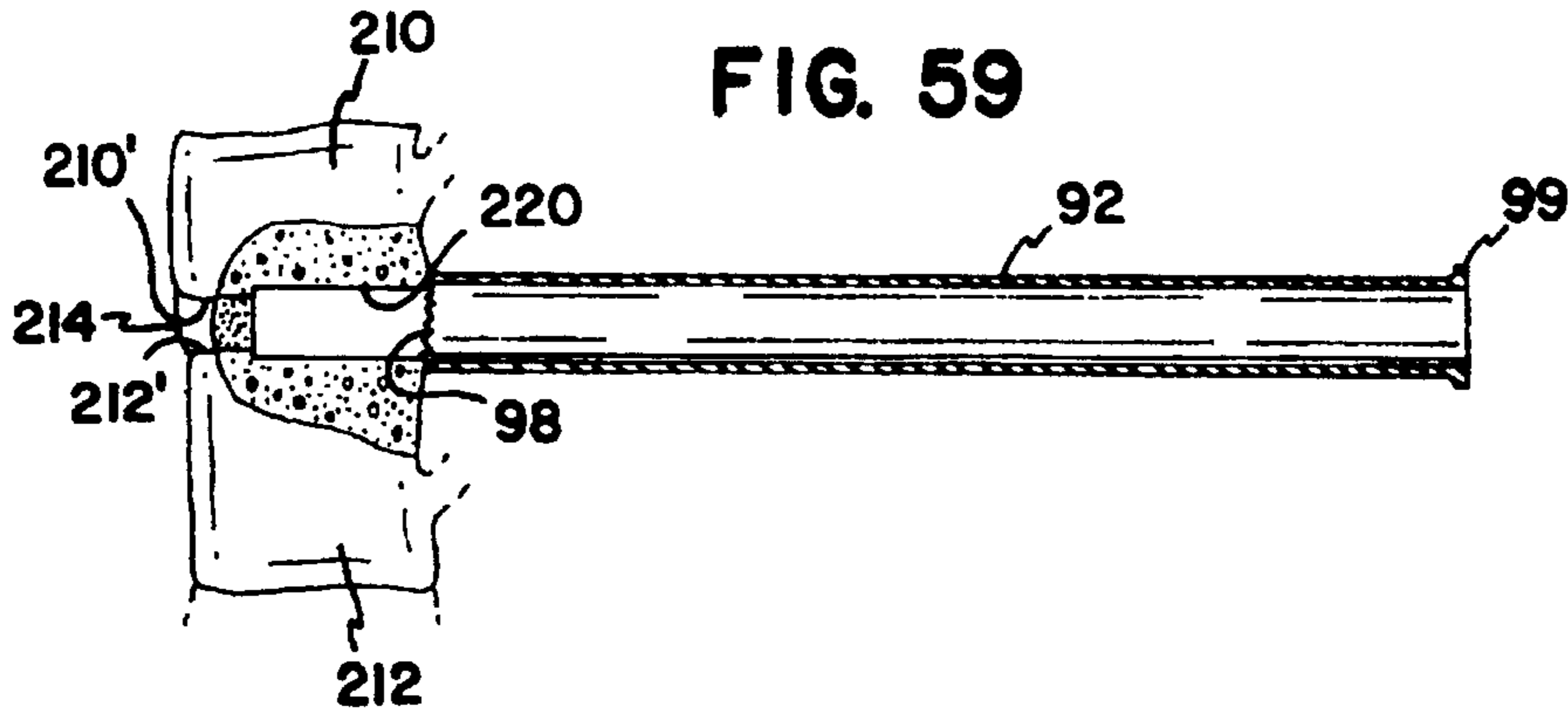


FIG. 59A

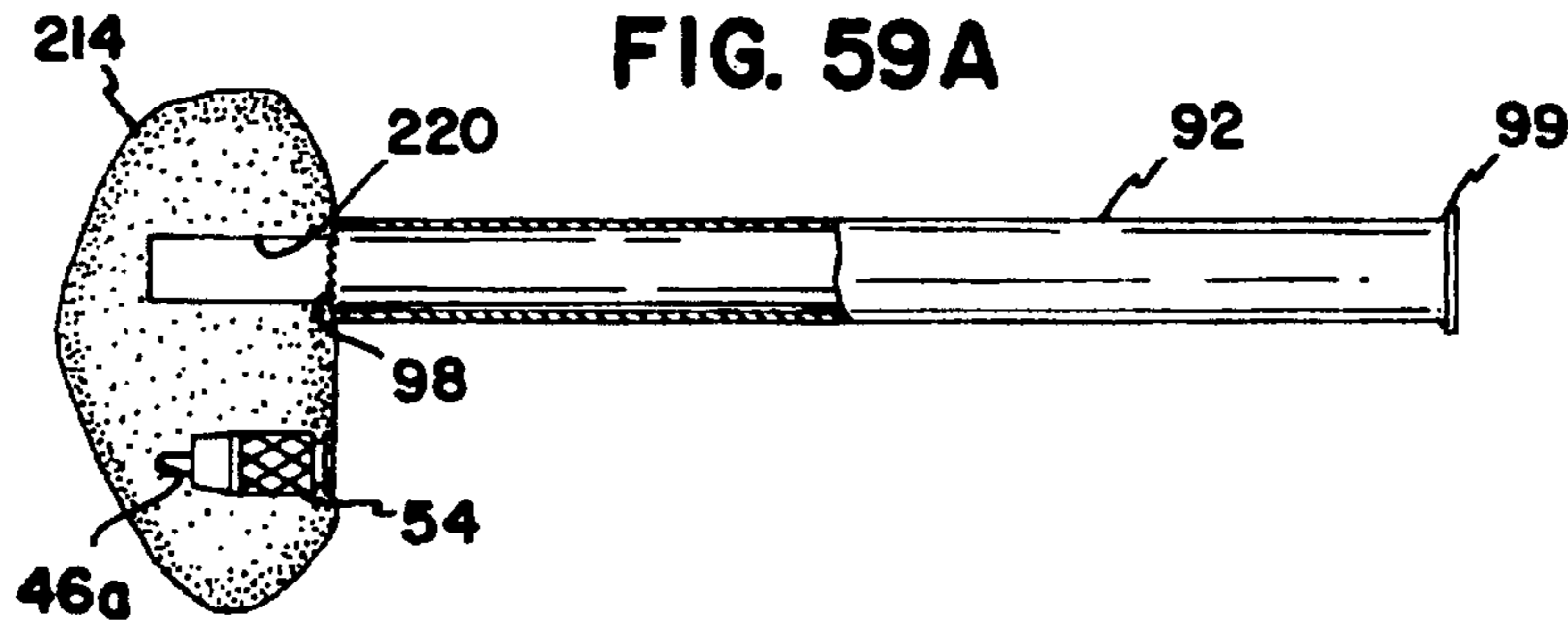


FIG. 60

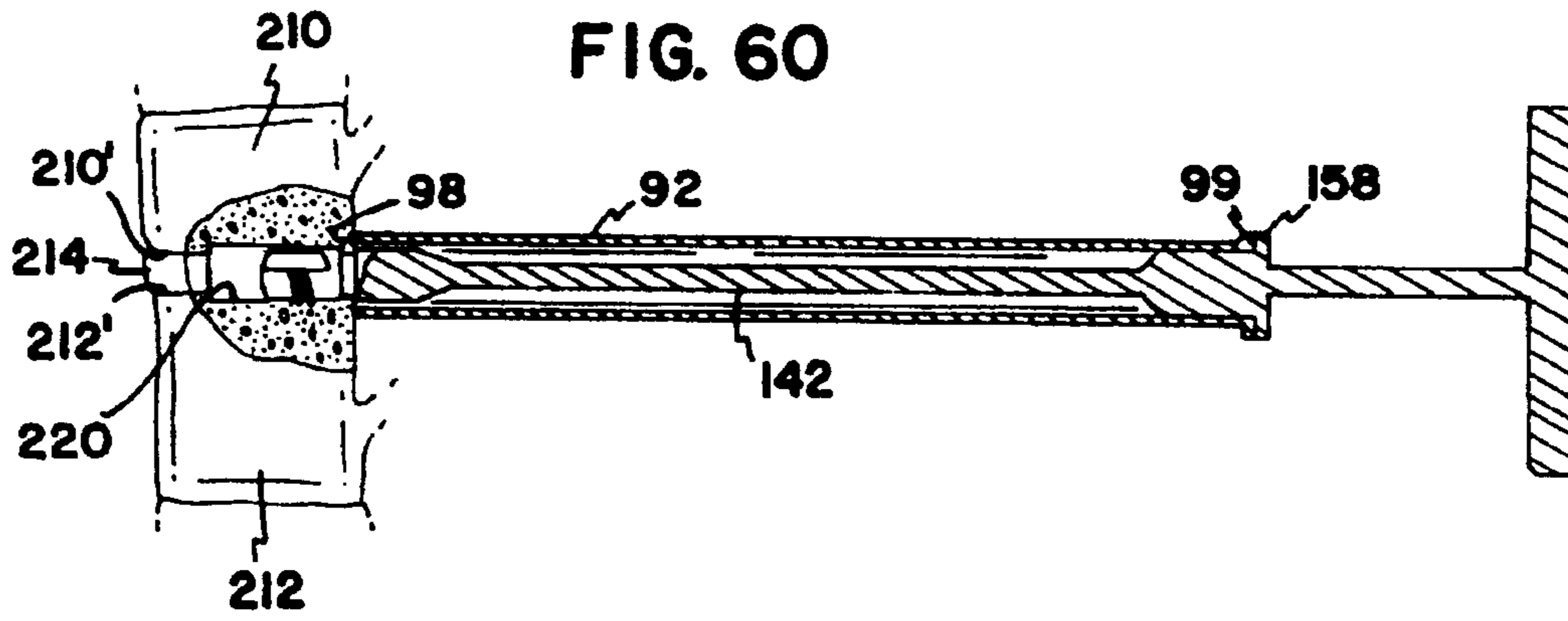


FIG. 60A

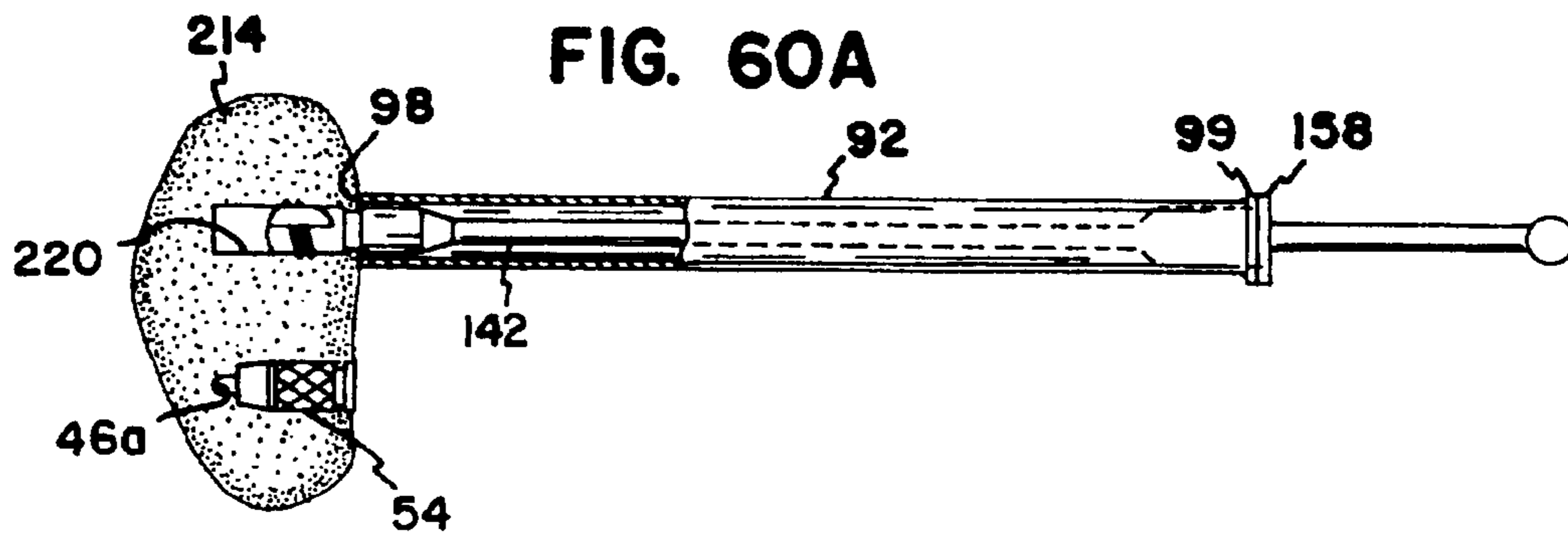


FIG. 61

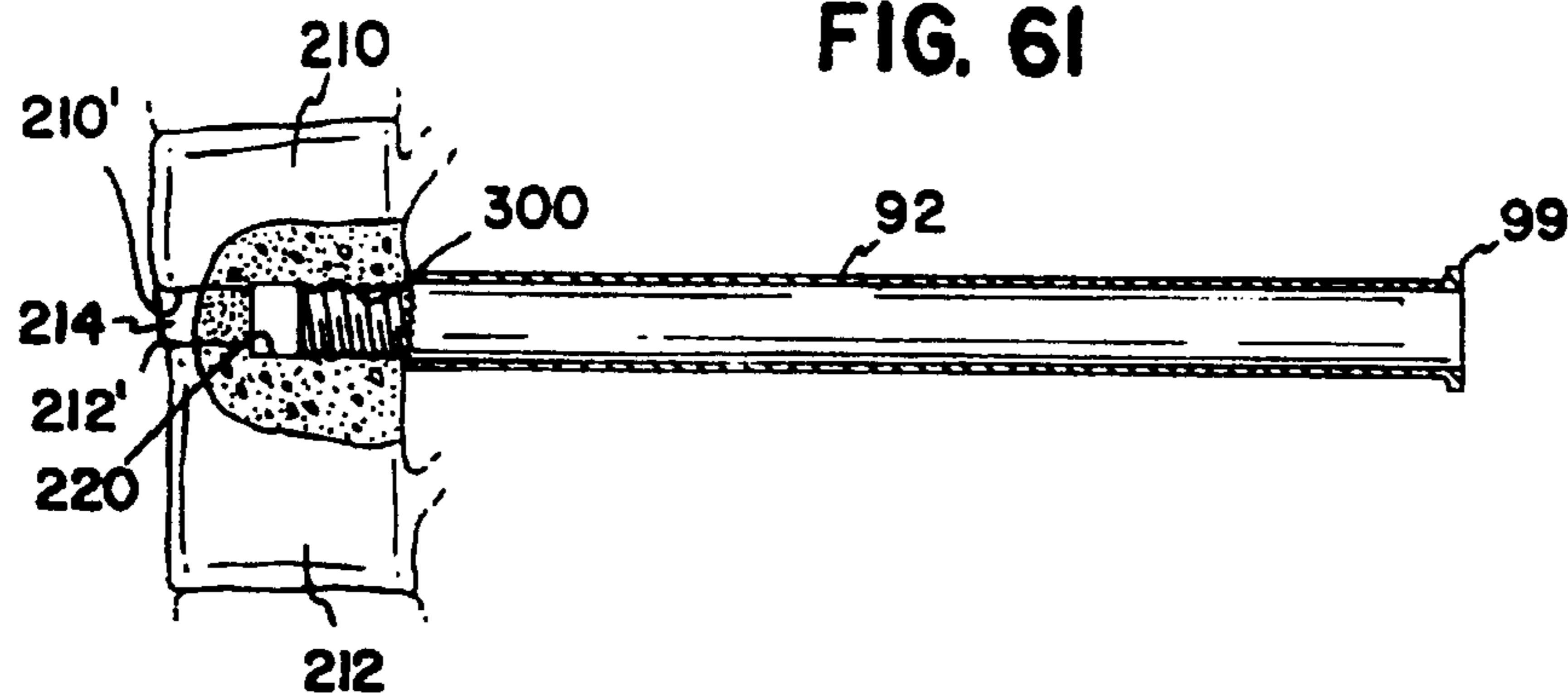


FIG. 61A

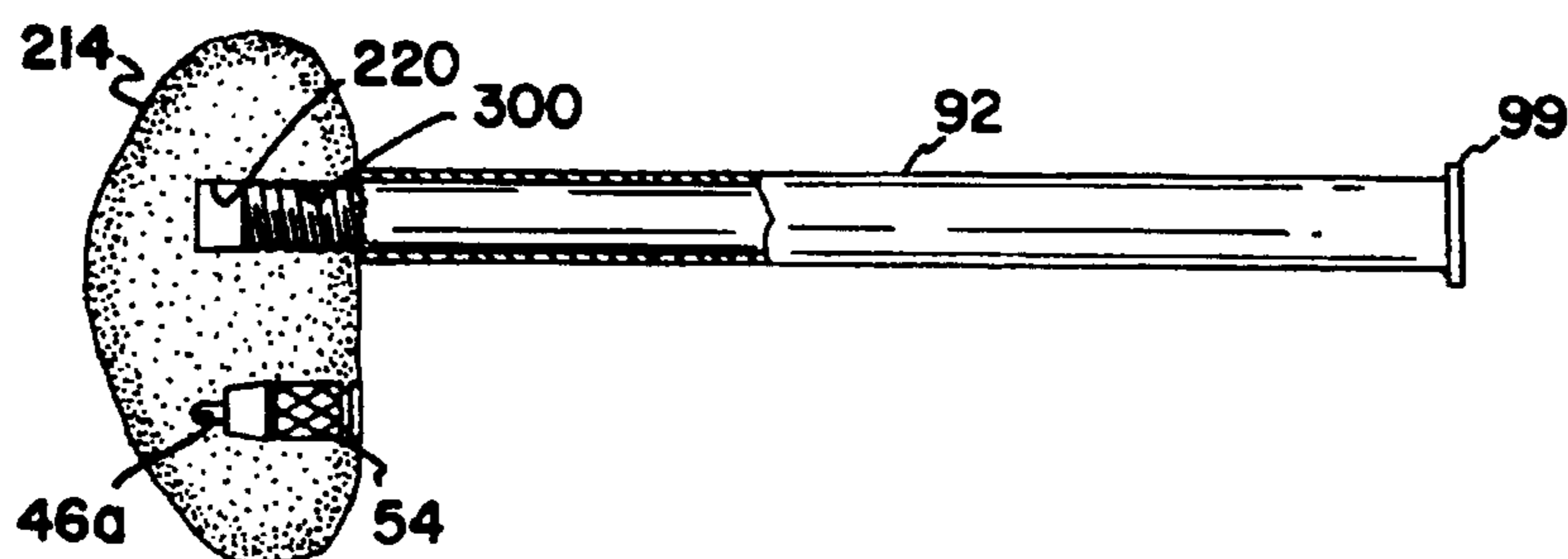


FIG. 62

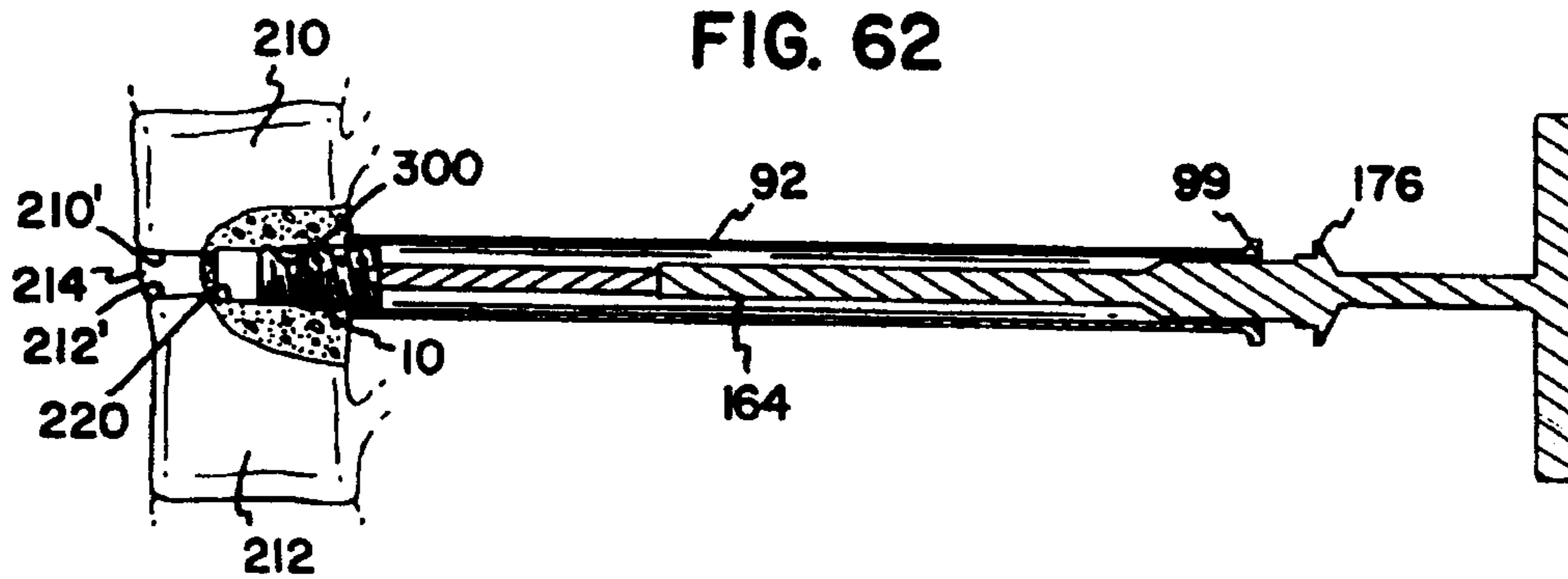
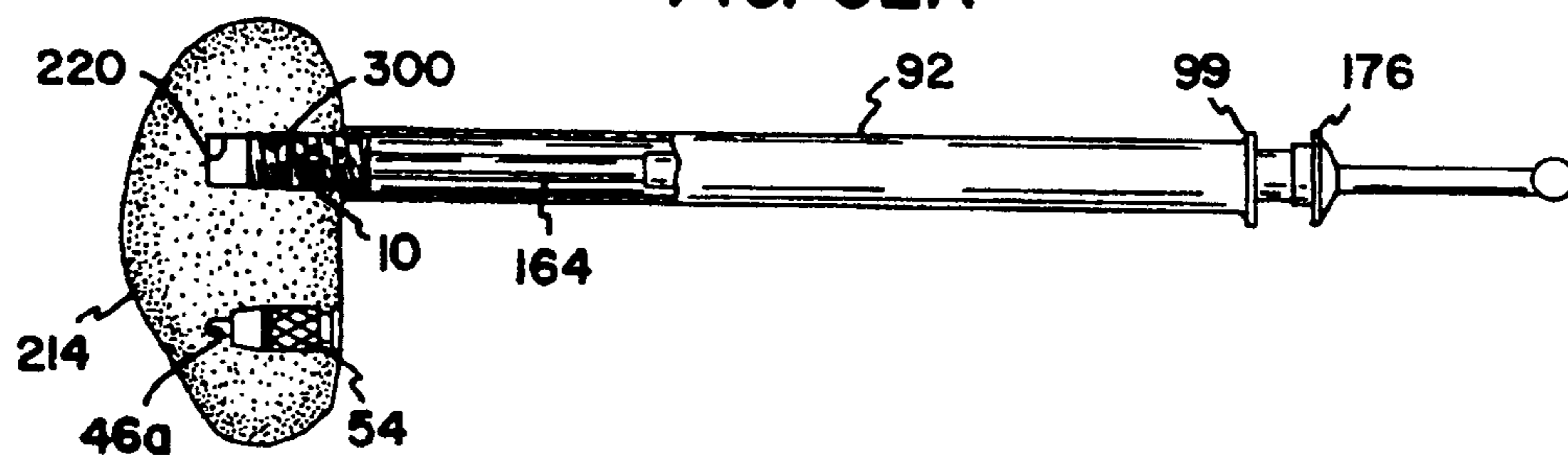
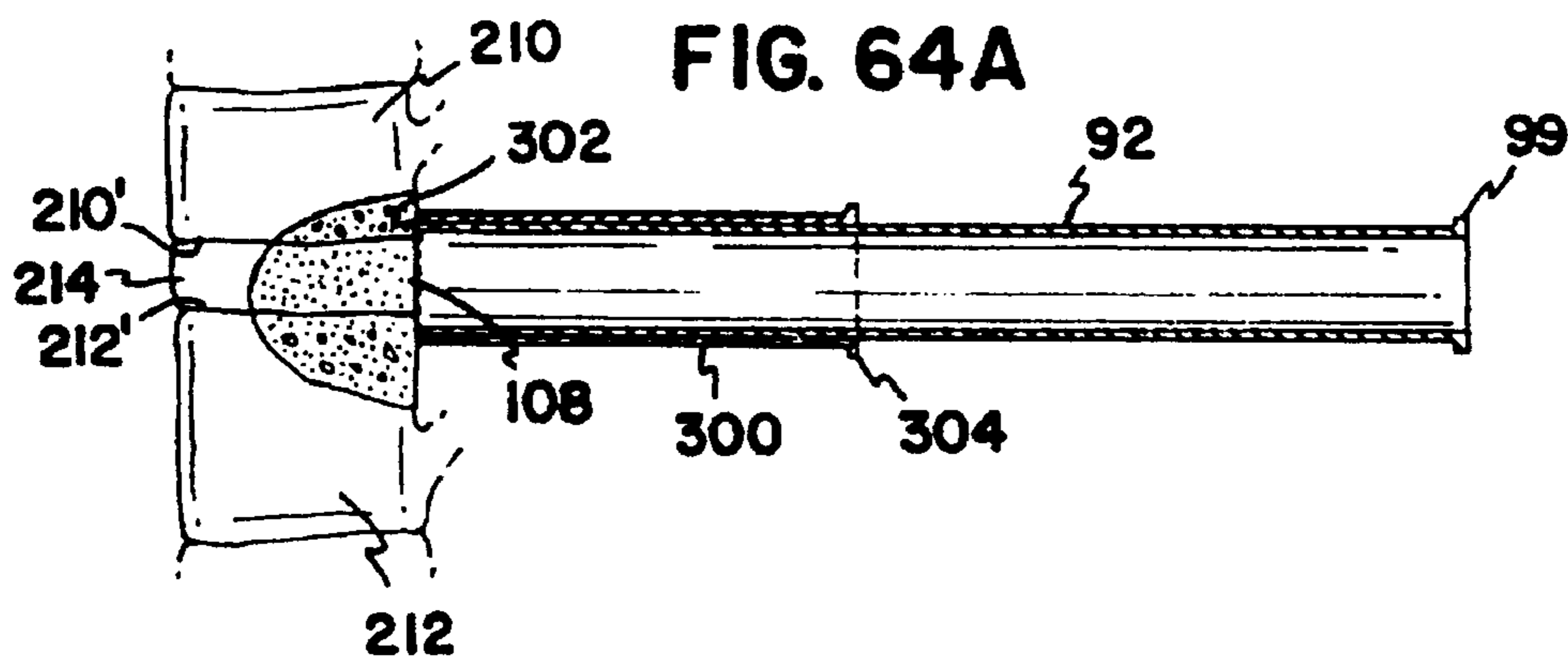
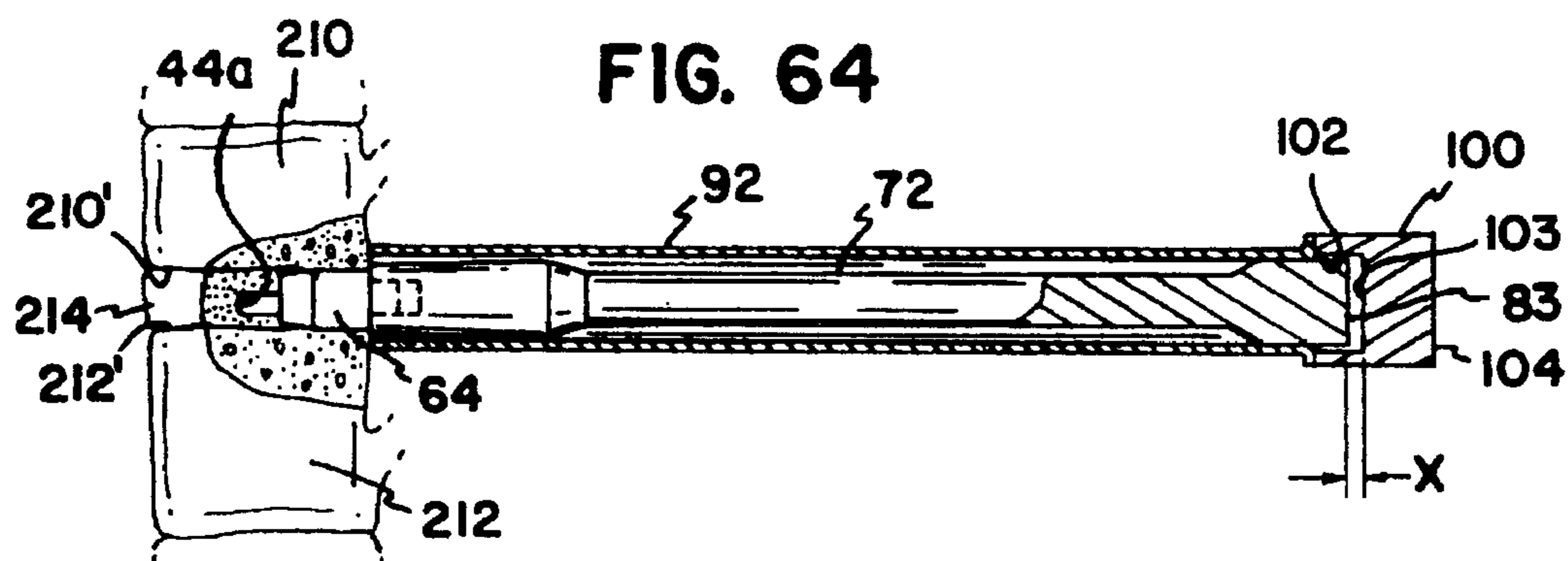
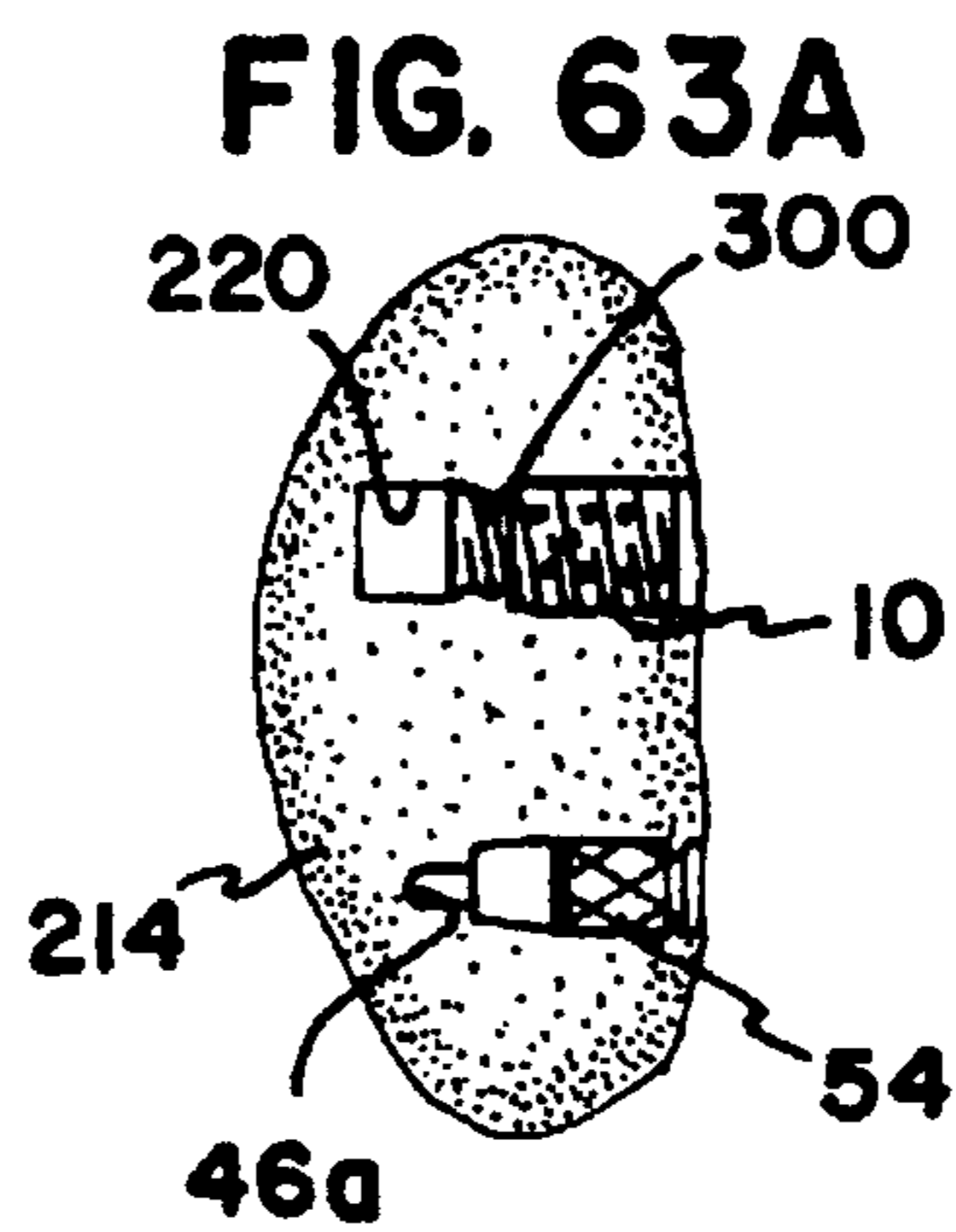
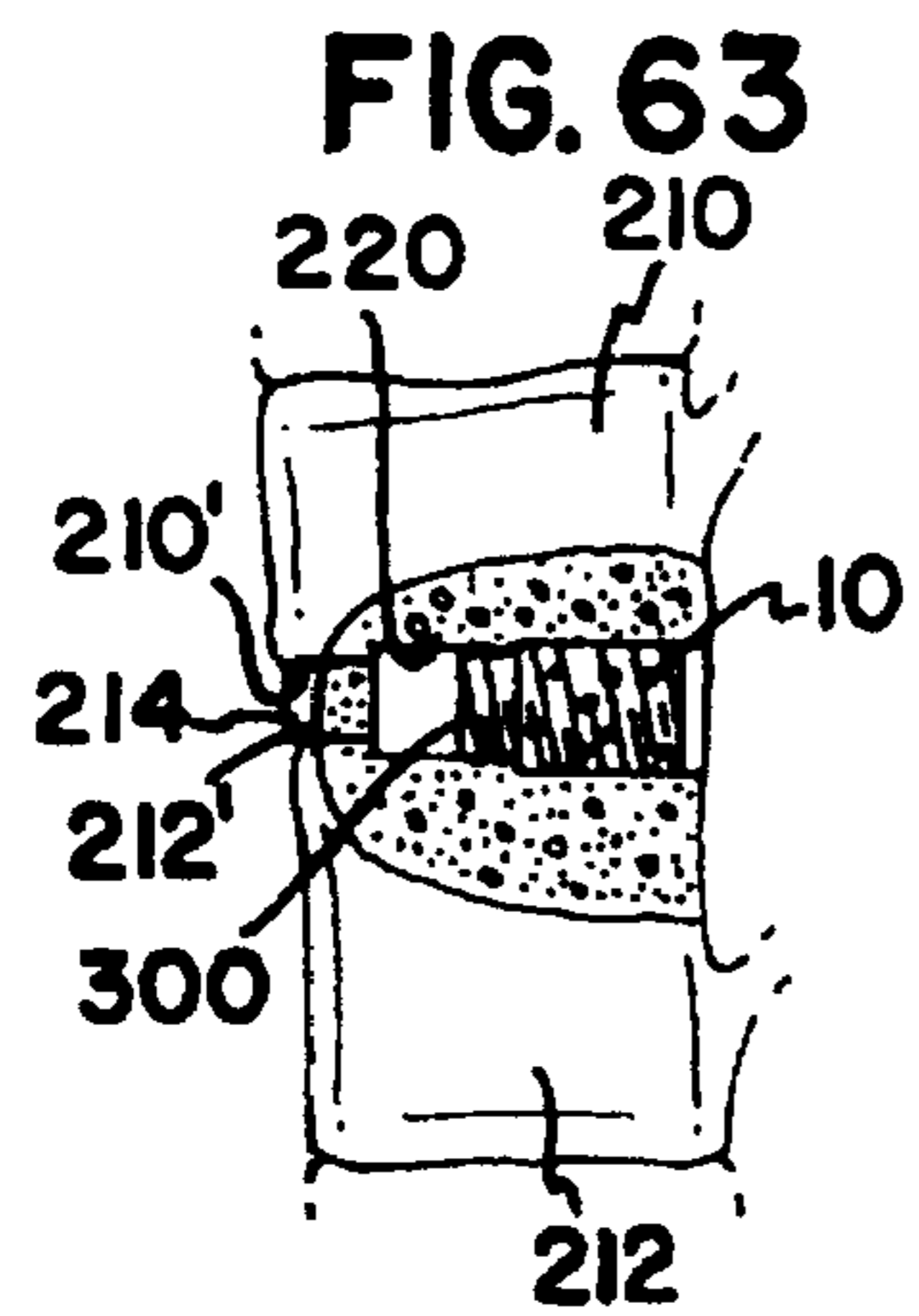


FIG. 62A







## SPINAL STABILIZATION SURGICAL METHOD

**Matter enclosed in heavy brackets [ ] appears in the original patent but forms no part of this reissue specification; matter printed in italics indicates the additions made by reissue.**

This is a continuation, of application Ser. No. 08/015,863, filed Feb. 10, 1993, now abandoned.

### BACKGROUND OF THE INVENTION

#### 1. Field of the Invention

This invention pertains to a spinal stabilization surgical procedure. More particularly, this invention pertains to a method for implanting a fusion spinal implant between two vertebrae.

#### 2. Description of the Prior Art

Chronic back problems cause pain and disability for a large segment of the population. In many cases, the chronic back problems are attributed to relative movement between vertebrae in the spine.

Orthopaedic surgery includes procedures to stabilize vertebrae. Common stabilization techniques include fusing the vertebrae together.

Fusion techniques include removing disc material which separates the vertebrae and impacting bone into the disc area. The impacted bone fuses with the bone material of the vertebrae to thereby fuse the two vertebrae together.

As in any surgical technique, it is desirable in back surgery to provide a procedure which permits rapid post-operative recovery. To this end and to increase the probability of a successful fusion, spinal implants have been developed. An example of such a spinal implant is shown in commonly assigned and co-pending U.S. patent application Ser. No. 07/702,351 filed May 15, 1991 (claiming priority to Jul. 6, 1989). That patent application teaches a threaded spinal implant which includes a hollow cylinder into which bone chips or bone slurry may be placed. The cylinder has holes extending radially therethrough. The bone material grows through the holes to fuse with the bone material of the vertebrae.

A threaded spinal implant is also shown in U.S. Pat. No. 5,015,247, dated May 14, 1991. In addition to teaching a threaded spinal implant, U.S. Pat. No. 5,015,247 shows a method of implantation including certain tools to form a bore into which the implant is threaded.

A threaded fusion cage and a method of inserting such a cage is also shown in U.S. Pat. No. 4,961,740 to Ray et al. dated Oct. 9, 1990 as well as U.S. Pat. No. 5,026,373 to Ray et al. dated Jun. 25, 1991. The latter patent teaches preparing a bore for the implant by drilling over a pilot rod. In addition to the above, spinal implants are shown in U.S. Pat. No. 4,875,915 to Brantigan dated Nov. 7, 1989, German Patent 3505567A1 dated Jun. 5, 1986 to Vich, U.S. Pat. No. 4,834,757 to Brantigan dated May 30, 1989 and U.S. Pat. No. 4,507,269 to Bagby dated Feb. 27, 1985. The latter is not a threaded implant but uses a cage or basket which is impacted into a bore formed between bone to be fused.

When performing back surgery (such as placing implants in a spine) it is desirable that the surgical procedure be performed as quickly and as accurately as possible. Accordingly it is an object of the present invention to provide a surgical

procedure for placing an implant in a spine in a procedure which can be done quickly and accurately.

In addition to the foregoing, it is known to be desirable to place two implants between opposing vertebrae (although a single implant procedure may be advisable in some circumstances). In a two implant procedure, bores are formed on opposite sides of the vertebrae to receive each of the implants. I have found that in such a procedure, the forming of the bores can cause misalignment of the vertebrae which is undesirable. Also, prior art techniques (e.g., drilling over a guide rod) can result in a bore which does not cut equally into both vertebrae. Accordingly, it is a further object of the present invention to provide a surgical implant procedure which assures accurate alignment of the vertebrae throughout the procedure.

Furthermore, it is an object of the present invention to provide a surgical procedure that can be performed posteriorly, anteriorly or as a laparoscopic procedure.

### SUMMARY OF THE INVENTION

A surgical method for implanting at least two spinal fusion implants into a disc space of a disc material which separates two vertebrae is disclosed. The surgical method includes the steps of distracting one side of the disc space with a spacer and forming an implant receiving bore in an opposite of the disc space. After implanting the implant into the opposite side, the spacer is removed and a bore receiving implant is formed to receive a second implant.

### BRIEF DESCRIPTION OF THE DRAWINGS

FIG. 1 is a side elevation view of an implant for use with the method of the present invention;

FIG. 2 is the view of the implant of FIG. 1 with the implant rotated 90° about its axis;

FIG. 3 is a view taken along line 3-3 of FIG. 1;

FIG. 4 is a view taken along lines 4-4 of FIG. 3;

FIG. 5 is a view taken along lines 5-5 of FIG. 2;

FIG. 6 is a view taken along lines 6-6 of FIG. 3;

FIG. 7 is a cross-sectional side view of an end cap for use with the implant of FIG. 1;

FIG. 8 is a plan view of the implant of FIG. 7;

FIG. 9 is a top plan view of an alignment guide assembly;

FIG. 10 is an end plan view of the guide assembly of FIG. 9;

FIG. 11 is a side elevation view of a drill tube guide removal handle;

FIG. 12 is a side elevation view of a drill tube guide;

FIG. 13 is a side elevation view of a drill tube planar according to the present invention;

FIG. 13A is a cross-sectional side view of the planar of FIG. 13;

FIG. 14 is a view taken along line 14-14 of FIG. 13;

FIG. 15 is a side elevation view of a starter vertebral reamer according to the present invention;

FIG. 16 is a proximal end view of the reamer of FIG. 15;

FIG. 17 is an enlarged side elevation view of a reamer head of the starter reamer of FIG. 15;

FIG. 18 is a distal end elevation view of the reamer head of FIG. 17;

FIG. 19 is a side elevation view of an end cap inserter according to the present invention;

FIG. 20 is a distal end view of the inserter of FIG. 19;

FIG. 21 is a side elevation view of a starter alignment guide handle;

FIG. 22 is a side elevation view of a drill tube inserter cap;

FIG. 23 is a view taken along lines 23-23 of FIG. 22;



FIG. 24 is a distal end view of the inserter cap of FIG. 22;  
FIG. 25 is a side elevation view of a distraction plug inserter;

FIG. 26 is a side elevation view of a slap hammer;

FIG. 27 is a distal end elevation view of the slap hammer of FIG. 26;

FIG. 28 is a side elevation view of a distraction plug for use with the present invention;

FIG. 29 is a side sectional view of a drill tube sleeve according to the present invention;

FIG. 29A is a side elevation view of a sheath for use with the present invention;

FIG. 29B is a distal end elevation view of the sheath of FIG. 29A;

FIG. 30 is a distal end elevation view of the drill tube sleeve of FIG. 29;

FIG. 31 is a side elevation view of a drill tube for use with the present invention;

FIG. 32 is a view taken along line 32-32 of FIG. 31;

FIG. 33 is an enlarged side elevation view of a distal end of the drill tube of FIG. 31;

FIG. 34 is a side elevation view of a final vertebral reamer;  
FIG. 35 is an elevation view of a proximal end of the final reamer of FIG. 34;

FIG. 36 is an enlarged view of a reamer head of the reamer of FIG. 34;

FIG. 37 is an end elevation view of a distal end of the reamer head of FIG. 36;

FIG. 38 is a side elevation view of a vertebral reamer guide pin;

FIG. 39 is a plan end view of the guide pin of FIG. 38;

FIG. 40 is a side elevation view of a starter tap;

FIG. 41 is a view taken along line 41-41 of FIG. 40;

FIG. 42 is an enlarged sectional view of thread cutting teeth of the tool of FIG. 40;

FIG. 43 is a side elevation view of an implant driver for use with the present invention;

FIG. 44 is an end view of a hub on a distal end of the tool in FIG. 43;

FIG. 45 is a view taken along line 45-45 of FIG. 43;

FIG. 45A is a side elevation view of a shaft of the tool of FIG. 43 showing an attached collet;

FIG. 45B is a cross-sectional view of FIG. 45A taken along lines 45B-45B;

FIG. 46 is a side elevation exploded view of a vertebral reamer hand driver;

FIG. 47 is an end elevation view of the tool of FIG. 46;

FIG. 48 is a side elevation view of two vertebrae separated by a disk;

FIG. 48A is a view taken along lines 48A-48A of FIG. 48;

FIGS. 49 and 49A are views similar to FIGS. 48, 48A showing insertion of a starter alignment guide assembly;

FIGS. 50 and 50A are views similar to FIGS. 48 and 48A showing placement of a distraction plug by use of an inserter;

FIGS. 51 and 51A are views showing the distraction plug in place;

FIGS. 52, 52A are views similar to the preceding views showing placement of a vertebral reamer guide pin;

FIGS. 53, 53A are views similar to the foregoing views showing placement and use of a drill tube planar;

FIGS. 54, 54A are views similar to the foregoing views showing placement of a drill tube;

FIGS. 55, 55A are views similar to the foregoing showing placement of a drill tube sleeve;

FIGS. 56, 56A are views similar to the foregoing showing preboring of an implant bore;

FIGS. 57, 57A are views similar to the foregoing views showing a partially formed bore following the preboring of FIGS. 56, 56A;

FIGS. 58, 58A are views similar to the foregoing views showing final boring of an implant bore;

FIGS. 59, 59A are views similar to the foregoing showing formation of a completed bore after removal of the final boring tool of FIGS. 58, 58A;

FIGS. 60, 60A are views similar to the foregoing showing tapping of the bore formed in FIGS. 59, 59A;

FIGS. 61, 61A are views similar to the foregoing showing the tapped bore;

FIGS. 62, 62A are views similar to the foregoing showing placement of an implant within a threaded bore;

FIGS. 63, 63A are views showing completed placement of an implant within the bore;

FIG. 64 is a view showing placement of a drill tube using an end cap inserter; and

FIG. 64A is a view showing use of a sheath on a drill tube.

#### DESCRIPTION OF THE PREFERRED EMBODIMENT

##### 1. GENERALLY

Referring now to the several drawing figures in which identical elements are numbered identically throughout, a description of the preferred embodiment will now be provided. For purposes of illustrating a preferred embodiment, a description of the surgical procedure will be given with respect to an implant 10 such as that shown and described in commonly assigned and co-pending U.S. patent application Ser. No. 07/702,351. It will be appreciated that the present surgical procedure can apply to a wide variety of implants including threaded implants such as those shown in the aforementioned U.S. Pat. Nos. 5,015,247 and 4,961,740 as well as non-threaded implants such as shown in U.S. Pat. No. 4,507,269 or other implants. The term "implant" as used herein may also include bone implants (e.g., autograft, allograft or artificial bone).

The implant 10 (FIGS. 1-6) is a hollow cylinder 12 having male threads 14 exposed on the exterior cylindrical surface of cylinder 12. The cylinder includes a forward interior chamber 16 and a rear interior chamber 17 separated by a reinforcing rib 19, a bone slurry or bone chips may be compacted into chambers 16,17 as will be described.

A first plurality of holes 18 extend radially through the cylinder wall and communicate with the chambers 16,17. A second (and enlarged) plurality of holes 21 are disposed on diametrically opposed sides of the implant 10.

A rear end 22 of the implant has a slot 24 which communicates with the chamber 17. The slot 24 allows the bone slurry or bone chips to be impacted into the implant 10. A slot 25 is defined by rib 19. The slot 25 is sized to receive the distal end of a tool (as will be more fully described) to place the implant within a bore formed between opposing vertebrae.

An endcap 26 (FIGS. 7, 8) is provided to snap fit onto the rear end 12 by means of snap tabs 27. In a preferred embodiment, the endcap 26 is polyethylene or some other radiolucent material to permit post-operative x-ray inspection and determine the adequacy of the fusion after the implant surgery has been performed.

##### 2. TOOLS

###### A. Generally

In a preferred embodiment the technique of the present invention will be performed with a prescribed kit of tools. For the purpose of illustrating the preferred embodiment, the tools of the kit will now be described. It will be appreciated



that the method of the surgery can be practiced using a wide variety of tools of different size and shapes.

Each of the tools of a kit necessary to perform the surgery as described in this application will be separately described. The use of the tools will become apparent with the description of the method of the invention in Section IV.3 of this application. Unless otherwise specified, all tools are formed of stainless steel.

Since vertebrae size and disc space size vary from patient-to-patient (and since such sizes vary along the length of the spine of any given patient), several sizes of implants **10** are anticipated. Presently, implants **10** having minor outside diameters ( $D_m$ ) of 3 mm, 5 mm, 7 mm, 9 mm, 11 mm, 13 mm, 15 mm, 17 mm, 19 mm and 21 mm with lengths ( $L$ ) of 10 mm, 12 mm, 14 mm, 16 mm, 16 mm, 20 mm, 24 mm, 28 mm, 28 mm and 30 mm, respectively, are anticipated to accommodate various spine locations and sizes. The major outside diameters ( $D_M$ ) of the implants **10** are 2.5 mm larger than the minor outside diameters  $D_m$ .

Several of the tools to be described (e.g., reaming tool **126**) are sized for particular sizes of implants. Namely, the reaming tool **121** must form a bore sized to receive the implant. Since ten sizes of implants are anticipated, ten sizes of boring tools **126** are anticipated as will become apparent to one of ordinary skill in the art.

#### B. STARTER ALIGNMENT GUIDE HANDLE

The kit of the present invention includes a starter alignment guide handle **28** (see FIG. 21). The handle includes a distal end **30** having an impact flange **31** and an axially extending threaded stud **32**. A proximal end **34** of the handle is knurled to permit a surgeon to firmly grip the handle **28**.

#### C. STARTER ALIGNMENT GUIDE ASSEMBLY

The starter alignment guide assembly **36** (FIGS. 9 and 10) includes a main body **40** having a threaded bore **42** sized to receive the threaded end **32** of handle **28**. Extending from the body **40** are parallel pins **44**, **46**. The pins are spaced apart by a distance  $D_1$  as will be more fully described. The pins **44**, **46** have stop surface **45**, **47**.

As mentioned, since human anatomy varies significantly from one patient to another (and since the sizing of vertebrae varies depending on the location within the spine), it is anticipated that the kit will require various sizes of tools. With respect to starter alignment guide assembly **36**, it is anticipated that at least ten tools will be provided having pin spacings  $D_1$  selected to identify a desired spacing of two implants each of diameters of 3, 5, 7, 9, 11, 13, 15, 17, 19, and 21 mm, respectively. However, such a kit will only require one guide handle **28** which can be inserted and attached to each of the starter alignment guide assemblies **36**.

The main body **40** is nylon to be X-ray transparent. Also, the body **40** has curved edges **49** with a radius of curvature to match a radius of a corresponding drill tube **92**. For example, for placing two 13 mm ( $D_m$ ) implants **10**, a drill tube **92** with an inside diameter of 16.0 mm (for a  $D_M$  of 15.5) is required (the 0.5 mm difference providing clearance). The edges **49** match the contour of the drill tube **92** and are spaced apart equal to a spacing of the drill tube when operating on either the right or left side. As a result, the back surface **43** of main body **40** may be placed against the spine to outline an area which must be cleared for the procedure. This aids the surgeon in determining the proper laminectomy size or required amount of vessel retraction.

#### D. DISTRACTION PLUG INSERTER

A distraction plug inserter **48** (FIG. 25) is provided and includes a shaft **50** and a handle end **51** which is knurled to provide a secure grip. A distal end **53** has a threaded shaft **52** extending axially therefrom. End **51** has a larger diameter

than shaft **50** to provide a surface **49** against which slap hammer **192** (FIG. 26) may strike as will become apparent.

#### E. DISTRACTION PLUG

A distraction plug **54** (FIG. 28) is provided having a generally cylindrical body **56** with a tapered forward end **58**. The rear end has a reduced diameter portion **55** terminating at a flange **57** having a diameter the same as the body **56**. A threaded bore **62** is formed through the rear end to receive the threaded shaft **52** of the distraction plug inserter **48**. The body **56** is knurled to prevent undesired axial movement of the plug **54** after it is inserted.

As will be more fully described, the distraction plug **54** is used to initially distract opposing vertebrae. The amount of desired distraction will vary from patient to patient and from spine location to spine location. Accordingly, it is anticipated that distraction plugs having diameters  $D_2$  ranging from 3 to 14 mm (by one millimeter increments) shall be included within the kit. Each of the distraction plugs fits on the inserter **48** such that only one inserter **48** is required for the kit.

#### F. VERTICAL REAMER GUIDE PIN

A vertebral reamer guide pin **64** (FIGS. 38 and 39) is provided including a generally cylindrical body **66** having a tapered forward end **68** and a reduced diameter threaded rear end **70**. The tapered forward end **68** has three flats **69** that grind away disc material when the pin **64** is secured to a starter reamer **112** (FIG. 15) as will be described.

As with the distraction plug **54**, a wide variety of sizes of guide pins **64** are anticipated to be required in the kit having diameters  $D_3$  ranging from 3 through 14 mm (increasing by one millimeter increments). For reasons that will become apparent, it is desired that all of the guide pins **64** have a threaded stud **70** of identical size.

#### G. DRILL TUBE GUIDE

A drill tube guide **72** (FIG. 12) is provided including a cylindrical shaft **74** and a distal end **76**. The distal end **76** has a predetermined maximum outside diameter  $D_4$ . Provided on the axial face **78** of distal end is a bore **80** which is threaded and sized to receive stud **70** of the guide pin **64**. A proximal end **82** (of diameter  $D_4$ ) of the drill tube guide has a threaded bore **81** for purposes that will be described. End **82** terminates at a flat axial face **83**.

In application, various sizes of implants **10** will be required depending on the anatomical sizing of the vertebrae to be fused. It is anticipated that implants **10** of ten different major outside diameters  $D_M$  will be required to accommodate a wide variety of applications. Accordingly, the kit of the present invention will include ten drill tube guides having outside diameters  $D_4$  to finally prepare bores to receive the three sizes of implants as will be described. The outside diameters  $D_4$  are equal to  $D_M$  for each matching pair of implant **10** and drill tube guide **72**.

#### H. DRILL TUBE PLANAR

In some applications, it may be desirable to plane a surface of a vertebrae. For example, tissue may cover the surface of the vertebrae to be bored. The various tools of the present invention should abut vertebrae bone to insure that an implant **10** is inserted to a proper depth. A drill tube planar **84** removes the tissue and provides a flat surface on the vertebrae bone against which to place tools.

The drill tube planar **84** (FIGS. 13 and 14) includes a hollow tube **86** having an inside diameter  $D_5$ . The distal end **88** of the drill tube planar **84** includes a toothed rasp surface **85** to rasp away bone material as the distal end **88** is placed against bone and the planar **84** is rotated about its axis. The proximal end **90** of the planar **84** includes a knurled handle to permit a surgeon to securely grasp the planar during the planing operation.



As will be more fully described, in the anticipated method of the present invention, the planar **84** will slip over the drill tube guide **72** with the diameter  $D_4$  selected in close tolerance to  $D_5$  (i.e.,  $D_5$  is 0.5 mm larger than  $D_4$ ). As a result, ten planars **84** are required to fit on the ten sizes of drill tube guides **72**.

The planar **84** includes an internal stop **87** positioned to oppose surface **83** of guide **72** when the planar **84** is placed over guide **72**. A clean out hole **89** is provided to clean out planar **84**.

#### I. DRILL TUBE

A drill tube **92** (FIGS. **31**, **32**, and **33**) is provided in the form of a hollow cylindrical tube **94**. The distal end **96** of the tube **94** is provided axially projecting teeth **98**. The proximal end **99** of the tube **94** is flared outwardly for purposes that will become apparent. As will be apparent, ten sizes of tube **92** are required with inside diameters  $D_6$  to slip in close tolerance over ten sizes of drill tube guide **72** (i.e.,  $D_6$  is 0.5 mm larger than  $D_4$ ).

The teeth **98** each have a length,  $T_L$ , of preferably 3 mm. The valleys **97** are flat to provide stop surfaces to hit bone as teeth **98** are forced into vertebrae. This helps prevent the drill tube **92** from being forced too far into bone.

#### J. DRILL TUBE INSERTER CAP

As will be more fully described, the drill tube **92** is secured to vertebrae by forcing the teeth **98** into the vertebrae bone material. This is done by impacting the proximal end **99** of the drill tube **92**. An inserter cap **100** (FIGS. **22**, **23** and **24**) is provided in the form of a solid cylinder having an axial bore **102** with an inside diameter  $D_9$  terminating at a flat annular face **101**. Diameter  $D_9$  is slightly larger than outside diameter  $D_4$  of drill tube guide **72** (FIG. **12**) so that cap **100** can slip over end **82** of guide **72** with a stop surface **103** opposing end **83** and with surface **101** opposing flared end **99** of drill tube **92**. The cap **100** has an opposite flat end **104** against which a surgeon may impact. This impacts the drill tube **92** to force the teeth **98** into the bone of a vertebrae.

#### K. DRILL TUBE SLEEVE

A drill tube sleeve **105** (FIGS. **29** and **30**) is provided in the form of a hollow tube having a flat distal end and an outwardly flared proximal end **110**. Ten sizes of sleeves **105** are required in the kit having outside diameters  $D_7$  sized to slip within, in close tolerance, the ten sizes of drill tubes **92**. The inside diameter  $D_{10}$  is selected to be slightly greater (e.g., 0.5 mm larger) than the minor outside diameter  $D_m$  of the implants **10**.

#### L. STARTER VERTEBRAL REAMER

To start a bore between opposing vertebrae, a starter vertebral reamer **112** is provided (FIGS. **15** through **18**). The starter reamer **112** has a shaft **114**. A reamer head **116** is secured to the distal end of the shaft **114**. An axial face of the reamer **116** has a threaded bore **118** sized to receive the threaded shaft **70** of the vertebral reamer guide pin **64**. A proximal end **120** has an outwardly flared hub **122** to act as a positive stop against flare **110** of the drill tube sleeve **106** as will be more fully described. A shaft **124** extends from the distal end. The reamer **116** includes cutting blades **117** that provide both end cutting and side cutting into bone as the starter reamer **112** is rotated about its axis.

To accommodate ten sizes of implants, ten sizes of vertebral reamers **112** are included in the kit. The reamers **112** have outside diameters  $D_{11}$  equal to the minor outside diameters  $D_m$  of the implants **10**.

#### M. FINAL VERTEBRAL REAMER

A final vertebral reamer **126** (FIGS. **34** through **37**), is provided for completing a bore started by the starter vertebral reamer **112**. The final reamer **126** includes a shaft **128**. A distal end of the shaft is provided with a reamer end **130**

having side and end cutting blades **131**. A proximal end of the shaft is provided with an outwardly flared hub **132**. Extending from hub **132** is an axial shaft **134**. For reasons given with respect to starter reamer **112**, ten sizes of final reamers **126** are required with the kit. The outside diameter  $D_{12}$  of final reamer **126** equals the minor outside diameter  $D_m$  of implants **10**.

#### N. VERTEBRAL REAMER HAND DRIVER

To operate reamers **112** and **126**, a hand driver **136** (FIGS. **46** and **47**) is provided. The hand driver includes an axial bore **138** to receive either of shafts **124** or **134**. The hand driver **136** also includes a manually engageable handle **140** to be actuated by a surgeon performing the surgery of the present invention.

The handle has an enlarged barrel portion **137** with radial grooves **139**. With one hand, a surgeon puts axial pressure on handle **140** and with the other hand the surgeon rotates barrel **137** with fingers in grooves **139**. Thus, the surgeon can securely turn a reamer secured to the driver **136**.

Radial bores **141**, **143** extend through barrel **137** to receive set screws to fix a shaft **124** or **134** received within bore **138**.

#### O. BONE TAP

In the event a threaded implant is utilized (as is the case in the preferred embodiment of the present invention), the bores for the implant are partially prethreaded. To prethread, a bone tap **142** (FIGS. **40** through **42**) is provided, having a shaft **144**. At the distal end of the shaft **144** is a tapping head **146** having tapping threads **148**. Near the proximal end of the shaft **144** is an enlarged diameter portion **156** having an outwardly flared flange **158**. A handle **160** is secured to the enlarged portion **156**. The shaft **144** is also enlarged at portion **162** adjacent tapping head **146**. The enlarged portion **156** is sized with diameter  $D_8$  to be received, in close tolerance, within the drill tube **92** such that the tube **92** will guide the tap **142** as will be more fully described.

Since ten sizes of implants **10** are intended to be utilized, ten sizes of bone taps **142** are required. Diameter  $D_8$  is equal to the major outside diameter  $D_M$  of implant **10**. The head **146** has a minor outside diameter (i.e., the diameter without threads **148**) equal to the minor outside diameter  $D_m$  of the implants **10**.

#### P. IMPLANT DRIVER

To place implant **10**, an implant driver **164** (FIGS. **43** through **45**) is provided. The driver **164** includes a shaft **166** having a reduced diameter distal portion **166a**. A distal end of the shaft **166** is provided with a hub **168** sized to be received within slot **24** of the implant **10** to urge the implant **10** to rotate as the implant driver **164** is rotated. The implant driver **164** includes a stepped enlarged portion **170** including a first diameter portion **172**, a second diameter portion **174** and a third diameter portion **176** to accommodate the different diameters of drill tubes **92**. A handle **178** is secured to the shaft **164**. Grooves **180**, **180a** are formed on the shafts **166**, **166a** and extend along their axial lengths. The grooves **180** provide a means for a surgeon to sight the alignment of the implant.

FIGS. **45A** and **45B** show the implant driver **164** with a collet **171**. The collet **171** has a cylindrical, knurled body **173** slidably carried on shaft **166a**. A pin **175** extending from body **173** into groove **180a** permits collet **171** to slide on shaft **166** but not rotate. Four prongs **177** extend axially from body **173** toward hub **168**.

In use, shaft **166** is passed through end opening **24** of implant **10**. Hub **168** is receiving within slot **25**. The prongs **177** are forced by a surgeon pushing on body **171** for the prongs **177** to be urged between opposing surfaces of the implant **10** and shaft **166a** to thereby securely capture the implant **10** on driver **164**. As a result, the implant **10** cannot



inadvertently fall off. (For ease of illustration, the Figures showing the method of the invention, FIGS. 48-63A, do not show use of collet 171).

#### Q. ENDCAP INSERTER

Once an implant is placed between two vertebrae an endcap must be secured to the implant according to the preferred embodiment. To this end, an endcap inserter 180 (FIGS. 19 and 20) is provided. The inserter 180 includes a shaft 182. At the distal end of the shaft, a head 184 is provided having a cupped surface 186 to receive and temporarily hold an endcap 26 before it is secured in place. An enlarged portion 180 of the shaft is sized to be received, in close tolerance, within drill tube 92 to be guided by the tube 92. Since ten sizes of drill tubes are required for ten sizes of implants, ten sizes of endcap inserters are also required. The inserter 180 has an outside diameter  $D_{14}$  just smaller than (e.g., 0.5 mm smaller) than the inside diameter  $D_6$  of the drill tube 92. A knurled handle 190 is provided on the proximal end of the shaft 182.

#### R. SLAP HAMMER

To remove the distraction plug 54 of drill tube guide 72, a slap hammer 192 (FIGS. 26 and 27) is provided. The slap hammer is a cylindrical body having a knurled surface to permit a surgeon to securely grip the body. The hammer has an axial slot 196. The hammer is placed on the shafts 202, 50 of handle 200 or inserter 48, respectively, with the tool shaft received within slot 196. By pulling back on hammer 192 and impacting it against a stop surface (e.g., surface 49 of tool 48), a tool can be removed.

#### S. DRILL TUBE GUIDE REMOVAL HANDLE

A handle 200 (FIG. 11) is provided to remove the drill tube guide 72. The handle 200 includes a shaft 202. At the distal end, a threaded stub 204 is provided sized to be threadably received within the threaded bore 81 of the drill tube guide 72. A proximal end of the handle 200 is provided with an enlarged diameter knurled handle 206 to permit a surgeon to securely grasp the handle 200 and to stop the travel of slap hammer 192.

#### T. DRILL TUBE SHEATH

As will become apparent, drill tube 92 or planar 84 are passed through a patient's body to an implant site. To avoid risk of teeth 85 or 98 damaging vessels, nerves or organs, a drill tube sheath 300 is provided (FIGS. 29A, 29B). The sheath 300 is a hollow tube with inside diameter  $D_{15}$  slightly smaller than the outside diameter of drill tubes 92 or planars 84 (accordingly ten sizes of sheath 300 are required). The sheath 300 has an axial slit 301 extending its entire length. The sheath 300 has a blunt distal end 302 and a flared proximal end 304.

The sheath is slipped onto the drill tube 92 or planar 84 with end 302 extending beyond the teeth 85 or 98 (see FIG. 64A illustrating use of sheath 300 with drill tube 92). As the planar 84 or drill tube 92 are passed to an implant site the blunt end 302 covers the teeth and prevents the unwanted cutting of vessels, nerves or organs. When pressed against vertebrae, the end 302 abuts the vertebrae. With continued advancement of the tube 92 or planar 84 toward the vertebrae, the sheath 300 slides on the planar 84 or tube 92 until teeth 85,98 abut the vertebrae.

In the method of the invention, sheath 300 remains in place whenever planar 84 or drill tube 92 are used. However, for ease of illustration, sheath 300 is not shown in FIGS. 46-63A.

### 3. POSTERIOR TECHNIQUE

#### A. Surgical Approach

The present invention will first be described with reference to use in a posterior approach. In a posterior approach, a surgeon seeks access to the spine through the back of the patient. An alternative approach is an anterior approach

where the surgeon seeks access to the spine through the abdomen of a patient. The anterior approach can be done through open surgery or through laparoscopic surgery.

While a posterior approach will be described in detail, it will be appreciated that the present invention can be used in an anterior approach for both laparoscopic or non-laparoscopic procedures.

Once a surgeon has identified two vertebrae which are to be fused together, the surgeon identifies an implant of desired size and the surgeon determines the desired amount of distraction to be required between the vertebrae before placement of the implant. In selecting the implant size, the surgeon should ensure that the device will remain within the lateral borders of the intervertebral disc while also penetrating at least 3 mm into the vertebral bodies cephalad and caudal to the disc.

In the posterior technique, a patient is placed on the operating table in either a prone or kneeling-sitting position. At the discretion of the surgeon, the spine is flexed slightly. Anesthesia is administered.

Exposure of the intervertebral disc is obtained through any suitable technique well-known in the art. The facet of the vertebrae is removed in as limited amount as possible to permit insertion of the instruments and the implants. Preferably, bone dissected from the lamina, facets and spinous process are preserved for later use as bone graft.

Referring to FIG. 48, two vertebrae 210, 212 are separated by a disc 214. The disc 214 is shown in plan view in FIG. 48A. As shown in the figures, no procedure has yet been performed on the disc such that the disc 214 is in a relaxed, undistracted state.

#### B. Identifying Desired Implant Locations

After having selected the implant size, the surgeon selects the starter alignment guide assembly 36 and secures the handle 28 to the assembly 36 by threading shaft 32 into bore 42. The prongs 44, 46 of the guide 36 are placed on either side of the cauda equina such that they are at mid-disc height and equidistant from the mid-sagittal plane. The guide is pressed ventrally to make two points 44a, 46a on the disc for implant insertion as shown in FIGS. 49, 49A. The two points 44a, 46a mark right and left side desired implant location points. For the purposes of this discussion, right and left will mean with respect to the view of the back of the spine as viewed by the surgeon performing the surgery through the posterior approach.

After the starter alignment guide 36 is urged into position as shown in FIGS. 49, 49A, the handle 28 is unscrewed and removed from the guide 36. Lateral and anterior-posterior x-rays or C-arm fluoroscopy are taken of the alignment guide 36 to verify its orientation within the disc space. If the alignment guide 36 is determined to be correctly positioned, it is removed from the disc space by reattaching handle 28 and pulling the guide 36 out. A limited discectomy is performed through the two openings 44a, 46a in the disc to permit insertion of a distraction plug 54.

#### C. Left Side Distraction

Once the left and right side desired implant locations are identified by placement of the starter alignment guide 36, and after the guide 36 is removed, the surgeon selects a side (i.e., left or right) in which to initiate the distraction procedure. Beginning with the left side for purposes of example, the distraction plug inserter 48 is secured to a distraction plug 54 by threading end 52 into bore 62. The distraction plug 54 is forced into the disc space at the indent 46a made at the left side of the vertebrae by the prong 46 (see FIGS. 50 and 50A). The size of distraction plug 54 is selected to distract the annulus fibrosus without causing damage to the surrounding



## 11

vertebral bone, annular fibers or spinal nerves. Accordingly, it is recommended the surgeon initially insert a relatively small plug 54 (for example, 8 mm) followed by successively larger plugs until the annulus is distracted to the surgeon's satisfaction. Once the correct maximum size distraction plug 54 has been chosen, it is left in place and the handle 48 removed as shown in FIGS. 51 and 51A. The disc 214 has now been stretched so that a parallel distraction of the opposing end plates 210', 212' of the vertebrae 210, 212 has occurred on both the left and right sides. The distraction plug 54 is fully inserted such that it is either flush or slightly recessed within the disc space.

In performing the procedures of the present method, the surgeon takes care to retract the cauda equina and nerve roots from the area being prepared for the drill 92 as will be described. To this end, the distraction plug 54 is placed recessed. As a result, the cauda can be moved over into the region of the distractor plug 54 without the distractor plug 54 damaging the cauda equina.

## D. Right Side Alignment

Once the distraction plug 54 is inserted as shown in FIGS. 51, 51A, the surgeon proceeds to the right side location 44a. The vertebral reamer guide pin 64 is secured to the drill tube guide 72 by threading the shaft 70 within the bore 80. The guide pin 64 selected is preferably the same diameter as the final distraction plug 54 left in place within the disc space on the left side. As a result, upon insertion of the guide pin 64 as shown in FIGS. 52, 52A, the guide pin 64 abuts the opposing end plates 210', 212' of the vertebrae 210, 212 as does plug 54. The axis of pin 64 is equidistant from the end plates 210', 212'.

## E. Planing Vertebral Surface

The surface of the vertebrae 210, 212 against which tools are to be placed should be smooth with the surface of the two vertebrae 210, 212 aligned. Frequently, this condition will not naturally exist. Therefore, the vertebrae 210, 212 must be pre-planed to a flat surface.

If planing is deemed necessary by the surgeon, the drill tube planar 84 is passed over the drill tube guide 72 with the rasp end 88 abutting the disc material 214 and vertebrae 210, 212 or tissue (not shown) on the vertebrae as shown in FIG. 53, 53A. The interior diameter of the planar 84 is selected to have a close tolerance with the exterior diameter of the drill tube guide 72. As a result, the planar 84 can rotate on the drill tube guide 72 and move axially relative thereto but cannot move laterally relative to the tube guide 72. The surgeon rotates the planar 84 to rasp a planed flat surface on the vertebrae. The rasping will provide a smooth surface for placing of the drill tube as will be described. For purposes of illustration, the rasp end 88 is shown deeply received with the vertebrae after rasping.

The drill tube guide 72 prevents planar 84 from excessive axially movement. Namely, when planar 84 is fully advanced, surface 87 abuts surface 83 signalling completion of the rasping operation.

## F. Fixing Right Side Alignment

After the surface of the vertebrae has been planed smooth, the planar 84 is removed and the appropriately sized drill tube 92 is passed over the drill tube guide 72 (see FIGS. 54, 54A). The teeth 98 of the drill tube 92 are secured to the posterior vertebral bodies using the drill tube inserter cap 100 to pound the teeth 98 into the vertebral bodies 210, 212. The drill tube guide 72 and the vertebral reamer guide plug 64 are then removed from the drill tube 92 leaving the drill tube 92 in place and with the teeth 98 thereby retaining the vertebral bodies in the distracted state. To remove the guide 72, handle

## 12

18 is attached to guide 72 by threading stud 204 into bore 84. The surgeon uses the slap hammer 192 to remove the guide and handle assembly.

FIG. 64 illustrates use of the cap 100 to advance teeth 98 into the vertebrae 210, 212. As shown, the drill tube guide 72 is longer than drill tube 92. With teeth 98 aligned with end 78, end 83 protrudes beyond flange 99. The cap 100 is positioned as shown in FIG. 22A. The cap is sized for the distance, X, between surfaces 83, 103 to be about 3 mm when teeth 98 are flush with end 78. Pounding on surface 104, teeth 98 are driven in 3 mm until surface 103 stops against surface 83. The flats 97 of the teeth 98 prevent further advancement of the drill tube 92 into the bone.

The drill tube 92 has an inside diameter approximate to the outside diameter of the drill tube guide 72. Accordingly, the drill tube guide 72 accurately places the drill tube 92 in proper alignment. In this alignment, the tube 92 has its axis equidistant from the end plates 210', 212' of vertebrae 210, 212. Since all insertion tools and tubes of the kit have lengths sized off of the drill tube guide 72, the guide 72' insures that a final desired depth of implant penetration is attained.

## G. Placement of Drill Tube Sleeve

With the drill tube guide 72 and the vertebral reamer guide plug 64 removed from the drill tube 92, a drill tube sleeve 106 is placed in the drill tube with the top end 110 abutting the top end 99 of the drill tube 92. As shown in FIGS. 55, 55A, when the sleeve is fully inserted, its flared end 110 abuts the flared end of the drill tube.

## H. Pre-Boring of Implant Bore

The vertebral reamer guide pin 64 is then threaded on to the starter vertebral reamer 112. The guide pin 64 used is the same pin 64 previously used on the drill tube guide 72. The cavity 65 (FIG. 55) left after removal of the pin 64 (described in step G, above) receives the pin 64/reamer 112 assembly to guide the reamer 112 such that the reamer 112 cuts equal amounts of bone from both vertebrae 210, 212.

The starter vertebral reamer 112 is inserted into the drill tube sleeve 106 and then a bore is partially reamed until a shoulder 122 on the reamer 112 abuts the drill tube sleeve 106 as shown in FIGS. 56, 56A. The hand driver 136 (FIG. 46) is used to turn reamer 112. However, for ease of illustration, the driver 136 is not shown in FIGS. 56, 56A. The reamer 112 and the drill tube sleeve 106 are then removed from the drill tube 92 (see FIGS. 57, 57A) exposing a pre-drilled bore 200 with a diameter equal to the minor outside diameter  $D_m$  of implant 10.

## I. Final Reaming

The preparation of the implant bore is then completed by inserting the final vertebral reamer 126 into the drill tube 92 (FIGS. 58, 58A). The reamer 126 is rotated with driver 136 (not shown in FIG. 46) until the shoulder 132 on the reamer 126 meets the flared end of the drill tube 92 to thereby provide a positive stop.

Since bore 200 is pre-drilled, a drill sleeve 106 is not required for final drilling since the bore 200 initially guides final reamer 126. This provides greater clearance and ease of operation of final reamer 126. The final reamer 126 is removed leaving a fully drilled implant receiving bore 220 with a diameter equal to the minor outside diameter  $D_m$  of implant 10 (see FIGS. 59 and 59A).

In the foregoing, the reader will note that the lengths of the various drill tubes, drill tube sleeves and reamers are selected such that the flared ends provide accurate depth of reaming between the vertebral bodies. Also, the reader will note that both vertebrae 210, 212 are equally drilled. Additionally, the reader will note the pre-boring of step H, above, ensures the



## 13

final bore 220 is cut parallel to end plates 210',212' and equally cut into both vertebrae 210,212.

## J. Bone Tap

In the event a threaded implant is used (as is the case in the preferred embodiment), a bone tap 142 is passed through the drill tube 92 and rotated to partially pre-tap the bore 210. The tap is introduced until the stop 158 on the handle abuts the top of the drill tube 92 as shown in FIGS. 60, 60A.

The tap is then removed to expose a partially tapped, fully bored implant bore 300 with the drill tube 92 remaining in place (see FIGS. 61 and 61A).

## K. Placing Implant

The front chamber 16 of the implant 10 is packed with bone graft. The graft may be autograft obtained previously from the iliac crest or some other graft material (e.g., allograft or artificial bone). The implant 10 is attached to the implant driver 164 by placing the hub 188 within the slot 24 and securing the implant with collet 171 (not shown in FIGS. 62, 62A). The implant 10 is then passed into the drill tube 92 (FIGS. 62, 62A). The implant 10 is threaded into the bore 300 with implant driver 168 by the surgeon rotating the driver 168 and advancing it into the tube 92 until the driver stop 176 contacts the top of the drill tube 92.

It is desirable that the large holes 21 of the implant are oriented in a superior-inferior direction (i.e., the large holes are facing the vertebrae). This orientation is guaranteed by orienting the slots 180 in the implant driver 168 to be vertical.

After the implant 10 is fully in place (recessed into bore 300), the implant driver 168 and the drill tube 92 are removed from the right-side hole (see FIGS. 63 and 63A). Simply pulling on driver 164 releases the implant 10 from the collet 171.

At this point in the procedure, it is recommended that the surgeon obtain a lateral radiograph or C-arm fluoroscopy to verify the positioning of the implant 10 within the intervertebral space. If proper positioning has been obtained, the back chamber 17 of the implant 10 is packed with bone graft. Alternative to the above, the drill tube 92 may be left in place with the graft inserted to chamber 17 through tube 92. If removed, tube 92 is repositioned after chamber 17 is filled. The polyethylene endcap 26 is attached to the end of the implant 10 with the endcap inserter 180 by passing the endcap through the drill tube 92.

At this stage in the procedure, the right side implant is fully inserted.

The reader will note in placing the implant 10, the movement of driver 164 is limited by stop 176. If a smaller implant 10 is used (and hence a smaller diameter drill tube 92), the movement is stopped by surface 174 or 176 (see FIG. 43).

## L. Left Implant and Closure

The surgeon returns to the left side and removes the distraction plug 54 by threading the handle 48 into the distraction plug 54 and pulling it out using slap hammer 192. If, for any reason, the threaded stud 52 on handle 48 were to break, the reduced diameter portion 55 of plug 54 permits a surgeon to pull on flange 57 to remove plug 54.

The left side is now prepared for receiving an implant in a manner identical to that described above for the right disc space with the procedures identified in FIGS. 52 through 63A.

After the right and left implant are fully inserted, it is recommended that a lateral radiograph be taken of the implants. Assuming proper positioning, bone graft is impacted between and surrounding the implants to better facilitate fusion. The wound is closed.

## 14

## 4. OTHER SURGICAL PROCEDURES

The foregoing procedure illustrates the method of the present invention with respect to a posterior approach. However, the identical procedure can be used with an anterior approach. Also, those skilled in the art will note that the present procedure is readily adaptable to a laparoscopic approach. Through placement of a cannula (not shown) in a laparoscopic approach, all the procedures can be performed through the cannula with the various tubes and sleeves described above passed through the cannula and accurately placed.

All of the foregoing tools of the kit of the invention can be passed through a cannula except for alignment guide assembly 36. Instead of using assembly 36 in a laparoscopic approach, the implant sites can be marked through any other suitable technique or a collapsible alignment guide assembly can be provided to pass through a cannula.

In addition to the above, the method and tools of the invention can be used with a single implant (either a threaded implant 10, a non-threaded implant or a bone or any other implant). In this method, the plug 54 is inserted at a desired site. The plug 54 is then removed and the pin 64 inserted into the same site using the guide 72. All procedures described above are then used to form an implant receiving bore.

From the foregoing detailed description of the present invention, it has been shown how the objects of the invention have been obtained in the preferred manner. However, modifications and equivalents of the disclosed concepts such as those which would occur to one of ordinary skill in the art, are intended to be included within the scope of the present invention.

What is claimed is:

1. A surgical method for implanting at least two spinal fusion implants into a disc space of disc material separating a first and second vertebrae, said disc space and first and second vertebrae divisible into first and second sides separated by a sagittal plane, said method comprising the steps of:

- (a) inserting a *first* rigid distraction spacer into [said] a *non-distracted* disc space at a desired first implant location on said first side with said first distraction spacer sized for external surfaces of said first distraction spacer to act against first and second end plates of said first and second vertebrae, respectively, to urge said first and second vertebrae apart upon said insertion, *thereby distracting said first and second vertebrae*, said spacer *fully* inserted [for said spacer] *so as to be completely recessed* within said *disc* space [so as not to substantially protrude beyond said space] *within the perimeter of said first and second end plates*;
- (b) placing a guide at said second side while maintaining distraction at said first implant location with said distraction spacer and with said guide adapted to direct tools axially through an axis parallel to and equidistant between opposing end plates of said first and second vertebrae;
- (c) forming a second implant bore at a desired second implant location by removing bone material from said first and second vertebrae and by removing disc material at said second implant location with said second implant bore sized to receive said second implant, said forming of said second bore utilizing at least a first boring tool guided by said guide;
- (d) implanting said second implant into said second implant bore;
- (e) removing *said* first distraction spacer and applying a guide to said first side;



## 15

(f) forming a first implant bore at said desired first location by removing bone material from said first and second vertebrae and by removing disc material at said first implant location with said first bore sized to receive said first implant, said forming of said first bore utilizing at least a first boring tool guided by said guide at said first side; and

(g) implanting said first implant into said first implant bore.

2. A method according to claim 1 wherein said step of placing a guide at said second side includes:

(a) providing a guide tube having an open first end and an open second end with attachment means on said first end for securing said first end to said first and second vertebrae; and

(b) placing said first end against said first and second vertebrae with said guide tube aligned with said second implant location.

3. A method according to claim 2 wherein said step of forming said second bore includes inserting a boring tool into said guide tube with said boring tool sized to form said second implant bore and operating said boring tool to bore into and remove said bone material while guiding said boring tool with said guide tube.

4. A method according to claim 2 wherein said implant is inserted through said guide tube.

5. A method [wherein] according to claim 1 wherein said step of applying said guide to said first side includes:

(a) providing a guide tube having an open first end and an open second end with attachment means on said first end for securing said first end to said first and second vertebrae; and

(b) urging said *first* end against said first and second vertebrae with said guide tube aligned with said first implant location.

6. A method according to claim 1 wherein said step of placing said guide at said second side [includes] *comprises*:

inserting a guide pin into said disc space at said second implant location with the guide pin selected to be of a size approximate to a size of said distraction spacer;

providing a guide tube having an open first end and an open second end with attachment means on said first end for securing said first end to said first and second vertebrae; and

urging said first end against said first and second vertebrae with said tube aligned by said guide pin to be in alignment with said second implant location.

7. A method according to claim 6 wherein said step of forming said second implant bore includes removing said guide pin through said guide tube after said urging of said first end against said first and second vertebrae and inserting a boring tool into said guide tube with said boring tool sized to form said second implant bore and operating said boring tool to bore into and remove said bone material while guiding said boring tool with said guide tube.

8. A method according to claim 6 wherein a guide pin of a size substantially equal to said guide pin used to align said guide tube is secured to a boring tool to prebore said second implant bore with said tool and attached guide pin inserted into said guide tube and operated to partially bore into said vertebrae to a desired depth.

9. A method according to claim 6 comprising providing a tube guide attached to said guide pin and passing said guide tube over said tube guide to place said tube against said vertebrae in a desired position with said tube guide aligning said guide tube.

10. A method according to claim 8 wherein said desired depth is less than a finished depth, removing said boring tool

## 16

and attached guide pin through said guide tube and inserting a finish boring tool into said guide tube and operating said finish boring tool to finally bore form a finished bore between said vertebrae.

11. A method according to claim 1 wherein said distraction spacer is inserted into said desired first implant location to a depth sufficient to move a patient's anatomical features toward said first implant location without interference from said distraction spacer.

12. A surgical method for implanting at least two spinal fusion implants into a disc space of disc material separating a first and second vertebrae, said disc space and first and second vertebrae divisible into first and second sides divided by a sagittal plane; said method comprising the steps of:

(a) placing a distraction spacer between [said] *undistracted* vertebrae, *said spacer fully inserted so as to be completely recessed within said disc space within the perimeter of first and second end plates of said first and second vertebrae, respectively*, at [one of] said [sides] *first side* with said distraction spacer having a fixed size for external surfaces of said distraction spacer acting against *said* first and second end plates [of said first and second vertebrae, respectively,] to distract said vertebrae as said distraction spacer is inserted into said disc space;

(b) forming a first implant receiving bore in the [other of said sides] *second side* while retaining said distraction [plug] *spacer* in place at said [one of said sides] *first side*, said forming including using a guide pin having external surfaces spaced apart substantially equal to a spacing of said external surfaces of said distraction spacer to place a guide at said [other of said sides] *second side* to guide a boring tool along an axis parallel to and equally spaced from end plates of said vertebrae, said forming further including inserting said guide pin into said disc space with said external surfaces of said guide pin guided by said end plates for said guide pin to be centrally positioned between said vertebrae and with an axis of said guide pin substantially parallel to said end plates; and

(c) *inserting a first implant into said first bore and removing said distraction spacer and forming a second finished bore in said first side sized to receive a second implant and placing said second implant in said second bore.*

[13. A method according to claim 12 comprising inserting a first implant into said first bore and removing said distraction spacer and forming a second finished bore in said one of said sides sized to receive a second implant and placing said second implant in said second bore.]

14. A method according to claim [13] 12 wherein said bores are formed on a posterior side of said vertebrae.

15. A method according to claim [13] 12 wherein said bores are formed on an anterior side of said vertebrae.

16. A method according to claim [13] 12 wherein said bores are formed laparoscopically.

17. A method according to claim 12 wherein said distraction spacer is placed between said vertebrae to a depth sufficient to move a patient's anatomical features toward a location of insertion of said distraction spacer without interference from distraction spacer.

18. A method for implanting a spinal fusion implant into a disc space of disc material separating opposing end plates of a first and second vertebrae, said method comprising the steps of:

(a) securing a guide pin to a drill tube guide of predetermined dimensions with said guide pin sized approximate to a desired distraction of said vertebrae and inserting said guide pin into said disc space with external



17

surfaces of said guide pin guided by said end plates for said guide pin to be centrally positioned between said vertebrae and with an axis of said guide pin substantially parallel to said end plates;

- (b) placing a guide tube over said drill tube guide and securing said guide tube to said first and second vertebrae;
- (c) removing said guide pin and said drill tube guide through said guide tube while retaining said guide tube secured to said first and second vertebrae;
- (d) *attaching said guide pin to a first boring tool for movement therewith;*
- (e) boring an implant bore between said first and second vertebrae by inserting [a] *the first boring tool and attached guide pin* into said guide tube, [said boring including providing a boring tool with a guide pin, sized substantially equally to said guide pin secured to said drill tube guide, secured to said boring tool for movement therewith] and at least partially boring said *implant bore to a first depth, said first depth being less than that required for fully implanting the implant*, with said guide pin guiding said boring tool between said vertebrae; and
- (f) *removing said boring tool and attached guide pin and inserting a second boring tool to bore said bore to a second depth.*

19. A surgical method for implanting a spinal fusion implant into a disc space of disc material separating opposing end plates of a first and a second vertebrae, said method comprising the steps of:

at least partially forming a bore for receiving said implant by inserting a boring tool into said disc space and rotating said *boring* tool to at least partially bore into each of said first and second vertebrae, said forming including [providing] *attaching a guide [on] pin* to a distal end of said boring tool with said guide *pin* having a *cutting tip for removing disc material and a guide body, said guide body including* diametrically opposite external surfaces spaced apart a distance equal to a desired distraction of said vertebrae, said guide *pin* secured to said boring tool for movement therewith, said forming further including inserting said guide *pin* between said end plates with said end plates guiding said external surfaces to retain said guide *pin* centrally positioned between said end plates and with an axis of said guide *pin* generally parallel to said end plates, said forming still further including advancing said boring tool into said disc [spacing] *space to a first depth, said first depth being less than that required for fully implanting the implant*, with said guide *pin* maintaining an axis of said boring tool generally coaxial with [-] said axis of said guide *pin*.

18

20. A surgical method for implanting a spinal fusion implant into a disc space [for] *of* disc material separating opposing end plates of a first and second vertebrae, said method comprising the steps of:

- 5 providing a guide tool having external dimensions sized to be received within a guide tube and having a guide pin on a distal end of said guide tool with said guide pin having *at least one cutting surface for removing disc material, the guide pin having* external surfaces spaced apart approximate to [said] *a* desired distraction;
- 10 inserting said guide pin into said disc space with said end plates guiding said external surfaces for said end plates to retain an axis of said guide pin and said guide tool generally parallel to and centrally received between said vertebrae and with said vertebrae distracted at least after insertion of said tool;
- 15 providing said guide tube with teeth on a distal end thereof and placing said guide tube over said guide tool with said teeth opposing said vertebrae and with said guide tool maintaining an axis of said guide tube generally parallel to and centrally received between said vertebrae;
- 20 urging said guide tube distal end against said vertebrae for said teeth to penetrate into said vertebrae;
- 25 placing a protective sleeve over an exterior of said guide tube before urging said guide tube distal end against said vertebrae with said sleeve sized to move slidably on said guide tube in a direction generally parallel to said axis of said guide tube and with said sleeve having a blunt distal end extending beyond and [cover] *covering* said teeth;
- 30 said urging including said blunt distal end against said vertebrae and urging said teeth into said vertebrae whereby said blunt distal end covers said teeth and abuts said vertebrae until said teeth penetrate into said vertebrae; and
- 35 removing said guide pin and said guide tool through said guide tube.

21. *A method according to claim 19 wherein attaching said guide pin includes attaching said guide pin having a cylindrical body that defines a reduced diameter as compared to the boring tool.*

22. *A method according to claim 19 wherein attaching said guide pin includes attaching said guide pin having attachment structure for detachably securing said guide pin to said distal end of said boring tool, and further including securing said guide pin to said distal end of said boring tool.*

23. *A method according to 22 wherein said attachment structure includes a threaded connection, and securing said guide pin includes threading said guide pin to said distal end of said boring tool.*

\* \* \* \* \*