

US00RE42722E

(19) **United States**  
(12) **Reissued Patent**  
**Godfrey**

(10) **Patent Number:** **US RE42,722 E**  
(45) **Date of Reissued Patent:** **Sep. 20, 2011**

(54) **MULTI-PROTOCOL INTERCHIP INTERFACE**

(75) Inventor: **Timothy Gordon Godfrey**, Overland Park, KS (US)

(73) Assignee: **Xocyst Transfer AG L.L.C.**, Wilmington, DE (US)

(21) Appl. No.: **12/777,908**

(22) Filed: **May 11, 2010**

**Related U.S. Patent Documents**

Reissue of:

(64) Patent No.: **7,373,172**  
Issued: **May 13, 2008**  
Appl. No.: **11/429,556**  
Filed: **May 5, 2006**

U.S. Applications:

(63) Continuation of application No. 10/444,383, filed on May 23, 2003, now Pat. No. 7,072,616.  
(60) Provisional application No. 60/411,848, filed on Sep. 18, 2002, provisional application No. 60/409,356, filed on Sep. 9, 2002.

(51) **Int. Cl.**  
**H04M 1/00** (2006.01)  
(52) **U.S. Cl.** ..... **455/552.1; 455/562.1; 455/41.2; 455/13.3; 455/78**  
(58) **Field of Classification Search** ..... **455/552.1, 455/562.1, 41.2, 450, 454, 511, 13.3, 78, 455/83**

See application file for complete search history.

(56) **References Cited**

**U.S. PATENT DOCUMENTS**

5,867,295 A \* 2/1999 Betts ..... 398/194  
6,225,865 B1 \* 5/2001 Muterspaugh ..... 330/51  
6,246,886 B1 \* 6/2001 Oliva ..... 455/426.1  
6,560,443 B1 \* 5/2003 Vaisanen et al. .... 455/73

6,704,346 B1 3/2004 Mansfield  
6,842,607 B2 \* 1/2005 Godfrey et al. .... 455/41.2  
6,895,255 B1 \* 5/2005 Bridgelall ..... 455/552.1  
7,085,535 B2 \* 8/2006 Goto et al. .... 455/63.1  
2001/0010689 A1 8/2001 Awater et al.  
2002/0003792 A1 1/2002 Schmidl et al.  
2002/0018458 A1 2/2002 Aiello et al.  
2002/0051200 A1 5/2002 Chang et al.  
2002/0055984 A1 5/2002 Chang et al.  
2002/0142779 A1 \* 10/2002 Goto et al. .... 455/450  
2002/0150147 A1 10/2002 Liang  
2002/0197984 A1 \* 12/2002 Monin et al. .... 455/419  
2004/0008756 A1 1/2004 Haartsen  
2004/0204037 A1 \* 10/2004 He et al. .... 455/553.1

(Continued)

**FOREIGN PATENT DOCUMENTS**

WO WO-01/80030 10/2001

(Continued)

**OTHER PUBLICATIONS**

Chiasserini and Rao, "Coexistence Mechanisms for Interference Mitigation Between IEEE 802.11 WLANs and Bluetooth," IEEE Infocomm 2002, pp. 590-598.

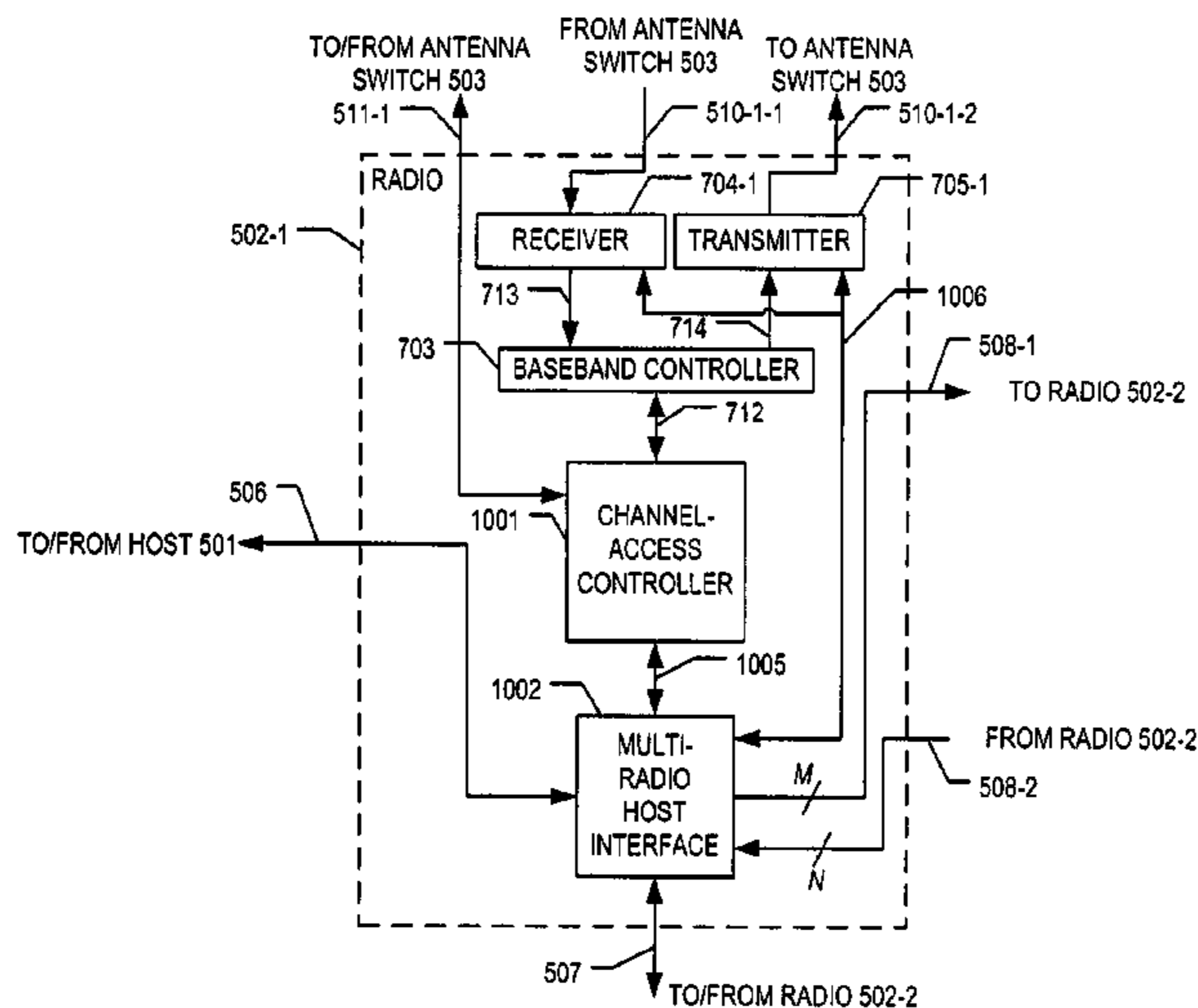
(Continued)

*Primary Examiner* — Minh D Dao

(57) **ABSTRACT**

An interface between radios supporting different air interfaces is disclosed that avoids some of the costs and disadvantages associated with inter-radio interfaces in the prior art. The present invention enables the needed coordination across multiple wireless protocols, such as 802.11 and Bluetooth, by providing a communication link spanning different integrated circuits when each radio is on a separate integrated circuit. This low cost, low complexity link can be added to standard integrated circuits produced by individual companies without adding appreciably to the overall cost of the integrated circuits.

**45 Claims, 10 Drawing Sheets**



U.S. PATENT DOCUMENTS

2005/0176122 A1 8/2005 Lihme et al.  
2005/0192048 A1\* 9/2005 Bridgelall ..... 455/553.1  
2005/0215284 A1\* 9/2005 Su et al. .... 455/556.2  
2006/0030265 A1\* 2/2006 Desai et al. .... 455/41.2  
2007/0018895 A1\* 1/2007 Bolin ..... 343/702  
2009/0258607 A1\* 10/2009 Beninghaus et al. .... 455/77

FOREIGN PATENT DOCUMENTS

WO WO-01/84789 11/2001  
WO WO-02/11019 2/2002

OTHER PUBLICATIONS

Golmie, N., "Non-Collaborative MAC Mechanisms," IEEE P802.15 Working Group for Wireless Personal Area Networks (WPANs), Jun. 25, 2001, pp. 1-9.  
International Preliminary Examination Report for PCT/US2003/028143, completed Dec. 19, 2006.  
International Preliminary Examination Report for PCT/US2003/028327, completed Mar. 17, 2005.  
International Search Report for PCT/US2003/028143, mailed Jun. 7, 2004.

International Search Report for PCT/US2003/028327, mailed Jul. 8, 2004.

Kammerman, Coexistence Between Bluetooth and IEEE 802.11 CCK Solutions to Avoid Mutual Interference, IEEE P802.11 Wireless LANs, Jul. 2000, pp. 1-7.

Lansford, J. et al., "TG2 Mobilian Draft Text," IEEE P802.15 Working Group for Wireless Personal Area Networks (WPANs), Jul. 5, 2001, pp. 1-19.

Shellhammer, S., "IEEE 802.15.2 Clause 14.1 Collaborative coexistence mechanism," IEEE P802.15 Working Group for Wireless Personal Area Networks (WPANs), Jul. 9, 2001, pp. 1-4.

Treister, B et al., "Overview of coexistence mechanisms," IEEE P802.15 Working Group for Wireless Personal Area Networks (WPANs), Jun. 15, 2001, pp. 1-4.

Treister, B. et al., "Clause 14.3 Adaptive Frequency Hopping," IEEE P802.15 Working Group for Wireless Personal Area Networks (WPANs), Jul. 13, 2001, pp. 1B-26B.

Van Dyck, R.E., "IEEE 802.15.2 Clause 14.1 Collaborative co-located coexistence mechanism," IEEE P802.15 Working Group for Wireless Personal Area Networks (WPANs), Jul. 6, 2001, pp. 1-7.

\* cited by examiner

FIG. 1  
(PRIOR ART)

WIRELESS  
COMMUNICATION  
SYSTEM 100

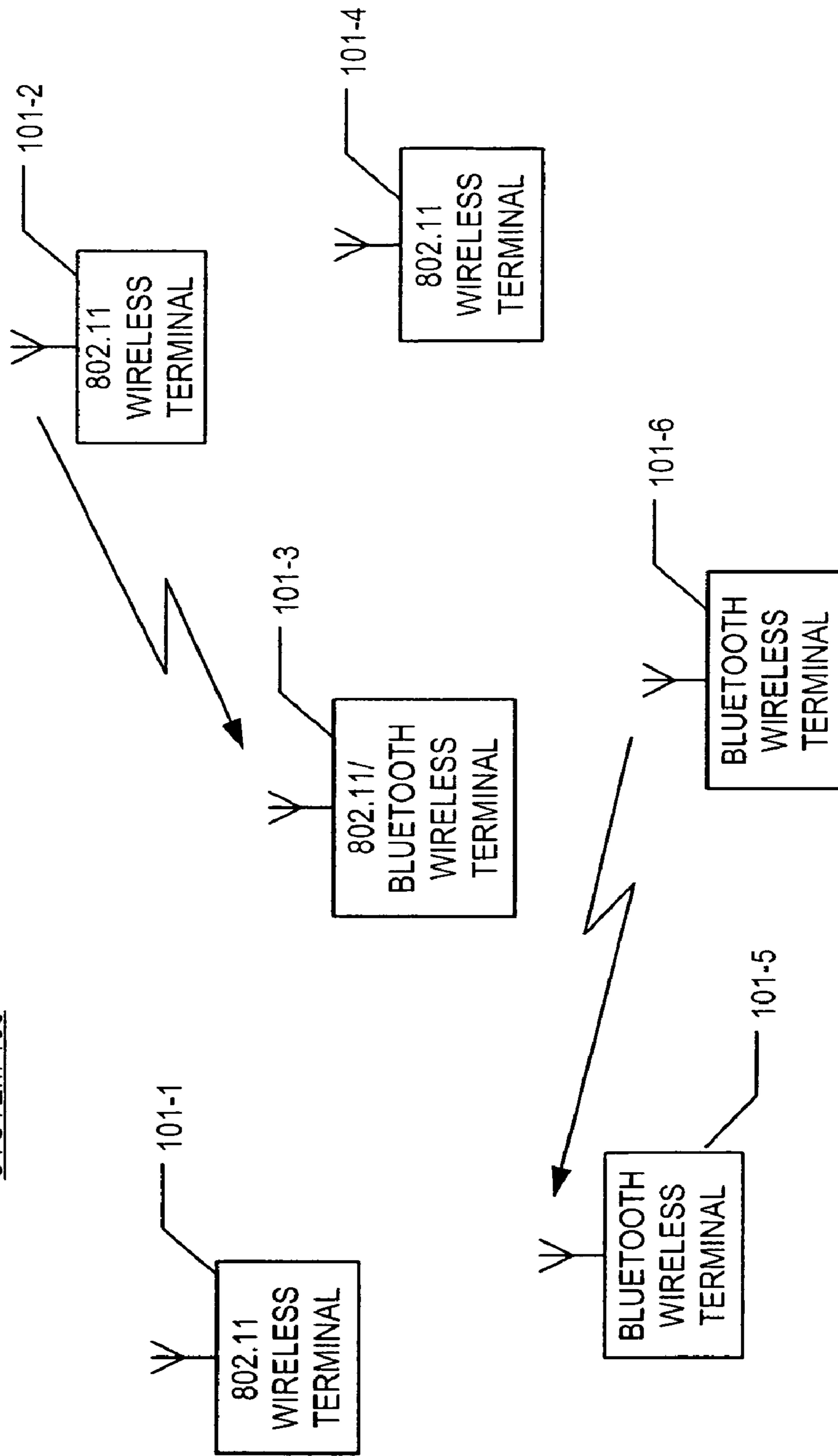


FIG. 2  
(PRIOR ART)

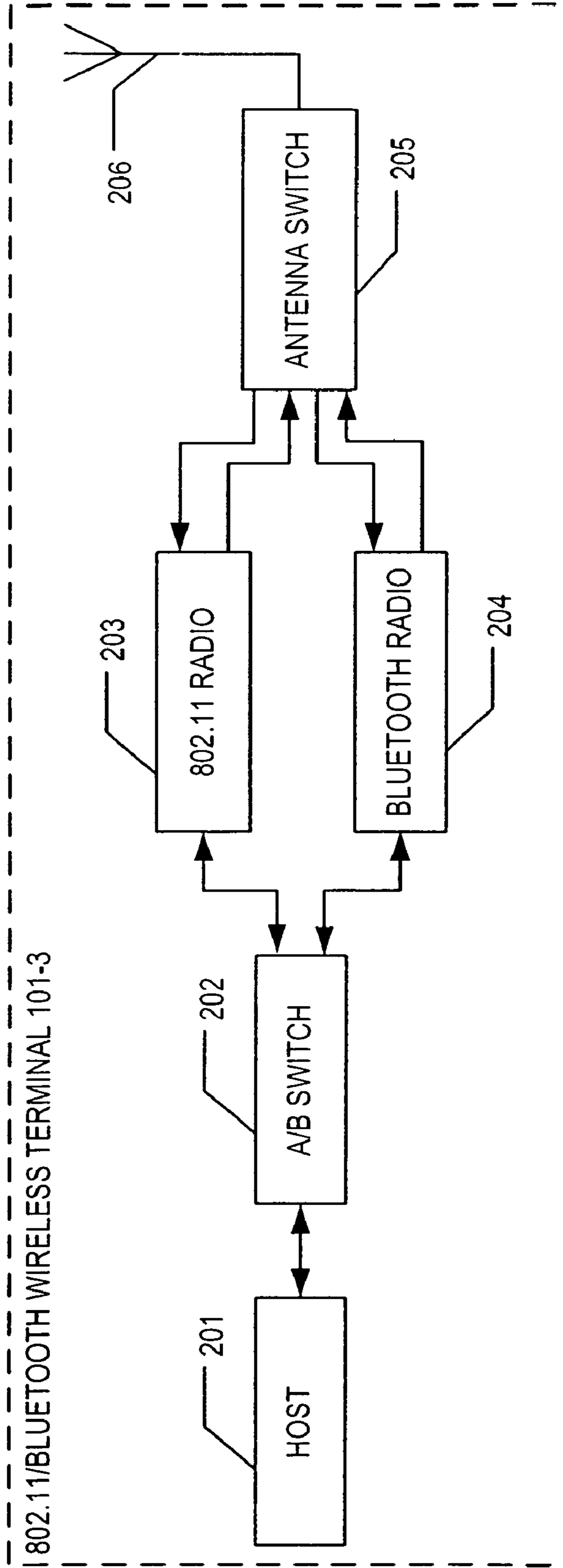


FIG. 3  
(PRIOR ART)

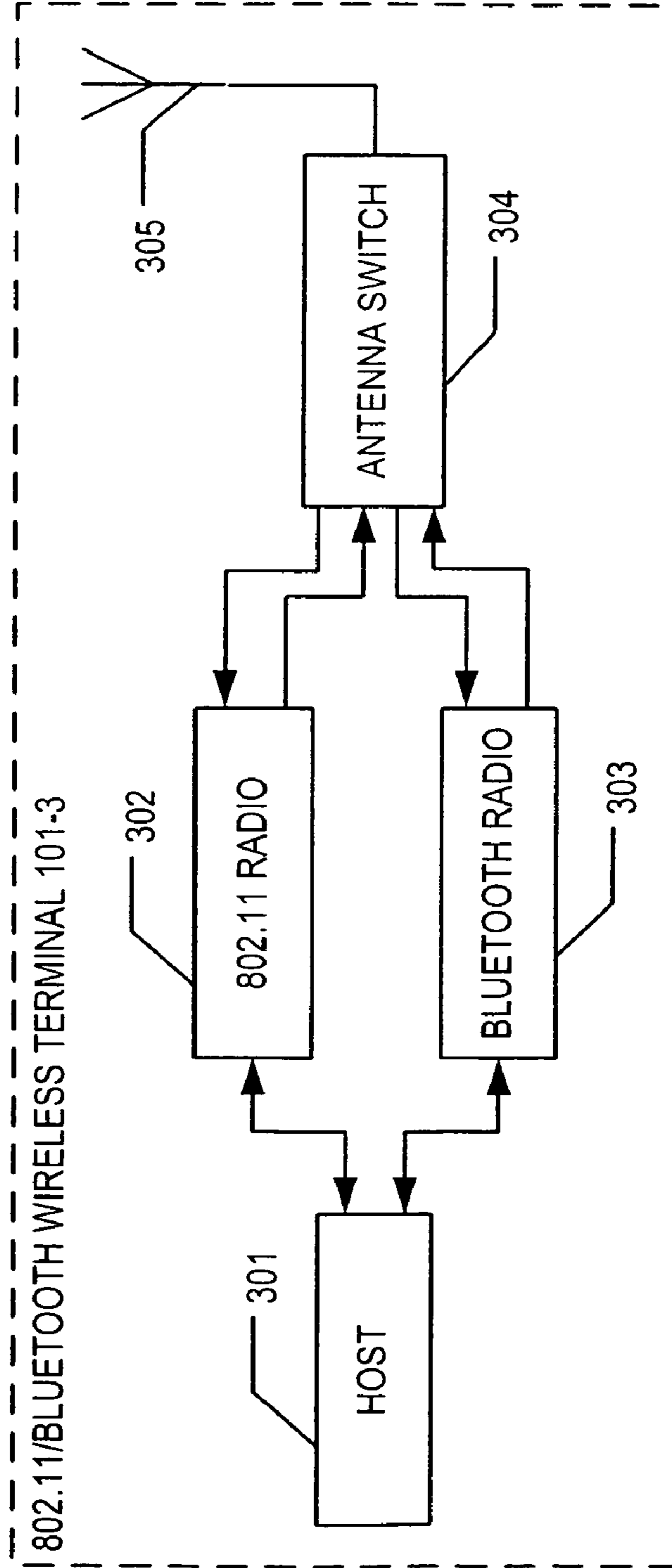


FIG. 4  
(PRIOR ART)

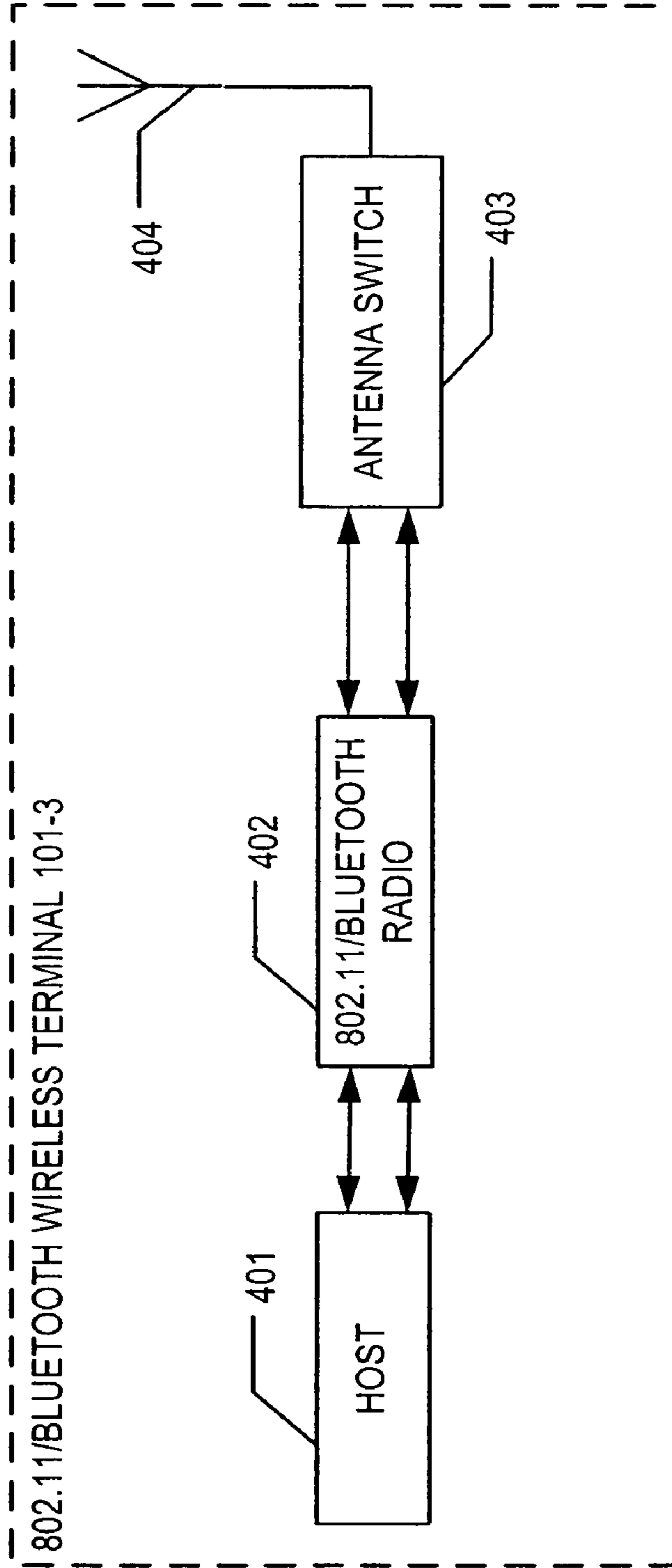


FIG. 5

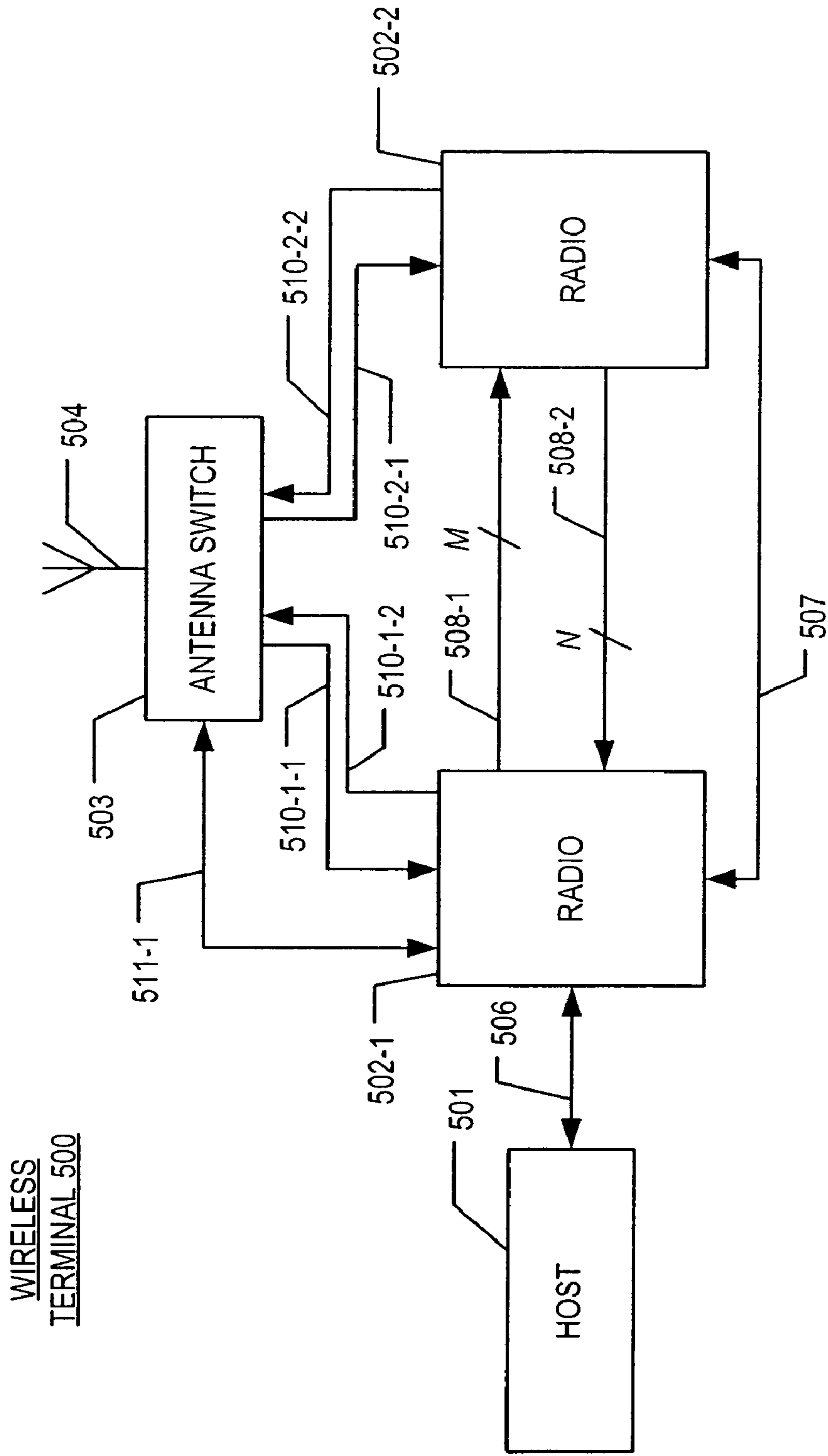


FIG. 6

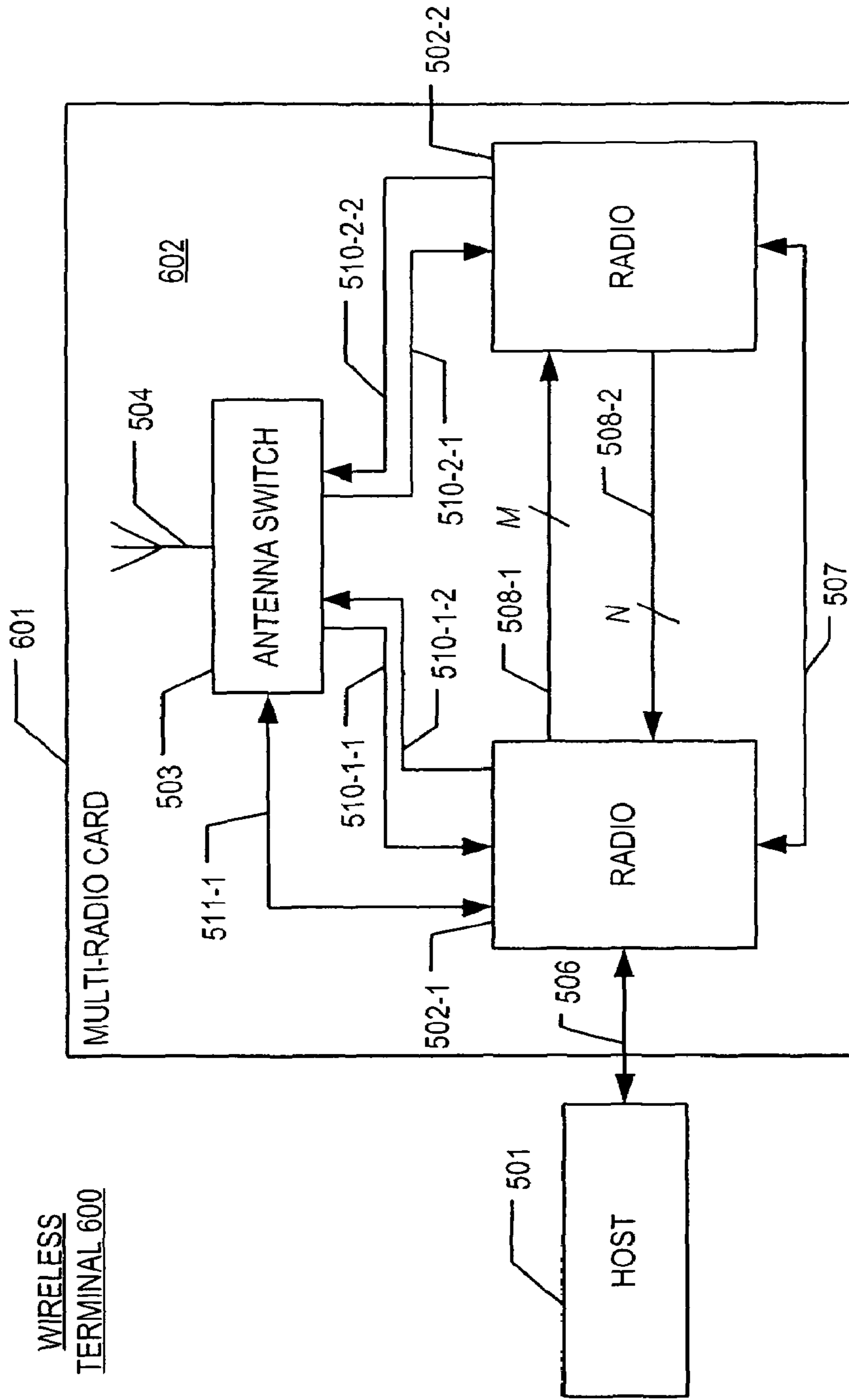




FIG. 7

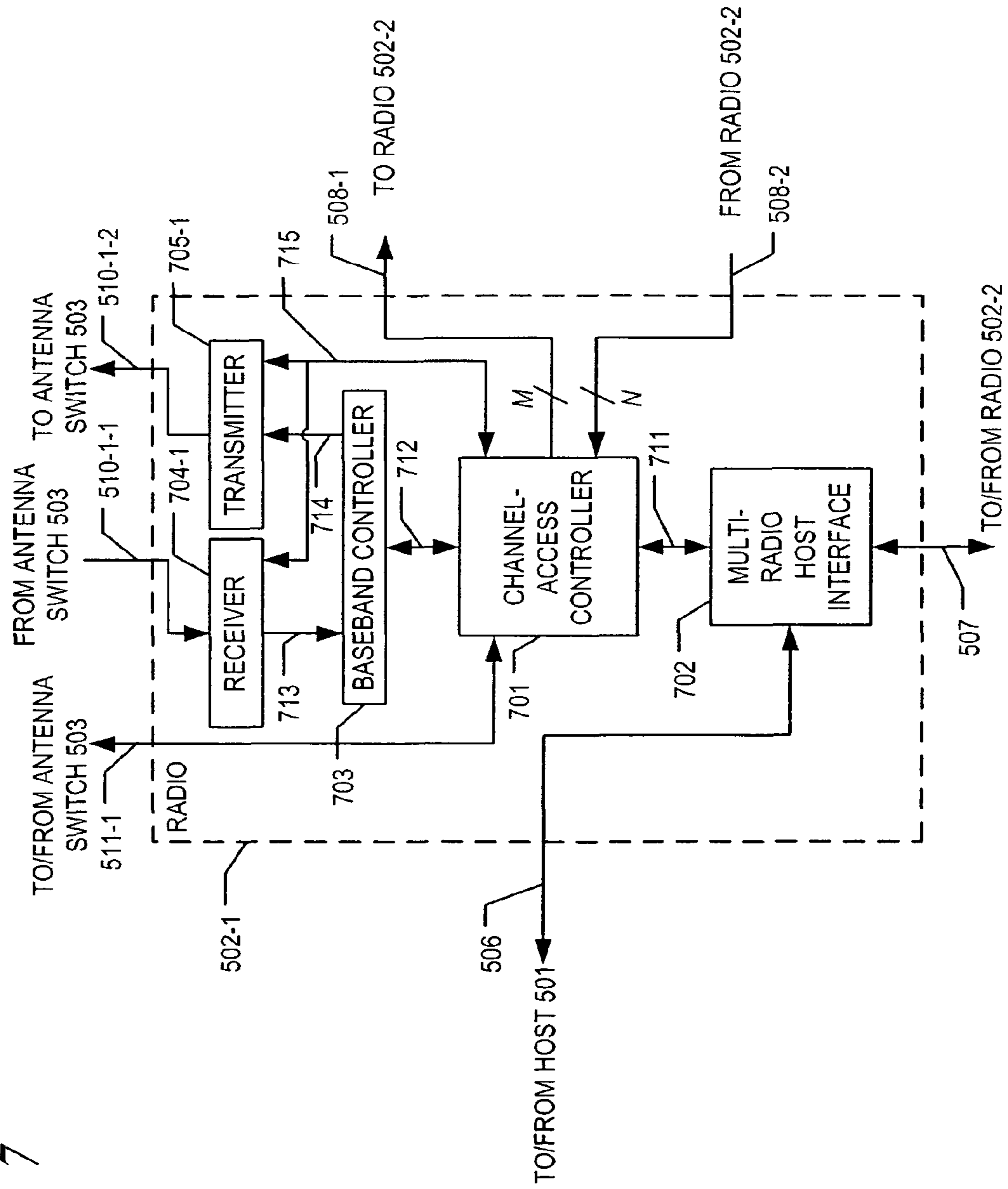


FIG. 8

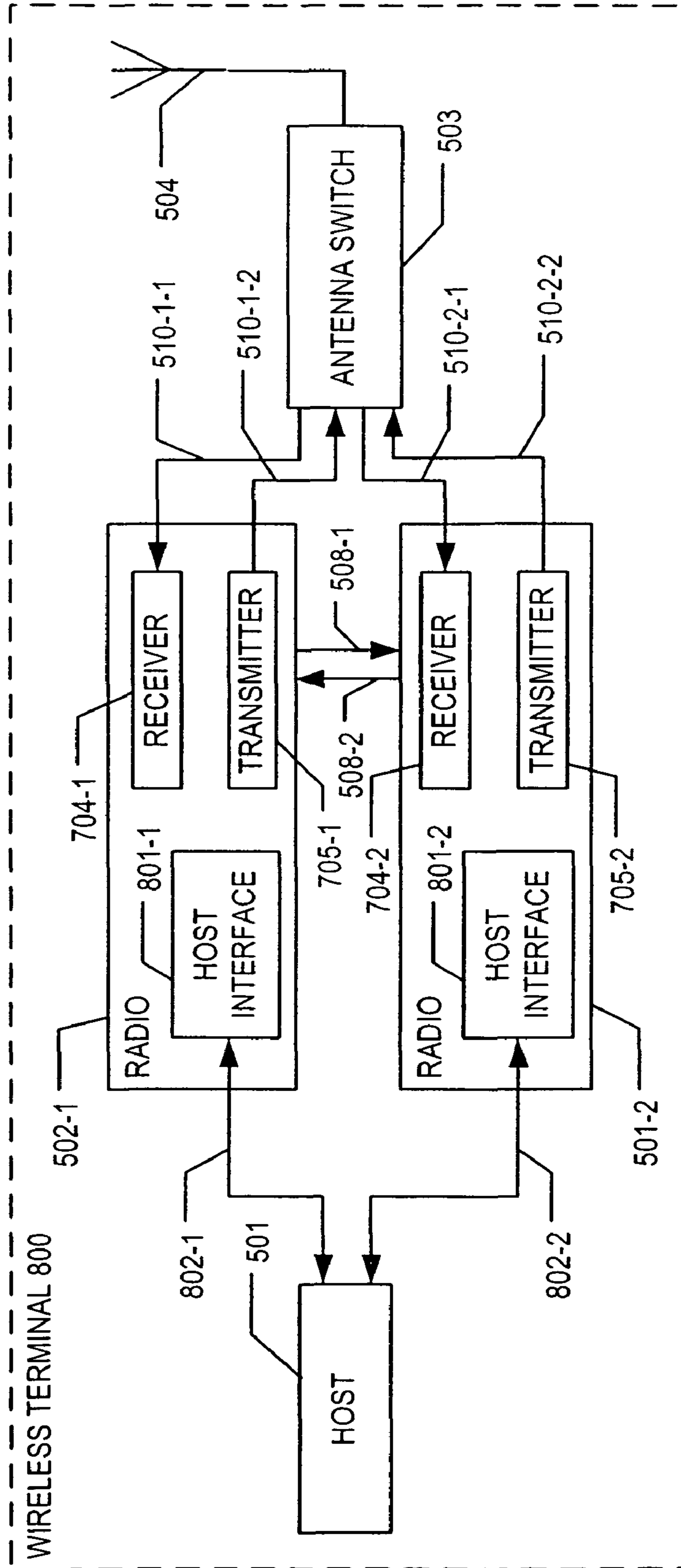


FIG. 9

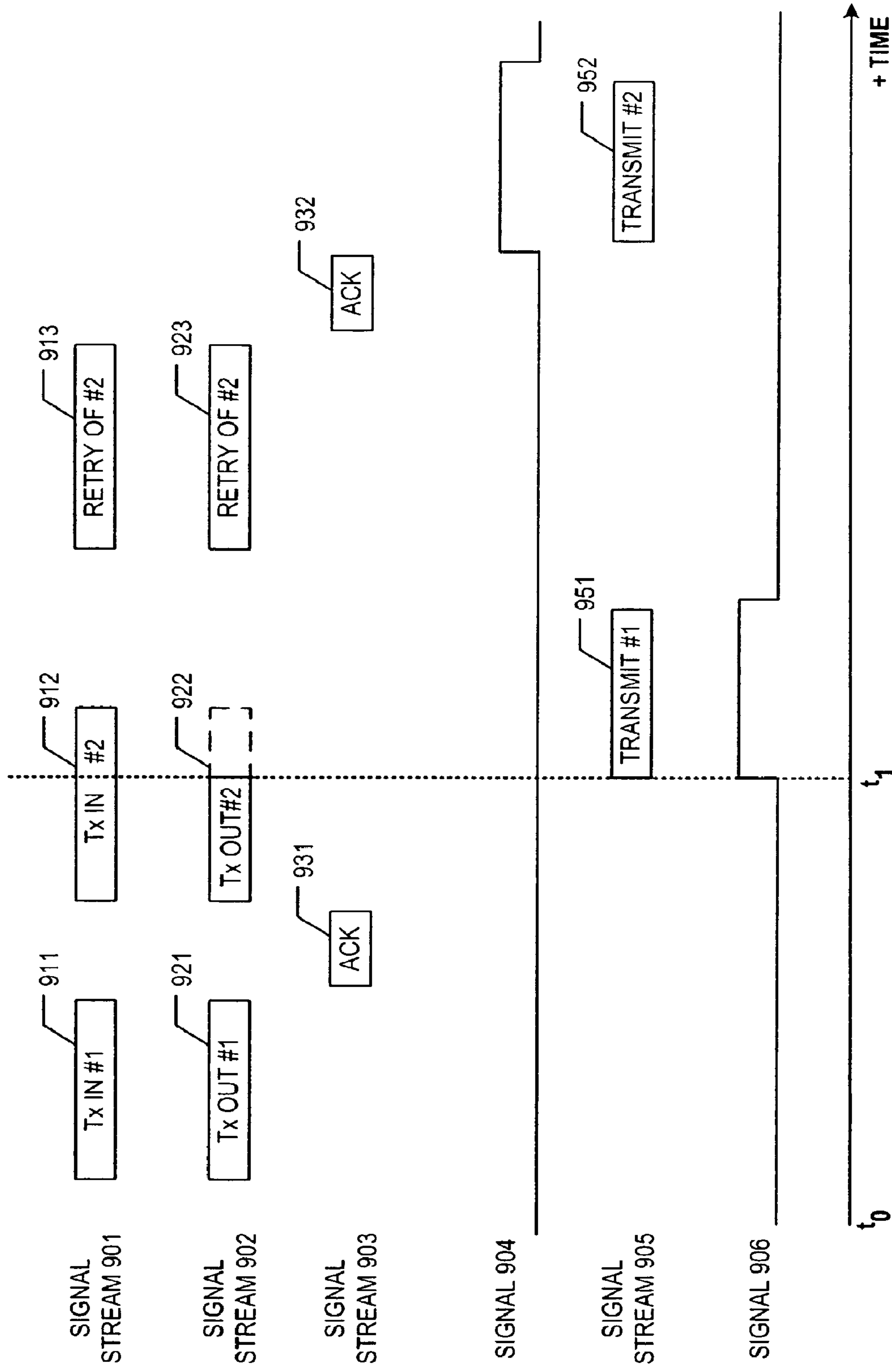
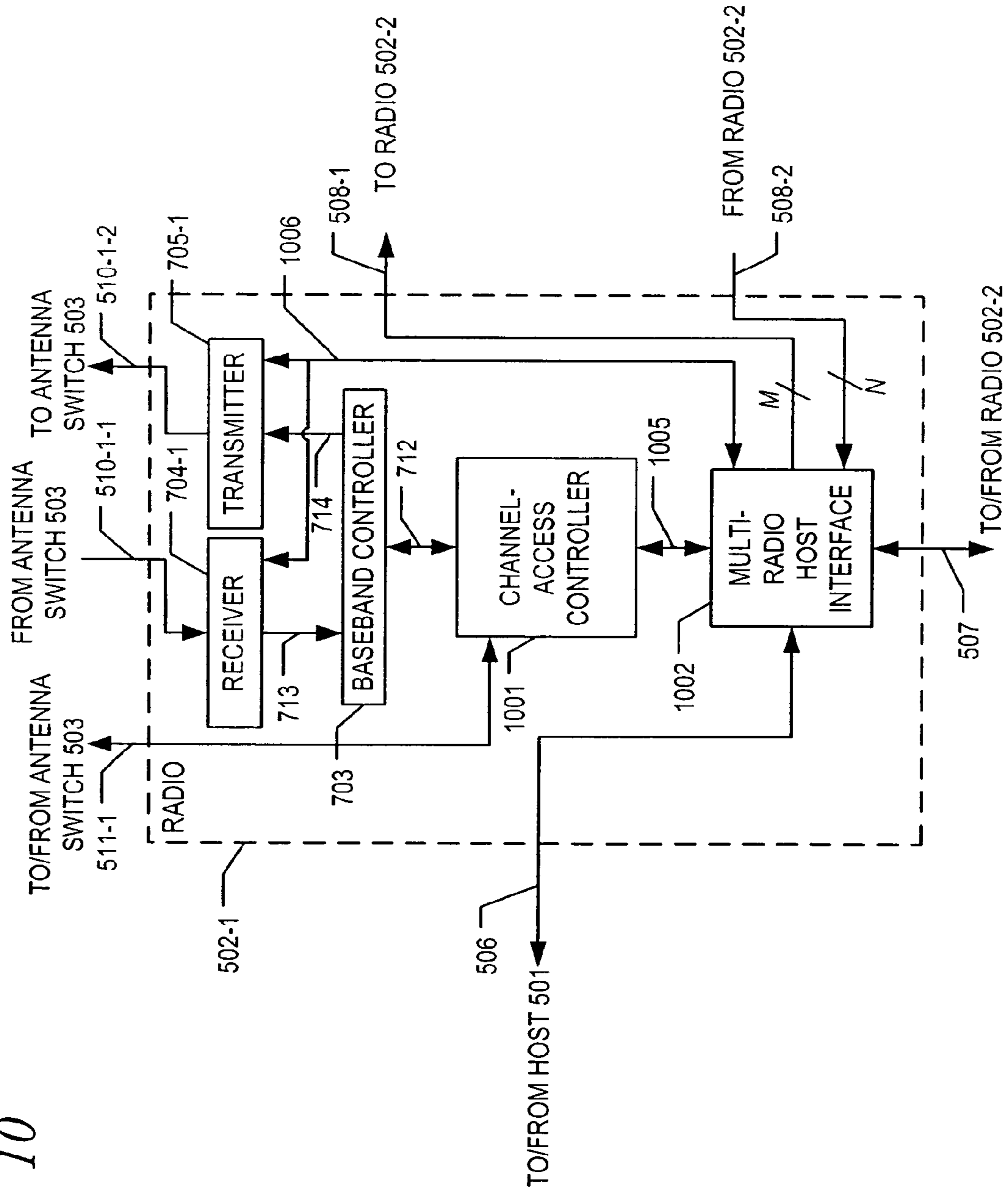


FIG. 10



## MULTI-PROTOCOL INTERCHIP INTERFACE

Matter enclosed in heavy brackets [ ] appears in the original patent but forms no part of this reissue specification; matter printed in italics indicates the additions made by reissue.

## CROSS-REFERENCE TO RELATED APPLICATIONS

The present application is a *broadening reissue application of U.S. patent application Ser. No. 11/429,556, filed May 5, 2006 (now U.S. Pat. No. 7,373,172, granted May 13, 2008), which is a continuation application of U.S. patent application Ser. No. 10/444,383, filed May 23, 2003 now U.S. Pat. No. 7,072,616. U.S. patent application Ser. No. 10/144,383*

## [CROSS-REFERENCE TO RELATED APPLICATIONS]

[This application] claims the benefit of:

1. U.S. provisional application Ser. No. 60/409,356, filed Sep. 9, 2002, entitled "A Mechanism For Collaboration And Interference Prevention Between 802.11 And Bluetooth Using The 802.11 Power Save Mechanism," and
2. U.S. provisional application Ser. No. 60/411,848, filed Sep. 18, 2002, entitled "Coordinating A Plurality Of Medium Access Control Protocols That Share A Common Communications Channel," both of which are also incorporated by reference.

The following patent application is incorporated by reference:

1. U.S. patent application Ser. No. 10/444,519, entitled "Coordination of Competing Protocols".

## FIELD OF THE INVENTION

The present invention relates to telecommunications in general, and, more particularly, to a telecommunications terminal with two radios operating in accordance with two protocols that might interfere with each other.

## BACKGROUND OF THE INVENTION

FIG. 1 depicts a schematic diagram of a portion of wireless communication system 100 in the prior art. Wireless communication system 100 comprises wireless terminals 101-1 through 101-6, all communicating with each other by using one or more air interfaces in the same, shared frequency band. As an example, IEEE 802.11 (i.e., "802.11") wireless terminals 101-1, 101-2, and 101-4 communicate using an 802.11 air interface, Bluetooth wireless terminals 101-5 and 101-6 communicate using a Bluetooth air interface, and 802.11/Bluetooth wireless terminal 101-3 communicates using either an 802.11 or a Bluetooth air interface.

As depicted in FIG. 1, wireless terminal 101-2 is transmitting a signal with wireless terminal 101-3 as the intended recipient. Also, wireless terminal 101-6 is transmitting a signal with wireless terminal 101-5 as the intended recipient. Wireless terminals 101-2 and 101-6 can transmit simultaneously, although in order to do so, either (1) their respective transmissions have to be coordinated, or (2) wireless terminals 101-2 and 101-6 have to be situated far enough apart from each other to minimize interference. If, however, a wireless terminal supports two air interface protocols (e.g., wireless terminal 101-3, etc.), a mechanism must exist to prevent

interference (i.e., the effect of two radios transmitting simultaneously in the same frequency band), since spatial separation of two air interfaces within the same wireless terminal is not an option.

In accordance with a first technique in the prior art, FIG. 2 depicts a block diagram of the salient components of wireless terminal 101-3. Wireless terminal 101-3 comprises host 201, A/B switch 202, 802.11 radio 203, Bluetooth radio 204, antenna switch 205, and antenna 206. Host 201 comprises a microprocessor. At any given time, host 201 communicates with 802.11 radio 203 or Bluetooth radio 204, both not both, by means of A/B switch 202. 802.11 radio 203 communicates in accordance with the 802.11 air interface, and Bluetooth radio 204 communicates in accordance with the Bluetooth air interface. Antenna switch 205 directs a signal to be transmitted to antenna 206 from either 802.11 radio 203 or Bluetooth radio 204. Antenna switch 205 also directs a received signal from antenna 206 to either 802.11 radio 203 or Bluetooth radio 204. Antenna switch 205 is coordinated with A/B switch 202.

The first technique in the prior art controls contention for the shared frequency band through A/B switch 202. In addition to providing contention-free access to the shared frequency band, the first technique provides a low-cost solution. As a disadvantage, however, the air interface in use must remain in either 802.11 or Bluetooth mode for relatively long periods of time. Also, contention resolution requires manual intervention on the part of a user whenever wireless terminal 101-3 has to make a transmission over the air interface that is not presently active. Finally, the inactive air interface might miss a transmission by some other wireless terminal.

In accordance with a second technique in the prior art, FIG. 3 depicts a block diagram of wireless terminal 101-3. Wireless terminal 101-3 comprises host 301, 802.11 radio 302, Bluetooth radio 303, antenna switch 304, and antenna 305. Host 301 comprises a microprocessor. At any given time, host 301 communicates with 802.11 radio 302 or Bluetooth radio 303, but not both, by means of an internal switch. Typically, the internal switch requires the user of wireless terminal 101-3 to select the air interface to be used (e.g., from a menu, etc.). Alternatively, host 301 chooses between the air interfaces based on the type of communication it needs to send or expects to receive. 802.11 radio 302 communicates in accordance with the 802.11 air interface, and Bluetooth radio 303 communicates in accordance with the Bluetooth air interface. Antenna switch 304 directs a signal to be transmitted to antenna 305 from either 802.11 radio 302 or Bluetooth radio 303. Antenna switch 304 also directs a received signal from antenna 305 to either 802.11 radio 302 or Bluetooth radio 303. Antenna switch 304 is coordinated with the selection of the air interface.

The second technique in the prior art integrates the switch into host 301, so the intervention by the user is more convenient, even though the intervention is still possibly manual. In addition to providing contention-free access to the shared frequency band, the second technique provides a more convenient way of allowing the user to change between air interfaces. As a disadvantage, however, the air interface in use must remain in either 802.11 or Bluetooth mode for relatively long periods of time. Also, contention resolution still possibly requires manual intervention on the part of a user whenever wireless terminal 101-3 has to make a transmission over the air interface that is not presently active. Finally, the inactive air interface might miss a transmission by some other wireless terminal.

In accordance with a third technique in the prior art, FIG. 4 depicts a block diagram of wireless terminal 101-3. Wireless

terminal **101-3** comprises host **401**, 802.11/Bluetooth radio **402**, antenna switch **403**, and antenna **404**. Host **401** comprises a microprocessor. Host **401** maintains an interface with the 802.11 part of 802.11/Bluetooth radio **402** and an interface with the Bluetooth part of 802.11/Bluetooth radio **402**. 802.11/Bluetooth radio **402** is a single integrated circuit that communicates in accordance with the 802.11 air interface and with the Bluetooth air interface. 802.11/Bluetooth radio **402** coordinates transmissions to some extent between its 802.11 part and its Bluetooth part. Antenna switch **403** directs a signal to antenna **404** to be transmitted from either the 802.11 part of 802.11/Bluetooth radio **402** or the Bluetooth part of 802.11/Bluetooth radio **402**. Antenna switch **403** also directs a received signal from antenna **404** to either the 802.11 part of 802.11/Bluetooth radio **402** or the Bluetooth part of 802.11/Bluetooth radio **402**.

In the prior art, approaches of integrating and dynamically coordinating multiple wireless protocols on a single platform have focused on integration into a single integrated circuit. This control necessitates coordinating the contention for the same frequency band between the two air interfaces. If the two air interface protocols are 802.11 and Bluetooth, the control must be imposed on the two air interfaces, since there is no standardized interoperability between the two air interface protocols. When the individual wireless technologies, however, are on a rapid evolutionary path, "same chip" integration can increase cost and can cause the integrated circuit development to lag behind that of separate circuits. Also, the market demand for a dual-interface solution within a single integrated circuit can be considerably smaller than the demand for either integrated circuit supporting a single protocol only (i.e., 802.11 or Bluetooth, but not both). Furthermore, even same chip integration by itself does not inherently guarantee a tight, efficient contention control between the two air interfaces.

Therefore, the need exists for multiple radios supporting different air interface protocols, possibly on separate integrated circuits, to coordinate the use of a shared frequency band.

#### SUMMARY OF THE INVENTION

The present invention is an interface between radios supporting different air interfaces that avoids some of the costs and disadvantages associated with inter-radio interfaces in the prior art. The present invention enables the needed coordination across multiple wireless protocols, such as 802.11 and Bluetooth, by providing a communication link spanning separate integrated circuits where each integrated circuit comprises a different radio. This low cost, low complexity link can be added to standard integrated circuits made by individual producers without adding appreciably to the overall cost of the integrated circuits.

In some embodiments of the present invention, the interface between radios is present as part of a computer that comprises a host processor in addition to the multiple radios. One variation of the computer is a wireless terminal, which is used to transmit and receive data blocks over the air. In some other embodiments, the interface between radios is present as part of a multi-radio card that plugs into a computer. In some other embodiments, the interface between radios is described as being part of a single radio.

The illustrative embodiment comprises a radio comprising: a channel-access controller for communicating in accordance with a first air interface, wherein the channel-access controller transmits a first set of signals to a collateral radio, the first set of signals comprising a first transmitting indica-

tion signal, a first receiving indication signal, and a first idle indication signal, and receives a second set of signals from the collateral radio, the second set of signals comprising a first transmit inhibit signal; and a multi-radio host interface, wherein the multi-radio host interface communicates the contents of a first data block associated with the first air interface to the channel-access controller when the first data block is received from a host interface bus, and communicates the contents of a second data block associated with the second air interface to the collateral radio when the second data block is received from the host interface bus.

#### BRIEF DESCRIPTION OF THE DRAWINGS

FIG. 1 depicts a schematic diagram of wireless telecommunications system **100** in the prior art.

FIG. 2 depicts a block diagram of a dual protocol wireless terminal that uses a first technique in the prior art.

FIG. 3 depicts a block diagram of a dual protocol wireless terminal that uses a second technique in the prior art.

FIG. 4 depicts a block diagram of a dual protocol wireless terminal that uses a third technique in the prior art.

FIG. 5 depicts a block diagram of wireless terminal **500** in accordance with the first illustrative embodiment of the present invention.

FIG. 6 depicts a block diagram of multi-radio card **600** in accordance with the second illustrative embodiment of the present invention.

FIG. 7 depicts a diagram of the salient components of radio **502-1** in accordance with the third illustrative embodiment of the present invention.

FIG. 8 depicts a block diagram of wireless terminal **800** in accordance with the fourth illustrative embodiment of the present invention.

FIG. 9 depicts a graph of signals transmitted and their interrelationship in the illustrative embodiment of the present invention.

FIG. 10 depicts a diagram of the salient components of radio **502-1** in accordance with another variation of the third illustrative embodiment of the present invention.

#### DETAILED DESCRIPTION

FIG. 5 depicts a block diagram of wireless terminal **500** in accordance with the first illustrative embodiment of the present invention. Wireless terminal **500** is a computer that supports two distinct wireless air interface protocols concurrently for the purpose of sending and receiving data over the air on a shared frequency band. The frequency band, when used for communications purposes, is also referred to as a "communications band," comprising one or more "channels" of communication. The object referred to generically as a "data block" conveys data across a transmission medium (e.g., air, wire, etc.). A data block constitutes a message, in which the message typically comprises a header part and the data in a payload part. A data block can be also referred to as a "frame" or as a "packet." The term "frame," as is known in the art, is commonly used in an IEEE 802.11 protocol context when referring to the medium access control data blocks that are communicated across over the air. The term "packet," as is known in the art, is commonly used in a Bluetooth protocol context when referring to the data blocks that are communicated over the air.

A wireless telecommunications terminal, or "wireless terminal," as described in this specification (e.g., wireless terminal **500**, etc.), is a type of telecommunications terminal. The wireless protocols supported by wireless terminal **500**

## 5

can be, for example, 802.11 and Bluetooth. Wireless terminal **500** comprises host **501**, radio **502-1**, radio **502-2**, antenna switch **503**, and antenna **504**, interconnected as shown.

Host **501** is a computing platform (e.g., laptop, workstation, wireless terminal, etc.) comprising a general-purpose or special-purpose processor that is capable of storing data into a memory, retrieving data from a memory, and executing programs stored in a memory. The memory constituting host **501** might be random-access memory (RAM), flash memory, disk drive, etc. Host **501** processes higher-layer applications that use data that are transmitted over the air and data received over the air. Alternatively, host **501** can be the motherboard of a computer comprising a processor. Host **501** provides overall control of wireless terminal **500**, and the remainder of wireless terminal **500** provides the wireless communication function of host **501**. It will be clear to those skilled in the art how to make and use host **501**.

Host **501** also comprises an output device and an input device. The output device (e.g., display, speaker, etc.) is a transducer that receives signals from the processor and converts the received signals to an output signal (e.g., visual, auditory, etc.) in well-known fashion. The input device receives input from a user and sends the input to the processor. As is well-known in the art, the input device can take on a variety of forms, such as a keypad, pressure-sensitive touch screen, etc.

Radio **502-1** provides the channel-access control for communicating in accordance with a first air interface (e.g., 802.11, etc.). Radio **502-1** provides this service for data blocks arriving from host **501** via host data link **506** that are to be transmitted over the air and for data-blocks arriving from antenna switch **503** via path **510-1-1** that are to be sent to host **501**. Radio **502-1** also receives data blocks from radio **502-2** and transmits data blocks to radio **502-2**. Radio **502-1** exchanges data blocks with radio **502-2** via collateral radio data link **507**, which will be described later. Radios **502-1** and **502-2** comprise a receiving function and a transmitting function and, as such, are transceivers.

Radio **502-1** receives signals from radio **502-2** and transmits signals to radio **502-2**. Radio **502-1** exchanges signals with radio **502-2** via signaling link **508-1**, a bus comprising M lines, and signaling link **508-2**, a bus comprising N lines. Signaling links **508-1** and **508-2** will be described later.

Radio **502-1** interfaces with host **501** through host data link **506**. Host data link **506** is a peripheral bus providing signaling, messaging, and control between those devices connected to the bus. It will be clear to those skilled in the art how to make and use the bus constituting host data link **506**. In the illustrative embodiment, host **501** is one such device connected to the bus, and radio **502-1** is another device. Radio **502-1** can interface with the bus mechanically, as well as electrically, through a removable circuit card designed for such an application. Alternatively, radio **502-1** can be hardwired directly to host **501** via the bus constituting host data link **506**. Examples of standardized busses include PCI, MiniPCI, and CardBus, all well known in the art. It will be clear to those skilled in the art how to make and use an interface that constitutes host data link **506**.

Radio **502-2** provides the channel-access control for communicating in accordance with a second air interface (e.g., Bluetooth, etc.). Radio **502-2** provides this service for data blocks arriving from host **501**—via host data link **506**, radio **502-1**, and collateral radio data link **507**—to be transmitted over the air and for data blocks arriving from antenna switch **503** via path **510-2-1** to be sent to host **501**. Radio **502-2** exchanges data blocks with radio **502-1** via collateral radio data link **507**.

## 6

Radio **502-2** receives signals from radio **502-1** and transmits signals to radio **502-1**. Radio **502-2** exchanges signals with radio **502-1** via signaling link **508-1** and signaling link **508-2**. Each of radios **502-1** and **502-2** might or might not constitute its own integrated circuit.

Antenna switch **503** exchanges signals with radio **501-1** via paths **510-1-1** and **510-1-2**, with radio **502-2** via paths **510-2-1** and **510-2-2**, and with antenna unit **504**. Antenna switch **503** enables antenna unit **504** to be shared, or switched, between radios **501-1** and **502-2**, reducing the required number of antennas. Antenna unit **504** provides coupling for transmitted and received signals between antenna switch **503** and the air. Antenna unit **504** can consist of a single antenna or it can consist of multiple antennas (e.g., one antenna for transmit, two antennas for receive, etc.). Antenna unit **504** can support receive diversity, transmit diversity, or both. Radio **501-1**, radio **502-2**, or host **501** can control the antenna switching. FIG. 5 depicts radio **501-1** providing control of antenna switching via path **511-1**. It will be clear to those skilled in the art how to make and use antenna switch **503** and antenna unit **504**. It will also be clear to those skilled in the art how to make and use a wireless terminal (e.g., wireless terminal **500**, etc.) without antenna switch **503**.

Collateral radio data link **507** provides a path through which radio **502-2** exchanges data blocks with host **501**. Essentially, collateral radio data link **507** provides the host interface for radio **502-2**. This “daisy-chaining” of host **501**, radio **502-1**, and radio **502-2** is necessary, since multiple integrated circuits with host interfaces that use certain bus standards, such as PCI, cannot be located on the same card because of the loading requirements of the bus. PCI, however, supports a multiple function model, in which more than one logical host interface is combined into a single physical integrated circuit. Radio **502-1** uses the ability to host more than one logical host interface and uses collateral radio data link **507** to provide radio **502-2** with access to host **501**. It will be clear to those skilled in the art how to host more than one logical host interface for a given physical interface.

FIG. 6 depicts a block diagram of wireless terminal **600** in accordance with the second illustrative embodiment of the present invention. Wireless terminal **600** supports two distinct wireless air interface protocols concurrently. The wireless protocols supported by wireless terminal **600** can be, for example, 802.11 and Bluetooth. Wireless terminal **600** comprises host **501**, radio **502-1**, radio **502-2**, antenna switch **503**, and antenna unit **504**, interconnected as shown.

Radio **502-1**, radio **502-2**, antenna switch **503**, antenna unit **504**, and printed circuit board **602** constitute multi-radio card **601**. Each of radios **502-1** and **502-2** might or might not constitute its own integrated circuit. Multi-radio card **601** is mechanically separable from host **501** and is electrically connected to host **501** using a card bus standard, in well-known fashion. The set of possible standards comprises PCI, MiniPCI, and CardBus. Printed circuit board **602**, constituting multi-radio card **601**, plugs into a card bus interface that electrically connects host **501** and radio **502-1**, and can be physically removed from that interface as needed. It will be clear to those skilled in the art how to make and use printed circuit board **602** as part of multi-radio card **601**.

The relationship and interaction between the elements depicted in FIG. 6 differ from that in FIG. 5 only in that the elements constituting multi-radio card **601** are mechanically separable from (i.e., not hardwired to) host **501**. Elements common to both FIGS. 5 and 6 have been described above.

FIG. 7 depicts a block diagram of radio **502-1** in accordance with the third illustrative embodiment of the present invention. As is well known in the art, radio **502-1** might or

might not constitute its own integrated circuit. Channel-access controller 701 provides the medium access control (MAC) functionality for communicating in accordance with a first air interface (e.g., 802.11, etc.). Note that the term “medium access control,” as used in this specification, denotes the functionality that determines which wireless terminal transmits next on a multi-access (shared) channel, constituting a communications band, for a given air interface. Channel-access controller 701 accepts host data from multi-radio host interface 702 via path 711. It provides data from host 501 to baseband controller 703 via path 712 for preparation for transmission. Channel-access controller 701 also provides data received over the air from baseband controller 703 via path 712 to host 501 through path 711 and multi-radio host interface 702. Channel-access controller 701 can track whether it has control or radio 502-2 has control of the frequency band at any given moment. Consequently, channel-access controller 701 can control antenna switching at antenna switch 503 via path 511-1. Alternatively, channel-access controller 701 can operate uninformed of the status of radio 502-2.

Channel access controller 701 can pass to radio 502-2 via signaling link 508-1 information representative of receiver 704-1 and transmitter 705-1, received through path 715. Channel access controller 701 can pass to receiver 704-1 and transmitter 705-1 via path 715 information representative of radio 502-2, received through signaling link 508-2. It will be clear to those skilled in the art how to make and use channel-access controller 701.

In accordance with the illustrative embodiment of the present invention, multi-radio host interface 702 provides the interface between host 501 and radio 502-1. Multi-radio host interface 702 accepts data blocks from host 501 via host data link 506. Multi-radio interface 702 then determines whether it should (1) transfer each data block to channel-access controller 701 via path 711, if the data block is meant for radio 502-1, or (2) relay the data block over to radio 502-2 via link collateral radio data link 507. Multi-radio host interface 702 accepts data blocks from channel-access controller 701 and transfers them to host 501. In other words, multi-radio host interface 702 provides multiple logical channel interfaces on a single physical channel interface to host 501. After reading this specification, it will be clear to those skilled in the art how to make and use multi-radio host interface 702.

Baseband controller 703 exchanges signals with channel-access control 701 via path 712. It also exchanges signals with receiver 704-1 and transmitter 705-1 via paths 713 and 714, respectively. In the receive direction, baseband controller 703 accepts the demodulated signal from receiver 704-1 and converts the signal into a format that can be used by channel-access controller 701. In the transmit direction, baseband controller 703 takes the signal from channel-access controller 701 and converts the signal into a format that is ready for modulation to the transmit frequency, the modulation being performed by transmitter 705-1. It will be clear to those skilled in the art how to make and use baseband controller 703.

In addition to exchanging signals with baseband controller 703, receiver 704-1 and transmitter 705-1 exchange signals with antenna switch 503 via paths 510-1-1 and 510-1-2, respectively. Transmitter 705-1 provides part of the functionality of the physical layer of communication—that is, modulation of the baseband signals, representing data blocks, received from baseband controller 703 to characteristics consistent with the particular air interface protocol supported by radio 502-1. Transmitter 705-1 can accomplish modulation through an intermediate frequency (IF) section, or stage, and

a radio frequency section. It then amplifies the signal to be transmitted via a power amplifier section. Transmitter 705-1 transmits the modulated and amplified signal over the air through antenna switch 503 and antenna unit 504. Receiver 704-1 receives, amplifies, and demodulates signals from antenna switch 503 and antenna unit 504, providing the signals to baseband controller 703. Respectively, receiver 704-1 and transmitter 705-1 receives and transmits signals at a radio frequency communications band, such as, for example, the 2.4 GHz Industrial, Scientific, and Medical (ISM) band or the 5.0 GHz ISM band. It will be clear to those skilled in the art how to make and use receiver 704-1 and transmitter 705-1.

Radio 502-1 communicates with radio 502-2 via collateral radio data link 507, signaling link 508-1, and signaling link 508-2. Collateral radio data link 507 serves to exchange data blocks between host 501 and radio 502-2, in well-known fashion. In accordance with the illustrative embodiment of the present invention, signaling link 508-1 and signaling link 508-2 provide the signaling interface between radio 502-1 and radio 502-2, conveying transmitting/receiving status and specifying control. Signaling link 508-1 provides inter-MAC messaging from radio 502-1 to radio 502-2. Similarly, signaling link 508-2 provides inter-MAC messaging from radio 502-2 to radio 502-1.

Signaling links 508-1 and 508-2 comprise a communication and coordination protocol. Signaling links 508-1 and 508-2 also provide time synchronization functions between radio 502-1 and 502-2 for the purposes of determining time intervals corresponding to transmit opportunities for either air interface (i.e., the air interface served by radio 502-1 and the air interface served by radio 502-2). These characteristics are described below.

Signaling link 508-1 conveys a first set of signals from radio 502-1 to radio 502-2. In some embodiments, this first set of signals comprises a first transmitting indication signal, a first receiving indication signal, and a first idle indication signal. The transmit indication signal indicates when radio 502-1 is transmitting signals over the air. The receive indication signal indicates when radio 502-1 is receiving (or attempting to receive) signals from over the air. The idle indication signal indicates when radio 502-1 is neither in transmit mode nor in receive mode (but is still powered on). The idle indication signal, for example, can be used to indicate when radio 502-1 is in a power save mode, possibly an opportunity in time when radio 502-2 can control the shared frequency band. It will be clear to those skilled in the art how to determine which signal levels indicate what condition.

Signaling link 508-2 transfers a second set of signals from radio 502-2 to radio 502-1. In some embodiments, this second set of signals comprises a first transmit inhibit signal. The transmit inhibit signal specifies that radio 502-2 is commanding radio 502-1 to inhibit transmitter 705-1 of radio 502-1. In an illustrative scenario, radio 502-2 has time-critical information to transmit over the air and needs to “cut in” to radio 502-1’s usage of the communications band. Use of the transmit inhibit signal in this scenario forces the radio frequency and intermediate frequency sections of transmitter 705-1 (within radio 502-1) out of transmit mode or turns off the power amplifier section or both, whatever ensures that no signal is transmitted by transmitter 705-1. It will be clear to those skilled in the art how to turn off the transmitter 705-1 of radio 502-1 so that no signal is radiated over the air. It will be clear to those skilled in the art how to determine which signal levels indicate which conditions.

In some other embodiments, radio 502-2 also uses signaling link 508-2 to send a polite request signal to radio 502-1 as part of the second set of signals. The polite request signal



indicates to radio **502-1** that radio **502-2** has a data block to transmit, but does not necessarily have to send it at that moment. Correspondingly, radio **502-1** understands that it does not have to turn off its transmitter the moment it receives a polite request signal. The polite request signal can also be used to indicate level of urgency or importance of the data block requiring transmission, the time by which the data block has to be transmitted (i.e., latency tolerance), or other time-sensitive characteristics of the data blocks. The particular usage of the polite request signal depends on the relationship of the respective air interfaces of radios **502-1** and **502-2**. It will be clear to those skilled in the art how to customize the usage of the polite request signal. It will be clear to those skilled in the art how to determine which signal levels indicate which conditions.

Radio **502-1** continually monitors the second set of signals sent on signaling link **508-2**. Radio **502-1** uses the signals to make decisions as to when to transmit, when not to transmit, and when to communicate status or control or both back to radio **502-2** along signaling link **508-1**.

In some embodiments, all signals sent across signaling links **508-1** and **508-2** apply bi-directionally—that is, each signal described thus far can also be sent in the direction opposite to what has been described. Signaling link **508-1** can also send, as the first set of signals, a second transmit inhibit signal and a polite request signal. Furthermore, signaling link **508-2** can also send, as the second set of signals, a second transmitting indication signal, a second receiving indication signal, and a second idle indication signal. This fully reciprocal sharing between radios **501-1** and **501-2** of status and control signals can be used, for example, in applications where master control of the radios—functionality essentially residing in radio **502-1** in the illustrative embodiments—has to be reassigned to a different radio (e.g., radio **502-2**, etc.).

FIG. **8** depicts a block diagram of wireless terminal **800** in accordance with the fourth illustrative embodiment of the present invention. Wireless terminal **800** supports two distinct wireless air interface protocols concurrently. The wireless protocols supported by wireless terminal **800** can be, for example, 802.11 and Bluetooth. Wireless terminal **800** comprises host **501**, radio **502-1**, radio **502-2**, antenna switch **503**, and antenna unit **504**, interconnected as shown. Radio **502-1** comprises receiver **704-1**, transmitter **705-1**, and host interface **801-1**. Radio **502-2** comprises receiver **704-2**, transmitter **705-2**, and host interface **801-2**. Other elements constituting radios **502-1** and **502-2** have been depicted earlier and for clarity are not depicted in FIG. **8**.

Each of host data links **802-1** and **802-2** is a peripheral bus providing signaling, messaging, and control between those devices connected to the bus. It will be clear to those skilled in the art how to make and use the bus constituting each of host data links **802-1** and **802-2**. In the illustrative embodiment, host **501** is one such device connected to the bus, radio **502-1** is another device regarding host data link **802-1**, and radio **502-2** is yet another device regarding host data link **802-2**. Each of radios **502-1** and **502-2** can interface with its bus mechanically, as well as electrically, through a removable circuit card designed for such an application. Examples of standardized busses include PCI, MiniPCI, and CardBus, all well known in the art. It will be clear to those skilled in the art how to make and use an interface that constitutes host data link **802-1** and an interface that constitutes host data link **802-2**.

Host interface **801-1** provides the interface between host **501** and radio **502-1**, in well-known fashion. Host interface **801-1** accepts data blocks from host **501** via host data link **802-1**. Host interface **801-1** is also connected to channel-

access controller **701** (described earlier) in radio **705-1** via a path equivalent to path **711** and accepts data blocks from channel-access controller **701**, transferring them to host **501**. Note that host interface **801-1** is identical to multi-radio host interface **702**, except that host interface **801-1** does not have to sort out data blocks for or from radio **502-2**. It will be clear to those skilled in the art how to make and use host interface **801-1**.

Host interface **801-2** provides the interface between host **501** and radio **502-2**, in well-known fashion. Host interface **801-2** accepts data blocks from host **501** via host data link **802-2**. Host interface **801-2** is also connected to channel-access controller **701** (described earlier) in radio **705-2** via a path equivalent to path **711** and accepts data blocks from channel-access controller **701**, transferring them to host **501**. It will be clear to those skilled in the art how to make and use host interface **801-2**.

FIG. **9** depicts a timing diagram of an exemplary communication sequence for receiver **704-1**, transmitter **705-1**, and transmitter **705-2**, in accordance with the illustrative embodiment of the present invention. This timing diagram serves to illustrate the operation of radio **502-1** and radio **502-2** in accordance with the fifth illustrative embodiment of the present invention. For illustrative purposes, radio **502-1** operates in accordance with the 802.11 air interface protocol and radio **502-2** operates in accordance with the Bluetooth air interface protocol. It will be clear, however, to those skilled in the art that radios **502-1** and **502-2** can operate in accordance with other protocols.

FIG. **9** shows two sequences related to transmitter **705-1**. Signal stream **901** represents the input signal into transmitter **705-1** provided on path **714**, and signal stream **902** represents what actually is transmitted by transmitter **705-1** (i.e., the transmitter's "output" on path **510-1-2**). The distinction between transmitter **705-1**'s input and its output will be made clear below.

The first frame intended for transmission is frame **911**, provided to transmitter **705-1**. Since transmitter **705-1** is active, transmitted frame **921** (corresponding to frame **911**) is equivalent to frame **911** (i.e., all of frame **911** reaches antenna unit **504**), except for the fact that frame **911** is an unmodulated signal while frame **921** is modulated.

The next transmission in the sequence is acknowledgement frame **931** of signal stream **903**, which is received, in well-known fashion, by receiver **704-1** from the station to which frame **921** was directed.

The next frame intended for transmission in the sequence is frame **912**, provided to transmitter **705-1**. As shown in FIG. **9**, at time to during transmission of corresponding frame **922**, transmitter **705-2** transmits, as part of signal stream **905**, lower latency-tolerant packet **951** (e.g., a synchronous connection-oriented [SCO] packet, etc.), while simultaneously, the transmit inhibit signal (described earlier), represented by signal **906**, is set high. The transmit inhibit signal is provided on signaling link **508-2**.

For the purposes of discussion of the illustrative embodiments of the present invention, it is assumed that setting a signal high indicates that control is being exercised and that resetting a signal low indicates that control is no longer being exercised by the particular signal line. It will be clear to those skilled in the art how to indicate control in a way that is suitable to the particular design.

The transmit inhibit signal indicated to radio **502-1** and, more particularly, to transmitter **705-1**, ultimately controls the signal radiated by radio **502-1**. In order to suppress radiation of a signal, it might be necessary to turn off or turn low the power amplifier and the RF/IF sections of transmitter **705-1**,

## 11

as described earlier. It will be clear to those skilled in the art how to suppress output from transmitter 705-1.

Setting the transmit inhibit signal prevents the remainder of frame 912 from reaching antenna unit 504, as shown by frame 922. When transmitter 705-2 completes lower latency-tolerant packet 951, the transmit inhibit signal resets low, thereby allowing input to transmitter 705-1 to once again reach antenna unit 504. The transmit inhibit signal, in combination with any intermediate logic gates required to format the control signal actually provided to transmitter 705-1, acts as a preemption signal that effectively suppresses output from transmitter 705-1 during transmitter 705-2's transmissions, thereby avoiding interference.

Meanwhile, transmitter 705-1, unaware that frame 912 did not fully reach antenna unit 504, waits for an acknowledgement in accordance with automatic repeat request (ARQ) error correction, as is well understood in the art. Since frame 912 was effectively interrupted, transmitter 705-1 does not receive such an acknowledgement, and, after a timeout in accordance with the protocol, retries frame 912 (in the form of frame 913.) As illustrated in FIG. 9, as long as Bluetooth packet 951 is kept sufficiently short, transmitter 705-1 is no longer suppressed by transmitter 705-2 when transmitting frame 913. Consequently, frame 913 in its entirety reaches antenna unit 504 (shown by frame 923), and receiver 704-1 subsequently receives acknowledgement 932. Recalling the 802.11/Bluetooth nature of the example depicted by FIG. 9, the IEEE 802.11 ARQ error correction thus automatically compensates for sufficiently-short Bluetooth interruptions (i.e., interruptions that are not "fatal") without any changes to the protocols.

It will be clear to those skilled in the art that ARQ error correction will also automatically compensate for sufficiently-short transmissions from transmitter 705-2 of radio 502-2 that overlap receiver 704-1's receiving of data. In addition, it will be clear to those skilled in the art how to make and use alternative embodiments of the present invention for protocols that use other methods of error correction (e.g., forward error correction, etc.) In the case of forward error correction, for example, the interruption of a transmission is not fatal as long as the interruption is kept short enough so that the number of suppressed bits is below the particular error correction threshold.

So far throughout the exemplary sequence depicted in FIG. 9, radio 502-1 has been active, as shown by the "low" value of signal 904, corresponding to the first idle indication signal of radio 502-1, which is provided by signaling link 508-1 to radio 502-2. After acknowledgement frame 932, radio 502-1 enters power-save (i.e., idle) mode, as shown in FIG. 9 by the transition of first idle indication signal (signal 904) from low to high. Transmitter 705-2, upon detecting this transition, takes advantage of this situation by transmitting higher latency-tolerant packet 952 (e.g., an asynchronous connection-less [ACL] packet, etc.). Thus, instead of preempting transmitter 705-1, as is done for transmissions with a lower latency tolerance (e.g., transmission 951, etc.), transmitter 705-2 waits for radio 502-1 to enter power-save mode before initiating transmissions with a higher latency tolerance (e.g., 952, etc.).

When radio 502-1 exits power-save mode (i.e., "wakes up"), it executes a "warm-up sequence" before transmitting any frames, as is well known in the art. If radio 502-1 happens to wake up while transmitter 705-2 is still transmitting, radio 502-2, which detects that radio 502-1 has awakened, terminates transmitter 705-2's transmissions. As will be clear to those skilled in the art, the warm-up sequence of radio 502-1, operating in the example in accordance with the Bluetooth

## 12

protocol, gives transmitter 705-2 plenty of time to gracefully terminate any in-progress transmissions. Any "left-over" information that transmitter 705-2 was unable to transmit before radio 502-1 awoke is queued for the next time that radio 502-1 enters power-save mode; this postponement is not problematic since, by definition, the information has a higher latency tolerance. If, instead, this information had a lower latency tolerance, transmitter 705-2 would have previously preempted transmitter 705-1, as described above.

FIG. 10 depicts a block diagram of radio 502-1 in another variation of the third illustrative embodiment of the present invention. FIG. 10 is similar to FIG. 7, except that the signaling links between radios 502-1 and 502-2 are interfaced directly to multi-radio host interface 1002. Consequently, channel-access controller 1001, multi-radio host interface 1002, and path 1005 are different from channel-access controller 701, multi-radio host interface 702, and path 705, respectively.

Channel-access controller 1001 provides the medium access control functionality for communicating in accordance with a first air interface (e.g., 802.11, Bluetooth, etc.). In this regard, it provides the same functionality as channel-access controller 701. It accepts host data from multi-radio host interface 1002 via path 1005. It provides data from host 501 to baseband controller 703 via path 712 for preparation for transmission. Channel-access controller 1001 also provides data received over the air from baseband controller 703 via path 712 to host 501 through path 1005 and multi-radio host interface 1002. Channel-access controller 1001 can track whether it has control or radio 502-2 has control of the communications band at any given moment. Consequently, channel-access controller 1001 can control antenna switching at antenna switch 503 via path 511-1. Alternatively, channel-access controller 1001 can operate uninformed of the status of radio 502-2.

Channel access controller 1001 can pass to radio 502-2 via signaling link 508-1 information representative of receiver 704-1 and transmitter 705-1, received through path 1006. Channel access controller 1001 can pass to receiver 704-1 and transmitter 705-1 via path 1006 information representative of radio 502-2, received through signaling link 508-2. It will be clear to those skilled in the art how to make and use channel-access controller 1001.

In accordance with the illustrative embodiment of the present invention, multi-radio host interface 1002 provides the interface between host 501 and radio 502-1. Multi-radio host interface 1002 accepts data blocks from host 501 via host data link 506. Multi-radio host interface 1002 then determines whether it should (1) transfer each data block to channel-access controller 1001 via path 1005, if the data block is meant for radio 502-1, or (2) relay the data block over to radio 502-2 via link collateral radio data link 507. Multi-radio host interface 1002 accepts data blocks from channel-access controller 1001 and transfers them to host 501. In other words, multi-radio host interface 1002 provides multiple logical channel interfaces on a single physical channel interface to host 501. After reading this specification, it will be clear to those skilled in the art how to make and use multi-radio host interface 1002.

Multi-radio host interface 1002 terminates one end of collateral radio data link 507, as well as signaling links 508-1 and 508-2. Collateral radio data link 507 and signaling links 508-1 and 508-2 can be different interfaces to radio 502-2 physically, or they can be the same interface. It will be clear to those skilled in the art how to combine collateral radio data link 507 and signaling links 508-1 and 508-2 into one interface. Each of the interfaces with radio 502-2 can be a serial

interface or a parallel interface. It will be clear to those skilled in the art how to make and use a serial or parallel interface. If one or more of collateral radio data link **507** and signaling links **508-1** and **508-2** are serial, the serial interface characteristics can comprise SERDES, IEEE1394 style data/strobe encoding, or RFF(2,5) coding, in well-known fashion.

The signaling information that is exchanged between radio **502-1** and **502-2** can be represented in any of a variety of formats. Signals from radio **502-1** can be communicated to radio **502-2** along signaling link **508-1** via a single high or low electrical signal, one signal value per state, in well-known fashion. For example, when radio **502-1** wants to indicate that it is transmitting, it can set the transmitting indication signal line to “high” and maintain that signal value for as long as radio **502-1** is in the transmitting state. When radio **502-1** stops transmitting, it can reset the transmitting indication signal line to “low”, and maintain that signal value for as long as radio **502-1** is not transmitting. Similarly, signals from radio **502-2** can be communicated to radio **502-1** along signaling link **508-2** via a single high or low electrical signal, one signal value per state, in well-known fashion.

Alternatively, signals can be communicated between radio **502-1** and radio **502-2** via a packet format (i.e., a format using blocks of data to represent information), as opposed to using individual electrical signal levels to directly represent information. For example, when radio **502-1** wants to indicate that it is transmitting, it can prepare and transfer a packet message to radio **502-2** indicating “transmitting” when the state change from “not transmitting” to “transmitting” occurs. When radio **502-1** stops transmitting, it can prepare and transfer a packet message to radio **502-2** indicating “not transmitting” when the state change from “transmitting” to “not transmitting” occurs. The packet message also specifies the type of message being sent, such as control (e.g., transmit inhibit, etc.), status (e.g., idle indication, etc.), or host interface-related (e.g., data message for radio **502-2** from host **501**, etc.). The packet format can be transferred in full-duplex, bidirectional fashion between radios **502-1** and **502-2**. It will be clear to those skilled in the art how to make and use a packet format to convey signals and to do so in full-duplex, bidirectional fashion.

FIG. 10 depicts signaling link **508-1** as comprising M lines and signaling link **508-2** as comprising N lines. This is for illustrative purposes only, since signaling links **508-1** and **508-2** can be combined with collateral radio data link **508** in practice. The values for M and N depend on several factors, including (in no particular order):

1. Whether each of signaling link **508-1** and **508-2** is a serial or parallel interface;
2. How wide the parallel interface is;
3. If communication is full-duplex, bidirectional;
4. If the information is sent in packet format; and
5. If collateral radio data link **507**, signaling link **508-1**, and signaling link **508-2** are combined into one interface.

Values for M and N are determined in well-known fashion. If the three links are combined into one serial interface that is full-duplex, bidirectional with packet format, the number of lines required by that interface is as little as two, consistent with the notion of low cost, low complexity.

It is to be understood that the above-described embodiments are merely illustrative of the present invention and that many variations of the above-described embodiments can be devised by those skilled in the art without departing from the scope of the invention. It is therefore intended that such variations be included within the scope of the following claims and their equivalents.

What is claimed is:

1. An antenna switching system comprising:
  - a first transceiver of a plurality of transceivers;
  - a first processor configured to process an application stored in memory;
  - a second transceiver of the plurality of transceivers electrically connected between the first processor and the first transceiver, the second transceiver configured to relay messages from the first processor to the first transceiver;
  - a switch configured to connect a plurality of transceivers to at least one antenna; and
  - a second processor configured to control the connection of the switch to one or more of the first and second transceivers.
2. The system of claim 1, wherein at least one of the plurality of transceivers is configured to transceive on a transmission medium with a first protocol.
3. The system of claim 2, wherein at least one of the plurality of transceivers is configured to transceive on a transmission medium with a second protocol.
4. The system of claim 3, wherein the second transceiver is configured to receive data blocks from the first processor and transmit the data blocks on a data bus to the first transceiver.
5. The system of claim 4, further comprising at least one antenna electrically connected to the switch.
6. The system of claim 3, wherein at least one of the first and second protocols is Bluetooth.
7. The system of claim 3, wherein at least one of the first and second protocols is IEEE 802.11.
8. The system of claim 1, wherein the second processor is configured to receive an idle indication signal from one of the first and second transceivers.
9. The system of claim 1, wherein the second processor is configured to transmit a transmit inhibit signal to one of the first and second transceivers.
10. The system of claim 1, wherein the antenna switching system is included in a wireless radio.
11. A method of switching of at least one antenna:
  - providing at least a first transceiver and a second transceiver of a plurality of transceivers;
  - providing a signal from a first processor to a first transceiver of the plurality of transceivers electrically connected between the first processor and the second transceiver;
  - determining whether the signal is to be transmitted by the first transceiver or the second transceiver;
  - relaying the signal from the first transceiver to the second transceiver if the determination is made that the data is to be transmitted by the second transceiver; and
  - switching an antenna switch to electrically connect one of the first and second transceivers to at least one antenna of a plurality of antennas, the connected transceiver corresponding to the determination of whether the signal is to be transmitted by the first transceiver or the second transceiver.
12. The method of claim 11, further comprising configuring the first transceiver of the plurality of transceivers to transceive with a first protocol and the second transceiver of the plurality of transceivers to transceive with a second protocol.
13. The method of claim 12, further comprising transmitting wherein at least one of the plurality of transceivers is configured to transceive on a transmission medium with a second protocol.

## 15

14. The method of claim 11, further comprising configuring the first transceiver to receive the signal from the first processor and transmit the signal on a data bus to the second transceiver.

15. The method of claim 11, further comprising transmitting the signal through the at least one antenna.

16. The method of claim 12, wherein at least one of the first and second protocols is Bluetooth.

17. The method of claim 12, wherein at least one of the first and second protocols is IEEE 802.11.

18. The method of claim 11, further comprising receiving by a second processor an idle indication signal from one of the first and second transceivers.

19. The method of claim 18, further comprising switching the antenna switch corresponding to the reception of the idle indication signal.

20. The method of claim 11, further comprising transmitting by a second processor a transmit inhibit signal to one of the first and second transceivers, the transmit inhibit signal corresponding to the switching of the antenna switch.

21. A radio comprising:

a transmitter and a receiver for communicating according to a first wireless protocol;

a channel-access controller configured to generate antenna switch control signals to selectively connect an antenna to the transmitter and receiver; and

a host interface for receiving a data block, configured to: determine whether to transmit the data block with the transmitter or to forward the data block to a collateral radio;

in response to determining to transmit the data block with the transmitter, providing the data block to the channel-access controller; and

in response to determining to forward the data block, forwarding the data block to the collateral radio.

22. The radio of claim 21, wherein the collateral radio is configured to transceive on a second protocol.

23. The radio of claim 21, further comprising at least one antenna switch electrically connected to the radio.

24. The radio of claim 23, further comprising at least one antenna electrically connected to the antenna switch.

25. The radio of claim 21, wherein at least one of the first and second protocols is Bluetooth.

26. The radio of claim 21, wherein at least one of the first and second protocols is IEEE 802.11.

27. The radio of claim 21, wherein either the channel-access controller or the host interface is configured to receive an idle-indication signal.

28. The radio of claim 21, wherein either the channel-access controller or the host interface is configured to transmit a transmit-inhibit signal.

29. A radio comprising:

a channel-access controller configured to transmit a data block, and generate an antenna switch control signal responsive to having the data block provided; and

a host interface configured to:

receive the data block from a host interface bus;

determine whether to transmit the data block with a transmitter or to forward the data block to a collateral radio;

in response to determining to transmit the data block with the transmitter, provide the data block to the channel-access controller; and

## 16

in response to determining to forward the data block, forward the data block to the collateral radio.

30. The radio of claim 29, wherein the collateral radio is configured to transceive on a second protocol.

31. The radio of claim 29, further comprising at least one antenna switch electrically connected to the radio.

32. The radio of claim 31, further comprising at least one antenna electrically connected to the antenna switch.

33. The radio of claim 29, wherein either the channel-access controller or the host interface is configured to receive an idle-indication signal.

34. The radio of claim 29, wherein either the channel-access controller or the host interface is configured to transmit a transmit-inhibit signal.

35. A method comprising:

receiving a packet with a first transceiver;

a host interface within the first transceiver determining whether to transmit the packet with the first transceiver operating on a first wireless protocol or to forward the packet to a collateral transceiver operating on a second wireless protocol;

in response to determining to transmit the packet with the first transceiver, a channel access controller within the first transceiver generating a switching control signal for switching an antenna switch; and

in response to determining to forward the packet, the host interface forwarding the packet to the collateral transceiver.

36. The method of claim 35, further comprising transmitting the packet through at least one antenna.

37. The method of claim 35, wherein at least one of the first and second protocols is Bluetooth.

38. The method of claim 35, wherein at least one of the first and second protocols is IEEE 802.11.

39. The method of claim 35, further comprising receiving an idle indication signal by one selected from the group consisting of the channel-access controller and the host interface.

40. The method of claim 35, further comprising transmitting a transmit inhibit signal by one selected from the group consisting of the channel-access controller and the host interface.

41. A radio comprising:

means for generating an antenna switch control signal responsive to having the data block provided;

means for receiving the data block from a host interface bus;

means for determining whether to transmit the data block or to forward the data block, means for transmitting the data block, in response to determining to transmit the data block; and

means for forwarding the data block, in response to determining to forward the data block.

42. The radio of claim 41, further comprising means for transceiving on a second protocol.

43. The radio of claim 41, further comprising means for switching an antenna.

44. The radio of claim 41, further comprising means for receiving an idle-indication signal.

45. The radio of claim 41, further comprising means for transmitting a transmit-inhibit signal.

UNITED STATES PATENT AND TRADEMARK OFFICE  
**CERTIFICATE OF CORRECTION**

PATENT NO. : RE42,722 E  
APPLICATION NO. : 12/777908  
DATED : September 20, 2011  
INVENTOR(S) : Godfrey

Page 1 of 1

It is certified that error appears in the above-identified patent and that said Letters Patent is hereby corrected as shown below:

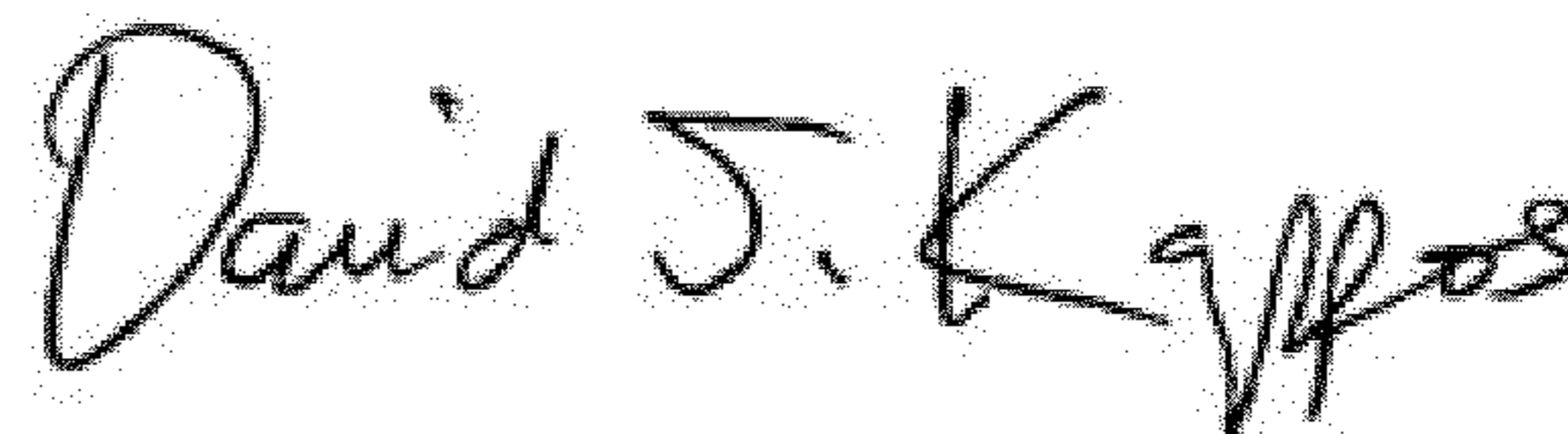
Title page, item (56), under "Other Publications", in Column 2, Line 3, delete "1nfocomm" and insert -- infocomm --.

Column 14, line 56, in Claim 11, delete "is be" and insert -- is to be --.

Column 15, line 32, in Claim 21, delete "*providing*" and insert -- *provide* --.

Column 15, line 35, in Claim 21, delete "*forwarding*" and insert -- *forward* --.

Signed and Sealed this  
Twenty-eighth Day of August, 2012



David J. Kappos  
Director of the United States Patent and Trademark Office