

US00RE42666E

(19) **United States**  
(12) **Reissued Patent**  
**Saotome**

(10) **Patent Number:** **US RE42,666 E**  
(45) **Date of Reissued Patent:** **Sep. 6, 2011**

(54) **TABLE**  
(75) Inventor: **Hiroshi Saotome**, Ryugasaki (JP)  
(73) Assignee: **Okamura Corporation** (JP)  
(\*\*) Term: **14 Years**  
(21) Appl. No.: **29/365,400**  
(22) Filed: **Jul. 8, 2010**

5,121,697 A \* 6/1992 Baum et al. .... 108/124  
D330,299 S \* 10/1992 Saotome ..... D6/429  
D336,393 S \* 6/1993 Saotome ..... D6/484  
D380,632 S \* 7/1997 Schacht ..... D6/495  
D412,256 S \* 7/1999 Gutgsell ..... D6/495  
D512,587 S \* 12/2005 Frenkler et al. .... D6/480  
D552,883 S \* 10/2007 Saotome ..... D6/480  
D554,909 S \* 11/2007 Theemann ..... D6/480

\* cited by examiner

*Primary Examiner* — Janice Seeger  
(74) *Attorney, Agent, or Firm* — Ostrolenk Faber LLP

**Related U.S. Patent Documents**

Reissue of:  
(64) Patent No.: **Des. 588,842**  
Issued: **Mar. 24, 2009**  
Appl. No.: **29/279,079**  
Filed: **Apr. 19, 2007**

(57) **CLAIM**  
The ornamental design for a table, as shown and described.

**DESCRIPTION**

(30) **Foreign Application Priority Data**  
Nov. 10, 2006 (JP) ..... 2006-030800  
(51) **LOC (9) Cl.** ..... **06-03**  
(52) **U.S. Cl.** ..... **D6/480**  
(58) **Field of Classification Search** ..... D6/480-489,  
D6/495-499, 429-431; 108/150, 153.1,  
108/156, 157.1, 161, 115, 124; 248/188,  
248/188.1, 188.8  
See application file for complete search history.

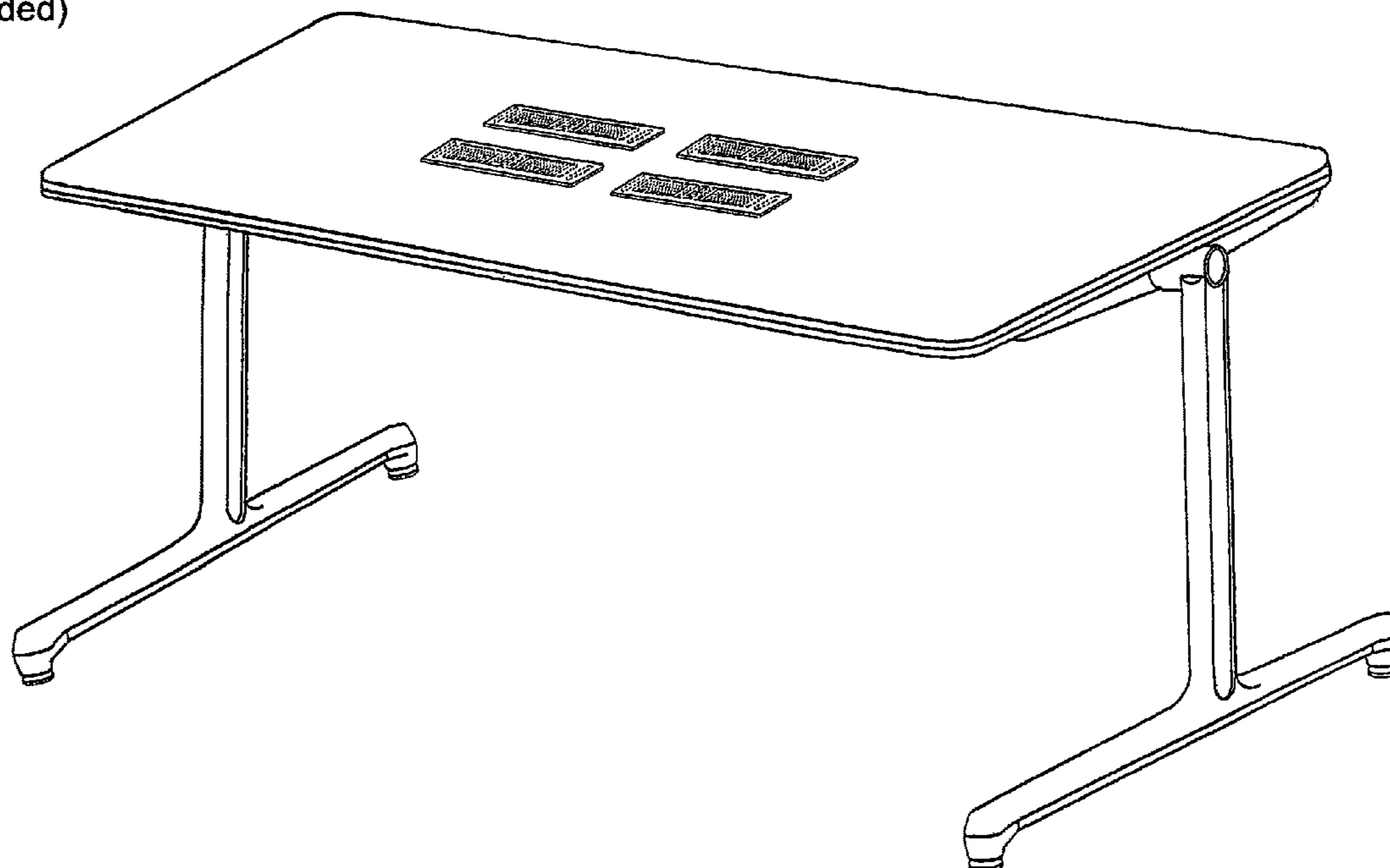
FIG. 1 is a front elevational view of a table showing my new design;  
FIG. 2 is a right side elevational view thereof, the opposite side view being a mirror image;  
FIG. 3 is a top plan view thereof;  
FIG. 4 is a rear elevational view thereof;  
FIG. 5 is a bottom plan view thereof;  
FIG. 6 is a cross-sectional view taken along the lines 6-6 in FIG. 1;  
FIG. 7 is a perspective view of the table; and,  
FIG. 8 is an enlarged perspective view of a fragment of the table as shown in FIG. 7.  
The broken lines are for environmental purposes only and form no part of the claimed design.

(56) **References Cited**  
U.S. PATENT DOCUMENTS  
D164,295 S \* 8/1951 Gierlich ..... D6/429  
D236,058 S \* 7/1975 Kramer ..... D6/484  
D322,729 S \* 12/1991 Diffrient ..... D6/487

**1 Claim, 8 Drawing Sheets**

**Matter enclosed in heavy brackets [ ] appears in the original patent, but forms no part of this reissue; matter printed in italics indicates the additions made by reissue.**

(Amended)



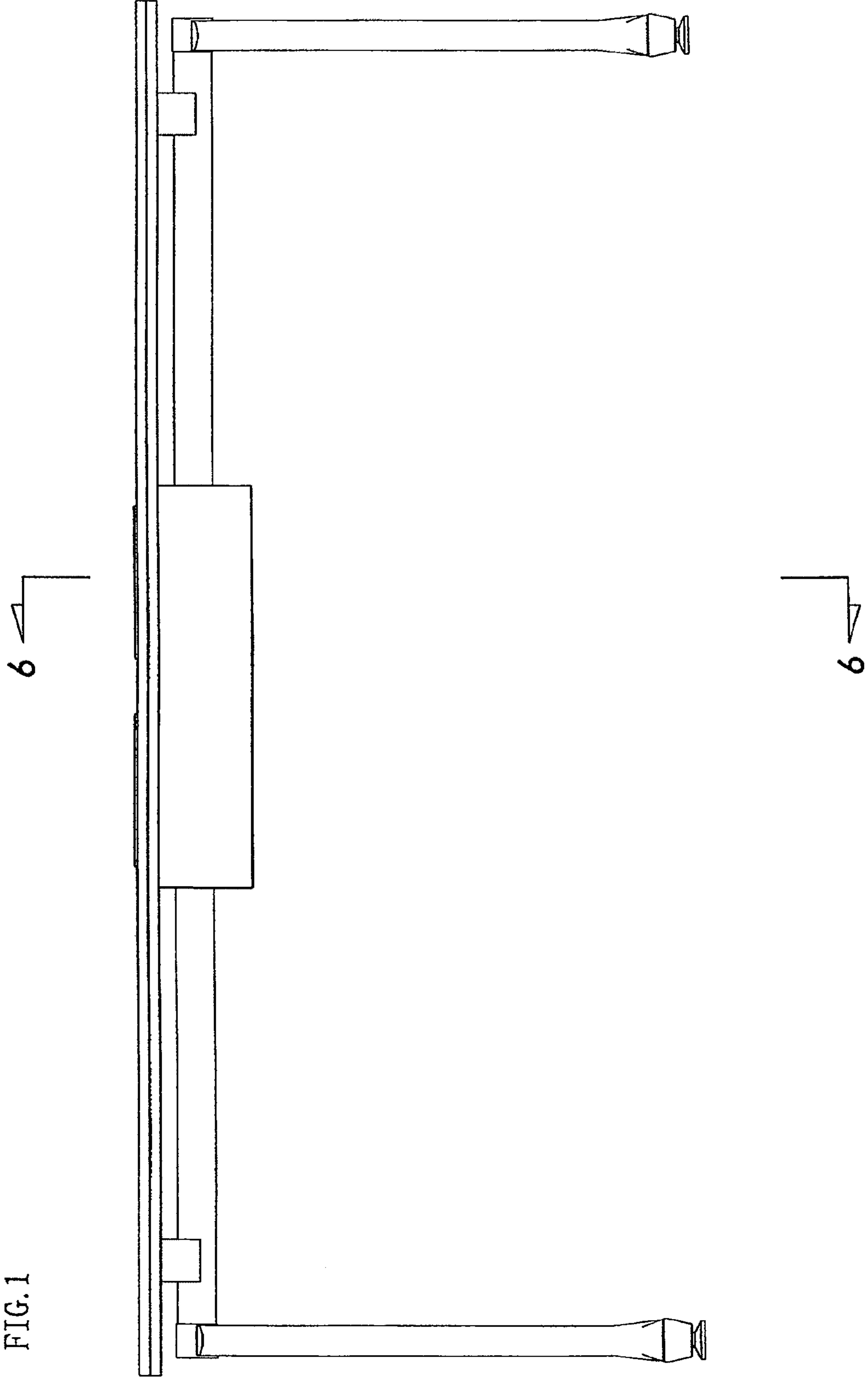
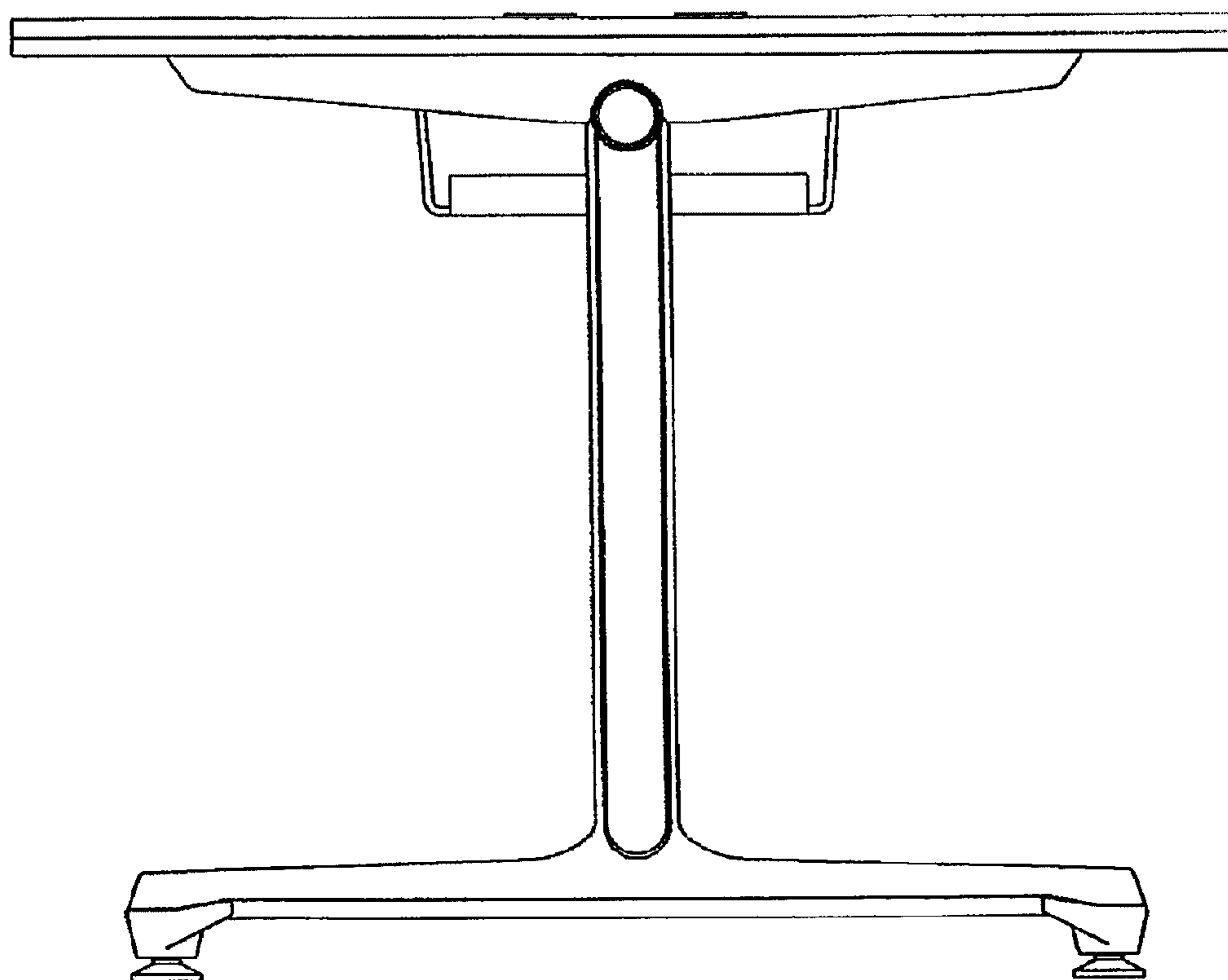


FIG. 2



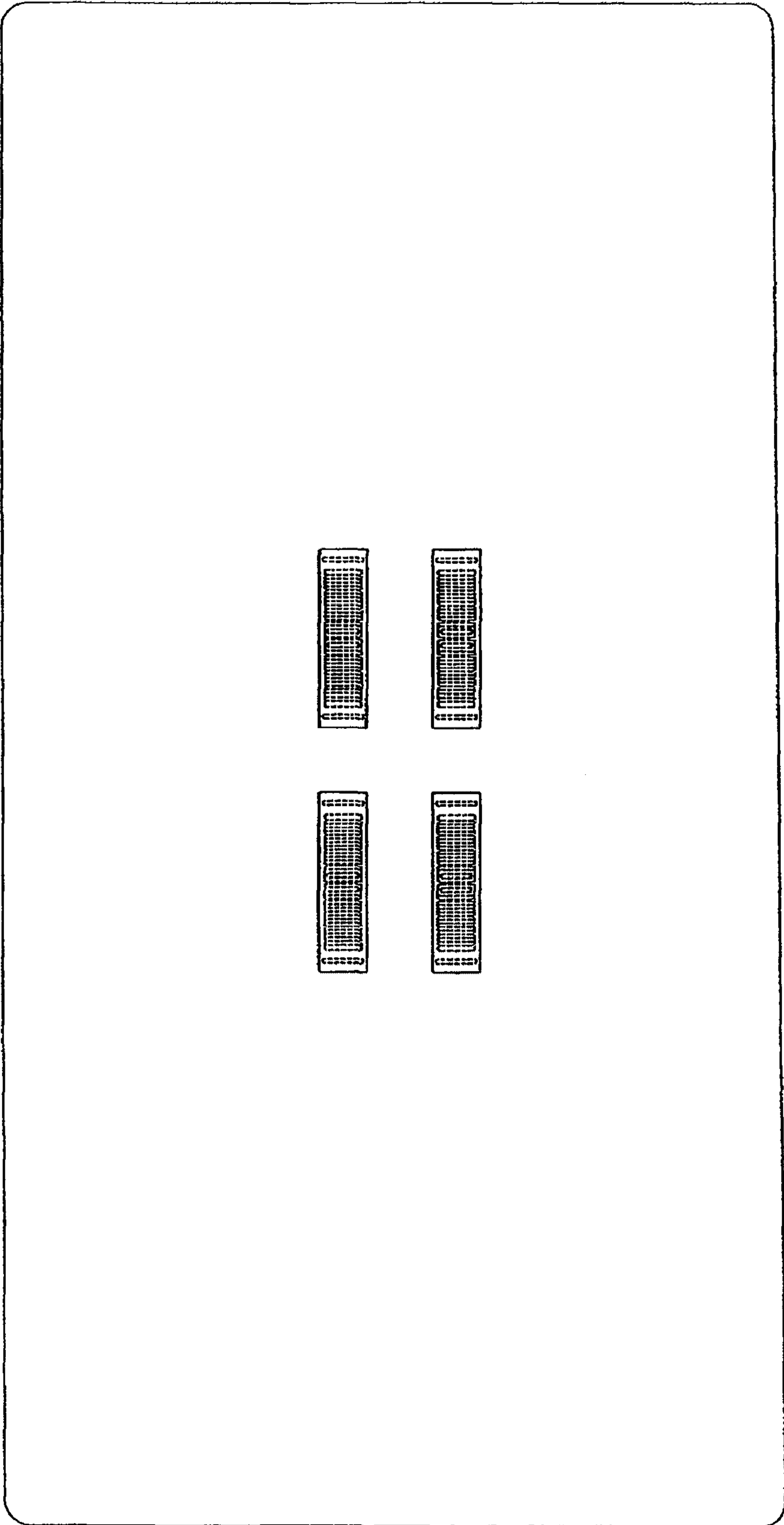
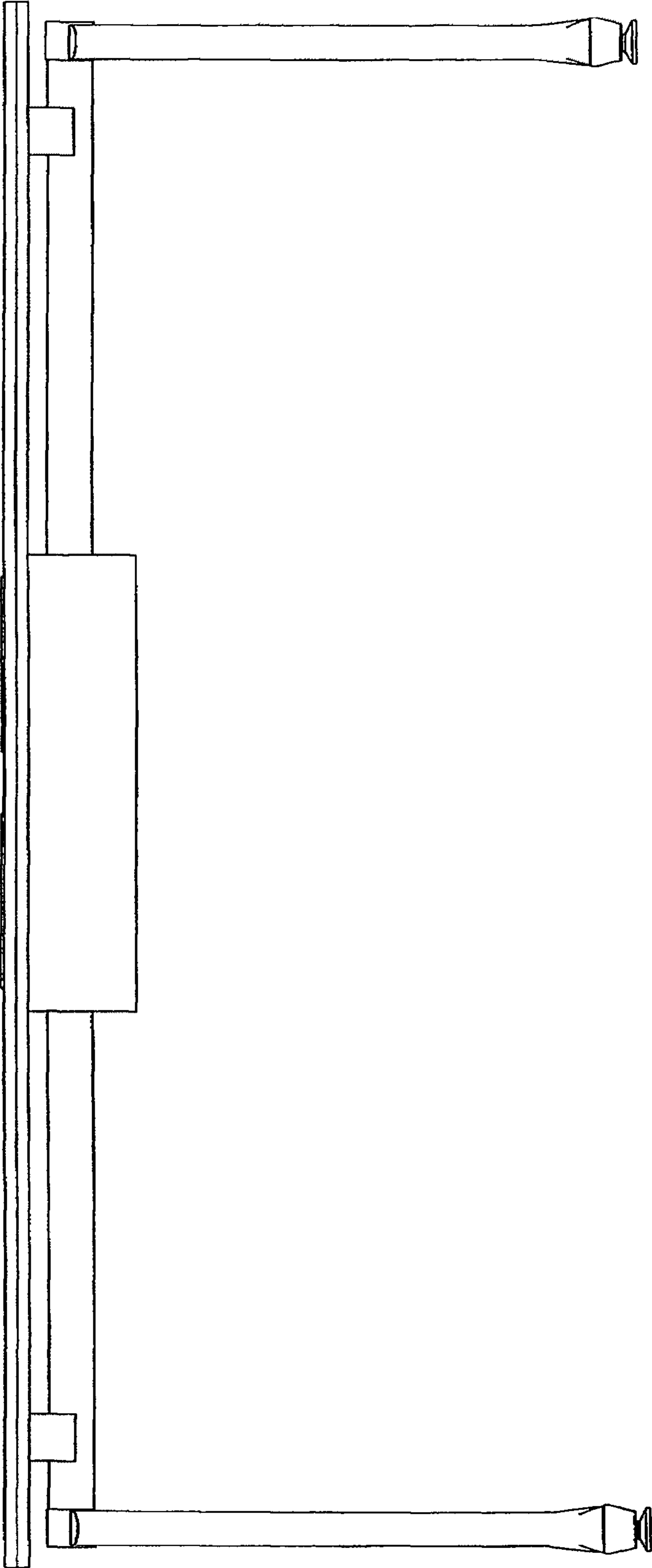


FIG. 3

FIG. 4



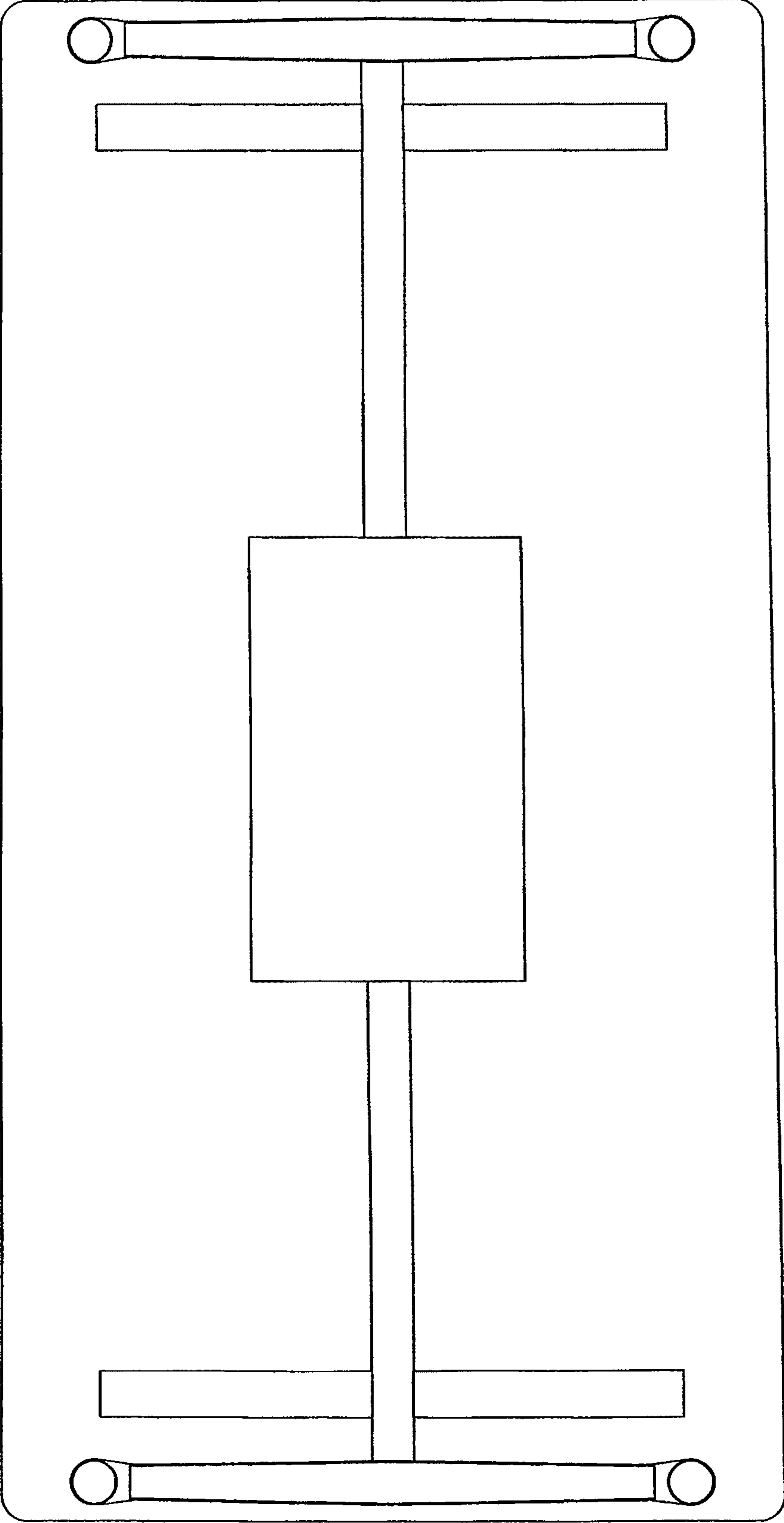
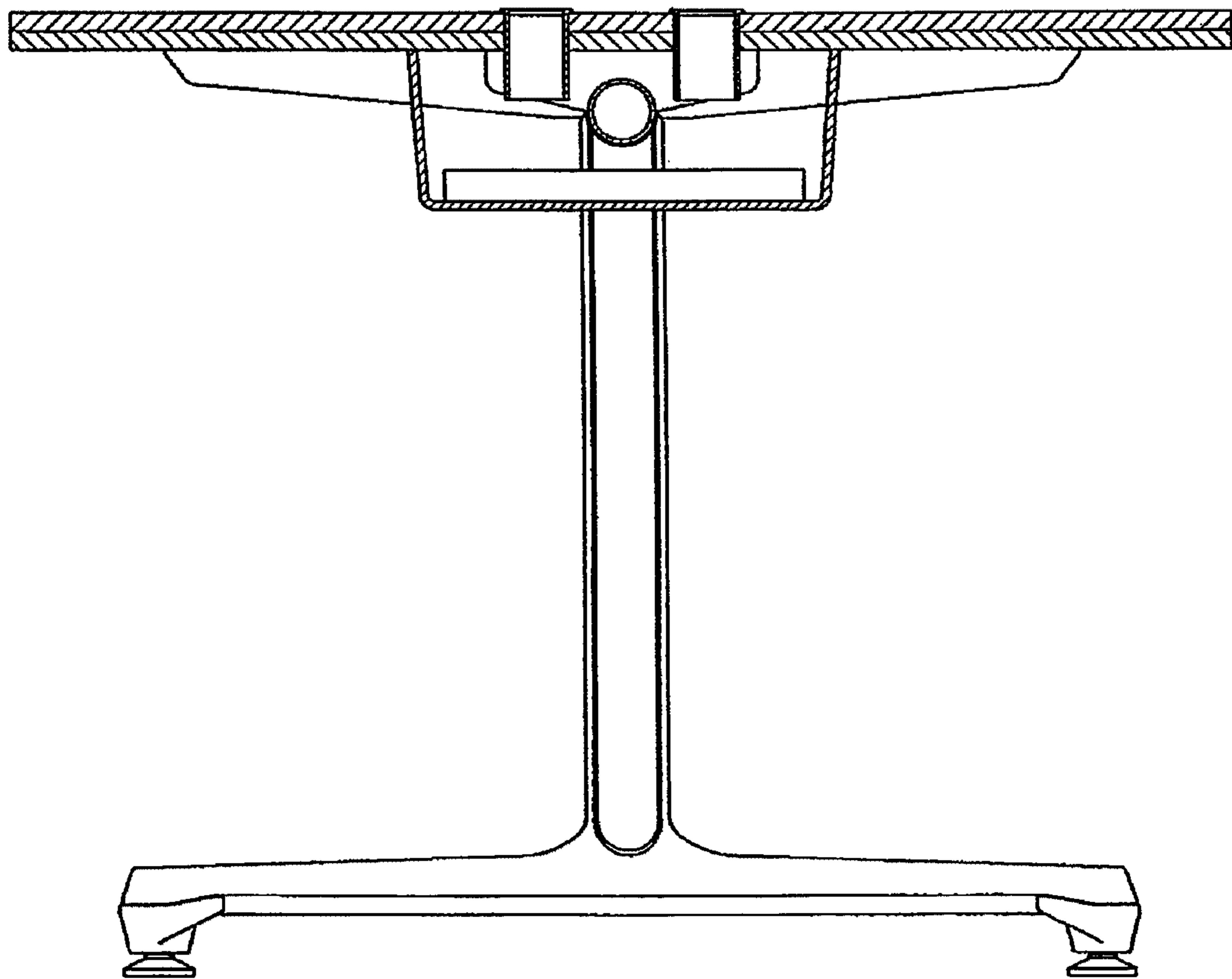


FIG. 5

FIG. 6



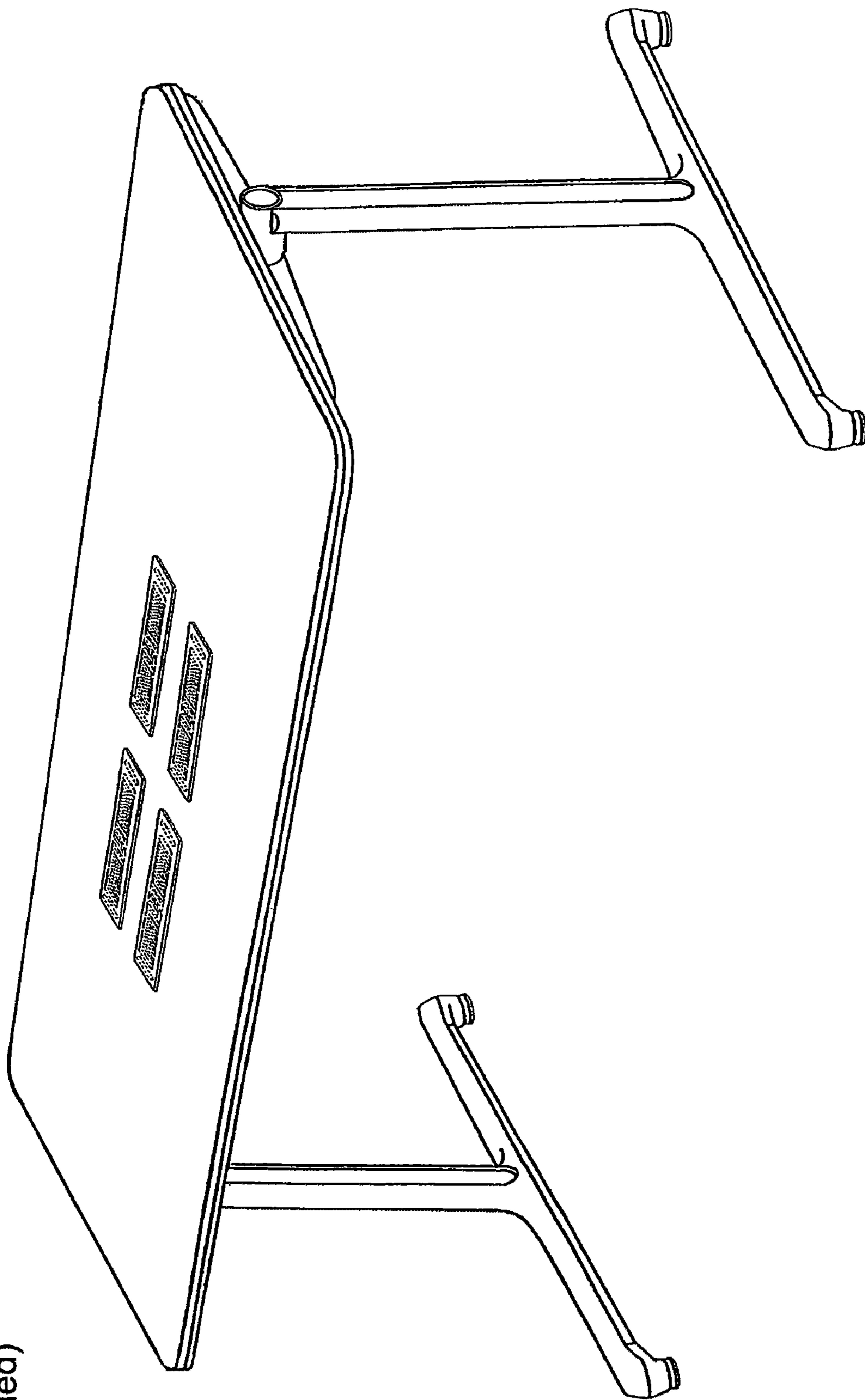


FIG. 7  
(Amended)



FIG. 8

