

US00RE42598E

(19) **United States**
(12) **Reissued Patent**
Negley et al.

(10) **Patent Number:** **US RE42,598 E**
(45) **Date of Reissued Patent:** **Aug. 9, 2011**

(54) **LIGHT EMITTING DIODE ARRAYS FOR DIRECT BACKLIGHTING OF LIQUID CRYSTAL DISPLAYS**

4,966,862 A 10/1990 Edmond
5,024,966 A 6/1991 Dietrich et al.
5,027,168 A 6/1991 Edmond
5,087,949 A 2/1992 Haitz
5,110,278 A 5/1992 Tait et al.
5,143,660 A 9/1992 Hamilton et al.

(75) Inventors: **Gerald H. Negley**, Durham, NC (US);
Antony P. van de Ven, Hong Kong (HK);
Norbert Hiller, Chapel Hill, NC (US)

(Continued)

FOREIGN PATENT DOCUMENTS

(73) Assignee: **Cree, Inc.**, Durham, NC (US)

EP 0 439 227 A1 7/1991

(Continued)

(21) Appl. No.: **12/696,050**

OTHER PUBLICATIONS

(22) Filed: **Jan. 28, 2010**

Aavid Thermalloy, LLC, *Extrusion Profiles*, retrieved Oct. 18, 2004 from <http://www.aavidthermalloy.com/products/extrusion/index.shtml>.

Related U.S. Patent Documents

(Continued)

Reissue of:

(64) Patent No.: **7,322,732**
Issued: **Jan. 29, 2008**
Appl. No.: **11/022,332**
Filed: **Dec. 23, 2004**

Primary Examiner — Sharon E Payne
Assistant Examiner — William J Carter

(51) **Int. Cl.**
F2IV 7/04 (2006.01)

(74) *Attorney, Agent, or Firm* — Myers Bigel Sibley & Sajovec, PA

(52) **U.S. Cl.** **362/612**
(58) **Field of Classification Search** **362/612,**
362/613

(57) **ABSTRACT**

See application file for complete search history.

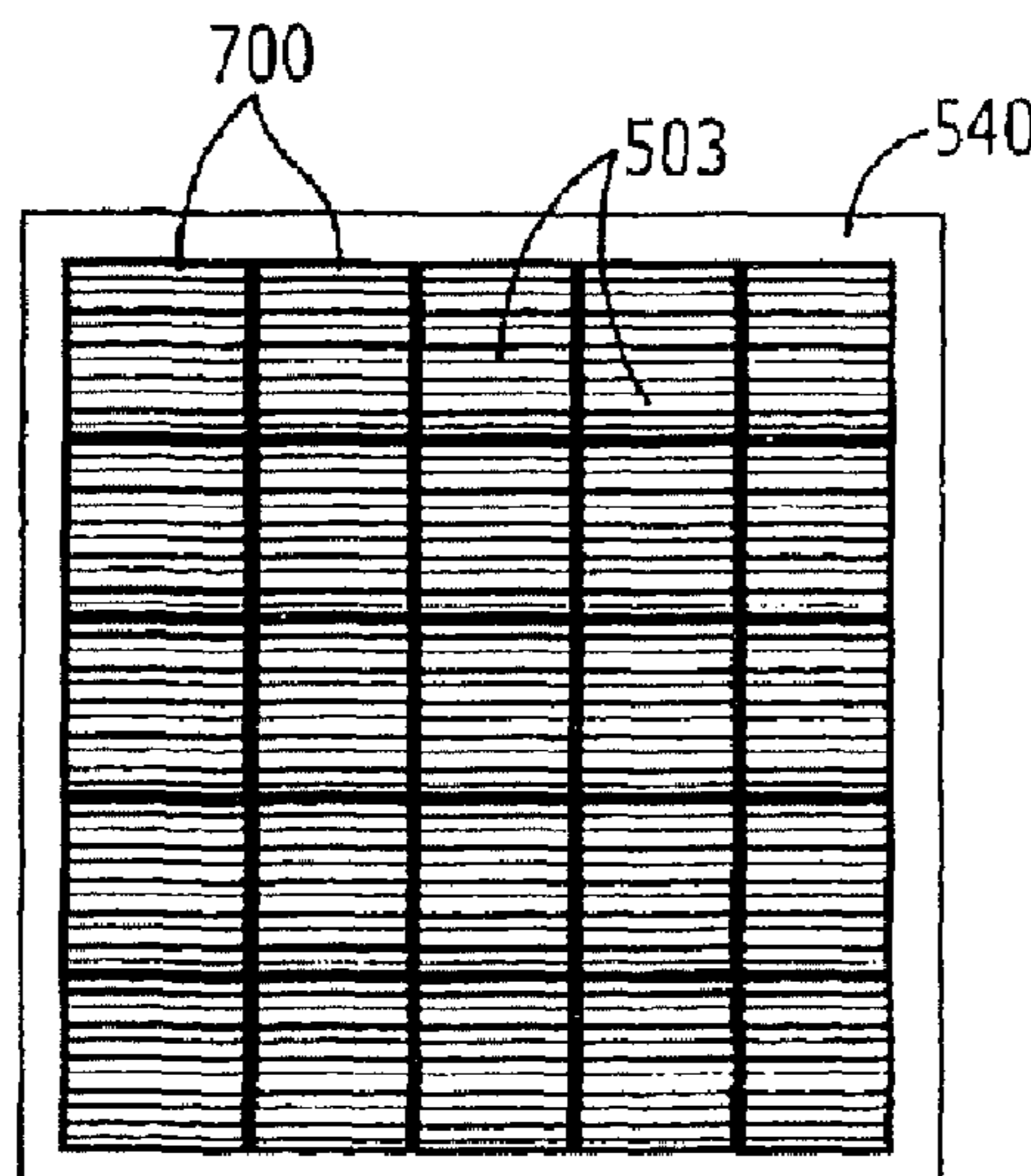
A display panel for a flat panel display includes a planar array of LCD devices and a planar array of LED devices that is closely spaced apart from the planar array of LCD devices, at least some of the LED devices being disposed within a periphery of the array of LCD devices such that, in operation, the planar array of LED devices provides backlighting for the planar array of LCD devices. The planar array of LED devices can include at least one solid metal block having first and second opposing metal faces. The first metal face includes therein an array of reflector cavities, and the second metal face includes therein heat sink fins that are exposed at the back face of the flat panel display.

(56) **References Cited**

60 Claims, 4 Drawing Sheets

U.S. PATENT DOCUMENTS

4,042,552 A 8/1977 Gruzca
4,107,238 A 8/1978 Roper et al.
4,141,941 A 2/1979 Travniczek
4,562,018 A 12/1985 Neefe
4,650,922 A 3/1987 McPherson
4,794,048 A 12/1988 Oboodi et al.
4,826,424 A 5/1989 Arai et al.
4,918,497 A 4/1990 Edmond
4,935,665 A 6/1990 Murata



US RE42,598 E

U.S. PATENT DOCUMENTS

5,166,815	A	11/1992	Elderfield	
5,210,051	A	5/1993	Carter, Jr.	
5,277,840	A	1/1994	Osaka et al.	
5,298,768	A	3/1994	Okazaki et al.	
5,338,944	A	8/1994	Edmond et al.	
5,374,668	A	12/1994	Kanemura et al.	
5,393,993	A	2/1995	Edmond et al.	
5,416,342	A	5/1995	Edmond et al.	
5,523,589	A	6/1996	Edmond et al.	
5,604,135	A	2/1997	Edmond et al.	
5,631,190	A	5/1997	Negley	
5,669,486	A	9/1997	Shima	
5,739,554	A	4/1998	Edmond et al.	
5,753,730	A	5/1998	Nagata et al.	
5,813,753	A	9/1998	Vriens et al.	
5,851,063	A	12/1998	Doughty et al.	
5,857,767	A	1/1999	Hochstein	
5,858,278	A	1/1999	Itoh et al.	
5,882,553	A	3/1999	Prophet et al.	
5,912,477	A	6/1999	Negley	
5,959,316	A	9/1999	Lowery	
5,968,422	A	10/1999	Kennedy	
6,060,729	A	5/2000	Suzuki et al.	
6,066,861	A	5/2000	Höhn et al.	
6,069,440	A	5/2000	Shimizu et al.	
6,120,600	A	9/2000	Edmond et al.	
6,156,242	A	12/2000	Saito et al.	
6,177,688	B1	1/2001	Linthicum et al.	
6,184,544	B1	2/2001	Toda et al.	
6,187,606	B1	2/2001	Edmond et al.	
6,201,262	B1	3/2001	Edmond et al.	
6,219,223	B1	4/2001	Kobayashi et al.	
6,252,254	B1	6/2001	Soules et al.	
6,329,676	B1	12/2001	Takayama et al.	
6,346,973	B1	2/2002	Shibamoto et al.	
6,373,188	B1	4/2002	Johnson et al.	
6,383,417	B1	5/2002	Paulson et al.	
6,391,231	B1	5/2002	Evans et al.	
6,404,125	B1	6/2002	Garbuzov et al.	
6,480,389	B1	11/2002	Shie et al.	
6,498,355	B1	12/2002	Harrah et al.	
6,517,218	B2	2/2003	Hochstein	
6,521,915	B2	2/2003	Odaki et al.	
6,531,328	B1	3/2003	Chen	
6,562,643	B2	5/2003	Chen	
6,576,930	B2	6/2003	Reeh et al.	
6,599,768	B1	7/2003	Chen	
6,639,356	B2	10/2003	Chin	
6,686,609	B1	2/2004	Sung	
6,707,069	B2	3/2004	Song et al.	
6,734,465	B1	5/2004	Taskar et al.	
6,744,077	B2	6/2004	Trottier	
6,783,362	B2	8/2004	Cao	
6,789,921	B1	9/2004	Deloy et al.	
6,791,151	B2	9/2004	Lin et al.	
6,824,294	B2	11/2004	Cao	
6,853,131	B2	2/2005	Srivastava et al.	
6,948,840	B2	9/2005	Grenda et al.	
7,001,059	B2	2/2006	Han et al.	
7,042,527	B2 *	5/2006	Imai 348/742	
7,134,767	B2 *	11/2006	Liao et al. 362/613	
2002/0006044	A1 *	1/2002	Harbers et al. 362/561	
2002/0123164	A1	9/2002	Slater, Jr. et al.	
2002/0172354	A1	11/2002	Nishi	
2003/0006418	A1	1/2003	Emerson et al.	
2003/0032212	A1	2/2003	Wang et al.	
2003/0067264	A1	4/2003	Takekuma	
2003/0080341	A1	5/2003	Sakano et al.	
2003/0098459	A1	5/2003	Horiuchi et al.	
2003/0128313	A1	7/2003	Kaminsky et al.	
2003/0153861	A1	8/2003	Royer	
2003/0173575	A1	9/2003	Eisert et al.	
2003/0189829	A1	10/2003	Shimizu et al.	
2004/0041222	A1	3/2004	Loh	
2004/0041757	A1	3/2004	Yang et al.	
2004/0056260	A1	3/2004	Slater, Jr. et al.	
2004/0065894	A1	4/2004	Hashimoto et al.	
2004/0066556	A1	4/2004	Dontula et al.	

2004/0079957	A1	4/2004	Andrews et al.	
2004/0095738	A1	5/2004	Juang	
2004/0120155	A1	6/2004	Suenaga	
2004/0211970	A1	10/2004	Hayashimoto et al.	
2004/0222433	A1	11/2004	Mazzochette et al.	
2004/0253427	A1	12/2004	Yokogawa et al.	
2004/0264212	A1 *	12/2004	Chung et al. 362/561	
2006/0023448	A1 *	2/2006	Mok et al. 362/373	
2006/0087866	A1	4/2006	Ng et al.	

FOREIGN PATENT DOCUMENTS

EP	1 045 458	A2	10/2000
EP	1 059 667	A2	12/2000
EP	1 139 439	A1	10/2001
GB	2 371 629	A	7/2002
JP	4-159519		6/1992
JP	4-159519	A	6/1992
JP	5-152609	A	6/1993
JP	6-151974	A	5/1994
JP	6-177429	A	6/1994
JP	6-244458	A	9/1994
JP	08-116095		5/1996
JP	8-116095	A	5/1996
JP	8-162676	A	6/1996
JP	9-083018	A	3/1997
JP	09-083018	A	3/1997
JP	9-146089	A	6/1997
JP	9-246603	A	9/1997
JP	10-098215	A	4/1998
JP	10-98215	A	4/1998
JP	10-242513	A	9/1998
JP	11-261114	A	9/1999
JP	11-298047	A	10/1999
JP	2000-101147	A	4/2000
JP	2000-174347	A	6/2000
JP	2000-183405	A	6/2000
JP	2000-286455	A	10/2000
JP	2000-286458	A	10/2000
JP	2001-077427	A	3/2001
JP	2001-77427	A	3/2001
JP	2001-077433	A	3/2001
JP	2001-77433	A	3/2001
JP	2001-144334	A	5/2001
JP	2001-230453	A	8/2001
JP	2002-118293	A	4/2002
JP	2002-158378	A	5/2002
JP	2002-223004	A	8/2002
JP	2002-280616	A	9/2002
JP	2003-17755	A	1/2003
JP	2003-017755	A	1/2003
JP	2003-243718	A	8/2003
JP	2003-318448	A	11/2003
WO	97/024706	A2	7/1997
WO	97/024706	A3	7/1997
WO	WO 97/24706	A2	7/1997
WO	WO 97/24706	A3	7/1997
WO	01/043113	A1	6/2001
WO	WO 01/43113	A1	6/2001
WO	01/061764	A1	8/2001
WO	WO 01/61764	A1	8/2001
WO	02/059982	A1	8/2002
WO	WO 02/059982	A1	8/2002
WO	03/056876	A2	7/2003
WO	03/056876	A3	7/2003
WO	03/091771	A1	11/2003
WO	WO 03/091771	A1	11/2003

OTHER PUBLICATIONS

Andrews, *Methods for Packaging A Light Emitting Devices*, U.S. Appl. No. 60/557,924, filed Mar. 31, 2004.

Andrews, *Reflector Packages and Methods for Packaging of a Semiconductor Light Emitting Devices*, U.S. Appl. No. 60/558,314, filed Mar. 31, 2004.

Cabot Corporation, *Using Nanogel in Daylighting Systems*, retrieved Jan. 11, 2005 from <http://w1.cabot-corp.com/Controller.jsp?> . . .

Craford, *Overview of Device Issues in High-Brightness Light-Emitting Diodes*, Chapter, *High Brightness Light Emitting Diodes: Semiconductors and Semimetals*, vol. 48, Stringfellow et al. ed., Academic Press, 1997, pp. 47-63.

Cree, Inc., *Cree Optoelectronics LED Product Line*, Publication CPR3AX, Rev. D, 2001-2002.

Heatron, *ELPOR® Product Information*, retrieved Oct. 6, 2004 from <http://www.heatron.com>.

Heatron, *Metal Core PCBs for LED Light Engines* (Product Brochure), retrieved from <http://www.heatron.com>.

International Search Report, PCT/US03/27912, Jan. 30, 2004.

IRC Advanced Film Division, *Insulated Aluminum Substrates* (Product Brochure) retrieved from <http://www.irctt.com>, copyright 2002.

IRC Advanced Film Division, *Thick Film Application Specific Capabilities* (Product Brochure), retrieved from <http://www.irctt.com>, copyright 2002.

Loh, *Power Surface Mount Light Emitting Die Package*, U.S. Appl. No. 10/446,532, May 27, 2003.

Morris, *IRC's Anotherm™ PC Boards Eliminate Heat for Automotive LED Applications*, Mar. 16, 2004 Press Release, retrieved Sep. 17, 2004 from http://www.irctt.com/pages/Anotherm_PressRelease.cfm.

Negley et al., *Methods of Coating Semiconductor Light Emitting Elements by Evaporating Solvent From a Suspension*, U.S. Appl. No. 10/946,587, filed Sep. 21, 2004.

Negley et al., *Solid Block Mounting Substrates for Semiconductor Light Emitting Devices and Oxidizing Methods for Fabricating Same*, U.S. Appl. No. 10/659,108, filed Sep. 9, 2003.

Negley et al., *Solid Colloidal Dispersions for Backlighting of Liquid Crystal Displays*, U.S. Appl. No. 11/034,240, filed Jan. 12, 2005.

Negley et al., *Transmissive Optical Elements Including Transparent Plastic Shelf Having a Phosphor Dispersed Therein, and Methods of Fabricating Same*, U.S. Appl. No. 10/659,240, filed Sep. 9, 2003.

Negley, *Reflective Optical Elements for Semiconductor Light Emitting Devices*, U.S. Appl. No. 10/898,608, filed Jul. 23, 2004.

Negley, *Semiconductor Light Emitting Device Mounting Substrates and Packages Including Cavities and Cover Plates, and Methods of Packaging Same*, U.S. Appl. No. 11/011,748, filed Dec. 14, 2004.

Negley, *Semiconductor Light Emitting Devices Including Patternable Films Comprising Transparent Silicone and Phosphor, and Methods of Manufacturing Same*, U.S. Appl. No. 10/947,704, filed Sep. 23, 2004.

Negley, *Solid Metal Block Semiconductor Light Emitting Devices Mounting Substrates and Packages Including Cavities and Heat Sinks, and Methods of Packaging Same*, U.S. Appl. No. 10/972,910, filed Oct. 25, 2004.

Notification of Transmittal of the International Search Report and the Written Opinion of the International Searching Authority, or the Declaration, International Search Report, and Written Opinion of the International Searching Authority, PCT International Application No. PCT/US2006/002117, May 30, 2006.

Notification of Transmittal of the International Search Report and the Written Opinion of the International Searching Authority, or the Declaration, International Search Report, and Written Opinion of the International Searching Authority, PCT International Application No. PCT/US2005/043719; May 26, 2006.

Notification of Transmittal of the International Search Report and the Written Opinion of the International Searching Authority, or the Declaration, International Search Report, and Written Opinion of the International Searching Authority, PCT International Application No. PCT/US2005/044805; May 9, 2006.

Notification of Transmittal of the International Search Report and the Written Opinion of the International Searching Authority, or the Declaration, International Search Report, and Written Opinion of the International Searching Authority, PCT International Application No. PCT/US2006/000414; May 8, 2006.

Notification of Transmittal of the International Search Report and the Written Opinion of the International Searching Authority, or the Declaration, International Search Report, and Written Opinion of the International Searching Authority, PCT International Application No. PCT/US2005/023873; May 8, 2006.

Notification of Transmittal of the International Search Report and the Written Opinion of the International Searching Authority, or the Declaration, International Search Report, and Written Opinion of the International Searching Authority, PCT International Application No. PCT/US2004/017326; Jul. 14, 2005.

Notification of Transmittal of The International Search Report and The Written Opinion of the International Searching Authority, or the Declaration, International Search Report and Written Opinion of the International Searching Authority, PCT/US2004/017325, Sep. 28, 2004.

Slater, Jr. et al., *Phosphor-Coated Light Emitting Diodes Including Tapered Sidewalls and Fabrication Methods Therefor*, U.S. Appl. No. 60/411,980, Sep. 19, 2002.

* cited by examiner

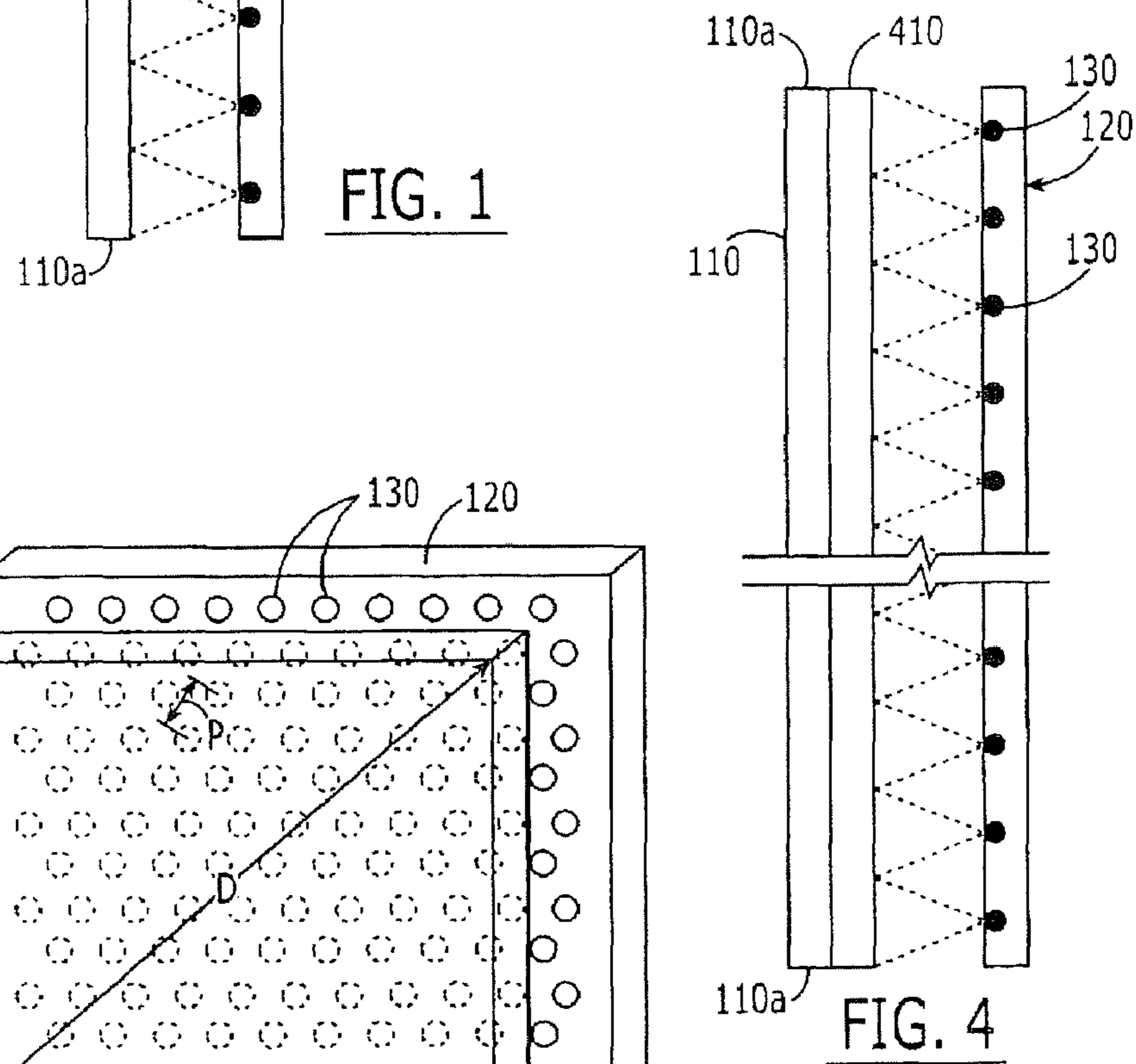
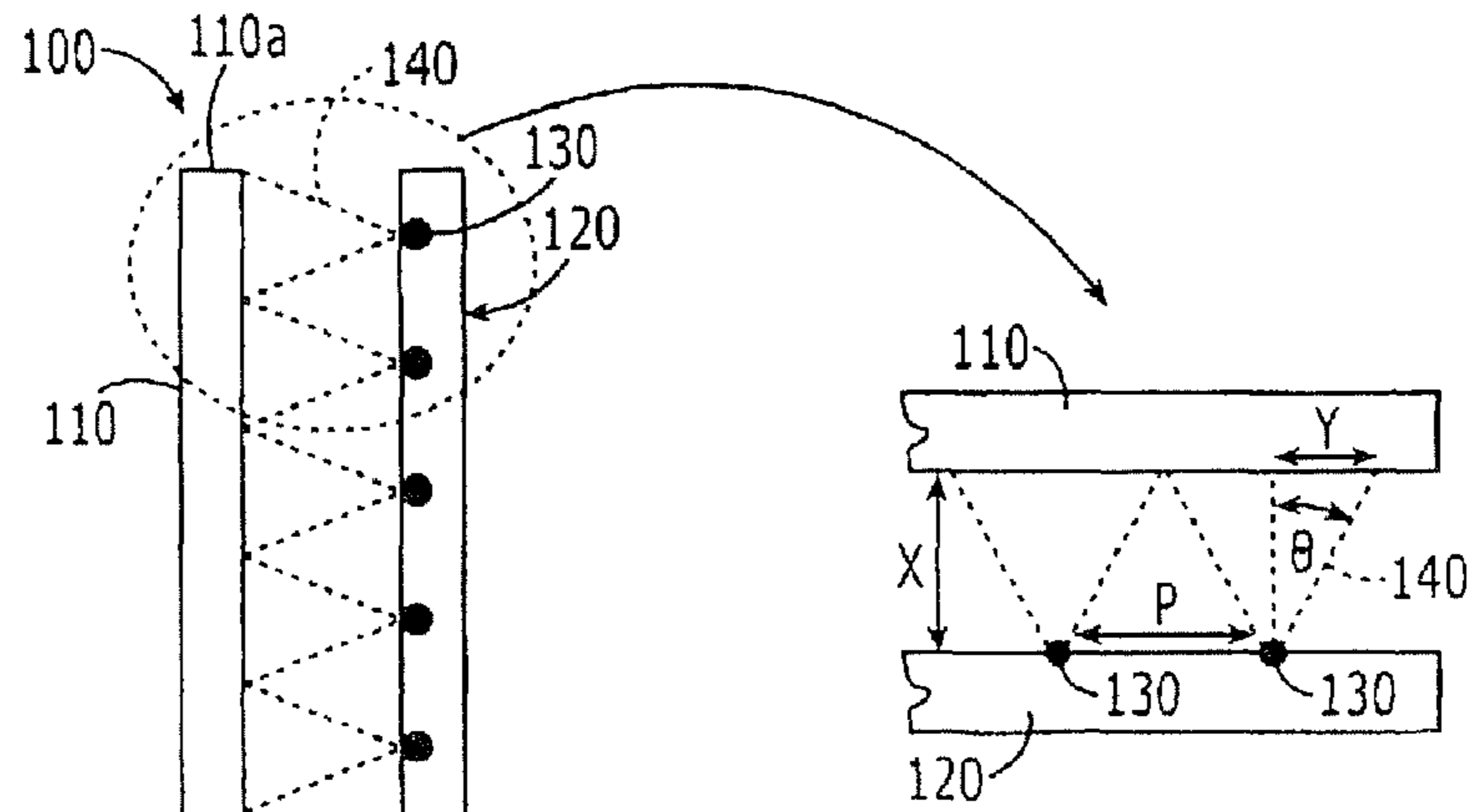


FIG. 2

FIG. 3

FIG. 1

FIG. 4

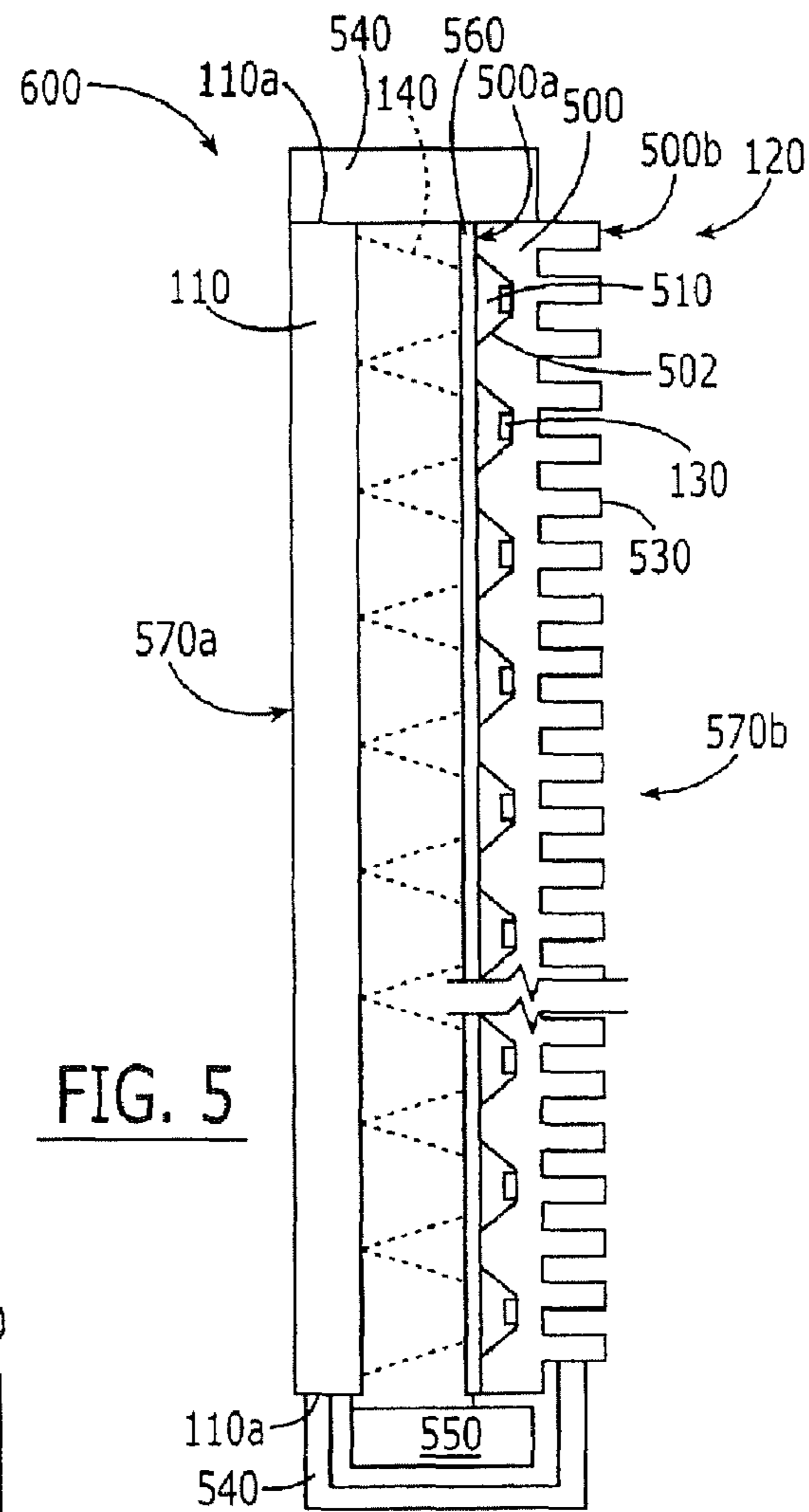


FIG. 5

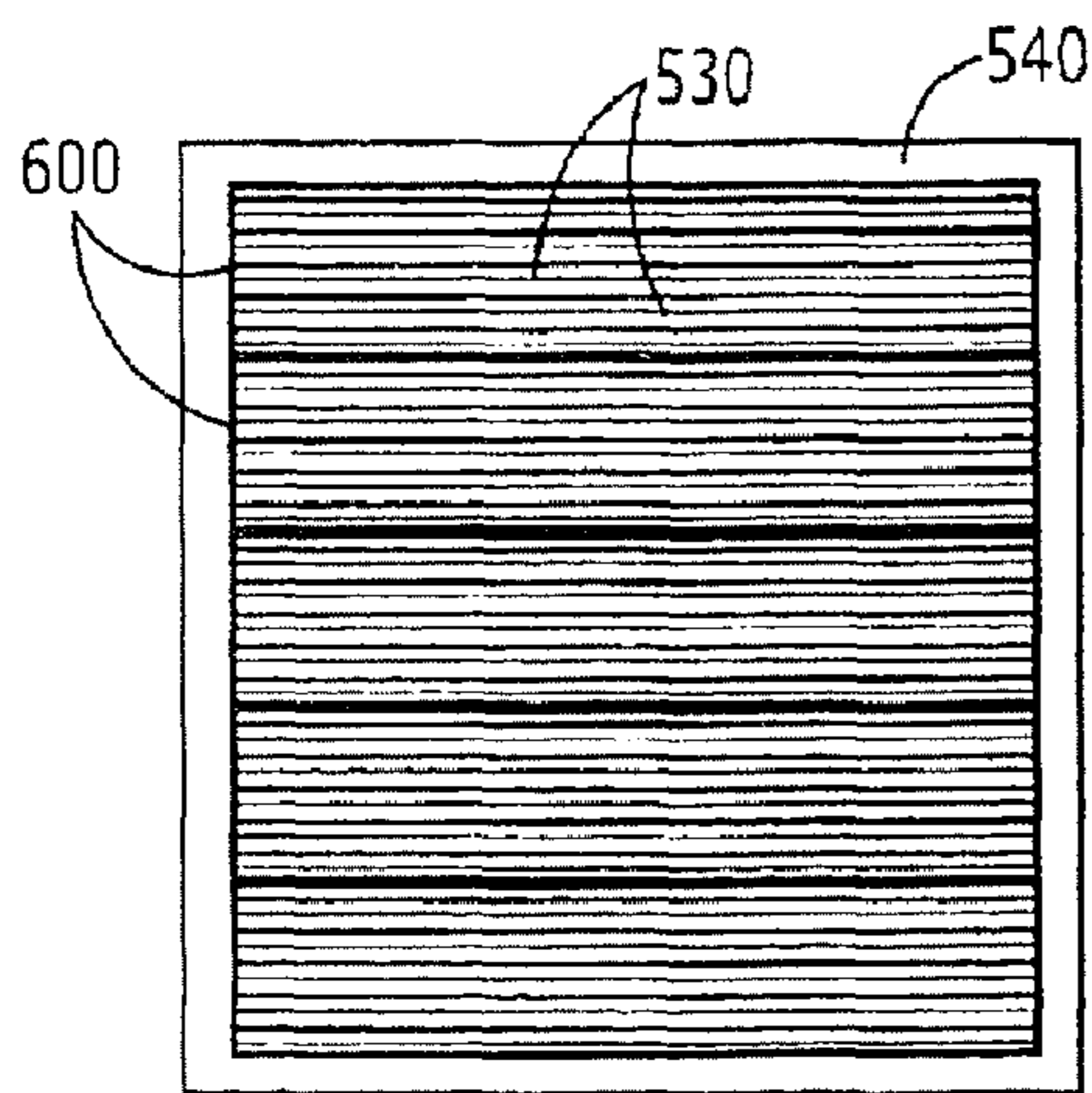


FIG. 6

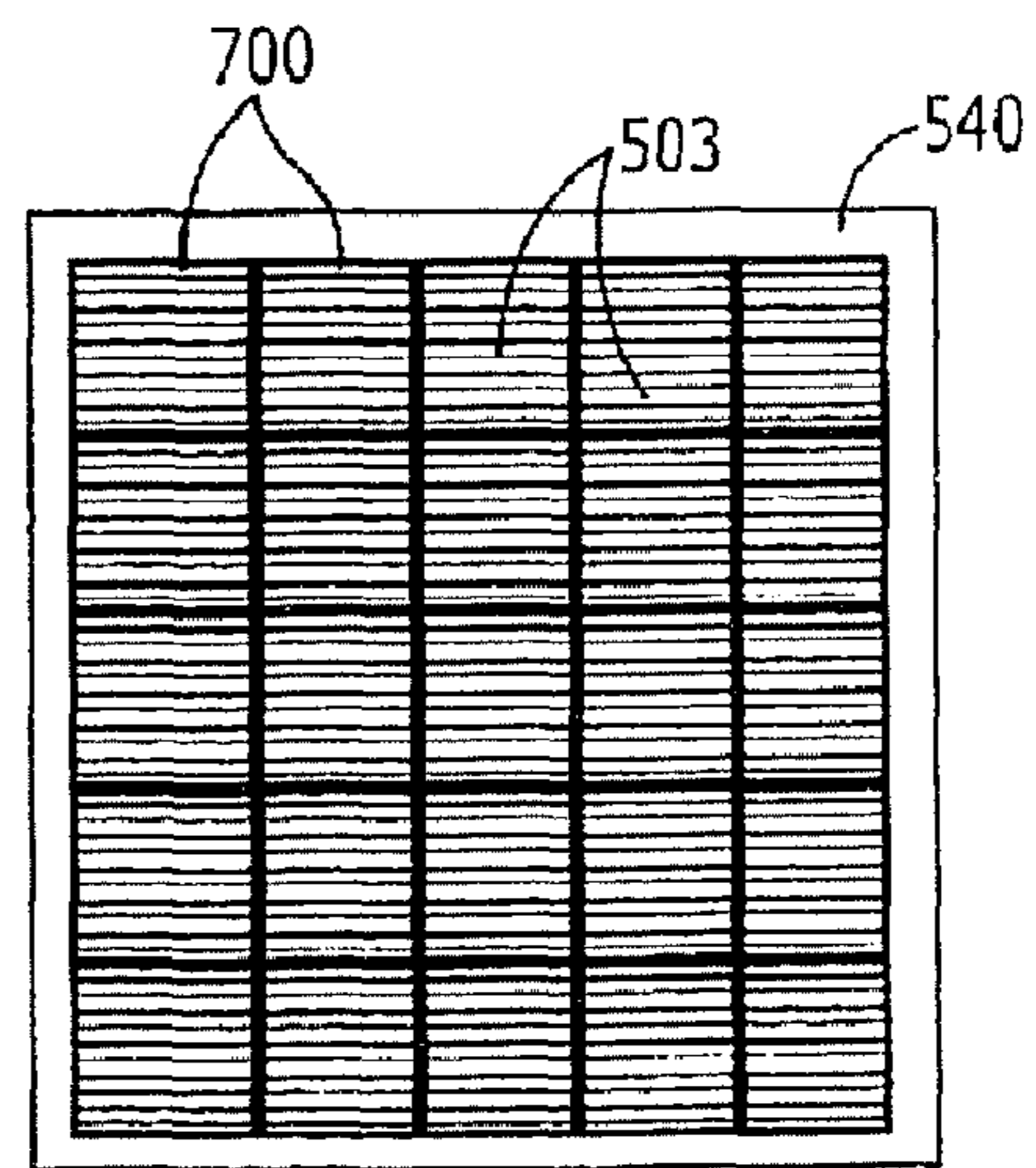


FIG. 7

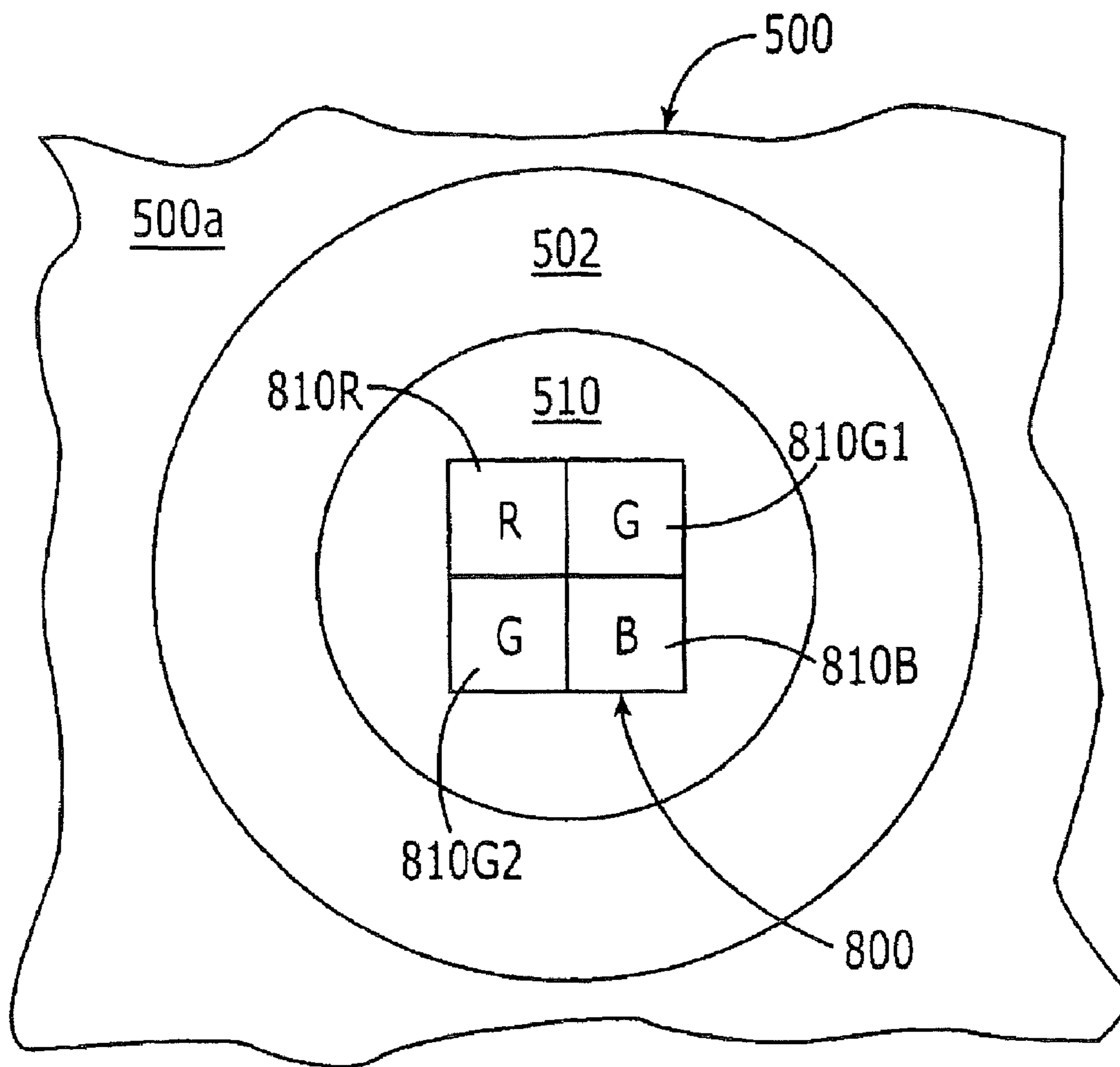


FIG. 8

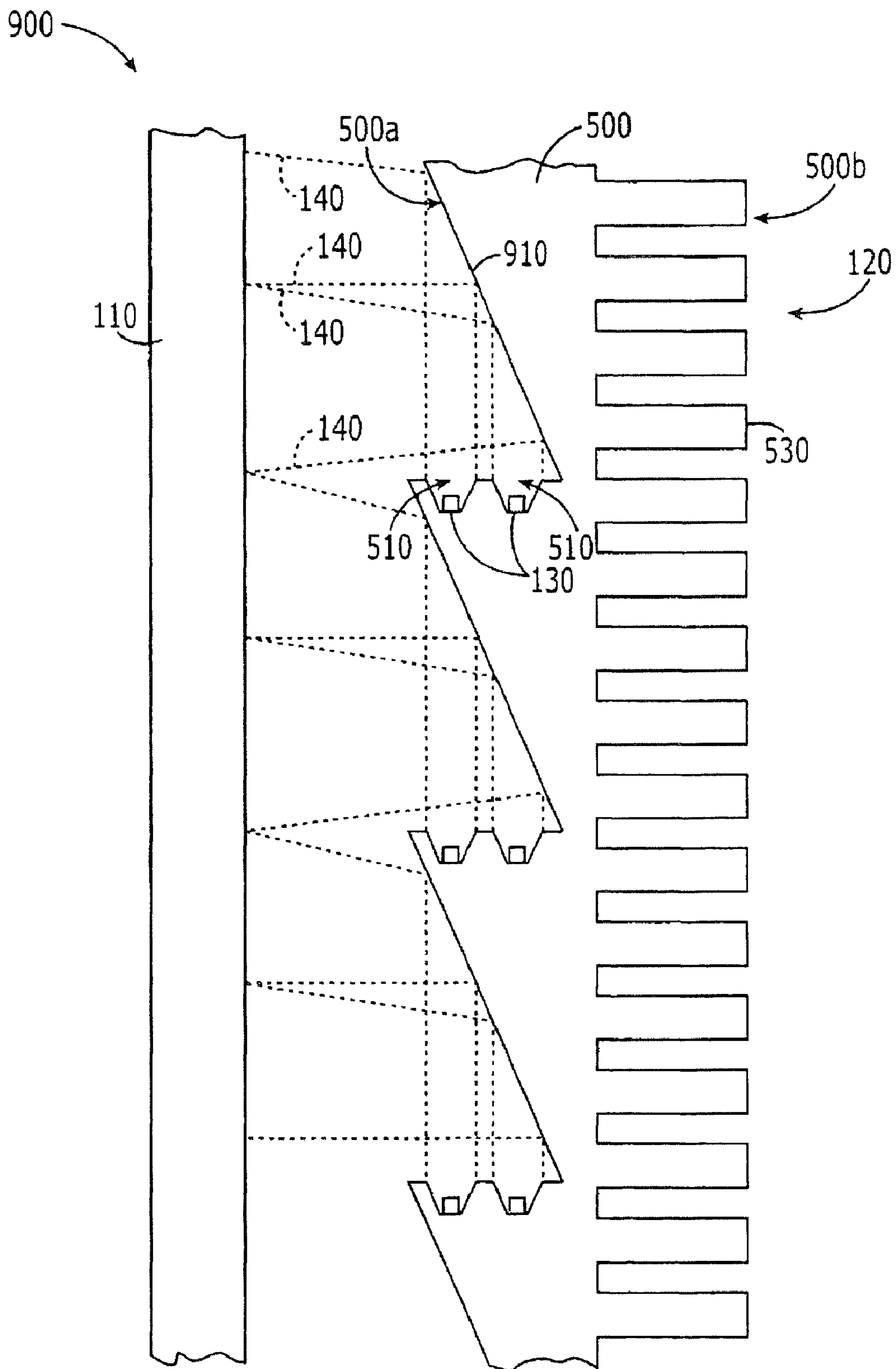


FIG. 9

**LIGHT EMITTING DIODE ARRAYS FOR
DIRECT BACKLIGHTING OF LIQUID
CRYSTAL DISPLAYS**

Matter enclosed in heavy brackets [] appears in the original patent but forms no part of this reissue specification; matter printed in italics indicates the additions made by reissue.

FIELD OF THE INVENTION

This invention relates to Liquid Crystal Display (LCD) devices, and more particularly, to backlighting of LCD devices.

BACKGROUND OF THE INVENTION

LCD devices are widely used in flat panel displays for monitors, televisions and/or other displays. As is well known to those having skill in the art, an LCD display generally includes a planar array of LCD devices that act as an array of optical shutters. Transmissive LCD displays employ backlighting using fluorescent tubes above, beside and sometimes behind the array of LCD devices. A diffusion panel behind the LCD devices can be used to redirect and scatter the light evenly to provide a more uniform display.

For example, it is known to use one or more fluorescent cold cathode tubes adjacent one or more edges of the planar array of LCD devices, and a light guide or light pipe that directs the light from the fluorescent cold cathode tubes, to illuminate the face of the planar array of LCD devices. Unfortunately, such edge lighting may be inefficient, with up to 50% or more of the light being lost.

It is also known to provide an array of fluorescent cold cathode tubes behind and facing the planar array of LCD devices. Unfortunately, an array of fluorescent cold cathode tubes may increase the thickness of the LCD display and/or increase the power consumption thereof. It also may be difficult to uniformly illuminate the planar array of LCD devices with the array of fluorescent cold cathode tubes.

Semiconductor light emitting devices, such as Light Emitting Diode (LED) devices, also may be used for edge illumination of a planar array of LCD devices. For example, U.S. patent application Ser. No. 10/898,608, filed Jul. 23, 2004, entitled Reflective Optical Elements for Semiconductor Light Emitting Devices, to inventor Negley, and assigned to the assignee of the present invention, the disclosure of which is hereby incorporated herein by reference in its entirety as if set forth fully herein, describes side emission LEDs that may be used for large area LCD and/or television backlighting.

SUMMARY OF THE INVENTION

Some embodiments of the present invention provide a display panel for a flat panel display that includes a planar (i.e., a two dimensional) array of LCD devices and a planar array of LED devices that is closely spaced apart from the planar array of LCD devices, at least some of the LED devices being disposed within a periphery of the array of LCD devices such that, in operation, the planar array of LED devices provides backlighting for the planar array of LCD devices. In some embodiments, the planar arrays of LCD and LED devices are at least 17 inches in size along a diagonal thereof. In other embodiments, the planar array of LED devices is configured to emit light that appears as white light. In still other embodiments of the present invention, the LED devices in the planar

array of LED devices are spaced sufficiently close to one another so as to provide uniform backlighting of the planar array of LCD devices.

In some embodiments, the planar array of LED devices is configured to transmit light from the planar array of LED devices through the planar array of LCD devices, along a light path that extends generally perpendicular to the planar arrays of LCD and LED devices. In other embodiments, the light path does not redirect the light to be parallel to the planar arrays of LCD and LED devices. In still other embodiments, a reflector-free light path is provided between the planar array of LED devices and the planar array of LCD devices. In yet other embodiments, the planar array of LED devices is configured to emit light generally parallel to the planar array of LCD devices. In these embodiments, an array of reflectors may be configured to redirect the light that is emitted generally parallel to the planar array of LCD devices along a light path that extends generally perpendicular to the planar arrays of LCD and LED devices.

In other embodiments, a planar optical film is located between the planar array of LCD devices and the planar array of LED devices, such that, in operation, the planar array of LED devices transmits light through the planar optical film and to the planar array of LCD devices. The planar optical film may include polarizers, scatterers and/or other optical elements.

In some embodiments of the invention, the planar array of LED devices includes at least one solid metal block having first and second opposing metal faces that extend parallel to the array of LCD devices. The first metal face is facing toward the array of LCD devices, and the second metal face is facing away from the array of LCD devices. The first metal face includes therein an array of reflector cavities, and the second metal face includes therein a plurality of heat sink fins. At least one LED device is mounted in a respective reflector cavity such that, in operation, the reflector cavity reflects light that is emitted by the at least one LED device that is mounted therein away from the reflector cavity. In some embodiments, the at least one LED device that is mounted in the respective reflector cavity is configured to emit light that appears as white light in operation. In other embodiments, the at least one LED device that is mounted in the respective reflector cavity consists of a red LED device, a blue LED device and two green LED devices. In some embodiments, the two green LED devices emit green light at different frequencies.

It will be understood that embodiments of the invention have been described above in connection with display panels for flat panel displays. However, other embodiments of the invention can provide an LED-based backlighting system for an LCD display, according to any of the embodiments that were described above. Moreover, still other embodiments of the invention can add other components such as a frame and/or electronics to provide a flat panel display. Analogous backlighting methods also may be provided.

Other embodiments of the present invention provide a flat panel display that includes a front face comprising a planar (i.e., two dimensional) array of LCD devices, and a back face comprising at least one solid metal block. The solid metal block includes first and second opposing metal faces that extend parallel to the array of LCD devices. The first metal face is facing toward the array of LCD devices, and the second metal face is facing away from the array of LCD devices. The first metal face includes therein an array of reflector cavities and the second metal face includes therein a plurality of heat sink fins that are exposed at the back face of the flat panel display. At least one LED device is mounted in a respective reflector cavity such that, in operation, the reflector cavity

reflects light that is emitted by the at least one LED device that is mounted therein away from the reflector cavity.

In some embodiments, the solid metal block is a single solid metal block that is congruent to the planar array of LCD devices. In other embodiments, the at least one solid metal block includes a plurality of solid metal block tiles that are arranged in an array that is congruent to the planar array of LCD devices. In still other embodiments, the at least one solid metal block includes a plurality of solid metal block bars that are arranged face-to-face to be congruent to the planar array of LCD devices.

In still other embodiments, a frame is provided that is configured to surround the front and back faces of the flat panel displays. The planar array of LCD devices may be at least 17 inches diagonal, the LED devices may be configured to emit light that appears as white light, the at least one LED device can include a red LED, a blue LED and two green LEDs, and/or an electronics module may be provided that is supported by the frame and is configured to control the LCD and LED devices, according to any of the embodiments that were described above.

BRIEF DESCRIPTION OF THE DRAWINGS

FIG. 1 is a cross-sectional view of display panels for flat panel displays according to various embodiments of the present invention.

FIG. 2 is a perspective view of display panels for flat panel displays of FIG. 1.

FIG. 3 is an enlarged view of a portion of a display panel for a flat panel display of FIG. 1.

FIG. 4 is a cross-sectional view of display panels for flat panel displays according to other embodiments of the present invention.

FIG. 5 is a cross-sectional view of flat panel displays according to still other embodiments of the present invention.

FIGS. 6 and 7 are plan views of flat panel displays of FIG. 5 according to still other embodiments of the present invention.

FIG. 8 is a plan view of a portion of a first face of a solid metal block of an array of LED devices according to various embodiments of the present invention.

FIG. 9 is a cross-sectional view of display panels for flat panel displays according to various other embodiments of the present invention.

DETAILED DESCRIPTION

The present invention now will be described more fully hereinafter with reference to the accompanying drawings, in which embodiments of the invention are shown. However, this invention should not be construed as limited to the embodiments set forth herein. Rather, these embodiments are provided so that this disclosure will be thorough and complete, and will fully convey the scope of the invention to those skilled in the art. In the drawings, the thickness of layers and regions are exaggerated for clarity. Like numbers refer to like elements throughout. As used herein the term "and/or" includes any and all combinations of one or more of the associated listed items and may be abbreviated as "/".

The terminology used herein is for the purpose of describing particular embodiments only and is not intended to be limiting of the invention. As used herein, the singular forms "a", "an" and "the" are intended to include the plural forms as well, unless the context clearly indicates otherwise. It will be further understood that the terms "comprises" and/or "comprising" when used in this specification, specify the presence

of stated features, regions, steps, operations, elements, and/or components, but do not preclude the presence or addition of one or more other features, regions, steps, operations, elements, components, and/or groups thereof.

It will be understood that when an element such as a layer or region is referred to as being "on" or extending "onto" another element, it can be directly on or extend directly onto the other element or intervening elements may also be present. In contrast, when an element is referred to as being "directly on" or extending "directly onto" another element, there are no intervening elements present. It will also be understood that when an element is referred to as being "connected" or "coupled" to another element, it can be directly connected or coupled to the other element or intervening elements may be present. In contrast, when an element is referred to as being "directly connected" or "directly coupled" to another element, there are no intervening elements present.

It will be understood that, although the terms first, second, etc. may be used herein to describe various elements, components, regions, layers and/or sections, these elements, components, regions, layers and/or sections should not be limited by these terms. These terms are only used to distinguish one element, component, region, layer or section from another region, layer or section. Thus, a first element, component, region, layer or section discussed below could be termed a second element, component, region, layer or section without departing from the teachings of the present invention.

Furthermore, relative terms, such as "lower", "base", or "horizontal", and "upper", "top", or "vertical" may be used herein to describe one element's relationship to another element as illustrated in the Figures. It will be understood that relative terms are intended to encompass different orientations of the device in addition to the orientation depicted in the Figures. For example, if the device in the Figures is turned over, elements described as being on the "lower" side of other elements would then be oriented on "upper" sides of the other elements. The exemplary term "lower", can therefore, encompass both an orientation of "lower" and "upper," depending on the particular orientation of the figure. Similarly, if the device in one of the figures is turned over, elements described as "below" or "beneath" other elements would then be oriented "above" the other elements. The exemplary terms "below" or "beneath" can, therefore, encompass both an orientation of above and below. Moreover, the terms "front" and "back" are used herein to describe opposing outward faces of a flat panel display. Conventionally, the viewing face is deemed the front, but the viewing face may also be deemed the back, depending on orientation.

Embodiments of the present invention are described herein with reference to cross section illustrations that are schematic illustrations of idealized embodiments of the present invention. As such, variations from the shapes of the illustrations as a result, for example, of manufacturing techniques and/or tolerances, are to be expected. Thus, embodiments of the present invention should not be construed as limited to the particular shapes of regions illustrated herein but are to include deviations in shapes that result, for example, from manufacturing. For example, a region illustrated or described as flat may, typically, have rough and/or nonlinear features. Moreover, sharp angles that are illustrated, typically, may be rounded. Thus, the regions illustrated in the figures are schematic in nature and their shapes are not intended to illustrate the precise shape of a region and are not intended to limit the scope of the present invention.

Unless otherwise defined, all terms (including technical and scientific terms) used herein have the same meaning as

5

commonly understood by one of ordinary skill in the art to which this invention belongs. It will be further understood that terms, such as those defined in commonly used dictionaries, should be interpreted as having a meaning that is consistent with their meaning in the context of the relevant art and will not be interpreted in an idealized or overly formal sense unless expressly so defined herein.

FIG. 1 is a cross-sectional view of display panels for flat panel displays according to various embodiments of the present invention. As shown in FIG. 1, these display panels 100 according to various embodiments of the present invention, include a planar (i.e., two dimensional) array 110 of LCD devices, and a planar array 120 of LED devices 130 that is closely spaced apart from the planar array 110 of LCD devices, at least some of the LED devices 130 being disposed within a periphery 110a of the array 110 of LCD devices such that, in operation, the planar array 120 of LED devices 130 provides backlighting for the planar array 110 of LCD devices.

FIG. 2 is a perspective view of flat panel displays of FIG. 1 according to various embodiments of the present invention. As shown in FIG. 2, the LED devices 130 in the planar array 120 may be spaced apart from one another so as to provide substantially uniform backlighting of the planar array of LCD devices 110. The LED devices 130 may be packed in a random array, a grid array, and/or using hexagonal packing, as shown in FIG. 2. Uniform and/or non-uniform packing may be provided.

Embodiments of the present invention may provide uniform backlighting for large area display panels. The display panels may be combined with other electrical and/or mechanical elements to provide computer monitors, televisions and/or other flat panel displays. As used herein, "uniform" backlighting means that an ordinary viewer, who views the display at a conventional viewing distance, is not aware of any variation in backlighting intensity. In some embodiments, variations of less than about 25% may provide uniform intensity, whereas, in other embodiments, variations of less than 5% may provide uniform intensity. In some embodiments, these displays are rectangular and, in some embodiments, may be square. As used herein, a large area display has a diagonal size D of at least 17". However, other embodiments of the invention may be used with displays that are smaller than 17" diagonal. Moreover, the pitch P between adjacent LED devices 130 in the array also may be arranged to allow a uniform backlighting of the planar array of LCD devices, according to some embodiments of the invention, as will be described in detail below.

Embodiments of the present invention that are described in FIGS. 1 and 2 can provide direct backlighting of flat panel liquid crystal displays. In particular, as shown in FIG. 1, the planar array 120 of LED devices 130 is configured to transmit light from the planar array 120 of LED devices 130 to the planar array 110 of LCD devices along a light path 140 that extend generally perpendicular to the planar arrays 110, 120 of LCD and LED devices. In some embodiments, the light path 140 does not redirect the light to be parallel to the planar arrays 110, 120 of LCD and LED devices. In other embodiments, the light path between the planar array 120 of LED devices 130 and the planar array 110 of LCD devices is reflector-free. In yet other embodiments, at least some of the LED devices 130 are disposed within a periphery of the array 110 of LCD devices.

By providing direct backlighting, the thickness of the display panel 100 may be reduced and/or the optical efficiency may be enhanced compared to edge backlighting. Moreover, in some embodiments, the need for diffusing and/or light

6

guide elements between the planar array 110 of LCD devices and the planar array 120 or LED devices 130 also may be reduced or eliminated.

As was described above, in some embodiments of the present invention, the LED devices 130 in the planar array 120 of LED devices 130 are spaced sufficiently close to one another, so as to provide uniform backlighting of the planar array 110 of LCD devices. In particular, the light path 140 of FIG. 1 is illustrated by showing the half angle of illumination, i.e., the angle of illumination wherein the light output falls by one half the light output on the optical axis. By placing the LEDs sufficiently close so that the half angles of illumination just overlap, as shown in FIG. 1, uniform illumination of the array 110 of LCD devices may be provided, according to some embodiments of the present invention.

FIG. 3 is an exploded view of a portion of the display panel for the flat panel display of FIG. 1, illustrating geometries that can provide uniform direct illumination according to various embodiments of the present invention. As shown in FIG. 3, the half angle of illumination is denoted by θ , the spacing between the planar array 110 of LCD devices and the planar array 120 of LED devices 130 is denoted by x, and the pitch between adjacent LED devices 130 is 2y. It will be understood by those having skill in the art that smaller pitches than 2y may be used, but may not be needed to provide uniform illumination. Moreover, larger pitches may provide non-uniform illumination or may provide uniform illumination using diffusers and/or other optical elements in the light path.

As was described above, some embodiments of the present invention can eliminate the need for at least some optical films that are conventionally used in some flat panel displays. Conventionally, these optical films may include polarizers, light scattering films, light guide films, etc. In other embodiments of the invention, some of these optical films may be eliminated, but other optical films may still be used. For example, a polarizing film still may be used. Accordingly, as shown in FIG. 4, an optical film 410 may be placed between the array 110 of LCD devices and the array 120 of LED devices 130.

FIG. 5 is a cross-sectional view of flat panel displays 600 according to other embodiments of the present invention. In these embodiments, the planar array 120 of LED devices 130 includes at least one solid metal block 500 including first and second opposing metal faces 500a, 500b, respectively, that extend parallel to the array 110 of LCD devices. The first metal face 500a faces toward the array 110 of LCD devices, and the second metal face 500b faces away from the array 110 of LCD devices. The first metal face 500a includes therein an array of reflector cavities 510, and the second metal face 500b includes therein a plurality of heat sink fins 530. At least one LED device 130 is mounted in a respective reflector cavity 510 such that, in operation, the reflector cavity 510 reflects light that is emitted by the at least one LED device 130 that is mounted therein from the reflector cavity 510 along the optical path 140, as shown in FIG. 5.

In some embodiments, the reflector cavity 510 includes at least one sidewall 502 that is configured to reflect light that is emitted from the LED 130 in the cavity 510 along the optical path 140. Moreover, in some embodiments, a flexible film 1420 also may be provided that extends across one or more of the cavities 510. The flexible film 560 may include therein optical elements such as lenses, phosphor and/or other optical elements therein.

Many different embodiments of planar arrays 120 of LED devices 130 may be provided according to various embodiments of the present invention, as are described, for example, in U.S. Publication No. 2006/0097385, published May 11, 2006, entitled Solid Metal Block Semiconductor Light Emit-

ting Device Mounting Substrates and Packages Including Cavities and Heat Sinks, and Methods of Packaging Same, to coinventor Negley, and U.S. Publication No. 2006/0124953, published Jun. 15, 2006, entitled Semiconductor Light Emitting Device Mounting Substrates and Packages Including Cavities and Cover Plates, and Methods Of Packaging Same, to coinventor Negley, both of which are assigned to the assignee of the present invention, the disclosures of both which are hereby incorporated herein by reference in their entirety as if set forth fully herein.

In particular, as described in the abstract of U.S. Publication No. 2006/0097385, published May 11, 2006, a mounting substrate for a semiconductor light emitting device includes a solid metal block having first and second opposing metal faces. The first metal face includes a cavity that is configured to mount at least one semiconductor light emitting device therein, and to reflect light that is emitted by at least one semiconductor light emitting device that is mounted therein away from the cavity. The second metal face includes heat sink fins therein. One or more semiconductor light emitting devices are mounted in the cavity. Reflective coatings, conductive traces, insulating layers, pedestals, through holes, lenses, flexible films, optical elements, phosphor, integrated circuits and/or optical coupling media also may be provided in the package. Related packaging methods also may be provided.

Moreover, as described in the abstract of U.S. Publication No. 2006/0124953, published Jun. 15, 2006, a mounting substrate for a semiconductor light emitting device includes a solid metal block having first and second opposing metal faces. The first metal face includes a cavity that is configured to mount at least one semiconductor light emitting device therein, and to reflect light that is emitted by at least one semiconductor light emitting device that is mounted therein away from the cavity. One or more semiconductor light emitting devices are mounted in the cavity. A cap having an aperture is configured to matingly attach to the solid metal block adjacent the first metal face such that the aperture is aligned to the cavity. Reflective coatings, conductive traces, insulating layers, pedestals, through holes, lenses, flexible films, optical elements, phosphor, integrated circuits, optical coupling media, recesses and/or meniscus control regions also may be provided in the package. Related packaging methods also may be provided.

Still referring to FIG. 5, the planar array 120 of LED devices 130 may be configured to act as the back face of a flat panel display 600 according to various embodiments of the present invention. More particularly, the display 600 of FIG. 5 includes a front face 570a that comprises the planar array 110 of LCD devices. A back face 570b comprises the at least one solid metal block 500 including the first and second opposing metal faces 500a, 500b, respectively, that extend parallel to the array 110 of LCD devices. The first metal face 500a is facing toward the array 110 of LCD devices, and the second metal face 500b is facing away from the array 110 of LCD devices. The first metal face 500a includes therein an array of reflective cavities 510, and the second metal face 500b includes therein a plurality of heat sink fins 530 that are exposed at the back face 570b of the flat panel display 600. At least one LED device 130 is mounted in a respective reflector cavity 510 such that, in operation, the reflector cavity 510 reflects light that is emitted by the at least one LED device 130 that is mounted therein away from the reflector cavity 510. Accordingly, the at least one solid metal block 500 forms an exposed back face of the flat panel display 100. An electronics module 550 also may be included that is electrically connected to the LED devices 130 and the LCD devices 110. A

frame 540 and/or other mechanical elements may be used to maintain the array of LCD devices 110 and the array 120 of LED devices 130 in closely spaced apart relation facing one another. The electronics module 550 also may be supported by the frame 540.

Various configurations of solid metal blocks 500 may be used according to various embodiments of the present invention. For example, as shown in FIG. 5, the solid metal block 500 may be a single solid metal block that is congruent to the planar array of LCD devices 110. In other embodiments, as shown in FIG. 6, a plurality of solid metal block bars 600 are arranged face-to-face, to be congruent to the planar array 110 of LCD devices. In still other embodiments, as shown in FIG. 7, a plurality of solid metal block tiles 700 are arranged in an array that is congruent to the planar array 110 of LCD devices. The solid metal block bars 600 and/or tiles 700 may be maintained in place by the frame 540 and/or by various interconnection schemes, including mating surfaces and/or fasteners on the bars and/or tiles that can provide mechanical and/or electrical interconnection of the LED devices 130 on the various bars 600 and/or tiles 700.

FIG. 8 is a plan view of a portion of the first face 500a of a solid metal block 500 according to various embodiments of the present invention, illustrating how multiple LEDs may be placed in a single cavity according to various embodiments of the present invention. In particular, as shown in FIG. 8, a semiconductor white light pixel 800 includes a red LED device 810R, a blue LED device 810B, a first green LED device 810G1 and a second green LED device 810G2. The first and second green LED devices 810G1 and 810G2, respectively, emit light at different green frequencies. For example, in some embodiments, the first green LED device 810G1 can emit at 534 nm and the second green LED device 810G2 can emit at 528 nm. The red LED device 810R can emit at 625 nm and the blue LED device 810B can emit at 460 nm. The red, blue, first green and second green LED devices 810R, 810B, 810G1, 810G2, respectively, are configured to emit light that appears as a pixel of white light in operation.

In other embodiments, a single red, green and blue LED device may be configured to emit light that appears as a pixel of white light in operation. For example, in some embodiments, the die size of the red, green and/or blue LED devices may be selected to meet a desired brightness and/or intensity balancing. In one embodiment, standard LEDs marketed by the assignee of the present invention may be used wherein, for example, a C460XT290-Sxx00-A blue LED (290 μm \times 290 μm), a green C527XB500-S0100-A LED and a conventional red LED may be used. The larger green LED die can provide sufficient optical brightness and may reduce assembly costs compared to a pixel that includes, red, blue, first green and second green LED devices. Other configurations may be used to provide a desired lumen requirements using properly sized die.

FIG. 9 is a cross-sectional view of display panels for flat panel displays according to other embodiments of the present invention. As shown in FIG. 9, these display panels 900 according to other embodiments of the present invention include at least one solid metal block 500 including first and second opposing faces 500a, 500b, respectively, that extend generally parallel to the array 110 of LCD devices. The first metal face 500a includes therein an array of reflector cavities 510 and the second metal face 500b includes therein a plurality of heat sink fins 530. At least one LED device 130 is mounted in a respective reflector cavity 510 such that, in operation, the reflector cavity 510 reflects light that is emitted

9

by the at least one LED device **130** that is mounted therein from the reflector cavity along an optical path **140**, as shown in FIG. **9**.

In embodiments of FIG. **9**, the planar array of LED devices **130** is configured to emit light generally parallel to the planar array of LCD devices **110**. Moreover, an array of reflectors **910** also is provided. The reflectors **910** are generally oblique with respect to the first space **500a**, and are configured to redirect the light that is emitted generally parallel to the planar array of LCD devices **110** along the light path **140** that extends generally perpendicular to the planar arrays of LCD and LED devices. Accordingly, some geometries according to embodiments of the present invention can provide optical cavities that are generally perpendicular or oblique to the first face **500a** and can use a secondary optical reflector **910** to move the photons from generally parallel to the first face **500a** to generally orthogonal to the first face **500a**. In some embodiments, a flexible film including optical elements may extend parallel to the arrays of LCD and LED devices, similar to the flexible film **560** of FIG. **5**. In other embodiments, separate flexible films may be provided across the cavities **510**, extending generally orthogonal to the arrays of LCD and LED devices.

It also will be understood by those having skill in the art that various combinations and subcombinations of embodiments of FIGS. **1-9** may be provided according to other embodiments of the present invention. Thus, for example, embodiments of FIG. **9** may be combined with embodiments of FIGS. **5, 6, 7** and/or **8**.

In the drawings and specification, there have been disclosed embodiments of the invention and, although specific terms are employed, they are used in a generic and descriptive sense only and not for purposes of limitation, the scope of the invention being set forth in the following claims.

What is claimed is:

- 1.** A display panel for a flat panel display comprising: a front face comprising a planar array of liquid crystal display (LCD) devices; and a back face comprising at least one solid metal block including first and second opposing metal faces that extend parallel to the array of LCD devices, wherein the first metal face is facing toward the array of LCD devices and the second metal face is facing away from the array of LCD devices, the first metal face including therein an array of reflector cavities [and the second metal face including therein a plurality of heat sink fins that are exposed at the back face of the flat panel display]; and at least one LED device mounted in a respective reflector cavity such that, in operation, the reflector cavity reflects light that is emitted by the at least one LED device that is mounted therein away from the reflector cavity; wherein the at least one solid metal block comprises a plurality of solid metal block tiles that are arranged in an array that is congruent to the planar array of LCD devices.
- 2.** A display panel according to claim **1** in combination with a frame that is configured to surround the front and back faces of the display panel.
- 3.** A display panel according to claim **2** in further combination with an electronics module that is supported by the frame and that is configured to control the array of LCD devices and the at least one LED device.
- 4.** A display panel according to claim **1** wherein the planar array of LCD devices is at least 17 inches in size along a diagonal thereof.

10

5. A display panel according to claim **1** wherein the at least one LED device is configured to emit light that appears as white light.

6. A display panel according to claim **5** wherein the at least one LED device that is mounted in a respective reflector cavity and that is configured to emit light that appears as white light consists of:

- a red LED device;
- a blue LED device; and
- two green LED devices.

7. A display panel according to claim **6** wherein the two green LED devices emit green light at different frequencies.

8. A display panel according to claim **1** further comprising: a planar optical film that is located between the planar array of LCD devices and the at least one LED device such that, in operation, the at least one LED device transmits light through the planar optical film and to the planar array of LCD devices.

9. A display panel according to claim **1** in combination with other electrical and/or mechanical elements to provide a computer monitor and/or a television.

10. A display panel for a flat panel display comprising: a front face comprising a planar array of liquid crystal display (LCD) devices; and

a back face comprising at least one solid metal block including first and second opposing metal faces that extend parallel to the array of LCD devices, wherein the first metal face is facing toward the array of LCD devices and the second metal face is facing away from the array of LCD devices, the first metal face including therein an array of reflector cavities [and the second metal face including therein a plurality of heat sink fins that are exposed at the back face of the flat panel display]; and at least one LED device mounted in a respective reflector cavity such that, in operation, the reflector cavity reflects light that is emitted by the at least one LED device that is mounted therein away from the reflector cavity;

wherein the at least one solid metal block comprises a plurality of solid metal block bars that are arranged face-to-face to be congruent to the planar array of LCD devices.

11. A display panel according to claim **10** in combination with a frame that is configured to surround the front and back faces of the display panel.

12. A display panel according to claim **11** in further combination with an electronics module that is supported by the frame and that is configured to control the array of LCD devices and the at least one LED device.

13. A display panel according to claim **10** wherein the planar array of LCD devices is at least 17 inches in size along a diagonal thereof.

14. A display panel according to claim **10** wherein the at least one LED device is configured to emit light that appears as white light.

15. A display panel according to claim **14** wherein the at least one LED device that is mounted in a respective reflector cavity and that is configured to emit light that appears as white light consists of:

- a red LED device;
- a blue LED device; and
- two green LED devices.

16. A display panel according to claim **15** wherein the two green LED devices emit green light at different frequencies.

17. A display panel according to claim **10** further comprising: a planar optical film that is located between the planar array of LCD devices and the at least one LED device such

11

that, in operation, the at least one LED device transmits light through the planar optical film and to the planar array of LCD devices.

18. A display panel according to claim 10 in combination with other electrical and/or mechanical elements to provide a computer monitor and/or a television.

19. A display panel for a flat panel display comprising: a front face comprising a planar array of liquid crystal display (LCD) devices; and

a back face comprising at least one solid metal block including first and second opposing metal faces that extend parallel to the array of LCD devices, wherein the first metal face is facing toward the array of LCD devices and the second metal face is facing away from the array of LCD devices, the second metal face including therein a plurality of heat sink fins that are exposed at the back face of the flat panel display]; and

a plurality of LED devices mounted on the first metal face; wherein the at least one solid metal block comprises a plurality of solid metal block tiles that are arranged in an array that is congruent to the planar array of LCD devices.

20. A display panel according to claim 19 in combination with a frame that is configured to surround the front and back faces of the display panel.

21. A display panel according to claim 20 in further combination with an electronics module that is supported by the frame and that is configured to control the array of LCD devices and the at least one LED device.

22. A display panel according to claim 19 wherein the planar array of LCD devices is at least 17 inches in size along a diagonal thereof.

23. A display panel according to claim 19 wherein the at least one LED device is configured to emit light that appears as white light.

24. A display panel according to claim 23 wherein the at least one LED device [that is mounted in a respective reflector cavity and] that is configured to emit light that appears as white light consists of:

a red LED device;
a blue LED device; and
two green LED devices.

25. A display panel according to claim 24 wherein the two green LED devices emit green light at different frequencies.

26. A display panel according to claim 19 further comprising:

a planar optical film that is located between the planar array of LCD devices and the at least one LED device such that, in operation, the at least one LED device transmits light through the planar optical film and to the planar array of LCD devices.

27. A display panel according to claim 19 in combination with other electrical and/or mechanical elements to provide a computer monitor and/or a television.

28. A display panel for a flat panel display comprising: a front face comprising a planar array of liquid crystal display (LCD) devices; and

a back face comprising at least one solid metal block including first and second opposing metal faces that extend parallel to the array of LCD devices, wherein the first metal face is facing toward the array of LCD devices and the second metal face is facing away from the array of LCD devices, the second metal face including therein a plurality of heat sink fins that are exposed at the back face of the flat panel display]; and

a plurality of LED devices mounted on the first metal face;

12

wherein the at least one solid metal block comprises a plurality of solid metal block bars that are arranged face-to-face to be congruent to the planar array of LCD devices.

29. A display panel according to claim 28 in combination with a frame that is configured to surround the front and back faces of the display panel.

30. A display panel according to claim 29 in further combination with an electronics module that is supported by the frame and that is configured to control the array of LCD devices and the at least one LED device.

31. A display panel according to claim 28 wherein the planar array of LCD devices is at least 17 inches in size along a diagonal thereof.

32. A display panel according to claim 28 wherein the at least one LED device is configured to emit light that appears as white light.

33. A display panel according to claim 32 wherein the at least one LED device [that is mounted in a respective reflector cavity and] that is configured to emit light that appears as white light consists of:

a red LED device;
a blue LED device; and
two green LED devices.

34. A display panel according to claim 33 wherein the two green LED devices emit green light at different frequencies.

35. A display panel according to claim 28 further comprising:

a planar optical film that is located between the planar array of LCD devices and the at least one LED device such that, in operation, the at least one LED device transmits light through the planar optical film and to the planar array of LCD devices.

36. A display panel according to claim 28 in combination with other electrical and/or mechanical elements to provide a computer monitor and/or a television.

37. A display panel according to claim 1 wherein the second metal face includes therein a plurality of heat sink fins that are exposed at the back face of the flat panel display.

38. A display panel according to claim 10 wherein the second metal face includes therein a plurality of heat sink fins that are exposed at the back face of the flat panel display.

39. A display panel according to claim 19 wherein the second metal face includes therein a plurality of heat sink fins that are exposed at the back face of the flat panel display.

40. A display panel according to claim 28 wherein the second metal face includes therein a plurality of heat sink fins that are exposed at the back face of the flat panel display.

41. A display panel comprising:

a planar array of liquid crystal (LCD) devices;
and a plurality of tiles configured to illuminate the planar array of LCD devices, wherein a respective tile comprises first and second opposing faces and a plurality of LED devices mounted on the first face of the respective tile;

wherein the display panel is for a flat panel display in further combination with a front face comprising the planar array of LCD devices, and a back face comprising the plurality of tiles that are arranged in an array that is congruent to the planar array of LCD devices; wherein the first and second opposing faces of a respective tile extend parallel to the array of LCD devices with the first face of a respective tile facing toward the array of LCD devices and the second face of a respective tile facing away from the array of LCD devices; and wherein the first face of a respective tile includes therein at least one reflector cavity and the second face of a respec-

13

tive tile includes thereon at least one heat sink fin that is exposed at the back of the flat panel display; and the plurality of LED devices are mounted in the at least one reflector cavity such that, in operation, the at least one reflector cavity reflects light that is emitted by the plurality of LED devices that are mounted therein away from the reflector cavity.

42. A display panel comprising:

a planar array of liquid crystal display (LCD) devices; a plurality of bars configured to illuminate the planar array of LCD devices, wherein a respective bar comprises first and second opposing faces and a plurality of LED devices mounted on the first face of the respective bar; wherein the display panel is for a flat panel display in further combination with a front face comprising the planar array of LCD devices, and a back face comprising the plurality of bars that are arranged face-to-face to be congruent to the planar array of LCD devices;

wherein the first and second opposing faces of a respective bar extend parallel to the array of LCD devices with the first face of a respective bar facing toward the array of LCD devices and the second face of a respective bar facing away from the array of LCD devices; and wherein the first face of a respective bar includes therein at least one reflector cavity and the second face of a respective bar includes thereon at least one heat sink fin that is exposed at the back of the flat panel display; and the plurality of LED devices are mounted in the at least one reflector cavity such that, in operation, the at least one reflector cavity reflects light that is emitted by the plurality of LED devices that are mounted therein away from the reflector cavity.

43. A display panel for a flat panel display comprising:

a front face comprising a planar array of liquid crystal display (LCD) devices; a back face comprising at least one solid block including first and second opposing faces that extend parallel to the array of LCD devices, wherein the first face is facing toward the array of LCD devices and the second face is facing away from the array of LCD devices; a plurality of LED devices mounted on the first face; and wherein the at least one solid block comprises a plurality of solid block tiles that are arranged in an array that is congruent to the planar array of LCD devices.

44. A display panel according to claim 43 wherein the plurality of LED devices are configured to emit light that appears as white light.

45. A display panel according to claim 43 wherein the solid block comprises metal.

46. A display panel for a flat panel display comprising:

a front face comprising a planar array of liquid crystal display (LCD) devices; a back face comprising at least one solid block including first and second opposing faces that extend parallel to the array of LCD devices, wherein the first face is facing toward the array of LCD devices and the second face is facing away from the array of LCD devices; a plurality of LED devices mounted on the first face; and wherein the at least one solid block comprises a plurality of solid block bars that are arranged face-to-face to be congruent to the planar array of LCD devices.

47. A display panel according to claim 46 wherein the plurality of LED devices are configured to emit light that appears as white light.

48. A display panel according to claim 46 wherein the solid block comprises metal.

14

49. A display panel for a flat panel display comprising: a front face comprising a planar array of liquid crystal display (LCD) devices; a back face comprising at least one solid block including first and second opposing faces that extend parallel to the array of LCD devices, wherein the first face is facing toward the array of LCD devices and the second face is facing away from the array of LCD devices; a plurality of LED devices mounted on the first face; and wherein the at least one solid block comprises a plurality of solid block tiles that are arranged in an array that is congruent to the planar array of LCD devices; and wherein the second face includes thereon at least one heat sink fin that is exposed at the back of the flat panel display.

50. A display panel according to claim 49 wherein the plurality of LED devices are configured to emit light that appears as white light.

51. A display panel according to claim 49 wherein the solid block comprises metal.

52. A display panel for a flat panel display comprising: a front face comprising a planar array of liquid crystal display (LCD) devices;

a back face comprising at least one solid block including first and second opposing faces that extend parallel to the array of LCD devices, wherein the first face is facing toward the array of LCD devices and the second face is facing away from the array of LCD devices;

a plurality of LED devices mounted on the first face; wherein the at least one solid block comprises a plurality of solid block bars that are arranged face-to-face to be congruent to the planar array of LCD devices; and wherein the second face includes thereon at least one heat sink fin that is exposed at the back of the flat panel display.

53. A display panel according to claim 52 wherein the plurality of LED devices are configured to emit light that appears as white light.

54. A display panel according to claim 52 wherein the solid block comprises metal.

55. A display panel for a flat panel display comprising: a front face comprising a planar array of liquid crystal display (LCD) devices;

a back face comprising at least one solid block including first and second opposing faces that extend parallel to the array of LCD devices, wherein the first face is facing toward the array of LCD devices and the second face is facing away from the array of LCD devices, the first face including therein an array of reflector cavities;

at least one LED device mounted in a respective reflector cavity such that, in operation, the reflector cavity reflects light that is emitted by the at least one LED device that is mounted therein away from the reflector cavity; wherein the at least one solid block comprises a plurality of solid block tiles that are arranged in an array that is congruent to the planar array of LCD devices.

56. A display panel according to claim 55 wherein the at least one LED device is configured to emit light that appears as white light.

57. A display panel according to claim 55 wherein the solid block comprises metal.

58. A display panel for a flat panel display comprising: a front face comprising a planar array of liquid crystal display (LCD) devices;

15

a back face comprising at least one solid block including first and second opposing faces that extend parallel to the array of LCD devices, wherein the first face is facing toward the array of LCD devices and the second face is facing away from the array of LCD devices, the first face including therein an array of reflector cavities;

at least one LED device mounted in a respective reflector cavity such that, in operation, the reflector cavity reflects light that is emitted by the at least one LED device that is mounted therein away from the reflector cavity;

16

wherein the at least one solid block comprises a plurality of solid block bars that are arranged face-to-face in an array that is congruent to the planar array of LCD devices.

59. A display panel according to claim 58 wherein the at least one LED device is configured to emit light that appears as white light.

60. A display panel according to claim 58 wherein the solid block comprises metal.

* * * * *

UNITED STATES PATENT AND TRADEMARK OFFICE
CERTIFICATE OF CORRECTION

PATENT NO. : RE42,598 E
APPLICATION NO. : 12/696050
DATED : August 9, 2011
INVENTOR(S) : Gerald H. Negley et al.

Page 1 of 1

It is certified that error appears in the above-identified patent and that said Letters Patent is hereby corrected as shown below:

Column 1, line 10, above the heading, "FIELD OF THE INVENTION", insert --Notice: More than one reissue application has been filed for the reissue of patent 7,322,732. The reissue applications are 12/696,050 (the present application, issued as Patent No. RE 42598) and 13/169,359 (a continuation reissue application of reissue application 12/696,050).--

Signed and Sealed this
Twenty-first Day of February, 2012

A handwritten signature in black ink that reads "David J. Kappos". The signature is written in a cursive, slightly slanted style.

David J. Kappos
Director of the United States Patent and Trademark Office