

US00RE42580E

(19) **United States**
(12) **Reissued Patent**
Olson

(10) **Patent Number:** **US RE42,580 E**
(45) **Date of Reissued Patent:** **Aug. 2, 2011**

(54) **PACKAGE WITH AN OPENING FORMED THEREIN**

(75) Inventor: **Christopher R. Olson**, Hudson, WI (US)

(73) Assignee: **S.C. Johnson & Son, Inc.**, Racine, WI (US)

(**) Term: **14 Years**

(21) Appl. No.: **29/332,239**

(22) Filed: **Feb. 11, 2009**

Related U.S. Patent Documents

Reissue of:

(64) Patent No.: **Des. 558,044**
Issued: **Dec. 25, 2007**
Appl. No.: **29/278,025**
Filed: **Mar. 16, 2007**

(51) **LOC (9) Cl.** **09-03**

(52) **U.S. Cl.** **D9/418**

(58) **Field of Classification Search** D9/414-432;
206/733, 769, 773, 775-777, 781-783; 229/162.1,
229/162.3, 162.6, 162.7

See application file for complete search history.

(56) **References Cited**

U.S. PATENT DOCUMENTS

D98,468	S	*	2/1936	Wandel	D9/432
D157,080	S	*	1/1950	Opler	D9/418
3,033,357	A	*	5/1962	Vogel	206/574
D201,317	S	*	6/1965	Tamarin	D9/418
D283,309	S	*	4/1986	Caldwell et al.	D9/416
D297,415	S	*	8/1988	Gavin et al.	D9/416
D305,204	S	*	12/1989	Reifein et al.	D9/761
D314,914	S	*	2/1991	Callinan	D9/432
D319,185	S	*	8/1991	Ferrero	D9/415
D323,986	S	*	2/1992	Ferrero	D9/418
D373,080	S	*	8/1996	Prosperi et al.	D9/418
D432,415	S	*	10/2000	Teasdale et al.	D9/418
D446,113	S	*	8/2001	Steinfels	D9/418
D469,349	S	*	1/2003	Meeker et al.	D9/418
D472,141	S	*	3/2003	Buschkiel et al.	D9/734

D494,060	S	*	8/2004	Izen et al.	D9/418
D502,392	S	*	3/2005	Maher et al.	D9/418
D513,382	S	*	1/2006	Proudfit	D9/415
D528,906	S	*	9/2006	Harper et al.	D9/418
D534,419	S	*	1/2007	Hermkens et al.	D9/418
D536,960	S	*	2/2007	Harper et al.	D9/418
2007/0020433	A1		1/2007	Gruenbacher et al.		

* cited by examiner

Primary Examiner — Susan E Krakower

(57) **CLAIM**

The ornamental design for a package with an opening formed therein, as shown and described.

DESCRIPTION

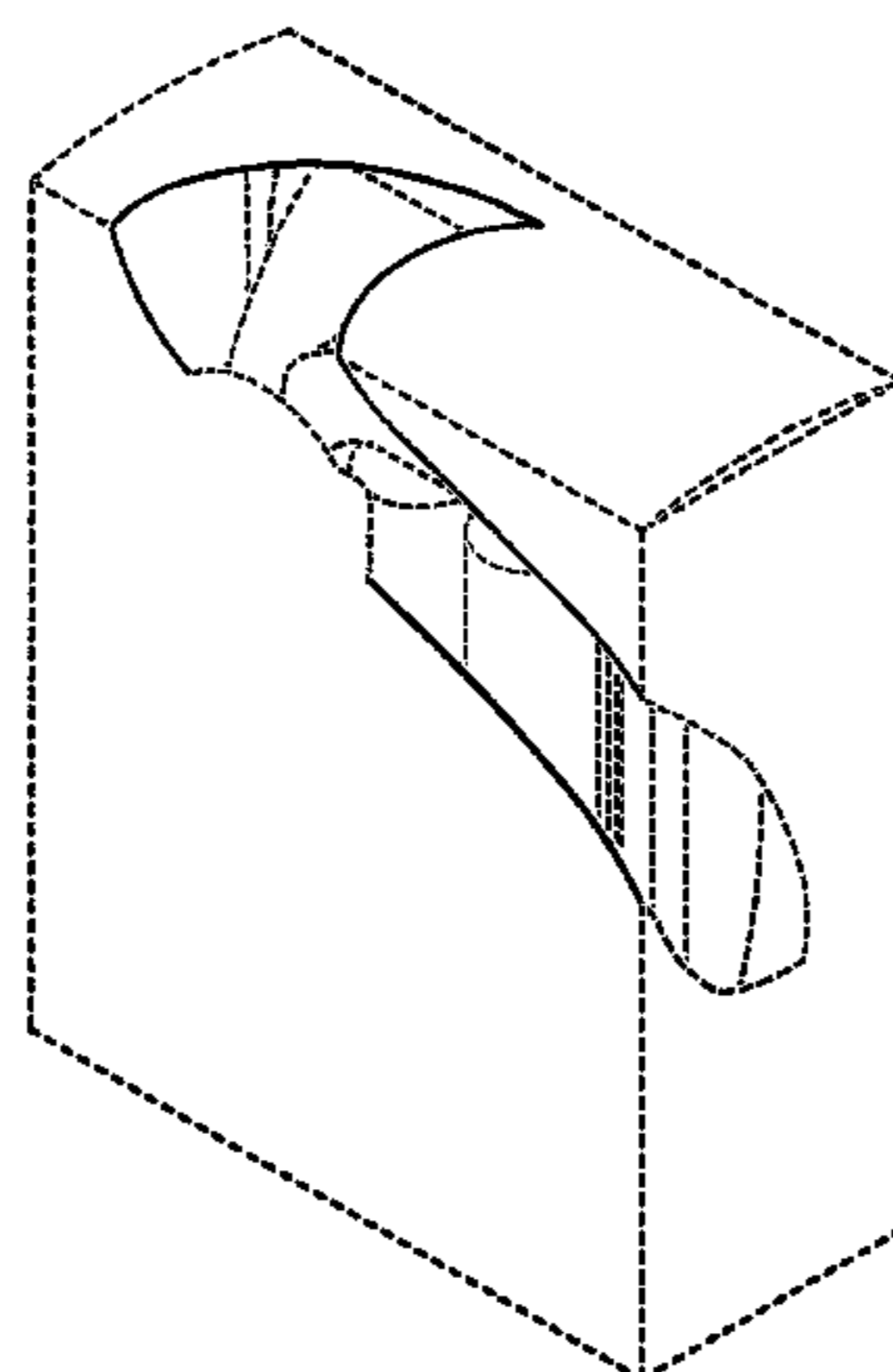
FIG. 1 is a right front perspective view of a package with an opening formed therein, showing my new design; FIG. 2 is a left front perspective view thereof; FIG. 3 is a front elevational view thereof; FIG. 4 is a rear elevational view thereof; FIG. 5 is a right side elevational view thereof; FIG. 6 is a left side elevational view thereof; FIG. 7 is a top plan view thereof; FIG. 8 is a bottom plan view thereof; FIG. 9 is a right front perspective view of a second embodiment of a package with an opening formed therein, showing my new design; FIG. 10 is a left front perspective view thereof; FIG. 11 is a front elevational view thereof; FIG. 12 is a rear elevational view thereof; FIG. 13 is a right side elevational view thereof; FIG. 14 is a left side elevational view thereof; FIG. 15 is a top plan view thereof; and, FIG. 16 is a bottom plan view thereof.

The broken line showing of the outside of a box and interior contents are included for the purpose of illustrating environmental structure and forms no part of the claimed design.

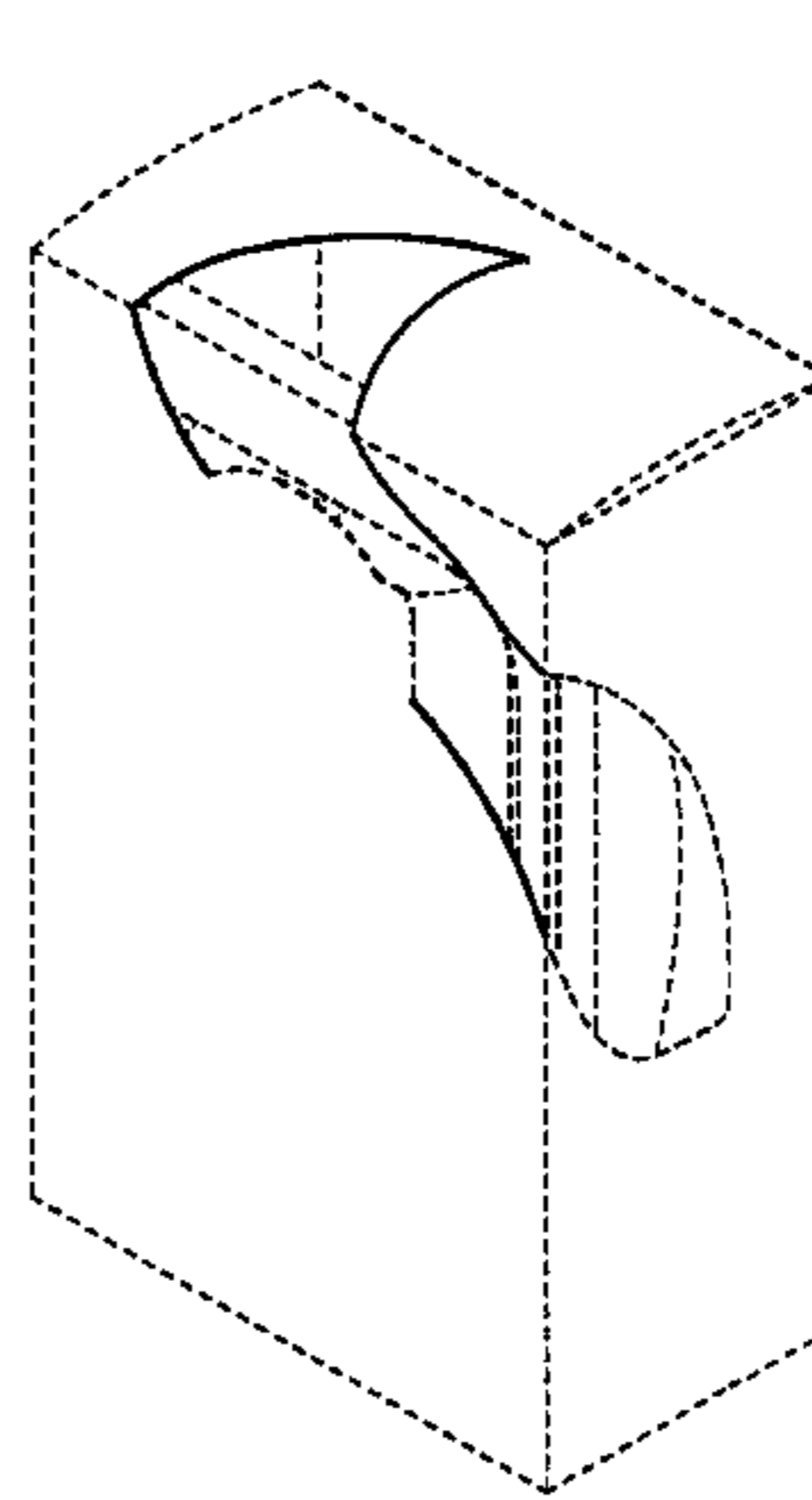
1 Claim, 8 Drawing Sheets

Matter enclosed in heavy brackets [] appears in the original patent, but forms no part of this reissue; matter printed in italics indicates the additions made by reissue.

Amended



Amended



Amended
FIG. 1

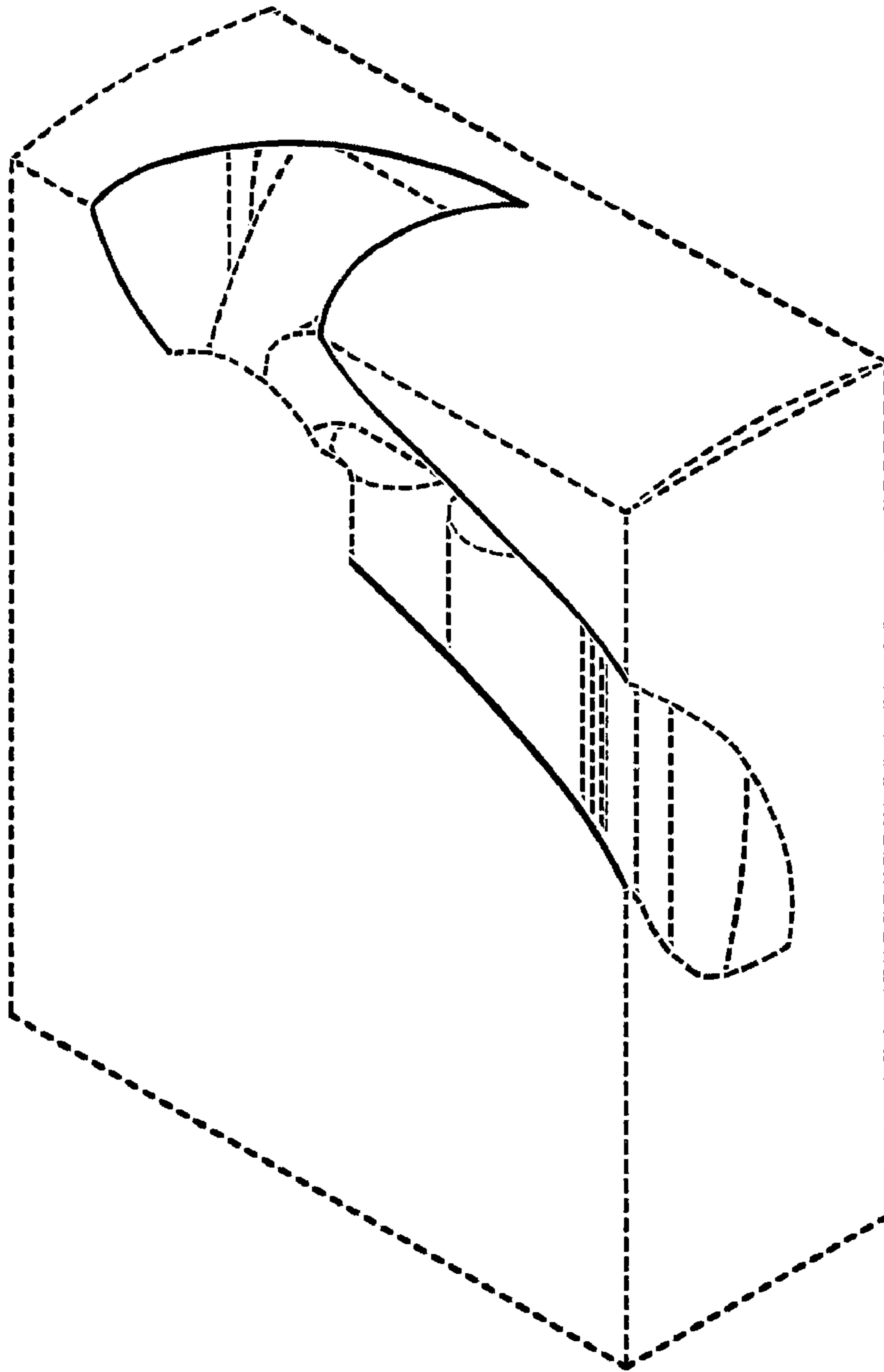
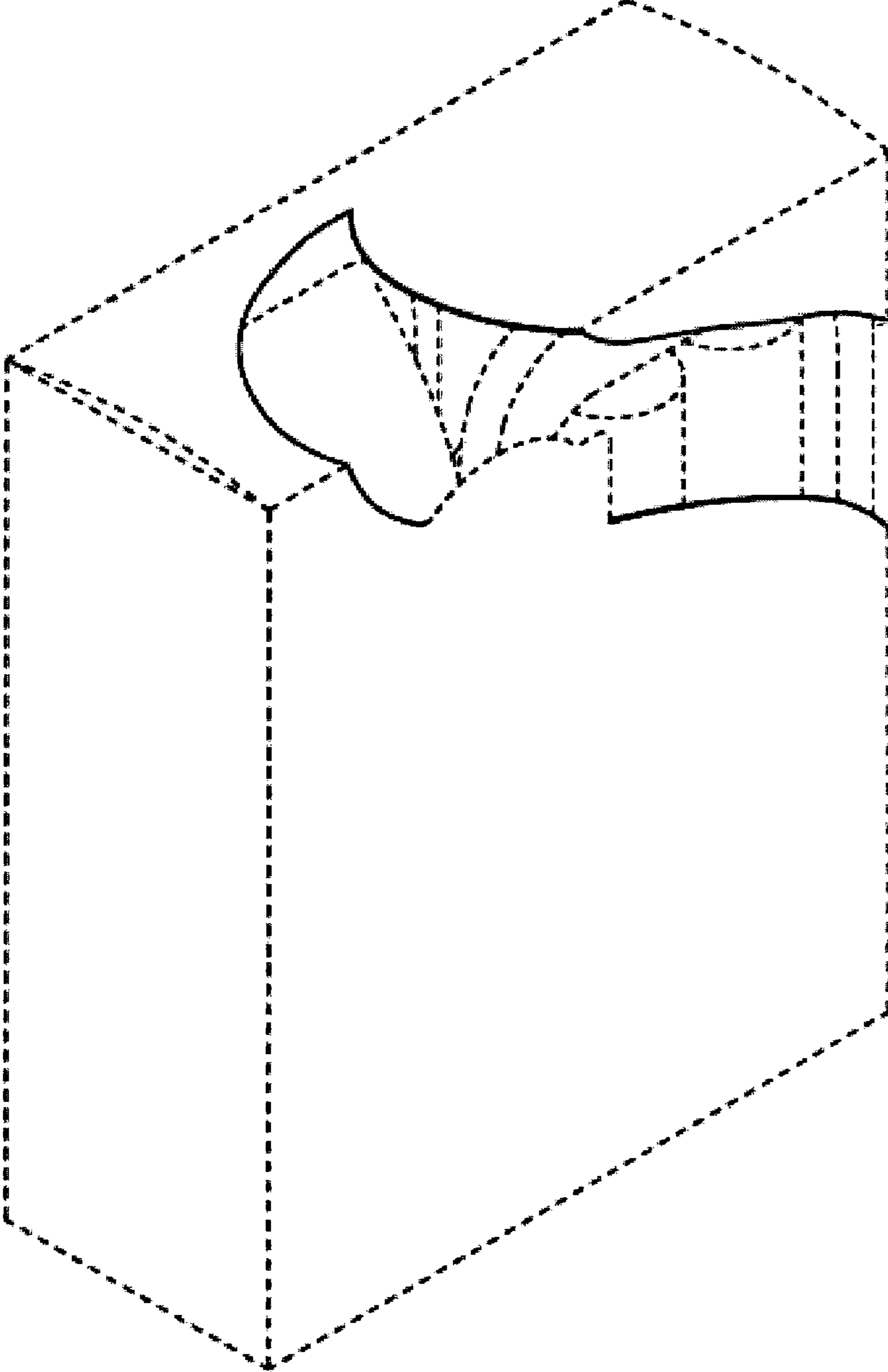
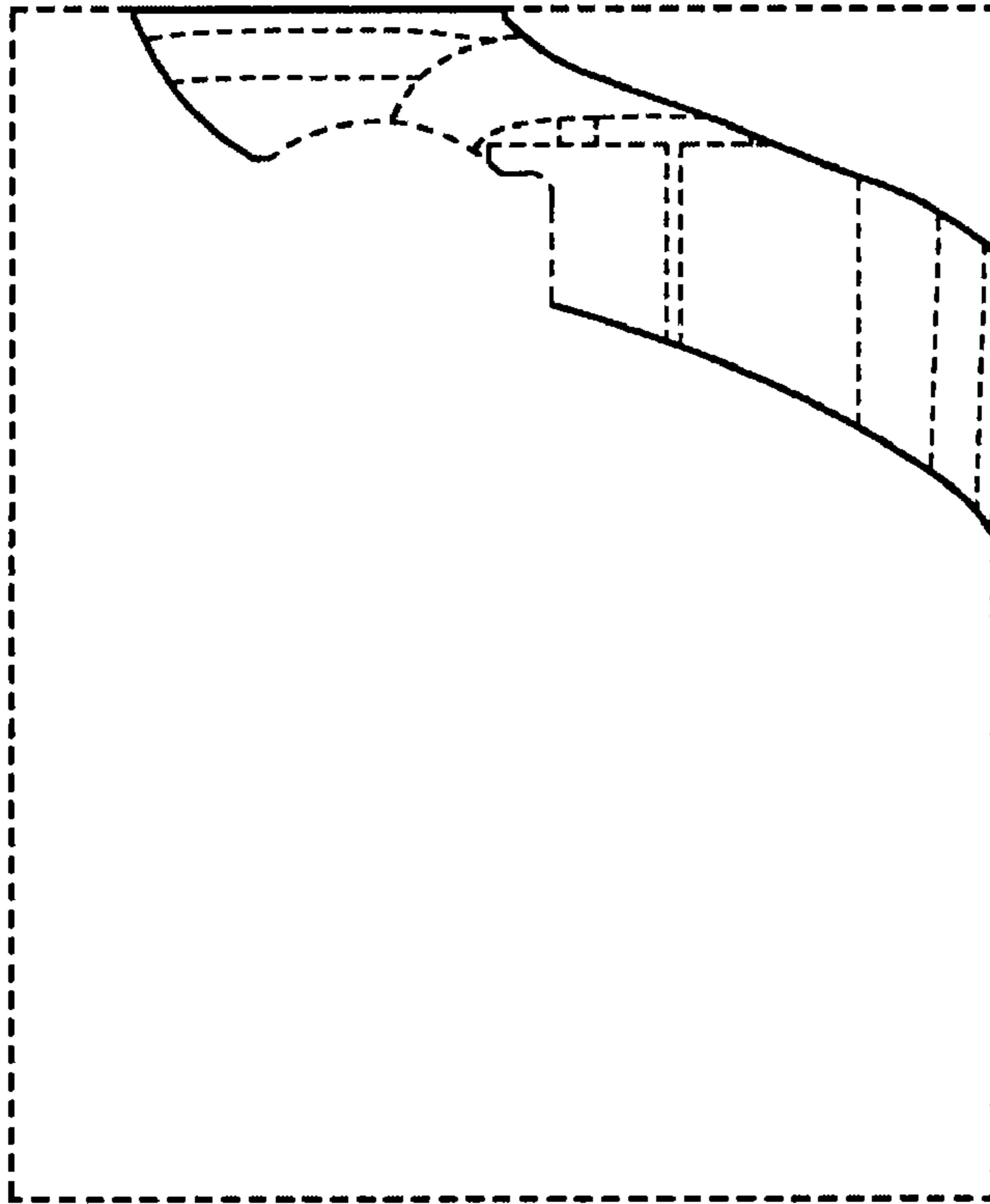


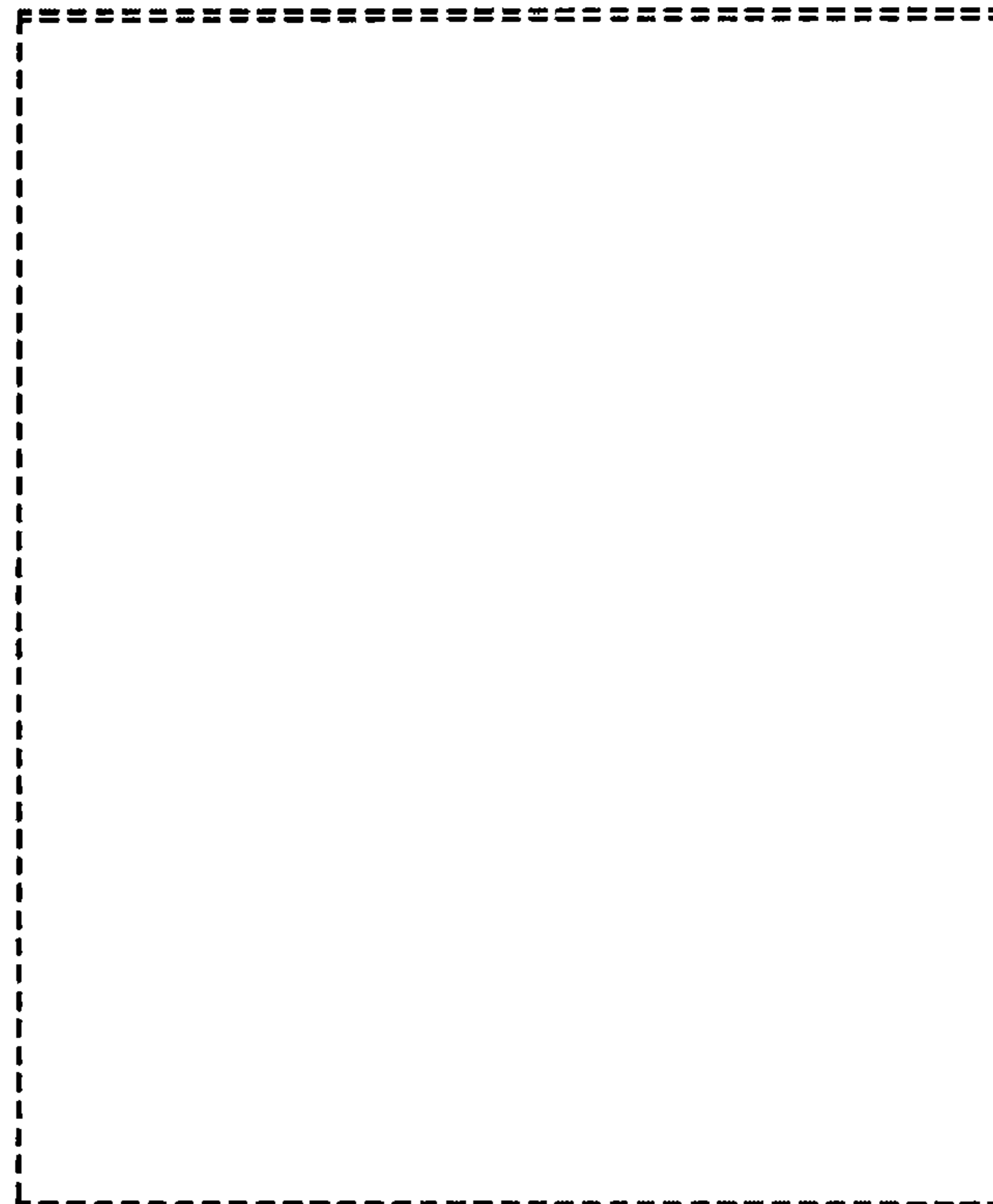
FIG. 2





Amended
FIG. 3

FIG. 4



Amended
FIG. 5

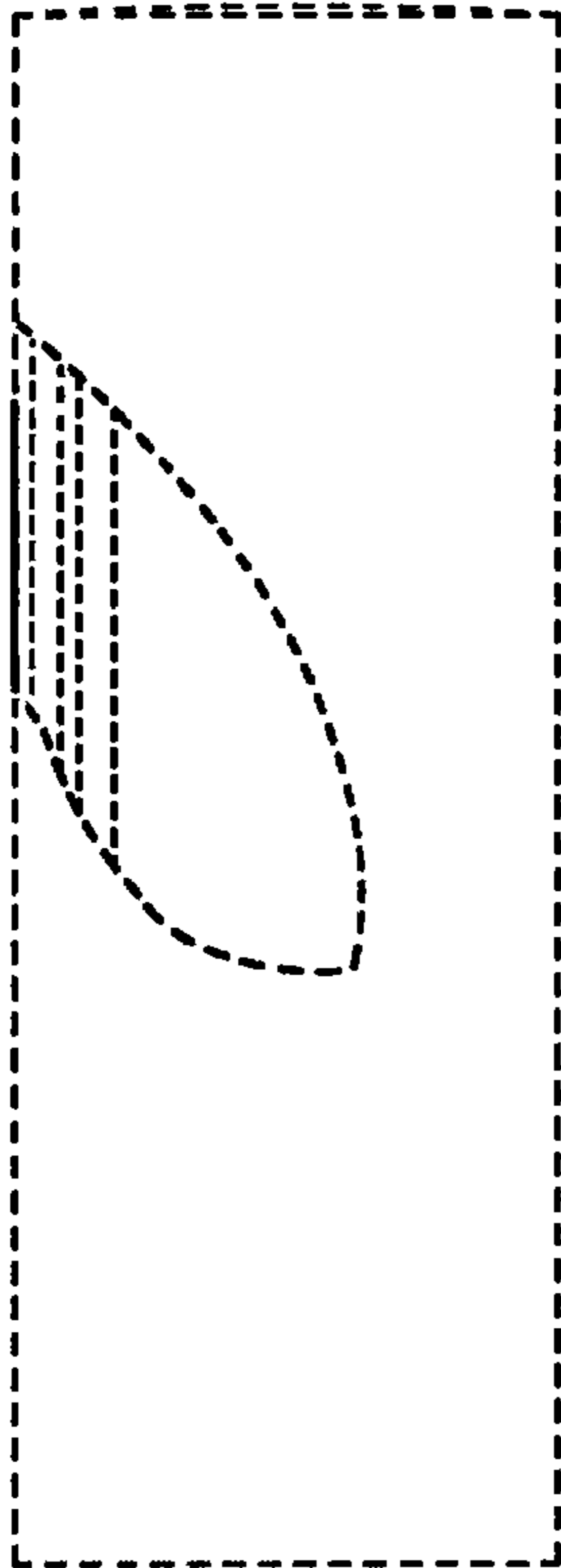


FIG. 6

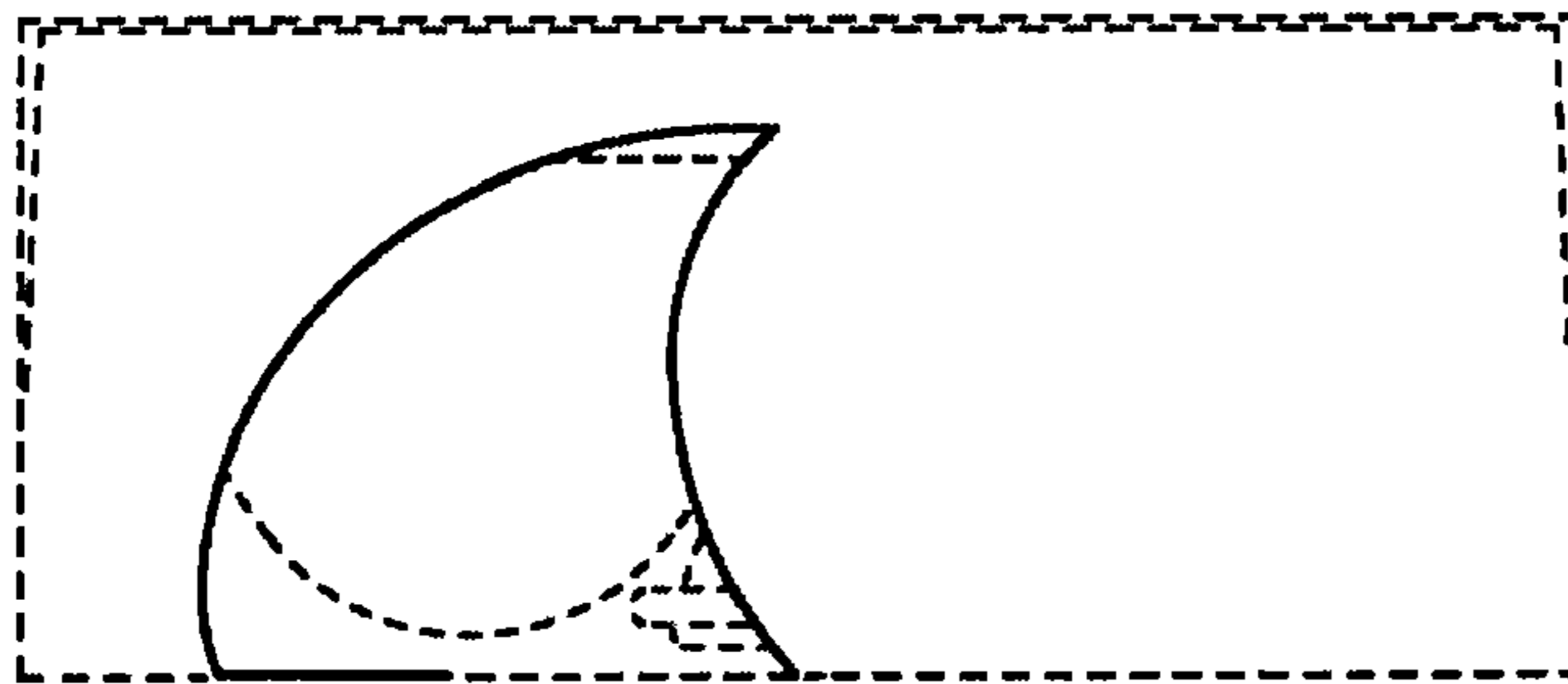
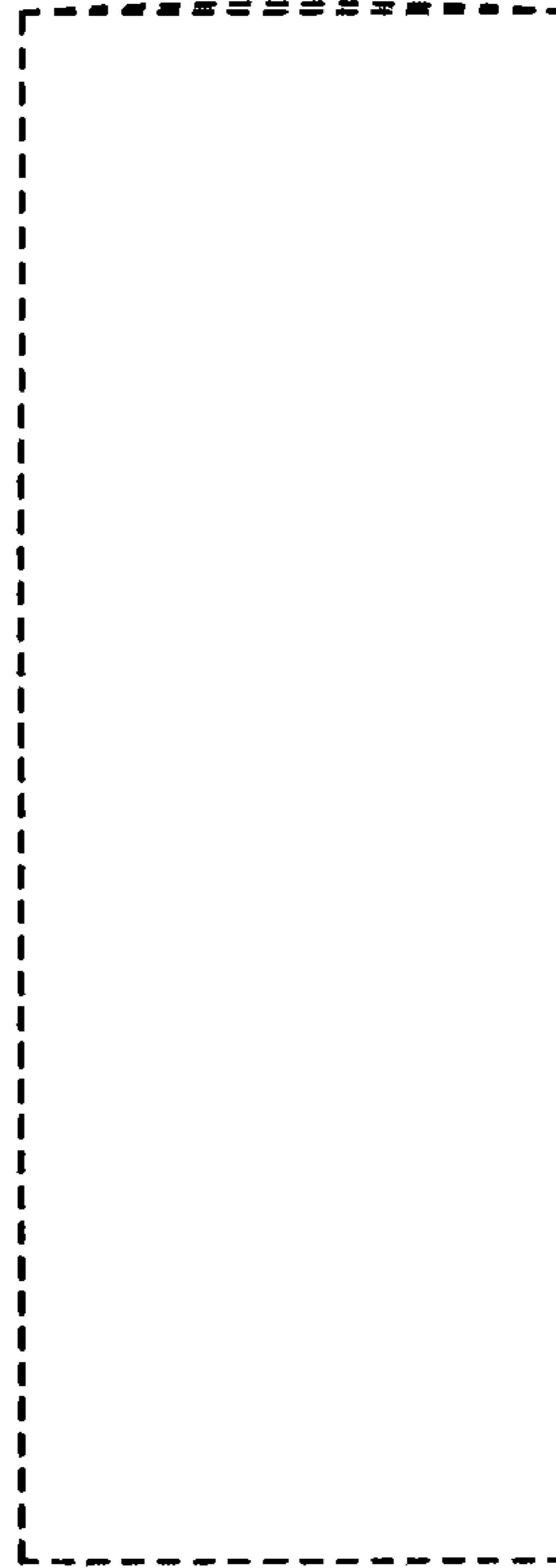


FIG. 7

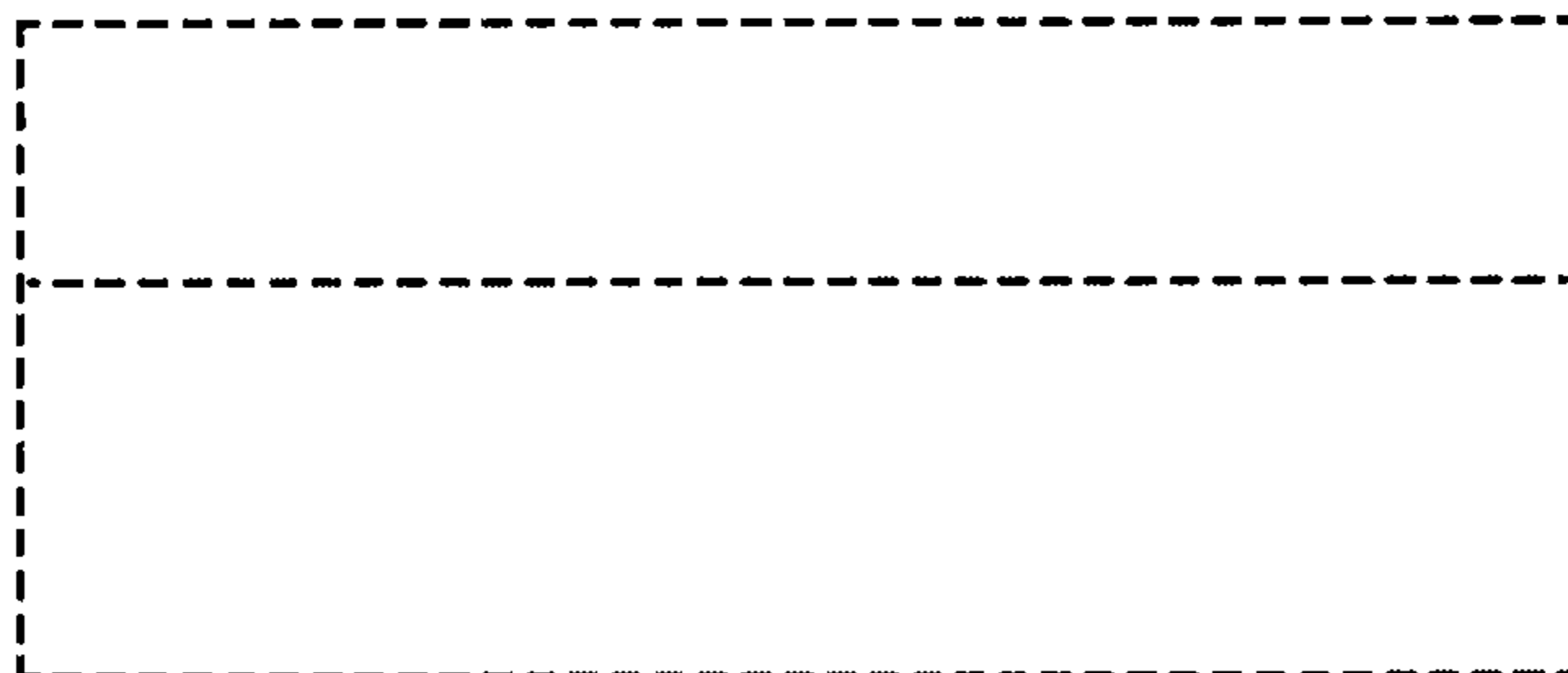


FIG. 8

Amended
FIG. 9

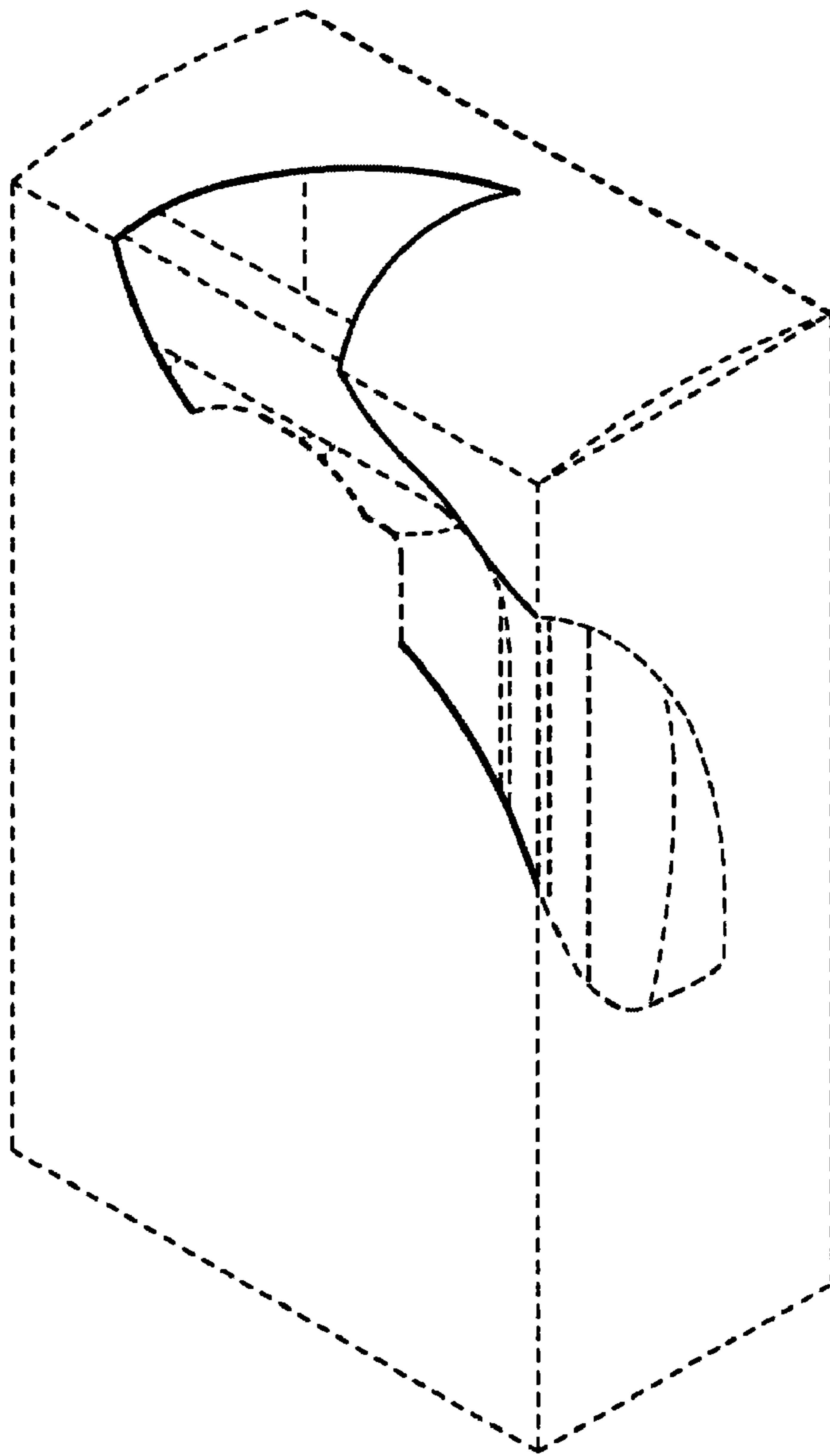
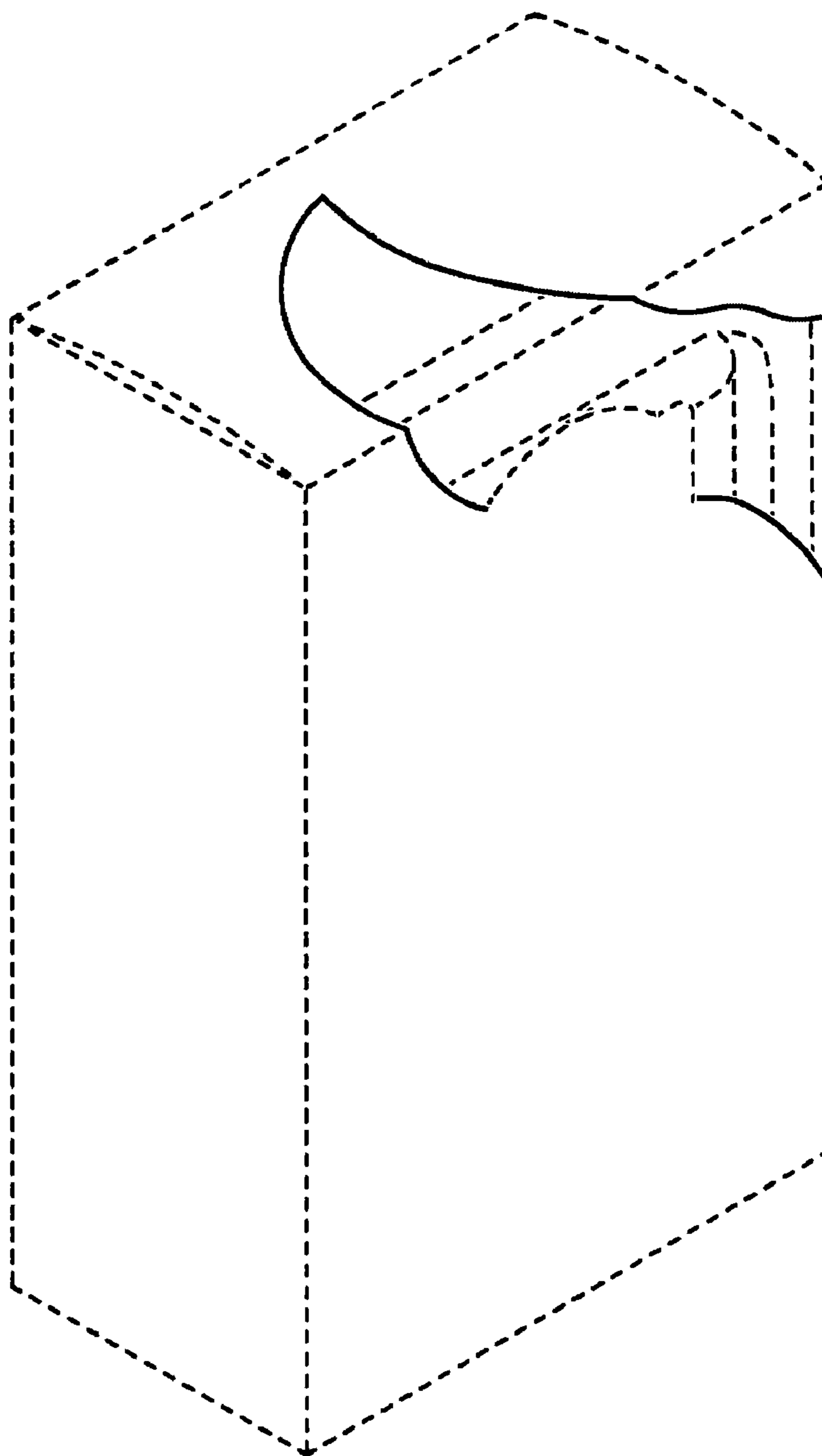
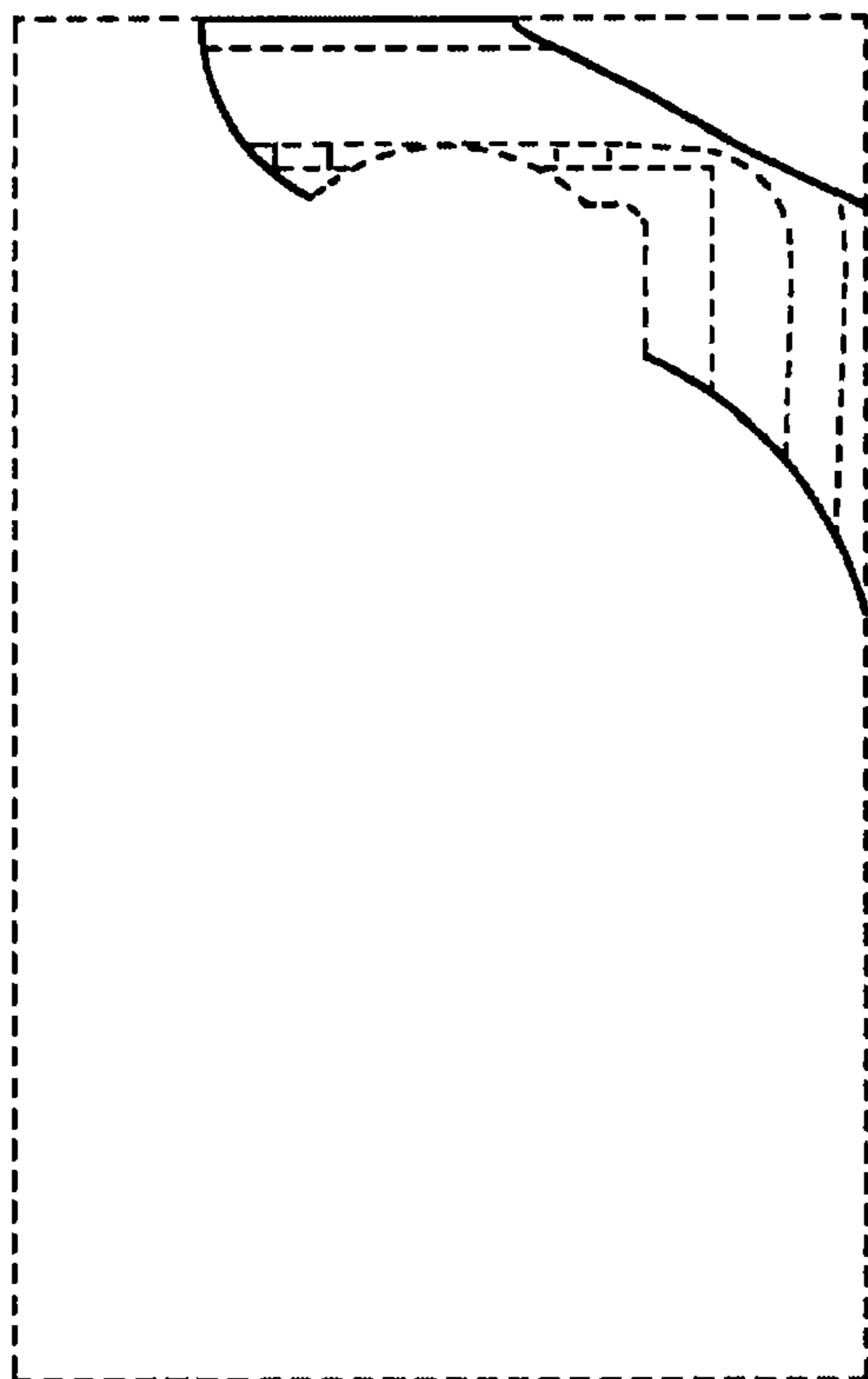


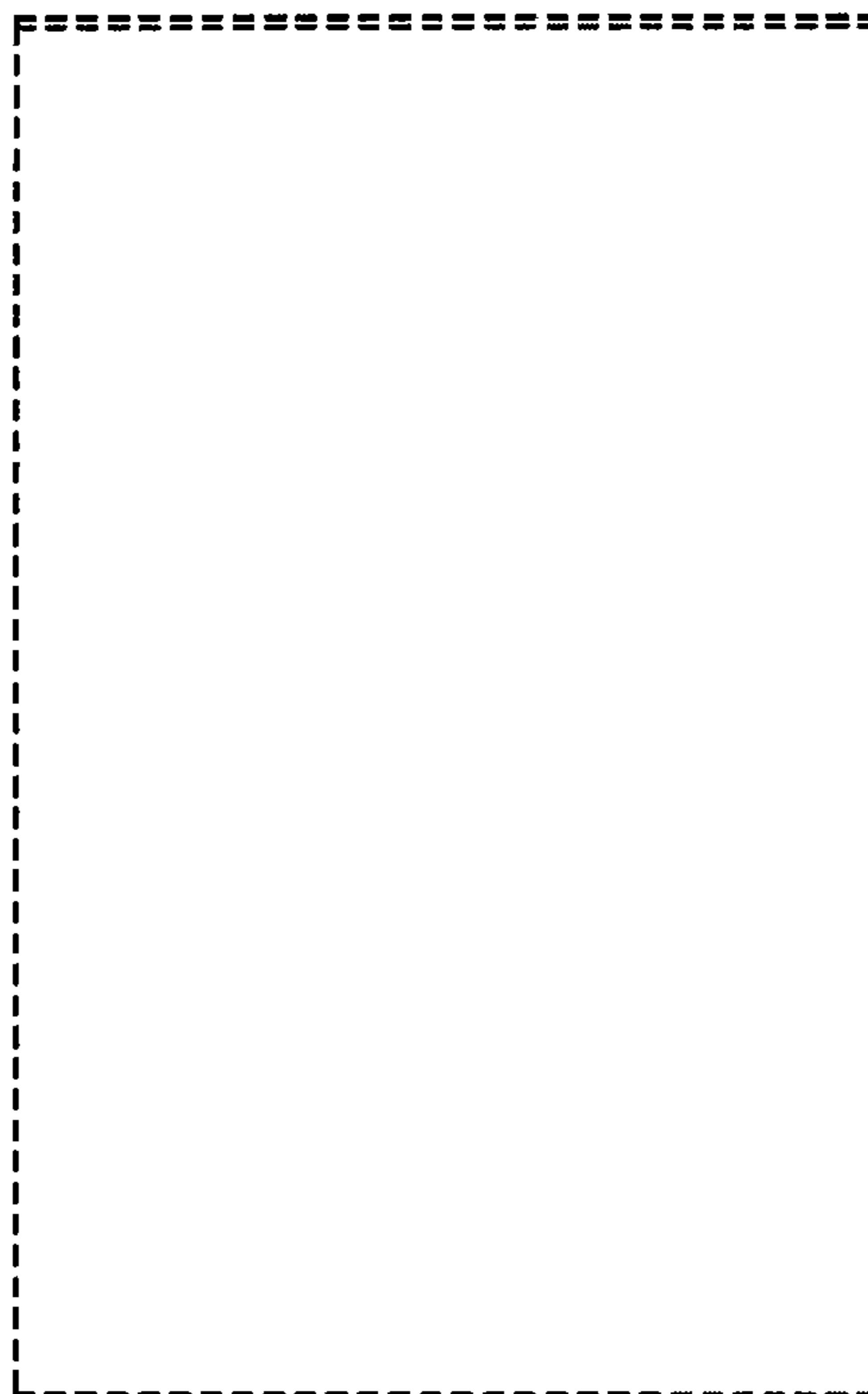
FIG. 10





Amended
FIG. 11

FIG. 12



Amended
FIG. 13

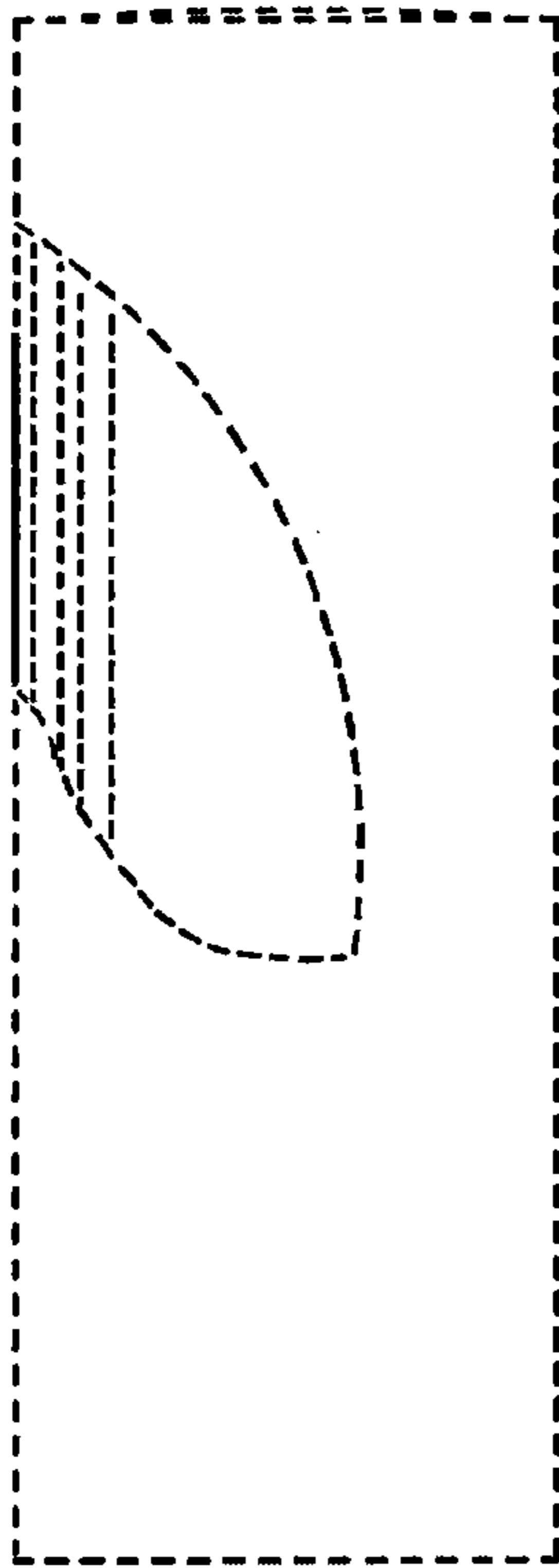


FIG. 14

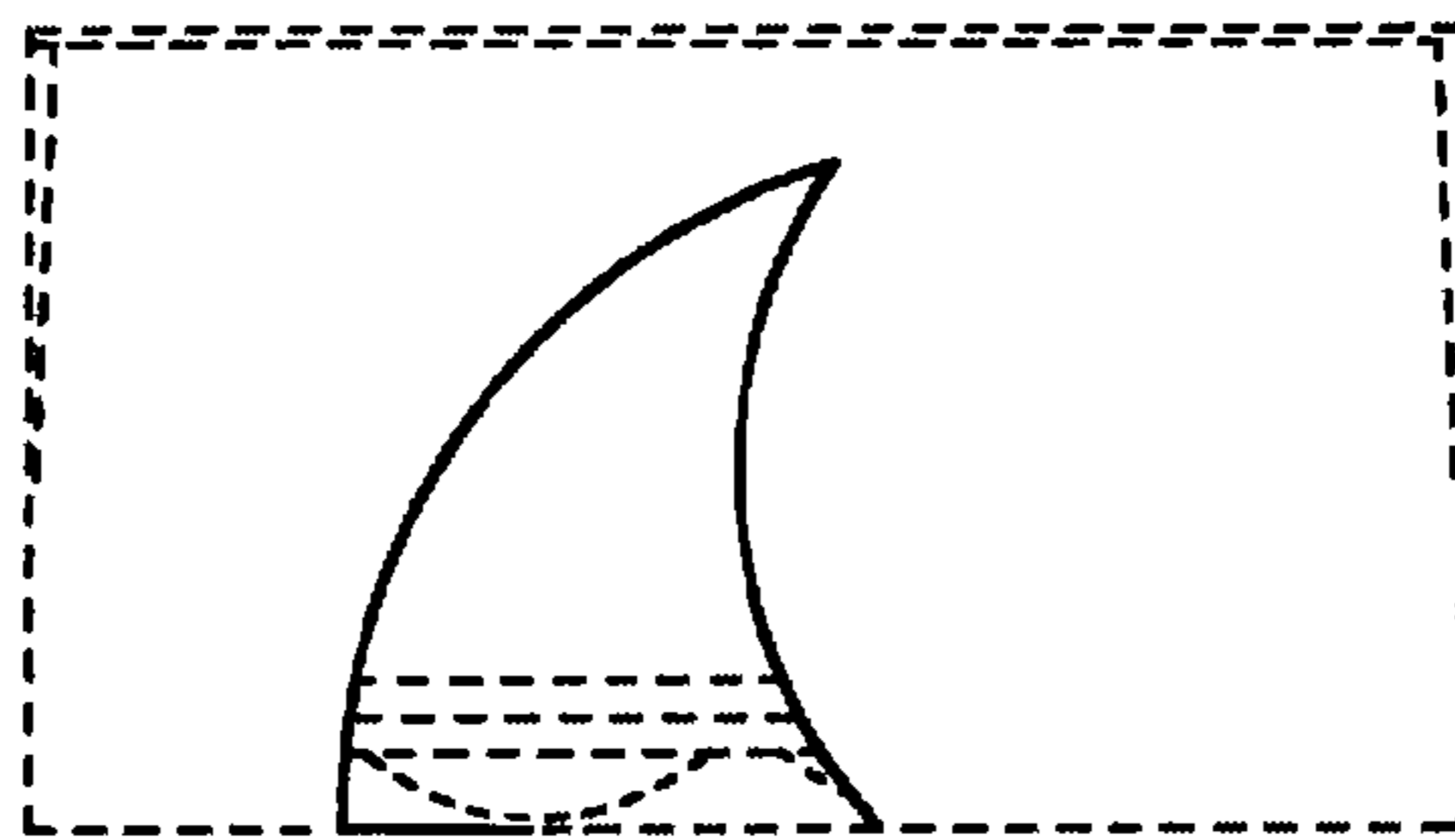
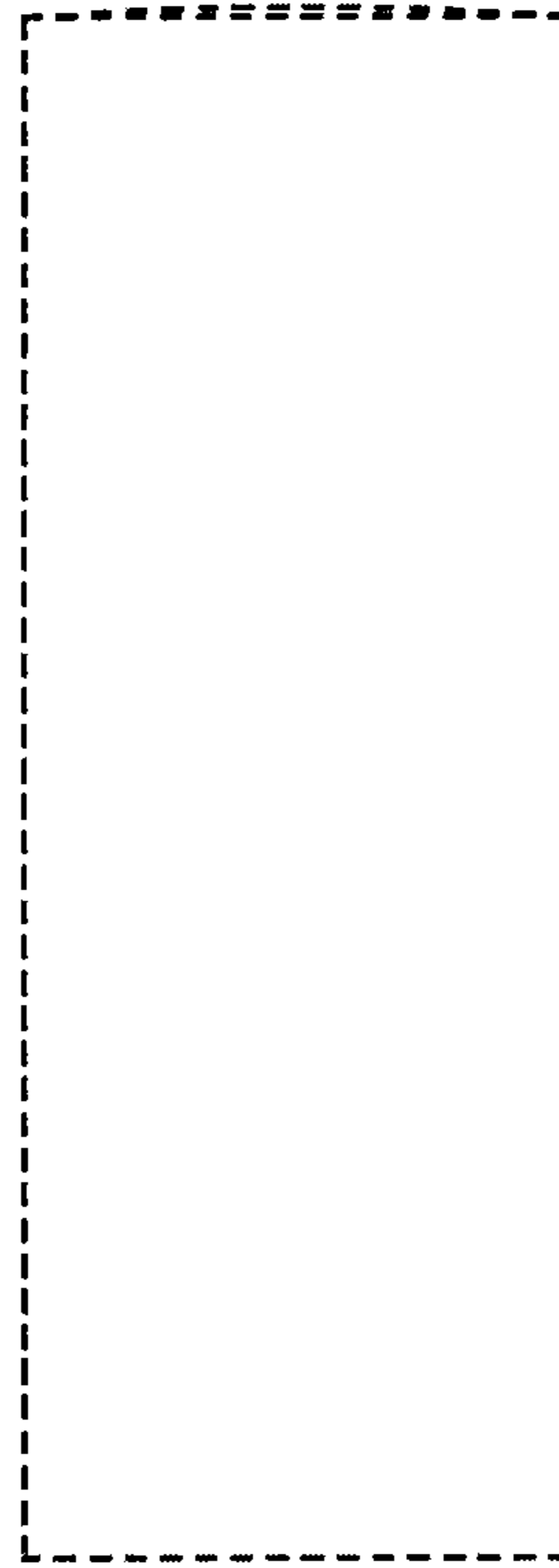


FIG. 15

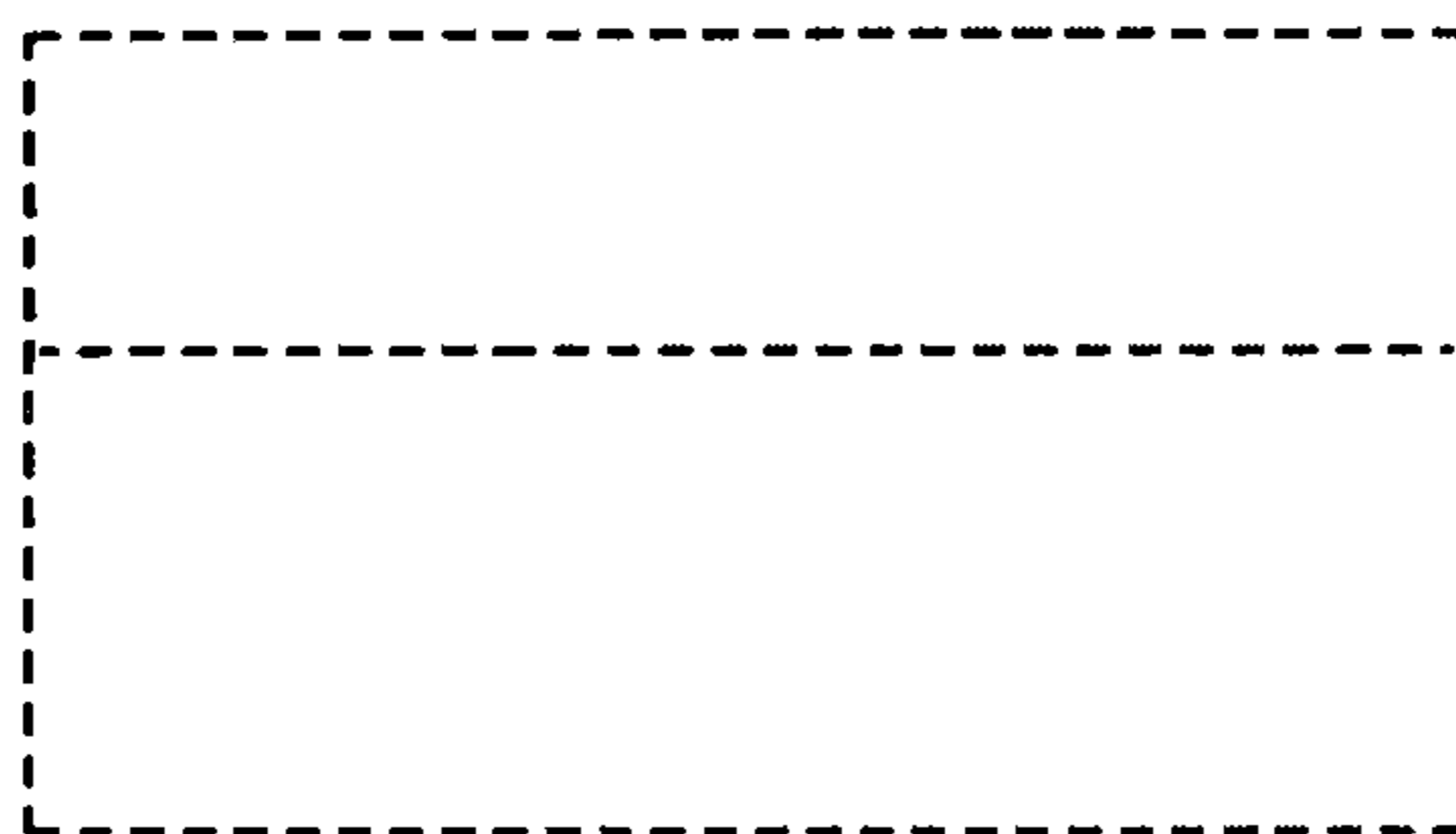


FIG. 16