



US00RE42566E

(19) **United States**
(12) **Reissued Patent**
Mitsumori et al.

(10) **Patent Number:** **US RE42,566 E**
(45) **Date of Reissued Patent:** **Jul. 26, 2011**

(54) **LIQUID FEED NOZZLE, WET TREATMENT, APPARATUS AND WET TREATMENT METHOD**

(75) Inventors: **Kenichi Mitsumori**, Miyagi-ken (JP); **Yasuhiko Kasama**, Miyagi-ken (JP); **Akira Abe**, Miyagi-ken (JP); **Oh Eui Yeol**, Kyongki-Do (KR); **Tadahiro Ohmi**, Miyagi-ken (JP); **Takashi Imaoka**, Miyagi-ken (JP); **Masayuki Toda**, Yamagata-ken (JP)

(73) Assignee: **Alps Electric Co., Ltd.**, Tokyo (JP)
(21) Appl. No.: **10/439,658**
(22) Filed: **May 15, 2003**

Related U.S. Patent Documents

Reissue of:

(64) Patent No.: **6,230,722**
Issued: **May 15, 2001**
Appl. No.: **09/083,348**
Filed: **May 22, 1998**

(30) **Foreign Application Priority Data**

Jul. 24, 1997 (JP) 9-198313

(51) **Int. Cl.**
B08B 3/12 (2006.01)
(52) **U.S. Cl.** **134/122 R**; 134/186; 134/198
(58) **Field of Classification Search** 134/64 R,
134/64 P, 122 R, 122 P, 186, 198, 199; 15/302,
15/320, 321
See application file for complete search history.

(56) **References Cited**

U.S. PATENT DOCUMENTS

1,659,010 A * 2/1928 Vickery 162/279
2,497,435 A * 2/1950 Branneman 15/314

2,956,494 A * 10/1960 Tyler et al. 134/122 R
3,141,793 A * 7/1964 Oliphant 118/300
3,371,651 A * 3/1968 Leedom et al. 399/239
3,461,843 A * 8/1969 Noon 399/238
3,594,849 A * 7/1971 Coshov 15/321
3,609,916 A * 10/1971 Hammelmann 451/94
3,705,437 A * 12/1972 Rukavina et al. 15/302
3,840,935 A * 10/1974 Fitzgerald et al. 15/322
3,874,022 A * 4/1975 Wogoman et al. 15/321
3,942,214 A * 3/1976 Maasberg 15/320
3,958,587 A * 5/1976 Brown 134/198

(Continued)

FOREIGN PATENT DOCUMENTS

DE 41 07 854 * 9/1992

(Continued)

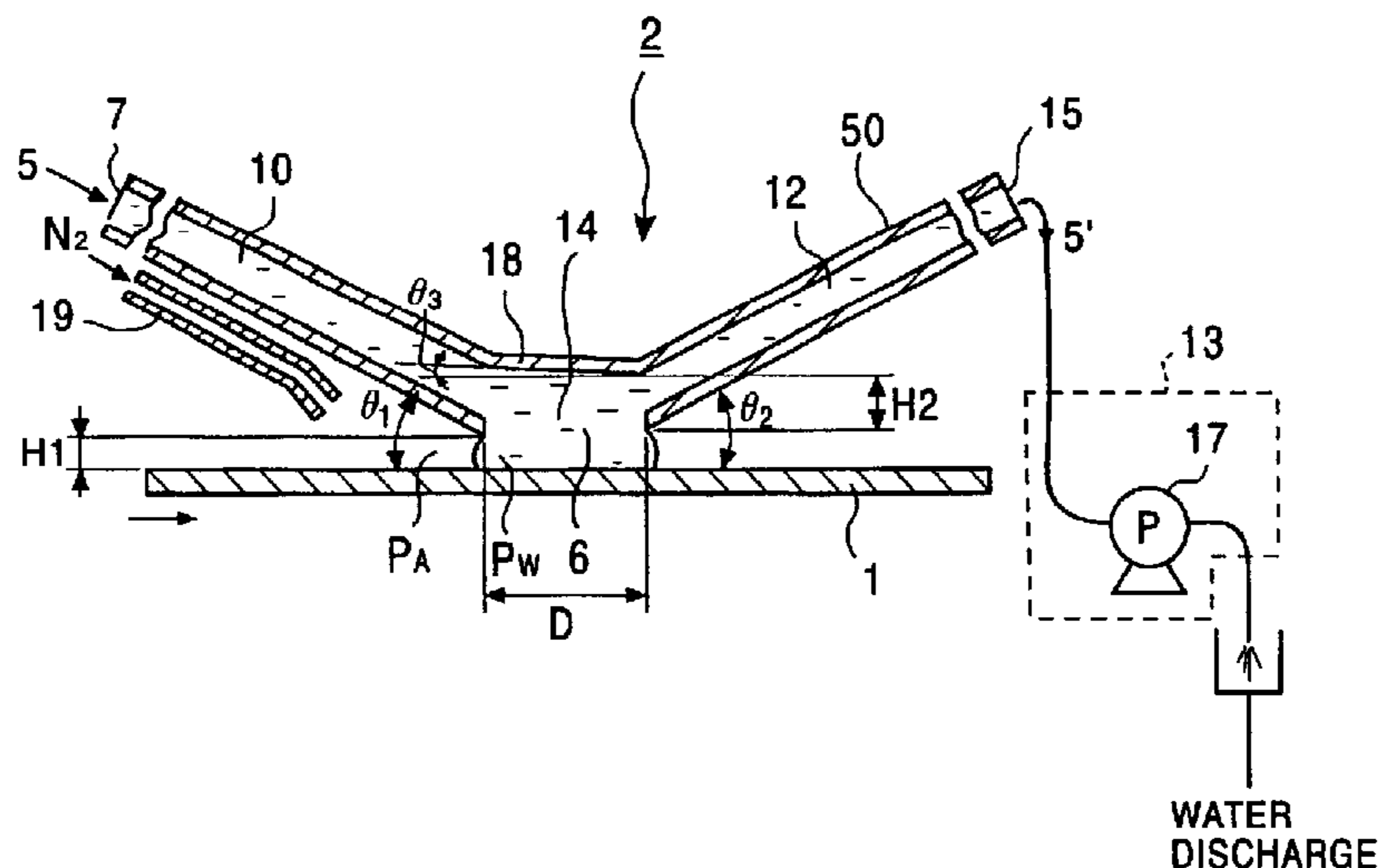
Primary Examiner — Frankie L Stinson

(74) *Attorney, Agent, or Firm* — Brinks Hofer Gilson & Lione

(57) **ABSTRACT**

The wet treatment liquid feed nozzle of the invention comprises an introducing path 10 having an introducing port 7, a discharging path 12 having a discharging port 15, a crossing section 14 formed by causing the introducing path 10 and the discharging path 12 to cross at the other ends thereof, a nozzle assembly 50 having an opening section 6 opening to an object to be treated 1, provided at the crossing section 14, and pressure control means 13, for controlling the difference between the pressure of the wet treatment liquid in contact with the object to be treated 1 and the atmospheric pressure provided at least on the discharging path 12 side so that the wet treatment liquid having been in contact with the object to be treated 1 via the opening section 6 does not flow to outside the discharging path 12.

64 Claims, 50 Drawing Sheets



US RE42,566 E

Page 2

U.S. PATENT DOCUMENTS

4,103,519 A * 8/1978 Davidson 68/3 SS
4,168,562 A * 9/1979 Maasberg 15/320
4,649,594 A * 3/1987 Grave 15/322
4,720,889 A * 1/1988 Grave 15/322
4,777,971 A * 10/1988 Tribout et al. 134/99.1
5,028,004 A * 7/1991 Hammelmann 239/120
5,125,126 A * 6/1992 Bonnant 15/321
5,335,681 A * 8/1994 Schmid 134/64 R
5,339,842 A * 8/1994 Bok 134/1
5,413,808 A * 5/1995 Wyner 427/140
5,460,657 A * 10/1995 Ally 134/20
5,484,427 A * 1/1996 Gibbons 604/313
5,574,485 A * 11/1996 Anderson et al. 347/27
5,575,211 A * 11/1996 Harrison 101/425
5,589,080 A * 12/1996 Cho et al. 210/791
5,647,090 A * 7/1997 Yang 15/322
5,655,247 A * 8/1997 Allen et al. 15/103

5,815,869 A * 10/1998 Hopkins 8/158
5,818,485 A * 10/1998 Rezanka 347/89
5,839,155 A * 11/1998 Berglund et al. 15/321
5,898,970 A * 5/1999 Straiton 15/321
6,047,715 A * 4/2000 Mooney et al. 134/122 R
6,055,699 A * 5/2000 Cho 15/321
6,059,919 A * 5/2000 Schneider et al. 156/344

FOREIGN PATENT DOCUMENTS

DE 42 37 940 * 5/1993
JP 54-102190 * 8/1979
JP 62-122132 * 6/1987
JP 03-259523 * 11/1991
JP 3-259523 11/1991
JP 4-34991 * 2/1992
JP 10146301 * 6/1998

* cited by examiner

FIG. 1

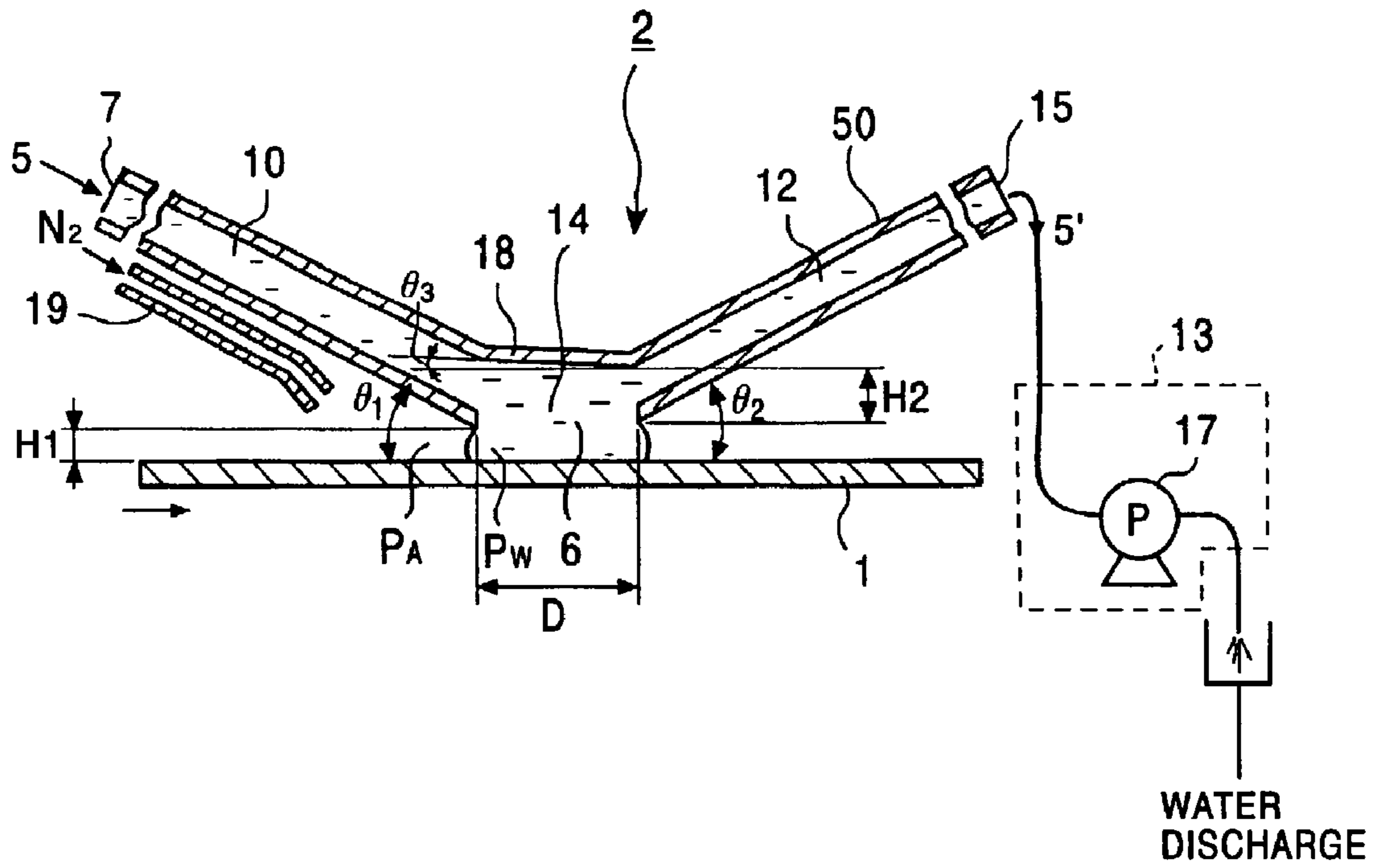


FIG. 2A

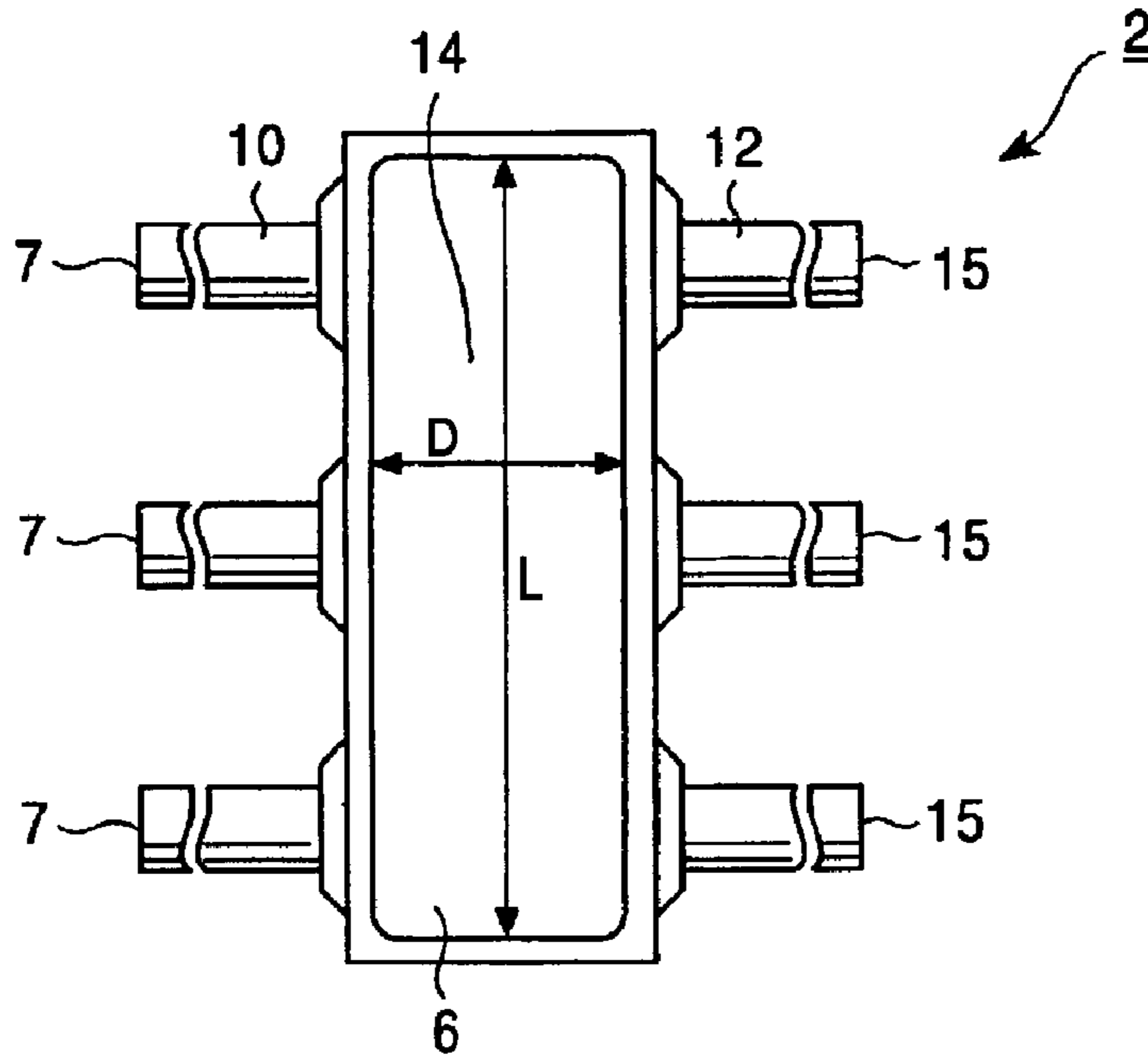


FIG. 2B

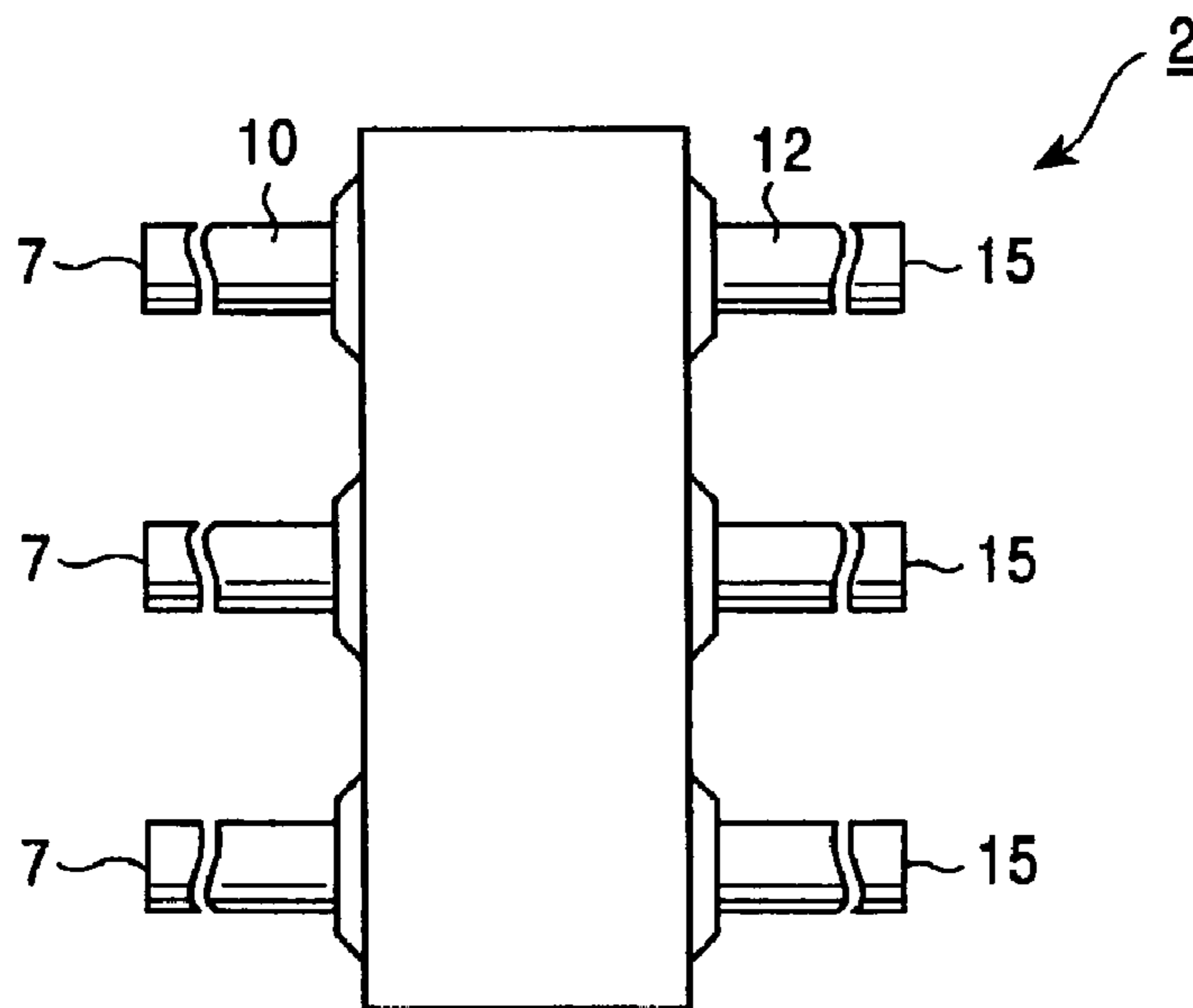


FIG. 3

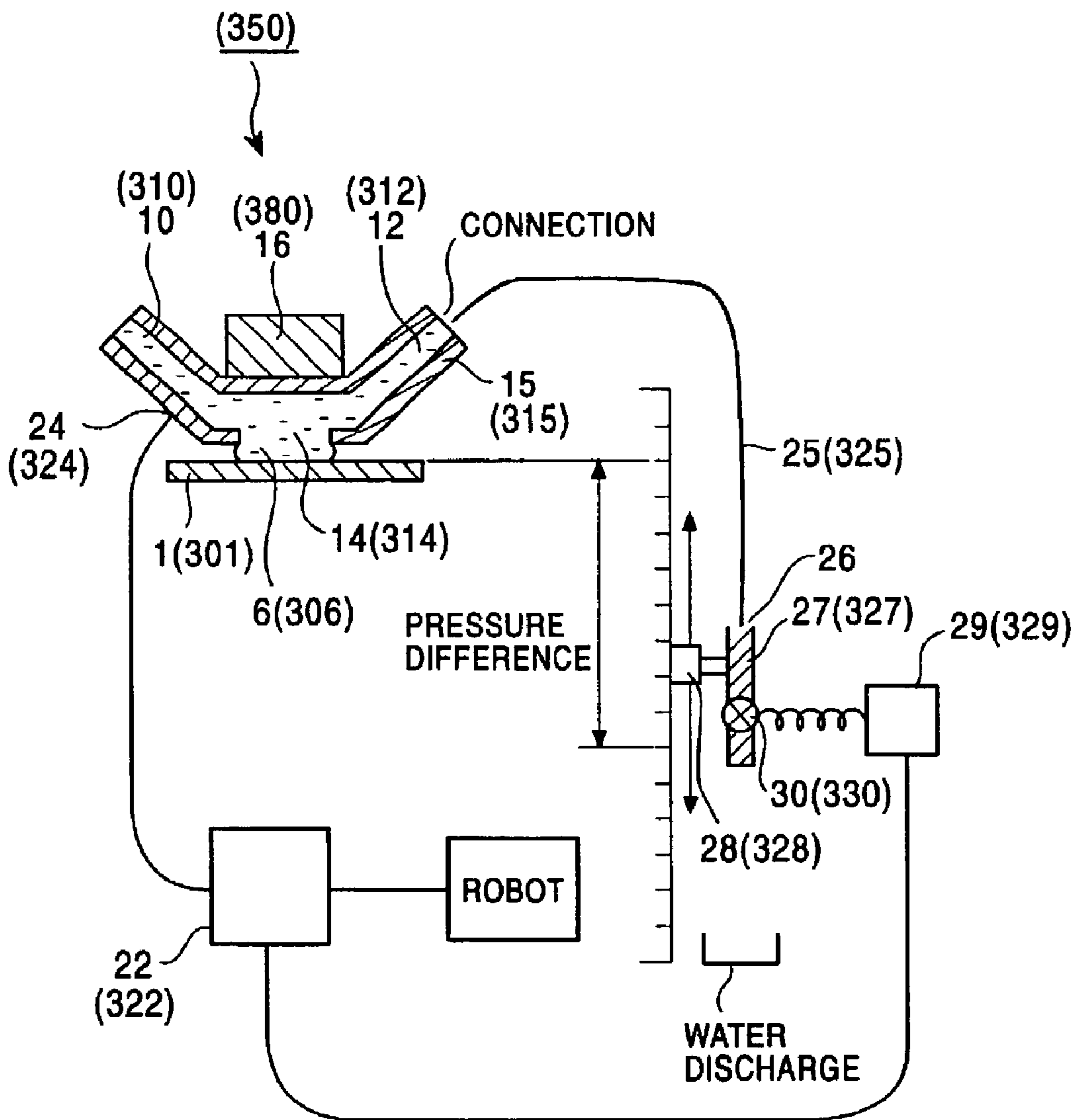


FIG. 4

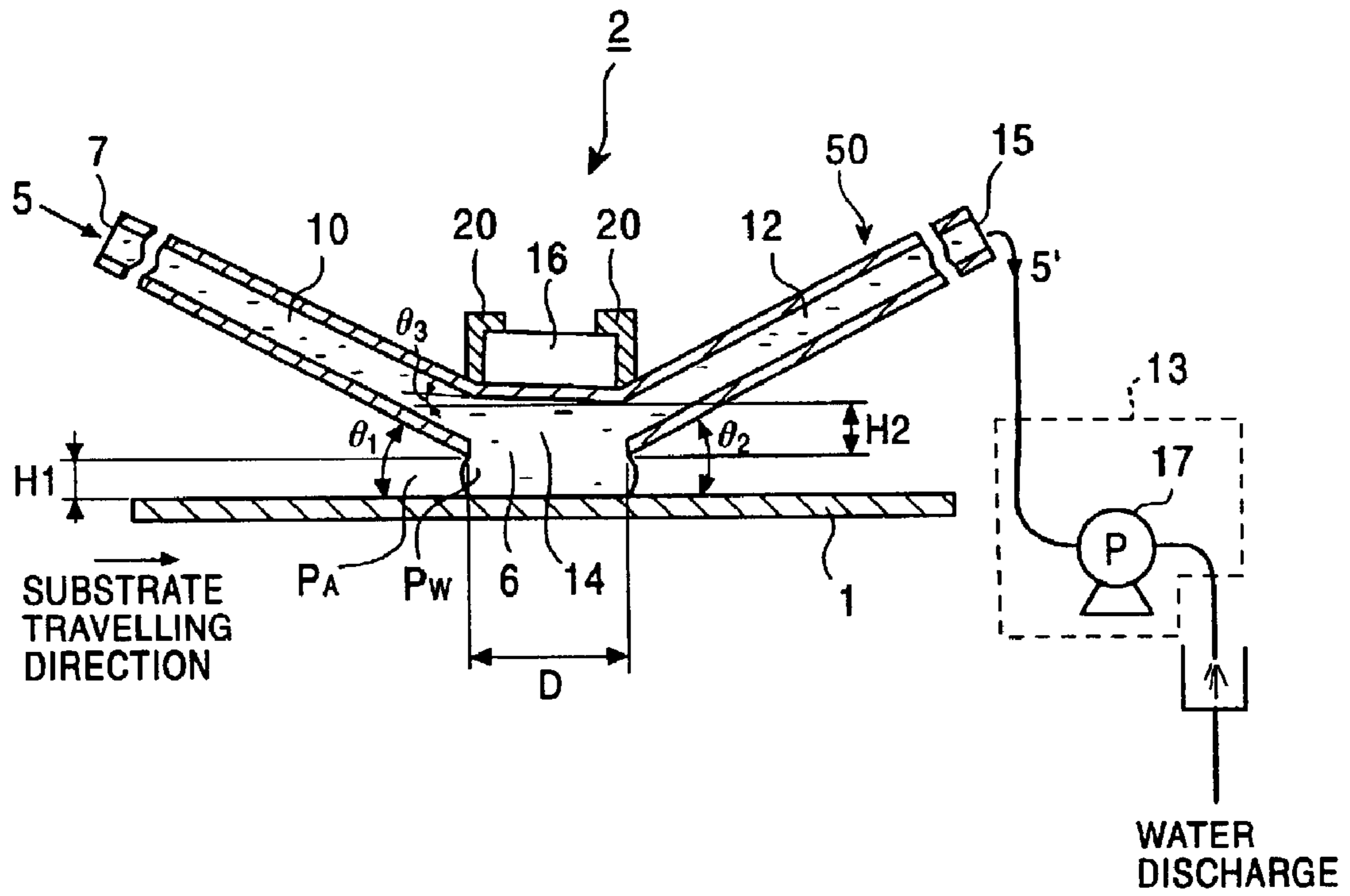


FIG. 5A

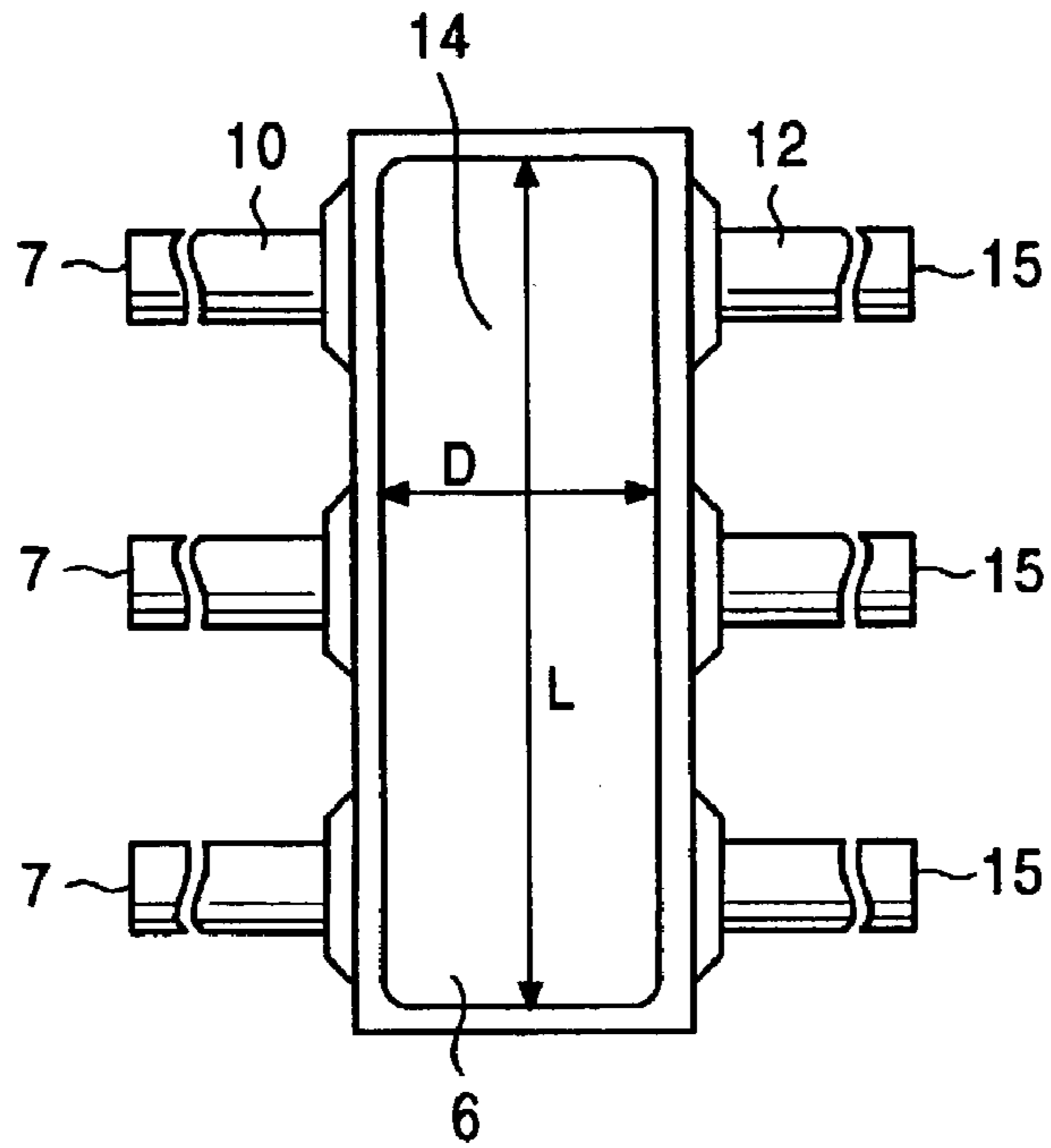


FIG. 5B

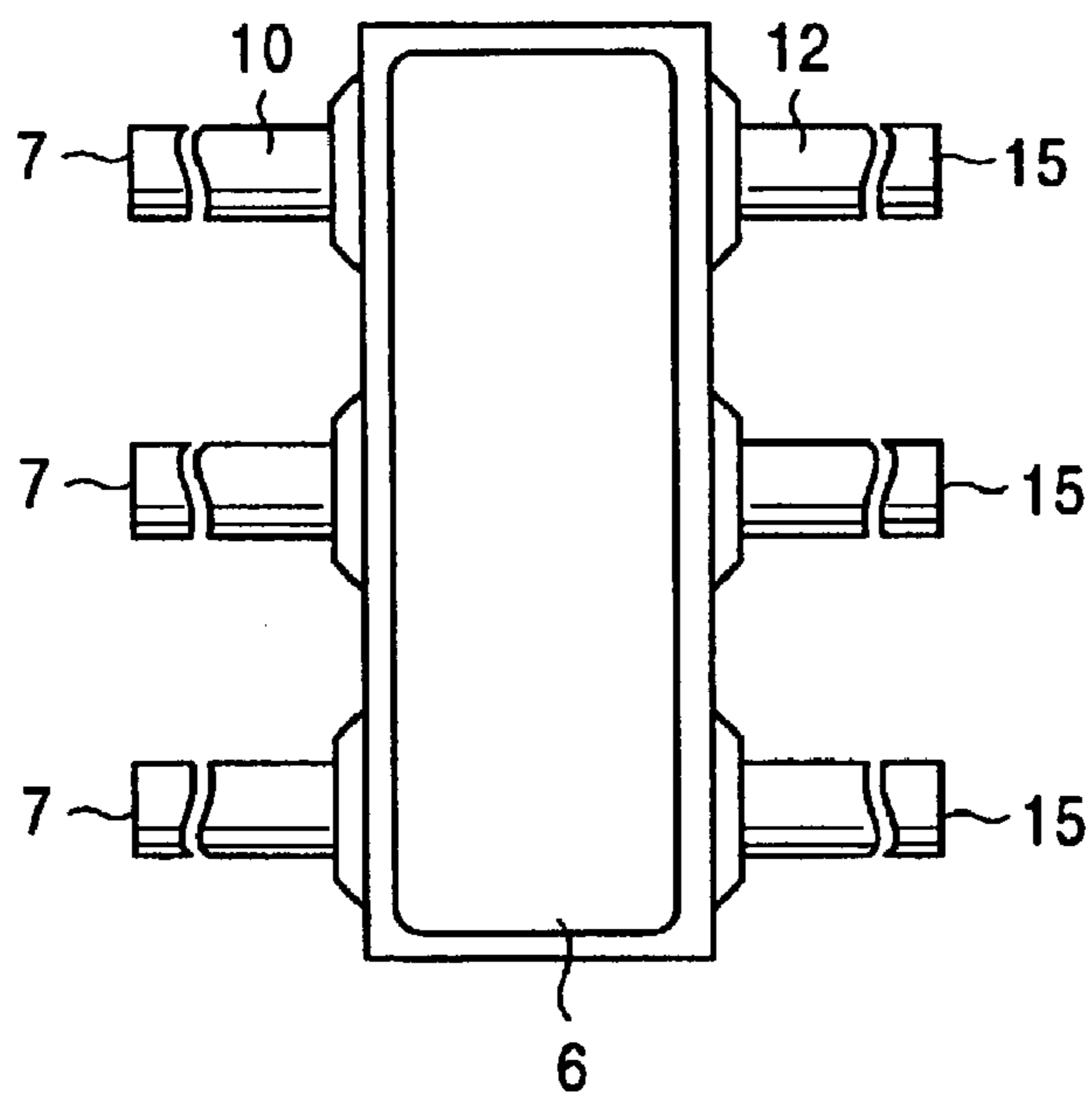


FIG. 6

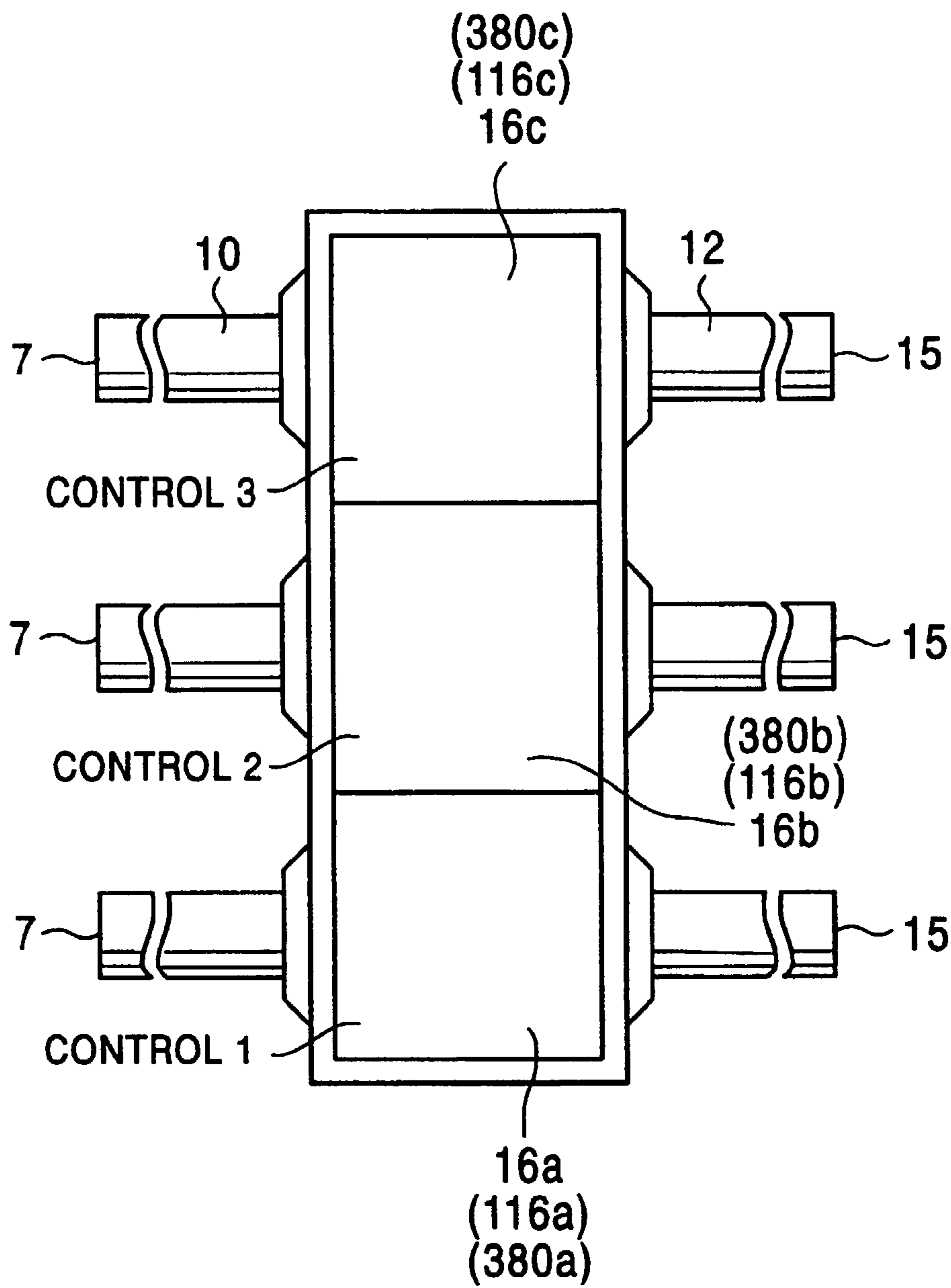


FIG. 7

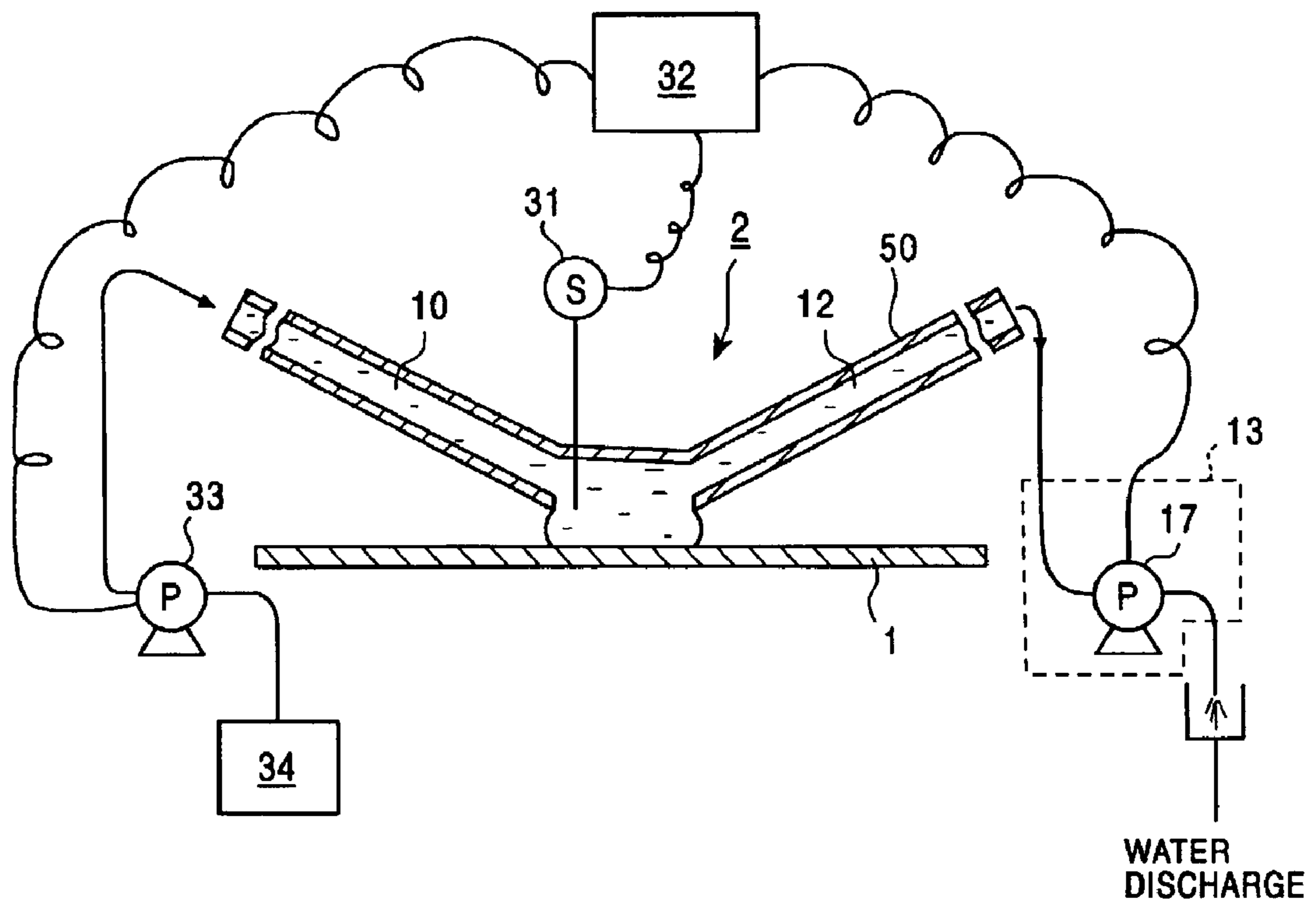


FIG. 8A

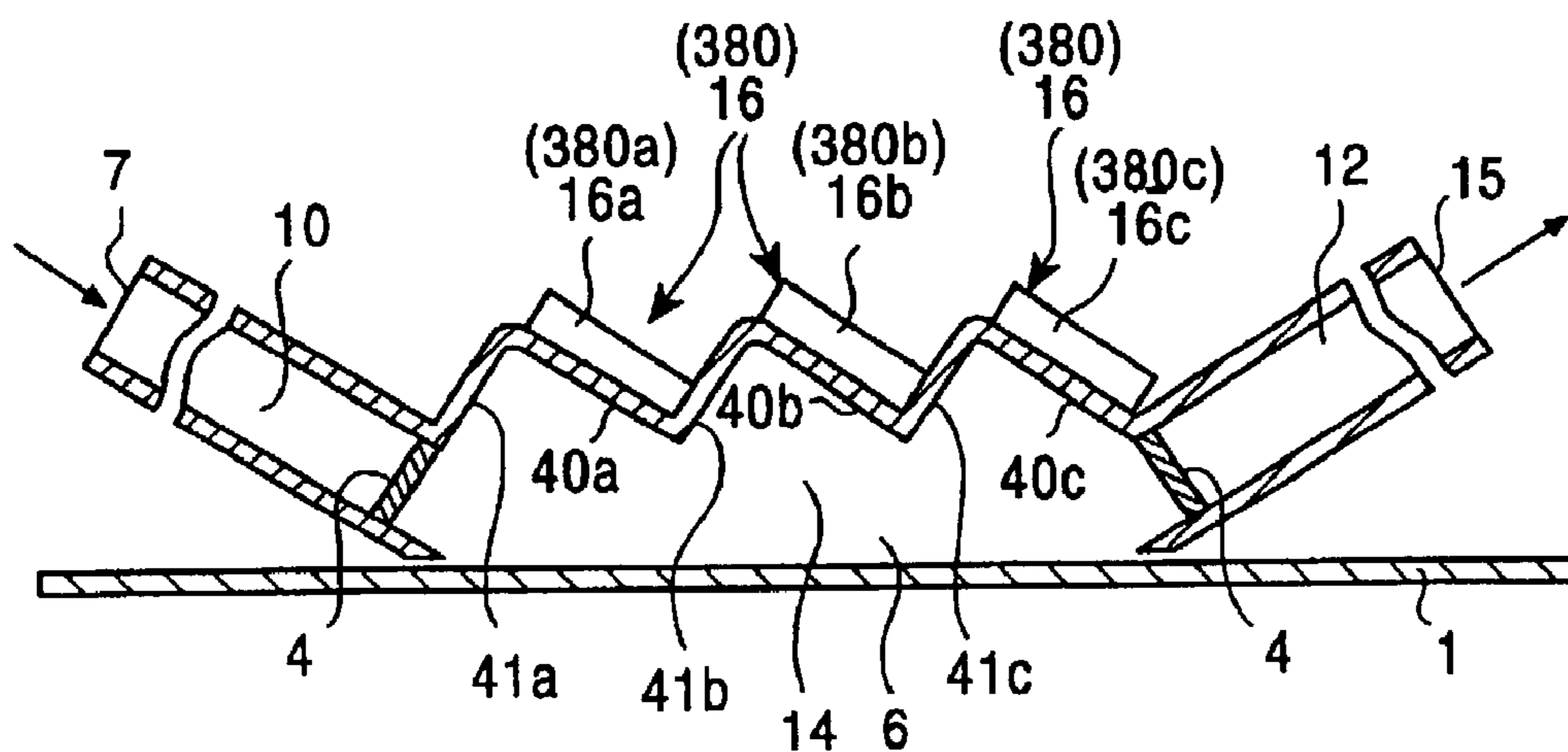


FIG. 8B

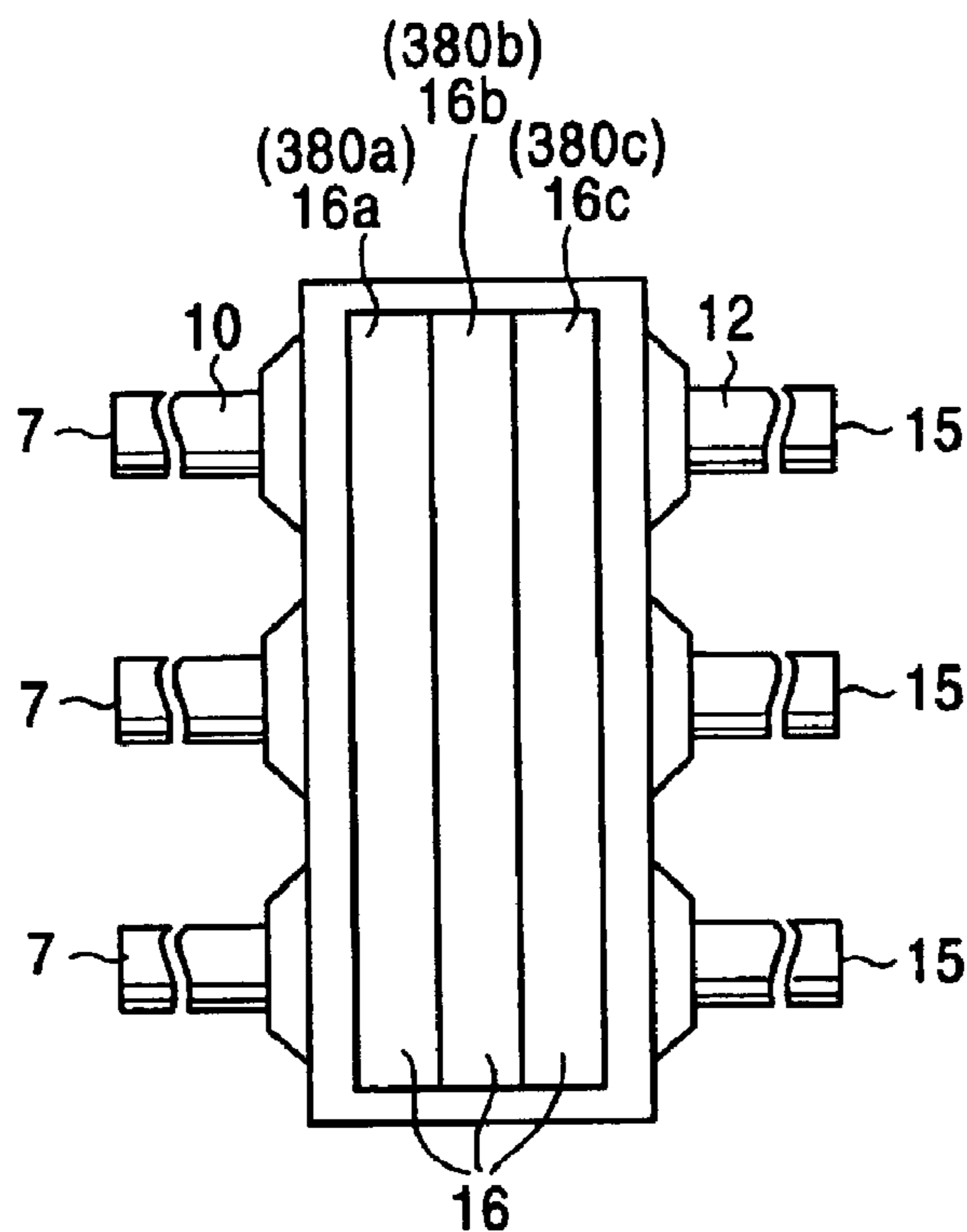


FIG. 9A

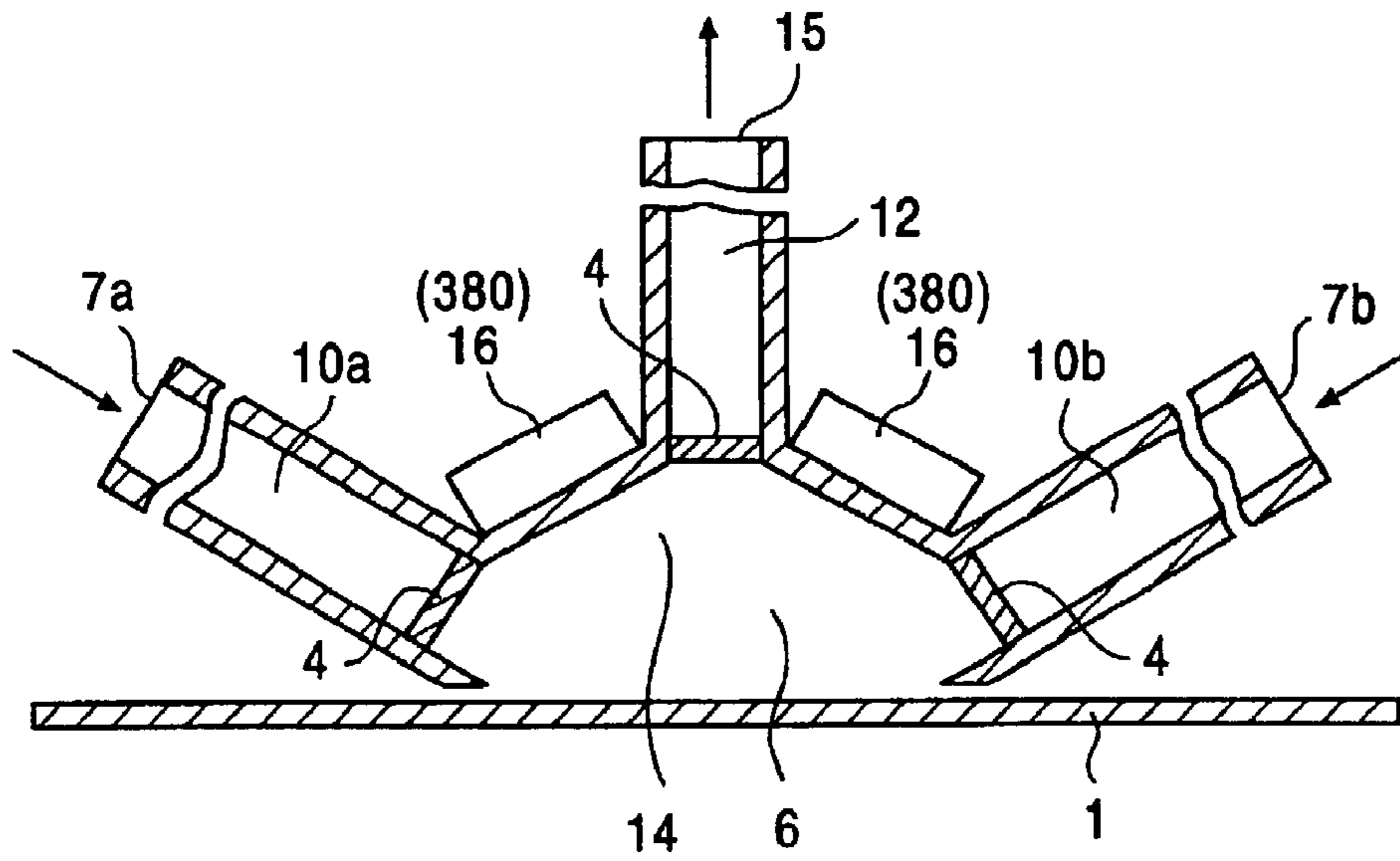


FIG. 9B

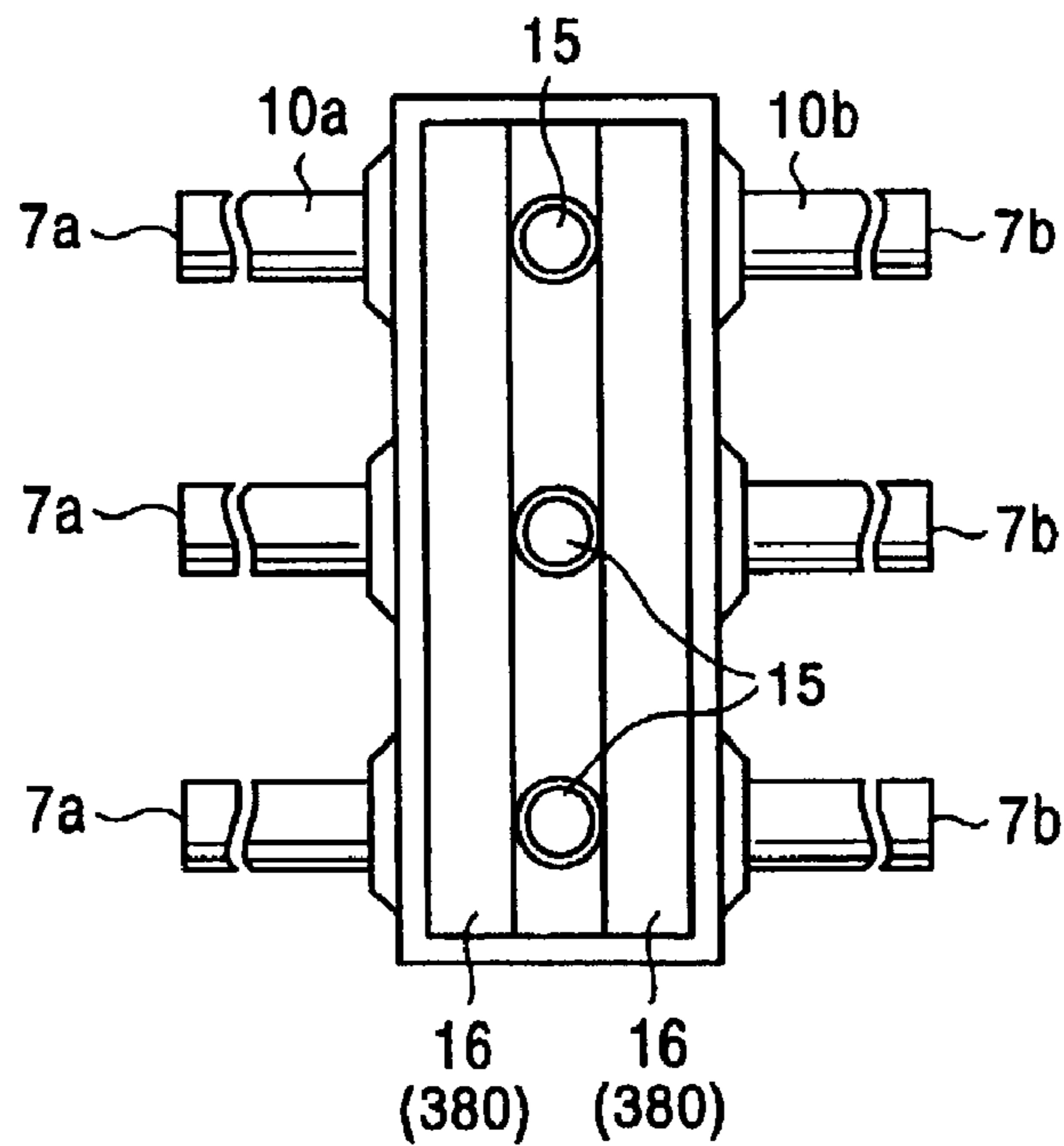


FIG. 10A

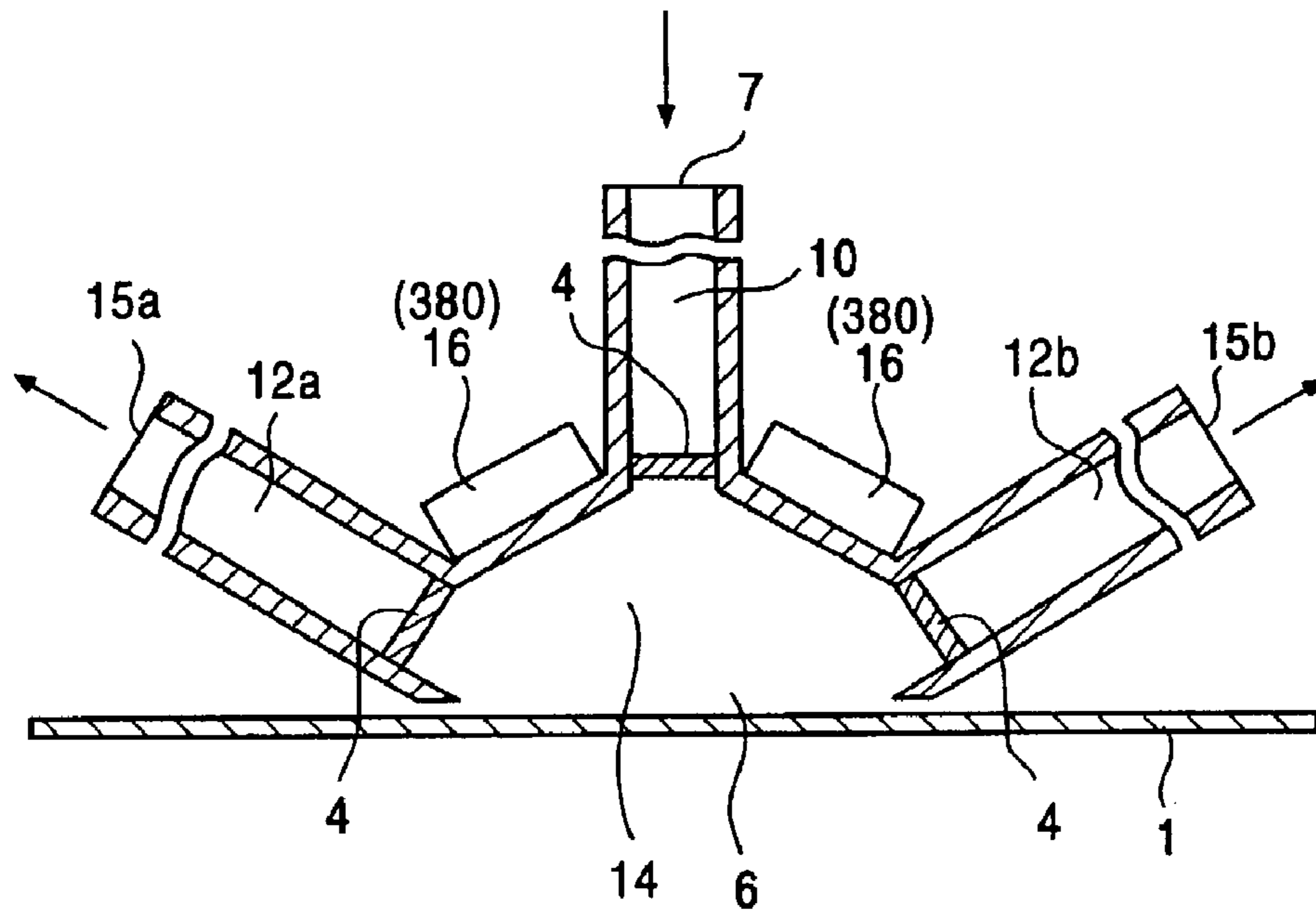


FIG. 10B

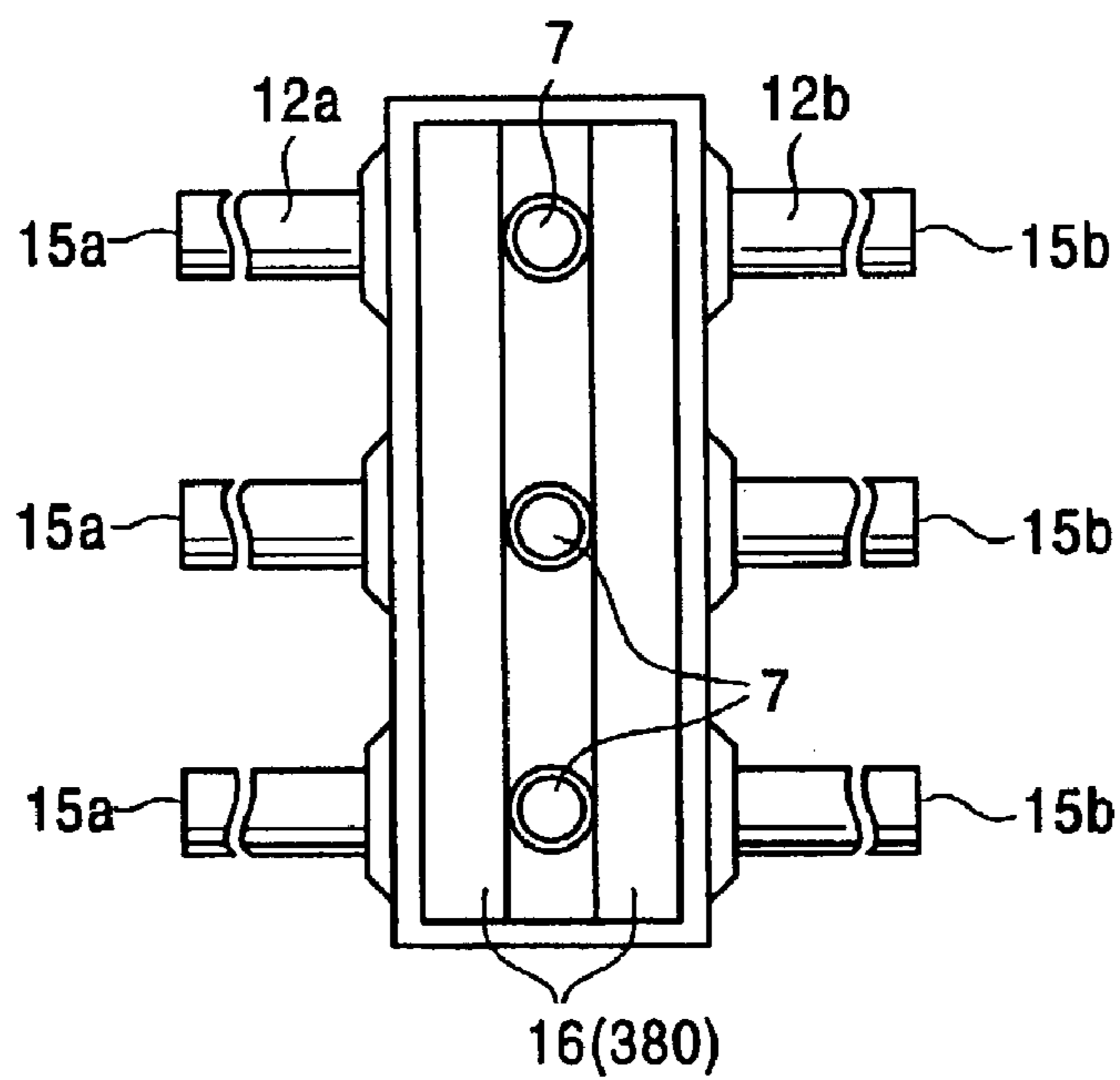


FIG. 11A

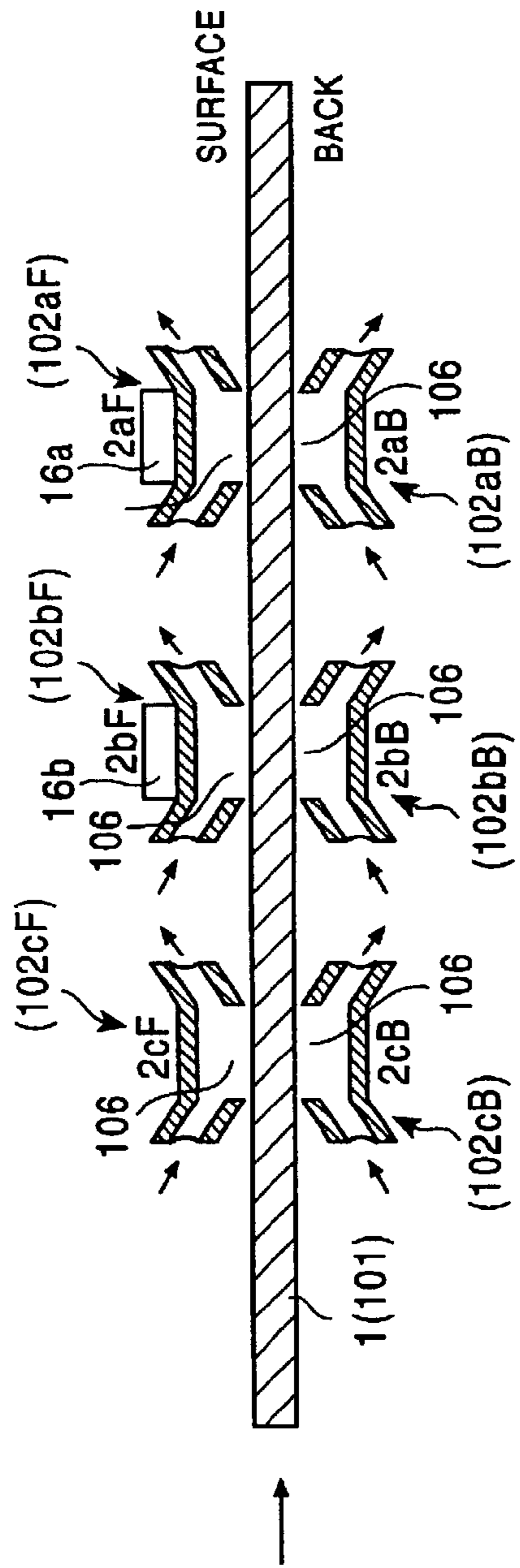


FIG. 11B

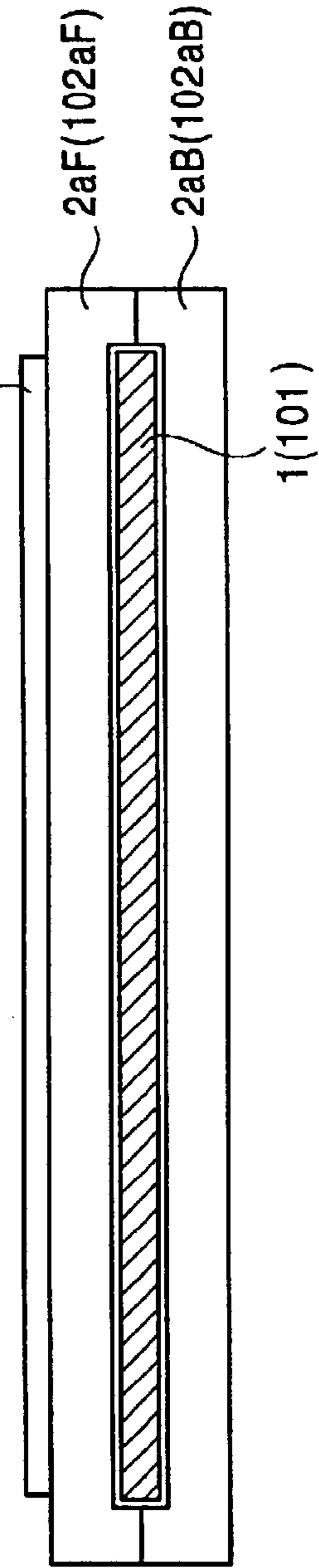


FIG. 12A

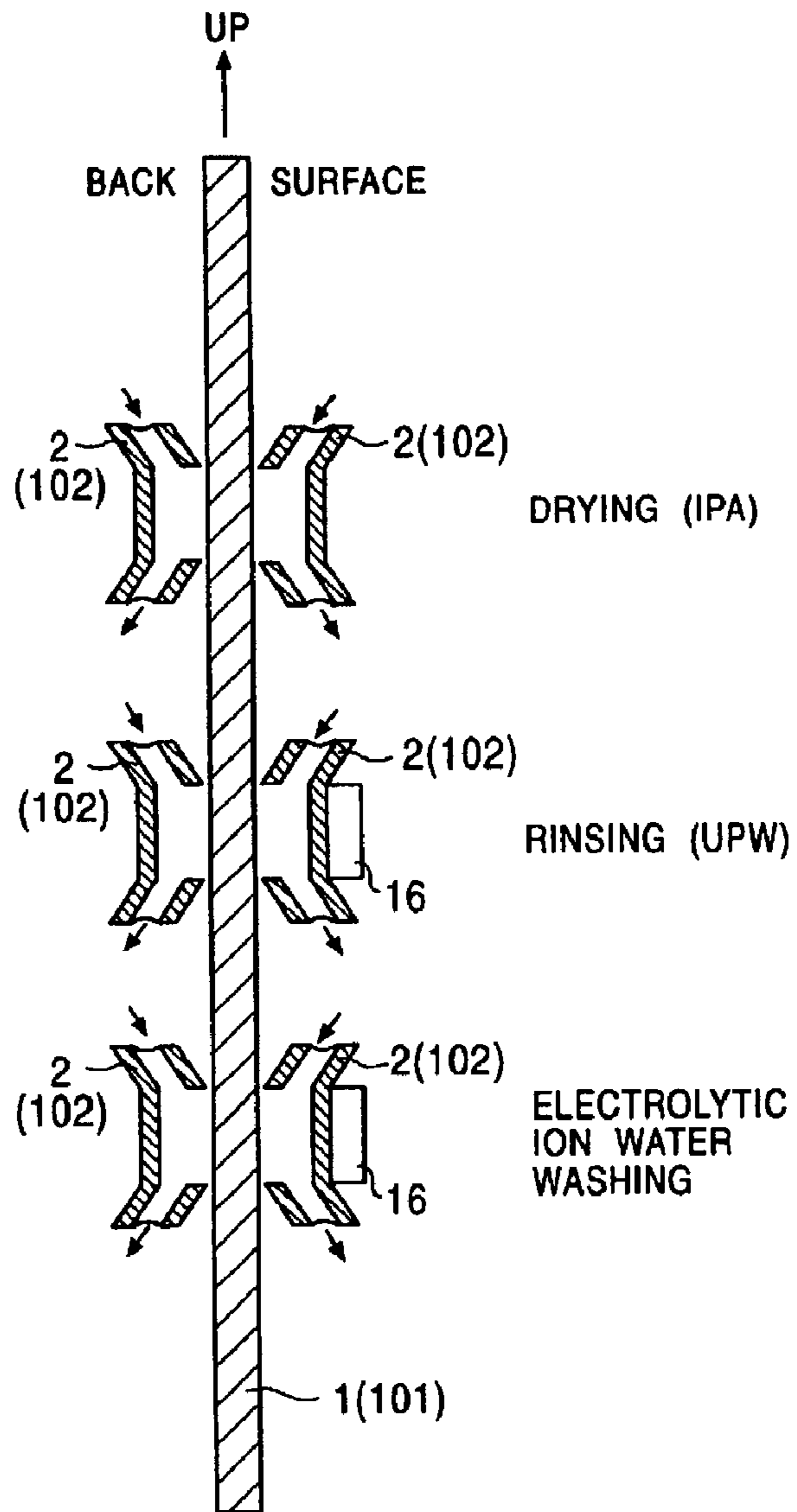


FIG. 12B

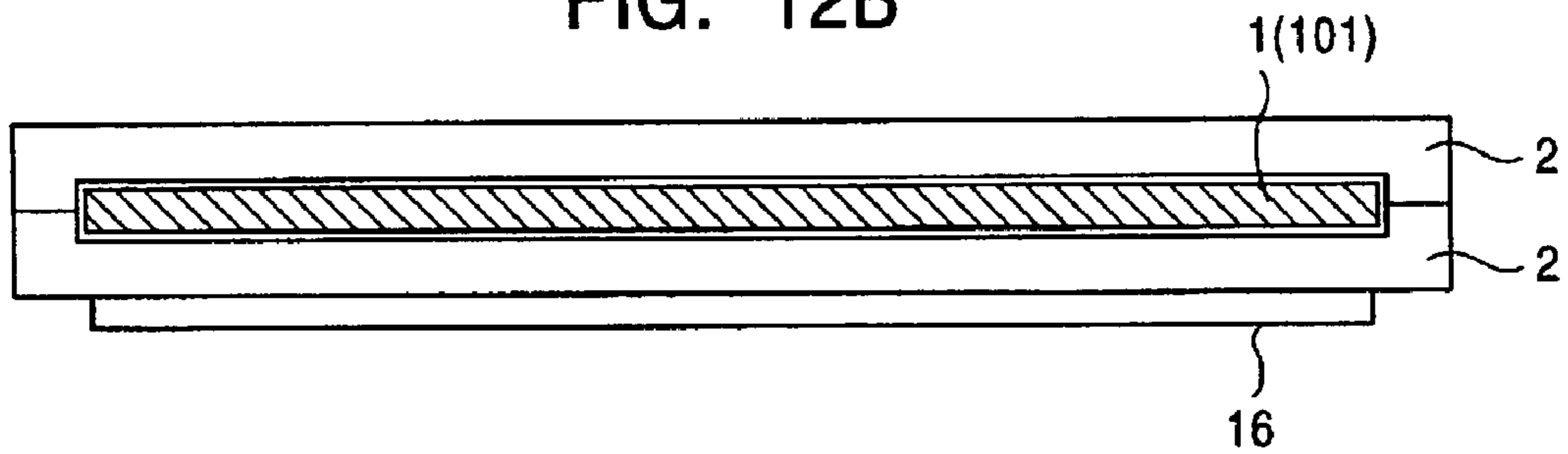


FIG. 13A

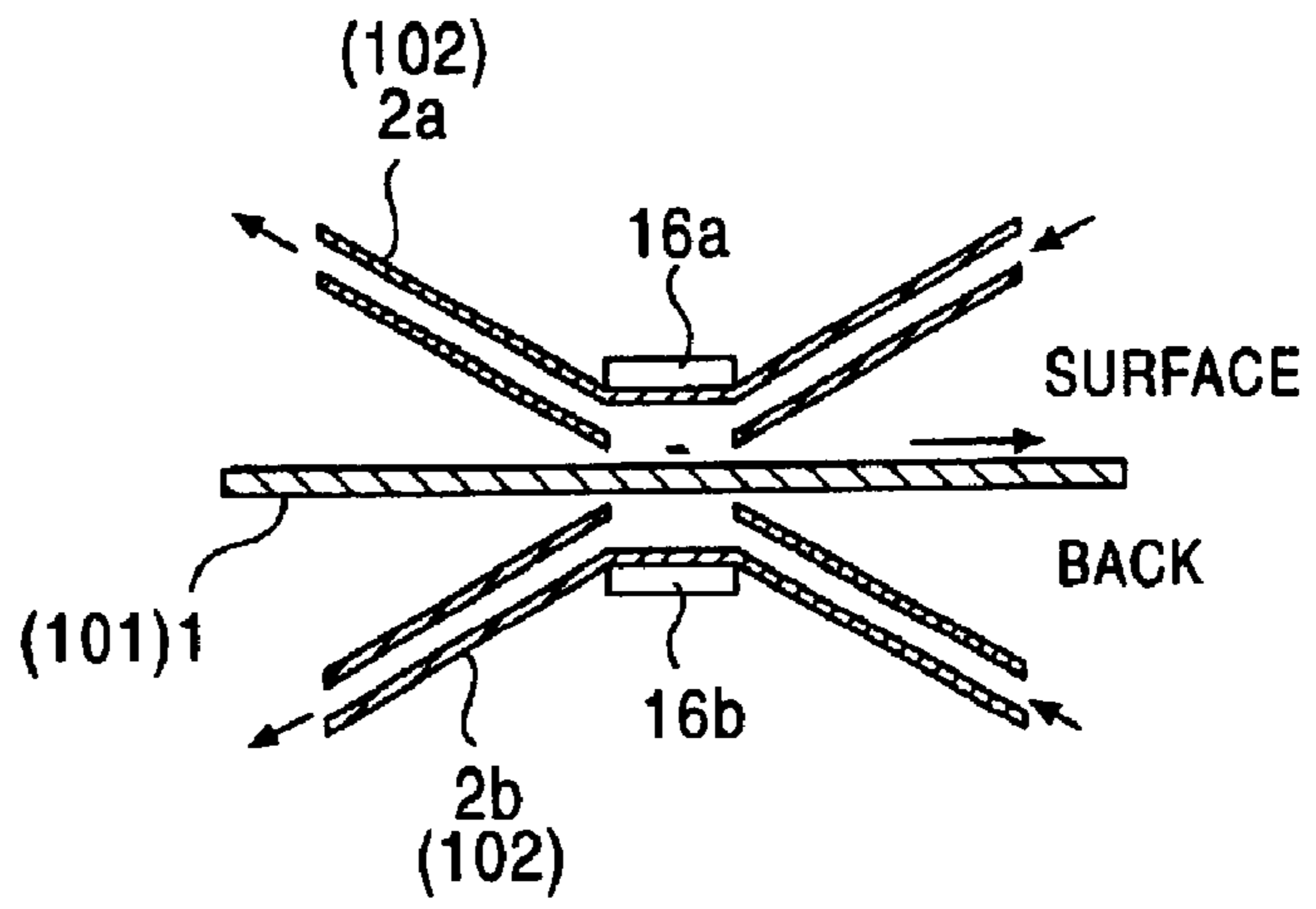


FIG. 13B

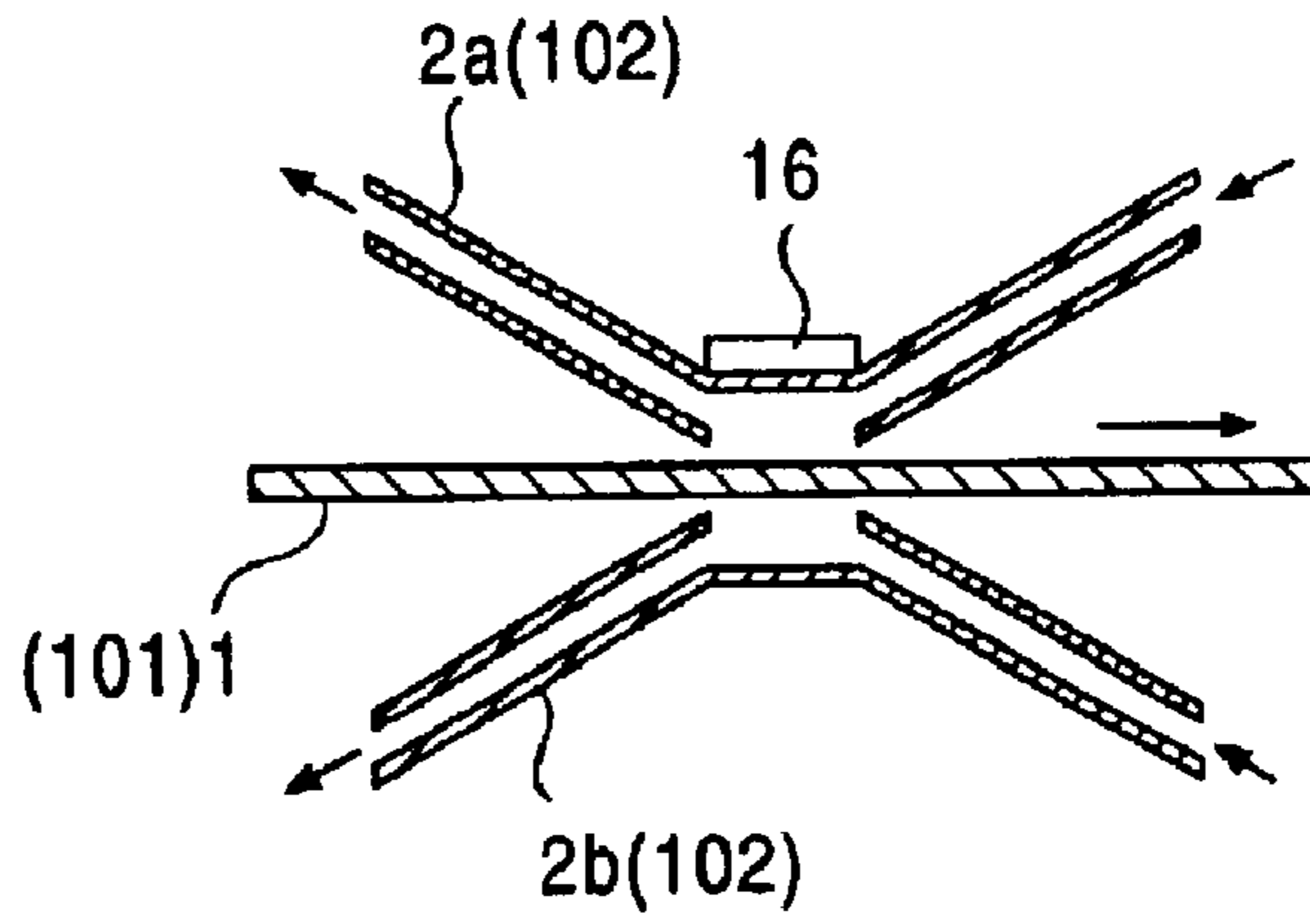


FIG. 13C

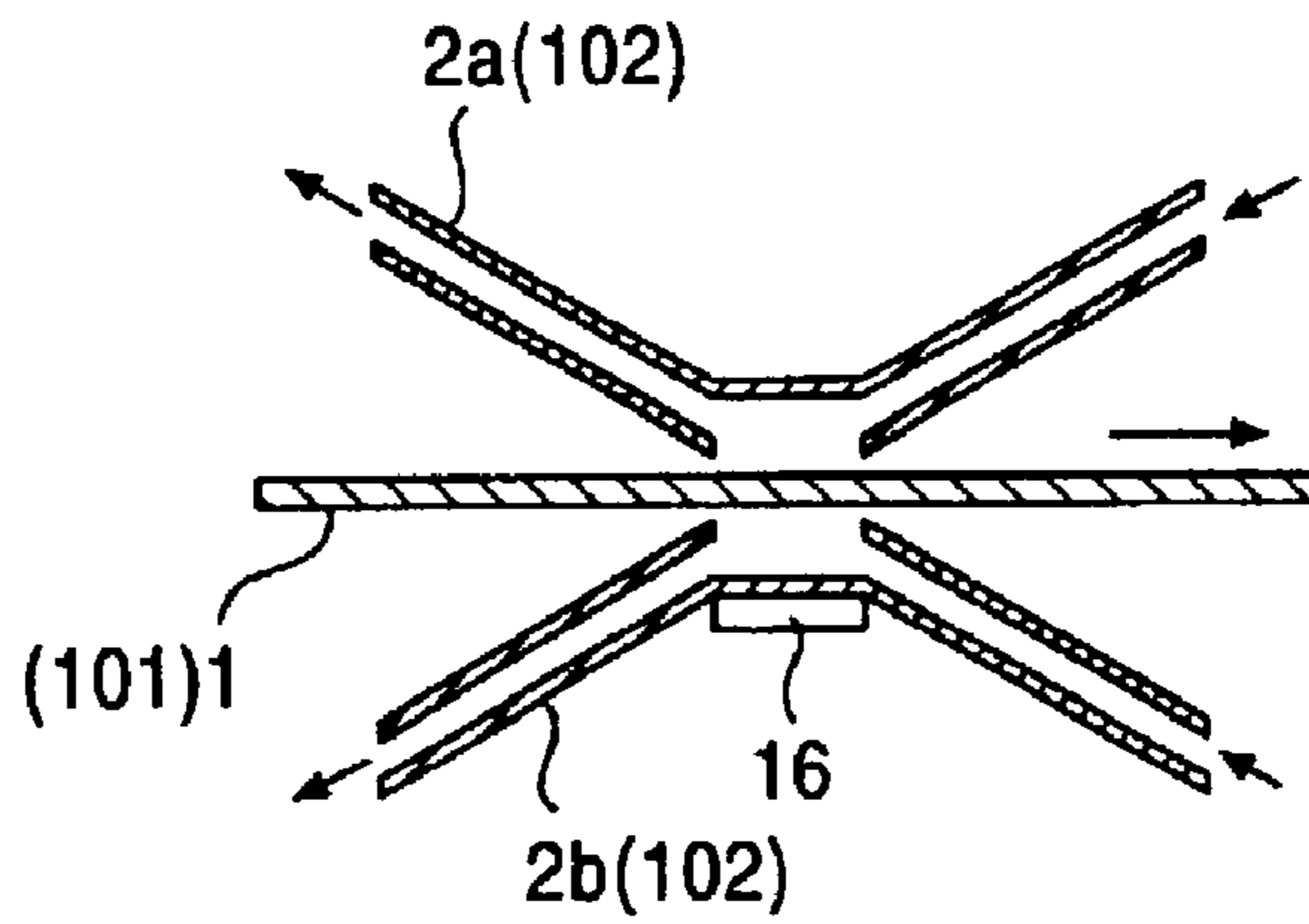


FIG. 14A

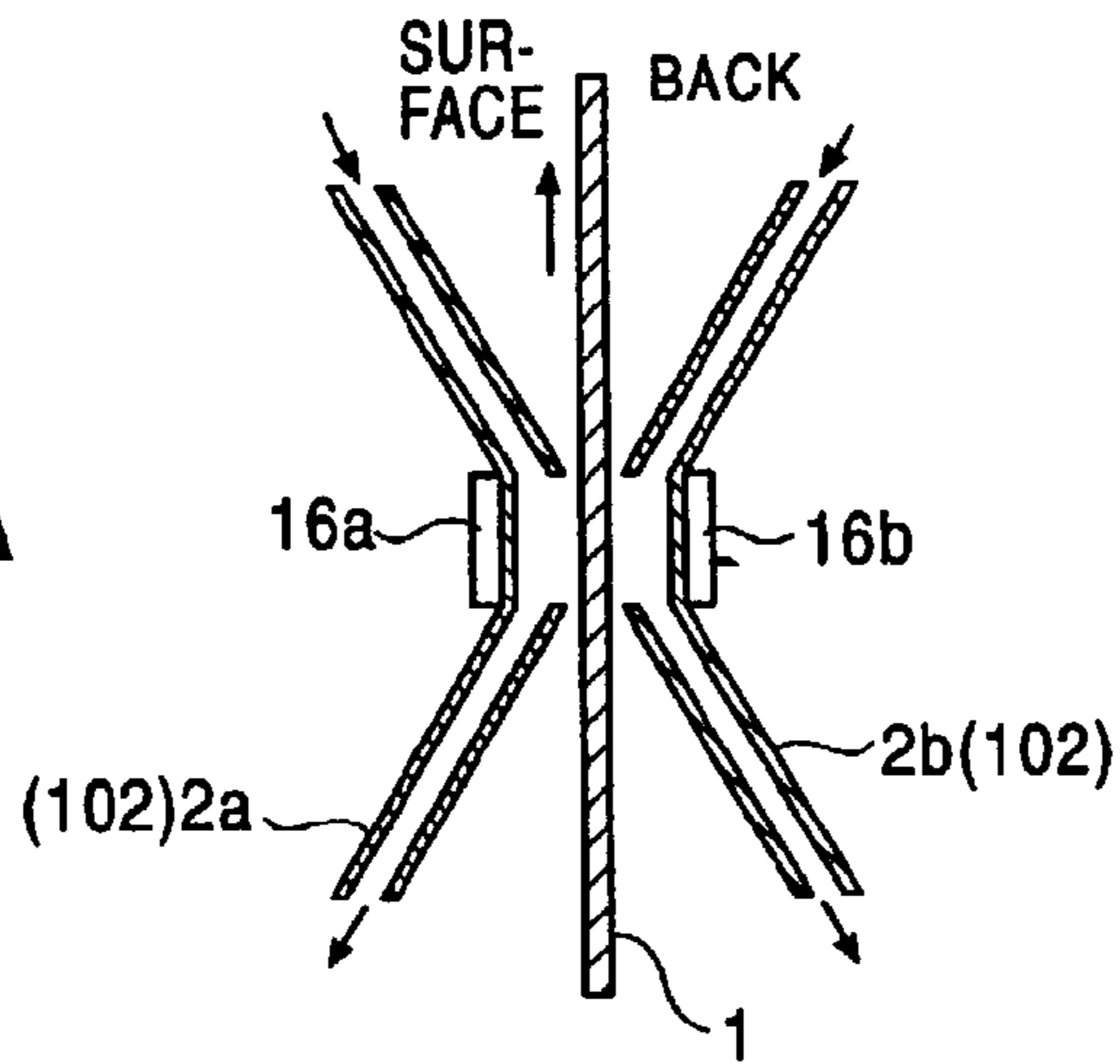


FIG. 14B

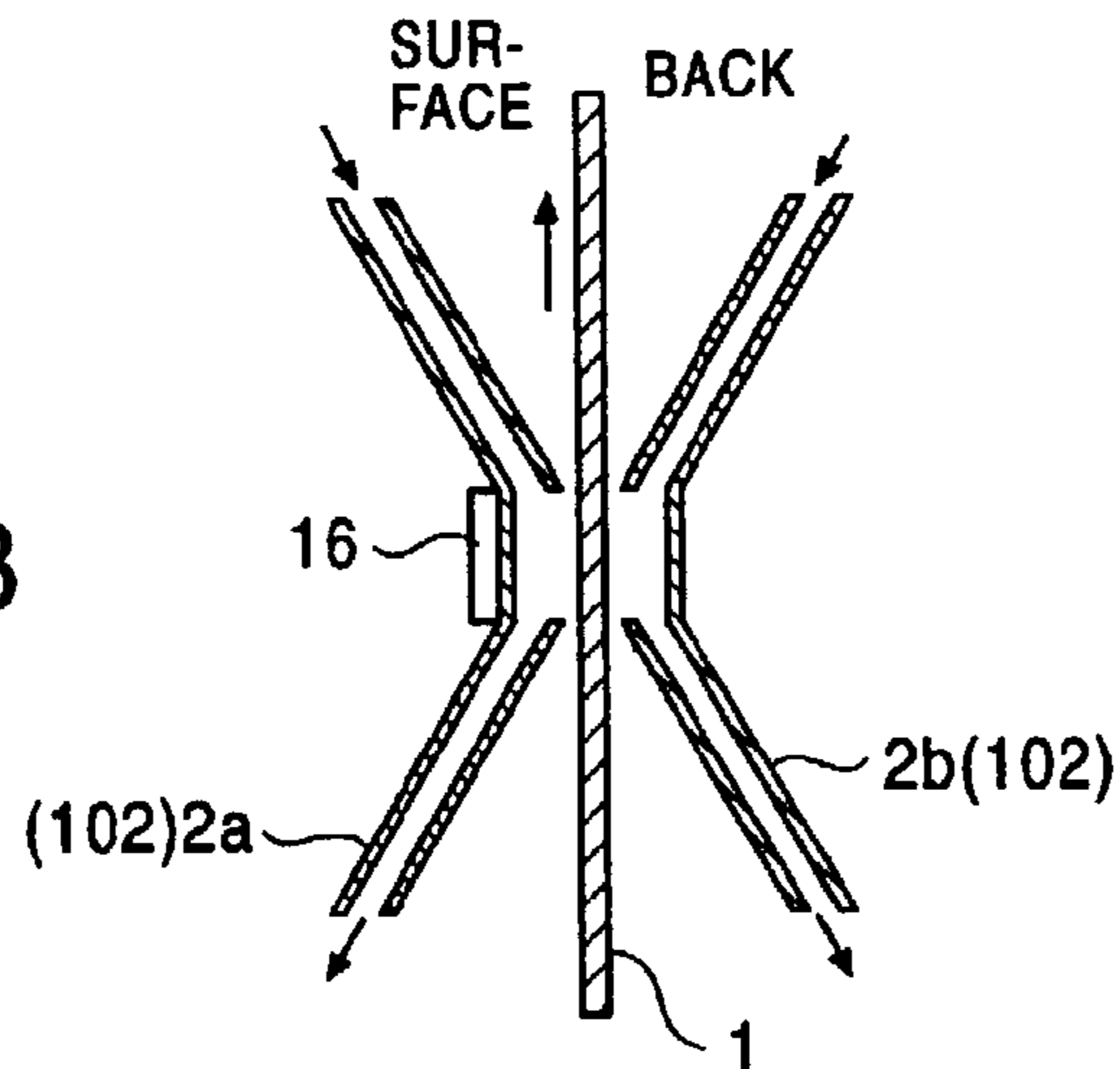


FIG. 14C

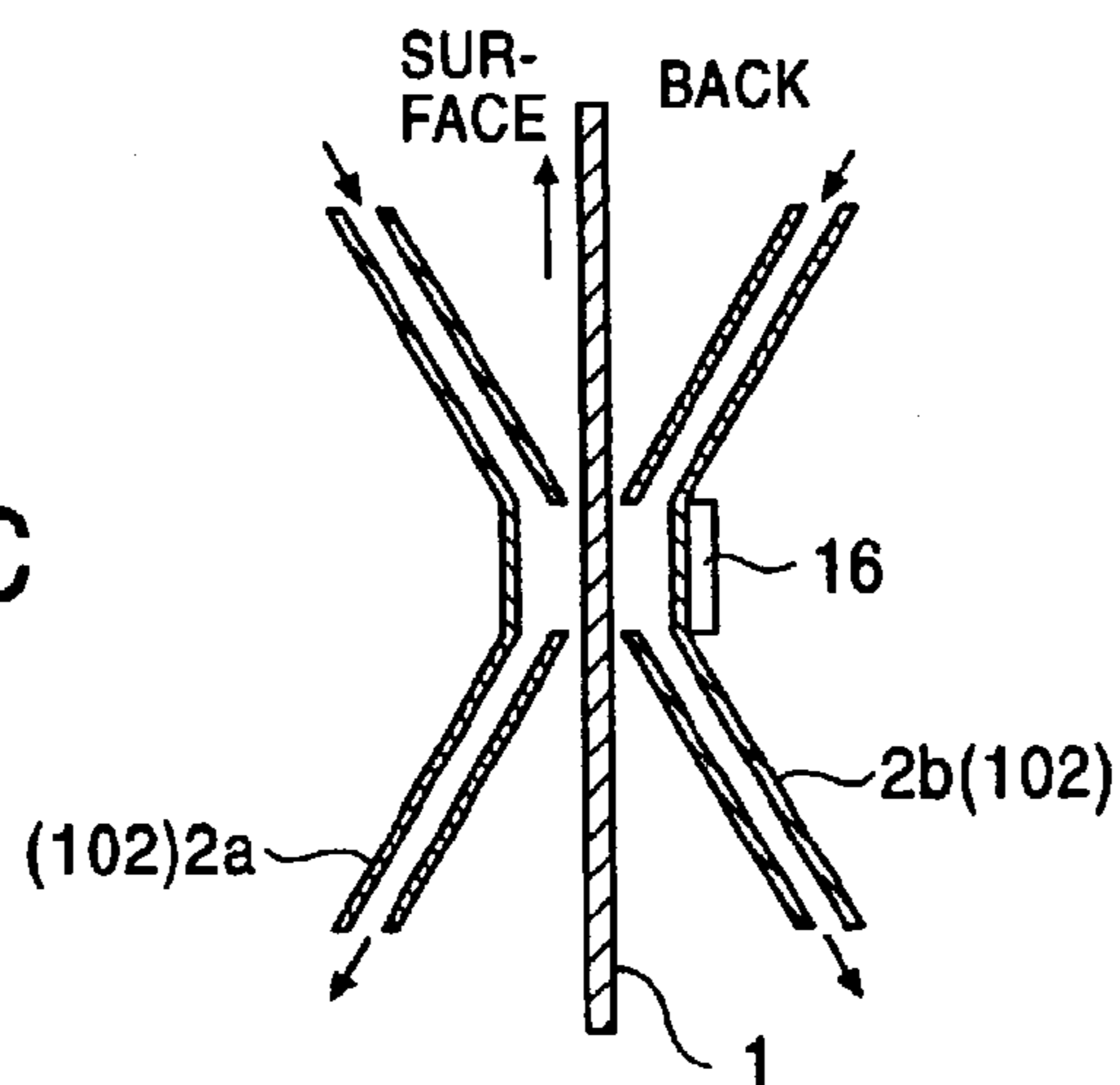


FIG. 15A

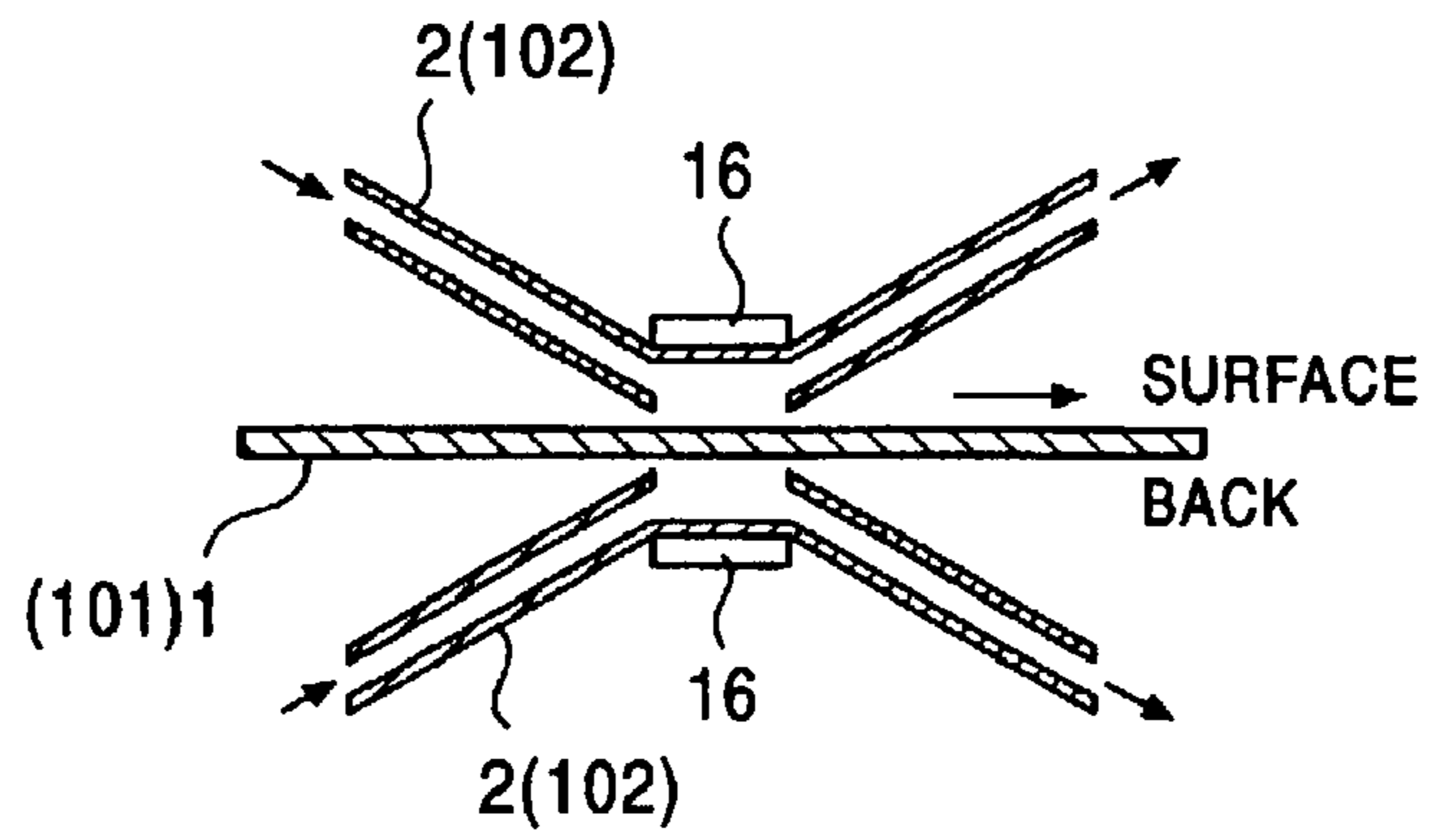


FIG. 15B

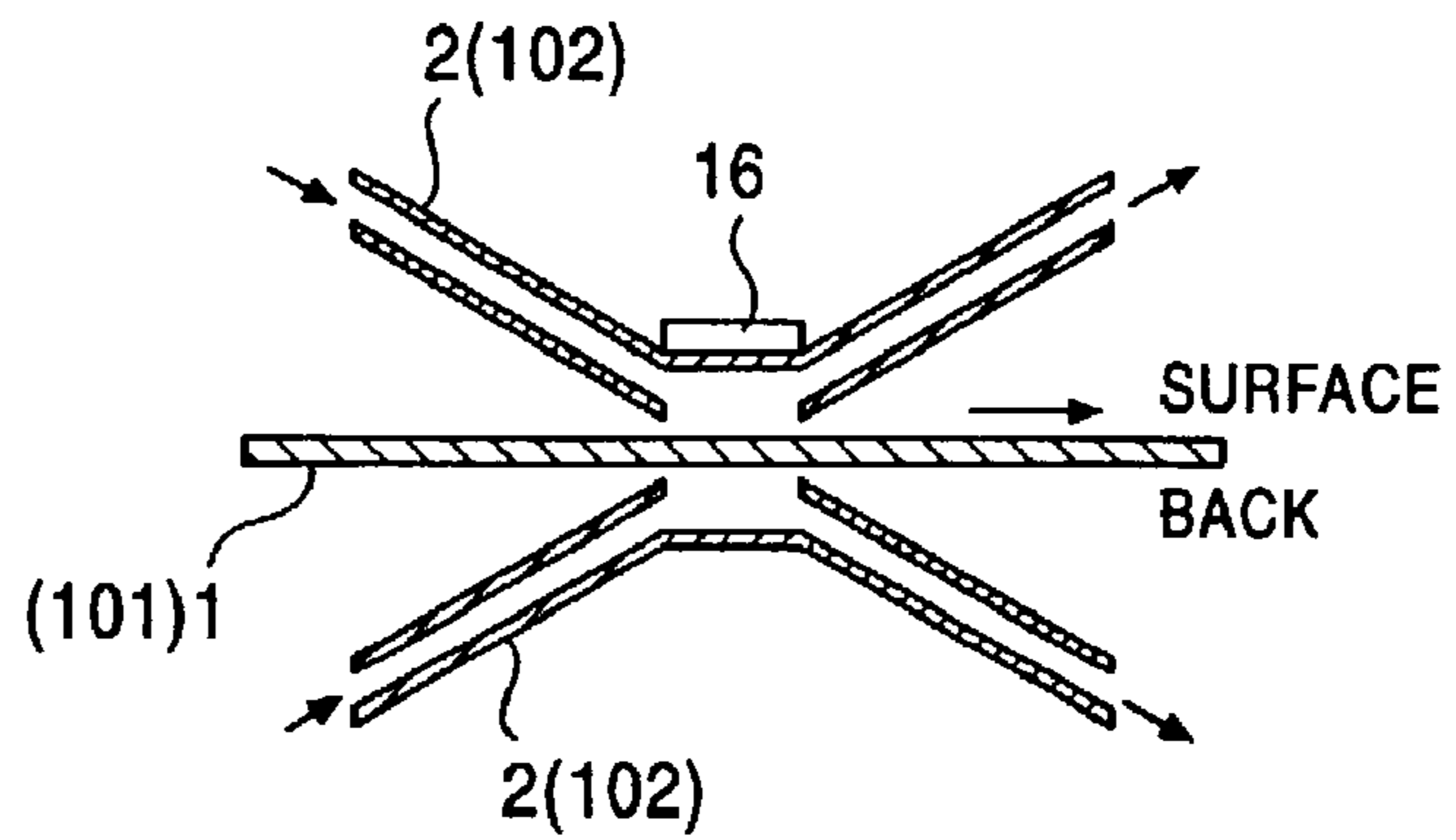


FIG. 15C

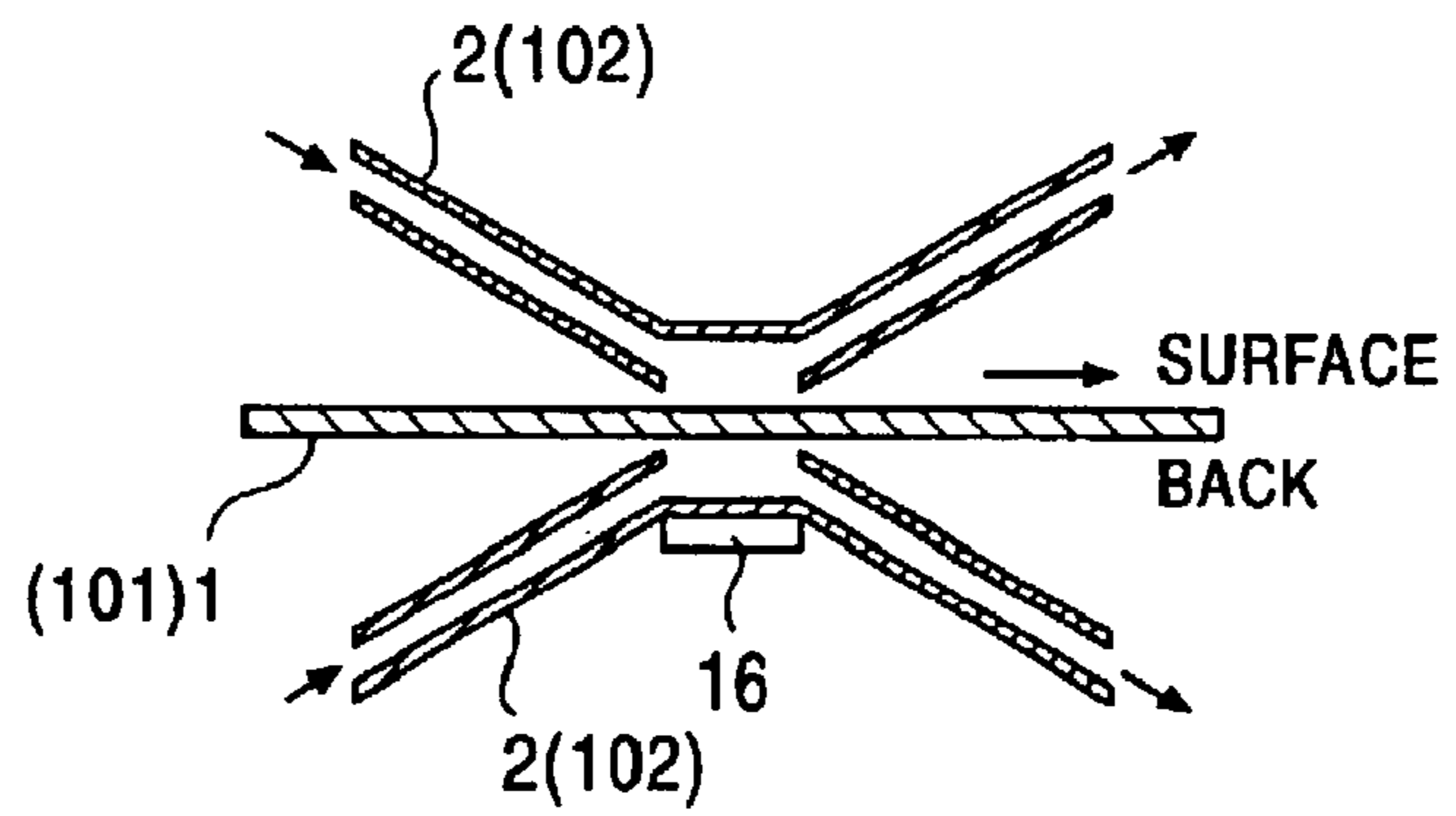


FIG. 16

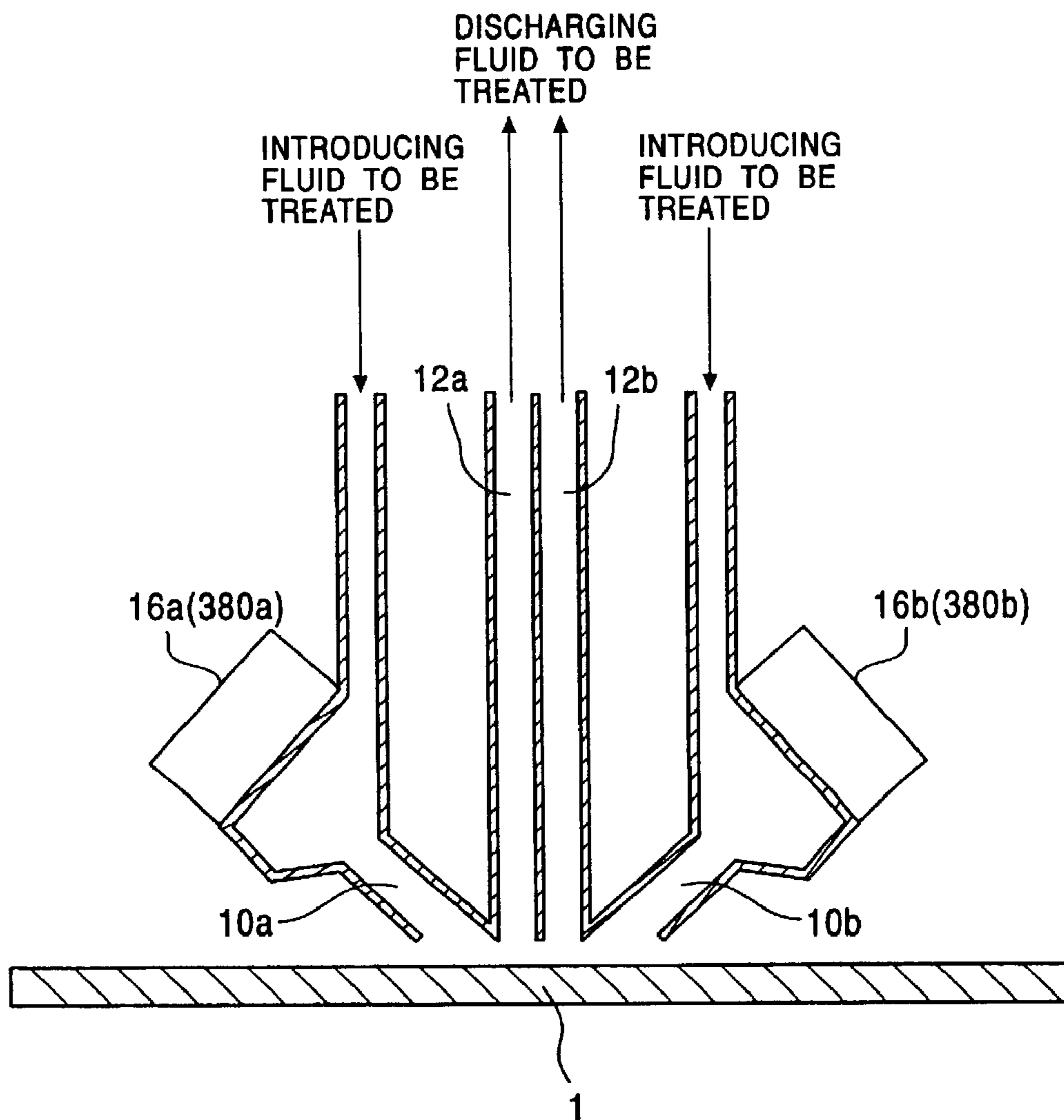


FIG. 17

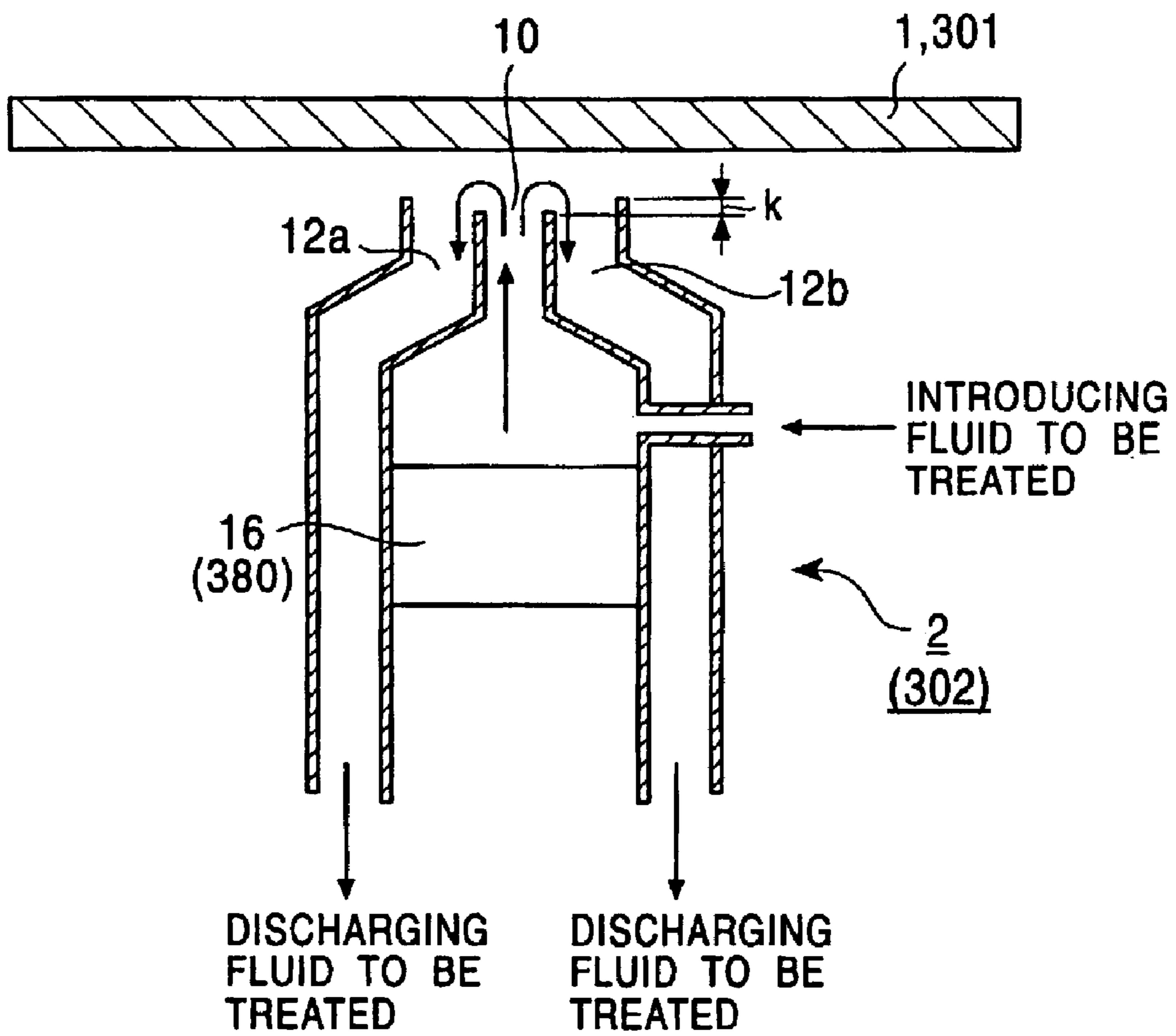


FIG. 18A

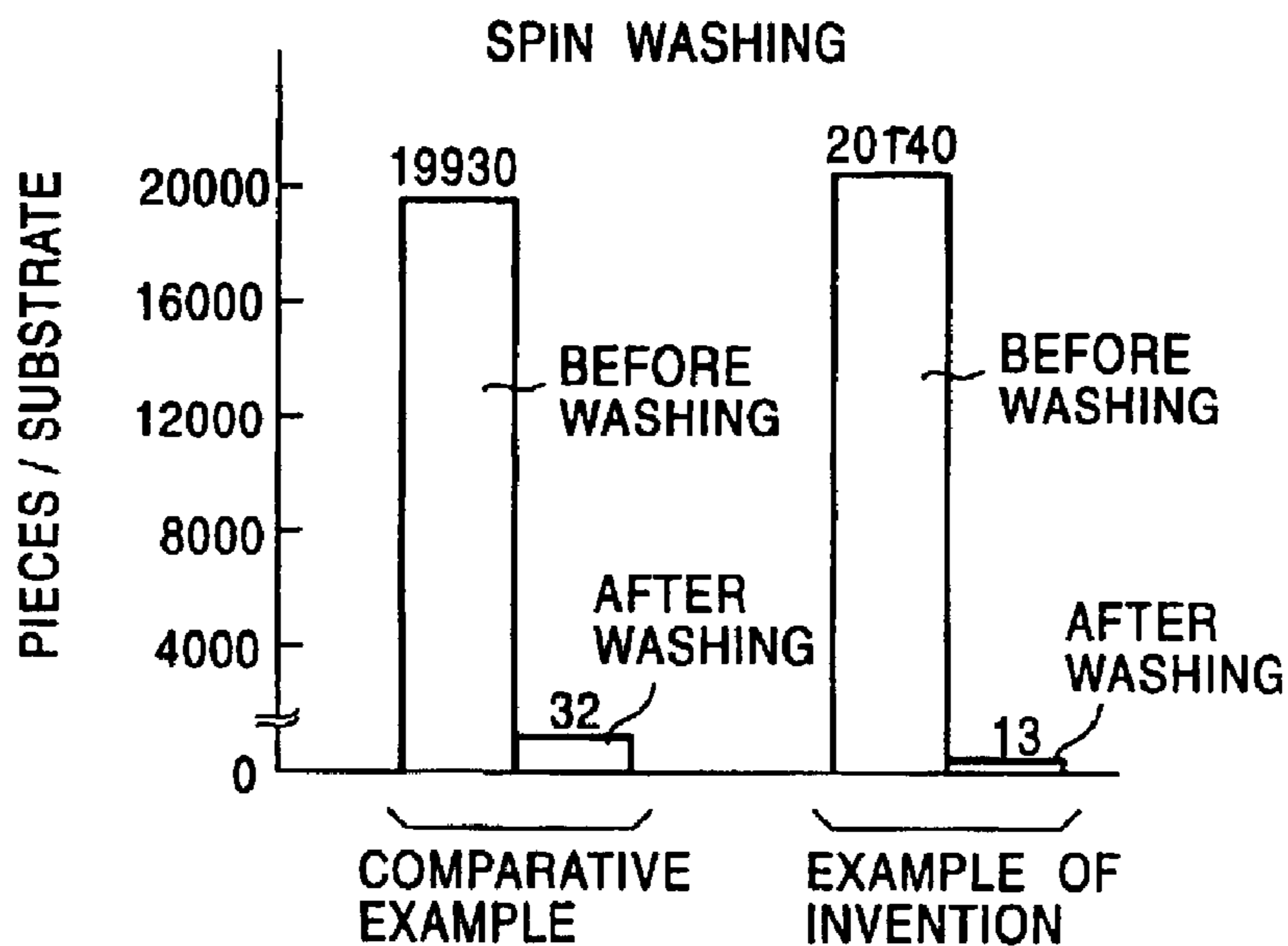


FIG. 18B

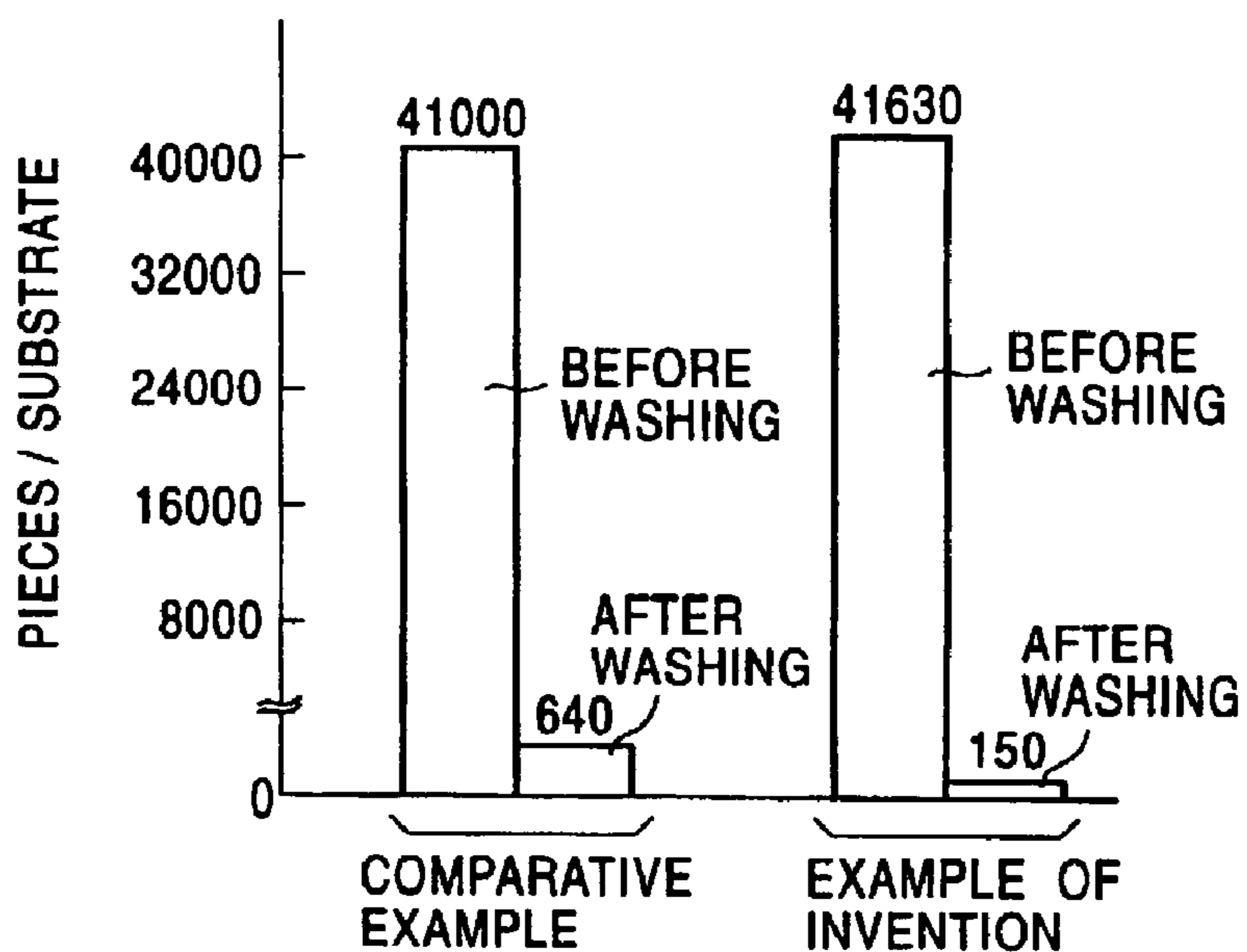


FIG. 19

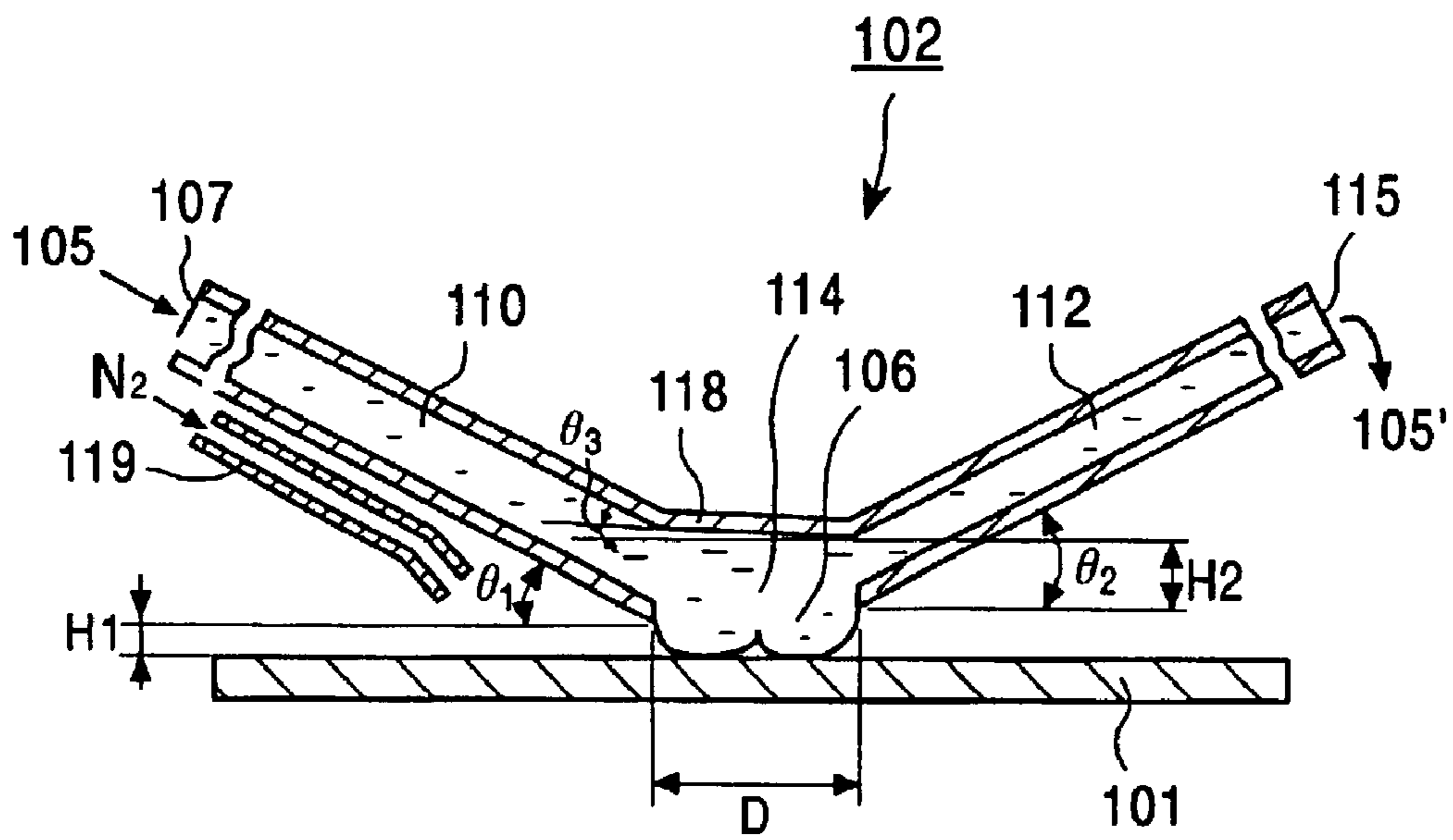


FIG. 20A

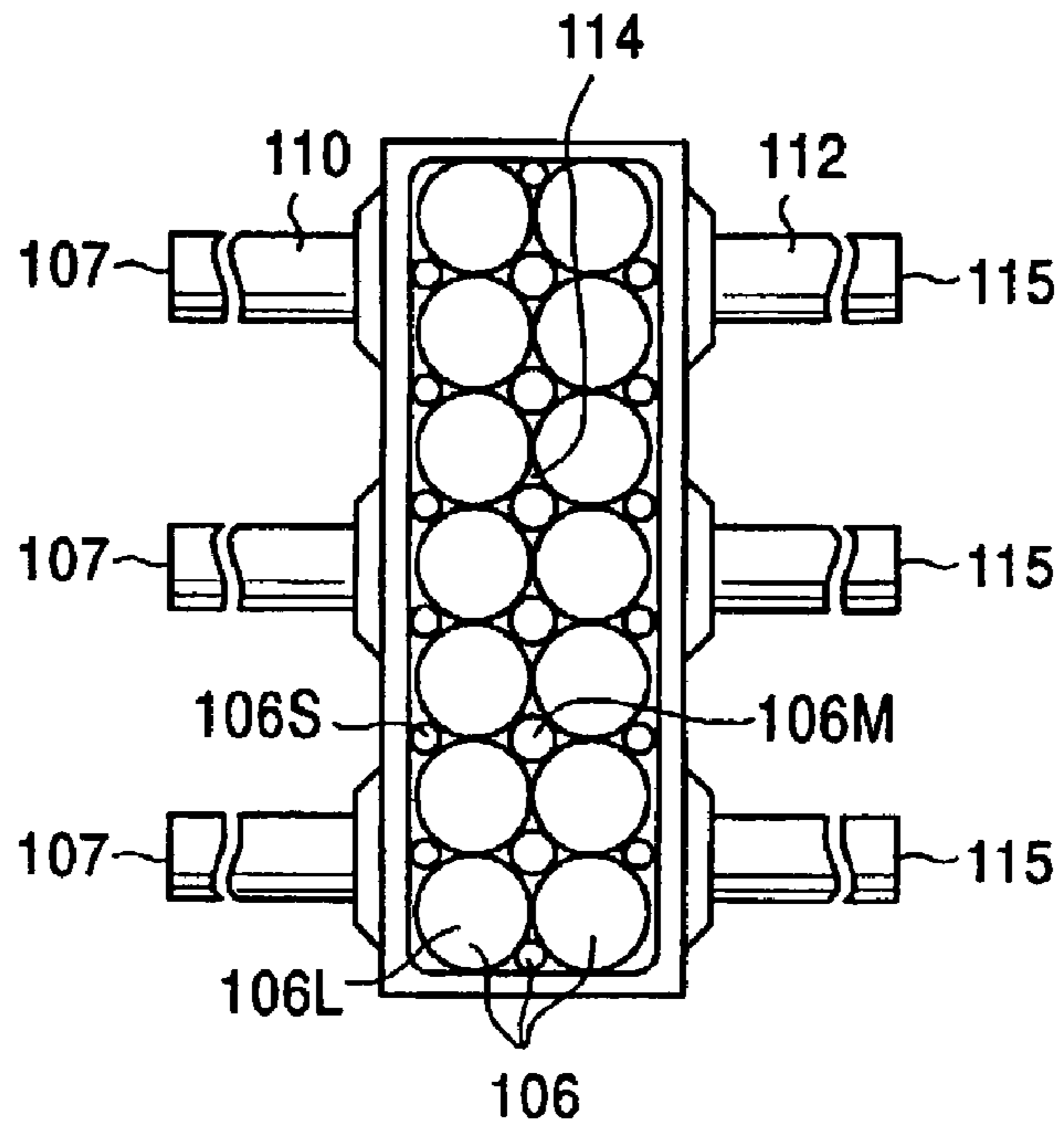


FIG. 20B

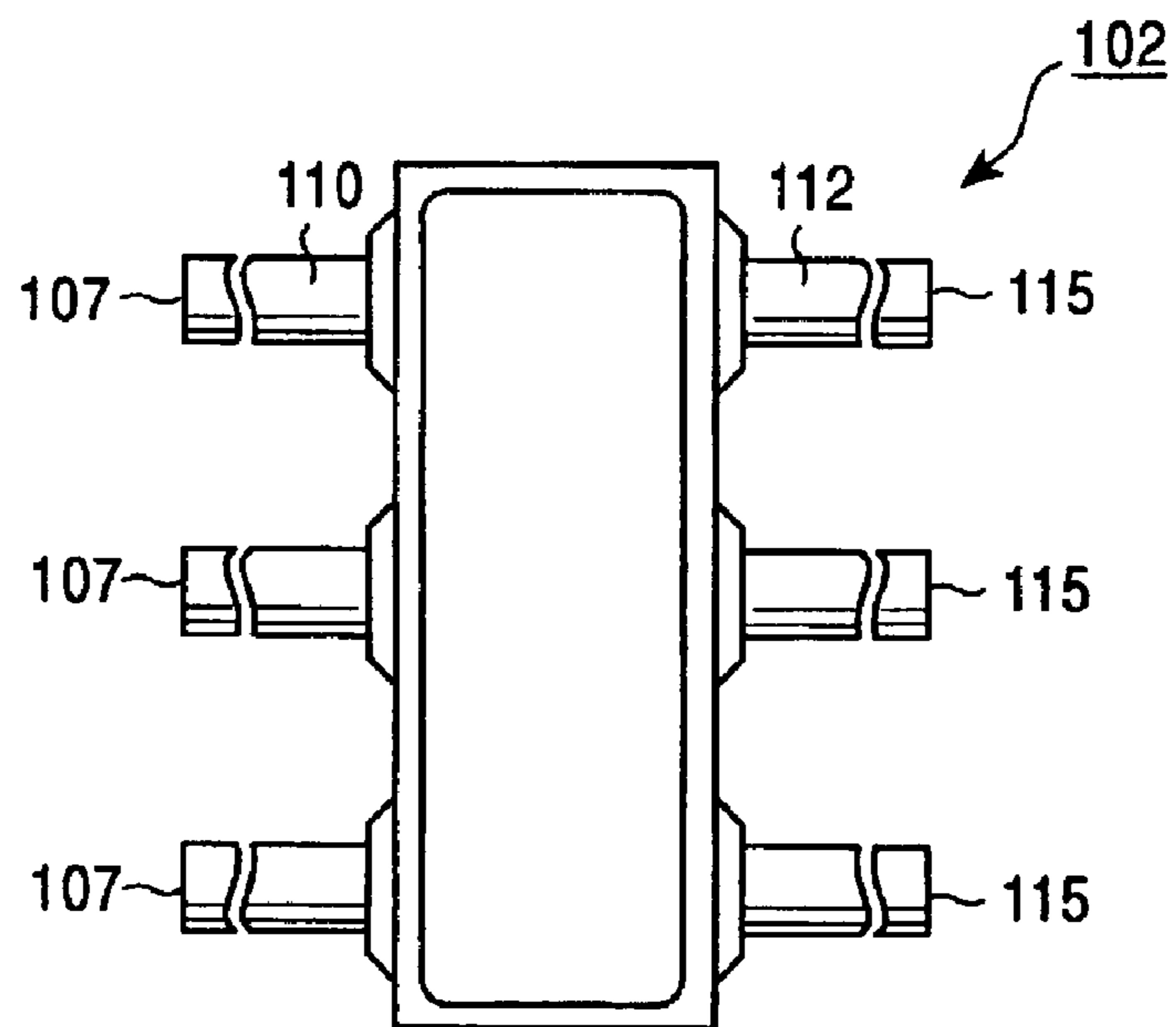


FIG. 21

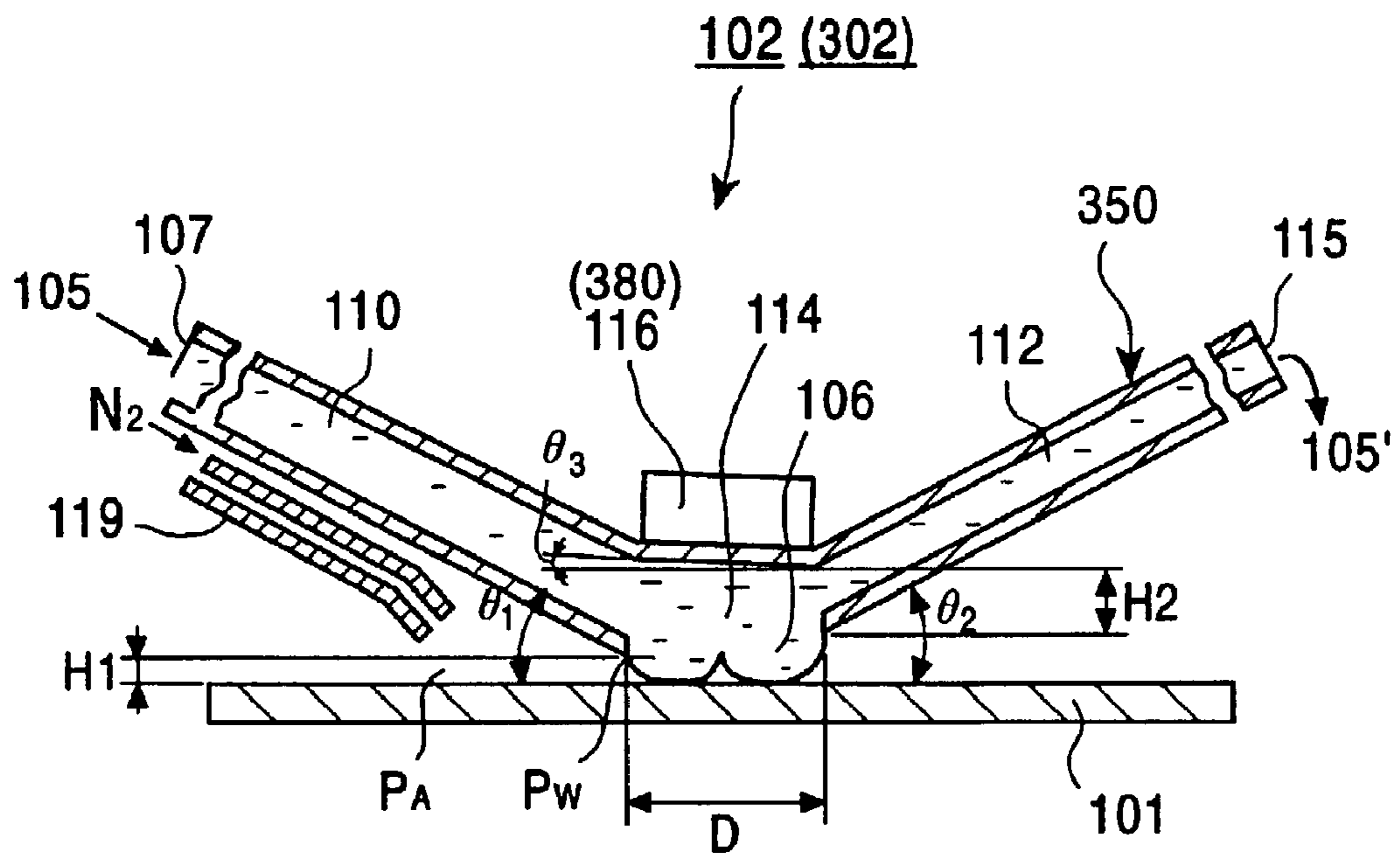


FIG. 22A

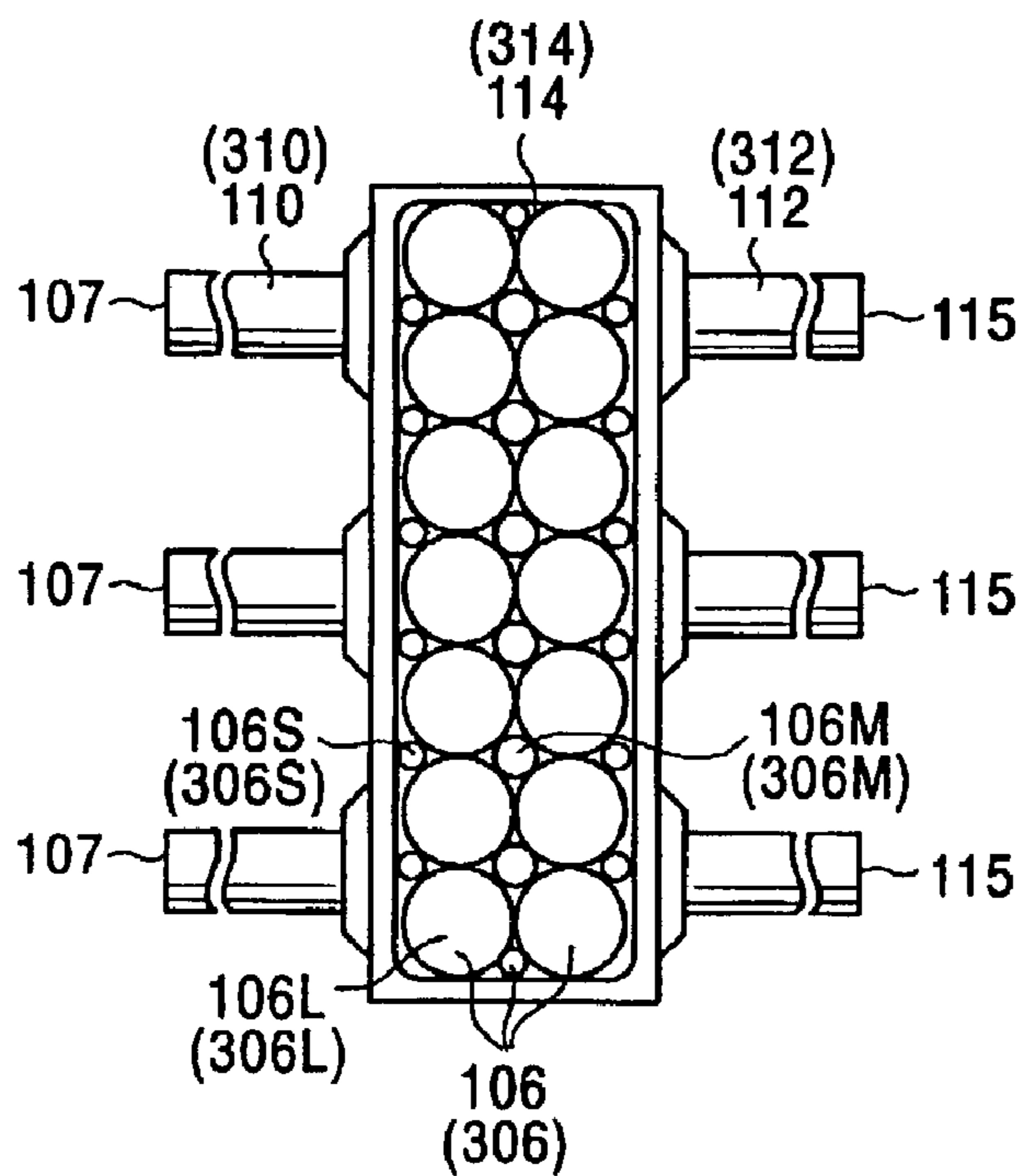


FIG. 22B

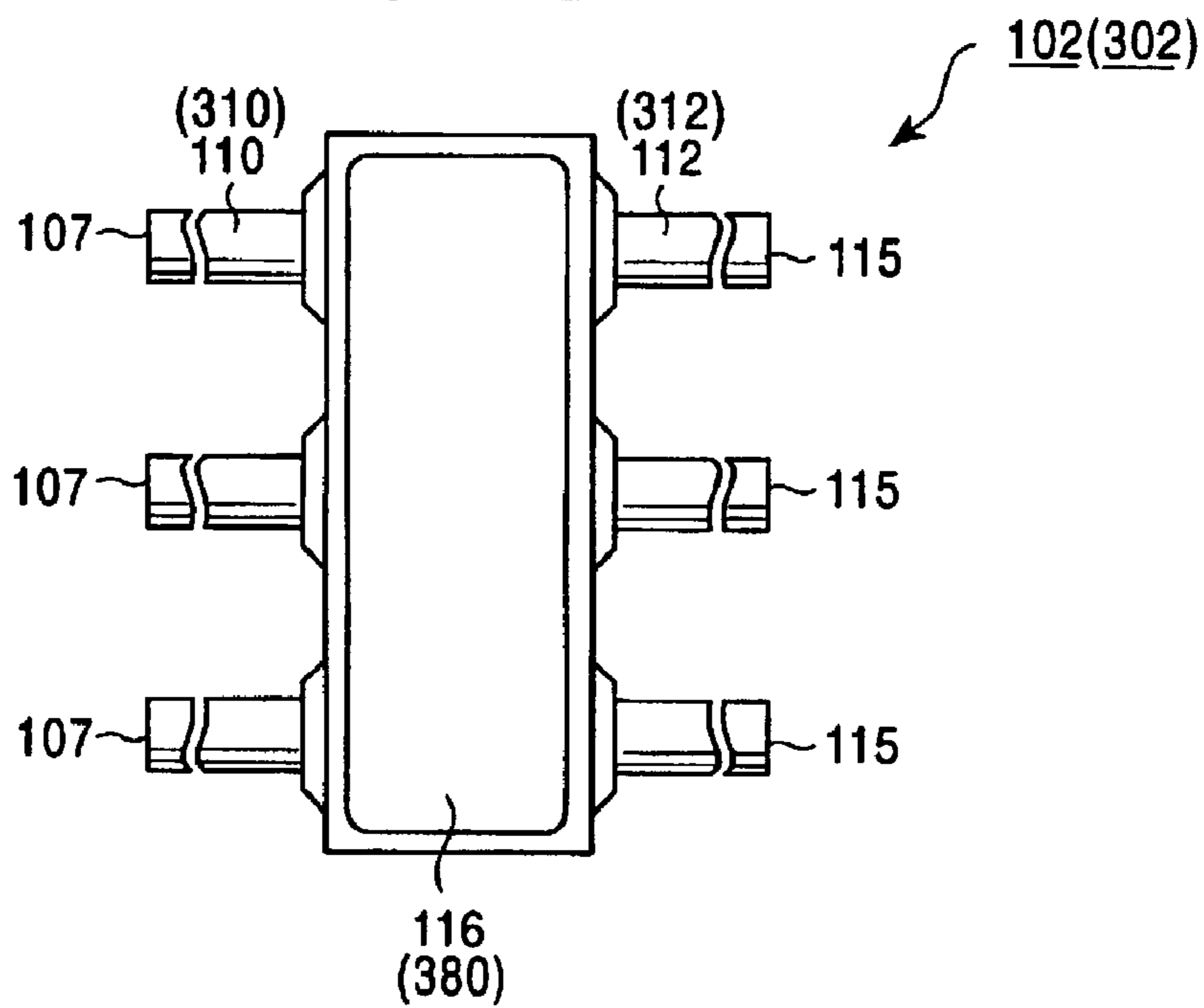


FIG. 23A

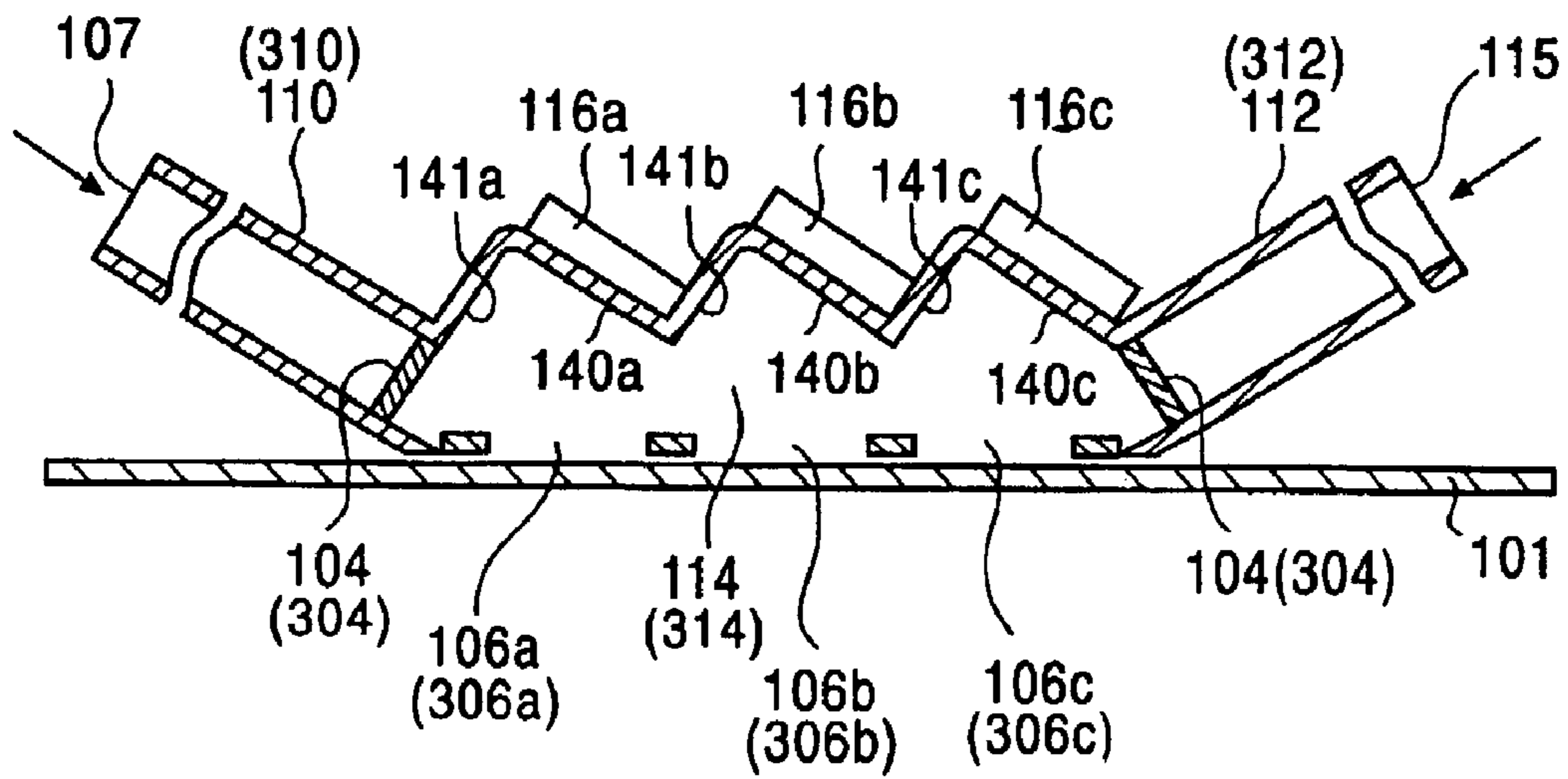


FIG. 23B

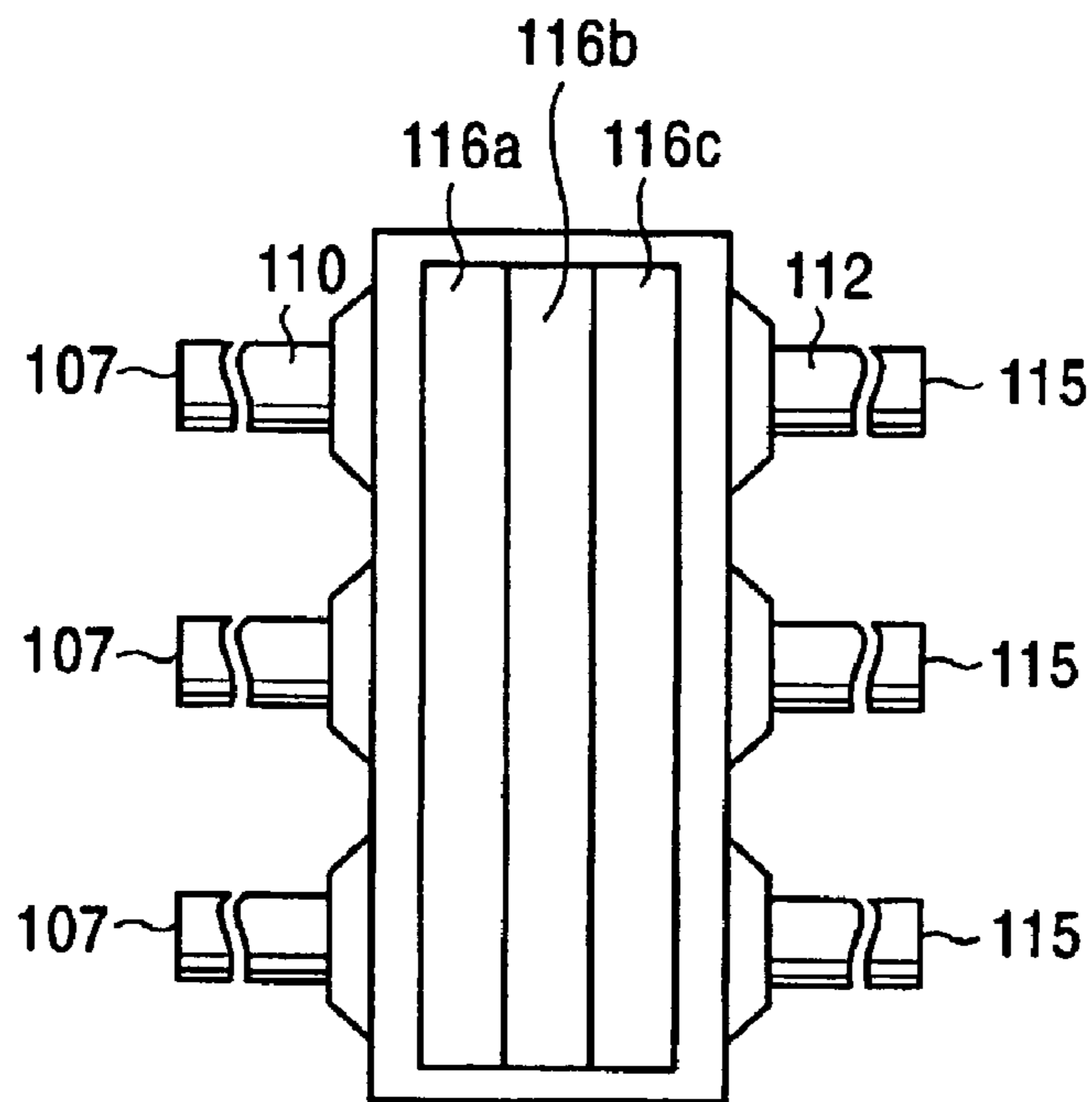


FIG. 24A

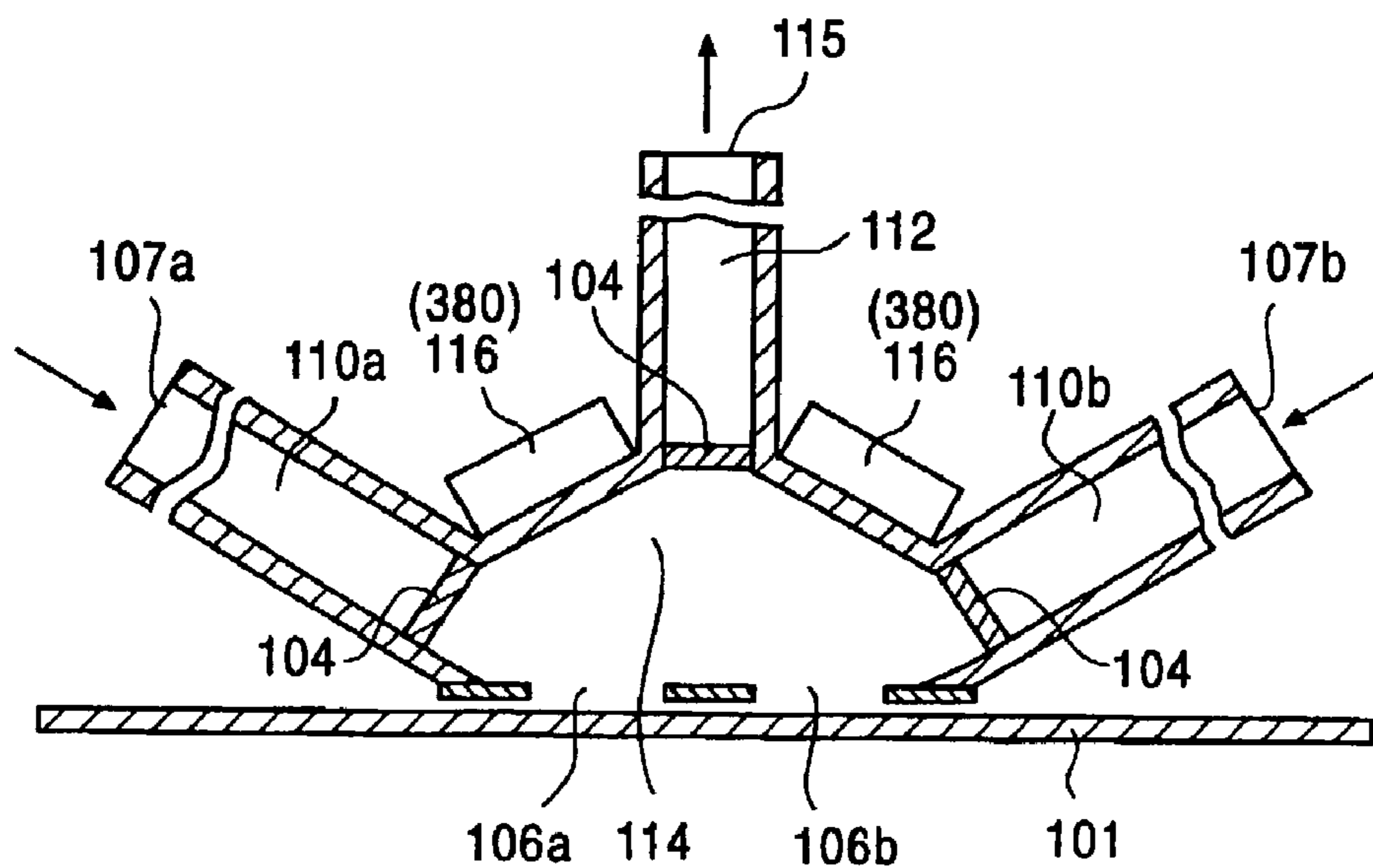


FIG. 24B

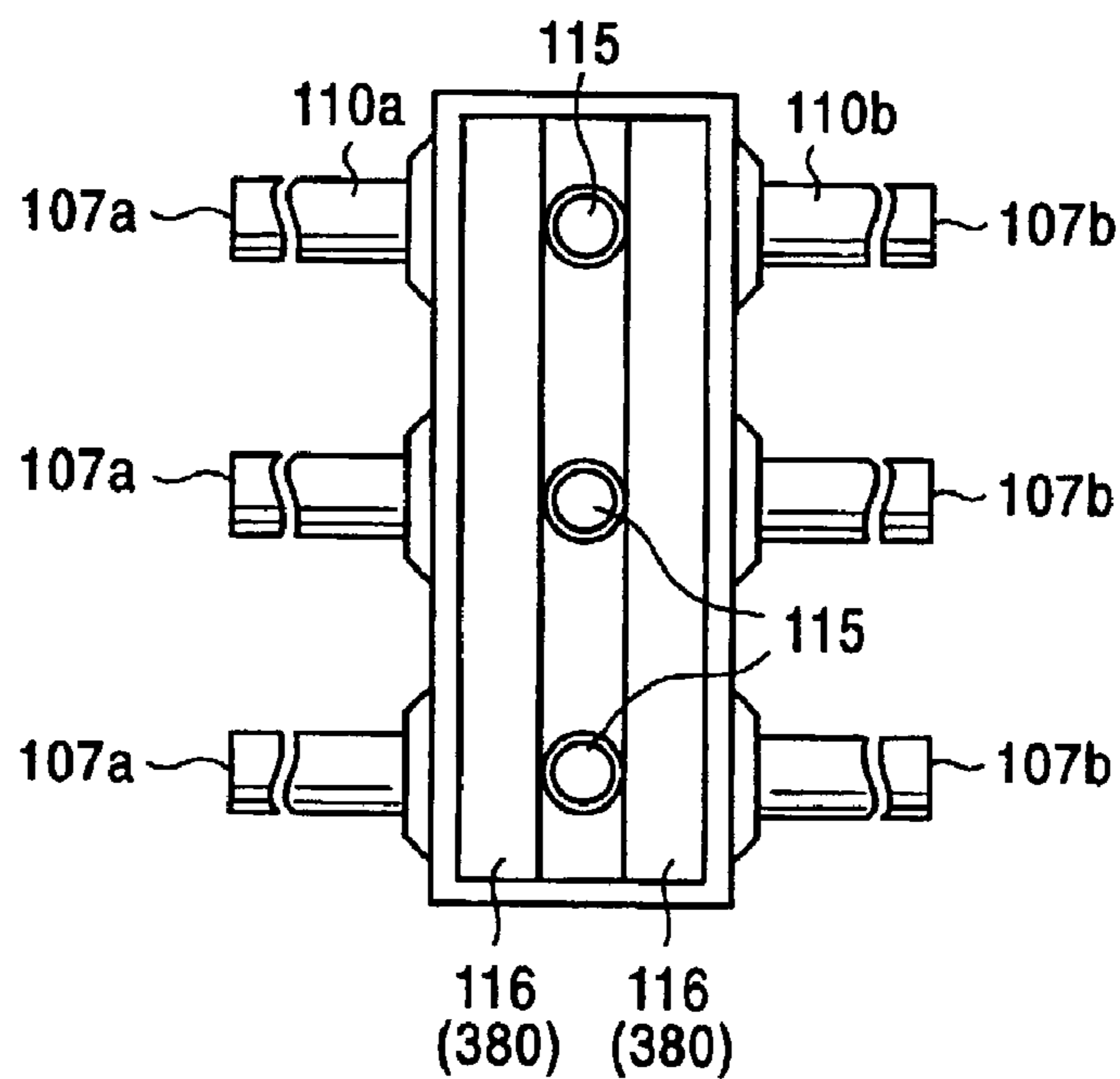


FIG. 25A

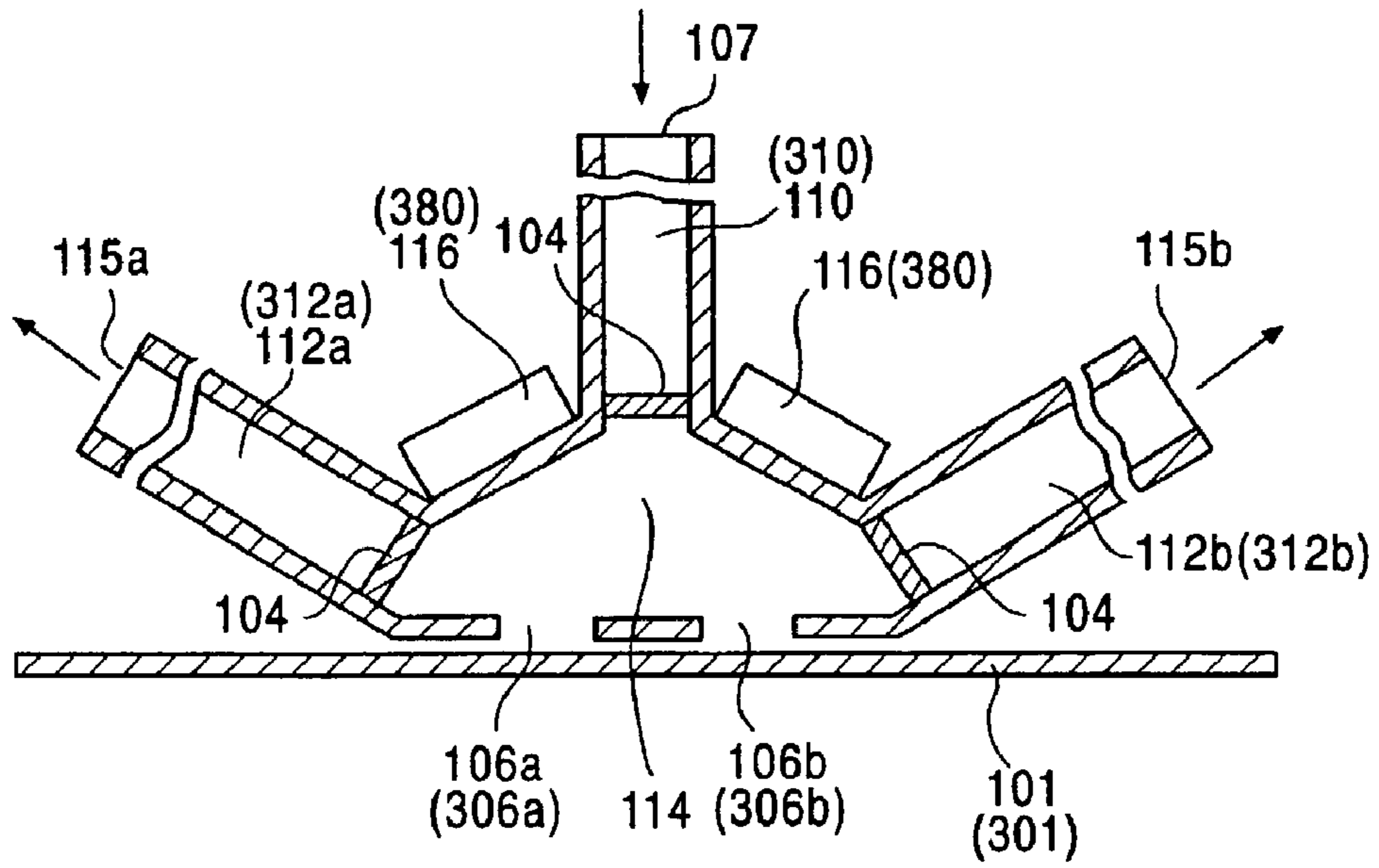


FIG. 25B

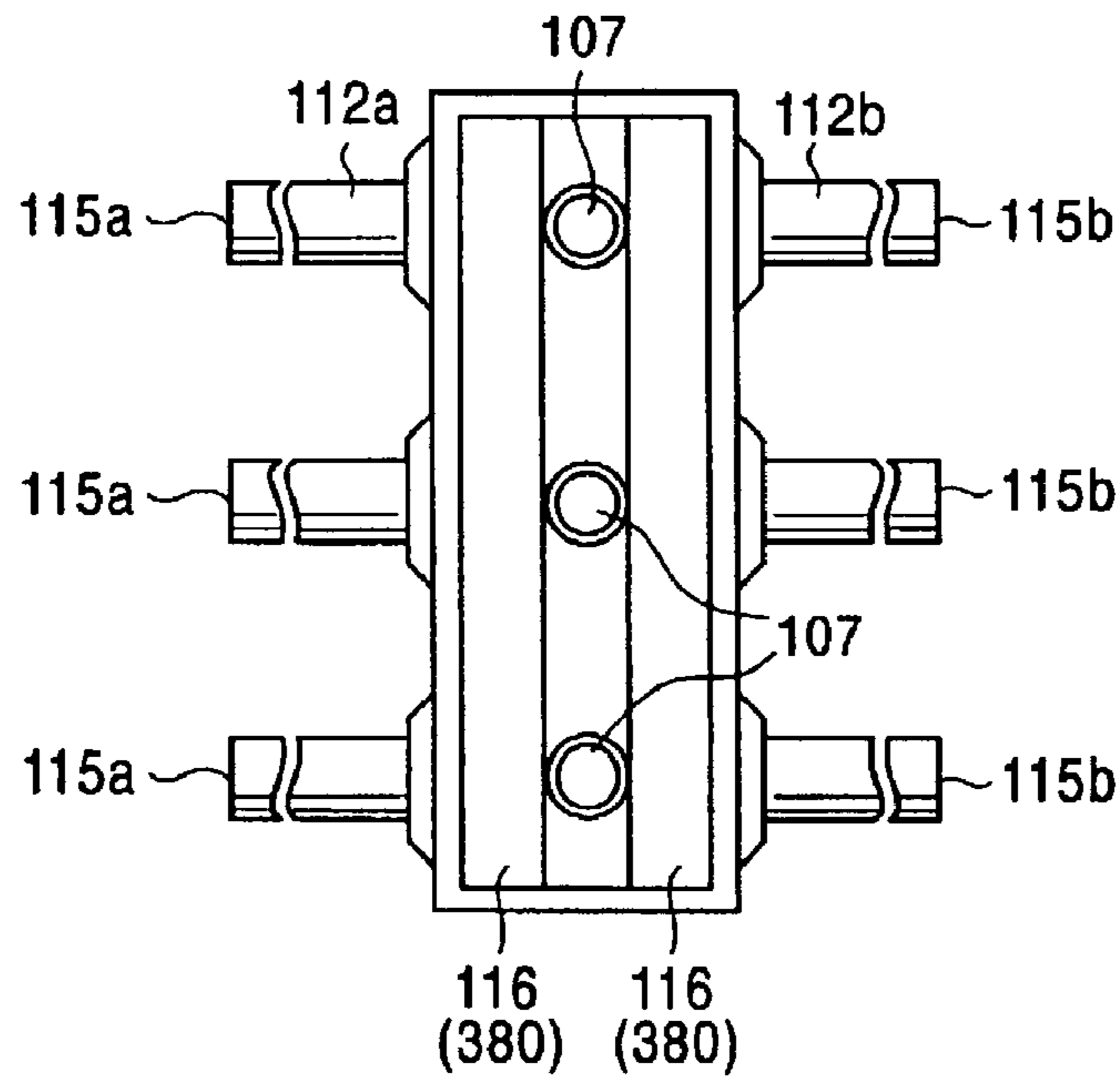


FIG. 26

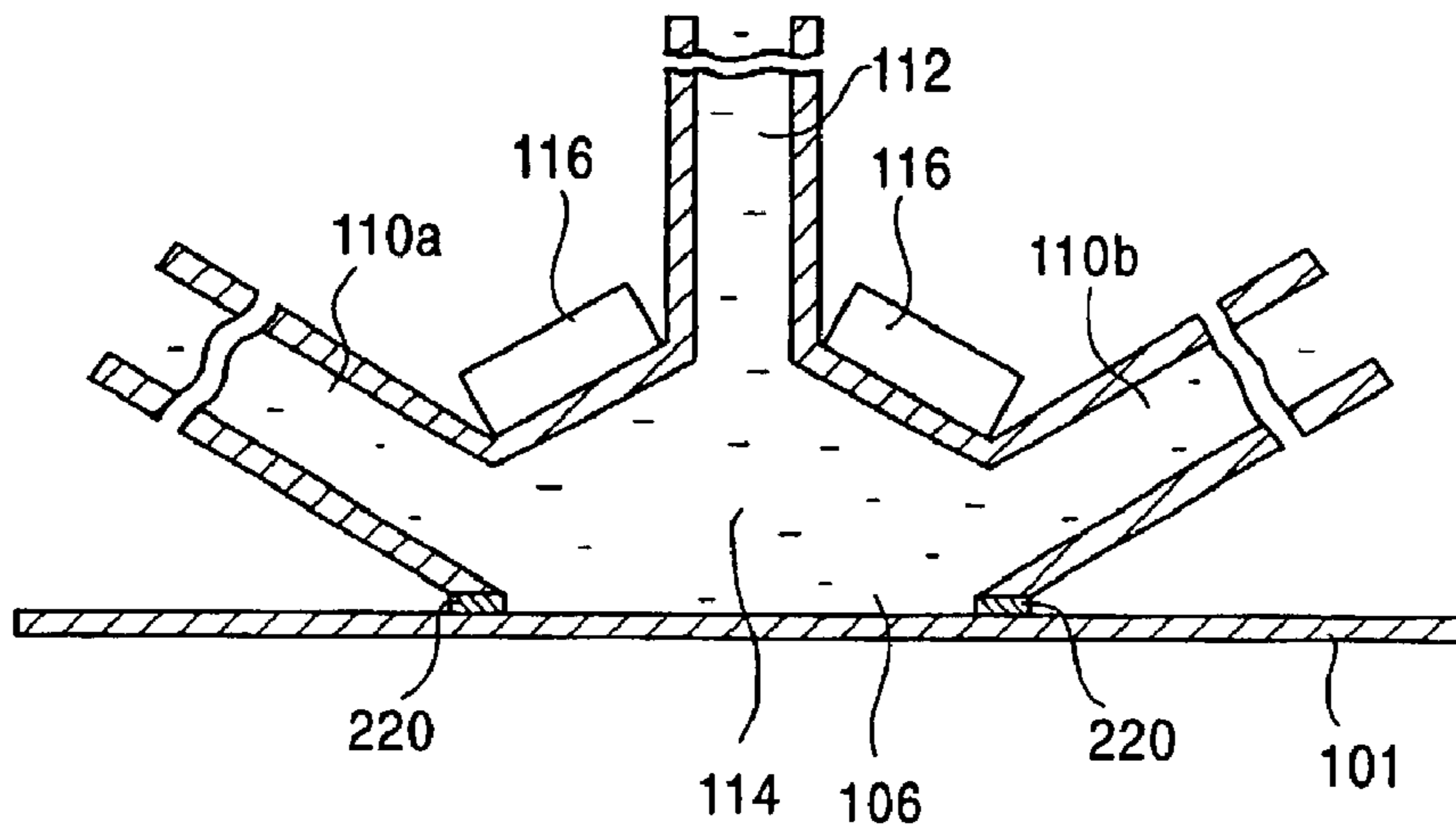


FIG. 27

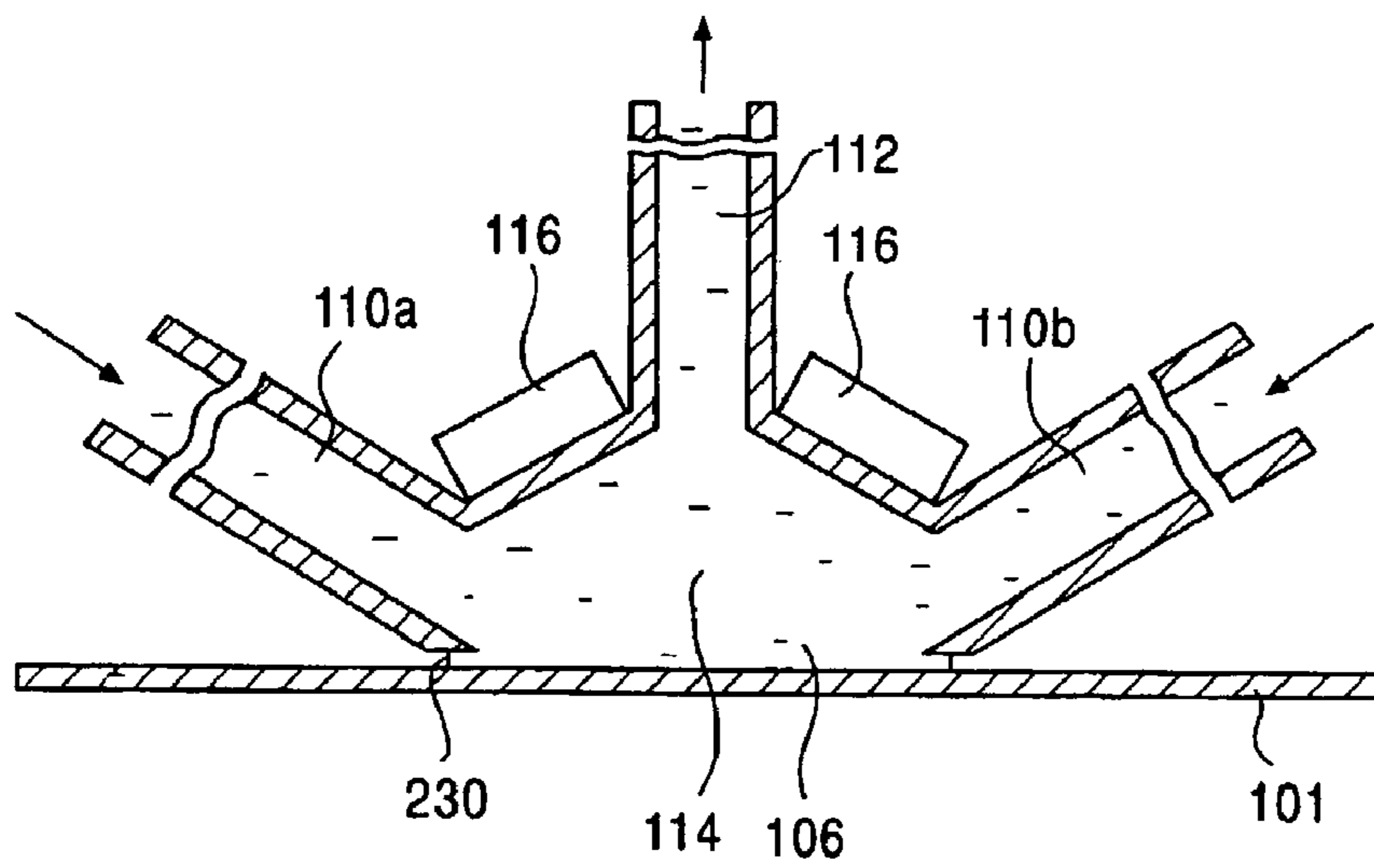


FIG. 28A

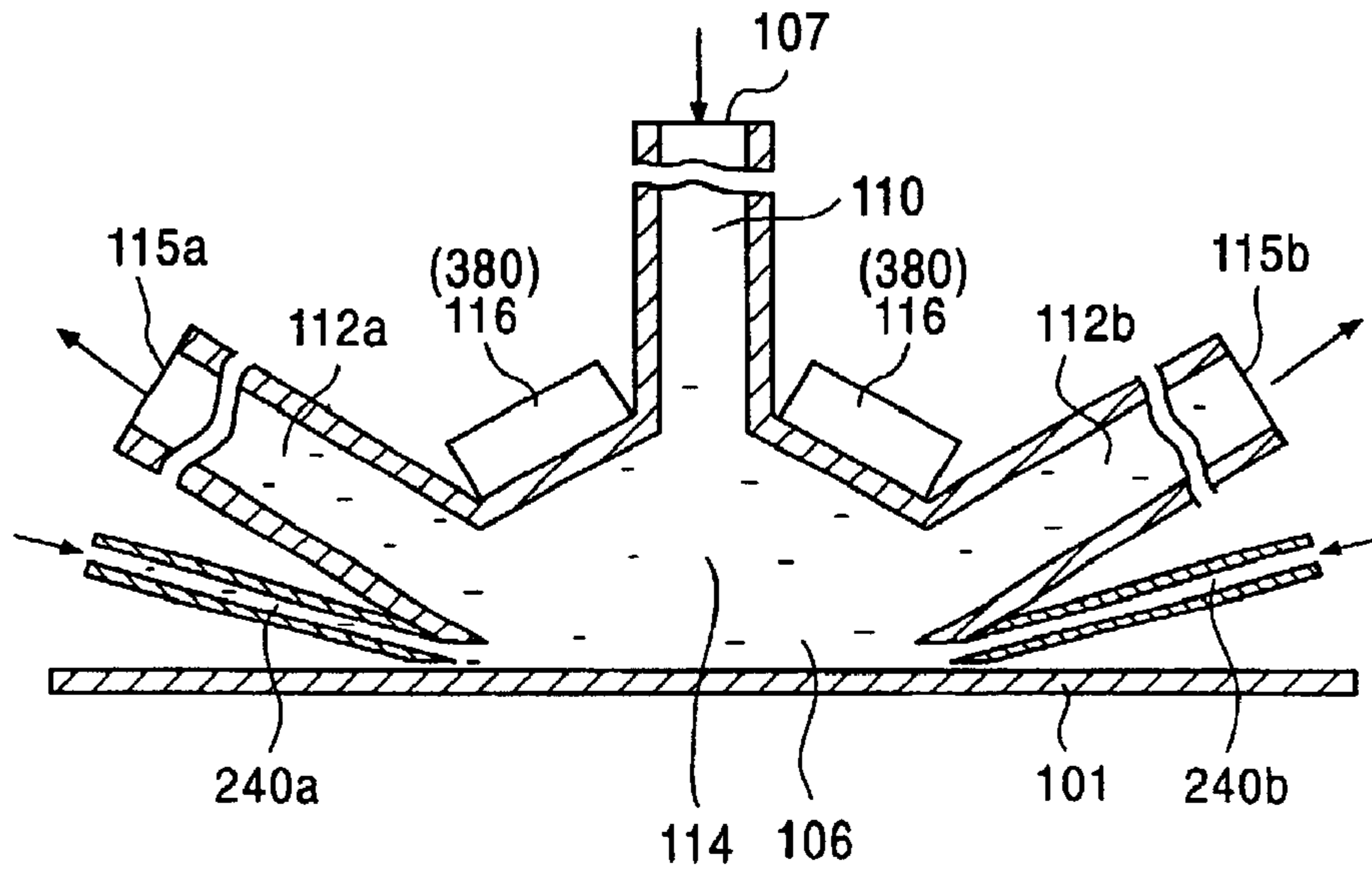


FIG. 28B

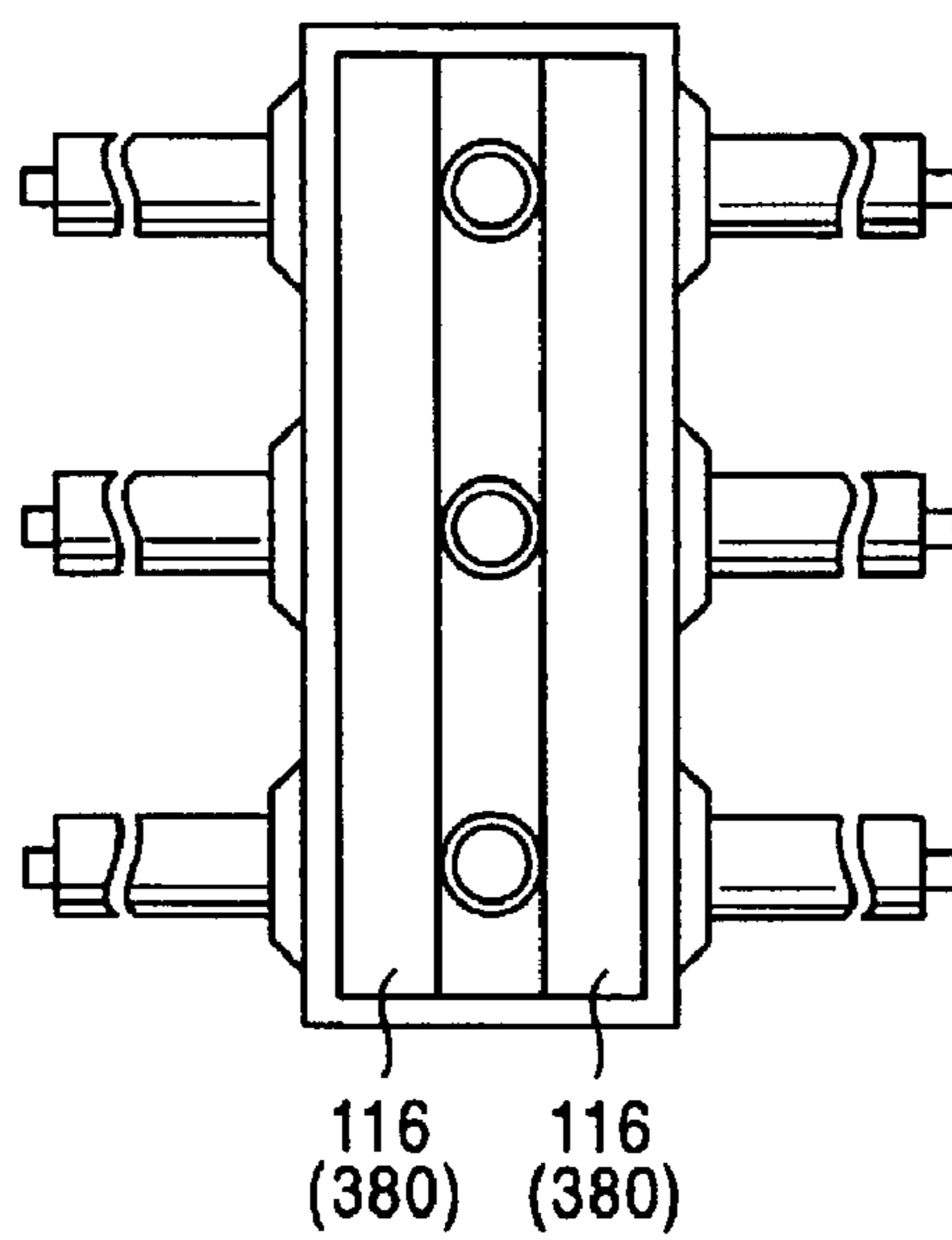


FIG. 29A

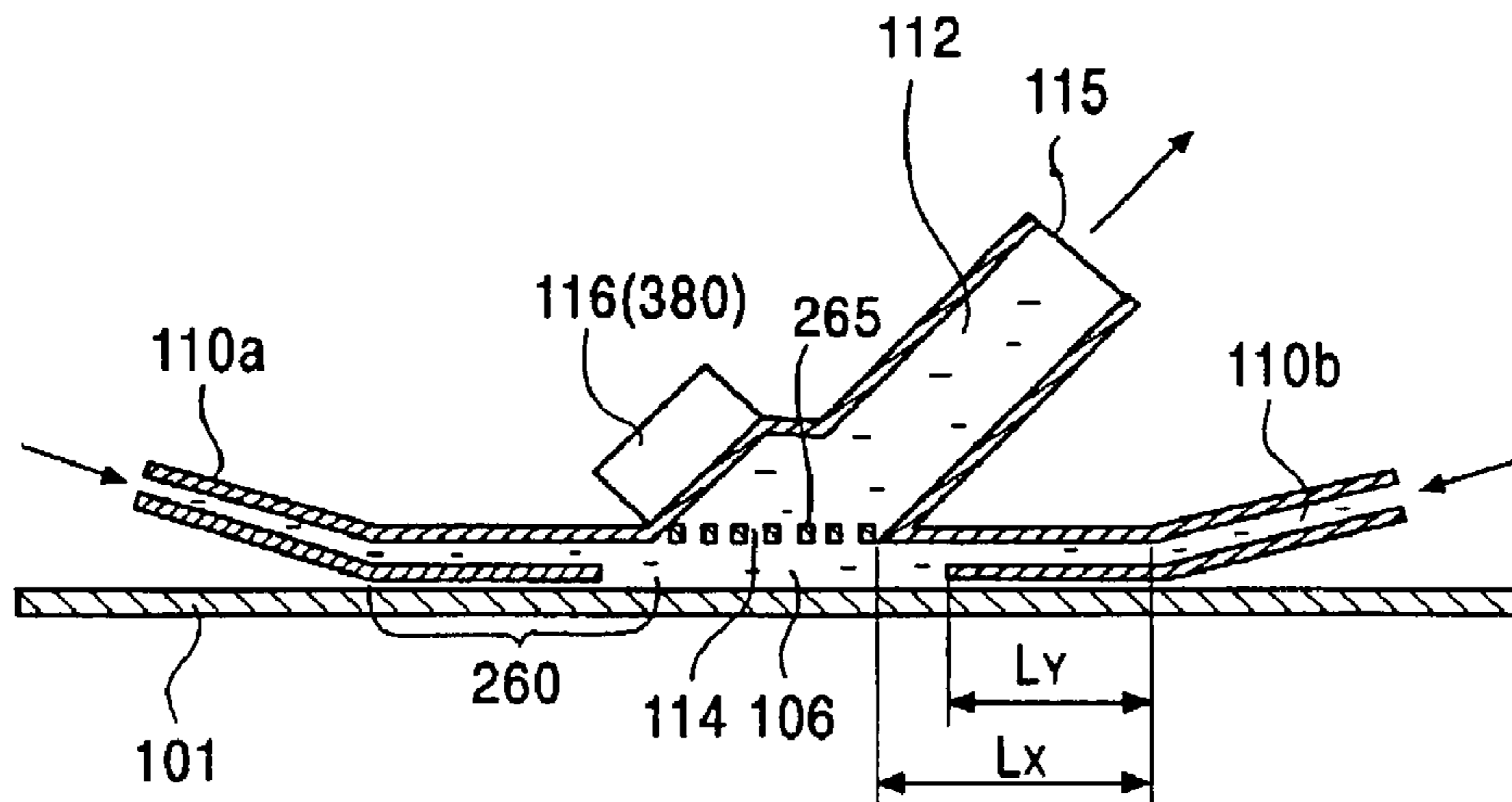


FIG. 29B

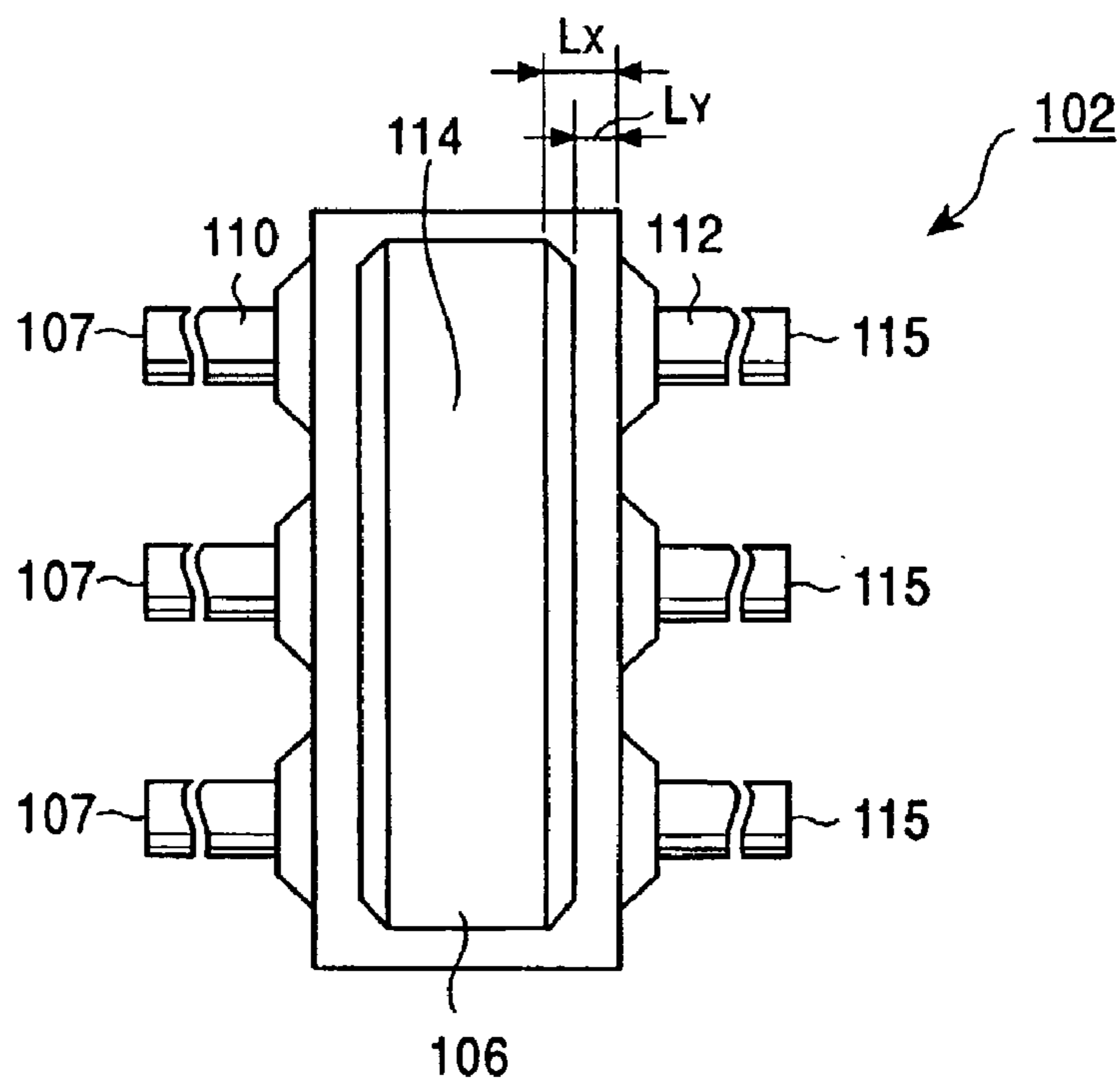


FIG. 30A

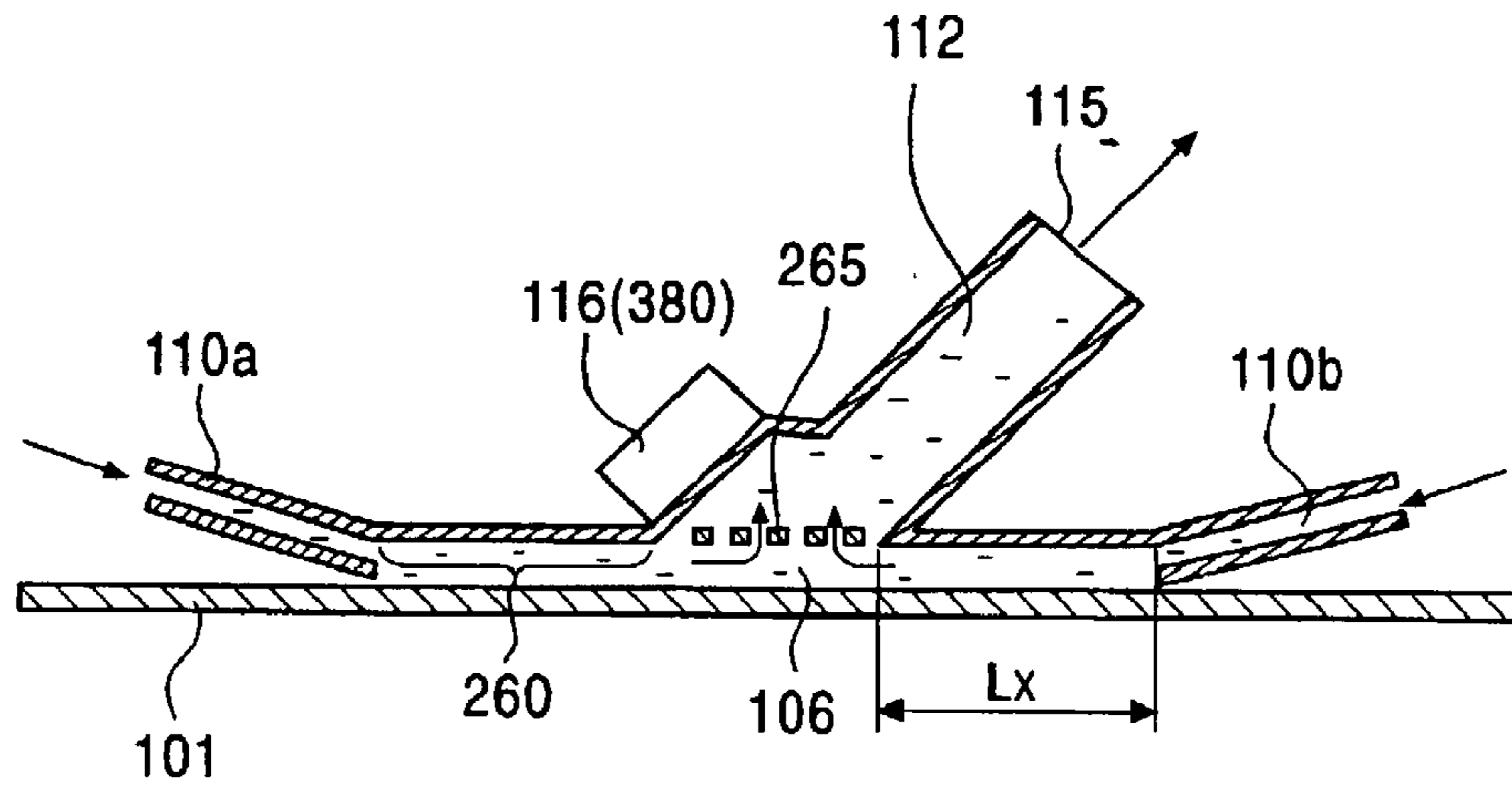


FIG. 30B

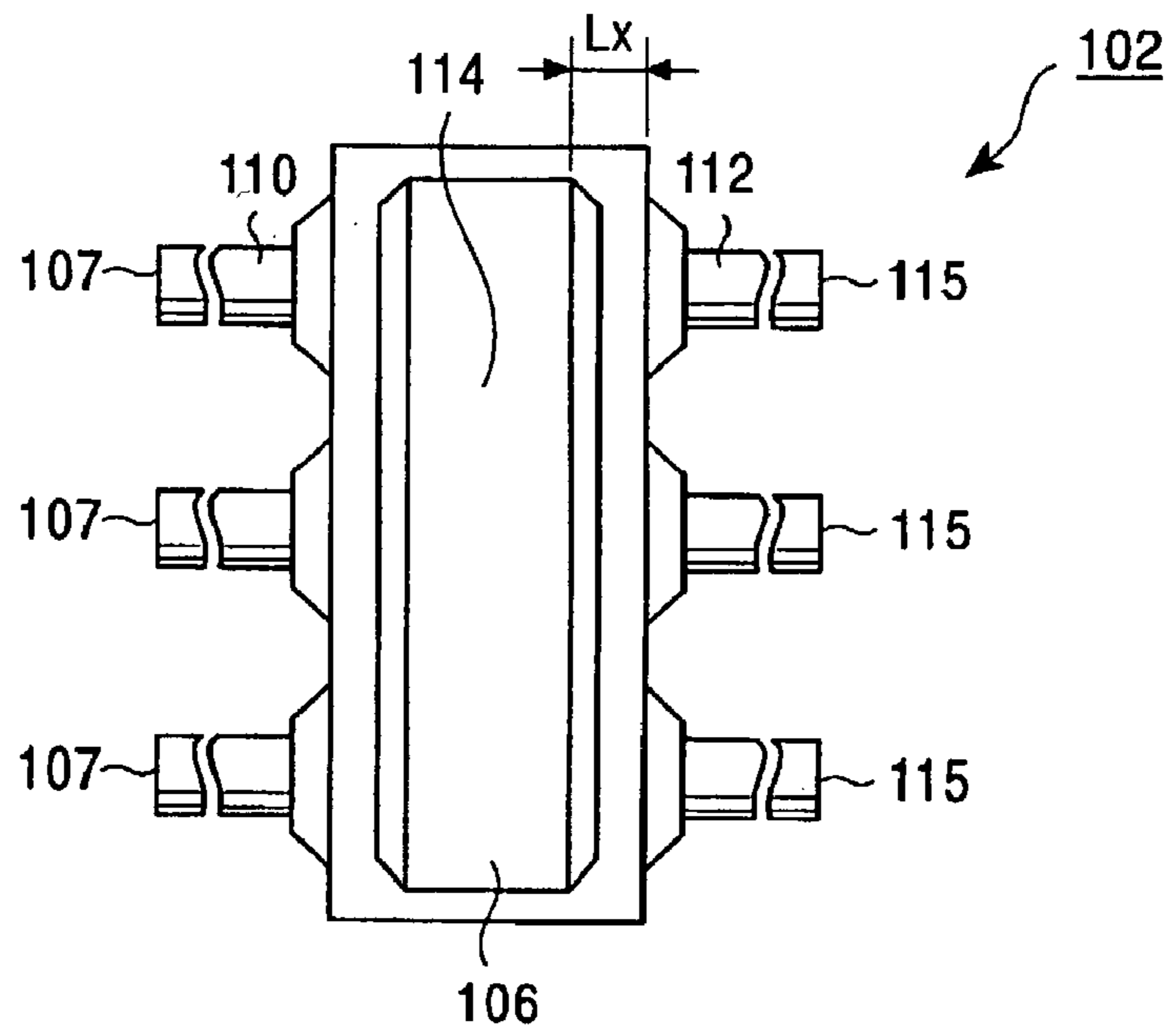


FIG. 31A

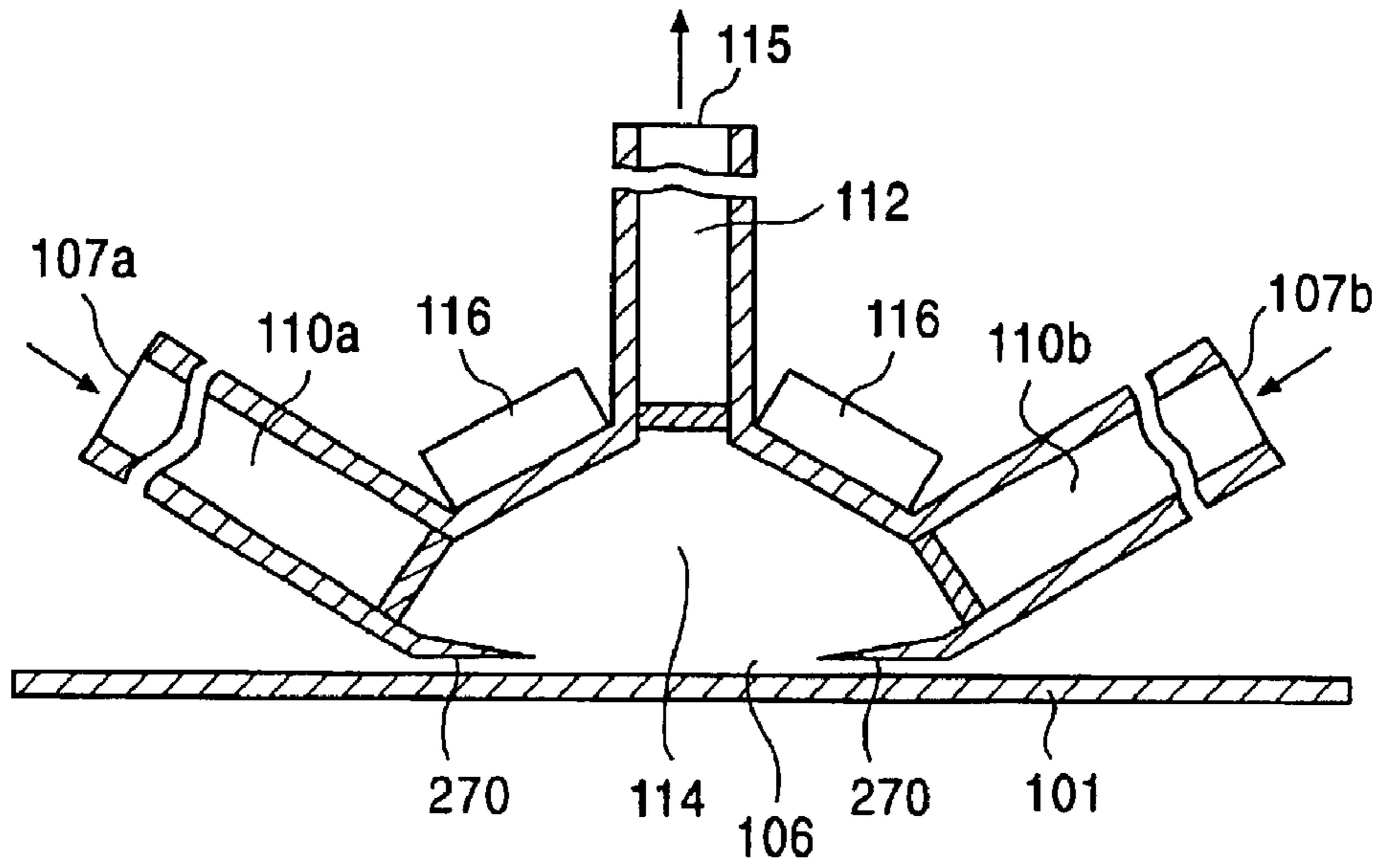


FIG. 31B

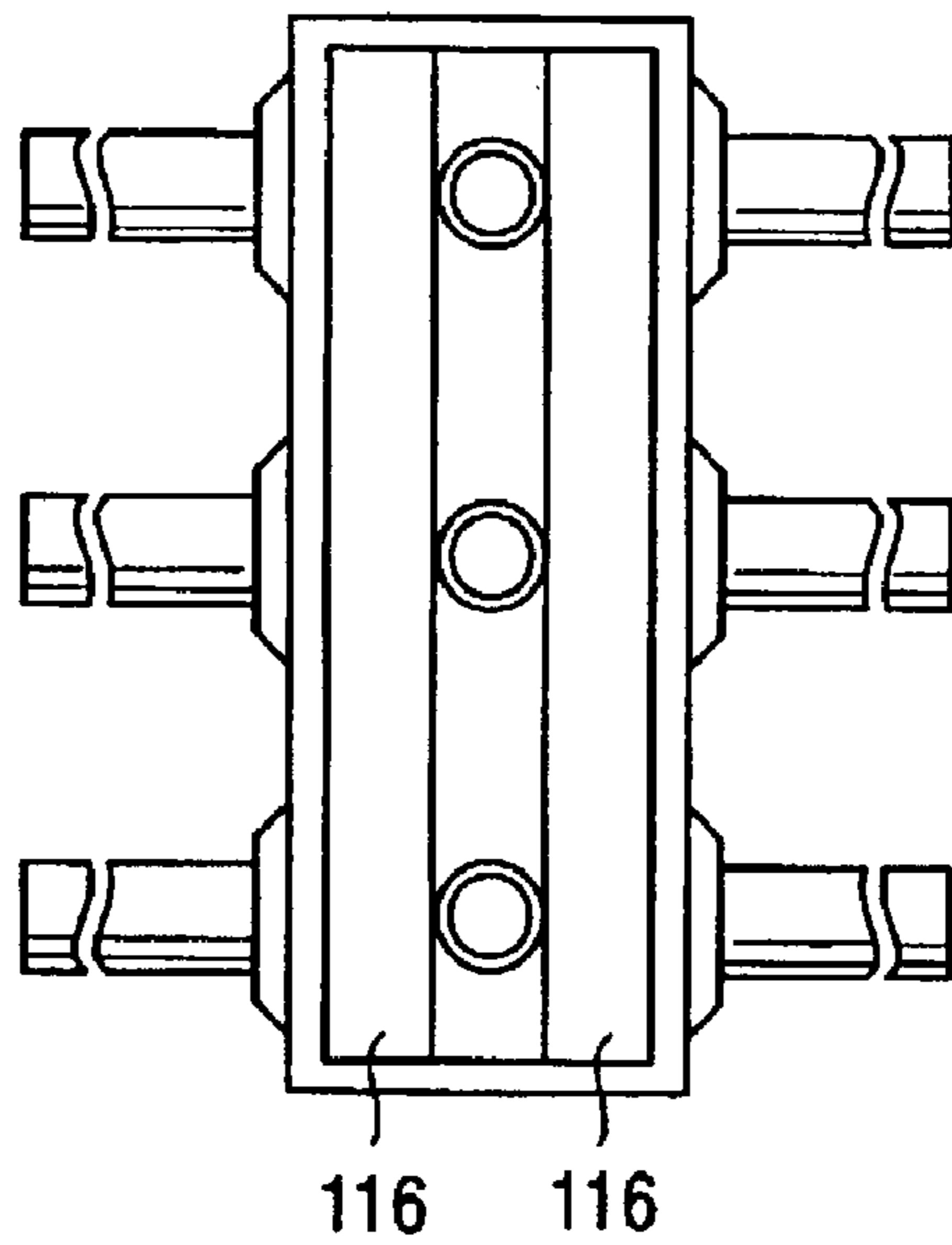


FIG. 32

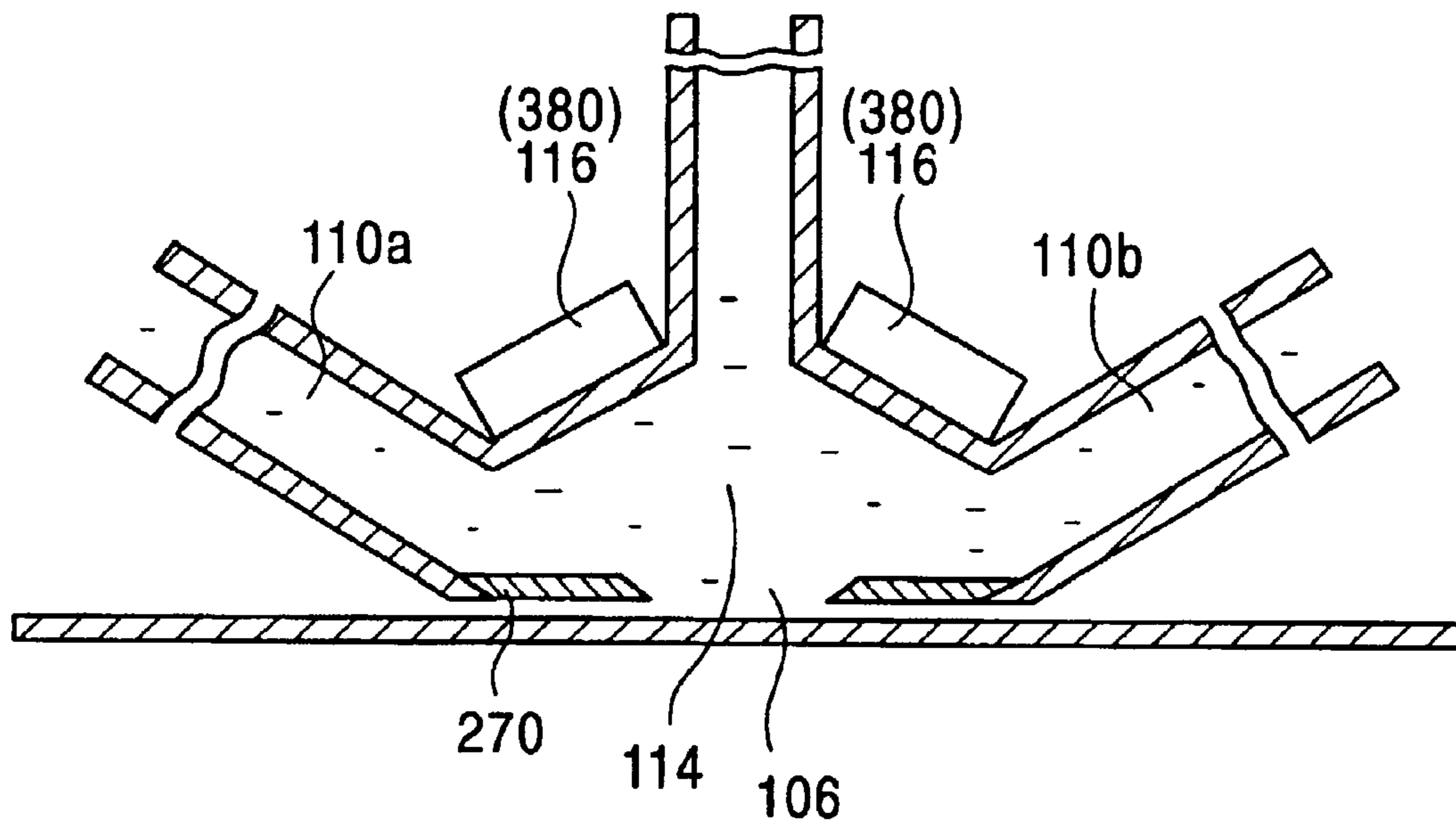


FIG. 33A

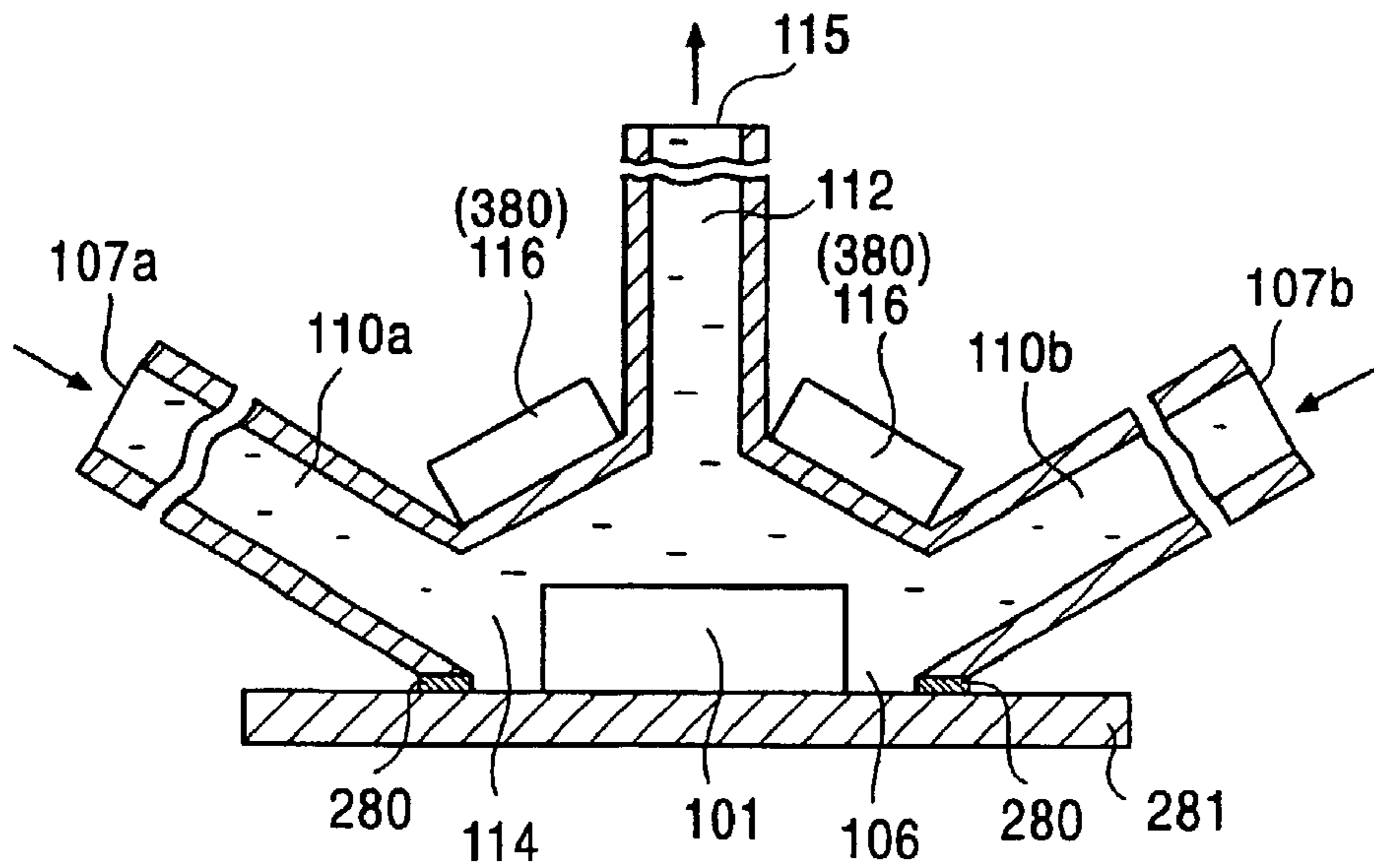


FIG. 33B

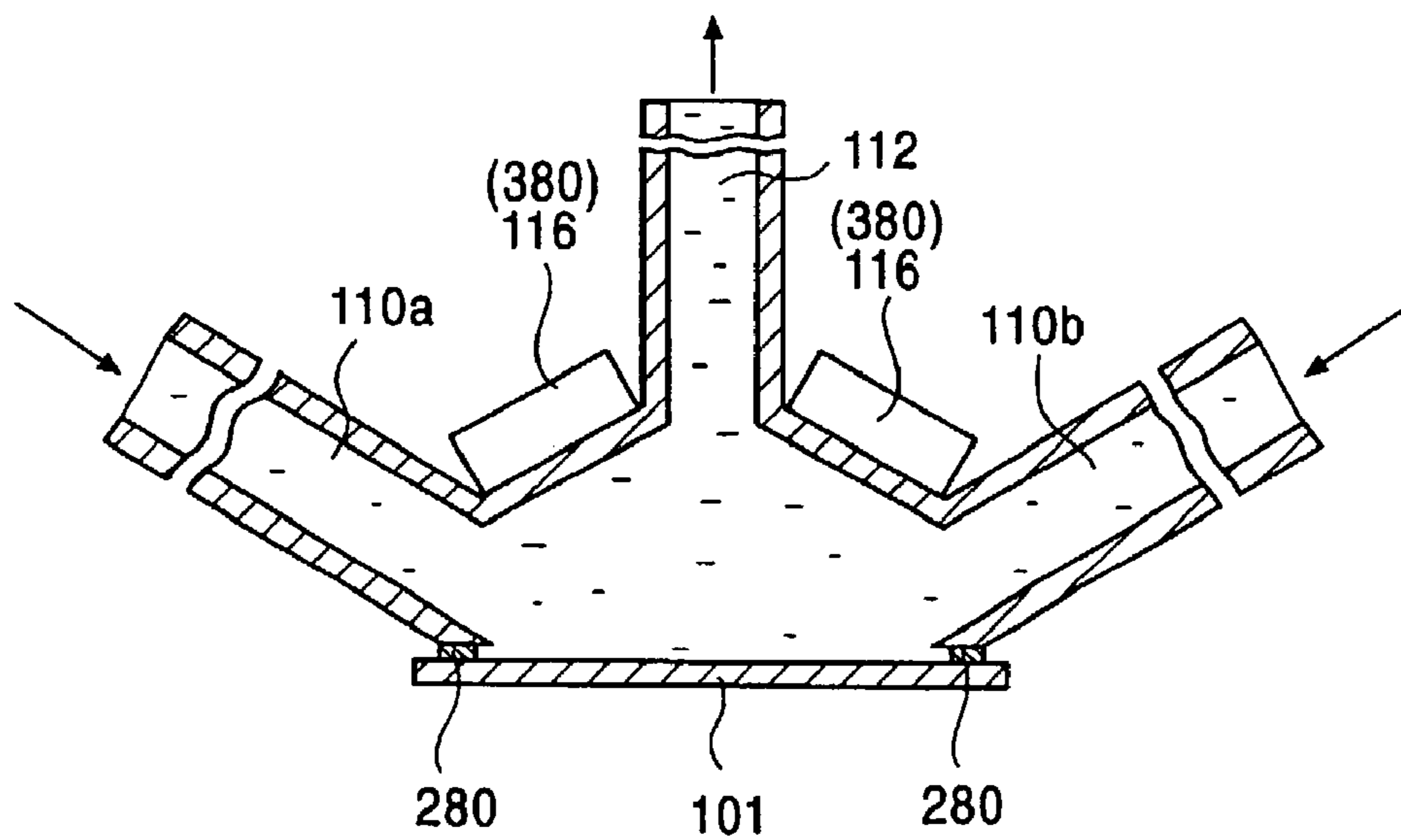


FIG. 34A

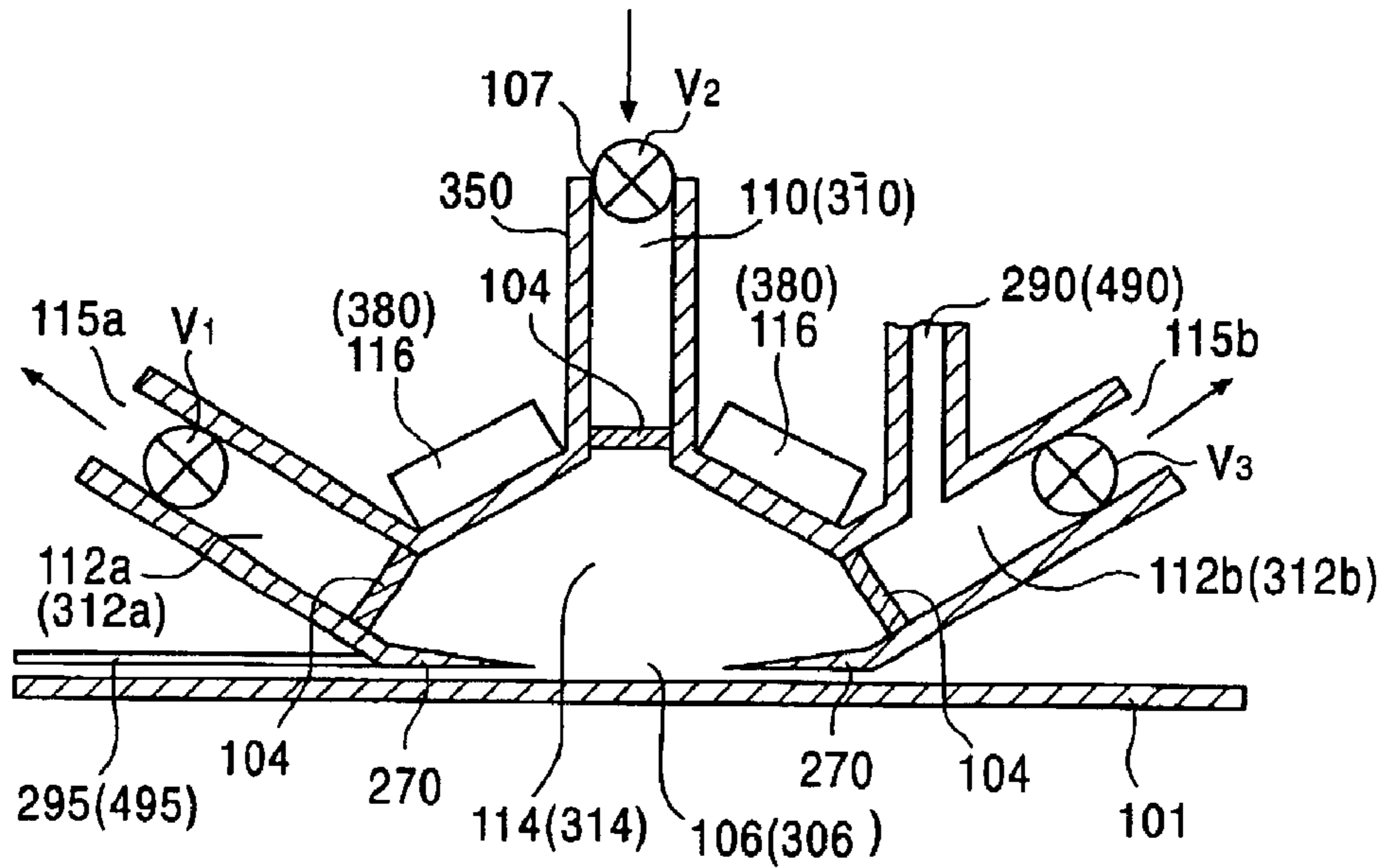


FIG. 34B

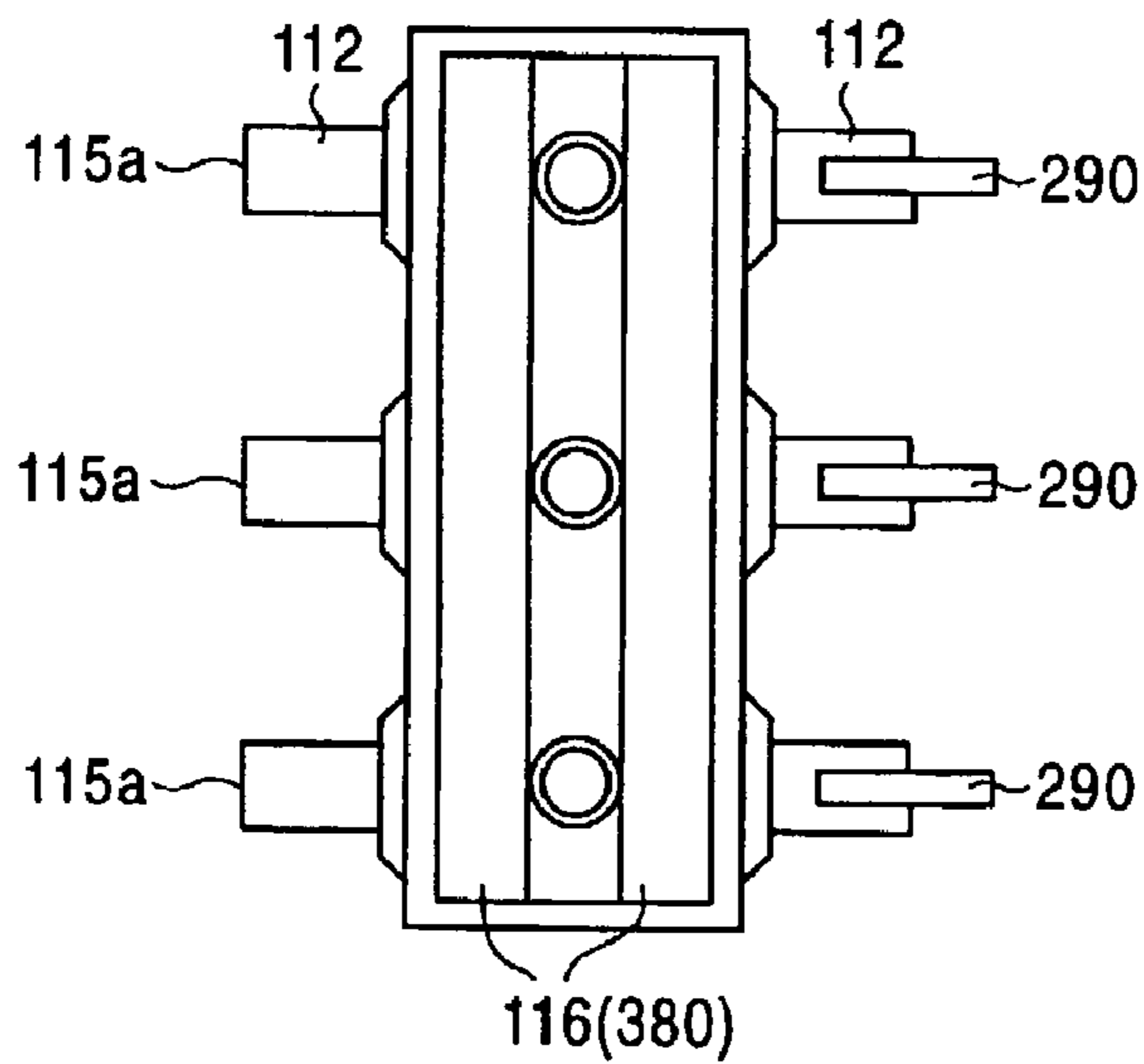


FIG. 35

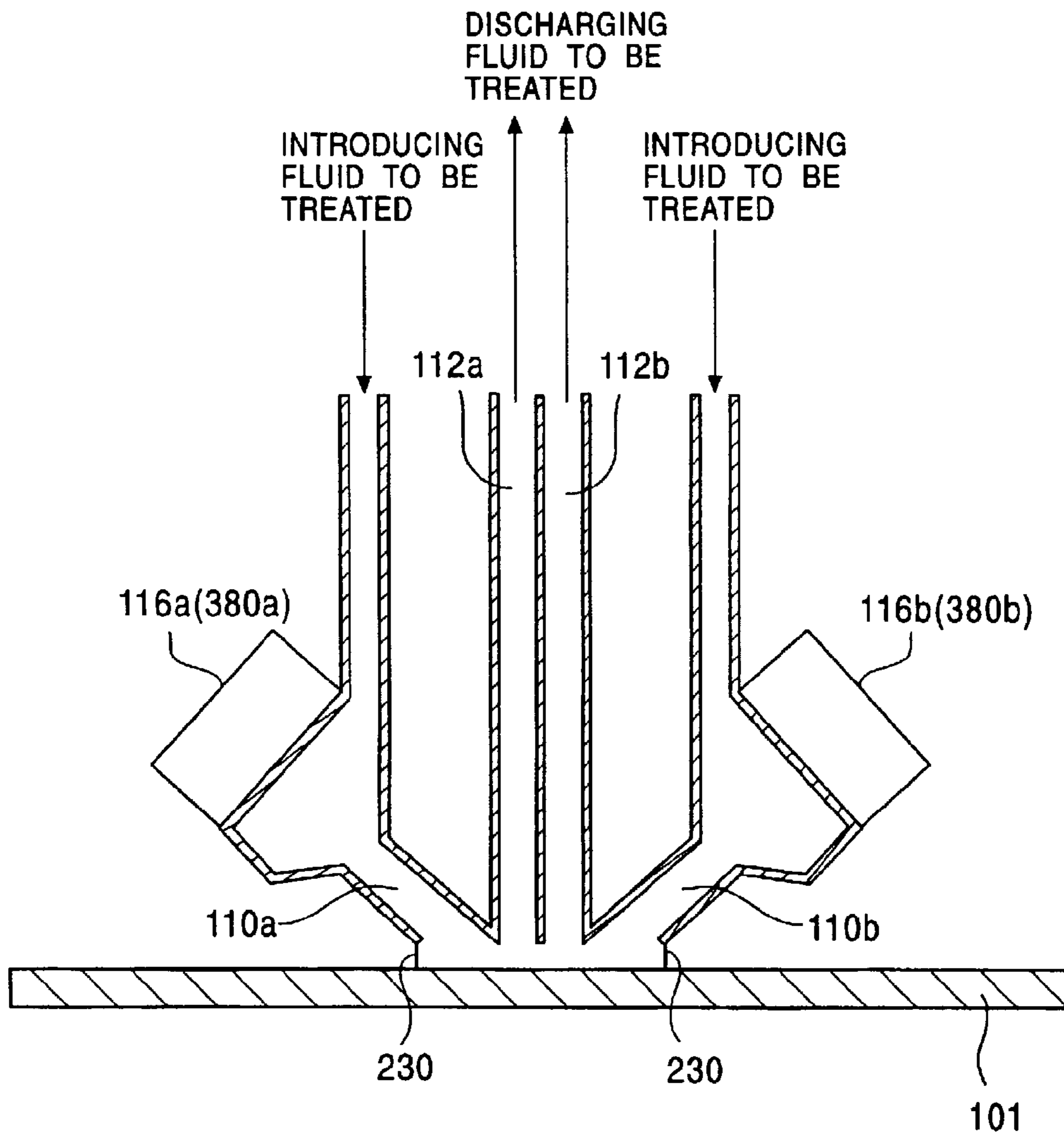


FIG. 36A

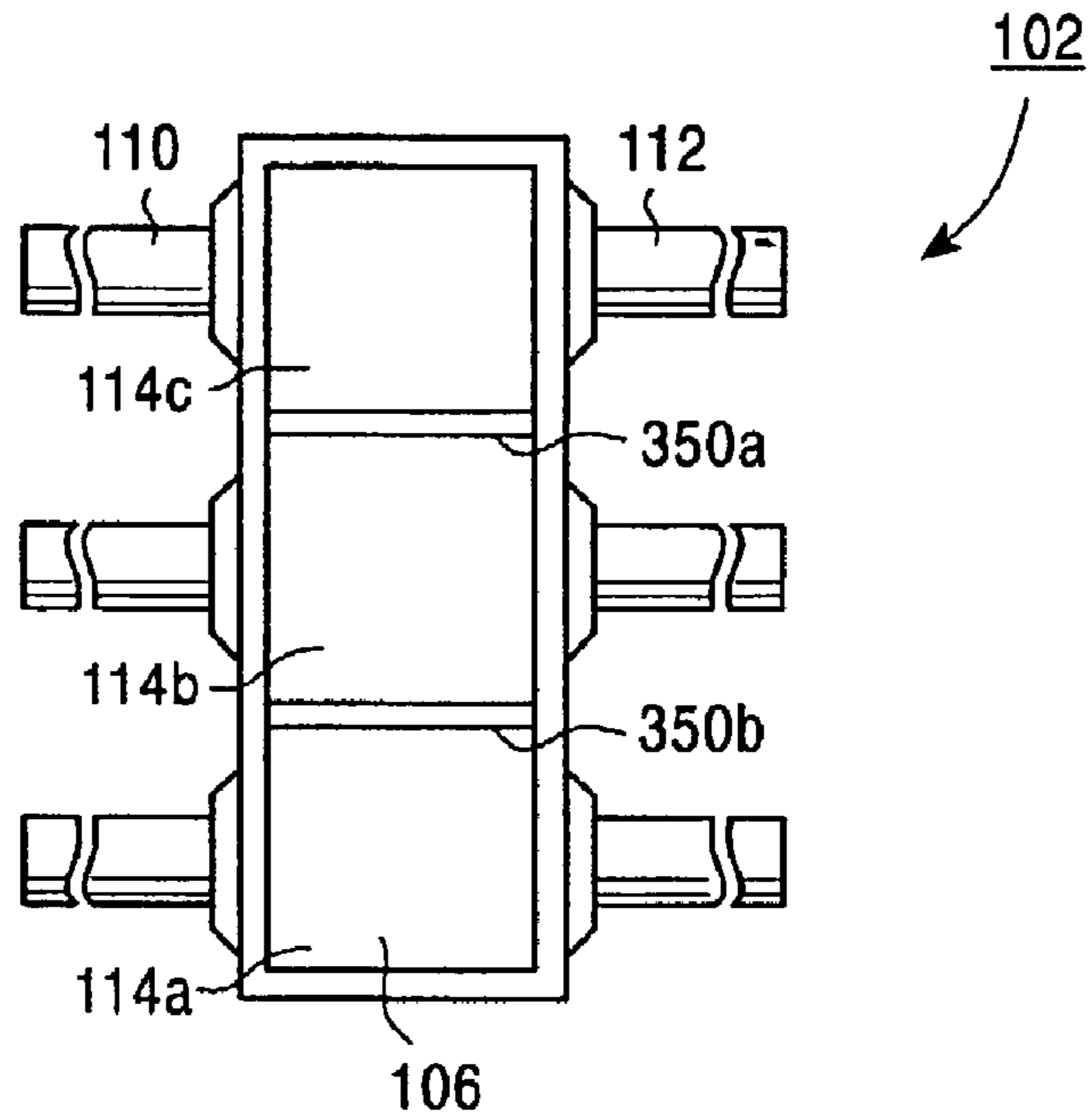


FIG. 36B

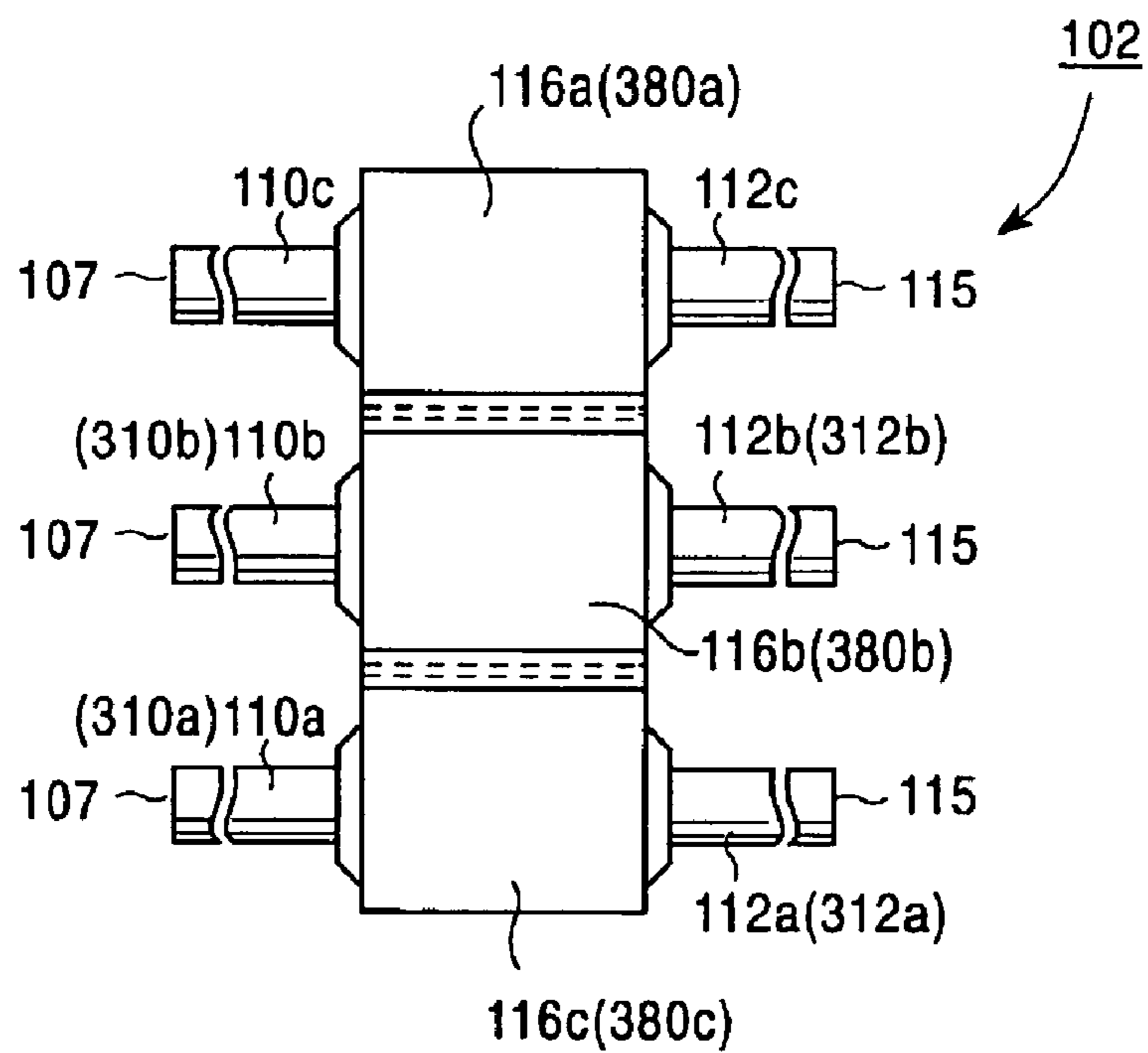


FIG. 37

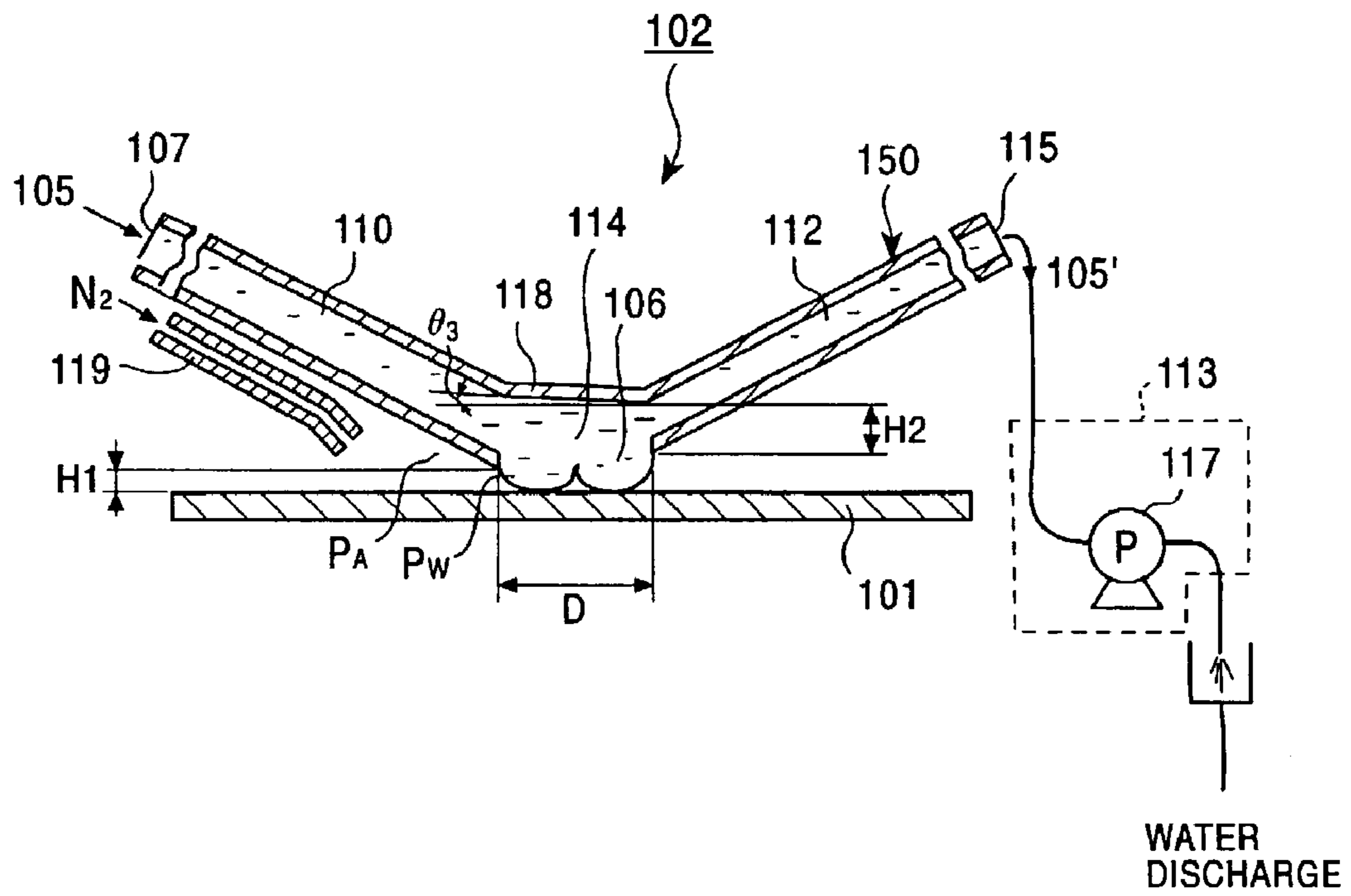


FIG. 38

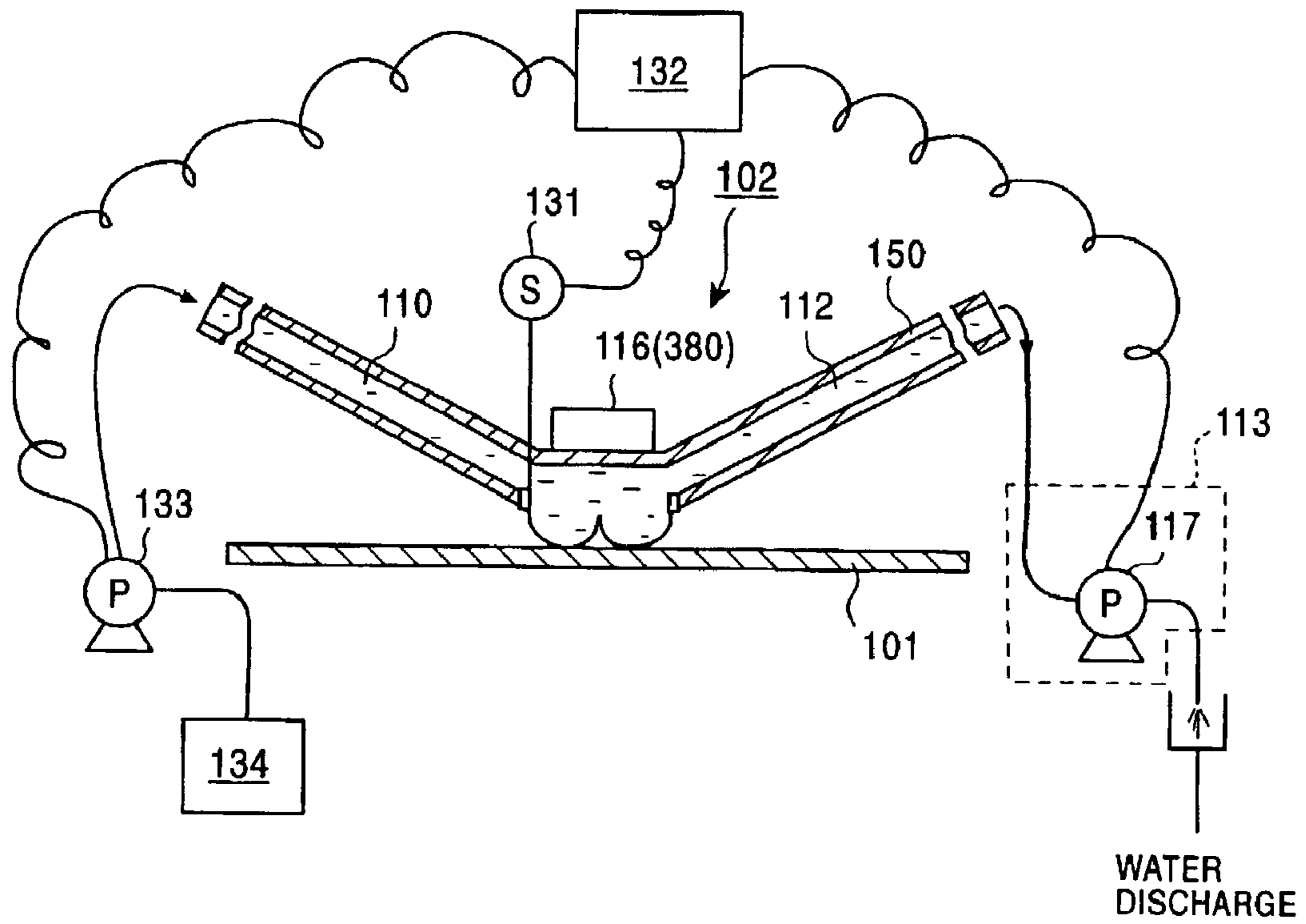


FIG. 39A

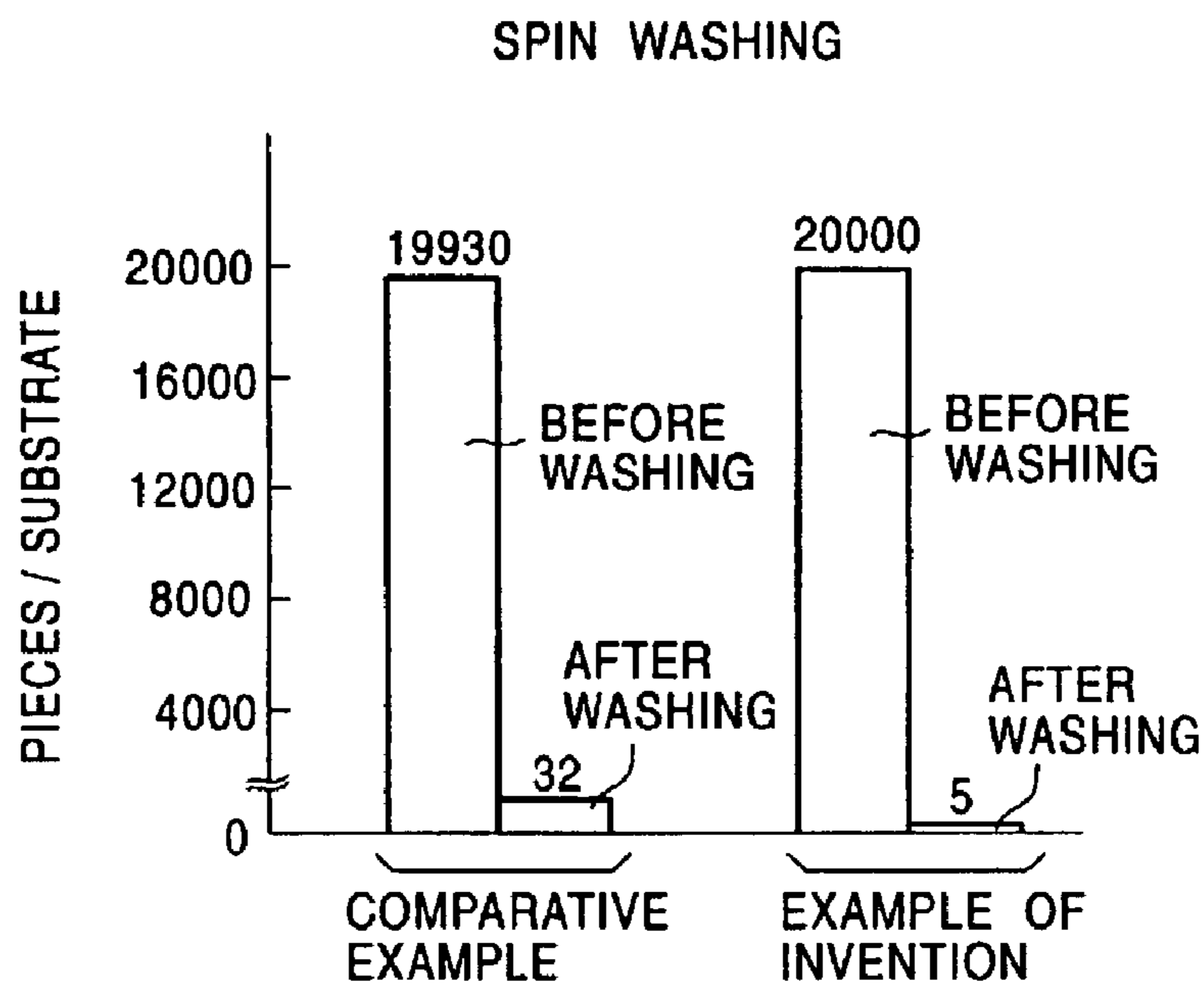


FIG. 39B

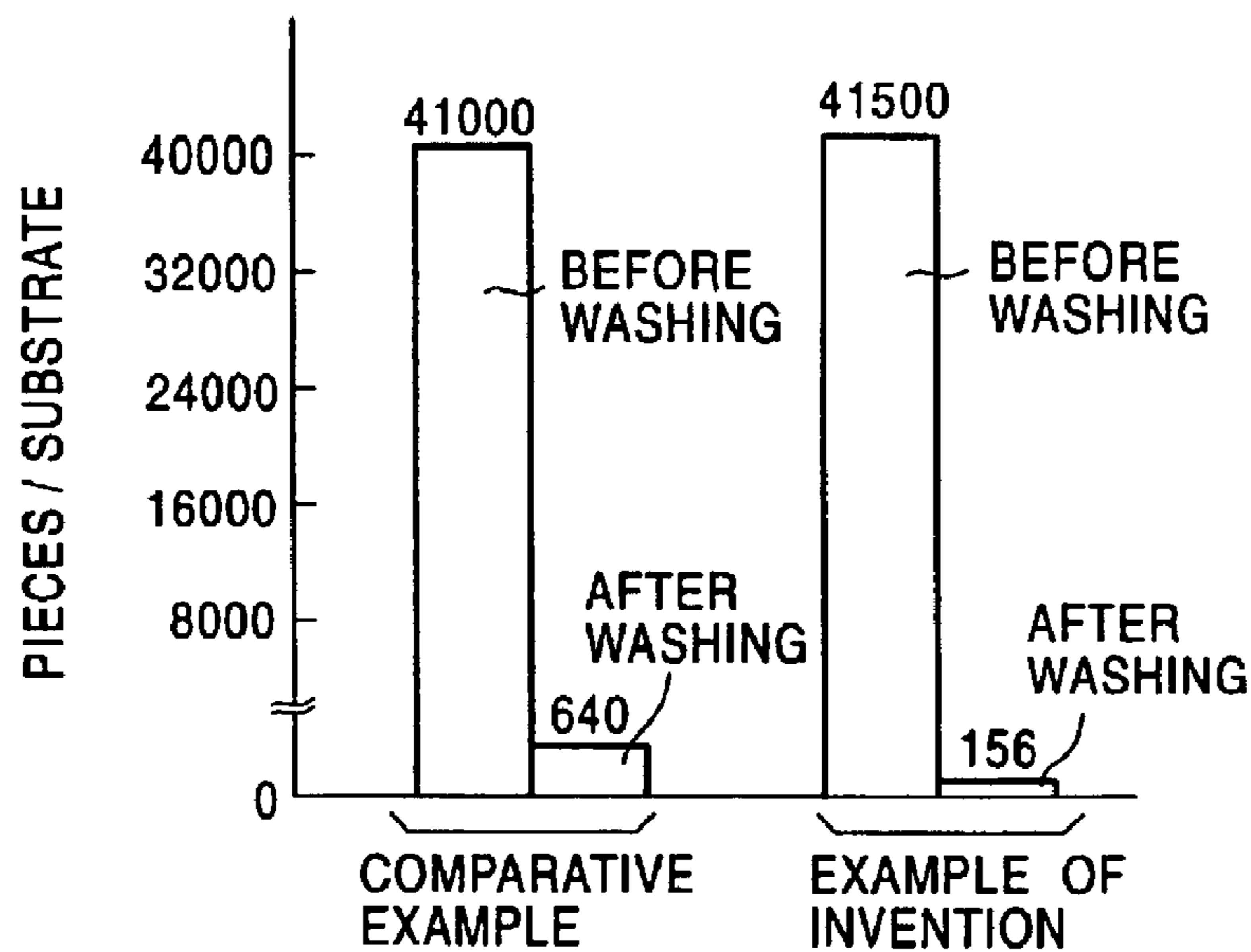


FIG. 40

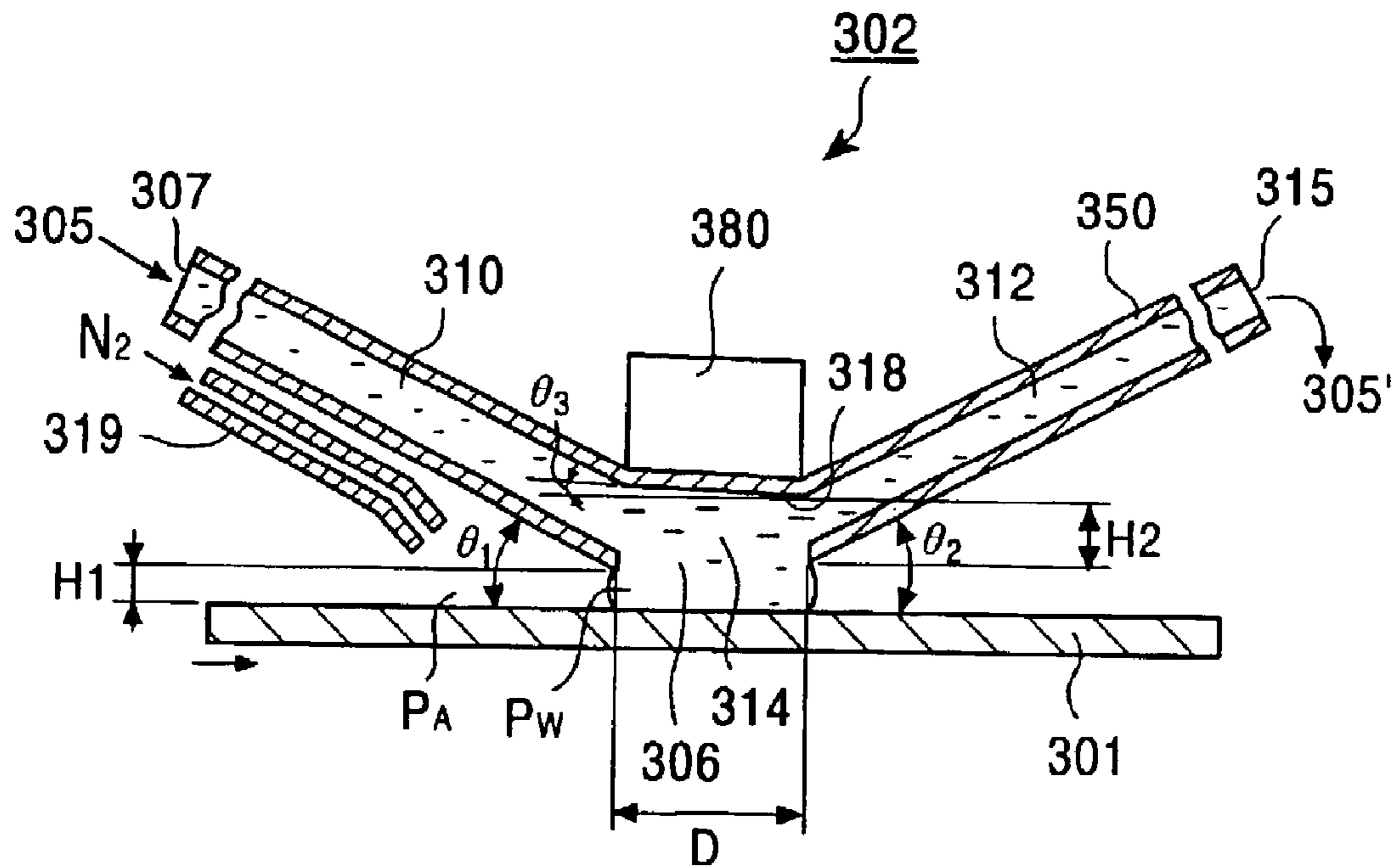


FIG. 41A

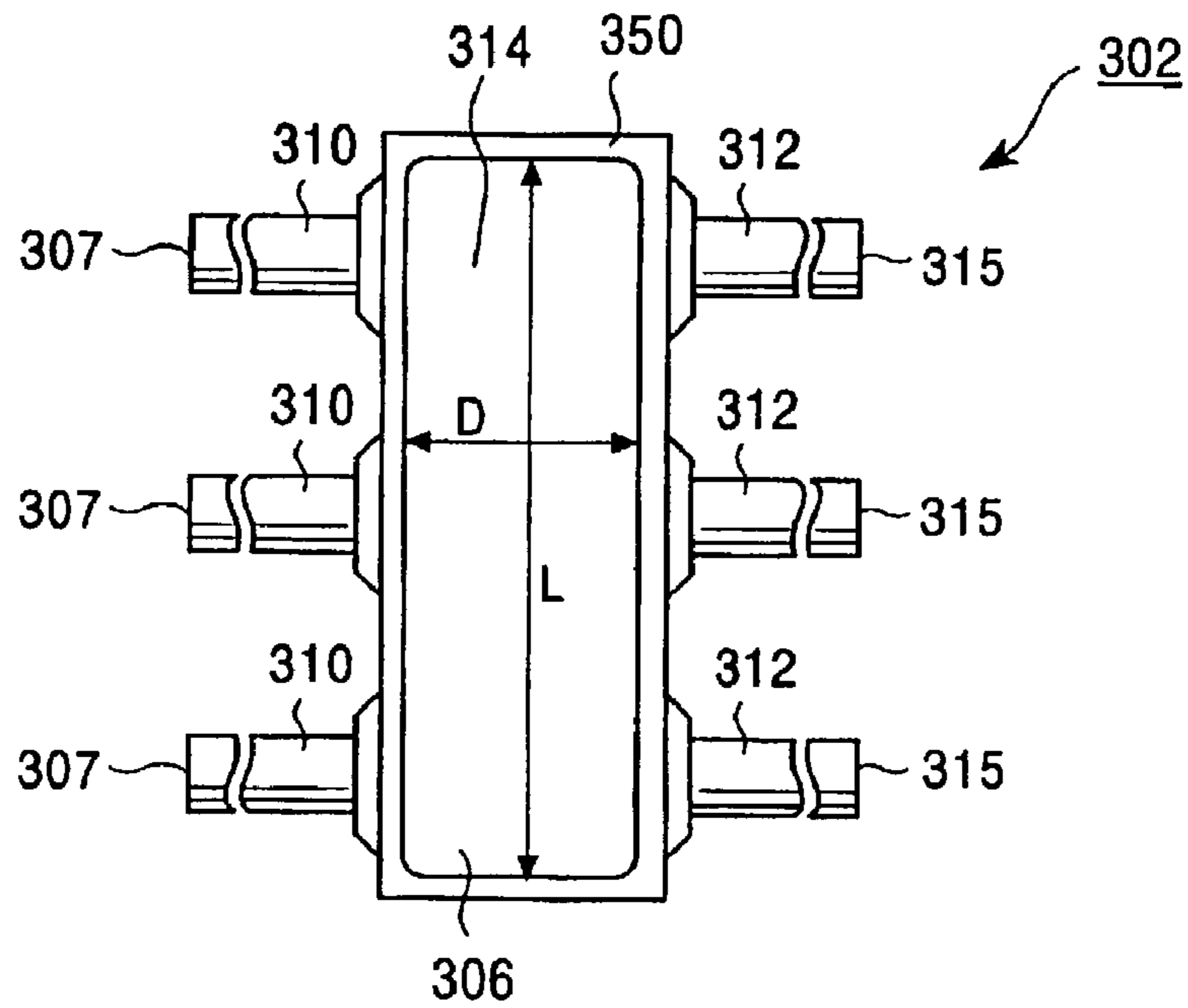


FIG. 41B

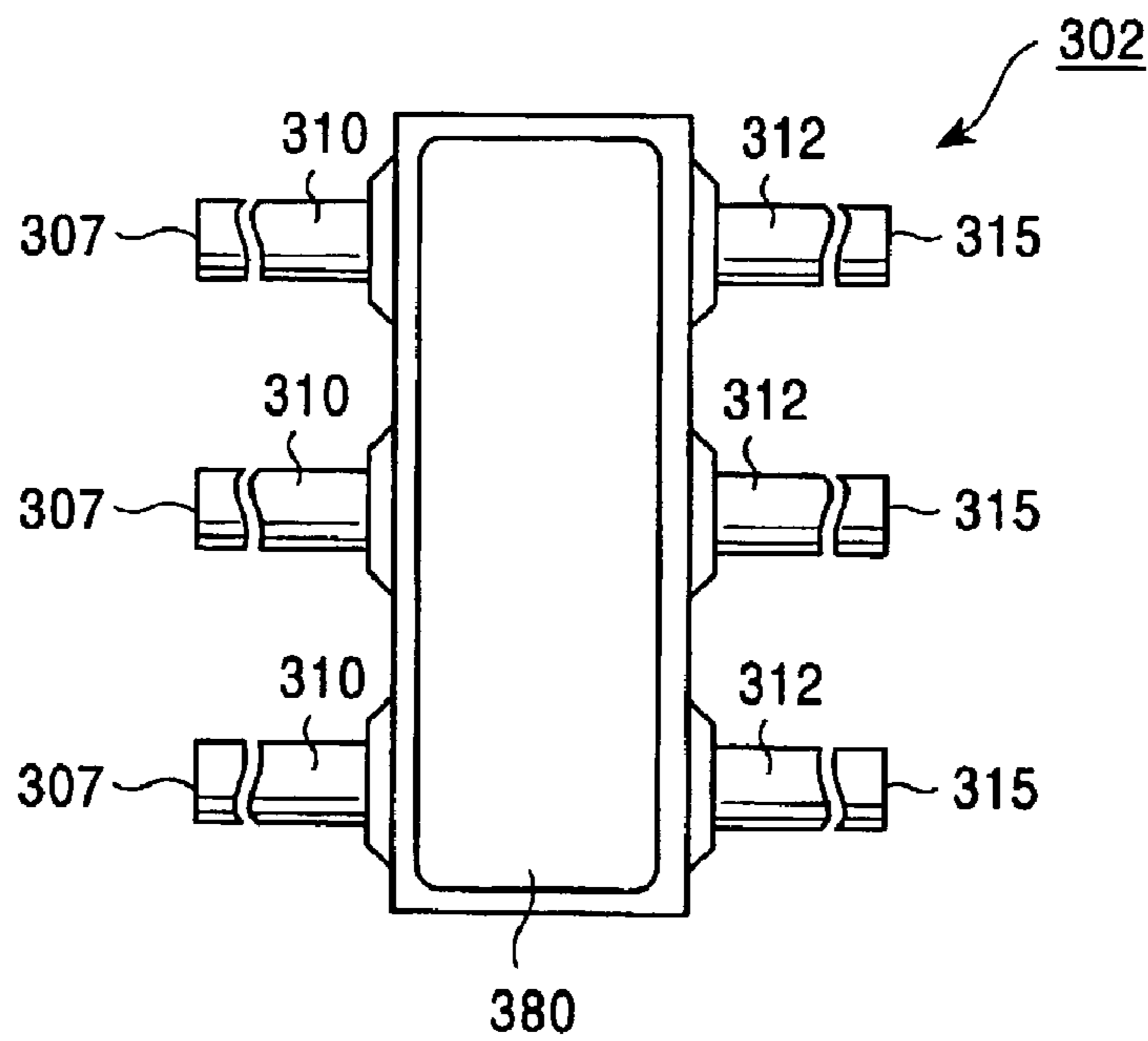


FIG. 42

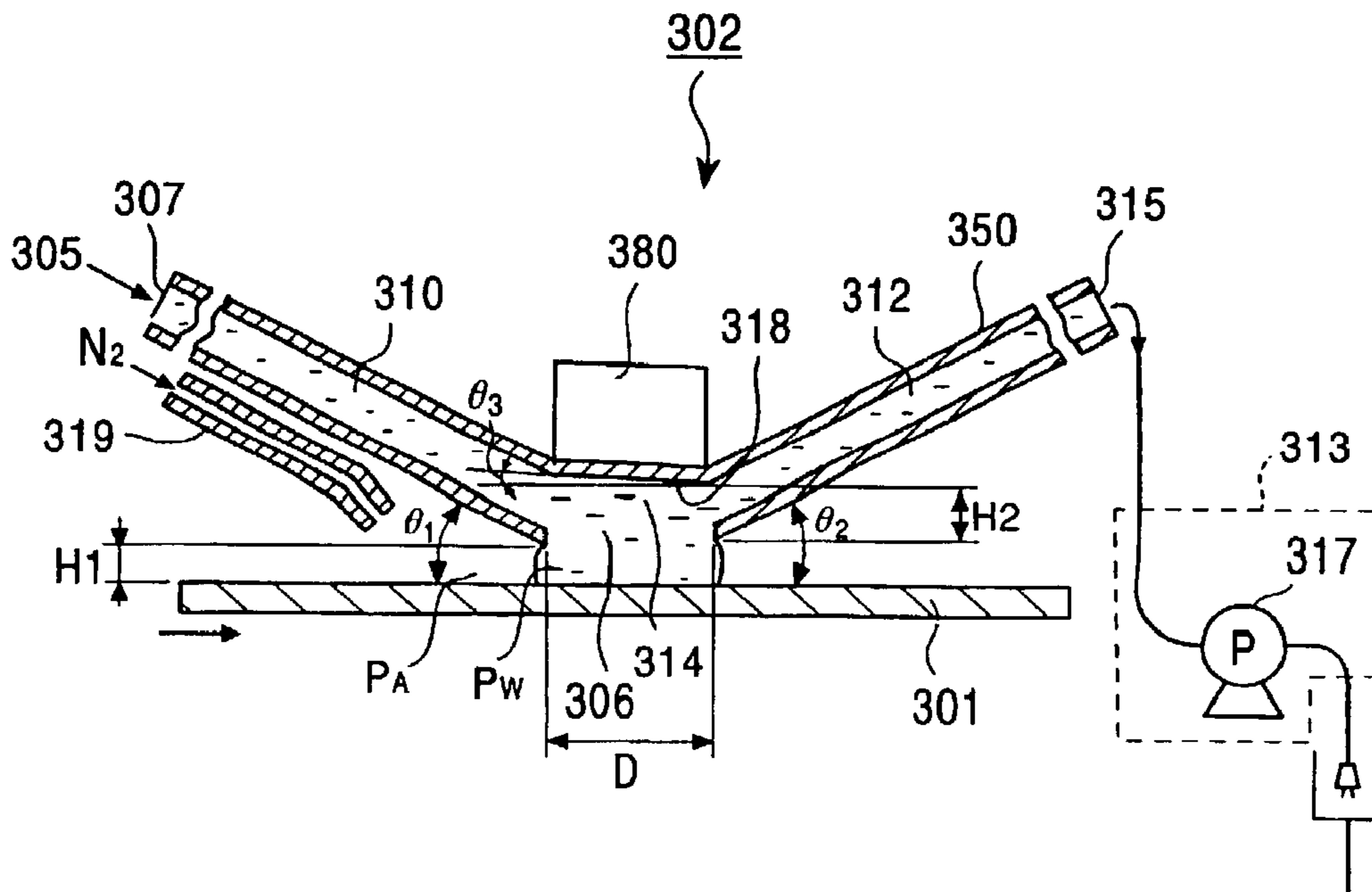


FIG. 43

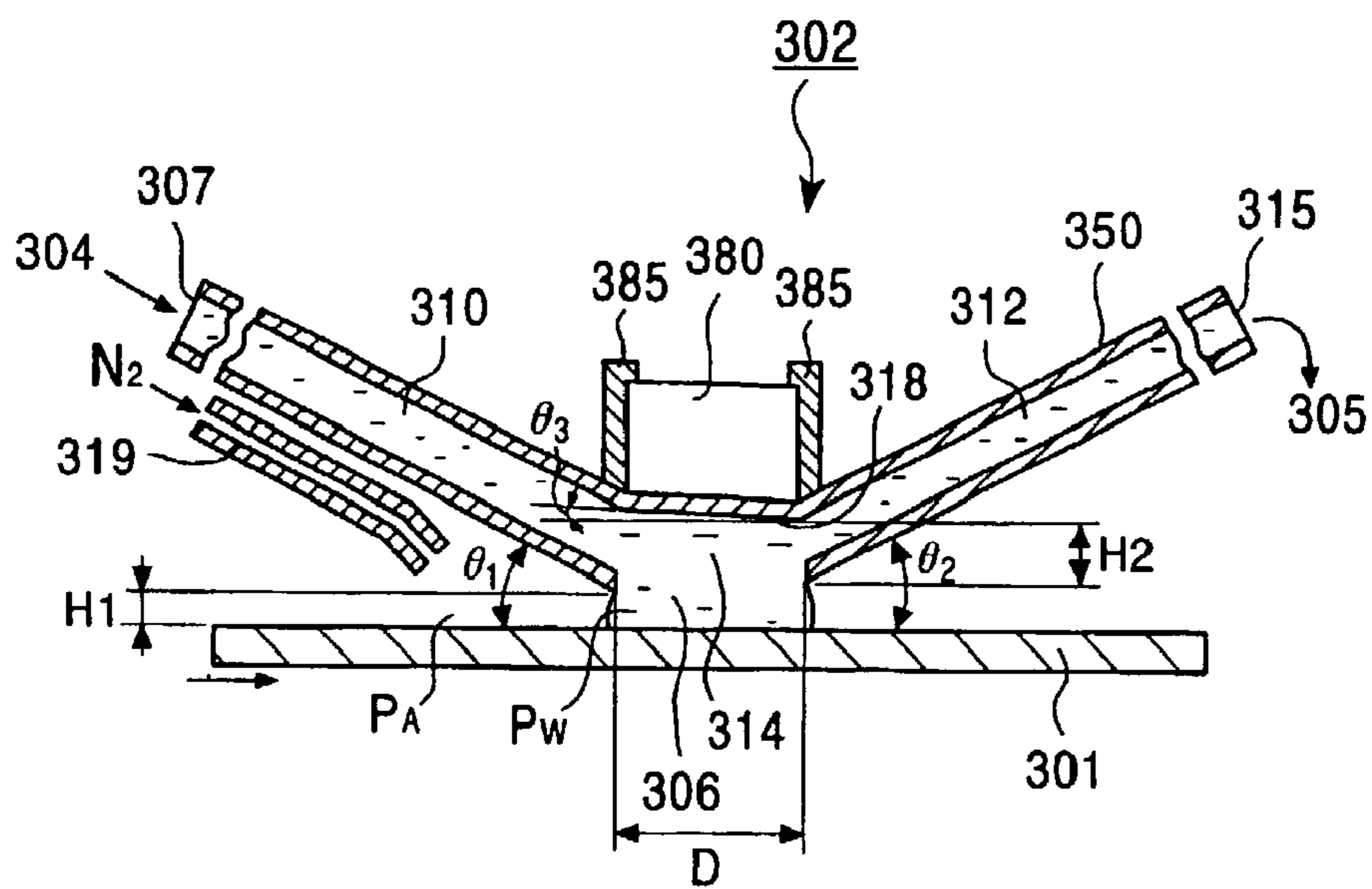


FIG. 44

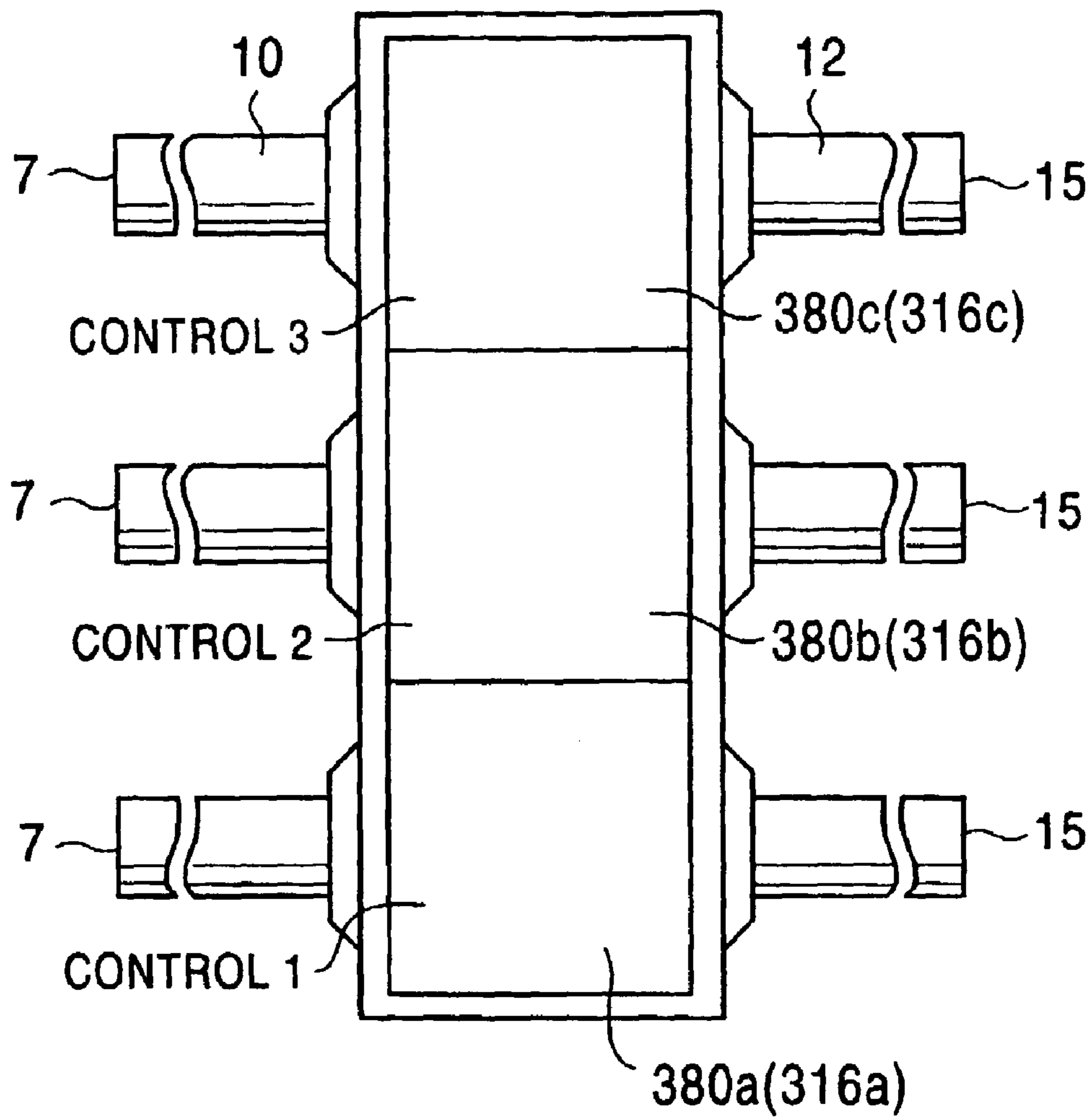


FIG. 45

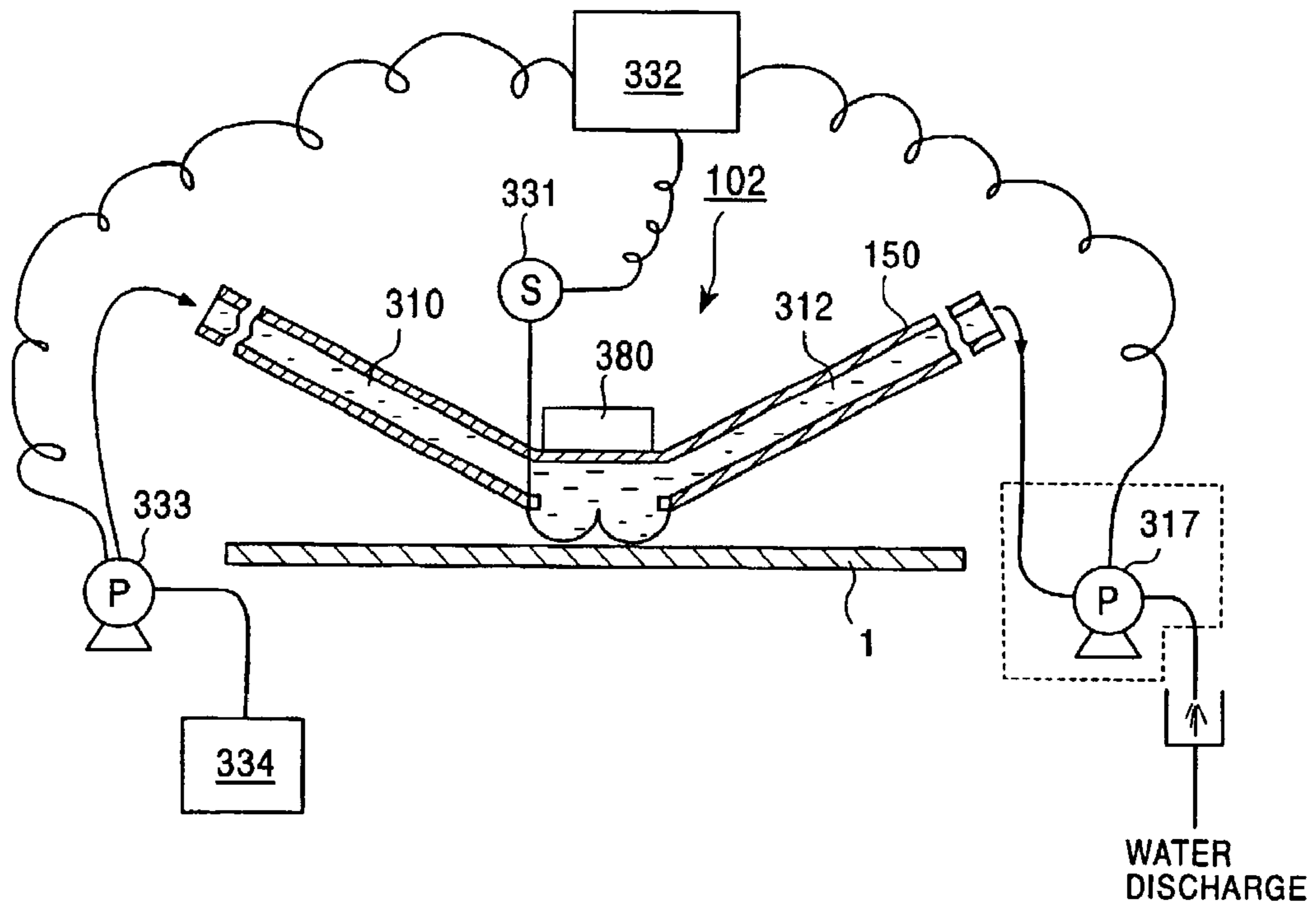


FIG. 46

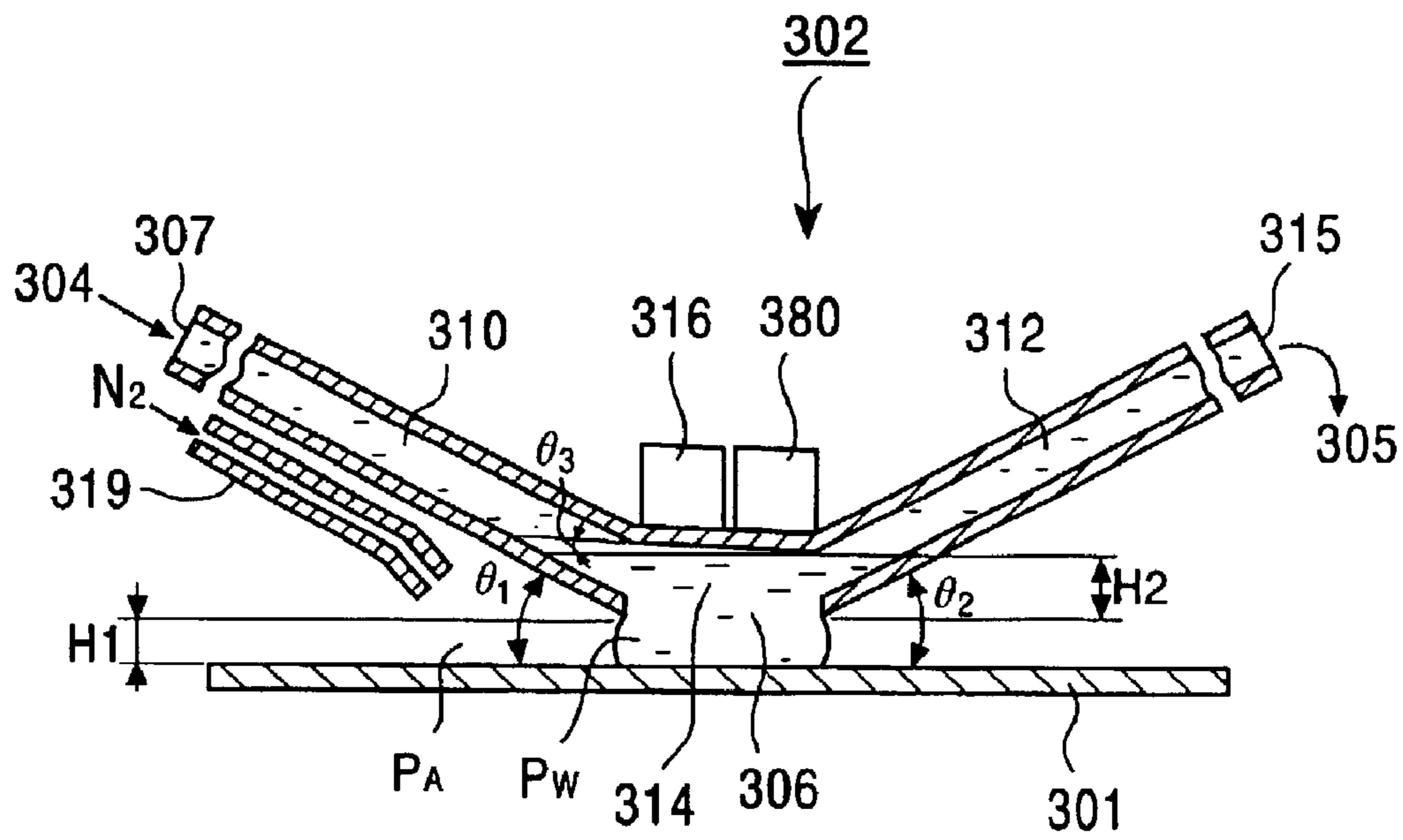


FIG. 47

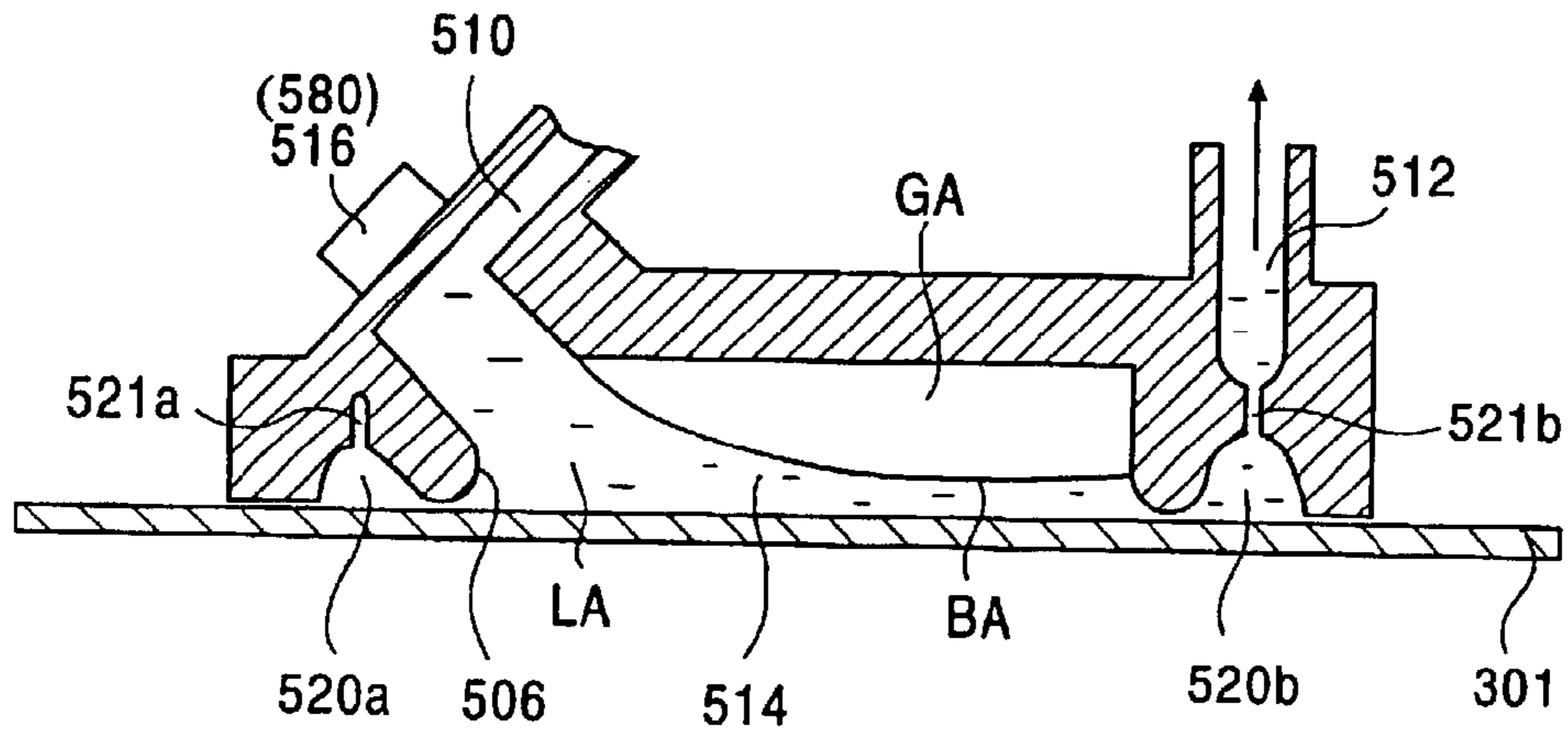


FIG. 48

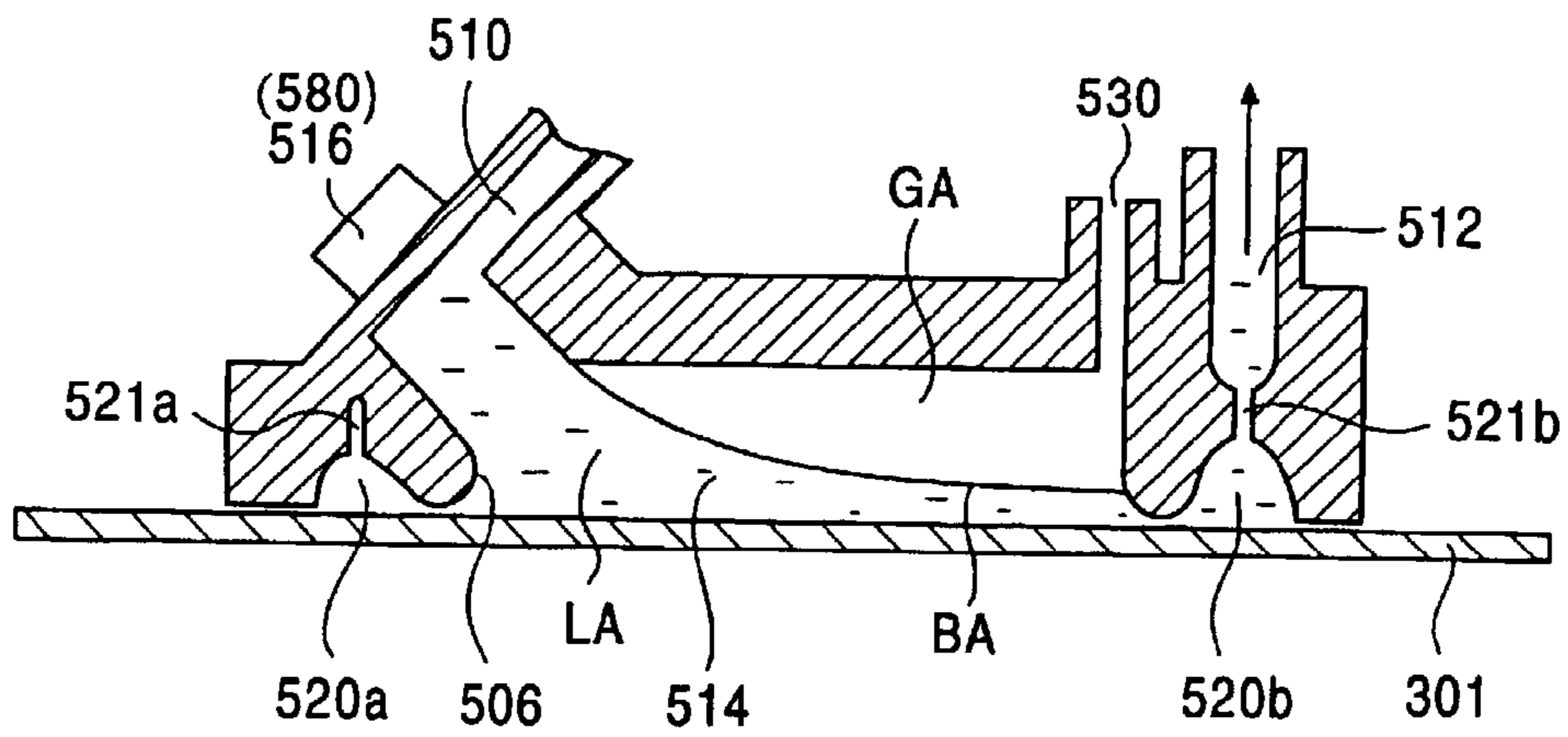


FIG. 49

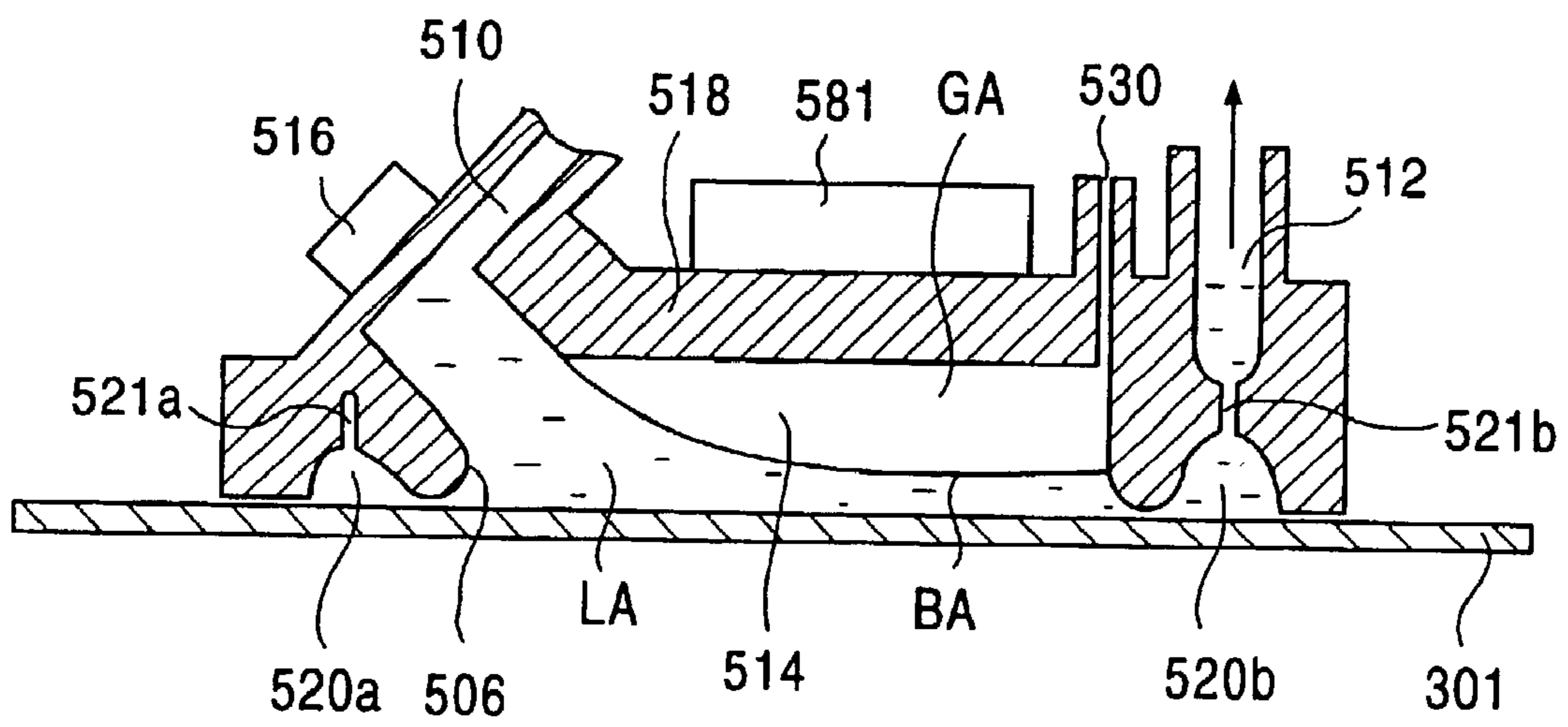


FIG. 50A

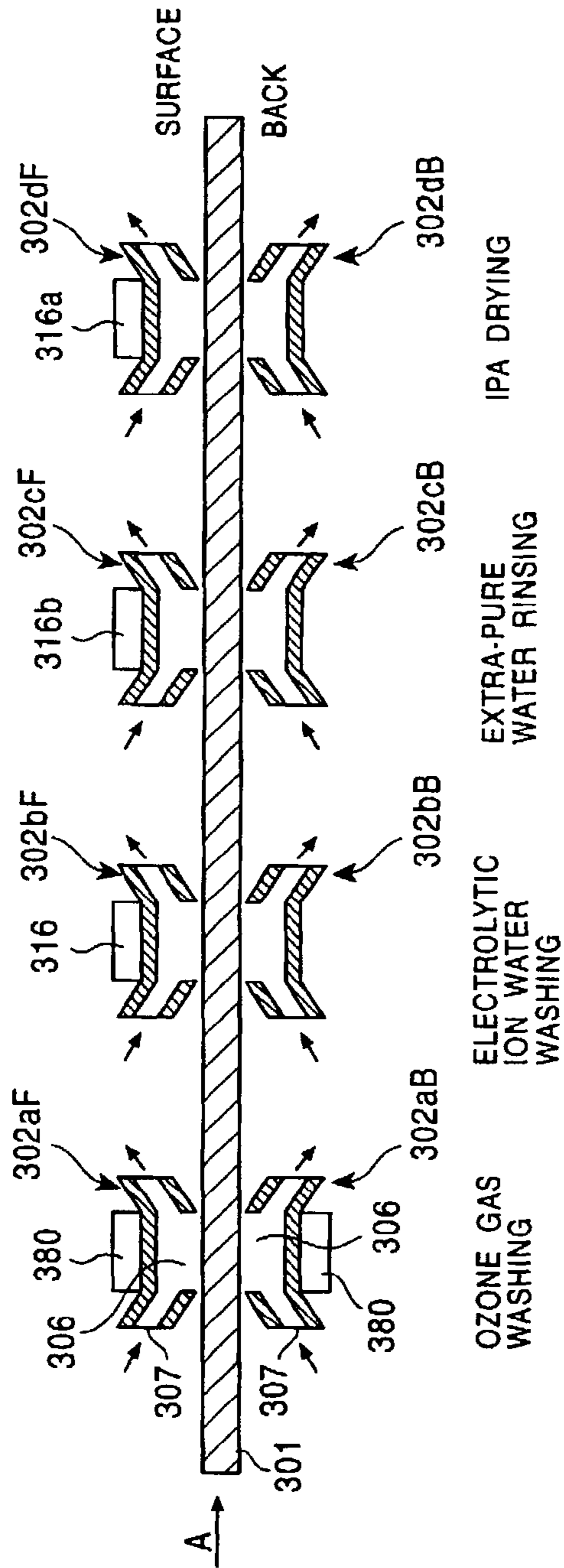


FIG. 50B

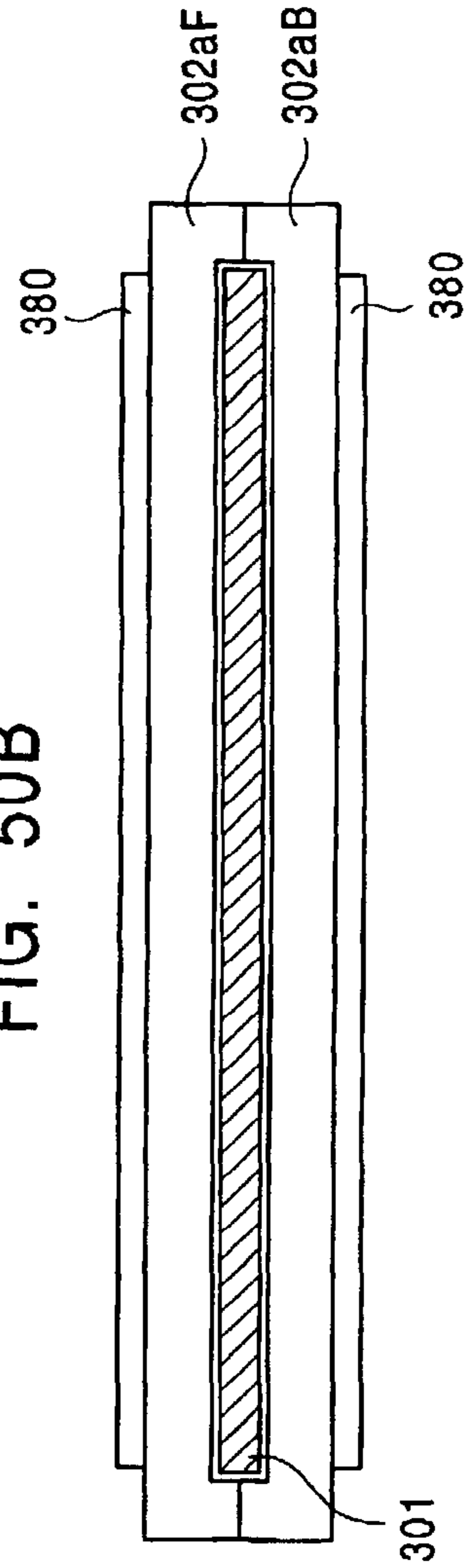


FIG. 51

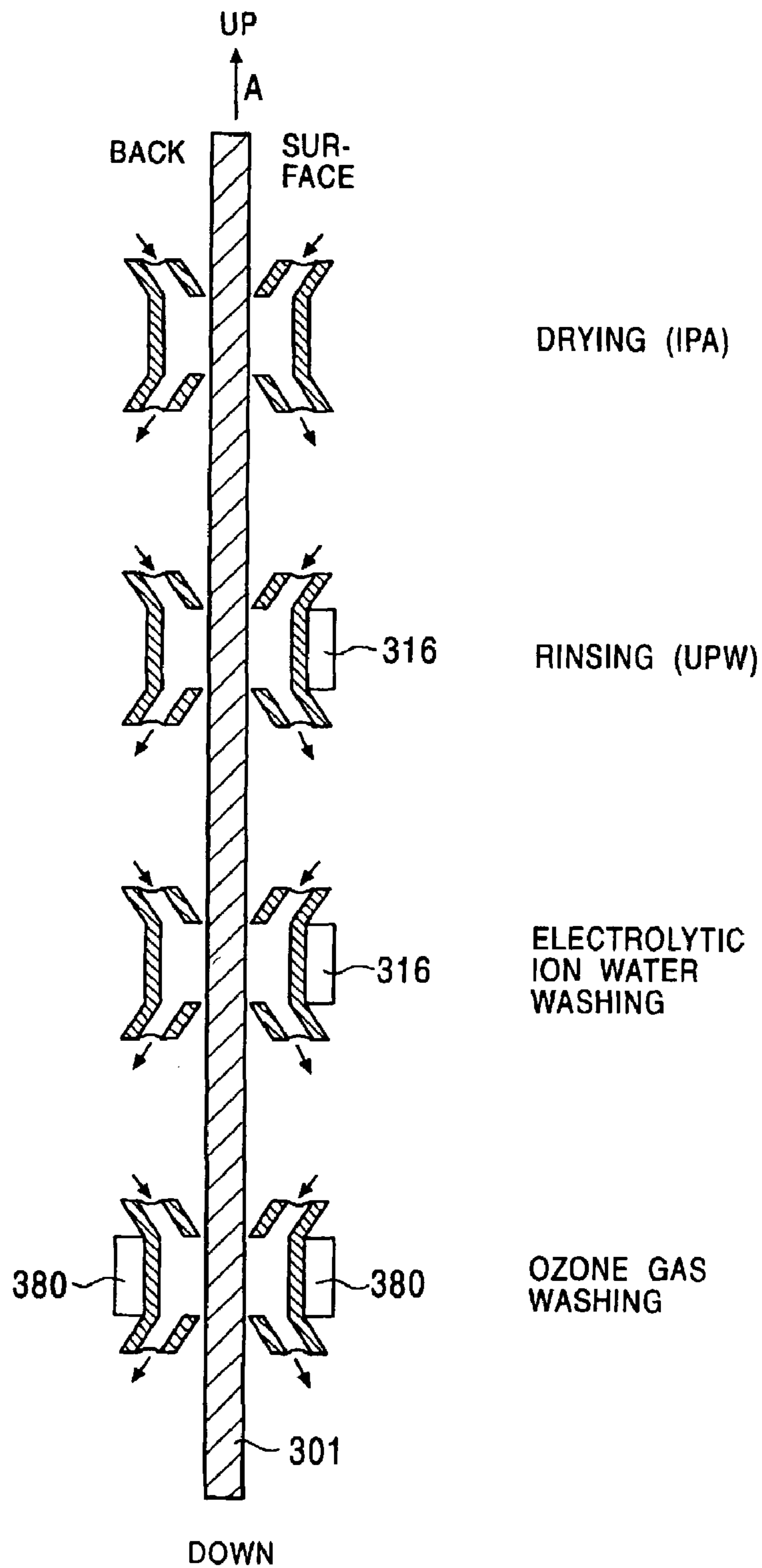


FIG. 52A
PRIOR ART

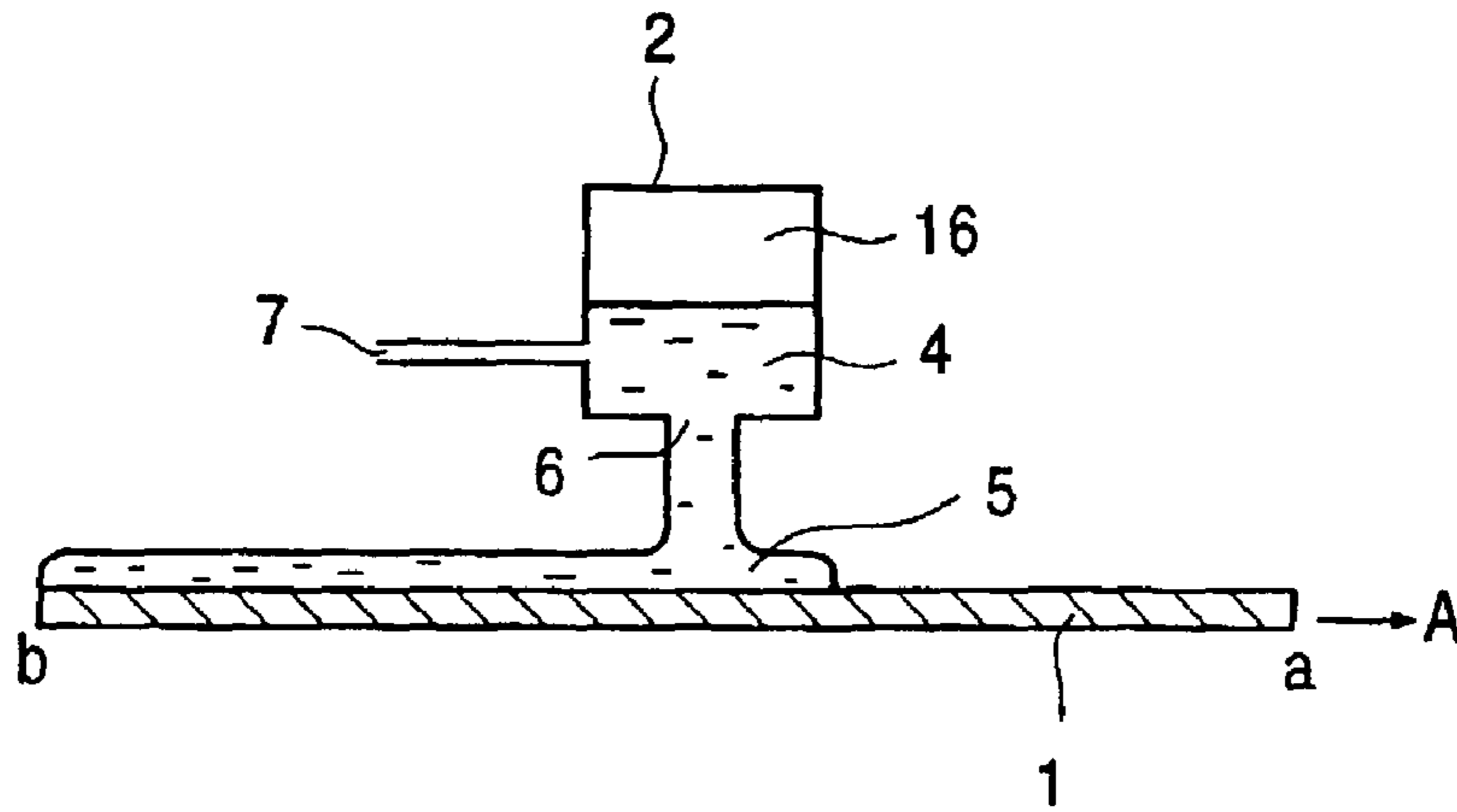


FIG. 52B
PRIOR ART

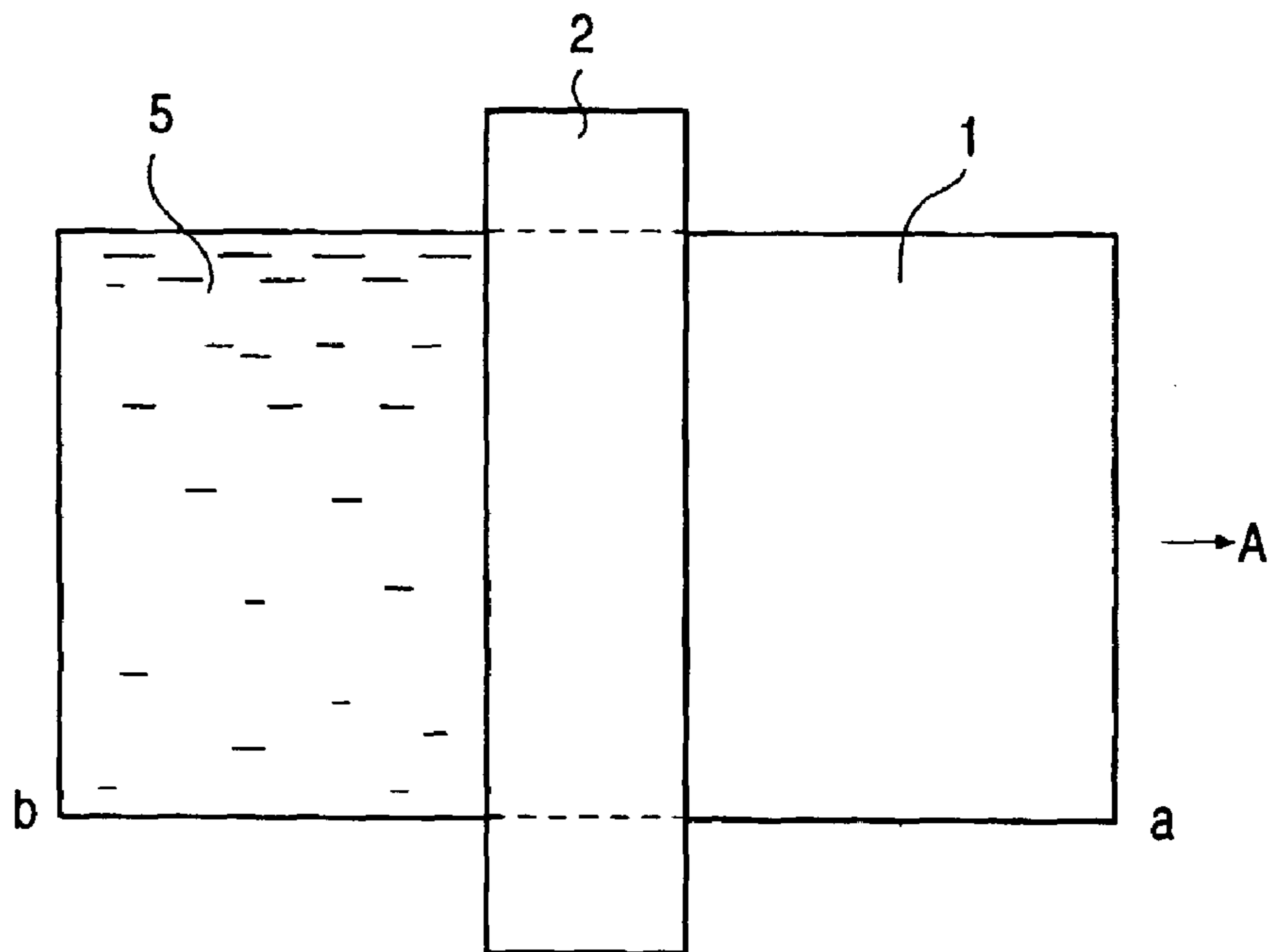
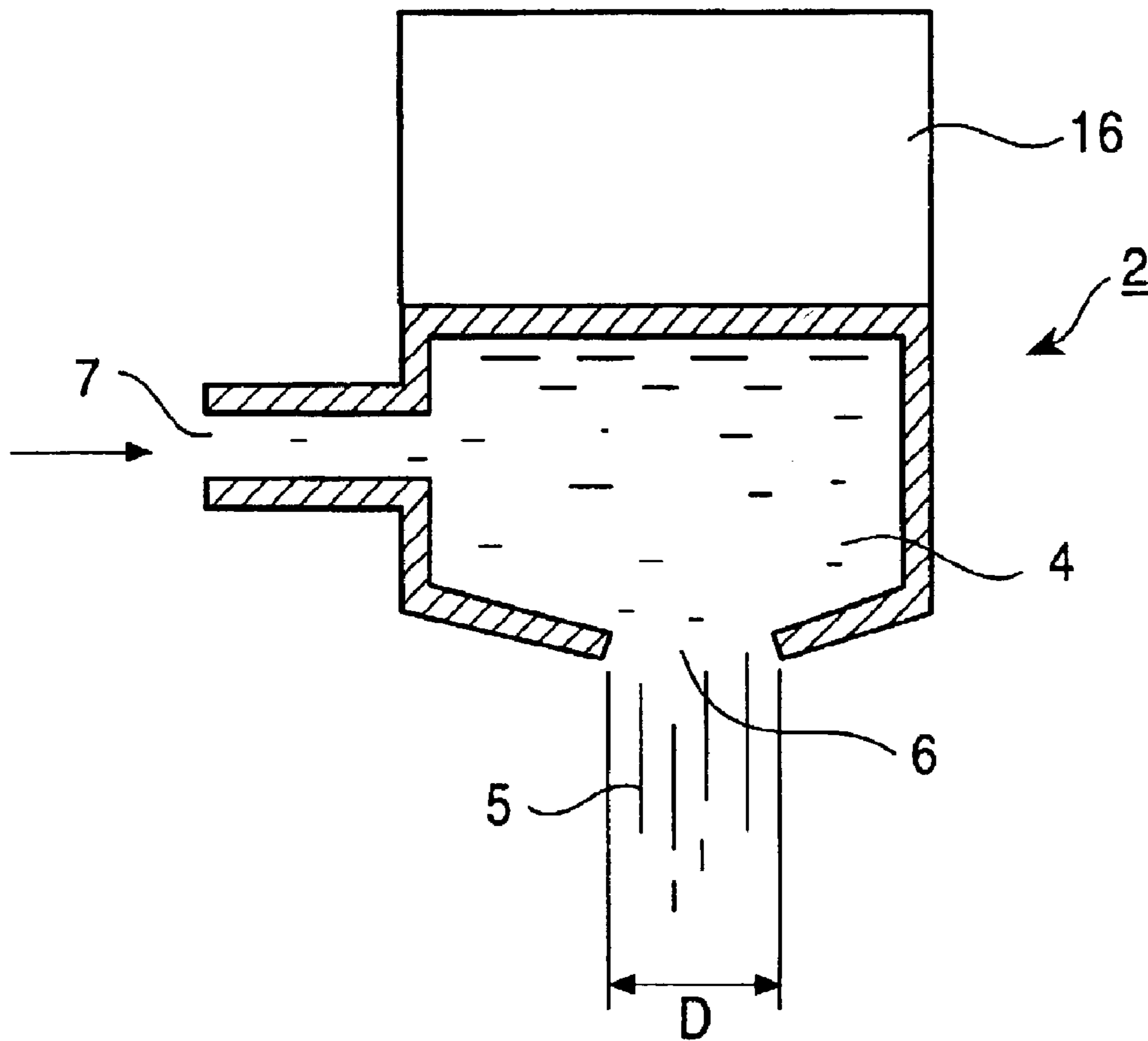


FIG. 53
PRIOR ART



**LIQUID FEED NOZZLE, WET TREATMENT,
APPARATUS AND WET TREATMENT
METHOD**

Matter enclosed in heavy brackets [] appears in the original patent but forms no part of this reissue specification; matter printed in italics indicates the additions made by reissue.

BACKGROUND OF THE INVENTION

1. Field of the Invention

The present invention relates to a fluid saving type fluid feed nozzle, a fluid saving type treatment fluid feed nozzle apparatus, a washing treatment system, and a treatment apparatus used for a wet treatment or a dry treatment such as washing, etching, development or stripping.

2. Description of the Related Art

From the point of view of washing from among the surface fluid treatments of large-sized substrates such as a substrate for solar cell, a substrate for liquid crystal, a substrate for plastic package and the like, the conventional art and problems will be described below.

A washing apparatus shown in FIG. 52 has conventionally been commonly used. FIG. 52A is a side view, and FIG. 52B is a plan view.

Washing is carried out by feeding a washing liquid such as extra-pure water, electrolytic in water, ozone water or hydrogen water by means of a wet treatment liquid feed nozzle 2 onto the upper surface of a substrate 1 while moving the substrate 1, for example, in the arrow A direction.

A washing liquid feed chamber 4, an opening section 6 guiding the washing liquid onto the substrate and a washing liquid introducing port 7 for introducing the washing liquid into the washing liquid feed chamber 4 are formed, as shown in FIG. 53 in this wet treatment liquid feed nozzle 2.

An ultrasonic element 16 is provided above the washing liquid feed chamber 4 to improve washing effect by imparting an ultrasonic wave of the order of MHz band to the washing liquid.

A washing liquid such as extra-pure water, electrolytic ion water, ozone water or hydrogen water is introduced from a washing liquid introducing port 7 into the washing liquid feed chamber 4 and fed to the substrate surface which is an object to be washed through the opening section 6 to wash the same. After washing with the washing liquid, rinsing is performed with a rinsing liquid (extra-pure water in general) by means of a nozzle having a structure similar to that of the wet treatment liquid feed nozzle 2 shown in FIG. 53 with a view to removing the washing liquid from the surface of the object to be washed, and to eliminating residual particles and the like.

However, the aforesaid conventional art has the following problems.

(1) First, it requires a large consumption of a washing liquid or a rinsing liquid.

For example, in order to achieve a cleanliness as represented by a amount of residual particles (for example, Al_2O_3 particles) remaining on the substrate 1 on a level of 0.5 particles/cm², when a 500 mm square substrate 1 is washed with a washing liquid such as electrolytic ion water, and then rinsed with a rinsing liquid, the washing liquid and the rinsing liquid must be fed at a flow rate within a range of from about 25 to 30 L/min. The flow rate within a range of from 25 to 30 L/min is selected to permit imparting a stable ultrasonic wave. With a rate of under 25 to 30 L/min, therefore, it becomes impossible to stably impart an ultrasonic wave, and hence to

wash cleanly. The consumption of the washing liquid must currently be large for the reason as described above. A liquid consumption of 25 to 30 L/min is still required because the frequency of the ultrasonic wave is raised and the nozzle slit width of ultrasonic washing is reduced. Here is a limit of the existing art.

(2) The second problem is that applicability of ultrasonic wave near the MHz band is limited. There is currently available ultrasonic wave within a range of from 0.7 to 1.5 MHz. In all cases of wet treatment, occurrence of a damage to the object to be treated should be avoided. For this purpose, it is the usual practice to use ultrasonic wave near the MHz band which does not cause a damage resulting from cavitation in washing. A lower limit of usage is adopted from the point of view of avoiding occurrence of a damage to the object to be treated. An upper limit is selected in view of the fact that an effective power available for washing cannot be derived with ultrasonic wave of a frequency of over 2 MHz. Conceivable reasons of impossibility to derive an effective power applicable for washing include the facts that the effective power is low because of a problem in circuit of the ultrasonic element and that, as shown in FIG. 53, the ultrasonic element is distant from the object to be wet-treated, resulting in a large attenuation of ultrasonic power.

(3) The third problem is that, because the washing liquid imparted with an ultrasonic wave as in the washing liquid feed chamber 4 is fed via the narrow opening section 6 onto the object to be washed, there occurs a considerable damping of ultrasonic output, this leading to the necessity to increase the input power beyond necessity and therefore to a shorter service life of the ultrasonic oscillator. With an ultrasonic wave having a frequency within a range of from 0.7 to 1.5 MHz, while it is possible to derive an effective power applicable for washing, the ultrasonic element is distant from the object to be washed as shown in FIG. 53, and damping of the ultrasonic power is still serious. Load on the adhering surface of the ultrasonic oscillator is very large so that only a slight change in the feed amount of washing liquid or the like may often cause a failure.

(4) The fourth problem lies in cleanliness after washing. Even when a large amount of washing liquid (25 to 30 L/min) is used and a sufficient rinsing is carried out after washing as described above, the resultant cleanliness is limited to a level, resulting in an average cleanliness of about 0.5 particles/cm².

When a higher cleanliness (about 0.05 particles/cm²) is demanded, the conventional washing technology cannot cope with this demand. Even within a substrate, furthermore, there are fluctuations of cleanliness, and therefore, the portion on the side (b) opposite to the travel of the substrate 1 as shown in FIG. 52 shows a cleanliness lower than that of the portion (a) on the travelling side. As is clear from the distribution of cleanliness shown in FIG. 52B, a problem is that the portion closer to the leading end (a) in the travelling direction has a higher cleanliness, and cleanliness worsens toward the rear end (b) in the travelling direction.

This is attributable to the fact that particles once removed adhere again to the substrate surface while the washing liquid fed from the feed nozzle to the substrate surface flows in the form of a liquid film on the surface of the large-sized substrate to the substrate edge.

The present inventors obtained the following findings regarding washing, a form of wet treatment. Consideration on reasons why a high cleanliness could not be obtained from washing by means of a conventional washing apparatus as shown in FIG. 50 led to a conclusion that it was caused by the following reasons. When the washing liquid is fed from the nozzle opening section 6, the leading end side (a) of the

substrate 1 is washed. However, since the substrate 1 travels in the arrow A direction, the washing liquid having washed the surface is transferred smoothly along the surface of the substrate 1 to the rear end (b) of the substrate 1. Because the washing liquid after washing contains particles, these particles adhere again to the surface of the substrate 1 during travel toward the (b) end side. The amount of accumulated particles is larger in the washing liquid after washing at a position closer to the rear end so that the amount of adhesion is larger, leading to a poorer cleanliness.

The present inventors thus clarified that the cause of a poorer cleanliness and an increased consumption of rinsing liquid lay in re-adhesion of once removed particles.

The present invention is therefore to prevent, in a wet treatment method for gradually feeding a wet treatment liquid to an object to be wet-treated, re-adhesion of a wet treatment liquid fed from the wet treatment liquid feed nozzle to the object to be wet-treated, by removing the same from the object to be wet-treated without allowing it to come substantially into contact with portions other than the portion to which the wet treatment liquid has been fed. More particularly, re-adhesion is prevented by immediately removing the wet treatment liquid having contributed to a wet treatment to outside the system.

The present inventors developed a wet treatment liquid feed nozzle, a wet treatment apparatus and a wet treatment method as described above as a technique for preventing re-adhesion.

The invention has therefore an object to provide a liquid-saving type treatment liquid feed nozzle, a treatment liquid feed nozzle apparatus, a washing system and a treatment apparatus which solve the problems of the conventional wet and dry treatment apparatuses and wet and dry treatment methods, permit reduction of the consumption of the treatment liquid to under a tenth the conventional consumption, and allow to obtain a higher cleanliness than the conventional one.

Another object of the invention is to provide a treatment liquid feed nozzle, a treatment liquid feed nozzle apparatus and a treatment apparatus in which leakage of the treatment liquid from the treated surface of the object to be treated to outside is non-existent or very slight, if any.

SUMMARY OF THE INVENTION

To solve the foregoing problems, the wet treatment liquid feed nozzle of the invention comprises a nozzle assembly which has an introducing path having an introducing port for introducing a wet treatment liquid at an end thereof, a discharging path having a discharging port for discharging the wet treatment liquid after a wet treatment to outside the wet treatment system and an opening section opening to an object to be wet-treated provided at a crossing section formed by causing the introducing path and the discharging path to cross at the other ends thereof; and pressure control means for controlling a difference between pressure of the wet treatment liquid in contact with the object to be wet-treated and the atmospheric pressure so as to prevent the wet treatment liquid in contact with the object to be wet-treated via the opening section after the wet treatment from flowing to outside the discharging path.

By using this configuration, the treatment liquid comes into contact only with the object to be treated and is therefore effectively utilized. Further, because the treatment liquid after use is immediately removed to outside the system, inconveniences in the treated object caused by the treatment liquid after use can be eliminated.

The wet treatment liquid feed nozzle of the invention may be provided with means for imparting an ultrasonic wave to the wet treatment liquid.

According to this nozzle, it is possible to impart an ultrasonic oscillation via the wet treatment liquid appropriately to the object to be wet-treated, leading, for example in washing, to a remarkable improving effect of cleanliness.

The wet treatment apparatus of the invention comprises at least:

a wet treatment liquid feed nozzle comprising a nozzle assembly which has an introducing path having an introducing port for introducing a wet treatment liquid at an end thereof, a discharging path having a discharging port for discharging the wet treatment liquid after a wet treatment to outside the wet treatment system and an opening section opening to an object to be wet-treated provided at a crossing section formed by causing the introducing path and the discharging path to cross at the other ends thereof; and pressure control means for controlling a difference between pressure of the wet treatment liquid in contact with the object to be wet-treated and the atmospheric pressure so as to prevent the wet treatment liquid in contact with the object to be wet-treated via the opening section after the wet treatment from flowing to outside the discharging path;

means for causing a relative displacement of the wet treatment liquid feed nozzle and the object to be wet-treated;

a wet treatment liquid feed source; and

means for feeding a wet treatment liquid from the wet treatment liquid feed source to the introducing port of the wet treatment liquid feed nozzle.

According to the wet treatment apparatus of the invention, it is possible to optimize the relative position of the wet treatment liquid feed nozzle and the object to be wet-treated, and hence to accomplish a wet treatment while easily preventing leakage of the wet treatment liquid and moving throughout the entire surface of the object to be wet-treated.

When moving the wet treatment liquid feed nozzle relatively to the object to be wet-treated, in a structure in which the nozzle assembly and the pressure controller are integrally formed, it suffices to move the integral wet treatment liquid feed nozzle, and in a structure in which a part of the pressure controller is composed, for example, of a large-sized pump, it is not necessary to move the pressure controller, but it suffices to move only the nozzle assembly.

The wet treatment method of the invention comprises the steps of:

gradually feeding a set treatment liquid from a wet treatment liquid feed nozzle to an object to be wet-treated while causing a relative displacement of the object to be wet-treated and the wet treatment liquid feed nozzle, and discharging the wet treatment liquid fed from the wet treatment liquid feed nozzle to the object to be wet-treated without causing the wet treatment liquid to be in contact with portions other than the portion to which the wet treatment liquid has been fed, by controlling a difference between the pressure of the wet treatment liquid in contact with the object to be wet-treated and the atmospheric pressure.

According to the wet treatment liquid feed nozzle of the invention, it is possible to apply wet treatment to the entire surface of even an object to be wet-treated larger in size than the wet treatment liquid feed nozzle by causing a relative displacement of the object to be wet-treated and the wet treatment liquid feed nozzle.

The wet treatment liquid feed nozzle of the invention may be provided with means for imparting an ultrasonic wave to the wet treatment liquid.

5

According to the wet treatment liquid feed nozzle of the invention, it is possible to effectively apply a wet treatment to an object to be wet-treated by imparting an ultrasonic wave via the wet treatment liquid to the object to be treated.

In the wet treatment liquid feed nozzle of the invention, a portion of a ceiling opposite to the treatment surface of the object to be wet-treated should preferably be formed into a waved shape having a plurality of steps, and a plurality of ultrasonic elements should preferably be provided at an angle to the treatment surface of the object to be wet-treated on the stepped portion.

By using this structure, the gap between the ultrasonic elements and the object to be treated becomes substantially uniform, and it is possible to cause the ultrasonic vibration to act uniformly on the object to be treated.

In the wet treatment liquid feed nozzle of the invention, two introducing paths may be formed to the right and the left of the crossing section, with the discharging path in between.

By using this nozzle, the wet treatment liquid is fed in opposite directions from the right and the left introducing paths, further reducing leakage of the treatment liquid.

In the wet treatment liquid feed nozzle of the invention, two discharging paths may be formed to the right and the left of the crossing section, with the introducing path in between.

By using this nozzle, the wet treatment liquid after use is discharged through the right and the left discharging paths, thus reducing leakage of the treatment liquid.

The wet treatment liquid feed nozzle may be provided with a measuring section capable of measuring the length of the distance to the wet treatment surface of the object to be wet-treated.

With this nozzle, it is possible to accurately determine the distance to the object to be wet-treated, thus ensuring accurate control of the flow of the wet treatment liquid.

Further, another embodiment of the wet treatment liquid feed nozzle of the invention comprises an introducing path having at an end an introducing port for introducing a wet treatment liquid, a discharging path having at an end a discharging port for discharging the wet treatment liquid after a wet treatment to outside the wet treatment system, a crossing section formed by causing the introducing path and the discharging path to cross at the other ends, and an opening section opening in a mesh shape toward an object to be wet-treated, provided at the crossing section.

According to this wet treatment liquid feed nozzle of the invention, in which the opening has a mesh shape, the wet treatment liquid is prevented from dropping by surface tension of the wet treatment liquid even when the wet treatment liquid feed nozzle is kept away from the object to be wet-treated.

A further embodiment of the wet treatment liquid feed nozzle of the invention comprises an introducing path having at an end an introducing port for introducing a wet treatment liquid, a discharging path having at an end a discharging port for discharging the wet treatment liquid after a wet treatment to outside the wet treatment system, a crossing section formed by causing the introducing path and the discharging path to cross at the other ends, an opening section opening in a mesh shape toward an object to be wet-treated, provided at the crossing section, and cilia or a film provided around the opening section in parallel with the normal of a treatment surface of the object to be wet-treated.

According to the nozzle of this configuration, leakage of the wet treatment liquid in contact with the treatment surface of the object to be treated to outside the system can be prevented by the cilia or the film.

6

Another embodiment of the wet treatment liquid feed nozzle of the invention comprises an introducing path having at an end an introducing port for introducing a wet treatment liquid, a discharging path having at an end a discharging port for discharging the wet treatment liquid after a wet treatment to outside the wet treatment system, a crossing section formed by causing the introducing path and the discharging path to cross at the other ends, an opening section opening in a mesh shape toward an object to be wet-treated, provided at the crossing section, and at least an auxiliary path communicating with the crossing section between the discharging path and the object to be wet-treated on the side of the discharging path.

According to this wet treatment liquid feed nozzle of the invention, when the treatment liquid at the crossing section is in short, it is possible to keep pressure balance between the pressure of the wet treatment liquid and the atmospheric pressure by injecting the treatment liquid by the use of an auxiliary path communicating with the crossing section at which the introducing path and the discharging path cross each other.

Further, another embodiment of the wet treatment liquid feed nozzle of the invention comprises an introducing path having at an end an introducing port for introducing a wet treatment liquid, a discharging path having at an end a discharging port for discharging the wet treatment liquid after a wet treatment to outside the wet treatment system, a crossing section formed by causing the introducing path and the discharging path to cross at the other ends, an opening section opening in a mesh shape toward an object to be wet-treated, provided at the crossing section, and a parallel flow section permitting flow of the wet treatment liquid provided in parallel with the treatment surface of the object to be wet-treated.

According to this wet treatment liquid feed nozzle of the invention, there occurs no disturbance in the flow of the wet treatment liquid after use and the wet treatment liquid introduced anew from the introducing port, ensuring efficient replenishing.

Another embodiment of the wet treatment liquid feed nozzle of the invention comprises an introducing path having at an end an introducing port for introducing a wet treatment liquid, a discharging path having at an end a discharging port for discharging the wet treatment liquid after a wet treatment to outside the wet treatment system, a crossing section formed by causing the introducing path and the discharging path to cross at the other ends, an opening section opening toward an object to be wet-treated, provided at the crossing section, and an outer surface of the periphery of the opening section made parallel to the treatment surface of the object to be wet-treated.

According to this wet treatment liquid feed nozzle of the invention, there is available a wide contact surface between the wet treatment liquid and the object to be wet-treated, thus leading to a higher treatment efficiency.

Further, another embodiment of the wet treatment liquid feed nozzle of the invention comprises an introducing path having at an end an introducing port for introducing a wet treatment liquid, a discharging path having at an end a discharging port for discharging the wet treatment liquid after a wet treatment to outside the wet treatment system, a crossing section formed by causing the introducing path and the discharging path to cross at the other ends, an opening section opening in a mesh shape toward an object to be wet-treated, provided at the crossing section, and a sealing member for sealing the crossing section from outside provided on a peripheral edge of the opening section, in a state in contact

with the object to be wet-treated or with a support for supporting the object to be wet-treated.

According to this wet treatment liquid feed nozzle of the invention, it is possible to seal the portion to be treated of the object to be treated from outside, thus permitting complete prevention of leakage of the liquid.

A wet treatment apparatus of the invention comprises at least a wet treatment liquid feed nozzle or a wet treatment liquid feed nozzle apparatus of any of the aforesaid embodiments; means for causing a relative displacement of the wet treatment liquid feed nozzle or the wet treatment liquid feed nozzle apparatus; a wet treatment liquid feed source; and means for feeding from the wet treatment liquid feed source to the introducing port of the wet treatment liquid feed nozzle.

According to this wet treatment apparatus, it is possible to appropriately treat the entire surface to be treated of the object to be treated larger in size than the nozzle or the nozzle apparatus by causing a relative displacement of the nozzle or the nozzle apparatus of any of the aforesaid embodiments, to optimize the distance between the nozzle or the nozzle apparatus and the object to be treated, and to appropriately keep the wet treatment liquid.

A further embodiment of the fluid treatment apparatus of the invention comprises a fluid treating path for bringing fluid introduced from an opening and returning the treating fluid to the opening; an introducing path for introducing the treating fluid to the fluid treating path; and a discharging path for discharging the treating fluid brought back from the fluid treating path into the opening.

According to the fluid treatment apparatus of the invention, the consumption of the treating fluid can be reduced to under a tenth the conventional consumption of the same.

The scope of this treatment covers washing with a liquid, etching, polishing, electroless plating, coating, development and stripping of resist of an object to be treated, patterning of a thin film, and analysis of a surface deposit. In other words, the fluid treatment apparatus of the invention is applicable for a washing apparatus, an etching apparatus, a polishing apparatus, an electroless plating apparatus, an apparatus for coating, developing and stripping of resist, a thin film patterning apparatus, and an analyzer.

To apply in a washing apparatus, an etching apparatus, a polishing apparatus, a plating apparatus, or a resist coating apparatus, it suffices to feed a washing liquid, an etching liquid, a polishing liquid, a plating liquid, or a resist stripping liquid, respectively, to a fluid treating path as a treating fluid.

To use as a resist coating apparatus, it suffices to feed a fluid resist as a treating fluid to the fluid treating path, and in order to harden the resist, it suffices to irradiate a light onto the resist by providing light irradiating means as described later (infrared-ray irradiating means, for example).

To achieve a developing apparatus, it suffices to provide, for example, laser irradiating means as light irradiating means, and to irradiate a laser onto the resist through a pattern mask.

A thin film patterning apparatus may be achieved by opening the resist, and then feed a CVD gas to the fluid treating path. For optical CVD, it suffices to provide light irradiating means.

In the case of an analyzer, it suffices to feed a high-purity (for example, an impurity concentration of a few ppt) inert gas to the fluid treating path, incorporate substances to be measured on the object to be treated into the gas, and feed the incorporated gas from the discharging path into an external analyzer to analyze the kinds and the number of elements to be measured.

When using for any of the aforesaid applications, it is convenient to build the fluid treatment apparatus as follows. After bringing a treating fluid introduced from the opening into contact with the object to be treated, a fluid treating path for bringing the treating fluid back to the opening, an introducing path for introducing the treating fluid to the fluid treating path, and a discharging path for discharging the treating fluid brought back from the fluid treating path into the opening are provided, and light irradiating means for irradiating a light onto the treating fluid is provided in the fluid treating path.

According to the fluid treatment apparatus of the invention, it is possible to reduce the consumption of the treating fluid to under a tenth the conventional consumption, and to improve the light irradiation efficiency.

When using the fluid treatment apparatus of the invention, in order to bring the treating liquid back to the opening after bringing the treating fluid introduced from the opening into contact with the object to be treated, it suffices to appropriately adjust the diameter of the opening, the distance between the object to be treated and the opening, and the pressure of the treating fluid, and to previously determine these values for each fluid treatment apparatus.

For further simplification, it suffices to provide pressure control means for bringing the treating fluid back to the opening of the fluid treating path by controlling the difference between the pressure of the treating fluid in contact with the object to be treated and the atmospheric pressure.

Any of a visible light and a non-visible light may be used as a light. For example, ultraviolet rays, infrared rays, or a laser beam (such as excimer laser beam) are used appropriately in response to the purpose of treatment of the object to be treated.

When the light irradiating means is detachably provided in the fluid treating path, it is possible to impart general-purpose property because of the applicability as a washing apparatus provided with an ultrasonic element having a high washing efficiency by detaching the light irradiating means and attaching the ultrasonic element, thus providing an economic merit.

The washing treatment system of the invention comprises a gas treating path for bringing a treating gas introduced from an opening and returning the treating gas to the opening; an introducing path for introducing the treating gas to the gas treating path; a discharging path for discharging the treating gas brought back from the gas treating path into the opening; and light irradiating means for irradiating a light onto the treating gas in the gas treating path; the gas treating apparatus communicating with a washing treatment apparatus for washing the object to be treated having been treated in the gas treating apparatus.

As a washing treatment apparatus, it is desirable to use a washing treatment apparatus comprising a washing treating path for bringing a treating liquid introduced from an opening and returning the treating liquid to the opening; an introducing path for introducing the treating liquid to the washing treating path; and a discharging path for discharging the treating liquid brought back from the washing treating path into the opening.

It is needless to mention that this washing treatment apparatus should preferably be provided with pressure control means bringing the washing liquid back to the opening of the washing treating path by controlling the difference between the pressure of the washing liquid in contact with the object to be treated and the atmospheric pressure.

Further, in the invention, the light is irradiated at a higher irradiating efficiency by irradiating the light by the light irra-

diating means onto the treating fluid, thereby improving the ozone producing efficiency and the sterilizing rate in the treating fluid.

In the invention, the distance between the light irradiating means and the object to be treated is far shorter than in the conventional art. It is therefore possible to feed ozone to the object to be treated before exhaustion of the life of ozone, thus leading to an efficient treatment of the object to be treated. In the fluid treatment apparatus of the invention, the opening area of the opening may be variable.

For example, in a semiconductor wafer, the diameter of the object to be treated may vary. In this case, feeding the treatment fluid always in a constant rate, in spite of the variation in diameter requiring a varied amount of treatment fluid from the opening to the object to be treated would be a waste of the treatment fluid. By making the opening area variable in response to the diameter of the object to be treated, therefore, the amount of feed of the treatment fluid can be reduced for a smaller diameter, contributing to further reduction of the consumption of the treatment fluid. In order to make the opening area variable, it suffices to provide a movable cover onto the opening.

In the fluid treatment apparatus of the invention, a liquid sump should preferably be provided around the opening.

When such a liquid sump is provided around the opening, the treatment fluid after treatment is collected uniformly into the liquid sump from the portions surrounding the opening, not flowing through the discharging path alone, and is discharged from the liquid sump. As a result, the flow of the treatment fluid becomes uniform, permitting uniform treatment of the object to be treated.

Because the treatment fluid in the fluid treating path, which may leak to outside the fluid treatment apparatus, is once collected in the liquid sump, it is possible to prevent the fluid from leaking to outside.

Provision of fine grooves causing capillary action in the liquid sump is more effective for preventing leakage of the treatment liquid to outside since the treatment fluid collected in the liquid sump is sucked up in the fine grooves by the capillary action.

Further, in the fluid treatment apparatus of the invention, the fluid treating path and the discharging path should preferably communicate with each other via the liquid sump.

When treating the object to be treated by means of the treatment fluid, bubbles may be produced in the treatment fluid. For example, the treatment fluid reacts with the object to be treated or a substance adhering to, or formed on, the surface thereof, generating a gas as a reaction product.

As the treatment fluid has the discharging path as the only exit, the generated gas has no escape and remains contained in the treatment fluid. The gas, if present in the treatment liquid, adheres to the surface of the object to be treated and causes a delay in the progress of the essential reaction between the treatment fluid and the surface of the object to be treated, thus leading, for example, to a poorer washing efficiency of the object to be treated. This makes pressure control in the fluid treating path difficult. Further, when imparting an ultrasonic wave to the treatment liquid still containing the gas in an amount exceeding the necessity, cavitation causes the ultrasonic wave to show a considerable damping, causing a decrease in the power serving to remove particles, thus making it impossible to achieve a sufficient washing effect.

In the invention, in contrast, there is provided a pressure adjusting port for positional adjustment of the gas-liquid interface communicating with the fluid treating path. By adjusting the pressure at the pressure adjusting port, therefore, it is possible to form a gas phase and a liquid phase in the

fluid treating path. As a result, the gas produced by the treatment of the object to be treated is transferred from the liquid phase to the gas phase, and is as required discharged from the gas phase through the pressure adjusting port to outside. This permits control of the amount of gas present in the treatment fluid, thus making it possible to derive necessary and sufficient cavitation effect.

When imparting an ultrasonic wave, the gas-liquid interface between the gas and liquid phases forms an oscillation free interface, resulting in a more remarkable cavitation effect, thus assisting achievement of an improved washing effect.

By appropriately adjusting the pressure at the pressure adjusting port, it is possible to arbitrarily adjust the ratio of the gas phase to the liquid phase. By ensuring that the gas phase does not communicate directly with the discharging path, the gas does not flow into the discharging path, but is discharged exclusively through the pressure adjusting port. The pressure adjusting port should preferably be provided at the ceiling of the fluid treatment apparatus.

On the other hand, the treatment liquid after the treatment is collected in the liquid sump provided around the opening, and is discharged through the discharging path. When the liquid sump communicates with the discharging path through capillary fine grooves, the treatment liquid collected in the liquid sump after the treatment is sucked up into the discharging path under the effect of capillary phenomenon, without dropping from the liquid sump.

In the invention, the treatment fluid is not limited to any particularly form, but may be a gas a liquid, a gas-liquid mixture, any of various suspensions, or a paste.

According to the fluid treatment apparatus of the invention, the consumption of the treatment fluid can be reduced to under a tenth the conventional consumption, thus permitting improvement of the light irradiating efficiency.

According to the washing treatment system of the invention, the consumption of the treatment fluid can be reduced to under a tenth the conventional one, thus permitting achievement of a higher degree of treatment.

BRIEF DESCRIPTION OF THE DRAWINGS

FIG. 1 is a sectional side view of a wet treatment liquid feed nozzle of an embodiment of the invention;

FIG. 2A is a bottom view of the embodiment shown in FIG. 1; and FIG. 2B is a plan view of the embodiment shown in FIG. 1;

FIG. 3 is a conceptual view of a wet treatment liquid feed nozzle of another embodiment of the invention;

FIG. 4 is a sectional side view of a wet treatment liquid feed nozzle of a further embodiment of the invention;

FIG. 5A is a bottom view of the embodiment shown in FIG. 4; and FIG. 5B is a plan view of the embodiment shown in FIG. 4;

FIG. 6 is a plan view of a wet treatment liquid feed nozzle of a further embodiment of the invention;

FIG. 7 is a sectional side view of a wet treatment liquid feed nozzle of a further embodiment of the invention;

FIG. 8A is a sectional side view, and FIG. 8B is a plan view of a further embodiment of the invention;

FIG. 9A is a sectional side view, and FIG. 9B is a plan view, respectively, of a further embodiment of the invention;

FIG. 10A is a sectional side view, and FIG. 10B is a plan view, respectively, of a further embodiment of the invention;

FIG. 11A is a sectional side view, and FIG. 11B is a plan view, respectively, of a further embodiment of the invention;

11

FIG. 12A is a sectional side view and FIG. 12B is a plan view of a wet treatment apparatus of an embodiment of the invention;

FIGS. 13A, 13B and 13C are sectional plan views illustrating a washing apparatus of an embodiment of the invention;

FIGS. 14A, 14B and 14C are sectional side views illustrating the washing apparatus of the embodiment of the invention;

FIGS. 15A, 15B and 15C are sectional side views illustrating a washing apparatus of another embodiment of the invention;

FIG. 16 is a sectional view of a wet treatment apparatus of an embodiment of the invention;

FIG. 17 is a sectional view of a wet treatment apparatus of another embodiment of the invention;

FIG. 18A is a graph illustrating results of an example and a comparative example of rotary washing, and FIG. 18B, of transfer washing;

FIG. 19 is a sectional side view of a wet treatment liquid feed nozzle of an embodiment of the invention;

FIG. 20A is a bottom view of the embodiment shown in FIG. 19; and FIG. 20B is a plan view of the embodiment shown in FIG. 19;

FIG. 21 is a sectional side view of a wet treatment liquid feed nozzle of another embodiment of the invention;

FIG. 22A is a bottom view of the embodiment shown in FIG. 21; and FIG. 22B is a plan view of the embodiment shown in FIG. 21;

FIG. 23A is a sectional side view and FIG. 23B is a plan view, respectively, of a further embodiment of the invention;

FIG. 24A is a sectional side view and FIG. 24B is a plan view, respectively, of a further embodiment of the invention;

FIG. 25A is a sectional side view and FIG. 25B is a plan view, respectively, of a further embodiment of the invention;

FIG. 26 is a sectional side view of a wet treatment liquid feed nozzle of a further embodiment of the invention;

FIG. 27 is a sectional side view of a wet treatment liquid feed nozzle of a further embodiment of the invention;

FIG. 28A is a sectional side view and FIG. 28B is a plan view, respectively, of a further embodiment of the invention;

FIG. 29A is a sectional side view and FIG. 29B is a plan view in which the mesh 265 is omitted, respectively, of a further embodiment of the invention;

FIG. 30A is a sectional side view and FIG. 30B is a plan view in which the mesh 265 is omitted, respectively, of a further embodiment of the invention;

FIG. 31A is a sectional side view and FIG. 31B is a plan view, respectively, of a further embodiment of the invention;

FIG. 32 is a sectional side view of a wet treatment liquid feed nozzle of a further embodiment of the invention;

FIG. 33 illustrates sectional side view of a wet treatment liquid feed nozzle of a further embodiment of the invention: FIG. 33A is an example in which it is brought into contact with a support stand, and FIG. 33B is an example in which it is brought into contact with an outer edge of the object to be wet-treated;

FIG. 34A is a sectional side view and FIG. 34B is a plan view, respectively, of a further embodiment of the invention;

FIG. 35 is a sectional view of a wet treatment liquid feed nozzle of an embodiment of the invention;

FIG. 36A is a bottom view of a wet treatment liquid feed nozzle of a further embodiment of the invention as viewed from below; and FIG. 36B is a plan view of the same as viewed from above;

FIG. 37 is a sectional side view of a wet treatment liquid feed nozzle apparatus of a further embodiment of the invention;

12

FIG. 38 is a sectional side view of a wet treatment liquid feed nozzle apparatus of another embodiment of the invention;

FIG. 39A is a graph illustrating results of an example of rotary washing, and FIG. 39B, of transfer washing;

FIG. 40 is a sectional side view of a fluid treatment apparatus of an embodiment of the invention;

FIG. 41A is a bottom view of the embodiment shown in FIG. 40, and FIG. 41B is a plan view of the embodiment shown in FIG. 40;

FIG. 42 is a conceptual view of a fluid treatment apparatus of another embodiment of the invention;

FIG. 43 is a sectional side view of a fluid treatment apparatus of a further embodiment of the invention;

FIG. 44 is a plan view of a fluid treatment apparatus of a further embodiment of the invention;

FIG. 45 is a sectional side view of a washing treatment apparatus of a further embodiment of the invention;

FIG. 46 is a sectional side view of a further embodiment of the invention;

FIG. 47 is a sectional view illustrating a further embodiment of the fluid treatment apparatus;

FIG. 48 is a sectional view illustrating a further embodiment of the fluid treatment apparatus;

FIG. 49 is a sectional view illustrating a further embodiment of the fluid treatment apparatus;

FIG. 50A is a sectional side view of a washing treatment system of an embodiment of the invention; and FIG. 50B is a front view of the same;

FIG. 51 is a sectional side view of a washing treatment system of another embodiment of the invention;

FIG. 52A is a side view and FIG. 52B is a plan view, respectively, of a washing apparatus of a conventional case;

FIG. 53 is an enlarged view of a wet treatment liquid feed nozzle shown in FIG. 52;

DESCRIPTION OF THE PREFERRED EMBODIMENT

A first embodiment of the wet treatment liquid feed nozzle of the present invention is illustrated in FIGS. 1 and 2.

FIG. 1 is a sectional side view; FIG. 2A is a bottom view, and FIG. 2B is a plan view.

In FIGS. 1, 2 is a wet treatment liquid feed nozzle. This wet treatment liquid feed nozzle 2 comprises mainly a nozzle assembly 50 and a pressure controller 13.

More particularly, the nozzle assembly 50 comprises an introducing path 10 having an introducing port 7 for introducing a wet treatment liquid 5 at an end thereof, a discharging path 12 having a discharging port 15 for discharging the wet treatment liquid 5 after a wet treatment to outside the wet treatment system and an opening section 6 opening to an object to be wet-treated (substrate) 1 provided at a crossing section 14 formed by causing the introducing path 10 and the discharging path 12 to cross at the other ends thereof. A pressure controller 13 is provided at least on the side of the discharging path 12 so as to take balance between the pressure of the wet treatment liquid in contact with the open air of the opening section 6 (including the surface tension of the wet treatment liquid and the surface tension of the treated surface of the object to be wet-treated) and the atmospheric pressure and so that the wet treatment liquid having been in contact with the object to be wet-treated 1 after a wet treatment.

In this embodiment, the pressure controller 13 comprises a reduced-pressure pump provided on the discharging port 15 side. By controlling the sucking pressure of the reduced-pressure pump, the pressure of the wet treatment liquid, and

13

hence the difference between the atmospheric pressure and the pressure of the wet treatment liquid are controlled.

More particularly, with the use of the reduced-pressure pump for the pressure controller **1** on the discharging path **12** side, the force of sucking the wet treatment liquid of the crossing section **14** is controlled by means of this reduced-pressure pump to take balance between the pressure of the wet treatment liquid in contact with the open air at the opening section **6** (including the surface tension of the wet treatment liquid and the surface tension of the treated surface of the object to be wet treated) and the atmospheric pressure. That is, by assuming that the relationship between the pressure P_w of the wet treatment liquid in contact with the open air at the opening section **6** (including the surface tension of the wet treatment liquid and the surface tension of the treated surface of the object to be wet-treated) and the atmospheric pressure P_a is $P_w \approx P_a$, the wet treatment liquid fed to the substrate **1** via the opening section **6** and in contact with the substrate **1** is discharged into the discharging path **12** without leaking to outside the wet treatment liquid feed nozzle.

The ceiling of the crossing section should preferably have a shape producing Coanda effect, which makes it easier to take balance of pressure.

In other words, the wet treatment liquid **5'** fed from the wet treatment liquid feed nozzle to the object to be wet-treated (substrate) **1** is removed from the object to be treated (substrate) without being brought into contact with portions other than the portion to which the wet treatment liquid has been fed (opening section **6**).

In this embodiment, as is known from FIG. 2, there introducing paths **10** are provided in parallel with each other.

Three discharging paths **12** are also provided in parallel with each other to correspond to the introducing paths **10**. By providing a plurality of introducing paths and discharging paths in the longitudinal direction of the wet treatment liquid feed nozzle **2** (up-down direction in FIG. 2) as described above, it is possible to achieve a uniform washing efficiency in the longitudinal direction.

The surface of the wet treatment liquid feed nozzle **2** should preferably be formed with stainless steel having an outermost passive film comprising chromium oxide alone, stainless steel provided with a mixed film of aluminum oxide and chromium oxide on the surface thereof, or against ozone water, titanium having an electrolytically polished surface, because of the absence of elution of impurities into the washing liquid. A surface in contact with the liquid, made of quartz, is suitable for feeding of all wet treatment liquids except for fluoric acid.

The angle θ_1 between the introducing path **10** and the substrate **1** can be appropriately selected within a range of from 0 to 90°.

On the other hand, the angle θ_2 between the discharging path **12** and the substrate **1** can be selected appropriately within a range of from 0 to 90°.

The angle θ_1 between the introducing path **10** and the substrate **1** and the angle θ_2 between the discharging path **12** and the substrate **1** are arbitrarily set in view of the contact efficiency of the wet treatment liquid with the substrate, the discharging efficiency of the treated product, the shape of the crossing section, the shape of the opening section, the area thereof and the like.

The distance H_2 between the portion of the ceiling **18** of the crossing section **14** facing the object to be wet-treated (substrate) **1** the closest thereto, on the one hand, and the opening section **6** closest to the object to be wet-treated (substrate) **1**, on the other hand, should preferably be within a range of from 1 to 50 mm, or more preferably, from 2 to 20 mm. A distance

14

H_2 smaller than 1 mm makes it difficult for the wet treatment liquid to flow, leading to poorer contact efficiency of the wet treatment liquid with the substrate and discharging efficiency of the treated substrate. A distance H_2 of over this range causes presence of wet treatment liquid in a large quantity in the wet treatment liquid feed nozzle **2**, leading to a heavier wet treatment liquid feed nozzle **2**, thus causing troubles in the displacement of the wet treatment liquid feed nozzle **2**.

The distance H_1 (distance between the object to be treated **1** and the opening section **6**) should preferably be within a range of from 0.1 to 5 mm, or more preferably, from 1 to 2 mm.

The value of H_1 may sometimes vary because of vibration of the transfer machine or one uneven surface of the substrate. It is therefore desirable to provide a sensor for measuring H_1 and means for separating or bringing nearer the wet treatment liquid feed nozzle **2** in response to a signal from the sensor relative to the object to be treated. At least two such length measuring units should preferably be provided at two positions with the nozzle assembly **50** in between in FIG. 2A. This is with a view to ensuring accurate control of the flow of the wet treatment liquid while keeping a constant distance between the object to be wet-treated **1** and the opening **6** for the entire wet treatment liquid feed nozzle. The length measuring accuracy should preferably be smaller than 0.1 mm. Because the lower limit of the distance between the wet treatment liquid feed nozzle and the object to be wet-treated should preferably be 0.1 mm, and this distance should accurately be controlled.

In FIG. 1, **19** is a contact preventing gas ejecting section. The contact preventing gas ejecting section is provided at least in any of the introducing path **10** and the discharging path so that the opening section **6** does not come into contact with the object to be wet-treated upon lifting up the object to be wet-treated, because of unbalance between the pressure of the wet treatment liquid in contact with the open air at the opening section and the atmospheric pressure. The gas used for this purpose should preferably be nitrogen gas or an inert gas, or may be air free from impurities (particularly water).

In this embodiment, balance between the pressure of the wet treatment liquid in contact with the object to be wet-treated as shown in FIG. 3 and the atmospheric pressure may be controlled by a simpler system.

The pressure controller **1** on the discharging path **12** side controls the sucking force of the wet treatment liquid at the crossing section **14** caused by the weight of the wet treatment liquid itself based on the syphon principle produced by the difference in height between the opening section **6** and an end of the discharging path **12** (the end open to the open air), to take balance between the pressure of the wet treatment liquid in contact with the open air at the opening section **6** (including the surface tension of the wet treatment liquid and the surface tension of the treated surface of the object to be wet-treated) and the atmospheric pressure.

More specifically, a water discharging unit **27** is connected to the discharging port **15** of the wet treatment liquid feed nozzle **2** via a water discharge piping **25**, and the water discharging unit **27** is held by a holder **28**. The holder **28** is attached to, for example, a street slidably vertically in the drawing.

A valve **30** is attached to the leading end of the water discharging unit **27**. The valve **30** is opened and closed by a valve drive **29**.

On the other hand, the embodiment shown in FIG. 3 has a controller **22** which drives a robot and the valve drive **29** on the basis of a signal from the pressure sensor for detecting the pressure of the wet treatment liquid in the introducing path

15

10. The robot is for moving up and down the holder **28**. When the valve is open, the pressure of the wet treatment liquid in contact with the object to be wet-treated can be controlled through vertical displacement of the water discharging unit **27**.

A second embodiment of the wet treatment liquid feed nozzle of the invention is illustrated in FIG. **4**.

In FIG. **4**, **2** is a wet treatment liquid feed nozzle. The wet treatment liquid feed nozzle **2** has the following configuration.

The wet treatment liquid feed nozzle **2** comprises an introducing path **10** having an introducing port **7** for introducing a wet treatment liquid **5** at an end thereof, a discharging path **12** having a discharging port **15** for discharging the wet treatment liquid **5'** after a wet treatment to outside the wet treatment system and an opening section **6** opening to an object to be wet-treated (substrate) provided at a crossing section **14** formed by causing the introducing path **10** and the discharging path **12** to cross at the other ends thereof, and an ultrasonic element **16** provided opposite to the object to be wet-treated, for imparting an ultrasonic wave during wet treatment of the object to be wet-treated. The wet treatment liquid feed nozzle has also an attachment guide **20** for detachably attaching the ultrasonic element **16** and the ultrasonic element **16** slides vertically in FIG. **4** along an attachment guide **20** to permit attachment and detachment. Further, there is provided, on the discharging path **12** side, a pressure controller **13** so as to ensure flow of the wet treatment liquid having been in contact with the object to be treated after completion of the wet treatment through control of balance between the pressure of the wet treatment liquid in contact with the open air at the opening section **6** (including the surface tension of the wet treatment liquid and the surface tension of the treated surface of the object to be treated) and the atmospheric pressure. This pressure controller is the same as the pressure controller described previously.

FIG. **5A** is a bottom view, and FIG. **5B** is a plan view of the wet treatment liquid feed nozzle shown in FIG. **4**.

The ultrasonic element **16** provides an output of ultrasonic wave having a frequency of at least 19 KHz. It should preferably be a megasonic ultrasonic element having a frequency within a range of from 0.2 to 5 MHz.

The angle θ_3 between the ultrasonic element **16** and the substrate **1** can be appropriately selected within a range of from 0 to 90°, or preferably, from 2 to 45°.

When a megasonic ultrasonic wave is imparted as described above, there is available a remarkable improving effect of cleanliness.

FIG. **5** illustrates a case where a single ultrasonic element **16** is provided; and FIG. **6** illustrates a case where a plurality of such elements are provided. In the example shown in FIG. **6**, three ultrasonic elements **16a**, **16b** and **16c** in the longitudinal direction (up-down direction in FIG. **6**). When a plurality of ultrasonic elements are provided, it is possible to appropriately change the ultrasonic frequency or output, thereby permitting uniform washing.

These elements may be arranged either in the longitudinal direction or in the transverse direction. A plurality of ultrasonic elements may be arranged both in the longitudinal and transverse directions.

As shown in FIG. **7**, the second embodiment comprises means for controlling the difference between the pressure of the wet treatment liquid and the atmospheric pressure, a reduced-pressure pump (a water discharge pump in this example) **17** provided in the downstream of the discharging path **12**, and a feed pump **33** provided in the upstream of the introducing path **10**. It may further comprise a pressure sensor

16

13 for detecting the pressure of the wet treatment liquid in contact with the object to be wet-treated, and a controller **32** for controlling drive of the reduced-pressure pump **17** and the feed pump **33** in accordance with a signal from the pressure sensor **31**. Which the embodiment shown in FIG. **1** is applicable when the pressure of the wet treatment liquid is constant on the introducing port **7** side, the present embodiment, in which the pressure of the wet treatment liquid on the introducing side is detected, permits achievement of accurate pressure control, giving an excellent cleanliness.

In a third embodiment of the wet treatment liquid feed nozzle of the invention shown in FIG. **8**, the portion of the ceiling opposite to the treated surface of the object to be wet-treated has a plurality of steps **40a**, **40b**, **40c**, **41a**, **41b** and **41c**. In FIG. **8**, the ceiling steps **40a**, **40b** and **40c** inclining toward the right down are provided with ultrasonic elements **16a**, **16b** and **16c**, respectively.

Since, in this embodiment, the ultrasonic elements **16a**, **16b** and **16c** are provided on the right-down portions of the ceiling, it is possible to impart an ultrasonic wave so as to be opposite to the wet treatment liquid fed from the introducing path **10** to the crossing section **14**. Because the ceiling has a stepped shape, the gaps formed between the ultrasonic element and the object to be wet-treated are substantially uniform, thereby permitting uniform washing.

The elements **16a**, **16b** and **16c** may be composed of ultrasonic elements with different frequencies.

In the embodiment shown in FIG. **8**, a rectifying section **4** for achieving a uniform flow of the wet treatment liquid in each of the portions of the introducing path **10** and the discharging path **12** facing the crossing section **14**. The rectifying section **4** may be formed with a filter and a slit, for example.

FIG. **9** illustrates a fourth embodiment of the wet treatment liquid feed nozzle of the invention.

In the fourth embodiment, a discharging path **12** is provided vertically to the substrate **1**, and introducing paths **10a** and **10b** are symmetrically arranged with the discharging path **12** in between.

In this embodiment, the wet treatment liquid is fed from the right and left introducing paths **10a** and **10b** to the opposed substrate **1**. This leads to a further smaller leakage of washing liquid, and the washing liquid after washing is more rapidly carried away to the discharging path **12**. Ultrasonic wave frequencies may be the same or different for the two ultrasonic elements **16**. The two ultrasonic elements may oscillate in pulses alternately at certain time intervals or simultaneously.

FIG. **10** illustrates a fifth embodiment of the wet treatment liquid feed nozzle of the invention.

In the fifth embodiment, an introducing path **10** is provided vertically to the substrate **1**, and discharging paths **12a** and **12b** are symmetrically arranged with the introducing path **10** in between.

In this wet treatment liquid feed nozzle, both the introducing path and the discharging paths are vertically formed to the substrate.

Now, the first embodiment of the wet treatment apparatus of the invention will be described below.

When a wet treatment apparatus is formed with the use of the wet treatment liquid feed nozzle **2** shown in FIGS. **1** and **2**, the opening section **6** of the wet treatment liquid feed nozzle **2** is arranged to face the substrate **1** and it suffices to provide means for causing a relative displacement of the wet treatment liquid feed nozzle **2** and the substrate **1**, for example, a roller transfer machine (not shown) for transferring the substrate **1**.

There is also provided a wet treatment liquid source and means for feeding the wet treatment liquid from the wet treatment liquid feed nozzle. A heating unit, a temperature adjusting unit and a temperature holding unit should preferably be provided at appropriate positions to cope with the necessity to treat an object to be treated at a temperature within a range of from 70 to 80°C. such as in a resist stripping step.

In FIG. 11, the wet treatment liquid feed nozzles 2aF and 2aB are arranged in pair with the object to be treated held in between to simultaneously carry out a wet treatment of both the surface and the back of the object to be treated.

Three lines including wet treatment liquid feed nozzles (2aF and 2aB) for electrolytic ion water washing (an embodiment of wet treatment), wet treatment liquid feed nozzles (2bF and 2bB) for extra pure water rinsing (wet treatment), and wet treatment liquid feed nozzles (2cF and 2cB) for IPA (isopropyl alcohol) drying, sequentially in the travelling direction of the object to be treated. The pressure controller is not shown in FIG. 11.

The pair of wet treatment liquid feed nozzles 2aF and 2aB are in contact with each other at the both end thereof to form a tunnel-like space as shown in FIG. 11B, and the object to be wet-treated flows therethrough. Therefore, even when the wet treatment liquid from the side of an end surface (s surface perpendicular to the sheet plane in the drawing) of the object to be wet-treated, the wet treatment liquid thus flowing out can be received by the lower wet treatment liquid feed nozzle 2aB.

Because the washing efficiency is higher on the back (lower surface), the ultrasonic element is provided only on the surface (upper surface). When the same wet treatment liquid is employed, A single pressure controller may conduct pressure control.

FIG. 12A is a sectional side view, and FIG. 12B is a plan view, of a case where the object to be wet-treated is vertically moved.

FIG. 13 is a sectional plan view of the washing apparatus as viewed from above. FIGS. 13A, 13B and 13C represent a case where the object to be treated is place upright, and the wet treatment liquid feed nozzle is longitudinally provided at right angles to the travelling direction of the object to be treated 1. The object to be treated 1 is horizontally transferred. In this case, the object to be wet-treated has no up-down relationship and the washing efficiency is the same for the surface as well as for the back. Ultrasonic elements 16 may be provided on the back (FIG. 13C), the surface (FIG. 13B) or the surface and the back (FIG. 13A).

FIG. 14 is a sectional side view of the washing apparatus as viewed from a side. The object to be wet-treated is placed upright and lifted up.

In the case shown in FIG. 14, as in that shown in FIG. 13, the object to be wet-treated has no up-down relationship, and the washing efficiency is the same for the surface as well as for the back. Therefore, the ultrasonic elements 16 may be provided on the back (FIG. 14C), the surface (FIG. 14B), or the surface and the back (FIG. 14A).

FIG. 15 is a sectional side view of the washing apparatus as viewed from a side, with the back as the lower surface, and the surface as the upper surface. In this case, therefore, the object to be wet-treated 1 is placed horizontally, and transferred in the horizontal direction. Since the washing effect is high on the back an arrangement of the ultrasonic elements 16 shown in FIG. 15B is usually used.

Applicable wet treatment liquid include extra-pure water, electrolytic ion water, ozone water, hydrogen water, and the like for the washing step, and for the other wet treatment steps, and etching solution, a developing solution or stripping liquid is suitably used.

FIG. 16 illustrates a variant of the embodiment shown in FIG. 9 of the wet treatment liquid feed nozzle of the invention.

This variant has the same basic structure as that shown in FIG. 9: discharging paths 12a and 12b are provided, with two opposed introducing paths 10a and 10b in between. A difference is that the distance between the exits of the introducing paths 10a and 10b, on the one hand, and the entries of the discharging paths 12a and 12b is shorter than that shown in FIG. 9. As a result, the wet treatment liquid introduced through the introducing paths 10a and 10b is more efficiently discharged to the discharging paths 12a and 12b.

While a structure in which the discharging paths are arranged between the introducing paths in FIG. 16, the charging paths may in contrast be arranged between the discharging paths.

FIG. 17 illustrates a sixth embodiment of the wet treatment liquid feed nozzle of the invention. The reference numeral 16 is an ultrasonic element provided in the introducing path arranged between the discharging paths 12a and 12b so as to impart an ultrasonic wave to the wet treatment liquid.

The wet treatment liquid feed nozzle of this embodiment is suitably applicable to wet treatment of the back of an object to be wet-treated 1 mainly transferred horizontally.

In this embodiment, the introducing path 10 is provided at the center, and discharging paths 12a and 12b are provided on the both sides with the introducing path 10 in between in parallel with the introducing path 10. The exit of the introducing path 10 is slightly lower than the height of the entry of the discharging paths 12a and 12b. The difference k in height should preferably be within a range of from 1 to 2 mm.

The present invention will now be described below in detail by means of examples of substrate washing. It is needless to mention that the invention is not limited to these examples.

EXAMPLE 1

A 500 mm×400 mm rectangular glass substrate was provided.

The substrate surface was stained by immersing the glass substrate into pure water containing Al_2O_3 particles. The number of particles on the entire surface of the substrate after staining was measured, giving a result of 41,630 particles. Only particles having a size of at least 0.5 μm were measured.

After the aforesaid staining, washing was carried out by the transverse displacement method as shown in FIG. 11, by the use of the wet treatment liquid feed nozzle shown in FIG. 1. In this example, however, the back of the substrate was not washed.

Conditions for the wet treatment liquid feed nozzle were as follows:

Conditions for wet treatment liquid feed nozzle:

Nozzle length: 500 mm

Angle θ_1 of introducing path: 45°

Angle θ_2 of discharging path: 45°

Distance from substrate: 1 mm

Opening section width: 10 mm

Washing conditions were as follows.

Washing conditions:

Washing liquid: Electrolytic cathode ion water (pH: 10)

Washing liquid consumption: 12 L/min

Ultrasonic frequency: 1 MHz

Ultrasonic power: 150 W

Substrate feed speed: 20 mm/sec

(Net washing time=Opening dia/feed speed=(4 mm)/
(20 mm/sec)=20 sec

Number of washing runs: One

After washing, there were observed 150 particles.

Comparative Example 1

A 500 mm×400 mm rectangular glass substrate was prepared as in the Example.

The substrate surface was stained by immersing the glass substrate into pure water containing Al_2O_3 particles. The number of particles on the entire surface of the substrate after staining was measured, giving a result of 41,000 particles. Only particles having a size of at least 0.5 μm were measured.

After the aforesaid staining, washing was carried out by the transverse displacement method as shown in FIG. 19B, by the use of the wet treatment liquid feed nozzle shown in FIG. 52A.

Conditions for the wet treatment liquid feed nozzle were as follows:

Conditions for wet treatment liquid feed nozzle:

Nozzle length: 500 mm

Opening section width: 2 mm

Washing conditions were as follows.

Washing conditions:

Washing liquid: Electrolytic cathode ion water (pH: 10)

Washing liquid consumption: 25 L/min

Ultrasonic frequency: 1 MHz

Ultrasonic power: 900 W

Washing time: 20 sec

Number of washing runs: One

After washing, there were observed 640 particles.

The results of the Comparative Example 1 and the Example 1 are shown in FIG. 18B. As is clear from comparison of the both, the Example 1 gave a washing liquid consumption a half that in the Comparative Example 1, and achieved a cleanliness about four times as high as that in the latter. The ultrasonic power was $\frac{1}{6}$.

EXAMPLE 2

Spin washing was carried out in this Example.

A six-inch circular glass substrate was provided.

The substrate surface was stained by immersing the glass substrate into pure water containing Al_2O_3 particles. The number of particles on the entire surface of the substrate after staining was measured, giving a result of 20,140 particles. Only particles having a size of at least 0.5 μm were measured.

After the aforesaid staining, washing was carried out by the rotating displacement method by the use of the wet treatment liquid feed nozzle shown in FIG. 1.

Conditions for the wet treatment liquid feed nozzle were as follows:

Conditions for wet treatment liquid feed nozzle:

Nozzle length: 152 mm

Angle θ_1 of introducing path: 30°

Angle θ_2 of discharging path: 30°

Distance between substrate and opening section: 1 mm

Opening section width: 10 mm

Washing conditions were as follows.

Washing conditions:

Washing liquid: Electrolytic ion water

Washing liquid consumption: 1 L/min

Ultrasonic frequency: 1 MHz

Ultrasonic power: 60 W

Washing time: 10 sec

Substrate revolutions: 300 rpm

After washing, there were observed 13 particles.

Comparative Example 2

A six-inch circular glass substrate was provided as in the Example 2.

The substrate surface was stained by immersing the glass substrate into pure water containing Al_2O_3 particles. The

number of particles on the entire surface of the substrate after staining was measured, giving a result of 19,930 particles. Only particles having a size of at least 0.5 μm were measured.

After the aforesaid staining, spin washing was carried out by the use of the wet treatment liquid feed nozzle shown in FIG. 52A.

Conditions for the wet treatment liquid feed nozzle were as follows:

Conditions for wet treatment liquid feed nozzle:

Nozzle length: 152 mm

Opening section width: 2 mm

Washing conditions were as follows.

Washing conditions:

Washing liquid: Electrolytic cathode ion water

Washing liquid consumption: 10 L/min

Ultrasonic frequency: 1 MHz

Ultrasonic power: 300 W

Washing time: 10 sec

Substrate revolutions: 300 rpm

After washing, there were observed 32 particles.

The results of the Comparative Example 2 and the Example 2 are shown in FIG. 18A. As is clear from comparison of the Comparative Example 2 and the Example 2, even in rotating washing, the Example 2 gave a washing liquid consumption of a tenth that in the Comparative Example 2, an ultrasonic power of a fifth, and a cleanliness about three times as high.

In addition to the foregoing examples, an experiment was carried out with various opening section 6 widths D and various gaps H between the substrate and the wet treatment liquid feed nozzle. So far as the relationship of [pressure of wet treatment liquid] $P_w \geq$ [atmospheric pressure] P_a was satisfied, a high cleanliness as in the Examples 1 and 2 was achieved with a small consumption of the washing liquid.

A seventh embodiment of the wet treatment liquid feed nozzle of the invention is illustrated in FIGS. 19 and 20.

FIG. 19 is a sectional side view; FIG. 20A is a bottom view; and FIG. 20B is a plan view.

In FIG. 19, 102 is a wet treatment liquid feed nozzle.

The wet treatment liquid feed nozzle 102 comprises an introducing path 110 having an introducing port 107 for introducing a wet treatment liquid 105 at an end thereof, a discharging path 112 having a discharging port 115 for discharging the wet treatment liquid 105' after a wet treatment to outside the wet treatment system and an opening section 106 opening to an object to be wet-treated (substrate) 101 provided at a crossing section 114 formed by causing the introducing path 110 and the discharging path 112 to cross at the other ends thereof.

The opening section 106 has a mesh shape as shown in FIG. 20A. In the embodiment shown in FIG. 20A, seven large circles 106L are arranged longitudinally in two rows, and smaller circles 106M and further smaller circles 106S are provided to fill up gaps between large circles, thus achieving the largest possible total opening area.

Because the mesh size is up to a certain level, the wet treatment liquid, coming into contact with the surface of the object to be wet-treated 101, can be prevented from dropping from the opening section under the effect of surface tension even when the wet treatment liquid feed nozzle is separated from the object to be wet-treated 101. As a result, leakage from the crossing section 114 to outside never occurs.

So far as such an effect is available, the shape of mesh is not limited to that shown in FIG. 20A. A shape, a size and a number may appropriately be selected in response to the kind of the wet treatment liquid.

The total opening area should preferably be as large as possible as shown in FIG. 20A because of the possibility to irradiate ultrasonic wave efficiently.

Meshes may be formed by piercing, for example, a metal sheet (such as an SUS316L stainless steel sheet) by punching. Etching technique is also applicable.

In this embodiment, as is clear from FIG. 20, three introducing paths 110 are provided.

Three discharging paths 112 are provided in parallel with the introducing paths 110, respectively. By providing a plurality of introducing paths and discharging paths in the longitudinal direction of the wet treatment liquid feed nozzle 102 (up-down direction in FIG. 20), it is possible to achieve a uniform longitudinal washing efficiency.

The surface of the wet treatment liquid feed nozzle 102 in contact with the liquid should preferably comprises stainless steel having a passive film with an outermost surface consisting of chromium oxide alone for a fluororesin such as PFA or for some particular kinds of wet treatment liquid, stainless steel provided with a mixed film of aluminum oxide and chromium oxide on the surface, or titanium having an electrolytically polished surface for ozone water, with a view to avoiding elution of impurities into the wet treatment liquid. A liquid-contact surface comprising quartz is preferable for any wet treatment liquid except for fluoric acid.

The angle θ_1 between the introducing path 110 and the substrate 101 can appropriately be selected within a range of from 0 to 90°.

On the other hand, the angle θ_2 between the discharging path 112 and the substrate 101 can appropriately be selected within a range of from 0 to 90°.

The angle θ_1 between the introducing path 110 and the substrate 101 and the angle θ_2 between the discharging path 112 and the substrate 101 is a arbitrarily set considering the contact efficiency of the wet treatment liquid with the substrate, the discharge efficiency of the object to be treated, the shape of the crossing section, and the shape and area of the opening section.

The distance H2 between the portion of the ceiling 118 facing the object to be wet-treated (substrate) forming the crossing section 114, which is the closest to the object to be wet-treated (substrate) 101, on the one hand, and the portion of the opening section 106 the closest to the object to be wet-treated (substrate) 101, on the other hand, should preferably be within a range of from 1 to 50 mm, or more preferably, from 2 to 20 mm. With a distance H2 smaller than 1 mm, the wet treatment liquid becomes difficult to flow, resulting in a lower contact efficiency of the wet treatment liquid with the substrate and a poorer discharge efficiency of the treated object. With a distance H2 of over this range, on the other hand, the wet treatment liquid in a large quantity would be present in the wet treatment liquid feed nozzle 102, resulting in a larger weight of the wet treatment liquid feed nozzle 102, and in troubles in displacement of the wet treatment liquid feed nozzle 102.

The distance H1 (between the object to be wet-treated 101 and the opening section 106) should preferably be within a range of from 0.1 to 5 mm, or more preferably, from 1 to 2 mm.

Because the value of H1 may not always be constant under the effect of vibration of the transfer machine or an uneven surface of the substrate itself, it is desirable to provide a sensor for measuring H1, and further, means for bringing the wet treatment liquid feed nozzle 102 apart from, or closer to, the object to be wet-treated 101 in response to a signal from the sensor. At least two aforesaid length measuring units at the top and the bottom in FIG. 20A with the wet treatment liquid

feed nozzle in between. This is to achieve a uniform distance between the object to be wet-treated 101 and the opening section 106 for the entire wet treatment liquid feed nozzle, and to control the flow of the wet treatment liquid without fail.

The length measuring accuracy should preferably be under 0.1 mm. This is because the lower limit of the distance between the wet treatment liquid feed nozzle and the object to be wet-treated should preferably be 0.1 mm in view of the current practice of treatment of a large-sized substrate, and this is to certainly control this distance.

In FIG. 19, 119 is a contact preventing gas ejecting section. The contact preventing gas ejecting section is provided at least on any of the sides of the introducing path 10 and the discharging path so as to prevent the opening section 106 from coming into contact with the object to be wet-treated when the object to be wet-treated 101 is lifted up to cope with an imbalance between the pressure of the wet treatment liquid in contact with the open air at the opening section and the atmospheric pressure. Preferable gases applicable in such a use include nitrogen gas and an inert gas, and air free from impurities (particularly organic matters) is also applicable.

FIG. 21 illustrates an eighth embodiment of the wet treatment liquid feed nozzle of the invention.

In FIG. 21, 102 is a wet treatment liquid feed nozzle. The wet treatment liquid feed nozzle 102 has the following configuration.

The wet treatment liquid feed nozzle 102 comprises an introducing path 110 having an introducing port 107 for introducing a wet treatment liquid 105 at an end thereof, a discharging path 112 having a discharging port 115 for discharging the wet treatment liquid 105 after a wet treatment to outside the set treatment system, a crossing section 114 formed by causing the introducing path 110 and the discharging path 112 to cross at the other ends thereof, and opening section 106 opening to an object to be wet-treated (substrate) at the crossing section 114, and an ultrasonic element 116 provided opposite to the object to be wet-treated so as to impart an ultrasonic wave during wet treatment of the object to be wet-treated.

In this embodiment, a contact preventing N₂ nozzle 119 is provided as in the foregoing tenth embodiment. This is not however always necessary.

FIG. 22B is a plan view, and FIG. 22A is a bottom view, respectively, of the wet treatment liquid feed nozzle shown in FIG. 21.

The ultrasonic element 116 gives an output of an ultrasonic wave having a frequency of at least 19 KHz. It should preferably be a megasonic ultrasonic element of a frequency within a range of from 0.2 to 5 MHz.

The angle θ_3 between the ultrasonic element 116 and the substrate 101 can be appropriately selected within a range of from 0 to 90°, or more preferably, from 2 to 45°.

Imparting such a megasonic ultrasonic wave gives a remarkable improving effect of cleanliness.

The case shown in FIG. 22 has a single ultrasonic element 116. As in FIG. 6, a plurality of ultrasonic elements may be provided. The case shown in FIG. 6 comprises three ultrasonic elements 116a, 116b and 116c in the longitudinal direction (up-down direction in the drawing). Provision of a plurality of ultrasonic elements permits change from time to time of the ultrasonic frequency and output, thus leading to uniform washing.

Apart from the longitudinal direction, a plurality of ultrasonic elements may be arranged in the transverse direction. They may also be arranged both in the longitudinal and transverse directions.

23

FIG. 23 illustrates a ninth embodiment of the wet treatment liquid feed nozzle of the invention. In this embodiment, a plurality of steps 140a, 140b, 140c, 141a, 141b and 141c are provided on the ceiling opposite to the treated surface of the object to be treated 101. The ultrasonic elements 116a, 116b and 116c are provided on the ceiling steps 140a, 140b, and 140c sequentially from the left top to right bottom in the drawing.

According to this embodiment, it is possible to impart an ultrasonic wave in counter current to the wet treatment liquid fed from the introducing path 110 to the crossing section 114, since the ultrasonic elements 116a, 116b and 116c are provided sequentially from the left top to the right bottom of the ceiling, and the steps of the ceiling give substantially uniform gaps between the ultrasonic elements and the object to be wet-treated, thus permitting uniform washing.

The ultrasonic elements 116a, 116b and 116c may have different frequencies from each other.

In the embodiment shown in FIG. 23, rectifying sections 104 for achieving uniform flows of the wet treatment liquid are provided at portions of the introducing path 110 and the discharging path 112 facing the crossing section 114. The rectifying section may be composed of, for example, a filter or a slit.

The opening sections are of a mesh shape as in the foregoing seventh embodiment, as represented by 106a, 106b and 106c.

FIG. 24 illustrates a tenth embodiment of the wet treatment liquid feed nozzle of the invention.

In this embodiment, the discharging path 112 is provided at right angles to the substrate 101, and introducing paths 110a and 110b are symmetrically provided with the discharging path 112 in between.

In this embodiment, the wet treatment liquid is fed from the right and left introducing paths 110a and 110b onto the opposite substrate 101. Leakage of the washing liquid is further reduced, and the washing liquid after washing is more rapidly carried away into the discharging path 112. Irradiation frequencies of the two ultrasonic elements 116 may be the same or different. The two ultrasonic elements 116 may be oscillated alternately at certain time intervals or simultaneously.

The opening sections are of a mesh shape as in the foregoing seventh embodiment, as represented by 106a and 106b.

FIG. 25 illustrates an eleventh embodiment of the wet treatment liquid feed nozzle of the invention.

In this embodiment, the introducing path 110 is arranged at right angles to the substrate 101, and the discharging paths 112a and 112b are symmetrically provided with the introducing path 110 in between.

The opening sections are of a mesh shape as in the foregoing seventh embodiment, as represented by 106a and 106b.

FIG. 26 illustrates a twelfth embodiment of the wet treatment liquid of the invention.

This embodiment represents a case in which cilia 220 are provided on the peripheral edge of the opening section 106 for preventing leakage of the liquid.

The wet treatment liquid feed nozzle of this embodiment comprises introducing paths 110a and 110b each having an introducing port for introducing a wet treatment liquid at an end thereof, a discharging path 112 having a discharging port for discharging the wet treatment liquid after a wet treatment to outside the wet treatment system, a crossing section 114 formed by causing the introducing paths and the discharging path to cross at the other ends thereof, an opening section 106 opening to an object to be wet-treated 101 at the crossing section 114, and cilia 220 provided on the peripheral edge of

24

the opening section 106 in parallel with the normal of the treated surface of the object to be wet-treated 101.

Under the effect of the cilia 220, the wet treatment liquid in contact with the treated surface of the object to be wet-treated 101 is discharged from the discharging path 112 without leaking to outside the system.

The cilia 220 should preferably made of a water-repellent material with a view to further preventing liquid leakage. Preferable materials include Teflon PFA $\{-(CF_2-CF_2)_m-(CF_2-CF_2)_n-\}$, PTFE $\{-(CF_2-CF_2)_n-\}$, and nylon. The diameter of the cilia 220 should preferably be within a range of from 0.01 mm to 0.1 mm. With a diameter of over 0.1 mm, contact with the object to be wet-treated 101 may cause a damage to the object to be wet-treated 101. A diameter of under 0.01 mm results in a lower strength of the material itself. A length and a density of cilia may arbitrarily be selected. The length should preferably be within a range of from 1 to 2 mm.

The cilia 220 are provided on a nozzle having a structure as shown in FIG. 26 in this embodiment. It is however needless to mention that cilia may be provided on any of the basic structures shown in the foregoing seventh to eleventh embodiments.

FIG. 27 illustrates the thirteenth embodiment of the wet treatment liquid feed nozzle of the invention.

In this embodiment, a film 230 is used in place of the cilia presented in the foregoing twelfth embodiment. All the other points are the same as in the twelfth embodiment.

FIG. 28 illustrates a fourteenth embodiment of the wet treatment liquid feed nozzle of the invention.

This embodiment is to prevent entanglement of air by providing an auxiliary path.

The wet treatment liquid feed nozzle of the fourteenth embodiment comprises an introducing path 110 having an introducing port 107 for introducing a wet treatment liquid at an end thereof, discharging paths 112a and 112b having discharging ports 115a and 115b for discharging the wet treatment liquid after a wet treatment to outside the wet treatment system, a crossing section 114 formed by causing the introducing path and the discharging paths to cross at the other ends thereof, an opening section 106 opening to an object to be wet-treated 101 provided at the crossing section 114, and auxiliary paths 240a and 240b communicating with the crossing section 114, provided at least between the discharging paths 115a and 115b the object to be wet-treated 101.

When the balance between the pressure of the wet treatment liquid in contact with the object to be wet-treated 101 and the atmospheric pressure is disturbed [by some vase or other] *in some way or another*, and the open air pressure becomes higher, air flows into the crossing section and [entangled] *mixes* into the wet treatment liquid.

By providing a sensor 131 as shown in FIG. 38 described later, it is possible to know the status of balance in pressure.

When there is a risk of breakage of pressure balance, the balance in pressure [ca] *can* be maintained by ejecting the wet treatment liquid into the crossing section.

FIG. 28 shows a case in which the auxiliary paths 240a and 240b are added to the basic configuration comprising the two discharging paths 112a and 112b with the introducing path 110 in between. It is however needless to mention that the auxiliary paths may be added to a basic configuration having a single introducing path and a single discharging path, shown in FIG. 19.

FIG. 29 illustrates a fifteenth embodiment of the wet treatment liquid feed nozzle of the invention.

FIG. 29A is sectional side view, and FIG. 29B is a plan view.

The wet treatment liquid feed nozzle of the fifteenth embodiment comprises introducing paths **110a** and **110b** each having an introducing port for introducing a wet treatment liquid at an end thereof, a discharging path **112** having a discharging port **115aa** for discharging the wet treatment liquid after a wet treatment to outside the wet treatment system, a crossing section **114** formed by causing the introducing paths **110a** and **110b** and the discharging path **112** to cross at the other ends thereof. An opening section **106** opening to an object to be wet-treated provided at the crossing section, and a parallel flow section **260** through which the wet treatment liquid flows in parallel with the treated surface of the object to be wet-treated **101**.

When the wet treatment liquid is introduced through the parallel flow section **260**, replacement of the wet treatment liquid after treatment and the newly introduced wet treatment liquid is efficiently accomplished, so that the object to be wet-treated can always be wet-treated with fresh wet treatment liquid.

The length L_x the parallel flow section **260** should preferably be within a range of from 1 mm to 10 mm. With a length of under 1 mm, it is difficult to control the flow direction. With a length of over 10 mm, the nozzle becomes excessively larger in size.

The wet treatment liquid flowing through the parallel flow section **260** may come into contact with the object to be wet-treated **101**, or may flow without coming into contact with the object to be wet-treated **101**.

In the case shown in FIG. **29**, the upper length L_x of the parallel flow section **260** is substantially equal to the lower length L_y thereof. When the lengths $L_y=L_x$ for the parallel flow section **260**, therefore, the wet treatment liquid does not come into contact with the object to be wet-treated in the parallel flow section, and is introduced into the crossing section **114**. In this case, the wet treatment liquid is controlled so as to be in parallel with the object to be wet-treated, enters the crossing section, comes into contact with the object to be wet-treated at the opening section and flows into the discharging path, thereby improving washing efficiency.

On the other hand, $L_y=0$ in the case shown in FIG. **30** giving a variant of the foregoing fifteenth embodiment. That is, the wet treatment liquid flows through the parallel flow section while being in contact with the object to be wet-treated.

In this variant of the fifteenth embodiment, the mesh is a little deeper than the opening section **106**. In other words, a mesh plate **265** having a mesh-shaped opening is provided near the beginning of the discharging path **112**. By adopting this configuration, it is possible to avoid exhaustion of the treatment liquid upon closing a valve provided in the discharging path from the proximity to the ultrasonic element **116** even in stoppage of the wet treatment liquid.

The cross-sectional area of the discharging path **112** is larger on the crossing section **114** side, and smaller on the discharge port **115** side. This is for arranging the ultrasonic element **116** at a position where an ultrasonic wave can be efficiently imparted, and for discharging the wet treatment liquid after wet treatment promptly on the discharge port **115** side.

FIG. **31** illustrates a sixteenth embodiment of the wet treatment liquid feed nozzle of the invention.

The wet treatment liquid feed nozzle of the sixteenth embodiment comprises introducing paths **110a** and **110b** having respective introducing ports **107a** and **107b** for introducing a wet treatment liquid at ends on one side thereof, a discharging path **112** having a discharging port **115** for discharging the wet treatment liquid after a wet treatment to

outside the wet treatment system, a crossing section **114** formed by causing the introducing paths **110a** and **110b** and the discharging path **112** to cross at the other ends thereof, an opening section **106** opening to an object to be wt-treated **101**, and an inner extension **270** provided on the peripheral edge of the opening section **106**, from the peripheral edge toward inside, of which the outer surface is in parallel with the treated surface of the object to be wet-treated **101**.

When such an inner extension **270** is provided, it is possible to prevent air from the open air side from being entangled into the wet treatment liquid, since the wet treatment liquid in contact with the object to be wet-treated **101** communicates with the open air only through a very small gap between the object to be wet-treated **101** and the inner extension. It is also possible to prevent leakage of the wet treatment liquid to the open air side.

FIG. **32** illustrates a variant of the aforesaid sixteenth embodiment, in which the inner extension **270** comprises a material different from the material for the introducing paths **110a** and **110b**. Suitable materials for the introducing path include stainless steel such as SUS316L (particularly, stainless steel having an oxide passive film of chromium oxide alone formed on the surface) and aluminum (aluminum having a fluoride passive film formed on the inner surface). The inner extension should preferably be formed of a water repellent material such as PTFE, PVDF{(CFH—CH₂)_n—} or PFA.

FIG. **33** illustrates a seventeenth embodiment of the wet treatment liquid feed nozzle of the invention.

The wet treatment liquid feed nozzle of the seventeenth embodiment comprises introducing paths **110a** and **110b** having respective introducing ports **107a** and **107b** for introducing a wet treatment liquid at ends on one side thereof, a discharging path **112** having a discharging port **115** for discharging the wet treatment liquid after a wet treatment to outside the wet treatment system, a crossing section **114** formed by causing the introducing paths **110a** and **110b** and the discharging path **112** to cross at the other ends thereof, an opening section **106** opening to an object to be wet-treated **101** provided at the crossing section **114**, and a sealing member **280** provided on the peripheral edge of the opening section **106** for sealing the crossing section **114** from outside while being in contact with a support stand **281** of the object to be wet-treated **101**.

An object of this embodiment is to cut off the wet treatment liquid from outside by completely sealing the crossing section **114** with a sealing member **280**, thereby discharging the wet treatment liquid after the wet treatment completely into the discharging path **112**.

According to this embodiment, the sealing member permits achievement of perfect prevention of liquid leakage.

Or, as shown in FIG. **33B**, the sealing member should preferably be in contact with a portion allowing contact such as the outer periphery of the object to be wet-treated **101**.

In this embodiment, it is not necessary to arrange the wet treatment liquid feed nozzle movably in parallel with the object to be wet-treated **101**, but it suffices to provide the nozzle vertically or diagonally movably relative to the object to be wet-treated **101**.

FIG. **34** illustrates an eighteenth embodiment of the wet treatment liquid feed nozzle of the invention.

The wet treatment liquid feed nozzle of the eighteenth embodiment comprises an introducing path **110** having an introducing port **107** for introducing a wet treatment liquid at an end thereof, discharging paths **112a** and **112b** having respective discharging ports **115a** and **115b** for discharging the wet treatment liquid after a wet treatment to outside the

wet treatment system, a crossing section **114** formed by causing the introducing path **110** and the discharging paths **112a** and **112b** to cross at the other end thereof, an opening section **106** opening to an object to be wet-treated **101** at the crossing section **114**, and an auxiliary introducing path **290** communicating with the discharging path **115b**. In FIG. **34**, **270** is an inner extension provided on the peripheral edge of the opening section **106**, from the peripheral edge toward inside, of which the outer surface is in parallel with the treated surface of the object to be wet-treated **101**.

The wet treatment liquid is constantly fed from the introducing path **110** to the crossing section **114**. However, the crossing section **114** may sometimes become empty at the trailing or beading end of the object to be wet-treated. A problem is that, upon introduction of the wet treatment liquid from the introducing path **110** when the next object to be wet-treated arrives, and upon filling the entire crossing section with the treatment liquid, the discharging path side contains air, and the treatment liquid cannot be discharged by the use of a water discharge pump. Therefore, by feeding the wet treatment liquid from the auxiliary introducing path **290**, it is possible to fill the discharging path **112** as well with the wet treatment liquid, thereby ensuring a state permitting smooth flow of the treatment liquid. A reduced-pressure pump can eliminate the problem without the necessity of an auxiliary introducing path **290**.

In this embodiment, a shutter **295** is provided for opening and closing the opening section **106**. When treatment of an object to be wet-treated has been completed and the process is in standby for the treatment of the next object to be wet-treated, continuing feeding the wet treatment liquid with a valve V_2 kept open would lead to exhaustion of the wet treatment liquid. When introduction of the wet treatment liquid is discontinued by closing the valve V_2 air enters the entire wet treatment liquid feed nozzle including the crossing section **114**, and at the start of the next run of wet treatment, the wet treatment liquid entrapping the air would be fed to the object to be wet-treated.

Air is prevented from entering the wet treatment liquid by filling the entire wet treatment liquid feed nozzle including the crossing section **114** with the wet treatment liquid by closing the shutter **295**, and closing valves V_1 , V_2 and V_3 in this state. When using the wet treatment liquid feed nozzle for the next run, it suffices to open the shutter **295**, with the valves V_1 , V_2 and V_3 opened, to feed the wet treatment liquid to the object to be wet-treated.

FIG. **35** illustrates a variant of the foregoing sixteenth embodiment.

This variant of embodiment has the same basic structure as that shown in FIG. **24**: discharging paths **112a** and **112b** are provided with two opposed introducing paths **110a** and **110b** in between. The only difference of this case lies in that the distance between the exits of the introducing paths **110a** and **110b**, on the one hand, and the entries of the discharging paths **112a** and **112b** is shorter than that shown in FIG. **24**. The wet treatment liquid introduced from the introducing paths **110a** and **110b** is discharged more efficiently into the discharging paths **112a** and **112b**.

While the discharging paths are arranged with the introducing paths in between in FIG. **35**, the introducing paths may be arranged with the discharging paths in between.

In this variant of embodiment, liquid leakage is prevented by providing a film **230**.

FIG. **36** illustrates a nineteenth embodiment of the wet treatment liquid feed nozzle of the invention.

In this embodiment, the crossing section is divided by partitions **350a** and **350b** into three compartments **114a**, **114b** and **114c**.

By dividing the crossing section into a plurality of compartments, and further providing introducing paths **110a**, **110b** and **110c** and discharging paths **112a**, **112b** and **112c** for the compartments **114a**, **114b** and **114c**, respectively, and providing a valve (not shown), it is possible to feed the wet treatment liquid only to limited portions requiring the wet treatment, thereby further reducing the consumption of the wet treatment liquid.

Independent ultrasonic elements **116a**, **116b** and **116c** may be provided in the compartments, respectively, and by appropriately selecting a frequency and a power for each compartment, it is possible to carry out a treatment suitable for each surface portion of the object to be wet-treated.

FIG. **37** illustrates first embodiment of the wet treatment liquid feed nozzle apparatus of the invention.

The wet treatment liquid feed nozzle apparatus of this embodiment comprises the wet treatment liquid feed nozzle of the invention provided with a pressure controller **113**.

The pressure controller **113** is provided at least on the discharging path **112** side so as to take balance between the pressure of the wet treatment liquid in contact with to open air at the opening section **106** (including the surface tension of the wet treatment liquid and the surface tension of the treated surface of the object to be wet-treated) and the atmospheric pressure so that the wet treatment liquid in contact with the object to be wet-treated **101** after a wet treatment flows into the discharging path **112**.

In this embodiment, the pressure controller **113** comprises a reduced-pressure pump provided on the discharging port **115** side. More specifically, by controlling the sucking pressure of the reduced-pressure pump, the pressure controller **113** controls the pressure of the wet treatment liquid, and hence the difference between the atmospheric pressure and the pressure of the wet treatment liquid in contact with the object to be wet-treated **101**. It is desirable to carry out control, taking account of the flow rate of the introduced wet treatment liquid and the flow rate of the discharged wet treatment liquid which have an effect on the pressure of the wet treatment liquid. More particularly, it suffices to experimentally determine these values in advance by the use of an actual wet treatment liquid feed nozzle and an actual wet treatment liquid.

That is, a reduced-pressure pump is used for the pressure controller **113** on the discharging path **112** side. Balance is taken between the pressure of the wet treatment liquid in contact with the open air at the opening section **106** (including the surface tension of the wet treatment liquid and the surface tension of the treated surface of the object to be wet-treated) and the atmospheric pressure, by controlling the force of the crossing section **114** sucking the wet treatment liquid by means of the reduced-pressure pump. In other words, by assuming $P_w \approx P_a$ to represent the relationship between the pressure P_w of the wet treatment liquid in contact with the open air at the opening section **106** (including the surface tension of the wet treatment liquid and the surface tension of the treated surface of the object to be wet-treated) and the atmospheric pressure P_a , it is fed to the substrate **101** via the opening section **106**, and the wet treatment liquid in contact with the substrate **101** almost never leaks to outside the wet treatment liquid feed nozzle, and is discharged into the discharging path **112**.

It is desirable to select a shape of the ceiling of the crossing section **114**, a shape of the boundary between the introducing path **110** and the crossing section **114** and a shape of the

boundary between the crossing section **114** and the discharging path **112** such that a Coanda effect is available to facilitate taking balance of pressure.

By adopting the configuration as described above, it is possible to remove the wet treatment liquid **105** fed from the wet treatment liquid feed nozzle to the object to be wet-treated (substrate) **101**, without coming into contact with portions other than the portion to which the wet treatment liquid has been fed (opening section **106**), from the object to be set-treated (substrate) **101**.

FIG. **38** illustrates a second embodiment of the wet treatment liquid feed nozzle apparatus of the invention.

In this embodiment, means for controlling the difference between the pressure of the wet treatment liquid and the atmospheric pressure comprises a reduced-pressure pump (water discharge pump in this embodiment) **117** provided in the downstream of the discharging path **112**, a feed pump **133** provided in the upstream of the introducing path **110**, a pressure sensor **131** for detecting the pressure of the wet treatment liquid in contact with the object to be wet-treated **101**, and a controller **132** for controlling driving of the reduced-pressure pump **117** and the feed pump **133** by a signal from the pressure sensor **131**.

While the embodiment shown in FIG. **37** is effective when the pressure of the wet treatment liquid on the introducing port **107** side is constant, in this embodiment, a more accurate pressure control is achieved and an excellent cleanliness is available because the pressure of the wet treatment liquid is detected on the introducing side as well.

Now, another embodiment of the wet treatment apparatus of the invention will be described.

When composing a wet treatment apparatus by the use of the wet treatment liquid feed nozzle **102** shown in FIGS. **19** and **20**, the opening section **106** of the wet treatment liquid feed nozzle **102** is directed toward the substrate **101** as shown in FIG. **11**, and means for relatively moving the wet treatment liquid feed nozzle **102** and the substrate **101**, such as a roller conveyor (not shown) of the substrate **101** should preferably be provided.

The apparatus has a wet treatment liquid source and means for feeding the wet treatment liquid from the wet treatment liquid source to the introducing port of the wet treatment liquid feed nozzle. For cases requiring treatment of the object to be wet-treated at a temperature of 70 to 80° C. such as in a stripping process of resist, it is desirable to provide a heating unit, a temperature adjusting unit and a temperature holding unit at appropriate positions.

In FIG. **11**, wet treatment liquid feed nozzles **102aF** and **102aB** make a pair with the object to be wet-treated **101** in between to simultaneously wet-treat the surface and the back of the object to be wet-treated.

In addition, three rows comprising wet treatment liquid feed nozzles (**102aF** and **102aB**) for electrolytic ion washing (and embodiment of wet treatment), wet treatment liquid feed nozzles (**102bF** and **102bB**) for extra-pure water rinsing (wet treatment), and, for example, wet treatment liquid feed nozzles (**102cF** and **102cB**) for IPA (isopropyl alcohol) drying are arranged sequentially in the travelling direction of the object to be wet-treated **101**. Illustration of the opening section, details of the surrounding portions thereof and the pressure controller are omitted here.

The both ends of the pair of wet treatment liquid feed nozzles **102aF** and **102aB** are brought into contact with each other to form a tunnel-shaped space, through which the object to be wet-treated **101** travels. Even when the wet treatment liquid flows from the end face side (a plane perpendicular to the sheet in the drawing) of the object to be wet-treated **101**,

therefore, the flowing wet treatment liquid can be received in the lower wet treatment liquid feed nozzle **102aB**.

Because the washing efficiency is high on the back (lower surface), ultrasonic elements (**16a** and **16b**) are provided only on the surface (upper surface). When a single kind of wet treatment liquid is used for all cases, pressure control may be conducted with a single pressure controller.

FIG. **12** illustrates an embodiment in which the object to be wet-treated is move up and down: FIG. **12A** is a sectional side view, and FIG. **12B** is a plan view.

FIGS. **13A**, **13B** and **13C** are sectional view as viewed from above, in which the object to be wet-treated **101** is place upright. The wet treatment liquid feed nozzle **102** is arranged in the longitudinal direction at right angles to the travelling direction of the object to be wet-treated **101** in the longitudinal direction of the wet treatment liquid feed nozzle **102**, and the object to be wet-treated **101** is horizontally transferred. In this case the object to be wet-treated has no up-down relationship. Since the washing efficiency is the same for both the surface and the back, the ultrasonic element **16** may be provided on the back (FIG. **13C**), on the surface (FIG. **13B**), or on the back and the surface (FIG. **13A**).

FIG. **14** is sectional side view, in which the object to be wet-treated is place upright, and vertically transferred upward.

As in the case shown in FIG. **13**, in the embodiment shown in FIG. **14**, the object to be wet-treated has no up-down relationship and the washing efficiency is the same for both the surface and the back. The ultrasonic element **16** may therefore be provided on the back (FIG. **14C**), on the surface (FIG. **14B**) or on the back and the surface (FIG. **14A**).

FIG. **15** is a sectional side view as viewed from a side: the back is the lower surface and the surface is the upper surface. FIG. **15** represents a case where the object to be wet-treated **101** is horizontally placed and transferred in the horizontal direction. As to the ultrasonic element **16**, FIG. **15B** is generally employed since washing of the back can be accomplished at a high washing efficiency.

For the washing step, the wet treatment liquid may be extra-pure water, electrolytic ion water, ozone water, hydrogen water or other washing liquid, and for the other wet treatment steps, an etching solution, a developing solution or a stripping liquid is suitably applicable.

EXAMPLE 3

A 500 mm×400 mm rectangular glass substrate was provided.

The substrate surface was stained by immersing the glass substrate into pure water containing Al₂O₃ particles. The number of particles on the entire surface of the substrate after staining was measured, giving a result of 41,500 particles. Only particles having a size of at least 0.5 μm were measured.

After the aforesaid staining, washing was carried out by the transverse displacement method as shown in FIG. **11**, by the use of the wet treatment liquid feed nozzle shown in FIG. **19**, **20A** and **20B**. In this example, the back of the substrate was not washed.

Conditions for the wet treatment liquid feed nozzle were as follows:

Conditions for wet treatment liquid feed nozzle:

Nozzle length: 500 mm

Angle θ_1 of introducing path: 45°

Angle θ_2 of discharging path: 45°

Distance from substrate: 1 mm

31

Opening section: Diameter **106L** in FIG. **20A**: 8 mm
 Diameter **106M** in FIG. **20A**: 4 mm Diameter **106S** in
 FIG. **20A**: 2 mm

Washing conditions were as follows:

Washing conditions:

Washing liquid: Electrolytic cathode ion water (pH: 10)

Washing liquid consumption: 2.5 L/min

Ultrasonic frequency: 1 MHz

Ultrasonic power: 150 W

Substrate feed speed: 20 mm/sec

Net washing Time=Opening dia/feed speed =(4 mm)/
 (20 mm/sec) =20 sec

Number of washing runs: One

After washing, there were observed 156 particles.

Comparative Example 3

A 500 mm×400 mm rectangular glass substrate was prepared as in the Example 3.

The substrate surface was stained by immersing the glass substrate into pure water containing Al_2O_3 particles. The number of particles on the entire surface of the substrate after staining was measured, giving a result of 41,000 particles. Only particles having a size of at least 0.5 μm were measured.

After the aforesaid staining, washing was carried out by the transverse displacement method as shown in FIG. **52B**, by the use of the wet treatment liquid feed nozzle shown in FIG. **52A**.

Conditions for the wet treatment liquid feed nozzle were as follows:

Conditions for wet treatment liquid feed nozzle:

Nozzle length: 500 mm

Opening section width: 2 mm

Washing conditions were as follows:

Washing conditions:

Washing liquid: Electrolytic cathode ion water (pH: 10)

Washing liquid consumption: 25 L/min

Ultrasonic frequency: 1 MHz

Ultrasonic power: 900 W

Washing time: 20 sec

Number of washing runs: One

After washing, there were observed 640 particles.

The results of the Comparative Example 3 and Example 3 are shown in FIG. **39B**. As in clear from comparison of the both, the Example 3 gave a washing liquid consumption of a tenth that in the conventional art, and achieved a cleanliness about four times as high. The ultrasonic power was $\frac{1}{6}$.

EXAMPLE 4

Spin washing was carried out in this Example.

A six-inch circular glass substrate was provided.

The substrate surface was stained by immersing the glass substrate into pure water containing Al_2O_3 particles. The number of particles on the entire surface of the substrate after staining was measured, giving a result of 20,000 particles. Only particles having a size of at least 0.5 μm were measured.

After the aforesaid staining, washing was carried out by the rotating displacement method by the use of the wet treatment liquid feed nozzle shown in FIG. **19**.

Conditions for the wet treatment liquid feed nozzle were as follows:

Conditions for wet treatment liquid feed nozzle:

Nozzle length: 152 mm

Angle θ_1 of introducing path: 30°

Angle θ_2 of discharging path: 30°

Distance between substrate and opening section: 1 mm

32

Opening section width: 20 mm

Diameter **106L** in FIG. **20A**: 8 mm

Diameter **106M** in FIG. **20A**: 4 mm

Diameter **106S** in FIG. **20A**: 2 mm

Washing conditions were as follows:

Washing conditions:

Washing liquid: Electrolytic ion water

Washing liquid consumption: 1 L/min

Ultrasonic frequency: 1 MHz

Ultrasonic power: 60 W

Washing time: 10 sec

Revolutions: 300 rpm

After washing, there were observed five particles.

Comparative Example 4

A six-inch circular glass substrate was provided as in the Example 4.

The substrate surface was stained by immersing the glass substrate into pure water containing Al_2O_3 particles. The number of particles on the entire surface of the substrate after staining was measured, giving a result of 19,930 particles. Only particles having a size of at least 0.5 μm were measured.

After the aforesaid staining, spin washing was carried out by the use of the wet treatment liquid feed nozzle shown in FIG. **52A**.

Conditions for the wet treatment liquid feed nozzle were as follows:

Conditions for wet treatment liquid feed nozzle:

Nozzle length: 152 mm

Opening section: 2 mm

Washing conditions were as follows:

Washing conditions:

Washing liquid: Electrolytic cathode ion water

Washing liquid consumption: 10 L/min

Ultrasonic frequency: 1 MHz

Ultrasonic power: 300 W

Washing time: 10 sec

Revolutions: 300 rpm

After washing, there were observed 32 particles.

The results of the Comparative Example 4 and the Example 4 are shown in FIG. **39A**. As in clear comparison of the Comparative Example 4 and the Example 4, even in rotating washing, the Example 4 gave a washing liquid consumption of a tenth that in the conventional art, an ultrasonic power of a fifth, and a cleanliness about six times as high.

Now, a first embodiment of the fluid treatment apparatus of the invention is illustrated in FIGS. **40** and **41**.

FIG. **40** is a sectional side view of the fluid treatment apparatus. FIG. **41(A)** is a bottom view, and FIG. **41B** is a plan view.

In FIG. **40**, **302** is the fluid treatment apparatus. The fluid treatment apparatus **302** comprises a fluid feed nozzle body **350** and light irradiating means **380**.

The nozzle body **350** has a fluid treatment path **314** which brings a treatment fluid from an opening **306** into contact with an object to be treated **301** and then brings the treatment fluid back to the opening **306**, an introducing path **310** which introduces the treatment fluid into the fluid treatment path **314**, and a discharging path **312** which discharges the treatment fluid brought from the fluid treatment path **314** back to the opening **306**.

Outside the nozzle body **350**, there is provided light irradiating means **380** for irradiating a light onto the object to be treated.

The used treatment fluid **305'** fed from the fluid treatment apparatus **302** to the object to be treated (substrate) **301** is

removed from the object to be treated (substrate) **301** without coming into contact with portions other than the portion (opening **306**) to which the treatment fluid has been fed. It is therefore possible to irradiate the light onto the treatment fluid free from impurities, thus improving the irradiation efficiency.

The shape of the ceiling **318** near the opening of the nozzle body **350** should preferably be a shape giving a Coanda effect which enables to easily take balance in pressure and permits easy removal of bubbles having entered into, or produced in, the fluid treatment path **314**.

As is known from FIG. **41**, three parallel introducing paths **310** are provided in this embodiment.

Three parallel discharging paths **312** are provided, respectively, to correspond to the three introducing paths **310**. It is thus possible to achieve a uniform washing efficiency in the longitudinal direction by providing a plurality of introducing and discharging paths in the longitudinal direction (up-down direction In FIG. **41**) of the fluid treatment apparatus **302**.

The nozzle body **350** is made of a material permitting light transmission.

The angle θ_1 between the introducing path **310** and the substrate **301** can be appropriately selected within a range of from 0 to 90°.

The angle θ_2 between the discharging path **312** and the substrate **301** can be appropriately selected within a range of from 0 to 90°.

The angle θ_1 between the introducing path **310** and the substrate **301** and the angle θ_2 between the discharging path **312** and the substrate **301** are arbitrarily set in view of the contact efficiency of the treatment fluid with the substrate, the discharge efficiency of the treated object, the shape of the fluid treating path, the shape of the opening, and the area thereof.

The distance H2 between the portion of the ceiling the closest to the object to be treated (substrate) **301**, facing the object to be treated (substrate), forming the fluid treating path **314**, on the one hand, and the portion of the opening **306** the closest to the object to be treated (substrate), on the other hand, should preferably be within a range of from 1 to 50 mm, or more preferably, from 2 to 20 mm. A distance H2 of under 1 mm makes it difficult for the treatment fluid to flow, leading to a lower contact efficiency of the treatment liquid with the substrate and a lower discharge efficiency of the treated object. A distance H2 of over this range results, on the other hand, in the presence of much treatment fluid in the fluid treatment apparatus **302**, leading to a larger weight of the fluid treatment apparatus **302**, and troubles occur in displacement of the fluid treatment apparatus **302**.

H1 (distance between the object to be treated **301** and the opening) should preferably be within a range of from 0.1 to 5 mm, or more preferably, from 1 to 2 mm.

The value of H1 may sometimes vary because of vibration of the transfer machine or an uneven surface of the substrate. It is therefore desirable to provide a sensor for measuring H1 and means for separating or bringing closer the fluid treatment apparatus **302** from or to the object to be treated in response to a signal from the sensor. At least two such length measuring units should preferably be provided at two positions with the nozzle body **350** in between in FIG. **41A**. This is with a view to ensuring accurate control of the flow of the treatment fluid while keeping a constant distance between the object to be treated **301** and the opening **306** for the entire fluid treatment apparatus. The length measuring accuracy should preferably be smaller than 0.1 mm. Because the lower limit of the distance between the fluid treatment apparatus

and the object to be treated should preferably be 0.1 mm, and this distance should accurately be controlled.

In FIG. **40**, **319** is a contact preventing gas ejecting section. The contact preventing gas ejecting section is provided at least in any of the introducing path **310** and the discharging path so that the opening section **306** does not come into contact with the object to be treated **301** upon lifting up the object to be treated **301**, because of unbalance between the pressure Pw of the treatment fluid in contact with the open air at the opening **306** and the atmospheric pressure PA. The gas used for this purpose should preferably be nitrogen gas or an inert gas, or may be air free from impurities (particularly water).

A second embodiment of the fluid treatment apparatus of the invention is illustrated in FIG. **42**.

In FIG. **42**, **302** is the fluid treatment apparatus. The fluid treatment apparatus **302** comprises a nozzle body **350** having light irradiating means **380** and a pressure controlling means **313**.

The nozzle body **350** has a fluid treating path **314** which, after bringing the treatment fluid from the opening **306** into contact with the object to be treated **301**, brings the treatment fluid back to the opening **306**, an introducing path **310** for introducing the treatment fluid to the fluid treating path **314**, a discharging path **312** for discharging the treatment fluid brought back to the opening **306** from the fluid treating path **314**, and light irradiating means **380** for irradiating a light onto the treatment fluid.

In this embodiment the pressure control means **313** is provided on the discharging path **312** side so as to take balance between the pressure of the treatment fluid in contact with the open air at opening **306** (including the surface tension of the treatment fluid and the surface tension of the treated surface of the object to be treated) and the atmospheric pressure to ensure flow of the treatment fluid having been in contact with the object to be treated **301** into the discharging path **312** after the fluid treatment.

In this embodiment, the pressure control means **313** comprises a reduced-pressure pump **317** provided on the discharging port **315** side. That is, the pressure of the treatment fluid, and hence, the pressure difference between the atmospheric pressure and the pressure of the treatment fluid in contact with the object to be treated **301**, by controlling the sucking pressure of the reduced-pressure pump **317**.

More specifically, by the used of the reduced-pressure pump **317** in the pressure control means **313** on the discharging path **312** side, the force of the fluid treating path **314** to suck the treatment fluid in controlled by the reduced-pressure pump **317**, thereby taking balance between the pressure of the treatment fluid in contact with the open air at the opening **306** (including the surface tension of the treatment fluid and the surface tension of the treated surface of the object to be treated) and the atmospheric pressure. That is, by assuming that the relationship between the pressure Pw of the treatment fluid in contact with the open air at the opening **306** (including the surface tension of the treatment fluid and the surface tension of the treated surface of the object to be treated) and the atmospheric pressure Pa is $Pw \approx Pa$ the treatment fluid fed to the substrate **301** via the opening **306** and in contact with the substrate **301** is discharged into the discharging path **312** without lacking to outside the fluid treatment apparatus **302**.

In this embodiment also, the ceiling of the fluid treating path **314** should preferably have a shape producing Coanda effect, which makes it easier to take balance in pressure, and permits easy removal of bubbles entering the fluid treating path **314** or produced bubbles.

The other points are the same as in the foregoing first embodiment.

Now, a third embodiment of the fluid treatment apparatus of the invention will be described below with reference to FIG. 3.

This embodiment permits control, with a simpler system, the balance between the pressure of the treatment fluid in contact with the object to be treated **301** and the atmospheric pressure by the use of light irradiating means **380**. This is effective particularly in the case where the treatment fluid is a liquid.

The pressure control means on the discharging path **312** side controls the balance between the pressure of the treatment fluid in contact with the open air at the opening **306** (including the surface tension of the treatment fluid and the surface tension of the treated surface of the object to be treated) and the atmospheric pressure by controlling, by means of the difference in height, the force of the fluid treating path **314** to suck the treatment fluid brought about by the weight of the treatment fluid itself based on the syphon principle produced by the difference in height between the opening **306** and the discharging path **312** end (end open to the open air).

More specifically, a water discharging unit **327** is connected to the discharging port **315** of the nozzle body **350** via a water discharge piping **325**, and the water discharging unit **327** is held by a holder **328**. The holder **328** is attached to, for example a strut slidably vertically in the drawing.

A valve **330** is attached to the leading end of the water discharging unit **327**. The valve **330** is opened and closed by a valve drive **329**.

On the other hand, this embodiment has a controller **322** which drives a robot and the valve drive **329** on the basis of a signal from the pressure sensor **324** for detecting the pressure of the treatment fluid in the introducing path **310**. The robot is for moving up and down the holder **328**. When the valve **330** is open, the pressure of the treatment fluid in contact with the object to be treated can be controlled through vertical displacement of the water discharging unit **327**.

A fourth embodiment of the fluid treatment apparatus of the invention is illustrated in FIG. 43. The same components in FIG. 43 as those in FIG. 40 are assigned the same reference numerals, and description thereof is omitted here.

More particularly, the fluid treatment apparatus is provided with a nozzle body **350**, light irradiating means **380** and an attachment guide **385** for detachably attaching the light irradiating means **380**.

The light irradiating means **380** can be attached or detached by causing the same along the attachment guide **385** vertically in the drawing.

When carrying out chemicals washing after detaching the light irradiating means **380**, for example, an ultrasonic element **316** can be attached to the same position by detaching the light irradiating means.

When attaching the ultrasonic element **316**, it should preferably be an ultrasonic element giving an output of an ultrasonic wave of a frequency of at least 19 kHz, or more preferably, a megasonic ultrasonic element of a frequency within a range of from 0.2 to 5 MHz.

The angle θ_3 between the ultrasonic element **316** and the substrate **301** can be appropriately selected within a range of from 0 to 90°, or preferably, from 2 to 45°.

Use of a megasonic ultrasonic element gives a remarkable improving effect of cleanliness.

FIG. 43 illustrates a case where single light irradiating means **380** or a single ultrasonic element **316** is provided. FIG. 44 shows a case where a plurality of light irradiating

means **380** or ultrasonic elements **316** are provided. In the example shown in FIG. 44, three light irradiating means **380a**, **380b** and **380c** are arranged longitudinally (in the up-down direction in FIG. 44). Provision of a plurality of light irradiating means as described above permits uniform washing because the light wavelength or the output can appropriately be changed. Similarly, three ultrasonic elements **316a**, **316b** and **316c** may also be arranged longitudinally.

A plurality of light irradiating means **380** or ultrasonic elements may be arranged either longitudinally or in the transverse direction. They may also be arranged both in the longitudinal direction and in the transverse direction.

Single light irradiating means **380** and a plurality of ultrasonic elements **316** may be mixed and may be simultaneously attached.

Now, a fifth embodiment of the fluid treatment apparatus of the invention will be described below with reference to FIG. 45. The fifth embodiment has the same configuration as in the foregoing case shown in FIG. 38, and by using light irradiating means **380** in place of the ultrasonic element **316**, there are simultaneously available the advantage presented in the twenty-fifth embodiment in addition to the advantage brought about by light irradiation.

In this embodiment, means for controlling the difference between the pressure of the treatment fluid and the atmospheric pressure comprises a reduced-pressure pump (a water discharge pump in this example) **317** provided in the downstream of the discharging path **312**, and a feed pump **333** provided in the upstream of the introducing path **310**. It may further comprise a pressure sensor **331** for detecting the pressure of the treatment fluid in contact with the object to be treated **1**, and a controller **332** for controlling drive of the reduced-pressure pump **317** and the feed pump **317** in accordance with a signal from the pressure sensor **331**.

While the embodiment shown in FIG. 42 is effective when the pressure of the treatment fluid is constant on the introducing port **307** side, the present embodiment, in which the pressure of the treatment fluid on the introducing side is detected, permits achievement of accurate pressure control, giving an excellent cleanliness.

Now, a sixth embodiment of the fluid treatment apparatus of the invention will be described below with reference to FIG. 8. The sixth embodiment has the same configuration as in the foregoing case shown in FIG. 8. Advantages of light irradiation are available by using light irradiating means **380a**, **380b** and **380c** in place of the ultrasonic elements **16a**, **16b** and **16c**. In FIG. 8 the light irradiating means **380a**, **380b** and **380c** are provided on the stepped ceiling portions **40a**, **40b** and **40c**, respectively, including toward the right down, facing the treated surface of the object to be treated **301**.

Since, in this embodiment, light irradiating means **380a**, **380b** and **380c** are provided on the right down portions of the ceiling in the same apparatus, the gaps from the object to be treated are substantially uniform, thereby permitting uniform irradiation.

The light irradiating means **380a**, **380b** and **380c** may be composed of light different in output and wavelength.

It suffices to provide at least one light irradiating means, together with ultrasonic elements.

Now, a seventh embodiment of the fluid treatment apparatus of the invention will be described below with reference to FIG. 9. This embodiment has the same configuration as the foregoing embodiment shown in FIG. 9 except that light irradiating means **380** is employed in place of the ultrasonic element **16**.

In the fluid treatment apparatus of this embodiment, the output and the wavelength of the light irradiated from the two light irradiating means **380** may be the same or different. The two light irradiating means may irradiate the light either in pulsation alternately at certain time intervals or simultaneously.

An eighth embodiment of the fluid treatment apparatus of the invention will be described below with reference to FIG. **10**. This embodiment has the same configuration as in the embodiment shown in FIG. **10** except that light irradiating means **380** is used in place of the ultrasonic element **16**.

A ninth embodiment of the fluid treatment apparatus of the invention will be described below with reference to FIG. **16**. This embodiment has the same configuration as in the embodiment shown in FIG. **16** except that light irradiating means **380a** and **380b** are used in place of the ultrasonic elements **16a** and **16b**.

A tenth embodiment will be described with reference to FIG. **17**. The tenth embodiment has the same configuration as that of the foregoing embodiment shown in FIG. **17**, except that light irradiating means **380** is used in place of the ultrasonic element **3**.

Another embodiment of the invention will be described with reference to FIGS. **21** and **22**. This embodiment has the same configuration as that of the foregoing embodiment shown in FIGS. **21** and **22**, except that light irradiating means **380** is employed in place of the ultrasonic element **116**. The present embodiment is suitably applicable when the treatment fluid is a liquid.

An eleventh embodiment of the fluid treatment apparatus of the invention will be described with reference to FIG. **24**. The eleventh embodiment has the same configuration as that of the foregoing embodiment shown in FIG. **24**, except that light irradiating means **380** is used in place of the ultrasonic element **116**.

The output and the wavelength of irradiation from the two light irradiating means may be the same or different. The two irradiating means may be operated for irradiation in pulsation alternately at certain time intervals or simultaneously.

A twelfth embodiment of the fluid treatment apparatus of the invention will be described with reference to FIG. **25**. The twelfth embodiment has the same configuration as that of the foregoing embodiment shown in FIG. **25**, except that light irradiating means is used in place of the ultrasonic element **116**.

The output and the wavelength of irradiation from the two light irradiating means may be the same or different. The two irradiating means may be operated for irradiation in pulsation alternately at certain time intervals or simultaneously.

A thirteenth embodiment of the fluid treatment apparatus of the invention will be described with reference to FIG. **28**. The thirteenth embodiment has the same configuration as that of the foregoing embodiment shown in FIGS. **28A** and **28B**, except that light irradiating means **380** is employed in place of the ultrasonic element **116**, and entanglement of the air is prevented by providing an auxiliary path.

A fourteenth embodiment of the fluid treatment apparatus of the invention will be described with reference to FIGS. **29A** and **29B**. The fourteenth embodiment has the same configuration as that of the foregoing embodiment shown in FIGS. **29A** and **29B**, except that light irradiating means **380** is employed in place of the ultrasonic element **116**.

A fifteenth embodiment of the fluid treatment apparatus of the invention will be described with reference to FIGS. **30A** and **30B**. The fifteenth embodiment has the same configuration as that of the foregoing embodiment shown in FIGS. **30A** and **30B**, except that light irradiating means **380** is used in

place of the ultrasonic element **116**. In the present embodiment, there stands a relationship $L_y=0$ as shown in the embodiment of FIG. **14**, i.e., the treatment fluid flows in contact with the object to be treated in the parallel flow section.

A sixteenth embodiment of the fluid treatment apparatus of the invention will be described with reference to FIG. **32**. The sixteenth embodiment has the same configuration as that of the foregoing embodiment shown in FIG. **32**, except that light irradiating means **380** is used in place of the ultrasonic element **116**, and an inner extension **270** is made of a material different from that for introducing sections **110a** and **110b**.

A seventeenth embodiment of the fluid treatment apparatus of the invention will be described with reference to FIG. **33A**. The seventeenth embodiment has the same configuration as that of the foregoing embodiment shown in FIG. **33A**, except that light irradiating means **380** is used in place of the ultrasonic element **116**.

As in the variation shown in FIG. **33B**, portions which may be brought into contact with the other components on the outer periphery of the object to be treated **1** (for example, the portion on which no semiconductor device is formed) should preferably be brought into contact with a sealing member **280** of the fluid treatment apparatus. In FIG. **33B**, the reference numeral **380** represents light irradiating means.

An eighteenth embodiment of the fluid treatment apparatus of the invention will be described with reference to FIGS. **34A** and **34B**. The eighteenth embodiment has the same configuration as that of the foregoing embodiment shown in FIGS. **34A** and **34B**, except that light irradiating means **380** is employed in place of the ultrasonic element **116**.

An nineteenth embodiment of the fluid treatment apparatus of the invention will be described with reference to FIG. **35**. The nineteenth embodiment has the same configuration as that of the foregoing embodiment shown in FIG. **35**, except that light irradiating means **380a** and **380b** are used in place of the ultrasonic elements **116a** and **116b**.

The present embodiment is quite similar to the twenty-second embodiment, except that light irradiating means **380** is used in place of the ultrasonic elements **116a** and **116b**.

An twentieth embodiment of the fluid treatment apparatus of the invention will be described with reference to FIGS. **36A** and **36B**. The twentieth embodiment has the same configuration as that of the foregoing embodiment shown in FIGS. **36A** and **36B**, except that light irradiating means **380a**, **380b** and **380c** are employed in place of the ultrasonic elements **116a**, **116b** and **116c**.

FIG. **46** illustrates the twentieth embodiment of the fluid treatment apparatus of the invention.

In FIG. **46**,

Reference numeral **301** is an object to be treated;

Reference numeral **302** is a fluid treatment apparatus;

Reference numeral **304** is a treatment fluid before use;

Reference numeral **305** is a treatment fluid after use;

Reference numeral **306** is an opening;

Reference numeral **307** is an introducing port;

Reference numeral **310** is an introducing path;

Reference numeral **312** is a discharging path;

Reference numeral **314** is a fluid treatment path;

Reference numeral **315** is a discharging port;

Reference numeral **319** is a contact preventing gas ejecting section;

Reference numeral **316** is an ultrasonic element;

Reference numeral **380** is light irradiating means;

Reference numeral **H1** is a distance between the opening and the treated surface of the object to be treated; Reference

numeral H2 is a distance between the ceiling of the fluid treatment section and the opening;

Reference numeral Θ_3 is an angle between the introducing path and the treated surface;

Reference numeral Θ_2 is an angle between the discharging path and the treated surface;

Reference numeral Θ_3 is an angle between the ceiling of the fluid treatment section and the treated surface;

Reference numeral PA is the atmospheric pressure; and

Reference numeral Pw is the pressure of the treatment fluid.

This is an embodiment in which light irradiating means 380 and an ultrasonic element 316 are simultaneously provided. In the case shown in FIG. 46, the light irradiating means 380 and the ultrasonic element 316 are provided adjacent to each other. However, when simultaneously providing the light irradiating means 380 and the ultrasonic element 316, the arrangement is not limited to that shown in FIG. 46, but as shown in FIG. 9A the light irradiating means 380 may be provided on one side and the ultrasonic element 16 may be provided on the other side, with the discharging path 12 in between.

In FIG. 46, one of the two light irradiating means 380 presented in the foregoing twelfth, thirteenth, sixteenth, seventeenth, eighteenth and nineteenth embodiments of the fluid treatment apparatus of the invention may be replaced by an ultrasonic element.

It is needless to mention that any other arrangement may be adopted.

When generating a chemically active species by irradiating a light to a fluid, for example, the light may fail to reach a large depth (the position of the object to be treated 301 is the deepest in the cases shown in FIG. 46). As a result, the concentration distribution of the active species may sometimes be the densest near the light irradiating means 380 and the thinnest on the surface of the object to be treated 301 where it is desired to achieve the densest concentration.

Although the cause is not necessarily clear, the present invention found that imparting an ultrasonic wave together with irradiation of the light made it available the densest concentration near the surface of the object to be treated.

It is therefore possible to increase the concentration of the active species on the surface of the object to be treated by providing the light irradiating means 380 and the ultrasonic element 316, and simultaneously operating the both.

FIG. 47 illustrates a twenty-first embodiment of the fluid treatment apparatus of the invention.

The apparatus of this embodiment comprises a fluid treating path which, after bringing the treatment fluid from the opening 506 into contact with the object to be treated 301, brings the treatment fluid back to the opening 506, an introducing path 510 for introducing the treatment fluid into the fluid treating path, a discharging path 512 for discharging the treatment fluid brought from the fluid treating path 514 back to the opening 506, and liquid sumps 520a and 520b provided around the opening 506. The fluid treating path comprises a gas area GA, a liquid area LA, and a gas-liquid interface BA.

The liquid sumps are continuously formed around the opening 506, so that the liquid sump 520a and the liquid sump 520b in FIG. 47 communicate with each other.

In this embodiment, the discharging path 512 is provided above the liquid sump 520b. The treatment fluid after treatment is therefore discharged only through the liquid sumps.

In this embodiment, the discharging path 512 communicates with the liquid sump 520b through a fine groove 521b. The treatment fluid after treatment collected in the liquid

sumps sucked into the discharging path through the fine groove under the effect of capillary action without dropping and discharged.

A twenty-second embodiment of the fluid treatment apparatus of the invention is illustrated in FIG. 48.

The fluid treatment apparatus of this embodiment comprises a fluid treating path 514 which, after bringing the treatment fluid from the opening 506 into contact with the object to be treated 301, brings the treatment fluid back to the opening 506, and introducing path 510 for introducing the treatment fluid into the fluid treating path 514, a discharging path 512 for discharging the treatment fluid brought from the fluid treating path 514 back to the opening 506, a pressure adjusting port 530 for adjusting the position of the gas-liquid interface communicating with the fluid treating path 514, and liquid sumps 520a and 520b provided around the opening 506. The fluid treating path 514 and the discharging path 512 communicate with each other through the liquid sump 520b.

A treatment liquid serving as the treatment fluid is introduced from the introducing path 510 into the fluid treating path 514 and is brought into contact with the object to be treated 301. By applying an appropriate pressure at the pressure adjusting port, when a gas is present in the treatment fluid, the gas is directed toward the pressure adjusting port and leaves the treatment liquid, thus forming a gas area GA and a liquid area LA in the fluid treating path 514. BA is a gas-liquid interface. The gas from the gas area GA is totally or partially discharged through the pressure adjusting port 530 to outside.

In this embodiment, on the other hand, the treatment liquid is collected in the liquid sumps 520a and 520b. The fluid treating path 514 and the discharging path 512 do not communicate directly with each other, but communicate with each other through the liquid sump 520b and a fine groove 521b. The treatment liquid is therefore collected in the liquid sump 520b, sucked up through the fine groove 521b under the effect of capillary action, and discharged from the discharging path 512.

In this embodiment, an ultrasonic element 516 is provided for the purpose of imparting an ultrasonic wave to the treatment liquid. When an ultrasonic wave or a light is applied to the treatment liquid by means of the ultrasonic element 516, and when the treatment liquid is a washing solution, for example, there is available a remarkable improvement of washing effect. Light irradiating means 580 may be provided at the same position in place of the ultrasonic element 516.

Since the fluid treating path 514 does not communicate directly with the fluid discharging path 512 in this embodiment, the space in the fluid treating path 514 has a close tightness, thus facilitating pressure control in the fluid treating path 514.

FIG. 49 illustrates a twenty-third embodiment of the fluid treatment apparatus of the invention.

This embodiment comprises the embodiment shown in FIG. 48 further provided with light irradiating means 581 arranged on the surface of the ceiling 518 of the fluid treatment apparatus main body between the introducing path 510 and the pressure adjusting port 530.

As described as to the foregoing embodiments, it is possible to conduct sterilization and the like by irradiating a light of an appropriate wavelength to the treatment fluid by the use of the light irradiating means 581. In the present embodiment, the light may be irradiated for the purpose of decomposing the gas in the gas area GA.

The other points are the same as those in the embodiment described with reference to FIG. 48.

Now, embodiments of the washing system will be described.

A washing system is illustrated in FIG. 50.

The washing system of this embodiment is the same as that of the first embodiment of the liquid treatment apparatus of the invention shown in FIG. 40, and comprises gas treatment units 302aF and 302aB communicating with washing units 302bF and 302bB.

More specifically, the washing system of the embodiment comprises a gas treating path 314 which, after bringing the treatment gas from an opening 306 shown in FIG. 40 into contact with the object to be treated 301, brings the treatment gas back to the opening 306, an introducing path 310 for introducing the treatment gas into the gas treating path 314, a discharging path 312 for discharging the treatment gas brought from the gas treating path 314 back to the opening 306, and gas treatment units 302aF and 302aB comprising light irradiating means 380 for irradiating a light onto the treatment gas in the gas treating path 314, which communicate with washing units 302bF and 302bB for washing the object to be treated 301, having been treated by the gas treatment units 302aF and 302aB, with a washing liquid.

This embodiment will be described further in detail below.

When composing a washing system with the use of the gas treatment unit 302 (302aF and 302aB in FIG. 50A) shown in FIG. 40, the openings 306 of the gas treatment units 302aF and 302aB is directed toward the object to be treated 301 as shown in FIG. 50A, and it suffices to provide means for causing relative displacement of the gas treatment units 302aF and 302aB and the object to be treated 301 in the arrow A direction, for example, a roller conveyor (not shown) of the substrate 301.

The washing system has a treatment gas source (not shown) and means (not shown) for feeding the treatment gas from the treatment gas source to the introducing ports 307 of the gas treatment units 302aF and 302aB. A heater, a temperature adjusting unit and a temperature holding unit should preferably be provided at appropriate positions to cope with the necessity to treat the object to be treated at a temperature of 70 to 80° C. as in a stripping step of resist.

With a view to simultaneously conducting gas treatment of both the surface and the back of the object to be treated 301, the gas treatment units 302aF and 302aB are arranged in pair with the object to be treated 301 in between in FIG. 50B.

As shown in FIG. 50B, the pair of gas treatment units 302aF and 302aB are in contact with each other at the both ends thereof to form a tunnel-shaped space, through which the object to be treated 301 travels. Therefore, even when the treatment fluid flows from the end face (a plane perpendicular to the surface of the sheet in the drawing), the flowing treatment fluid can be received by the fluid treatment unit 302aB in the downstream thereof.

Washing units 302bF and 302bB are further provided in the downstream in the travelling direction of the object to be treated 301.

The washing units 302bF and 302bB each comprises a washing treatment path which, after bringing the washing liquid from the opening into contact with the object to be treated, brings the washing liquid back to the opening, an introducing path for introducing the washing liquid into the washing treatment path, another introducing path for introducing the washing liquid brought from the washing treatment path back into the opening into the washing treatment path, and a discharging path for discharging the washing liquid brought from the washing treatment path back into the opening. The system is also provided with pressure control means (not shown). More particularly, the system has the

same basic structure as that of the fluid treatment apparatus shown in FIG. 40, except however that the washing unit having an ultrasonic element attached thereto in place of the washing unit except for light irradiating means or the light irradiating means. Any other appropriate washing unit may of course be used.

Further in the downstream of the washing units 302bF and 302bB, there are provided extra-pure water rinsing units 302cF and 302cB for rinsing with extra-pure water, and IPA dryers 302dF and 302dB for IPA (isopropyl alcohol) drying. The extra-pure water rinsing units 302cF and 302cB and the IPA dryers 302dF and 302dB have the same structure as that of the washing units 302bF and 302bB. However, because the washing efficiency is high for the back (lower surface), the ultrasonic element is provided only for the surface (upper surface). When a single treatment fluid is used for all the purposes of treatment, pressure control may be accomplished with a single pressure controller.

The case where the object to be treated 301 travels horizontally is shown in FIG. 50A. FIG. 51 illustrates a case where the object to be treated 301 is moved in the vertical direction (up-down direction). Since, in this case, the surface and the back of the object to be treated have no up-down relationship, the surface and the back are uniformly washed.

What is claimed is:

1. A wet treatment liquid feed apparatus for subjecting an object to a wet treatment therein, the wet treatment liquid feed apparatus comprising:

a nozzle assembly including:

an introducing pipe having an introducing port to introduce the wet treatment liquid at an end thereof;

a discharging pipe having a discharging port *at an end thereof* to discharge the wet treatment liquid to outside the discharging pipe after the object has been subjected to the wet treatment;

a crossing section *comprising a ceiling* formed by connecting another end of said introducing pipe and an *other end* of said discharging pipe, respectively, *the ceiling thereby providing a lateral spacing between the other end of the introducing pipe and the other end of the discharging pipe*; and

an opening section provided at a bottom of said crossing section and open to the object to be subjected to the wet treatment; [and]

a pressure controller to control a difference between a pressure of the wet treatment liquid in contact with the object to be wet-treated and an atmospheric pressure to prevent the wet treatment liquid in contact with the object to be subjected to the wet treatment via said opening section from flowing to outside said discharging pipe, and

an ultrasonic mechanism to impart an ultrasonic wave to the wet treatment liquid, the ultrasonic mechanism operating at a frequency of at least 19 KHz,

wherein the pressure controller controls the pressure of the wet treatment liquid, including a surface tension of the wet treatment liquid on the object to be wet-treated, such that the pressure of the wet treatment liquid, including the surface tension of the wet treatment liquid on the object to be wet-treated, is substantially equal to the atmospheric pressure.

[2. A wet treatment liquid feed apparatus according to claim 1, further comprising an ultrasonic mechanism to impart an ultrasonic wave to said wet treatment liquid.]

3. A wet treatment liquid feed apparatus according to claim 1, wherein a portion of a ceiling opposite to the treatment surface of said object to be wet-treated is formed into a waved

shape having a plurality of steps, and a plurality of ultrasonic elements are provided at an angle to the treatment surface of the object to be wet-treated on said stepped portion.

4. A wet treatment liquid feed apparatus according to claim 1, wherein said discharging pipe is formed at a center of one side of said crossing section and two introducing pipes are formed around a center of another side of said crossing section.

5. A wet treatment liquid feed apparatus according to claim 1, wherein said introducing pipe is formed at a center of one side of said crossing section and two discharging pipes are formed around a center of another side of said crossing section.

6. A wet treatment liquid feed apparatus according to claim 1, wherein there is provided a measuring section capable of measuring the length of the distance to the wet treatment surface of said object to be wet-treated.

7. A wet treatment apparatus according to claim 1, comprising:

a displacement mechanism to displace said wet treatment liquid feed apparatus and said object to be subjected to wet treatment relative to each other;

a wet treatment liquid feed source to supply the wet treatment liquid; and

a feeding mechanism to feed said wet treatment liquid from said wet treatment liquid feed source to the introducing port of said wet treatment liquid feed apparatus.

8. A wet treatment liquid feed apparatus of claim 1, wherein the crossing section is substantially rectangularly parallelepiped.

9. A wet treatment liquid feed apparatus of claim 1, wherein the introducing pipe extends upwards from a longitudinal side of the crossing section.

10. A wet treatment liquid feed apparatus of claim 1, wherein the discharging pipe extends upwards from a longitudinal side of the crossing section.

11. A wet treatment liquid feed apparatus of claim 1, wherein the crossing section is substantially rectangularly parallelepiped and the introducing pipe and discharging pipe extends upwards from opposing longitudinal sides of the crossing section.

12. A system for treating a surface segment of an object with treatment material, the system comprising:

a treatment cavity comprising a ceiling, the cavity substantially free from air;

an entry through which the treatment material enters the cavity;

a exit through which the treatment material exits the cavity, the exit being disposed a lateral distance away from the entry as defined by the ceiling;

an opening in the cavity located in the cavity for exposing the surface segment to the treatment material, and

an ultrasonic mechanism to impart an ultrasonic wave to the wet treatment liquid, the ultrasonic mechanism operating at a frequency of at least 19 KHz,

wherein the treatment material comprises a liquid and the pressure of the treatment material, including a surface tension of the treatment material on the object to be wet-treated, is substantially equal to an atmospheric pressure.

13. The system of claim 12, further comprising a displacement mechanism to displace the system and the object relative to each other.

14. The system of claim 12, further comprising a controller to maintain a constant distance between the opening and the surface.

15. The system of claim 12, wherein the cavity has a plurality of compartments.

16. The system of claim 12, wherein the treatment material forms a seal.

17. The system of claim 16, further comprising a controller that controls a pressure difference between a pressure of the treatment material and pressure external to the system.

18. The system of claim 16, further comprising a lattice defining multiple apertures at the opening.

19. The system of claim 12, further comprising one of an auxiliary entry and an auxiliary exit disposed between the exit and the surface and that communicates with the cavity.

20. The system of claim 12, further comprising an extension that extends inward from the edge such that the opening is smaller than an area defined by the edge.

21. The system of claim 12, wherein a seal comprising one of cilia and a film substantially prevents flow of the treating material from the opening.

22. The system of claim 12, further comprising an auxiliary entry disposed between the exit and the entry and communicating with the exit such that new treatment material may be introduced into the exit.

23. The system of claim 12, further comprising a parallel flow section in parallel with the surface, the parallel flow section formed in at least one of the entry, the exit and between the entry and exit.

24. The system of claim 12, further comprising at least two entries with the exit disposed between the entries.

25. The system of claim 12, further comprising at least two exits with the entry disposed between the exits.

26. The system of claim 12, wherein an area of the opening is variable.

27. The system of claim 12, wherein a ceiling of the cavity has a plurality of stepped portions, at least one of an ultrasonic element and radiation source is provided on the stepped portions such that the at least one of the ultrasonic element and radiation source is oriented non-parallel to the surface of the object.

28. The apparatus of claim 12, wherein a seal comprising a film substantially prevents flow of the treating material from the opening.

29. The wet treatment liquid feed apparatus of claim 12, wherein the frequency is within a range of from 0.2 to 5 MHz.

30. The wet treatment liquid feed apparatus of claim 12, wherein the ultrasonic mechanism is disposed at an angle with respect to the surface segment of the object.

31. The wet treatment liquid feed apparatus of claim 30, wherein the angle is in the range of from 2° to 45°.

32. The wet treatment liquid feed apparatus of claim 12, wherein the ultrasonic mechanism is disposed on the ceiling of the treatment cavity.

33. The wet treatment liquid feed apparatus of claim 12, further comprising a mechanism for causing a relative displacement of the object to be wet treated and the treatment cavity.

34. An apparatus to subject a portion of a surface of an object to a treatment material, the apparatus comprising:

a treating section having an opening through which the object is exposed to the treating section;

two or more introducing conduits from which the treatment material is introduced to the treating section; and

a discharging conduit from which the treatment material is discharged,

wherein the treatment material removes particles at the surface of the object and the apparatus maintains sufficient contact efficiency between the surface and the

45

treatment material to substantially prevent re-adhesion of the particles to the object, wherein the treatment material comprises a liquid and the pressure of the treatment material, including a surface tension of the treatment material on the object to be wet-treated, is substantially equal to an atmospheric pressure, and wherein the discharging conduit is provided at a right angle to the portion of the surface and the introducing conduits are symmetrically provided about the discharging conduit.

35. The apparatus of claim 34, further comprising a displacement mechanism to displace the apparatus and the object relative to each other.

36. The apparatus of claim 34, further comprising a controller to maintain a constant distance between the opening and the surface.

37. The apparatus of claim 34, wherein the treating section has a plurality of compartments.

38. The apparatus of claim 34, wherein the treatment material forms a seal, a pressure difference between a pressure of the treatment material and pressure external to the apparatus controlled by a controller.

39. The apparatus of claim 34, further comprising a lattice defining multiple apertures at the opening.

40. The apparatus of claim 34, further comprising an auxiliary conduit disposed between the exit and the surface and that communicates with the crossing section.

41. The apparatus of claim 34, further comprising an extension that extends inward from an edge of the treating section such that the opening is smaller than an area defined by the edge of the treating section.

42. The apparatus of claim 34, wherein a seal comprising one of cilia and a film substantially prevents flow of the treating material from the opening.

43. The apparatus of claim 34, further comprising an auxiliary introducing conduit disposed between the discharging conduit and the introducing conduit and communicating with the exit such that new treatment material may be introduced into the exit.

44. The apparatus of claim 34, further comprising a parallel flow section in parallel with the surface, the parallel flow section formed in at least one of the introducing conduit, the discharging conduit, and between the introducing conduit and discharging conduit.

45. The apparatus of claim 34, further comprising at least two introducing conduits with the discharging conduit disposed between the introducing conduits.

46. The apparatus of claim 34, further comprising at least two discharging conduits with the introducing conduits disposed between the discharging conduits.

47. The apparatus of claim 34, wherein an area of the opening is variable.

48. The apparatus of claim 34, wherein a ceiling of the crossing section has a plurality of stepped portions, at least one of an ultrasonic element and radiation source is provided on the stepped portions such that the at least one of the ultrasonic element and radiation source is oriented non-parallel to the surface of the object.

49. An apparatus to subject an object to a treatment material, the apparatus comprising:

a nozzle assembly including:

two or more introducing pipes each having an introducing port to introduce the treatment material;

46

a discharging pipe having a discharging port to discharge the treatment material to outside the discharging pipe after treatment material has contacted the object;

a crossing section connecting each of the introducing pipes and the discharging pipe; and

an opening provided adjacent to the crossing section to allow the treatment material to contact the object and define a contact region; and

a seal to substantially prevent the treatment material from flowing outside of the contact region and to substantially prevent material other than at least one of the treatment material and reactants resulting from treatment of the object from entering the opening,

wherein the treatment material comprises a liquid and the pressure of the treatment material, including a surface tension of the treatment material on the object to be wet-treated, is substantially equal to an atmospheric pressure, and

wherein the discharging pipe is provided at a right angle to the object and the introducing pipes are symmetrically provided about the discharging pipe.

50. The apparatus of claim 49, further comprising a displacement mechanism to displace the apparatus and the object relative to each other.

51. The apparatus of claim 49, further comprising a controller to maintain a constant distance between the opening and the surface.

52. The apparatus of claim 49, wherein the crossing section has a plurality of compartments.

53. The apparatus of claim 49, wherein the treatment material forms the seal, a pressure difference between a pressure of the treatment material and pressure external to the apparatus controlled by a controller.

54. The apparatus of claim 49, further comprising a lattice defining multiple apertures at the opening.

55. The apparatus of claim 49, further comprising an auxiliary pipe disposed between the discharging pipe and the surface and that communicates with the crossing section.

56. The apparatus of claim 49, further comprising an extension that extends inward from an edge of the crossing section such that the opening is smaller than an area defined by the edge of the crossing section.

57. The apparatus of claim 49, wherein the seal comprises one of cilia and a film.

58. The apparatus of claim 49, further comprising an auxiliary introducing pipe disposed between the discharging pipe and the introducing pipe and communicating with the discharging pipe such that new treatment material may be introduced into the discharging pipe.

59. The apparatus of claim 49, further comprising a parallel flow section in parallel with the surface, the parallel flow section formed in at least one of the introducing pipe, the discharging pipe, and between the introducing pipe and discharging pipe.

60. The apparatus of claim 49, further comprising at least two introducing pipes with the discharging pipe disposed between the introducing pipes.

61. The apparatus of claim 49, further comprising at least two discharging pipes with the introducing pipe disposed between the discharging pipes.

62. The apparatus of claim 49, wherein an area of the opening is variable.

63. The apparatus of claim 49, wherein a ceiling of the crossing section has a plurality of stepped portions, at least

47

one of an ultrasonic element and radiation source is provided on the stepped portions such that the at least one of the ultrasonic element and radiation source is oriented non-parallel to the surface of the object.

64. An apparatus for treating a portion of a surface of an object, the apparatus comprising:

an entry through which a treatment material enters the apparatus;

an exit through which the treatment material exits the apparatus; and

a treatment portion comprising a ceiling permitting contact between the treatment material and a portion of the surface of the object being treated, the ceiling providing a lateral distance between the entry and the exit, and

an ultrasonic mechanism to impart an ultrasonic wave to the wet treatment liquid, the ultrasonic mechanism operating at a frequency of at least 19 KHz,

wherein contact between the treatment material and the portion of the surface occurs in a state substantially excluding gas external to the apparatus, and

wherein the treatment material comprises a liquid and the pressure of the treatment material, including a surface tension of the treatment material on the object to be wet-treated, is substantially equal to an atmospheric pressure.

65. A wet treatment liquid feed apparatus for subjecting an object to a wet treatment therein, the wet treatment liquid feed apparatus comprising:

48

a nozzle assembly including:

an introducing pipe having an introducing port to introduce the wet treatment liquid at an end thereof;

a discharging pipe having a discharging port to discharge the wet treatment liquid to outside the discharging pipe after the object has been subjected to the wet treatment;

a crossing section formed by connecting another end of said introducing pipe and an end of said discharging pipe, respectively; and

an opening section provided at a bottom of said crossing section and open to the object to be subjected to the wet treatment; and

a pressure controller to control a difference between a pressure of the wet treatment liquid in contact with the object to be wet-treated and an atmospheric pressure to prevent the wet treatment liquid in contact with the object to be subjected to the wet treatment via said opening section from flowing to outside said discharging pipe, and

wherein a portion of a ceiling opposite to the treatment surface of the object to be wet-treated is formed into a waved shape having a plurality of steps, and a plurality of ultrasonic elements are provided at an angle to the treatment surface of the object to be wet-treated on the stepped portion.

* * * * *