



US00RE42486E

(19) **United States**
(12) **Reissued Patent**
Peled et al.

(10) **Patent Number:** **US RE42,486 E**
(45) **Date of Reissued Patent:** **Jun. 28, 2011**

(54) **PRECIOUS STONE**

(56) **References Cited**

(75) Inventors: **Shraga Peled**, Ramat Gan (IL); **Efraim Aloof**, Netanya (IL)

(73) Assignee: **Peled Diamonds Ltd.**, Ramat Gan (IL)

(**) Term: **14 Years**

(21) Appl. No.: **29/338,342**

(22) Filed: **Jun. 9, 2009**

Related U.S. Patent Documents

Reissue of:

(64) Patent No.: **Des. 574,288**
Issued: **Aug. 5, 2008**
Appl. No.: **29/277,435**
Filed: **Feb. 26, 2007**

(30) **Foreign Application Priority Data**

Aug. 31, 2006 (CH) 133201

(51) **LOC (9) Cl.** **11-01**

(52) **U.S. Cl.** **D11/90**

(58) **Field of Classification Search** D11/1-2,
D11/26-29, 89-92; 63/26-28, 32
See application file for complete search history.

U.S. PATENT DOCUMENTS

D262,200 S * 12/1981 Kirwan D11/90
D276,143 S * 10/1984 Williams D11/121
D372,883 S * 8/1996 Adler D11/89
D373,971 S * 9/1996 Katz D11/90
D384,593 S * 10/1997 Katz D11/90
D392,590 S * 3/1998 Bachar D11/90
D402,913 S * 12/1998 Katz D11/90
D462,634 S * 9/2002 Cohen D11/90
D465,431 S * 11/2002 Kanner D11/90
D501,423 S * 2/2005 Tolkowsky D11/90

* cited by examiner

Primary Examiner — Ralf Seifert

(74) *Attorney, Agent, or Firm* — Fennemore Craig, P.C.

(57) **CLAIM**

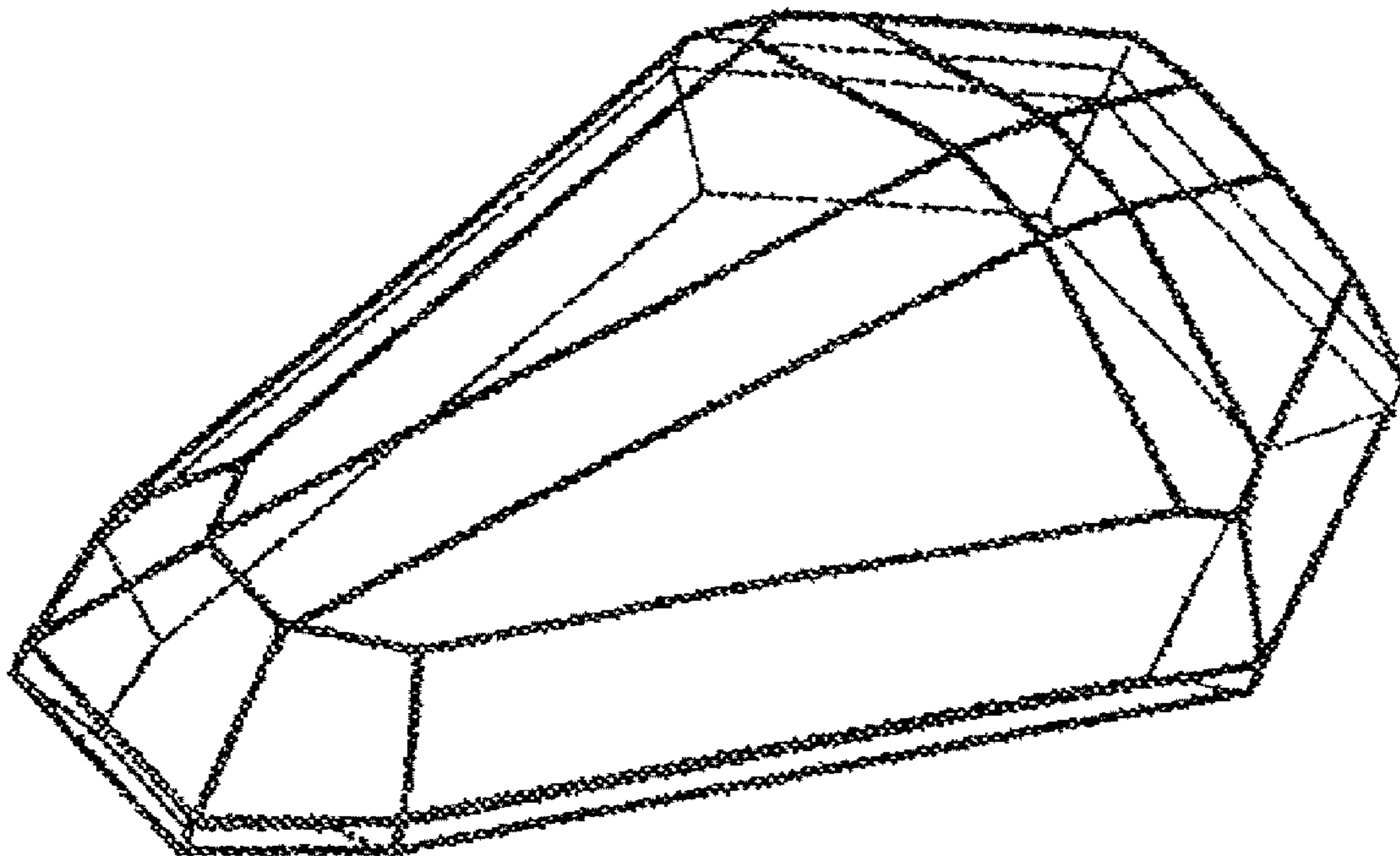
The ornamental design for a precious stone, as shown and described.

DESCRIPTION

FIG. 1 is top plan view of a precious stone showing my new design;
FIG. 2 is a bottom plan view;
FIG. 3 is a front elevational view;
FIG. 4 is a rear elevational view;
FIG. 5 is side elevational view; and,
FIG. 6 is a bottom perspective view.

1 Claim, 6 Drawing Sheets

Matter enclosed in heavy brackets [] appears in the original patent, but forms no part of this reissue; matter printed in italics indicates the additions made by reissue.



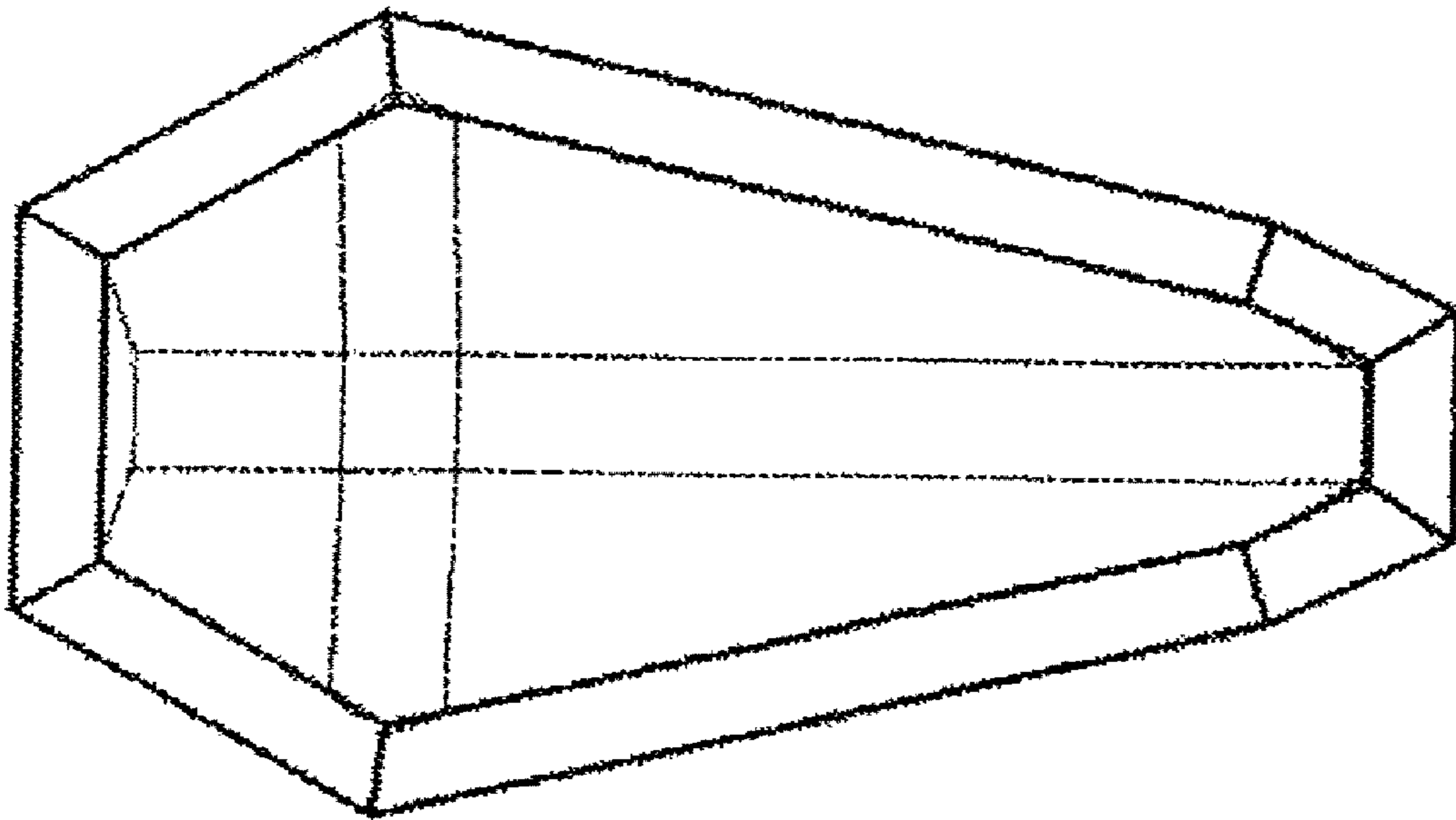


Fig. 1

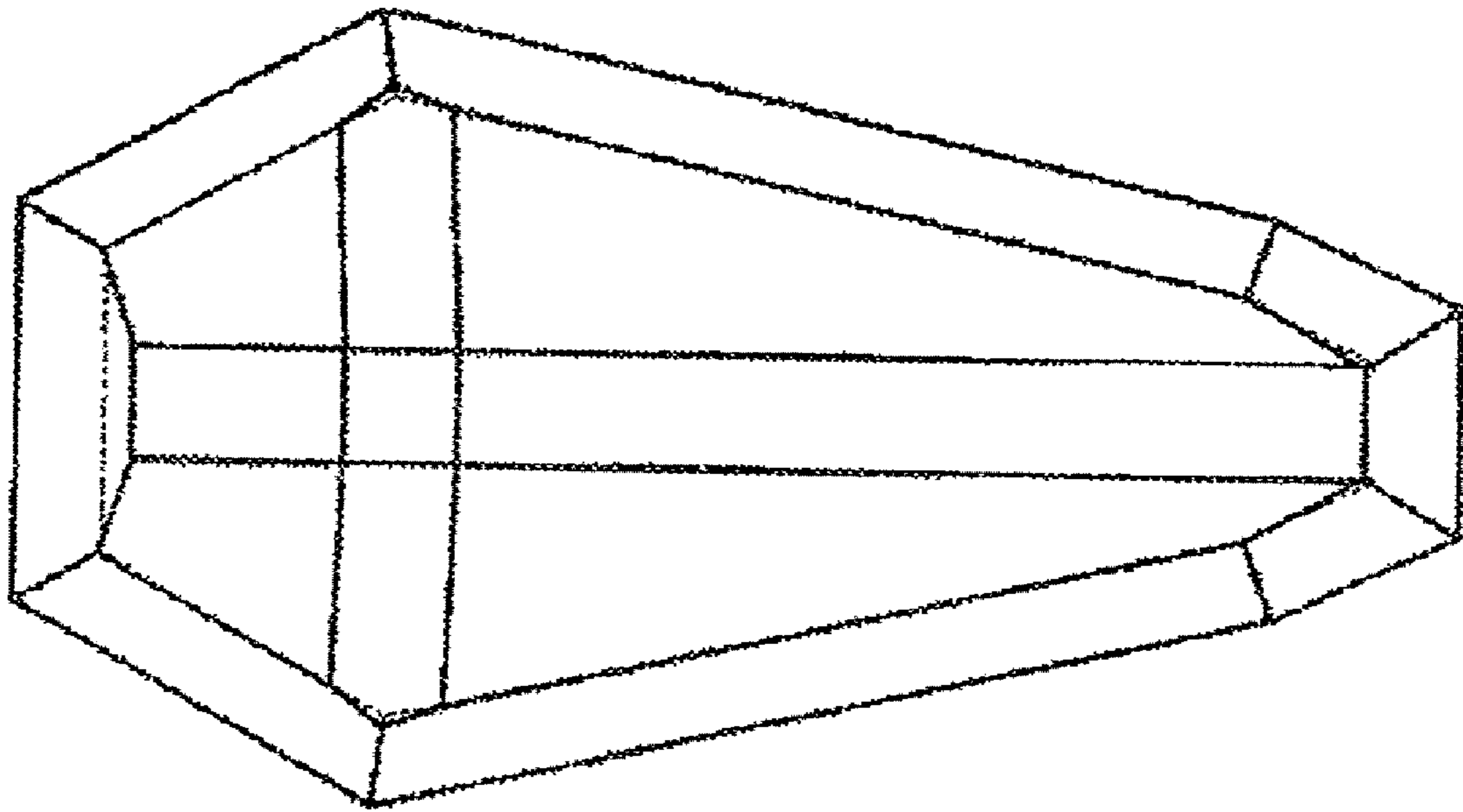


Fig. 2

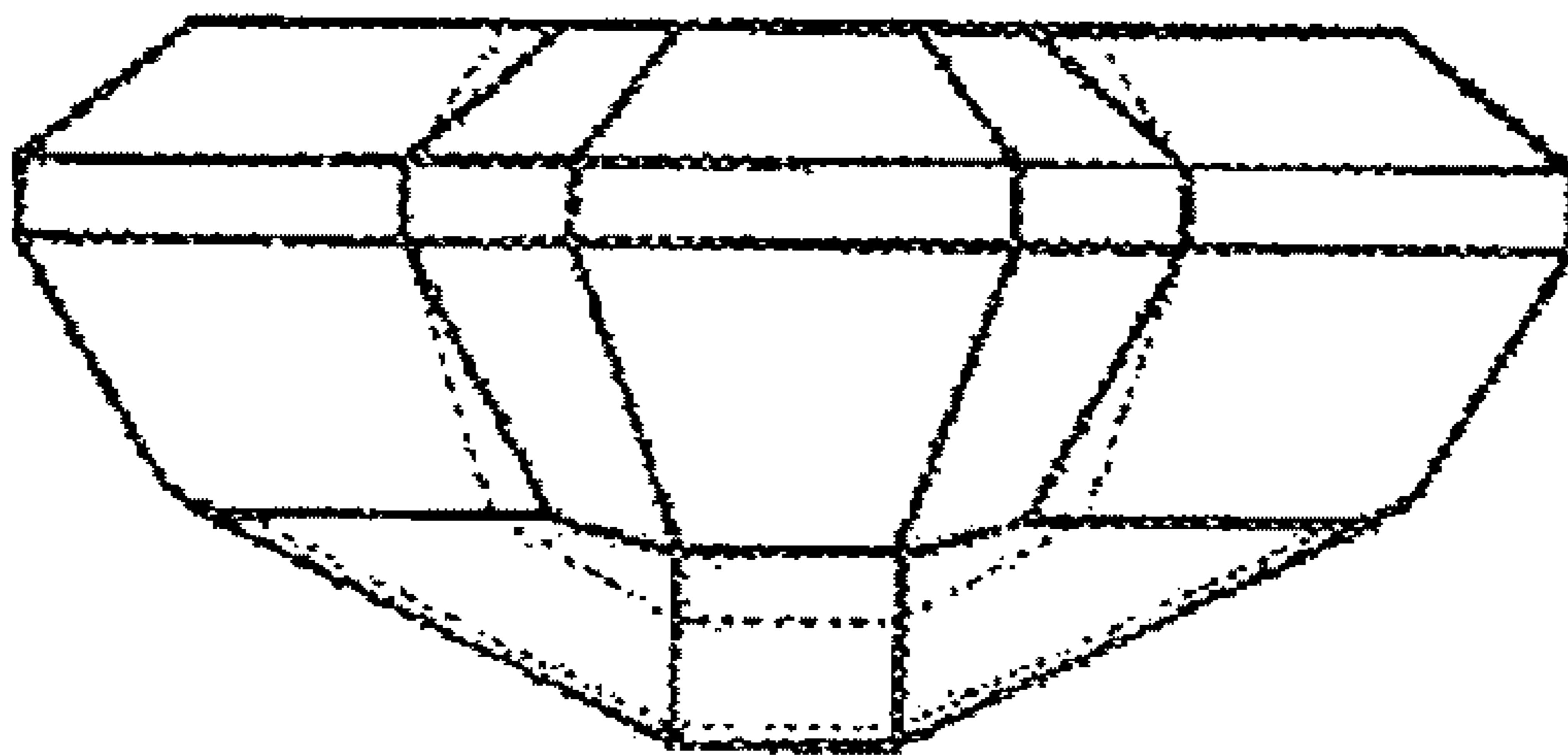


Fig. 3

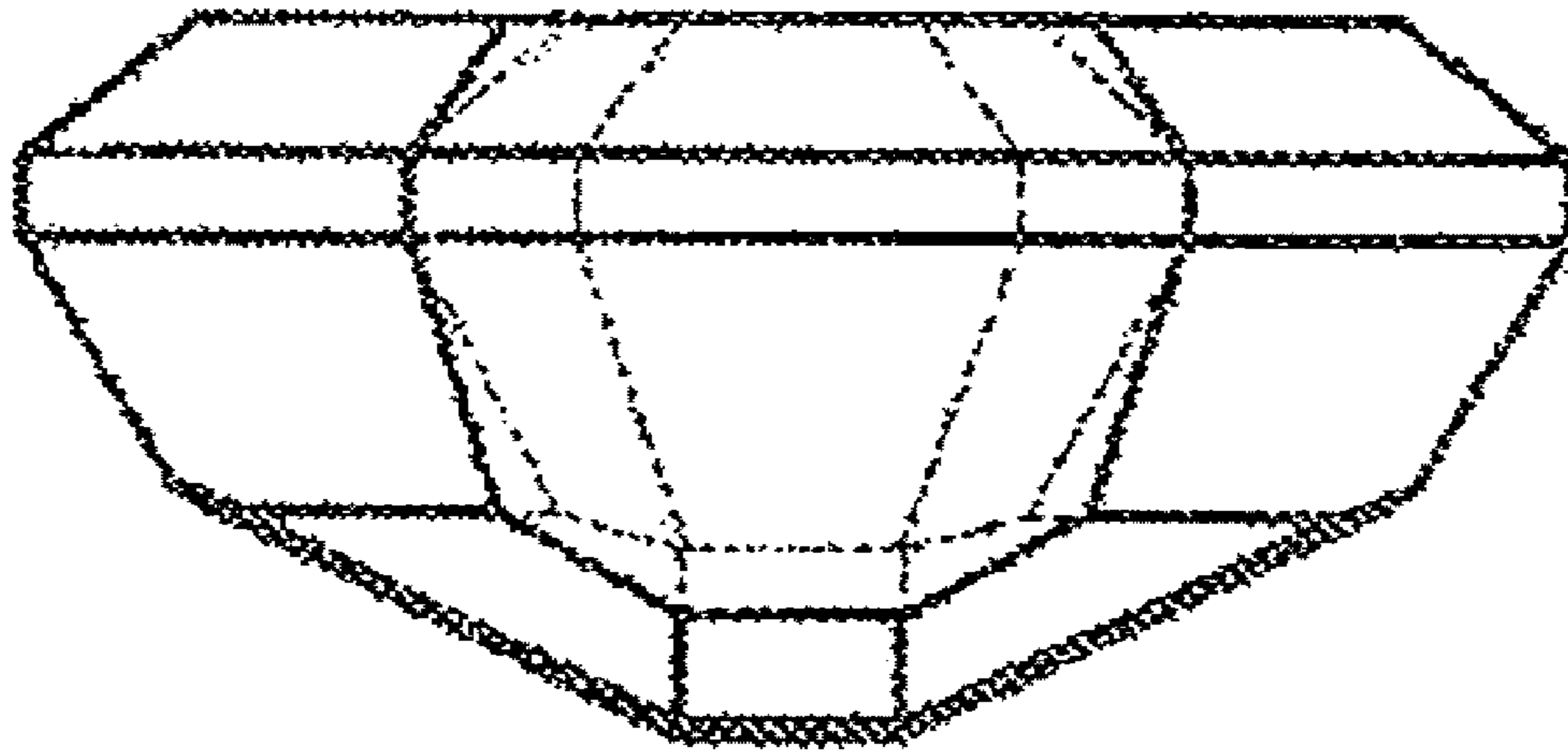


Fig. 4

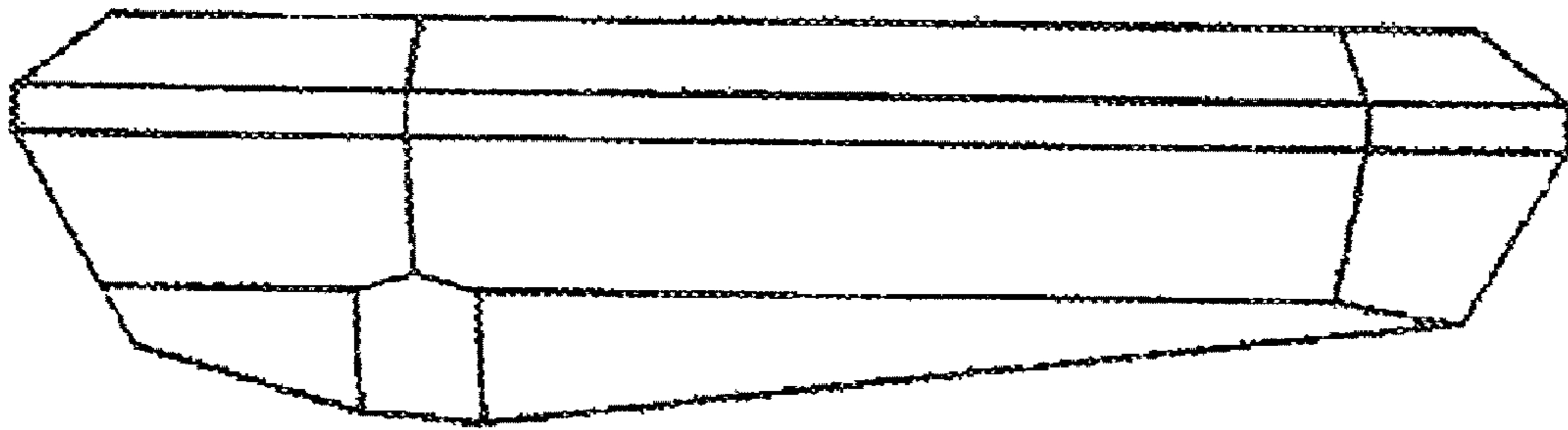


Fig. 5

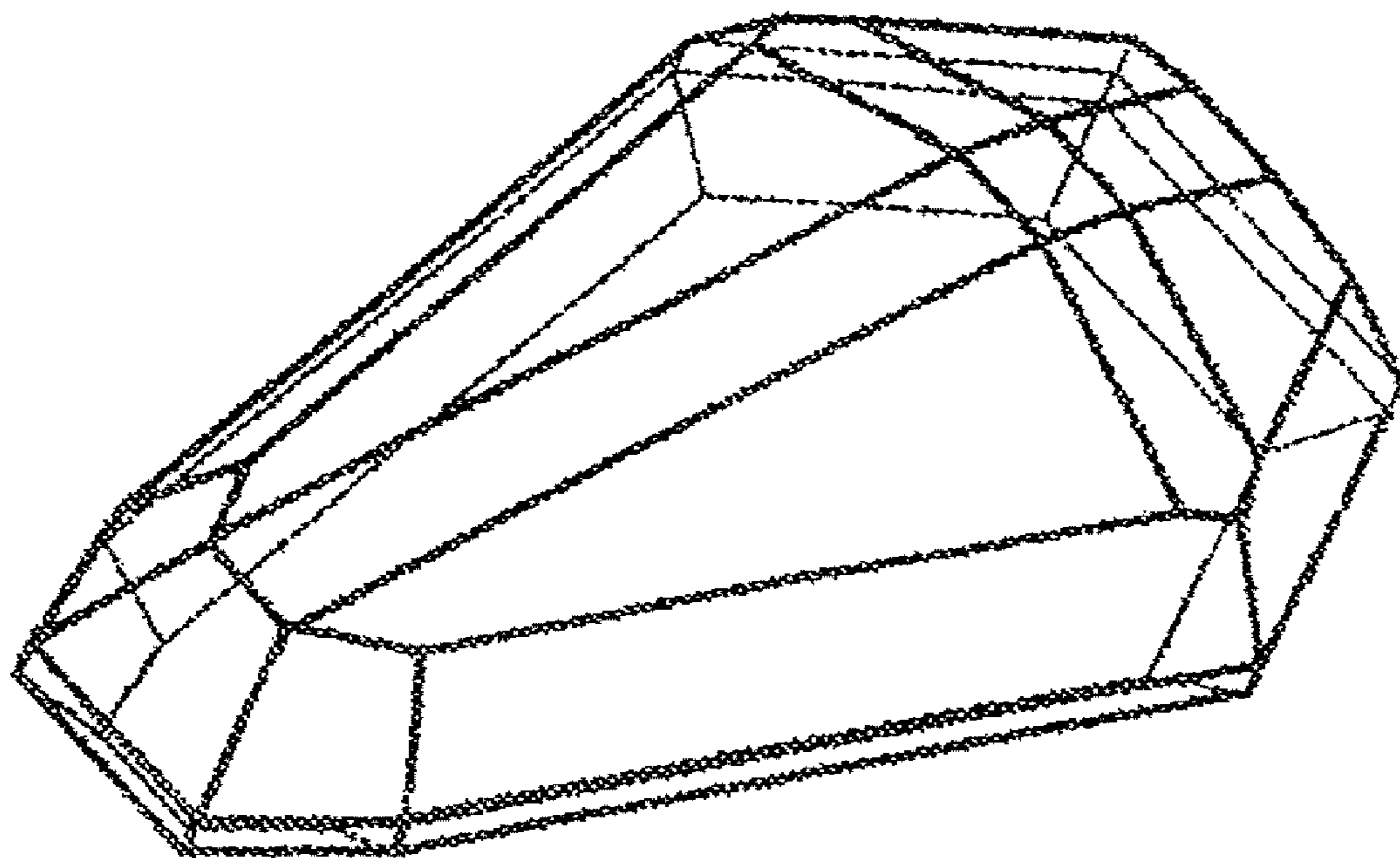


Fig. 6