

US00RE42277E

(19) **United States**  
(12) **Reissued Patent**  
**Jaafar et al.**

(10) **Patent Number:** **US RE42,277 E**  
(45) **Date of Reissued Patent:** **Apr. 5, 2011**

(54) **APPARATUS AND METHOD FOR REDUCING SUBCUTANEOUS FAT DEPOSITS, VIRTUAL FACE LIFT AND BODY SCULPTURING BY ELECTROPORATION**

4,226,246 A 10/1980 Fragnet  
4,262,672 A 4/1981 Kief  
4,407,943 A 10/1983 Cole et al.  
4,810,963 A 3/1989 Blake-Coleman et al.

(Continued)

(75) Inventors: **Ali Jaafar**, Eden Prairie, MN (US);  
**Victor I. Chornenky**, Minnetonka, MN (US)

**FOREIGN PATENT DOCUMENTS**

DE 863111 1/1953

(Continued)

(73) Assignee: **AngioDynamics, Inc.**, Latham, NY (US)

**OTHER PUBLICATIONS**

(\*) Notice: This patent is subject to a terminal disclaimer.

Amasha, et al., Quantitative Assessment of Impedance Tomography for Temperature Measurements in Microwave Hyperthermia, *Clin. Phys. Physiol. Meas.*, 1998, Suppl. A, 49-53.

(Continued)

(21) Appl. No.: **12/571,927**

(22) Filed: **Oct. 1, 2009**

**Related U.S. Patent Documents**

Reissue of:

(64) Patent No.: **6,892,009**  
Issued: **May 10, 2005**  
Appl. No.: **09/931,672**  
Filed: **Aug. 17, 2001**

U.S. Applications:

(60) Provisional application No. 60/267,106, filed on Feb. 8, 2001, provisional application No. 60/225,775, filed on Aug. 17, 2000.

(51) **Int. Cl.**  
**A61N 1/18** (2006.01)

(52) **U.S. Cl.** ..... **607/72; 607/50**

(58) **Field of Classification Search** ..... 607/2, 46, 607/48, 50, 68-76, 142, 145, 146, 148  
See application file for complete search history.

(56) **References Cited**

**U.S. PATENT DOCUMENTS**

1,653,819 A 12/1927 Northcott et al.  
4,016,886 A 4/1977 Doss

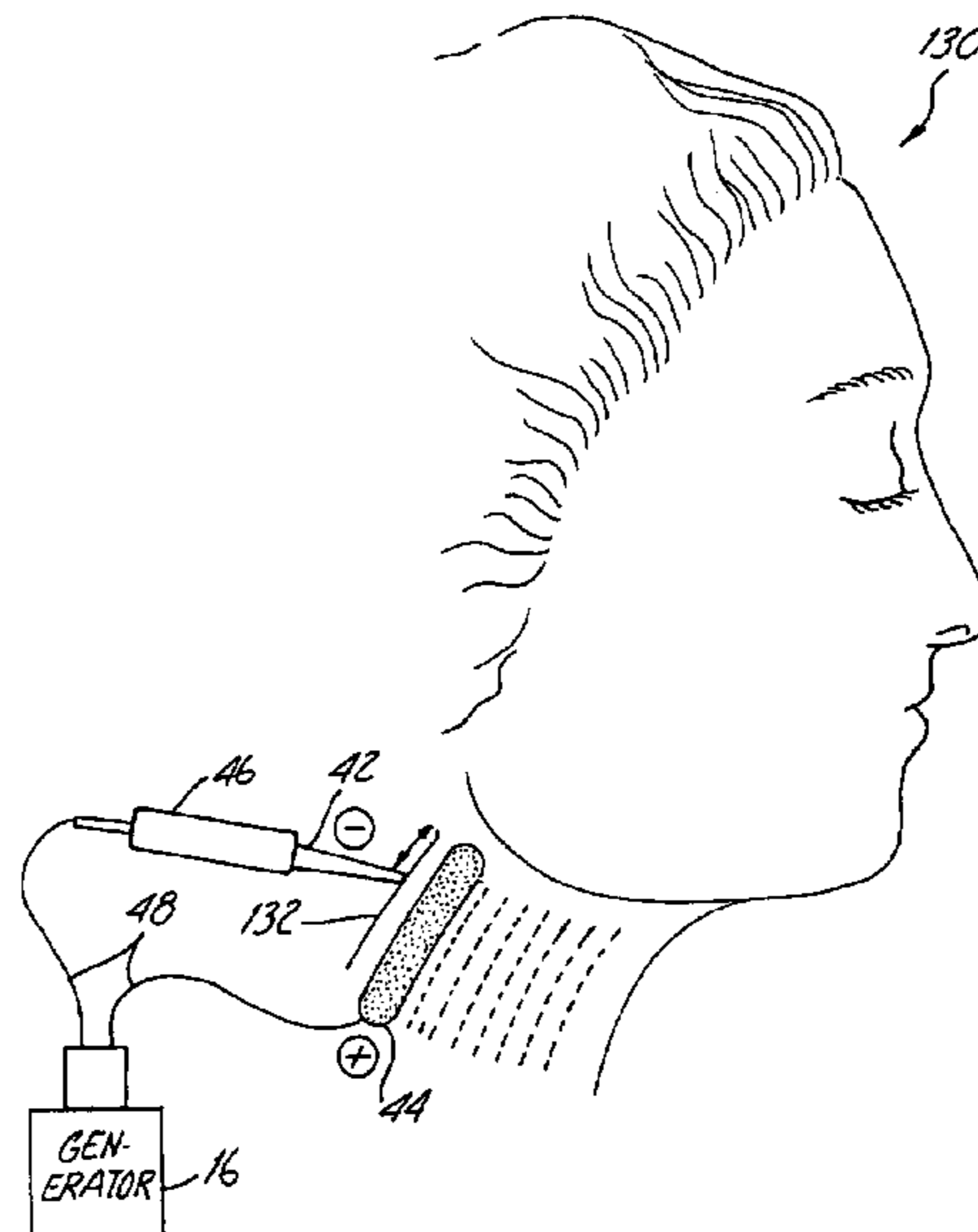
*Primary Examiner* — Scott M Getzow

(74) *Attorney, Agent, or Firm* — Harry K. Ahn; Abelman Frayne & Schwab

(57) **ABSTRACT**

An apparatus and method for performing non-invasive treatment of the human face and body by electroporation in lieu of cosmetic surgery is provided. The apparatus comprises a high voltage pulse generator and an applicator having two or more electrodes in close mechanical and electrical contact with the patient's skin for applying the pulses to the patient's skin. The applicator may consist of two pieces with one electrode having a sharp tip and another having a flat surface. High voltage pulses delivered to the electrodes create at the tip of the sharp electrode an electric field high enough to cause death of relatively large subcutaneous fat cells by electroporation. Moving the electrode tip along the skin creates a line of necrotic subcutaneous fat cells, which later are metabolized by the body. Multiple applications of the electrode along predetermined lines on the face or neck create shrinkage of the skin and the subcutaneous fat volume underlying the treated area.

**10 Claims, 6 Drawing Sheets**



# US RE42,277 E

Page 2

## U.S. PATENT DOCUMENTS

4,907,601	A	3/1990	Frick	6,669,691	B1	12/2003	Taimisto
4,946,793	A	8/1990	Marshall, III	6,692,493	B2	2/2004	McGovern et al.
5,019,034	A	5/1991	Weaver et al.	6,697,669	B2	2/2004	Dev et al.
5,052,391	A	10/1991	Silberstone et al.	6,697,670	B2	2/2004	Chornenky et al.
5,058,605	A	10/1991	Slovak	6,702,808	B1	3/2004	Kreindel
5,098,843	A	3/1992	Calvin	6,795,728	B2	9/2004	Chornenky et al.
5,134,070	A	7/1992	Casnig	6,801,804	B2	10/2004	Miller et al.
5,173,158	A	12/1992	Schmukler	6,865,416	B2	3/2005	Dev et al.
5,193,537	A	3/1993	Freeman	6,892,099	B2	5/2005	Jaafar et al.
5,273,525	A	12/1993	Hofmann	6,912,417	B1	6/2005	Bernard et al.
5,283,194	A	2/1994	Schmukler	6,927,049	B2	8/2005	Rubinsky et al.
5,318,563	A	6/1994	Malis et al.	6,962,587	B2	11/2005	Johnson et al.
5,328,451	A	7/1994	Davis et al.	6,972,014	B2	12/2005	Eum et al.
5,389,069	A	2/1995	Weaver	6,994,706	B2	2/2006	Chornenky et al.
5,403,311	A	4/1995	Abele et al.	7,053,063	B2	5/2006	Rubinsky et al.
5,425,752	A	6/1995	Vu'Nguyen	7,063,698	B2	6/2006	Whayne et al.
5,439,440	A	8/1995	Hofmann	7,130,697	B2	10/2006	Chornenky et al.
5,458,625	A	10/1995	Kendall	7,211,083	B2	5/2007	Chornenky et al.
5,533,999	A	7/1996	Hood et al.	7,267,676	B2	9/2007	Chornenky et al.
5,536,240	A	7/1996	Edwards et al.	2001/0044596	A1	11/2001	Jaafar
5,575,811	A	11/1996	Reid et al.	2002/0010491	A1	1/2002	Schoenbach
5,626,146	A	5/1997	Barber et al.	2002/0055731	A1	5/2002	Atala et al.
5,634,899	A	6/1997	Shapland et al.	2002/0077676	A1	6/2002	Schroepel et al.
5,674,267	A	10/1997	Mir et al.	2002/0099323	A1	7/2002	Dev et al.
5,702,359	A	12/1997	Hofmann	2002/0138117	A1	9/2002	Son
5,720,921	A	2/1998	Meserol	2002/0193831	A1	12/2002	Smith, III
5,778,894	A	7/1998	Dorogi et al.	2003/0009110	A1	1/2003	Tu et al.
5,782,882	A	7/1998	Lerman et al.	2003/0060856	A1	3/2003	Chornenky et al.
5,800,378	A	9/1998	Edwards et al.	2003/0088189	A1	5/2003	Tu et al.
5,810,762	A	9/1998	Hofmann	2003/0130711	A1	7/2003	Pearson et al.
5,836,905	A	11/1998	Lemelson et al.	2003/0170898	A1	9/2003	Gundersen et al.
5,843,026	A	12/1998	Edwards et al.	2003/0208200	A1	11/2003	Palanker et al.
5,873,849	A	2/1999	Bernard	2003/0225360	A1	12/2003	Eppstein et al.
5,919,142	A	7/1999	Boone et al.	2004/0019371	A1	1/2004	Jaafar et al.
5,947,889	A	9/1999	Hehrlein	2004/0059389	A1	3/2004	Chornenky et al.
5,983,131	A	11/1999	Weaver et al.	2004/0146877	A1	7/2004	Diss et al.
5,991,697	A	11/1999	Nelson et al.	2004/0153057	A1	8/2004	Davison
5,999,847	A	12/1999	Elstrom	2004/0243107	A1	12/2004	Mackoviak
6,009,347	A	12/1999	Hofmann	2004/0267189	A1	12/2004	Mavor et al.
6,010,613	A	1/2000	Walters et al.	2005/0043726	A1	2/2005	McHale et al.
6,016,452	A	1/2000	Kasevich	2005/0049541	A1	3/2005	Behar et al.
6,041,252	A	3/2000	Walker et al.	2005/0165393	A1	7/2005	Eppstein
6,055,453	A	4/2000	Hofmann et al.	2005/0171523	A1	8/2005	Rubinsky et al.
6,068,650	A	5/2000	Nanda et al.	2005/0171574	A1	8/2005	Rubinsky et al.
6,085,115	A	7/2000	Weaver et al.	2005/0182462	A1	8/2005	Chornenky et al.
6,090,016	A	7/2000	Kuo	2005/0261672	A1	11/2005	Deem et al.
6,102,885	A	8/2000	Bass	2005/0288730	A1	12/2005	Deem et al.
6,106,521	A	8/2000	Blewett et al.	2006/0015147	A1	1/2006	Persson et al.
6,109,270	A	8/2000	Mah et al.	2006/0025760	A1	2/2006	Podhajsky
6,122,599	A	9/2000	Mehta	2006/0079883	A1	4/2006	Elmouelhi et al.
6,132,419	A	10/2000	Hofmann	2006/0121610	A1	6/2006	Rubinsky et al.
6,159,163	A	12/2000	Strauss et al.	2006/0212078	A1	9/2006	Demarais et al.
6,208,893	B1	3/2001	Hofmann	2006/0217703	A1	9/2006	Chornenky et al.
6,210,402	B1	4/2001	Olsen et al.	2006/0264752	A1	11/2006	Rubinsky et al.
6,212,433	B1	4/2001	Behl	2007/0043345	A1	2/2007	Davalos et al.
6,216,034	B1	4/2001	Hofmann	2007/0118069	A1	5/2007	Persson et al.
6,219,577	B1	4/2001	Brown et al.	2008/0052786	A1	2/2008	Lin et al.
6,241,702	B1	6/2001	Lundquist et al.				
6,261,831	B1	7/2001	Agee				
6,278,895	B1	8/2001	Bernard				
6,300,108	B1	10/2001	Rubinsky				
6,326,177	B1	12/2001	Schoenbach et al.				
6,347,247	B1	2/2002	Dev et al.				
6,349,233	B1	2/2002	Adams				
6,351,674	B2	2/2002	Silverstone				
6,387,671	B1	5/2002	Rubinsky et al.				
6,403,348	B1	6/2002	Rubinsky et al.				
6,470,211	B1	10/2002	Ideker et al.				
6,482,619	B1	11/2002	Rubinsky et al.				
6,493,592	B1	12/2002	Leonard et al.				
6,500,173	B2	12/2002	Underwood et al.				
6,526,320	B2	2/2003	Mitchell				
6,562,604	B2	5/2003	Rubinsky et al.				
6,607,529	B1	8/2003	Jones et al.				
6,611,706	B2	8/2003	Avrahami et al.				
6,613,211	B1	9/2003	McCormick et al.				
6,627,421	B1	9/2003	Unger et al.				
6,653,091	B1	11/2003	Dunn et al.				

## FOREIGN PATENT DOCUMENTS

DE	4000893	7/1991
EP	0378132	7/1990
EP	0935482	5/2005
WO	9639531	12/1996
WO	0020554	4/2000
WO	0107583	2/2001
WO	0107584	2/2001
WO	0107585	2/2001
WO	0181533	11/2001
WO	04037341	5/2004

## OTHER PUBLICATIONS

Andreason, Electroporation as a Technique for the Transfer of Macromolecules into Mammalian Cell Lines, *J. Tiss. Cult. Meth.*, 15:56-62, 1993.

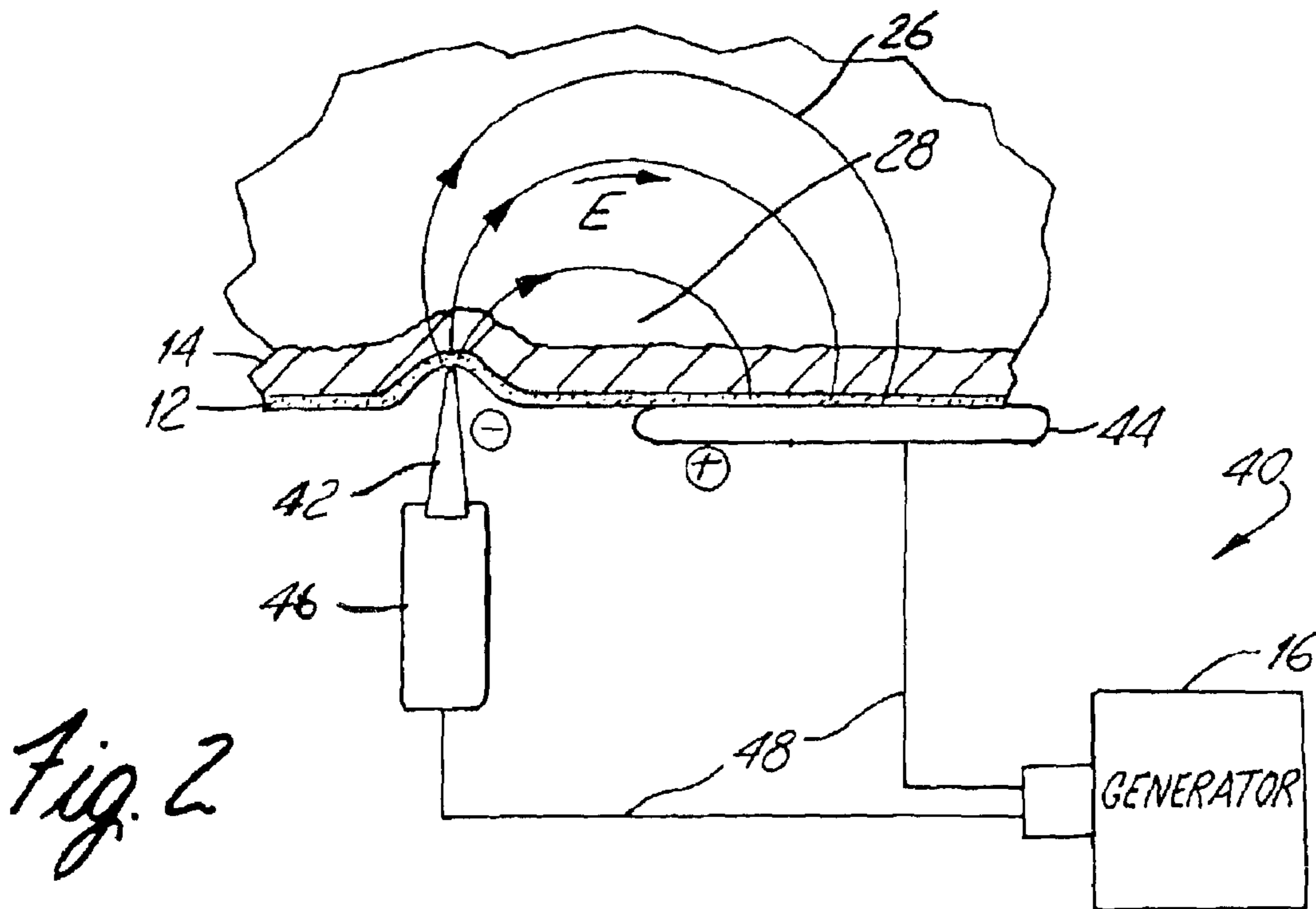
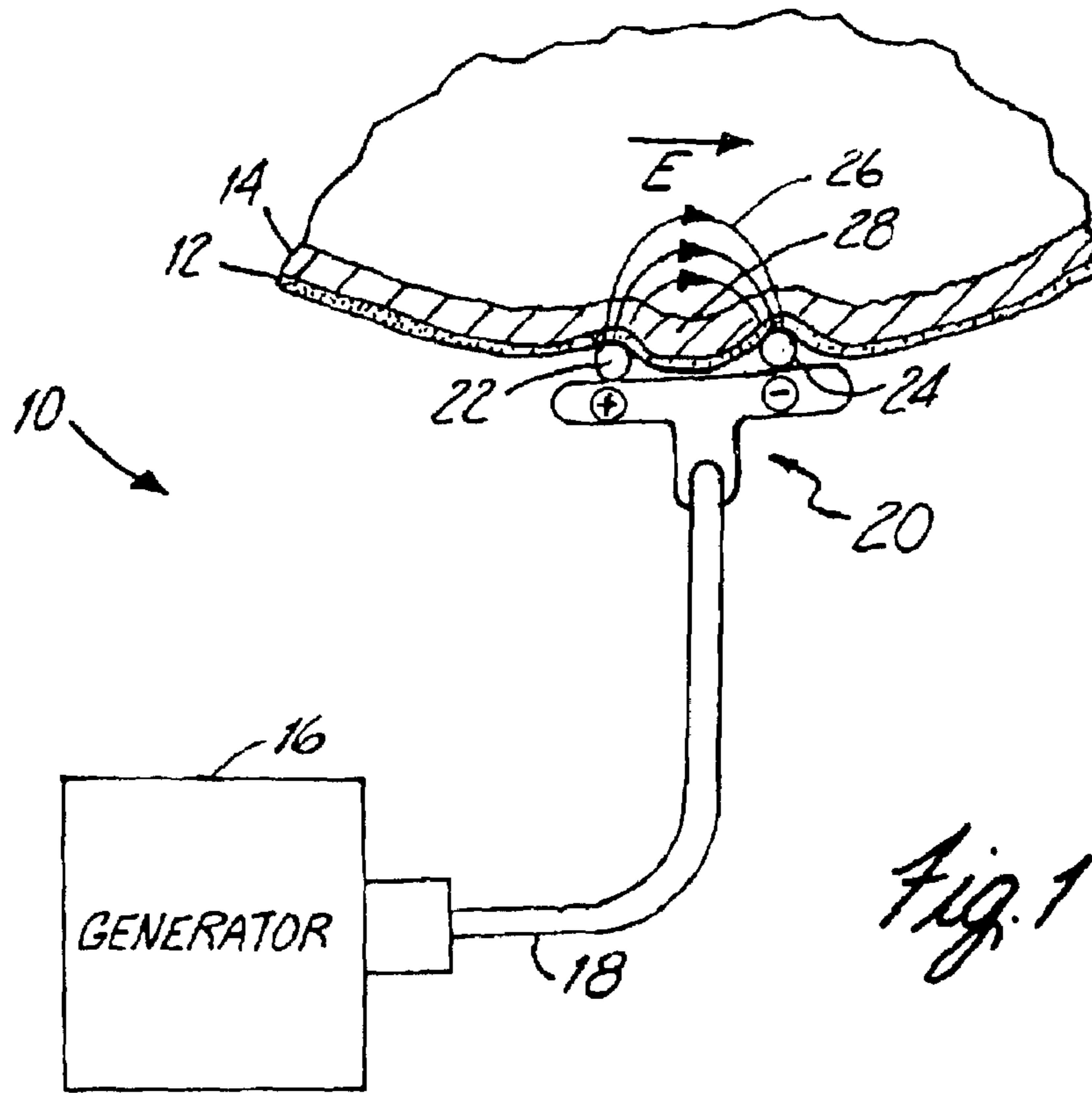
Baker, et al., Calcium-Dependent Exocytosis in Bovine Adrenal Medullary Cells with Leaky Plasma Membranes, *Nature*, vol. 276, pp. 620-622, 1978.



- Barber, Electrical Impedance Tomography Applied Potential Tomography, *Advances in Biomedical Engineering*, Beneken and Thevenin, eds., IOS Press, 1993.
- Beebe, S.J., et al., Nanosecond pulsed electric field (nsPEF) effects on cells and tissues: apoptosis induction and tumor growth inhibition. PPS-2001 Pulsed Power Plasma Science 2001, 28<sup>th</sup> IEEE International Conference on Plasma Science and 13<sup>th</sup> IEEE International Pulsed Power Conference, Digest of Technical Papers (Cat. No. 01CH37251). IEEE, Part vol. 1, 2001, pp. 211-215, vol. I, Piscataway, NJ, USA.
- Blad, et al., Impedance Spectra of Tumour Tissue in Comparison with Normal Tissue; a Possible Clinical Application for Electrical Impedance Tomography, *Physiol. Meas.* 17 (1996) A105-A115.
- Bown, S.G., Phototherapy of tumors. *World J. Surgery*, 1983. 7: p. 700-709.
- BPH Management Strategies: Improving Patient Satisfaction, *Urology Times*, May 2001, vol. 29, Supplement 1.
- Brown, et al., Blood Flow Imaging Using Electrical Impedance Tomography, *Clin. Phys. Physiol. Meas.*, 1992, vol. 13, Suppl. A, 175-179.
- Chandrasekar, et al., Transurethral Needle Ablation of the Prostate (TUNA)—a Propsective Study, Six Year Follow Up, (Abstract), Presented at 2001 National Meeting, Anaheim, CA, Jun. 5, 2001.
- Coates, C.W., et al., "The Electrical Discharge of the Electric Eel, *Electrophorous Electricus*," *Zoologica*, 1937, 22(1), pp. 1-32.
- Cook, et al., ACT3: A High-Speed, High-Precision Electrical Impedance Tomograph, *IEEE Transactions on Biomedical Engineering*, vol. 41, No. 8, Aug. 1994.
- Cowley, Good News for Boomers, *Newsweek*, Dec. 30, 1996/Jan. 6, 1997.
- Cox, et al., Surgical Treatment of Atrial Fibrillation: A Review, *Europace* (2004) 5, S20-S-29.
- Crowley, Electrical Breakdown of Biomolecular Lipid Membranes as an Electromechanical Instability, *Biophysical Journal*, vol. 13, pp. 711-724, 1973.
- Davalos, et al., Tissue Ablation with Irreversible Electroporation, *Annals of Biomedical Engineering*, vol. 33, No. 2, Feb. 2005.
- Davalos, et al., Theoretical Analysis of the Thermal Effects During In Vivo Tissue Electroporation, *Bioelectrochemistry*, vol. 61, pp. 99-107, 2003.
- Davalos, et al., A Feasibility Study for Electrical Impedance Tomography as a Means to Monitor Tissue Electroporation for Molecular Medicine, *IEEE Transactions on Biomedical Engineering*, vol. 49, No. 4, Apr. 2002.
- Davalos, Real-Time Imaging for Molecular Medicine through Electrical Impedance Tomography of Electroporation, Dissertation for Ph.D. in Engineering-Mechanical Engineering, Graduate Division of University of California, Berkeley, 2002.
- Dean, Nonviral Gene Transfer to Skeletal, Smooth, and Cardiac Muscle in Living Animals, *Am J. Physiol Cell Physiol* 289: 233-245, 2005.
- Dev, et al., Sustained Local Delivery of Heparin to the Rabbit Arterial Wall with an Electroporation Catheter, *Catheterization and Cardiovascular Diagnosis*, Nov. 1998, vol. 45, No. 3, pp. 337-343.
- Dev, et al., Medical Applications of Electroporation, *IEEE Transactions of Plasma Science*, vol. 28, No. 1, pp. 206-223, Feb. 2000.
- Duraiswami, et al., Boundary Element Techniques for Efficient 2-D and 3-D Electrical Impedance Tomography, *Chemical Engineering Science*, vol. 52, No. 13, pp. 2185-2196, 1997.
- Duraiswami, et al., Efficient 2D and 3D Electrical Impedance Tomography Using Dual Reciprocity Boundary Element Techniques, *Engineering Analysis with Boundary Elements* 22, (1998) 13-31.
- Duraiswami, et al., Solution of Electrical Impedance Tomography Equations Using Boundary Element Methods, *Boundary Element Technology XII*, 1997, pp. 226-237.
- Edd, J., et al., In-Vivo Results of a New Focal Tissue Ablation Technique: Irreversible Electroporation, *IEEE Trans. Biomed. Eng.* 53 (2006) p. 1409-1415.
- Erez, et al., Controlled Destruction and Temperature Distributions in Biological Tissues Subjected to Monoactive Electrocoagulation, *Transactions of the ASME: Journal of Mechanical Design*, vol. 102, Feb. 1980.
- Foster, R.S., et al., High-intensity focused ultrasound in the treatment of prostatic disease. *Eur. Urol.*, 1993. 23: 44-7).
- Fox, et al., Sampling Conductivity Images via MCMC, Mathematics Department, Auckland University, New Zealand, May 1997.
- Gauger, et al., A Study of Dielectric Membrane Breakdown in the Fucus Egg, *J. Membrane Biol.*, vol. 48, No. 3, pp. 249-264, 1979.
- Gehl, et al., In Vivo Electroporation of Skeletal Muscle: Threshold, Efficacy and Relation to Electric Field Distribution, *Biochimica et Biophysica Acta* 1428, 1999, pp. 233-240.
- Gençer, et al., Electrical Impedance Tomography: Induced-Current Imaging Achieved with a Multiple Coil System, *IEEE Transactions on Biomedical Engineering*, vol. 43, No. 2, Feb. 1996.
- Gilbert, et al., Novel Electrode Designs for Electrochemotherapy, *Biochimica et Biophysica Acta* 1334, 1997, pp. 9-14.
- Gilbert, et al., The Use of Ultrasound Imaging for Monitoring Cryosurgery, Proceedings 6<sup>th</sup> Annual Conference, IEEE Engineering in Medicine and Biology, 107-111, 1984.
- Glidewell, et al., The Use of Magnetic Resonance Imaging Data and the Inclusion of Anisotropic Regions in Electrical Impedance Tomography, *Biomed. Sci. Instrum.* 1993; 29: 251-7.
- Gothelf, et al., Electrochemotherapy: Results of Cancer Treatment Using Enhanced Delivery of Bleomycin by Electroporation, *Cancer Treatment Reviews* 2003: 29: 371-387.
- Griffiths, et al., A Dual-Frequency Electrical Impedance Tomography System, *Phys. Med. Biol.*, 1989, vol. 34, No. 10, pp. 1465-1476.
- Griffiths, The Importance of Phase Measurement in Electrical Impedance Tomography, *Phys. Med. Biol.*, 1987, vol. 32, No. 11, pp. 1435-1444.
- Griffiths, Tissue Spectroscopy with Electrical Impedance Tomography: Computer Simulations, *IEEE Transactions on Biomedical Engineering*, vol. 42, No. 9, Sep. 1995.
- Gumerov, et al., The Dipole Approximation Method and Its Coupling with the Regular Boundary Element Method for Efficient Electrical Impedance Tomography, *Boundary Element Technology XIII*, 1999.
- Hapala, Breaking the Barrier: Methods for Reversible Permeabilization of Cellular Membranes, *Critical Reviews in Biotechnology*, 17(2): 105-122, 1997.
- Heller, et al., Clinical Applications of Electrochemotherapy, *Advanced Drug Delivery Reviews*, vol. 35, pp. 119-129, 1999.
- Ho, et al., Electroporation of Cell Membranes: A Review, *Critical Reviews in Biotechnology*, 16(4): 349-362, 1996.
- Holder, et al., Assessment and Calibration of a Low-Frequency System for Electrical Impedance Tomography (EIT), Optimized for Use in Imaging Brain Function in Ambulant Human Subjects, *Annals of the New York Academy of Science*, vol. 873, Issue 1, Electrical BI, pp. 512-519, 1999.
- Huang, et al., Micro-Electroporation: Improving the Efficiency and Understanding of Electrical Permeabilization of Cells, *Biomedical Microdevices*, vol. 2, pp. 145-150, 1999.
- Hughes, et al., An Analysis of Studies Comparing Electrical Impedance Tomography with X-Ray Videofluoroscopy in the Assessment of Swallowing, *Physiol. Meas.* 15, 1994, pp. A199-A209.
- Issa, et al., The TUNA Procedure for BPH: Review of the Technology: The TUNA Procedure for BPH: Basic Procedure and Clinical Results, Reprinted from *Infections in Urology*, Jul./Aug. 1998 and Sep./Oct. 1998.
- Ivanuša, et al., MRI Macromolecular Contrast Agents as Indicators of Changed Tumor Blood Flow, *Radiol Oncol.* 2001; 35(2): 139-47.
- Jaroszeski, et al., In Vivo Gene Delivery by Electroporation, *Advanced Drug Delivery Review*, vol. 35, pp. 131-137, 1999.
- Kinosita, et al., Hemolysis of Human Erythrocytes by a Transient Electric Field, *Proc. Natl. Acad. Sci. USA*, vol. 74, No. 5, pp. 1923-1927, 1977.
- Liu, et al., Measurement of Pharyngeal Transit Time by Electrical Impedance Tomography, *Clin. Phys. Physiol. Meas.*, 1992, vol. 13, Suppl. A, pp. 197-200.
- Lundqvist, et al., Altering the Biochemical State of Individual Cultured Cells and Organelles with Ultramicroelectrodes, *Proc. Natl. Acad. Sci. USA*, vol. 95, pp. 10356-10360, Sept. 1998.
- Lurquin, Gene Transfer by Electroporation, *Molecular Biotechnology*, vol. 7, 1997.



- Lynn, et al., A New Method for the Generation and Use of Focused Ultrasound in Experimental Biology, *The Journal of General Physiology*, vol. 26, 179-193, 1942.
- Miklavčič, et al., A Validated Model of an in Vivo Electric Field Distribution in Tissues for Electrochemotherapy and for DNA Electrotransfer for Gene Therapy, *Biochimica et Biophysica Acta* 1523 (2000), pp. 73-83.
- Miklavčič, et al., The Importance of Electric Field Distribution for Effective in Vivo Electroporation of Tissues, *Biophysical Journal*, vol. 74, May 1998, pp. 2152-2158.
- Miller, L., et al., Cancer cells ablation with irreversible electroporation, *Technology in Cancer Research and Treatment* 4 (2005) 699-706.
- Mir, Therapeutic Perspectives of in Vivo Cell Electroporation, *Bioelectrochemistry*, vol. 53, pp. 1-10, 2000.
- Mir, L.M., et al., Electric Pulse-Mediated Gene Delivery to Various Animal Tissues, in *Advances in Genetics*, Academic Press, 2005, p. 83-114.
- Mir, L.M. and Orlowski, S., The basis of electrochemotherapy, in *Electrochemotherapy, electrogenotherapy, and transdermal drug delivery: electrically mediated delivery of molecules to cells*, M.J. Jaroszeski, R. Heller, R. Gilbert, Editors, 2000, Humana Press, p. 99-118.
- Mir, et al., Effective Treatment of Cutaneous and Subcutaneous Malignant Tumours by Electrochemotherapy, *British Journal of Cancer*, vol. 77, No. 12, pp. 2336-2342, 1998.
- Mir, et al., Electrochemotherapy Potentiation of Antitumour Effect of Bleomycin by Local Electric Pulses, *European Journal of Cancer*, vol. 27, No. 1, pp. 68-72, 1991.
- Mir, et al., Electrochemotherapy, a Novel Antitumor Treatment: First Clinical Trial, *C.R. Acad. Sci. Paris*, Ser. III, vol. 313, pp. 613-618, 1991.
- Narayan, et al., Establishment and Characterization of a Human Primary Prostatic Adenocarcinoma Cell Line (ND-1), *The Journal of Urology*, vol. 148, 1600-1604, Nov. 1992.
- Naslund, Michael J., Transurethral Needle Ablation of the Prostate, *Urology*, vol. 50, No. 2, Aug. 1997.
- Naslund, Cost-Effectiveness of Minimally Invasive Treatments and Transurethral Resection (TURP) in Benign Prostatic Hyperplasia (BPH), (Abstract), Presented at 2001 AUA National Meeting, Anaheim, CA, Jun. 5, 2001.
- Neumann, et al., Gene Transfer into Mouse Lyoma Cells by Electroporation in High Electric Fields, *J. Embo.*, vol. 1, No. 7, pp. 841-845, 1982.
- Neumann, et al., Permeability Changes Induced by Electric Impulses in Vesicular Membranes, *J. Membrane Biol.*, vol. 10, pp. 279-290, 1972.
- Okino, et al., Effects of High-Voltage Electrical Impulse and an Anticancer Drug on in Vivo Growing Tumors, *Japanese Journal of Cancer Research*, vol. 78, pp. 1319-1321, 1987.
- Onik, et al., Sonographic Monitoring of Hepatic Cryosurgery in an Experimental Animal Model, *AJR American J. Of Roentgenology*, vol. 144, pp. 1043-1047, May 1985.
- Onik, et al., Ultrasonic Characteristics of Frozen Liver, *Cryobiology*, vol. 21, pp. 321-328, 1984.
- Organ, L.W., Electrophysiological principles of radiofrequency lesion making, *Apply. Neurophysiol.*, 1976. 39: p. 69-76.
- Piñero, et al., Apoptotic and Necrotic Cell Death Are Both Induced by Electroporation in HL60 Human Promyeloid Leukaemia Cells, *Apoptosis*, vol. 2, No. 3, 330-336, Aug. 1997.
- Precision Office TUNA System, When Patient Satisfaction is Your Goal.
- Rols, M.P., et al., Highly Efficient Transfection of Mammalian Cells by Electric Field Pulses: Application to Large Volumes of Cell Culture by Using a Flow System, *Eur. J. Biochem.* 1992, 206, pp. 115-121.
- Rubinsky, B., ed, Cryosurgery. *Annu Rev. Biomed. Eng.* vol. 2 2000. 157-187.
- Schmukler, Impedance Spectroscopy of Biological Cells, downloaded from IEEE Xplore website.
- Sersa, et al., Reduced Blood Flow and Oxygenation in SA-1 Tumours after Electrochemotherapy with Cisplatin, *British Journal of Cancer*, 87, 1047-1054, 2002.
- Sersa, et al., Tumour Blood Flow Modifying Effects of Electrochemotherapy: a Potential Vascular Targeted Mechanism, *Radiol. Oncol.*, 37(1): 43-8, 2003.
- Sharma, et al., Poloxamer 188 Decreases Susceptibility of Artificial Lipid Membranes to Electroporation, *Biophysical Journal*, vol. 71, No. 6, pp. 3229-3241, Dec. 1996.
- Shiina, S., et al, Percutaneous ethanol injection therapy for hepatocellular carcinoma: results in 146 patients. *AJR*, 1993, 160: p. 1023-1028.
- Thompson, et al., To determine whether the temperature of 2% lignocaine gel affects the initial discomfort which may be associated with its instillation into the male urethra, *BJU International* (1999), 84, 1035-1037.
- TUNA—Suggested Local Anesthesia Guidelines.
- Vidamed, Inc., Transurethral Needle Ablation (TUNA): Highlights from Worldwide Clinical Studies, Vidamed's Office TUNA System.
- Weaver, Electroporation: A General Phenomenon for Manipulating Cells and Tissues, *Journal of Cellular Biochemistry*, 51: 426-435, 1993.
- Weaver, et al., Theory of Electroporation: A Review, *Bioelectrochemistry and Bioenergetics*, vol. 41, pp. 136-160, 1996.
- Zimmermann, et al., Dielectric Breakdown of Cell Membranes, *Biophysical Journal*, vol. 14, No. 11, pp. 881-899, 1974.
- Zlotta, et al., Possible Mechanisms of Action of Transurethral Needle Ablation of the Prostate on Benign Prostatic Hyperplasia Symptoms: a Neurohistochemical Study, Reprinted from *Journal of Urology*, vol. 157, No. 3, Mar. 1997, pp. 894-899.
- Zlotta, et al., Long-Term Evaluation of Transurethral Needle Ablation of the Prostate (TUNA) for Treatment of Benign Prostatic Hyperplasia (BPH): Clinical Outcome After 5 Years. (Abstract) Presented at 2001 AUA National Meeting, Anaheim, CA—Jun. 5, 2001.



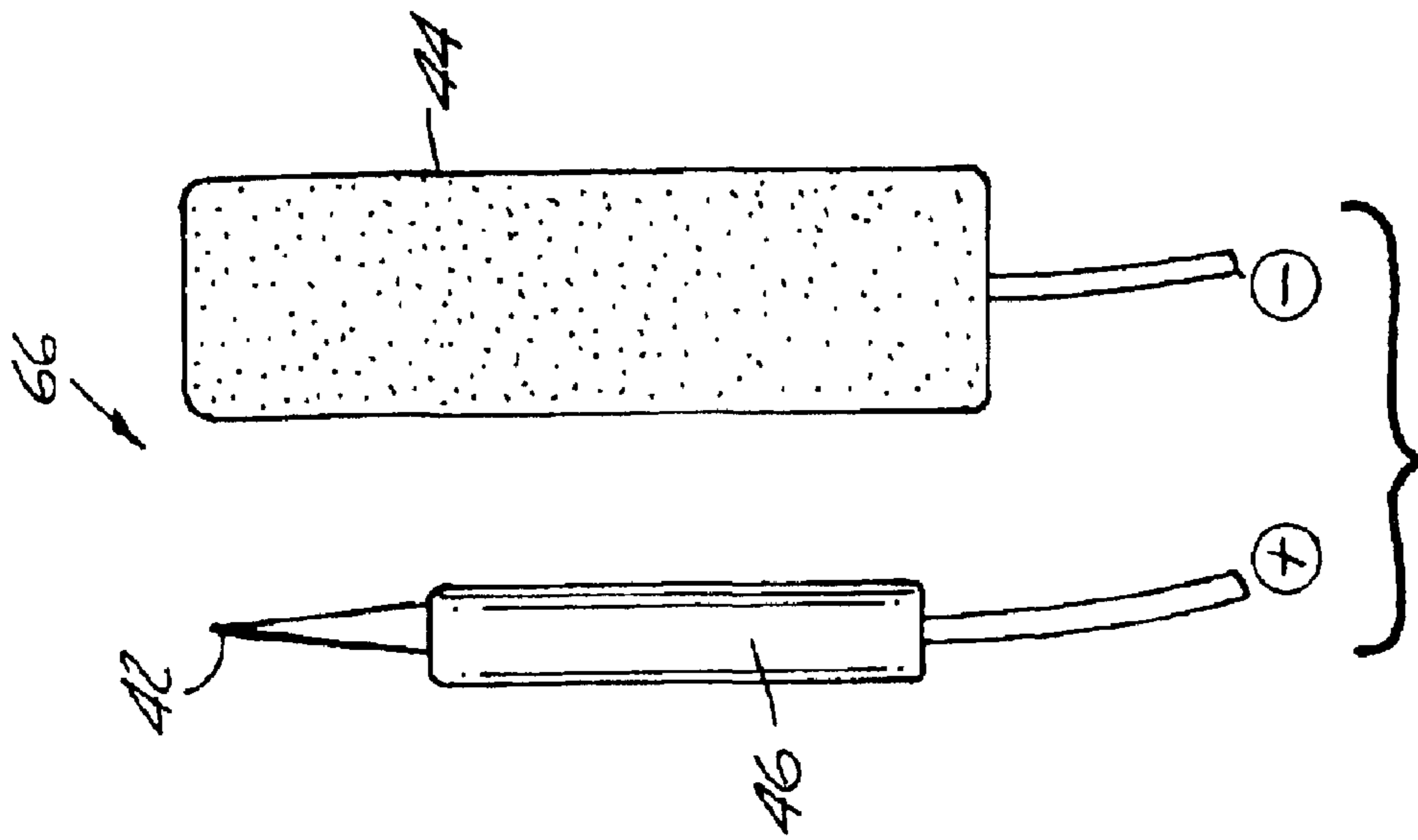


Fig. 30

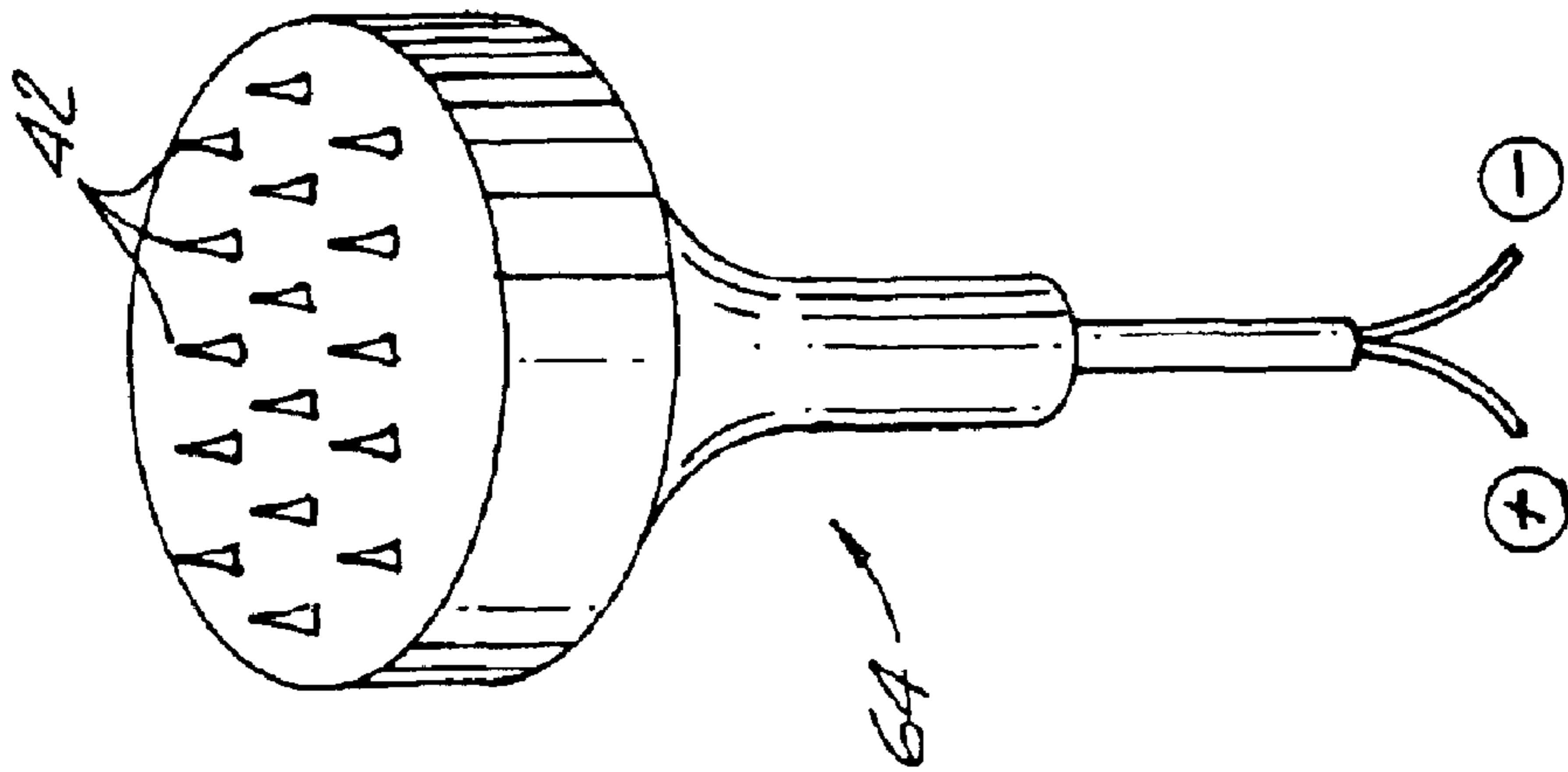


Fig. 31

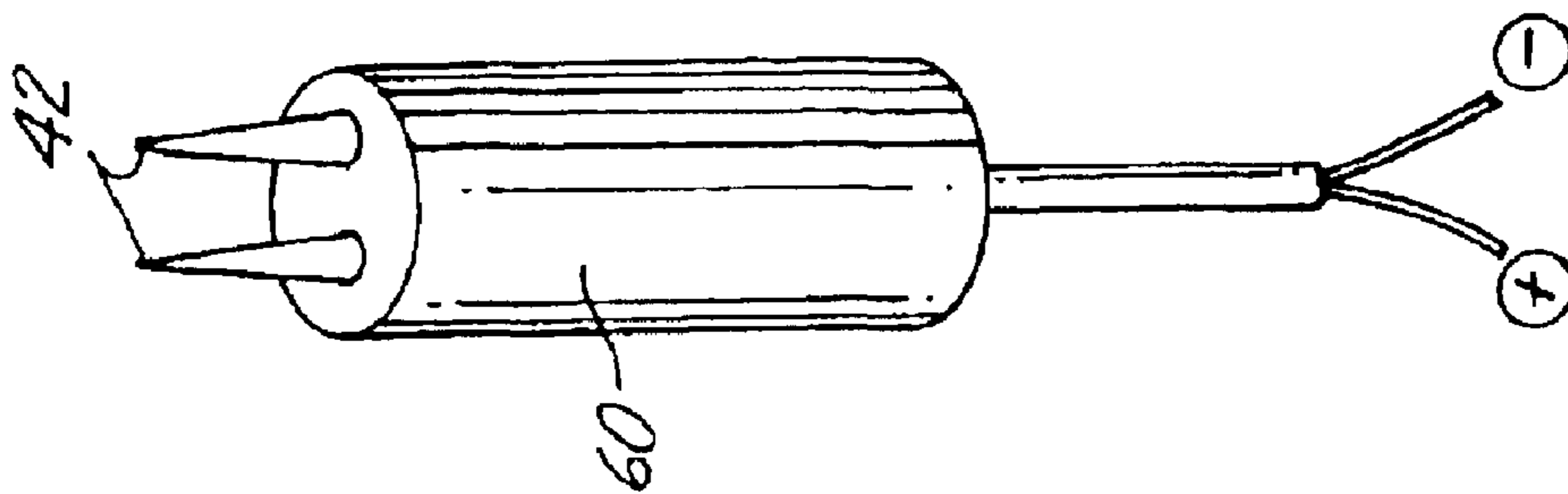
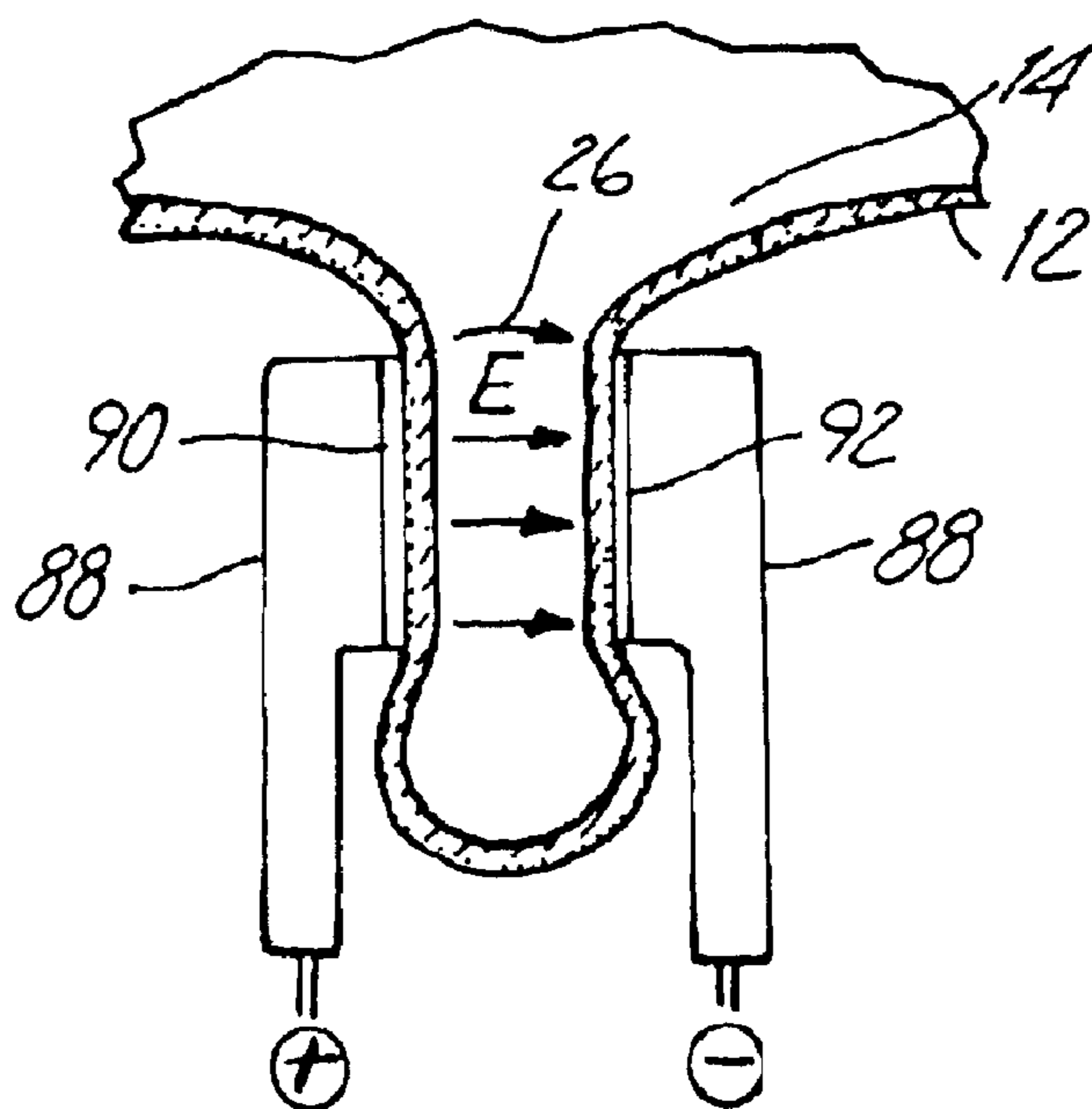
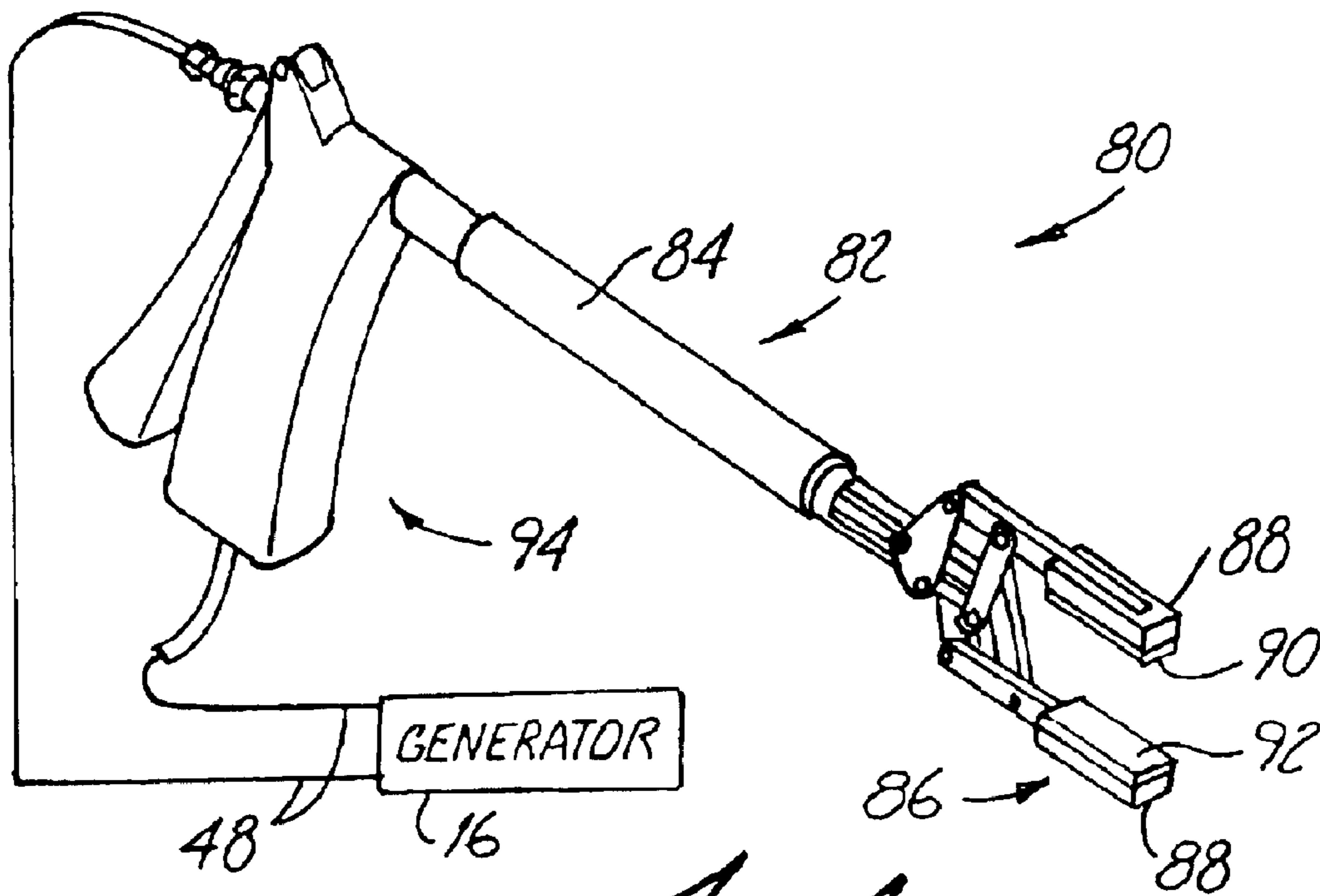


Fig. 32





*Fig. 4b*



*Fig. 4a*

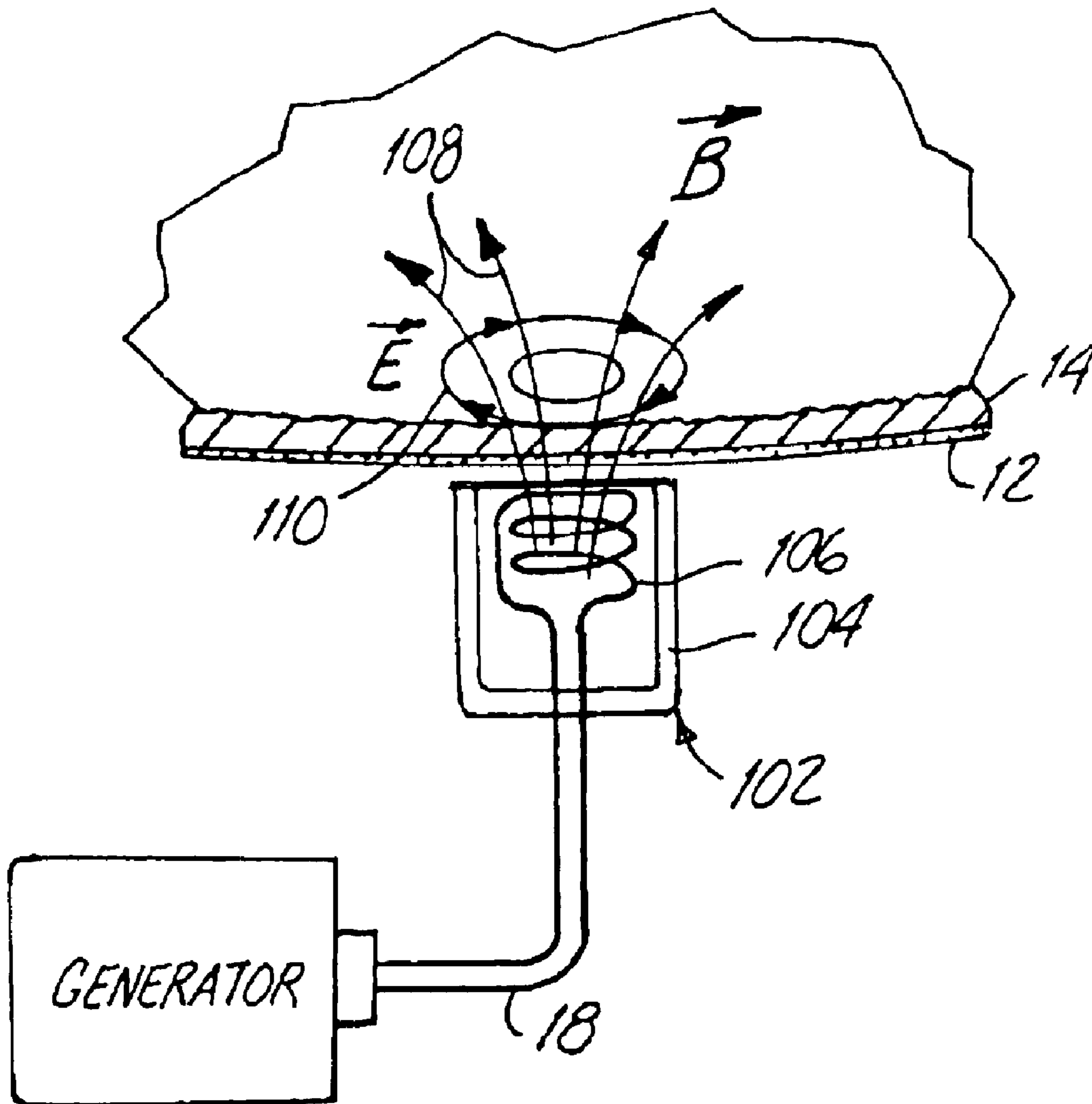


Fig. 5



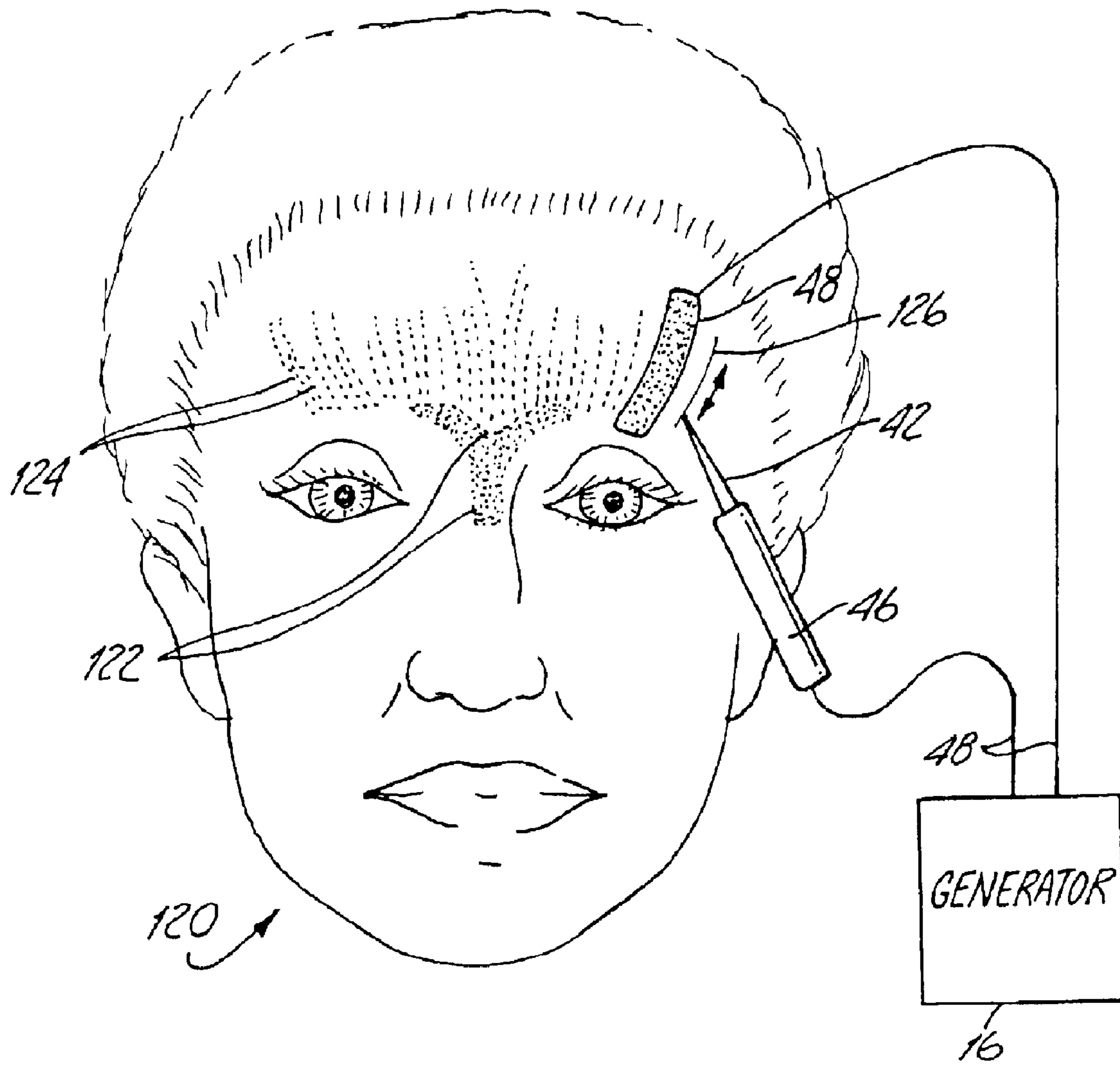
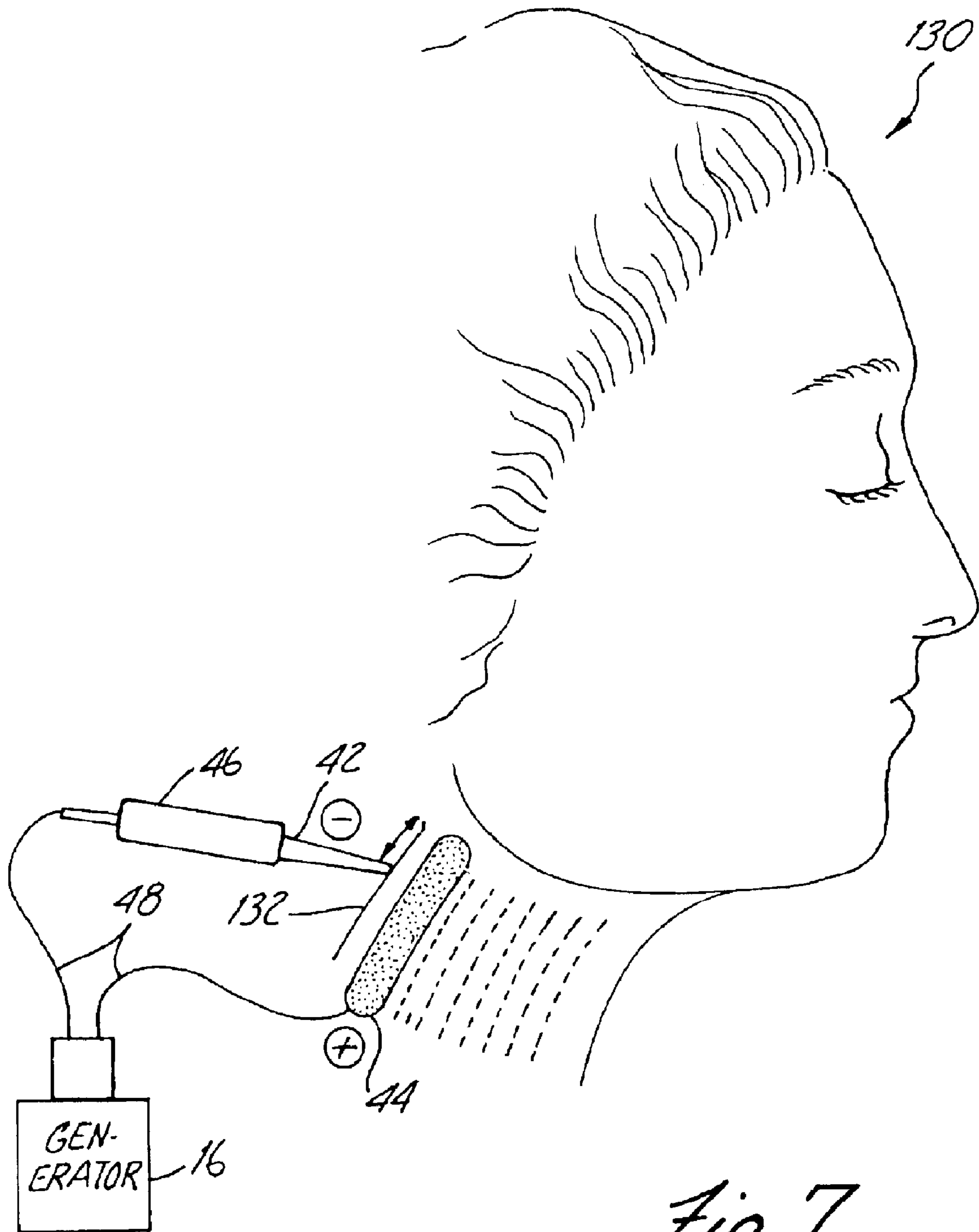


Fig. 6



*Fig. 7*



**APPARATUS AND METHOD FOR REDUCING  
SUBCUTANEOUS FAT DEPOSITS, VIRTUAL  
FACE LIFT AND BODY SCULPTURING BY  
ELECTROPORATION**

**Matter enclosed in heavy brackets [ ] appears in the original patent but forms no part of this reissue specification; matter printed in italics indicates the additions made by reissue.**

[REFERENCE TO COPENDING APPLICATIONS]  
*CROSS-REFERENCE TO RELATED APPLICA-  
TIONS*

This application claims the benefit of U.S. Provisional Application Ser. No. [60/268,106] *60/267,106* filed Feb. 8, 2001 and claims the benefit of U.S. Provisional Application Ser. No. *60/225,775*, filed Aug. 17, 2000.

FIELD OF INVENTION

The present invention relates generally to electroporation of tissues and, specifically, to apparatus and methods for reducing subcutaneous fat deposits, performing virtual face lifts, and body sculpturing.

BACKGROUND OF THE INVENTION

“Cosmetic surgery” is a phrase used to describe broadly surgical changes made to a human body with the usual, though not always, justification of enhancing appearance. This area of medical practice constitutes an ever-growing industry around the world. Obviously, where such a procedure fails to deliver an enhanced appearance, the procedure fails to meet the desired goal. One of the reasons that the majority of current procedures fail to deliver upon their promise is that, for the most part, current procedures are invasive, requiring incisions and suturing, and can have serious and unpleasant side effects, including but not limited to scarring, infection, and loss of sensation.

One of the more common forms of cosmetic surgery is the “face-lift.” A face-lift is intended to enhance facial appearance by removing excess facial skin and tightening the remaining skin, thus removing wrinkles. A face-lift is traditionally performed by cutting and removing portions of the skin and underlying tissues on the face and neck. Two incisions are made around the ears and the skin on the face and neck is separated from the subcutaneous tissues. The skin is stretched, excess tissue and skin are removed by cutting with a scissors or scalpel, and the skin is pulled back and sutured around the ears. The tissue tightening occurs after healing of the incisions because less skin covers the same area of the face and neck and also because of the scars formed on the injured areas are contracting during the healing process.

Traditional face-lift procedures are not without potential drawbacks and side effects. One drawback of traditional cosmetic surgery is related to the use of scalpel and scissors. The use of these devices sometimes leads to significant bleeding, nerve damage, possible infection and/or lack of blood supply to some areas on the skin after operation. Discoloration of the skin, alopecia (boldness), is another possible side effect of the standard cosmetic surgery. The overall quality of the results of the surgery is also sometimes disappointing to the patients because of possible over-corrections, leading to undesired

changes in the facial expression. Additionally, face-lift procedures require a long recovery period before swelling and bruising subside.

The use of lasers to improve the appearance of the skin has been also developed. Traditional laser resurfacing involves application of laser radiation to the external layer of the skin—the epidermis. Destruction of the epidermis leads to rejuvenation of the epidermis layer. The drawback of the laser resurfacing procedure is possible discoloration of the skin (red face) that can be permanent.

Another laser procedure involves using optical fibers for irradiation of the subcutaneous tissues, such as disclosed in U.S. Pat. No. Re36,903. This procedure is invasive and requires multiple surgical incisions for introduction of the optical fibers under the skin. The fibers deliver pulsed optical radiation that destroys the subcutaneous tissues as the tip of the fiber moves along predetermined lines on the face or neck. Debulking the subcutaneous fat and limited injury to the dermis along the multiple lines of the laser treatment results in contraction of the skin during the healing process, ultimately providing the face lift. The drawback of the method is its high price and possibility of infection.

Electrosurgical devices and methods utilizing high frequency electrical energy to treat a patient’s skin, including resurfacing procedures and removal of pigmentation, scars, tattoos and hairs have been developed lately, such as disclosed in U.S. Pat. No. 6,264,652. The principle drawback of this technology is collateral damage to the surrounding and underlying tissues, which can lead to forming scars and skin discoloration.

Other forms of cosmetic surgery are also known. One example is liposuction, which is an invasive procedure that involves inserting a suction device under the skin and removing fat tissues. As with other invasive surgical procedures, there is always a risk of infection. In addition, because of the invasive nature of the procedure, physicians usually try to minimize the number of times the procedure must be performed and thus will remove as much fat tissue as possible during each procedure. Unfortunately, this procedure has resulted in patient deaths when too much tissue was removed. Assuming successful removal of excess fat tissue, further invasive surgery may be required to accomplish desired skin tightening.

The prior art to date, then, does not meet the desired goal of performing cosmetic surgery in a non-invasive manner while causing minimal or no scarring of the exterior surface of the skin and at the same time resulting in the skin tightening.

OBJECTS OF THE INVENTION

It is an object of the present invention to provide an apparatus and method which uses electroporation to cause necrosis of cells in the subcutaneous layer of fat and the interior side of the dermis, resulting in the contraction and tightening of the skin. In particular, it is an object of the present invention to provide method and apparatus for performing face and neck lift and others similar procedures on the face in a non-invasive manner.

Another object of the present invention is to provide an apparatus and method for significant bulk reduction of the number of subcutaneous fat cells in the body, resulting in a significant weight loss.

Still another object of the present invention is to provide non-invasive apparatus and method for cosmetic and weight loss procedures.



Still another object of the invention is to provide an apparatus and method for selective removal of fat in different areas to enable changing the shape of the body, or body sculpturing.

#### SUMMARY OF THE INVENTION

The present invention provides an apparatus and method for creation of a controlled injury or alteration to the subcutaneous tissue and/or underside of the dermis, with the following healing process leading to the contraction of the skin; and/or to the controlled destruction of fat cells, leading to their permanent loss. In the present invention the damage to the subcutaneous tissue, underside of the dermis, and/or fat cells is caused by electroporation.

An apparatus in accord with the current invention comprises a voltage pulse generator, an applicator with two or multiple electrodes of different shapes and sizes and a cable connecting the electrodes to the pulse generator. The pulse generator produces set of high voltage pulses of predetermined amplitude, duration and number to cause necrosis in a treated area of subcutaneous tissues.

A method in accord with the current invention comprises application of electrical pulses to the electrodes positioned on the skin in a treatment area. For a face lift, flat and needle-like electrodes are used, the last one providing a strong and non-uniform electric field predominantly normal to the surface of the skin. The amplitude, duration and number of applied pulses are selected to cause necrosis of fat cells to a predetermined depth in the subcutaneous tissue and a limited necrosis of the underside of the dermis. A number of lines of predetermined pattern are exposed to electroporation. Later, during the healing process the skin on the treated area contracts. The injury to the tissues made by electroporation is very gentle and selective; it does not produce scars on the epidermis, the most external layer of the skin.

A method of weight loss and body sculpturing in accord with the present invention comprises application of electroporation pulses to a significant volume of fat tissue. In this case both electrodes are flat and attached to the arms of a forceps. The electrodes are moveable towards and away from each other and are capable of pinching skin with underlying subcutaneous fat and electroporating it. Application of flat, parallel electrodes produces a electric field is uniform in the tissue that effects only fat cells.

For weight loss a voltage generator coupled to multiple needle type electrodes may be used.

In another embodiment of the present invention, an electroporation apparatus for bulk weight loss may comprise apparatus for production of a pulsed magnetic field and its application to the area to be treated. In this embodiment of the present invention, a curl electric field for the electroporation of subcutaneous fat is created by the pulsed magnetic field. Curl electric field causes eddy currents in the tissue and at an appropriate amplitude above kills the fat cells.

#### BRIEF DESCRIPTION OF THE DRAWINGS

The objects and advantages of the present invention will be appreciated from the following specification when read in conjunction with the accompanying drawings wherein:

FIG. 1 is a schematic illustration of an apparatus with an applicator having an array of symmetric electrodes shown during electroporation treatment.

FIG. 2 is a schematic illustration of an apparatus with an applicator having one flat electrode and one a needle like electrode shown during electroporation treatment.

[FIG. 3 is a schematic illustration of different applicators of the present apparatus wherein]

FIG. 3a illustrates an applicator with two needle like electrodes;

FIG. 3b illustrates an applicator having an array of needle like electrodes; and

FIG. 3c illustrates applicator having one flat electrode and one needle like electrode.

FIG. 4a is a perspective view of a forceps type applicator with two flat electrodes in an open position.

FIG. 4b is a schematic illustration of the forceps flat electrodes in closed position shown during electroporation treatment.

FIG. 5 is a schematic illustration of an apparatus for electroporation treatment for weight loss with electrodeless applicator.

FIG. 6 is a frontal view of a human head with schematically shown electroporation treatment for removal of the forehead wrinkles and glabellar frown lines.

FIG. 7 is a lateral view of a human head with schematically shown electroporation treatment for a neck lift.

#### DESCRIPTION OF THE PREFERRED EMBODIMENTS

The term "electroporation" (EP) refers to the use of electric field pulses to induce microscopic pores in the cell membranes called "electropores". Depending on the parameters of the electric pulse, an electroporated cell can survive the pulse or die. The cause of death of an electroporated cell is believed to be a chemical imbalance, resulting from the fluid communication with the extra cellular environment through the pores. The number and size of electropores created depends on the product of the amplitude  $E$  and duration  $t$  of the pulse. Below a certain limit, no electropores are induced at all. This limit is different for different cells and depends, principally, on their sizes. The smaller the cell, the higher the product of the amplitude and duration must be to induce pores. Above the lower limit the number of pores and their effective diameter increases with the product  $Et$ . Until an upper limit is achieved, cells survive pulsing and restore their viability thereafter. Above the upper limit the pores diameters and number become too large for a cell to survive. It cannot repair itself by any spontaneous or biological process and dies. As noted, a cell's vulnerability to an electric field depends on its size: the larger the cell, the lower the electric field required for killing it. If cells of different sizes are exposed to the same electric field, the largest cells are the first to die. Thus, application of an electric field having preselected parameters can result in selectively killing particular cells.

A desirable target for cell death using the present invention is adipose tissue, commonly called fat. Adipose cells do not proliferate in adults. Their number is fixed at a very early age. Adipose cells can change their size by accumulating or losing lipids and be responsible for significant, up to two-fold increase in the body weight. Cutting down in the number of large adipose cells results in a significant weight loss in the fat tissue and the whole body. If fat cells are destroyed by any means, their content is metabolized by the body, i.e., scavenged by macrophages, and their number is not restored. The loss of adipose cells, then, is permanent. Adipose tissue consists of lipid-filled cells ranging in size from 25 to 200 microns. An applied electric field affects the various sized cells differently as previously mentioned. For example, if an electric field, equal to the upper electroporation limit for 100 micron cells (about 10–20 V/mm) is applied to a fat tissue, all cells with sizes from 100 micron and above, will die. The dead



cells will be disposed later by macrophages, and the body will metabolize the lipids stored in these cells. Small adipose cells, for which the applied electric field is below the upper electroporation limit, survive any number of electric pulses without any morphological or functional damage.

Pulsed electric fields can be applied to fat deposits inside the body by different methods. In a first method two electrodes are applied to the skin over the fat tissue at some distance from each other and electric microsecond pulses are applied by the electrodes to the tissue. The pulse electric field, created by these two electrodes is non-uniform; it is higher near the electrodes and decreases with the depth. The electric field at the fat deposits should reach several tens of volts per mm to be able to kill adipose cells of large diameters. At the skin level the non-uniform electric field will be significantly higher. To be harmless for the skin cells, the field should not exceed the value of the upper electroporation limit for skin cells. The cells in the epidermic basal layer of the skin, which is responsible for the mitotic division and continuous rejuvenation of the skin, have dimensions of about 10 microns or less (6–10 microns). This is 10 or more times less than that of the targeted adipose cells, which is about 100 microns and larger as noted earlier. The upper electroporation limit for the skin cells in accordance with their size is therefore about 10 times higher than that of adipose cells of 100 microns diameter.

A second method of applying an electric field to the subcutaneous adipose tissue or the skin is by applying short magnetic pulses preferentially normally to the skin. The transient magnetic field creates curl electric field in the skin and the underlying tissues. This curl electric field causes eddy currents in the cells. If the magnitude of this transient electric field reaches the upper electroporation limit for the cells, it will kill them exactly as does the potential electric field created by charged electrodes.

The depth of penetration of the electric field in the skin and the fat tissue under it depends on the distance between the electrodes, their shape and size. The larger the size of electrodes and the distance between them, the deeper the penetration will be. If the electrodes are small enough and the distance between them is short, the electric field penetrates only into the skin and does not reach the underlying tissues.

If pulsed electric field penetrates only in the skin and its amplitude is high enough to kill skin cells (several hundred volts per mm), electroporation can be used for selective cell killing. The dead cells are removed by macrophages and the skin shrinks during the healing process. This skin shrinkage can be planned in advance both in terms of directions and degree. By selecting a number, direction and length of the electroporation “cuts” the operator can control the future skin shrinks. This method can be used for correcting wrinkles and skin pouches on the face, the neck, and on the upper and lower eye lids.

The skin electroporation treatment together with fat reducing electroporation treatment can be used as alternative to cosmetic surgery for the face lift, the upper and lower eye lid surgery, the forehead lift and body sculpturing practically in all parts of the human body.

An electroporation treatment presents several notable advantages over present cosmetic surgery procedures. First, an electroporation treatment is sterile. The most upper layer of the skin, comprising horny dead cells, is very resistant to any damage from an electroporation treatment; it protects the lower layers of the skin from infection.

The electroporation virtual face lift and body sculpturing can be performed in step by step fashion in a multi-session process. This method allows taking into account actual results

of previous sessions and directs process of reshaping of the face or body to desired objectives. The treatment can be performed by a medical professional or by the patient him/herself.

With the foregoing generalized explanation of the present invention, apparatus in accord therewith may be described. Referring to FIG. 1, an electroporation system 10 in accord with the invention is schematically shown with a cross section of a piece of skin 12 with subcutaneous tissue 14 during electroporation treatment. Electroporation system 10 includes a power supply 16 for generating high voltage pulses that are sent through an appropriate electrical connector 18 to an applicator 20. Applicator 20 includes electrodes 22 and 24 that engage skin 12 and will be appropriately insulated to ensure safe handling. Additionally, the applicator will preferably be configured so as to ensure ease of handling, and thus could take many forms. The electrodes 22 and 24 may take the form of needle electrodes. The electric field created between the electrodes 22 and 24 is depicted with field lines 26 and is applied to the skin 12 and subcutaneous tissue or fat 14. In the areas close to the electrodes the electric field has an amplitude exceeding the upper electroporation limit, thus causing death to fat cells. This area of fat cell necrosis is indicated at 28.

In FIG. 2 an alternative embodiment 40 of the present invention is shown with an applicator having two members: a needle-like electrode 42 and a flat electrode 44. If desired, the system 40 may include an insulating handle 46 configured to be held by an operator to facilitate the manual manipulation of the electrode 42. The high voltage pulse power supply 16 is connected to the applicator electrodes 42 and 44 by appropriate electrical connectors 48. Both electrodes 42 and 44 are engaged with skin 12. Electric field lines 26 depict an electric field between the electrodes 42 and 44. The area 28, where the electric field is the highest, is the treatment area where the amplitude of the electric field exceeds the upper electroporation limit and causes cell death.

[In FIG. 3 different versions of applicators are schematically shown.] FIG. 3a illustrates an applicator 60 with two needle-like electrodes 64. FIG. 3b shows an applicator 64 with an array of needle-like electrodes 64. FIG. 3c depicts an applicator 66 like that shown in FIG. 2 and comprising a needle-like electrode 42 and a flat electrode such as electrode 44.

FIGS. 4a and 4b illustrate another embodiment 80 of an electroporation system in accord with the present invention useful for bulk fat reduction. System 80 includes an applicator 82 comprising a body or support member 84 supporting calipers or forceps apparatus 86. The calipers apparatus 86 includes a pair of pivotable arms 88 mounted at the distal end thereof. The arms 88 support a pair of electrodes 90 and 92. Applicator 82 may include a pistol grip 94 mounted on a proximal end of the elongated tubular support member 84 for enabling ease of manipulation of same. The electrodes 90 and 92 are mounted on a moveable linkage so that the electrodes are moveable toward and away from each other. A power supply 16 and electrical connectors 48 are also included within a system 80 to provide pulse electrical power to the electrodes 90 and 92.

FIG. 4b schematically illustrates an electroporation treatment utilizing system 80. As shown in the figure, a “fold” of skin 12 with underlying subcutaneous tissue—fat—14 is compressed between arms 88 and thus electrodes 90 and 92. A uniform electric field 26 is applied to the skin 12 and subcutaneous tissue 14 clamped between electrodes. Only the large fat cells are killed in this field configuration because the cells of the dermis are spared death because of their small size.



FIG. 5 schematically illustrates another embodiment of the present invention including an electrodeless system 100. System 100 includes a high pulse current power supply 16 and an appropriate electrical connector 18 extending to an applicator 102. Applicator 102 comprises a housing 104 and an electro-  
magnetic coil 106 disposed therein. Coil 106 generates a  
magnetic field 108 that is applied to the skin 12 and the  
subcutaneous tissues 14. The pulsed magnetic field 108 in the  
tissue exists only about 10 microseconds. The energy of rap-  
idly changing magnetic field transforms into a curl electric  
field 110, which creates eddy currents in tissue and provides  
the electroporation treatment for killing the fat cells in the  
tissue 14. Preferably, the curl electric field generated in the  
subcutaneous tissue is in the range of 30 to 50 Volt/mm, and  
the duration of the pulses is 5 to 20 microseconds.

FIG. 6 schematically illustrates a frontal view of human head 120 with glabellar frown lines 122 and forehead wrinkles 124. An embodiment of the present invention such as system 40 is shown in application. Electrode 44 is shown applied to the forehead and the needle electrode 42 is moved over the skin where treatment is desired. Moving the electrode tip along the skin creates a line of necrotic subcutaneous fat cells, which later are metabolized by the body. An exemplary line of treatment 126 is shown in the Figure. Multiple applications of the electrode along predetermined lines on the face or neck create shrinkage of the skin and the subcutaneous fat volume underlying the treated area.

FIG. 7 depicts a lateral view of a human head 130 during a neck lift electroporation procedure using an electroporation system in accord with the present invention such as system 40. The figure illustrates an exemplary line of electroporation treatment 132.

The present invention having thus been described, other modifications, alterations, or substitutions may now suggest themselves to those skilled in the art, all of which are within the spirit and scope of the present invention. It is therefore intended that the present invention be limited only by the scope of the attached claims below.

What is claimed is:

1. An apparatus for cosmetic treatment comprising:

an applicator including at least one positive and one negative electrode for engaging the skin of a patient and applying a pulsed electric field to the skin and the subcutaneous tissues in a predetermined volume of skin and subcutaneous tissue to be treated;

a power supply for generating high voltage pulses of duration in a range of 10 microseconds to 100 milliseconds for applying a pulsed electric field to the skin and subcutaneous tissues, said pulses having a voltage above the upper electroporation limit of subcutaneous fat cells in the treated volume for the predetermined volume; and

a connector connecting said applicator to said power supply.

2. An apparatus according to claim 1 wherein said applicator includes a plurality of electrodes in an array for applying electric field to the skin and subcutaneous tissues of the patient.

3. An apparatus according to claim 1 wherein said applicator comprises a pair of forceps including a pair of arms and an electrode mounted on each arm, said arms moveable toward and away from one another.

4. An apparatus according to claim 1 wherein said applicator comprises a pair of members, a first one of said members including a needle-like electrode and the second of said members including a flat electrode.

5. An apparatus according to claim 1 wherein the amplitude of the electric field applied to the treated volume falls in a range of 20 Volt/mm to 2000 Volt/mm.

6. An apparatus for providing non-invasive cosmetic surgery to a patient by selectively killing fat cells being found in a predetermined volume of the patient's subcutaneous tissue, said apparatus comprising:

an applicator including at least one positive and one negative electrode for engaging the skin of a patient and applying a pulsed electric field to the skin and the subcutaneous tissues in a predetermined volume of skin and subcutaneous tissue to be treated;

a power supply for generating high voltage pulses of a duration of about 10 microseconds to 100 milliseconds, said high voltage pulses having a voltage above the upper electroporation limit of the preselected fat cells as determined by a minimum size of fat cells to be treated, wherein the pulsed electric field has a voltage amplitude sufficient to irreversibly open pores in the membranes of the preselected fat cells thereby causing death thereto; and

a connector connecting said applicator to said power supply,

wherein said power supply provides said high voltage pulses to said applicator via said connector and wherein application of said pulses to said predetermined volume irreversibly opens pores in fat cells having at least the predetermined minimum size and causes their death.

7. An apparatus according to claim 6 wherein said applicator includes a plurality of electrodes in an array for applying electric field to the skin and subcutaneous tissues of the patient.

8. An apparatus according to claim 6 wherein said applicator comprises a pair of forceps including a pair of arms and an electrode mounted on each arm, said arms moveable toward and away from one another.

9. An apparatus according to claim 6 wherein said applicator comprises a pair of members, a first one of said members including a needle-like electrode and the second of said members including a flat electrode.

10. An apparatus according to claim 6 wherein the amplitude of the electric field applied to the treated volume falls in a range of 20 Volt/mm to 2000 Volt/mm.

\* \* \* \* \*



UNITED STATES PATENT AND TRADEMARK OFFICE  
**CERTIFICATE OF CORRECTION**

PATENT NO. : RE42,277 E  
APPLICATION NO. : 12/571927  
DATED : April 5, 2011  
INVENTOR(S) : Jaafar et al.

Page 1 of 1

It is certified that error appears in the above-identified patent and that said Letters Patent is hereby corrected as shown below:

Title page,  
in item (64), "Patent No.: 6,892,009" should be changed to -- Patent No.: 6.892,099 --.

Signed and Sealed this  
Fourteenth Day of June, 2011

A handwritten signature in black ink that reads "David J. Kappos". The signature is written in a cursive style with a large initial "D" and "K".

David J. Kappos  
*Director of the United States Patent and Trademark Office*