

US00RE42230E

(19) **United States**
(12) **Reissued Patent**
Norin et al.

(10) **Patent Number:** **US RE42,230 E**
(45) **Date of Reissued Patent:** **Mar. 22, 2011**

(54) **MALE ELECTRICAL CONNECTOR COMPONENT**

(75) Inventors: **Joakim Norin**, Stockholm (SE); **Tor Magnusson**, Stockholm (SE)

(73) Assignee: **CTEK Sweden AB**, Vikmanshyttan (SE)

(21) Appl. No.: **29/353,934**

(22) Filed: **Jan. 15, 2010**

Related U.S. Patent Documents

Reissue of:

(64) Patent No.: **Des. 596,125**
Issued: **Jul. 14, 2009**
Appl. No.: **29/317,232**
Filed: **Apr. 24, 2008**

(30) **Foreign Application Priority Data**

Nov. 30, 2007 (EM) 000835541-0001
Nov. 30, 2007 (EM) 000835541-0002

(51) **LOC (9) Cl.** **13-03**

(52) **U.S. Cl.** **D13/133**

(58) **Field of Classification Search** D13/101,
D13/107, 108, 110, 114, 118, 133, 146, 147,
D13/153, 154, 199; 320/110-115; 362/427,
362/404, 406, 804, 287; 363/146; 336/92;
439/489, 502, 505, 578, 607-610, 623, 680,
439/686

See application file for complete search history.

(56) **References Cited**

U.S. PATENT DOCUMENTS

D321,503 S * 11/1991 Ditzig D13/133

D487,147 S * 2/2004 Ellingboe et al. D24/129
D516,032 S * 2/2006 Suckle et al. D13/147
D520,459 S * 5/2006 Kent et al. D13/156
D555,094 S * 11/2007 Victor D13/133
D586,750 S * 2/2009 Li D13/133

* cited by examiner

Primary Examiner—Thomas J Johannes

(74) *Attorney, Agent, or Firm*—Foley & Lardner LLP

(57) **CLAIM**

We claim the ornamental design for male electrical connector component, as shown and described.

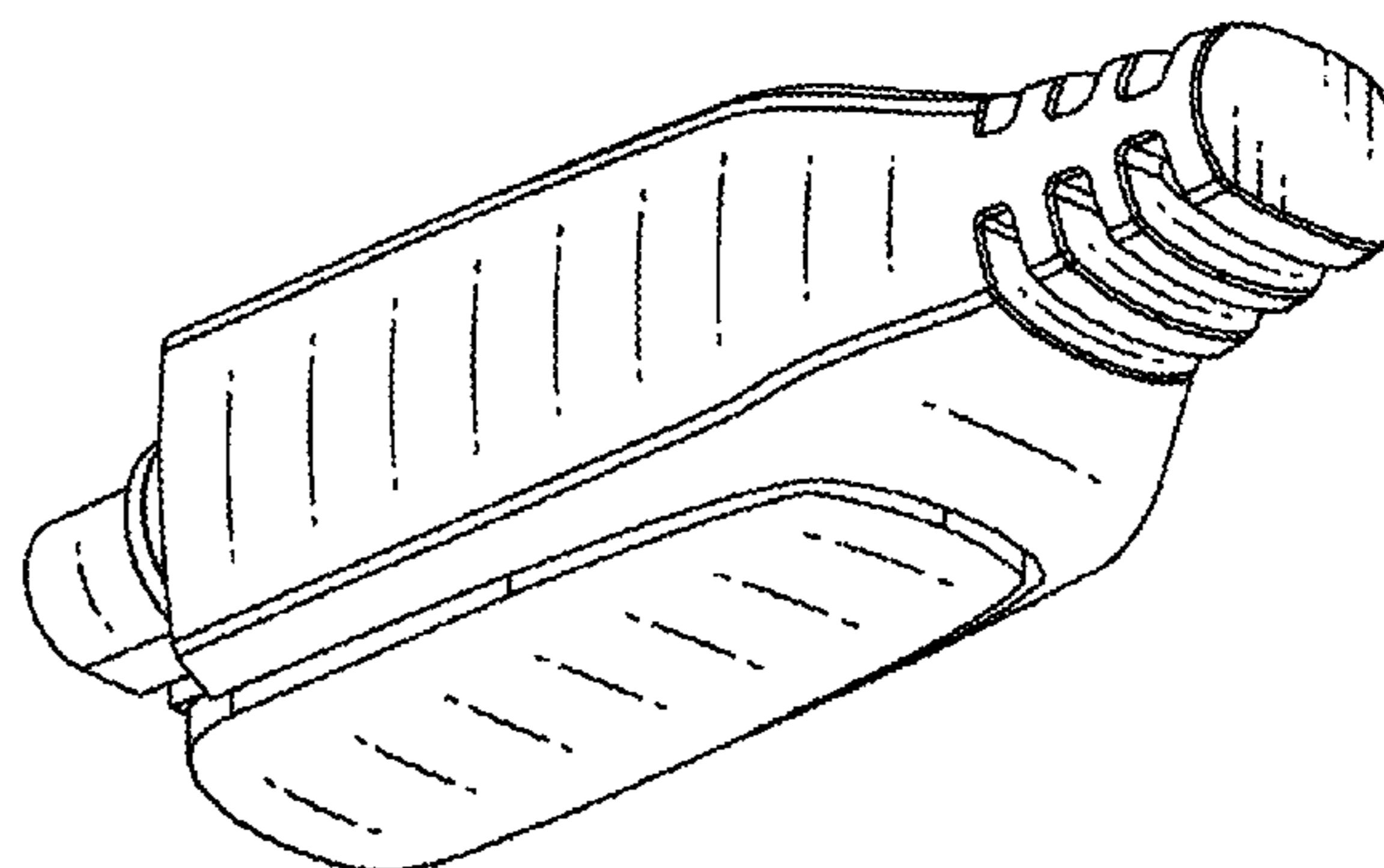
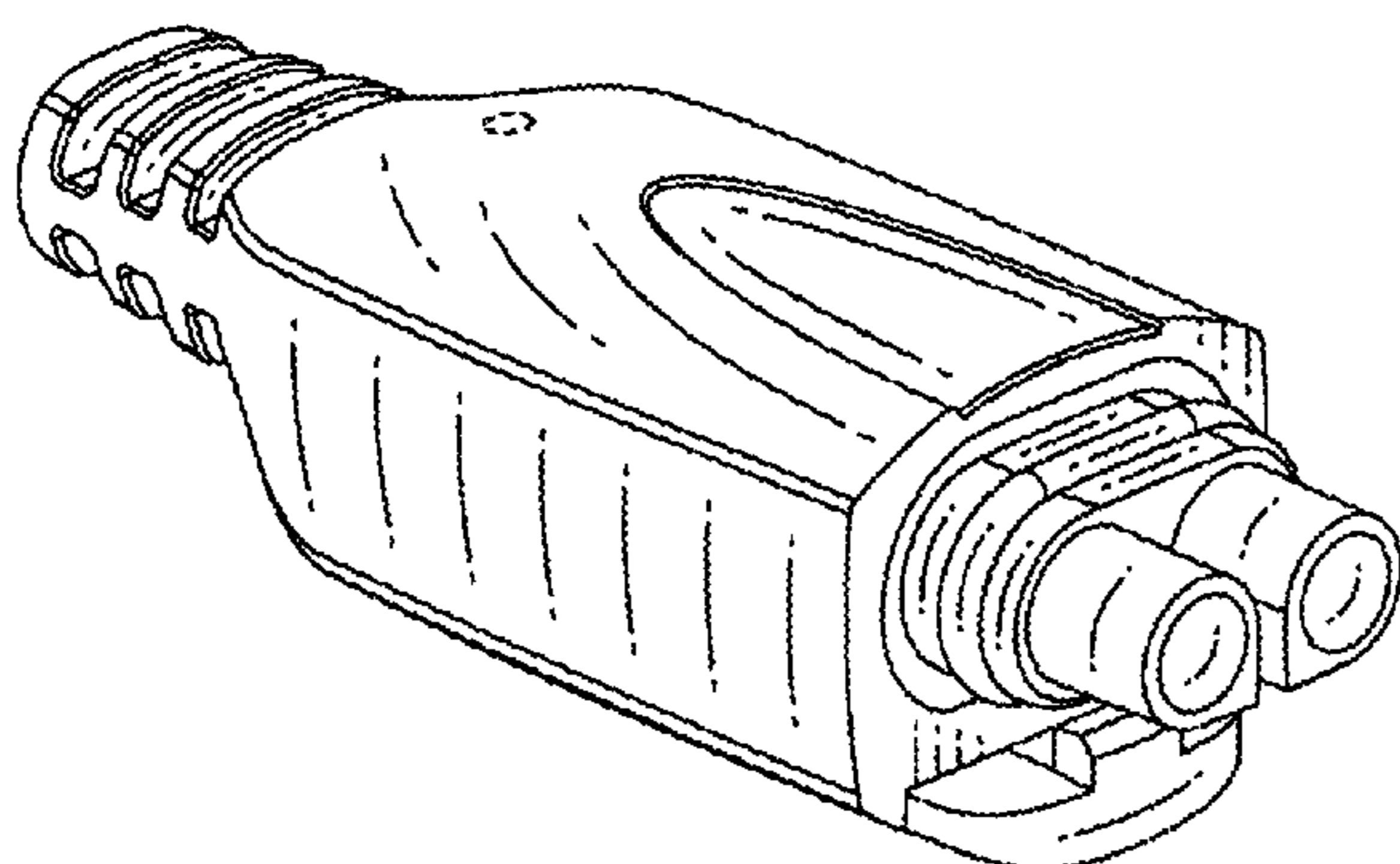
DESCRIPTION

FIG. 1 is a front, top, left-sided perspective view of a male electrical connector component showing our new design; FIG. 2 is a rear view thereof; FIG. 3 is a front view thereof; FIG. 4 is a left side view thereof; FIG. 5 is a right side view thereof; FIG. 6 is a bottom view thereof; FIG. 7 is a top view thereof; and, FIG. 8 is a bottom, rear, right-side view thereof.

The broken line portion of the figure drawings is included to show unclaimed subject matter only and forms no part of the claimed design.

1 Claim, 8 Drawing Sheets

Matter enclosed in heavy brackets [] appears in the original patent, but forms no part of this reissue; matter printed in italics indicates the additions made by reissue.



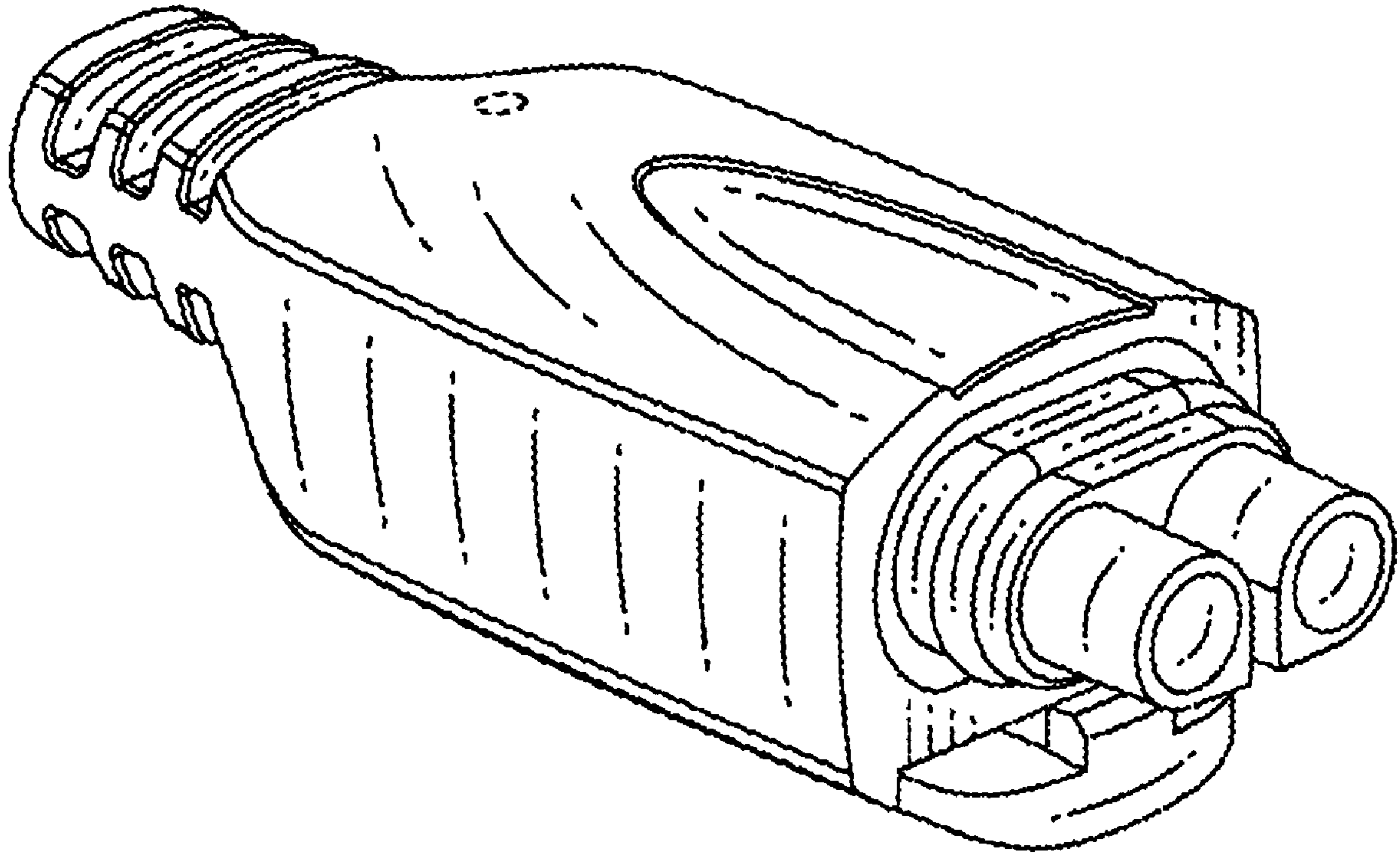


FIG. 1

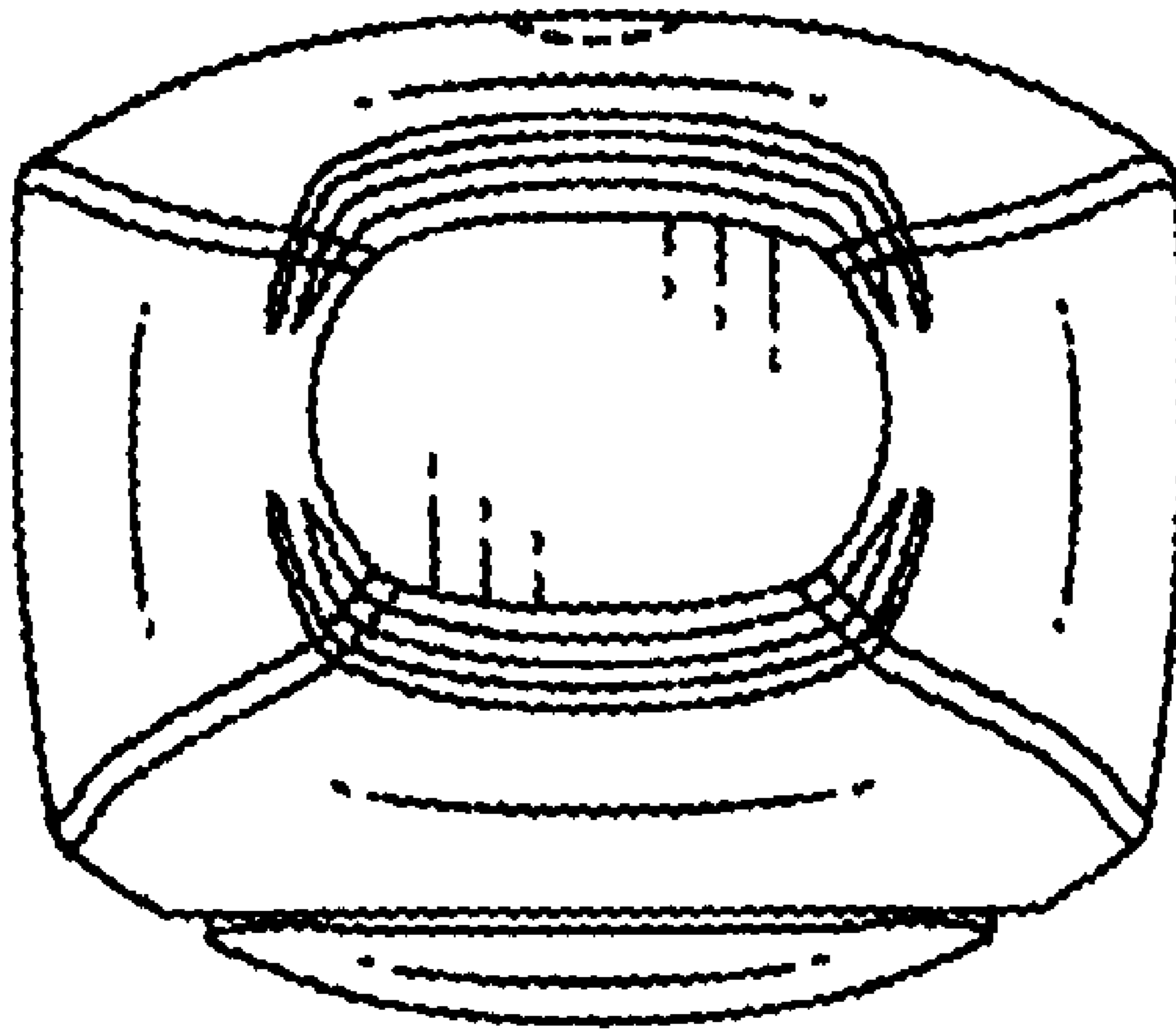


FIG. 2

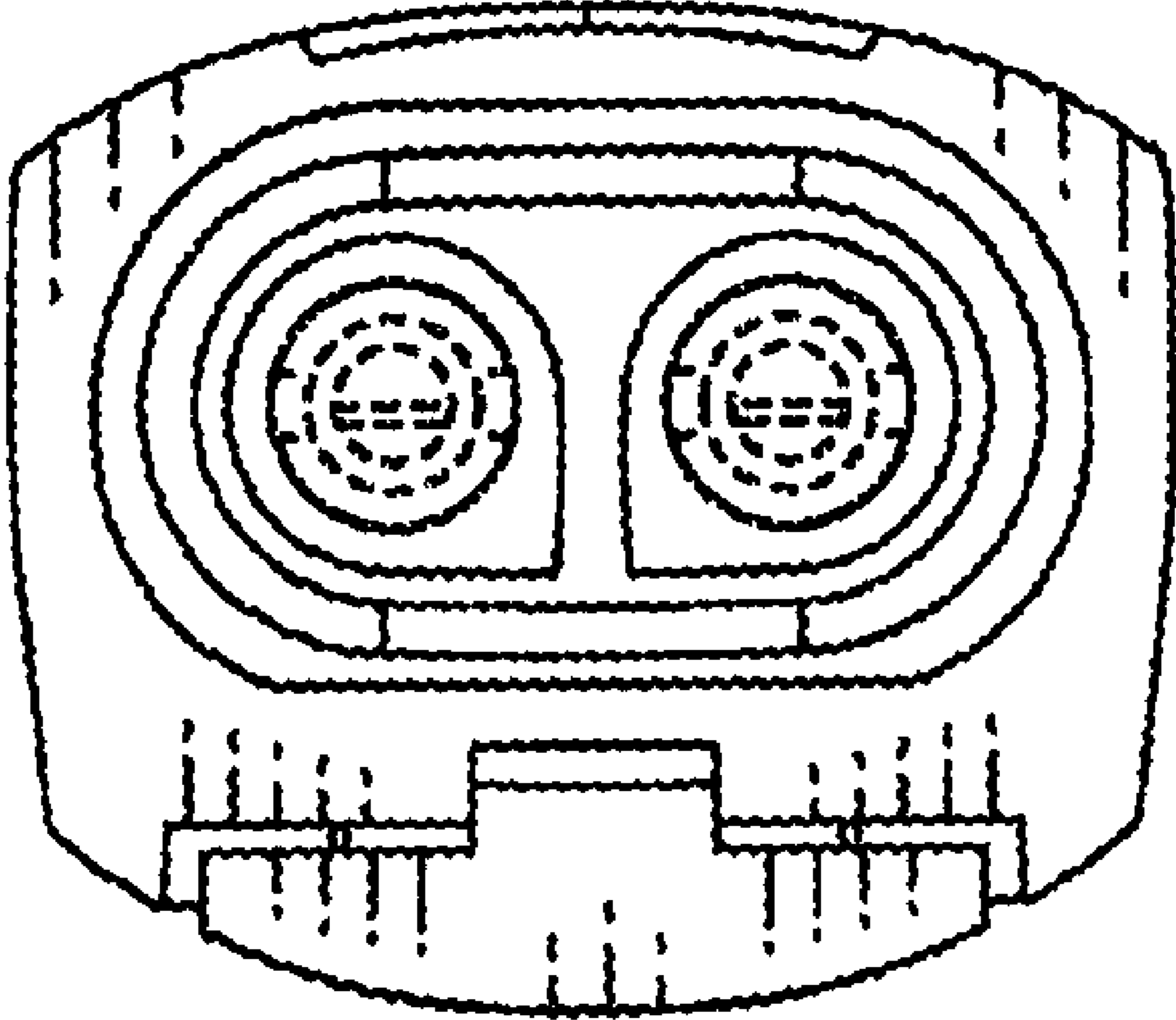


FIG. 3

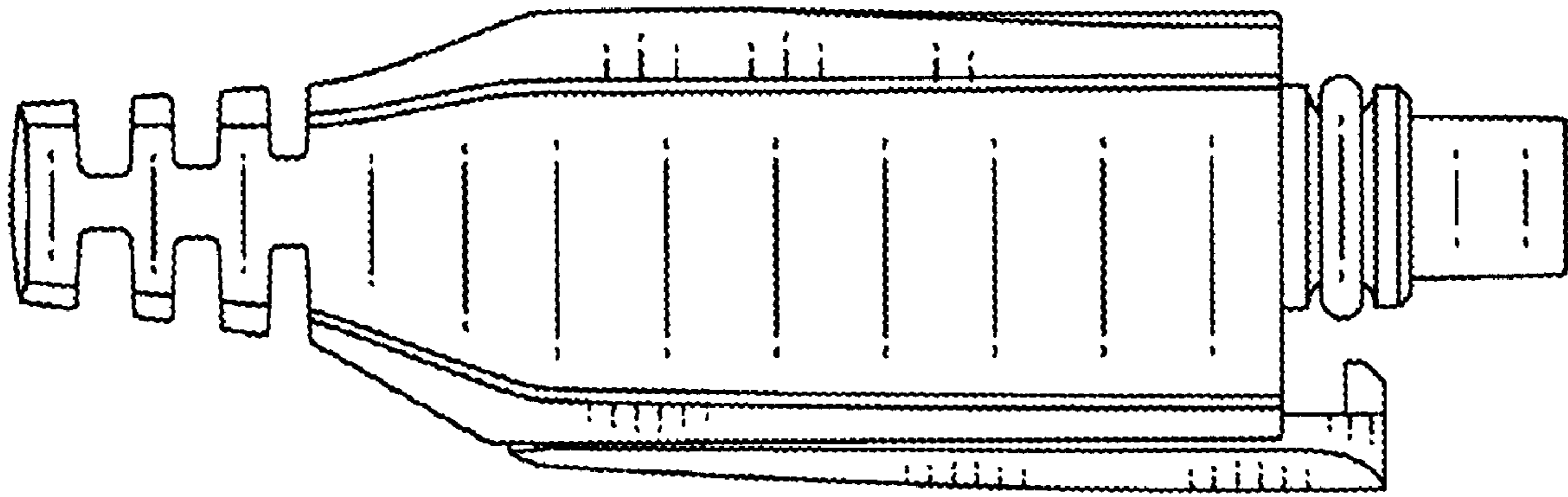


FIG. 4

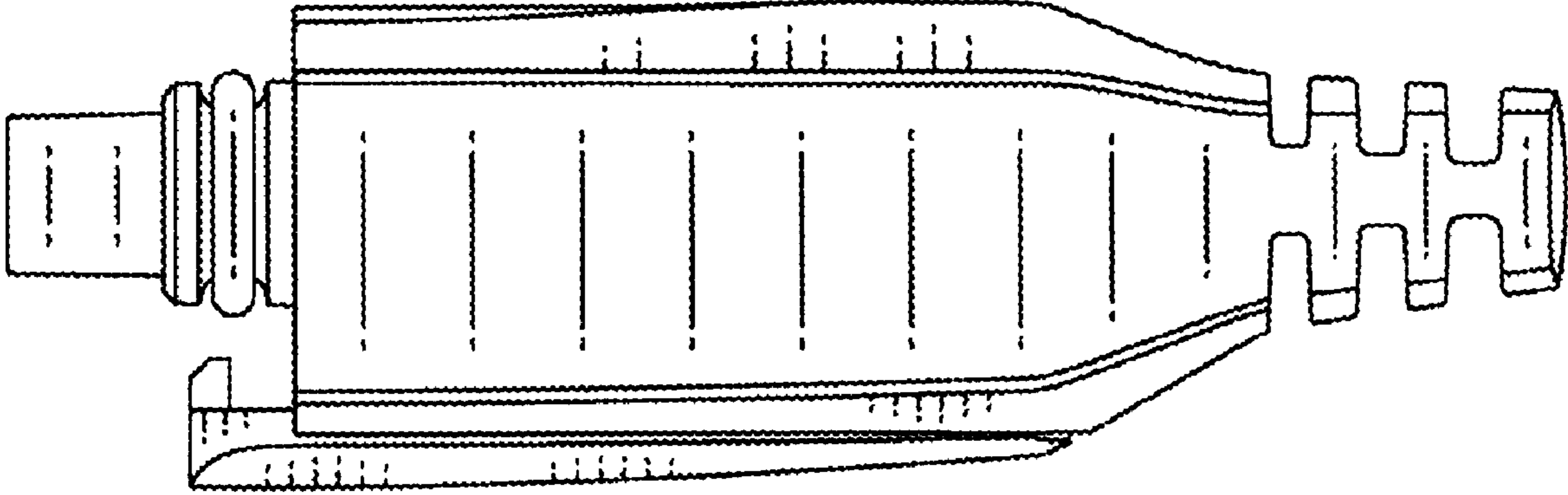


FIG. 5

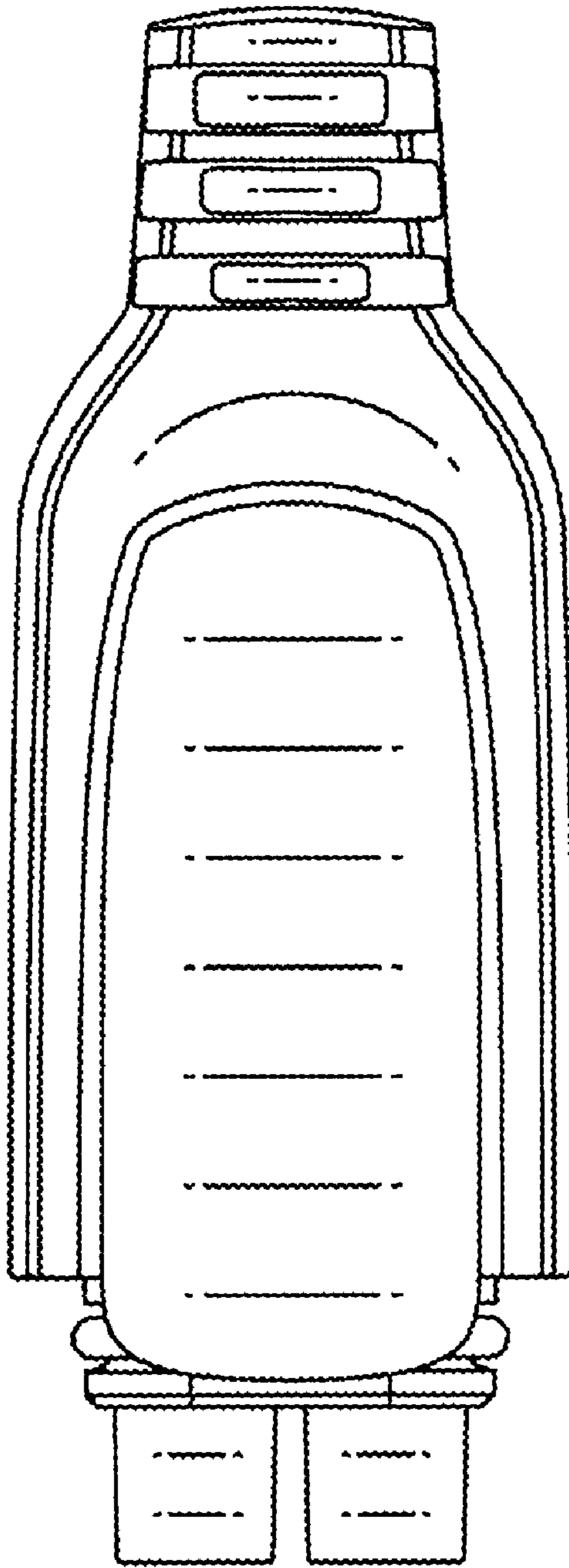


FIG. 6

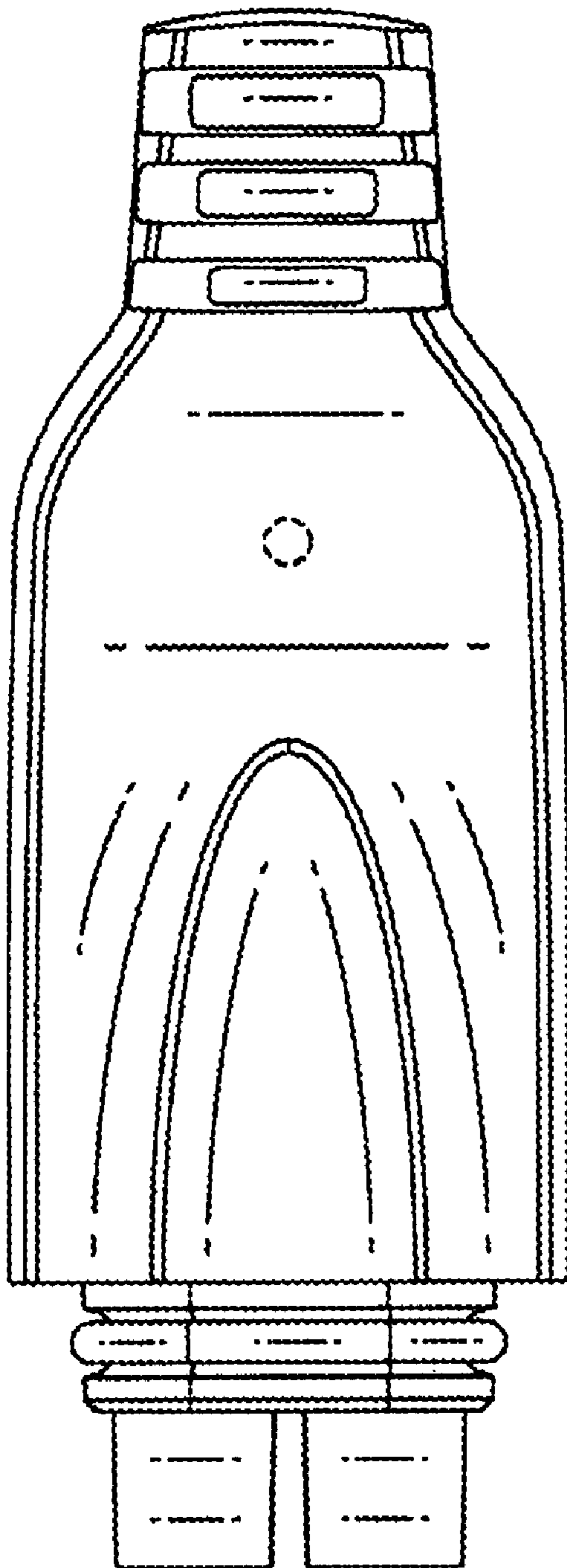


FIG. 7

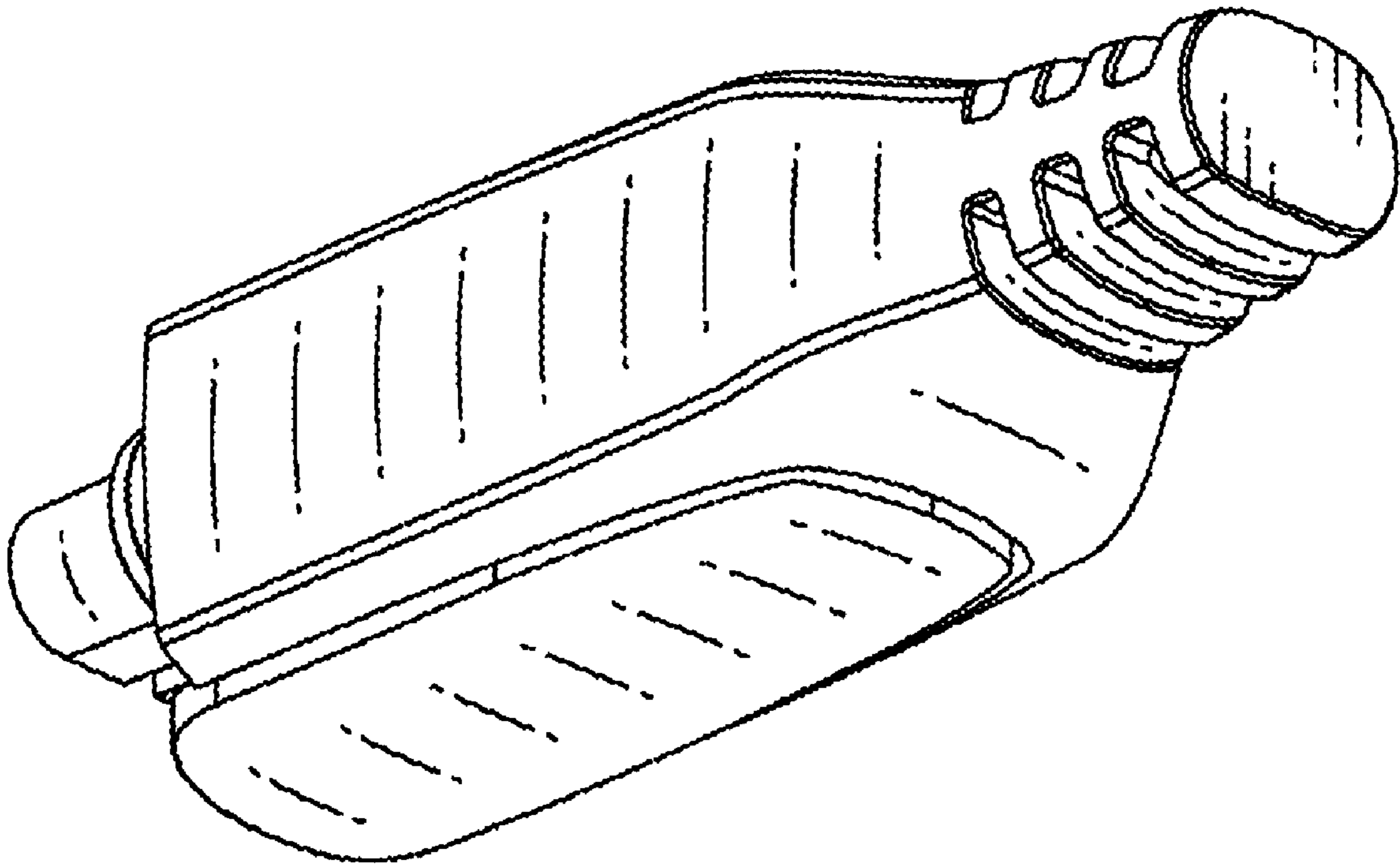


FIG. 8